

T1055III Commander Tractor

Parts Manual



Publish Date Tue, 18 Aug 2020
Serial No.
Order No. 105400YDG



Vermeer

EQUIPPED TO
DO MORE.

Provided for Free by Trenchwell.com
Shop Aftermarket Parts

HOW TO USE THE MANUAL

This manual contains illustrations and parts lists of components and assemblies which make up the machine. Each page consists of the name of the assembly or component, a figure number, reference numbers, part numbers, part names, and the quantities of the parts used.

Assembly or component name helps identify the illustration and parts list for each figure. This name also helps locate the general area of the machine where the assembly or component can be located.

Figure numbers are used to identify each assembly or component and to group these assemblies or components into major categories.

Reference numbers shown in a column refer to the numbered parts in the illustration. This ties the part in the illustration to the part number and description in the parts list.

Part numbers are used to identify individual parts or part assemblies.

Part descriptions provide the name of the part, plus additional information such as dimensional specifications and what parts are grouped together to form part assemblies, which helps you identify the part(s).

Quantities listed for each figure are only for that assembly or component and not the total used per machine.

This parts manual is not intended to be a complete guide for machine service or repairs. Contact your Vermeer dealer for any of your service or technical requirements.

ORDERING PARTS

Parts for repair or replacement are available through our network of authorized dealers located throughout the world.

Use only authorized Vermeer parts for repair or replacement. Always give the serial number and

model number of the machine for which parts are being ordered. When ordering parts for component(s), which are not manufactured by Vermeer Corporation, also give the serial number of that component(s). Order all parts by part number, part name, and quantity needed.

UPDATING AND REORDERING MANUALS

The parts lists, illustrations, and specifications in this manual are based on the latest information available at time of publication. Your machine may have product improvements and options not yet contained in this manual.

Vermeer Corporation reserves the right to make changes at any time without notice or obligation to you.

Your dealer will receive notice of these changes and can assist you with accurate parts identification when ordering.

A copy of this manual is supplied with each machine. Additional copies are available through your dealer. When ordering additional manuals, use the reorder number listed on the front cover and the quantity needed.

NOTICE TO OWNER

Replacement manuals are free of charge by registering your **used** Vermeer machine. Your machine's Operator's, Maintenance and Parts Manuals may be available online at www.myvermeer.com. For questions about online or printed manuals, or to register a used machine, contact the Customer Data Department by telephone: 800-829-0051 or 641-628-3141; email: dataanalytics@vermeer.com; internet: www.vermeer.com or www.myvermeer.com; or, letter: Customer Data Dept., Vermeer Corporation, PO Box 200, Pella IA 50219 USA.

Provided for Free by Trenchwell.com
Shop Aftermarket Parts

Decals/Resource Library - Section 01

Decals-Cosmetic (SN 550-572)	01-01
Decals-Cosmetic (SN 573-)	01-01R01
Decals-Controls (SN 550-557)	01-02
Decals-Controls (SN 558-577)	01-02R01
Decals-Controls (SN 578-)	01-02R02
Decals-Safety/Domestic	01-03
Decals-Safety/International	01-04
Decals-Miscellaneous (SN 550-557)	01-05
Decals-Miscellaneous (SN 558)	01-05R01
Decals-Miscellaneous (SN 559-)	01-05R02
Literature Box	01-06
Literature Library	01-07
Quick Reference Guide	01-08

Maintenance Items - Section 02

Hydraulic Supplies	02-01
Lubricants	02-02
DRC Connectors	02-03
DT Connectors	02-04
DTHD Connectors/HDFB Modules	02-05
Diode/Buss Blocks	02-06
Electrical Tooling	02-07

Frame & Shields - Section 03

Main Frame	03-01
Radiator Wrap-Tier 3	03-02
Radiator Wrap-Tier 4 Final	03-03
Radiator Door Fill (SN 550-558)	03-04
Radiator Door Fill (SN 559-)	03-04R01
Top Shields-Tier 3	03-05
Top Shields-Tier 4 Final	03-06
Side Shields	03-07
Side Shield-Left	03-08
Toolbox-Tier 3	03-09
Toolbox-Tier 4 Final	03-10

Undercarriage - Section 04

Left Track	04-01
Right Track	04-02
Left Track Tensioner (SN 550-577)	04-03

Provided for Free by Trenchwell.com
Shop Aftermarket Parts

Table of Contents

T1055 Commander 3 Tractor (SN 550-)

Left Track Tensioner (SN 578-)	04-03R01
Right Track Tensioner (SN 550-577)	04-04
Breakdown-Track Tension Cylinder (SN 550-577)	04-04T01
Right Track Tensioner (SN 578-)	04-04R01
Breakdown-Track Tension Cylinder (SN 578-)	04-04T01R01
Track Gearbox	04-05
Breakdown-Planetary	04-05T01
Track Chain	04-06
Engine/Drive - Section 05	
Engine-Tier 3	05-01
Breakdown-Tier 3 Engine	05-01T01
Engine-Tier 4 Final (SN 550-572)	05-02
Breakdown-Tier 4 Final Engine - 1 (SN 550-572)	05-02T01
Breakdown-Tier 4 Final Engine - 2 (SN 550-572)	05-02T02
Engine-Tier 4 Final / Stage V (SN 573-)	05-02R01
Breakdown-Tier 4 Final / Stage V Engine - 1 (SN 573-)	05-02T01R01
Breakdown-Tier 4 Final / Stage V Engine - 2 (SN 573-)	05-02T02R01
Heater\Shut-Off Fittings	05-02X01
Pump Drive	05-03
Breakdown-Pump Drive	05-03T01
Alternator-Tier 4 Final	05-04
Subframe-Tier 3 Engine	05-05
Subframe-Tier 4 Final Engine	05-06
Tier 4 Final Aftertreatment Frame	05-07
Anti-Recirculation-Tier 3	05-08
Anti-Recirculation-Tier 4 Final	05-09
Radiator-Tier 3	05-10
Breakdown-Radiator Tier 3	05-10T01
Radiator Hoses-Tier 3	05-11
Shroud-Tier 3	05-12
CAC Tubes-Tier 3	05-13
Radiator-Tier 4 Final (SN 550-553)	05-14
Breakdown-Tier 4 Final Radiator (SN 550-553)	05-14T01
Radiator - Tier 4 Final (SN 554-)	05-14R01
Breakdown-Tier 4 Final Radiator (SN 554-)	05-14T01R01
Shroud\Finger Guard-Tier 4 final	05-15
Engine Air Cleaner-Tier 3	05-16
Breakdown-Tier 3 Engine Air Cleaner	05-16T01
Air Cleaner-Tier 4 Final	05-17
Breakdown-Tier 4 Final Air Cleaner	05-17T01

Provided for Free by Trenchwell.com
Shop Aftermarket Parts

Table of Contents

T1055 Commander 3 Tractor (SN 550-)

Muffler-Tier 3	05-18
Exhaust Tube-Tier 4 Final	05-19
Fuel Tank (SN 550-572)	05-20
Fuel Tank (SN 573-)	05-20R01
Breakdown-Fuel Tank	05-20T01
Fuel lines-Tier 3	05-21
Fuel lines-Tier 4	05-22
Pump Drive Oil Cooler (SN 550-580)	05-23
Pump Drive Oil Cooler (SN 581-)	05-23R01
Hose Diagram-Pump Drive	05-24
Ether Kit-Tier 3	05-25
Air Cooler/Aftertreatment Tubes-Tier 4 Final	05-26
Air Cooler Tubes-Tier 4 Final	05-27
CAC Tubes-Tier 3	05-28
Ether Kit-Tier 4 final	05-29
Radiator Hoses & Fittings-Tier 4 Final	05-30
Fuel Cooler Fittings-Tier 3	05-31
Fuel Cooler Fittings-Tier 4 Final	05-32
Hydraulics - Section 06	
Hose Diagram-Tier 3 Ground Drive	06-01
Hose Diagram-Tier 4 Final Ground Drive	06-02
Hose Diagram-Implement	06-03
Hose Diagram-Tier 3 Flushing	06-04
Hose Diagram-Tier 4 Flushing	06-05
Hose Diagram-Tier 3 Attachment Drive	06-06
Hose Diagram-Tier 4 Final Attachment Drive	06-07
Hydraulic Oil Tank (SN 550-572)	06-08
Hydraulic Oil Tank (SN 573-)	06-08R01
Breakdown-Hydraulic Oil Tank (SN 550-560)	06-08T01
Breakdown-Hydraulic Oil Tank (SN 561-)	06-08T01R01
Hydraulic Oil Tank Plumbing	06-09
Attachment Drive Pumps-180cc	06-10
Breakdown-Attachment Pump	06-10T01
Ground Drive Pumps-75cc	06-11
Breakdown-Ground Drive Pump	06-11T01
Implement Pump	06-12
Flushing Pump	06-13
Ground Drive Motor (SN 550-575)	06-14
Ground Drive Motor (SN 576-)	06-14R01
Breakdown-Ground Drive Motor	06-14T01

Provided for Free by Trenchwell.com
Shop Aftermarket Parts

Table of Contents

T1055 Commander 3 Tractor (SN 550-)

Remote Hydraulic Filter-Tier 3	06-15
Remote Hydraulic Filter-Tier 4 Final (SN 550-560)	06-16
Remote Hydraulic Filter-Tier 4 (SN 561-)	06-16R01
Breakdown-Filter (SN 261-)	06-16T01
Auxiliary Lock Valve	06-17
Two-Speed Brake Valve	06-18
Control Valve	06-19
Breakdown-8 Spool Control Valve	06-19T01
Attachment Manifold	06-20
Hydraulic Manifold-Tier 3	06-21
Hydraulic Manifold-Tier 4	06-21X01
Oil Cooler-Tier 3	06-22
Oil Cooler-Tier 4 Final	06-23
Cylinder-Boom Lift (SN 550-574)	06-24
Breakdown-Boom Lift Cylinder (SN 550-574)	06-24T01
Cylinder-Boom Lift (SN 575-576)	06-24R01
Cylinder-Boom Lift (SN 577-)	06-24R02
Breakdown-Boom Lift Cylinder (SN 575-)	06-24T01R01
Cab Lift Cylinder (SN 550-572)	06-25
Cab Lift Cylinder (SN 573-)	06-25R01
Breakdown - Cab Lift Cylinder (SN 573-)	06-25T01
Breakdown - Cylinder (SN 573-)	06-25T02
Diagnostic Pressure Check	06-26
Accumulator	06-27
Breakdown-Accumulator	06-27T01
Accumulator Charging Kit	06-28
Track Cylinder / Tension Valve	06-29
Auxiliary Hydraulics - Section 07	
Hose Diagram-Auxiliary Hydraulics	07-01
Auxiliary Pump	07-02
Auxiliary Valve	07-03
Breakdown-Auxiliary Valve	07-03T01
Auxiliary Couplers	07-04
Controls/Electrical - Section 08	
Dash (SN 550 - 557)	08-01
Dash (SN 558-)	08-01R01
Controls (SN 550-557)	08-02
Controls (SN 558-)	08-02R01
Controls-Additional Features (SN 550-557)	08-03

Provided for Free by Trenchwell.com
Shop Aftermarket Parts

Table of Contents

T1055 Commander 3 Tractor (SN 550-)

Controls-Additional Features (SN 558-)	08-03R01
Attachment Control	08-04
Steering Load Control	08-05
Key Panel (SN 550-557)	08-06
Key Panel (SN 558-577)	08-06R01
Key Panel (SN 578-)	08-06R02
Switch Panel (SN 550-557)	08-07
Switch Panel (SN 558-)	08-07R01
Boom Control	08-08
Throttle Switch	08-09
Throttle Switch Extension	08-10
Propel Panel	08-11
Conveyor Control	08-12
Main Controls-Tier 3	08-13
Main Controls-Tier 4	08-14
Fuel Relay-Tier 4 Final	08-14X01
Valve Controllers (SN 550-560)	08-15
Valve Controllers (SN 561-)	08-15R01
Engine Harness-Tier 3	08-16
Engine Harness-Tier 3	08-16X01
Can Back Bone \ Cab Harness-Tier 3	08-16X02
Engine Harness-Tier 4 Final	08-17
Engine Harness- Tier 4 Final	08-17X01
Tier 4 Final CEM Harness	08-17X02
Tier 4 Final PETU Harness	08-17X03
Left TRack Yellow PPU Harness	08-17X04
Right Track Tan PPU Harness	08-17X05
Extension / Backbone Harness	08-17X06
Dash Harness (SN 550-557)	08-17X07
Harness-Dash (SN 558-)	08-17X07R01
Dash Harness (SN 550-557)	08-17X08
Harness-Dash (SN 558-)	08-17X08R01
Can Backbone Machine Harness	08-17X09
Valve Harness	08-17X10
Valve Harness	08-17X11
Jumper Harness	08-17X12
Harness-Dash DP720 USB (SN 558-)	08-17X13
Fuse Box	08-18
Horn	08-19
Back-Up Alarm	08-20

Provided for Free by Trenchwell.com
Shop Aftermarket Parts

Table of Contents

T1055 Commander 3 Tractor (SN 550-)

Battery	08-21
Battery Disconnect	08-22
Cables	08-23
Wire Harness Bracket	08-24
Clutch Actuator-Tier 3	08-25
Clutch Actuator-Tier 4 Final	08-26
Wireless Attachment Control-Mount	08-27
Wireless Attachment Control-RAC	08-28
Wireless Attachment Control-Antenna	08-29
Wireless Attachment Control Base	08-30
Wireless Attachment Control-Harness	08-31
Wireless Attachment Control-Base Mount	08-32
Wireless Attachment Control-Hole Plug	08-33
Programming Tools	08-34
DEF Warning Light	08-35
Wireless Full Function Remote Beacon	08-36
Wireless Full Function Remote Control	08-37
Wireless Full Function Remote Base	08-38
Wireless Full Function Remote-Antenna	08-39
Wireless Full Remote Remote Control-Harness	08-40
Wireless Full function Remote Carrying Case	08-41
Wireless Full Function Remote Shipping Assembly	08-42
Telematics (SN 550-576)	08-43
Telematics (SN 577-)	08-43R01
TCU Adapter Harness (SN 550-576)	08-44
TCU Adapter Harness (SN 577-)	08-44R01
Cab - Section 09	
Seat	09-01
Cab Mount / Slide	09-02
Cab Mechanical Bar Stop Latch	09-03
Step	09-04
Cab-Folding	09-05
Cab-Front Half	09-06
Cab - ROPS	09-06X01
Cab-Rear Half	09-07
Breakdown-Cab Door	09-07T01
Wiper Motor	09-08
Overhead Console	09-09
Breakdown-Heater \ AC Unit	09-09T01
Air Cleaner / Blower (SN 550-569)	09-10

Provided for Free by Trenchwell.com
Shop Aftermarket Parts

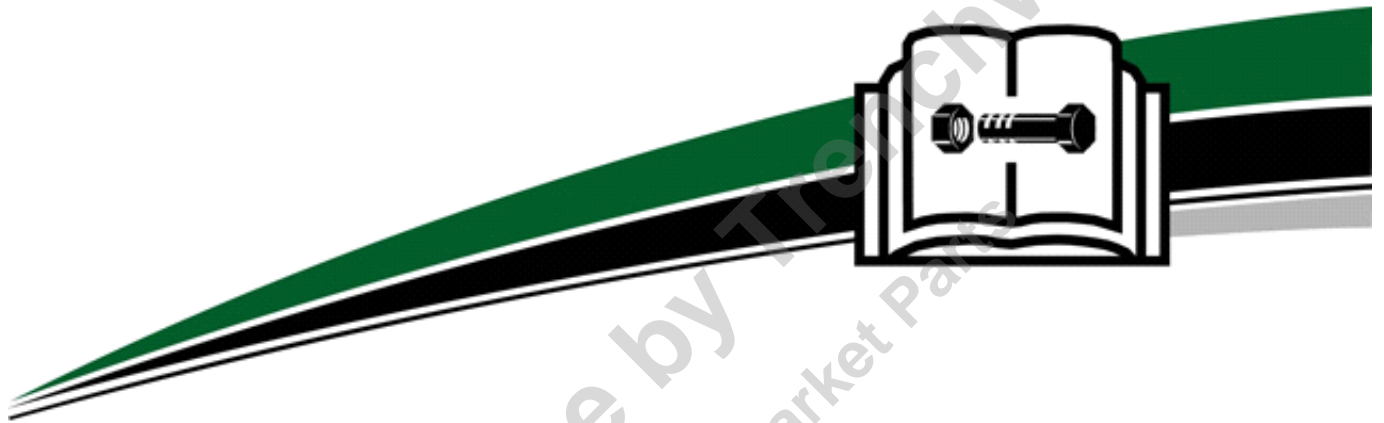
Table of Contents

T1055 Commander 3 Tractor (SN 550-)

Breakdown-Cab Air Cleaner (SN 550-569)	09-10T01
Air Cleaner / Blower (SN 570-)	09-10R01
Breakdown-Cab Air Cleaner (SN 570-)	09-10T01R01
Radio And Power Outlet	09-11
Air Conditioning Condenser	09-12
Reciever / Dryer	09-13
Compressor / Air Conditioner-Tier 3	09-14
Tier 4 Final AC / Compressor	09-15
Hose diagram-Tier 3 AC Heater	09-16
Hose Diagram-Tier 4 Final A/C Heater	09-17

Provided for Free by Trenchwell.com
Shop Aftermarket Parts

Decals/Resource Library



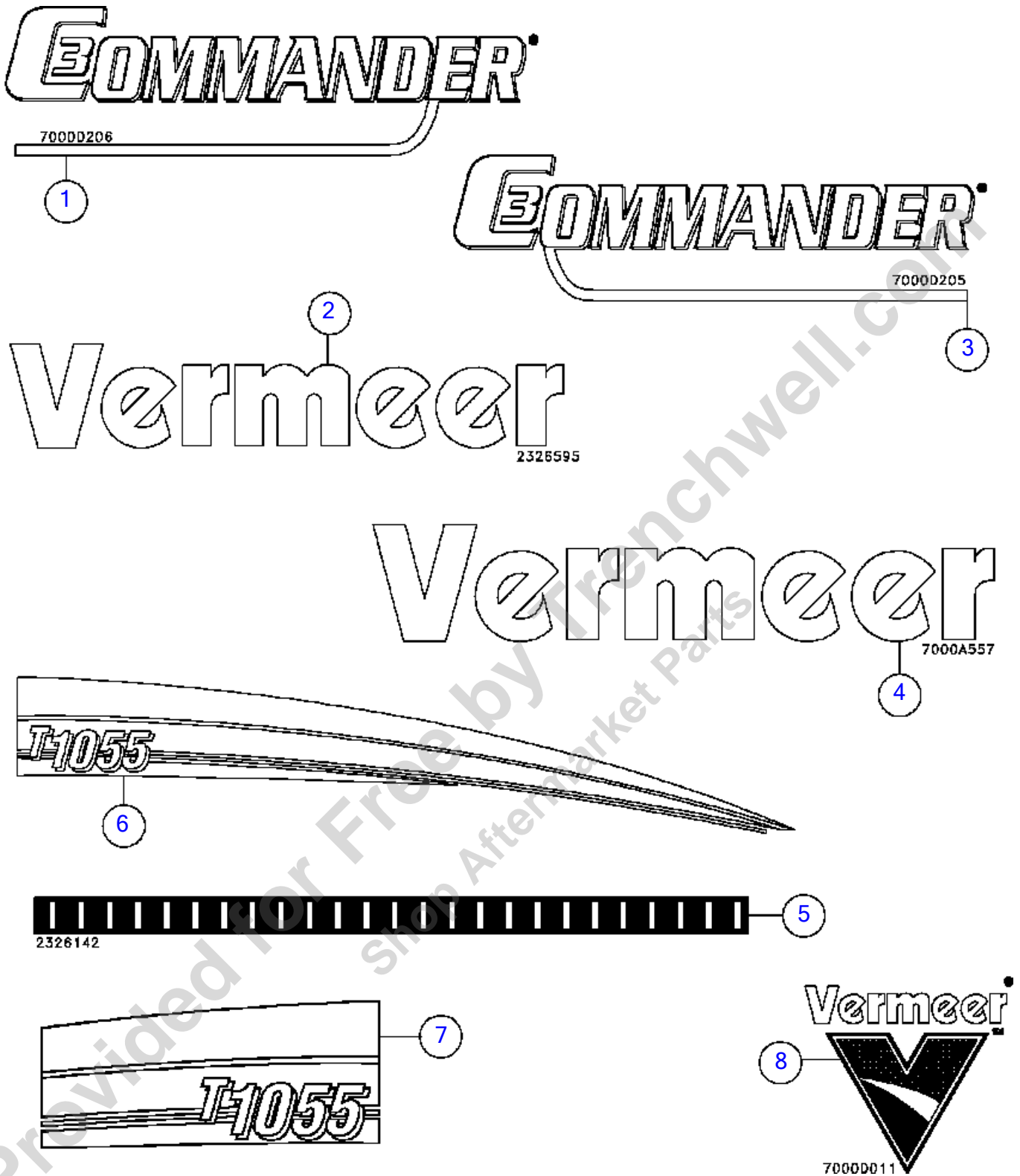
Decals/Resource Library

Decals-Cosmetic (SN 550-572)	Fig	01-01
Decals-Cosmetic (SN 573-)	Fig	01-01R01
Decals-Controls (SN 550-557)	Fig	01-02
Decals-Controls (SN 558-577)	Fig	01-02R01
Decals-Controls (SN 578-)	Fig	01-02R02
Decals-Safety/Domestic	Fig	01-03
Decals-Safety/International	Fig	01-04
Decals-Miscellaneous (SN 550-557)	Fig	01-05
Decals-Miscellaneous (SN 558)	Fig	01-05R01
Decals-Miscellaneous (SN 559-)	Fig	01-05R02
Literature Box	Fig	01-06
Literature Library	Fig	01-07
Quick Reference Guide	Fig	01-08

Provided for Free by Trenchwell.com
Shop Aftermarket Parts

Decals-Cosmetic (SN 550-572)

Fig 01-01



Decals-Cosmetic (SN 550-572)

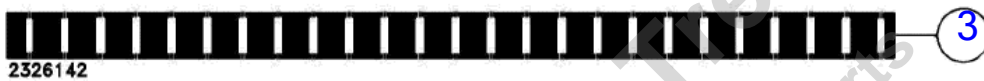
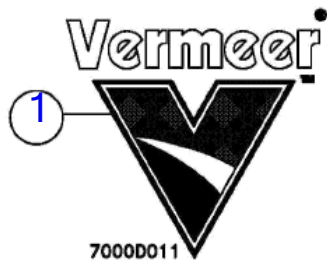
Fig 01-01

REF NO.	PART NO.	DESCRIPTION	QTY.	REMARKS
1	7000D206	DECAL-COMMANDER (CAB SIDE)	1	
2	7000B059	DECAL - VERMEER 6"	2	
3	7000D205	DECAL-COMMANDER (NON-CAB SIDE)	1	
4	7000A557	VERMEER DECAL(WHITE)	1	
5	2326142	DECAL-INDICATOR	1	
6	7000C966	DECAL-T1055 RIGHT SIDE STRIPE	1	
7	7000C967	DECAL-T1055 LEFT SIDE STRIPE	1	
8	7000D011	DECAL-"V" (15 X 15)	1	

Provided for Free by Trenchwell.com
Shop Aftermarket Parts

Decals-Cosmetic (SN 573-)

Fig 01-01R01



Decals-Cosmetic (SN 573-)

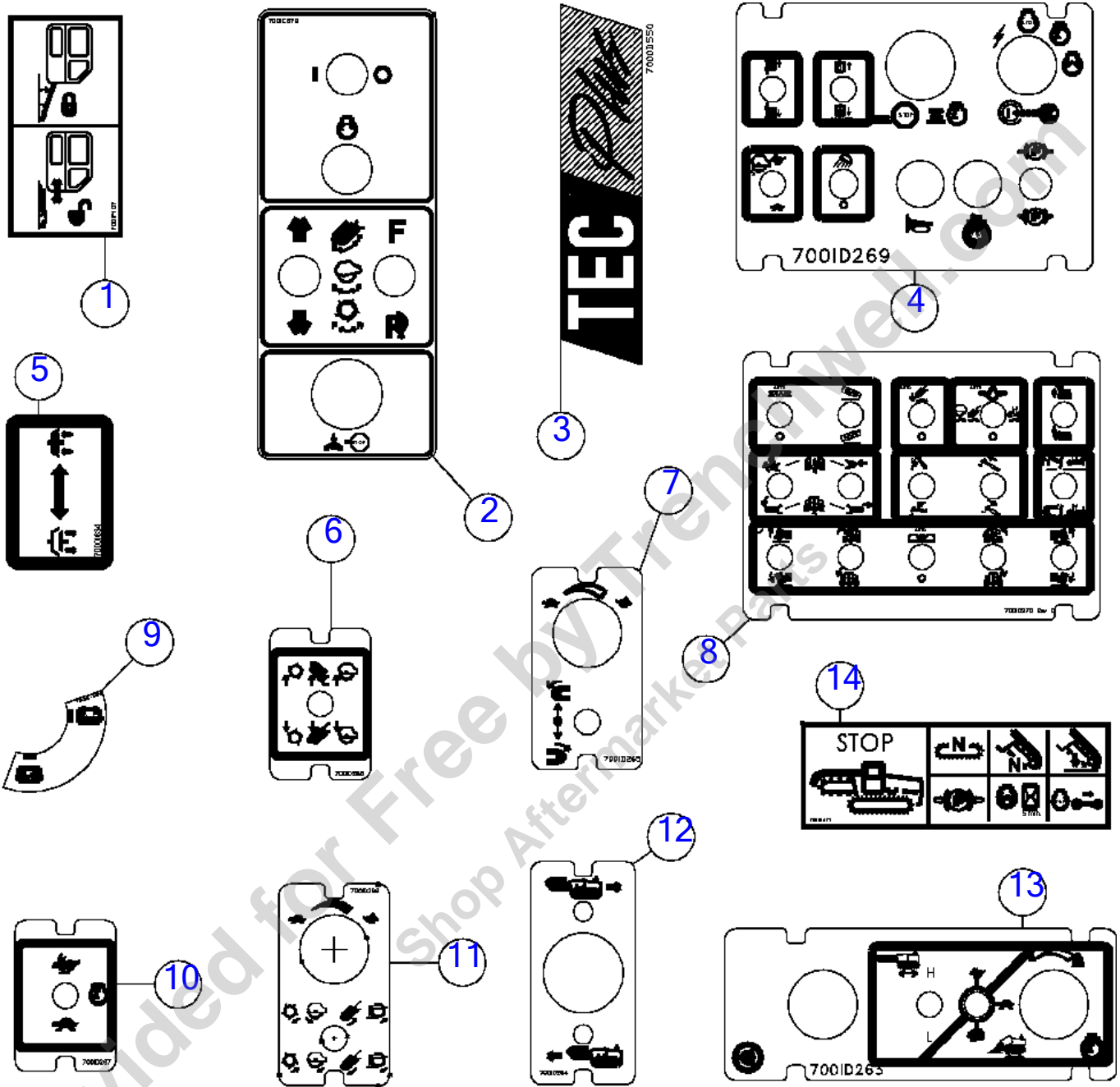
Fig 01-01R01

REF NO.	PART NO.	DESCRIPTION	QTY.	REMARKS
1	7000D011	DECAL-"V" (15 X 15)	1	
2	7000A557	VERMEER DECAL(WHITE)	1	
3	2326142	DECAL-INDICATOR	1	
4	7000H609	DECAL-T1055 IMPACT STRIPE	1	
5	7000H610	DECAL-T1055 IMPACT STRIPE	1	

Provided for Free by Trenchwell.com
Shop Aftermarket Parts

Decals-Controls (SN 550-557)

Fig 01-02



Decals-Controls (SN 550-557)

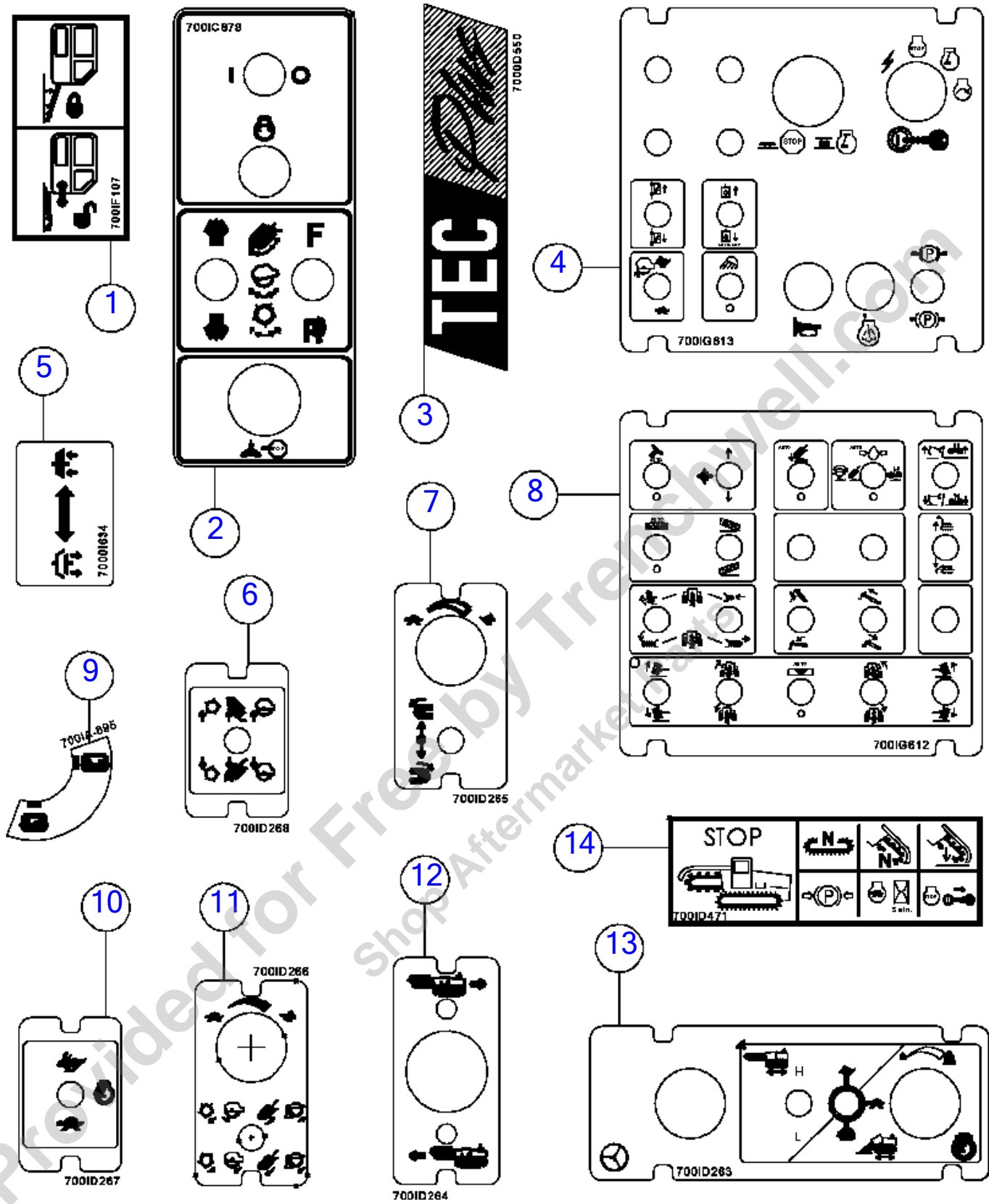
Fig 01-02

REF NO.	PART NO.	DESCRIPTION	QTY.	REMARKS
1	700IF107	DECAL-CAB LIFT LOCK	1	
2	700IC879	DECAL-REMOTE ATTACHMENT CONTROL	1	
3	7000D550	DECAL-TEC PLUS	1	
4	700ID269	DECAL-KEY PANEL	1	
5	7000I634	DECAL-CONTROL CLUTCH	1	
6	700ID268	DECAL-BOOM SWITCH	1	
7	700ID265	DECAL-CONVEYOR CONTROL	1	
8	700ID270	DECAL-SWITCH PANEL	1	Decal Illustration Update
9	700IA695	DECAL-BATTERY DISCONNECT	1	
10	700ID267	DECAL-THROTTLE CONTROL	1	
11	700ID266	DECAL-ATTACHMENT CONTROLS	1	
12	700ID264	DECAL-PROPEL HANDLE	1	
13	700ID263	DECAL-STEERING PANEL	1	
14	700ID471	DECAL-SHUT DOWN PROCEDURE	1	

Provided for Free by Trenchwell.com
 Shop Aftermarket Parts

Decals-Controls (SN 558-577)

Fig 01-02R01



Decals-Controls (SN 558-577)

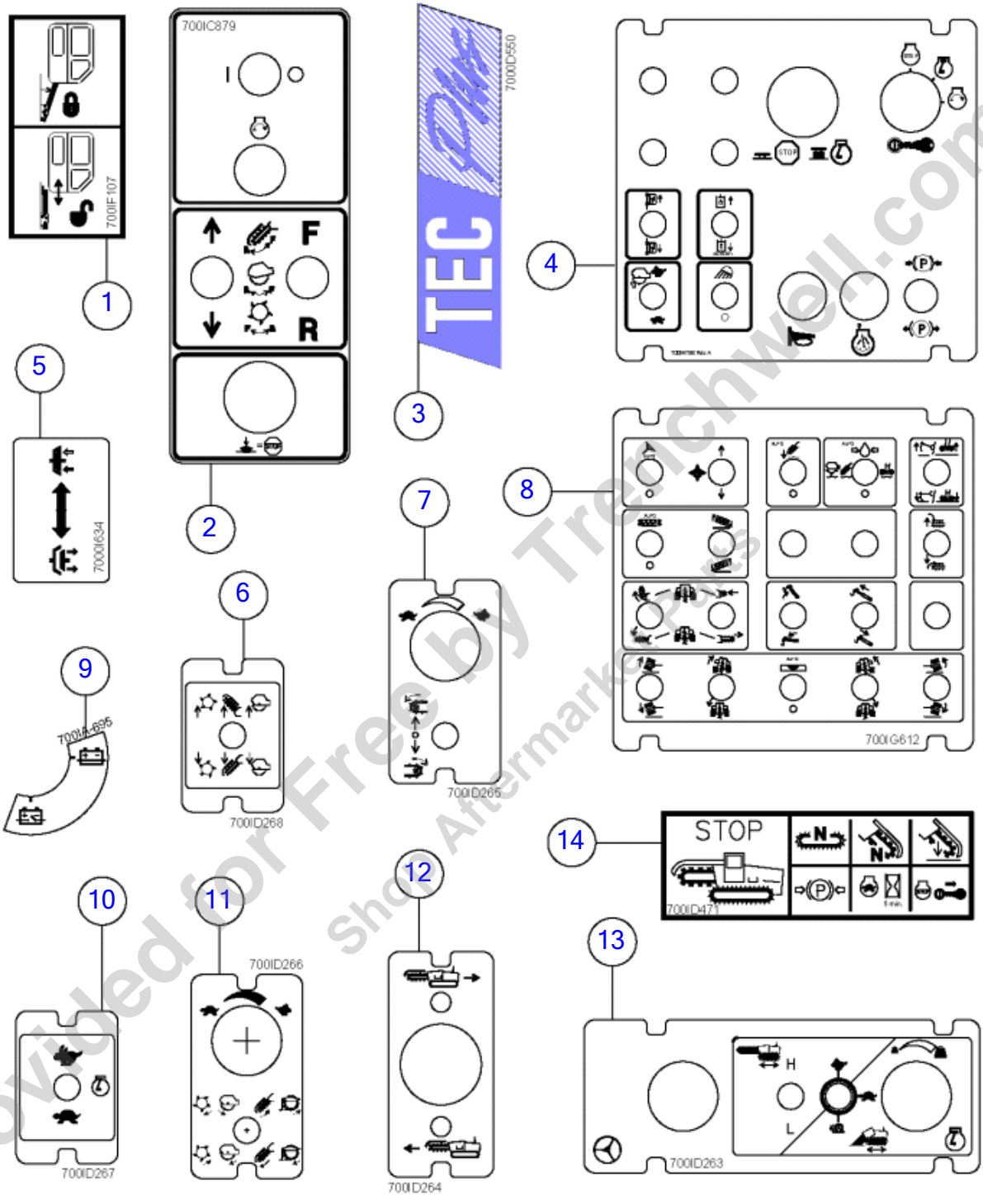
Fig 01-02R01

REF NO.	PART NO.	DESCRIPTION	QTY.	REMARKS
1	700IF107	DECAL-CAB LIFT LOCK	1	
2	700IC879	DECAL-REMOTE ATTACHMENT CONTROL	1	
3	7000D550	DECAL-TEC PLUS	1	
4	700IG613	DECAL-KEY SWITCH MODULE	1	
5	7000I634	DECAL-CONTROL CLUTCH	1	
6	700ID268	DECAL-BOOM SWITCH	1	
7	700ID265	DECAL-CONVEYOR CONTROL	1	
8	700IG612	DECAL-SWITCH BAY MODULE	1	
9	700IA695	DECAL-BATTERY DISCONNECT	1	
10	700ID267	DECAL-THROTTLE CONTROL	1	
11	700ID266	DECAL-ATTACHMENT CONTROLS	1	
12	700ID264	DECAL-PROPEL HANDLE	1	
13	700ID263	DECAL-STEERING PANEL	1	
14	700ID471	DECAL-SHUT DOWN PROCEDURE	1	

Provided for Free by Trenchwell.com
Shop Aftermarket Parts

Decals-Controls (SN 578-)

Fig 01-02R02



Decals-Controls (SN 578-)

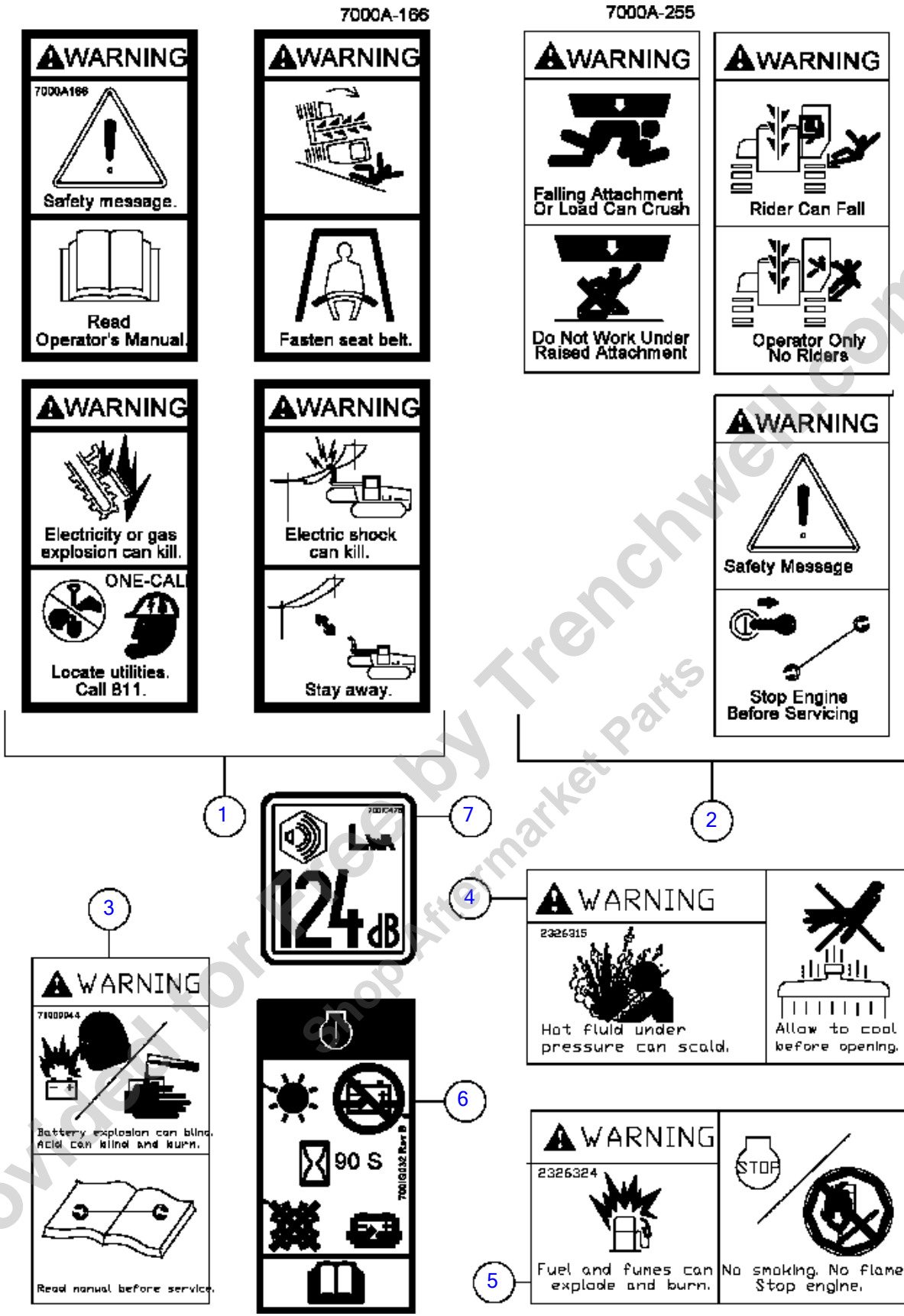
Fig 01-02R02

REF NO.	PART NO.	DESCRIPTION	QTY.	REMARKS
1	700IF107	DECAL-CAB LIFT LOCK	1	
2	700IC879	DECAL-REMOTE ATTACHMENT CONTROL	1	
3	7000D550	DECAL-TEC PLUS	1	
4	700IH798	DECAL-KEY SWITCH MODULE	1	
5	7000I634	DECAL-CONTROL CLUTCH	1	
6	700ID268	DECAL-BOOM SWITCH	1	
7	700ID265	DECAL-CONVEYOR CONTROL	1	
8	700IG612	DECAL-SWITCH BAY MODULE	1	
9	700IA695	DECAL-BATTERY DISCONNECT	1	
10	700ID267	DECAL-THROTTLE CONTROL	1	
11	700ID266	DECAL-ATTACHMENT CONTROLS	1	
12	700ID264	DECAL-PROPEL HANDLE	1	
13	700ID263	DECAL-STEERING PANEL	1	
14	700ID471	DECAL-SHUT DOWN PROCEDURE	1	

Provided for Free by Trenchwell.com
Shop Aftermarket Parts

Decals-Safety/Domestic

Fig 01-03



Decals-Safety/Domestic

Fig 01-03

REF NO.	PART NO.	DESCRIPTION	QTY.	REMARKS
1	7000A166	DECAL-WARNING (AT)	1	
2	7000A255	DECAL-WARNING (AT)	1	
3	7000I044	DECAL-WARNING	1	
4	2326I315	DECAL-WARNING	1	
5	2326I324	DECAL - WARNING EXPLOSION	1	
6	700IG032	DECAL-BATTERY DISCONNECT	1	
7	700IC478	DECAL - SOUND POWER LEVEL (124)	1	

Provided for Free by Trenchwell.com
Shop Aftermarket Parts

Decals-Safety/International

Fig 01-04

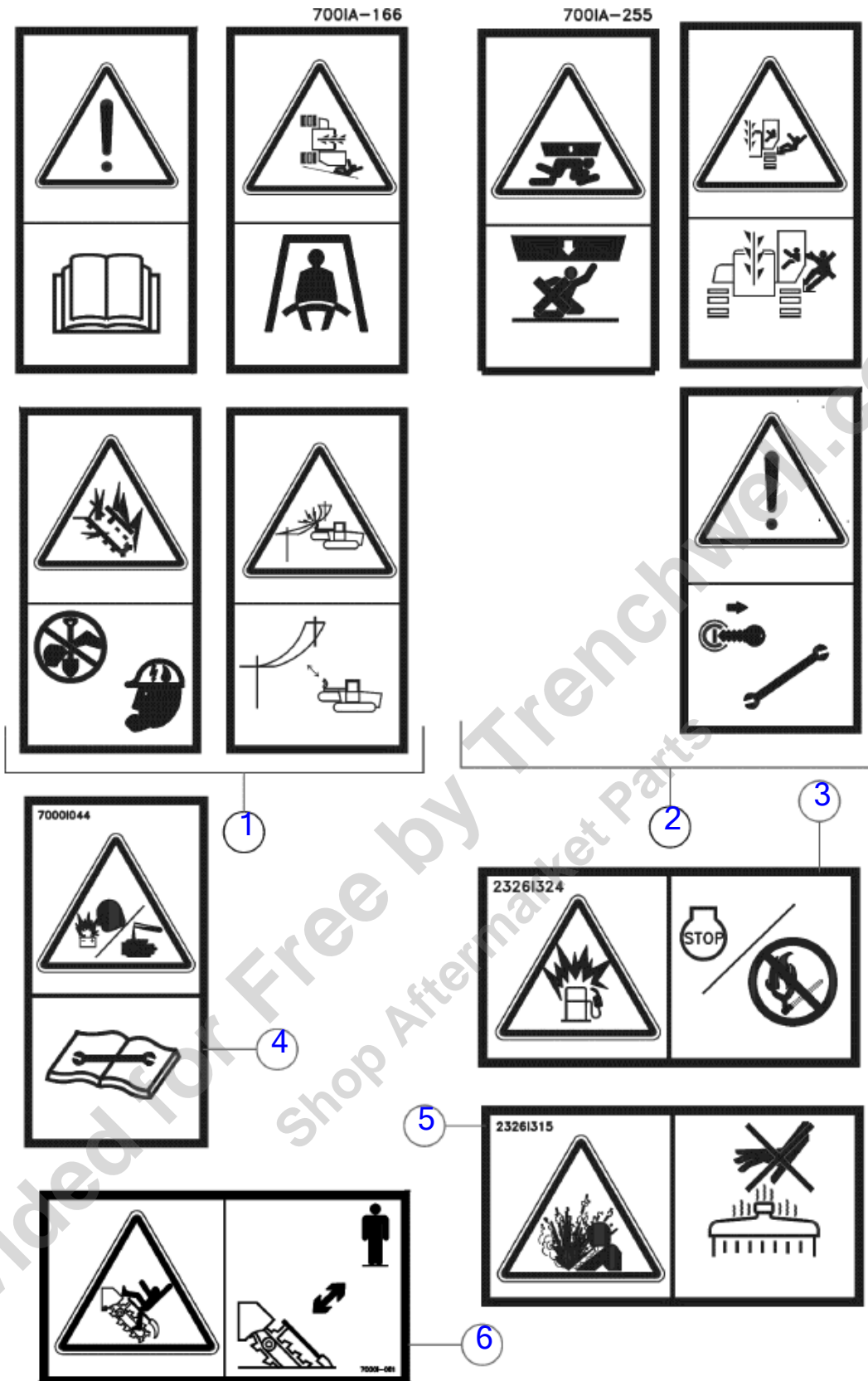


ILLUSTRATION NO. 627311001 - Not For Ordering

Decals-Safety/International

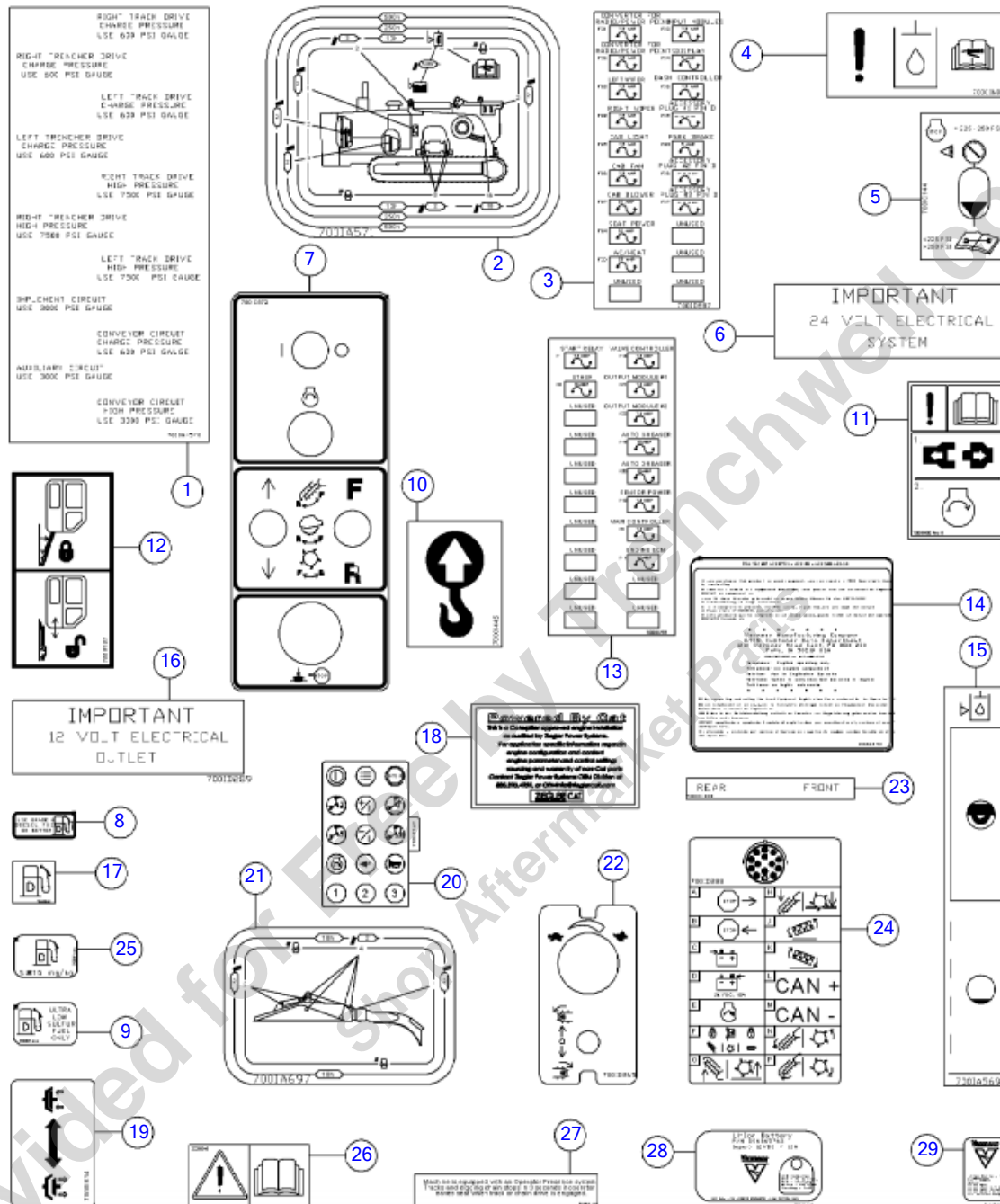
Fig 01-04

REF NO.	PART NO.	DESCRIPTION	QTY.	REMARKS
1	700IA166	DECAL-WARNING (AT)	1	
2	700IA255	DECAL-WARNING (AT)	1	
3	2326I324	DECAL - WARNING EXPLOSION	1	
4	7000I044	DECAL - WARNING	1	
5	2326I315	DECAL - WARNING	1	
6	7000I061	DECAL-DANGER	2	

Provided for Free by Trenchwell.com
Shop Aftermarket Parts

Decals-Miscellaneous (SN 550-557)

Fig 01-05



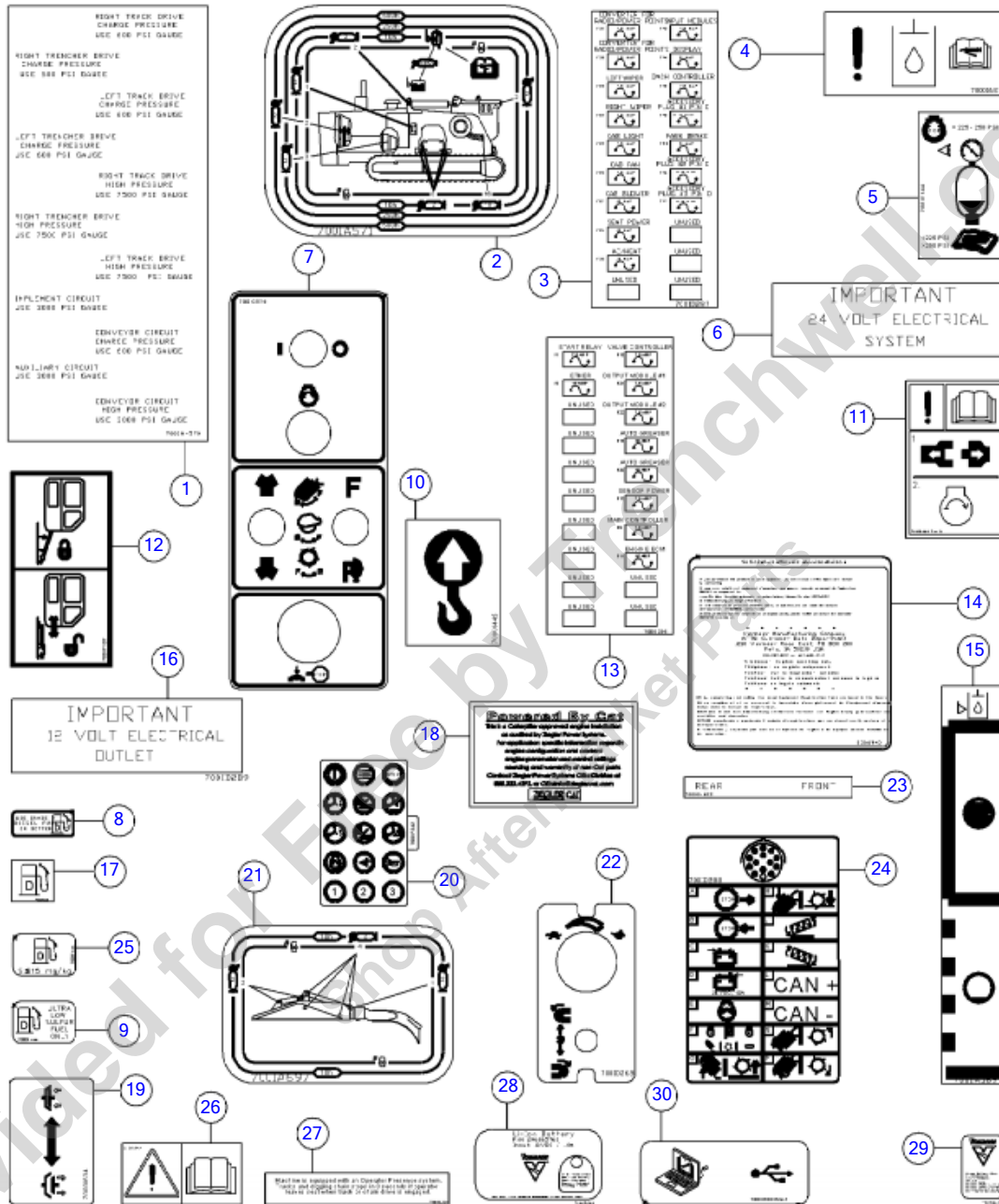
Decals-Miscellaneous (SN 550-557)

Fig 01-05

REF NO.	PART NO.	DESCRIPTION	QTY.	REMARKS
1	7000A570	DECAL-CHARGE PRESSURE	1	
2	700IA571	DECAL-T1055/T955 GREASE CHART	1	
3	700ID287	DECAL-FUSE BANK	1	
4	7000I687	DECAL - IMPORTANT/HYDRAULIC OIL	1	
5	700IC144	DECAL-CHECK ACCUMULATOR	1	
6	7000A568	DECAL-IMPORTANT	1	
7	700IC879	DECAL-REMOTE ATTACHMENT CONTROL	1	
8	7000B627	DECAL- DIESEL	2	Tier 3, Domestic
9	7000F444	DECAL-DIESEL FUEL SPECIFICATION	2	Tier 4, Domestic
10	7000I445	DECAL-LIFT POINT	1	
11	700IB900	DECAL-NOTICE DRIVETRAIN DAMAGE	1	
12	700IF107	DECAL-CAB LIFT LOCK	1	
13	700ID286	DECAL-FUSE BANK	1	
14	2326940	DECAL-NOTICE TO OWNERS	1	
15	700IA569	DECAL-HYD. OIL LEVEL	1	
16	700ID289	DECAL-12 VOLT OUTLET	1	
17	7000I098	DECAL-DIESEL FUEL	2	Tier 3, International
18	163648128	DECAL - ZIEGLER CAT ENGINE OEM INFO	1	
19	7000I634	DECAL-CONTROL CLUTCH	1	
20	700IF242	OVERLAY - WIRELESS RAC	1	
21	700IA697	DECAL-CRUMBER GREASE CHART	1	
22	700ID265	DECAL-CONVEYOR CONTROL	1	
23	70000213	DECAL-FRONT/REAR	1	
24	700ID288	DECAL-ACCESSORY PLUG	1	
25	700IF444	DECAL-DIESEL FUEL SPECIFICATION	2	Tier 4, International
26	2326I949	DECAL - WARNING SEE MANUAL	1	
27	7000A256	DECAL-PRESENCE SYSTEM (AT)	1	
28	7000G389	DECAL - LI-ION BATTERY CHARGER	1	
29	7000G228	DECAL - LI-ION BATTERY PACK	2	

Decals-Miscellaneous (SN 558)

Fig 01-05R01



Decals-Miscellaneous (SN 558)

Fig 01-05R01

REF NO.	PART NO.	DESCRIPTION	QTY.	REMARKS
1	7000A570	DECAL-CHARGE PRESSURE	1	
2	700IA571	DECAL-T1055/T955 GREASE CHART	1	
3	700ID287	DECAL-FUSE BANK	1	
4	7000I687	DECAL - IMPORTANT/HYDRAULIC OIL	1	
5	700IC144	DECAL-CHECK ACCUMULATOR	1	
6	7000A568	DECAL-IMPORTANT	1	
7	700IC879	DECAL-REMOTE ATTACHMENT CONTROL	1	
8	7000B627	DECAL- DIESEL	2	Tier 3, Domestic
9	7000F444	DECAL-DIESEL FUEL SPECIFICATION	2	Tier 4, Domestic
10	7000I445	DECAL-LIFT POINT	1	
11	700IB900	DECAL-NOTICE DRIVETRAIN DAMAGE	1	
12	700IF107	DECAL-CAB LIFT LOCK	1	
13	700ID286	DECAL-FUSE BANK	1	
14	2326940	DECAL-NOTICE TO OWNERS	1	
15	700IA569	DECAL-HYD. OIL LEVEL	1	
16	700ID289	DECAL-12 VOLT OUTLET	1	
17	7000I098	DECAL-DIESEL FUEL	2	Tier 3, International
18	163648128	DECAL - ZIEGLER CAT ENGINE OEM INFO	1	
19	7000I634	DECAL-CONTROL CLUTCH	1	
20	700IF242	OVERLAY - WIRELESS RAC	1	
21	700IA697	DECAL-CRUMBER GREASE CHART	1	
22	700ID265	DECAL-CONVEYOR CONTROL	1	
23	70000213	DECAL-FRONT/REAR	1	
24	700ID288	DECAL-ACCESSORY PLUG	1	
25	700IF444	DECAL-DIESEL FUEL SPECIFICATION	2	Tier 4, International
26	2326I949	DECAL - WARNING SEE MANUAL	1	
27	7000A256	DECAL-PRESENCE SYSTEM (AT)	1	
28	7000G389	DECAL - LI-ION BATTERY CHARGER	1	
29	7000G228	DECAL - LI-ION BATTERY PACK	2	
30	700IG583	DECAL - DASH USB	1	

Decals-Miscellaneous (SN 559-)

Fig 01-05R02

REF NO.	PART NO.	DESCRIPTION	QTY.	REMARKS
1	7000A570	DECAL-CHARGE PRESSURE	1	
2	700IA571	DECAL-T1055/T955 GREASE CHART	1	
3	700ID287	DECAL-FUSE BANK	1	
4	7000I687	DECAL - IMPORTANT/HYDRAULIC OIL	1	
5	700IC144	DECAL-CHECK ACCUMULATOR	1	
6	7000A568	DECAL-IMPORTANT	1	
7	700IC879	DECAL-REMOTE ATTACHMENT CONTROL	1	
8	7000B627	DECAL- DIESEL	2	Tier 3, Domestic
9	7000F444	DECAL-DIESEL FUEL SPECIFICATION	2	Tier 4, Domestic
10	7000I445	DECAL-LIFT POINT	1	
11	700IB900	DECAL-NOTICE DRIVETRAIN DAMAGE	1	
12	700IF107	DECAL-CAB LIFT LOCK	1	
13	700ID286	DECAL-FUSE BANK	1	
14	2326940	DECAL-NOTICE TO OWNERS	1	
15	700IA569	DECAL-HYD. OIL LEVEL	1	
16	700ID289	DECAL-12 VOLT OUTLET	1	
17	7000I098	DECAL-DIESEL FUEL	2	Tier 3, International
18	163648128	DECAL - ZIEGLER CAT ENGINE OEM INFO	1	
19	7000I634	DECAL-CONTROL CLUTCH	1	
20	700IF242	OVERLAY - WIRELESS RAC	1	
21	700IA697	DECAL-CRUMBER GREASE CHART	1	
22	700ID265	DECAL-CONVEYOR CONTROL	1	
23	70000213	DECAL-FRONT/REAR	1	
24	700ID288	DECAL-ACCESSORY PLUG	1	
25	700IF444	DECAL-DIESEL FUEL SPECIFICATION	2	Tier 4, International
26	2326I949	DECAL - WARNING SEE MANUAL	1	
27	7000A256	DECAL-PRESENCE SYSTEM (AT)	1	
28	7000G389	DECAL - LI-ION BATTERY CHARGER	1	
29	7000G228	DECAL - LI-ION BATTERY PACK	2	
30	700IG583	DECAL - DASH USB	1	
31	7000G712	DECAL-COOLANT SPECS NOTICE	1	Domestic
32	700IG712	DECAL-COOLANT SPECS NOTICE	1	International

Literature Box

Fig 01-06

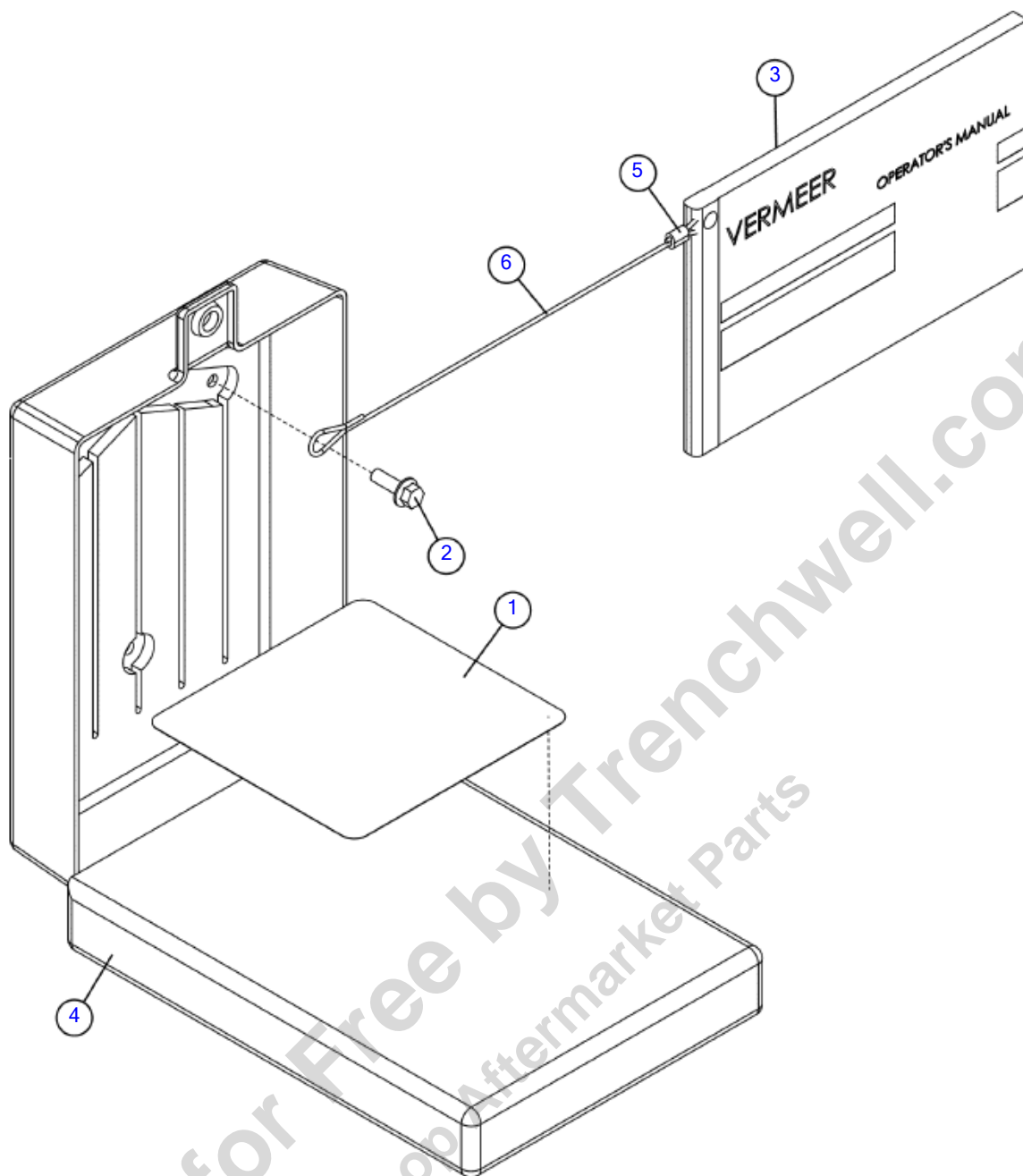


Illustration No.635202353-Not For Ordering

Literature Box

Fig 01-06

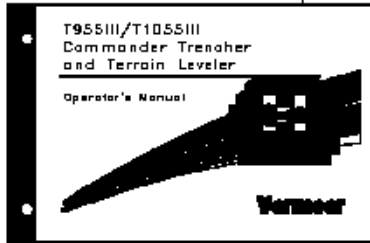
REF NO.	PART NO.	DESCRIPTION	QTY.	REMARKS
1	2326940	DECAL-NOTICE TO OWNERS	1	
2	4473006	BOLT-1/4-20X3/4 FLG WHIZ	4	
3	632245001	MANUAL ASSEMBLY-T955III/T1055III CABLED o4_00 ED	1	Inc. Ref. 5 & 6
4	635503075	CASE-9X6LITERATURE COMPARTMENT	1	
5	142423001	CRIMP-CABLE (FOR.068DIA.CABLE)	2	
6	142954001	CABLE-.068DIA.NYLON CT.-36.00	1	

Provided for Free by Trenchwell.com
Shop Aftermarket Parts

Literature Library

Fig 01-07

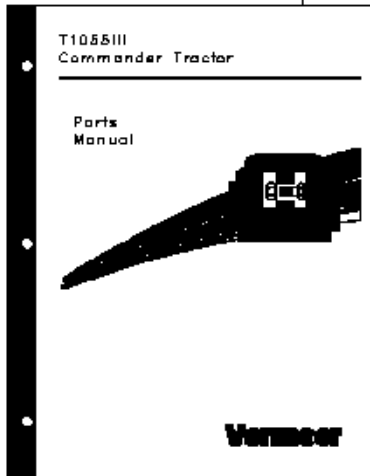
1



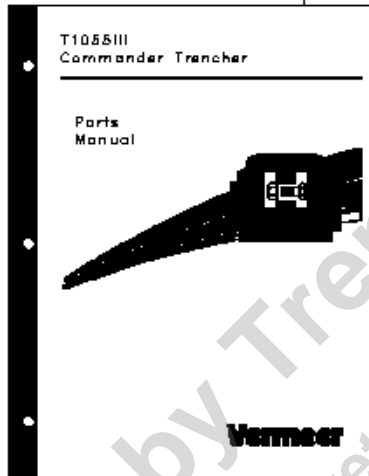
2



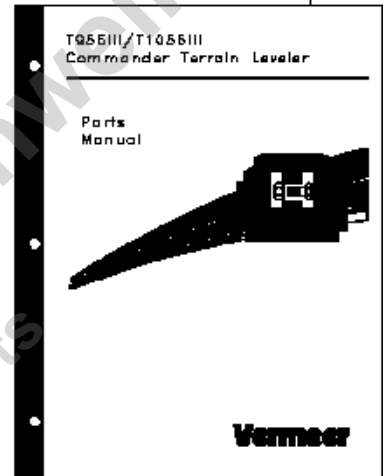
3



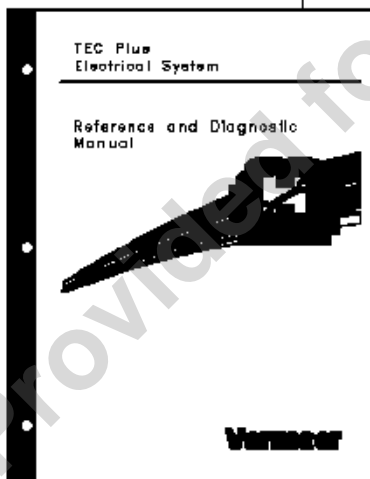
4



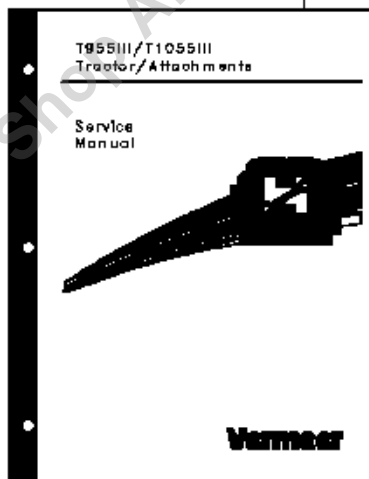
5



6



7



Literature Library

Fig 01-07

REF NO.	PART NO.	DESCRIPTION	QTY.	REMARKS
1	105400CW7	OM-T955III/T1055III TEC+ 4.00	1	
2	105400CW9	MM-T955III/T1055III 4.00 ED	1	
3	105400YDG	PM-T1055III TRACTOR 4.00 ED	1	
4	105400ZKY	PM-T1055III TRENCHER (EN) 2.00	1	
5	105400ZIP	MAN-T955III/1055IIITERRAIN LEVELER PM	1	
6	105400AD4	TEC PLUS ELECTRICAL SYSTEM REF & DIAGNOSTIC MANUAL	1	
7	105400DJ0	SM-T955III/T1055III TRACTOR/ATTACHMENTS S2.00	1	

Provided for Free by Trenchwell.com
Shop Aftermarket Parts

Quick Reference Guide

Fig 01-08

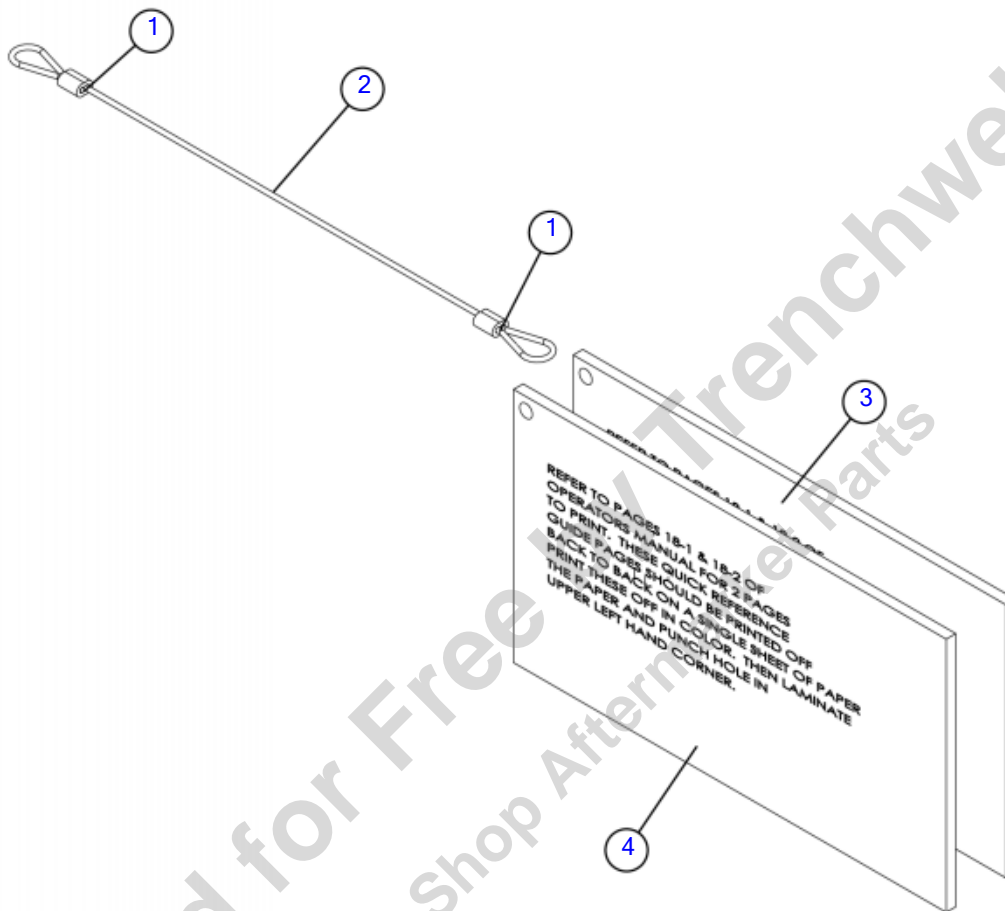


Illustration No. 635221155 Not For Ordering

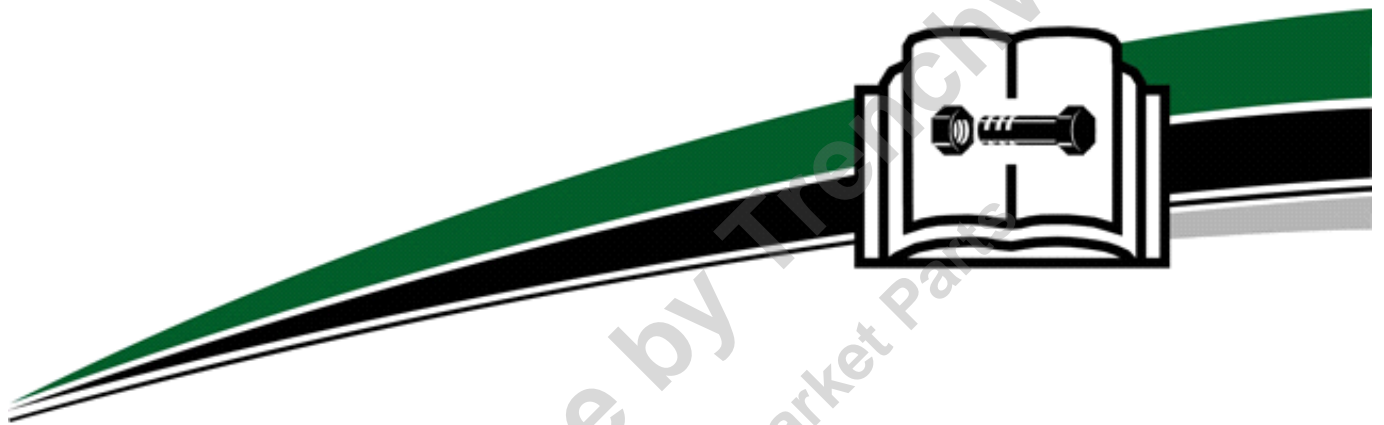
Quick Reference Guide

Fig 01-08

REF NO.	PART NO.	DESCRIPTION	QTY.	REMARKS
1	142423001	CRIMP-CABLE (FOR.068DIA.CABLE)	2	
2	142954001	CABLE-.068DIA.NYLON CT.-36.00	1	
3	635203682	RESOURCE LIBRARY QUICK REF GUIDE (T4F/STAGE IV)	1	
3	(635203683)	QUICK REF. GUIDE (TIER 4 FINAL/STAGE IV)	1	
4	635221142	SPANISH QUICK REF. GUIDE (TIER 4F/STAGE IV)	1	

Provided for Free by Trenchwell.com
Shop Aftermarket Parts

Maintenance Items



Provided for Free by TractorParts.com
Shop Aftermarket Parts

Maintenance Items

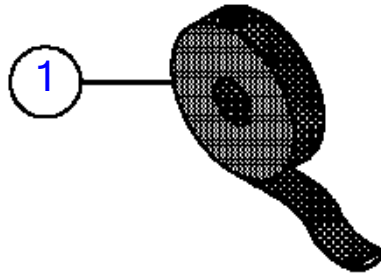
Hydraulic Supplies	Fig 02-01
Lubricants	Fig 02-02
DRC Connectors	Fig 02-03
DT Connectors	Fig 02-04
DTHD Connectors/HDFB Modules	Fig 02-05
Diode/Buss Blocks	Fig 02-06
Electrical Tooling	Fig 02-07

Provided for Free by Trenchwell.com
Shop Aftermarket Parts

Hydraulic Supplies

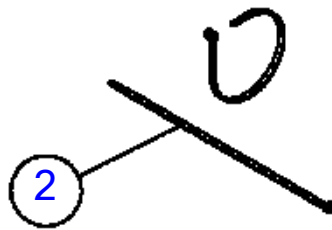
Fig 02-01

CORDURA SLEEVES

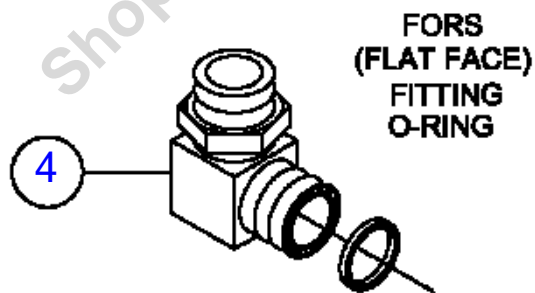
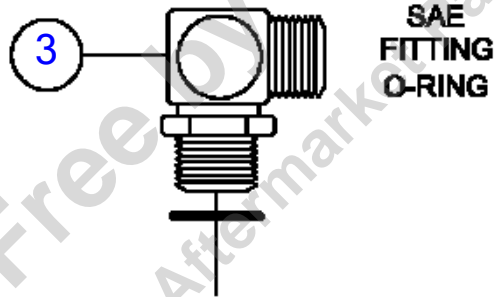


NOTE: SPECIFY LENGTH WHEN ORDERING

TIE STRAPS



O-RINGS



NOTE: O-RINGS LISTED ARE 90 DUROMETER

Hydraulic Supplies

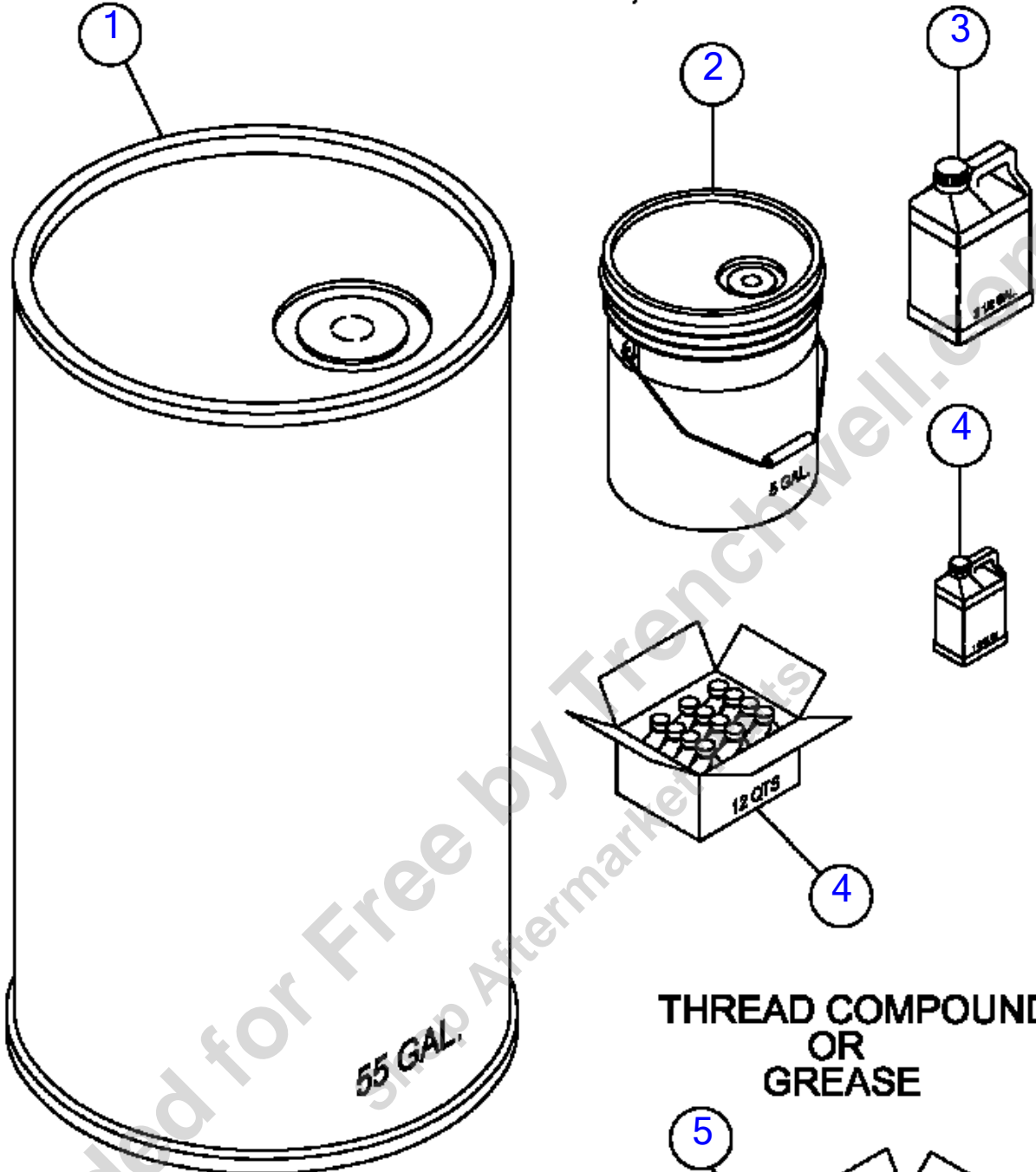
Fig 02-01

REF NO.	PART NO.	DESCRIPTION	QTY.	REMARKS
		CORDURA SLEEVES	A/R	
1	83726001	CORDURA SLEEVE-.090WALLX.71ID.	A/R	SPECIFY LENGTH
1	66094001	CORDURA SLEEVE .090WALL 1.22ID	A/R	SPECIFY LENGTH
1	67264001	CORDURA SLEEVE .090WALL 1.42ID	A/R	SPECIFY LENGTH
1	69129001	SLEEVE-CORDURA 1.59ID	A/R	SPECIFY LENGTH
1	53840001	CORDURA SLEEVE-.090WALL1.81 ID	A/R	SPECIFY LENGTH
1	53841001	CORDURA SLEEVE-.090WALL 2.37ID	A/R	SPECIFY LENGTH
1	235824001	CORDURA SLEEVE-NHS-090	A/R	SPECIFY LENGTH
		TIE STRAPS	A/R	
2	78657001	STRAP-CABLE TIE 4" T18R	A/R	
2	59634001	SINGLE NYTIE - 8"	A/R	
2	58151001	STRAP-CABLE TIE-T120R-0 15"	A/R	
		O-RINGS (SAE/ORB)	A/R	
3	78185027	O-RING # 407228	A/R	4M SAE FITTING SIZE
3	53649081	ORING	A/R	5M SAE FITTING SIZE
3	59088057	O-RING AS-906-C90	A/R	6M SAE FITTING SIZE
3	59088053	ORING SAE 8	A/R	8M SAE FITTING SIZE
3	792029	ORING	A/R	10M SAE FITTING SIZE
3	78518037	ORING	A/R	12M SAE FITTING SIZE
3	(3152013)	SEAL-O-RING GRESEN 2708-001	A/R	12M SAE FITTING SIZE
3	793017	ORING	A/R	14M SAE FITTING SIZE
3	(3155015)	SEAL-O-RING GRESEN 2709-001	A/R	14M SAE FITTING SIZE
3	81580001	O-RING # AS-916-090	A/R	16M SAE FITTING SIZE
3	93316001	O-RING AS-920-C90	A/R	20M SAE FITTING SIZE
		O-RINGS (FORS/ORFF)	A/R	
4	4485011	O-RING-250003-903 (90D) 5/16" ID X 7/16" OD	A/R	90 DUROMETER
4	(93843001)	ORING-AS-011-C90 FOR#4ORS FIT	A/R	90 DUROMETER
4	1749025	SEAL ORING 15007 90D	A/R	90 DUROMETER
4	(93844001)	ORING-AS-012-C90 FOR #6ORS FIT	A/R	90 DUROMETER
4	16138031	ORING	A/R	90 DUROMETER
4	(93845001)	ORING-AS-014-C90 FOR#8ORS FIT.	A/R	90 DUROMETER
4	93846001	O-RING-AS-016-C90 FOR#10ORS FIT	A/R	90 DUROMETER
4	93847001	ORING AS 018 C90 FOR 12ORS FIT	A/R	90 DUROMETER
4	19876047	O-RING - 405895 90D	A/R	90 DUROMETER
4	(93848001)	ORING-AS-021-C90 FOR#16ORS FIT	A/R	90 DUROMETER
4	93849001	O-RING-AS-025-C90 FOR#20ORS FIT	A/R	90 DUROMETER
4	93850001	O-RING-AS-029-C90 FOR#24ORS FIT	A/R	90 DUROMETER

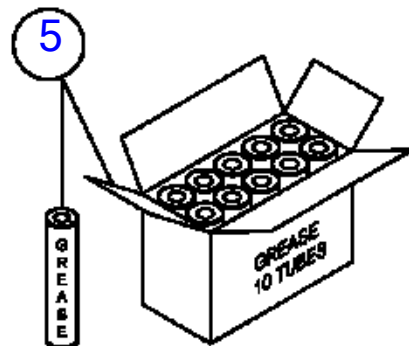
Lubricants

Fig 02-02

MOTOR OIL, HYD FLUID, HYD OIL,
TRANSMISSION FLUID, ETC.



THREAD COMPOUND
OR
GREASE



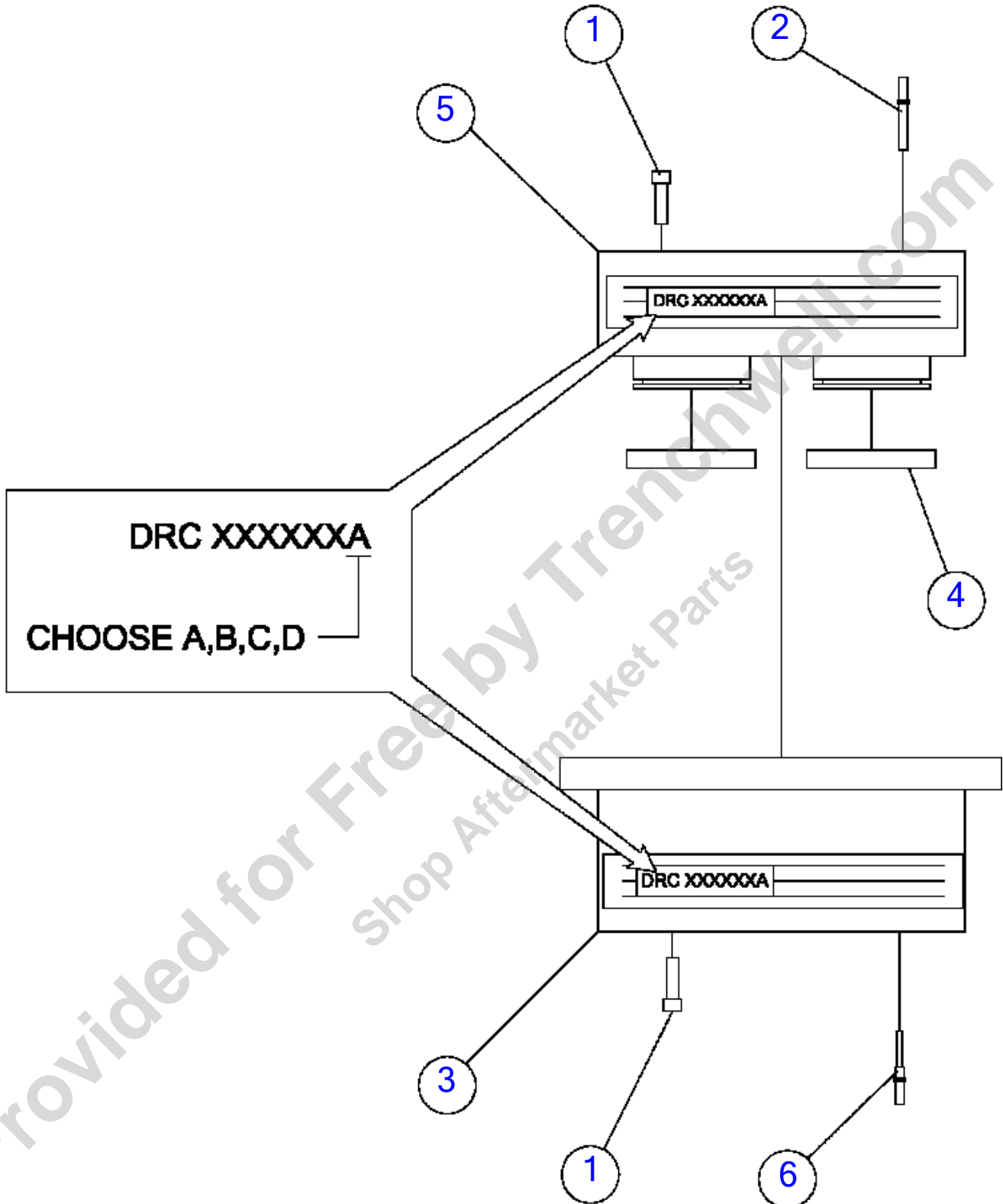
Lubricants
Fig 02-02

REF NO.	PART NO.	DESCRIPTION	QTY.	REMARKS
		55 GALLON	A/R	
1	99661005	ULTRA GOLD 15W40 55 GALLON DRUM	A/R	
1	99662005	ULTRA GOLD VMF HYD FLUID 55 DRUM	A/R	
1	101518005	ULTRA GOLD HY-POWER 68 55 GALLON DRUM	A/R	
1	101519005	ULTRA GOLD HY-POWER 100 55 GALLON DRUM	A/R	
1	248162982	OMALA HD 220 55 GAL DRUM	A/R	
1	632081005	OIL-SHELL OMALA 320 HD (SYNTHETIC) 55 GAL.	A/R	
		5 GALLON	A/R	
2	99661003	ULTRA GOLD 15W40 5 GALLON PAIL	A/R	
2	99662003	ULTRA GOLD VMF HYD FLUID 5 GALLON PAIL	A/R	
2	101518003	HY-POWER 68 HYD OIL 5 GALLON	A/R	
2	101519003	ULTRA GOLD HY-POWER 100 5 GALLON PAIL	A/R	
2	632080003	OIL-SHELL OMALA HD 220 (SYNTHETIC) 5 GAL.	A/R	
2	632081003	OIL-SHELL OMALA HD 320 (SYNTHETIC) 5 GAL.	A/R	
		2 1/2 GALLON	A/R	
3	99661002	ULTRA GOLD 15W40 CASE 2 2 1/2 GALLON JUGS	A/R	
3	99662002	ULTRA GOLD VMF HYD 2 2 1/2 GALLON JUGS	A/R	
3	101518002	ULTRA GOLD HY-POWER 68 2 2 1/2 GALLON JUGS	A/R	
3	101519002	ULTRA GOLD HY-POWER 100 2 2 1/2 GALLON BUCKETS	A/R	
3	632080002	OIL-SHELL OMALA HD 220 (SYNTHETIC) 2.5 GAL.	A/R	
3	632081002	OIL-SHELL OMALA HD 320 (SYNTHETIC) 2.5 GAL.	A/R	
		12 QUARTS (CASE)	A/R	
4	99661008	ULTRA GOLD 15W40 CASE 12 QUARTS	A/R	
		330 GALLON	A/R	NOT SHOWN
	631860987	TELLUS S2 M100 HYDRAULIC OIL BULK 330 GAL	A/R	
		120 POUND KEG	A/R	NOT SHOWN
5	247812985	GREY MOLY/MC 2048MT5 GREASE (KEG)	A/R	
	252963982	GADUS S2 V220 2 120# KEG (ALVANIA EP2)	A/R	
		10 PAK	A/R	NOT SHOWN
	252943982	GADUS S2 V220 2 10 PACK ALVANIA EP2	A/R	
		35 POUND PAIL	A/R	NOT SHOWN
	252974982	GADUS S2 V220 35# PAIL (EACH) (ALVANIA EP2)	A/R	

DRC Connectors

Fig 02-03

DRC SERIES



DRC Connectors

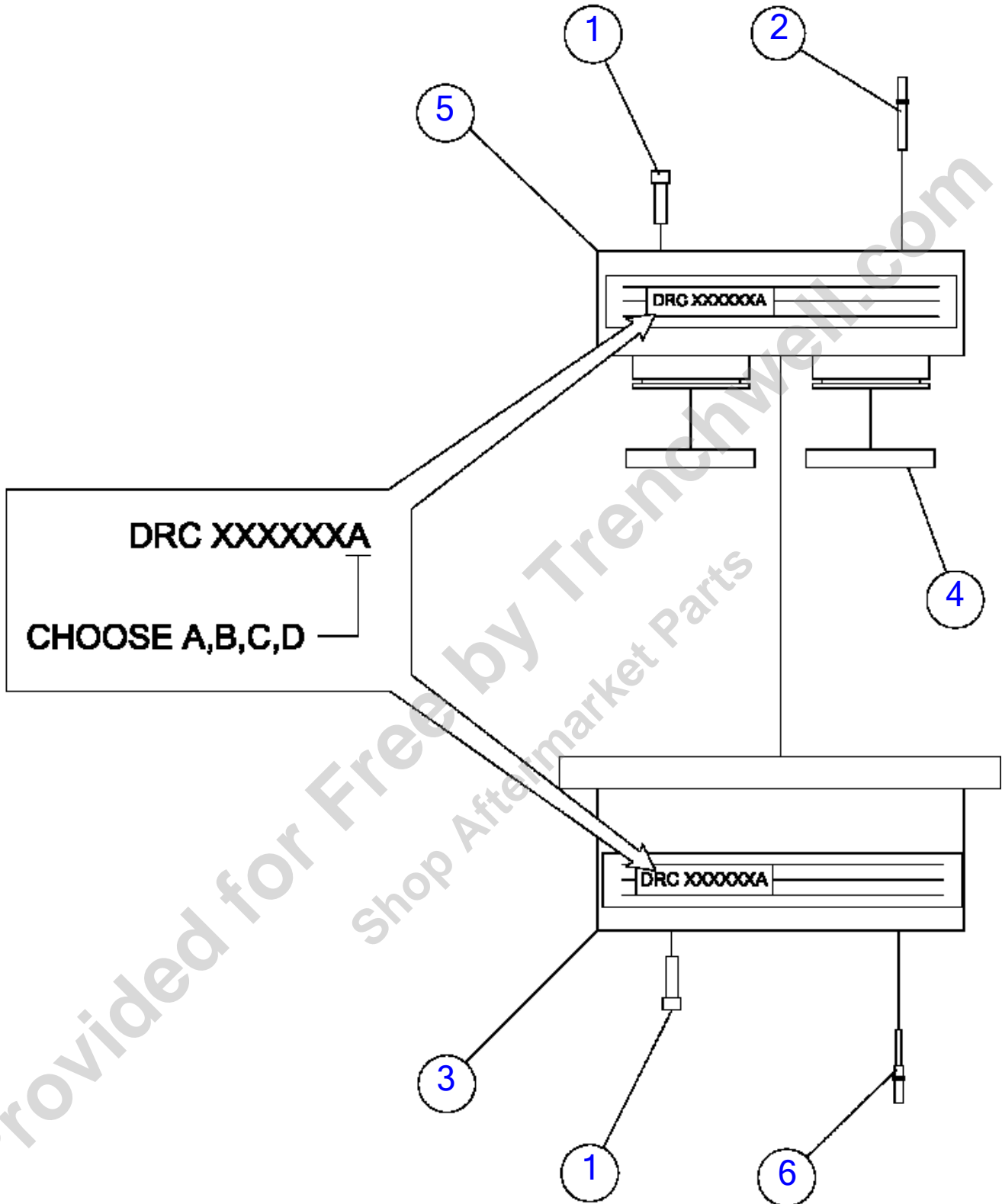
Fig 02-03

REF NO.	PART NO.	DESCRIPTION	QTY.	REMARKS
1	276906001	SIZE 20, SEALING PLUG	A/R	
	94201001	PLUG - SEALING (12-16)	A/R	
2	91354001	CONTACT SOCKET - SIZE 16, SOLID	A/R	
	276916001	CONTACT SOCKET - SIZE 20, SOLID	A/R	
3	276894001	24 CAVITY RECEPTACLE - DRC SERIES	A/R	
	276907001	24 WAY RECEPTACLE - DRC SERIES	A/R	
	276917001	24 WAY RECEPTACLE - DRC SERIES	A/R	
	276918001	RECEPTACLE - 24 PIN INLINE (D)	A/R	
	276895001	RECEPTACLE - 24 IN FLNG MNT (A)	A/R	
	276908001	24 WAY RECEPTACLE - DRC SERIES	A/R	
	276919001	24 WAY RECEPTACLE - DRC SERIES	A/R	
	276920001	24 WAY RECEPTACLE - DRC SERIES	A/R	
	276896001	40 WAY RECEPTACLE - DRC SERIES	A/R	
	276909001	40 WAY RECEPTACLE - DRC SERIES	A/R	
	276921001	40 WAY RECEPTACLE - DRC SERIES	A/R	
	276922001	40 WAY RECEPTACLE - DRC SERIES	A/R	
	276897001	RECEPTACLE - 40 PIN FLNG MNT (A)	A/R	
	276910001	RECEPTACLE - 40 PIN FLNG MNT (B)	A/R	
	276923001	RECEPTACLE - 40 PIN FLNG MNT (C)	A/R	
	276924001	RECEPTACLE - 40 PIN FLNG MNT (D)	A/R	
	276898001	RECEPTACLE - 70 PIN INLINE (A)	A/R	
	276911001	70 WAY RECEPTACLE - DRC SERIES	A/R	
	276925001	70 WAY RECEPTACLE - DRC SERIES	A/R	
	276926001	RECEPTACLE - 70 PIN INLINE (D)	A/R	
276899001	RECEPTACLE - 70 PIN FLNG MNT (A)	A/R		
276912001	RECEPTACLE - 70 PIN FLNG MNT (B)	A/R		
276927001	RECEPTACLE - 70 PIN FLNG MNT (C)	A/R		
276928001	RECEPTACLE - 70 PIN FLNG MNT (D)	A/R		
4	276900001	GASKET - 24 PIN INTERFACE	A/R	
	276901001	GASKET - 40 PIN INTERFACE	A/R	
	276902001	GASKET - 70 PIN INTERFACE	A/R	
5	276931001	PLUG - 24 PIN (SIZE 20 CONTACTS) (A)	A/R	
	276932001	24 WAY PLUG - DRC SERIES	A/R	
	276933001	24 WAY PLUG - DRC SERIES	A/R	
	276934001	24 WAY PLUG - DRC SERIES	A/R	
	276939001	PLUG - 40 PIN (SIZE 20 CONTACTS) (A)	A/R	
	276940001	PLUG - 40 PIN (SIZE 20 CONTACTS) (B)	A/R	
	276941001	PLUG - 40 PIN (SIZE 20 CONTACTS) (C)	A/R	
	276942001	PLUG - 40 PIN (SIZE 20 CONTACTS) (D)	A/R	
	276903001	PLUG - 24 PIN	A/R	
	276913001	24 WAY RECEPTACLE - DRC SERIES	A/R	
	276929001	24 WAY RECEPTACLE - DRC SERIES	A/R	
	276930001	24 WAY RECEPTACLE - DRC SERIES	A/R	
	276904001	PLUG - 40 PIN (A)	A/R	
	276914001	PLUG - 40 PIN - B	A/R	
	276935001	PLUG - 40 PIN (C)	A/R	
	276936001	PLUG - 40 PIN (D)	A/R	
	276905001	PLUG - 70 PIN (A)	A/R	
	276915001	70 WAY PLUG - DRC SERIES	A/R	
	276937001	70 WAY PLUG - DRC SERIES	A/R	
	276938001	70 WAY PLUG - DRC SERIES	A/R	
6	276866001	PIN - 14/16 GA.	A/R	

DRC Connectors

Fig 02-03

DRC SERIES



DRC Connectors

Fig 02-03

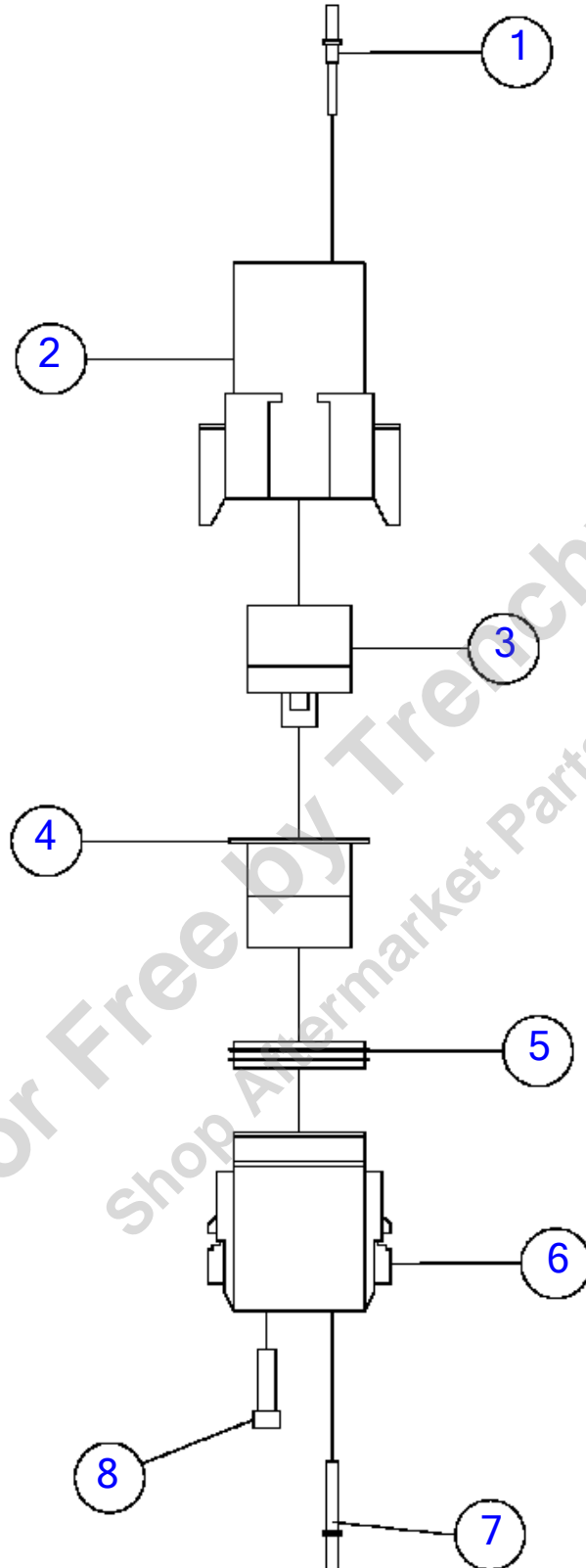
REF NO.	PART NO.	DESCRIPTION	QTY.	REMARKS
	87696001	CONTACT PIN - SIZE 16, SOLID	A/R	
	276951001	CONTACT PIN - SIZE 20, SOLID	A/R	

Provided for Free by Trenchwell.com
Shop Aftermarket Parts

DT Connectors

Fig 02-04

DT SERIES



DT Connectors

Fig 02-04

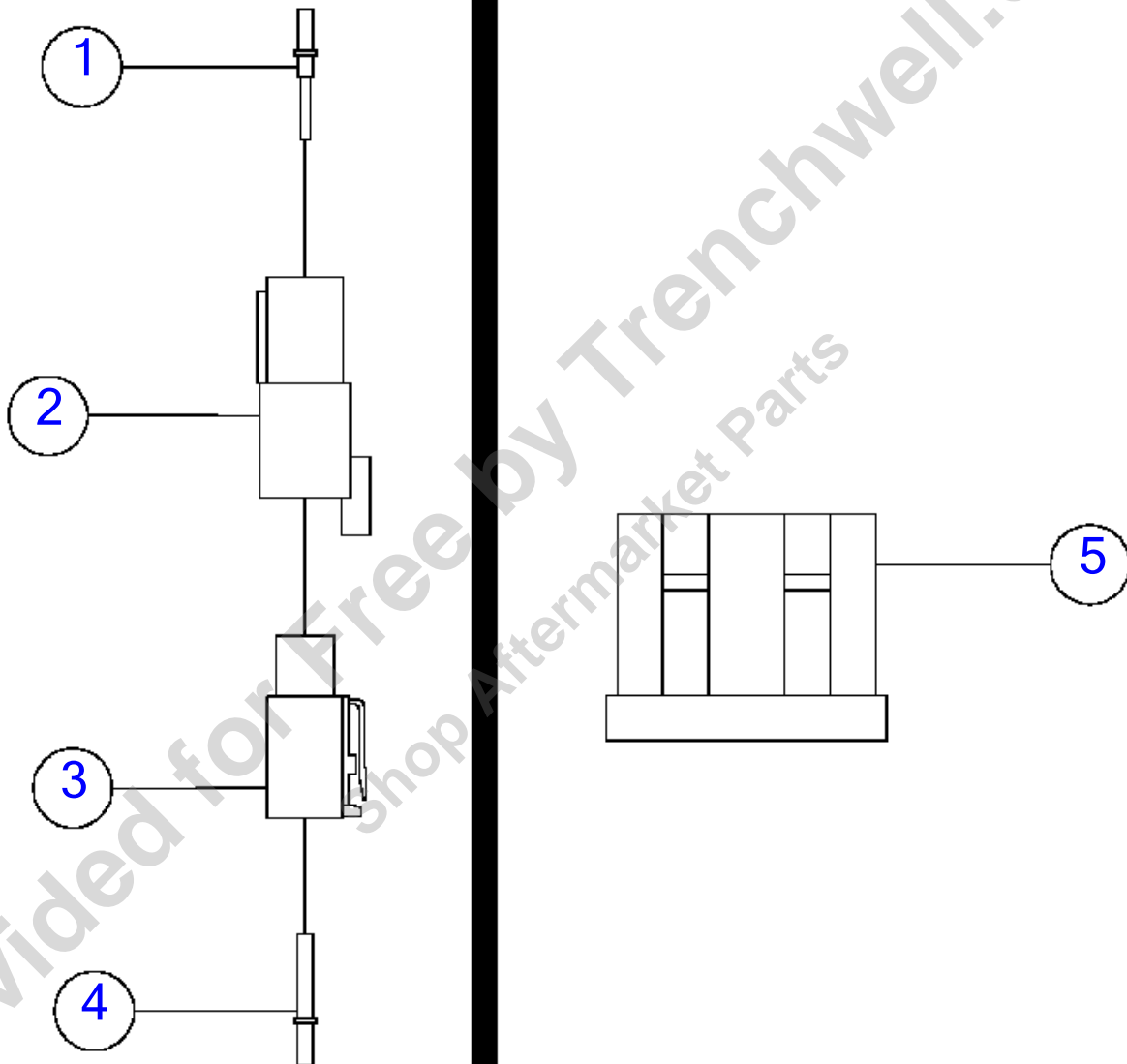
REF NO.	PART NO.	DESCRIPTION	QTY.	REMARKS
1	276866001	PIN - 14/16 GA.	A/R	
	87696001	CONTACT PIN - SIZE 16, SOLID	A/R	
	276951001	CONTACT PIN - SIZE 20, SOLID	A/R	
2	125286001	RECEPTACLE-DEUTSCH 2 PIN	A/R	
2	(276867001)	RECEPTACLE - 2 PIN	A/R	
	276868001	RECEPTACLE - 3 PIN DT04-3P	A/R	
	130656001	RECEPTACLE-DEUTSCH 4 PIN	A/R	
	(276869001)	RECEPTACLE - 4 PIN	A/R	
	276890001	RECEPTACLE - 6 PIN	A/R	
	276943001	8 WAY RECEPTACLE - DT SERIES	A/R	
	276944001	8 WAY RECEPTACLE - DT SERIES	A/R	
	276945001	8 WAY RECEPTACLE - DT SERIES	A/R	
	276946001	8 WAY RECEPTACLE - DT SERIES	A/R	
	276947001	RECEPTACLE - 12 PIN (A)	A/R	
	276948001	12 WAY RECEPTACLE - DT SERIES	A/R	
	276949001	12 WAY RECEPTACLE - DT SERIES	A/R	
	276950001	12 WAY RECEPTACLE - DT SERIES	A/R	
3	276870001	WEDGE - 2 PIN RECEPTACLE	A/R	
	276871001	WEDGE - 3 PIN RECEPTACLE	A/R	
	276872001	WEDGE - 4 PIN RECEPTACLE	A/R	
	276873001	WEDGE - 6 PIN RECEPTACLE	A/R	
	94200001	8 CONTACT RECEPTACLE - WEDGE LOCK	A/R	
	103213001	12 CONTACT RECEPTACLE - WEDGE LOCK	A/R	
4	276874001	WEDGE - 2 PIN PLUG	A/R	
	125284001	3 CONTACT PLUG - WEDGE LOCK	A/R	
	(276875001)	WEDGE - 3 PIN PLUG	A/R	
	276876001	4 WAY PLUG - WEDGELOCK	A/R	
	276877001	WEDGE - 6 PIN PLUG	A/R	
	98106001	8 CONTACT PLUG - WEDGE LOCK	A/R	
	103214001	WEDGE - 12 PIN PLUG	A/R	
5	276878001	GASKET - INTERFACE 2 PIN	A/R	
	276879001	GASKET - INTERFACE 3 PIN	A/R	
	276880001	GASKET - INTERFACE 4 PIN	A/R	
	276881001	GASKET - INTERFACE 6 PIN	A/R	
	276882001	GASKET - INTERFACE 8 PIN	A/R	
	276883001	GASKET - INTERFACE 12 PIN	A/R	
6	276884001	PLUG - 2 PIN	A/R	
	125289001	3 WAY PLUG - DT SERIES	A/R	
	(276885001)	PLUG - 3 PIN	A/R	
	276886001	4 WAY PLUG - DT SERIES	A/R	
	276887001	PLUG - 6 PIN	A/R	
	98107001	8 WAY PLUG - DT SERIES	A/R	
	276985001	8 WAY PLUG - DT SERIES	A/R	
	276986001	8 WAY PLUG - DT SERIES	A/R	
	276987001	8 WAY PLUG - DT SERIES	A/R	
	103211001	12 WAY PLUG - DT SERIES	A/R	
	276988001	12 WAY PLUG - DT SERIES	A/R	
	276989001	12 WAY PLUG - DT SERIES	A/R	
	276990001	12 WAY PLUG - DT SERIES	A/R	
7	91354001	CONTACT SOCKET - SIZE 16, SOLID	A/R	
8	94201001	PLUG - SEALING (12-16)	A/R	

DTHD Connectors/HDFB Modules

Fig 02-05

DTHD SERIES

HDFB MODULES



DTHD Connectors/HDFB Modules

Fig 02-05

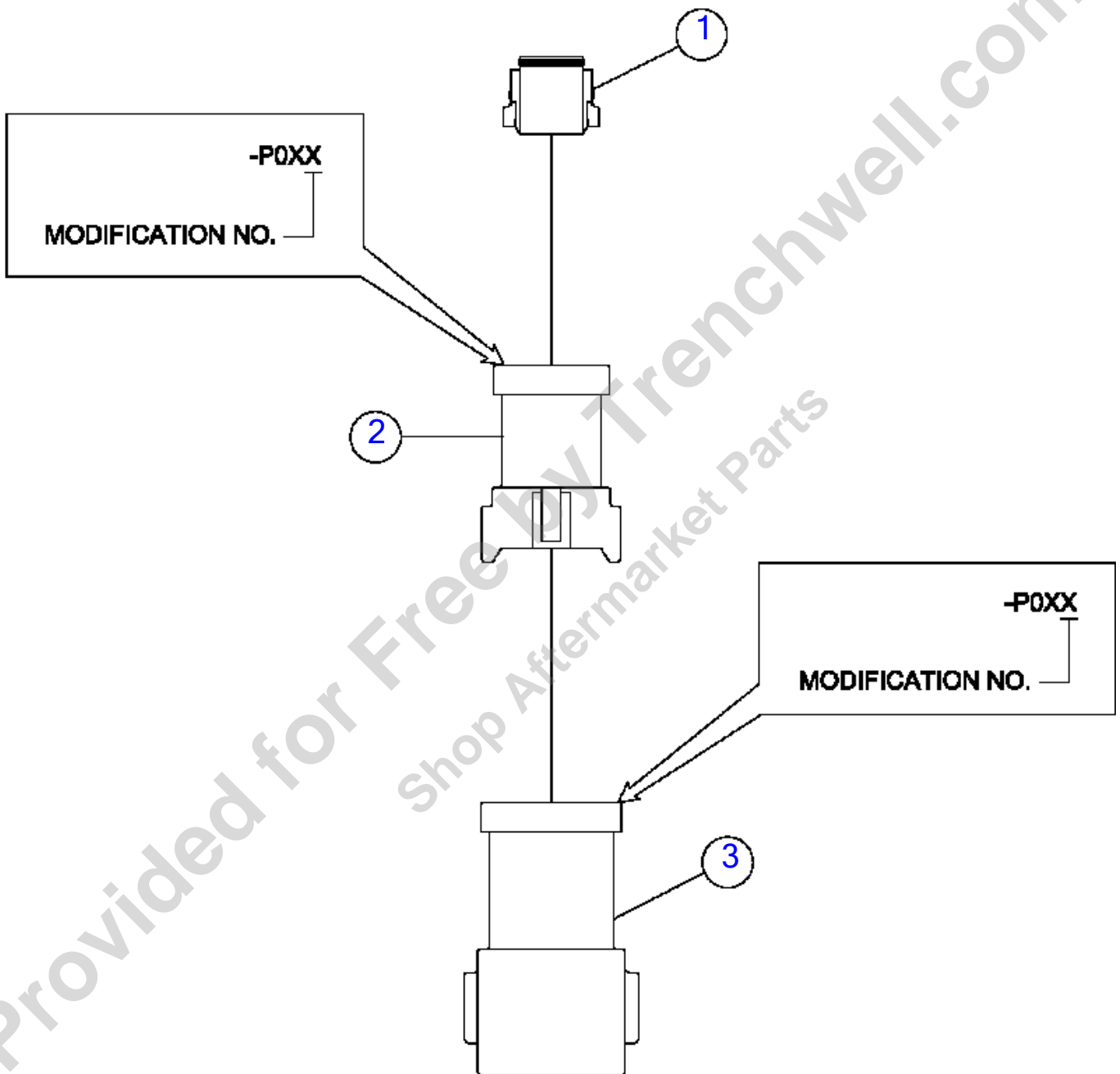
REF NO.	PART NO.	DESCRIPTION	QTY.	REMARKS
1	231988001	CONTACT PIN - SIZE 12, SOLID	A/R	
	276953001	PIN - 8/10 GA.	A/R	
	276954001	PIN - 6 GA.	A/R	
2	279423001	RECEPTACLE - SIZE 4 CONTACT	A/R	
	279424001	RECEPTACLE - SIZE 8 CONTACT	A/R	
	279425001	1 WAY RECEPTACLE - DTHD SERIES	A/R	
3	279426001	PLUG - SIZE 4 CONTACT	A/R	
	279427001	PLUG - SIZE 8 CONTACT	A/R	
	279428001	1 WAY PLUG - DTHD SERIES	A/R	
4	276982001	CONTACT SOCKET - SIZE 12, SOLID	A/R	
	276984001	SOCKET - 8/12 GA.	A/R	
	276952001	SOCKET - 6 GA.	A/R	
5	279430001	MODULE - FEEDBACK (10 PIN)	A/R	
Note		Not All Items Listed Are Used On This Machine	A/R	

Provided for Free by Trenchwell.com
Shop Aftermarket Parts

Diode/Buss Blocks

Fig 02-06

DT SERIES DIODE/BUSS BLOCKS



Diode/Buss Blocks

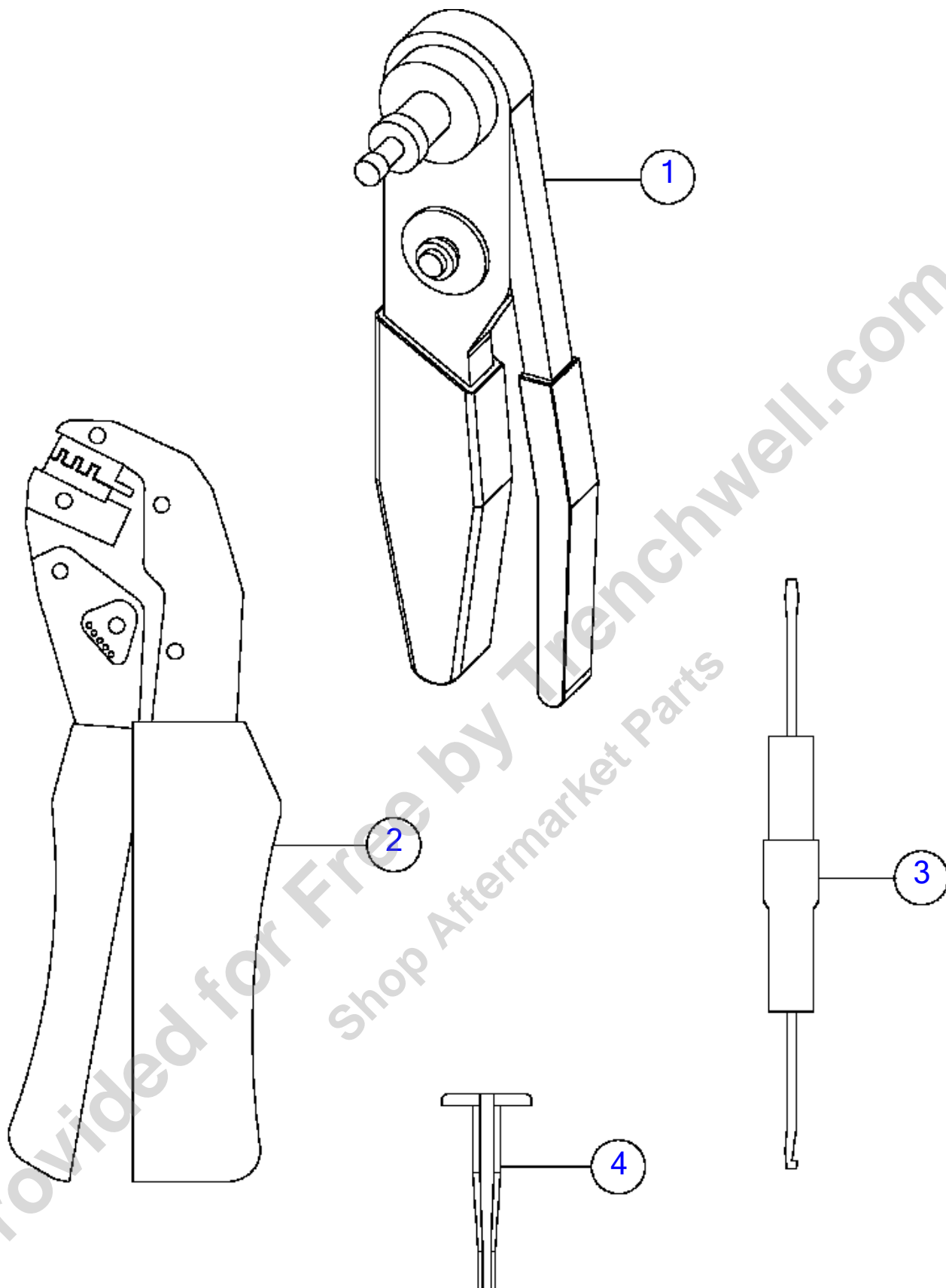
Fig 02-06

REF NO.	PART NO.	DESCRIPTION	QTY.	REMARKS
1	282531001	MODULE - DEUTSCH DT06-6S 3AMP DIODE	1	
2	700000096	8 WAY RECEPTACLE - DT SERIES - BLACK	1	
3	700000102	12 WAY RECEPTACLE - DT SERIES	1	
	700000104	12 WAY RECEPTACLE - DT SERIES	1	
	700000106	12 WAY RECEPTACLE - DT SERIES	1	

Provided for Free by Trenchwell.com
Shop Aftermarket Parts

Electrical Tooling

Fig 02-07



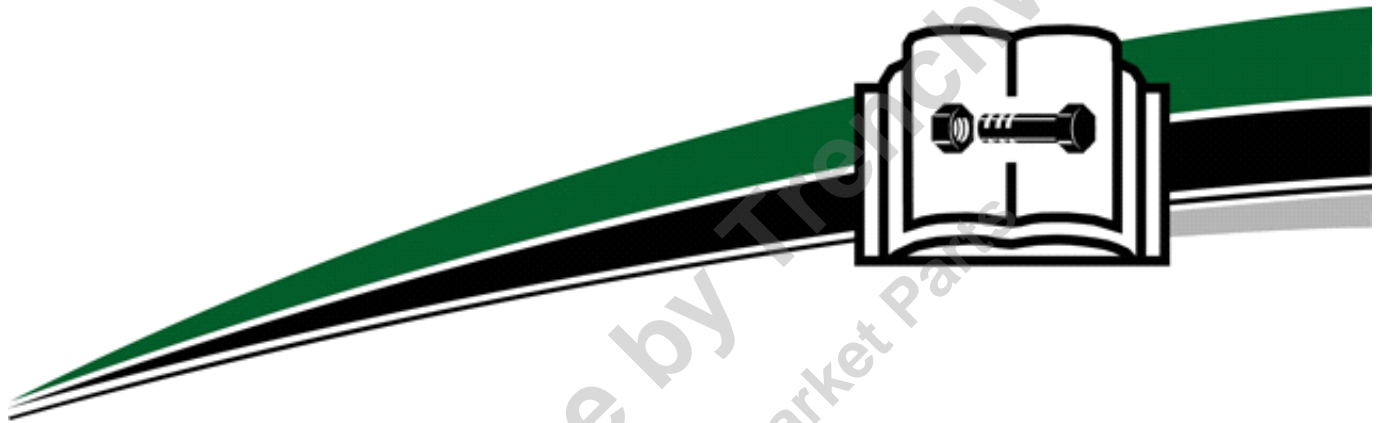
Electrical Tooling

Fig 02-07

REF NO.	PART NO.	DESCRIPTION	QTY.	REMARKS
1	603961001	PLIERS-DEUTSCH CRIMPING		
2	286553001	TOOL - DEUTSCH CRIMPING - FIELD		
3	286553003	TOOL - DEUTSCH - FIELD		
4	276891001	TOOL - 12/14 GA. EXTRACTOR (YELLOW)		
	276888001	TOOL - 6 GA. EXTRACTOR (WHITE)		
	276889001	TOOL - 8/10 GA. EXTRACTOR (GREEN)		
	905102001	TOOL-CONTACT REMOVAL		
	(276892001)	TOOL - 16/18 GA. EXTRACTOR (BLUE)		
	276893001	TOOL - 20/24 GA EXTRACTOR - RED		

Provided for Free by Trenchwell.com
Shop Aftermarket Parts

Frame & Shields



Provided for Free by TractorParts.com
Shop Aftermarket Parts

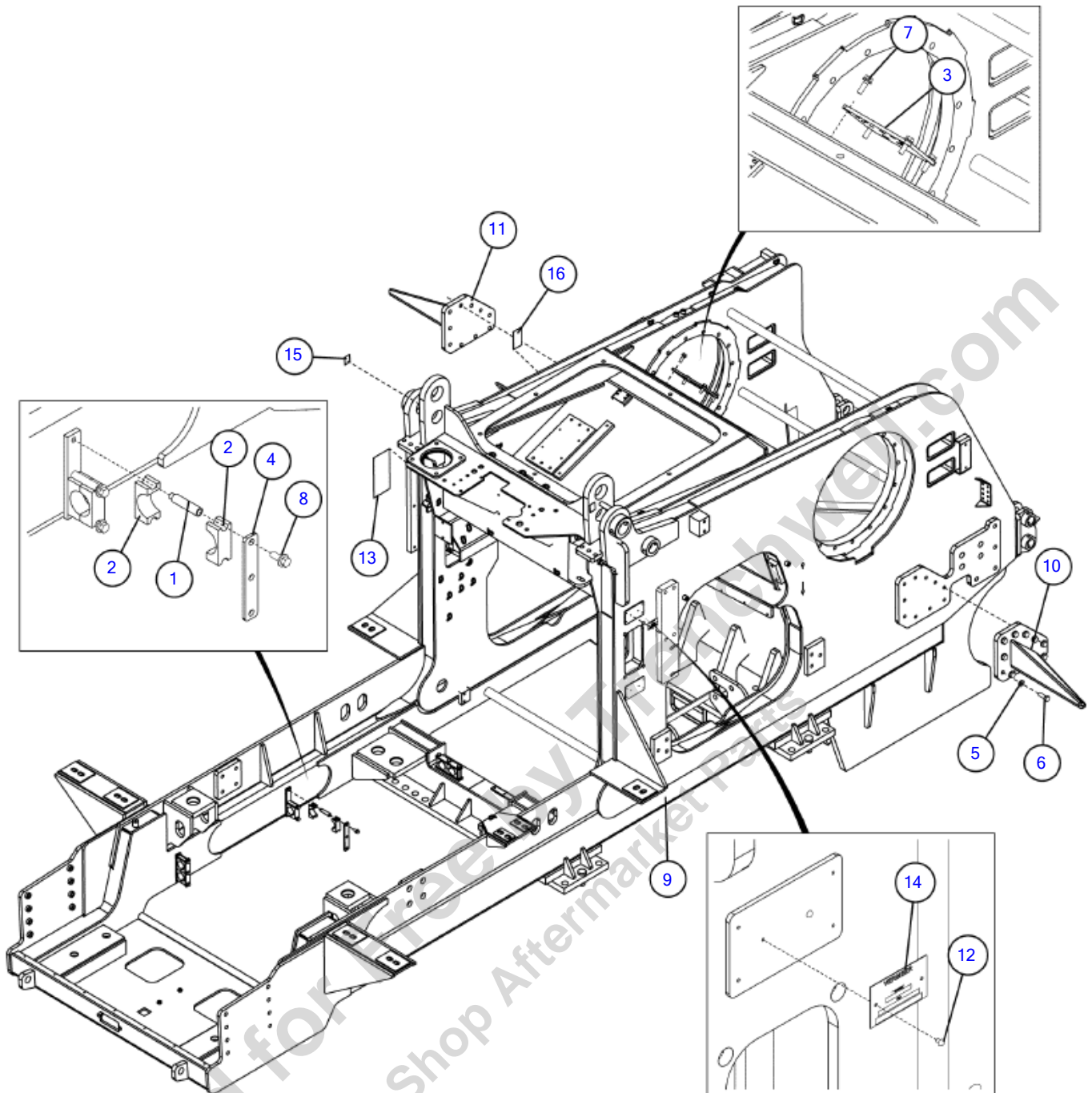
Frame & Shields

Main Frame	Fig	03-01
Radiator Wrap-Tier 3	Fig	03-02
Radiator Wrap-Tier 4 Final	Fig	03-03
Radiator Door Fill (SN 550-558)	Fig	03-04
Radiator Door Fill (SN 559-)	Fig	03-04R01
Top Shields-Tier 3	Fig	03-05
Top Shields-Tier 4 Final	Fig	03-06
Side Shields	Fig	03-07
Side Shield-Left	Fig	03-08
Toolbox-Tier 3	Fig	03-09
Toolbox-Tier 4 Final	Fig	03-10

Provided for Free by Trenchwell.com
Shop Aftermarket Parts

Main Frame

Fig 03-01



Main Frame

Fig 03-01

REF NO.	PART NO.	DESCRIPTION	QTY.	REMARKS
1	101510005	POST-CLAMP SERIES 20 7/16-14	9	
2	101511005	CLAMP-CUSH. #20-1.937 DIA.HALF	12	
3	112689001	PLATE-BULKHEAD	1	
4	155440001	BAR - DOUBLE #20 HOSE CLAMP	3	
5	235717001	WASHER - 3/4" HARDENED FLAT	20	
6	235746001	BOLT-3/4-10X2 GR8 HEX	20	
7	296300790	SCREW HFS .50 13X1.50 GR8	4	
8	296300866	SCREW-HFS-.44-14X1.00-GR8	9	
9	628251001	FRAME-T1055 MAIN	1	
10	635203519	SWEEP-LEFT	1	
11	635203523	SWEEP-RIGHT	1	
12	635203642	TYPE U METALLIC DRIVE SCREW PLTD # 6 X .188	2	
13	7000A570	DECAL-CHARGE PRESSURE	1	
14		SERIAL PLATE BLANK-BAR CODE	1	Not Available
15	7000I445	DECAL-LIFT POINT	2	
16	700IF107	DECAL-CAB LIFT LOCK	1	

Provided for Free by Trenchwell.com
Shop Aftermarket Parts

Radiator Wrap-Tier 3

Fig 03-02

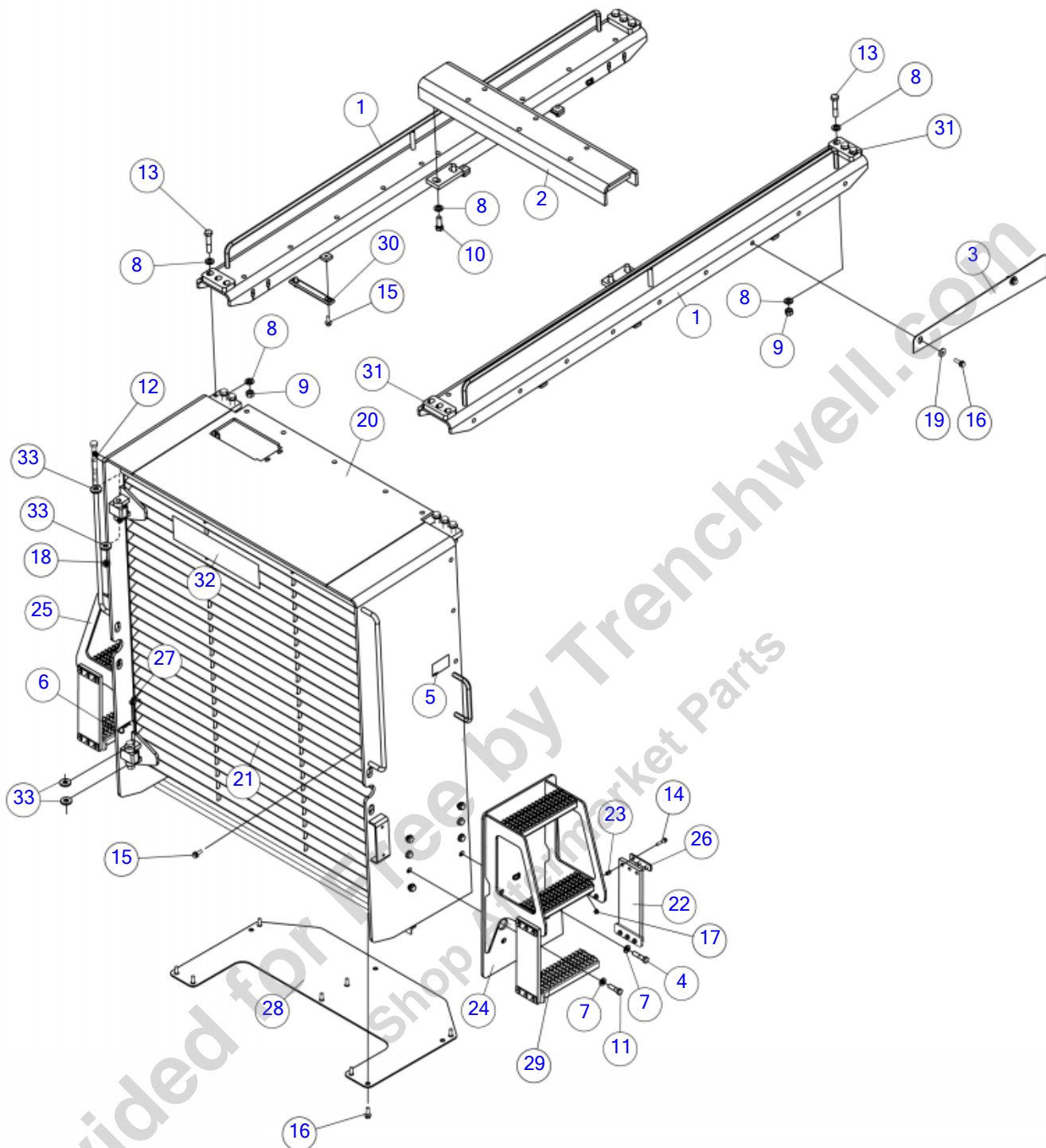


Illustration No.635088001-Not For Ordering

Radiator Wrap-Tier 3

Fig 03-02

REF NO.	PART NO.	DESCRIPTION	QTY.	REMARKS
1	112676001	CHANNEL-MAINFRAME SUPPORT	2	
2	112679001	CHANNEL-CENTER SUPPORT	1	
3	113040001	SHIELD-LEFT REAR	1	
4	160761001	BOLT-5/8 - 11 X 2 3/4 GR.8 HEX	8	
5	163648128	DECAL - ZIEGLER CAT ENGINE OEM INFO	1	
6	1793005	SPLIT PIN	1	
7	235715001	WASHER-FLATSTRL-.63-.66 X 1.31-.15-A325	16	
8	235717001	WASHER - 3/4" HARDENED FLAT	28	
9	235739001	NUT-3/4-10 GR8	12	
10	235746001	BOLT-3/4-10X2 GR8 HEX	4	
11	238245001	BOLT 5/8" - 11 X 2 1/4 Gr 8 HEX	8	
12	240340001	BOLT-3/4-10X5 GR8	2	
13	250572001	BOLT-3/4-10X3 3/4 GR8 HX	12	
14	296300775	SCREW HFS .38 16 X 1.75 GR8	24	
15	296300789	SCREW-HFS-.50-13X1.25-GR8	15	
16	296300790	SCREW HFS .50 13X1.50 GR8	10	
17	296300850	NUT-HEXFLGTL-.38-16-G	24	
18	397001	NUT-3/4-10 GR 8 SLTL	2	
19	510360637	WASHER FLATSTRL .50 .53X1.50 .19	2	
20	608828001	WRAP - RADIATOR	1	
21	608829001	GRILL	1	
22	611099001	FLASHING-BELT - STEP MOUNT	4	
23	611100001	SPACER -	24	
24	611102001	STEP - FRONT LEFT	1	
25	611103001	STEP - FRONT RIGHT	1	
26	611107001	PLATE - STEP	8	
27	612380001	PIN - RADIATOR STOP	1	
28	615399001	SHIELD - BELLY PAN	1	
29	628787001	STEP-FRONT	2	
30	632659001	BAR-HOSE RETAINER	6	
31	635201688	PLATE-SPACER	4	
32	7000A557	VERMEER DECAL(WHITE)	1	
33	91093001	WASHER-FLATHARD-.75-.81 X 1.88-.25	4	

Radiator Wrap-Tier 4 Final

Fig 03-03

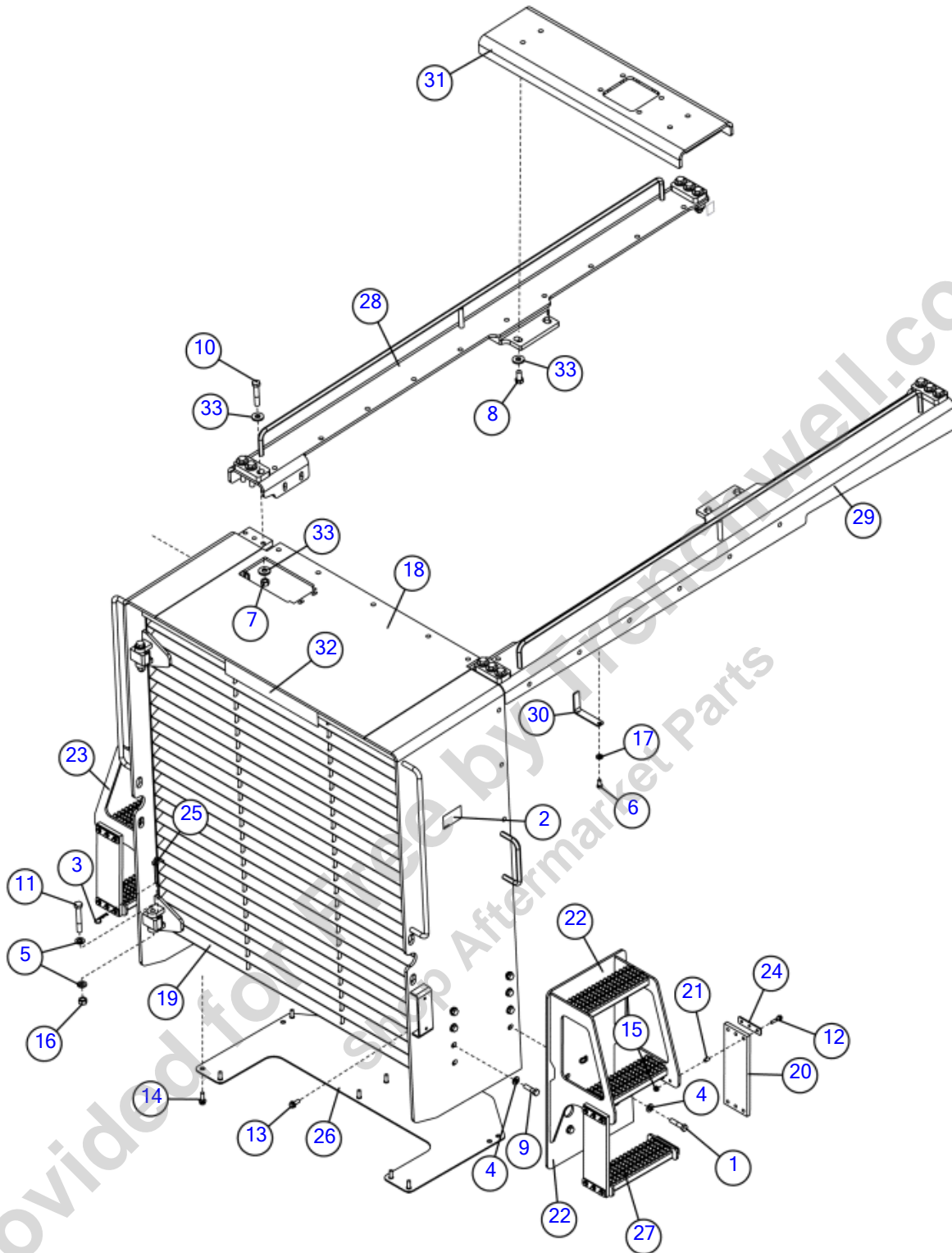


Illustration No.635202343-Not For Ordering

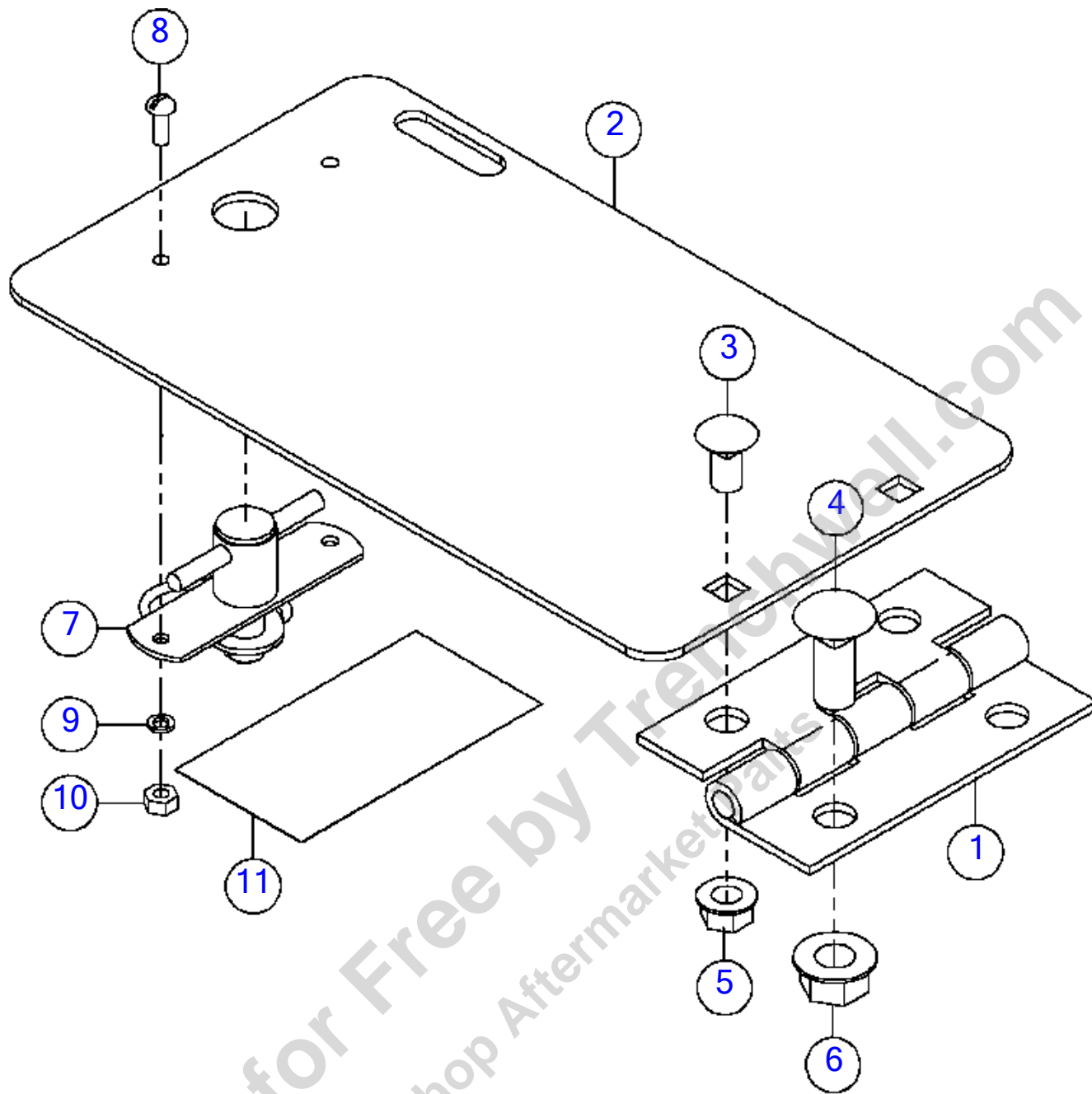
Radiator Wrap-Tier 4 Final

Fig 03-03

REF NO.	PART NO.	DESCRIPTION	QTY.	REMARKS
1	160761001	BOLT-5/8 - 11 X 2 3/4 GR.8 HEX	8	
2	163648128	DECAL - ZIEGLER CAT ENGINE OEM INFO	1	
3	1793005	SPLIT PIN	1	
4	235715001	WASHER-FLATSTRL-.63-.66 X 1.31-.15-A325	16	
5	235717001	WASHER - 3/4" HARDENED FLAT	4	
6	235729001	SCREW-HCS-.50-13X1.00-GR8	2	
7	235739001	NUT-3/4-10 GR8	12	
8	238217001	BOLT-3/4-10X1 1/2 GR8 HEX	4	
9	238245001	BOLT 5/8" - 11 X 2 1/4 Gr 8 HEX	8	
10	238881001	BOLT-3/4-10 X 4 HHCS GR8	12	
11	240340001	BOLT-3/4-10X5 GR8	2	
12	296300775	SCREW HFS .38 16 X 1.75 GR8	24	
13	296300789	SCREW-HFS-.50-13X1.25-GR8	3	
14	296300790	SCREW HFS .50 13X1.50 GR8	8	
15	296300850	NUT-HEXFLGTL-.38-16-G	24	
16	397001	NUT-3/4-10 GR 8 SLTL	2	
17	485025	WASHER-1/2 FLAT-HARDENED	2	
18	608828001	WRAP - RADIATOR	1	
19	608829001	GRILL	1	
20	611099001	FLASHING-BELT - STEP MOUNT	4	
21	611100001	SPACER -	24	
22	611102001	STEP - FRONT LEFT	1	
23	611103001	STEP - FRONT RIGHT	1	
24	611107001	PLATE - STEP	8	
25	612380001	PIN - RADIATOR STOP	1	
26	615399001	SHIELD - BELLY PAN	1	
27	628787001	STEP-FRONT	2	
28	635201681	WELDMENT-RIGHT CHANNEL	1	
29	635201683	WELDMENT-LEFT CHANNEL	1	
30	635201687	BRACKET-HOSE	2	
31	635201763	CHANNEL-CENTER SUPPORT	1	
32	7000A557	VERMEER DECAL(WHITE)	1	
33	91093001	WASHER-FLATHARD-.75-.81 X 1.88-.25	28	

Radiator Door Fill (SN 550-558)

Fig 03-04



Radiator Door Fill (SN 550-558)

Fig 03-04

REF NO.	PART NO.	DESCRIPTION	QTY.	REMARKS
1	97255001	HINGE	1	
2	97256001	COVER-RADIATOR FILL	1	
3	375006	BOLT-3/8-16X3/4 CARRIAGE GR. 5	2	
4	377012	BOLT-1/2-13X1 1/4"GD#5CARRIAGE	2	
5	1809003	NUT-3/8 SM FLGE T.L.	2	
6	1809001	NUT-1/2 SM FLGE TOP LOCK	2	
7	99983001	LATCH-SPRING 57-40-301-10	1	
8	533004	BOLT-10-24X1/2 RND.HD.SLTMACH	2	
9	480001	WASHER-3/16 S/T LOCK	2	
10	400001	NUT-3/16 NC HEX	2	
11	23261315	DECAL-WARNING	1	

Provided for Free by Trenchwell.com
Shop Aftermarket Parts

Radiator Door Fill (SN 559-)

Fig 03-04R01

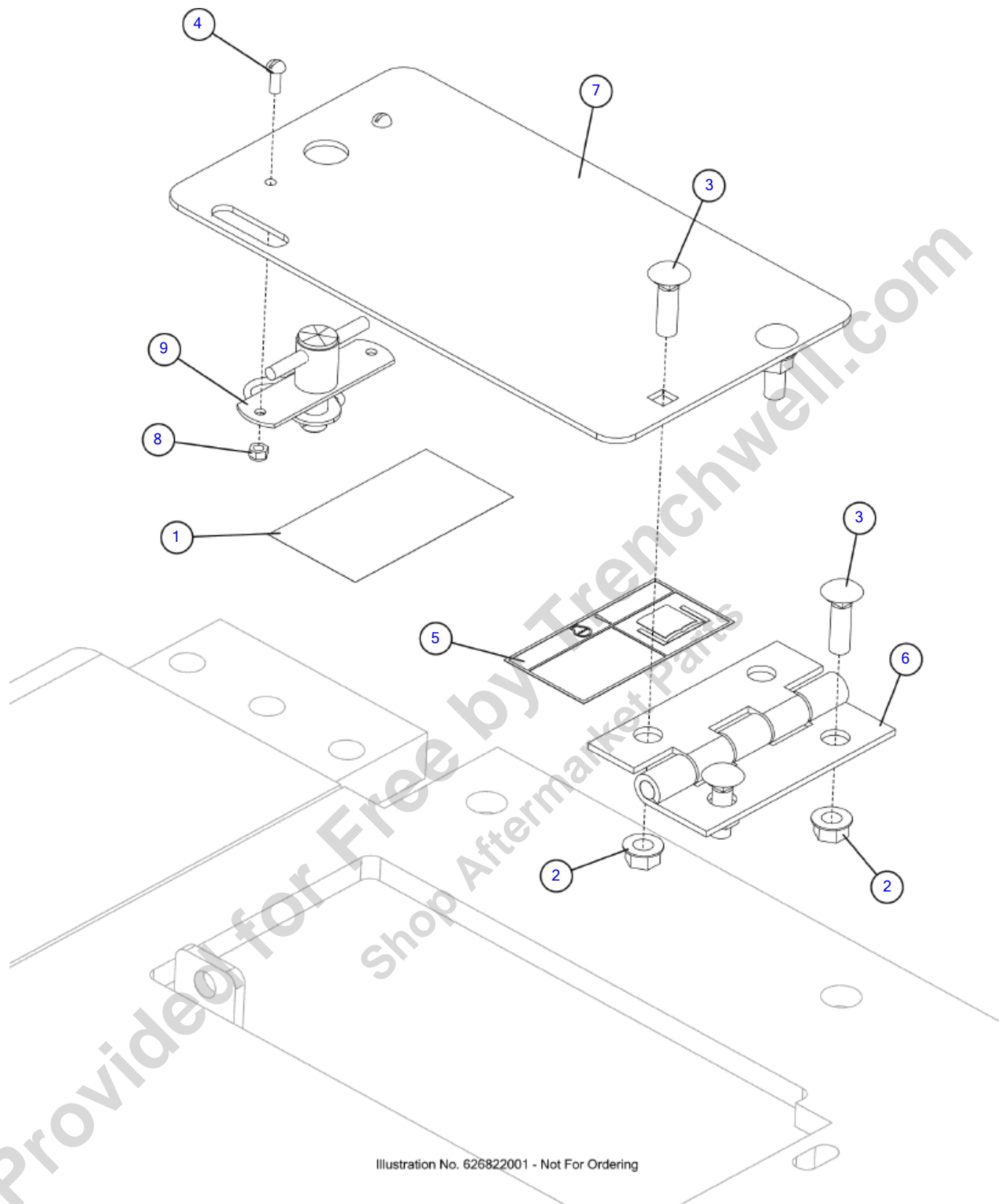


Illustration No. 626822001 - Not For Ordering

Radiator Door Fill (SN 559-)

Fig 03-04R01

REF NO.	PART NO.	DESCRIPTION	QTY.	REMARKS
1	2326315	DECAL WARNING	1	Domestic
	2326I315	DECAL - WARNING	1	International
2	296300895	NUT, HEXFLG-.38-16-GR8-YZ	4	
3	510308112	BOLT CARG .38 16X1.25 GR5	4	
4	533004	BOLT-10-24X1/2 RND.HD.SLTMACH	2	
5	7000G712	DECAL-COOLANT SPECS NOTICE	1	Domestic
	700IG712	DECAL-COOLANT SPECS NOTICE	A/R	International
6	97255001	HINGE	1	
7	97256001	COVER-RADIATOR FILL	1	
8	99042001	NUT-NYLOCK-#10-24-GR2-CZ	2	
9	99983001	LATCH-SPRING 57-40-301-10	1	

Provided for Free by Trenchwell.com
Shop Aftermarket Parts

Top Shields-Tier 3

Fig 03-05

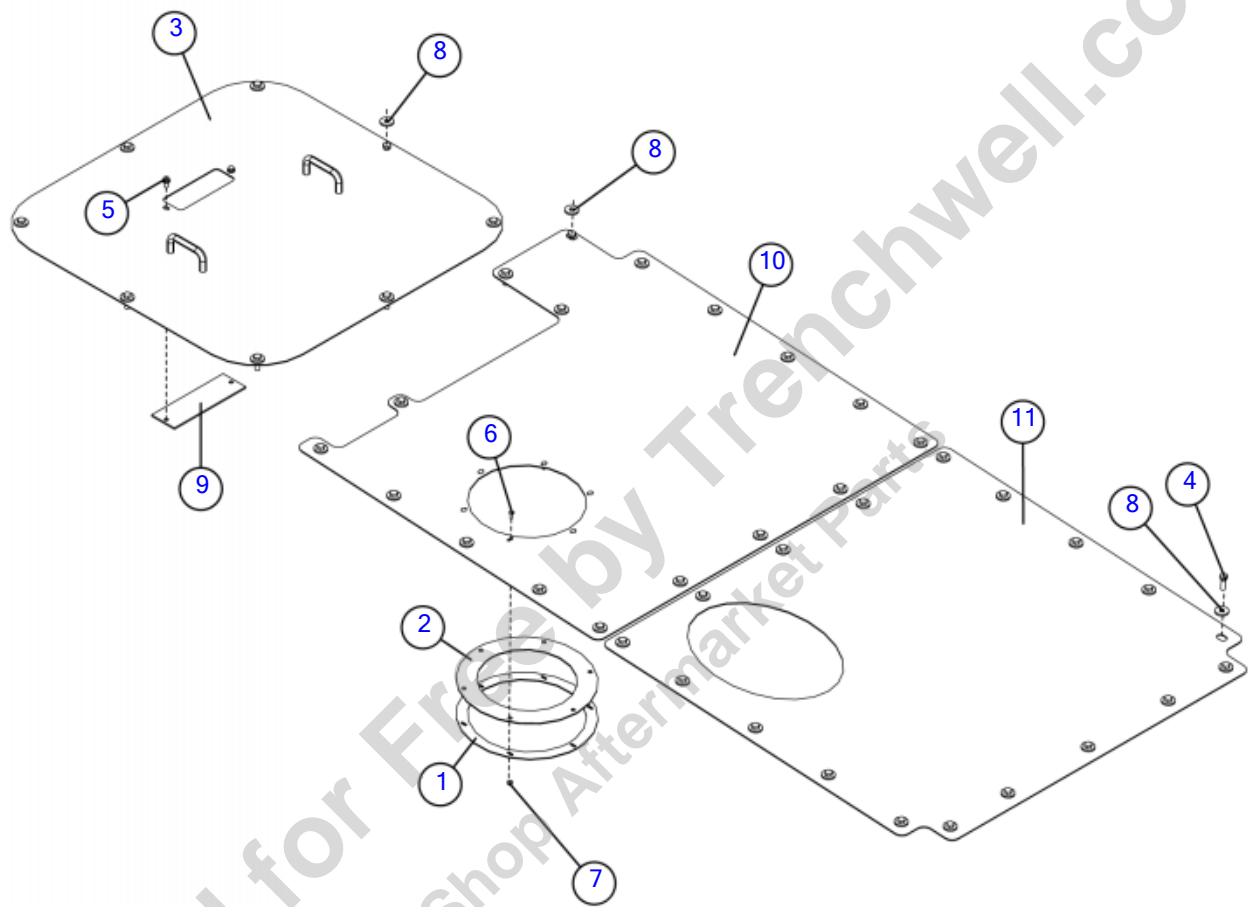


Illustration No. 635087001 - Not For Ordering

Top Shields-Tier 3

Fig 03-05

REF NO.	PART NO.	DESCRIPTION	QTY.	REMARKS
1	113045001	FLANGE-HOLD DOWN	1	
2	113046001	FLANGE-RUBBER	1	
3	113047001	SHIELD-VALVEBANK	1	
4	235721001	BOLT-1/2-13X1 1/2 GR8	43	
5	296300771	SCREW-HFS-.38-16X.75GR8	2	
6	373006	BOLT - 1/4"-20X3/4"GD#5CARRIAGE	6	
6	(510308156)	BOLT-CARG-.25-20X.75-GR5	6	
7	510352505	NUT-SMFLGTL-.25-20-G	6	
8	510360637	WASHER FLATSTRL .50 .53X1.50 .19	43	
9	617406001	PLATE - BULKHEAD COVER	1	
10	617468001	SHIELD - TOP	1	
11	625017001	SHIELD-TOP	1	

Provided for Free by Trenchwell.com
Shop Aftermarket Parts

Top Shields-Tier 4 Final

Fig 03-06

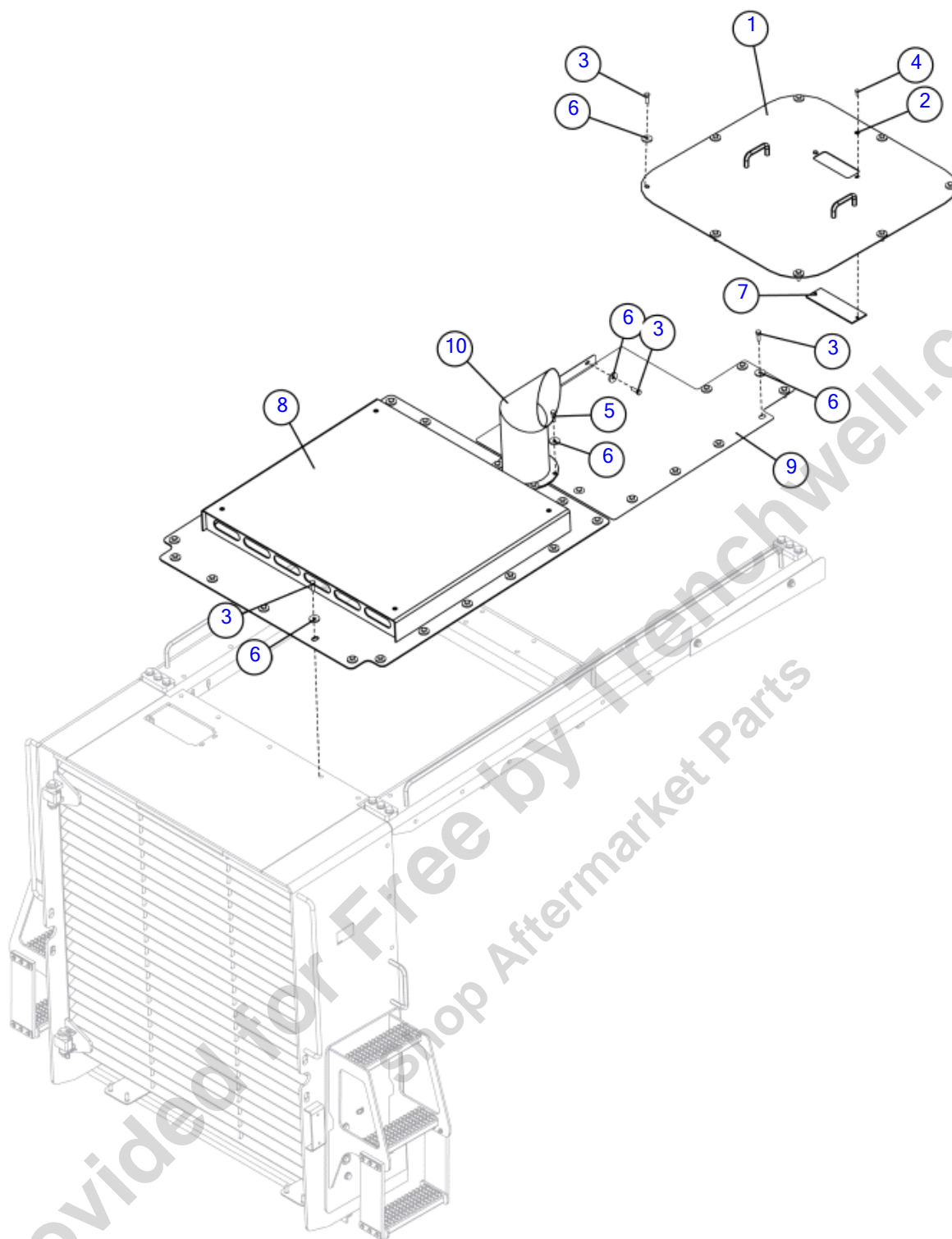


Illustration No.635201587-Not For Ordering

Top Shields-Tier 4 Final

Fig 03-06

REF NO.	PART NO.	DESCRIPTION	QTY.	REMARKS
1	113047001	SHIELD-VALVEBANK	1	
2	235713001	3/8 F436 HARDENED FLAT WASHER	2	
3	235721001	BOLT-1/2-13X1 1/2 GR8	37	
4	235726001	BOLT-3/8-16X3/4 GR8 HEX	2	
5	240334001	SCREW-HCS-.50-13X1.75-GR8	4	
6	510361621	WASHER-FLATWRT-.50-.53X1.75-.25	41	
7	617406001	PLATE - BULKHEAD COVER	1	
8	635201564	WELDMENT-TOP SHIELD	1	
9	635201734	TOP SHIELD-REAR	1	
10	635500935	PIPE-FLEXIBLE EXHAUST	1	

Provided for Free by Trenchwell.com
Shop Aftermarket Parts

Side Shields

Fig 03-07

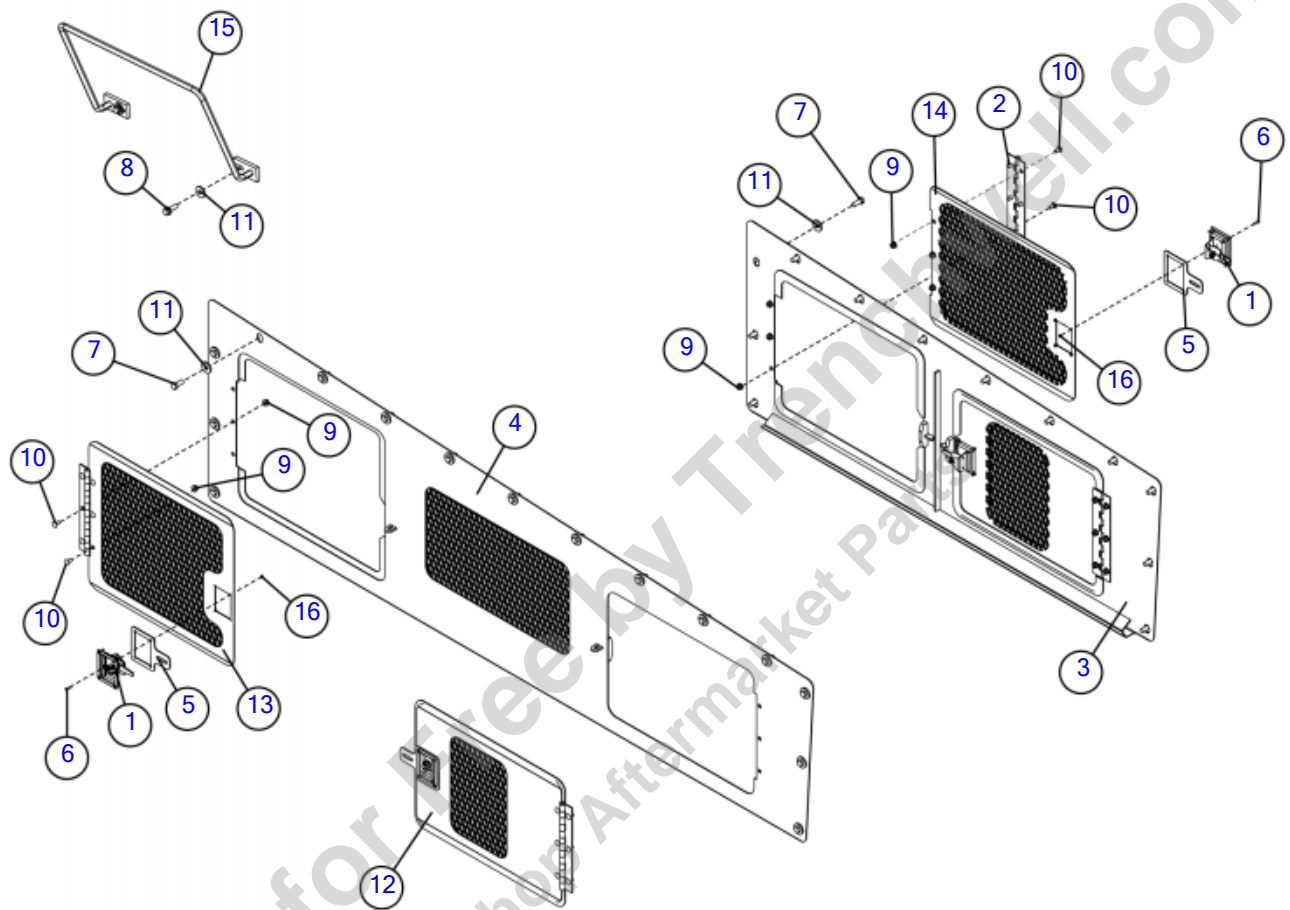


Illustration No.635089001-Not For Ordering

Side Shields

Fig 03-07

REF NO.	PART NO.	DESCRIPTION	QTY.	REMARKS
1	100339001	LATCH-FLUSH CUP TYPE W/HOLES	4	
2	113022001	HINGE-S.S.PIN	4	
3	113034001	SHIELD-LEFT SIDE	1	
4	113038001	SHIELD-RIGHT SIDE	1	
5	140625001	PLATE-LATCH	4	
6	1802006	BOLT-10-24 X 3/4 RND HD STOVE	16	
7	235737001	BOLT-1/2-13X1 1/4 GR8	27	
8	296300790	SCREW HFS .50 13X1.50 GR8	2	
9	296300850	NUT-HEXFLGTL-.38-16-G	24	
10	510308107	BOLT - CARG.-.38-16X.75-GR5	24	
11	510360637	WASHER FLATSTRL .50 .53X1.50 .19	29	
12	601449001	DOOR-SIDE FRONT	2	
13	601452001	DOOR-SIDE REAR R.H.	1	
14	601453001	DOOR-SIDE REAR L.H.	1	
15	626479001	HANDLE-GRAB	1	
16	99042001	NUT-NYLOCK-#10-24-GR2-CZ	16	

Provided for Free by Trenchwell.com
Shop Aftermarket Parts

Side Shield-Left

Fig 03-08

**FIGURE
REMOVED**

Side Shield-Left

Fig 03-08

REF NO.	PART NO.	DESCRIPTION	QTY.	REMARKS
1		FIGURE REMOVED	A/R	See Fig. 3-7

Provided for Free by Trenchwell.com
Shop Aftermarket Parts

Toolbox-Tier 3

Fig 03-09

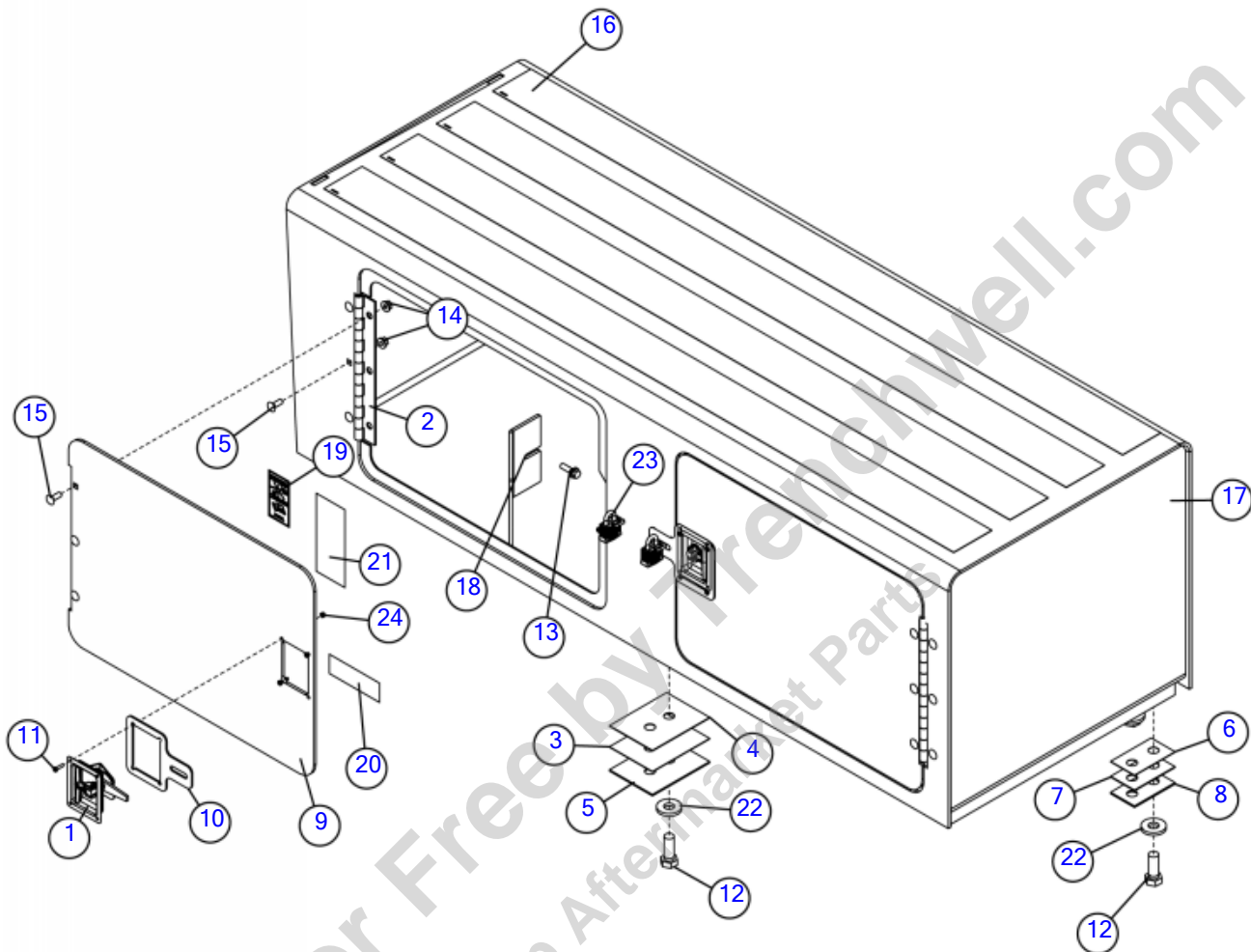


Illustration No.628231001-Not For Ordering

Toolbox-Tier 3

Fig 03-09

REF NO.	PART NO.	DESCRIPTION	QTY.	REMARKS
1	100339001	LATCH-FLUSH CUP TYPE W/HOLES	2	
2	113022001	HINGE-S.S.PIN	2	
3	113110001	SPACER-20GA.	A/R	
4	113111001	SPACER-16 GA.	A/R	
5	113112001	SPACER-11 GA.	A/R	
6	113113001	SPACER-20 GA.	A/R	
7	113114001	SPACER-16 GA.	A/R	
8	113115001	SPACER-11 GA.	A/R	
9	113193001	PLATE-DOOR TOOL/BATTERY BOX	2	
10	140625001	PLATE-LATCH	2	
11	1802006	BOLT-10-24 X 3/4 RND HD STOVE	8	
12	235746001	BOLT-3/4-10X2 GR8 HEX	6	
13	296300773	SCREW-HFS-.38-16X1.25-GR8	1	
14	296300850	NUT-HEXFLGTL-.38-16-G	13	
15	510308110	BOLT-CARG-.38-16X1.00-GR5	12	
16	5776001	TAPE - SAFETY WALK 4in WIDE PER FOOT	4	
17	627297001	TOOL BOX	1	
18	632581001	DIVIDER PLATE-TOOLBOX	1	
19	70000044	DECAL - WARNING	1	
20	7000A568	DECAL-IMPORTANT	1	
21	700ID286	DECAL-FUSE BANK	1	
22	91093001	WASHER-FLATHARD-.75-.81 X 1.88-.25	6	
23	94119001	PADLOCK (KEYED-ALIKE LOCK)	2	
24	99042001	NUT-NYLOCK-#10-24-GR2-CZ	8	

Toolbox-Tier 4 Final

Fig 03-10

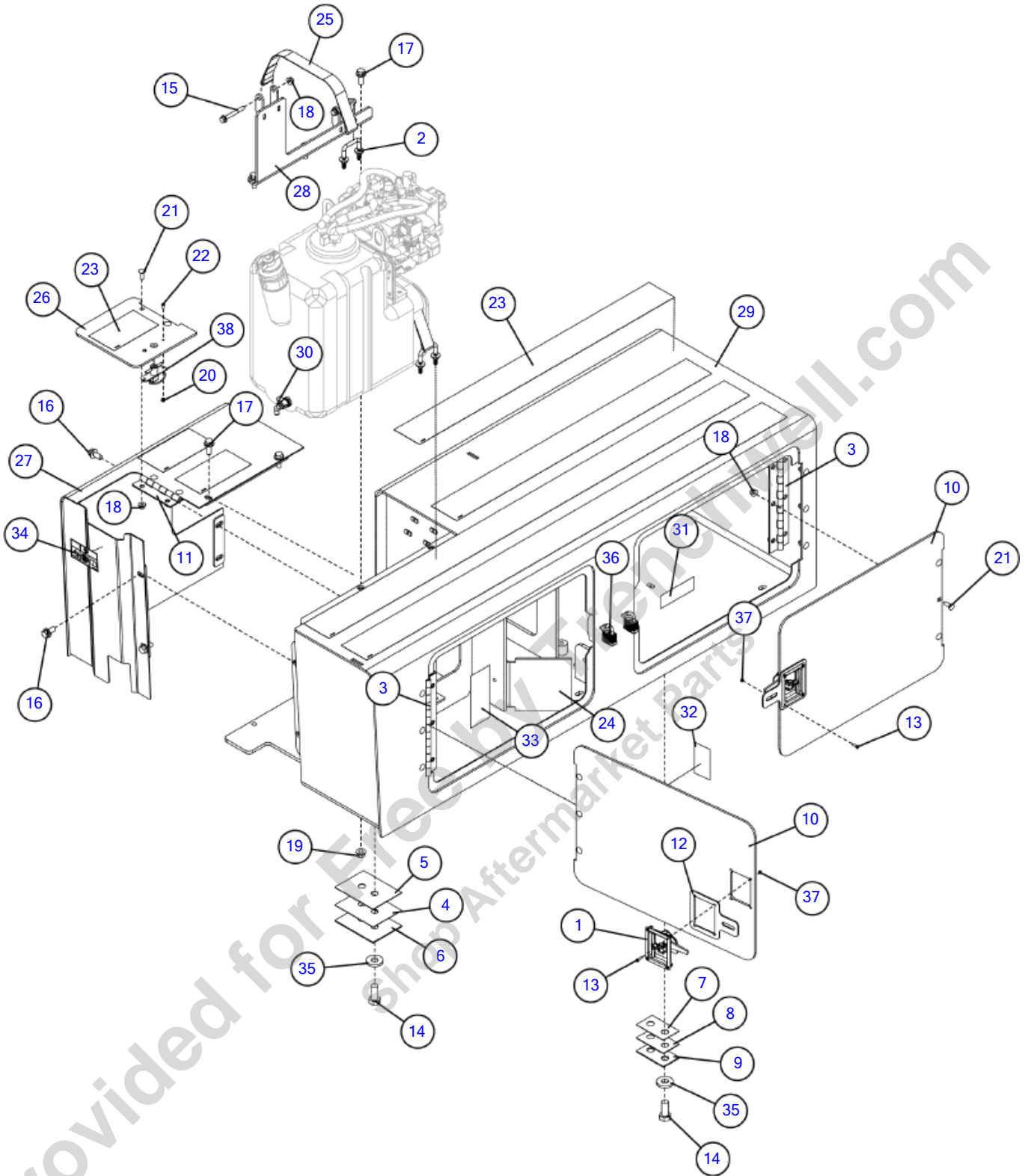


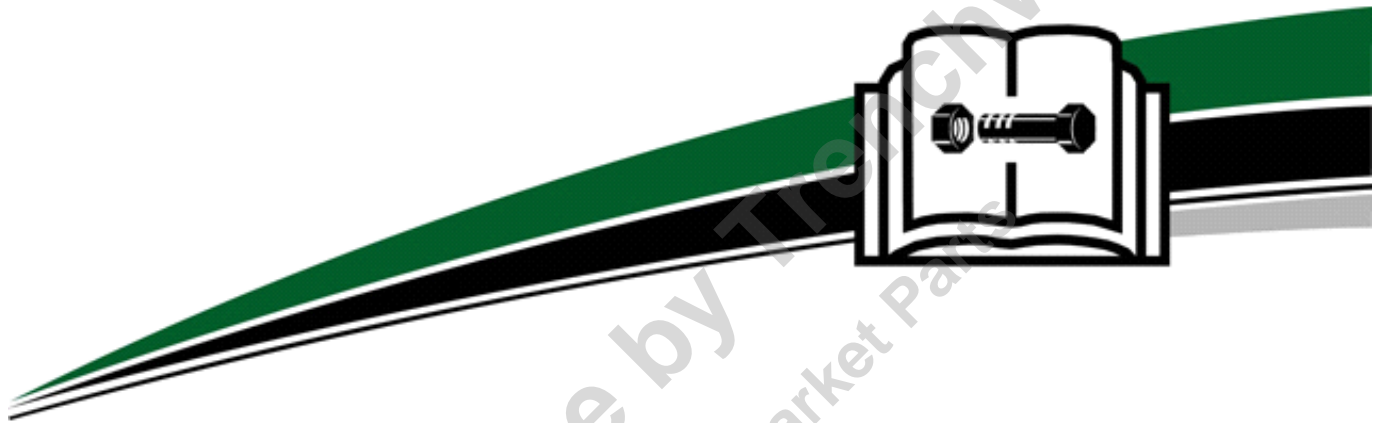
Illustration No. 635201494 - Not For Ordering

Toolbox-Tier 4 Final

Fig 03-10

REF NO.	PART NO.	DESCRIPTION	QTY.	REMARKS
1	100339001	LATCH-FLUSH CUP TYPE W/HOLES	2	
2	105135001	U-BOLT-SQUARE BEND	2	
3	113022001	HINGE-S.S.PIN	2	
4	113110001	SPACER-20GA.	1	
5	113111001	SPACER-16 GA.	1	
6	113112001	SPACER-11 GA.	1	
7	113113001	SPACER-20 GA.	1	
8	113114001	SPACER-16 GA.	1	
9	113115001	SPACER-11 GA.	1	
10	113193001	PLATE-DOOR TOOL/BATTERY BOX	2	
11	163753043	HINGE-SS PIN 11 GA X 6.0 X 3.0	1	
11	(121971001)	HINGE 6.00" SS PIN	1	
12	140625001	PLATE-LATCH	2	
13	1802006	BOLT-10-24 X 3/4 RND HD STOVE	8	
14	243905001	SCREW HCS .75 10X1.75 GR8	6	
15	296300780	SCREW-HFS-.38-16X3.00-GR8-YZ	2	
16	296300788	SCREW HFS .50 13 X 1.00 GR8	4	
17	296300789	SCREW-HFS-.50-13X1.25-GR8	5	
18	296300850	NUT-HEXFLGTL-.38-16-G	18	
19	296300851	NUT-HEXFLGTL-.50-13-G	3	
20	400001	NUT-3/16 NC HEX	2	
21	510308110	BOLT-CARG-.38-16X1.00-GR5	16	
22	533004	BOLT-10-24X1/2 RND.HD.SLTMACH	2	
23	5776001	TAPE - SAFETY WALK 4in WIDE PER FOOT	7	
24	632581001	DIVIDER PLATE-TOOLBOX	1	
25	635201476	STRAP- 1.5 WIDE	2	
26	635201479	LID-DEF TANK	1	
27	635201482	WELDMENT-SIDE PLATE	1	
28	635201483	WELDMENT-HOOKS	1	
29	635201493	WELDMENT-TOOLBOX & DEF TANK	1	
30	635201704	SS DRAIN VALVE	1	
31	7000A568	DECAL-IMPORTANT	1	
32	7000I044	DECAL - WARNING	1	
33	700ID286	DECAL-FUSE BANK	1	
34	700IG063	DECAL- DIESEL EXHAUST FLUID (DEF)	1	
35	91093001	WASHER-FLATHARD-.75-.81 X 1.88-.25	6	
36	94119001	PADLOCK (KEYED-ALIKE LOCK)	2	
37	99042001	NUT-NYLOCK-#10-24-GR2-CZ	8	
38	99983001	LATCH-SPRING 57-40-301-10	1	

Undercarriage



Provided for Free by TractorParts.com
Shop Aftermarket Parts

Undercarriage

Left Track	Fig	04-01
Right Track	Fig	04-02
Left Track Tensioner (SN 550-577)	Fig	04-03
Left Track Tensioner (SN 578-)	Fig	04-03R01
Right Track Tensioner (SN 550-577)	Fig	04-04
Breakdown-Track Tension Cylinder (SN 550-577)	Fig	04-04T01
Right Track Tensioner (SN 578-)	Fig	04-04R01
Breakdown-Track Tension Cylinder (SN 578-)	Fig	04-04T01R01
Track Gearbox	Fig	04-05
Breakdown-Planetary	Fig	04-05T01
Track Chain	Fig	04-06

Provided for Free by Trenchwell.com
Shop Aftermarket Parts

Left Track
Fig 04-01

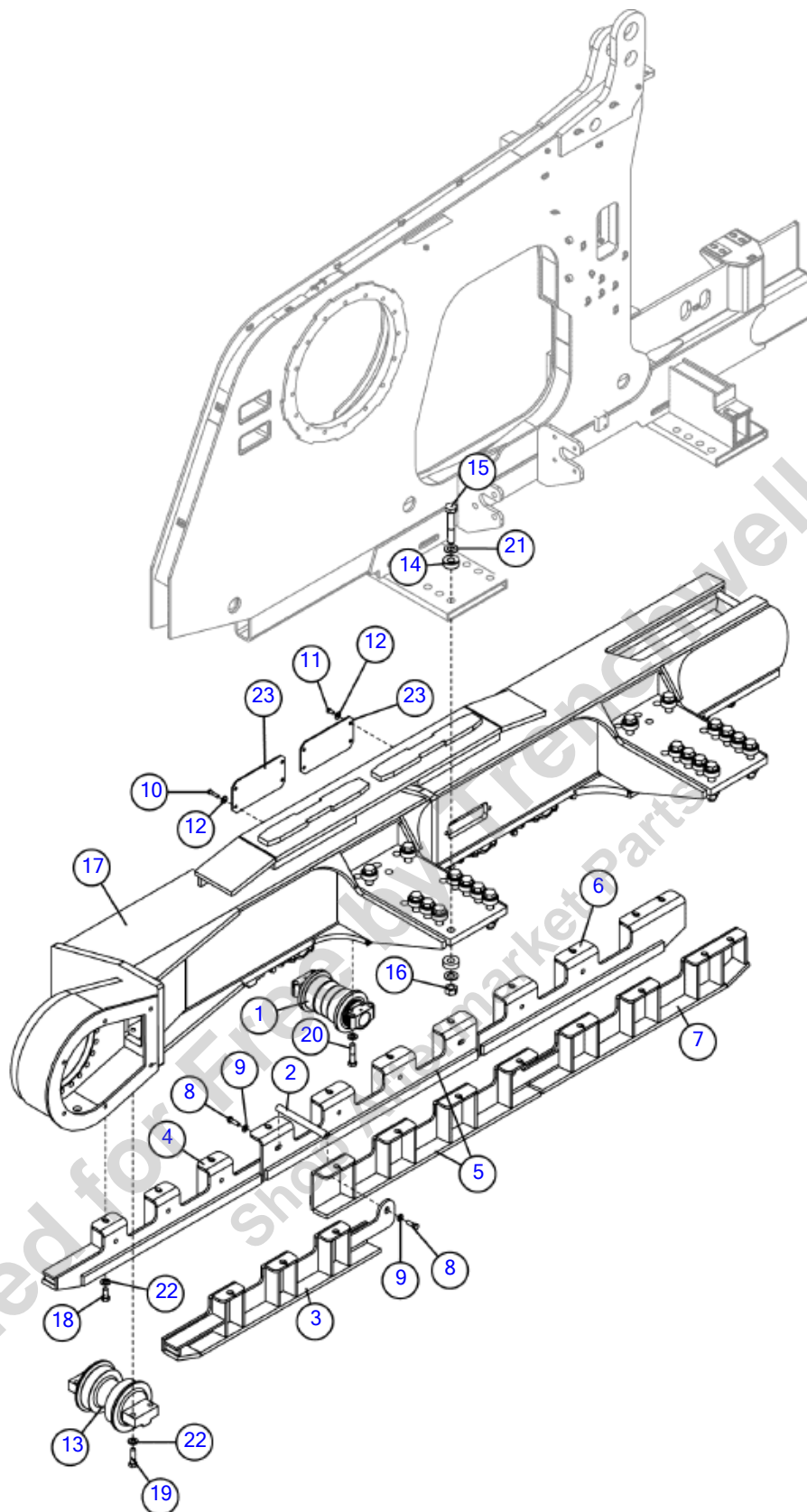


Illustration No.635050305-Not For Ordering

Left Track

Fig 04-01

REF NO.	PART NO.	DESCRIPTION	QTY.	REMARKS
1	123925001	ROLLER-D7 TRACK	7	
2	123964001	TUBE-TRACK GUARD SPACER	9	
3	123979001	WELD-RIGHT REAR GUARD	1	
4	123980001	WELD-LEFT REAR GUARD	1	
5	123981001	WELD-MIDDLE TRACK GUARD	2	
6	123982001	WELD-LEFT FRONT GUARD	1	
7	123983001	WELD-RIGHT FRONT GUARD	1	
8	145645001	BOLT - 5/8 - 11 X 2 GR.8 ZYC	18	
9	235715001	WASHER-FLATSTRL-.63-.66 X 1.31-.15-YZ	18	
10	235718001	BOLT-1/2-13X2 GR8 HEX ZINC PLT	4	
11	235729001	SCREW-HCS-.50-13X1.00-GR8-YZ	4	
12	510337611	WASHER-FLATSTD - .50-.56X1.38-.11-YZ	8	
13	607748001	ROLLER- HEAVY D7 TRACK	3	
14	615509001	WASHER - HEAVY	40	
15	615544001	1-1/4-7x7 GR 9 HEX HD C/S	20	
16	615545001	NUT-HEX-1.25-7-L9-PLN.	20	
17	628614001	WELD-LEFT TRACK FRAME	1	
18	70055016	BOLT-7/8-9X1 3/4 GR.8 HEX	22	
19	70055030	BOLT-7/8 NCX3 GR.8 HEX	12	
20	72009001	BOLT-7/8NCX4 GRADE 8	28	
21	72032001	WASHER-1 1/4 HARDENED	40	
22	93403001	WASHER - 7/8" HARDEN	62	
23	98690001	COVER	2	

Right Track
Fig 04-02

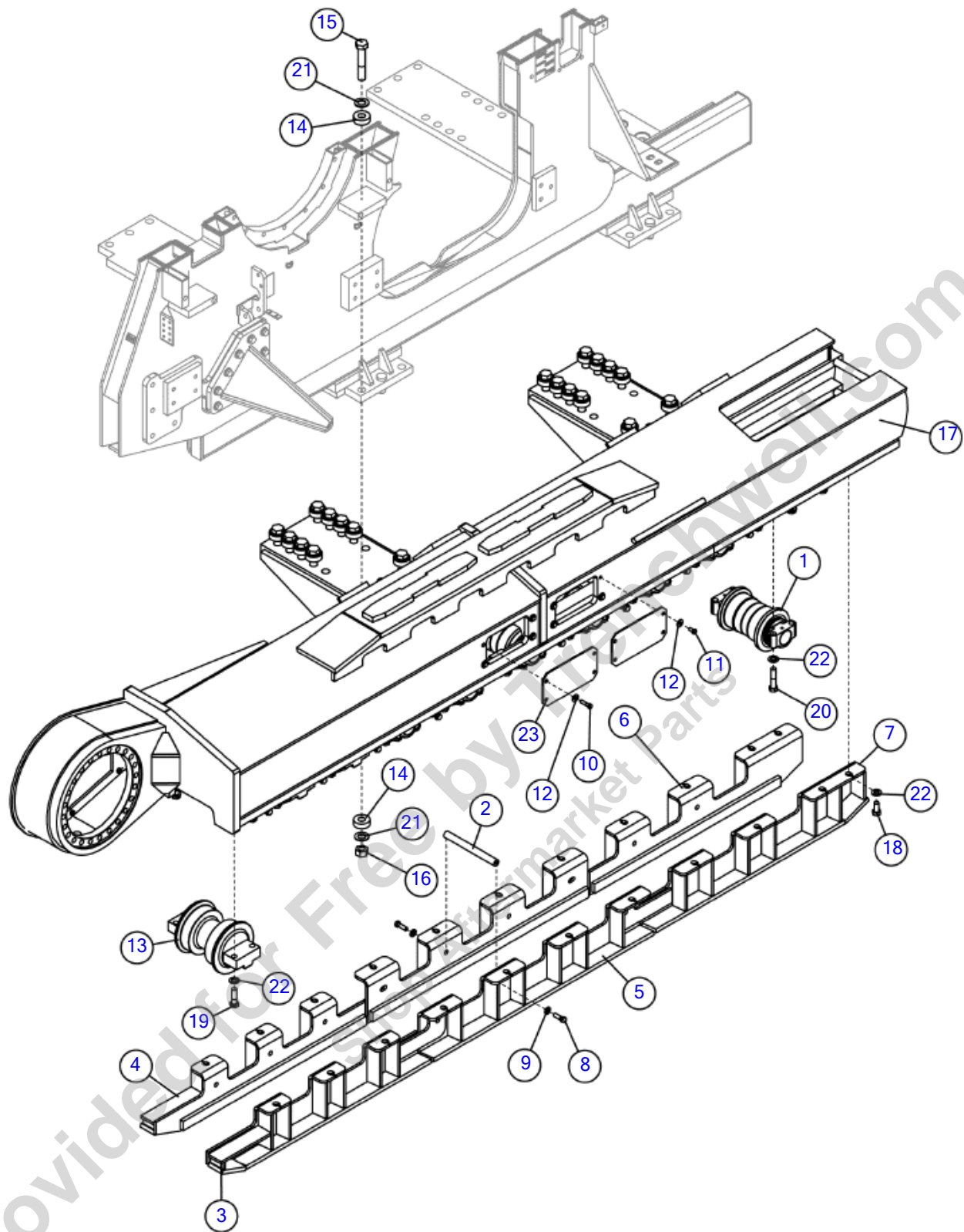


Illustration No. 635050308-Not For Ordering

Right Track
Fig 04-02

REF NO.	PART NO.	DESCRIPTION	QTY.	REMARKS
1	123925001	ROLLER-D7 TRACK	7	
2	123964001	TUBE-TRACK GUARD SPACER	9	
3	123979001	WELD-RIGHT REAR GUARD	1	
4	123980001	WELD-LEFT REAR GUARD	1	
5	123981001	WELD-MIDDLE TRACK GUARD	2	
6	123982001	WELD-LEFT FRONT GUARD	1	
7	123983001	WELD-RIGHT FRONT GUARD	1	
8	145645001	BOLT - 5/8 - 11 X 2 GR.8 ZYC	18	
9	235715001	WASHER-FLATSTRL-.63-.66 X 1.31-.15-YZ	18	
10	235718001	BOLT-1/2-13X2 GR8 HEX ZINC PLT	4	
11	235729001	SCREW-HCS-.50-13X1.00-GR8-YZ	4	
12	510337611	WASHER-FLATSTD - .50-.56X1.38-.11-YZ	8	
13	607748001	ROLLER- HEAVY D7 TRACK	3	
14	615509001	WASHER - HEAVY	40	
15	615544001	1-1/4-7x7 GR 9 HEX HD C/S	20	
16	615545001	NUT-HEX-1.25-7-L9-PLN.	20	
17	628616001	WELD-RIGHT TRACK FRAME	1	
18	70055016	BOLT-7/8-9X1 3/4 GR.8 HEX	22	
19	70055030	BOLT-7/8 NCX3 GR.8 HEX	12	
20	72009001	BOLT-7/8NCX4 GRADE 8	28	
21	72032001	WASHER-1 1/4 HARDENED	40	
22	93403001	WASHER - 7/8" HARDEN	62	
23	98690001	COVER	2	

Left Track Tensioner (SN 550-577)

Fig 04-03

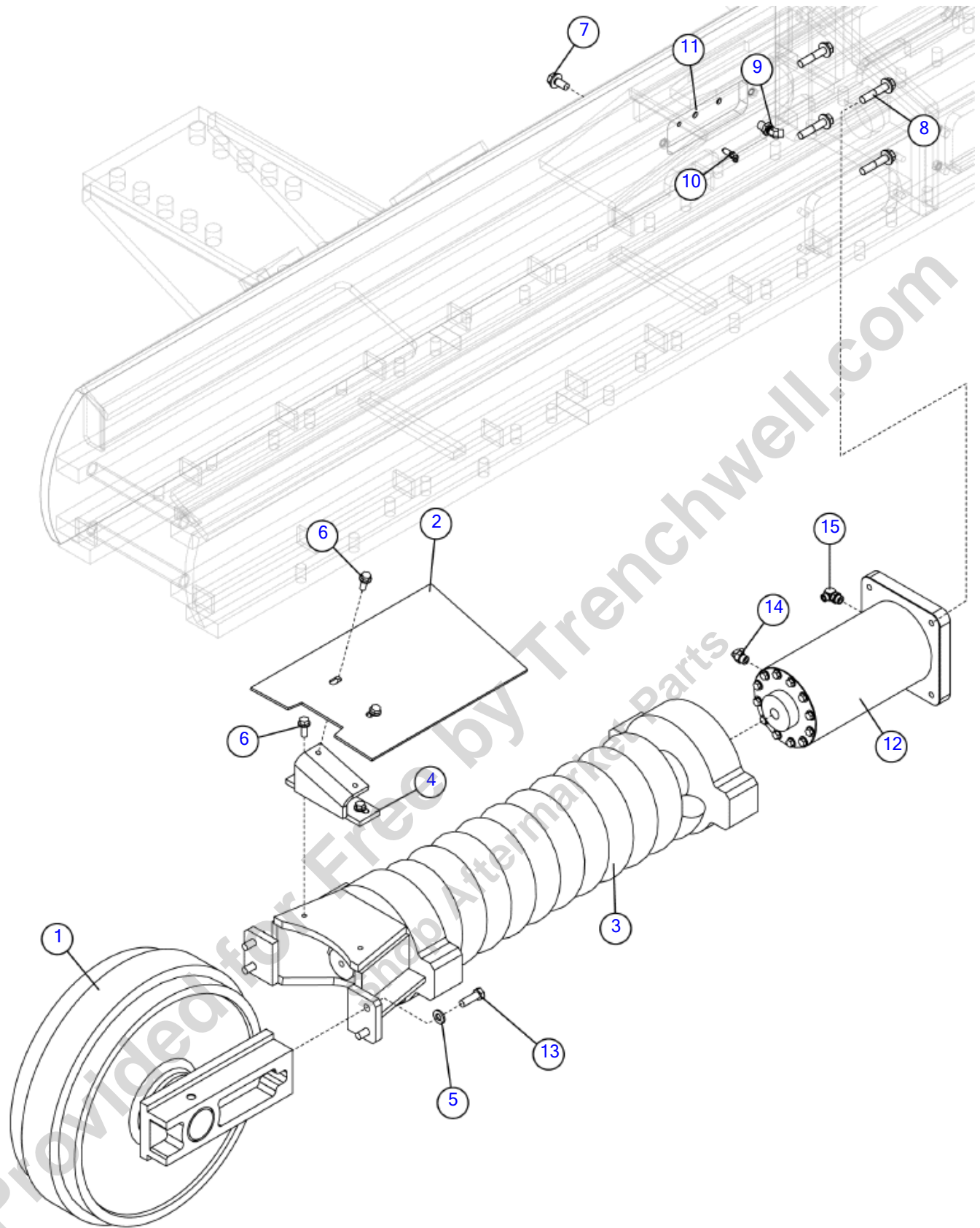


Illustration No.635050306-Not For Ordering

Left Track Tensioner (SN 550-577)

Fig 04-03

REF NO.	PART NO.	DESCRIPTION	QTY.	REMARKS
1	112407001	ROLLER-D6 TRACK END IDLER	1	
2	123948001	PLATE-IDLER SCRAPER	1	
3	123978001	ASSY-TRACK CHAIN TENSIONER	1	
4	123986001	WELD-IDLER SCRAPER MOUNT	1	
5	235715001	WASHER-FLATSTRL-.63-.66 X 1.31-.15-A325	4	
6	296300789	SCREW-HFS-.50-13X1.25-GR8	4	
7	296300799	SCREW HFS .63 11 X 1.25 GR8	2	
8	296300806	SCREW HFS .63 - 11 X 3.00 GR8 YZ	4	
9	400006002	FITTING-BH45-6MORFF-6MORFF	1	
10	60725001	ELBOW-4M JIC 45 DEG.BULKHEAD	1	
11	607752001	PLATE-COVER	1	
12	635215364	CYLINDER - HYDRAULIC-6.00 X 7.69 X 3.50 4500 PSI	1	Breakdown Fig.4-4T01
12	(611655001)	CYLINDER-TRACK TENSION	1	Breakdown Fig.4-4T01
13	78201001	BOLT-M16X50 DIN 933 GRADE 8.8	4	
14	86671001	FITTING-90-4MJ-8MORBA	1	
15	97685001	FITTING-8MOR X 6MORFS 90 DEG.	1	

Provided for Free by Trenchwell.com
Shop Aftermarket Parts

Left Track Tensioner (SN 578-)

Fig 04-03R01

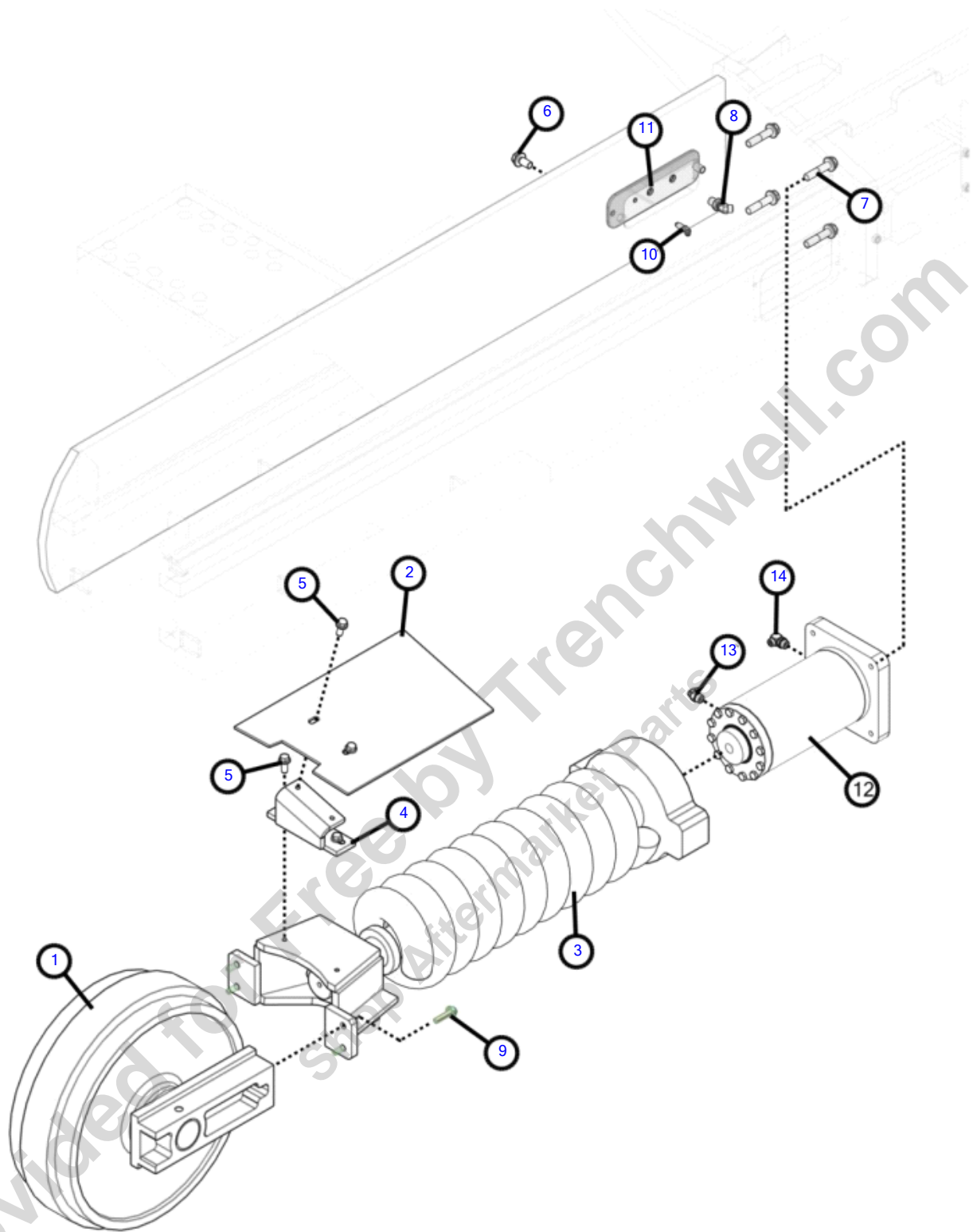


Illustration No. 635050306 - Not For Ordering

Left Track Tensioner (SN 578-)

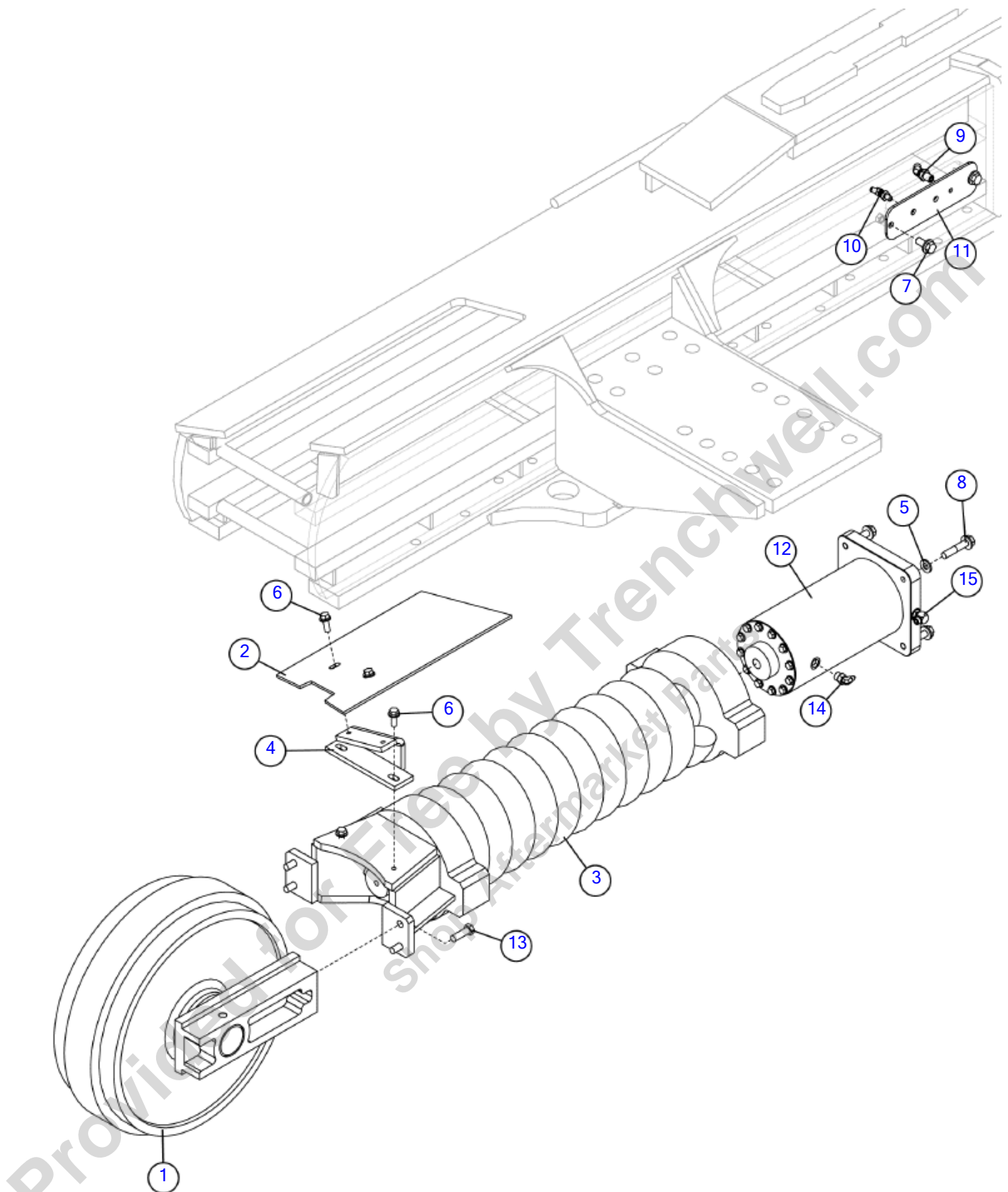
Fig 04-03R01

REF NO.	PART NO.	DESCRIPTION	QTY.	REMARKS
1	112407001	ROLLER-D6 TRACK END IDLER	1	
2	123948001	PLATE-IDLER SCRAPER	1	
3	123978001	ASSY-TRACK CHAIN TENSIONER	1	
4	123986001	WELD-IDLER SCRAPER MOUNT	1	
5	296300789	SCREW-HFS-.50-13X1.25-GR8	4	
6	296300799	SCREW HFS .63 11 X 1.25 GR8	2	
7	296300806	SCREW HFS .63 - 11 X 3.00 GR8 YZ	4	
8	400006002	FITTING-BH45-6MORFF-6MORFF	1	
9	507614050	SCREW-HFS,M16-2.00X50,10.9,ANSI,B18.2.3.9M,FT	4	
10	60725001	ELBOW-4M JIC 45 DEG.BULKHEAD	1	
11	607752001	PLATE-COVER	1	
12	635215364	CYLINDER - HYDRAULIC-6.00 X 7.69 X 3.50 4500 PSI	1	
	635216242	SEAL KIT	1	
13	86671001	FITTING-90-4MJ-8MORBA	1	
14	97685001	FITTING-8MOR X 6MORFS 90 DEG.	1	

Provided for Free by Trenchwell.com
Shop Aftermarket Parts

Right Track Tensioner (SN 550-577)

Fig 04-04



Right Track Tensioner (SN 550-577)

Fig 04-04

REF NO.	PART NO.	DESCRIPTION	QTY.	REMARKS
1	112407001	ROLLER-D6 TRACK END IDLER	1	
2	123948001	PLATE-IDLER SCRAPER	1	
3	123978001	ASSY-TRACK CHAIN TENSIONER	1	
4	123986001	WELD-IDLER SCRAPER MOUNT	1	
5	235715001	WASHER-FLATSTRL-.63-.66 X 1.31-.15-A325	4	
6	296300789	SCREW-HFS-.50-13X1.25-GR8	4	
7	296300799	SCREW HFS .63 11 X 1.25 GR8	2	
8	296300806	SCREW HFS .63 - 11 X 3.00 GR8 YZ	4	
9	400006002	FITTING-BH45-6MORFF-6MORFF	1	
10	60728001	FITTING - 6MJIC X 45 BULK ELBOW	1	
11	607752001	PLATE-COVER	1	
12	635215364	CYLINDER - HYDRAULIC-6.00 X 7.69 X 3.50 4500 PSI	1	Breakdown Fig.4-4T01
12	(611655001)	CYLINDER-TRACK TENSION	1	Breakdown Fig.4-4T01
13	78201001	BOLT-M16X50 DIN 933 GRADE 8.8	4	
14	86671001	FITTING-90-4MJ-8MORBA	1	
15	97685001	FITTING-8MOR X 6MORFS 90 DEG.	1	

Right Track Tensioner (SN 578-)

Fig 04-04R01

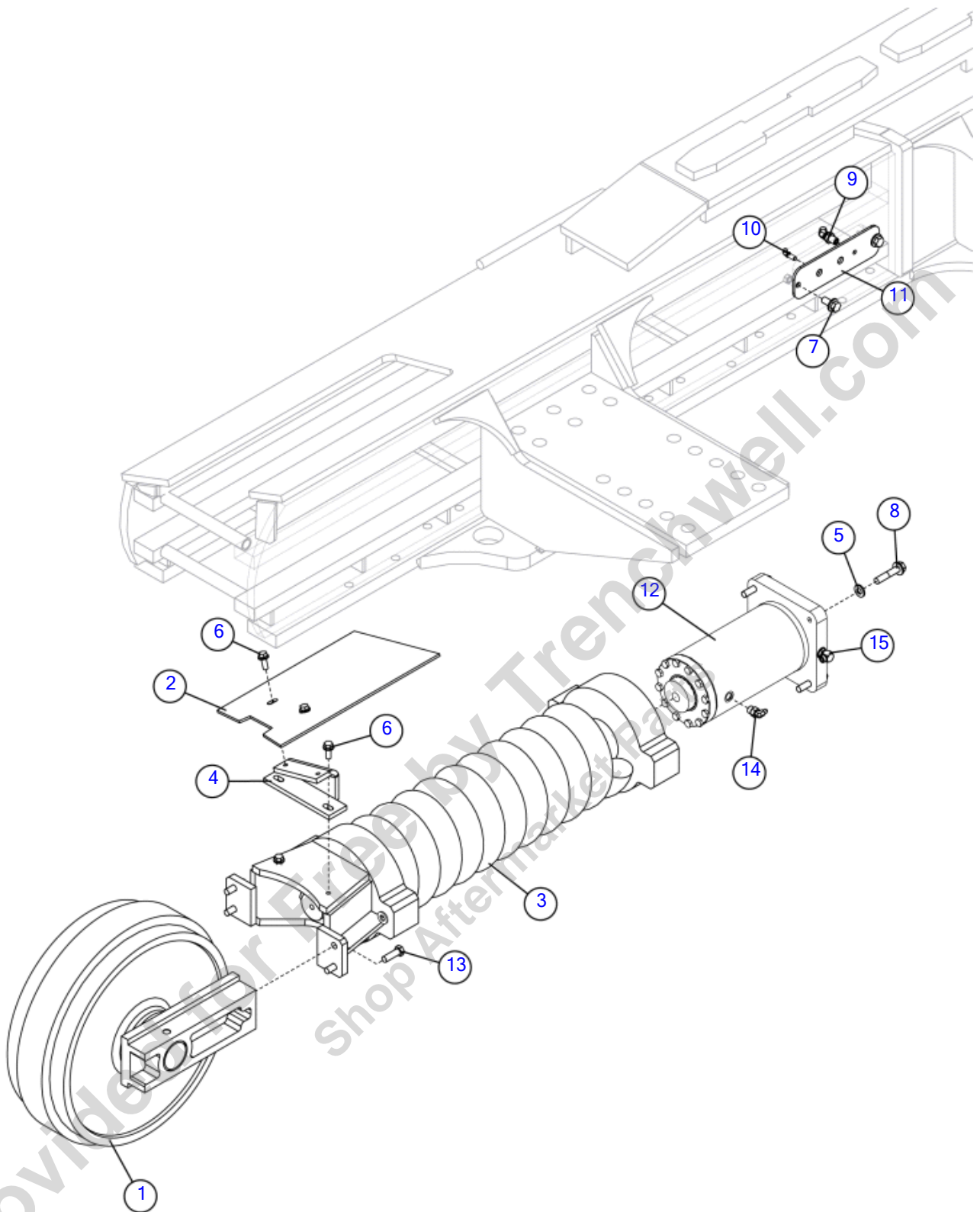


Illustration No. 635050309 - Not For Ordering

Right Track Tensioner (SN 578-)

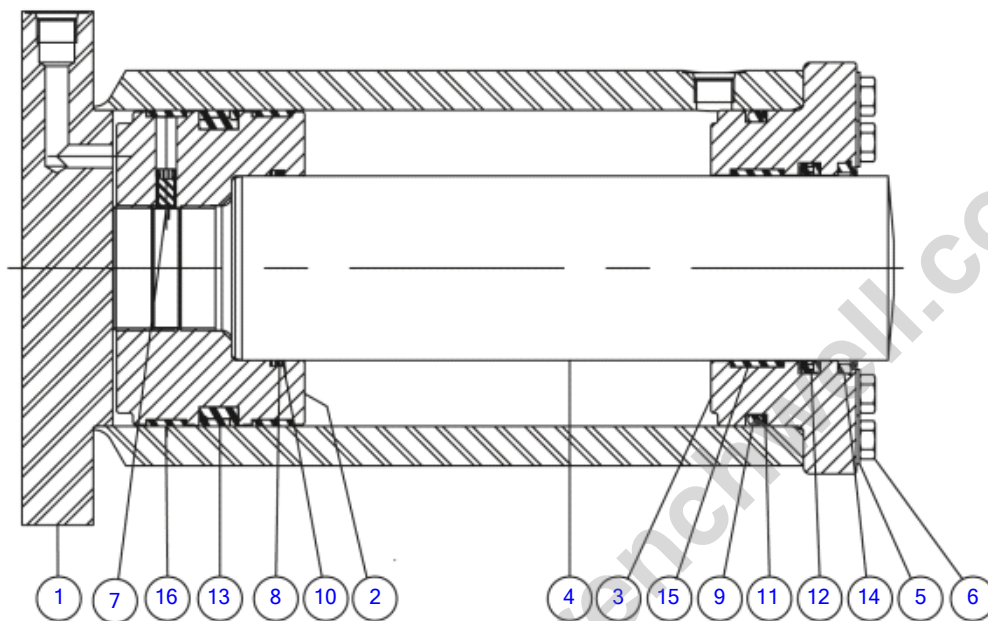
Fig 04-04R01

REF NO.	PART NO.	DESCRIPTION	QTY.	REMARKS
1	112407001	ROLLER-D6 TRACK END IDLER	1	
2	123948001	PLATE-IDLER SCRAPER	1	
3	123978001	ASSY-TRACK CHAIN TENSIONER	1	
4	123986001	WELD-IDLER SCRAPER MOUNT	1	
5	235715001	WASHER-FLATSTRL-.63-.66 X 1.31-.15-A325	4	
6	296300789	SCREW-HFS-.50-13X1.25-GR8	4	
7	296300799	SCREW HFS .63 11 X 1.25 GR8	2	
8	296300806	SCREW HFS .63 - 11 X 3.00 GR8 YZ	4	
9	400006002	FITTING-BH45-6MORFF-6MORFF	1	
10	60725001	ELBOW-4M JIC 45 DEG.BULKHEAD	1	
11	607752001	PLATE-COVER	1	
12	635215364	CYLINDER - HYDRAULIC-6.00 X 7.69 X 3.50 4500 PSI	1	
	635216242	SEAL KIT	1	
13	78201001	BOLT-M16X50 DIN 933 GRADE 8.8	4	
14	86671001	FITTING-90-4MJ-8MORBA	1	
15	97685001	FITTING-8MOR X 6MORFS 90 DEG.	1	

Provided for Free by Trenchwell.com
Shop Aftermarket Parts

Breakdown-Track Tension Cylinder (SN 550-577)

Fig 04-04T01



Provided for Free by TractorParts.com
Shop Aftermarket Parts

Breakdown-Track Tension Cylinder (SN 550-577)

Fig 04-04T01

REF NO.	PART NO.	DESCRIPTION	QTY.	REMARKS
1	635207209	TUBE WELDMENT	1	
2	635207210	PISTON	1	
3	635207211	HEAD GLAND	1	
4	635207212	CYLINDER ROD	1	
5	111738001	WASHER-7/16 HARDENED ASTM-A325	12	
6	382022	BOLT-7/16-20X2 1/4 GRADE 8 HEX	12	
7	244691011	SET SCREW-3/8-16 UNC X .75	1	
8		O-RING	1	NSS-Not Sold Separately
9		O-RING	1	NSS
10		BACKUP RING	2	NSS
11		BACKUP RING	1	NSS
12		DEEP Z-SEAL	1	NSS
13		CAPPED T-SEAL	1	NSS
14		HD ROD WIPER-SEALED OD	1	NSS
15		WEARBAND	1	NSS
16		WEARBAND	2	NSS
	635215364	CYLINDER - HYDRAULIC-6.00 X 7.69 X 3.50 4500 PSI	A/R	Refer to Fig.4-3
	(611655001)	CYLINDER-TRACK TENSION	A/R	Refer to Fig.4-3
	616042001	SEAL KIT-TRACK TENSION CYLINDER	A/R	Inc Ref 8-16

Breakdown-Track Tension Cylinder (SN 578-)

Fig 04-04T01R01

Figure Removed

Provided for Free by Trenchwell.com
Shop Aftermarket Parts

Breakdown-Track Tension Cylinder (SN 578-)

Fig 04-04T01R01

REF NO.	PART NO.	DESCRIPTION	QTY.	REMARKS
		Figure Removed	A/R	

Provided for Free by Trenchwell.com
Shop Aftermarket Parts

Track Gearbox

Fig 04-05

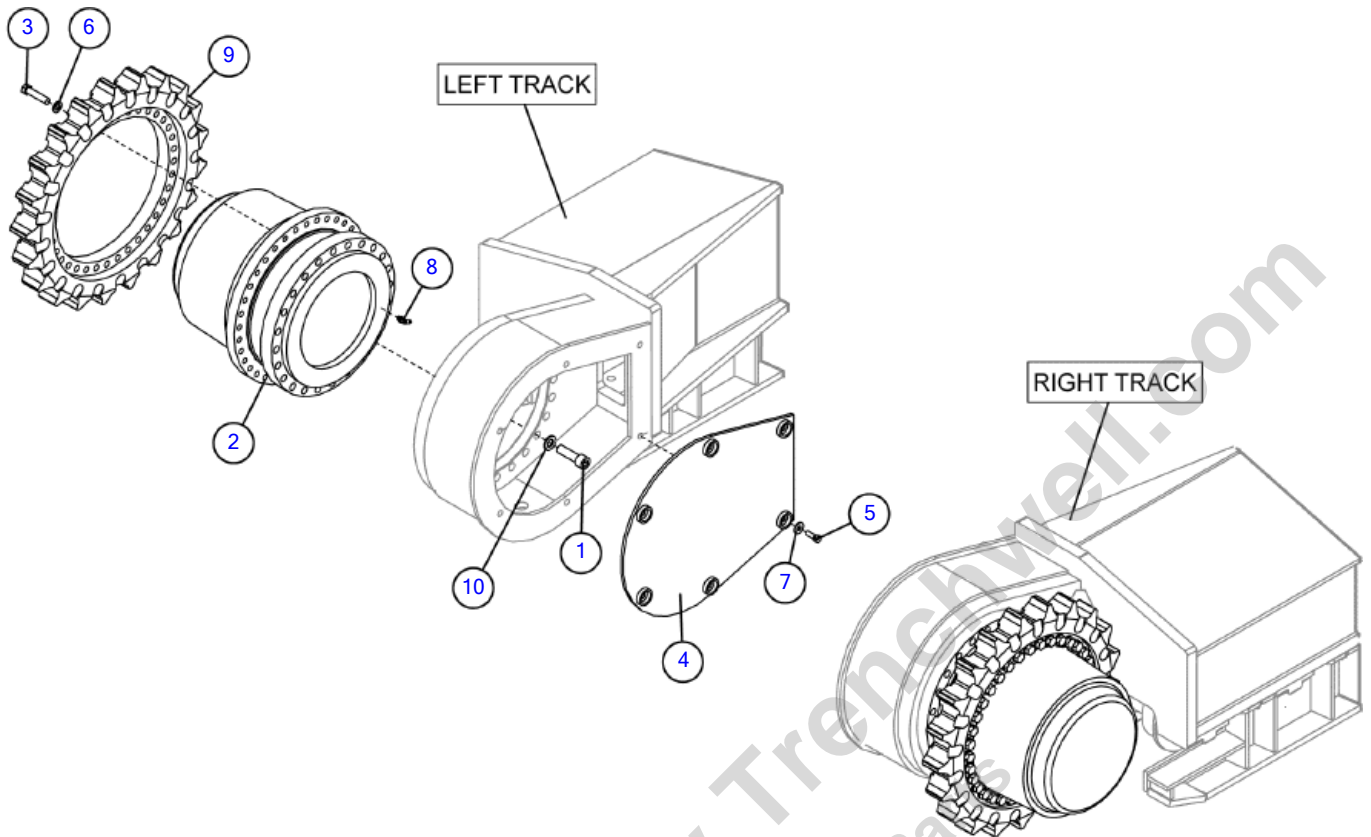


Illustration No.635050307-Not For Ordering

Track Gearbox

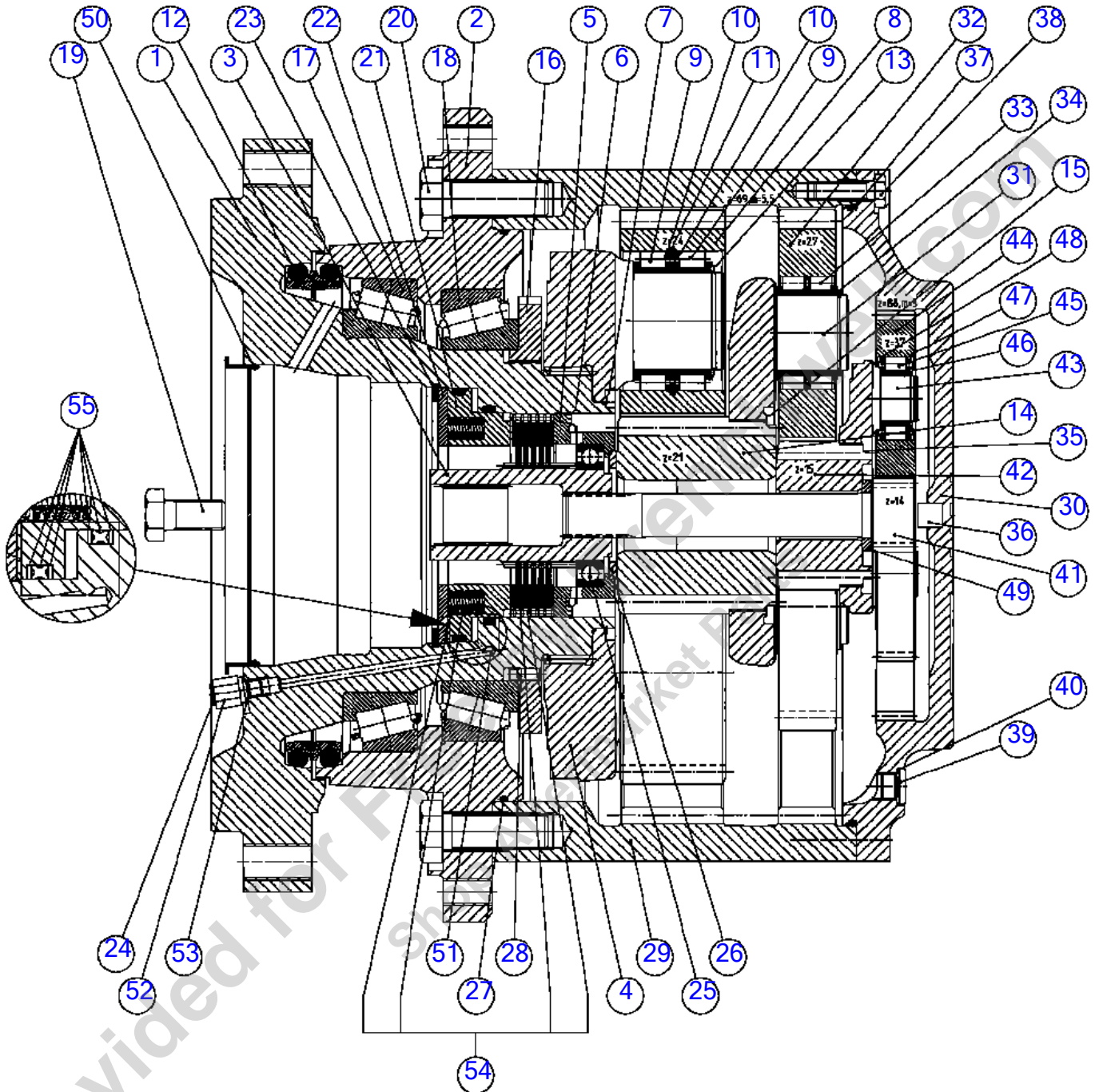
Fig 04-05

REF NO.	PART NO.	DESCRIPTION	QTY.	REMARKS
1	112559001	BOLT-M24X3X80MM SOCHDCAPGR12.9	48	
2	123924001	PLANETARY-GFT 110T3.1148	2	Breakdown Fig.4-5T01
3	123927001	SCREW-SHCS-M18-1.50X80-12.9-PLN-D912	72	
4	123951001	PLATE-PLANETARY MOTOR COVER	2	
5	235721001	BOLT-1/2-13X1 1/2 GR8 ZINC PLT	12	
6	508486018	WASHER-FLAT, HARDENED, M18, YZ, DIN6916	72	
7	510337611	WASHER-FLATSTD - .50-.56X1.38-.11-YZ	12	
8	58295001	FITTING-4M OR X 4M JIC 45 DEG.	2	
9	626357001	SPROCKET-D7 21 TOOTH	2	
10	93403001	WASHER - 7/8" HARDEN ASTM A325	48	

Provided for Free by Trenchwell.com
Shop Aftermarket Parts

Breakdown-Planetary

Fig 04-05T01



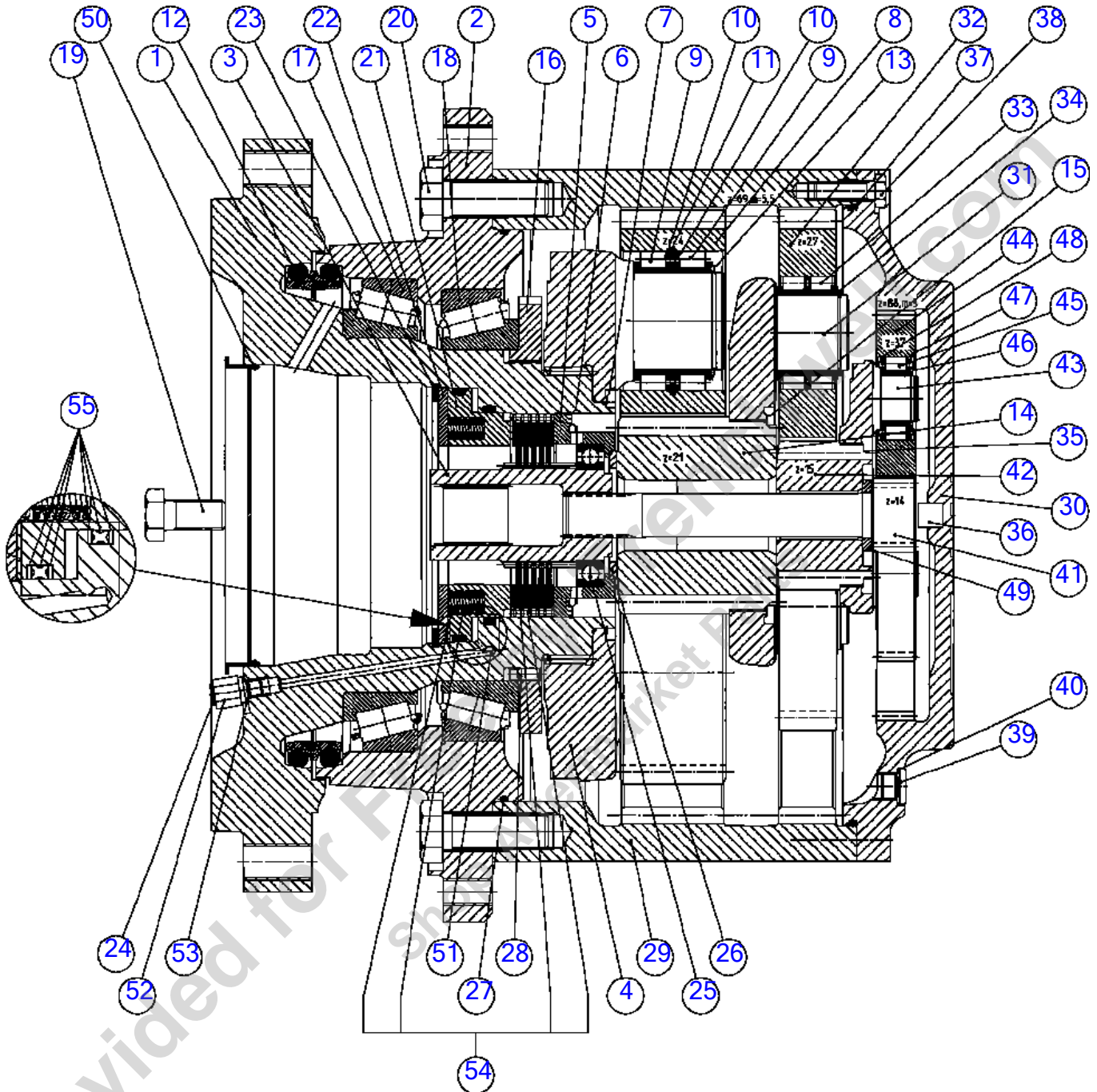
Breakdown-Planetary

Fig 04-05T01

REF NO.	PART NO.	DESCRIPTION	QTY.	REMARKS
1	622031001	SPINDLE	1	
2	622032001	RING-SUPPORT	1	
3	622033001	COUPLER	1	
4	622034001	CARRIER-PLANETARY	1	
5	622035001	RING-RETAINING	1	
6	99372007	RING-SNAP	1	
7	622036001	RING-SNAP	1	
8	622037001	GEAR-PLANETARY	5	
9	622038001	BEARING-CYLINDRICAL ROLLER	10	
10	622039001	RING-LOCATING	10	
11	622040001	RING-SNAP	5	
12	622041001	SEAL-FACE	1	
13	622042001	RING-SNAP	5	
14	622043001	GEAR-SUN	1	
15	622044001	RING-SNAP	1	
16	622045001	NUT-SHAFT	1	
17	622046001	BEARING-TAPERED ROLLER	1	
18	622047001	BEARING-TAPERED ROLLER	1	
19	622048001	BOLT-HEX HEAD	2	
20	622049001	BOLT-HEX HEAD	24	
21	622150001	PISTON-BRAKE	1	
22	622151001	PLATE-BACK UP	1	
23	622152001	RING-SNAP	1	
24	622153001	PLUG-CAP	1	
25	622154001	BEARING-BALL	1	
26	622155001	WASHER-THRUST	1	
27	622156001	O-RING	1	
28	622157001	PIN-DOWEL	1	
29	622158001	GEAR-RING	1	
30	622159001	COVER-END	1	
31	622160001	CARRIER-PLANETARY	1	
32	622161001	GEAR-PLANETARY	3	
33	622162001	BEARING-CYLINDRICAL ROLLER	3	
34	621676001	RING-SNAP	3	
35	622163001	RING-SNAP	1	
36	621677001	BUTTON-THRUST	1	
37	622164001	O-RING	1	
38	622165001	BOLT-HEX HEAD	12	
39	82367191	PLUG-SCREW M18X1.5 DIN908	2	
40	82367193	RING-SEAL 18X22	2	
41	622166001	SHAFT-INPUT	1	
42	622167001	GEAR-SUN	1	
43	622168001	CARRIER-PLANETARY	1	
44	622169001	GEAR-PLANETARY	3	
45	622170001	BEARING-CYLINDRICAL ROLLER	3	
46	621682001	RING-SNAP	3	
47	622171001	RING-LOCATING	6	
48	622172001	RING-SNAP	6	
49	622173001	WASHER-THRUST	1	
50	622174001	O-RING	1	
51	622175001	PLUG-EXPANDING	1	Used On Older Units
52	624304001	ADAPTER-12MM X 4 FORB	1	

Breakdown-Planetary

Fig 04-05T01



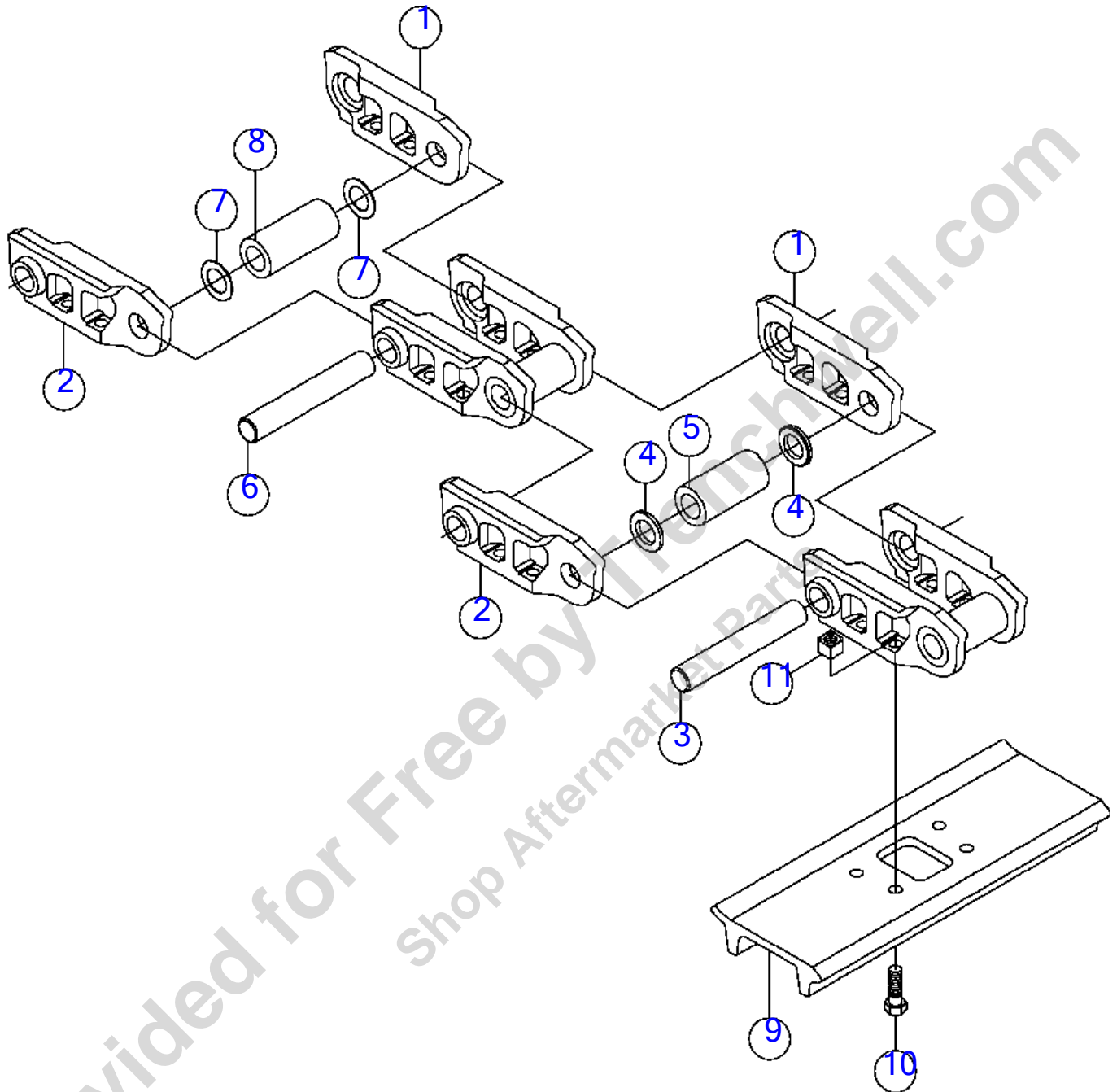
Breakdown-Planetary

Fig 04-05T01

REF NO.	PART NO.	DESCRIPTION	QTY.	REMARKS
53	608364001	RING-SEAL	1	
54	608537001	KIT-DISK	1	
55	112565013	KIT-SEAL (BRAKE)	1	
	123924001	PLANETARY-GFT 110T3.1148	2	Refer To Fig.4-5

Provided for Free by Trenchwell.com
Shop Aftermarket Parts

Track Chain
Fig 04-06

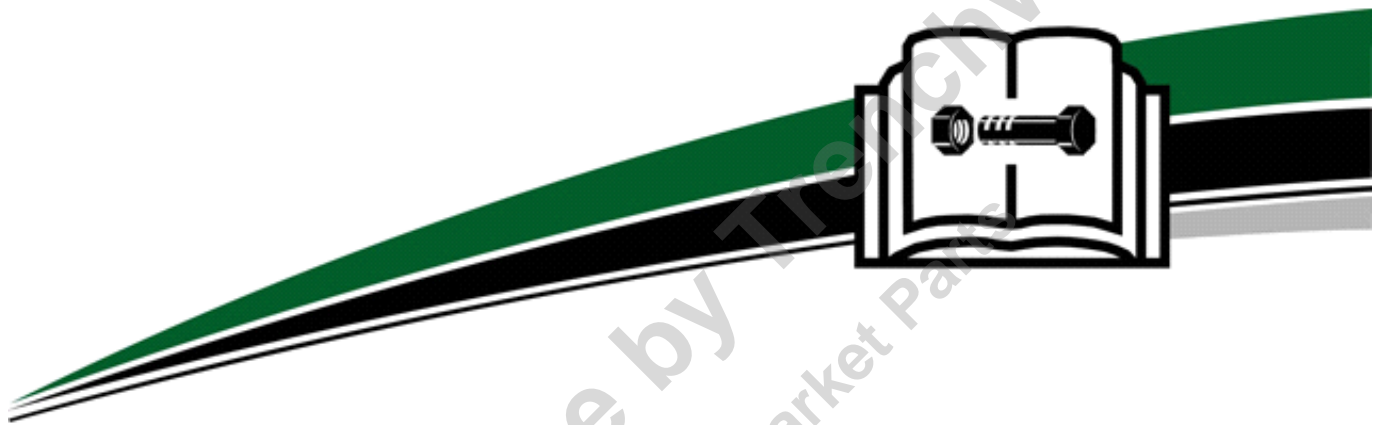


Track Chain

Fig 04-06

REF NO.	PART NO.	DESCRIPTION	QTY.	REMARKS
1	618481001	TRACK LINK-L.H.	52	
2	618482001	TRACK LINK-R.H.	52	
3	618475001	PIN-MASTER	1	
4	618477001	SPACER	2	
5	618476001	BUSHING-MASTER	1	
6	618478001	PIN	51	
7	618480001	WASHER-SEAL	102	
8	618479001	BUSHING	51	
9	622026001	GROUSER-24" SINGLE	52	
	618489001	DOUBLE GROUSER-24"	52	
	618485001	DOUBLE GROUSER-30"	52	
10	618483001	BOLT-24MM TRACK	208	
11	618484001	NUT-24MM TRACK	208	
	622027001	CHAIN-GREASED 52 LINK D	A/R	Chain Only
	124181001	TRACK CHAIN-52 LINK D7 24" SGL	A/R	Complete Assembly
	124183001	TRACK CHAIN-52 LINK D7 24"DBL	A/R	Complete Assembly
	124185001	TRACK CHAIN-52 LINK D7 30"DBL	A/R	Complete Assembly

Engine/Drive



Engine/Drive

Engine-Tier 3	Fig	05-01
Breakdown-Tier 3 Engine	Fig	05-01T01
Engine-Tier 4 Final (SN 550-572)	Fig	05-02
Breakdown-Tier 4 Final Engine - 1 (SN 550-572)	Fig	05-02T01
Breakdown-Tier 4 Final Engine - 2 (SN 550-572)	Fig	05-02T02
Engine-Tier 4 Final / Stage V (SN 573-)	Fig	05-02R01
Breakdown-Tier 4 Final / Stage V Engine - 1 (SN 573-)	Fig	05-02T01R01
Breakdown-Tier 4 Final / Stage V Engine - 2 (SN 573-)	Fig	05-02T02R01
Heater\Shut-Off Fittings	Fig	05-02X01
Pump Drive	Fig	05-03
Breakdown-Pump Drive	Fig	05-03T01
Alternator-Tier 4 Final	Fig	05-04
Subframe-Tier 3 Engine	Fig	05-05
Subframe-Tier 4 Final Engine	Fig	05-06
Tier 4 Final Aftertreatment Frame	Fig	05-07
Anti-Recirculation-Tier 3	Fig	05-08
Anti-Recirculation-Tier 4 Final	Fig	05-09
Radiator-Tier 3	Fig	05-10
Breakdown-Radiator Tier 3	Fig	05-10T01
Radiator Hoses-Tier 3	Fig	05-11
Shroud-Tier 3	Fig	05-12
CAC Tubes-Tier 3	Fig	05-13
Radiator-Tier 4 Final (SN 550-553)	Fig	05-14
Breakdown-Tier 4 Final Radiator (SN 550-553)	Fig	05-14T01
Radiator - Tier 4 Final (SN 554-)	Fig	05-14R01
Breakdown-Tier 4 Final Radiator (SN 554-)	Fig	05-14T01R01
Shroud\Finger Guard-Tier 4 final	Fig	05-15
Engine Air Cleaner-Tier 3	Fig	05-16
Breakdown-Tier 3 Engine Air Cleaner	Fig	05-16T01
Air Cleaner-Tier 4 Final	Fig	05-17
Breakdown-Tier 4 Final Air Cleaner	Fig	05-17T01
Muffler-Tier 3	Fig	05-18
Exhaust Tube-Tier 4 Final	Fig	05-19
Fuel Tank (SN 550-572)	Fig	05-20
Fuel Tank (SN 573-)	Fig	05-20R01
Breakdown-Fuel Tank	Fig	05-20T01
Fuel lines-Tier 3	Fig	05-21
Fuel lines-Tier 4	Fig	05-22
Pump Drive Oil Cooler (SN 550-580)	Fig	05-23
Pump Drive Oil Cooler (SN 581-)	Fig	05-23R01
Hose Diagram-Pump Drive	Fig	05-24
Ether Kit-Tier 3	Fig	05-25
Air Cooler/Aftertreatment Tubes-Tier 4 Final	Fig	05-26
Air Cooler Tubes-Tier 4 Final	Fig	05-27
CAC Tubes-Tier 3	Fig	05-28
Ether Kit-Tier 4 final	Fig	05-29
Radiator Hoses & Fittings-Tier 4 Final	Fig	05-30
Fuel Cooler Fittings-Tier 3	Fig	05-31
Fuel Cooler Fittings-Tier 4 Final	Fig	05-32

Engine-Tier 3

Fig 05-01

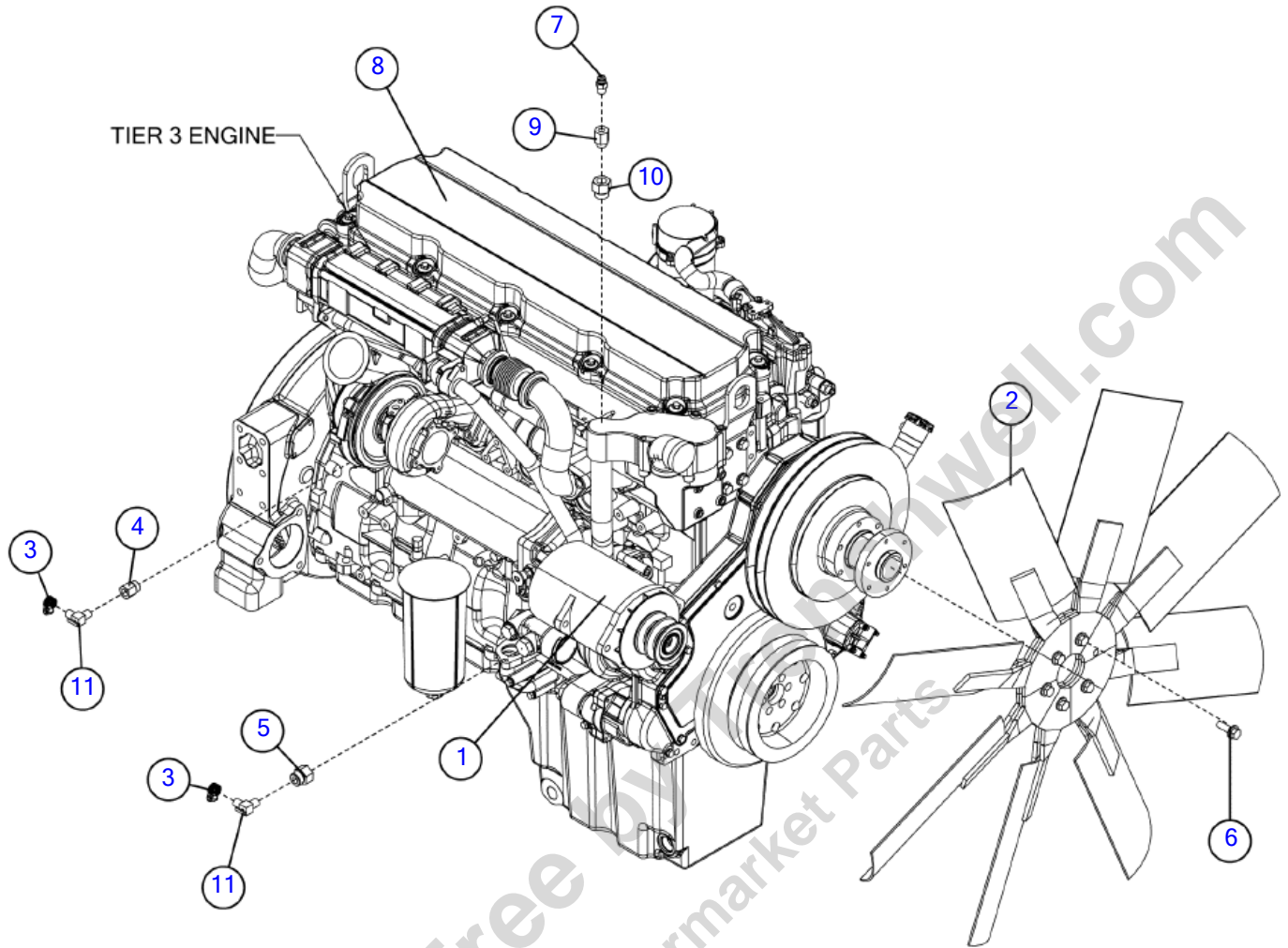


Illustration No. 626452001 - Not For Ordering

Engine-Tier 3

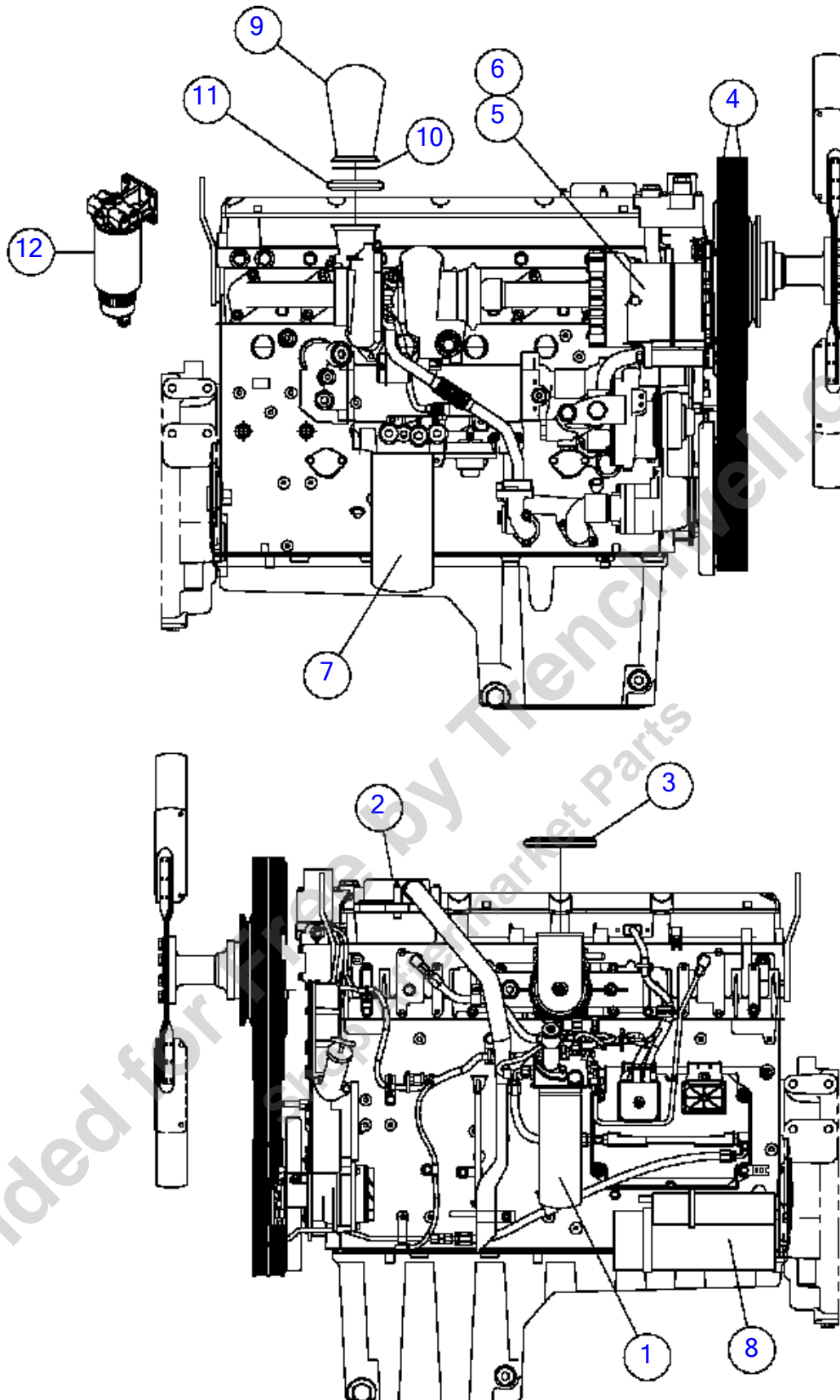
Fig 05-01

REF NO.	PART NO.	DESCRIPTION	QTY.	REMARKS
1	112886001	ALTERNATOR-24 VOLT 75 AMP 26SI	1	
2	123929001	FAN-30DEG CHORD 46"DIA 8BLADE	1	
3	1580003	HOSE CLAMP - 3/4"	2	
4	163639501	FITTING-STR-10MORB-6FNPT	1	
5	296283708	FITTING - 12 MORB X 6 FNPT	1	
6	296300790	SCREW HFS .50 13X1.50 GR8	6	
7	57947001	FITTING 3/8in MX 6JIC ST ADAPTER	1	
8	625675001	ENGINE-CATERPILLAR C13 @ 415 HP	1	Breakdown Fig. 5-1T01
9	628709001	FITTING-RESTRICTOR	1	
10	679001	ADAPTER-12 M X 1/2 F SOLID	1	
11	82633001	FITTING-HEATER SHUT-OFF	2	

Provided for Free by Trenchwell.com
Shop Aftermarket Parts

Breakdown-Tier 3 Engine

Fig 05-01T01



Breakdown-Tier 3 Engine

Fig 05-01T01

REF NO.	PART NO.	DESCRIPTION	QTY.	REMARKS
1	163636094	FILTER - C13 FUEL	1	
2	635207220	CRANKCASE BREATHER GROUP	1	
	635207219	GASKET	1	
	635207218	BREATHER ASSEMBLY	1	
	635207217	WASHER-M6X12X2MM	4	
	635207216	BOLT-M6X1X50MM	4	
3	626266001	CLAMP-5" V BAND	1	
4	616037001	BELT SET-ALTERNATOR	1	
5	112886001	ALTERNATOR-24 VOLT 75 AMP 26SI	1	
6	407055001	PULLEY - ALTERNATOR	1	
7	163636089	OIL FILTER	1	
8	626267001	STARTER	1	
9	626265001	ELBOW	1	
10	296264777	O - RING	1	
11	296264776	CLAMP	1	
12	625820001	FILTER/WATER SEPARATOR ASSEMBLY	1	
	625821001	ELEMENT-FUEL FILTER	1	
	625822001	BOWL	1	
	625823001	SEAL	1	
		ENGINE-CATERPILLAR C13 @ 415 HP	A/R	Refer To Fig.5-1

Provided for Free by Trenchwell.com
Shop Aftermarket Parts

Engine-Tier 4 Final (SN 550-572)

Fig 05-02

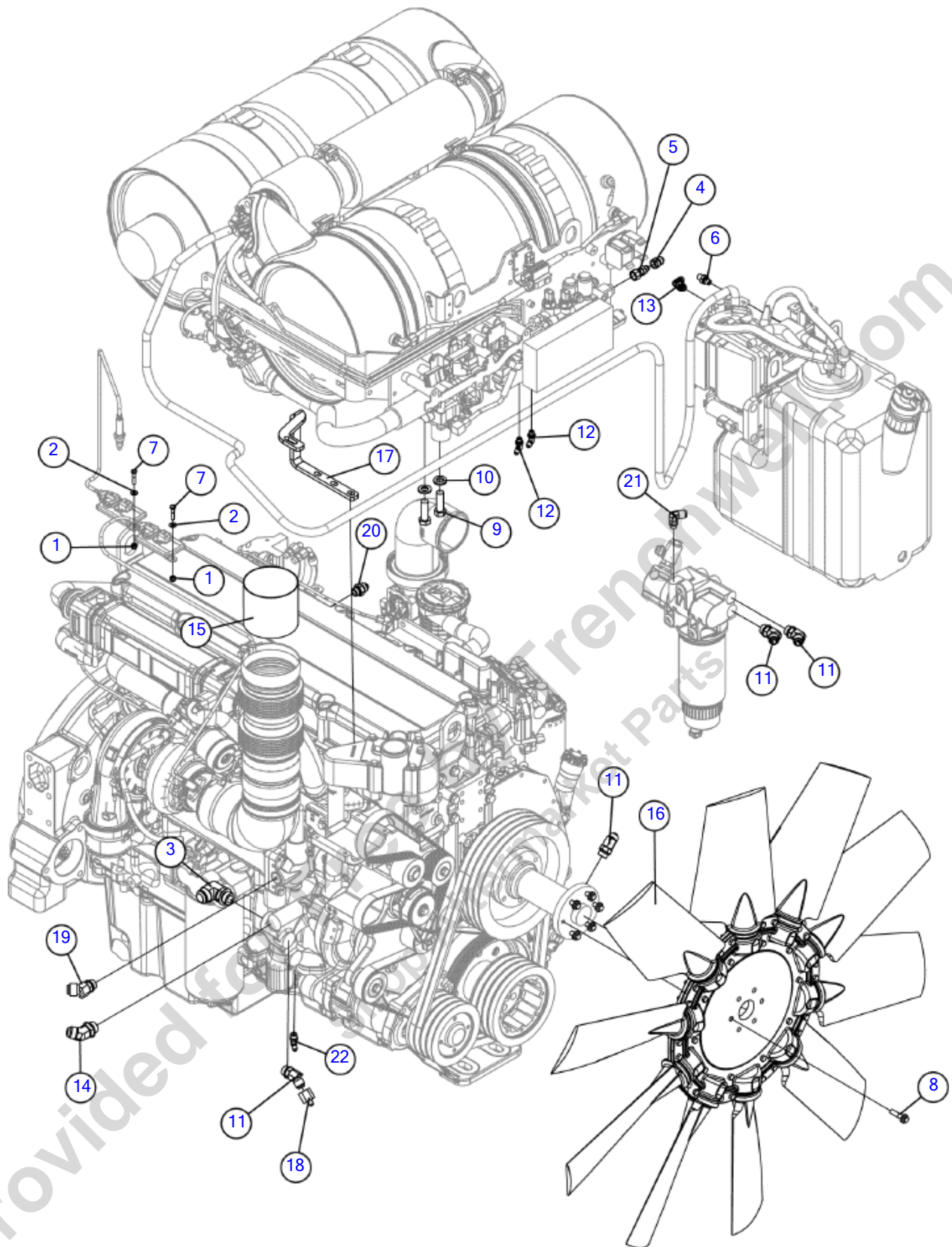


Illustration No.635201579-Not For Ordering

Engine-Tier 4 Final (SN 550-572)

Fig 05-02

REF NO.	PART NO.	DESCRIPTION	QTY.	REMARKS
1	103201001	NUT-1/4-20 NYLON INSERT LOCK	4	
2	252251001	WASHER-1/4 SAE FLAT ZP	4	
3	255074001	FITTING-14M ORING X 16M JIC 90	1	
4	273415001	FITTING STR-8MJ-6FJ	1	
5	292600001	FITTING - STR - 6MJ - 6FSORFF	1	
6	296379879	FITTING-6MJIC-12M X 1.5 STR	1	
7	350012	BOLT - 1/4-20X1 1/4IN.GRADE#5HEX	4	
8	507612040	SCREW-HFS,M10-1.50X40,10.9,YZ,ANSI,B18.2.3.9M,PT	6	
9	508478050	SCREW-HCS,M16-2.00X50,10.9,YZ,ISO4017,FT	16	
10	508486016	WASHER - FLAT, HARDENED, M16, YZ, DIN6916	16	
11	56725001	FITTING-10M X 10M JIC 45 DEG.	4	
12	58295001	FITTING-4M OR X 4M JIC 45 DEG.	2	
13	59426001	FITTING-90-6MJ-6MORB	1	
14	60718001	FITTING - 45 12MJ 12MORBA	1	
15	635201596	TUBE - INNER	1	
16	635201740	FAN 48/10-10/34/PAG/7WLP 1.96 X .421 3.94 BCD/B	1	
17	635449227	BRACKET-HEAT SHIELD	1	
18	65567001	FITTING-10 F JIC X 4M JIC	1	
19	67552001	FITTING-10MX12M JIC 45 DEG.	1	
20	67850001	FITTING 8M X 10M JIC STR	1	
21	77811001	FITTING - 6M O-RING X 8M JIC 90 DEG	1	
22	82931001	FITTING 45 4MJX6MORBA	1	
		ENGINE-CATC13 TIER 4 FINAL 415@2100RPM	A/R	Breakdown Fig.5-2T01 & 5-2T02

Engine-Tier 4 Final / Stage V (SN 573-)

Fig 05-02R01

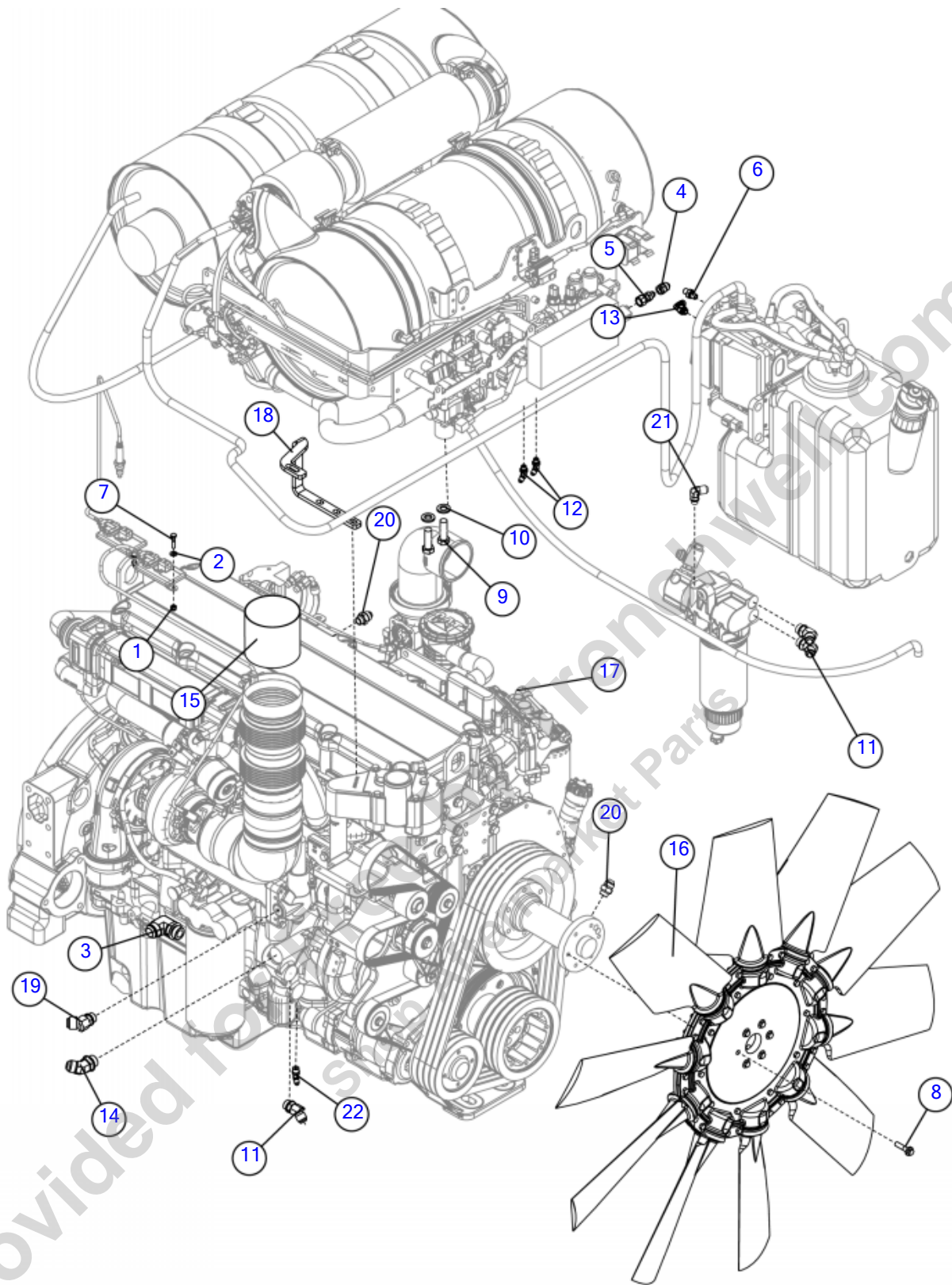


Illustration No.635201579-Not For Ordering

Engine-Tier 4 Final / Stage V (SN 573-)

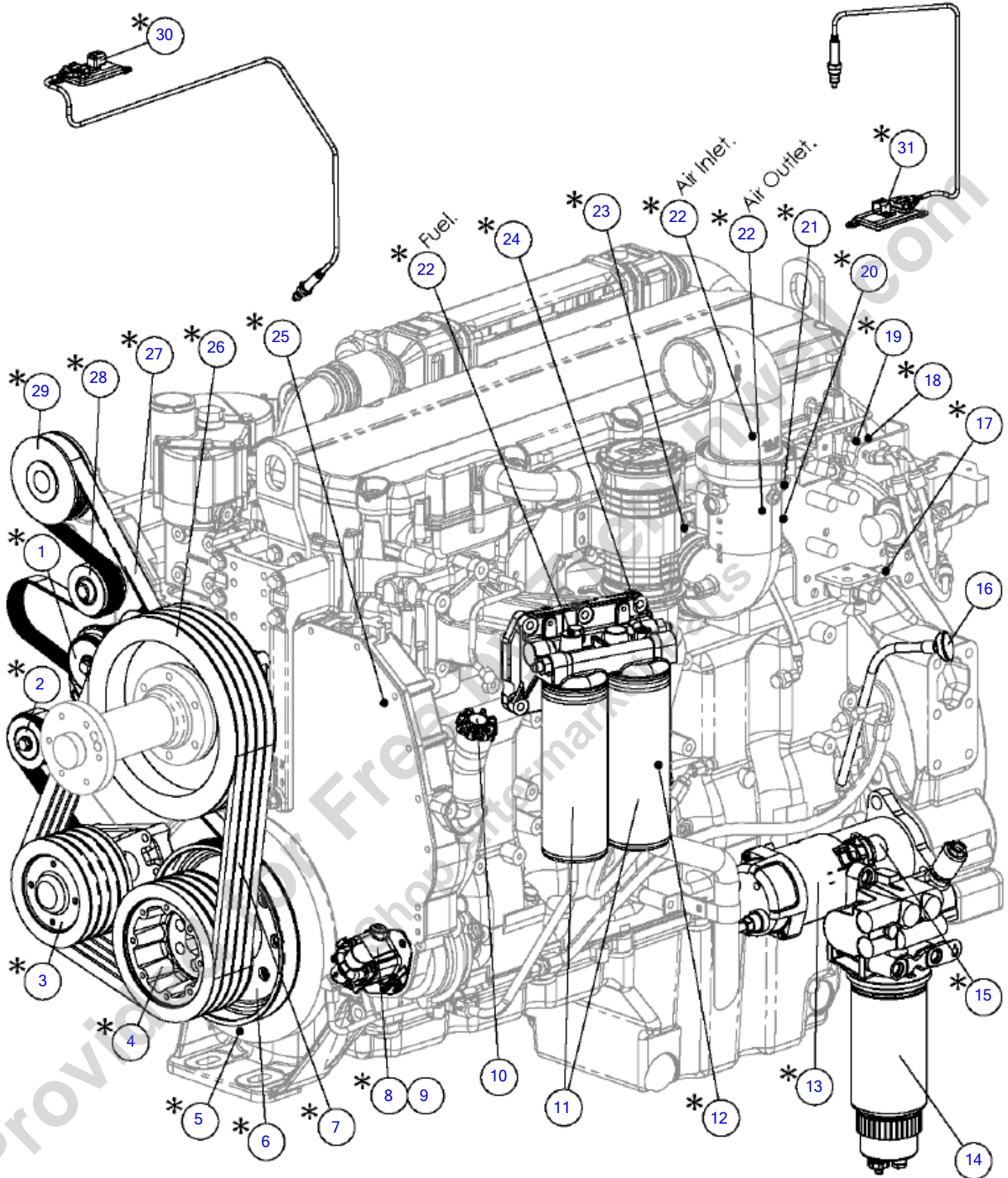
Fig 05-02R01

REF NO.	PART NO.	DESCRIPTION	QTY.	REMARKS
1	103201001	NUT-1/4-20 NYLON INSERT LOCK	4	
2	252251001	WASHER-1/4 SAE FLAT	4	
3	255074001	FITTING-14M ORING X 16M JIC 90	1	
4	273415001	FITTING STR-8MJ-6FJ	1	
5	292600001	FITTING - STR - 6MJ - 6FSORFF	1	
6	296379879	FITTING-6MJIC-12M X 1.5 STR	1	
7	350012	BOLT - 1/4-20X1 1/4IN.GRADE#5HEX	4	
8	507612040	SCREW-HFS,M10-1.50X40,10.9,ANSI,B18.2.3.9M,PT	6	
9	508478050	SCREW-HCS,M16-2.00X50,10.9,ISO4017,FT	16	
10	508486016	WASHER - FLAT, HARDENED, M16, DIN6916	16	
11	56725001	FITTING-10M X 10M JIC 45 DEG.	3	
12	58295001	FITTING-4M OR X 4M JIC 45 DEG.	2	
13	59426001	FITTING-90-6MJ-6MORB	1	
14	60718001	FITTING - 45 12MJ 12MORBA	1	
15	635201596	TUBE - INNER	1	
16	635201740	FAN 48/10-10/34/PAG/7WLP 1.96 X .421 3.94 BCD/B	1	
17	635215392	ENGINE - CAT C13 415HP T4F/STAGE V T955/T1055	1	Breakdown Fig. 5-2T01 & 5-2T02
18	635449227	BRACKET-HEAT SHIELD	1	
19	67552001	FITTING-10MX12M JIC 45 DEG.	1	
20	67850001	FITTING 8M X 10M JIC STR	2	
21	77811001	FITTING - 6M O-RING X 8M JIC 90 DEG	1	
22	82931001	FITTING 45 4MJX6MORBA	1	

Breakdown-Tier 4 Final Engine - 1 (SN 550-572)

Fig 05-02T01

* Under warranty, these individual parts and/or assemblies must be ordered through your local engine service center and replaced by a certified engine technician. Any work performed by a non-certified technician may void engine warranty.



Breakdown-Tier 4 Final Engine - 1 (SN 550-572)

Fig 05-02T01

REF NO.	PART NO.	DESCRIPTION	QTY.	REMARKS
1	296367604	FAN BELT TENSIONER	1	Certified Technician Required.
2	635216014	TEMPLATE-TRACK PURCHASED -1 OR 19	2	Idler Pulley. 1 Not Shown. Certified Technician Required.
3	635216013	TEMPLATE-TRACK PURCHASED -1 OR 19	1	Belt Tightener. Certified Technician Required.
4	635216011	PULLEY, CRANKSHAFT (OUTER)	1	Certified Technician Required.
5	296386375	CRANK SPEED SWITCH	1	Not Shown. Located Behind Damper. Certified Technician Required.
6	635216010	PULLEY, CRANKSHAFT (INNER)	1	Certified Technician Required.
7	635216001	V-BELT (SET OF 4)	1	Set Of 4. Certified Technician Required.
8	296386373	TRANSFER FUEL PUMP	1	Certified Technician Required.
9	635216007	SEAL	1	Fuel Transfer Pump. Not Shown. Certified Technician Required.
10	296386369	OIL FILL CAP	1	
11	605497001	FUEL FILTER-CAT	2	
12	296368845	PRESSURE SENSOR	1	Not Shown. Located Behind Secondary Fuel Filter. Certified Technician Required.
13	180028724	STARTER	1	Certified Technician Required.
14	625821001	ELEMENT-FUEL FILTER	1	
15	163755102	SOLENOID	1	Certified Technician Required.
16	296386370	DIPSTICK	1	
17	296416531	TEMPERTURE SENSOR	1	EGR. Not Shown. Located On EGR. Certified Technician Required.
18	296416530	PRESSURE SENSOR	1	Atmospheric. Not Shown. Located On EGR. Certified Technician Required.
19	635216009	SENSOR, EGR PRESSURE	1	Not Shown. Located On EGR. Certified Technician Required.
20	296416528	PRESSURE SENSOR	1	Air Intake. Not Shown. Located On Air Intake Right Side. Certified Technician Required.
21	635216008	SENSOR, EGR ABSOLUTE PRESSURE	1	Not Shown. Located Behind Air Intake. Certified Technician Required.
22	163649469	SENSOR - AIR TEMPERATURE-CAT	3	Not Shown. Certified Technician Required.
22	(296416559)	TEMPERATURE SENSOR	3	Not Shown. Certified Technician Required.
23	180028740	SENSOR- PRESSURE (CRANKCASE PRESSURE)	1	Not Shown. Located Behind Crankcase Vent. Certified Technician Required.
24	296386377	FUEL PRESSURE SWITCH (AFTER FILTER)	1	Not Shown. Certified Technician Required.
25	296386376	CAM SPEED SWITCH	1	Not Shown. Located Behind Upper Front Plate. Certified Technician Required.
26	635216012	PULLEY, FAN	1	Certified Technician Required.
27	635092001	BELT-ALTERNATOR/COMPRESSOR	1	Certified Technician Required.
28	163667877	SHEAVE-IDLER ASSY	2	Outer. 1 Not Shown. Certified Technician Required.
29	163682002	SHEAVE PULLEY	1	Alternator. Certified Technician Required.
30	296416525	NOX SENSOR-ENGINE INLET	1	Certified Technician Required.
31	296416526	NOX SENSOR-EXHAUST OUTLET	1	Certified Technician Required.
	634350598	ENGINE-CATC13 TIER 4 FINAL 415@2100RPM	A/R	Includes Refs. 1-31.

Breakdown-Tier 4 Final / Stage V Engine - 1 (SN 573-)

Fig 05-02T01R01

*Under warranty, this part must be ordered through your local engine service center and replaced by a certified engine technician. Any work performed by a non-certified technician may void engine warranty.

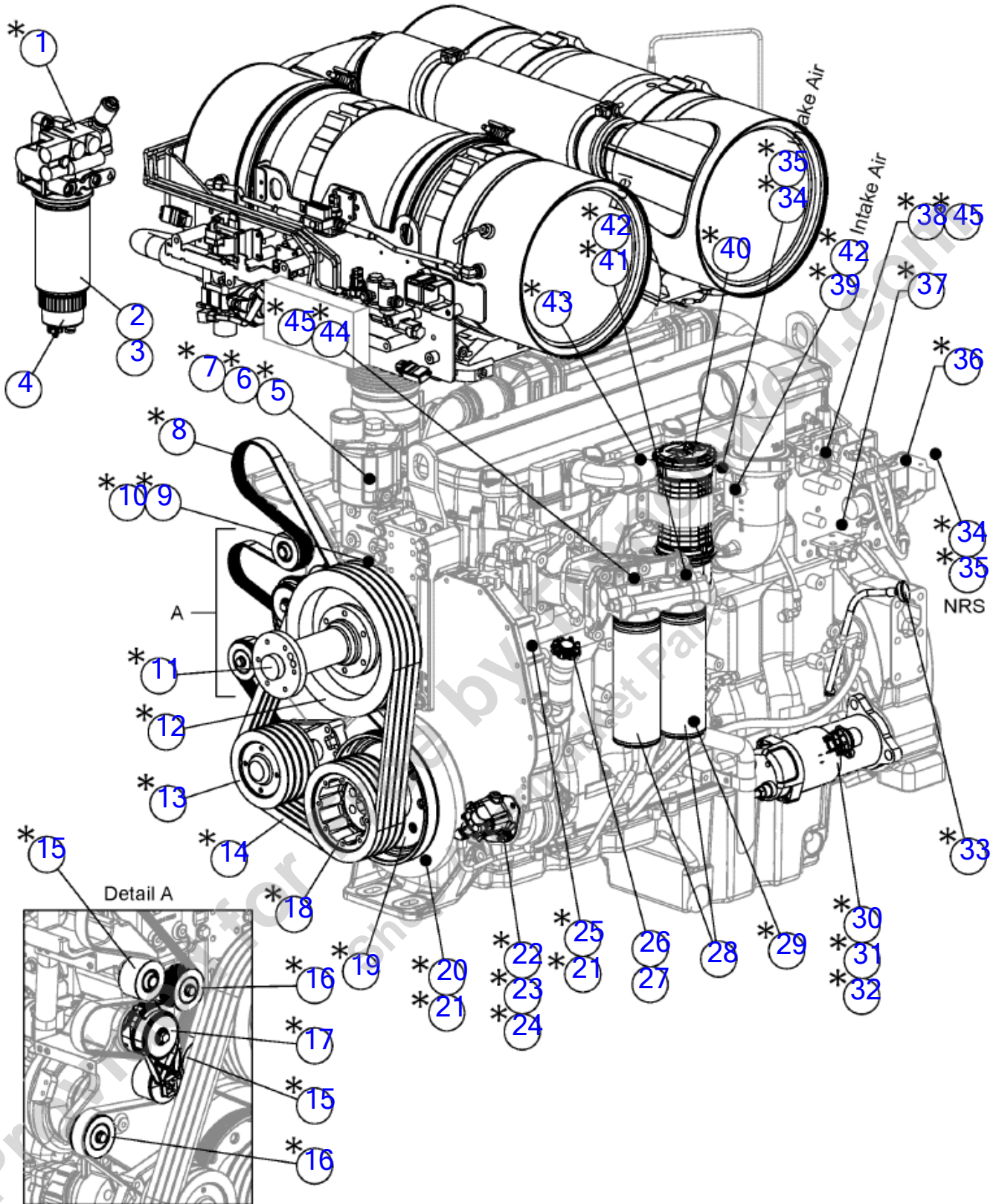


Illustration No. 635215392_BD1-Not For Ordering

Breakdown-Tier 4 Final / Stage V Engine - 1 (SN 573-)

Fig 05-02T01R01

REF NO.	PART NO.	DESCRIPTION	QTY.	REMARKS
1	296386372	PRIMING FUEL PUMP	1	Certified Technician Required.
2	625821001	ELEMENT-FUEL FILTER	1	Certified Technician Required.
2	(296368896)	FUEL FILTER	1	Certified Technician Required.
3	625823001	SEAL	1	
3	(635208019)	BOWL SEAL	1	
4	625822001	BOWL	1	
4	(296368835)	FUEL FILTER BOWL ASSY	1	
5	296416570	THERMOSTAT	1	Not Shown. Certified Technician Required.
6	180027113	THERMOSTAT GASKET	2	Not Shown. Certified Technician Required.
7	296416571	SEAL THERMOSTAT HOUSING	1	Not Shown. Certified Technician Required.
8	635092001	BELT-ALTERNATOR/COMPRESSOR	1	Certified Technician Required.
9	163649469	SENSOR - AIR TEMPERATURE-CAT	3	Certified Technician Required.
9	(296416559)	TEMPERATURE SENSOR	3	Certified Technician Required.
10	296261913	O - RING	1	Not Shown. Certified Technician Required.
11	635216573	FAN ADAPTER	1	Certified Technician Required.
12	635298001	FAN PULLEY	1	Certified Technician Required.
13	635216013	BELT TIGHTENER	1	Certified Technician Required.
14	701043048	FAN DRIVE V-BELT (4 BELTS)	1	Certified Technician Required.
15	163667877	SHEAVE-IDLER ASSY	2	Certified Technician Required.
16	635216014	PULLEY, IDLER	2	Certified Technician Required.
17	296367604	FAN BELT TENSIONER	1	Certified Technician Required.
18	635216011	PULLEY, CRANKSHAFT (OUTER)	1	Certified Technician Required.
19	635216010	PULLEY, CRANKSHAFT (INNER)	1	Certified Technician Required.
20	296386375	CRANK SPEED SWITCH	1	Not Shown. Located Behind Damper. Certified Technician Required.
21	163755339	O-RING	2	Not Shown. Certified Technician Required.
22	296386373	TRANSFER FUEL PUMP	1	Certified Technician Required.
23	163680566	O-RING 79.38 MM OD 2.62 MM DIA HNBR	1	Not Shown. Certified Technician Required.
24	635216007	SEAL	1	Not Shown. Certified Technician Required.
25	296386376	CAM SPEED SWITCH	1	Not Shown. Located Behind Upper Front Plate. Certified Technician Required.
26	296386369	OIL FILL CAP	1	
27	163755390	SEAL, OIL FILL CAP	1	Not Shown.
28	605497001	FUEL FILTER-CAT	2	
28	(154657001)	FILTER - FUEL 2 MICRON	2	
29	296368845	PRESSURE SENSOR	1	Oil. Not Shown. Certified Technician Required.
30	180028724	STARTER	1	Certified Technician Required.
31	180027643	GASKET	1	Not Shown. Certified Technician Required.
32	163755102	SOLENOID	1	Certified Technician Required.
33	296386370	DIPSTICK	1	
34	635216008	SENSOR PRESSURE	2	Not Shown. Certified Technician Required.
35	163755930	O-RING	2	Not Shown. Certified Technician Required.
36	296416560	PRESSURE SENSOR-NRS DIFFERENTIAL	1	Not Shown. Certified Technician Required.
37	296416531	TEMPERTURE SENSOR	1	Not Shown. Certified Technician Required.
38	296416530	PRESSURE SENSOR	1	Not Shown. Certified Technician Required.
39	180027642	O-RING	2	Not Shown. Certified Technician Required.
40	296367600	OCV FILTER	1	
41	180028740	SENSOR- PRESSURE (CRANKCASE PRESSURE)	1	Not Shown. Located Behind OCV Filter. Certified Technician Required.
42	296386377	FUEL PRESSURE SWITCH (AFTER FILTER)	1	Not Shown. Certified Technician Required.
43	163795129	O-RING	2	Not Shown. Certified Technician Required.

Breakdown-Tier 4 Final / Stage V Engine - 1 (SN 573-)

Fig 05-02T01R01

*Under warranty, this part must be ordered through your local engine service center and replaced by a certified engine technician. Any work performed by a non-certified technician may void engine warranty.

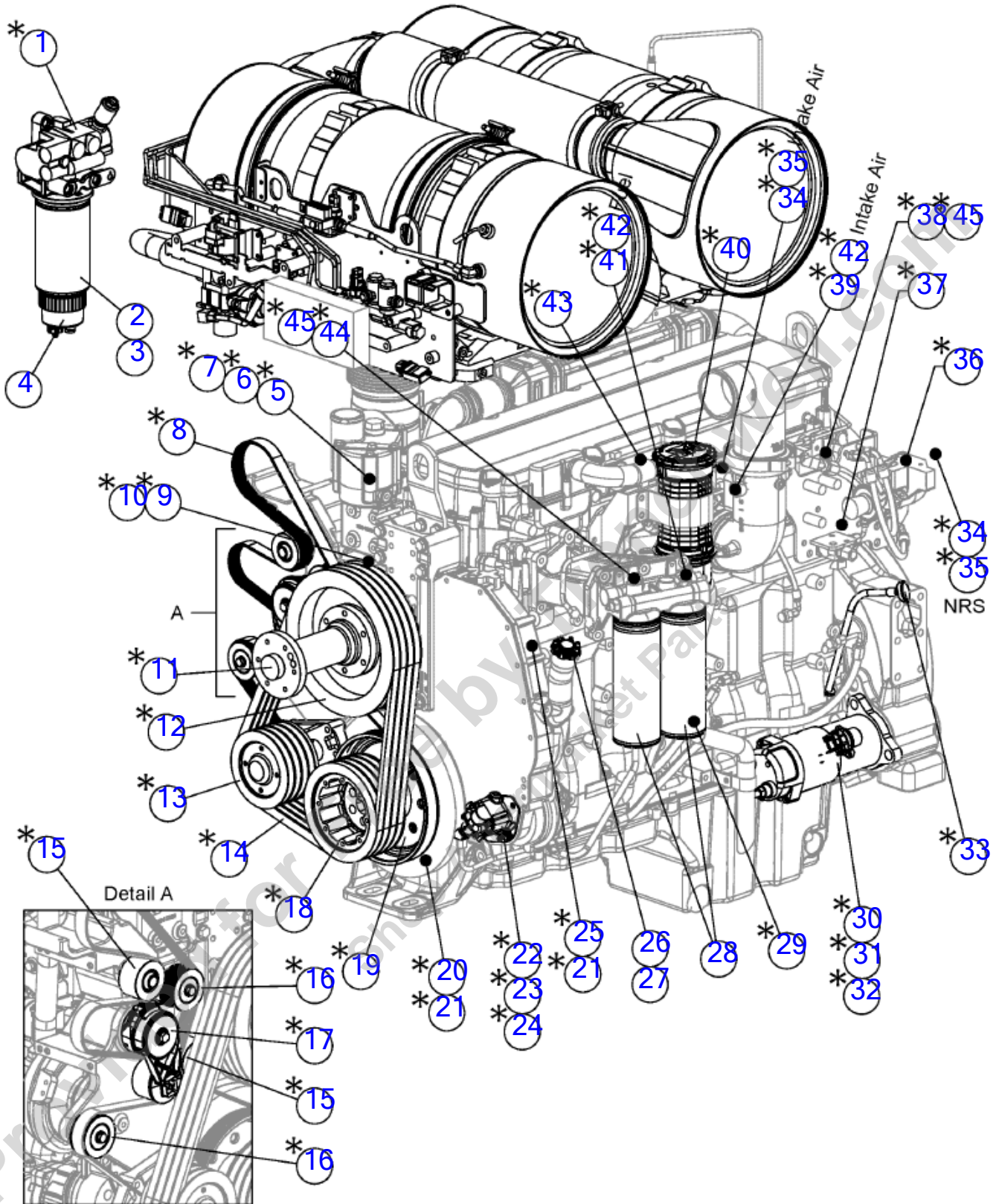


Illustration No. 635215392_BD1-Not For Ordering

Breakdown-Tier 4 Final / Stage V Engine - 1 (SN 573-)

Fig 05-02T01R01

REF NO.	PART NO.	DESCRIPTION	QTY.	REMARKS
	635215392	ENGINE - CAT C13 415HP T4F/STAGE V T955/T1055	A/R	Includes Refs. 1-43.

Provided for Free by Trenchwell.com
Shop Aftermarket Parts

Breakdown-Tier 4 Final Engine - 2 (SN 550-572)

Fig 05-02T02

* Under warranty, these individual parts and/or assemblies must be ordered through your local engine service center and replaced by a certified engine technician. Any work performed by a non-certified technician may void engine warranty.

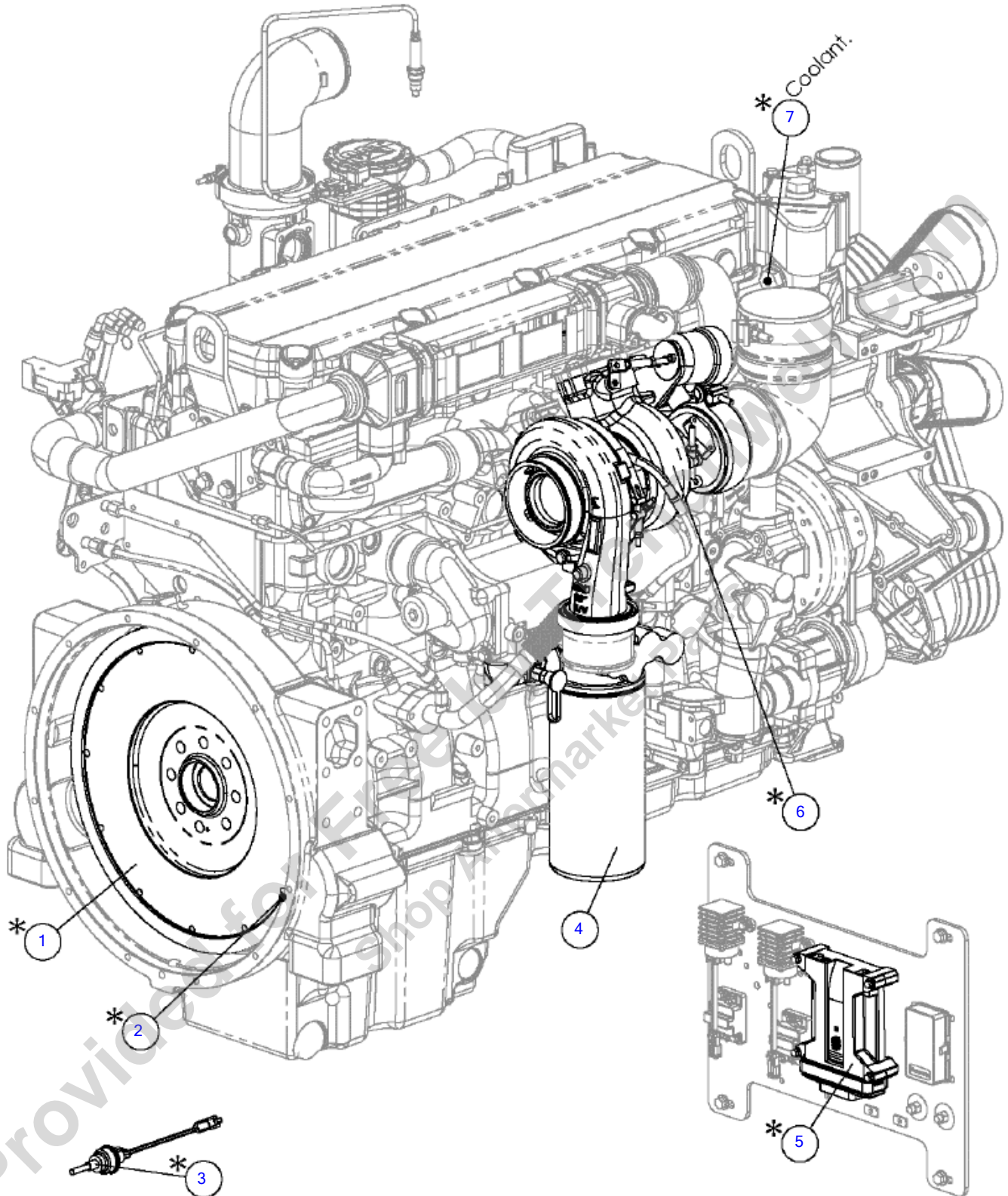


Illustration No. 63435059B_BD2-Not For Ordering

Breakdown-Tier 4 Final Engine - 2 (SN 550-572)

Fig 05-02T02

REF NO.	PART NO.	DESCRIPTION	QTY.	REMARKS
1	635216015	FLYWHEEL	1	Certified Technician Required.
2	635216016	GEAR, RING	1	Not Shown. Certified Technician Required.
3	180028710	SENSOR- COOLANT LEVEL	1	Coolant. Certified Technician Required.
3	(152424001)	SENDER - FLUID LEVEL	1	Coolant. Certified Technician Required.
4	163636089	OIL FILTER	1	
5	635216017	ECU	1	Certified Technician Required.
6	635216006	TURBOCHARGER	1	Certified Technician Required.
7	163649469	SENSOR - AIR TEMPERATURE-CAT	1	Not Shown. Located On Thermostat Housing. Certified Technician Required.
7	(296416559)	TEMPERATURE SENSOR	1	Not Shown. Located On Thermostat Housing. Certified Technician Required.
	634350598	ENGINE-CATC13 TIER 4 FINAL 415@2100RPM	A/R	Includes Ref. #'s 1-7.

Provided for Free by Trenchwell.com
Shop Aftermarket Parts

Breakdown-Tier 4 Final / Stage V Engine - 2 (SN 573-)

Fig 05-02T02R01

* Under warranty, this part must be ordered through your local engine service center and replaced by a certified engine technician. Any work performed by a non-certified technician may void engine warranty.

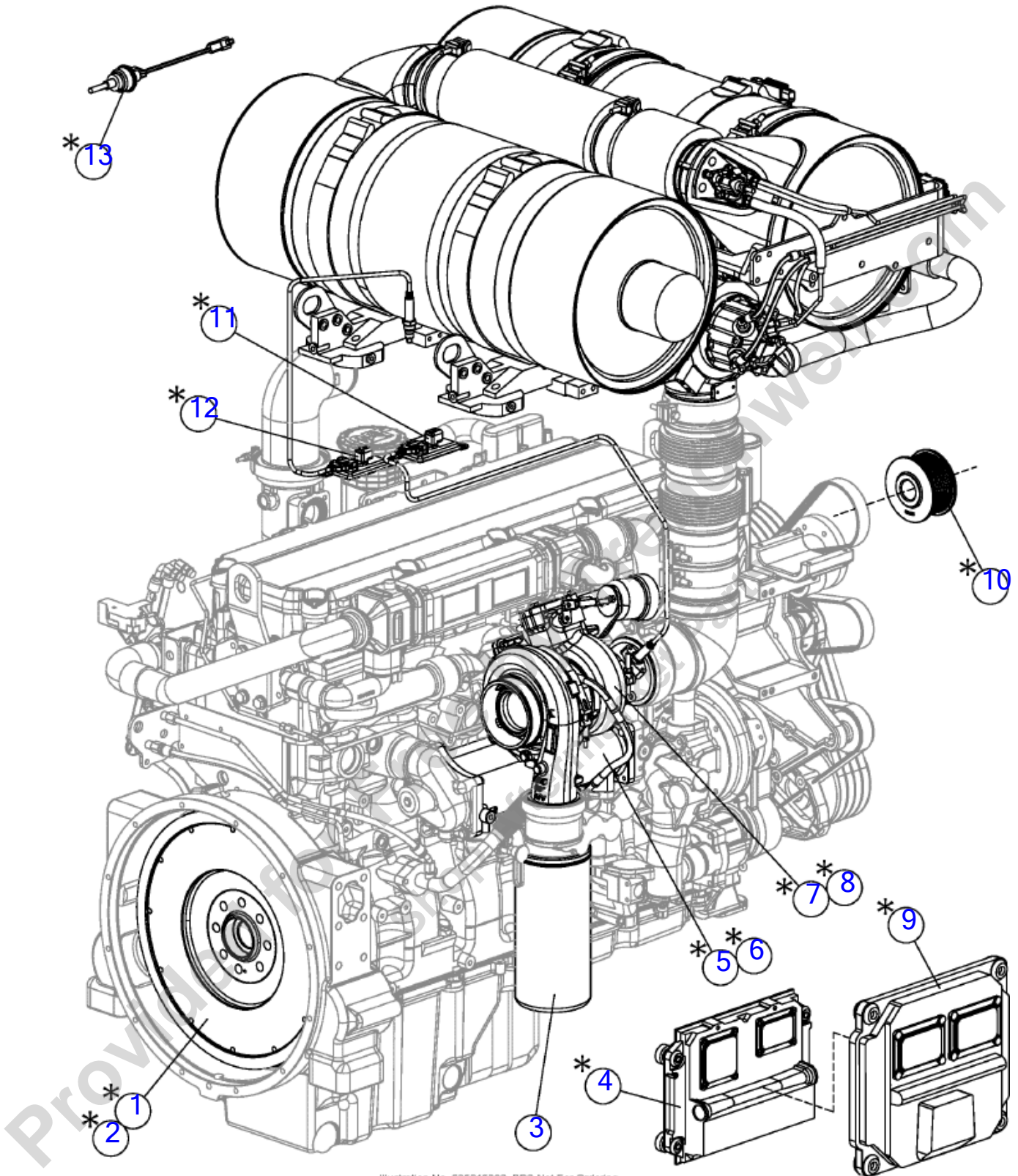


Illustration No. 635215392_BD2-Not For Ordering

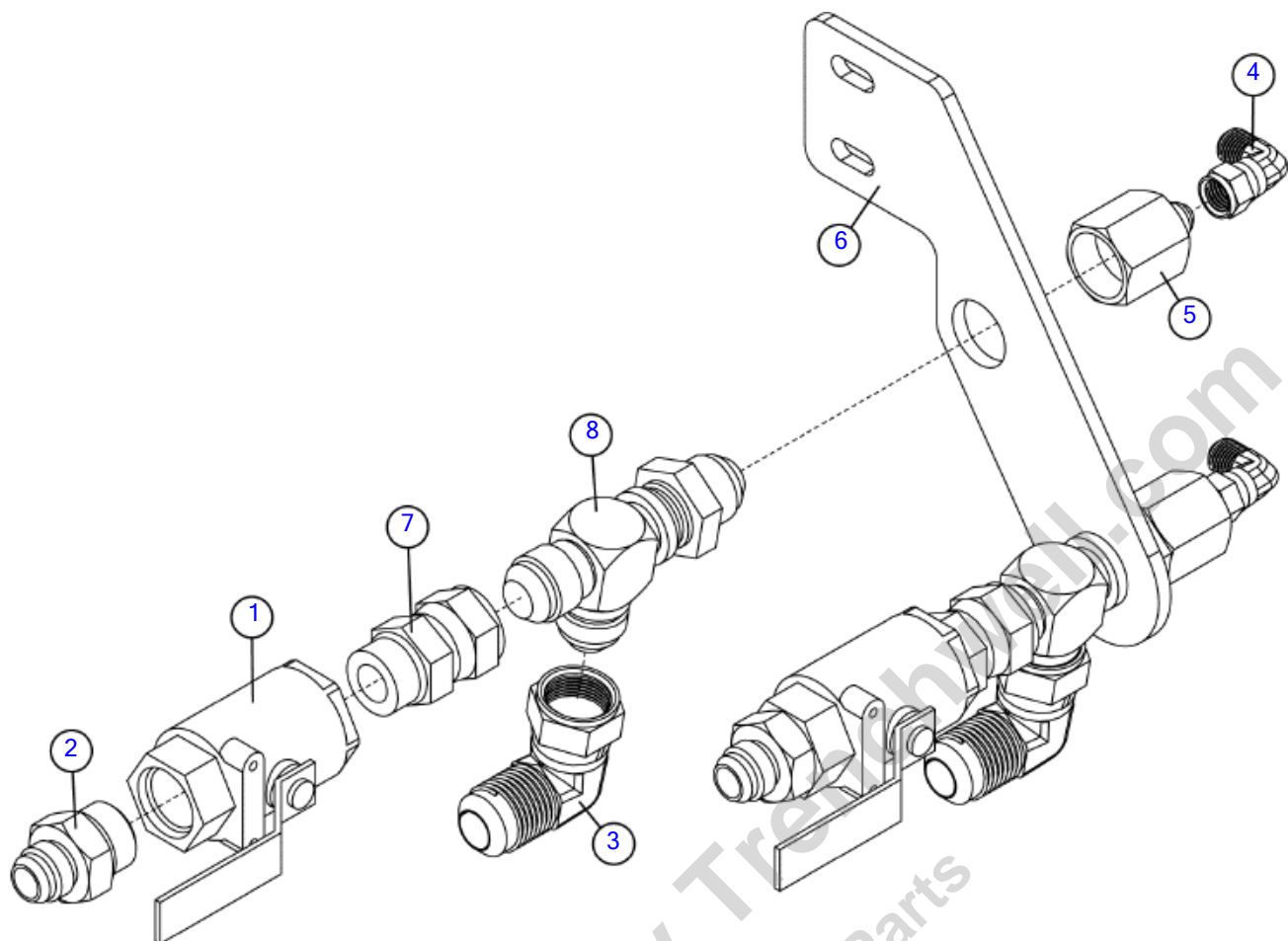
Breakdown-Tier 4 Final / Stage V Engine - 2 (SN 573-)

Fig 05-02T02R01

REF NO.	PART NO.	DESCRIPTION	QTY.	REMARKS
1	635216015	FLYWHEEL	1	Certified Technician Required.
2	635216016	GEAR, RING	1	Not Shown. Certified Technician Required.
3	163636089	OIL FILTER	1	
4	635216109	ECU	1	Certified Technician Required.
5	180028720	COOLER-CORE AS-OIL COOLER	1	Certified Technician Required.
6	635216572	SEAL, OIL COOLER	2	Not Shown. Certified Technician Required.
7	635216006	TURBOCHARGER	1	Certified Technician Required.
8	635216022	GASKET, TURBOCHARGER	1	Not Shown. Certified Technician Required.
9	635216078	ECU	1	Aftertreatment. Certified Technician Required.
10	163682002	SHEAVE PULLEY	1	Certified Technician Required.
11	635229142	SENSOR, NOX EXHAUST OUTPUT	1	Certified Technician Required.
12	635229141	SENSOR, NOX ENGINE OUTPUT	1	Certified Technician Required.
13	180028710	SENSOR- COOLANT LEVEL	1	Coolant. Certified Technician Required.
13	(152424001)	SENDER - FLUID LEVEL	1	Coolant. Certified Technician Required.
	635215392	ENGINE - CAT C13 415HP T4F/STAGE V T955/T1055	A/R	Includes Refs. 1-13.

Heater\Shut-Off Fittings

Fig 05-02X01



Provided for Free by TrencherParts.com
Shop Aftermarket Parts

Heater\Shut-Off Fittings

Fig 05-02X01

REF NO.	PART NO.	DESCRIPTION	QTY.	REMARKS
1	163649174	VALVE-#12 ORB BRASS BALL	2	
2	53854001	FITTING-12M O-RING-10M JIC ST.	2	
3	59422001	FITTING-90-12MJ-12FSJ	2	
4	60851001	FITTING-6M JICX6FS JIC 90ELBOW	2	
5	60909001	ADAPTER-6M JICX12F JIC ST	2	
6	635201777	BRACKET	1	
7	85664001	FITTING-12M X 12FS JIC STR	2	
8	96075001	FITTING-12MJIC BLKHD RUN TEE	2	

Provided for Free by Trenchwell.com
Shop Aftermarket Parts

Pump Drive

Fig 05-03

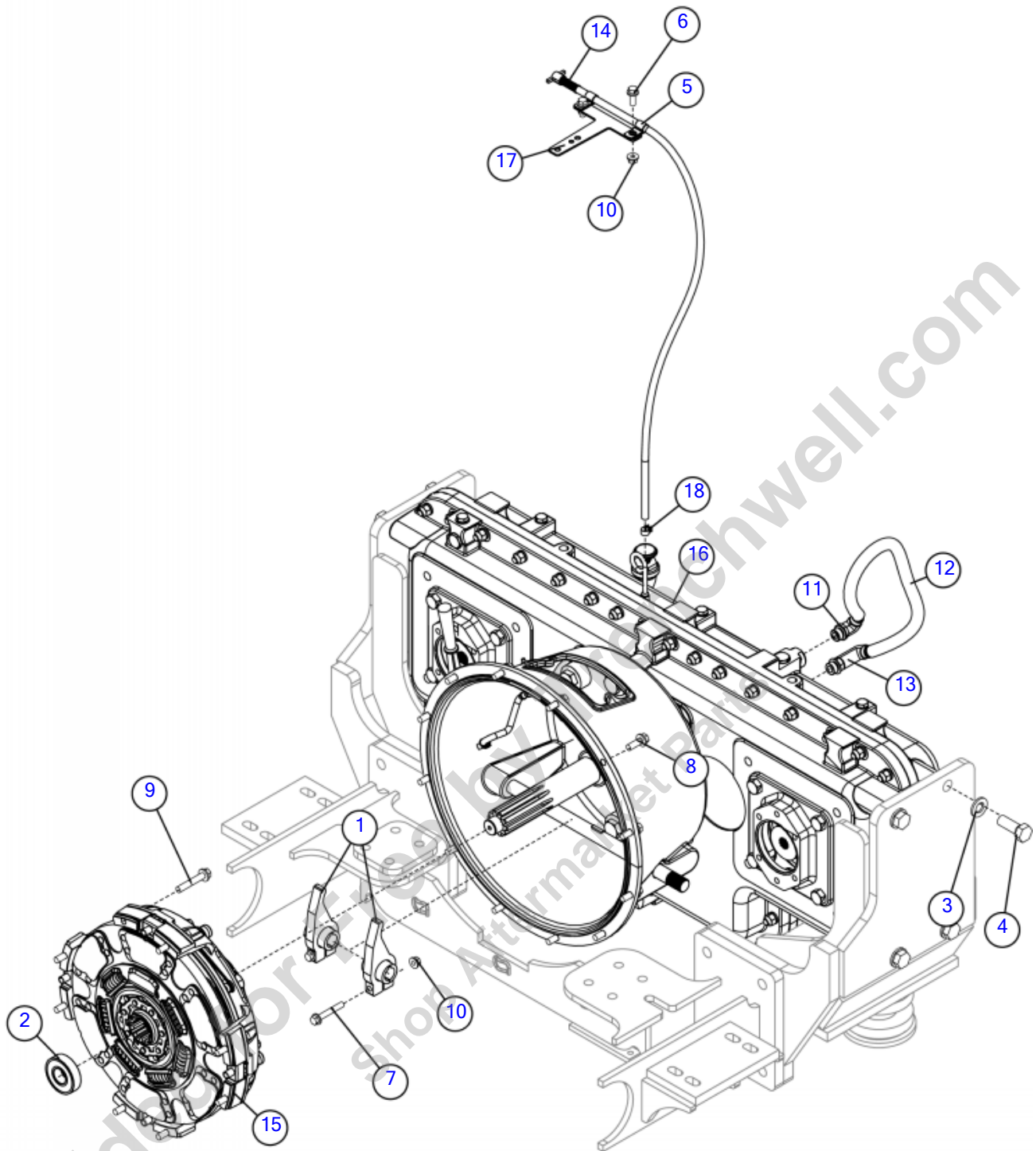


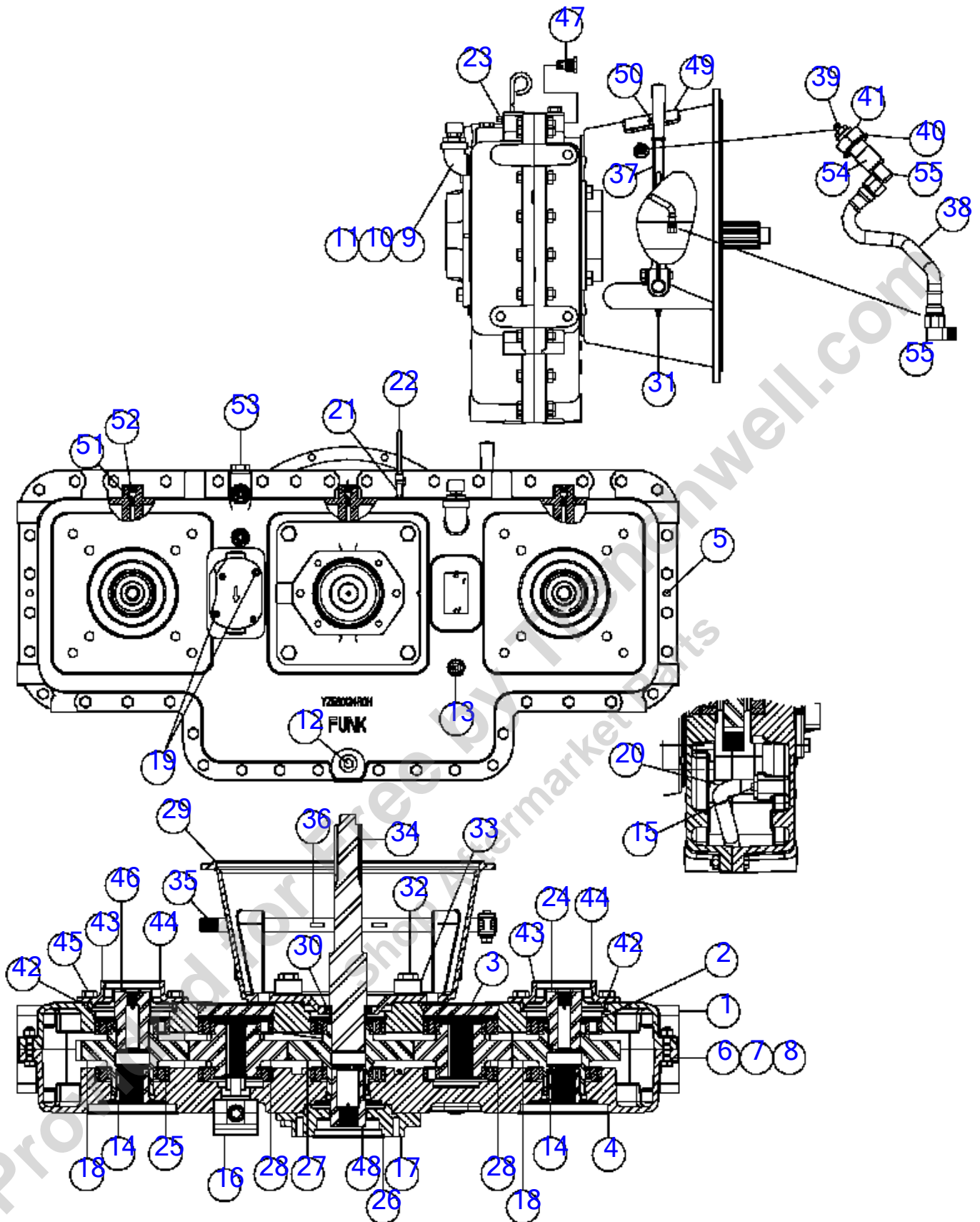
Illustration No.630228001-Not For Ordering

Pump Drive
Fig 05-03

REF NO.	PART NO.	DESCRIPTION	QTY.	REMARKS
1	112536001	CLUTCH FORK	2	
2	113088001	BEARING - PILOT	1	
3	235717001	WASHER - 3/4" HARDENED FLAT	8	
4	235746001	BOLT-3/4-10X2 GR8 HEX	8	
5	296297645	CLAMP - .50 DIA - .53 MTG HOLE	2	
6	296300772	SCREW HFS .38-16X1.00 GR8	2	
7	296300778	SCREW-HFS-.38-16.2.50-GR8	2	
8	296300781	SCREW HFS .44 14X1.25 GR8 YZ	12	
9	296300786	SCREW-HFS-.44-14X2.50-GR8-YZ	8	
10	296300850	NUT-HEXFLGTL-.38-16-G	4	
11	53829001	FITTING-#10M O-RING-#10M JIC 90 DEG.	1	
12	53842005	HOSE -5/8X24 10FS JIC 1500PSI	1	
13	627498001	FITTING-90-10MJ-10MORBA-LL	1	
14	631863598	DIP STICK EXTENSION	1	
15	634948001	CLUTCH - 15.5 in.	1	
16	635050033	DRIVE ASSEMBLY-PUMP (W/COOLER LOOP)	1	Breakdown Fig. 5-3T01
16	(635073001)	PUMP DRIVE- T955,T1055	1	Breakdown Fig. 5-3T01
17	635503070	BRACKET-DIPSTICK LINE	1	
18	635503164	HOSE BOLT - CLAMP 1/2"	1	

Breakdown-Pump Drive

Fig 05-03T01



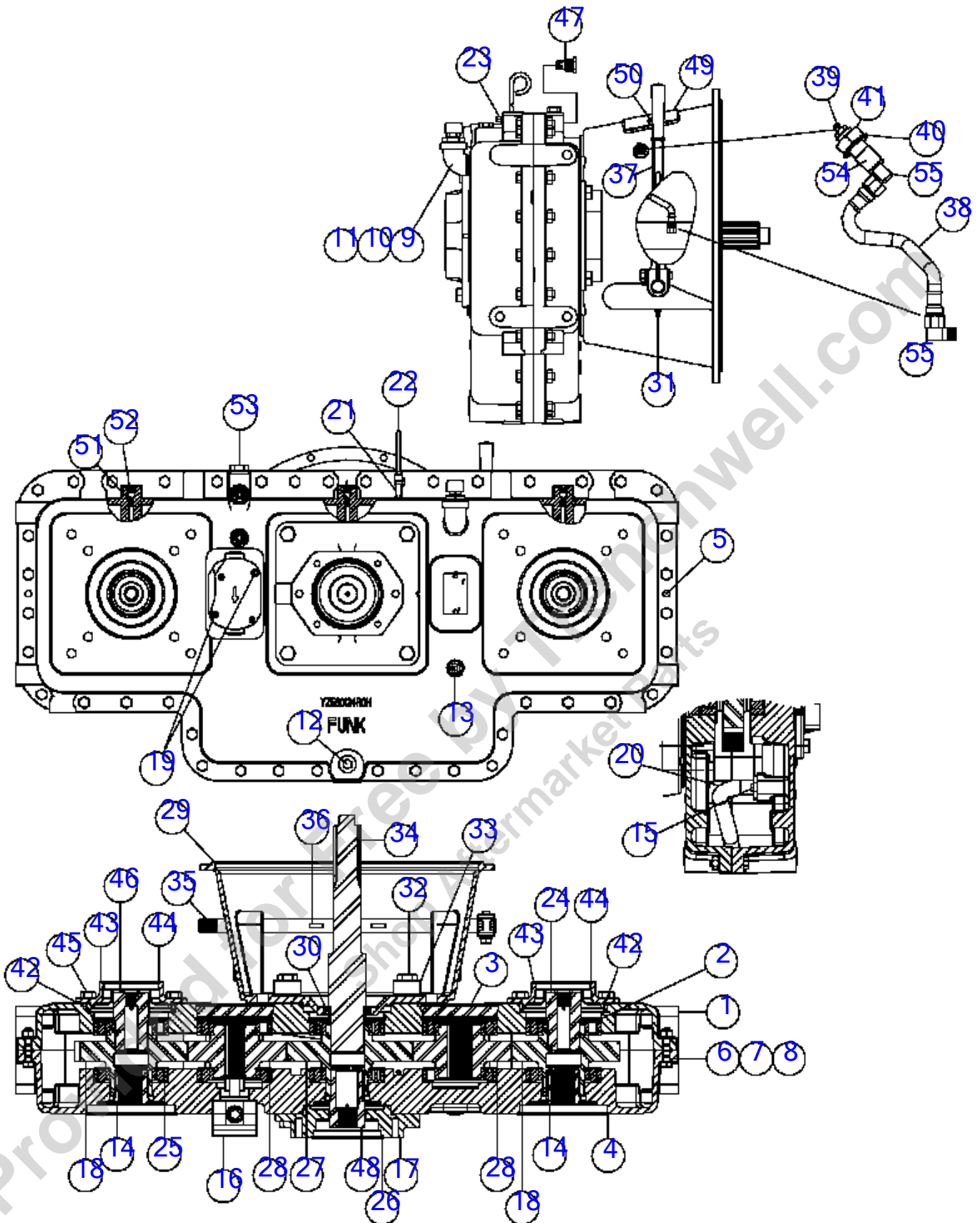
Breakdown-Pump Drive

Fig 05-03T01

REF NO.	PART NO.	DESCRIPTION	QTY.	REMARKS
1		HOUSING	1	Not Sold Separately
2	78515073	SNAP RING- # F39000550	5	
3	615765001	PLUG	2	
4	78515065	O-RING #F37030260	6	
5	615766001	PIN-DOWEL	2	
6	510304024	SCREW-HCS-.50-13X2.50-GR5-YZ	42	
7	510335711	WASHER-LOCK-.50-.52X.87-.13-YZ	42	
8	412001	NUT-3/8 NC HEX GR2 - YZ	42	
9	621519001	ELBOW-90 DEGREE	1	
10	615769001	RED.BUSHING	1	
11	628394001	BREATHER	1	
11	(615770001)	BREATHER-0 PSI	1	
12	615771001	PLUG MAGNETIC	2	
13	615772001	PLUG-3/8 PIPE	1	
14	113076005	SHAFT DRIVE	2	
15	615774001	CAPSCREW	2	
16	622143001	PUMP-LUBE (3 GPM)	1	
	621521001	GASKET	1	
17	621522001	ADAPTER	1	
18	621523001	GEAR-72 TOOTH	2	
19	621524001	CAPSCREW	2	
20	615779001	TUBE-SUCTION	1	
21	615780001	TUBE DIPSTICK	1	
22	615781001	GAUGE - LEVEL	1	
23	732001	PLUG-1/8" PIPE PLUG BLACK STEEL	2	
24	113076009	SHAFT-DRIVE	1	
25	78515071	BEARING- # 4003674	10	
26	105159001	ORING	1	
27	615785001	GEAR-84 TOOTH	1	
28	615786001	GEAR-66 TOOTH	2	
29	615787001	HOUSING-CLUTCH	1	
30	99378033	OIL SEAL	1	
31	78515019	GREASE FITTING-# F660125	2	
32	615789001	CAPSCREW	6	
33	615790001	SPACER	6	
34	622816001	SHAFT-CLUTCH INPUT	1	
35	78515037	SHAFT-CLUTCH RELEASE #4056142	1	
36	78515017	KEY-WOODRUFF # F3620015	2	
37	64104003	CLUTCH HANDLE # 4A10AT17	1	
38	78515013	HYDRAULIC HOSE	1	
39	78515007	FITTING-LUBRICATION STRAIGHT	1	
40	78515011	STAR WASHER	1	
41	78515009	5/8-18 HEX JAM NUT	1	
42	72021015	ADAP IND INPUT	2	
43	78515049	PLATE-PUMP ADAPTER #4056312	2	
44	6303001	O-RING - 242 NAT.	2	
45	385014	BOLT 3/4in - 10 X 1 1/2 GR 8 HEX	8	
46	78515127	SHAFT-DRIVE 19T 13T	1	
47	635050126	VALVE-70PSI RELIEF	1	
48	113076011	SHAFT DRIVE	1	
49	67672001	NAME PLATE- #4028945	1	
50	67673001	SCREW- #F778168	2	

Breakdown-Pump Drive

Fig 05-03T01



Breakdown-Pump Drive

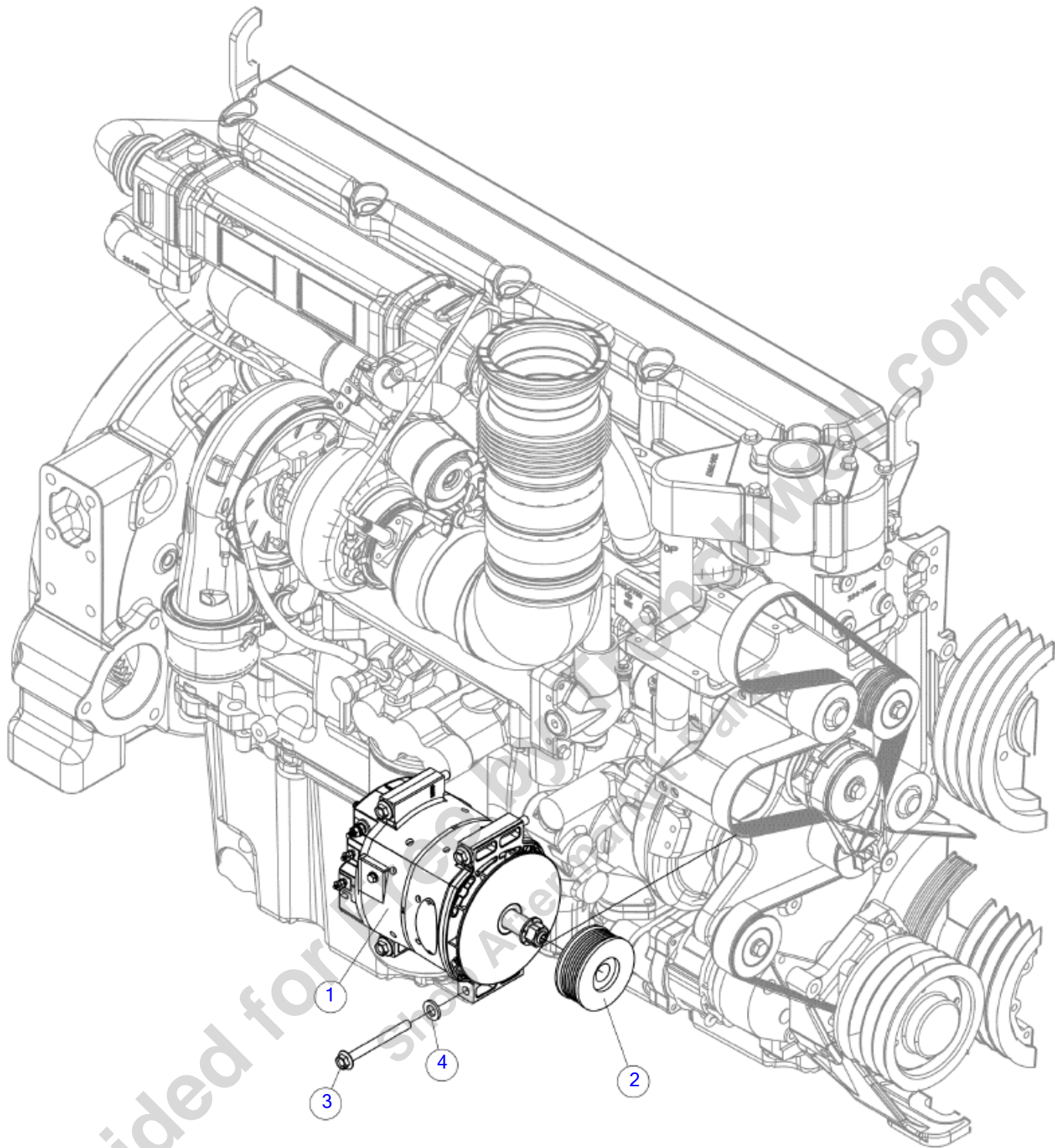
Fig 05-03T01

REF NO.	PART NO.	DESCRIPTION	QTY.	REMARKS
51	621529001	PLUGET-ORFICE	3	
52	621530001	PLUG-HEX SOC 9/16-18	3	
53	635550145	PLUG-CAVITY	1	
54	96060021	FITTING-SPECIAL	1	
55	96060019	MALE ELBOW	2	
	635550146	SEAL KIT	1	
	635050033	DRIVE ASSEMBLY-PUMP (W/COOLER LOOP)	A/R	Refer To Fig.5-3
	(635073001)	PUMP DRIVE- T955,T1055	A/R	Refer To Fig.5-3

Provided for Free by Trenchwell.com
Shop Aftermarket Parts

Alternator-Tier 4 Final

Fig 05-04



Alternator-Tier 4 Final

Fig 05-04

REF NO.	PART NO.	DESCRIPTION	QTY.	REMARKS
1	163682001	ALTERNATOR-24V - 105A - PAD MOUNT	1	
2	163682002	SHEAVE-PULLEY	1	
3	180007668	SCREW-HFS,M10-1.50X100,10.9,YZ (PFCN)	4	
4	508486012	WASHER-FLAT, HARDENED,M12, YZ, DIN6916	4	

Provided for Free by Trenchwell.com
Shop Aftermarket Parts

Subframe-Tier 3 Engine

Fig 05-05

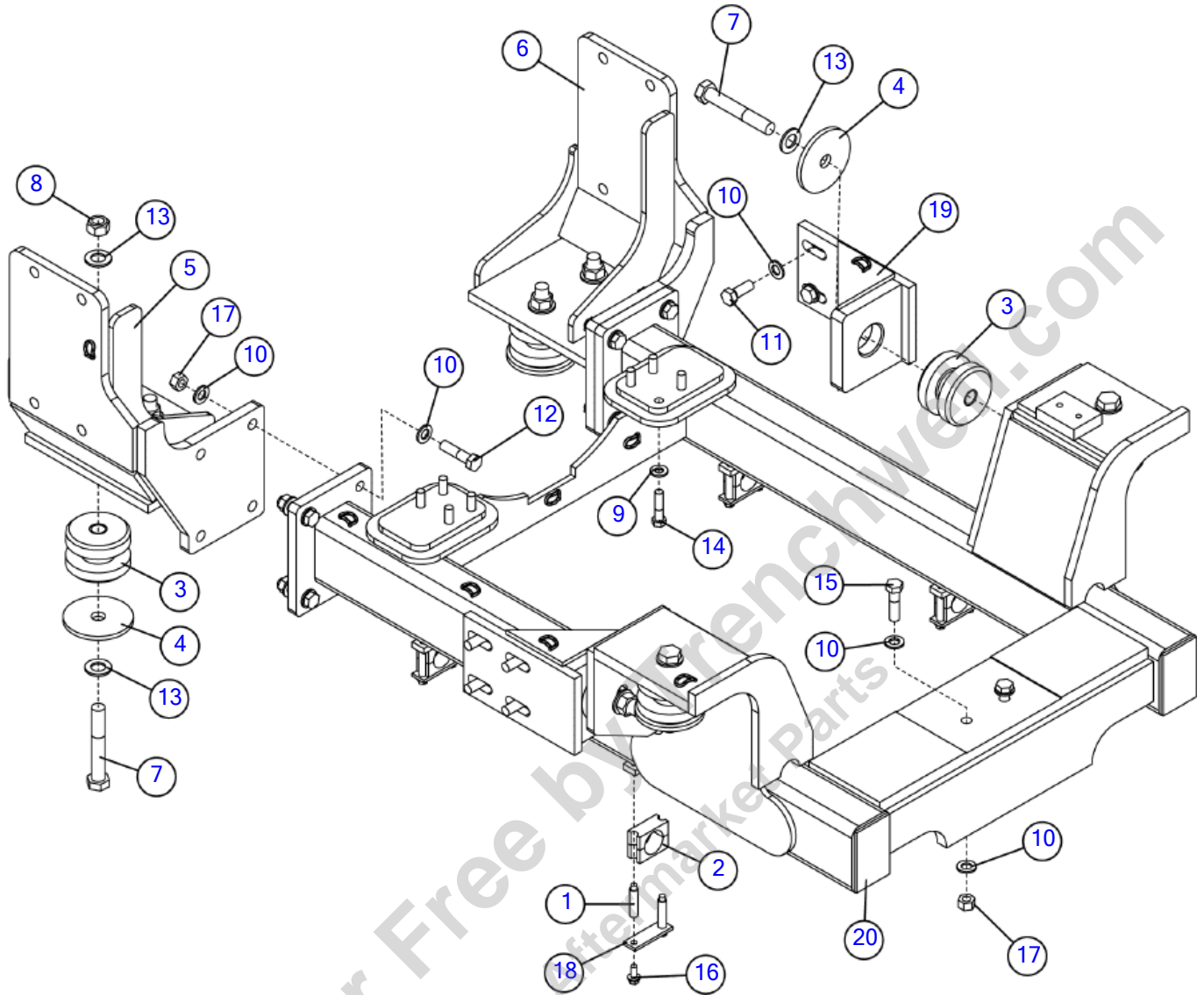


Illustration No.630225001-Not For Ordering

Subframe-Tier 3 Engine

Fig 05-05

REF NO.	PART NO.	DESCRIPTION	QTY.	REMARKS
1	101510005	POST-CLAMP SERIES 20 7/16-14	8	
2	101511005	CLAMP-CUSH. #20-1.937 DIA.HALF	8	
3	116813001	MOUNT MOTOR	8	
4	116908001	SLUG	8	
5	124132001	WELD-PUMP DRIVE MOUNT RIGHT	1	
6	124136001	WELD-PUMP DRIVE MOUNT LEFT	1	
7	160767001	BOLT - 1-8 X 6 1/2" HHCS GR 8 ZY	8	
8	163636047	NUT-TLHEX 1.00-8-C	8	
9	235715001	WASHER-FLATSTRL-.63-.66 X 1.31-.15-A325	8	
10	235717001	WASHER - 3/4" HARDENED FLAT	28	
11	235746001	BOLT-3/4-10X2 GR8 HEX	8	
12	238242001	BOLT 3/4"-10 X 3" GR8 HEX	8	
13	238892001	WASHER-FLATSTRL-1.00-1.13X2.00-.16-A325	16	
14	280647001	BOLT-5/8-11 X 2-1/2 GR 8	8	
15	296252069	BOLT - HCS - 3/4 - 10 X 2 3/4 GR8	2	
16	296300866	SCREW-HFS-.44-14X1.00-GR8-YZ	8	
17	397001	NUT-3/4-10 GR 8 SLTL	10	
18	601224001	BAR	4	
19	607425001	BRACE - SUBFRAME	2	
20	625014001	SUBFRAME-ENGINE	1	

Subframe-Tier 4 Final Engine

Fig 05-06

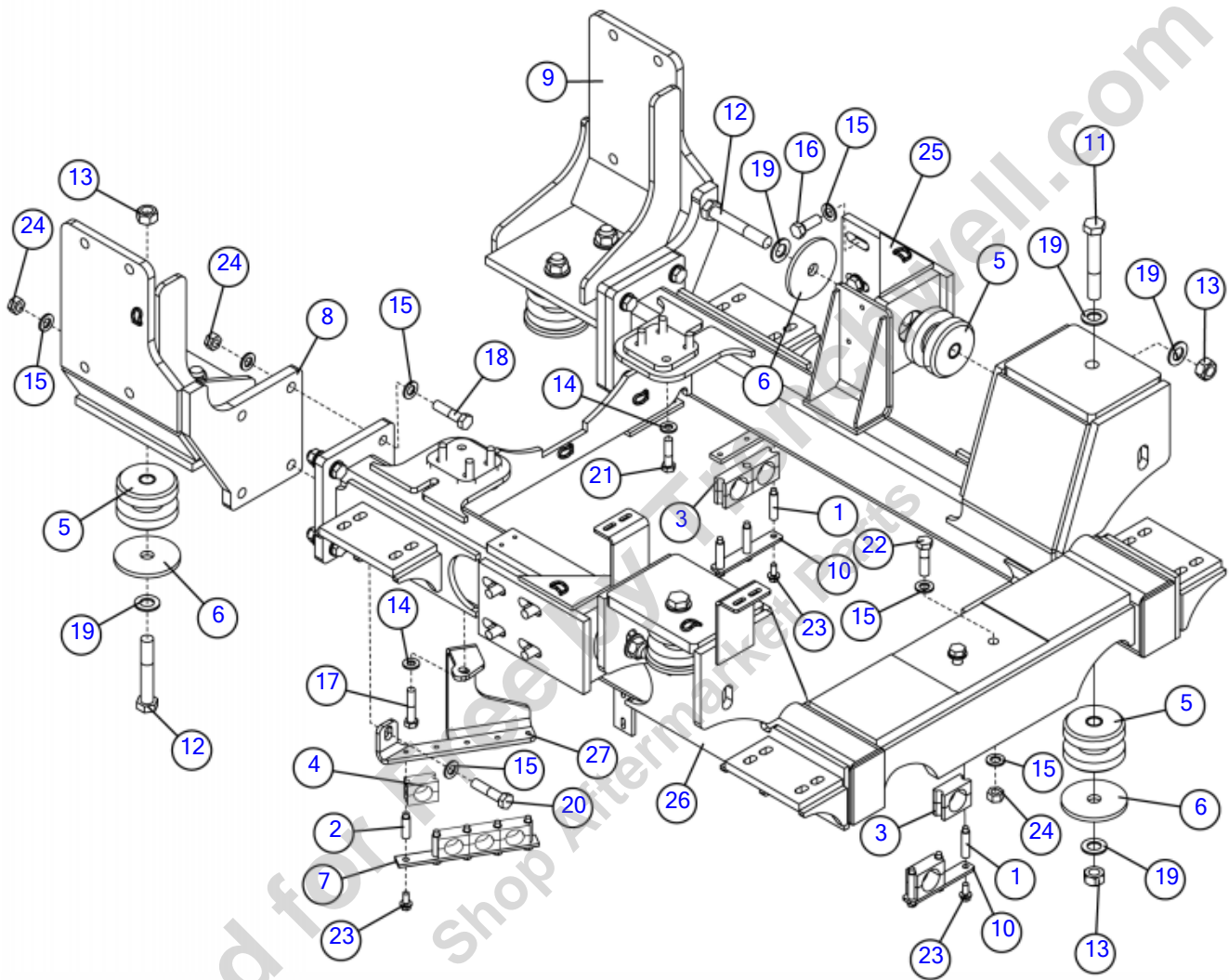


Illustration No.632990001-Not For Ordering

Subframe-Tier 4 Final Engine

Fig 05-06

REF NO.	PART NO.	DESCRIPTION	QTY.	REMARKS
1	101510005	POST-CLAMP SERIES 20 7/16-14	6	
2	101510007	POST-CLAMP SERIES 15 7/16-14	5	
3	101511005	CLAMP-CUSH. #20-1.937 DIA.HALF	8	
4	101511017	CLAMP-CUSH.#15-1.500 DIA. HALF	8	
5	116813001	MOUNT MOTOR	8	
6	116908001	SLUG	8	
7	121405001	BAR-HOSE CLAMP	1	
8	124132001	WELD-PUMP DRIVE MOUNT RIGHT	1	
9	124136001	WELD-PUMP DRIVE MOUNT LEFT	1	
10	155440001	BAR - DOUBLE #20 HOSE CLAMP	2	
11	160767001	BOLT - 1-8 X 6 1/2" HHCS GR 8 ZY	2	
12	163626350	SCREW- HCS-1-8X6.00-GR8	6	
13	163636047	NUT-TLHEX 1.00-8-C	8	
14	235715001	WASHER-FLATSTRL-.63-.66 X 1.31-.15-A325	8	
15	235717001	WASHER - 3/4" HARDENED FLAT	28	
16	235746001	BOLT-3/4-10X2 GR8 HEX	8	
17	235747001	BOLT-5/8-11X3 GR8 HEX	1	
18	238242001	BOLT 3/4"-10 X 3" GR8 HEX	7	
19	238892001	WASHER-FLATSTRL-1.00-1.13X2.00-.16-A325	16	
20	250604001	BOLT-3/4-10X3 1/4 GR8 HX	1	
21	280647001	BOLT-5/8-11 X 2-1/2 GR 8	7	
22	296252069	BOLT - HCS - 3/4 - 10 X 2 3/4 GR8 YZ	2	
23	296300866	SCREW-HFS-.44-14X1.00-GR8-YZ	11	
24	397001	NUT-3/4-10 GR 8 SLTL	10	
25	607425001	BRACE - SUBFRAME	2	
26	632991001	SUBFRAME-ENGINE	1	
27	635201729	MOUNT-HOSE	1	

Tier 4 Final Aftertreatment Frame

Fig 05-07

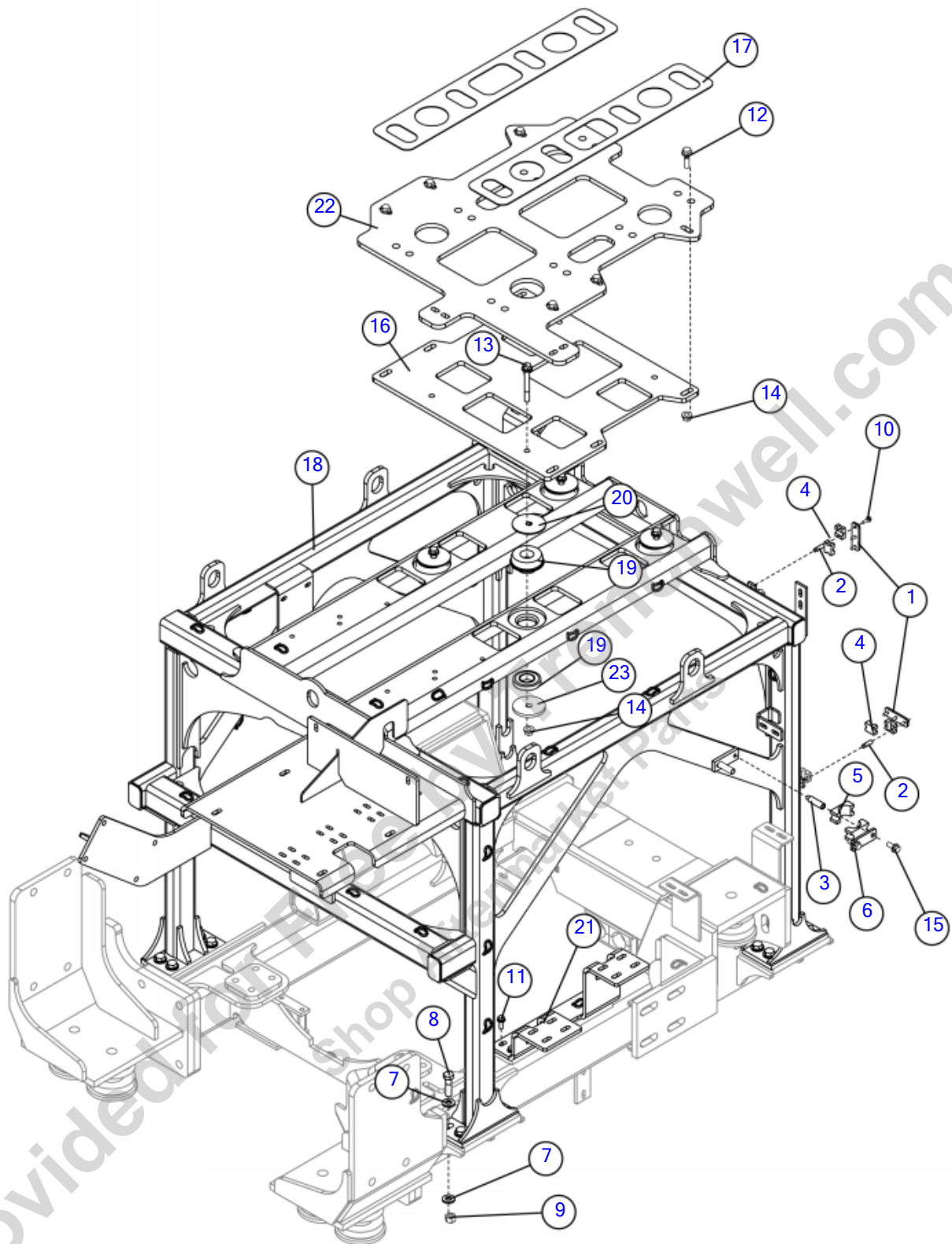


Illustration No.635201586-Not For Ordering

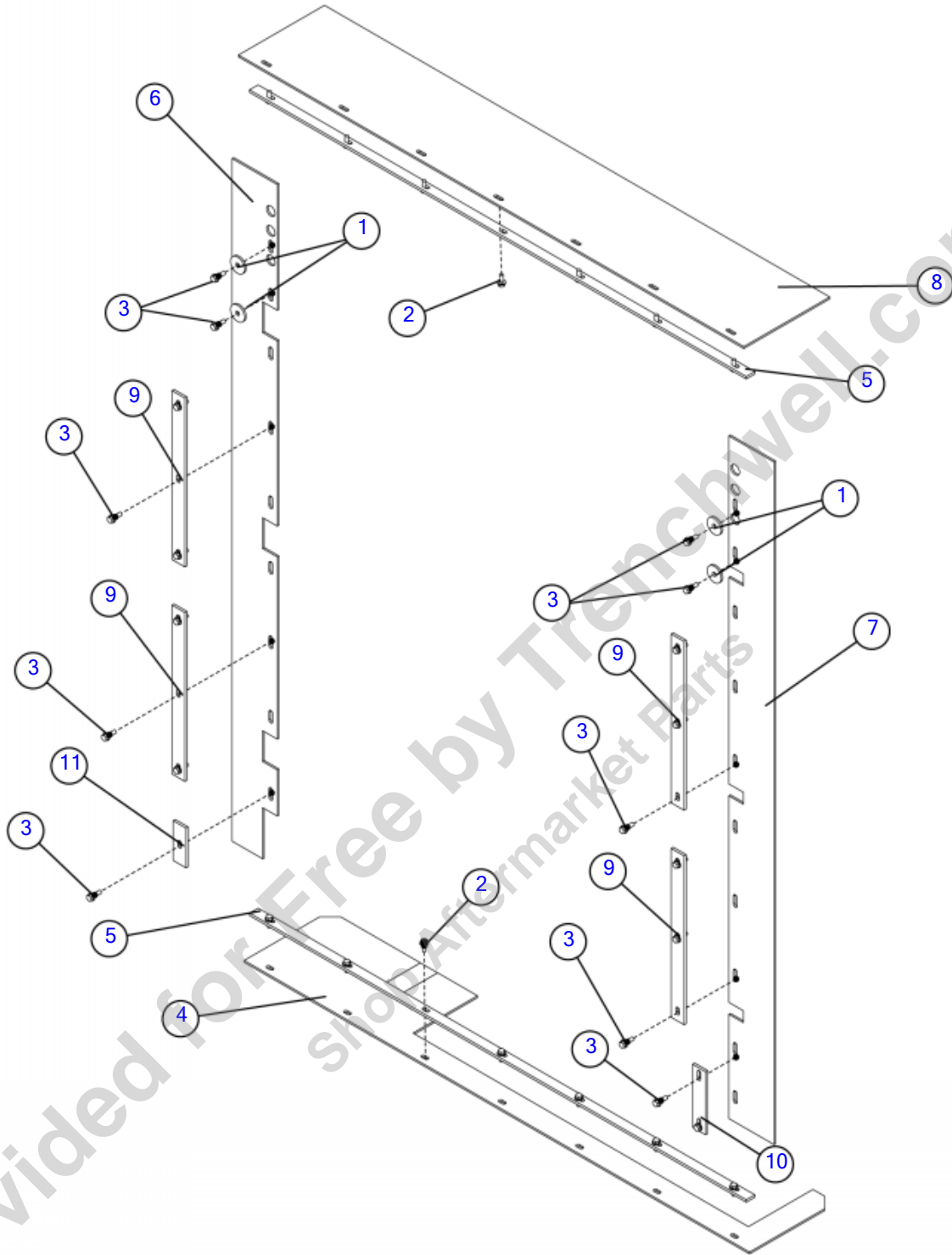
Tier 4 Final Aftertreatment Frame

Fig 05-07

REF NO.	PART NO.	DESCRIPTION	QTY.	REMARKS
1	100821001	CLAMP-HOSE	2	
2	101510003	POST-CLAMP SERIES 3 5/16-18	6	
3	101510007	POST-CLAMP SERIES 15 7/16-14	2	
4	101511001	CLAMP-CUSH. #3-0.500 DIA.HALF	8	
5	101511017	CLAMP-CUSH.#15-1.500 DIA. HALF	2	
6	121385001	BAR-HOSE CLAMP SINGLE	1	
7	235715001	WASHER-FLATSTRL-.63-.66 X 1.31-.15-A325	32	
8	238245001	BOLT 5/8" - 11 X 2 1/4 Gr 8 HEX	16	
9	250513001	NUT - 5/8NC Gr8 TOP LOCK	16	
10	296300753	SCREW-HFS-.25-20X.75-GR8	6	
11	296300772	SCREW HFS .38-16X1.00 GR8	4	
12	296300791	SCREW-HFS-.50-13X1.75-GR8	6	
13	296300798	SCREW-HFS-.50-13X4.00-GR8-YZ	4	
14	296300851	NUT-HEXFLGTL-.50-13-G	10	
15	296300866	SCREW-HFS-.44-14X1.00-GR8-YZ	2	
16	635201553	SLIDE PLATE-BOTTOM	1	
17	635201555	SHIM-AFTER TREATMENT MOUNT	2	
18	635201558	WELDMENT-AFT MOUNT	1	
19	635201588	ISOLATOR-T4F AFTERTREATMENT	4	Comes With T4 Final Engine
20	635201646	SPACER-ISOLATOR TOP	4	
21	635201703	WELDMENT-FILTER BRACKET	1	
22	635201776	SLIDE PLATE-TOP	1	
23	631868814	WASHER, SNUBBING - ISOLATOR	4	Service Part

Anti-Recirculation-Tier 3

Fig 05-08



Anti-Recirculation-Tier 3

Fig 05-08

REF NO.	PART NO.	DESCRIPTION	QTY.	REMARKS
1	277206001	WASHER - FLAT	4	
2	296300762	SCREW HFS .31 - 18 X .75 GR8	14	
3	296300763	SCREW,HFS,.31,18X1.00,GR8	19	
4	600854001	SHIELD-LOWER	1	
5	600855001	BAR-LOWER	2	
6	615389001	RUBBER-RADIATOR RIGHT SIDE	1	
7	615390001	RUBBER-RADIATOR LEFT SIDE	1	
8	615391001	RUBBER-RADIATOR SHIELD	1	
9	615392001	BAR-RUBBER HOLD DOWN	4	
10	615393001	BAR-RUBBER HOLD DOWN	1	
11	621565001	BAR-HOLDDOWN	1	

Provided for Free by Trenchwell.com
Shop Aftermarket Parts

Anti-Recirculation-Tier 4 Final

Fig 05-09

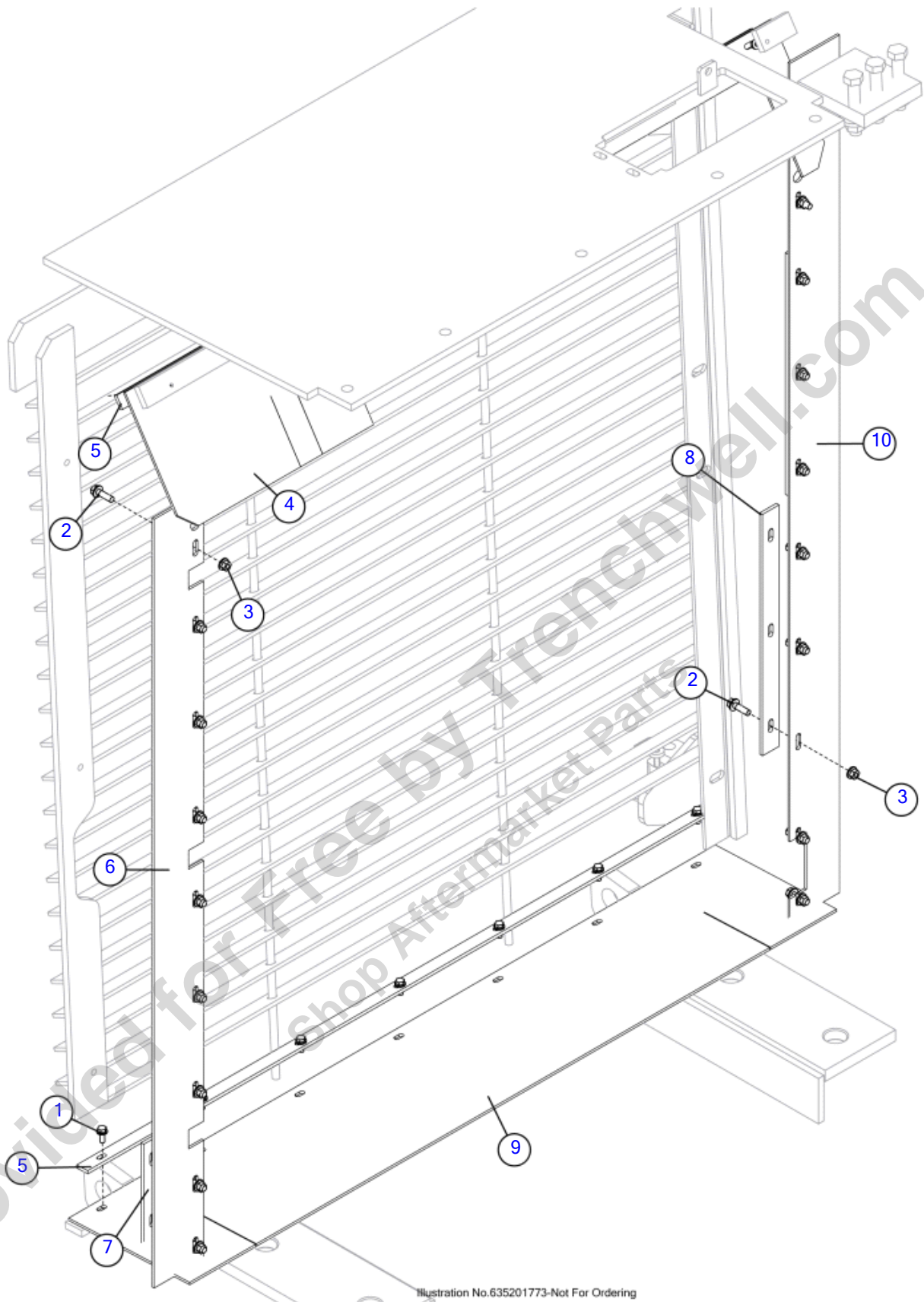


Illustration No.635201773-Not For Ordering

Anti-Recirculation-Tier 4 Final

Fig 05-09

REF NO.	PART NO.	DESCRIPTION	QTY.	REMARKS
1	296300762	SCREW HFS .31 - 18 X .75 GR8	14	
2	296300773	SCREW-HFS-.38-16X1.25-GR8	18	
3	296300850	NUT-HEXFLGTL-.38-16-G	18	
4	600854001	SHIELD-LOWER	1	
5	600855001	BAR-LOWER	2	
6	634268001	FLASHING-LEFT	1	
7	634274001	BAR-BOTTOM	1	
8	634275001	BAR-MIDDLE	4	
9	634298001	RUBBER-BOTTOM RADIATOR	1	
10	635201772	FLASHING - RIGHT	1	

Provided for Free by Trenchwell.com
Shop Aftermarket Parts

Radiator-Tier 3

Fig 05-10

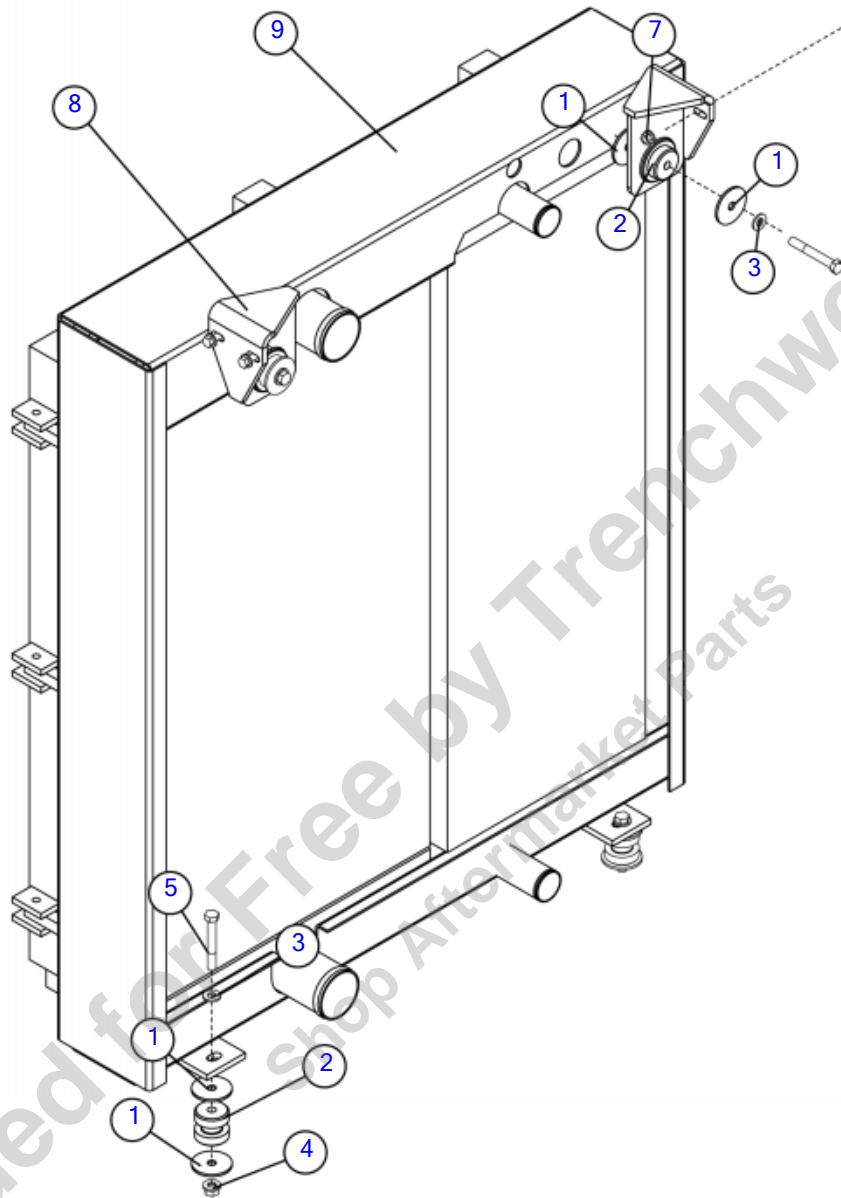


Illustration No.635202344-Not For Ordering

Radiator-Tier 3

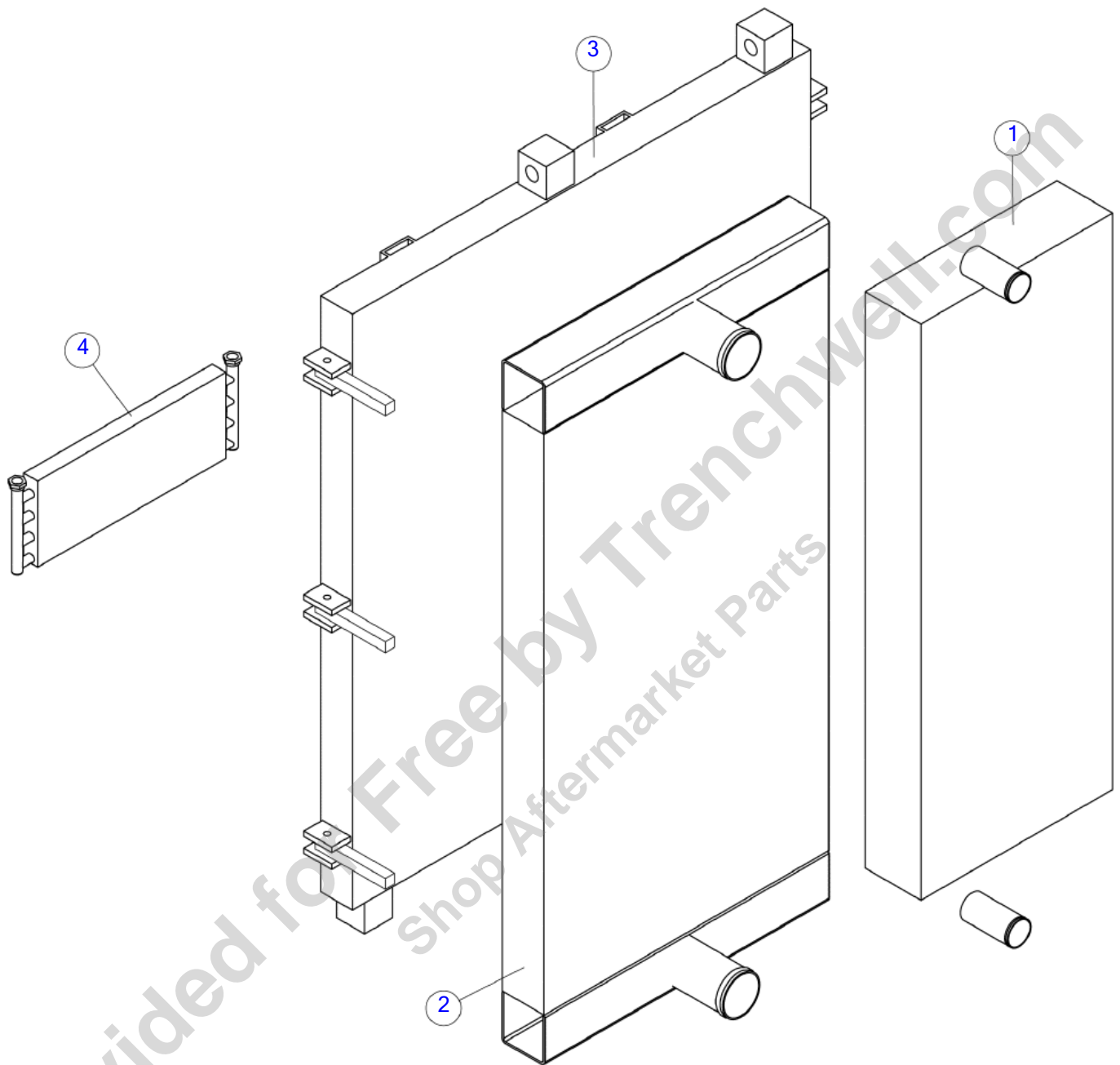
Fig 05-10

REF NO.	PART NO.	DESCRIPTION	QTY.	REMARKS
1	112948001	WASHER SNUB	12	
2	113087001	MOUNT-#22003-15	6	
3	235715001	WASHER-FLATSTRL-.63-.66 X 1.31-.15-A325	12	
4	250513001	NUT - 5/8NC Gr8 TOP LOCK	6	
5	287009001	BOLT - 5/8-11 X 4-1/2 GR8 HEX	6	
6	296300793	SCREW-HFS-.50-13X2.25-GR8-YZ	4	
7	296300851	NUT-HEXFLGTL-.50-13-G	4	
8	608779001	MOUNT - UPPER RADIATOR	2	
9	608803001	RADIATOR- CAC & OIL COOLER ASSEMBLY	1	Breakdown Fig. 5-10T01

Provided for Free by Trenchwell.com
Shop Aftermarket Parts

Breakdown-Radiator Tier 3

Fig 05-10T01



Breakdown-Radiator Tier 3

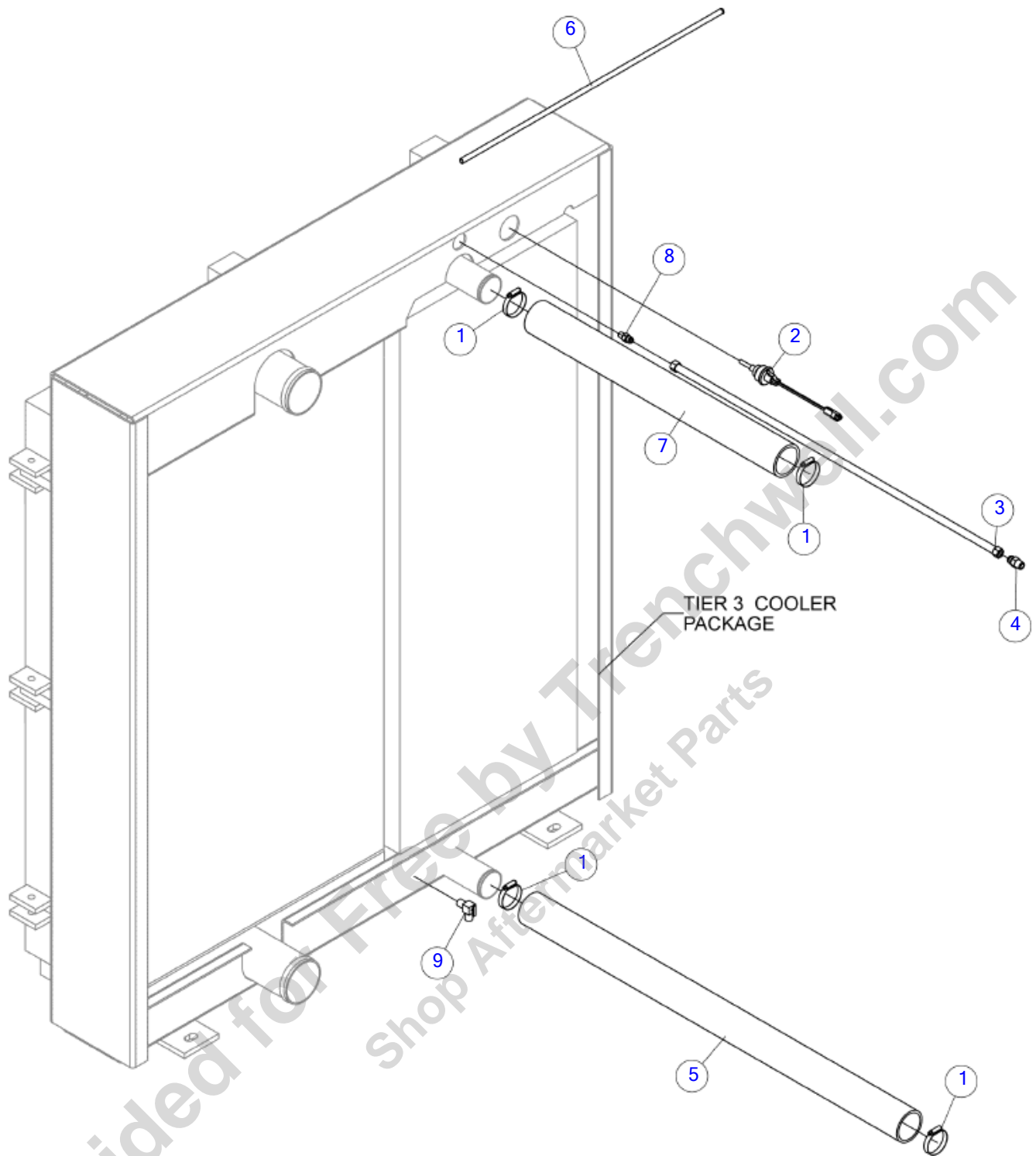
Fig 05-10T01

REF NO.	PART NO.	DESCRIPTION	QTY.	REMARKS
1	622029001	RADIATOR	1	
2	622028001	COOLER-CHARGE AIR	1	
3	622030001	COOLER OIL	1	
4	616038001	COOLER-FUEL	1	
	82596001	CAP-RADIATOR #74404	1	Not Shown
	608803001	RADIATOR- CAC & OIL COOLER ASSEMBLY	A/R	Refer To Fig.5-10

Provided for Free by Trenchwell.com
Shop Aftermarket Parts

Radiator Hoses-Tier 3

Fig 05-11



Radiator Hoses-Tier 3

Fig 05-11

REF NO.	PART NO.	DESCRIPTION	QTY.	REMARKS
1	124722001	HOSE CLAMP-CONSTANT TORQUE	4	
2	152424001	SENDER - FLUID LEVEL	1	
3	57940381	HOSE-3/8X38 6FSJIC SAE-100R1	1	
4	57947001	FITTING 3/8in MX 6JIC ST ADAPTER	1	
5	615398001	HOSE - RADIATOR 2.5 ID-44.00	1	
6	620255001	HOSE- 5/16 FUEL LINE	1	
7	625018001	HOSE-RADIATOR	1	
8	65562001	FITTING-1/4M X 6M JIC ST.	1	
9	82633001	FITTING-HEATER SHUT-OFF	1	

Provided for Free by Trenchwell.com
Shop Aftermarket Parts

Shroud-Tier 3

Fig 05-12

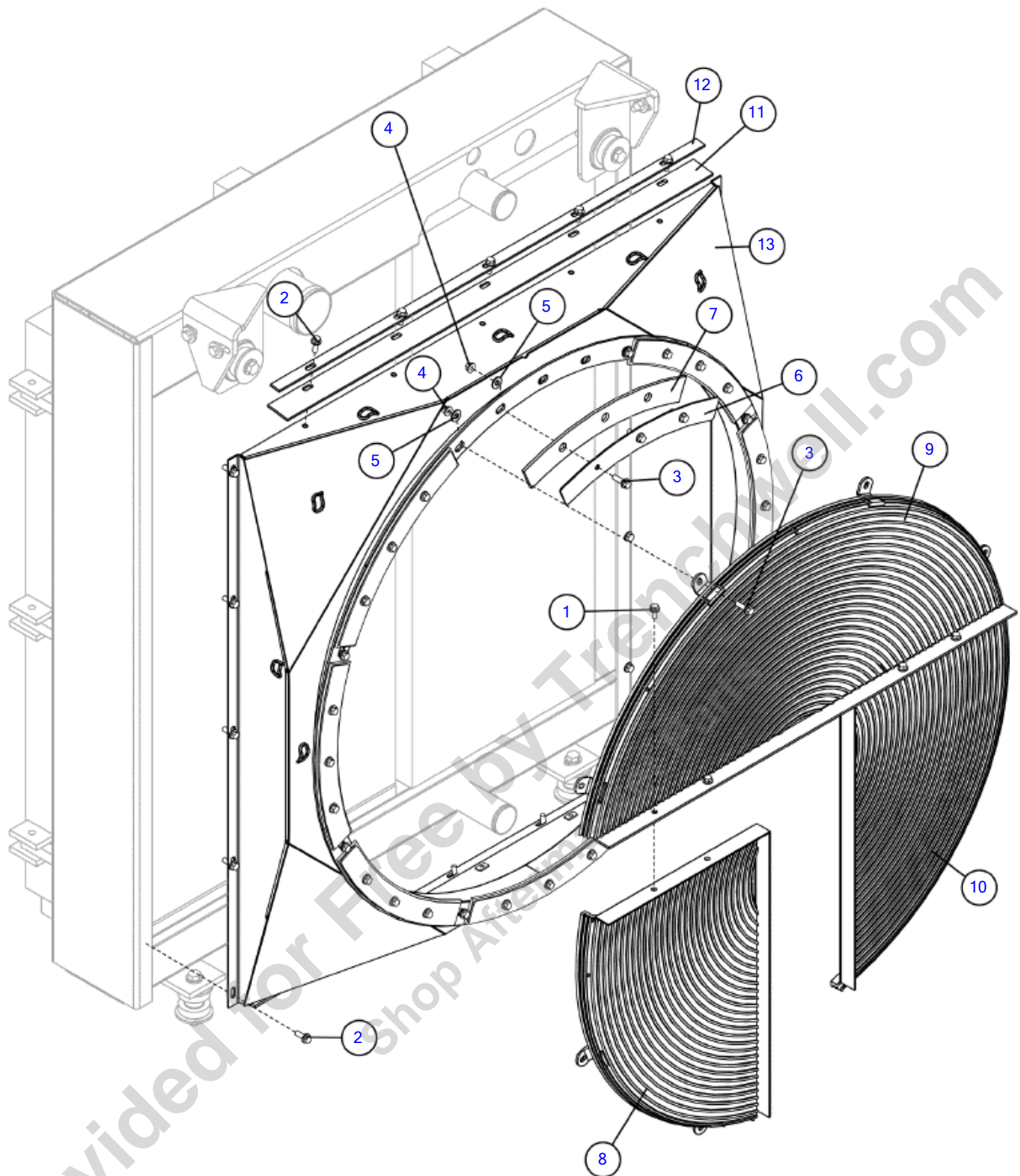


Illustration No.635202346-Not For Ordering

Shroud-Tier 3

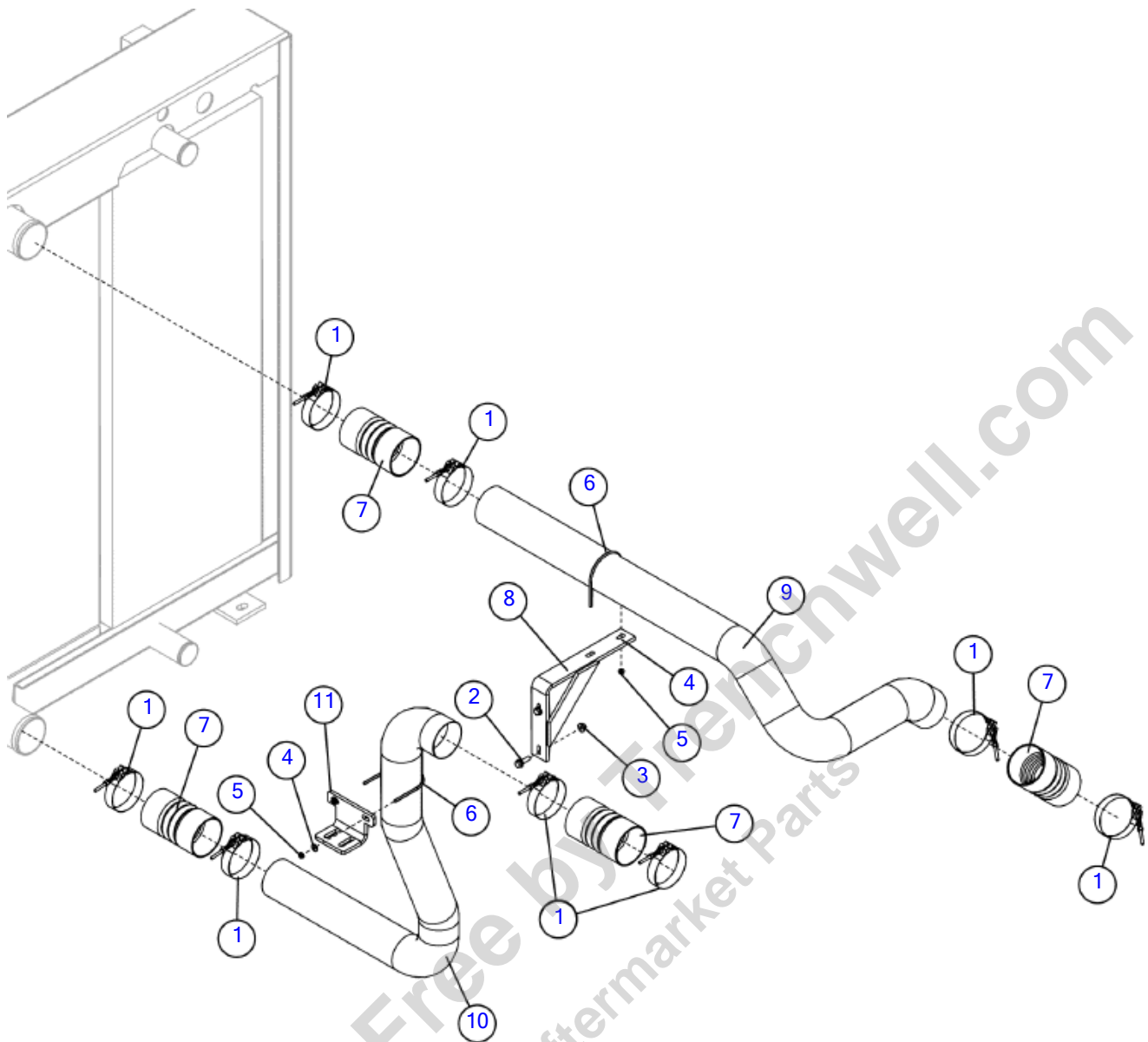
Fig 05-12

REF NO.	PART NO.	DESCRIPTION	QTY.	REMARKS
1	296300771	SCREW-HFS-.38-16X.75GR8	4	
2	296300772	SCREW HFS .38-16X1.00 GR8	20	
3	296300773	SCREW-HFS-.38-16X1.25-GR8	32	
4	296300850	NUT-HEXFLGTL-.38-16-G	32	
5	485007	WASHER-FLATSTD-.38-.44X1.00-.08-CZ	33	
6	601473001	BAR-HOLD DOWN	8	
7	601474001	FLANGE-RUBBER GUARD	8	
8	612954001	GUARD - FAN LEFT	1	
9	612955001	GUARD - FAN UPPER	1	
10	612956001	GUARD - FAN RIGHT	1	
11	622120001	SHIELD-RADIATOR RUBBER	2	
12	622121001	BAR-RUBBER HOLD DOWN	2	
13	625348001	SHROUD-FAN (46")	1	

Provided for Free by Trenchwell.com
Shop Aftermarket Parts

CAC Tubes-Tier 3

Fig 05-13



CAC Tubes-Tier 3

Fig 05-13

REF NO.	PART NO.	DESCRIPTION	QTY.	REMARKS
1	123617001	CLAMP-SPRING LOADED HOSE	8	
2	296300773	SCREW-HFS-.38-16X1.25-GR8	2	
3	296300850	NUT-HEXFLGTL-.38-16-G	2	
4	510337603	WASHER FLATSTD .25 .31 X .75 .07	4	
5	510352505	NUT-SMFLGTL-.25-20-G	4	
6	606353001	CLAMP - 2" U-BOLT	2	
7	624879001	HOSE-4X4X7 HUMP	4	
8	625000001	BAR-TUBE SUPPORT	1	
9	625004001	TUBE-TOP ATAAC	1	
10	625005001	TUBE-BOTTOM ATAAC	1	
11	625032001	BAR-TUBE SUPPORT	1	

Provided for Free by Trenchwell.com
Shop Aftermarket Parts

Radiator-Tier 4 Final (SN 550-553)

Fig 05-14

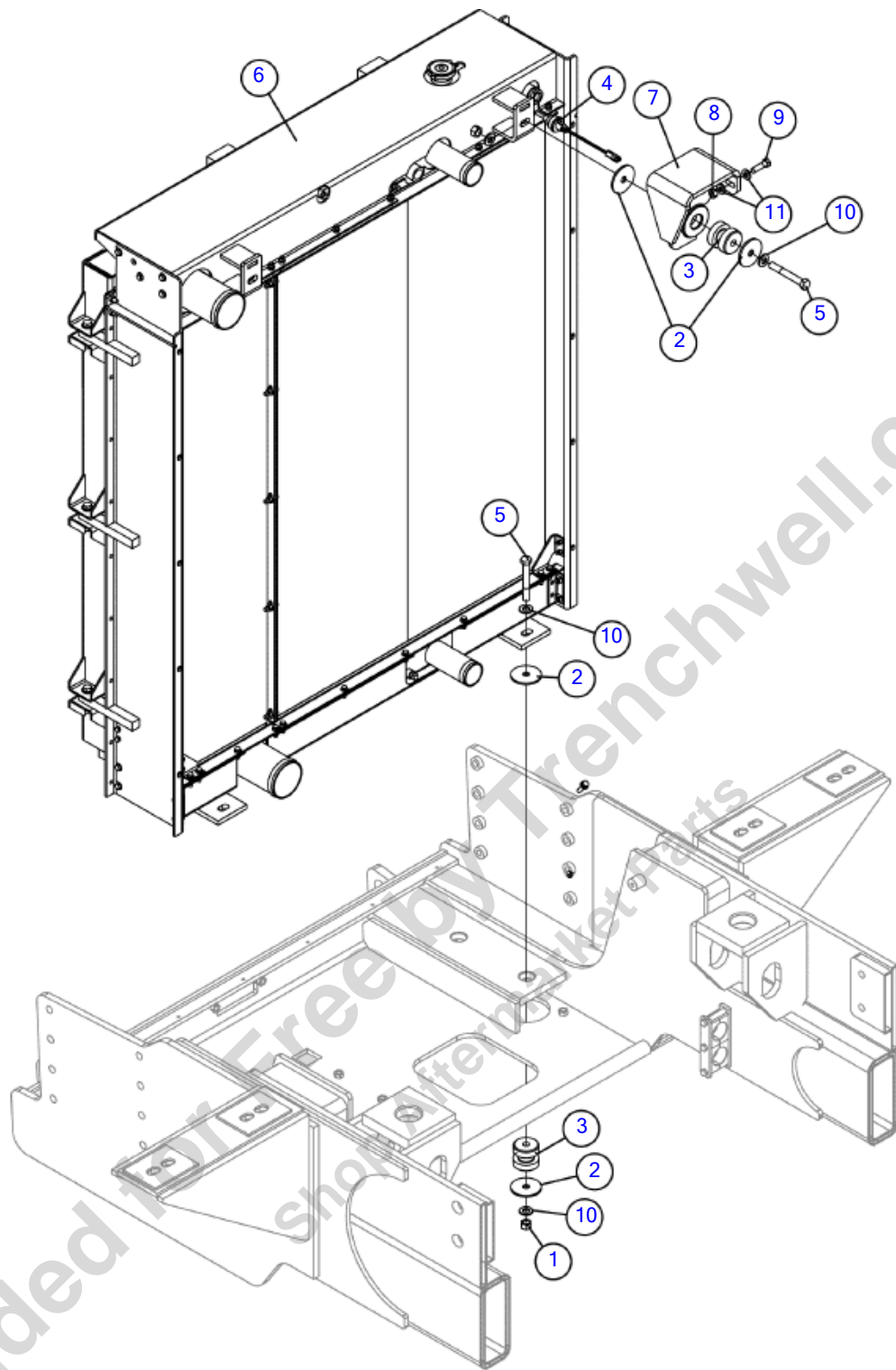


Illustration No.633616001-Not For Ordering

Radiator-Tier 4 Final (SN 550-553)

Fig 05-14

REF NO.	PART NO.	DESCRIPTION	QTY.	REMARKS
1	102638001	NUT-5/8-11 SLTL GR.8	6	
2	112948001	WASHER SNUB	12	
3	113087001	MOUNT-#22003-15	6	
4	180028710	SENSOR- COOLANT LEVEL	1	
4	(152424001)	SENDER - FLUID LEVEL	1	
5	27169044	BOLT-5/8-11UNCX4 1/2 GR.8 HEX	6	
6	631863645	COOLER RAD/CAC/HOC/FOC	1	Breakdown Fig.5-14T01
6	(634261001)	COOLER RAD/CAC/HOC/FOC	1	Breakdown Fig.5-14T01
7	635201568	MOUNT-RADIATOR TOP	1	
8	75380001	NUT-1/2-UNC GRADE 8 HEX	4	
9	75381016	BOLT-1/2-UNCX1 3/4 GR.8 HEX	4	
10	85706001	WASHER-5/8 HARDEN	12	
11	86510001	WASHER-1/2 FLT HARDENED	8	

Provided for Free by Trenchwell.com
Shop Aftermarket Parts

Radiator - Tier 4 Final (SN 554-)

Fig 05-14R01

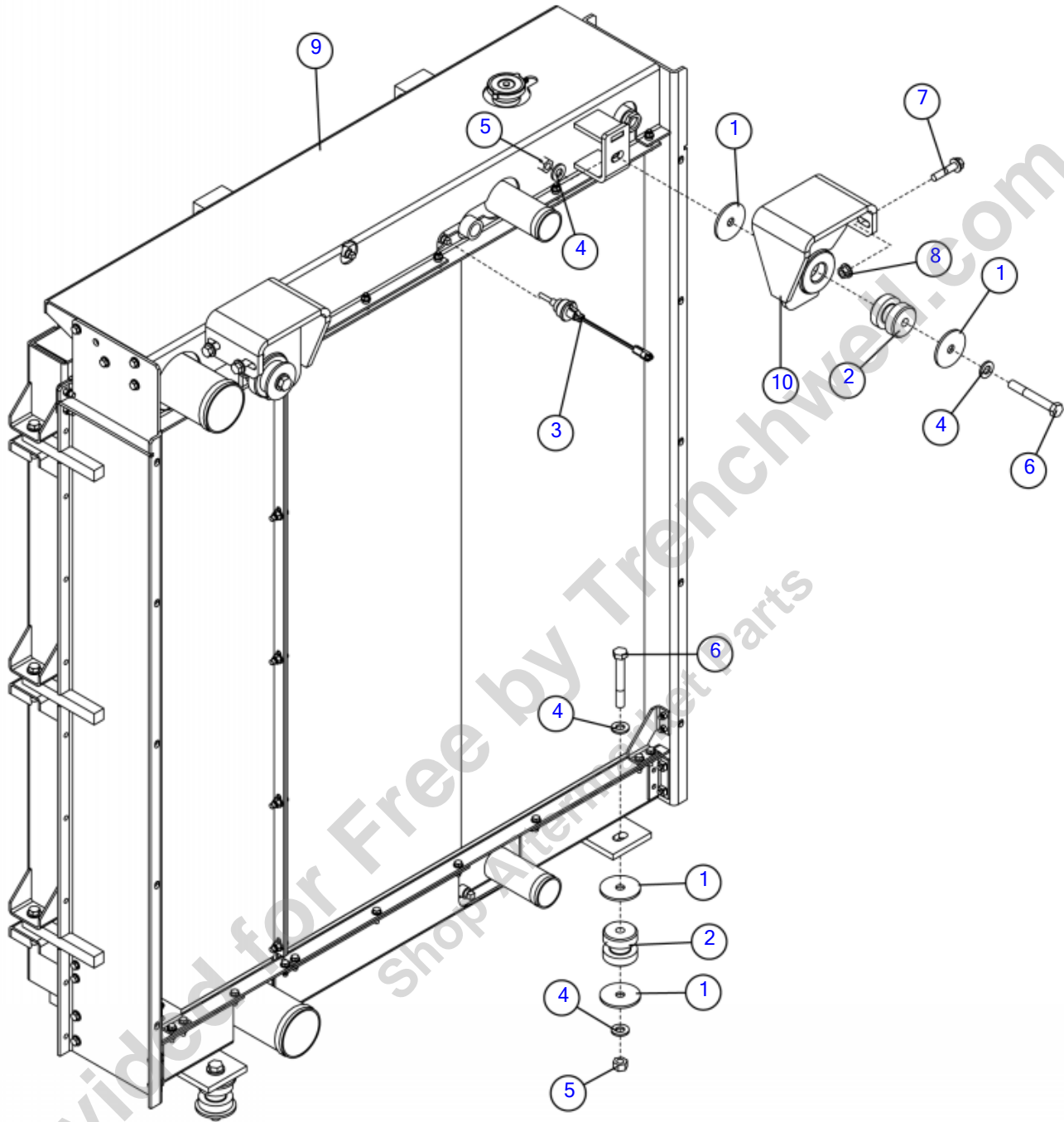


Illustration No.633616001-Not For Ordering

Radiator - Tier 4 Final (SN 554-)

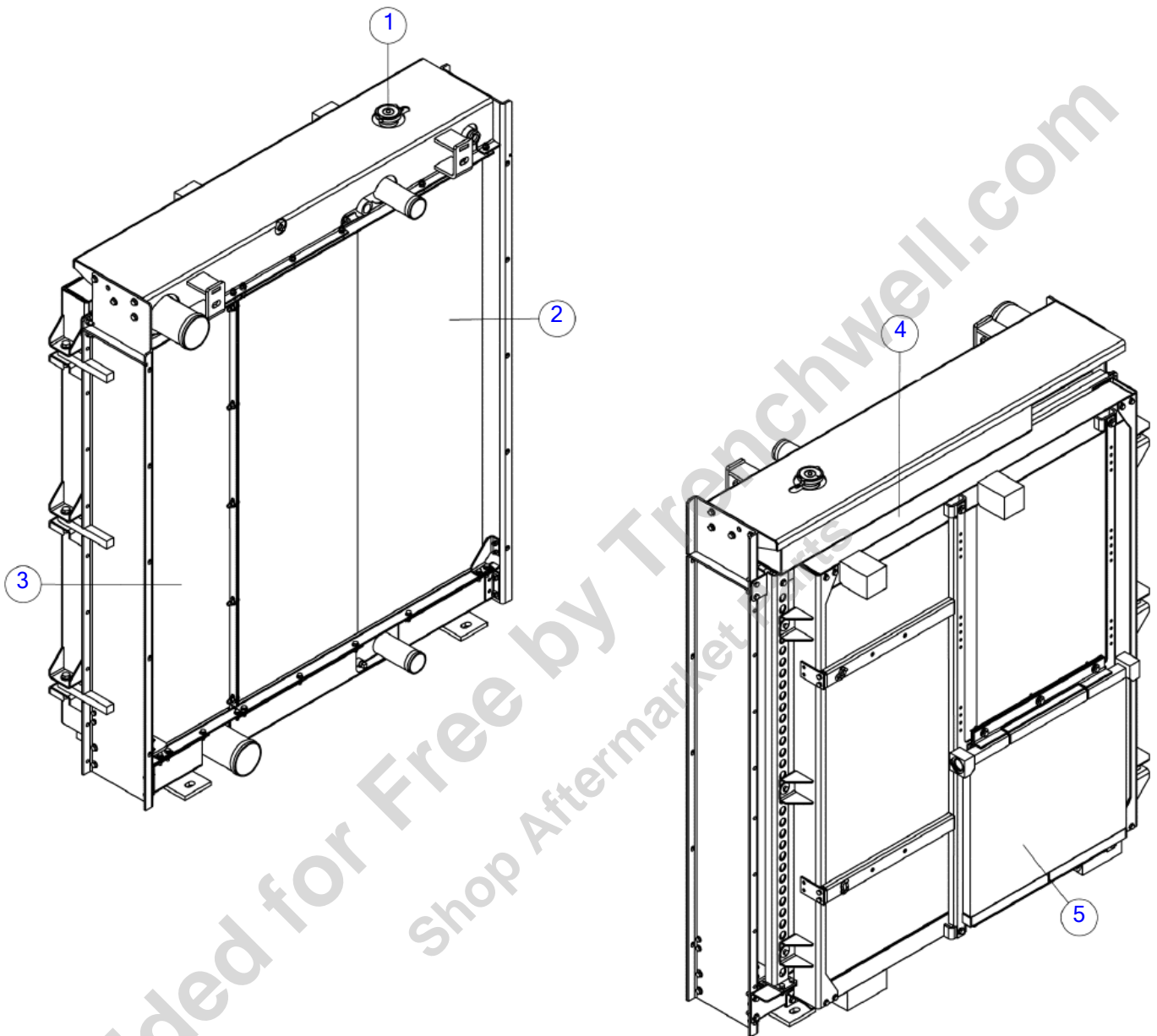
Fig 05-14R01

REF NO.	PART NO.	DESCRIPTION	QTY.	REMARKS
1	112948001	WASHER SNUB	12	
2	113087001	MOUNT-#22003-15	6	
3	180028710	SENSOR- COOLANT LEVEL	1	
4	235715001	WASHER-FLATSTRL-.63-.66 X 1.31-.15-A325	12	
5	250513001	NUT - 5/8NC Gr8 TOP LOCK	6	
6	287009001	BOLT - 5/8-11 X 4-1/2 GR8 HEX	6	
7	296300793	SCREW-HFS-.50-13X2.25-GR8-YZ	4	
8	296300851	NUT-HEXFLGTL-.50-13-G	4	
9	631863645	COOLER RAD/CAC/HOC/FOC	1	Breakdown Fig. 5-14T01R01
10	635201568	MOUNT-RADIATOR TOP	2	

Provided for Free by Trenchwell.com
Shop Aftermarket Parts

Breakdown-Tier 4 Final Radiator (SN 550-553)

Fig 05-14T01



Breakdown-Tier 4 Final Radiator (SN 550-553)

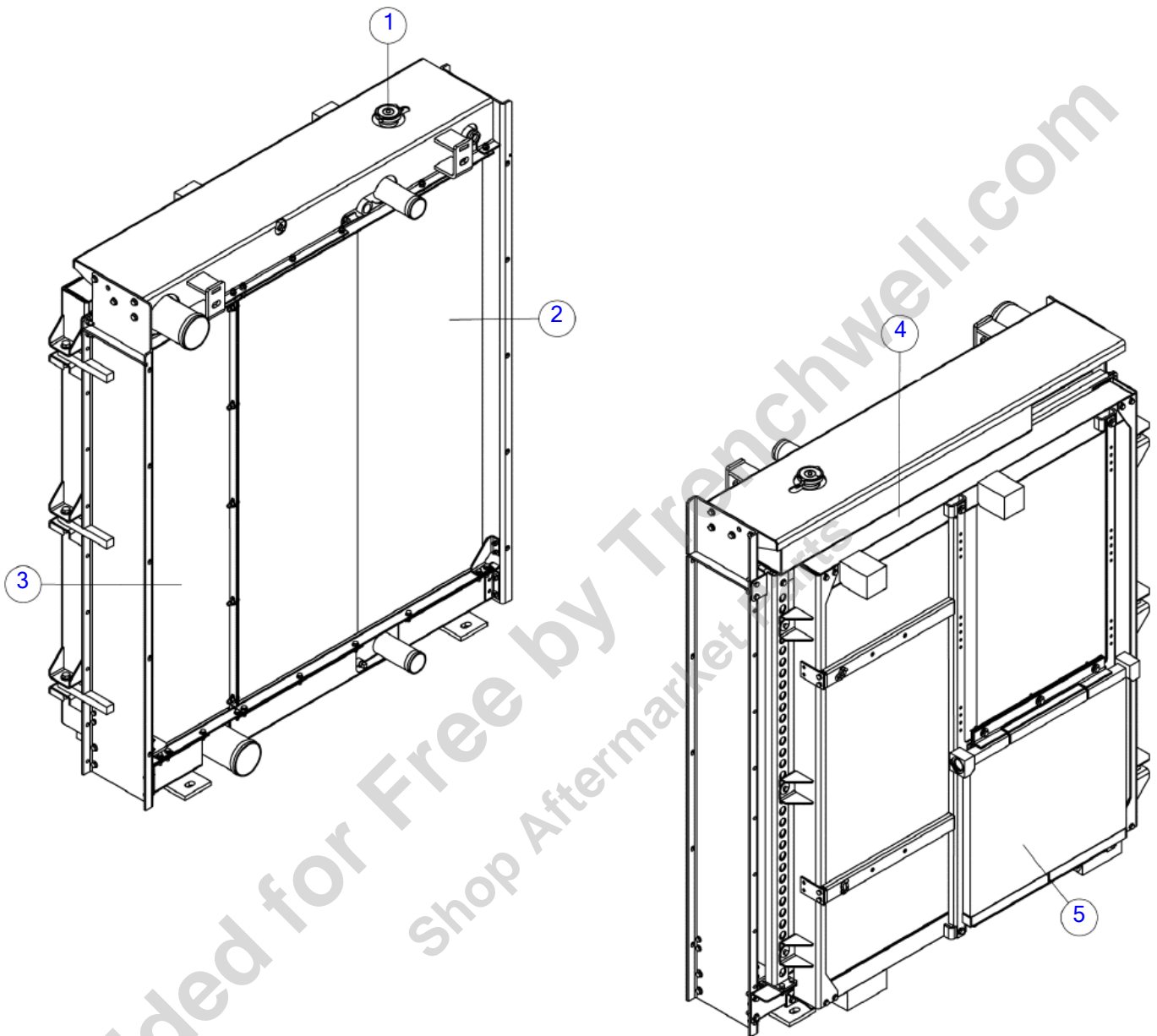
Fig 05-14T01

REF NO.	PART NO.	DESCRIPTION	QTY.	REMARKS
1	82596001	CAP-RADIATOR #74404	1	
2	635460001	RADIATOR	1	
3	635461001	CHARGE AIR COOLER	1	
4	635462001	OIL COOLER WITH SIDE MEMBER	1	
5	296386384	TB OIL COOLER W/ BRACKETS	1	
	631863645	COOLER RAD/CAC/HOC/FOC	1	Refer To Fig.5-14
	(634261001)	COOLER RAD/CAC/HOC/FOC	1	Refer To Fig.5-14

Provided for Free by Trenchwell.com
Shop Aftermarket Parts

Breakdown-Tier 4 Final Radiator (SN 554-)

Fig 05-14T01R01



Breakdown-Tier 4 Final Radiator (SN 554-)

Fig 05-14T01R01

REF NO.	PART NO.	DESCRIPTION	QTY.	REMARKS
1	82596001	CAP-RADIATOR #74404	1	
2	635460001	RADIATOR	1	
3	635461001	CHARGE AIR COOLER	1	
4	635462001	OIL COOLER WITH SIDE MEMBER	1	
5	296386384	TB OIL COOLER W/ BRACKETS	1	
	631863645	COOLER RAD/CAC/HOC/FOC	1	Refer To Fig.5-14r01

Provided for Free by Trenchwell.com
Shop Aftermarket Parts

Shroud\Finger Guard-Tier 4 final

Fig 05-15

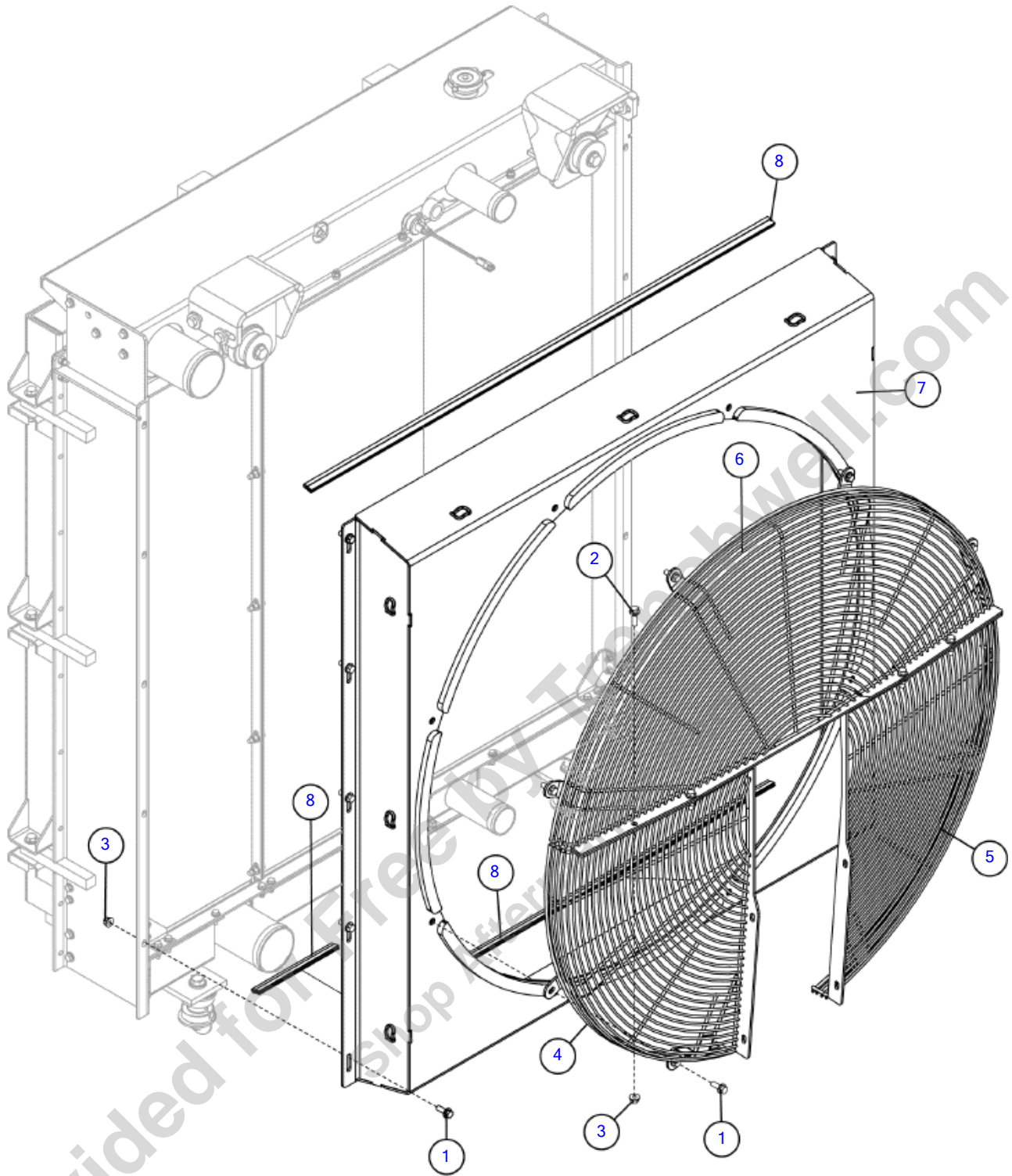


Illustration No.635201691-Not For Ordering

Shroud\Finger Guard-Tier 4 final
Fig 05-15

REF NO.	PART NO.	DESCRIPTION	QTY.	REMARKS
1	296300772	SCREW HFS .38-16X1.00 GR8	18	
2	296300773	SCREW-HFS-.38-16X1.25-GR8	4	
3	296300850	NUT-HEXFLGTL-.38-16-G	14	
4	635000001	GUARD-FINGER LEFT	1	
5	635001001	GUARD-FINGER RIGHT	1	
6	635002001	GUARD-FINGER TOP	1	
7	635201694	WELDMENT-FAN SHROUD	1	
8	97456001	SEAL-BULB EDGE STYLE C	3	

Provided for Free by Trenchwell.com
Shop Aftermarket Parts

Engine Air Cleaner-Tier 3

Fig 05-16

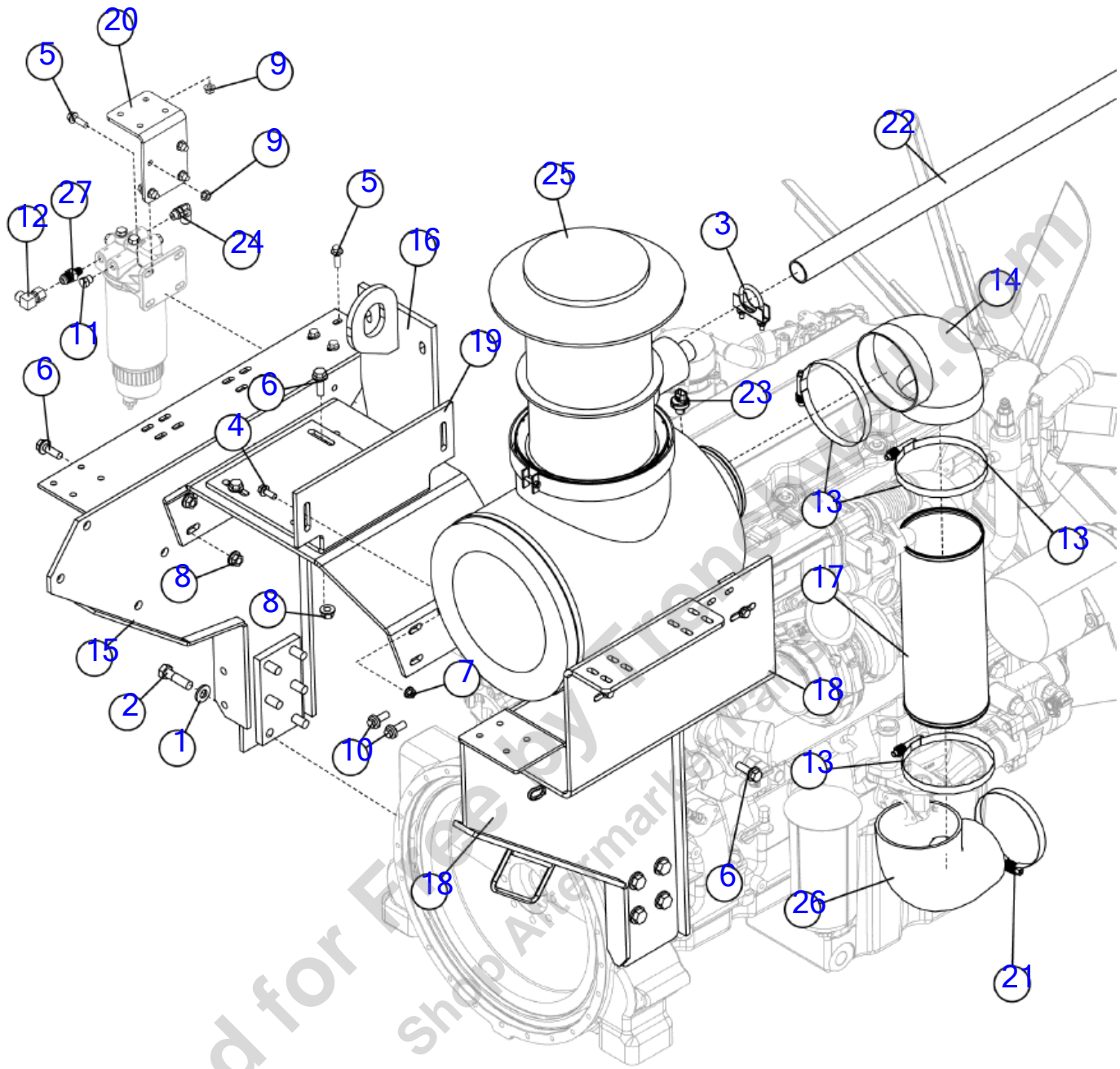


Illustration No. 630226001 - Not For Ordering

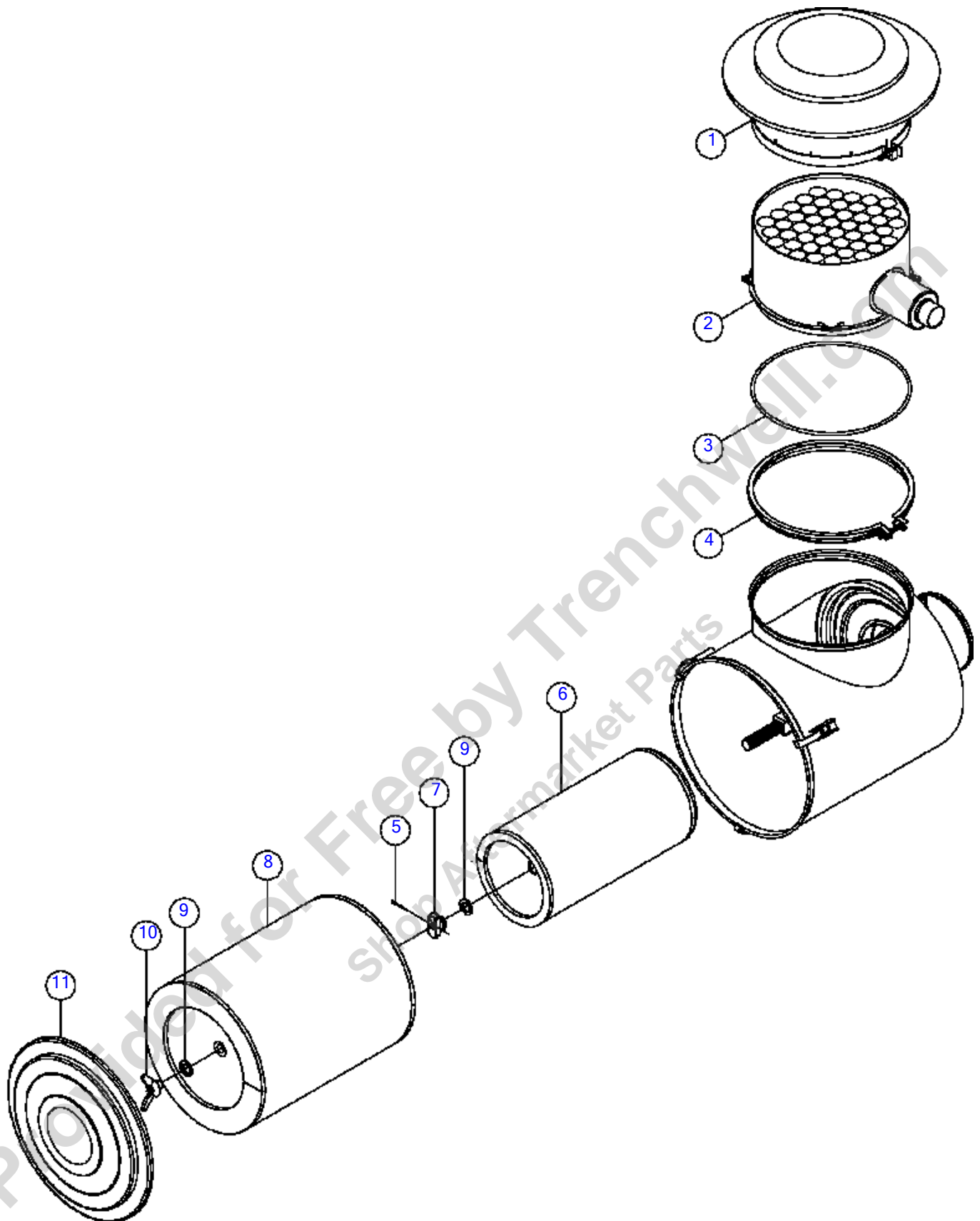
Engine Air Cleaner-Tier 3

Fig 05-16

REF NO.	PART NO.	DESCRIPTION	QTY.	REMARKS
1	235715001	WASHER-FLATSTRL-.63-.66 X 1.31-.15-A325	10	
2	238245001	BOLT 5/8" - 11 X 2 1/4 Gr 8 HEX	10	
3	2609001	MUFFLER CLAMP - 1 3/4	1	
4	296300772	SCREW HFS .38-16X1.00 GR8	4	
5	296300773	SCREW-HFS-.38-16X1.25-GR8	8	
6	296300790	SCREW HFS .50 13X1.50 GR8	12	
7	296300850	NUT-HEXFLGTL-.38-16-G	4	
8	296300851	NUT-HEXFLGTL-.50-13-G	12	
9	296300895	NUT, HEXFLG-.38-16-GR8-YZ	8	
10	507613030	SCREW-HFS,M12-1.75X30,10.9,ANSI,B18.2.3.9M,PT	4	
11	5553001	FITTING - PLUG - 6MORB - HEX	5	
12	59405001	FITTING-8M JICX8FS JIC 90 DEG.ELBOW	1	
13	604987001	CLAMP-CON TORQUE 5 3/4 - 6 5/8	3	
14	618875001	HOSE- 6" ID 90 DEG ELBOW	1	
15	620319001	MOUNT-AIR CLEANER LEFT	1	
16	625008001	MOUNT-OIL FILTER	1	
17	625015001	TUBE-AIR CLEANER	1	
18	625057001	MOUNT-AIR CLEANER RIGHT	1	
19	625058001	SUPPORT-AIR CLEANER	1	
20	625686001	MOUNT-CAT FUEL FILTER	1	
21	628118001	CLAMP-CON TORQUE 4 3/4-5 5/8	1	
22	634665001	HOSE-INTERFLEX METAL 1.75" OD X 1.5" ID X 50" LONG	1	
23	635201077	SENSOR-LOW PRESSURE 40" (H2O)	1	
24	77811001	FITTING - 6M O-RING X 8M JIC 90 DEG	1	
25	78513001	AIR CLEANER	1	Breakdown Fig. 5-16T01
26	84096001	HOSE-5X4 90DEG. ELBOW	1	
27	86235001	FITTING-6M ORING X 8M JIC STR.	1	

Breakdown-Tier 3 Engine Air Cleaner

Fig 05-16T01



Breakdown-Tier 3 Engine Air Cleaner
Fig 05-16T01

REF NO.	PART NO.	DESCRIPTION	QTY.	REMARKS
1	78513003	HOOD	1	
2	78513005	BODY	1	
3	2156011	GASKET-CUP-P01-7804	1	
4	78513009	CLAMP- # P12-7009	1	
5	510011	COTTER PIN-1/8" X 1 1/2"	1	
6	28918005	ELEMENT	1	
7	28918007	NUT ASSY-DONALDSON RNX00-4816	1	
8	28918009	ELEMENT	1	Standard
	628904001	ELEMENT-AIR FILTER P185041E	1	High Efficiency (Field Installation)
9	158854001	GASKET	2	
10	28918013	NUT-DONALDSON P10-9062	1	
11	28918017	COVER ASSY	1	
	78513001	AIR CLEANER	A/R	Refer To Fig.5-16

Provided for Free by Trenchwell.com
 Shop Aftermarket Parts

Air Cleaner-Tier 4 Final

Fig 05-17

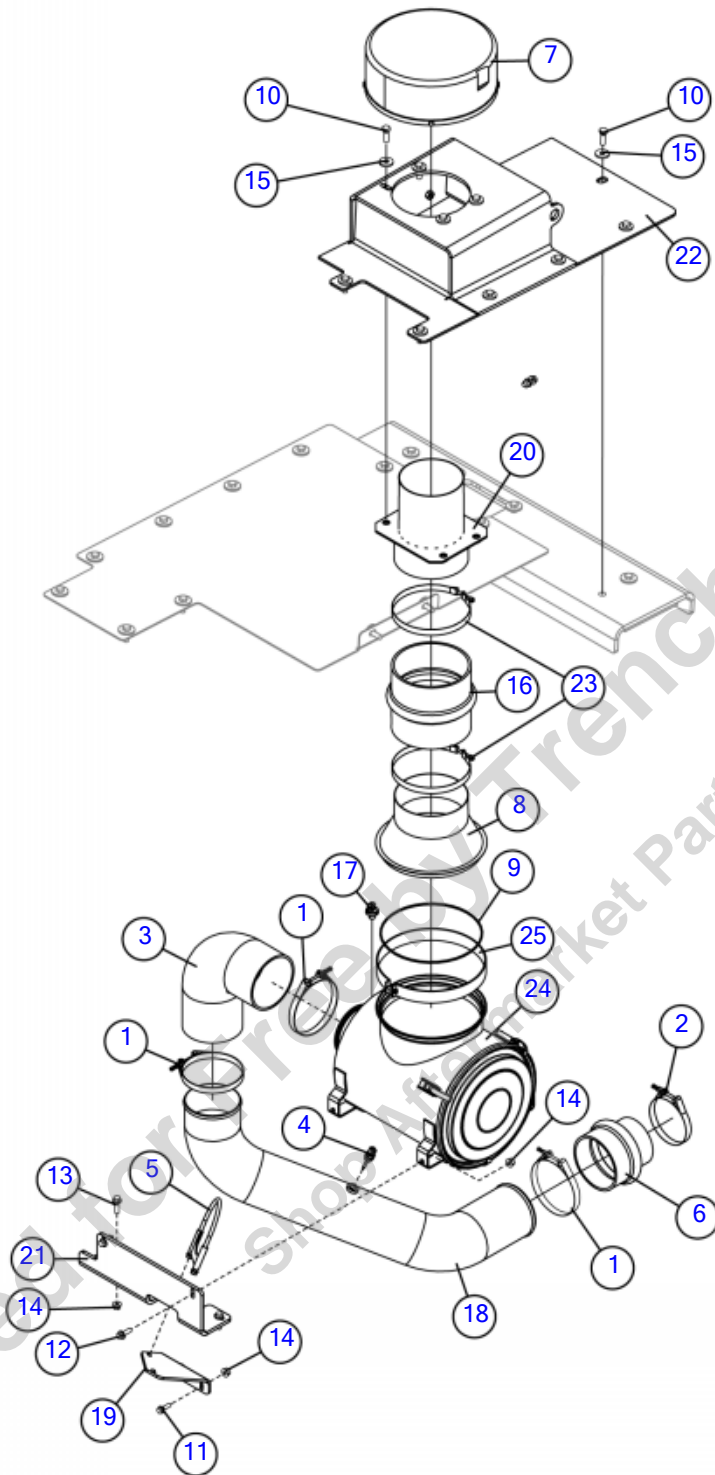


Illustration No.635201741-Not For Ordering

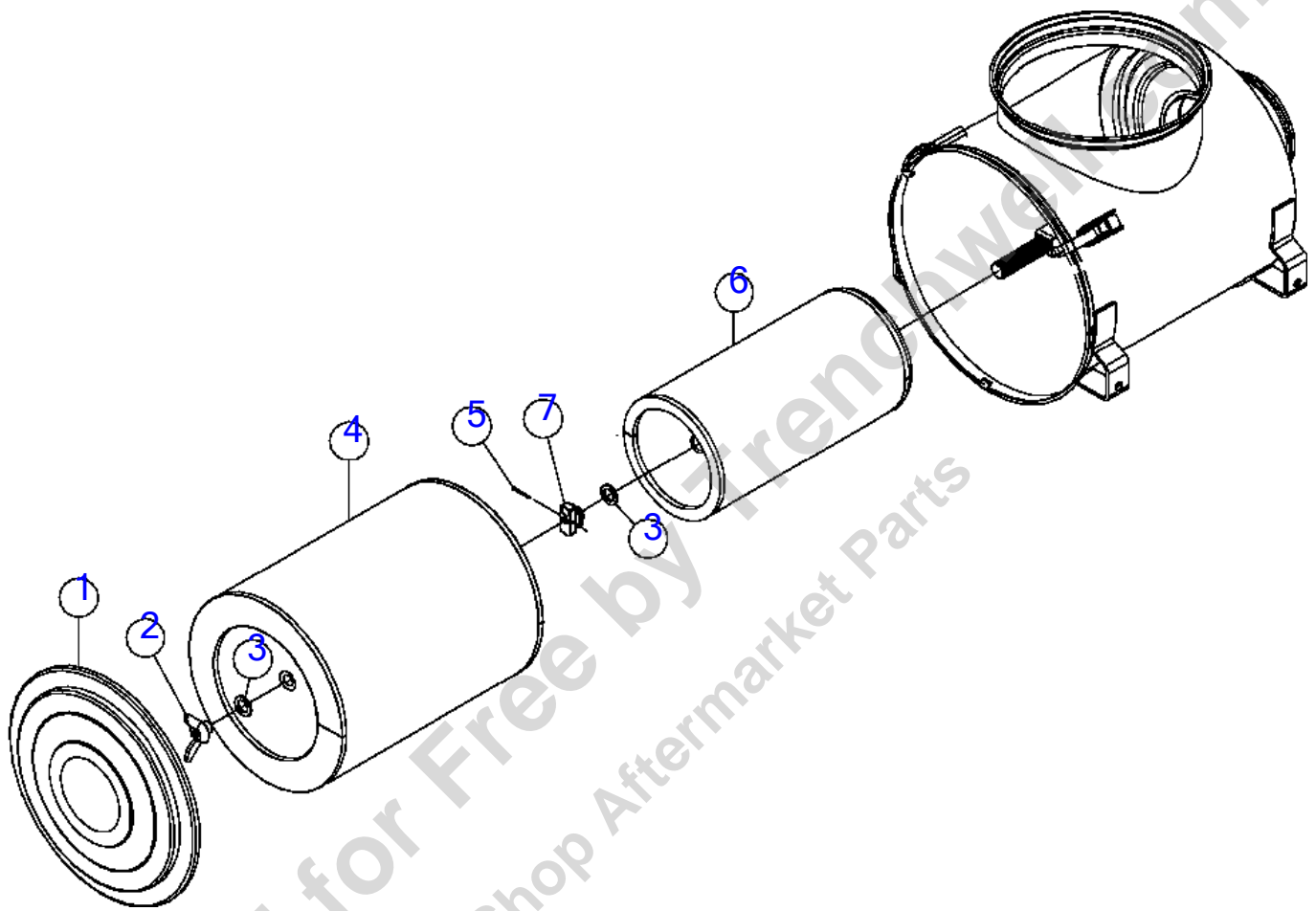
Air Cleaner-Tier 4 Final

Fig 05-17

REF NO.	PART NO.	DESCRIPTION	QTY.	REMARKS
1	124688001	CLAMP-SPRING LOADED HOSE 6.25	3	
2	131632001	CLAMP-SPRING LOADED TBOLT 544	1	
3	149116001	HOSE - 6" 90 DEGREE ELBOW	1	
4	163649469	SENSOR - AIR TEMPERATURE-CAT	1	
5	163657739	CLAMP 6" MUFFLER	1	
6	163694353	REDUCER - 6 X 5 HUMP HOSE NEOPRENE	1	
7	163696194	PRE-CLEANER 770L	1	
8	180007425	EXPANSION ADAPTER	1	
9	2156011	GASKET-CUP-P01-7804	1	
10	235721001	BOLT-1/2-13X1 1/2 GR8	10	
11	296300773	SCREW-HFS-.38-16X1.25-GR8	2	
12	296300781	SCREW HFS .44 14X1.25 GR8 YZ	4	
13	296300782	SCREW-HFS-.44-14X1.50-GR8- YZ	2	
14	296300883	NUT HEXFLGTL .44 14 G YZ	8	
15	510360637	WASHER FLATSTRL .50 .53X1.50 .19	10	
16	631858770	HUMP HOSE CONNECTOR - 8" TO 8"	1	
17	635201077	SENSOR-LOW PRESSURE 40" (H2O)	1	
18	635201626	TUBE - AIR IN	1	
19	635201632	MOUNT-TUBE	1	
20	635201731	FLANGED ADAPTER 7: - 8"	1	
21	635201733	L-PLATE	1	
22	635201738	WELDMENT-PRECLEANER MOUNT	1	
23	635201757	CLAMP-T BOLT HOSE-8.38 ID	2	
24	635203612	AIR CLEANER	1	Breakdown Fig. 5-17T01
25	78513009	CLAMP- # P12-7009	1	

Breakdown-Tier 4 Final Air Cleaner

Fig 05-17T01



Breakdown-Tier 4 Final Air Cleaner

Fig 05-17T01

REF NO.	PART NO.	DESCRIPTION	QTY.	REMARKS
1	28918017	COVER ASSY	1	
2	28918013	NUT-DONALDSON P10-9062	1	
3	158854001	GASKET	2	
4	28918009	ELEMENT	1	Standard
	628904001	ELEMENT-AIR FILTER P185041E	1	High Efficiency (Field Installation)
5	510011	COTTER PIN-1/8" X 1 1/2"	1	
6	28918005	ELEMENT	1	
7	28918007	NUT ASSY-DONALDSON RNX00-4816	1	
	635203612	AIR CLEANER	A/R	Refer To Fig 5-17

Provided for Free by Trenchwell.com
Shop Aftermarket Parts

Muffler-Tier 3

Fig 05-18

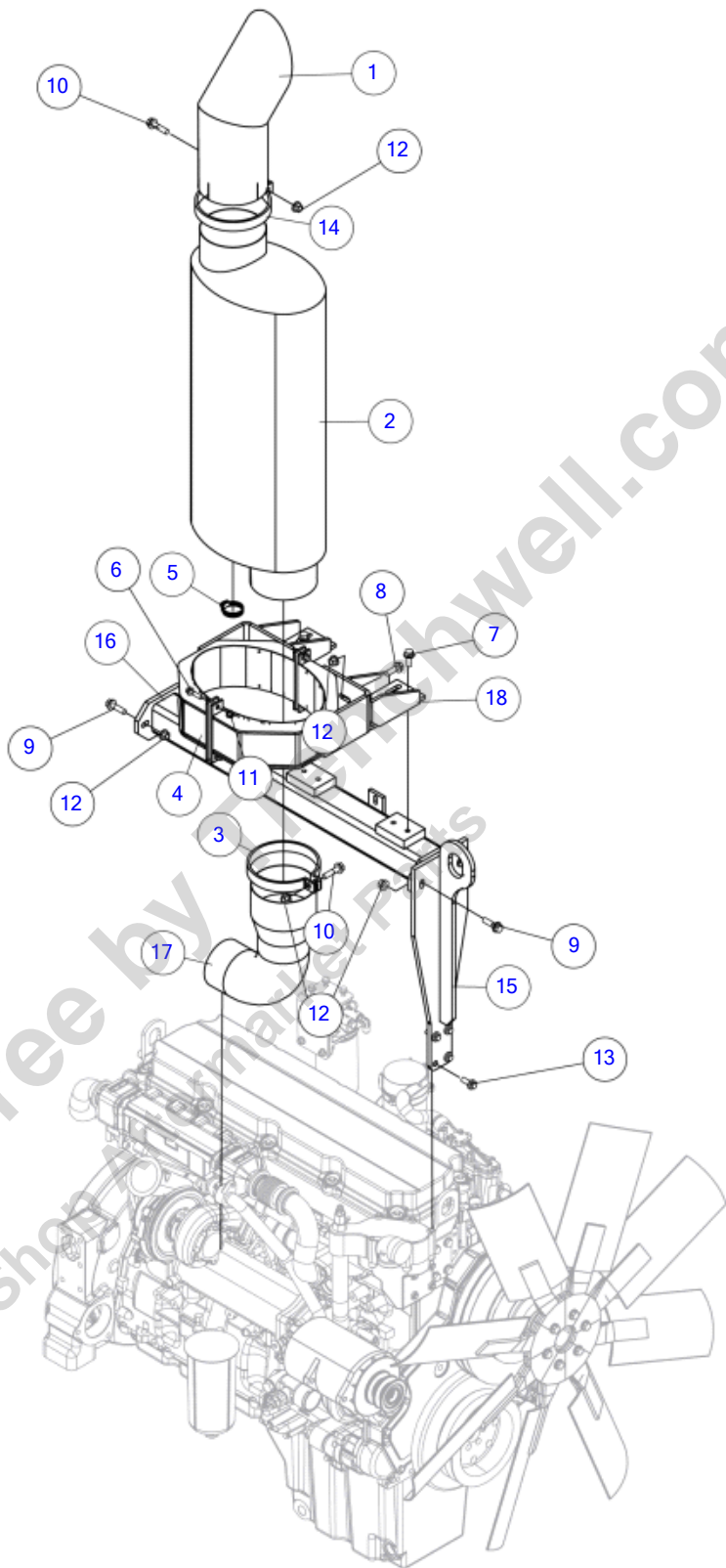


Illustration No.630227001-Not For Ordering

Muffler-Tier 3

Fig 05-18

REF NO.	PART NO.	DESCRIPTION	QTY.	REMARKS
1	123940001	WELD-MUFFLER EXTENSION	1	
2	123974001	MUFFLER - 6.622 IN AND OUT VERTICAL	1	
3	123984001	CLAMP 6.7in HD FLAT BAND	1	
4	124122001	WELD-MUFFLER CLAMP	2	
5	1580007	HOSE CLAMP - 1 1/2"	1	
6	296300774	SCREW HFS .38 - 16 X 1.50 GR8	4	
7	296300789	SCREW-HFS-.50-13X1.25-GR8	4	
8	296300790	SCREW HFS .50 13X1.50 GR8	4	
9	296300791	SCREW-HFS-.50-13X1.75-GR8	4	
10	296300792	SCREW-HFS-.50-13X2.00-GR8	2	
11	296300850	NUT-HEXFLGTL-.38-16-G	4	
12	296300851	NUT-HEXFLGTL-.50-13-G	10	
13	507613030	SCREW-HFS,M12-1.75X30,10.9,ANSI,B18.2.3.9M,PT	4	
14	607862001	CLAMP - 7" H.D FLAT BAND	1	
15	625006001	MOUNT-FRONT MUFFLER SUPPORT	1	
16	625009001	MOUNT-MUFFLER	1	
17	625010001	TUBE EXHAUST	1	
18	625011001	MOUNT-MUFFLER BRACKET	2	

Provided for Free by Trenchwell.com
Shop Aftermarket Parts

Exhaust Tube-Tier 4 Final

Fig 05-19

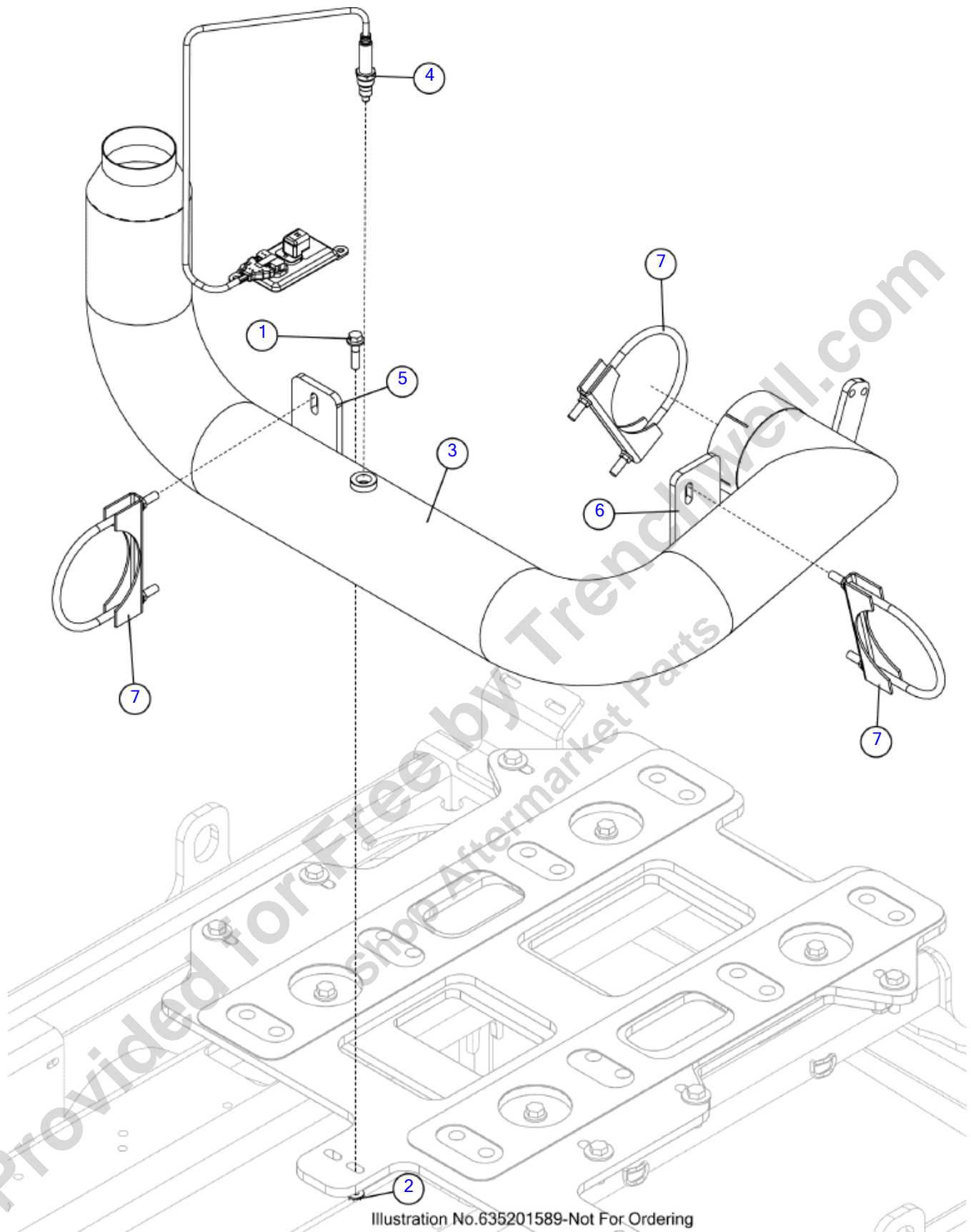


Illustration No.635201589-Not For Ordering

Exhaust Tube-Tier 4 Final

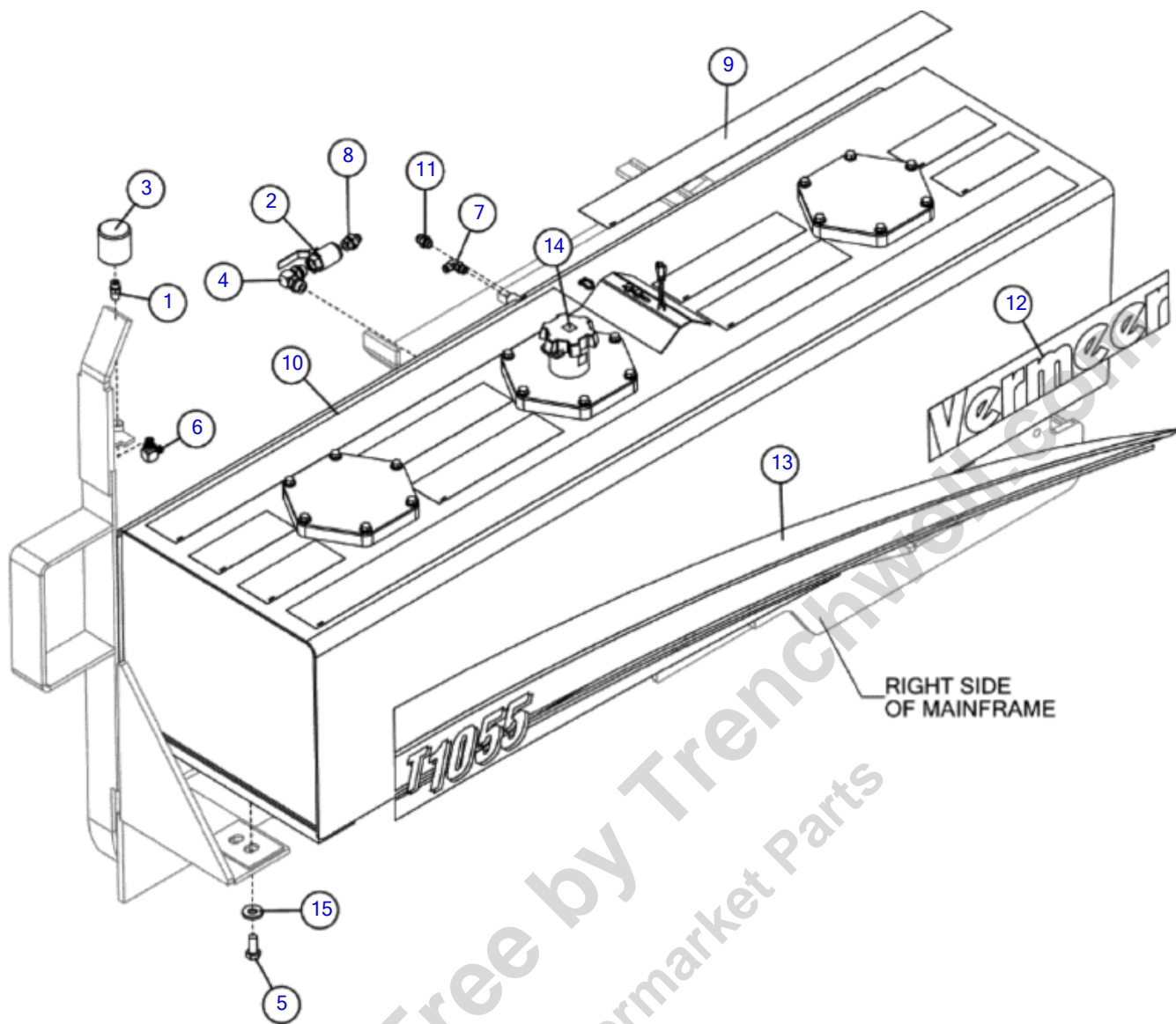
Fig 05-19

REF NO.	PART NO.	DESCRIPTION	QTY.	REMARKS
1	296300774	SCREW HFS .38 - 16 X 1.50 GR8	4	
2	296300850	NUT-HEXFLGTL-.38-16-G	4	
3	635201595	TUBE - EXHAUST C13 CAT T4	1	
4	296416526	NOX SENSOR-EXHAUST OUTLET	1	Comes With Engine
4	(635201676)	AFTM OUTLET NOX SENSOR CAT #351-9172	1	Comes With Engine
5	635201774	BRACKET	1	
6	635201775	BRACKET	1	
7	72024001	MUFFLER CLAMP, 5IN. ZINC	3	

Provided for Free by Trenchwell.com
Shop Aftermarket Parts

Fuel Tank (SN 550-572)

Fig 05-20



Fuel Tank (SN 550-572)

Fig 05-20

REF NO.	PART NO.	DESCRIPTION	QTY.	REMARKS
1	157822001	FITTING-STR-8MORB-8MNPT	1	
2	163649174	VALVE-#12 ORB BRASS BALL	1	
3	163682190	FILTER BREATHER-3 MICRON	1	Tier 4 Final
	108475001	FILTER BREATHER 1/2 NPT W/O RELIEF	A/R	Tier 3 (Includes Fitting)
	102618005	ELEMENT-FILTER	A/R	Tier 3
4	238219001	FITTING 12M X 12M O-RING 90	1	
5	243905001	SCREW HCS .75 10X1.75 GR8	1	
6	53832001	FITTING-1/2M PIPE-#8M JIC 90 DEG.	1	
7	53837001	FITTING - 8M O-RING X 8M JIC 90 DEGREE	1	
8	53854001	FITTING-12M O-RING-10M JIC ST.	1	
9	5776001	TAPE - SAFETY WALK 4in WIDE PER FOOT	11	
10	635502732	ENGINE & DRIVE-FUEL TANK COMPONENTS	1	Breakdown Fig.5-20T01
11	67850001	FITTING 8M X 10M JIC STR	1	
12	7000B059	DECAL - VERMEER 6"	1	
13	7000C966	DECAL-T1055 RIGHT SIDE STRIPE	1	
14	7000B627	DECAL- DIESEL	2	Tier 3, Domestic
	7000I098	DECAL-DIESEL FUEL	2	Tier 3, International
	7000F444	DECAL-DIESEL FUEL SPECIFICATION	2	Tier 4, Domestic
	700IF444	DECAL-DIESEL FUEL SPECIFICATION	2	Tier 4, International
15	91093001	WASHER-FLATHARD-.75-.81 X 1.88-.25	1	

Fuel Tank (SN 573-)

Fig 05-20R01

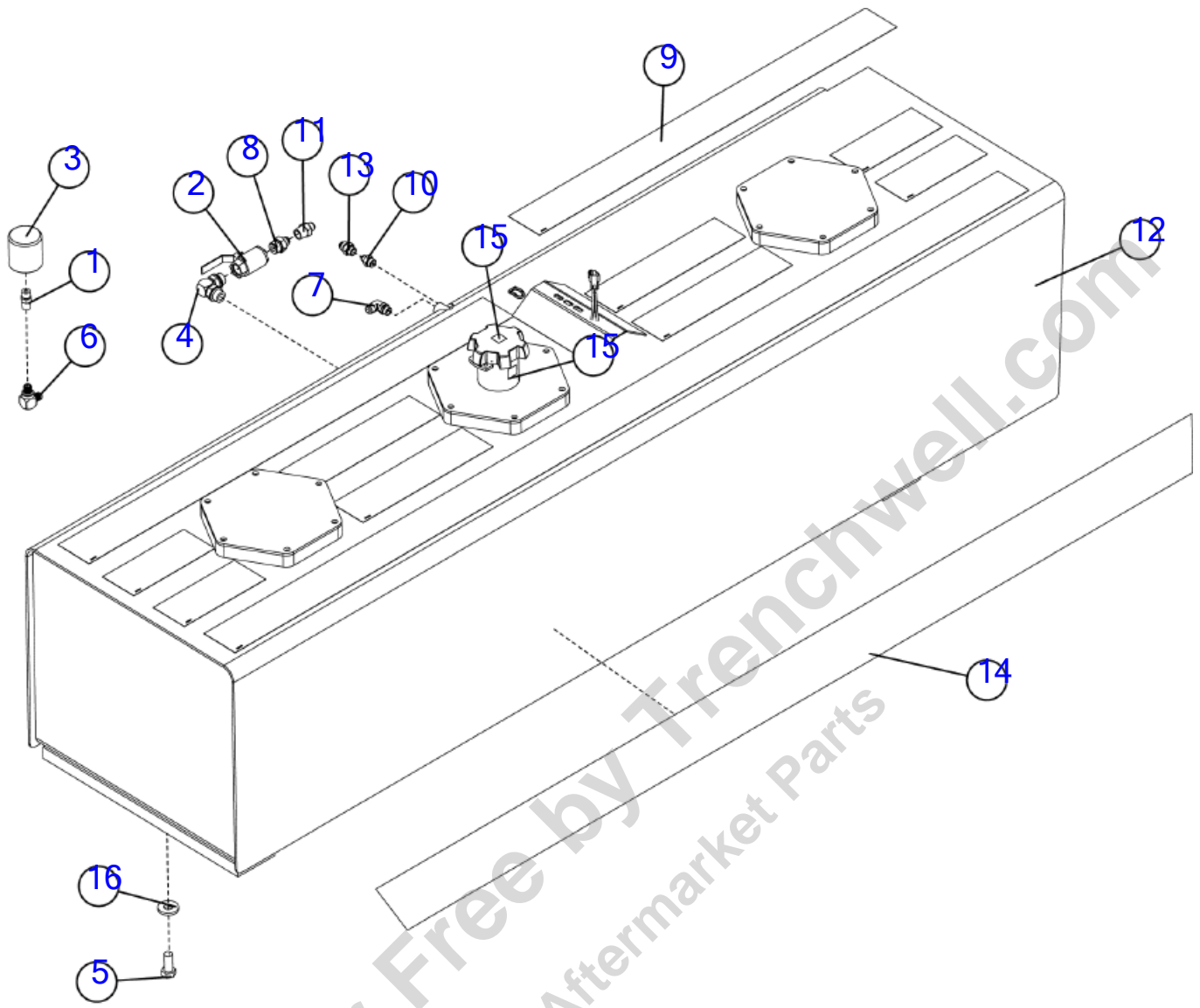


Illustration No.635502730 - Not For Ordering

Fuel Tank (SN 573-)

Fig 05-20R01

REF NO.	PART NO.	DESCRIPTION	QTY.	REMARKS
1	157822001	FITTING-STR-8MORB-8MNPT	1	
2	163649174	VALVE-#12 ORB BRASS BALL	1	
3	163682190	FILTER BREATHER-3 MICRON	1	
4	238219001	FITTING 12M X 12M O-RING 90	1	
5	243905001	SCREW HCS .75 10X1.75 GR8	6	
6	53832001	FITTING-1/2M PIPE-#8M JIC 90 DEG.	1	
7	53837001	FITTING - 8M O-RING X 8M JIC 90 DEGREE	1	
8	53854001	FITTING-12M O-RING-10M JIC ST.	1	Tier 4
9	5776001	TAPE - SAFETY WALK 4in WIDE PER FOOT	11	
10	60247001	FITTING - 8M O-RING X 6M JIC ST.	1	Tier 3
11	60828001	ADAPTER-3/4MX8M JIC STR	1	Tier 3
12	635502732	ENGINE & DRIVE-FUEL TANK COMPONENTS	1	Breakdown Fig. 5-20T01
13	67850001	FITTING 8M X 10M JIC STR	1	Tier 4
14	7000H609	DECAL-T1055 IMPACT STRIPE	1	
15	7000I098	DECAL-DIESEL FUEL	2	
16	91093001	WASHER-FLATHARD-.75-.81 X 1.88-.25	6	

Provided for Free by Trenchwell.com
Shop Aftermarket Parts

Breakdown-Fuel Tank

Fig 05-20T01

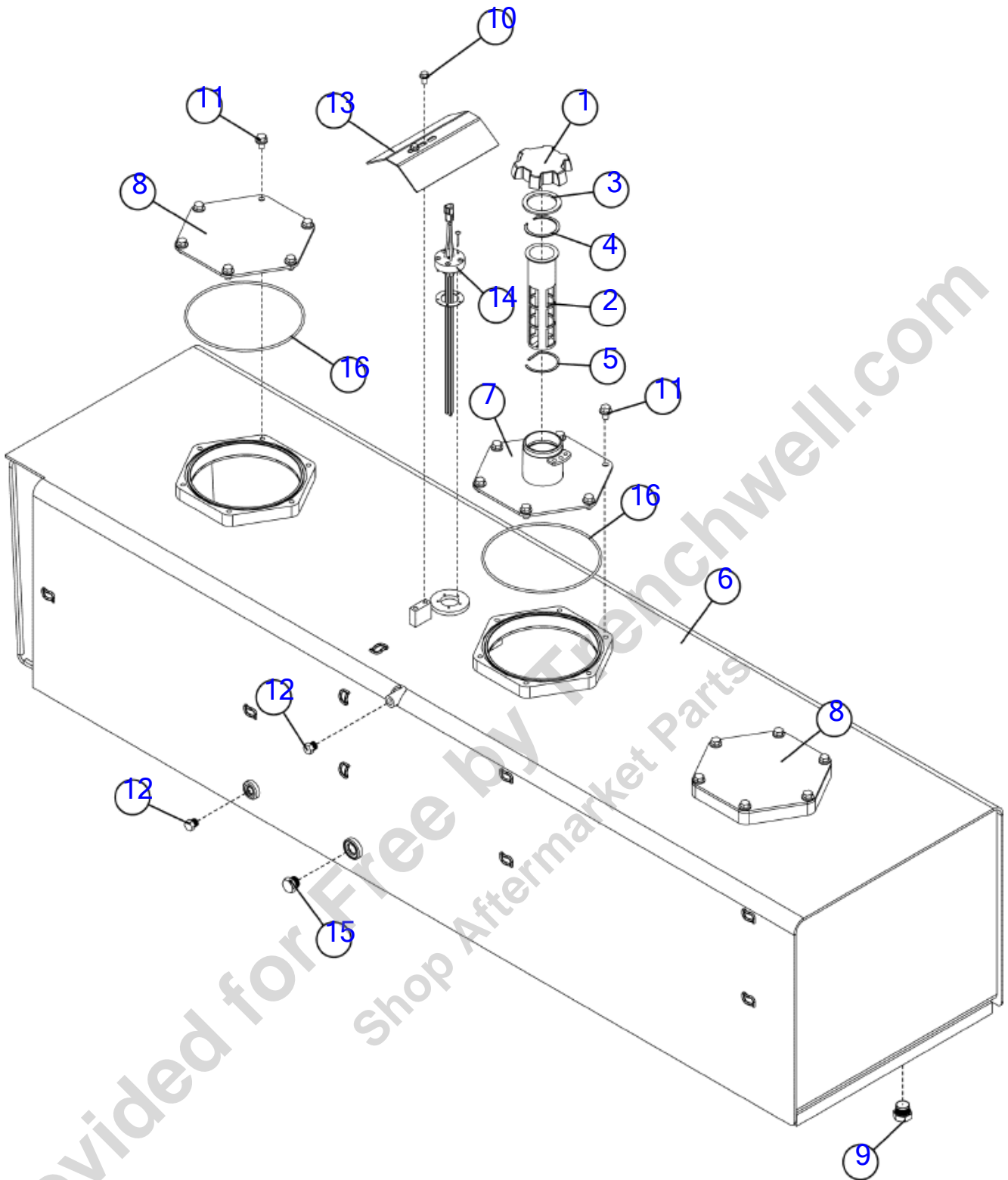


Illustration No.635502732 - Not For Ordering

Breakdown-Fuel Tank

Fig 05-20T01

REF NO.	PART NO.	DESCRIPTION	QTY.	REMARKS
1	106851001	CAP-FUEL	1	
2	111467001	STRAINER-FUEL	1	
3	111468001	GASKET	1	
4	111471001	SNAP RING-INTERNAL	1	
5	111472001	SNAP RING-INTERNAL	1	
6	608949001	FUEL TANK ASSEMBLY REPAIR	1	Not Sold Separately
6	(112994001)	RESERVOIR-FUEL	1	Not Sold Separately
7	112999001	COVER-FUEL FILL	1	
8	116931001	COVER - CLEANOUT	2	
9	117006001	FITTING-MAGNETIC PLUG 7674031	2	
10	296300771	SCREW-HFS-.38-16X.75GR8	2	
11	296300873	SCREW HFS .50 13X.75 GR8	18	
12	56218001	FITTING - PLUG - 8MORB - HEX	2	
13	618868001	SHIELD FUEL SENDER	1	
14	627432001	INTELLISENSOR 16.5in TANK LEVEL 24 VOLT	1	
	635207221	HARDWARE KIT-INTELLISENSOR	1	
	621042005	GASKET	1	
15	67570001	FITTING - PLUG - 12MORB - HEX	1	
16	78544001	ORING AS 378 B46	3	

Fuel lines-Tier 3
Fig 05-21

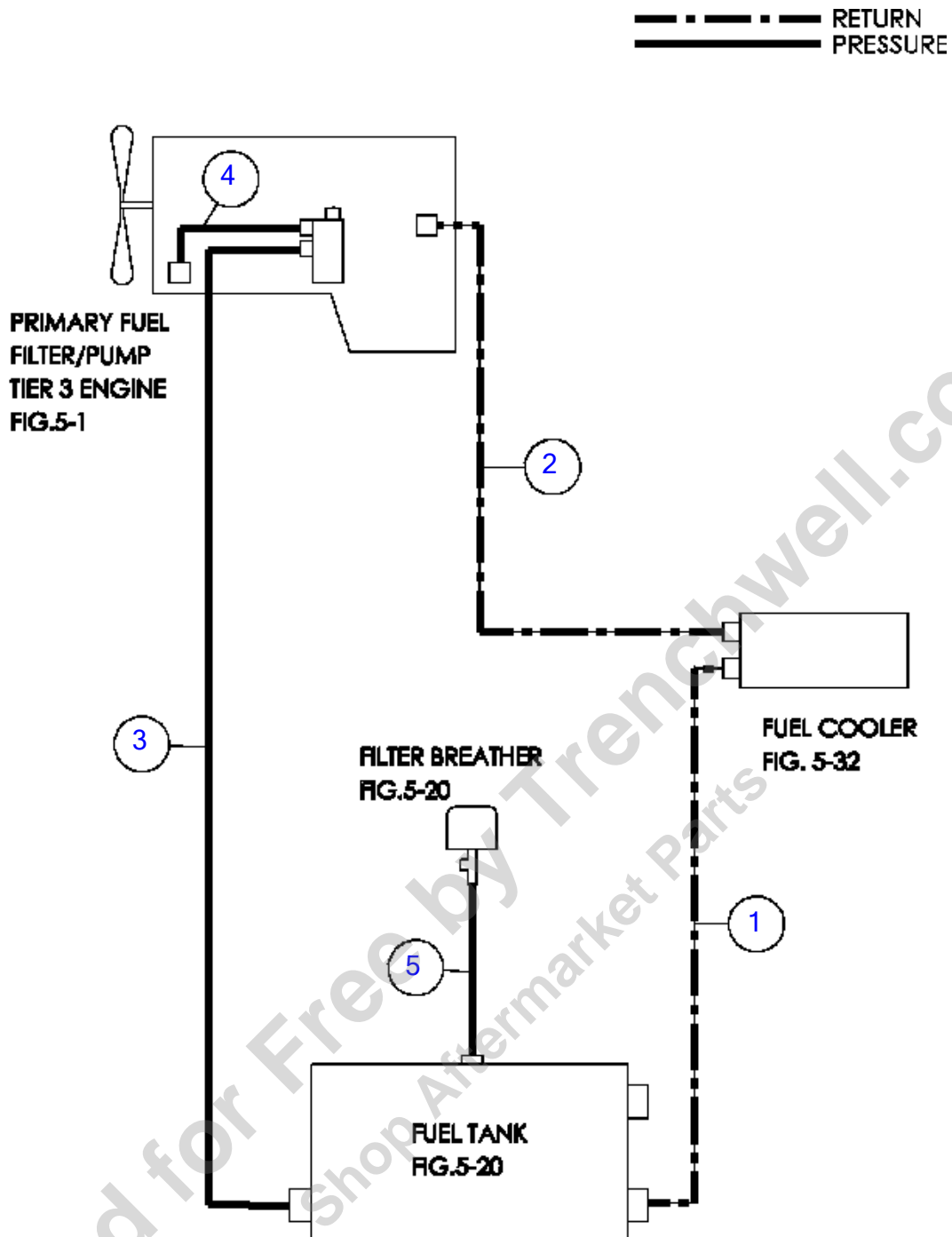


Illustration No: 635502777 - Not For Ordering

Fuel lines-Tier 3

Fig 05-21

REF NO.	PART NO.	DESCRIPTION	QTY.	REMARKS
1	57940002	HOSE - 3/8 X 185 - 6FS JIC 3000 PSI	1	
2	57940779	HOSE HYD .38X150 6FSJ ST/ST 3000PSI 100R	1	
3	53844263	HOSE-1/2X100 8FSJIC 3000 PSI	1	
4	53844219	HOSE-1/2X67 8FS JIC 3000 PSI	1	
5	53844255	HOSE-1/2X72 8FS JIC SAE-100R1	1	

Provided for Free by Trenchwell.com
Shop Aftermarket Parts

Fuel lines-Tier 4

Fig 05-22

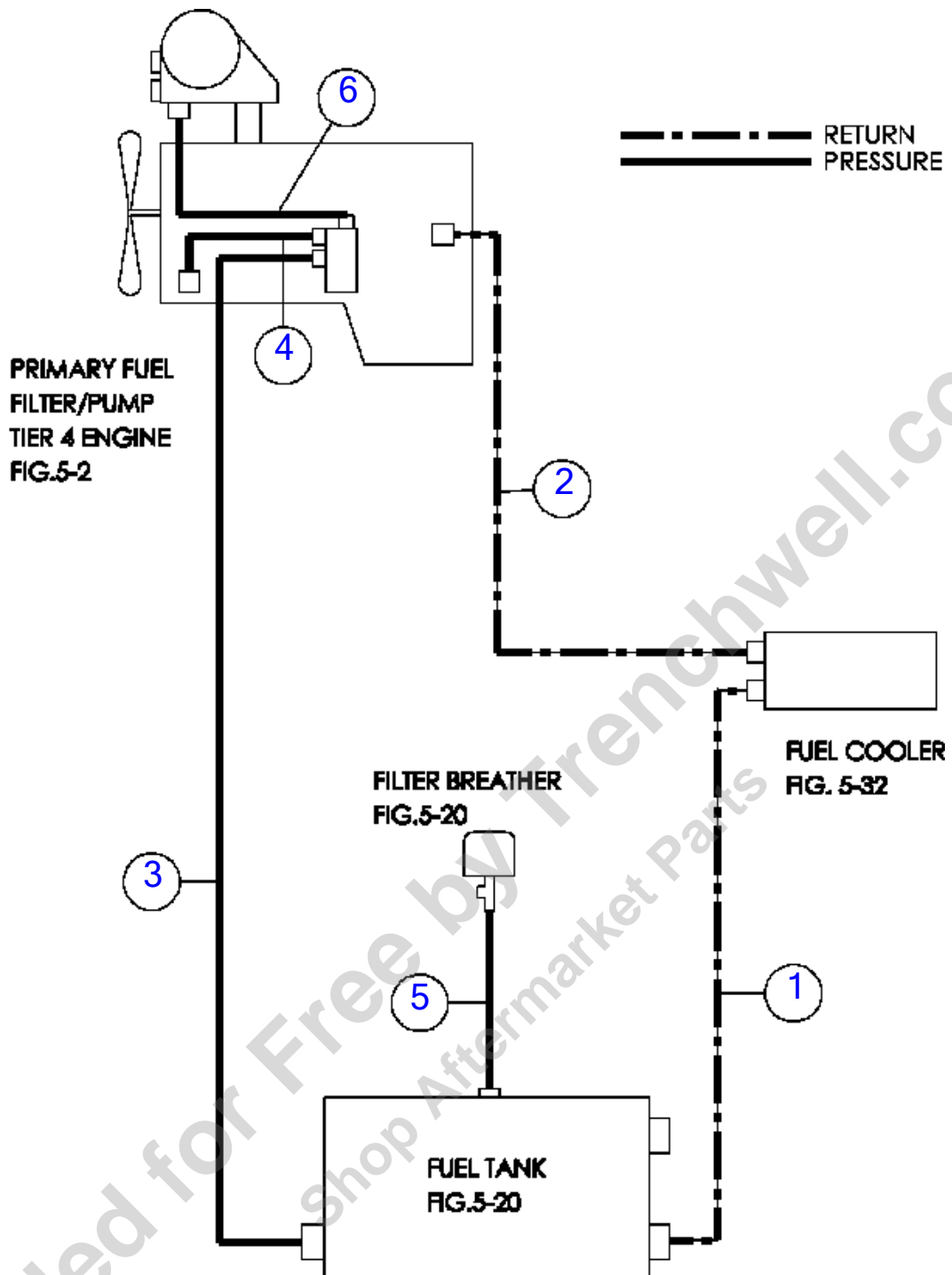


Illustration No: 635502741 - Not For Ordering

Fuel lines-Tier 4

Fig 05-22

REF NO.	PART NO.	DESCRIPTION	QTY.	REMARKS
1	635505086	HOSE-HYD-.63X188-10FSJ/10FSJ-3000PSI	1	
2	53842121	HOSE-5/8X153 10FS JIC 3000 PSI	1	
3	53842089	HOSE-5/8X90 10FS JIC 2750 PSI	1	
4	53842063	HOSE-5/8X32 10FS JIC (100R2)	1	
5	53844255	HOSE-1/2X72 8FS JIC SAE-100R1	1	
6	53844689	HOSE - 1/2 X 93 8 FS JIC 3000 PSI	1	

Provided for Free by Trenchwell.com
Shop Aftermarket Parts

Pump Drive Oil Cooler (SN 550-580)

Fig 05-23

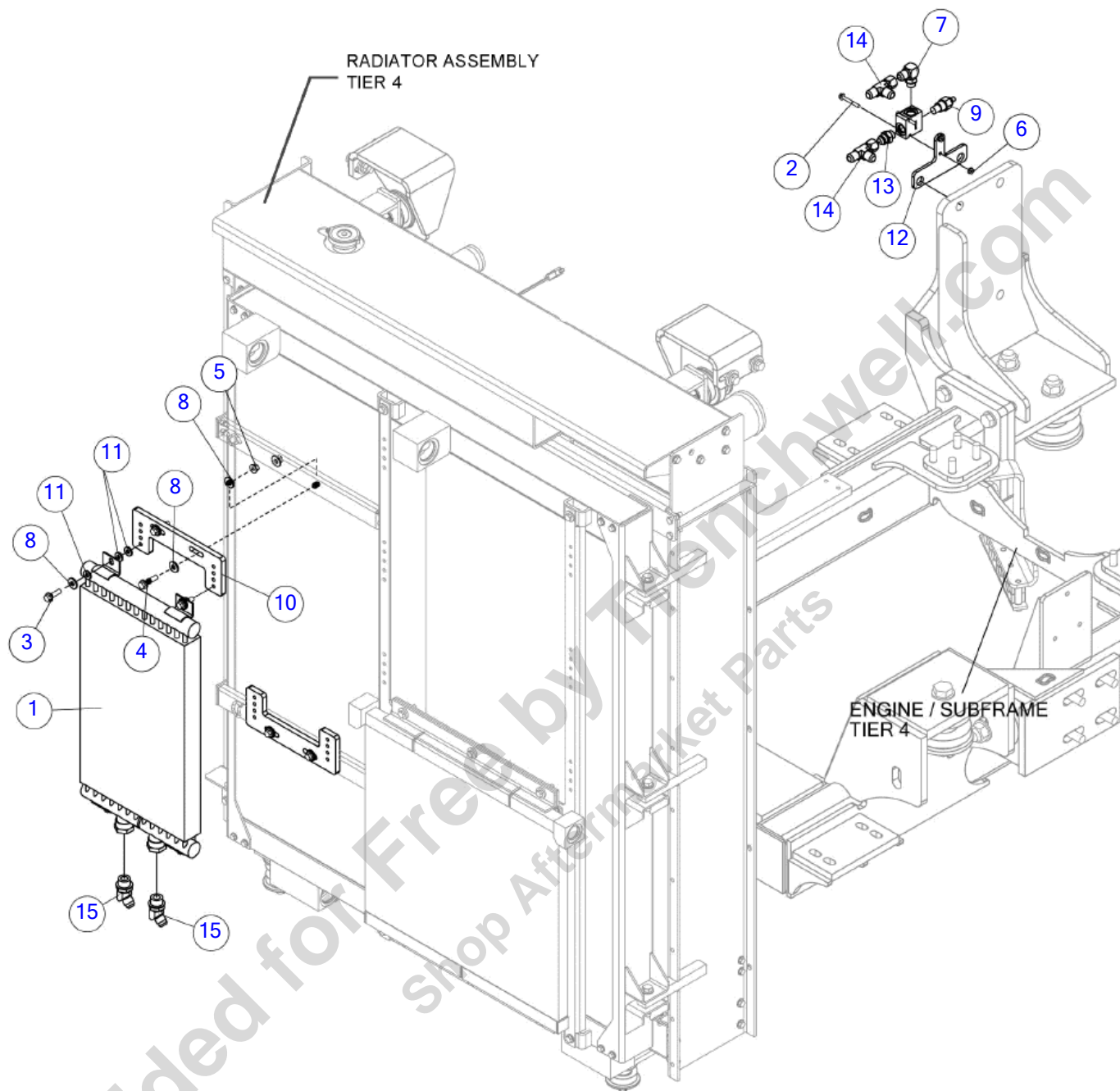


Illustration No.635201659-Not For Ordering

Pump Drive Oil Cooler (SN 550-580)

Fig 05-23

REF NO.	PART NO.	DESCRIPTION	QTY.	REMARKS
1	163683046	OIL COOLER	1	
2	296300758	SCREW-HFS-.25-20X2.00-GRI-YZ	2	
3	296300773	SCREW-HFS-.38-16X1.25-GR8	4	
4	296300774	SCREW HFS .38 - 16 X 1.50 GR8	4	
5	296300850	NUT-HEXFLGTL-.38-16-G	4	
6	510352505	NUT-SMFLGTL-.25-20-G	2	
7	53823001	FITTING-#8M O-RING-#10M JIC 90 DEG.	1	
8	613948001	WASHER- 3/8 X 1.00 O.D.	12	
9	631861209	VALVE-RELIEF	1	
10	635201657	PLATE-MOUNT	2	
11	635201658	RUBBER WASHER 3/8 X 13/16OD X 1/8 THK	12	
12	635202307	PLATE-PUMP DRIVE COOLER RELIEF VALVE	1	
13	67850001	FITTING 8M X 10M JIC STR	1	
14	71250001	FITTING-10M JIC(BCH)X10M JICX10FS JIC	2	
15	88659001	FITTING-12M ORINGX10MJIC 45DEG	2	

Provided for Free by Trenchwell.com
Shop Aftermarket Parts

Pump Drive Oil Cooler (SN 581-)

Fig 05-23R01

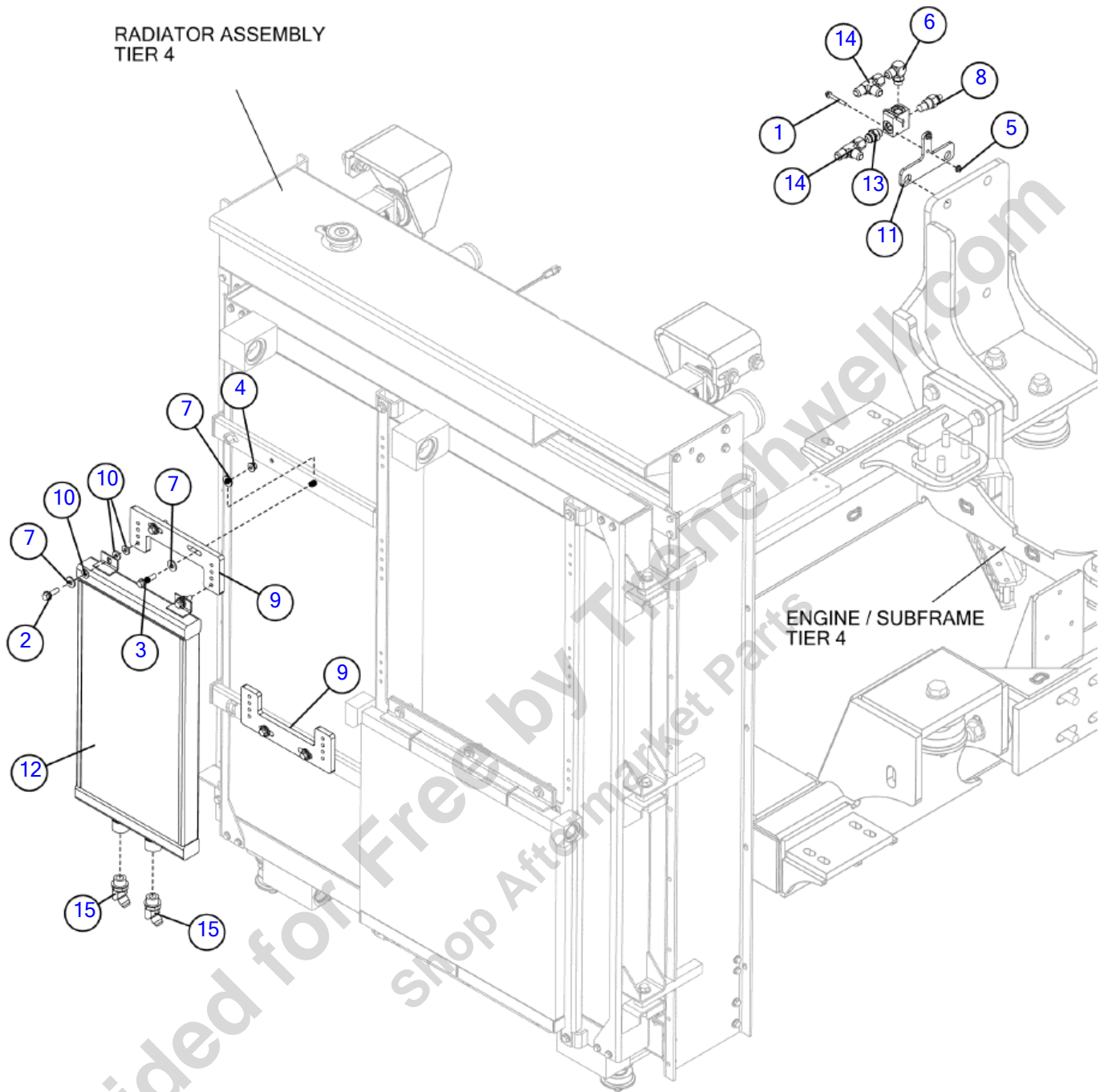


Illustration No. 635201659 - Not For Ordering

Pump Drive Oil Cooler (SN 581-)

Fig 05-23R01

REF NO.	PART NO.	DESCRIPTION	QTY.	REMARKS
1	296300758	SCREW-HFS-.25-20X2.00-GRI-YZ	2	
2	296300773	SCREW-HFS-.38-16X1.25-GR8	4	
3	296300774	SCREW HFS .38 - 16 X 1.50 GR8	4	
4	296300850	NUT-HEXFLGTL-.38-16-G	4	
5	510352505	NUT-SMFLGTL-.25-20-G	2	
6	53823001	FITTING-#8M O-RING-#10M JIC 90 DEG.	1	
7	613948001	WASHER- 3/8 X 1.00 O.D.	12	
8	631861209	VALVE-RELIEF	1	
9	635201657	PLATE-MOUNT	2	
10	635201658	RUBBER WASHER 3/8 X 13/16OD X 1/8 THK	12	
11	635202307	PLATE-PUMP DRIVE COOLER RELIEF VALVE	1	
12	635215529	OIL COOLER 25 X 13	1	
13	67850001	FITTING 8M X 10M JIC STR	1	
14	71250001	FITTING-10M JIC(BCH)X10M JICX10FS JIC	2	
15	88659001	FITTING-12M ORINGX10MJIC 45DEG	2	

Provided for Free by Trenchwell.com
Shop Aftermarket Parts

Hose Diagram-Pump Drive

Fig 05-24

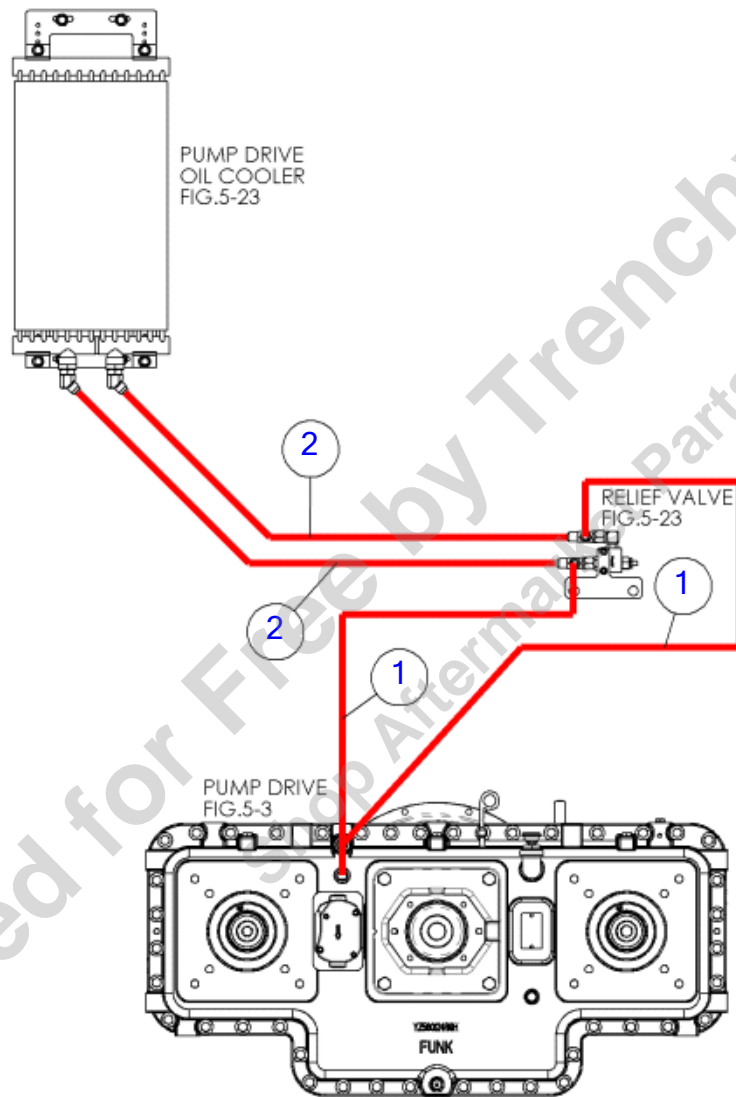


Illustration No: 635505087 - Not For Ordering

Hose Diagram-Pump Drive

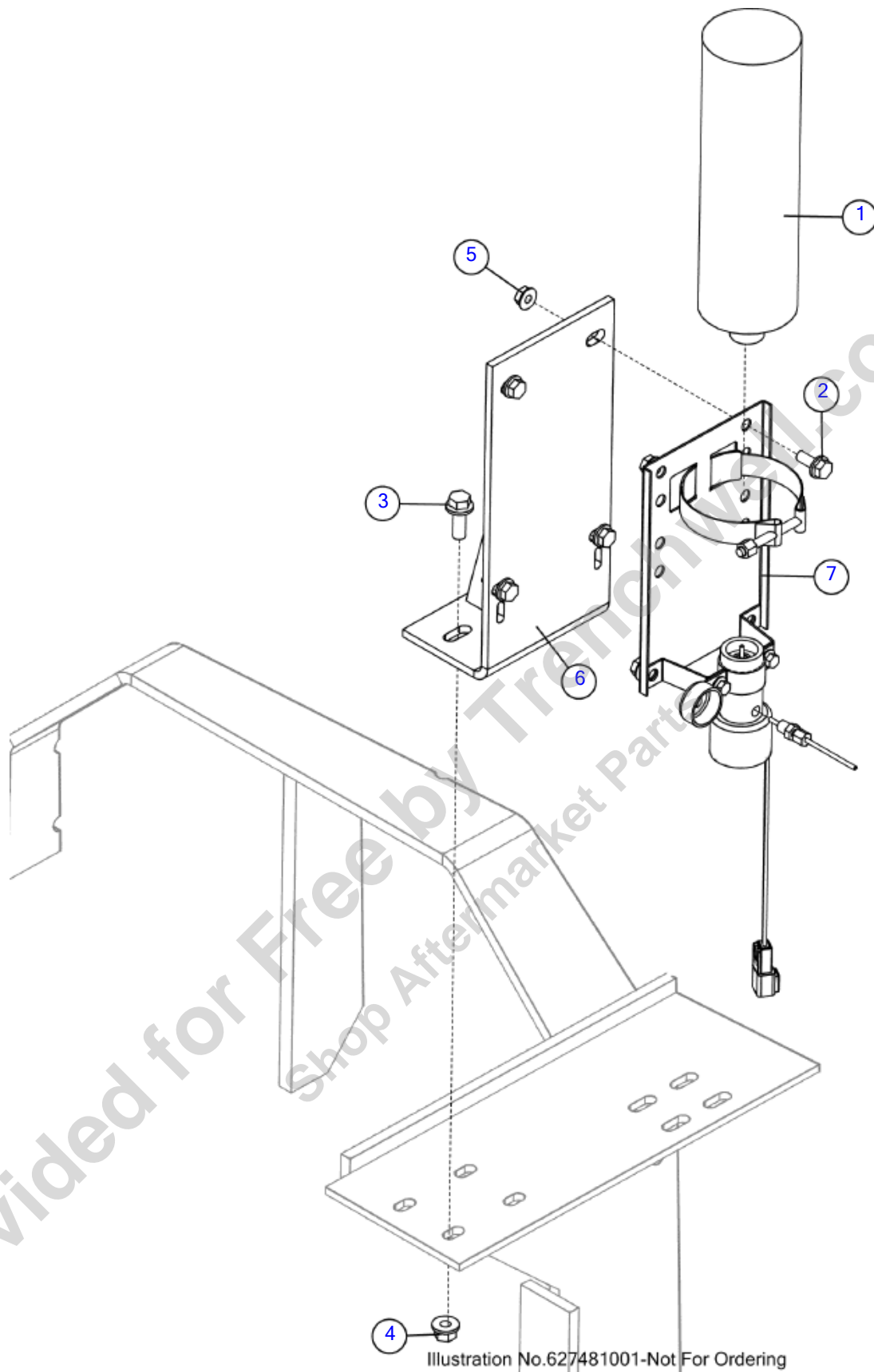
Fig 05-24

REF NO.	PART NO.	DESCRIPTION	QTY.	REMARKS
1	635505085	HOSE-HYD-.63X44-10FSJ/10FSJ-3000PSI	2	
2	635505086	HOSE-HYD-.63X188-10FSJ/10FSJ-3000PSI	2	

Provided for Free by Trenchwell.com
Shop Aftermarket Parts

Ether Kit-Tier 3

Fig 05-25



Ether Kit-Tier 3

Fig 05-25

REF NO.	PART NO.	DESCRIPTION	QTY.	REMARKS
1	223973001	CYLINDER-START FLUID 18 OZ.	1	
2	296300762	SCREW HFS .31 - 18 X .75 GR8	4	
3	296300772	SCREW HFS .38-16X1.00 GR8	2	
4	296300850	NUT-HEXFLGTL-.38-16-G	2	
5	510352507	NUT - SMFLGTL - .31- 18 - F	4	
6	626481001	MOUNT-ETHER COLD START AID	1	
7	627484001	ETHER KIT	1	
	627547001	CLAMP	1	

Provided for Free by Trenchwell.com
Shop Aftermarket Parts

Air Cooler/Aftertreatment Tubes-Tier 4 Final

Fig 05-26

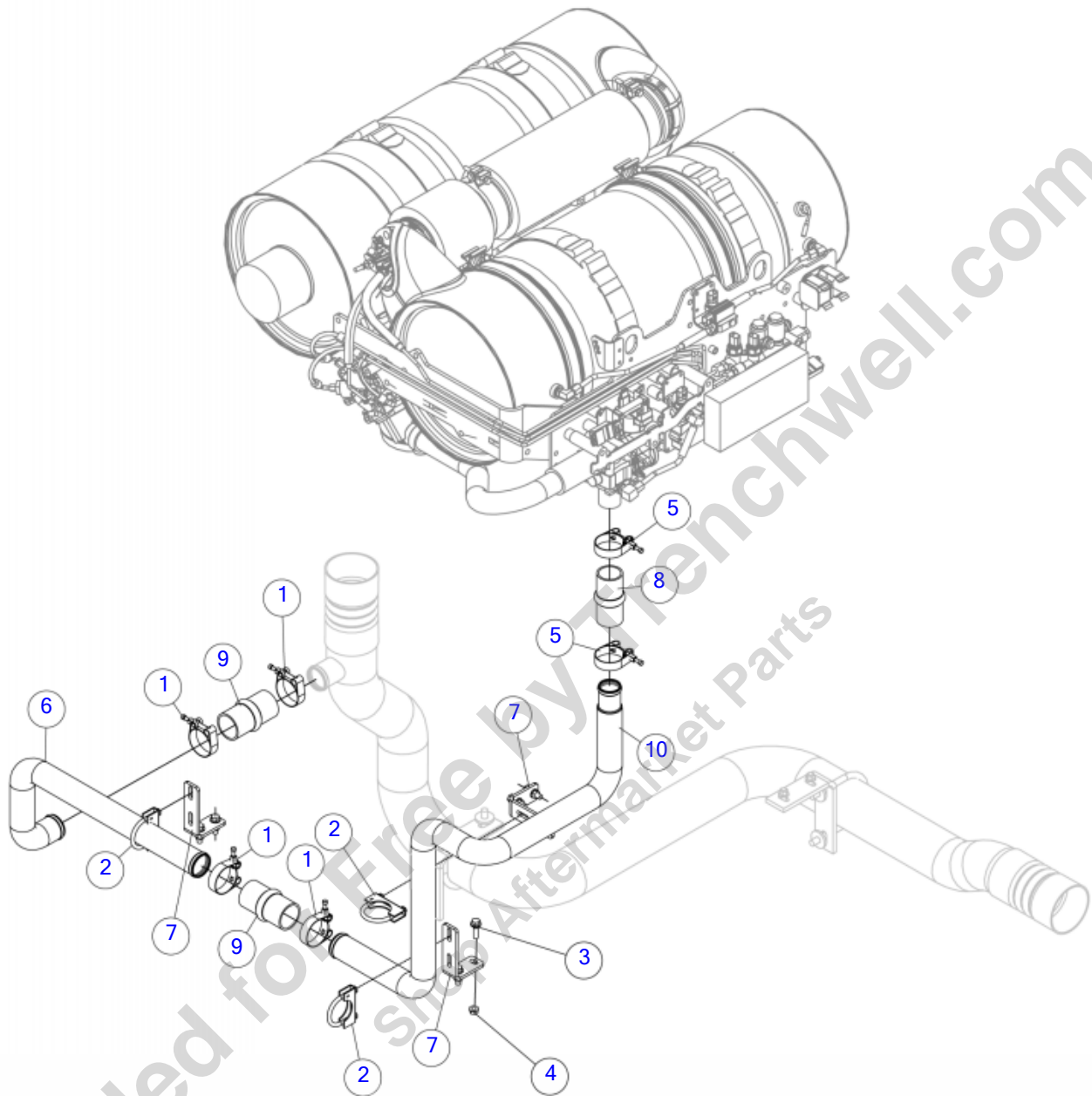


Illustration No.635201706-Not For Ordering

Air Cooler/Aftertreatment Tubes-Tier 4 Final

Fig 05-26

REF NO.	PART NO.	DESCRIPTION	QTY.	REMARKS
1	225872001	CLAMP 2in TBOLT	4	
2	2609005	MUFFLER CLAMP - 2"	3	
3	296300773	SCREW-HFS-.38-16X1.25-GR8	6	
4	296300895	NUT, HEXFLG-.38-16-GR8-YZ	6	
5	617745001	CLAMP-T-BOLT CON TORQUE 2.06-2.37	2	
6	633633001	TUBE-BOTTOM CCEM CONNECTION	1	
7	633634001	BRACKET-CCEM TUBE	3	
8	634294001	HOSE, SILICONE HUMP, 1.75 ID X 4.50 LONG	1	
9	634300001	HOSE, SILICONE HUMP, 2.00 ID X 4.50 LONG	2	
10	635201593	TUBE - TOP CCEM CONNECTION	1	

Provided for Free by Trenchwell.com
Shop Aftermarket Parts

Air Cooler Tubes-Tier 4 Final

Fig 05-27

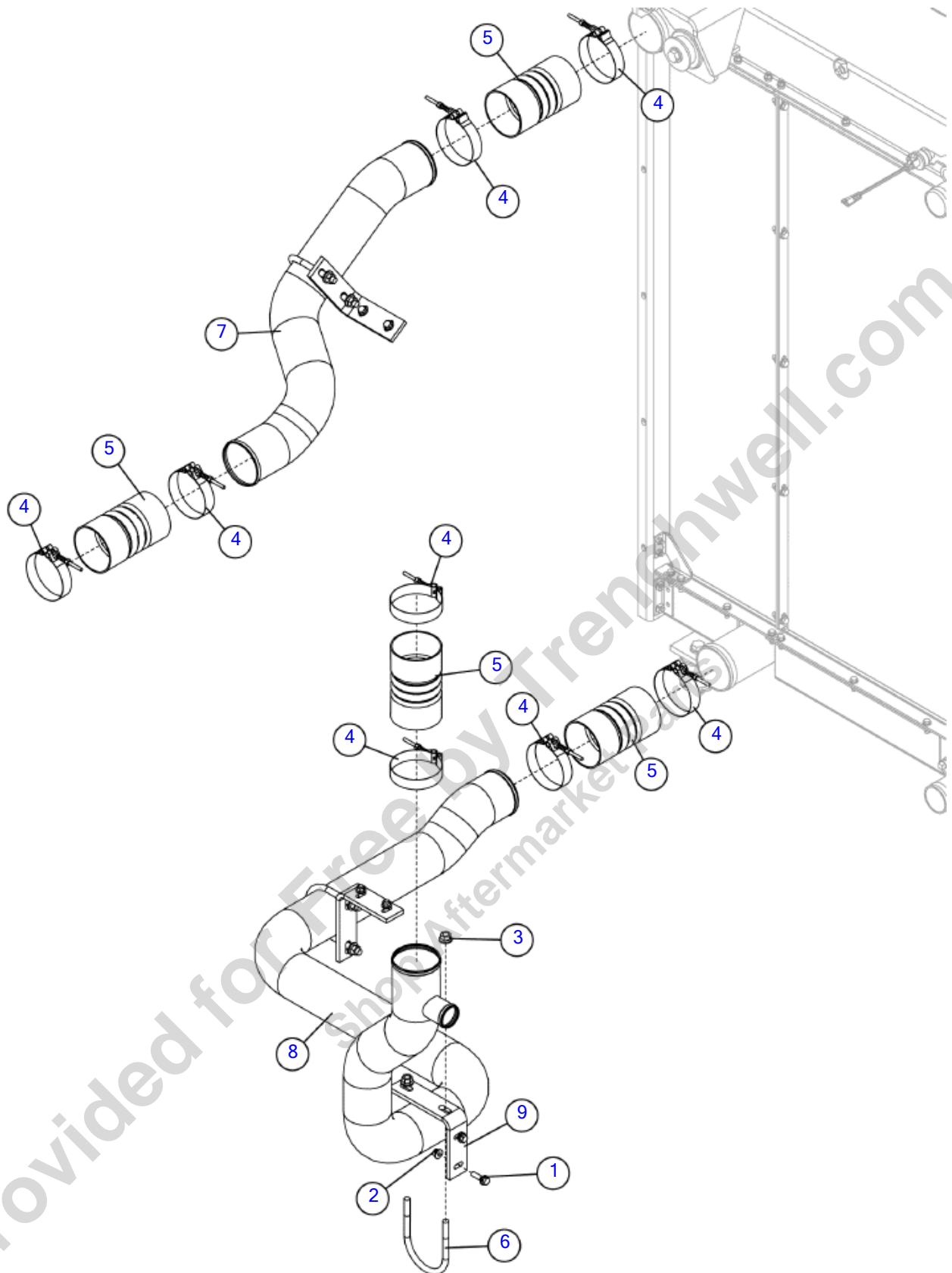


Illustration No.635039001-Not For Ordering

Air Cooler Tubes-Tier 4 Final

Fig 05-27

REF NO.	PART NO.	DESCRIPTION	QTY.	REMARKS
1	296300773	SCREW-HFS-.38-16X1.25-GR8	6	
2	296300850	NUT-HEXFLGTL-.38-16-G	6	
3	296300851	NUT-HEXFLGTL-.50-13-G	6	
4	621590001	CLAMP-4" SPRING LOADED T-BOLT	8	
5	624879001	HOSE-4X4X7 HUMP	4	
6	625738001	BOLT-U-.50-13X4.00-5.00-CZ	3	
7	633631001	TUBE-CAC TOP	1	
8	633632001	TUBE-CAC LOWER	1	
9	634263001	MOUNT-CAC TUBE	3	

Provided for Free by Trenchwell.com
Shop Aftermarket Parts

CAC Tubes-Tier 3

Fig 05-28

PAGE DELETED FROM MANUAL

Provided for Free by Fenchwell.com
Shop Aftermarket Parts

CAC Tubes-Tier 3

Fig 05-28

REF NO.	PART NO.	DESCRIPTION	QTY.	REMARKS
		Page Deleted From Manual Due To Being Duplicated	A/R	

Provided for Free by Trenchwell.com
Shop Aftermarket Parts

Ether Kit-Tier 4 final

Fig 05-29

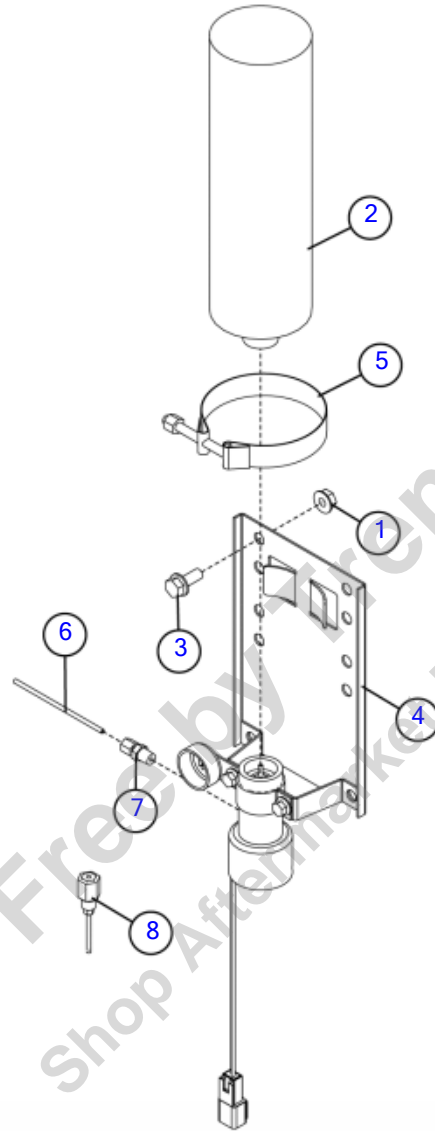


Illustration No. 635201721-Not For Ordering

Ether Kit-Tier 4 final

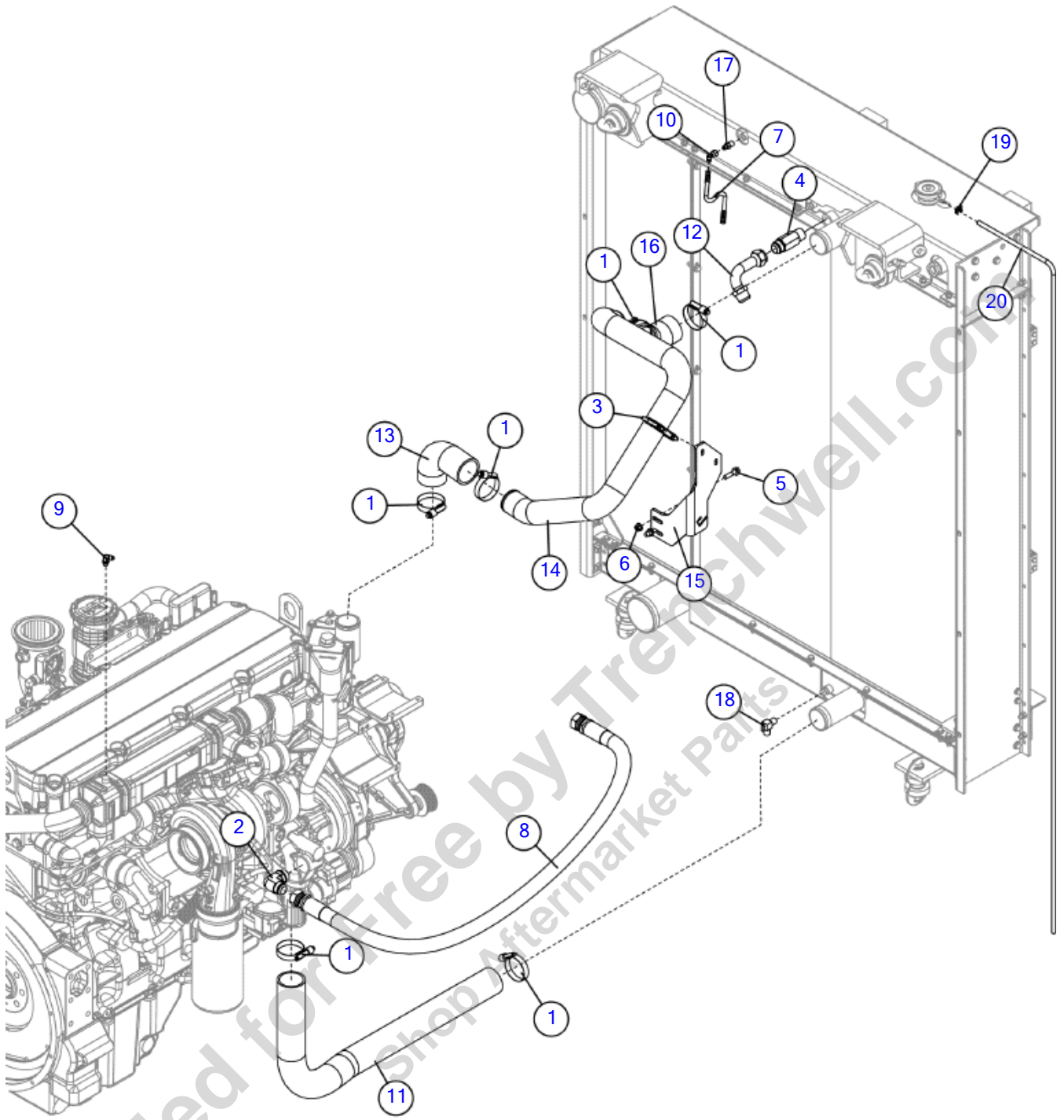
Fig 05-29

REF NO.	PART NO.	DESCRIPTION	QTY.	REMARKS
1	510352507	NUT - SMFLGTL - .31- 18 - F	4	
2	223973001	CYLINDER-START FLUID 18 OZ.	1	
3	296300762	SCREW HFS .31 - 18 X .75 GR8	4	
4	627484001	ETHER KIT	1	Includes Ref. #'s 5 thru 8
5	627547001	CLAMP	1	
6	627544001	TUBING-8FT NYLON	1	
7	628706001	CONTROL FITTING (.008 ORIFICE)	1	
8	628707001	ATOMIZER	1	

Provided for Free by Trenchwell.com
Shop Aftermarket Parts

Radiator Hoses & Fittings-Tier 4 Final

Fig 05-30



Radiator Hoses & Fittings-Tier 4 Final

Fig 05-30

REF NO.	PART NO.	DESCRIPTION	QTY.	REMARKS
1	124722001	HOSE CLAMP-CONSTANT TORQUE	6	
2	255074001	FITTING-14M ORING X 16M JIC 90	1	
3	2609007	MUFFLER CLAMP-2 1/2"	1	
4	284518001	FITTING - ADPT. 16 MJIC X 1 MNPT LONG	1	
5	4475014	BOLT-3/8-16X1 1/2 FLANGE WHIZ	2	
6	4536001	NUT - 3/8-16 FLG. WHIZ LOCK	2	
7	53843489	HOSE - HYD .25X100 4FSJ ST/ST 3000PSI 100R	1	
8	53846481	HOSE-1X64 G4H 16FSJICX2 200PSI	1	
9	59423001	FITTING-90-4MORBA-4MJ	1	
10	61498001	FITTING-4 JIC M X 4 JIC FS 45	1	
11	615398001	HOSE - RADIATOR 2.5 ID-44.00	1	
12	61704001	FITT.-16M JICX16FS JIC 90 LONG	1	
13	633636001	ELBOW-RADIATOR LOWER	1	
14	635201709	TUBE - RADIATOR TOP	1	
15	635201712	SUPPORT-TUBE	1	
16	635201866	2.5" ID 45 DEGREE HOSE ELBOW	1	
17	67849001	FITTING-1/4 M X 4M JIC ST.	1	
18	82633001	FITTING-HEATER SHUT-OFF	1	
19	1578001	HOSE CLAMP - WORM GEAR - 1/4" - 5/8"	1	
20	296417360	HOSE-WATER -.31 X 95.0	1	

Provided for Free by Trenchwell.com
Shop Aftermarket Parts

Fuel Cooler Fittings-Tier 3

Fig 05-31

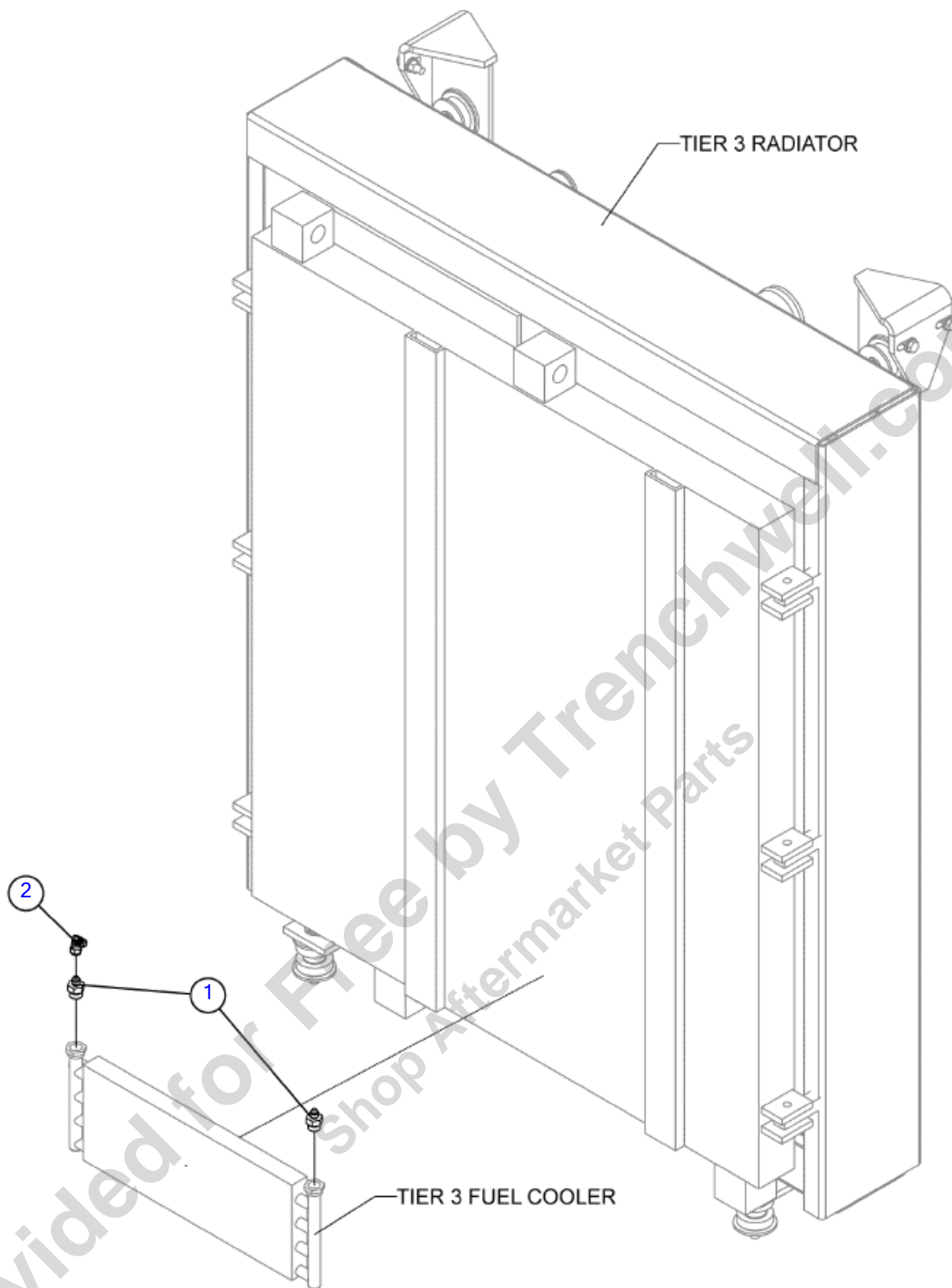


Illustration No.635202356-Not For Ordering

Fuel Cooler Fittings-Tier 3

Fig 05-31

REF NO.	PART NO.	DESCRIPTION	QTY.	REMARKS
1	57946001	FITTING-10MX#6JIC ST ADAPTER	2	
2	60851001	FITTING-6M JICX6FS JIC 90ELBOW	1	

Provided for Free by Trenchwell.com
Shop Aftermarket Parts

Fuel Cooler Fittings-Tier 4 Final

Fig 05-32

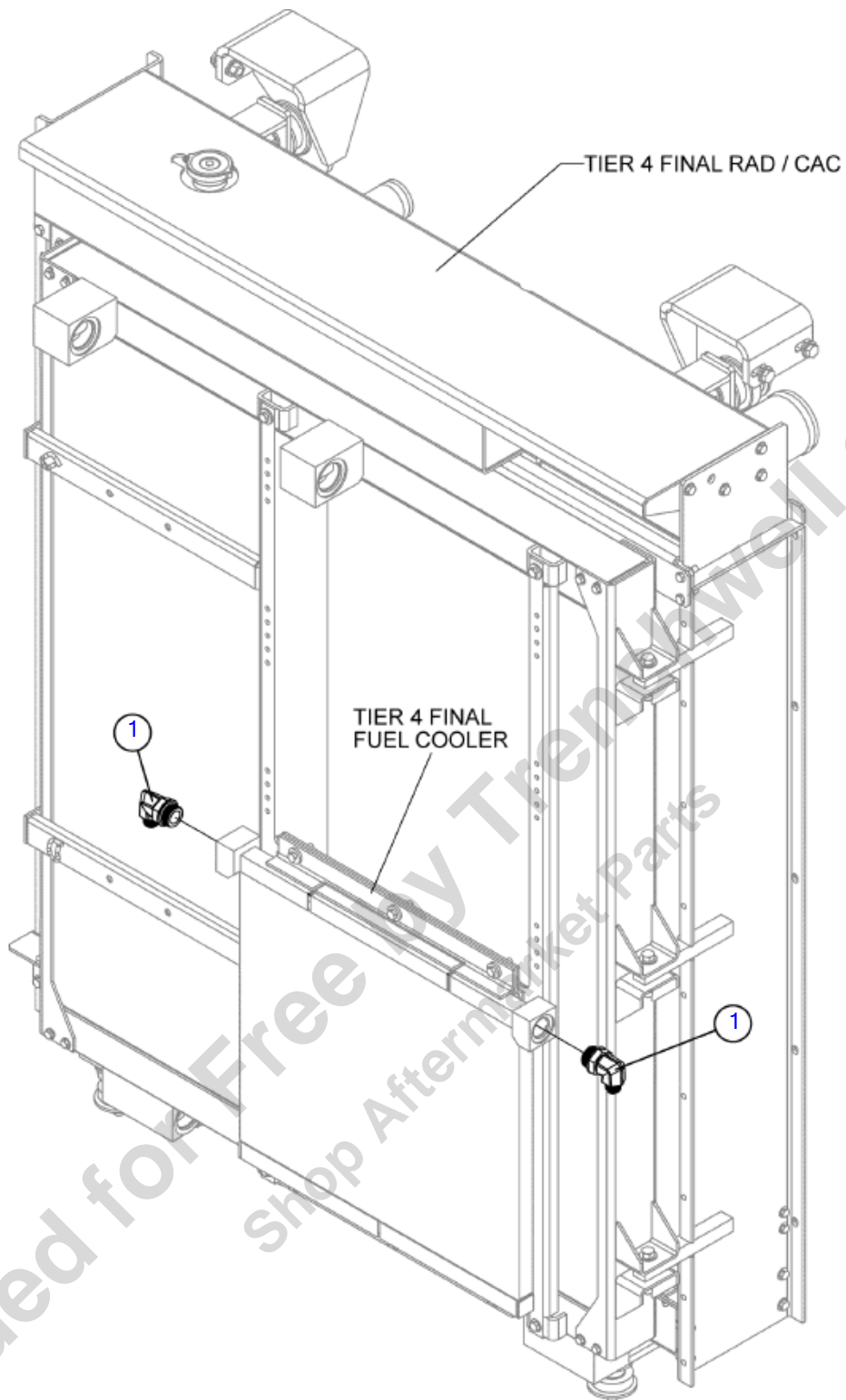


Illustration No.635202355-Not For Ordering

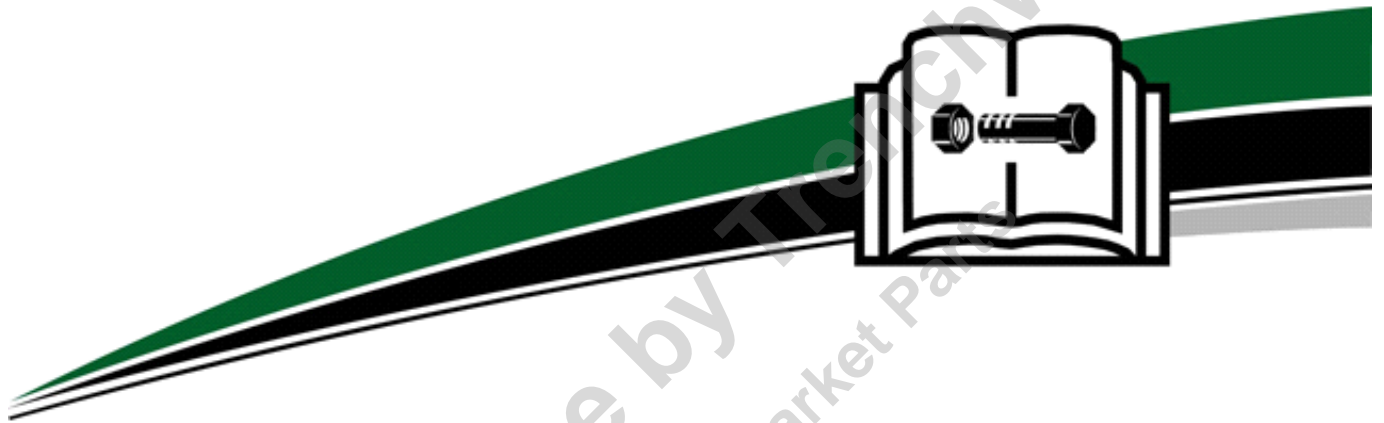
Fuel Cooler Fittings-Tier 4 Final

Fig 05-32

REF NO.	PART NO.	DESCRIPTION	QTY.	REMARKS
1	78064001	FITTING-16MX10M JIC 90 DEG.	2	

Provided for Free by Trenchwell.com
Shop Aftermarket Parts

Hydraulics



Provided for Free by TractorParts.com
Shop Aftermarket Parts

Hydraulics

Hose Diagram-Tier 3 Ground Drive	Fig	06-01
Hose Diagram-Tier 4 Final Ground Drive	Fig	06-02
Hose Diagram-Implement	Fig	06-03
Hose Diagram-Tier 3 Flushing	Fig	06-04
Hose Diagram-Tier 4 Flushing	Fig	06-05
Hose Diagram-Tier 3 Attachment Drive	Fig	06-06
Hose Diagram-Tier 4 Final Attachment Drive	Fig	06-07
Hydraulic Oil Tank (SN 550-572)	Fig	06-08
Hydraulic Oil Tank (SN 573-)	Fig	06-08R01
Breakdown-Hydraulic Oil Tank (SN 550-560)	Fig	06-08T01
Breakdown-Hydraulic Oil Tank (SN 561-)	Fig	06-08T01R01
Hydraulic Oil Tank Plumbing	Fig	06-09
Attachment Drive Pumps-180cc	Fig	06-10
Breakdown-Attachment Pump	Fig	06-10T01
Ground Drive Pumps-75cc	Fig	06-11
Breakdown-Ground Drive Pump	Fig	06-11T01
Implement Pump	Fig	06-12
Flushing Pump	Fig	06-13
Ground Drive Motor (SN 550-575)	Fig	06-14
Ground Drive Motor (SN 576-)	Fig	06-14R01
Breakdown-Ground Drive Motor	Fig	06-14T01
Remote Hydraulic Filter-Tier 3	Fig	06-15
Remote Hydraulic Filter-Tier 4 Final (SN 550-560)	Fig	06-16
Remote Hydraulic Filter-Tier 4 (SN 561-)	Fig	06-16R01
Breakdown-Filter (SN 261-)	Fig	06-16T01
Auxiliary Lock Valve	Fig	06-17
Two-Speed Brake Valve	Fig	06-18
Control Valve	Fig	06-19
Breakdown-8 Spool Control Valve	Fig	06-19T01
Attachment Manifold	Fig	06-20
Hydraulic Manifold-Tier 3	Fig	06-21
Hydraulic Manifold-Tier 4	Fig	06-21X01
Oil Cooler-Tier 3	Fig	06-22
Oil Cooler-Tier 4 Final	Fig	06-23
Cylinder-Boom Lift (SN 550-574)	Fig	06-24
Breakdown-Boom Lift Cylinder (SN 550-574)	Fig	06-24T01
Cylinder-Boom Lift (SN 575-576)	Fig	06-24R01
Cylinder-Boom Lift (SN 577-)	Fig	06-24R02
Breakdown-Boom Lift Cylinder (SN 575-)	Fig	06-24T01R01
Cab Lift Cylinder (SN 550-572)	Fig	06-25
Cab Lift Cylinder (SN 573-)	Fig	06-25R01
Breakdown - Cab Lift Cylinder (SN 573-)	Fig	06-25T01
Breakdown - Cylinder (SN 573-)	Fig	06-25T02
Diagnostic Pressure Check	Fig	06-26
Accumulator	Fig	06-27
Breakdown-Accumulator	Fig	06-27T01
Accumulator Charging Kit	Fig	06-28
Track Cylinder / Tension Valve	Fig	06-29

Hose Diagram-Tier 3 Ground Drive

Fig 06-01

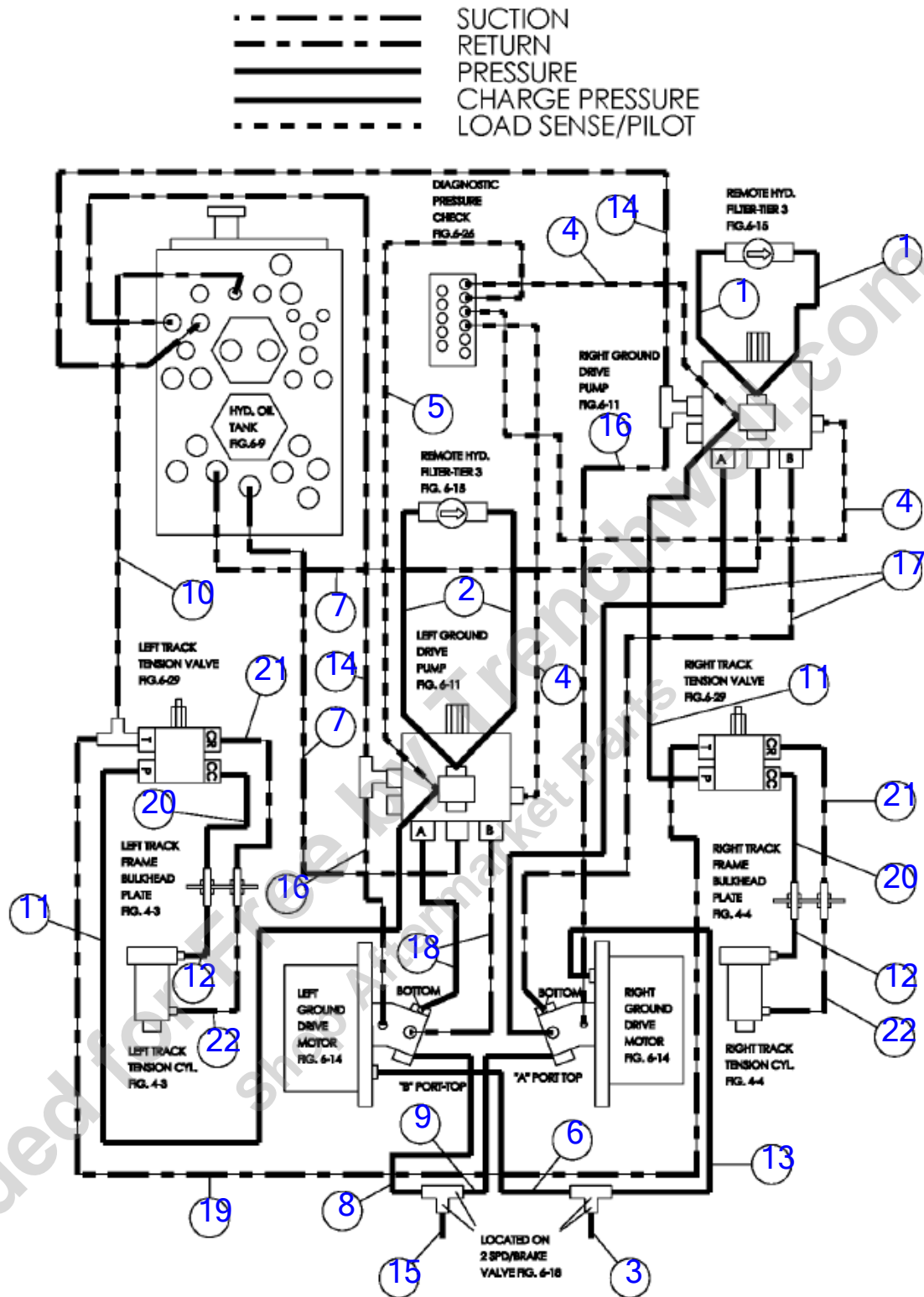


ILLUSTRATION NO. 635505076-Not For Ordering

Hose Diagram-Tier 3 Ground Drive

Fig 06-01

REF NO.	PART NO.	DESCRIPTION	QTY.	REMARKS
1	53842115	HOSE-5/8X68 10FS JIC 1500 PSI	2	
2	53842235	HOSE-5/8X56 10FS JIC SAE-100R1	2	
3	296527009	HOSE-HYD-.25X84-4FSJ/4FSJ-3000PSI	1	
4	292544001	HOSE-HYD-.25X58-4FSORFF/4FSORFF-6000PSI-100R15	3	
5	53843119	HOSE-HYD-.25X74-4FSJ/4FSJ-3000PSI-100R1	1	
6	53843147	HOSE 1/4 X 186 4FS JIC 3000PSI	1	
7	296527177	HOSE-SUCTION-1.00X64-16FSJ/16FSJ	2	
8	296527161	HOSE-HYD-.38X188-6FSJ/6FSJ	1	
9	296527162	HOSE-HYD-.38X214-6FSJ/6FSJ	1	
10	296527084	HOSE-HYD-.63X62-10FSJ/10FSJ-3000PSI	1	
11	296527159	HOSE-HYD-.38X33-6FSJ/6FSJ	2	
12	163649331	HOSE-HYD-.38X13-6FSORFF-ST/ST-5100 PSI	2	
13	296527156	HOSE-HYD-.25X212-4FSJ/4FSJ	1	
14	296527169	HOSE-HYD-.75X53-12FSJ/12FSJ	2	
15	296527019	HOSE-HYD-.38X84-6FSJ/6FSJ-2600PSI	1	
16	635505084	HOSE-HYD-.75X200-12FSJ/12FSJ-3000PSI	2	
17	124216001	HOSE-1X174 16/62/ST 16/62/90	2	
18	124217001	HOSE-1X187 16/62/ST 16/62/90	2	
19	296527160	HOSE-HYD-.38X46-6FSJ/6FSJ	1	
20	163706562	HOSE-HYD-.38X37-6FSORFF-45/STR-5100PSI-R16	2	
21	53843329	HOSE-HYD-.25X34-4FSJ/4FSJ-3000PSI-100R17	2	
22	262037001	HOSE-HYD-.25X12-4FSJ-ST/ST-3000PSI-100R16-M3KMTF	2	

Hose Diagram-Tier 4 Final Ground Drive

Fig 06-02

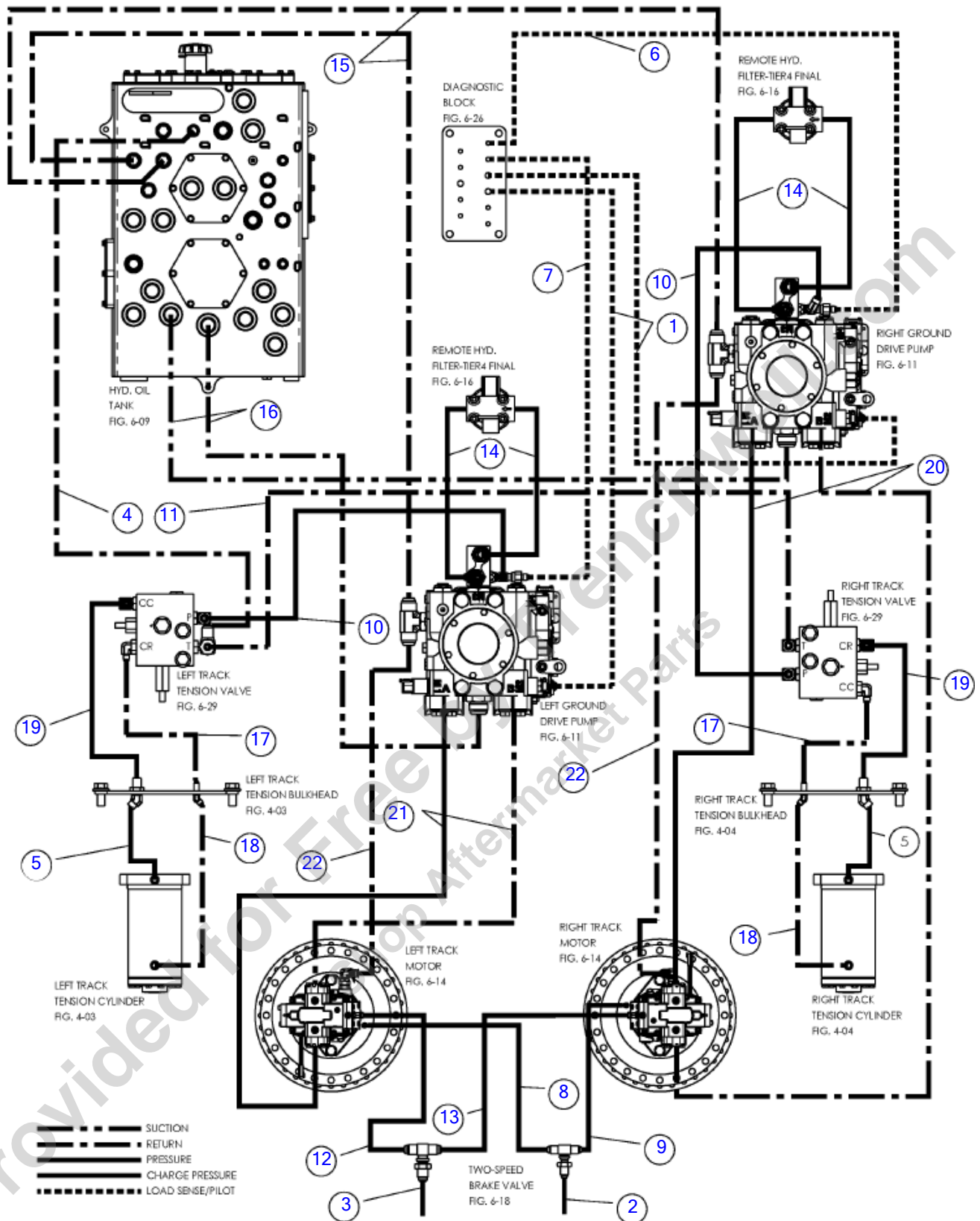


Illustration No. 635505077-Not For Ordering

Hose Diagram-Tier 4 Final Ground Drive

Fig 06-02

REF NO.	PART NO.	DESCRIPTION	QTY.	REMARKS
1	292544001	HOSE-HYD-.25X58-4FSORFF/4FSORFF-6000PSI-100R15	2	
2	296527009	HOSE-HYD-.25X84-4FSJ/4FSJ-3000PSI	1	
3	296527019	HOSE-HYD-.38X84-6FSJ/6FSJ-2600PSI	1	
4	296527084	HOSE-HYD-.63X62-10FSJ/10FSJ-3000PSI	1	
5	296527143	HOSE-HYD-.38X12-6FSJ/6FSJ	2	
6	296527147	HOSE-HYD-.25X58-4FSJ/4FSJ	1	
7	296527149	HOSE-HYD-.25X74-4FSJ/4FSJ	1	
8	296527154	HOSE-HYD-.25X186-4FSJ/4FSJ	1	
9	296527156	HOSE-HYD-.25X212-4FSJ/4FSJ	1	
10	296527159	HOSE-HYD-.38X33-6FSJ/6FSJ	2	
11	296527160	HOSE-HYD-.38X46-6FSJ/6FSJ	1	
12	296527161	HOSE-HYD-.38X188-6FSJ/6FSJ	1	
13	296527162	HOSE-HYD-.38X214-6FSJ/6FSJ	1	
14	296527166	HOSE-HYD-.63X56-10FSJ/10FSJ	4	
15	296527169	HOSE-HYD-.75X53-12FSJ/12FSJ	2	
16	296527177	HOSE-SUCTION-1.00X64-16FSJ/16FSJ	2	
17	53843329	HOSE-HYD-.25X34-4FSJ/4FSJ-3000PSI-100R17	2	
18	635505080	HOSE-HYD-.25X12-4FSJ/4FSJ-3000PSI	2	
19	635505081	HOSE-HYD-.38X33-6FORFF/6FORFF-5100PSI	2	
20	635505082	HOSE-HYD-2.00X174-16CD62/16CD6290	2	
21	635505083	HOSE-HYD-1.00X187-16CD62/16CD6290	2	
22	635505084	HOSE-HYD-.75X200-12FSJ/12FSJ-3000PSI	2	

Hose Diagram-Implement

Fig 06-03

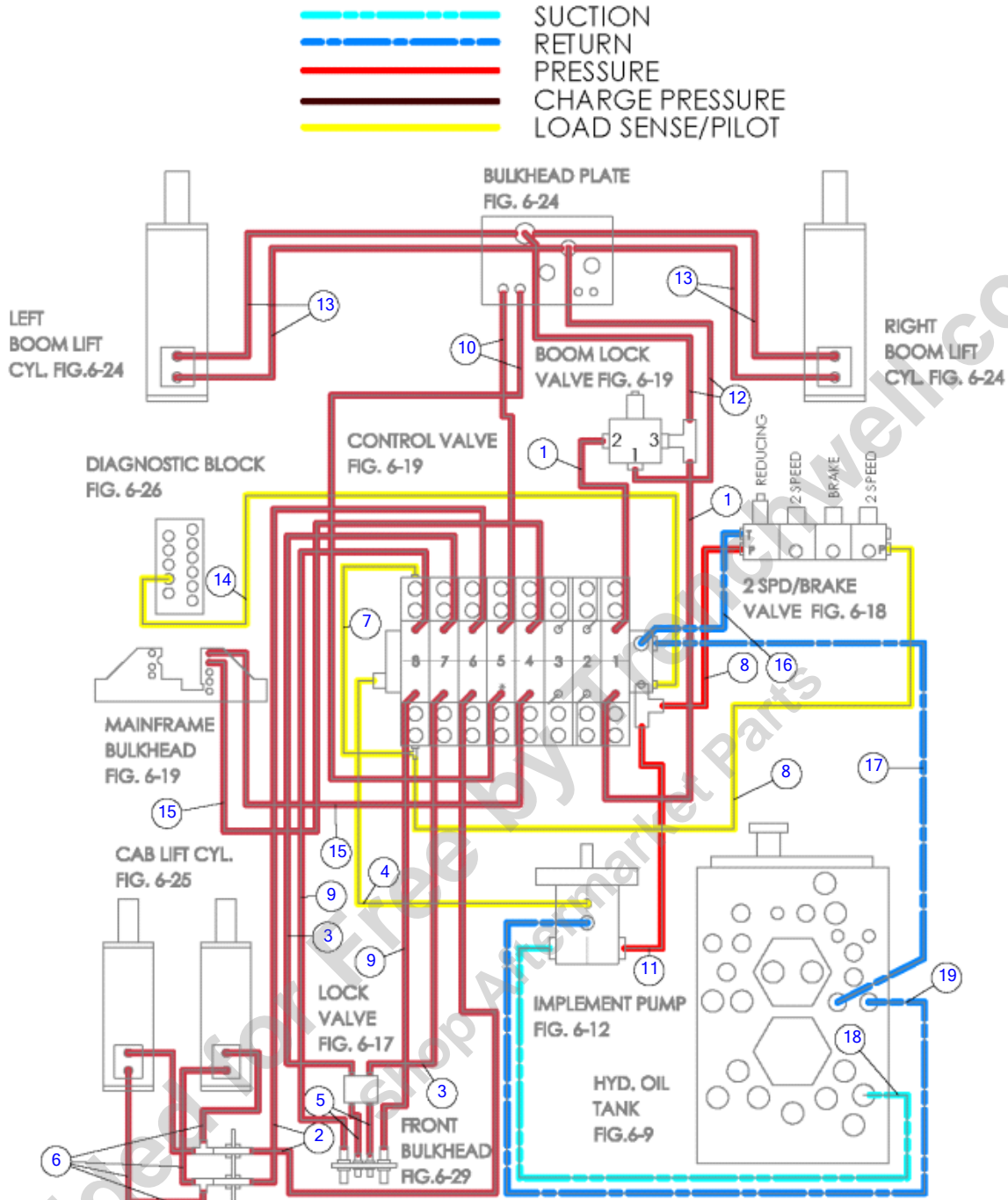


Illustration No.635505067-Not For Ordering

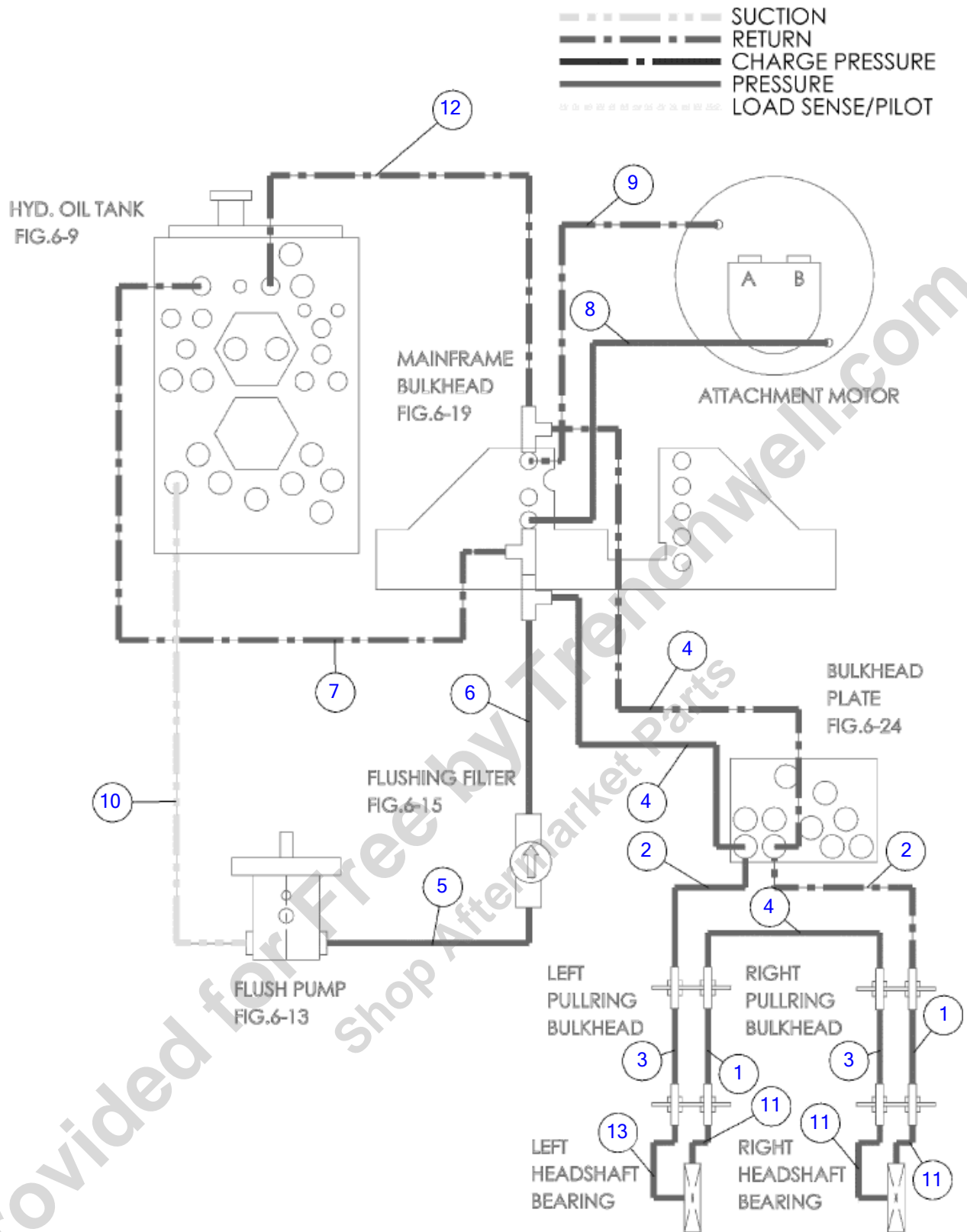
Hose Diagram-Implement

Fig 06-03

REF NO.	PART NO.	DESCRIPTION	QTY.	REMARKS
1	273910001	HOSE-HYD-.25X94-4FSJ-ST/ST-3000PSI-M3KMTF	2	
2	296399419	HOSE-HYD-.38X30-6FSJ	2	
3	296527022	HOSE-HYD-.63X24-10FSJ/10FSJ-3000PSI	2	
4	296527029	HOSE-HYD-.63X30-10FSJ/10FSJ-1900PSI	1	
5	296527056	HOSE-HYD-.25X76-4FSJ/4FSJ-3000PSI	2	
6	296527144	HOSE-HYD-.25X25-4FSJ/4FSJ	4	
7	296527151	HOSE-HYD-.25X132-4FSJ/4FSJ	2	
8	296527152	HOSE-HYD-.25X152-4FSJ/4FSJ	1	
9	296527153	HOSE-HYD-.25X154-4FSJ/4FSJ	1	
10	296527155	HOSE-HYD-.25X196-4FSJ/4FSJ	2	
11	296527157	HOSE-HYD-.38X26-6FSJ/6FSJ	1	
12	296527158	HOSE-HYD-.38X28-6FSJ/6FSJ	2	
13	296527163	HOSE-HYD-.38X270-6FSJ/6FSJ	2	
14	296527164	HOSE-HYD-.50X32-8FSJ/8FSJ	1	
15	296527170	HOSE-HYD-.75X120-12FSJ/12FSJ	1	
16	296527178	HOSE-HYD-1.00X120-16FSJ/16FSJ	1	
17	296527184	HOSE-SUCTION-1.50X36-24FSJ/24FSJ	1	
18	296527190	HOSE-HYD-.63X28-10FSJ/10FSJ-4000PSI	2	
19	296527191	HOSE-HYD-.63X68-10FSJ/10FSJ-4000PSI	4	

Hose Diagram-Tier 3 Flushing

Fig 06-04



Hose Diagram-Tier 3 Flushing

Fig 06-04

REF NO.	PART NO.	DESCRIPTION	QTY.	REMARKS
1	296480021	HOSE-HYD-.25X40-4FSJ/4FSJ-3000PSI-100R17	2	
2	296527145	HOSE-HYD-.25X50-4FSJ/4FSJ	2	
3	296527148	HOSE-HYD-.25X64-4FSJ/4FSJ	2	
4	296527150	HOSE-HYD-.25X92-4FSJ/4FSJ	3	
5	296527165	HOSE-HYD-.63X50-10FSJ/10FSJ	1	
6	242732001	HOSE-5/8X80 10FS JIC	1	
7	296527168	HOSE-HYD-.75X24-12FSJ/12FSJ	1	
8	296527171	HOSE-HYD-.75X165-12FSJ/12FSJ	1	
9	296527179	HOSE-HYD-1.00X127-16FSJ/16FSJ-250PSI	1	
10	296527182	HOSE-SUCTION-1.25X75-20FSJ/20FSJ	1	
11	296527200	HOSE-HYD-.25X11-4FSJ/4FSJ	3	
12	53846031	HOSE-1X26 16FS JIC (100R4)	1	
13	635505071	HOSE-HYD-.25X18-4FSJ/4FSJ-3000PSI	1	

Provided for Free by Trenchwell.com
Shop Aftermarket Parts

Hose Diagram-Tier 4 Flushing

Fig 06-05

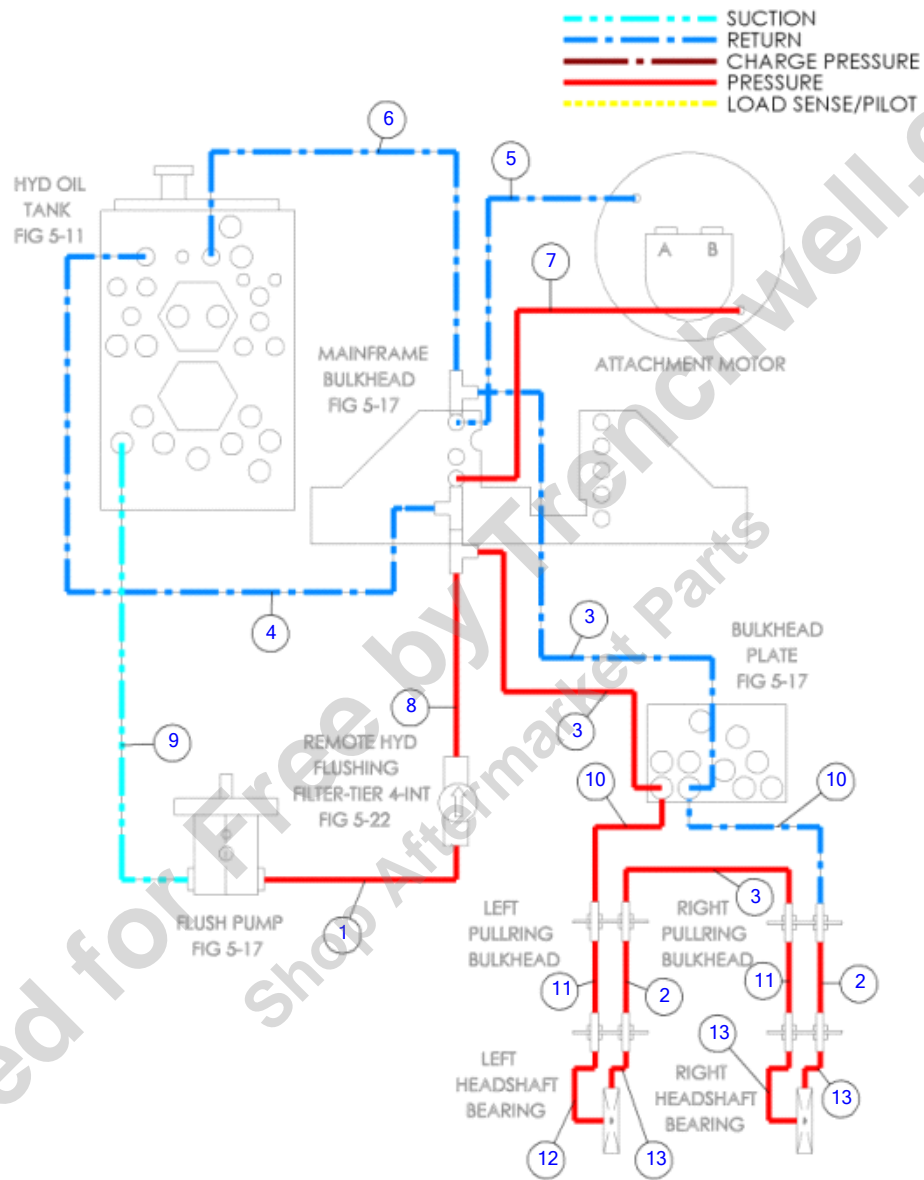


Illustration No: 635505072 - Not For Ordering

Hose Diagram-Tier 4 Flushing

Fig 06-05

REF NO.	PART NO.	DESCRIPTION	QTY.	REMARKS
1	296527165	HOSE-HYD-.63X50-10FSJ/10FSJ	1	
2	296480021	HOSE-HYD-.25X40-4FSJ/4FSJ-3000PSI-100R17	2	
3	296527150	HOSE-HYD-.25X92-4FSJ/4FSJ	3	
4	296527168	HOSE-HYD-.75X24-12FSJ/12FSJ	1	
5	296527179	HOSE-HYD-1.00X127-16FSJ/16FSJ-250PSI	1	
6	296302120	HOSE-HYD-1.00X26 - 16FSJ-ST/16FSJ-90-100R4	1	
7	296527171	HOSE-HYD-.75X165-12FSJ/12FSJ	1	
8	242732001	HOSE-5/8X80 10FS JIC	1	
9	296527182	HOSE-SUCTION-1.25X75-20FSJ/20FSJ	1	
10	296527145	HOSE-HYD-.25X50-4FSJ/4FSJ	2	
11	296527148	HOSE-HYD-.25X64-4FSJ/4FSJ	2	
12	635505071	HOSE-HYD-.25X18-4FSJ/4FSJ-3000PSI	1	
13	296527200	HOSE-HYD-.25X11-4FSJ/4FSJ	3	

Provided for Free by Trenchwell.com
Shop Aftermarket Parts

Hose Diagram-Tier 3 Attachment Drive

Fig 06-06

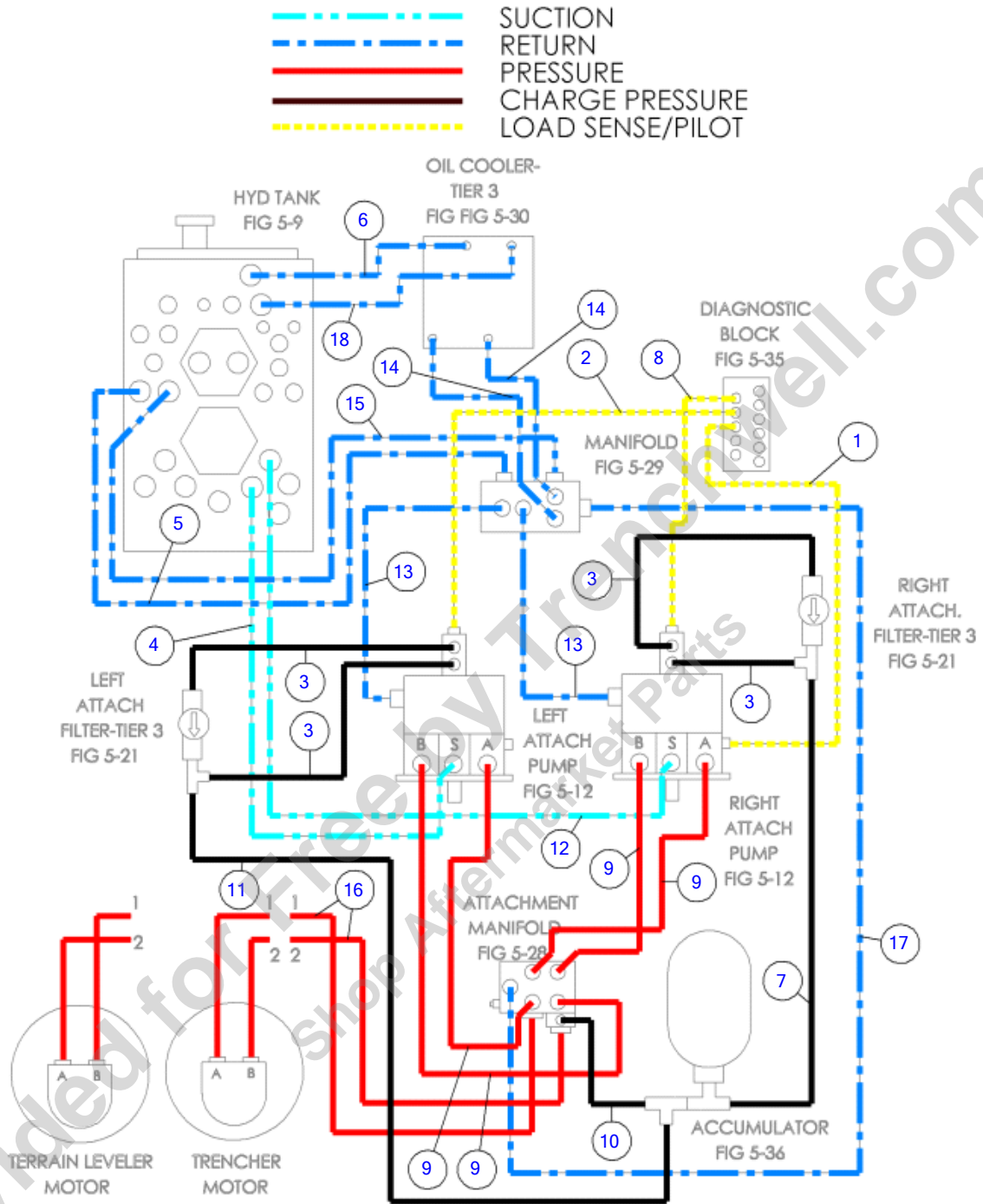


Illustration No: 635505068 - Not For Ordering

Hose Diagram-Tier 3 Attachment Drive

Fig 06-06

REF NO.	PART NO.	DESCRIPTION	QTY.	REMARKS
1	292544001	HOSE-HYD-.25X58-4FSORFF/4FSORFF-6000PSI-100R15	1	
2	296527009	HOSE-HYD-.25X84-4FSJ/4FSJ-3000PSI	1	
3	296527205	HOSE-HYD-1.00X52-16FSJ/16FSJ	4	
4	296527185	HOSE-SUCTION-1.50X40-24FSJ/24FSJ	1	
5	296527184	HOSE-SUCTION-1.50X36-24FSJ/24FSJ	1	
6	296527187	HOSE-SUCTION-1.50X113-24FSJ/24FSJ	1	
7	296527201	HOSE-HYD-1.00X26-16FSJ/16FSJ	1	
8	296527146	HOSE-HYD-.25X50-4FSJ/4FSJ	1	
9	296527192	HOSE-HYD-1.25X56-16CD62/16CD62	4	
10	296527198	HOSE-HYD-1.25X62-20FSJ/20FSJ-4000PSI	1	
11	296527207	HOSE-HYD-1.00X67-16FSJ/16FSJ	1	
12	296527186	HOSE-SUCTION-1.50X62-24FSJ/24FSJ	1	
13	296527180	HOSE-SUCTION-1.25X33-20FSJ/20FSJ	2	
14	296527189	HOSE-SUCTION-1.50X190-24FSJ/24FSJ	2	
15	296527183	HOSE-SUCTION-1.25X29-24FSJ/24FSJ	1	
16	296527193	HOSE-HYD-2.00X125-32CD62/63CD6245	2	
17	296527181	HOSE-SUCTION-1.25X42-20FSJ/20FSJ	1	
18	296527188	HOSE-SUCTION-1.50X138-24FSJ/24FSJ	1	

Hose Diagram-Tier 4 Final Attachment Drive

Fig 06-07

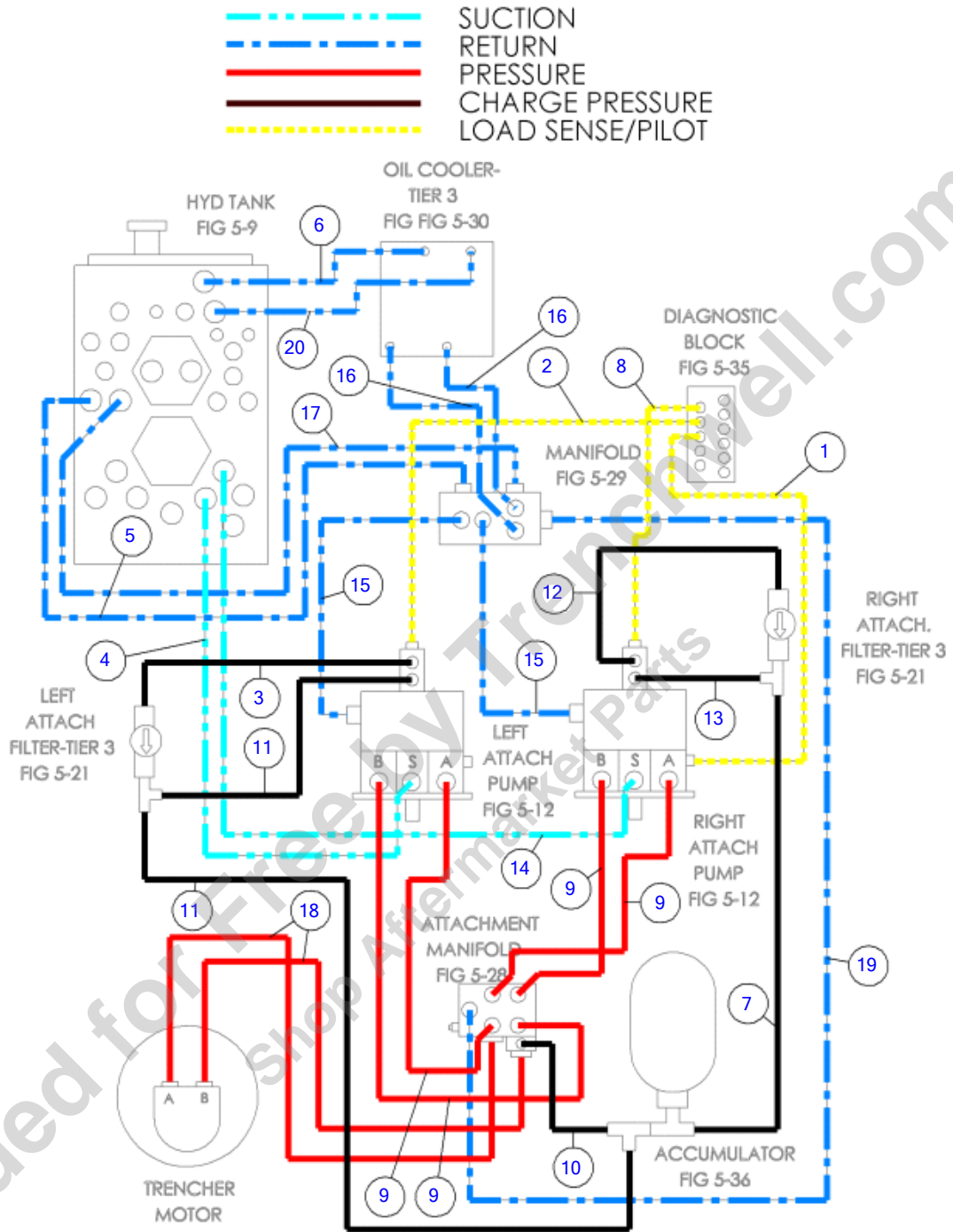


Illustration No: 635505073 - Not For Ordering

Hose Diagram-Tier 4 Final Attachment Drive
Fig 06-07

REF NO.	PART NO.	DESCRIPTION	QTY.	REMARKS
1	292544001	HOSE-HYD-.25X58-4FSORFF/4FSORFF-6000PSI-100R15	1	
2	296527009	HOSE-HYD-.25X84-4FSJ/4FSJ-3000PSI	1	
3	296527176	HOSE-HYD-1.00X81-16FSJ/16FSJ	1	
4	296527185	HOSE-SUCTION-1.50X40-24FSJ/24FSJ	1	
5	296527184	HOSE-SUCTION-1.50X36-24FSJ/24FSJ	1	
6	296527187	HOSE-SUCTION-1.50X113-24FSJ/24FSJ	1	
7	296527174	HOSE-HYD-1.00X74-16FSJ/16FSJ	1	
8	296527146	HOSE-HYD-.25X50-4FSJ/4FSJ	1	
9	296527192	HOSE-HYD-1.25X56-16CD62/16CD62	4	
10	296527198	HOSE-HYD-1.25X62-20FSJ/20FSJ-4000PSI	1	
11	296527175	HOSE-HYD-1.00X78-16FSJ/16FSJ	2	
12	296527173	HOSE-HYD-1.00X66-16FSJ/16FSJ	1	
13	296527172	HOSE-HYD-1.00X60-16FSJ/16FSJ	1	
14	296527186	HOSE-SUCTION-1.50X62-24FSJ/24FSJ	1	
15	296527180	HOSE-SUCTION-1.25X33-20FSJ/20FSJ	2	
16	296527189	HOSE-SUCTION-1.50X190-24FSJ/24FSJ	2	
17	296527183	HOSE-SUCTION-1.25X29-24FSJ/24FSJ	1	
18	296527193	HOSE-HYD-2.00X125-32CD62/63CD6245	2	
19	296527181	HOSE-SUCTION-1.25X42-20FSJ/20FSJ	1	
20	296527188	HOSE-SUCTION-1.50X138-24FSJ/24FSJ	1	

Hydraulic Oil Tank (SN 550-572)

Fig 06-08

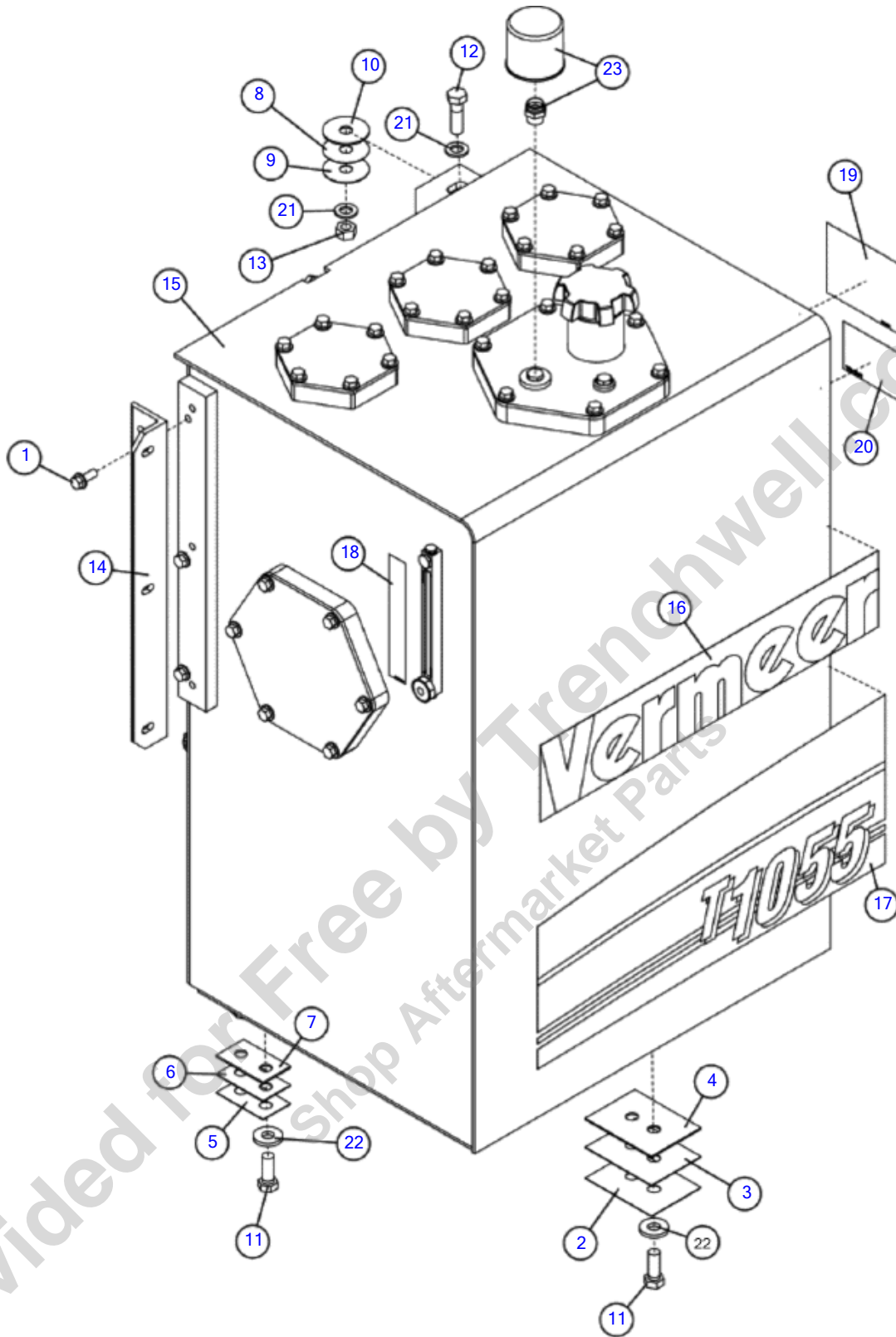


Illustration No.635050039-Not For Ordering

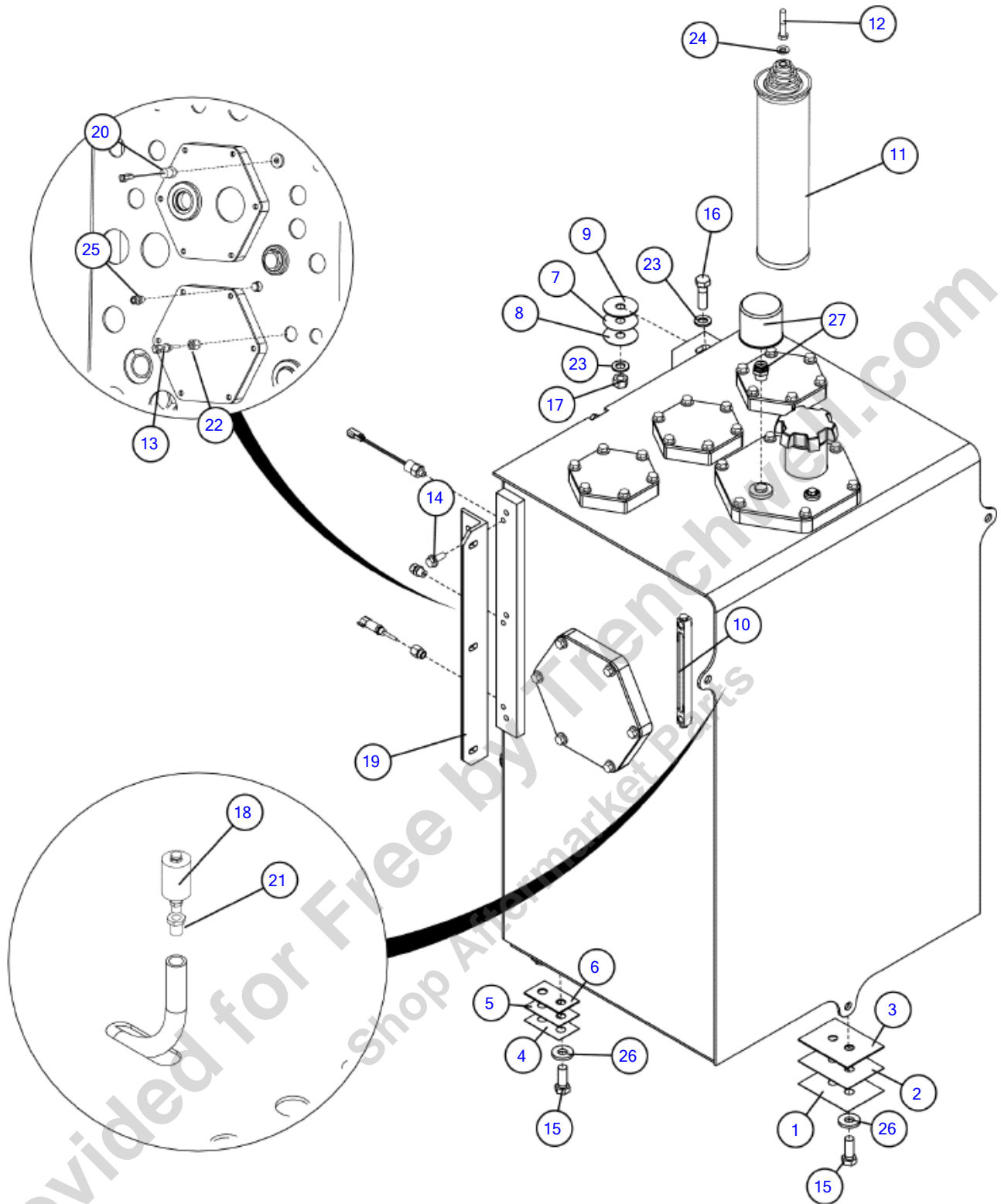
Hydraulic Oil Tank (SN 550-572)

Fig 06-08

REF NO.	PART NO.	DESCRIPTION	QTY.	REMARKS
1	103791001	SCREW-1/2-13X1 1/4 GR5 HEX FLG	3	
2	113110001	SPACER-20GA.	A/R	
3	113111001	SPACER-16 GA.	A/R	
4	113112001	SPACER-11 GA.	A/R	
5	113113001	SPACER-20 GA.	A/R	
6	113114001	SPACER-16 GA.	A/R	
7	113115001	SPACER-11 GA.	A/R	
8	113116001	SPACER-20 GA.	A/R	
9	113117001	SPACER-16 GA.	A/R	
10	113118001	SPACER-11 GA.	A/R	
11	385020	BOLT-3/4-10NCX2 GR.8 HEX	4	
12	385024	BOLT - 3/4-10X2 1/2"GRADE#8HEX	1	
13	397001	NUT-3/4-10 GR 8 SLTL	1	
14	600890001	ANGLE	1	
15	628244001	HYDRAULIC-OIL TANK COMPONENTS	1	Breakdown Fig.6-8T01R01
16	7000B059	DECAL - VERMEER 6"	1	
17	7000C967	DECAL-T1055 LEFT SIDE STRIPE	1	
18	700IA569	DECAL-HYD. OIL LEVEL	1	
19	700IA571	DECAL-T1055/T955 GREASE CHART	1	
20	700IA697	DECAL-CRUMBER GREASE CHART	1	
21	85979001	WASHER - 3/4" HARDEN ASTM - A325	2	
22	91093001	WASHER-FLATHARD-.75-.81 X 1.88-.25	4	
23	98935001	FILTER - BREATHER	1	

Hydraulic Oil Tank (SN 573-)

Fig 06-08R01



Hydraulic Oil Tank (SN 573-)

Fig 06-08R01

REF NO.	PART NO.	DESCRIPTION	QTY.	REMARKS
1	113110001	SPACER-20GA.	1	
2	113111001	SPACER-16 GA.	1	
3	113112001	SPACER-11 GA.	1	
4	113113001	SPACER-20 GA.	1	
5	113114001	SPACER-16 GA.	1	
6	113115001	SPACER-11 GA.	1	
7	113116001	SPACER-20 GA.	1	
8	113117001	SPACER-16 GA.	1	
9	113118001	SPACER-11 GA.	1	
10	128295001	GAUGE - 10" LIQUID LEVEL SIGHT	1	
11	163632910	FILTER ELEMENT ASSEMBLY	3	
12	250573001	BOLT-1/2-13 X 2 1/2 GR8 HX	3	
13	296289927	TEMPERATURE TRANSDUCER-HYDAC 13DEG. F-250 DEG F	1	
14	296300789	SCREW-HFS-.50-13X1.25-GR8	3	
15	385020	BOLT-3/4-10NCX2 GR.8 HEX	4	
16	385024	BOLT - 3/4-10X2 1/2"GRADE#8HEX	1	
17	397001	NUT-3/4-10 GR 8 SLTL	1	
18	600677001	ASSY-LEVEL CONTROL	1	
19	600890001	ANGLE	1	
20	631866386	SWITCH-FILTER RESTRICTION SM-1A-20R/2WL	1	
21	730037	FITTING-PIPE BUSHING-3/8 X 1/8 STEEL	1	
22	81925001	FITTING-8MX6F STRAIGHT	1	
23	85979001	WASHER - 3/4" HARDEN ASTM - A325	2	
24	86510001	WASHER-1/2 FLT HARDENED	3	
25	89773001	FITTING W/SEALING NUT	1	
26	91093001	WASHER-FLATHARD-.75-.81 X 1.88-.25	4	
27	98935001	FILTER - BREATHER	1	
	628244001	HYDRAULIC-OIL TANK COMPONENTS	1	Breakdown Fig. 6-8T01

Breakdown-Hydraulic Oil Tank (SN 550-560)

Fig 06-08T01

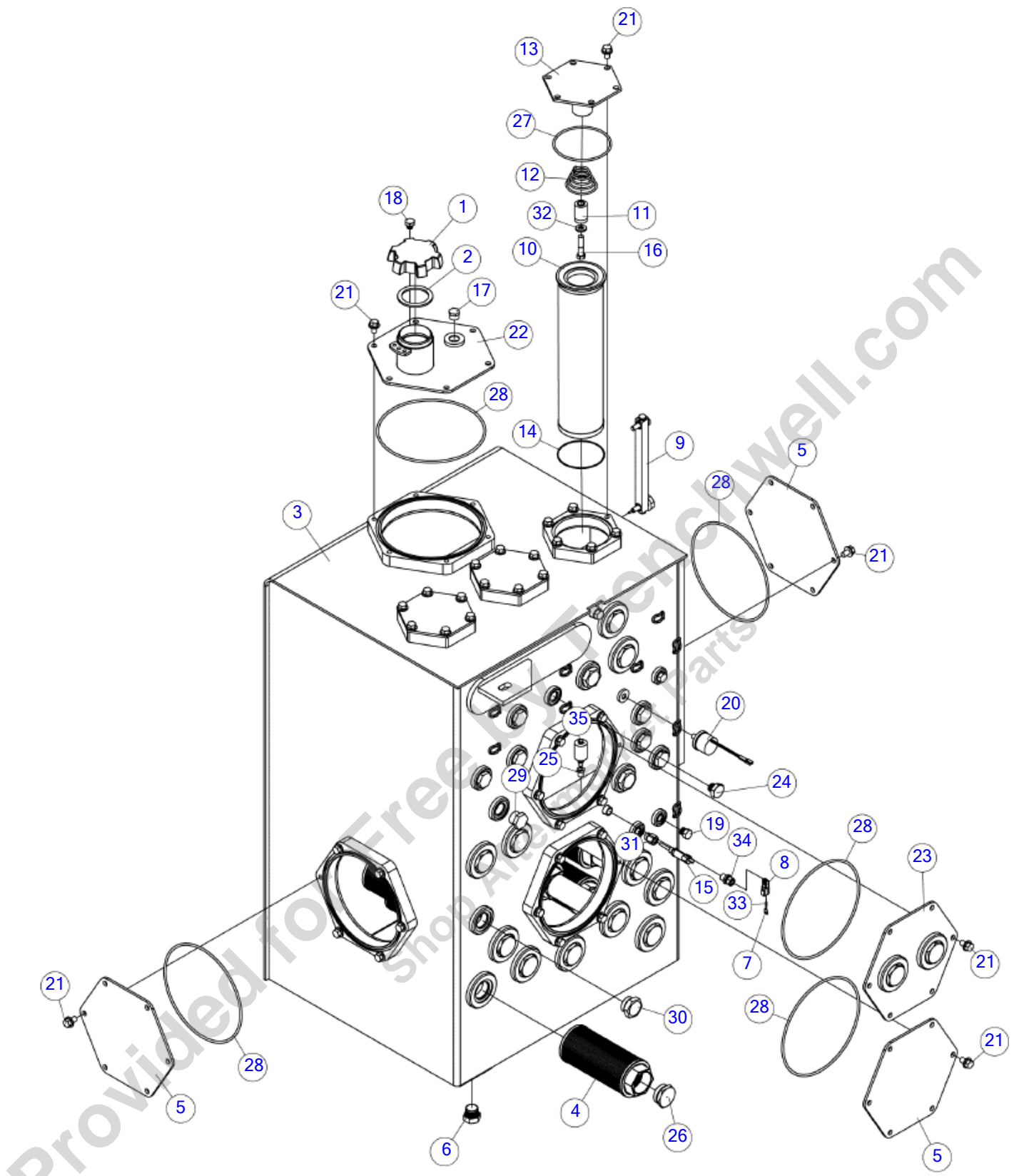


Illustration No.628244001-Not For Ordering

Breakdown-Hydraulic Oil Tank (SN 550-560)

Fig 06-08T01

REF NO.	PART NO.	DESCRIPTION	QTY.	REMARKS
1	106852001	HYDRAULIC CAP	1	
2	111468001	GASKET	1	
3		HYDRAULIC RESERVIOR	1	Not Sold Seperately
4	113091001	FILTER-SUMP STRAINER	8	
5	116931001	COVER - CLEANOUT	3	
6	117006001	FITTING-MAGNETIC PLUG 7674031	2	
7	276870001	WEDGE - 2 PIN RECEPTACLE	1	
7	(125283001)	2 CONTACT RECEPTACLE - WEDGE LOCK	1	
8	125286001	RECEPTACLE-DEUTSCH 2 PIN	1	
9	128295001	GAUGE - 10" LIQUID LEVEL SIGHT	1	
10	163632908	FILTER ELEMENT	3	
11	163632911	COLUMN MAGNET	3	
12	163632913	SPRING- FILTER BYPASS	3	
13	163632914	COVER - RETURN FILTER ("NO PAINT")	3	
14	89671007	SEAL	3	
14	(163632922)	O-RING	3	
15	296289927	TEMPERATURE TRANSDUCER-HYDAC 13DEG. F-250 DEG F	1	
16	358022	BOLT, 1/2-13 X 2 1/4 HEX CAP GR 5 ZINC	3	
17	503188001	FITTING - PLUG - 12MNPT - HEX	1	
18	5553001	FITTING - PLUG - 6MORB - HEX	1	
19	56218001	FITTING - PLUG - 8MORB - HEX	3	
20	631866386	SWITCH-FILTER RESTRICTION SM-1A-20R/2WL	1	
20	(600079001)	SWITCH-PRESSURE SIN POLE 20PSI	1	
21	623892001	SCREW-HFS-.50-13X.75-GR8-CZ	43	
22	627627001	COVER-HYDRAULIC FILL	1	
23	635057001	COVER-ORING PORTS	1	
24	67570001	FITTING - PLUG - 12MORB - HEX	1	
25	730037	FITTING-PIPE BUSHING-3/8 X 1/8 STEEL	1	
26	73065001	FITTING-24M PLUG	14	
27	78543001	ORING AS - 357 B46	3	
28	78544001	ORING AS 378 B46	5	
29	81214001	PLUG- 16M	7	
30	81704001	FITTING-20M PLUG	3	
31	81925001	FITTING-8MX6F STRAIGHT	1	
32	86510001	WASHER-1/2 FLT HARDENED	3	
33	87696001	CONTACT PIN - SIZE 16, SOLID	2	
34	89773001	FITTING W/SEALING NUT	1	
35	99097001	SWITCH-LEVEL CONTROL	1	
	628244001	HYDRAULIC-OIL TANK COMPONENTS	A/R	Capped For Storage, & Shipping

Breakdown-Hydraulic Oil Tank (SN 561-)

Fig 06-08T01R01

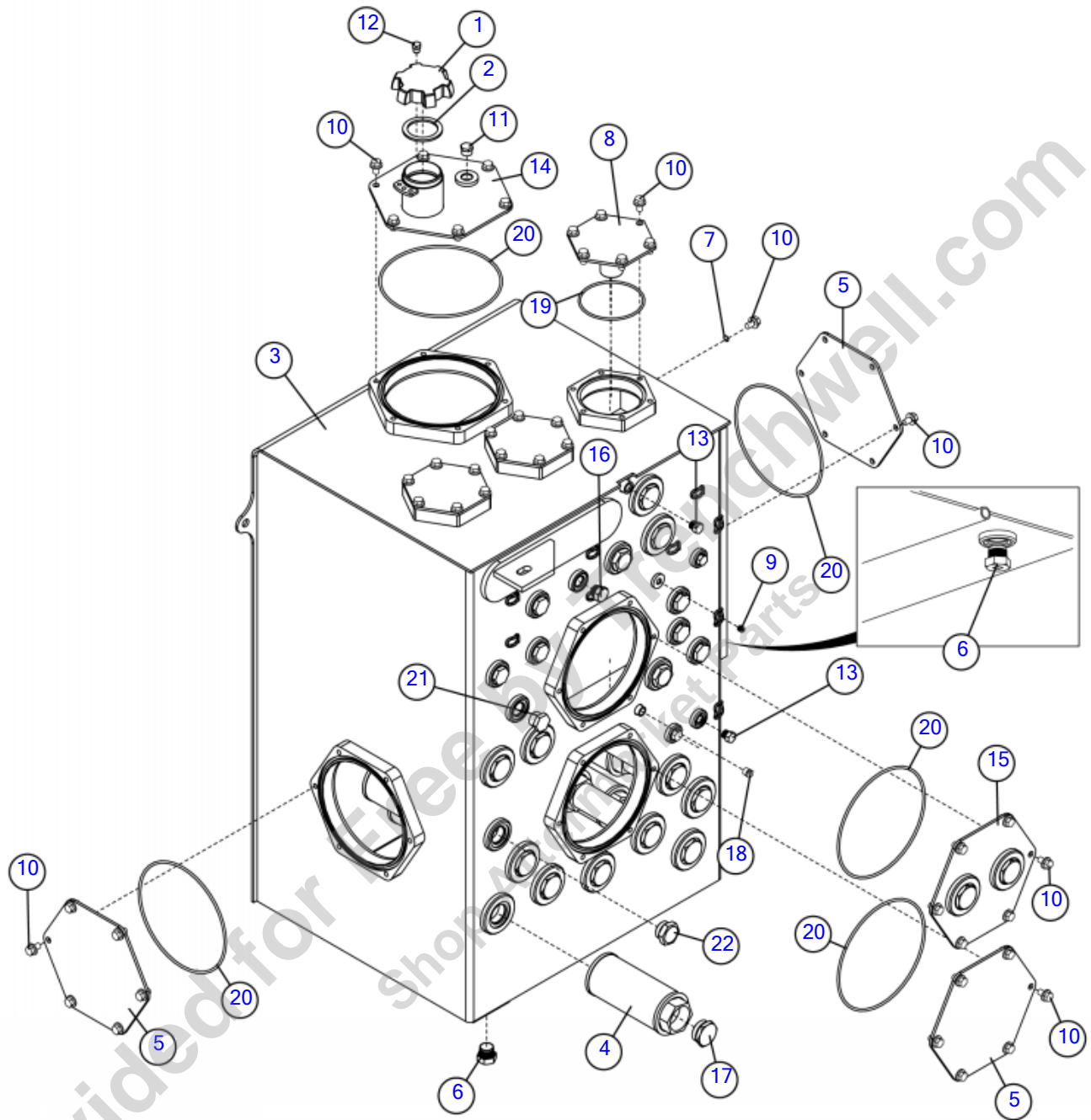


Illustration No.628244001-Not For Ordering

Breakdown-Hydraulic Oil Tank (SN 561-)

Fig 06-08T01R01

REF NO.	PART NO.	DESCRIPTION	QTY.	REMARKS
1	106852001	HYDRAULIC CAP	1	
2	111468001	GASKET	1	
3	608929001	ASSEMBLY - HYDRAULIC RESERVOIR (REPAIR)	1	Not Sold Separately
3	(112972001)	HYDRAULIC RESERVIOR	1	Not Sold Separately
4	113091001	FILTER-SUMP STRAINER	8	
5	116931001	COVER - CLEANOUT	3	
6	117006001	FITTING-MAGNETIC PLUG 7674031	2	
7	16138031	ORING	2	
8	163632914	COVER - RETURN FILTER ("NO PAINT")	3	
9	221095001	PLUG-1/4" NPT SOCKET HD W/HOLE	1	
10	296300873	SCREW HFS .50 13X.75 GR8	50	
11	503188001	FITTING - PLUG - 12MNPT - HEX	1	
12	5553001	FITTING - PLUG - 6MORB - HEX	1	
13	56218001	FITTING - PLUG - 8MORB - HEX	4	
14	627627001	COVER-HYDRAULIC FILL	1	
15	635057001	COVER-ORING PORTS	1	
16	67570001	FITTING - PLUG - 12MORB - HEX	1	
17	73065001	FITTING-24M PLUG	14	
18	732005	PLUG - 3/8 in. PIPE PLUG BLACK STEEL	1	
19	78543001	ORING AS - 357 B46	3	
20	78544001	ORING AS 378 B46	5	
21	81214001	PLUG- 16M	7	
22	81704001	FITTING-20M PLUG	3	

Hydraulic Oil Tank Plumbing

Fig 06-09

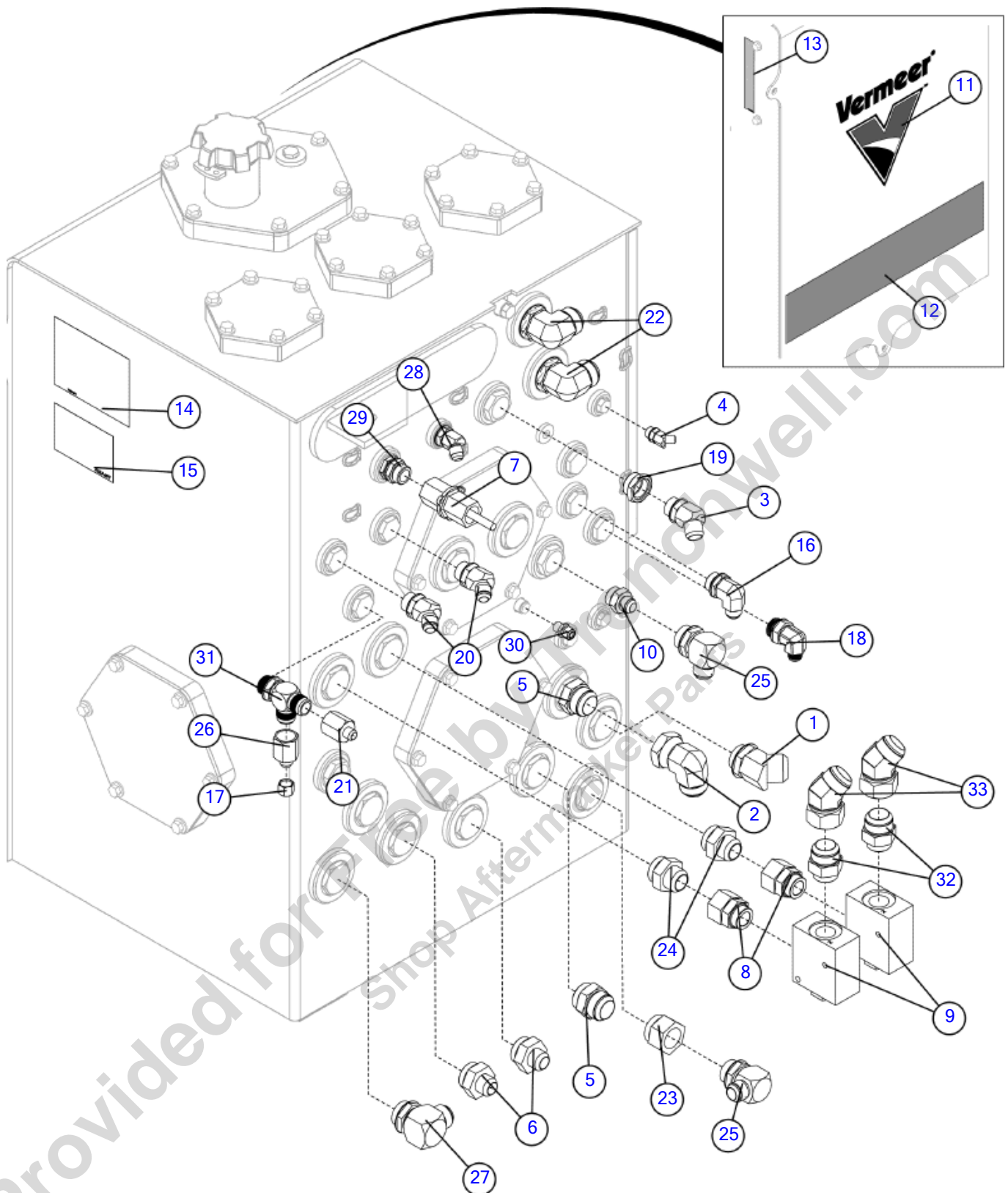


Illustration No. 635228070 - Not For Ordering

Hydraulic Oil Tank Plumbing

Fig 06-09

REF NO.	PART NO.	DESCRIPTION	QTY.	REMARKS
1	130640001	FITTING-24MJICX24M ORING 45DEG	1	
2	154854001	FITTING-24M X 24FS JIC 90 DEG.	1	
3	53835001	FITTING-#16M O-RING-#16M JIC 45 DEG.	1	
4	59425001	FITTING-6M JICX8M ADJ.45 ELBOW	1	
5	600067001	FITTING - STR - 24MJ - 24MORB	2	
6	601429001	FITTING-24MORNG-16M JIC STR	2	
7	601438001	VALVE RELIEF BPI LRV 13 25	1	
8	603101001	FITTING-#20 ORX#20FS JIC	2	
9	607743001	VALVE-THERMAL BYPASS	2	
10	70008001	FITTING-16M X 12M JIC STR.	1	
11	7000D011	DECAL-"V" (15 X 15)	1	
12	7000H610	DECAL-T1055 IMPACT STRIPE	1	
13	700IA569	DECAL-HYD. OIL LEVEL	1	
14	700IA571	DECAL-T1055/T955 GREASE CHART	1	
15	700IA697	DECAL-CRUMBER GREASE CHART	1	
16	78057001	FITTING-90-12MJ-16MORBA	1	
17	78062001	FITTING-10F JIC CAP NUT	1	
18	78064001	FITTING-16MX10M JIC 90 DEG.	1	
19	79498001	FITTING - STR - 20MORB - 16FORB	1	
20	81212001	FITTING-16MX12M JIC 45 ELBOW	2	
21	81581001	FITTING-8MX16F REDUCER	1	
22	81921001	FITTING-24MX24M JIC 90 DEG.	2	
23	85659001	FITTING-24M ORINGX20F ORINGSTR	1	
24	85660001	FITTING-24MORINGX20M JIC STR.	2	
25	85661001	FITTING-20MORINGX16MJIC 90 DEG	2	
26	85663001	FITTING-16FJICX10MJIC SOLID ST	1	
27	85668001	FITTING-24MORINGX20MJIC 90 EL	1	
28	88659001	FITTING-12M ORINGX10MJIC 45DEG	1	
29	89226001	HEX NIPPLE 16MX16M ADJ ORING	1	
30	89773001	FITTING W/SEALING NUT	1	
31	94565001	TEE-16MJICX16MOR RUNX16MJIC	1	
32	94571001	FITTING-20MOR X 24M JIC STR.	2	
33	98672001	FITTING-24MJICX24FSJIC 45	2	

Attachment Drive Pumps-180cc

Fig 06-10

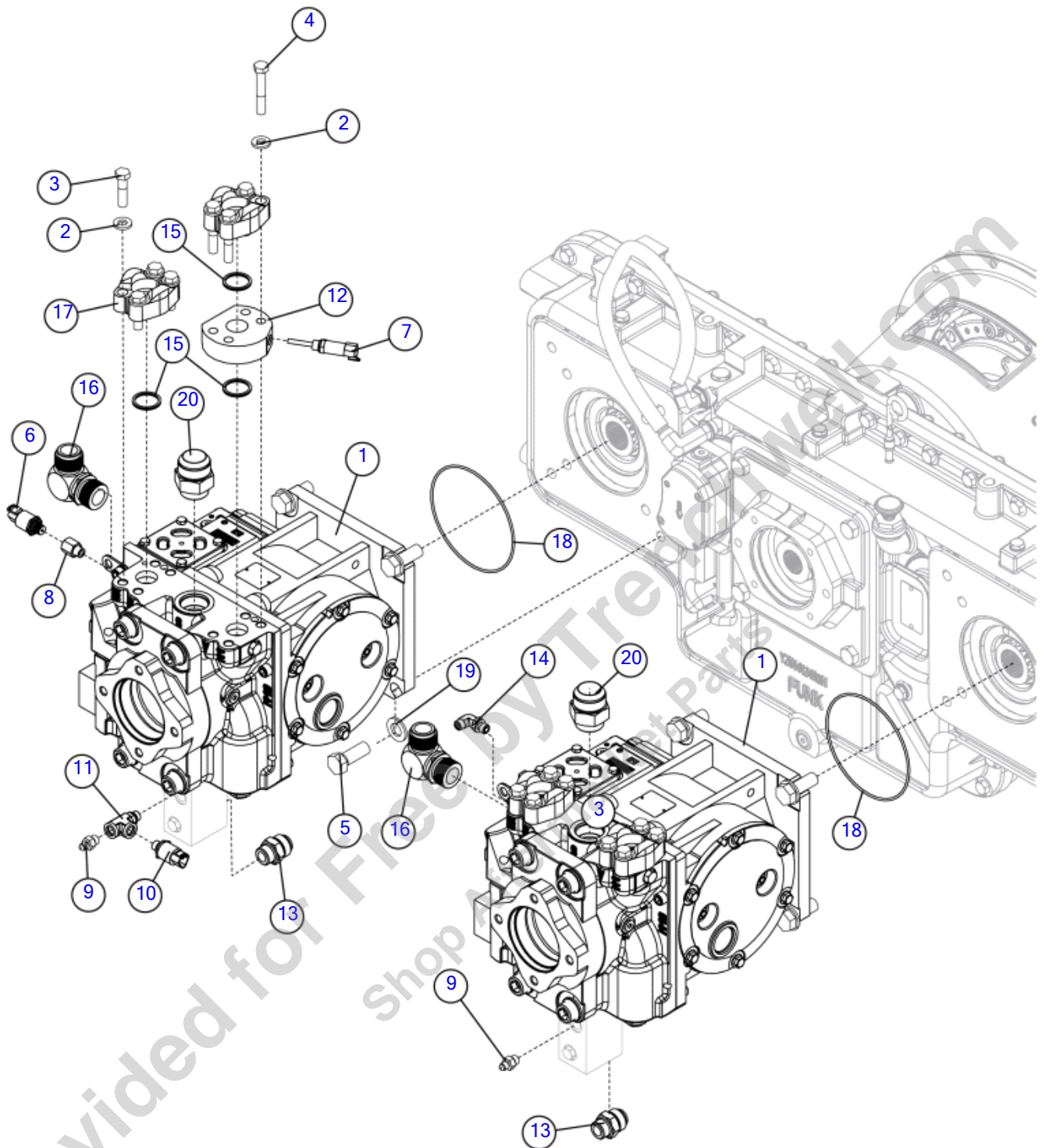


Illustration No.635099001-Not For Ordering

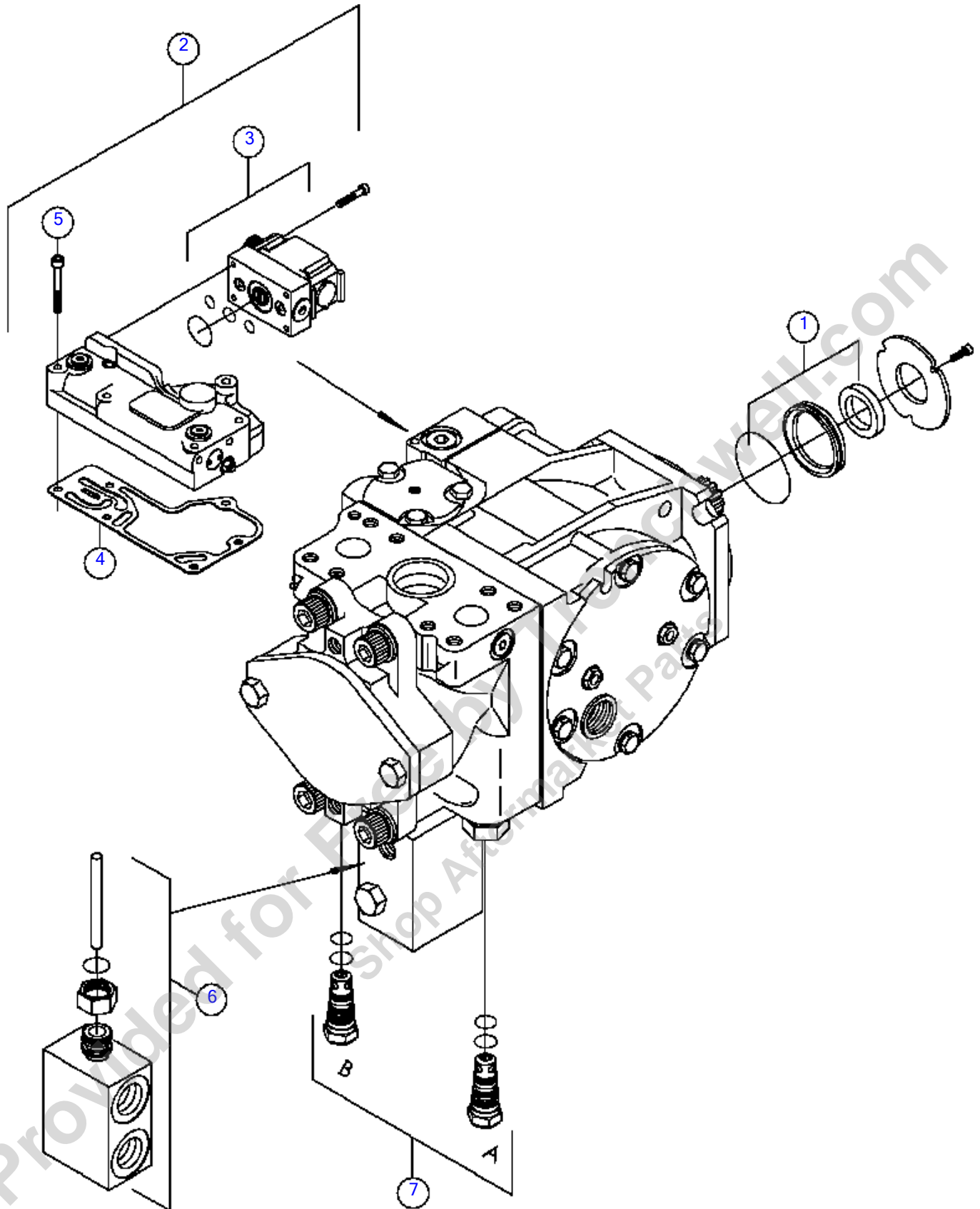
Attachment Drive Pumps-180cc

Fig 06-10

REF NO.	PART NO.	DESCRIPTION	QTY.	REMARKS
1	113077001	PUMP-90R 180 VARIABLE	2	Breakdown Fig. 6-10T01
2	127362001	WASHER-1/2 HARD.FLAT	16	
3	235718001	BOLT-1/2-13X2 GR8 HEX	12	
4	235724001	BOLT-1/2-13X3 GR8 HEX	4	
5	235746001	BOLT-3/4-10X2 GR8 HEX	8	
6	296276082	TRANSDUCER 6000 PSI HYDAC	1	
7	296289927	TEMPERATURE TRANSDUCER-HYDAC 13DEG. F-250 DEG F	1	
8	296290307	FITTING - STR - 6MORB - 6FORB	1	
9	57968001	FITTING-STR-4MJ-6MORB	2	
10	627175001	TRANSDUCER-500 PSI HYDAC	1	
11	627615001	FITTING RTEE 6MORBA 6FORB 6FORB	1	
12	635201720	BOSS-TEMPERATURE TRANSDUCER	1	
13	70009001	FITTING-12M X 16M JIC STR.	4	
14	72428001	FITTING - 90 - 4MORFF - 6MORBA	1	
15	72896001	O RING-SQ. #20 FLANGE	5	
16	77137001	FITTING-20MX20M JIC 90 DEG.	2	
17	78060001	FLANGE- 20 CODE 62	8	
18	78515065	O-RING #F37030260	2	
19	85979001	WASHER - 3/4" HARDEN ASTM - A325	8	
20	94571001	FITTING-20MOR X 24M JIC STR.	2	

Breakdown-Attachment Pump

Fig 06-10T01



Breakdown-Attachment Pump

Fig 06-10T01

REF NO.	PART NO.	DESCRIPTION	QTY.	REMARKS
1	113077003	SEAL CARRIER	1	
	98688009	LIP SEAL	1	
	113077005	O-RING	1	
2	113077007	EDC KIT	1	
3	605211001	PCP TYPE 3 OIL FILLED	1	
4	254675037	CONTROL GASKET	1	
5	254674047	SCREW	6	
6	113077009	REMOTE FILTRATION MANIFOLD KIT	1	
7	113077015	MULTI-FUNCTION VALVE ASSEMBLY	2	One Per A & B Port
	113077001	PUMP-90R 180 VARIABLE	A/R	Refer to Fig.6-10
note		See Service Manual For Multi-Function Valve Pressure Settings	A/R	

Provided for Free by Trenchwell.com
Shop Aftermarket Parts

Ground Drive Pumps-75cc

Fig 06-11

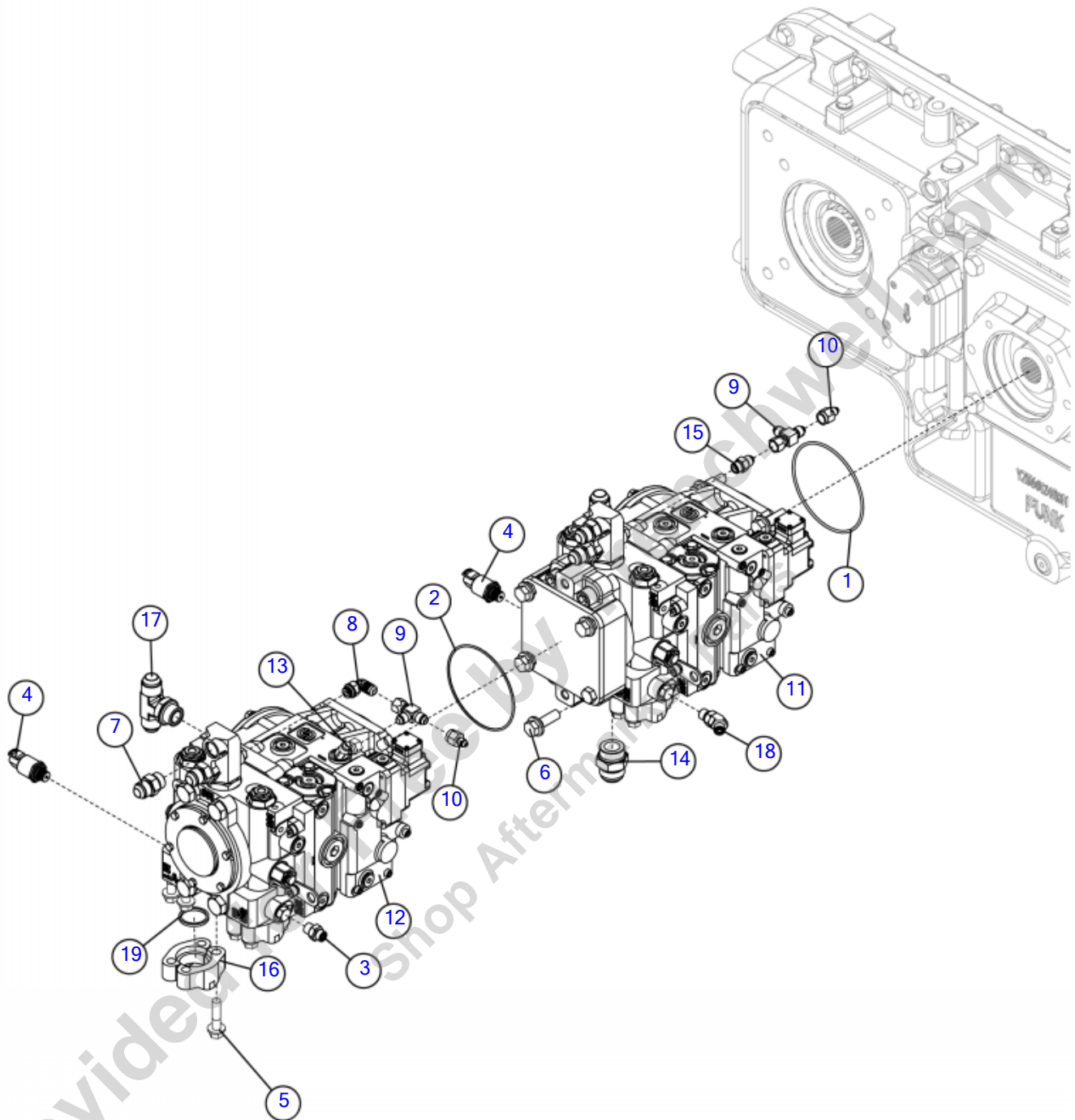


Illustration No. 635050002 - Not For Ordering

Ground Drive Pumps-75cc

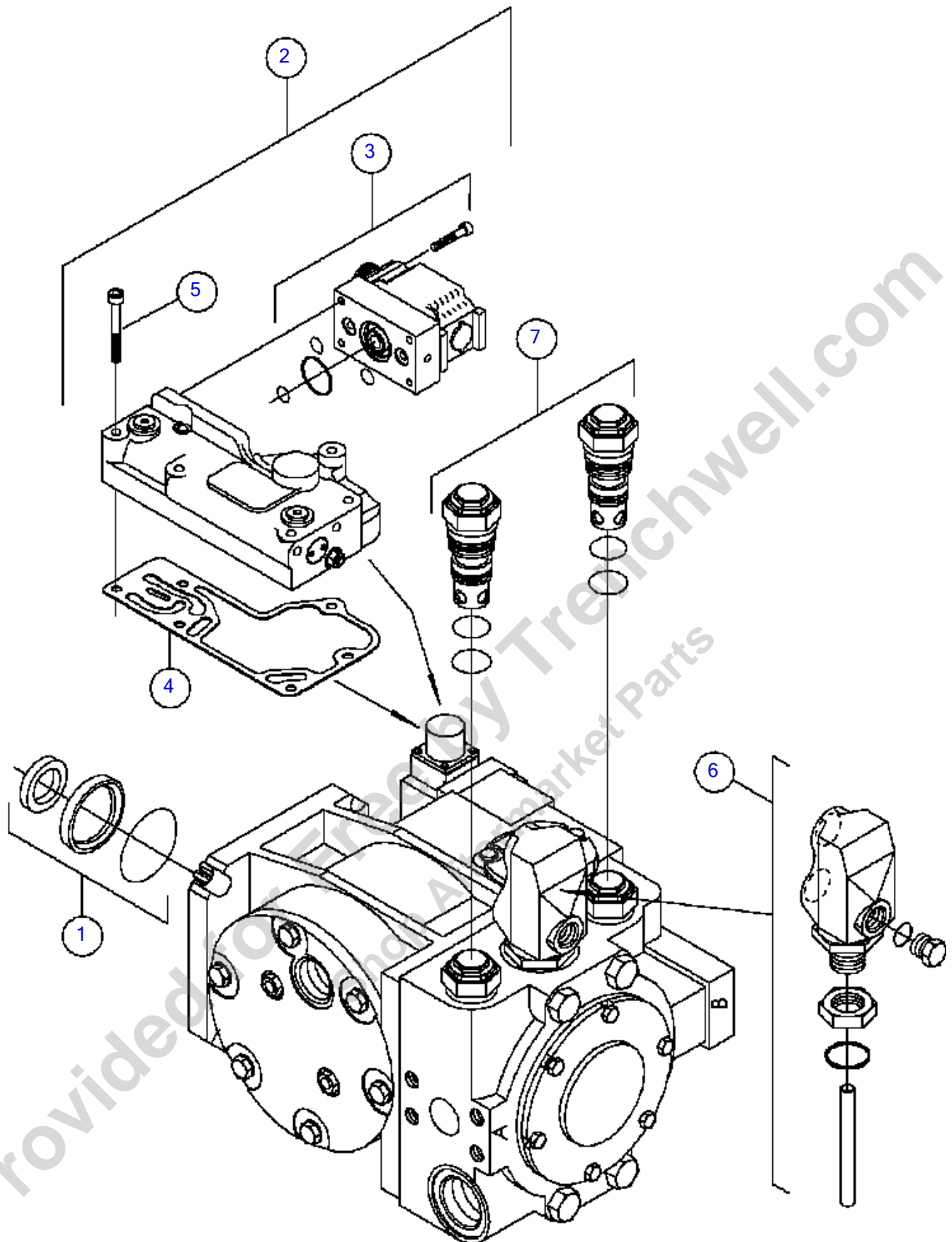
Fig 06-11

REF NO.	PART NO.	DESCRIPTION	QTY.	REMARKS
1	105159001	ORING	1	
2	231402001	O-RING 158V75	1	
3	278947001	FITTING-STR-4MORFF-6MORB	1	
4	296276082	TRANSDUCER 6000 PSI HYDAC	2	
5	296300783	SCREW-HFS-.44-14X1.75-GR8-YZ	16	
6	296300790	SCREW HFS .50 13X1.50 GR8	8	
7	53827001	FITTING - 10M O-RING X 10M JIC ST.	4	
8	59426001	FITTING-90-6MJ-6MORB	1	
9	59427001	TEE-6MJ-6FSJ-6MJ	2	
10	59928001	REDUCER-6F JICX4M JIC ST	2	
11	602613001	PUMP-90 SERIES 75CC/REV	1	Breakdown Fig. 6-11T01
12	602614001	PUMP-90 SERIES 75CC/REV	1	Breakdown Fig. 6-11T01
13	60851001	FITTING-6M JICX6FS JIC 90ELBOW	1	
14	60907001	FITTING - 16M JICX16M STR ADAPT	2	
15	65565001	FITTING - 6M O-RING X 6M JIC ST.	1	
16	67745001	FITTING - FLGH - 16CD62	8	
17	70032001	TEE-12M BCH X 12M JICX12M JIC	2	
18	72438001	FITTING - 45 - 4MORFF - 6MORBA	1	
19	72895001	O RING-SQ. #16 FLANGE	4	

Provided for Free by Trenchwell.com
Shop Aftermarket Parts

Breakdown-Ground Drive Pump

Fig 06-11T01



Breakdown-Ground Drive Pump

Fig 06-11T01

REF NO.	PART NO.	DESCRIPTION	QTY.	REMARKS
1	114282003	SEAL CARRIER	1	
	114282005	LIP SEAL	1	
	(622239001)	LIP SEAL	1	
	114282007	O-RING	1	
2	113079003	CONTROL-EDC	1	
3	85642021	PCP TYPE 3 OIL FILLED	1	
4	254675037	CONTROL GASKET	1	
5	254674047	SCREW	6	
6	98688007	FILTRATION MANIFOLD KIT	1	
	268967001	O-RING	A/R	
7	113079007	VALVE MULTI FUNCTION	2	One Per A & B Port
	113079007	VALVE MULTI FUNCTION	1	One Per Valve
	(605212001)	MULTI FUNCTION VALVE KIT	1	One Per Valve
	602613001	PUMP-90 SERIES 75CC/REV	A/R	Refer to Fig.6-11
	602614001	PUMP-90 SERIES 75CC/REV	A/R	Refer to Fig.6-11
note		See Service Manual For Multi-Function Valve Pressure Settings	A/R	

Implement Pump

Fig 06-12

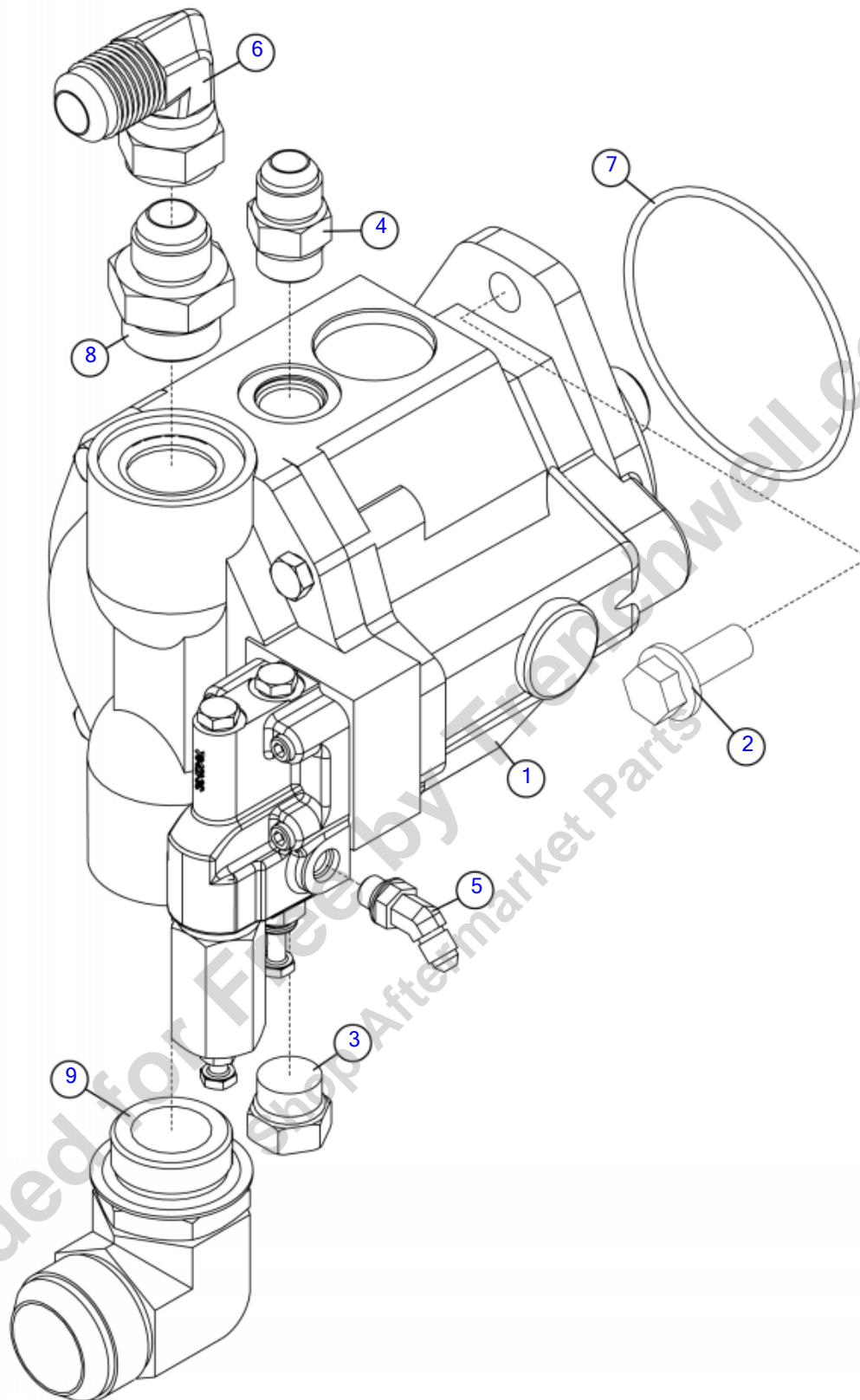


Illustration No.635097001-Not For Ordering

Implement Pump

Fig 06-12

REF NO.	PART NO.	DESCRIPTION	QTY.	REMARKS
1	113081001	PUMP-PISTON LH (CCW)	1	
	601915001	SEAL KIT-PUMP & COMPENSATOR	1	
	111480003	COMPENSATOR ASSEMBLY (LH)	1	
	103775001	SEAL-CESSNA PUMP VITON	1	
2	296300789	SCREW-HFS-.50-13X1.25-GR8	2	
3	4235001	FITTING - PLUG - 10MORB - HEX	1	
4	53827001	FITTING - 10M O-RING X 10M JIC ST.	1	
5	58295001	FITTING-4M OR X 4M JIC 45 DEG.	1	
6	59422001	FITTING-90-12MJ-12FSJ	1	
7	6303001	O-RING - 242 NAT.	1	
8	70008001	FITTING-16M X 12M JIC STR.	1	
9	94567001	FITTING-20MORX24MJIC 90 DEG.	1	

Provided for Free by Trenchwell.com
Shop Aftermarket Parts

Flushing Pump

Fig 06-13

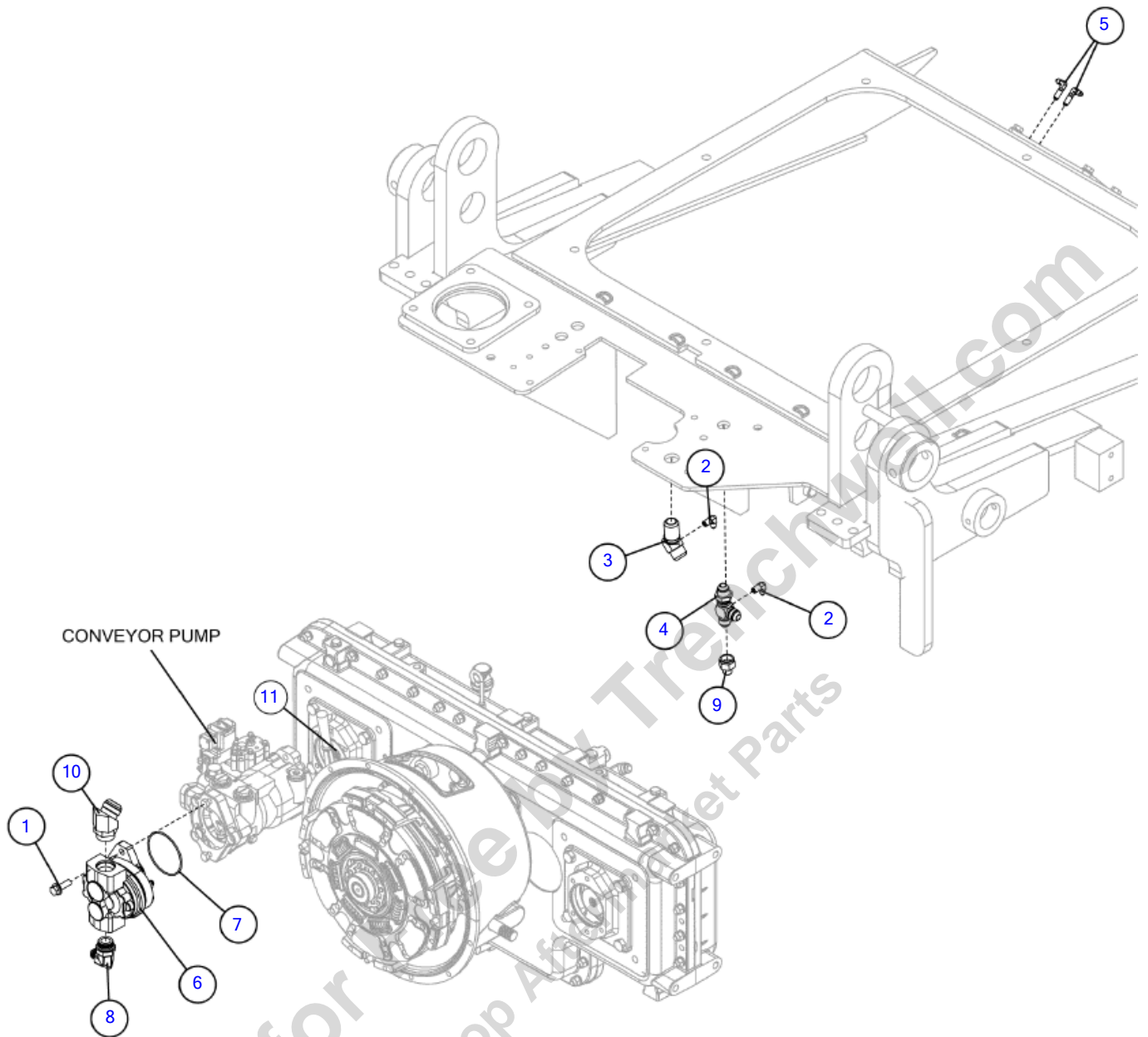


Illustration No. 635098001 - Not For Ordering

Flushing Pump

Fig 06-13

REF NO.	PART NO.	DESCRIPTION	QTY.	REMARKS
1	296300790	SCREW HFS .50 13X1.50 GR8	2	
2	56647001	FITTING-1/4MX4M JIC 90 DEG.	2	
3	601440001	FITTING-MOD16MJIC BLKHD 45DEG.	1	
4	601441001	FITTING-MOD.12M BULKHEAD-RUNTEE	1	
5	61497001	FITTING-4M JIC BULKHEAD 90DEG.	2	
6	621001001	PUMP-GEAR	1	
7	6303001	O-RING - 242 NAT.	1	W/O Conveyor Pump
	85642037	ORING	1	W/ Conveyor Pump
8	78064001	FITTING-16MX10M JIC 90 DEG.	1	
9	81690001	FITTING-12F JICX10M JIC ST.	1	
10	81703001	FITTING-20M ORBA X 20M JIC 45 DEG.EL.	1	
11	78515127	SHAFT-DRIVE 19T 13T	1	W/O Conveyor Pump
	113076009	SHAFT-DRIVE	1	W/ Conveyor Pump

Provided for Free by Trenchwell.com
Shop Aftermarket Parts

Ground Drive Motor (SN 550-575)

Fig 06-14

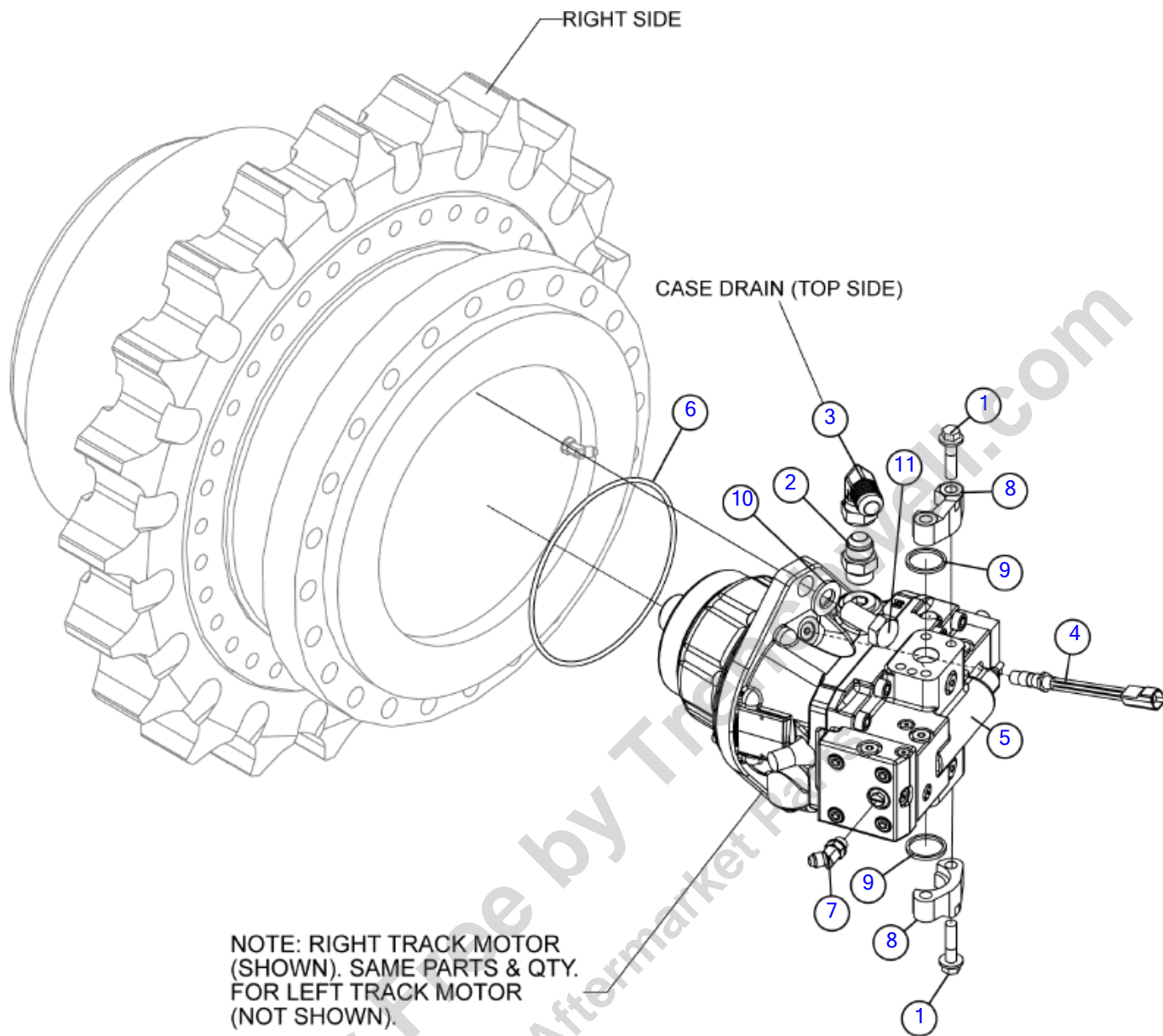


Illustration No.635201625-Not For Ordering

Ground Drive Motor (SN 550-575)

Fig 06-14

REF NO.	PART NO.	DESCRIPTION	QTY.	REMARKS
1	296300783	SCREW-HFS-.44-14X1.75-GR8-YZ	8	
2	53828001	FITTING-12M O-RING X 12M JIC ST.	1	
3	59422001	FITTING-90-12MJ-12FSJ	1	
4	604462001	MAGNETIC PICKUP - KPPE23703 W/CONE TIP	1	
5	615877001	MOTOR- SUNDSTRAND	1	Breakdown Fig.6-14T01
6	618490001	O-RING	1	
7	65563001	FITTING - 6M O-RING X 6M JIC 45 DEGREE	1	
8	67745001	FITTING - FLGH - 16CD62	4	
9	72895001	O RING-SQ. #16 FLANGE	2	
10	85979001	WASHER - 3/4" HARDEN ASTM - A325	2	
11	99382001	BOLT-M20X2.5-45 DIN933 GR.8.8	2	

Provided for Free by Trenchwell.com
Shop Aftermarket Parts

Ground Drive Motor (SN 576-)

Fig 06-14R01

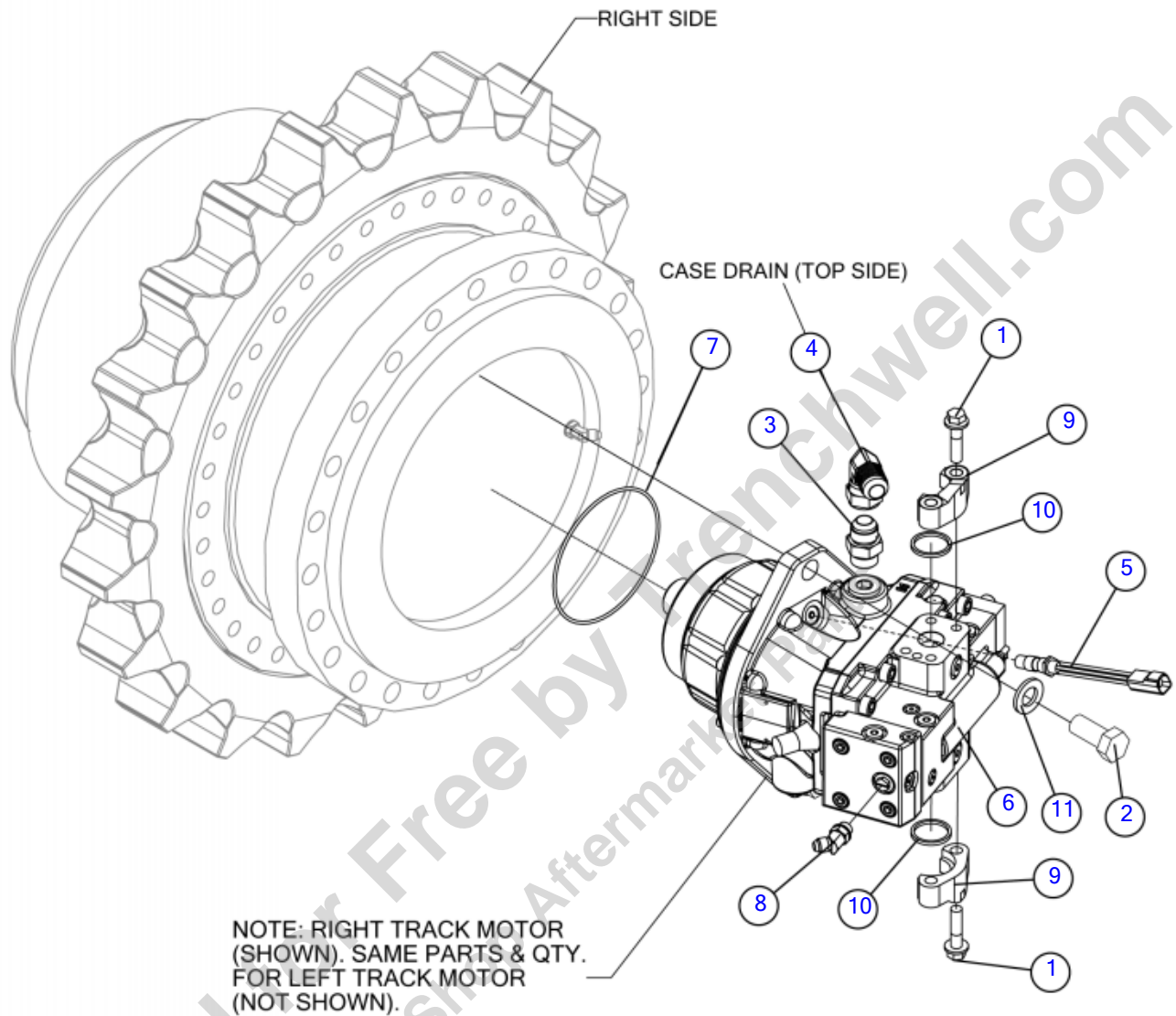


Illustration No.635201625-Not For Ordering

Ground Drive Motor (SN 576-)

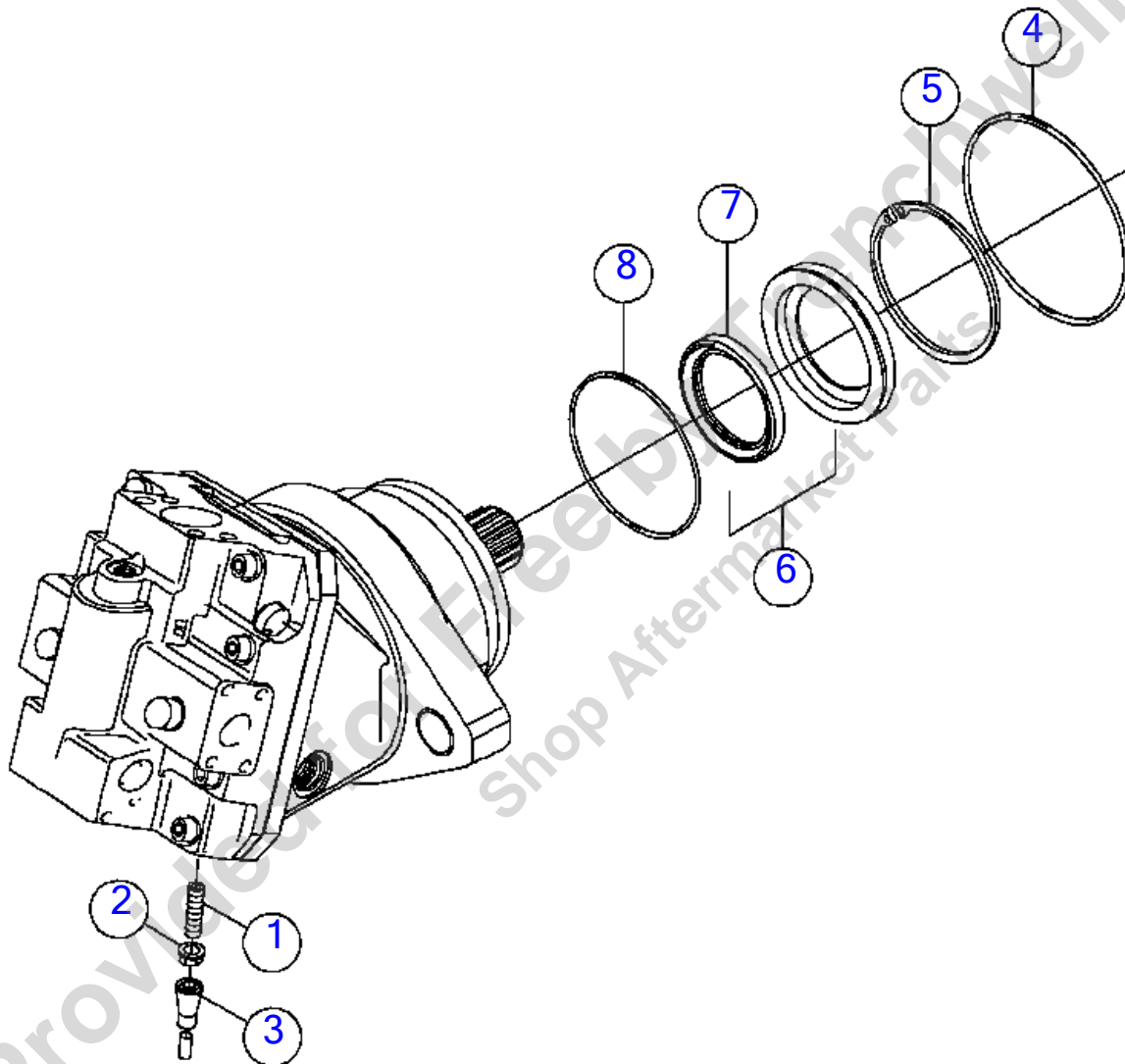
Fig 06-14R01

REF NO.	PART NO.	DESCRIPTION	QTY.	REMARKS
1	296300783	SCREW-HFS-.44-14X1.75-GR8-YZ	8	
2	508480045	SCREW-HCS,M20-2.50X45,10.9,ISO4017,FT	2	
3	53828001	FITTING-12M O-RING X 12M JIC ST.	1	
4	59422001	FITTING-90-12MJ-12FSJ	1	
5	604462001	MAGNETIC PICKUP - KPPE23703 W/CONE TIP	1	
6	615877001	MOTOR- SUNDSTRAND	1	Breakdown Fig. 6-14T01
7	618490001	O-RING	1	
8	65563001	FITTING - 6M O-RING X 6M JIC 45 DEGREE	1	
9	67745001	FITTING - FLGH - 16CD62	4	
10	72895001	O RING-SQ. #16 FLANGE	2	
11	85979001	WASHER - 3/4" HARDEN ASTM - A325	2	

Provided for Free by Trenchwell.com
Shop Aftermarket Parts

Breakdown-Ground Drive Motor

Fig 06-14T01



Breakdown-Ground Drive Motor

Fig 06-14T01

REF NO.	PART NO.	DESCRIPTION	QTY.	REMARKS
1	622022001	STUD	1	
2	622023001	NUT-SEAL	1	
3	622024001	CAP	1	
4	112434005	O-RING	1	
5	622025001	RING-SNAP	1	
6	608300001	SEAL CARRIER ASSY	1	Inc Ref 7
7	112434009	SEAL	1	
8	608301001	O-RING	1	
	615877001	MOTOR- SUNDSTRAND	A/R	Refer To Fig.6-14

Provided for Free by Trenchwell.com
Shop Aftermarket Parts

Remote Hydraulic Filter-Tier 3

Fig 06-15

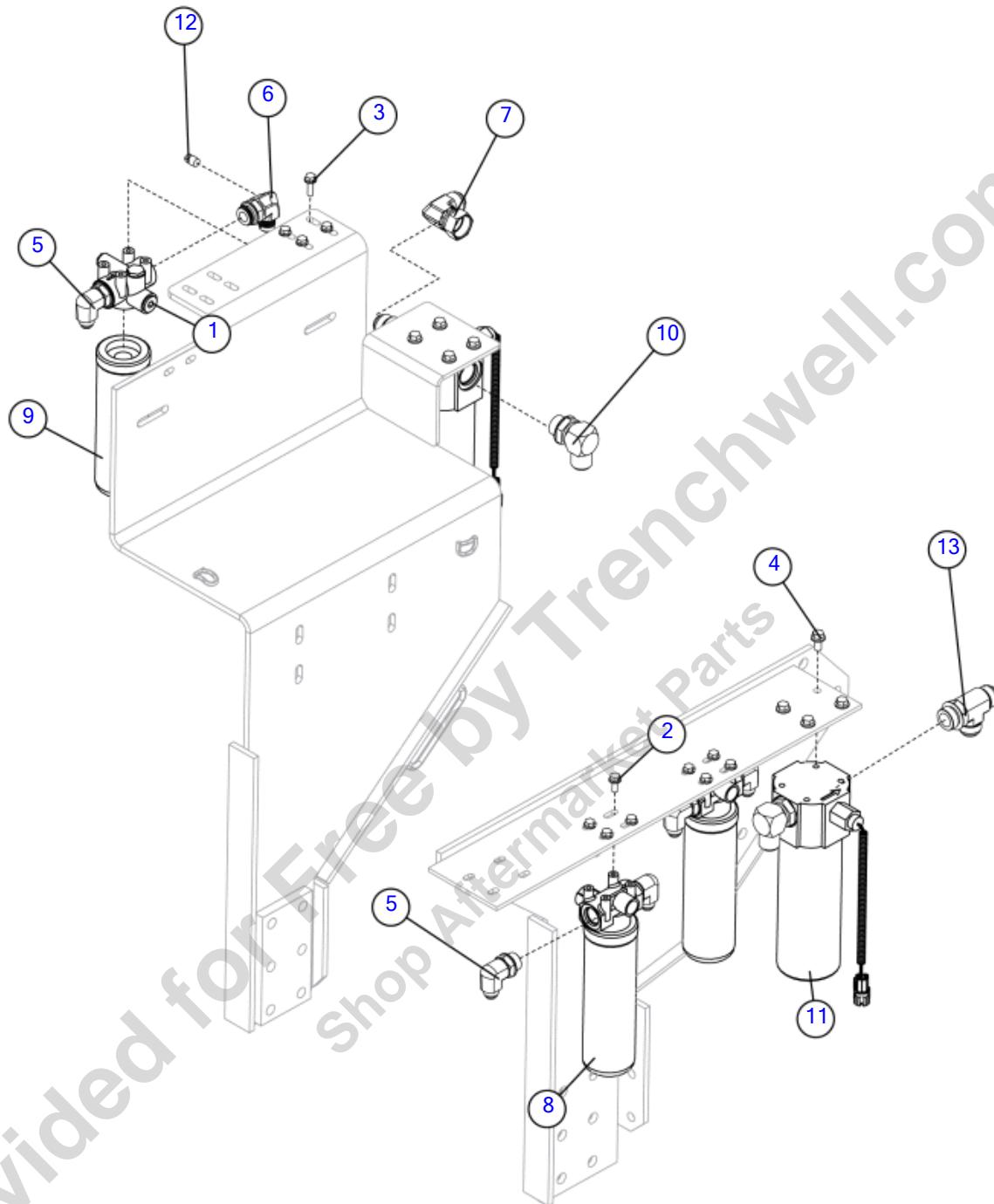


Illustration No.112352001-Not For Ordering

Remote Hydraulic Filter-Tier 3

Fig 06-15

REF NO.	PART NO.	DESCRIPTION	QTY.	REMARKS
1	163632184	HEAD-M3K 50 PSI BYPASS	1	
2	296300762	SCREW HFS .31 - 18 X .75 GR8	8	
3	296300763	SCREW,HFS,.31,18X1.00,GR8	4	
4	296300771	SCREW-HFS-.38-16X.75GR8	8	
5	59409001	ELBOW-10M JICX12M ADJ. 90 DEG	5	
6	271219001	FITTING-90-10MJ-12MORBA-P6-4FP	1	
6	(60118001)	FITTING-PRESSURE CHECK	1	
7	60905001	ELBOW-16M JICX16FS JIC 90 DEG	1	
8	609136001	FILTER HYD 9.5in ELEMENT WITH HEAD	2	
9	609136003	ELEMENT - 9.5" HYDRAULIC FILTER	1	
10	61703001	FITTING-90-16MJ-16MORBA	2	
11	635205140	INDICATOR ASSEMBLY-HYD 30P210 FILTER/PRESSURE	2	Breakdown Fig. 6-16T01
12	732003	PLUG 1/4in PIPE PLUG BLACK STEEL	1	
13	94565001	TEE-16MJICX16MOR RUNX16MJIC	2	

Provided for Free by Trenchwell.com
Shop Aftermarket Parts

Remote Hydraulic Filter-Tier 4 Final (SN 550-560)

Fig 06-16

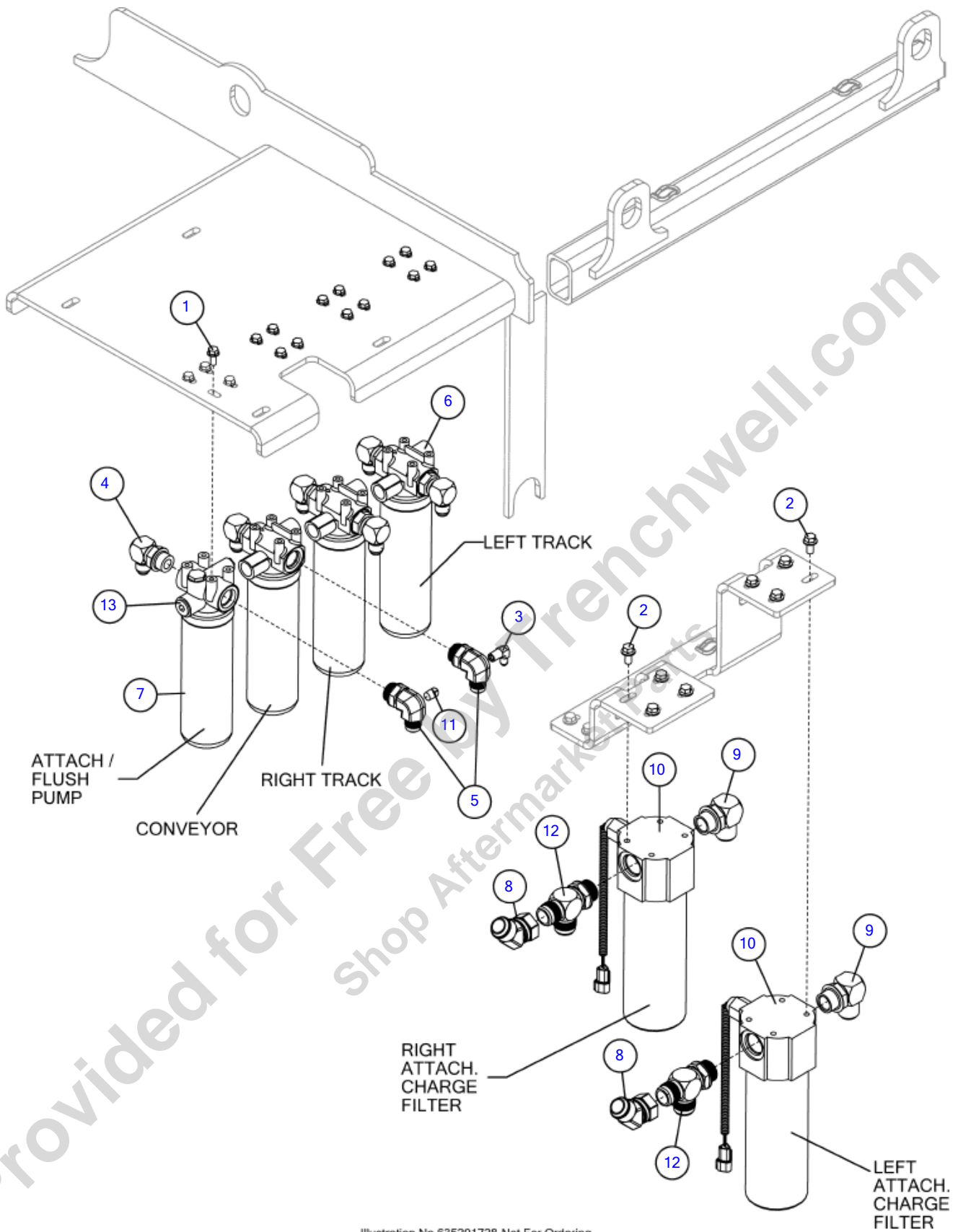


Illustration No.635201728-Not For Ordering

Remote Hydraulic Filter-Tier 4 Final (SN 550-560)

Fig 06-16

REF NO.	PART NO.	DESCRIPTION	QTY.	REMARKS
1	4474006	BOLT-5/16-18X3/4 FLANGE WHIZ	16	
2	4475006	BOLT-3/8-16X3/4 FLG WHIZ	8	
3	56647001	FITTING-1/4MX4M JIC 90 DEG.	1	
4	59409001	ELBOW-10M JICX12M ADJ. 90 DEG	6	
5	60118003	FITTING ASSY-PRESSURE CHECK	2	
5	(60118001)	FITTING-PRESSURE CHECK	2	
6	609136001	FILTER HYD 9.5in ELEMENT WITH HEAD	3	Includes Ref.7
7	609136003	ELEMENT - 9.5" HYDRAULIC FILTER	1	
8	61702001	FITTING-16M JIC X 16FS JIC 45	2	
9	61703001	FITTING-90-16MJ-16MORBA	2	
10	620317001	FILTER ASSY	2	Breakdown Fig.6-16T01
11	732003	PLUG 1/4in PIPE PLUG BLACK STEEL	1	
12	94565001	TEE-16MJICX16MOR RUNX16MJIC	2	
13	163632184	HEAD-M3K 50 PSI BYPASS	1	Includes Ref.7

Provided for Free by Trenchwell.com
Shop Aftermarket Parts

Remote Hydraulic Filter-Tier 4 (SN 561-)

Fig 06-16R01

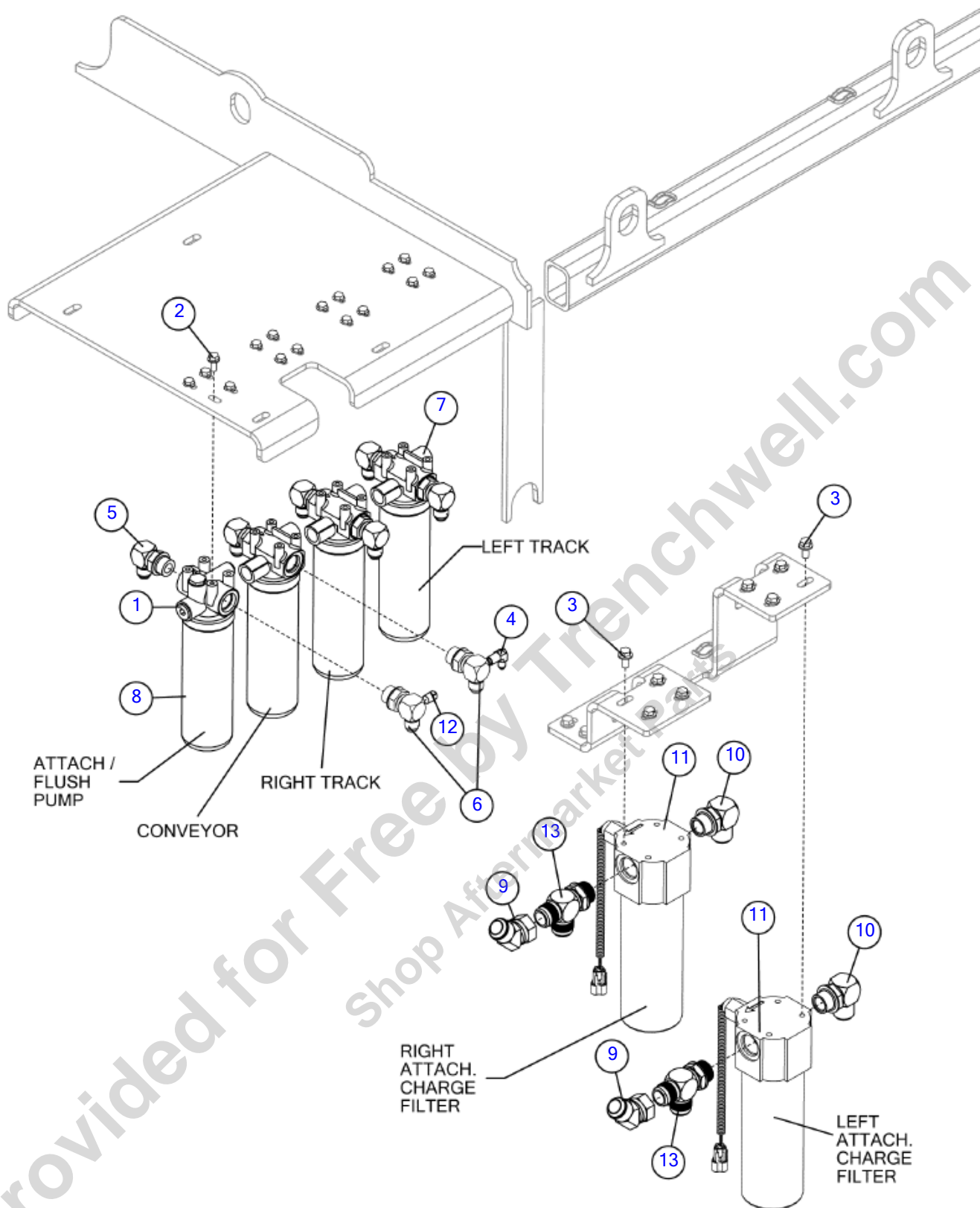


Illustration No.635201728 - Not For Ordering

Remote Hydraulic Filter-Tier 4 (SN 561-)

Fig 06-16R01

REF NO.	PART NO.	DESCRIPTION	QTY.	REMARKS
1	163632184	HEAD-M3K 50 PSI BYPASS	1	Inc. Ref. 8
2	296300762	SCREW HFS .31 - 18 X .75 GR8	16	
3	296300771	SCREW-HFS-.38-16X.75GR8	8	
4	56647001	FITTING-1/4MX4M JIC 90 DEG.	1	
5	59409001	ELBOW-10M JICX12M ADJ. 90 DEG	6	
6	271219001	FITTING-90-10MJ-12MORBA-P6-4FP	2	
7	609136001	FILTER HYD 9.5in ELEMENT WITH HEAD	3	Inc. Ref. 8
8	609136003	ELEMENT - 9.5" HYDRAULIC FILTER	1	
9	61702001	FITTING-16M JIC X 16FS JIC 45	2	
10	61703001	FITTING-90-16MJ-16MORBA	2	
11	635205140	INDICATOR ASSEMBLY-HYD 30P210 FILTER/PRESSURE	2	Breakdown Fig. 6-16T01
12	732003	PLUG 1/4in PIPE PLUG BLACK STEEL	1	
13	94565001	TEE-16MJICX16MOR RUNX16MJIC	2	

Provided for Free by Trenchwell.com
Shop Aftermarket Parts

Breakdown-Filter (SN 261-)

Fig 06-16T01

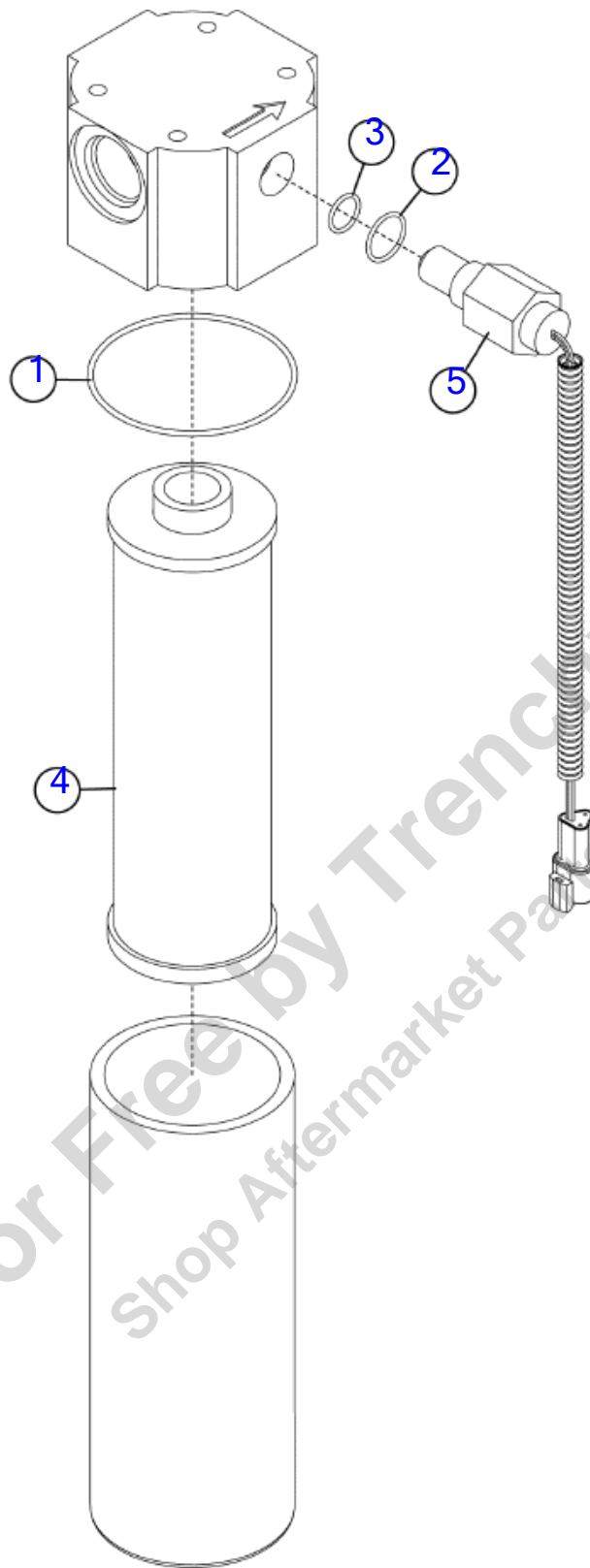


Illustration No.635205140 - Not For Ordering

Breakdown-Filter (SN 261-)

Fig 06-16T01

REF NO.	PART NO.	DESCRIPTION	QTY.	REMARKS
1	622229001	ORING	1	
2	622744001	ORING	1	
3	622745001	O-RING	1	
4	635205007	ELEMENT-FILTER-HYD	1	
5	622738001	INDICATOR-HYDRAULIC PRESSURE	1	
	86318001	LOOM-FLEX GARD HI TEMP 1/4 ID	1	
	620310001	RECEPTACLE-3 PINS W/RDS	1	
	125282001	3 CONTACT RECEPTACLE - WEDGE LOCK	1	
	94201001	PLUG - SEALING 12-16	1	
	87696001	CONTACT PIN - SIZE 16, SOLID	1	
	635205140	INDICATOR ASSEMBLY-HYD 30P210 FILTER/PRESSURE	A/R	Includes Refs.1 - 5

Provided for Free by Trenchwell.com
Shop Aftermarket Parts

Auxiliary Lock Valve

Fig 06-17

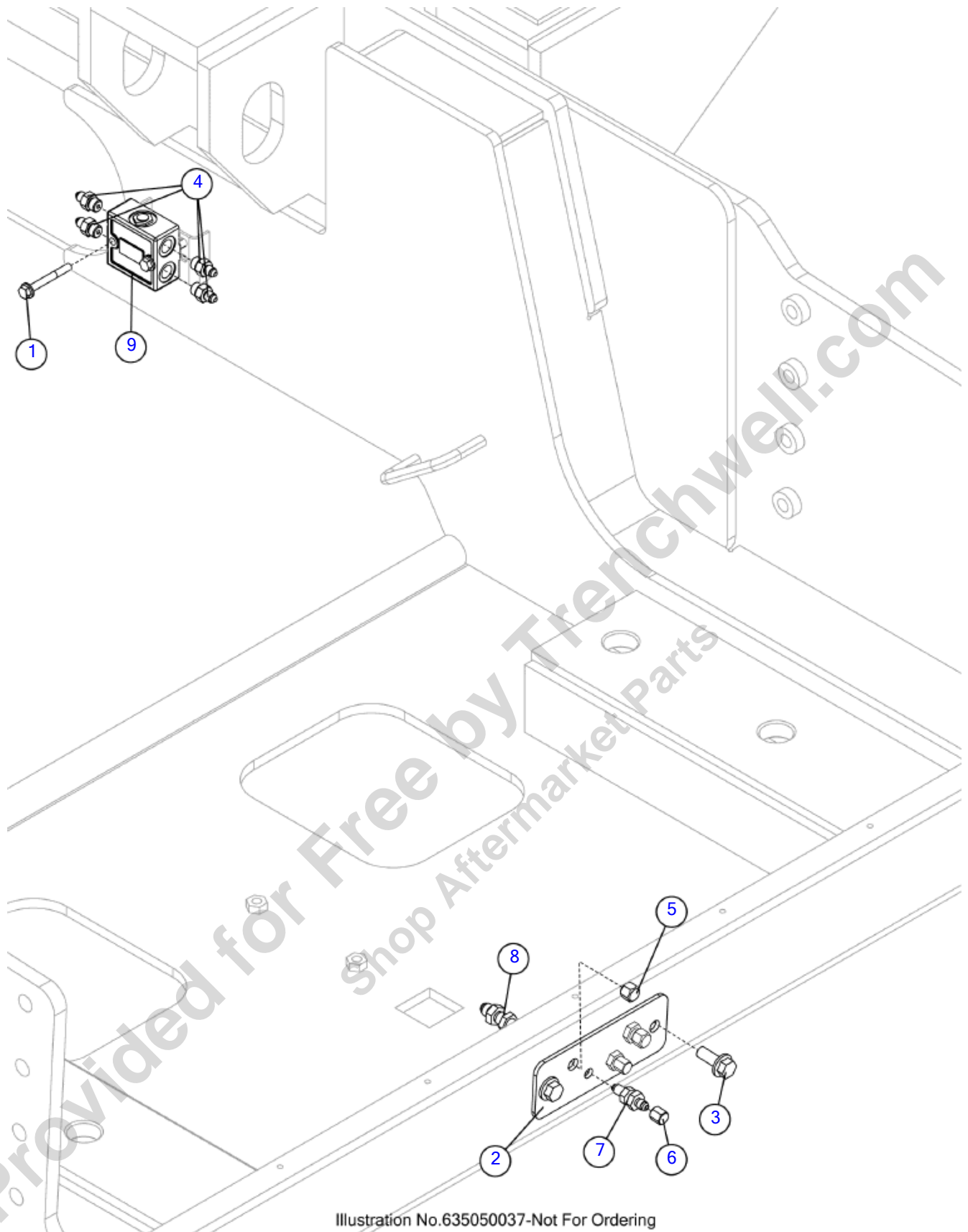


Illustration No.635050037-Not For Ordering

Auxiliary Lock Valve

Fig 06-17

REF NO.	PART NO.	DESCRIPTION	QTY.	REMARKS
1	296300769	SCREW-HFS-.31-18X2.50-GR8-YZ	2	
2	116909001	PLATE - BULKHEAD	1	
3	296300789	SCREW-HFS-.50-13X1.25-GR8	2	
4	57968001	FITTING-STR-4MJ-6MORB	4	
5	59403001	CAP NUT - 6 JIC	2	
6	61664001	CAP NUT 4 JIC	2	
7	65564001	FITTING - 4M JIC BULKHEAD ST.	2	
8	79475001	FITTING-6M BULKHEAD JIC ST.	2	
9	86668001	VALVE-LOA-6-D	1	
	3216003	REPAIR KIT GRESEN K-26004	1	
	3216005	REBUILDING KIT-D GRSN K-26002	1	

Provided for Free by Trenchwell.com
Shop Aftermarket Parts

Two-Speed Brake Valve

Fig 06-18

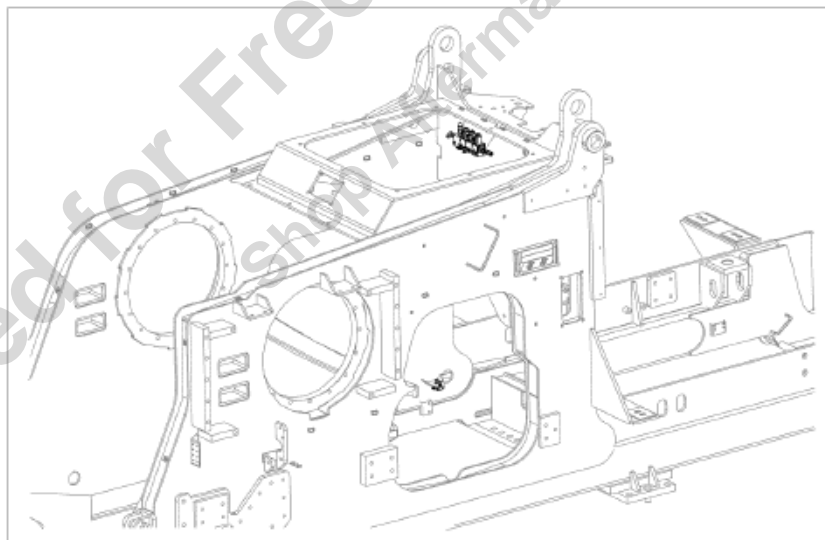
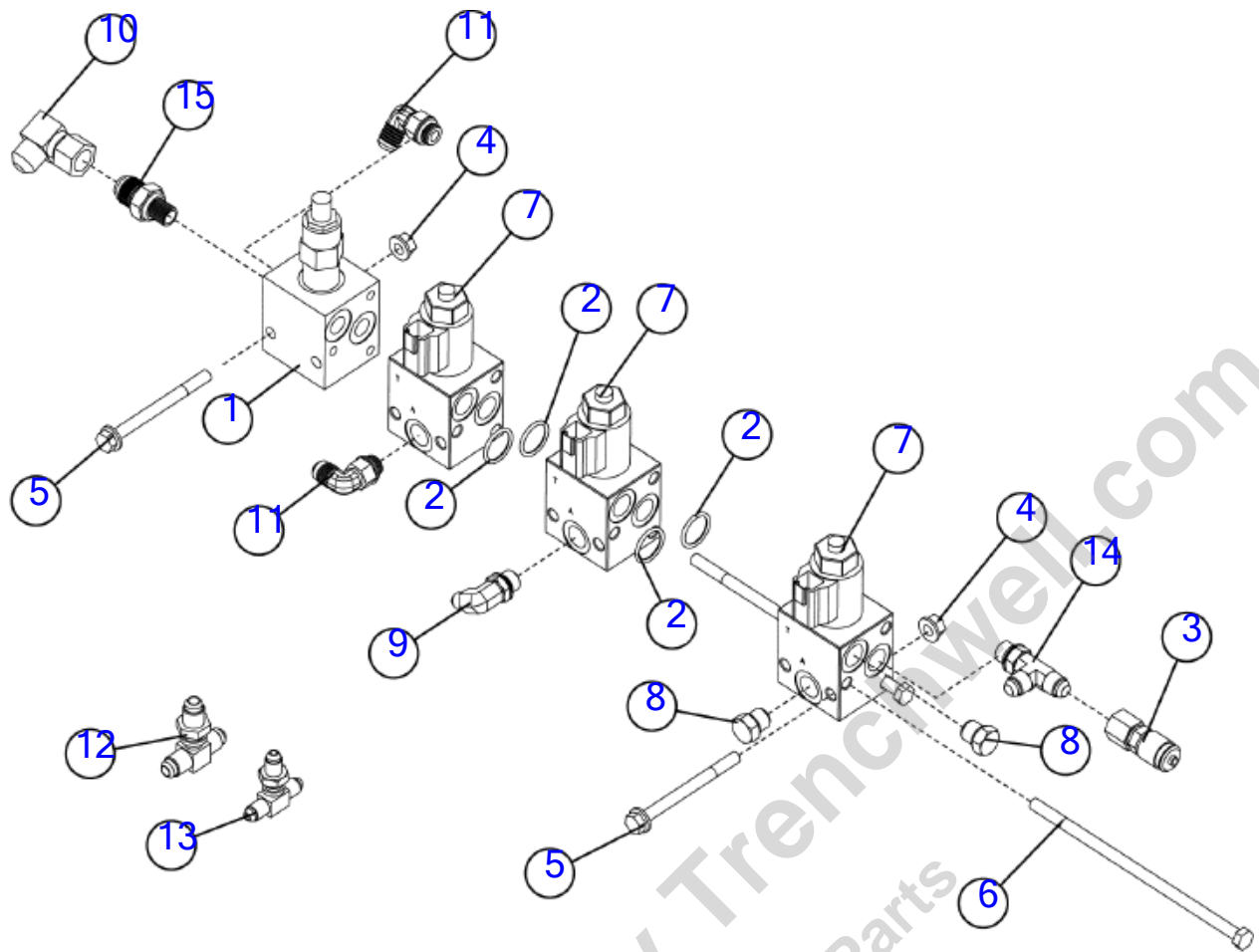


Illustration No. 635050025 - Not For Ordering

Two-Speed Brake Valve

Fig 06-18

REF NO.	PART NO.	DESCRIPTION	QTY.	REMARKS
1	110467001	VALVE-PRESSURE REDUCING	1	Inc. Ref. 2
	110467007	CARTRIDGE	1	Inc. Coil
	110467003	SEAL KIT	1	
2	110468007	ORING	6	
3	296280278	FITTING - TEST - 6FSJ - 16MTP WITH ORING	1	
4	296300849	NUT-HEXFLGTL-.31-18-G	2	
5	296300948	SCREW - HFS - .31 - 18 X 3.50 - GR8-YZ	2	
6	351074	BOLT-5/16-18X7 1/2 GR.5 HEX HD	3	
7	404898001	VALVE - 3 WAY/2 POS/24VDC	3	
	406294001	CARTRIDGE (WITH COIL)	1	
	406293001	COIL	1	
	110468003	SEAL KIT	1	
8	5553001	FITTING - PLUG - 6MORB - HEX	2	
9	57950001	FITTING - 90-6MORBA-4MJ	1	
10	59405001	FITTING-8M JICX8FS JIC 90 DEG.ELBOW	1	
11	59426001	FITTING-90-6MJ-6MORB	2	
12	60726001	TEE-6M JIC BULKHEAD	1	
13	60926001	FITT.-4JIC BULKHEAD BRANCH TEE	1	
14	68774001	FITTING-6MX6M JIC (RUN)X6M JIC	1	
15	86235001	FITTING-6M ORING X 8M JIC STR.	1	

Control Valve

Fig 06-19

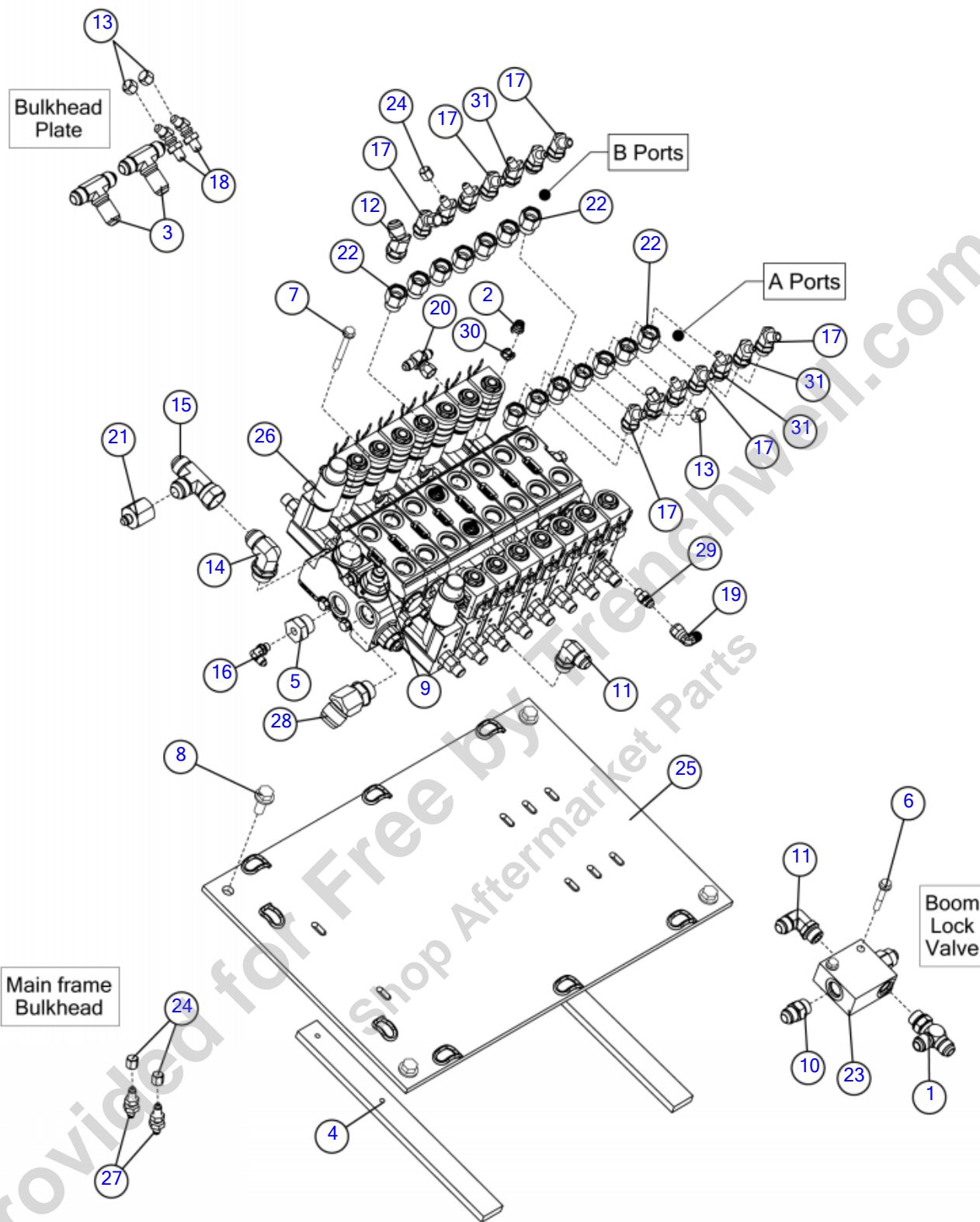


Illustration No.635050026 - Not For Ordering

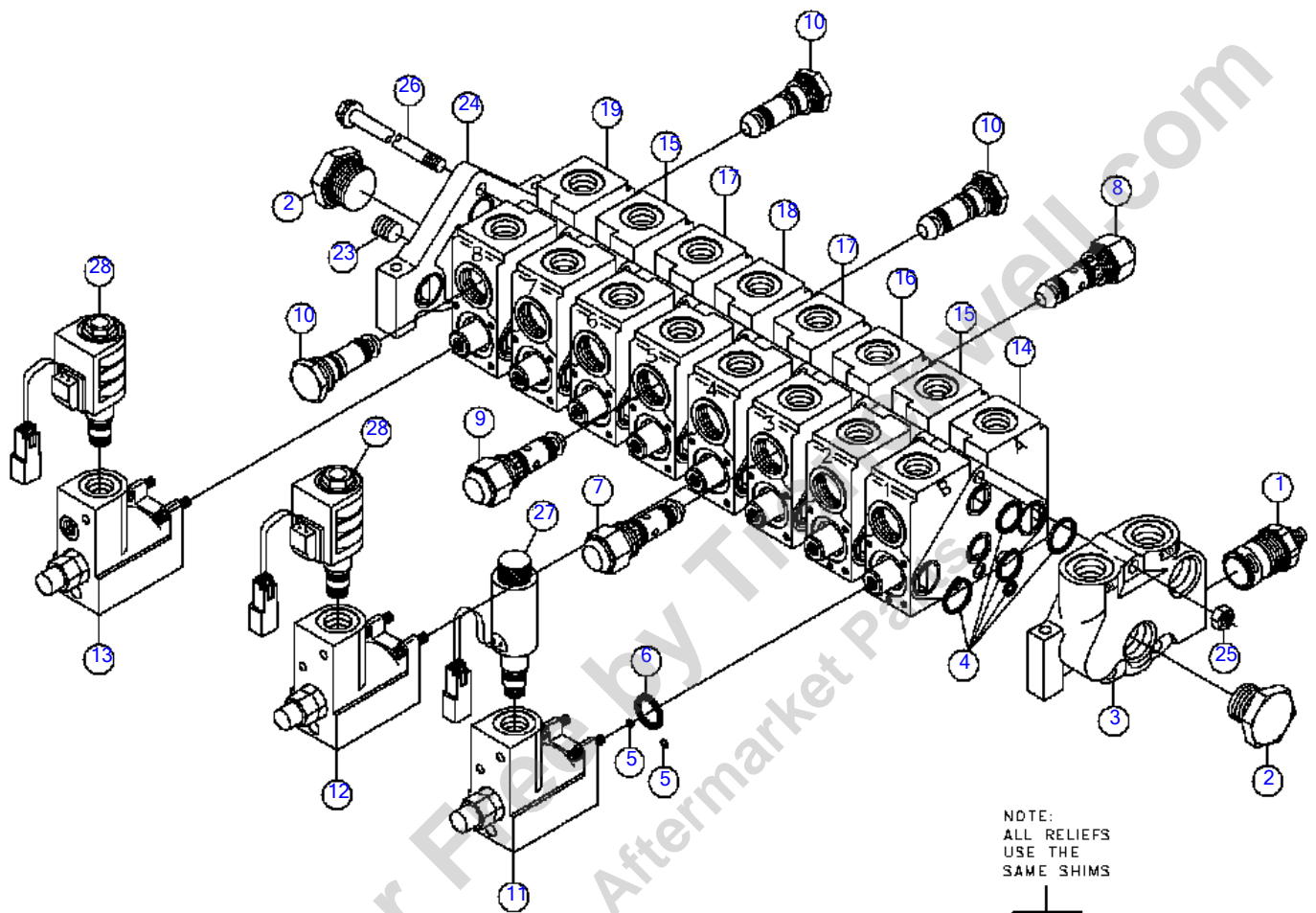
Control Valve

Fig 06-19

REF NO.	PART NO.	DESCRIPTION	QTY.	REMARKS
1	100873001	FITTING-10MX10MJIC RUN TEE	1	
2	10866027	SPRING-10064-001	3	
3	111476001	FITTING-10MX10MX10M BRANCH TEE	2	
4	112699001	BAR - NUT	2	
5	120890001	FITTING-STR-12MORB-4FORB	1	
6	296300767	SCREW HFS .31 - 18 X 2.00 GR8 YZ	2	
7	296300770	SCREW HFS .31 18 X 3.00 GR8 YZ	3	
8	296300789	SCREW-HFS-.50-13X1.25-GR8	4	
9	53825001	FITTING-#12M O-RING-#8M JIC ST.	1	
10	53827001	FITTING - 10M O-RING X 10M JIC ST.	1	
11	53829001	FITTING-#10M O-RING-#10M JIC 90 DEG.	2	
12	56725001	FITTING-10M X 10M JIC 45 DEG.	1	
13	59403001	CAP NUT - 6 JIC	4	
14	59410001	FITTING-90-12MJ-12MORBA	1	
15	59417001	TEE-12 JIC SW RUN	1	
16	59423001	FITTING-90-4MORBA-4MJ	2	
17	59425001	FITTING-6M JICX8M ADJ.45 ELBOW	6	
18	60728001	FITTING - 6MJIC X 45 BULK ELBOW	2	
19	60851001	FITTING-6M JICX6FS JIC 90ELBOW	1	
20	60852001	TEE-6M JICX6FS JIC SWIV.NUT B	1	
21	60909001	ADAPTER-6M JICX12F JIC ST	1	
22	60930001	REDUCER-10MX8F ST.SOLID	14	
23	612871001	VALVE-COUNTERBALANCE T2A/STEEL	1	
	618099001	CARTRIDGE-VALVE	1	Body & Cartridge
	608563001	SEAL KIT-VALVE	1	Cartridge Only
24	61664001	CAP NUT 4 JIC	4	
25	622148001	PLATE-VALVE BASE	1	
26	627211001	VALVE-V20 8 SECTION W/DIODE SUPPRESSION	1	Breakdown Fig. 6-19T01
27	65564001	FITTING - 4M JIC BULKHEAD ST.	2	
28	65568001	FITTING-45-16MJ-12MORBA	1	
29	65569001	FITTING STR 6MJ - 4MORB	2	
30	76818001	RESTRICTOR-10M (MODIFIED)	3	
31	82932001	FITTING-8MX4M JIC 45DEG ELBOW	8	

Breakdown-8 Spool Control Valve

Fig 06-19T01



Breakdown-8 Spool Control Valve
Fig 06-19T01

REF NO.	PART NO.	DESCRIPTION	QTY.	REMARKS
1	506298276	CARTRIDGE - RELIEF RP51A	1	3500PSI
	95695005	REPAIR KIT-MAIN RELIEF	1	
2	163622263	SAE 12 PLUG	2	
3	621511001	COVER ASSY-LEFT	1	Inc Ref 1&2
4	87390001	REPAIR KIT-LOAD SENSING SECT.	9	
5	100486021	SEAL ORING	32	
6	793017	ORING	16	
7	51144001	RC PORT RELIEF-2000 PSI G2000	1	
	3159005	REPAIR KIT GRESEN K-6005	A/R	
8	629051001	RELIEF-RC-L/CK	1	
	3159005	REPAIR KIT GRESEN K-6005	A/R	
9	296271103	RC RELIEF CARTRIDGE	1	
	3147037	REPAIR KIT GRESEN K-6032	A/R	
10	3147035	PLUG-LOAD CHECK STEEL K-6030	13	
	3147037	REPAIR KIT GRESEN K-6032	A/R	
11	112700027	POSITIONER SOLENOID (A PORT)	1	
	112700029	POSITIONER SOLENOID (B PORT)	1	
12	407014001	VALVE V20 SOLENOID POSITIONER	6	
	407004001	SPOOL ACTUATOR	6	
13	119728019	POSITIONER SOLENOID	1	
	119728021	POSITIONER SOLENOID	1	
14	629052001	BODY-CENTER SECTION (COMPLETE)	1	Inc Ref 5,6,10,11
15	629053001	BODY-CENTER SECTION (COMPLETE)	2	Inc Ref 5,6,10,12
16	629054001	BODY-CENTER SECTION (COMPLETE)	1	Inc Ref 5,6,7,8,12
17	629055001	BODY-CENTER SECTION (COMPLETE)	2	Inc Ref 5,6,10,12
18	629056001	BODY-CENTER SECTION (COMPLETE)	1	Inc Ref 5,6,8,9,12
19	629057001	BODY-CENTER SECTION (COMPLETE)	1	Inc Ref 5,6,10,13
20	208015	SHIM - .040 #0458-001	A/R	
21	208019	SHIM - .010 #0462-001	A/R	
22	208017	SHIM - .020 #0459-001	A/R	
23	3213017	PLUG-RELIEF 3/8" GRESEN 73-001	1	
24	621516001	COVER ASSY-RIGHT	1	Inc Ref 2,23
25	446001	NUT-3/8 NF HEX	3	
26	51120001	STUD KIT-8 SPOOL GRN #K-6111	1	Inc Ref 25
27	629058001	SOLENOID CARTRIDGE (COMPLETE)	2	
	629060001	CARTRIDGE KIT	A/R	Inc Seal Kit
	629061001	SEAL KIT	A/R	
	629062001	COIL KIT	A/R	
28	629059001	SOLENOID CARTRIDGE (COMPLETE)	14	
	629063001	CARTRIDGE KIT	A/R	Inc Seal Kit
	629061001	SEAL KIT	A/R	
	629064001	COIL KIT	A/R	
	627211001	VALVE-V20 8 SECTION W/DIODE SUPPRESSION	A/R	Refer To Fig.6-19

Attachment Manifold

Fig 06-20

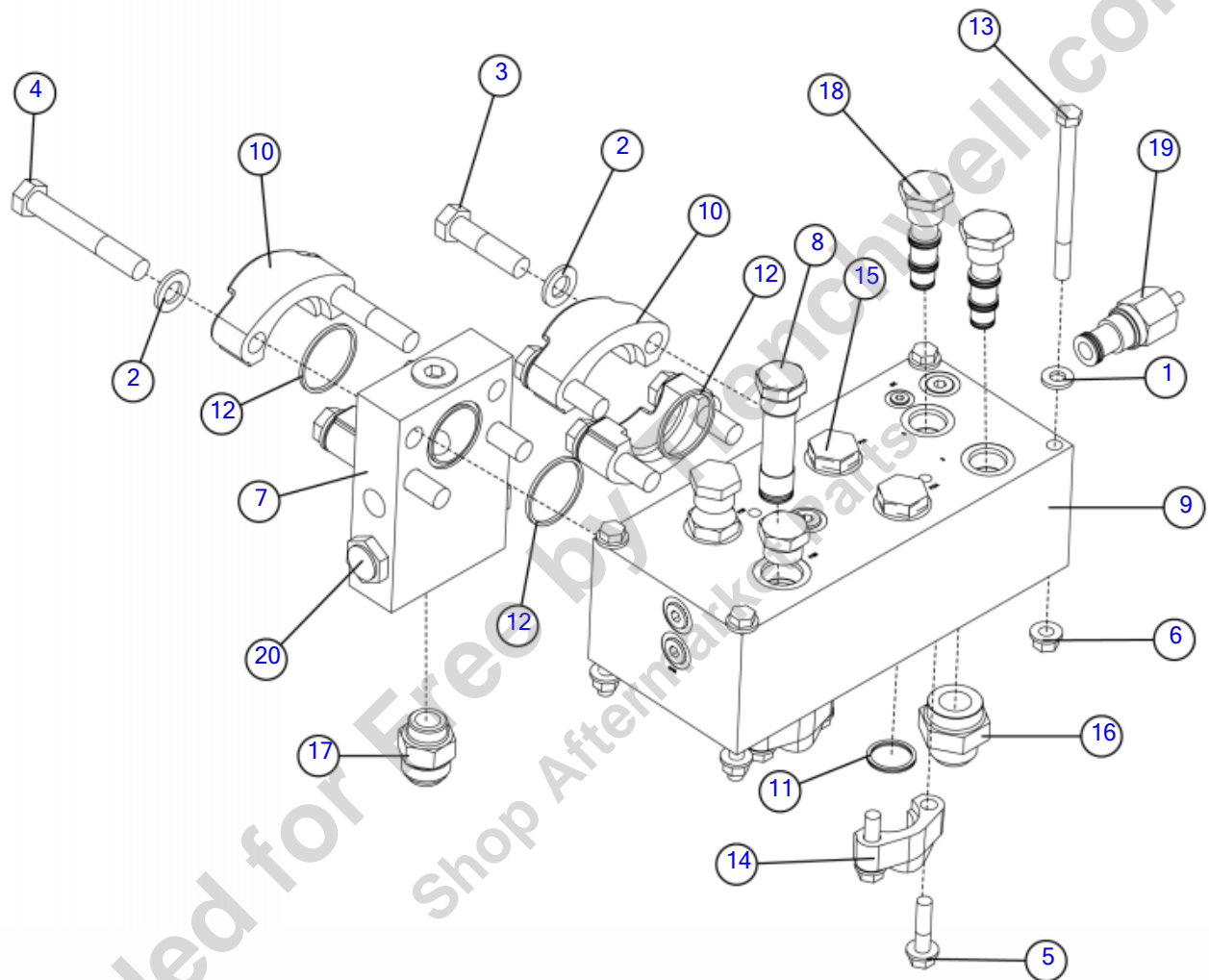


Illustration No. 635050028-Not For Ordering

Attachment Manifold

Fig 06-20

REF NO.	PART NO.	DESCRIPTION	QTY.	REMARKS
1	127362001	WASHER-1/2 HARD.FLAT	4	
2	235717001	WASHER - 3/4" HARDENED FLAT	8	
3	238242001	BOLT 3/4"-10 X 3" GR8 HEX	4	
4	240340001	BOLT-3/4-10X5 GR8	4	
5	296300792	SCREW-HFS-.50-13X2.00-GR8	16	
6	296300851	NUT-HEXFLGTL-.50-13-G	4	
7	601443001	VALVE-BLOCK - BOOST W/CHECK	1	Inc Ref 20
8	611485001	PLUG-SAE#16 BLOCKING PORT	1	Service Item Only
	81580001	O-RING # AS-916-090	1	
	622179001	WASHER-BACKUP	1	
	622178001	O-RING	1	
9	621077001	VALVE BLOCK- ASSEMBLY	1	Inc Ref 15, 18, 19
10	72108001	FLANGE-2 IN. H.D. CODE 62	4	
11	72896001	O RING-SQ. #20 FLANGE	4	
12	72898001	O RING-SQ. #32 FLANGE	3	
13	75381064	BOLT-HEX 1/2-13X6 1/2 GR 8	4	
14	78060001	FLANGE- 20 CODE 62	8	
15	81214001	PLUG- 16M	3	
16	85660001	FITTING-24MORINGX20M JIC STR.	1	
17	86320001	FIT-ADAPT 16M ORINGX20MJIC STR	1	
18	202735001	VALVE-SHUTTLE K3A125-N	2	
	616027001	O-RING	1	
	616023001	SEAL KIT-SHUTTLE VALVE	1	
	(77961005)	REPAIR KIT-SHUTTLE VALVE	1	
19	616024001	VALVE RELIEF	1	
	616025001	SEAL KIT-RELIEF VALVE	1	
20	296289910	VALVE-CHECK - D06B2P-0.1N	1	
	616025001	SEAL KIT-RELIEF VALVE	1	
	(296278242)	SEAL KIT	1	

Hydraulic Manifold-Tier 3

Fig 06-21

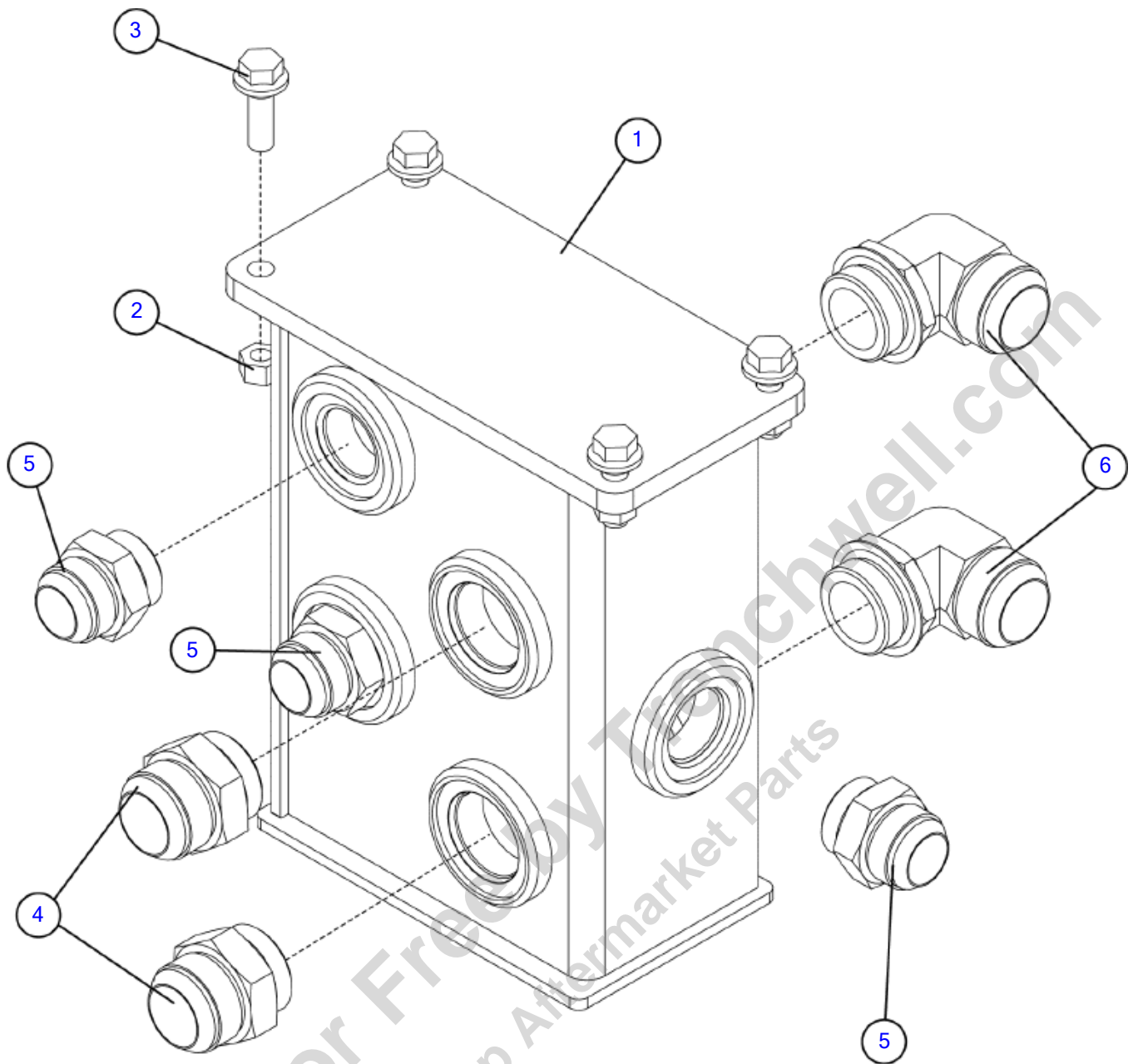


Illustration No. 635050031 - Not For Ordering

Hydraulic Manifold-Tier 3

Fig 06-21

REF NO.	PART NO.	DESCRIPTION	QTY.	REMARKS
1	113071001	MANIFOLD-HYDRAULIC	1	
2	250512001	NUT- 1/2 NC Gr8 TOP LOCK	4	
3	296300790	SCREW HFS .50 13X1.50 GR8	4	
4	600067001	FITTING - STR - 24MJ - 24MORB	2	
5	70006001	FITTING-20M X 20 M JIC STR.	3	
6	81921001	FITTING-24MX24M JIC 90 DEG.	2	

Provided for Free by Trenchwell.com
Shop Aftermarket Parts

Hydraulic Manifold-Tier 4

Fig 06-21X01

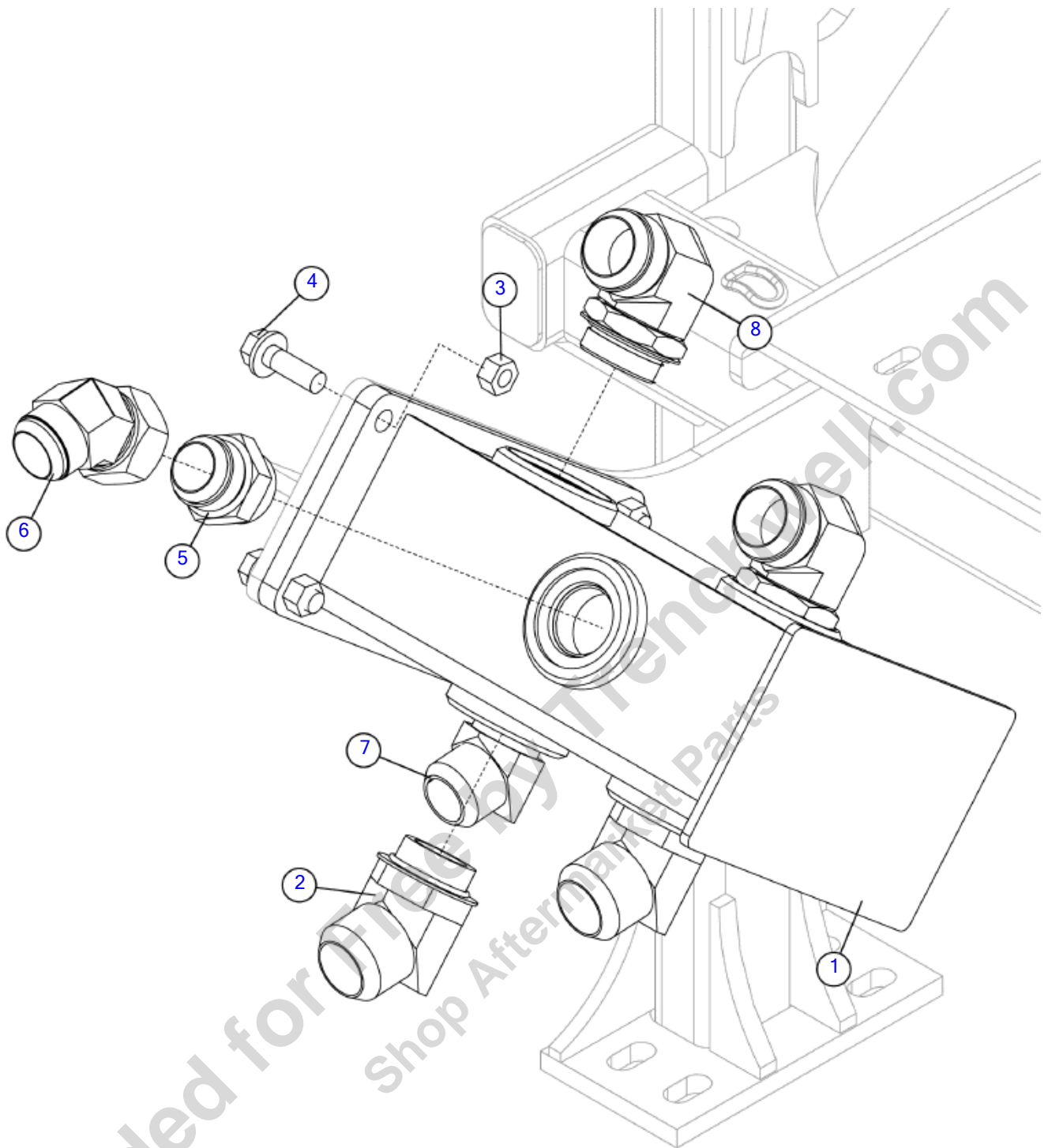


Illustration No.635201771-Not For Ordering

Hydraulic Manifold-Tier 4

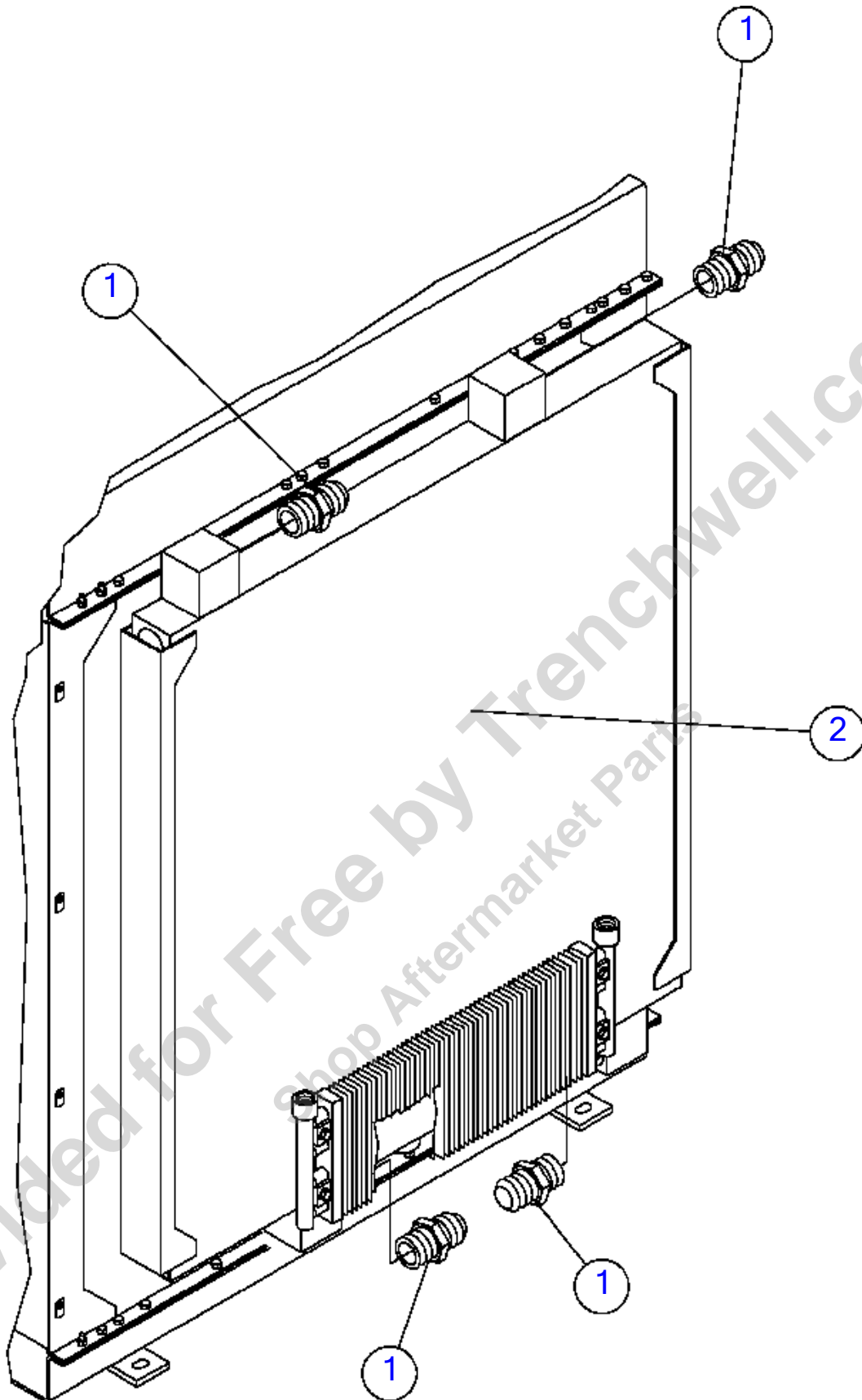
Fig 06-21X01

REF NO.	PART NO.	DESCRIPTION	QTY.	REMARKS
1	113071001	MANIFOLD-HYDRAULIC	1	
2	130640001	FITTING-24MJICX24M ORING 45DEG	2	
3	250512001	NUT- 1/2 NC Gr8 TOP LOCK	4	
4	296300790	SCREW HFS .50 13X1.50 GR8	4	
5	70006001	FITTING-20M X 20 M JIC STR.	1	
6	70007001	FITTING-20 M JICX20FS JIC 45	1	
7	81703001	FITTING-20M ORBA X 20M JIC 45 DEG.EL.	2	
8	81921001	FITTING-24MX24M JIC 90 DEG.	2	

Provided for Free by Trenchwell.com
Shop Aftermarket Parts

Oil Cooler-Tier 3

Fig 06-22



Oil Cooler-Tier 3

Fig 06-22

REF NO.	PART NO.	DESCRIPTION	QTY.	REMARKS
1	600067001	FITTING - STR - 24MJ - 24MORB	4	
2	622030001	COOLER OIL	1	

Provided for Free by Trenchwell.com
Shop Aftermarket Parts

Oil Cooler-Tier 4 Final

Fig 06-23

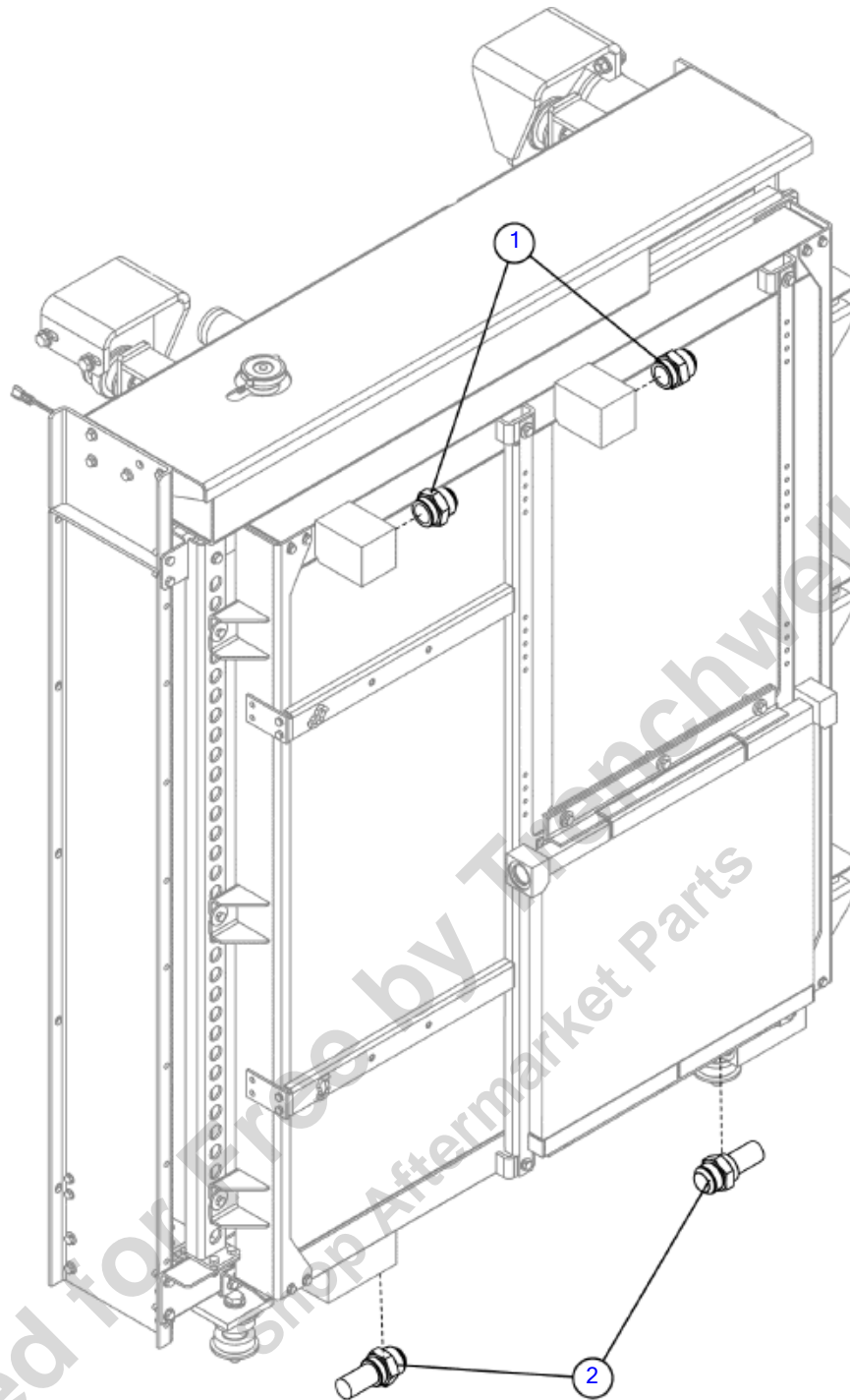


Illustration No.635041001-Not For Ordering

Oil Cooler-Tier 4 Final

Fig 06-23

REF NO.	PART NO.	DESCRIPTION	QTY.	REMARKS
1	600067001	FITTING - STR - 24MJ - 24MORB	2	
2	611623001	FITTING- 24MOR X 24MJIC FILTER	2	

Provided for Free by Trenchwell.com
Shop Aftermarket Parts

Cylinder-Boom Lift (SN 550-574)

Fig 06-24

97871450 00

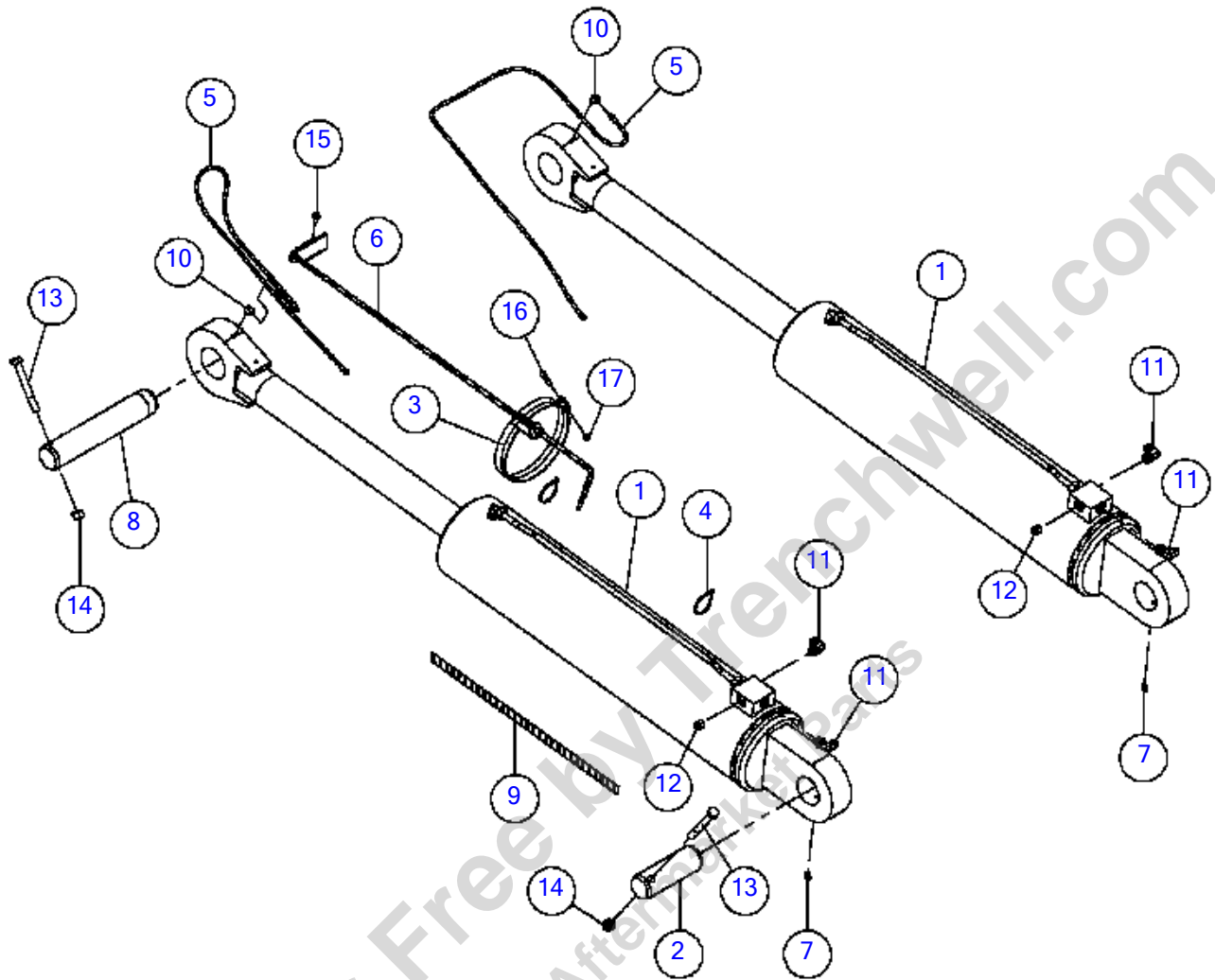


Illustration No: 124282001 - Not For Ordering

Cylinder-Boom Lift (SN 550-574)

Fig 06-24

REF NO.	PART NO.	DESCRIPTION	QTY.	REMARKS
1	635215363	CYLINDER -HYDRAULIC-9.00 X 32.00 X 4.00	2	Breakdown, Fig.6-24T01
1	(612952001)	CYLINDER - 9 X 32 X 4 ROD	2	Breakdown, Fig.6-24T01
2	627621001	PIN-3 DIA HEAT TREAT	2	
3	634464001	GUIDE-DEPTH GAUGE (10 INCH)	1	
4	59634001	SINGLE NYTIE - 8"	4	
5	59245019	HOSE-1/8X66 1/8NPT M&M 100R7	2	
6	623783001	GAUGE-DEPTH	1	
7	590001	ZERK 1/8 NPT 90 DEG GREASE	2	
8	627620001	PIN-3 DIA HEAT TREAT	2	
9	2326142	DECAL-INDICATOR	1	
10	4017001	FITTING-3400 X 2 WTHR-HD	2	
11	53829001	FITTING-#10M O-RING-#10M JIC 90 DEG.	4	
12	266745001	PLUG - HEX - 10M - HOLLOW HEX	2	
13	385060	BOLT-3/4-10X6 GRADE 8 HEX	4	
14	397001	NUT-3/4-10 GR 8 SLTL	4	
15	4475006	BOLT-3/8-16X3/4 FLG WHIZ	1	
16	510302024	SCREW HCS .38 16 X 2.50 GR5 YZ	1	
17	510315501	NUT-TLHEX-.38-16-B-YZ	1	

Provided for Free by Trenchwell.com
Shop Aftermarket Parts

Cylinder-Boom Lift (SN 575-576)

Fig 06-24R01

REF NO.	PART NO.	DESCRIPTION	QTY.	REMARKS
1	2326142	DECAL-INDICATOR	1	
2	266745001	PLUG - HEX - 10M - HOLLOW HEX	2	
3	385060	BOLT-3/4-10X6 GRADE 8 HEX	4	
4	397001	NUT-3/4-10 GR 8 SLTL	4	
5	4017001	FITTING-3400 X 2 WTHR-HD	2	
6	4475006	BOLT-3/8-16X3/4 FLG WHIZ	1	
7	510302024	SCREW HCS .38 16 X 2.50 GR5	1	
8	510315501	NUT-TLHEX-.38-16-B	1	
9	53829001	FITTING-#10M O-RING-#10M JIC 90 DEG.	4	
10	590001	ZERK 1/8 NPT 90 DEG GREASE	2	
11	59245019	HOSE-1/8X66 1/8NPT M&M 100R7	2	
12	59634001	SINGLE NYTIE - 8"	4	
13	635215363	CYLINDER -HYDRAULIC-9.00 X 32.00 X 4.00	2	Breakdown Fig. 6-24t01
14	623783001	GAUGE-DEPTH	1	
15	627620001	PIN-3 DIA HEAT TREAT	2	
16	627621001	PIN-3 DIA HEAT TREAT	2	
17	634464001	GUIDE-DEPTH GAUGE (10 INCH)	1	

Provided for Free by Trenchwell.com
Shop Aftermarket Parts

Cylinder-Boom Lift (SN 577-)

Fig 06-24R02

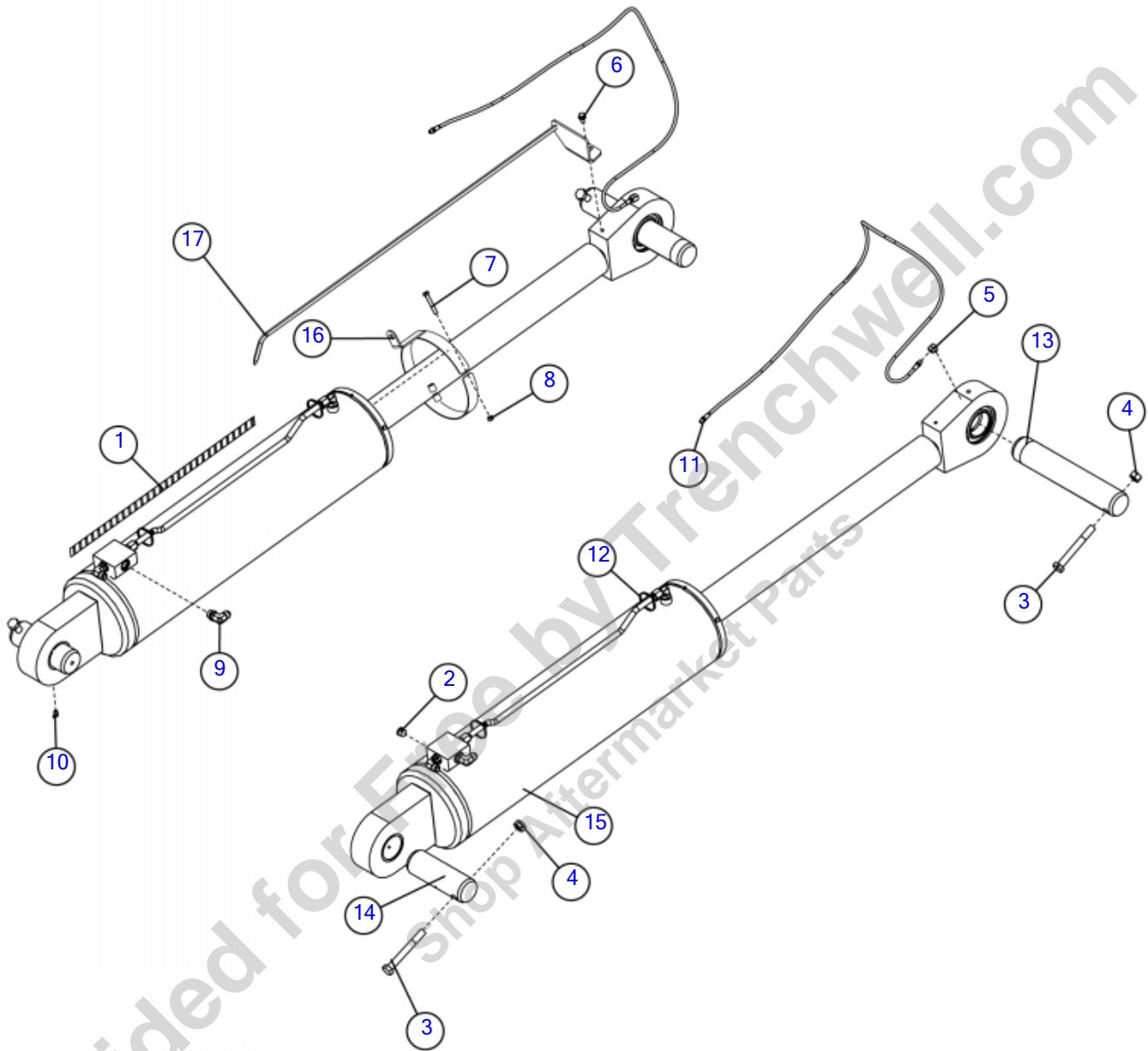


Illustration No. 124282001-Not For Ordering

Cylinder-Boom Lift (SN 577-)

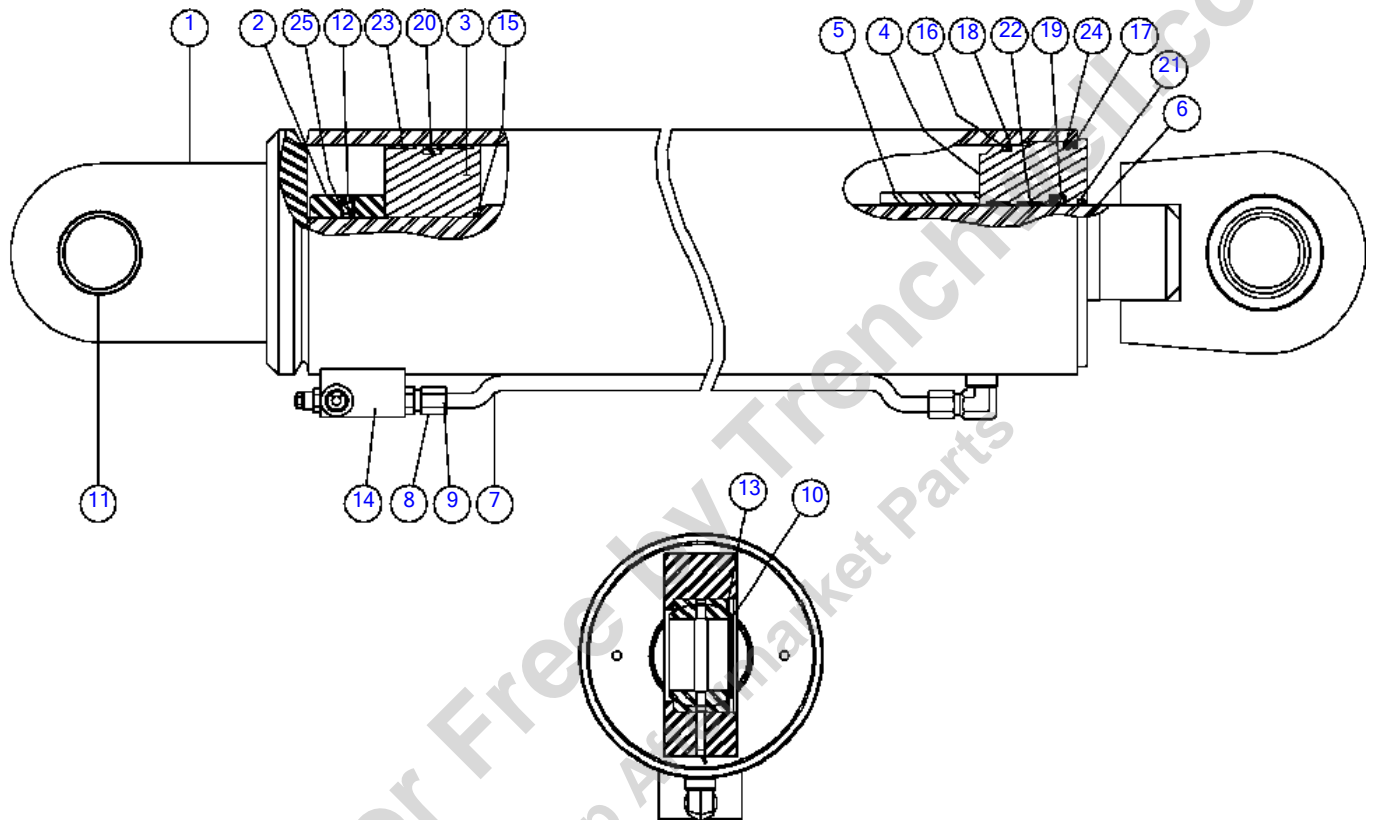
Fig 06-24R02

REF NO.	PART NO.	DESCRIPTION	QTY.	REMARKS
1	2326142	DECAL-INDICATOR	1	
2	266745001	PLUG - HEX - 10M - HOLLOW HEX	2	
3	385060	BOLT-3/4-10X6 GRADE 8 HEX	4	
4	397001	NUT-3/4-10 GR 8 SLTL	4	
5	4017001	FITTING-3400 X 2 WTHR-HD	2	
6	4475006	BOLT-3/8-16X3/4 FLG WHIZ	1	
7	510302024	SCREW HCS .38 16 X 2.50 GR5	1	
8	510315501	NUT-TLHEX-.38-16-B	1	
9	53829001	FITTING-#10M O-RING-#10M JIC 90 DEG.	4	
10	590001	ZERK 1/8 NPT 90 DEG GREASE	2	
11	59245019	HOSE-1/8X66 1/8NPT M&M 100R7	2	
12	59634001	SINGLE NYTIE - 8"	4	
13	627620001	PIN-3 DIA HEAT TREAT	2	
14	627621001	PIN-3 DIA HEAT TREAT	2	
15	635215363	CYLINDER -HYDRAULIC-9.00 X 32.00 X 4.00	2	Breakdown Fig. 6-24T01
16	635215436	WELDMENT - DEPTH GAUGE GUIDE 10.6"	1	
17	635215438	WELDMENT - DEPTH GAUGE	1	

Provided for Free by Trenchwell.com
Shop Aftermarket Parts

Breakdown-Boom Lift Cylinder (SN 550-574)

Fig 06-24T01



Breakdown-Boom Lift Cylinder (SN 550-574)

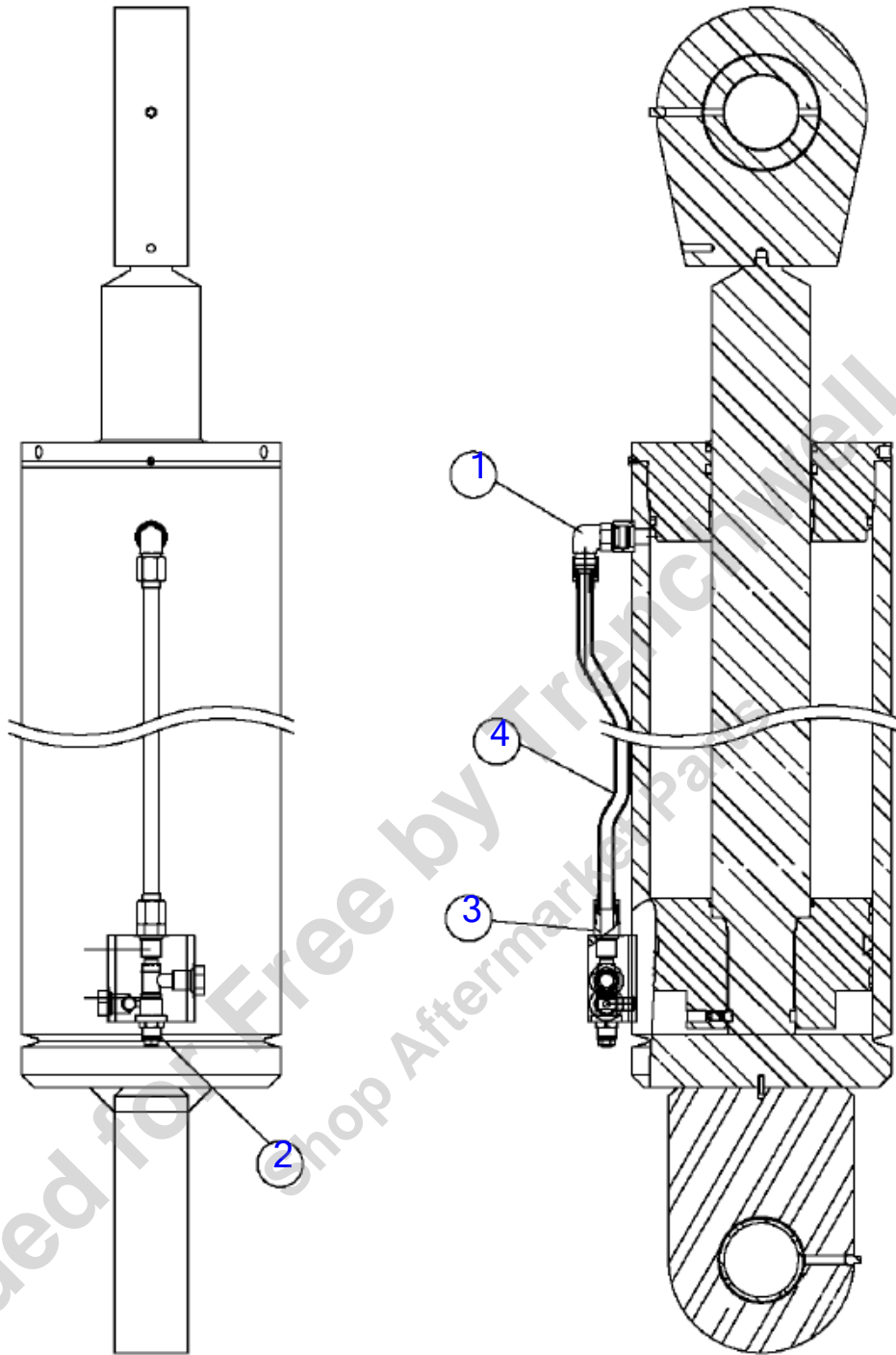
Fig 06-24T01

REF NO.	PART NO.	DESCRIPTION	QTY.	REMARKS
1		TUBE-WELDMENT	1	Not Sold Separately
2	608539001	LOCK COLLAR	1	
3	608540001	PISTON	1	
4	608541001	HEAD GLAND	1	
5	608555001	ROD SPACER	1	
6	612320001	ROD WELDMENT	1	
7	635463001	HYD. LINE TUBE	1	
8	635464001	NO. 10 FLARELESS TUBE NUT	2	
9	635465001	NO. 10 FLARELESS TUBE FERRULE	2	
10	296263472	SPHERICAL BEARING	1	
11	296263471	SPRING BUSHING	2	
12	608544001	SET SCREW 1/2" - 13 UNC X .75 LG	3	
13	622203001	RING-SPIRAL	1	
14	117037001	VALVE-COUNTERBALANCE CBB-D-LJN	1	
14	(296263469)	CB VALVE, CBB-D-LJN (3000)	1	
	58035007	REPAIR KIT	1	
	(616012001)	SEAL KIT-COUNTERBALANCE VALVE	1	
15		O-RING	1	Not Sold Separately
16		O-RING	1	Not Sold Separately
17		O-RING	1	Not Sold Separately
18		BACKUP RING	1	Not Sold Separately
19		DEEP Z-SEAL WITH ROD BACKUP	1	Not Sold Separately
20		CAPPED T-SEAL	1	Not Sold Separately
21		HD ROD WIPER, SEALED OD	1	Not Sold Separately
22		PRECISION WEARBAND	2	Not Sold Separately
23		PRECISION WEARBAND	2	Not Sold Separately
24		LOCKING INSERT	2	Not Sold Separately
25		LOCKING INSERT	3	Not Sold Separately
	635215363	CYLINDER -HYDRAULIC-9.00 X 32.00 X 4.00	A/R	Refer to Figure 6-24
	(612952001)	CYLINDER - 9 X 32 X 4 ROD	A/R	Refer to Figure 6-24
	608554001	SEAL KIT	A/R	Inc. Ref. 15-25

Breakdown-Boom Lift Cylinder (SN 575-)

Fig 06-24T01R01

Breakdown limited because: special tools or training required,
parts not available, may void warranty, and/or not cost effective.



Breakdown-Boom Lift Cylinder (SN 575-)

Fig 06-24T01R01

REF NO.	PART NO.	DESCRIPTION	QTY.	REMARKS
1	635216194	FITTING	1	
2	635216191	VALVE-COUNTERBALANCE	1	
3	635216187	ADAPTER-STRAIGHT	1	
4	635216170	TRANSFER TUBE	1	
	635216176	SEAL KIT	1	Not Shown
	635215363	CYLINDER -HYDRAULIC-9.00 X 32.00 X 4.00	1	

Provided for Free by Trenchwell.com
Shop Aftermarket Parts

Cab Lift Cylinder (SN 550-572)

Fig 06-25

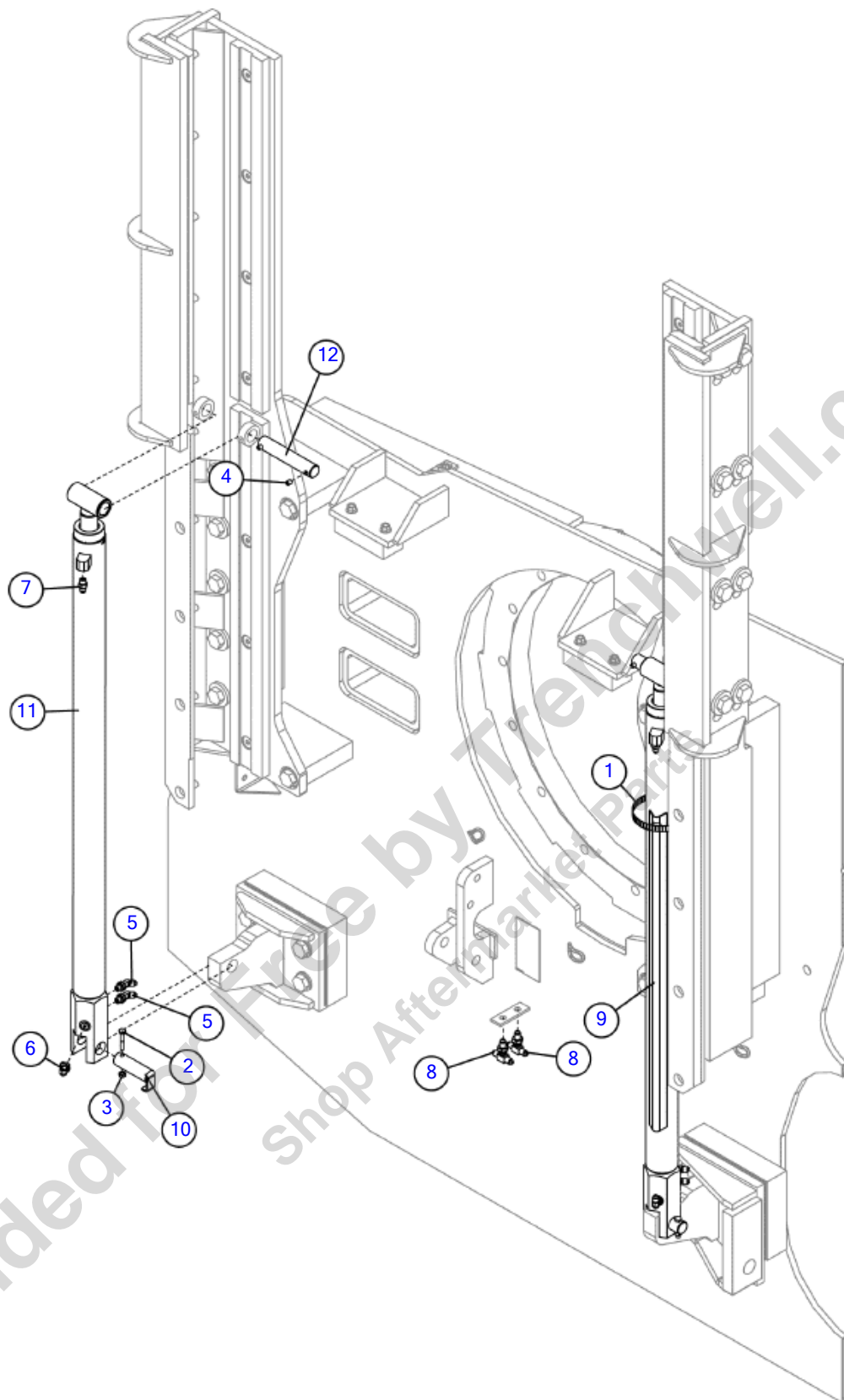


Illustration No. 635050004-Not For Ordering

Cab Lift Cylinder (SN 550-572)

Fig 06-25

REF NO.	PART NO.	DESCRIPTION	QTY.	REMARKS
1	1580017	HOSE CLAMP - 3 3/4"	1	
2	510300015	SCREW-HCS-.25-20X1.50-GR2-YZ	2	
3	510313301	NUT-HEX-.25-20-GR2-YZ	2	
4	524001	SSS-5/16-18X5/16	4	
5	58295001	FITTING-4M OR X 4M JIC 45 DEG.	4	
6	59423001	FITTING-90-4MORBA-4MJ	2	
7	60908001	FITTING-4MX4M JIC STR ADAPTER	2	
8	60926001	FITT.-4JIC BULKHEAD BRANCH TEE	2	
9	611360001	COVER - HOSE PROTECTOR	1	
10	629155001	PIN-LOCK W/TAB	2	
11	612983001	ASSEMBLY - CYLINDER	2	
11	(629164001)	CYLINDER-2 X 38 (W/1.25 ROD)	2	
	123632003	SEAL KIT	1	
	106145011	CHECK VALVE-P.O. CKCB XCN	1	
	58035007	REPAIR KIT	1	
12	80689001	PIN	2	

Provided for Free by Trenchwell.com
Shop Aftermarket Parts

Cab Lift Cylinder (SN 573-)

Fig 06-25R01

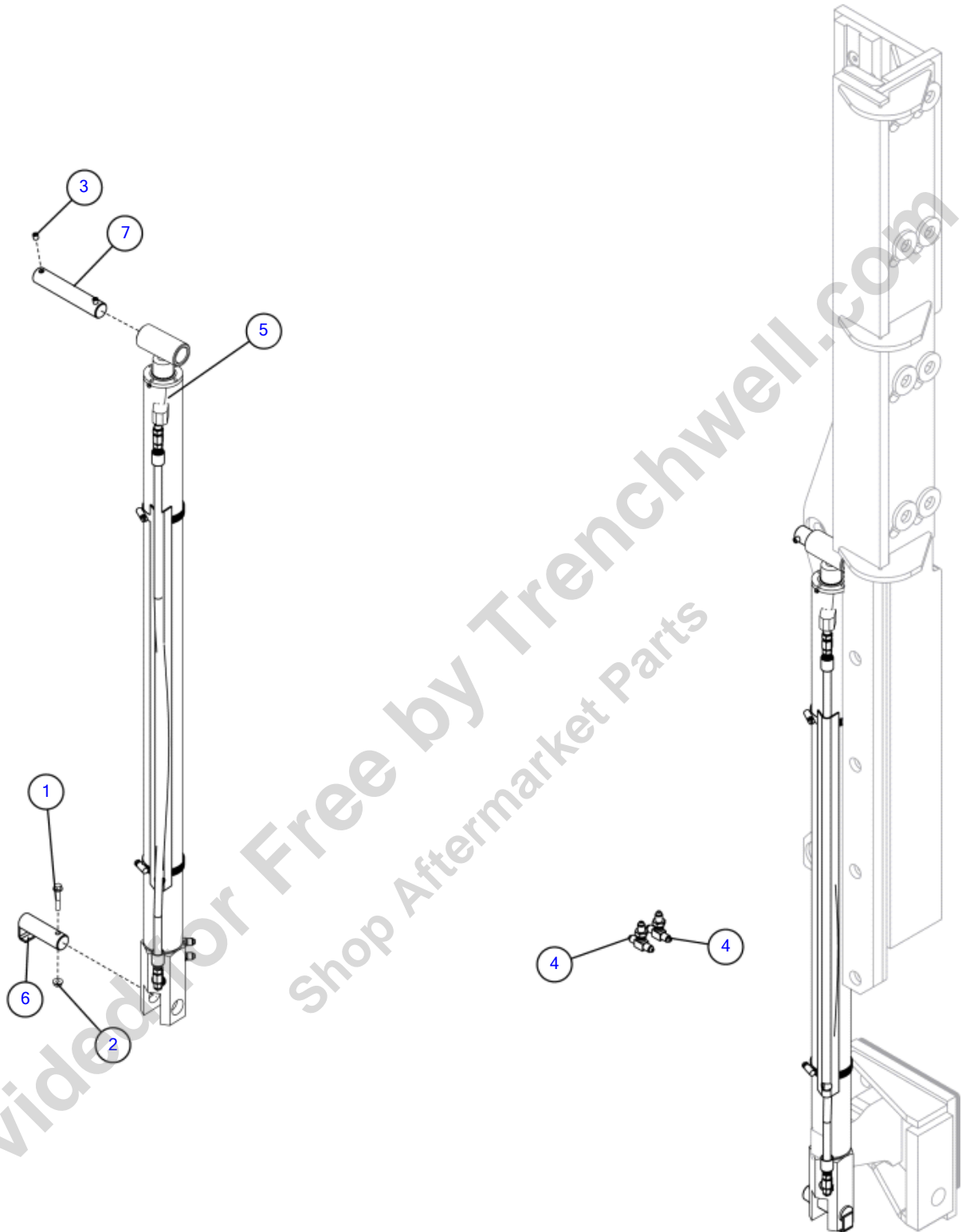


Illustration No. 635050004-Not For Ordering

Cab Lift Cylinder (SN 573-)

Fig 06-25R01

REF NO.	PART NO.	DESCRIPTION	QTY.	REMARKS
1	296300756	SCREW HFS .25 20X1.50 GR8	2	
2	510352505	NUT-SMFLGTL-.25-20-G	2	
3	524001	SSS-5/16-18X5/16	4	
4	60926001	FITT.-4JIC BULKHEAD BRANCH TEE	2	
5	612983001	ASSEMBLY - CYLINDER	2	Breakdown Fig. 6-25t01
6	629155001	PIN-LOCK W/TAB	2	
7	80689001	PIN	2	

Provided for Free by Trenchwell.com
Shop Aftermarket Parts

Breakdown - Cab Lift Cylinder (SN 573-)

Fig 06-25T01

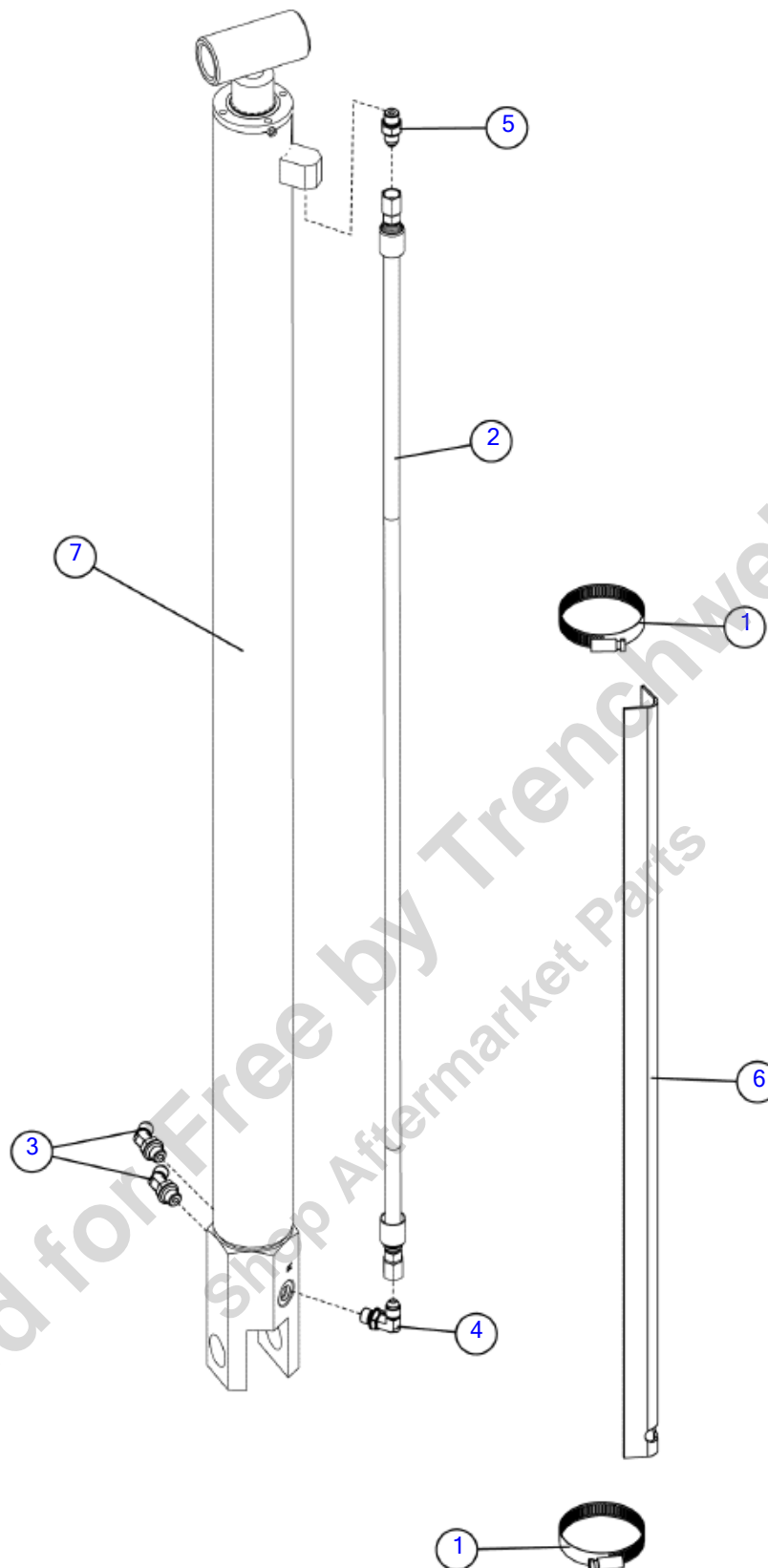


Illustration No: 612983001 - Not For Ordering

Breakdown - Cab Lift Cylinder (SN 573-)

Fig 06-25T01

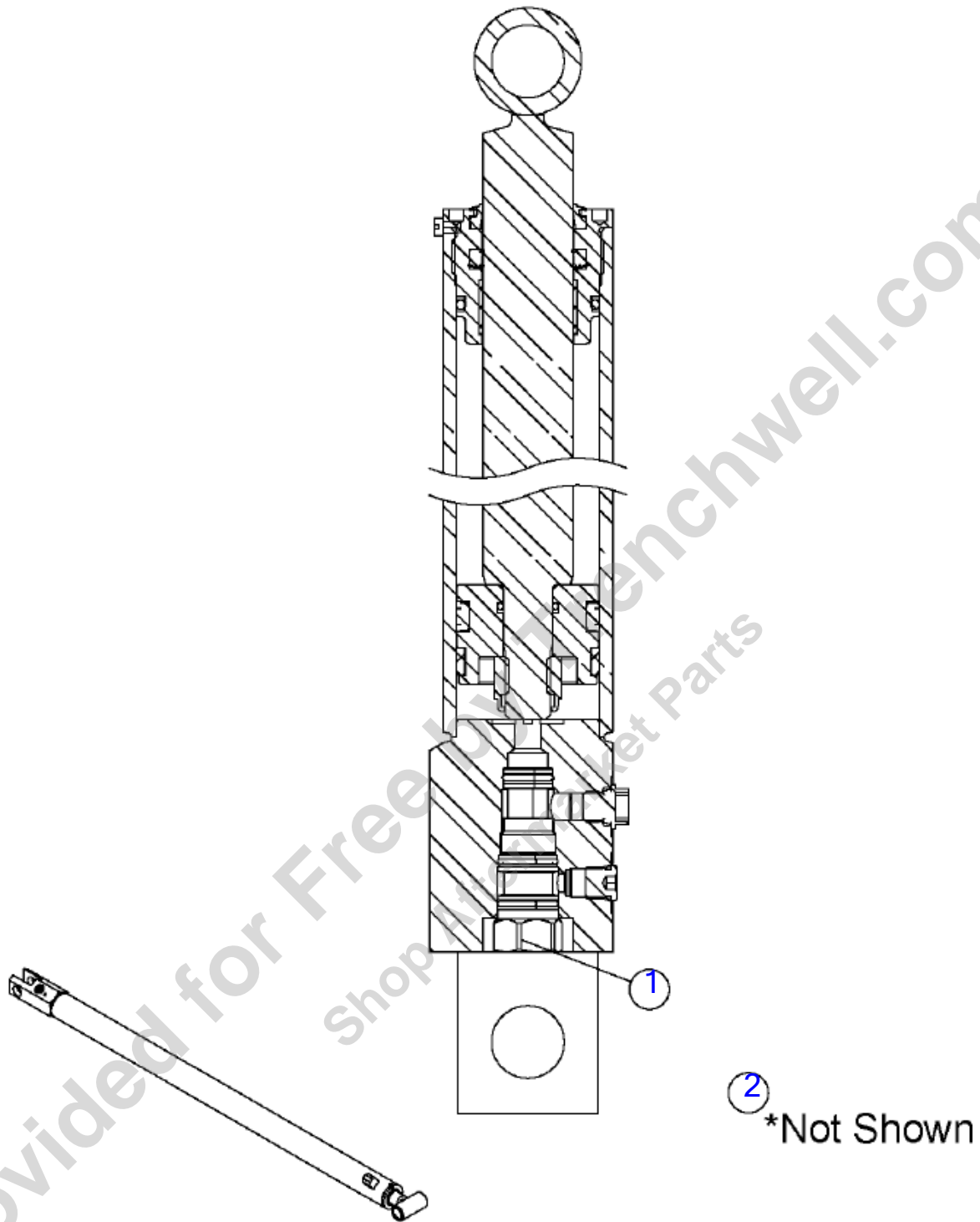
REF NO.	PART NO.	DESCRIPTION	QTY.	REMARKS
1	1580013	HOSE CLAMP - WORM GEAR - 2 1/16" - 3"	2	
2	53843185	HOSE-1/4X40 4FS JIC 3000 PSI	1	
3	58295001	FITTING-4M OR X 4M JIC 45 DEG.	2	
4	59423001	FITTING-90-4MORBA-4MJ	1	
5	60908001	FITTING-4MX4M JIC STR ADAPTER	1	
6	611360001	COVER - HOSE PROTECTOR	1	
7	612983001	ASSEMBLY - CYLINDER	1	Breakdown Fig. 6-25T02
7	(635215365)	CYLINDER -HYDRAULIC-2.00 X 38.00 X 1.20	1	Breakdown Fig. 6-25T02

Provided for Free by Trenchwell.com
Shop Aftermarket Parts

Breakdown - Cylinder (SN 573-)

Fig 06-25T02

Breakdown limited because: special tools or training required,
parts not available, may void warranty, and/or not cost effective.



Breakdown - Cylinder (SN 573-)

Fig 06-25T02

REF NO.	PART NO.	DESCRIPTION	QTY.	REMARKS
1	635216189	CHECK VALVE	1	
2	635216165	SEAL KIT	1	Not Shown
	612983001	ASSEMBLY - CYLINDER	1	
	(635215365)	CYLINDER -HYDRAULIC-2.00 X 38.00 X 1.20	1	

Provided for Free by Trenchwell.com
Shop Aftermarket Parts

Diagnostic Pressure Check

Fig 06-26

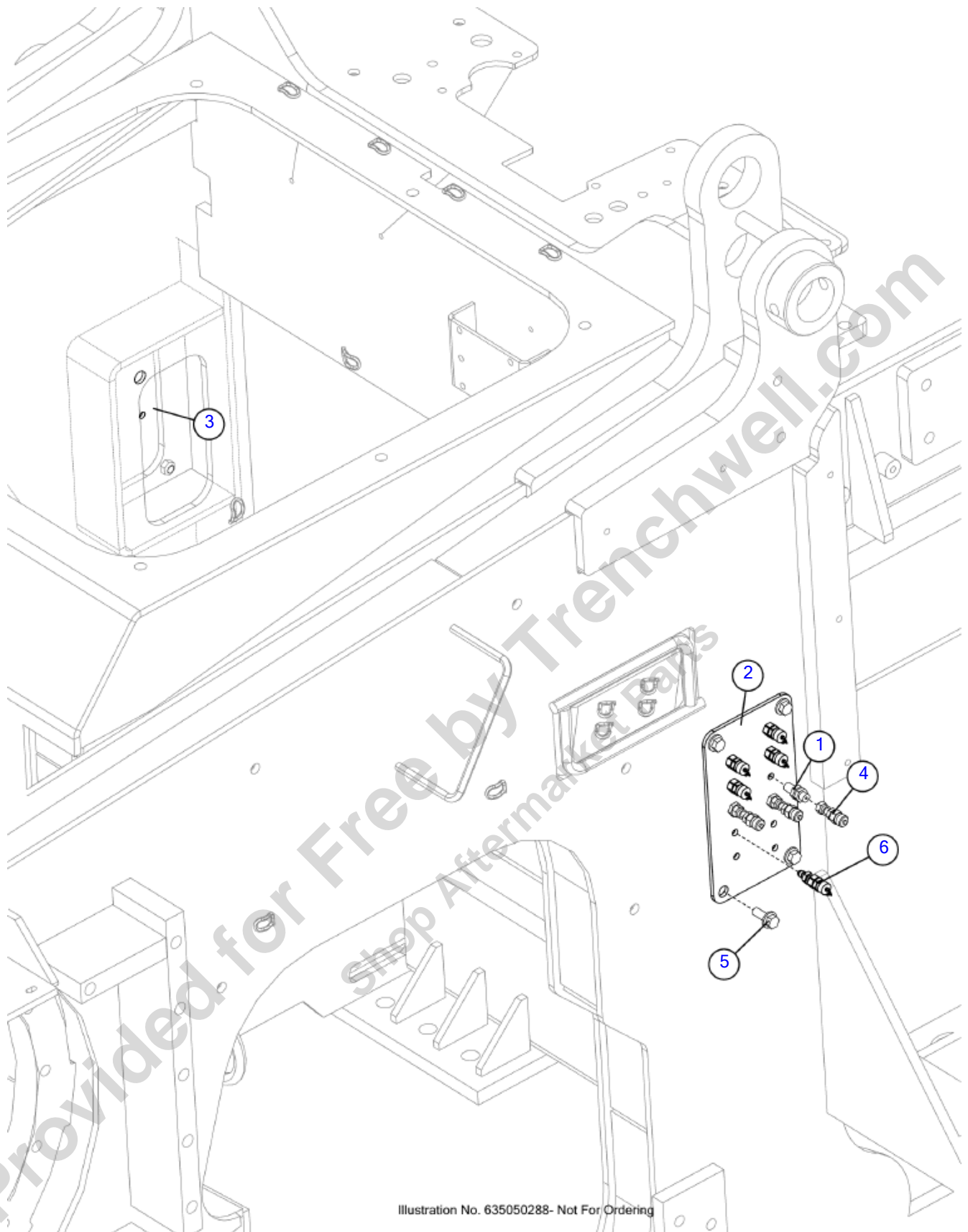


Illustration No. 635050288- Not For Ordering

Diagnostic Pressure Check

Fig 06-26

REF NO.	PART NO.	DESCRIPTION	QTY.	REMARKS
1	104169001	FITTING 4MORS BULK X4MORS STR.	3	
2	112695001	PLATE-DIAGNOSTIC	1	
3	112696001	PLATE-GREASE BANK	1	
4	285652001	FITTING - TEST - 4FSORFF - 16MTP	3	
5	296300789	SCREW-HFS-.50-13X1.25-GR8	8	
6	86230001	FITTING-MALE BLKHD CPLG7/16JIC	5	

Provided for Free by Trenchwell.com
Shop Aftermarket Parts

Accumulator

Fig 06-27

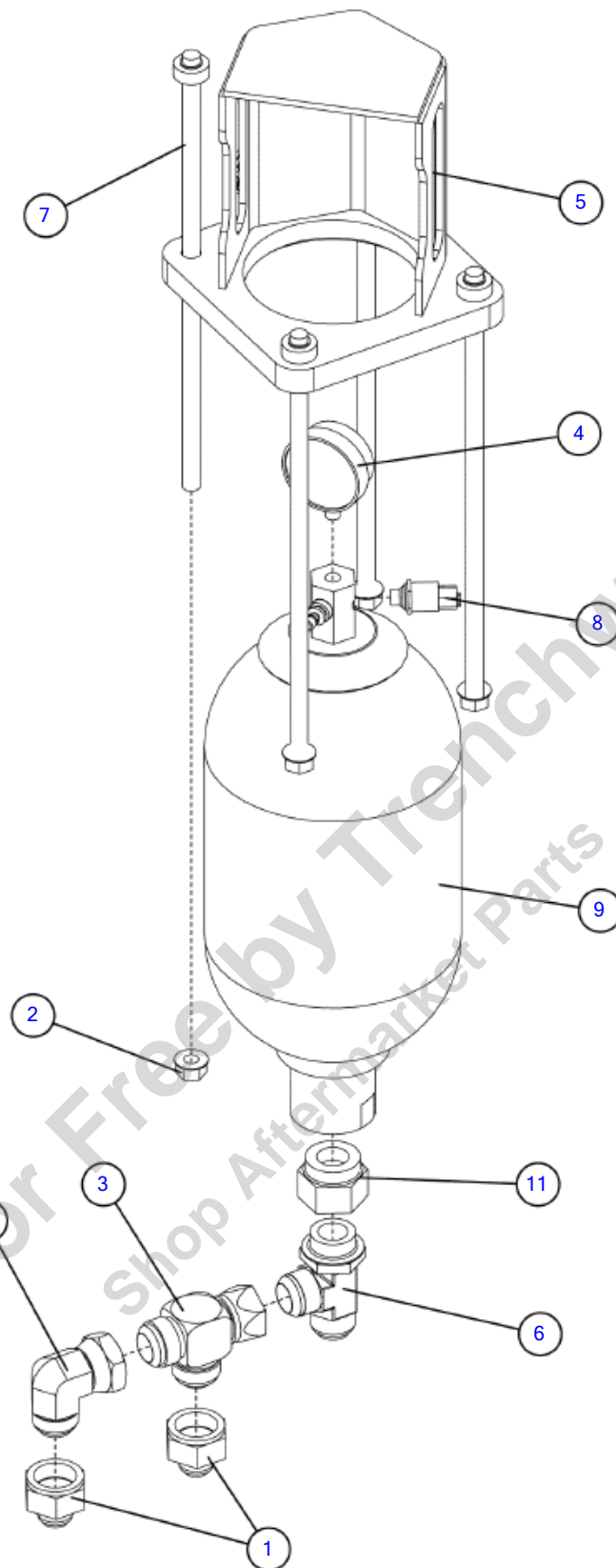


Illustration No. 628240001 - Not For Ordering

Accumulator

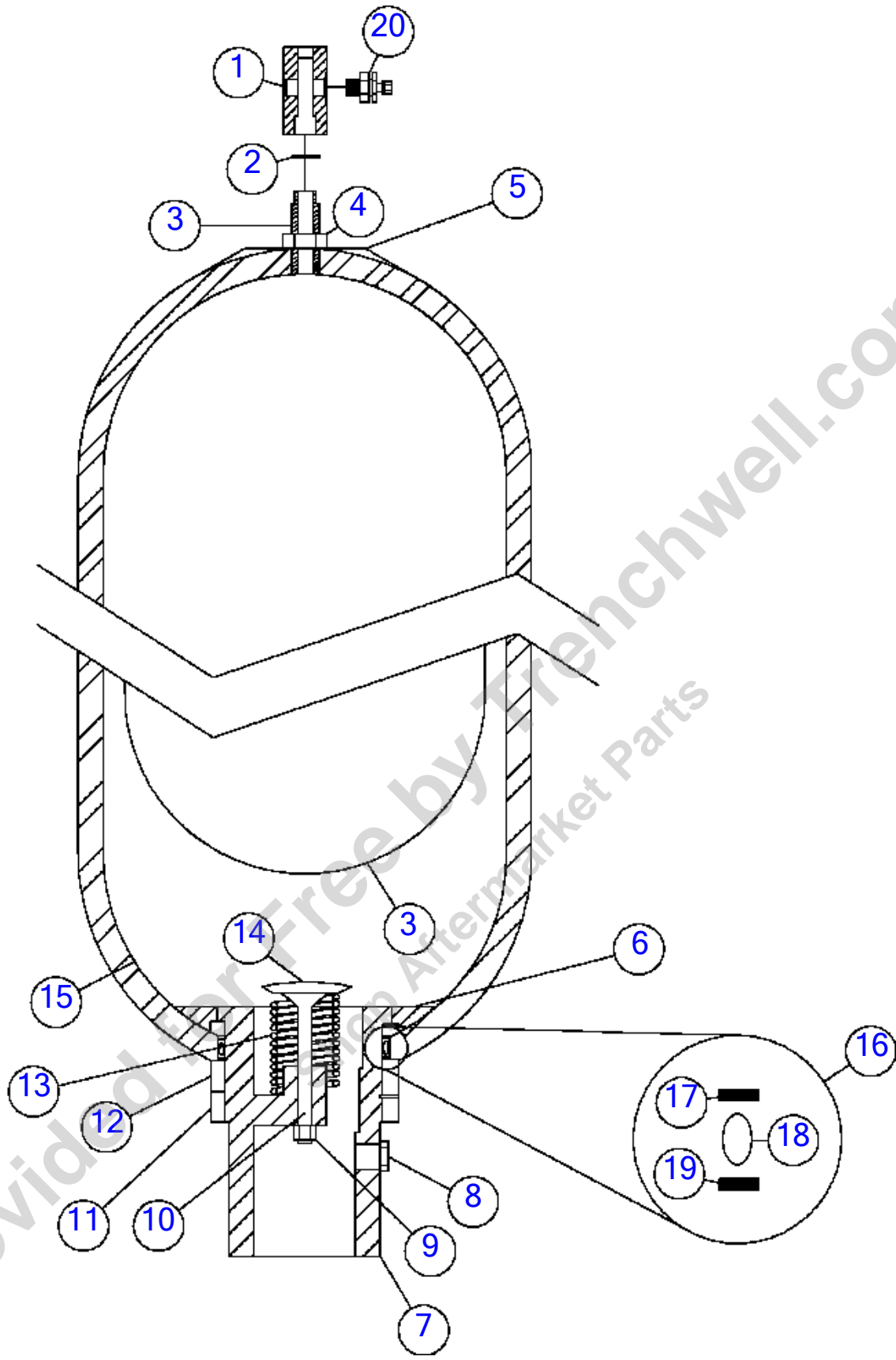
Fig 06-27

REF NO.	PART NO.	DESCRIPTION	QTY.	REMARKS
1	103738001	FITTING-20FS X 16M JIC STR.	2	
2	510352513	NUT SMFLGTL .63-11 G	4	
3	603103001	FITTING, 20MJ-20FJM - 20MJ TEE FORGED	1	
4	613684001	GAUGE- 600 PSI SPAN	1	
5	615158001	PLATE-ACCUMULATOR MOUNT	1	
6	620126001	FITTING-RTEE-20MJ-20MOR-20MJ	1	
7	622105001	BOLT-ACCUMULATOR	4	
8	627175001	TRANSDUCER-500 PSI HYDAC	1	Breakdown Fig 6-27T01
9	635206112	ACCUMULATOR 2.5 GALLON (3000 PSI) (S856A2.5TB3)	1	
10	65574001	FITTING-20FS JICX20M JIC 90 DEGREE	1	
11	85659001	FITTING-24M ORINGX20F ORINGSTR	1	

Provided for Free by Trenchwell.com
Shop Aftermarket Parts

Breakdown-Accumulator

Fig 06-27T01



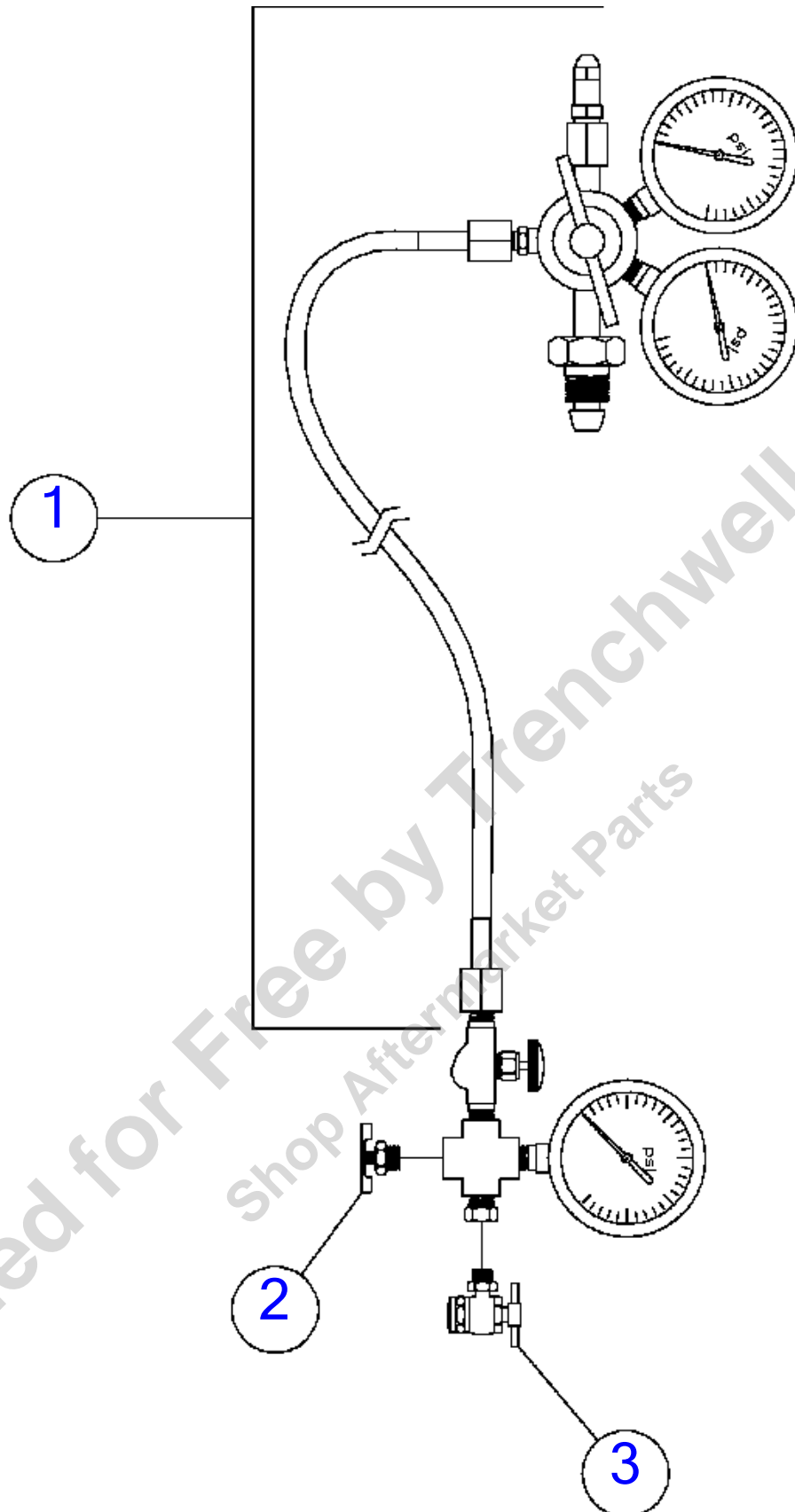
Breakdown-Accumulator

Fig 06-27T01

REF NO.	PART NO.	DESCRIPTION	QTY.	REMARKS
1	628186001	COUPLING	1	
2	628185001	O-RING-TRANSFER BARRIER	1	
3	628187001	BLADDER KIT	1	
4	635478001	HEX NUT-7/8"-14 JAM	1	
5		NAME PLATE	1	Not Sold Separately
6		ANTI-EXTRUSION RING	1	Not Sold Separately
7	635479001	OIL PORT, 1 7/8"-12 SAE	1	Inc. Ref. 9,10,13 & 14.
8	635480001	BLEED PLUG, SAE	1	
9		STOP NUT	1	Not Sold Separately
10		PISTON	1	Not Sold Separately
11	635481001	LOCKNUT	1	
12	635482001	SPACER	1	
13		SPRING	1	Not Sold Separately
14		POPPET	1	Not Sold Separately
15		SHELL	1	Not Sold Separately
16	635483001	ACCUMULATOR 2.5 O-RING KIT	1	Inc.One Of Ref. No 17, 18 & 19
17		METAL BACK-UP RING	1	Not Sold Separately
18		O-RING	1	Not Sold Separately
19		RUBBER BACK-UP RING	1	Not Sold Separately
20	628184001	GAS VALVE-3000 PSI	1	Sold Separately
	635206112	ACCUMULATOR 2.5 GALLON (3000 PSI) (S856A2.5TB3)	A/R	Inc.Ref.1-19 (Refer To Fig.6-27)

Accumulator Charging Kit

Fig 06-28



Accumulator Charging Kit

Fig 06-28

REF NO.	PART NO.	DESCRIPTION	QTY.	REMARKS
1	615176001	KIT-ACCUMULATOR CHARGING-REG/VALVE/GAUGE	A/R	
2	904844005	DRAINCOCK-1/4 NPT	1	
3	615177001	FITTING-ACCUMULATOR AIR CHUCK	1	
	615175001	CHARGING SET-ACCUMULATOR	1	Inc. Ref. 1-3

Provided for Free by Trenchwell.com
Shop Aftermarket Parts

Track Cylinder / Tension Valve

Fig 06-29

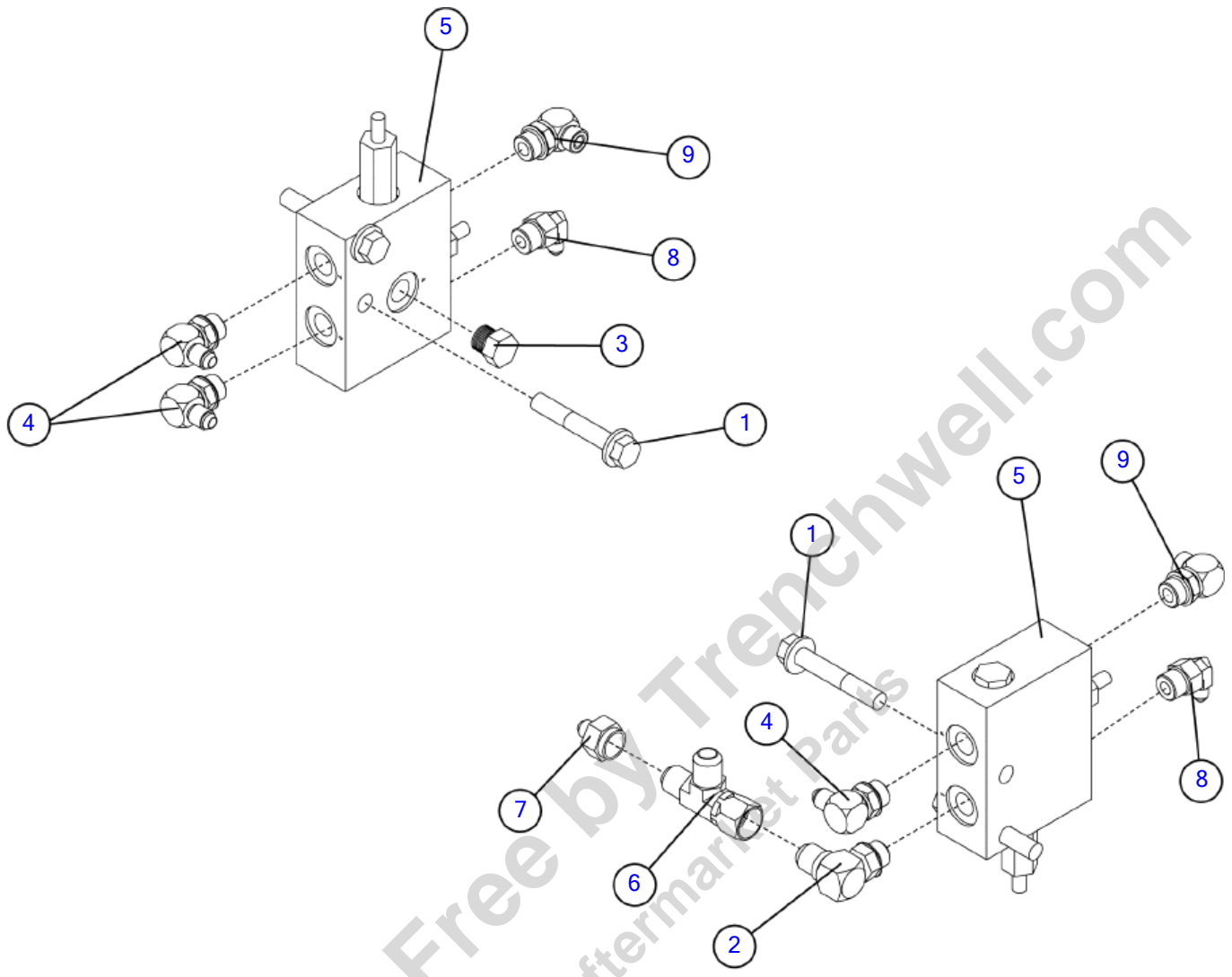


Illustration No.635050029-Not For Ordering

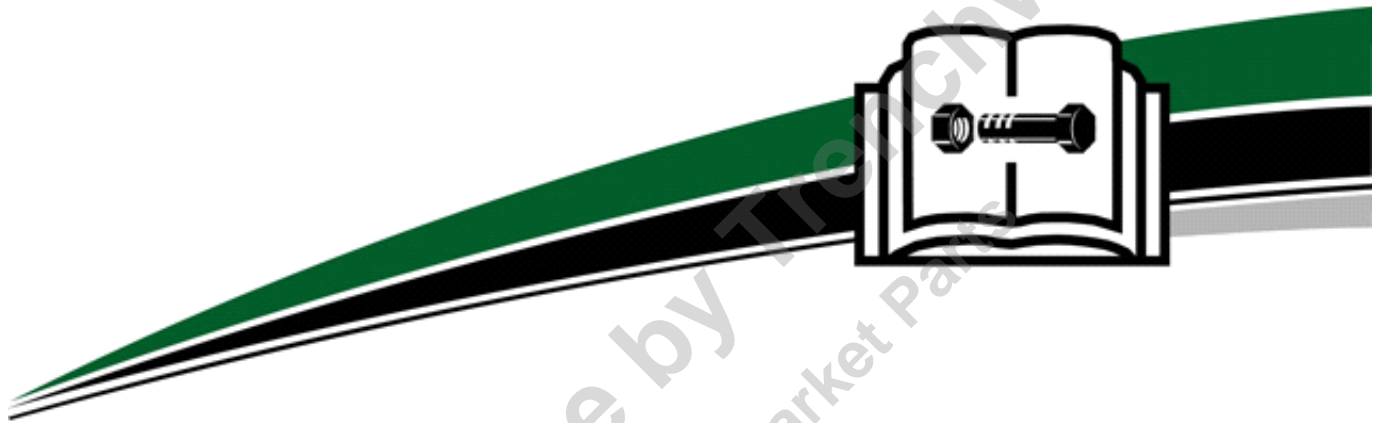
Track Cylinder / Tension Valve

Fig 06-29

REF NO.	PART NO.	DESCRIPTION	QTY.	REMARKS
1	296300796	SCREW-HFS-.50-13X3.00-GR8-YZ	4	
2	53823001	FITTING-#8M O-RING-#10M JIC 90 DEG.	1	
3	56218001	FITTING - PLUG - 8MORB - HEX	2	
4	57954001	FITTING-8M O-RING X 6M JIC 90 DEGS	3	
5	613619001	VALVE-TENSION FV5333-ADJ	2	
6	71250001	FITTING-10M JIC(BCH)X10M JICX10FS JIC	1	
7	71253001	FITTING-6M JICX10F JIC REDUCER	1	
8	86671001	FITTING-90-4MJ-8MORBA	2	
9	97685001	FITTING-8MOR X 6MORFS 90 DEG.	2	

Provided for Free by Trenchwell.com
Shop Aftermarket Parts

Auxiliary Hydraulics



Provided for Free by TractorParts.com
Shop Aftermarket Parts

Auxiliary Hydraulics

Hose Diagram-Auxiliary Hydraulics	Fig	07-01
Auxiliary Pump	Fig	07-02
Auxiliary Valve	Fig	07-03
Breakdown-Auxiliary Valve	Fig	07-03T01
Auxiliary Couplers	Fig	07-04

Provided for Free by Trenchwell.com
Shop Aftermarket Parts

Hose Diagram-Auxiliary Hydraulics

Fig 07-01

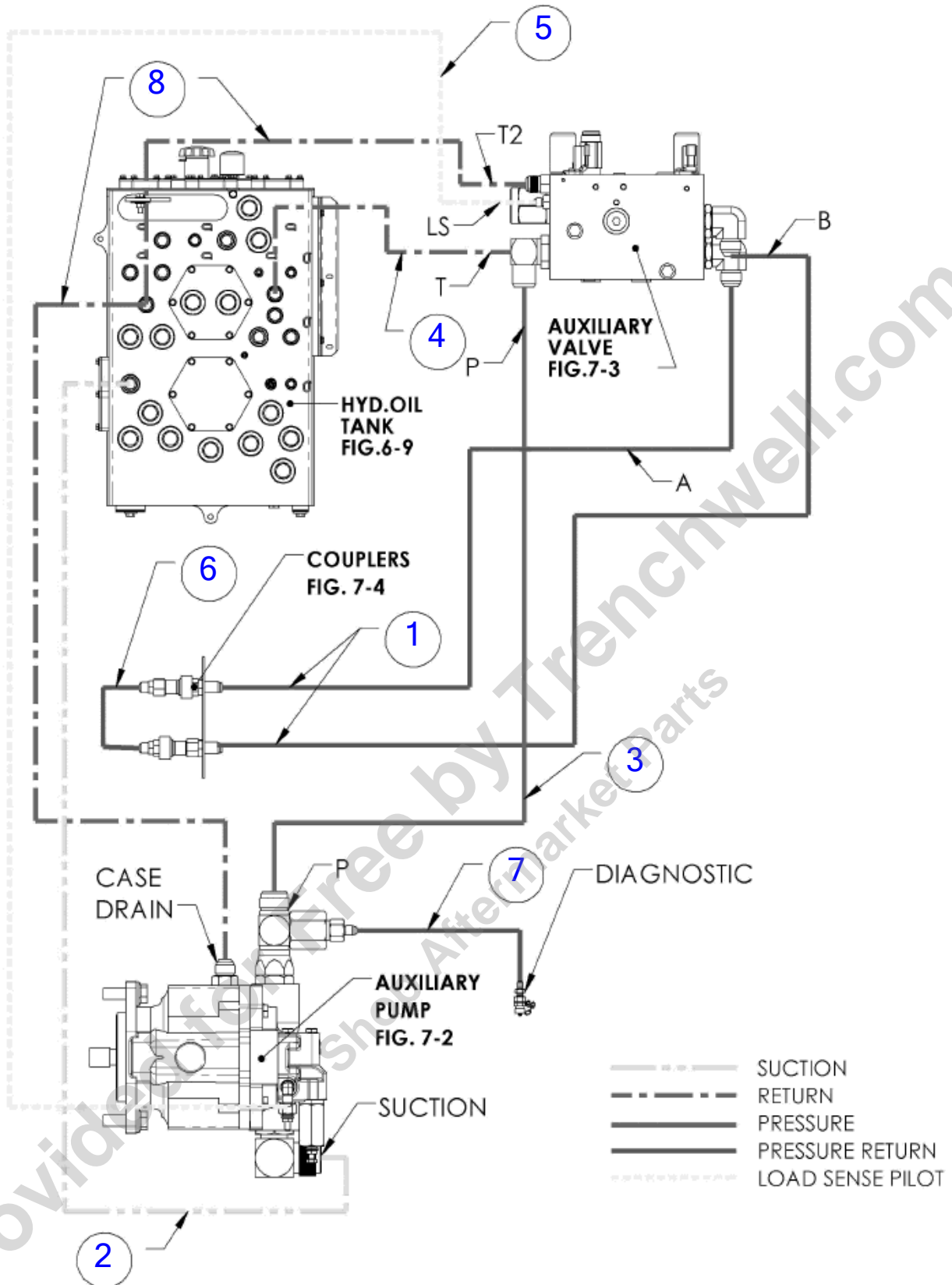


Illustration No: 635202337 - Not For Ordering

Hose Diagram-Auxiliary Hydraulics

Fig 07-01

REF NO.	PART NO.	DESCRIPTION	QTY.	REMARKS
1	53845439	HOSE-3/4X32 12FS JIC 3000 PSI	2	
2	65560089	HOSE-1 1/4X58 20FSJIC 100 PSI	1	
2	(65560015)	HOSE-1 1/4X58 20FS JIC (100R4)	1	
3	53846411	HOSE-1X42 16FS JIC 3000	1	
4	53846009	HOSE-1X56 16FS JIC (100R4)	1	
5	68210033	HOSE-1/4X58 4FS JIC 3000PSI	1	
6	53845163	HOSE-3/4X27 12FS JIC (3000PSI)	1	
7	53843595	HOSE-1/4X28 4FS JIC 3000PSI	1	
8	53842461	HOSE-5/8X70 10FSJICST 2750 PSI	2	

Provided for Free by Trenchwell.com
Shop Aftermarket Parts

Auxiliary Pump

Fig 07-02

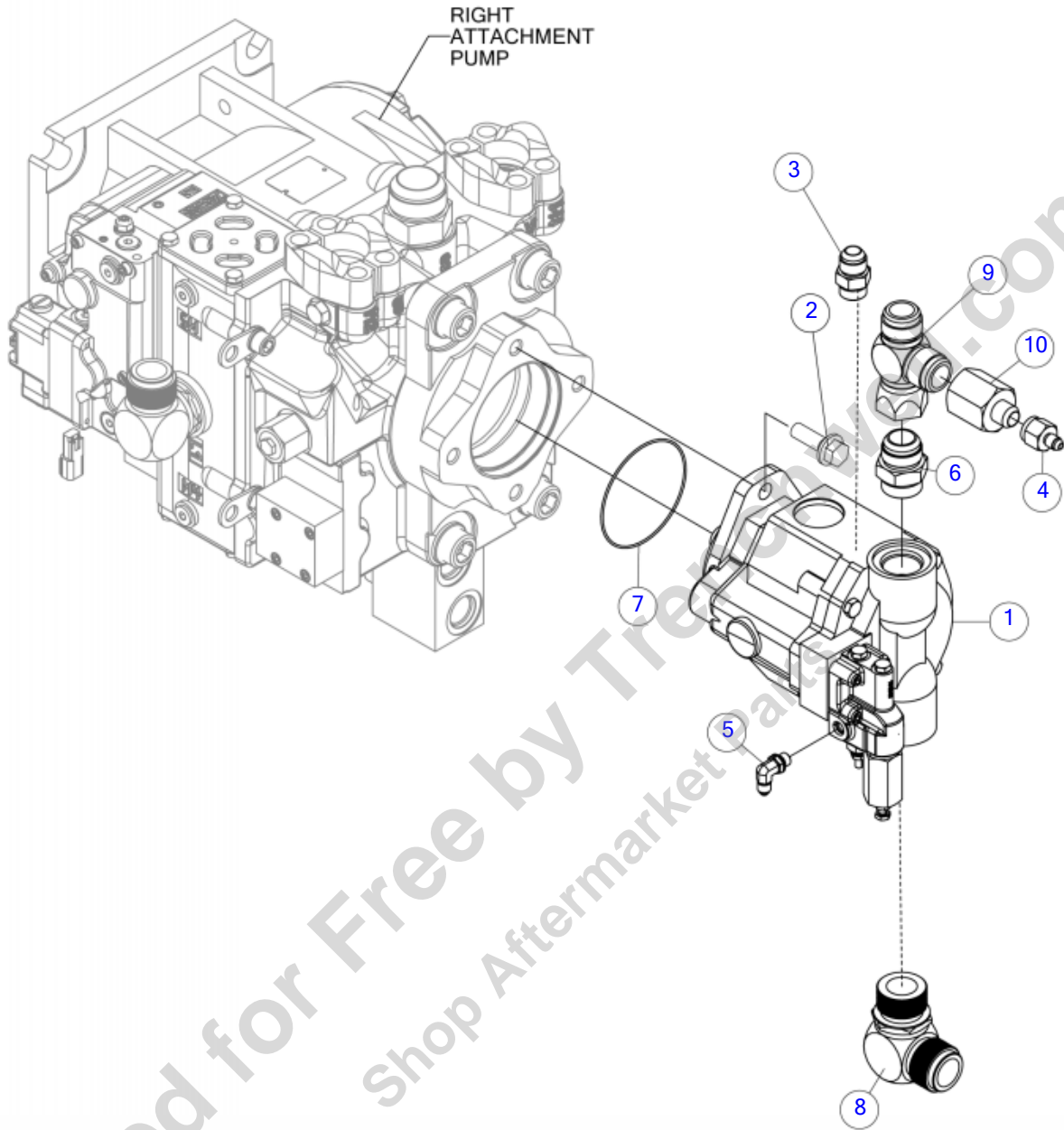


Illustration No.635202334-Not For Ordering

Auxiliary Pump

Fig 07-02

REF NO.	PART NO.	DESCRIPTION	QTY.	REMARKS
1	115152001	PUMP-PISTON 2.77CID RT HND ROT	1	
	103775001	SEAL-CESSNA PUMP VITON	1	
	296359596	COMPENSATOR	1	
2	296300790	SCREW HFS .50 13X1.50 GR8	2	
3	53827001	FITTING - 10M O-RING X 10M JIC ST.	1	
4	54385001	FITTING-8F JICX4MJIC REDUCER	1	
5	59423001	FITTING-90-4MORBA-4MJ	1	
6	60907001	FITTING - 16M JICX16M STR ADAPT	1	
7	76455001	O-RING #11223 FAUVER	1	
8	77137001	FITTING-20MX20M JIC 90 DEG.	1	
9	77155001	FITTING RTEE 16MJ 16FSJ 16MJ	1	
10	81581001	FITTING-8MX16F REDUCER	1	

Provided for Free by Trenchwell.com
Shop Aftermarket Parts

Auxiliary Valve

Fig 07-03

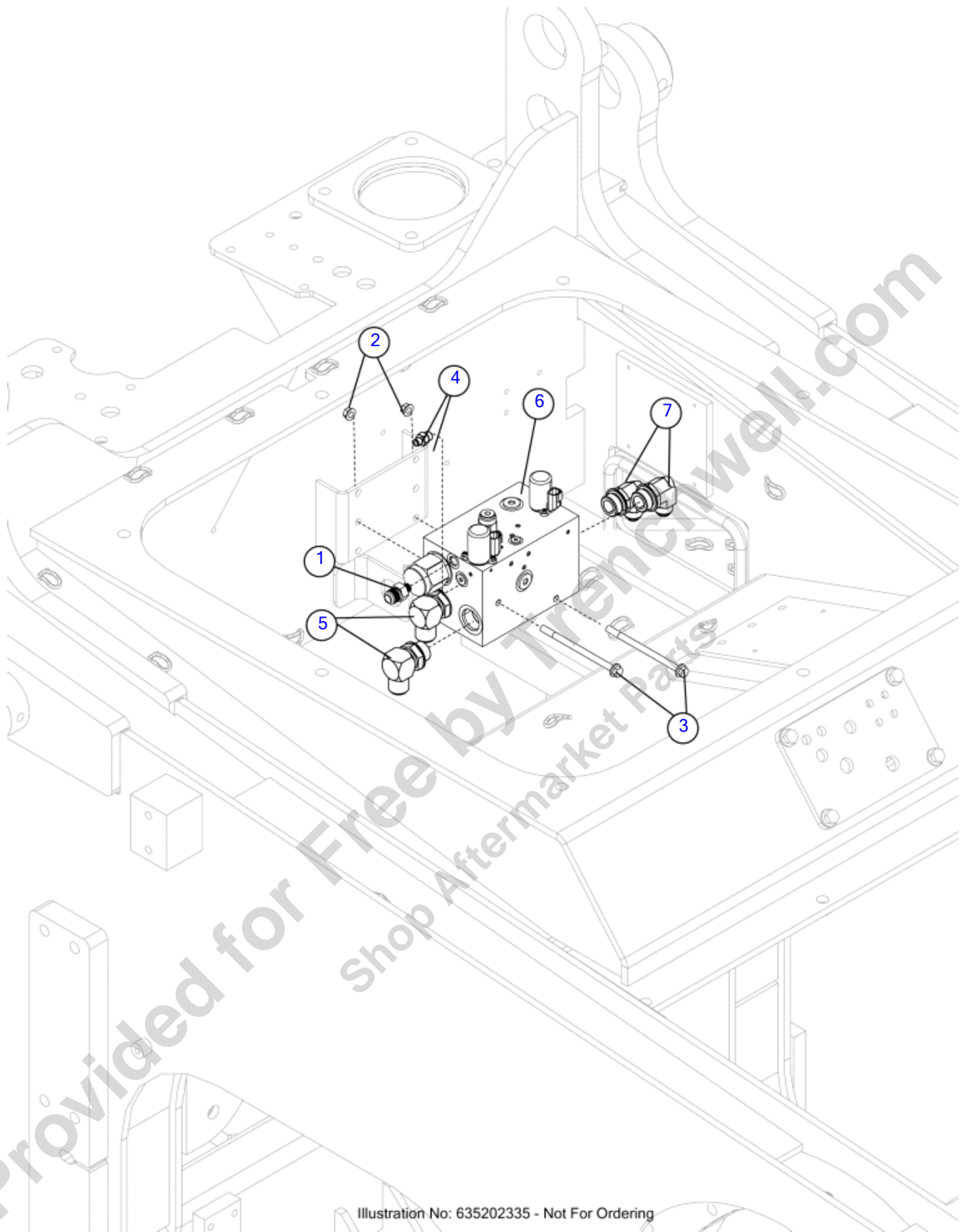


Illustration No: 635202335 - Not For Ordering

Auxiliary Valve

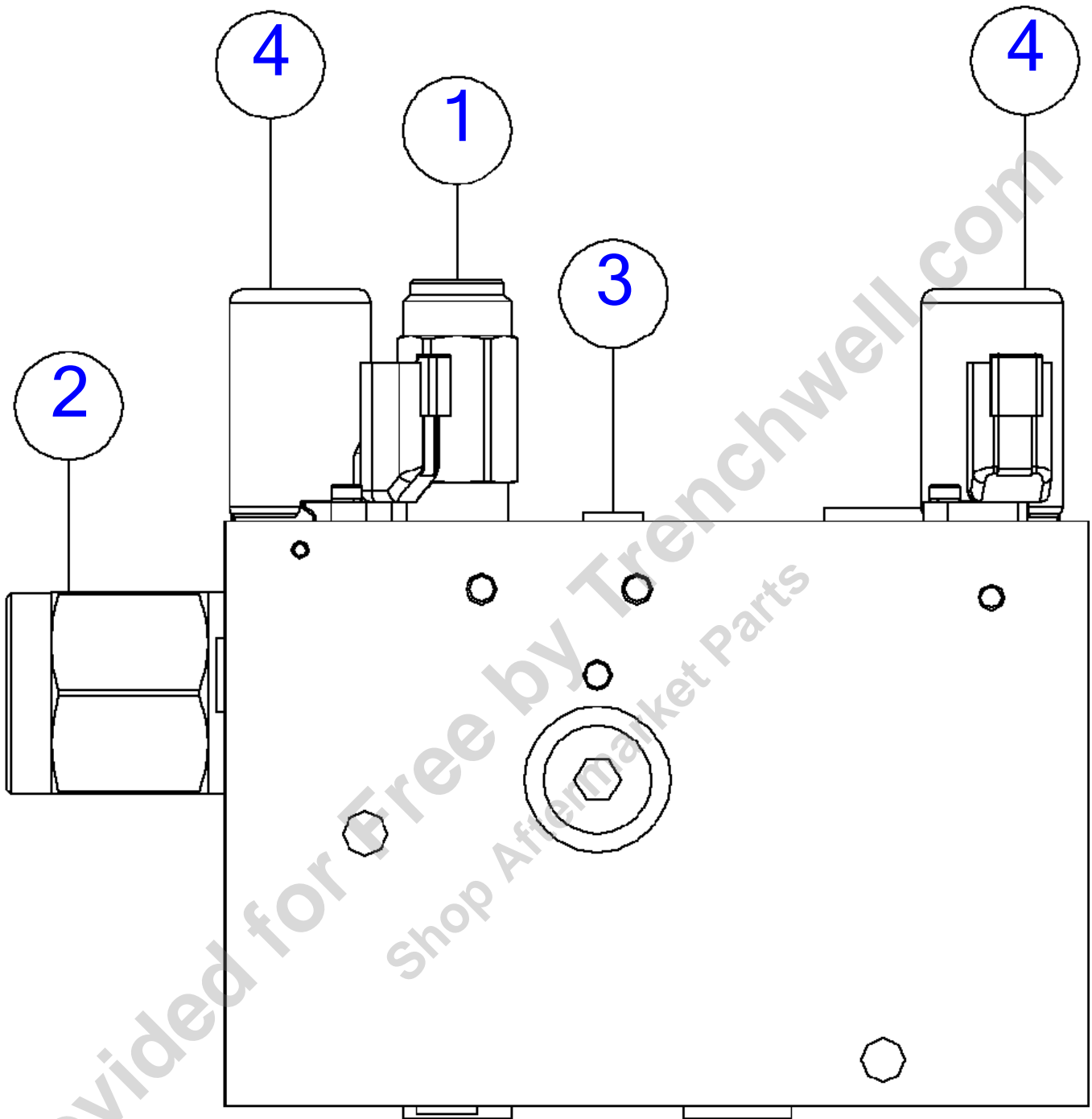
Fig 07-03

REF NO.	PART NO.	DESCRIPTION	QTY.	REMARKS
1	102096001	FITTING-6M ORINGX10M JIC STR.	1	
2	296300895	NUT, HEXFLG-.38-16-GR8-YZ	2	
3	296300911	SCREW-HFS-.38-16X6.00-GR8	2	
4	57968001	FITTING-STR-4MJ-6MORB	1	
5	61703001	FITTING-90-16MJ-16MORBA	2	
6	627623001	VALVE-DIRECTIONAL 40 GPM 24V LS	1	Breakdown Fig. 7-3T01
7	78057001	FITTING-90-12MJ-16MORBA	2	

Provided for Free by Trenchwell.com
Shop Aftermarket Parts

Breakdown-Auxiliary Valve

Fig 07-03T01



Breakdown-Auxiliary Valve

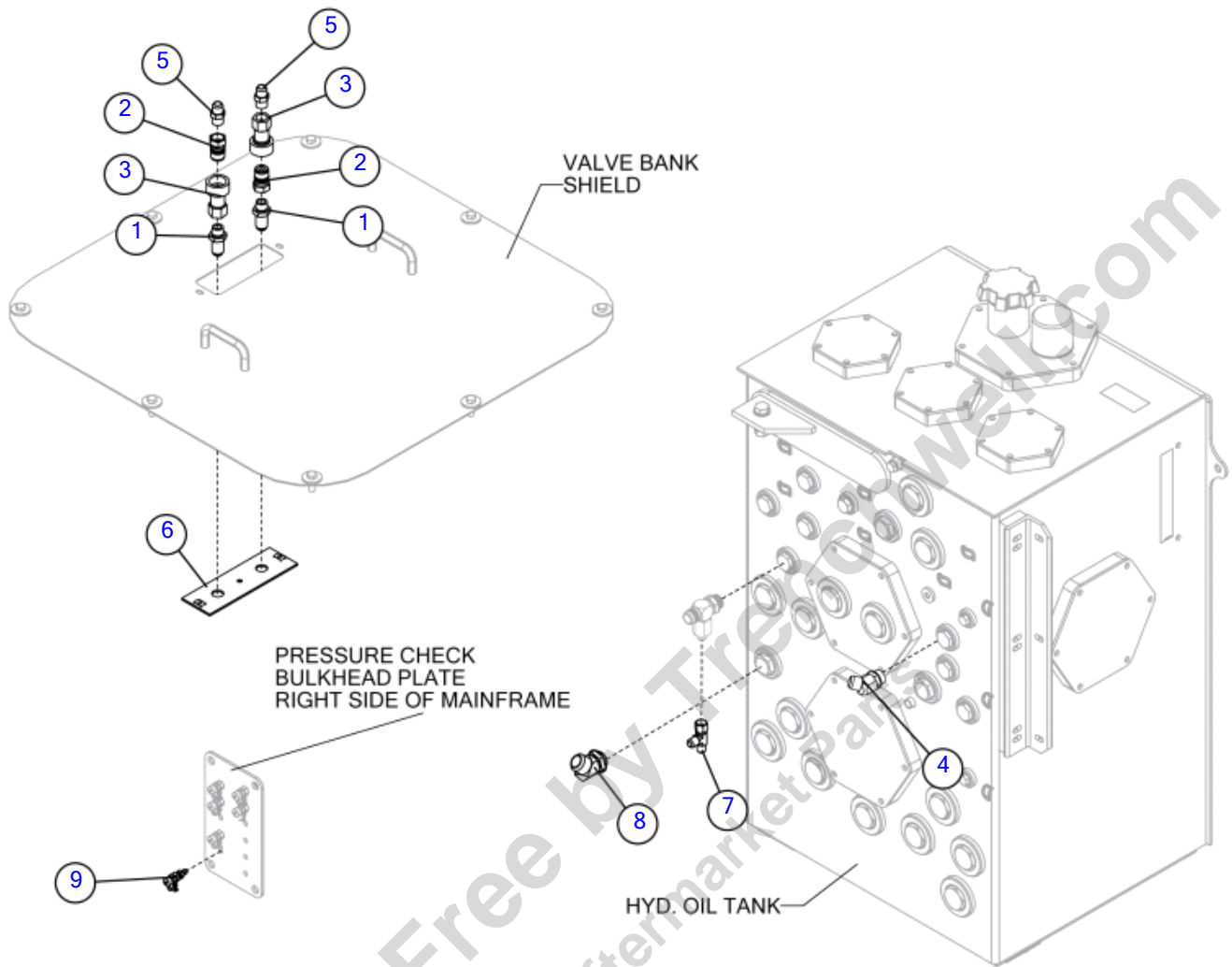
Fig 07-03T01

REF NO.	PART NO.	DESCRIPTION	QTY.	REMARKS
1	624348001	VALVE-RELIEF	1	
	228128009	SEAL KIT	A/R	
2	180009869	PROPORTIONAL VALVE	1	
	228128001	VALVE-3 SECTION 3-WAY SOLENOID	A/R	
3	230746013	VALVE CARTRIDGE	1	
	151944001	SEAL KIT	A/R	
4	625602001	VALVE SOLENOID	2	
	625603001	SEAL KIT	A/R	
	627623001	VALVE-DIRECTIONAL 40 GPM 24V LS	A/R	Refer To Fig 7-3

Provided for Free by Trenchwell.com
Shop Aftermarket Parts

Auxiliary Couplers

Fig 07-04



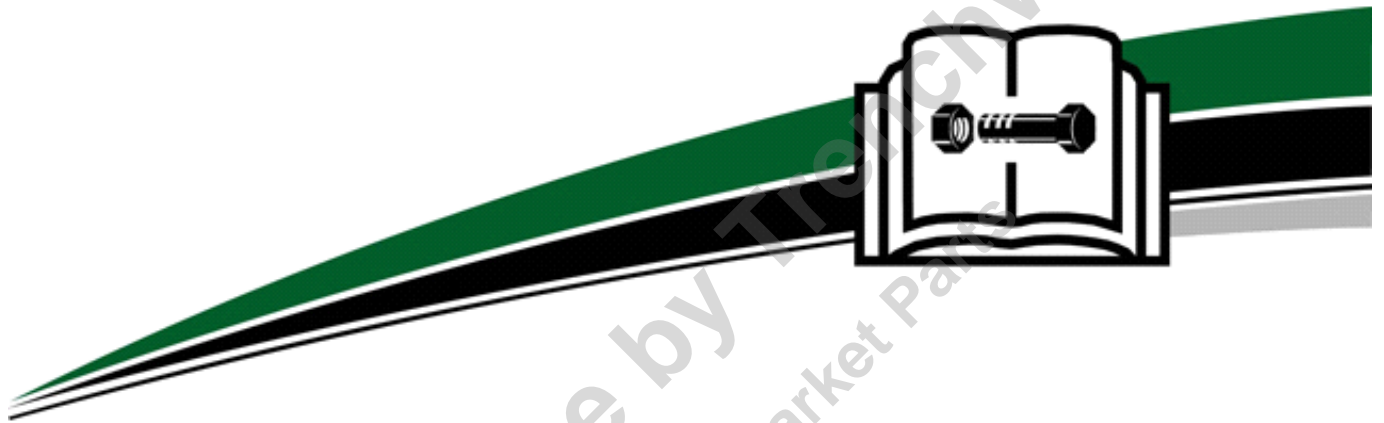
Auxiliary Couplers

Fig 07-04

REF NO.	PART NO.	DESCRIPTION	QTY.	REMARKS
1	105150001	FITTING-12M JICX3/4NPT BULKHD	2	
2	4257001	COUPLING - 3/4" QUICK M	2	
3	4258001	COUPLING - 3/4 QUICK F	2	
4	53835001	FITTING-#16M O-RING-#16M JIC 45 DEG.	1	
5	53836001	FITTING-3/4M PIPE-#12M JIC ST.	2	
6	617412001	PLATE - AUX HYD BLKHD	1	
7	71250001	FITTING-10M JIC(BCH)X10M JICX10FS JIC	1	
8	81703001	FITTING-20M ORBA X 20M JIC 45 DEG.EL.	1	
9	86230001	FITTING-MALE BLKHD CPLG7/16JIC	1	

Provided for Free by Trenchwell.com
Shop Aftermarket Parts

Controls/Electrical



Controls/Electrical

Dash (SN 550 - 557)	Fig	08-01
Dash (SN 558-)	Fig	08-01R01
Controls (SN 550-557)	Fig	08-02
Controls (SN 558-)	Fig	08-02R01
Controls-Additional Features (SN 550-557)	Fig	08-03
Controls-Additional Features (SN 558-)	Fig	08-03R01
Attachment Control	Fig	08-04
Steering Load Control	Fig	08-05
Key Panel (SN 550-557)	Fig	08-06
Key Panel (SN 558-577)	Fig	08-06R01
Key Panel (SN 578-)	Fig	08-06R02
Switch Panel (SN 550-557)	Fig	08-07
Switch Panel (SN 558-)	Fig	08-07R01
Boom Control	Fig	08-08
Throttle Switch	Fig	08-09
Throttle Switch Extension	Fig	08-10
Propel Panel	Fig	08-11
Conveyor Control	Fig	08-12
Main Controls-Tier 3	Fig	08-13
Main Controls-Tier 4	Fig	08-14
Fuel Relay-Tier 4 Final	Fig	08-14X01
Valve Controllers (SN 550-560)	Fig	08-15
Valve Controllers (SN 561-)	Fig	08-15R01
Engine Harness-Tier 3	Fig	08-16
Engine Harness-Tier 3	Fig	08-16X01
Can Back Bone \ Cab Harness-Tier 3	Fig	08-16X02
Engine Harness-Tier 4 Final	Fig	08-17
Engine Harness- Tier 4 Final	Fig	08-17X01
Tier 4 Final CEM Harness	Fig	08-17X02
Tier 4 Final PETU Harness	Fig	08-17X03
Left TRack Yellow PPU Harness	Fig	08-17X04
Right Track Tan PPU Harness	Fig	08-17X05
Extension / Backbone Harness	Fig	08-17X06
Dash Harness (SN 550-557)	Fig	08-17X07
Harness-Dash (SN 558-)	Fig	08-17X07R01
Dash Harness (SN 550-557)	Fig	08-17X08
Harness-Dash (SN 558-)	Fig	08-17X08R01
Can Backbone Machine Harness	Fig	08-17X09
Valve Harness	Fig	08-17X10
Valve Harness	Fig	08-17X11
Jumper Harness	Fig	08-17X12
Harness-Dash DP720 USB (SN 558-)	Fig	08-17X13
Fuse Box	Fig	08-18
Horn	Fig	08-19
Back-Up Alarm	Fig	08-20
Battery	Fig	08-21
Battery Disconnect	Fig	08-22
Cables	Fig	08-23
Wire Harness Bracket	Fig	08-24
Clutch Actuator-Tier 3	Fig	08-25
Clutch Actuator-Tier 4 Final	Fig	08-26
Wireless Attachment Control-Mount	Fig	08-27
Wireless Attachment Control-RAC	Fig	08-28

Controls/Electrical

Provided for Free by Trenchwell.com
Shop Aftermarket Parts

Controls/Electrical

Wireless Attachment Control-Antenna	Fig	08-29
Wireless Attachment Control Base	Fig	08-30
Wireless Attachment Control-Harness	Fig	08-31
Wireless Attachment Control-Base Mount	Fig	08-32
Wireless Attachment Control-Hole Plug	Fig	08-33
Programming Tools	Fig	08-34
DEF Warning Light	Fig	08-35
Wireless Full Function Remote Beacon	Fig	08-36
Wireless Full Function Remote Control	Fig	08-37
Wireless Full Function Remote Base	Fig	08-38
Wireless Full Function Remote-Antenna	Fig	08-39
Wireless Full Remote Remote Control-Harness	Fig	08-40
Wireless Full function Remote Carrying Case	Fig	08-41
Wireless Full Function Remote Shipping Assembly	Fig	08-42
Telematics (SN 550-576)	Fig	08-43
Telematics (SN 577-)	Fig	08-43R01
TCU Adapter Harness (SN 550-576)	Fig	08-44
TCU Adapter Harness (SN 577-)	Fig	08-44R01

Provided for Free by Trenchwell.com
Shop Aftermarket Parts

Dash (SN 550 - 557)

Fig 08-01

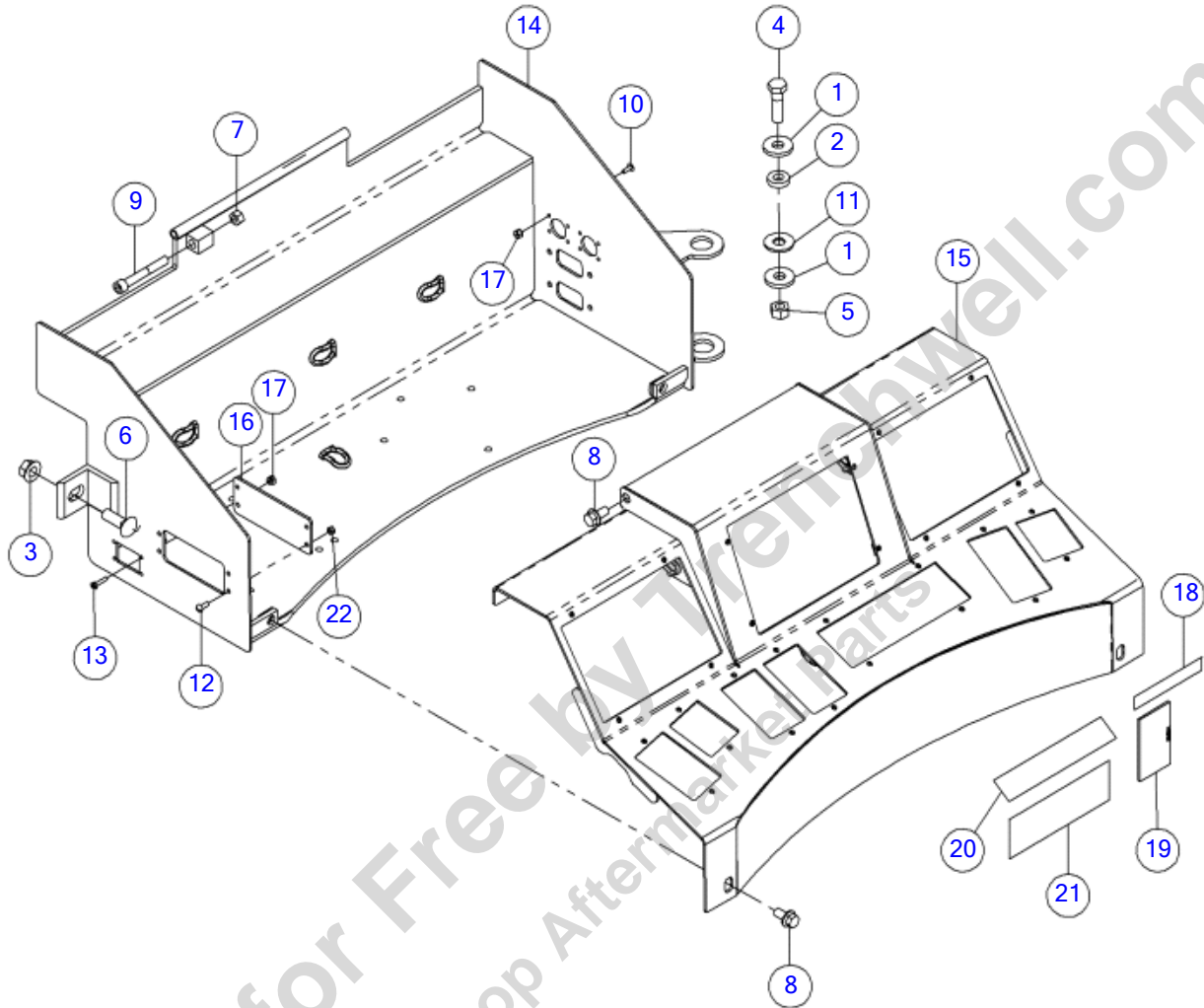


Illustration No: 635502697 - Not For Ordering

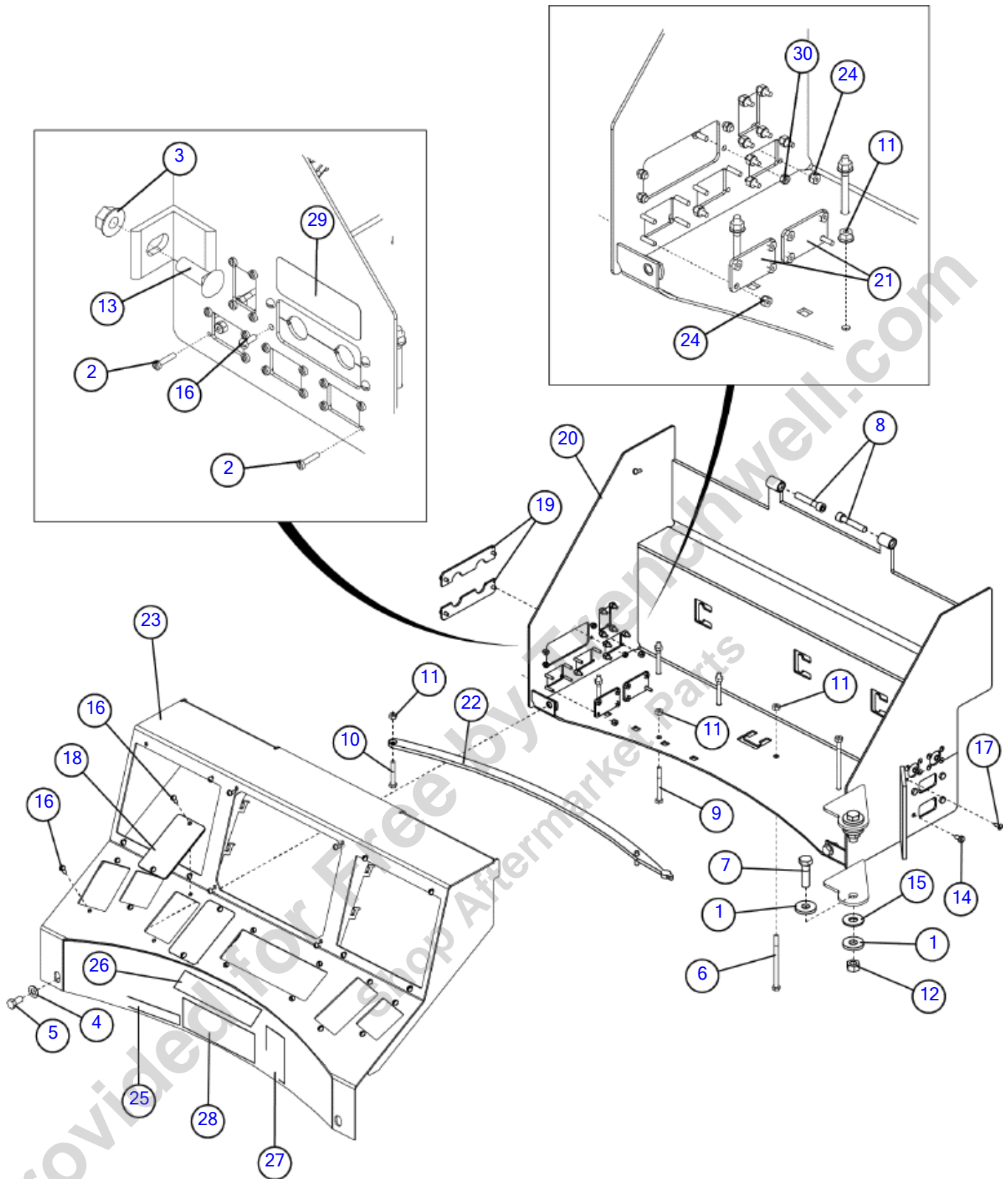
Dash (SN 550 - 557)

Fig 08-01

REF NO.	PART NO.	DESCRIPTION	QTY.	REMARKS
1	101134001	WASHER-.531 ID X 1.38OD - .188 THICKNESS ZINC	4	
2	1082041	TUBING RND 1in OD X 1/2 ID .25	2	
3	1809001	NUT-SMFLGCTRLOCK-.50-13-G-CZ	1	
4	240334001	SCREW-HCS-.50-13X1.75-GR8-YZ	2	
5	250512001	NUT- 1/2 NC Gr8 TOP LOCK Y/ ZINC	2	
6	377014	BOLT-CARG-.50-13X1.50-GR5-CZ	1	
7	416001	NUT-3/8 NC SLTL	1	
8	4475006	BOLT-3/8-16X3/4 FLG WHIZ	4	
9	4478026	CAPSCREW-3/8-16X2 3/4 SOC HD	1	
10	57200001	SCREW-#8-32X1/2 RND.HD.MACH.	4	
11	510337611	WASHER-FLATSTD - .50-.56X1.38-.11-YZ	2	
12	533004	BOLT-10-24X1/2 RND.HD.SLTMACH	1	
13	10530006	SCREW-#8-32X3/4 SLOT RD.HD.	4	
14	627007001	BASE-DASH	1	
15	627011001	TOP-DASH	1	
16	631863785	PLATE-USB BLANK COVER	1	
17	69759001	LOCK NUT-#8-32 NYLON INSERT PL	4	
18	7000A256	DECAL-PRESENCE SYSTEM (AT)	1	
19	700IC144	DECAL-CHECK ACCUMULATOR	1	
20	7000D550	DECAL-TEC PLUS	1	
21	700ID471	DECAL-SHUT DOWN PROCEDURE	1	
22	99042001	NUT-NYLOCK-#10-24-GR2-CZ	2	

Dash (SN 558-)

Fig 08-01R01



Dash (SN 558-)

Fig 08-01R01

REF NO.	PART NO.	DESCRIPTION	QTY.	REMARKS
1	101134001	WASHER-.531 ID X 1.38OD - .188 THICKNESS ZINC	4	
2	10530006	SCREW-#8-32X3/4 SLOT RD.HD.	16	
3	1809001	NUT-SMFLGCTRLOCK-.50-13-G-CZ	1	
4	235713001	3/8 F436 HARDENED FLAT WASHER	2	
5	235726001	BOLT-3/8-16X3/4 GR8 HEX	2	
6	238243001	SCREW - HCS- .25 - 20 X 4.00 - GR8 -YZ	2	
7	240334001	SCREW-HCS-.50-13X1.75-GR8	2	
8	243918001	CAPSCREW-3/8-16X2 SOC.HD ZP	2	
9	244102001	BOLT-14-200X2 1/2 GR8	4	
10	248107001	BOLT-1/4-20X1 3/4 GR 8	1	
11	248198001	NUT-1/4 - 20 GR8 TOP LOCK	7	
12	250512001	NUT- 1/2 NC Gr8 TOP LOCK	2	
13	377012	BOLT-CARG-.50-13X1.25-GR5-CZ	1	
14	506031010	SCREW-HCS,M6-1.00X10,8.8,D933,FT	4	
15	510337611	WASHER-FLATSTD - .50-.56X1.38-.11	2	
16	533004	BOLT-10-24X1/2 RND.HD.SLTMACH	32	
17	57200001	SCREW-#8-32X1/2 RND.HD.MACH.	8	
18	627065001	PLATE-CONTROL MOUNT	2	
19	631863629	PLATE-USB	2	
20	631863872	BOTTOM-DASH	1	
21	631863939	PLATE-COVER	2	
22	631864474	ROD-PROP	1	
23	631868354	WELDMENT-DASH TOP	1	
24	69759001	LOCK NUT-#8-32 NYLON INSERT PL	24	
25	7000A256	DECAL-PRESENCE SYSTEM (AT)	1	
26	7000D550	DECAL-TEC PLUS	1	
27	700IC144	DECAL-CHECK ACCUMULATOR	1	
28	700ID471	DECAL-SHUT DOWN PROCEDURE	1	
29	700IG583	DECAL - DASH USB	1	
30	99042001	NUT-NYLOCK-#10-24-GR2-CZ	4	

Controls (SN 550-557)

Fig 08-02

NOTE: CONTROLLERS AND MODULES MUST BE PROGRAMMED BEFORE INSTALLATION. REFER TO TEC PLUS SERVICE MANUAL FOR PROGRAMMING INSTRUCTIONS AND COMPASS FOR LATEST CODE RELEASE.

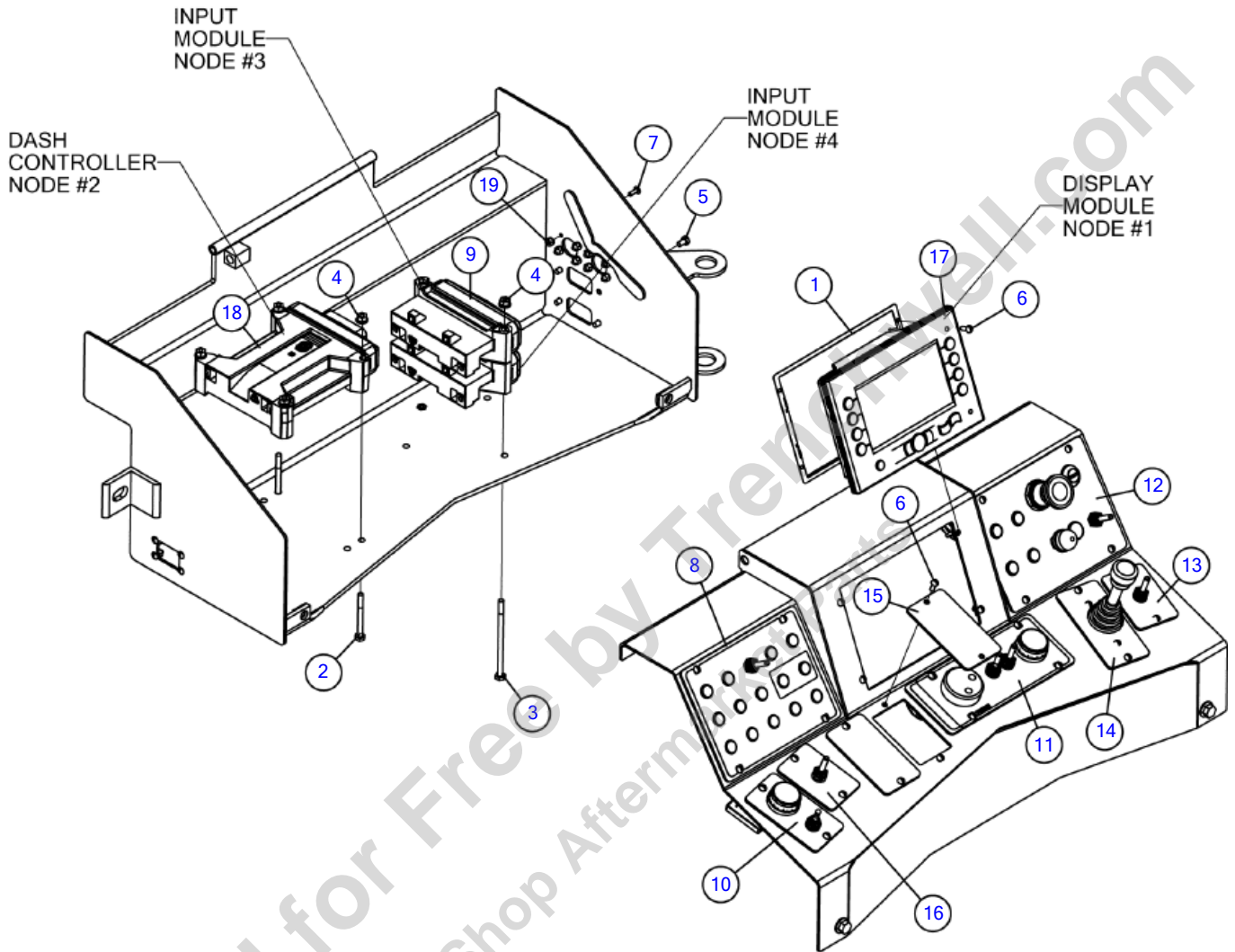


Illustration no.635502697-Not For Ordering

Controls (SN 550-557)

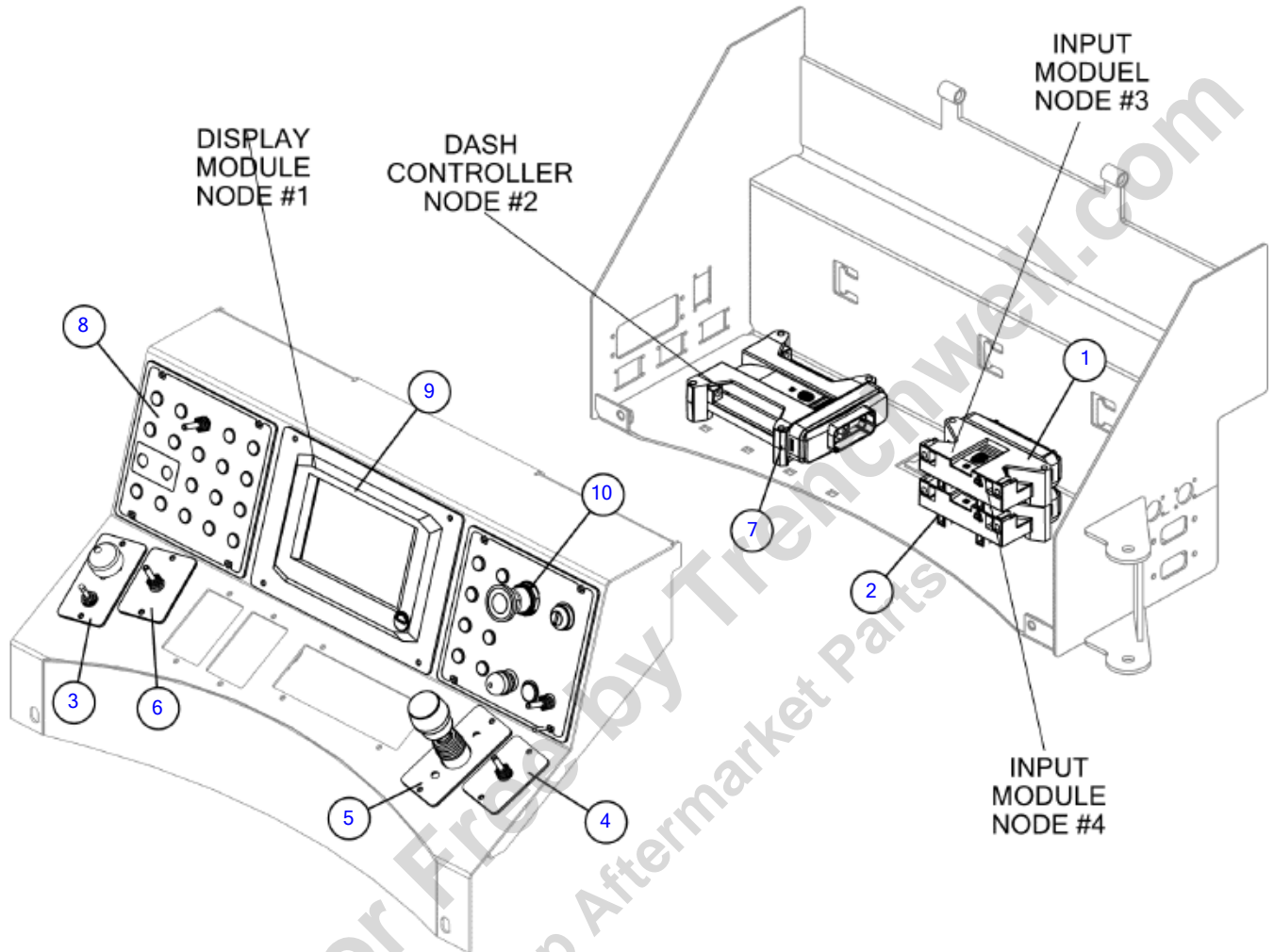
Fig 08-02

REF NO.	PART NO.	DESCRIPTION	QTY.	REMARKS
1	296276094	DP600 MOUNTING SPRING CLIP	1	
2	350024	BOLT - 1/4-20X2 1/2"GRADE #5HEX	1	
3	350044	BOLT-1/4-20X4 1/2 HEXHD GR.5	1	
4	405001	NUT-1/4 NC FLG WHIZ LOCK	2	
5	506031010	SCREW-HCS,M6-1.00X10,8.8,YZ,D933,FT	4	
6	533004	BOLT-10-24X1/2 RND.HD.SLTMACH	28	
7	57200001	SCREW-#8-32X1/2 RND.HD.MACH.	12	
8	625993001	SWITCH PANEL ASSY	1	Breakdown Fig.8-7
9	296276085	INPUT MODULE - PLUS 1	2	Requires Programming
10	626977001	CONTROLS/ELECTRICAL-ATTACHMENT CONTROL COMPONENTS	1	Breakdown Fig.8-4
11	626979001	CONTROLS/ELECTRICAL-STEERING/LOAD CONTROL	1	Breakdown Fig.8-5
12	626982001	CONTROLS/ELECTRICAL-KEY PANEL	1	Breakdown Fig.8-6
13	626990001	THROTTLE ASSEMBLY	1	Breakdown Fig.8-9
14	626992001	HANDLE ASSEMBLY-PROPEL	1	Breakdown Fig.8-11
15	627065001	PLATE-CONTROL MOUNT	2	
16	631860227	SWITCH ASSEMBLY-BOOM	1	Breakdown Fig.8-8
17	IK043050	SMARTTEC DISPLAY UPGRADE	1	Requires Programming (Inc. Ref.1)
17	(631863127)	COLOR DISPLAY DP600LX	1	Requires Programming (Inc. Ref.1)
18	631863126	CONTROLLER-MC50-120 (UNPROGRAMMED)	1	Requires Programming
19	69759001	LOCK NUT-#8-32 NYLON INSERT PL	12	

Controls (SN 558-)

Fig 08-02R01

NOTE: REFER TO ELECTRICAL SYSTEM REFERENCE AND DIAGNOSTIC MANUAL FOR PROGRAMMING INSTRUCTIONS AND COMPASS FOR LATEST CODE RELEASE



Controls (SN 558-)

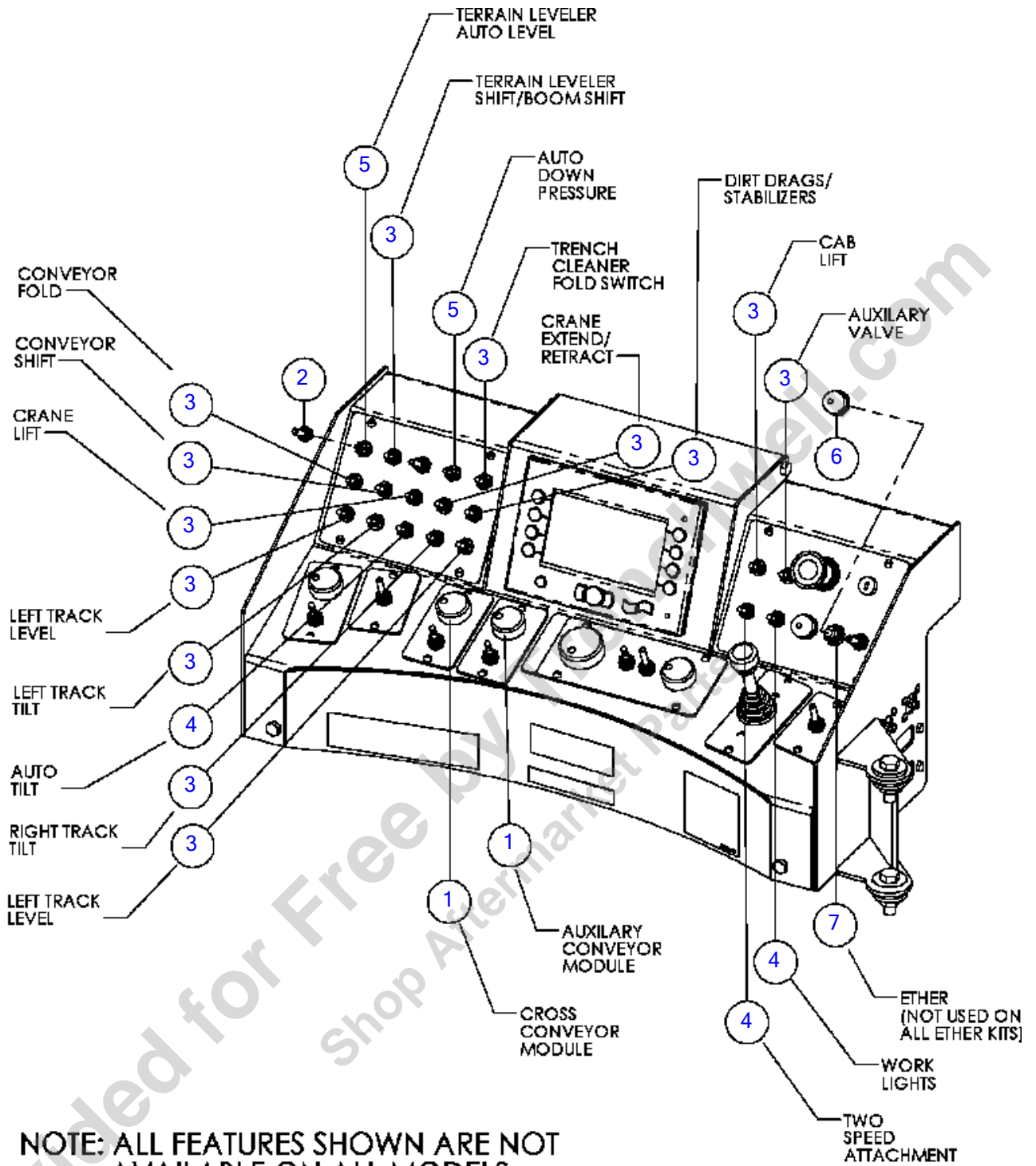
Fig 08-02R01

REF NO.	PART NO.	DESCRIPTION	QTY.	REMARKS
1	626647001	MODULE-INPUT #1	1	Requires Programming
2	626648001	MODULE-INPUT #2	1	Requires Programming
3	626977001	CONTROLS/ELECTRICAL-ATTACHMENT CONTROL COMPONENTS	1	Refer To Fig 8-4
4	626990001	THROTTLE ASSEMBLY	1	Refer To Fig 8-9
5	626992001	HANDLE ASSEMBLY-PROPEL	1	Refer To Fig 8-11
6	631860227	SWITCH ASSEMBLY-BOOM	1	Refer To Fig 8-8
7	631863138	CONTROLLER ASSEMBLY-DASH V2	1	Requires Programming
8	631863885	PANEL ASSEMBLY-SWITCH	1	Refer To Fig 8-7
9	631863888	DISPLAY ASSEMBLY	1	Requires Programming
10	631863892	CONTROLS/ELECTRICAL-KEY PANEL	1	Refer To Fig 8-6R01

Provided for Free by Trenchwell.com
Shop Aftermarket Parts

Controls-Additional Features (SN 550-557)

Fig 08-03



NOTE: ALL FEATURES SHOWN ARE NOT AVAILABLE ON ALL MODELS.

Controls-Additional Features (SN 550-557)

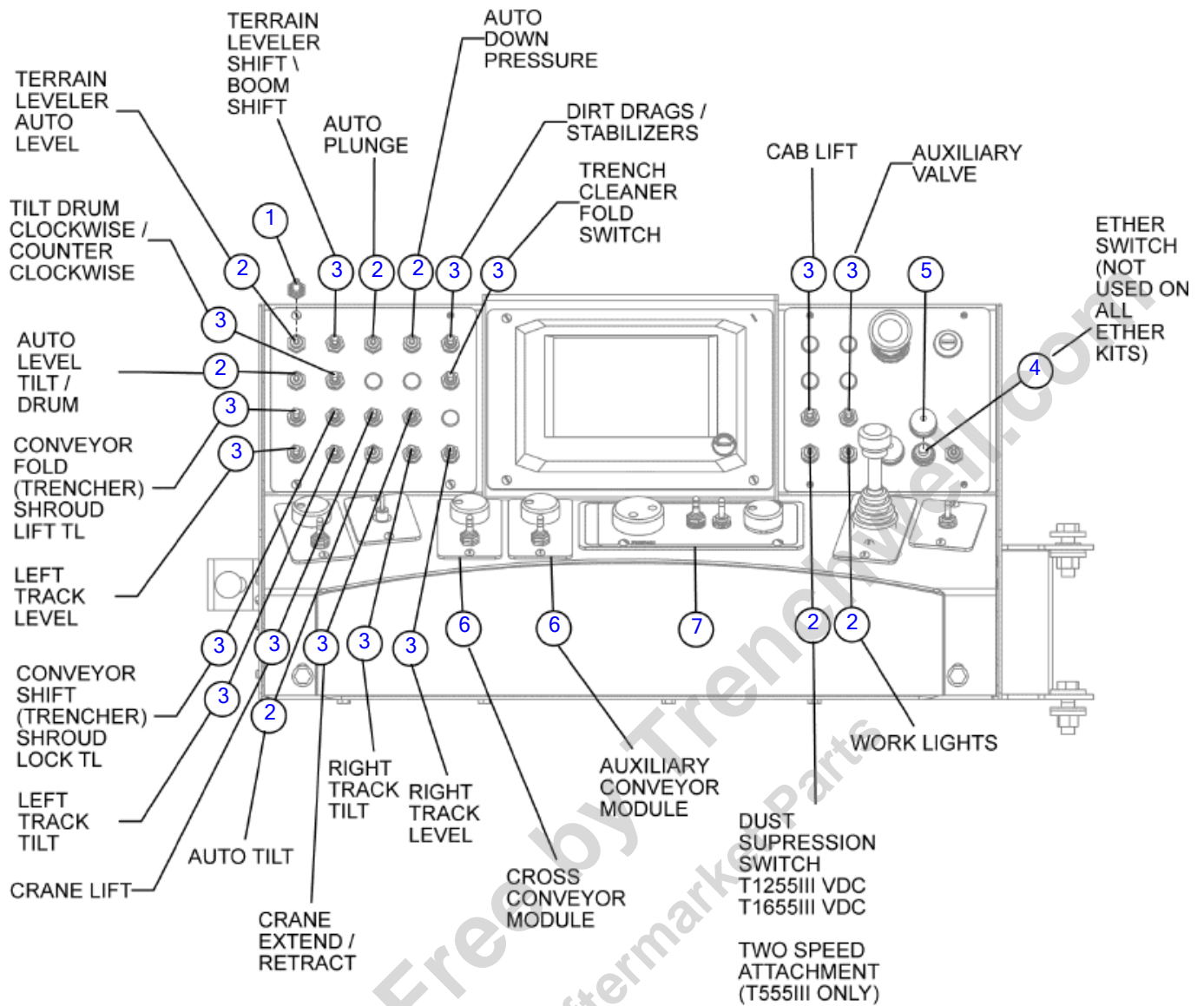
Fig 08-03

REF NO.	PART NO.	DESCRIPTION	QTY.	REMARKS
1	627064001	MODULE-CONVEYOR CONTROL	A/R	Breakdown Fig 8-12
2	5537001	COVER-TOGGLE SWITCH	A/R	
3	57938001	SWITCH-8510K2	A/R	
4	67081001	MICROSWITCH 88881NT1-3	A/R	
4	(625896001)	SWITCH-1NT1-3	A/R	
5	67081001	MICROSWITCH 88881NT1-3	A/R	
6	90622001	COVER-PUSHBUTTON SWITCH 5/8-32	A/R	
7	66816001	SWITCH - MOMENTARY	A/R	

Provided for Free by Trenchwell.com
Shop Aftermarket Parts

Controls-Additional Features (SN 558-)

Fig 08-03R01



NOTE: ALL FEATURES SHOWN ARE NOT AVAILABLE ON ALL MODELS

Controls-Additional Features (SN 558-)

Fig 08-03R01

REF NO.	PART NO.	DESCRIPTION	QTY.	REMARKS
1	5537001	COVER-TOGGLE SWITCH	A/R	
2	67081001	MICROSWITCH 88881NT1-3	A/R	
3	57938001	SWITCH-8510K2	A/R	
4	66816001	SWITCH - MOMENTARY	A/R	
5	90622001	COVER-PUSHBUTTON SWITCH 5/8-32	A/R	
6	627064001	MODULE-CONVEYOR CONTROL	A/R	Refer To Fig. 8-12
7	626979001	CONTROLS/ELECTRICAL-STEERING/LOAD CONTROL	A/R	Refer To Fig. 8-5

Provided for Free by Trenchwell.com
Shop Aftermarket Parts

Attachment Control

Fig 08-04

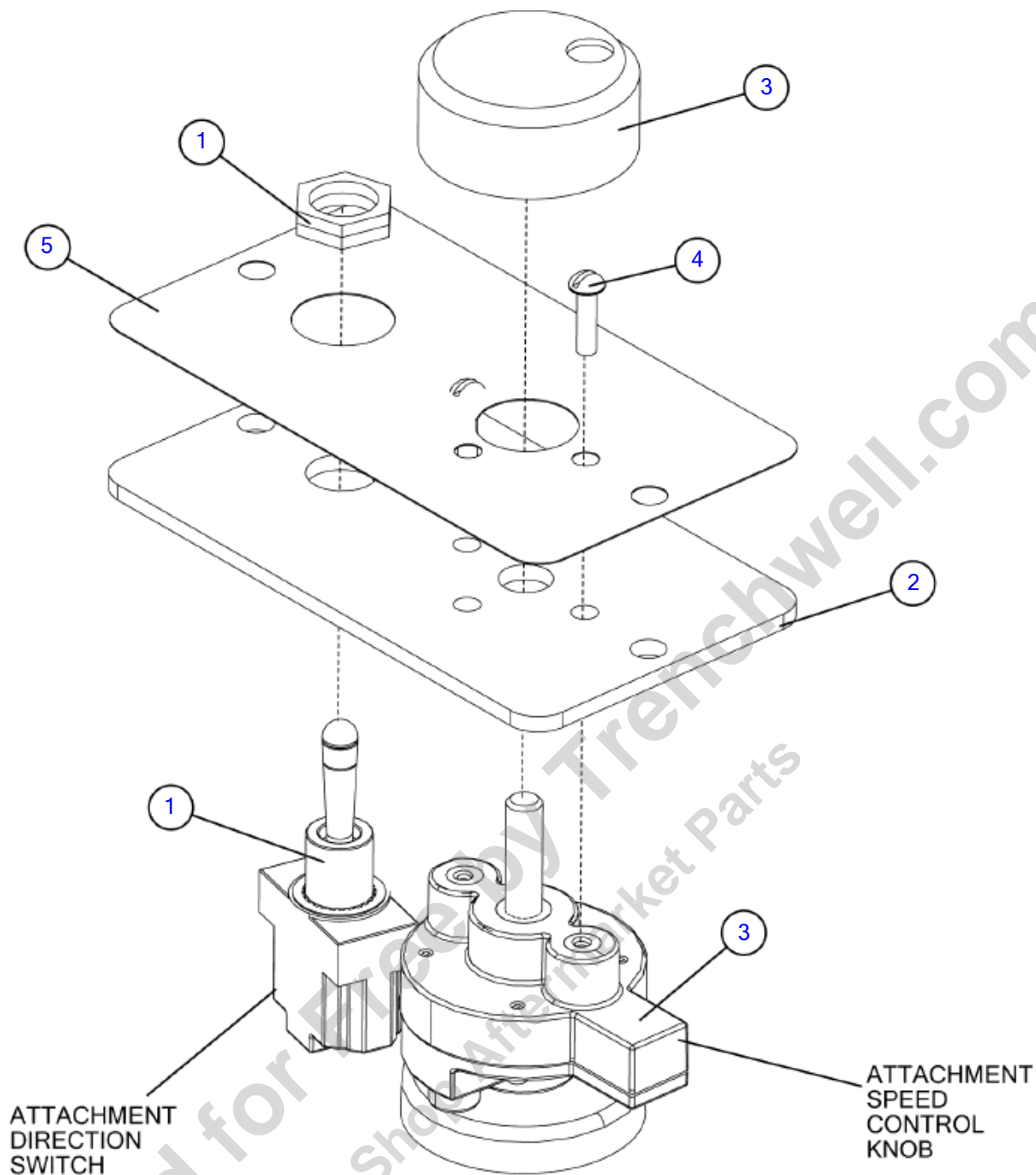


Illustration No. 626977001 - Not For Ordering

Attachment Control

Fig 08-04

REF NO.	PART NO.	DESCRIPTION	QTY.	REMARKS
1	625895001	SWITCH 1TL1 1E	1	
2	626976001	PLATE-CONTROL MOUNT	1	
3	631867466	ROTARY HALL KNOB ASSY	1	
4	63737001	SCREW-6-32X1/2 MACHINE	2	
5	700ID266	DECAL-ATTACHMENT CONTROLS	1	

Provided for Free by Trenchwell.com
Shop Aftermarket Parts

Steering Load Control

Fig 08-05

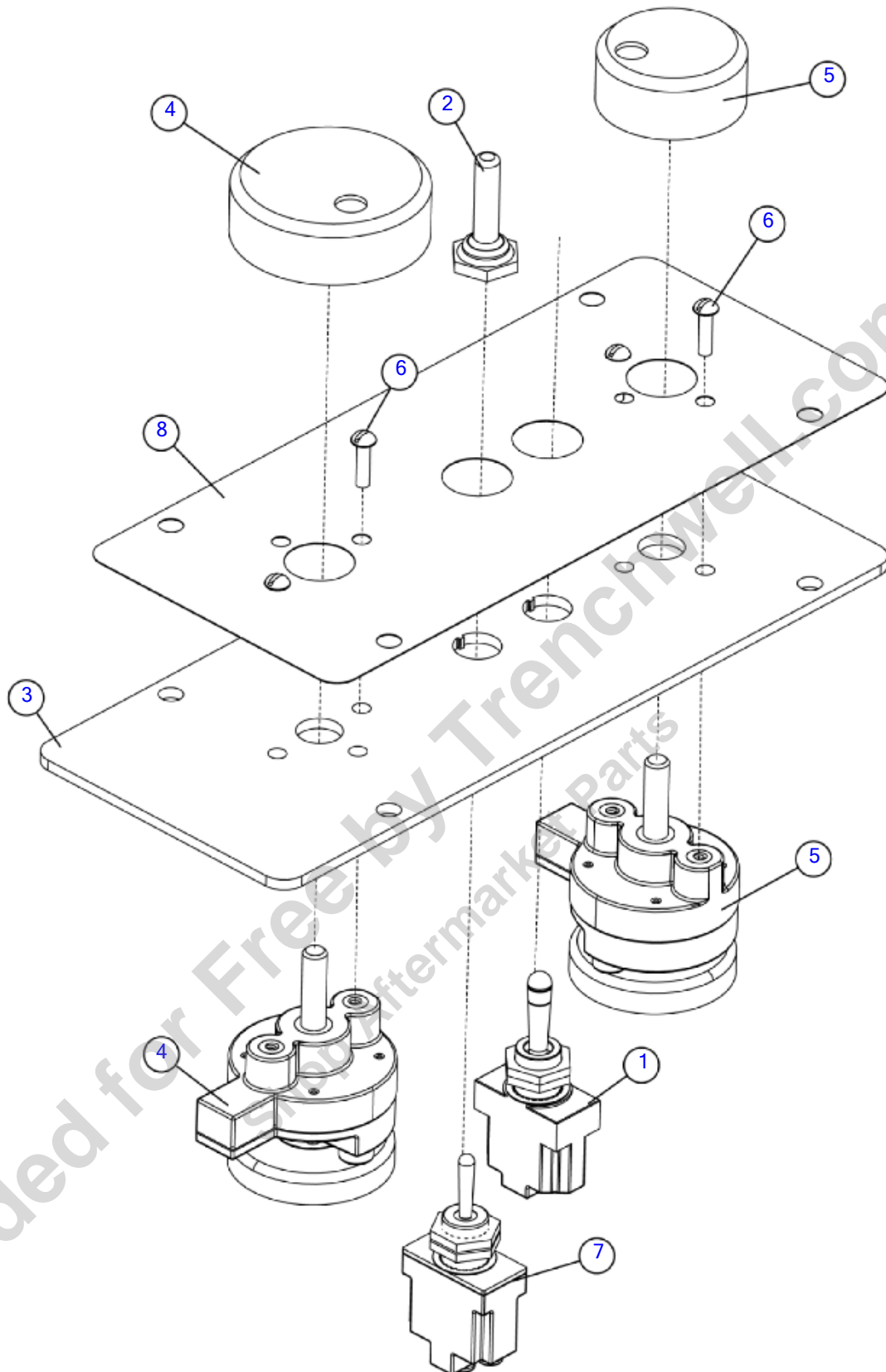


Illustration No. 626979001 Not For Ordering

Steering Load Control

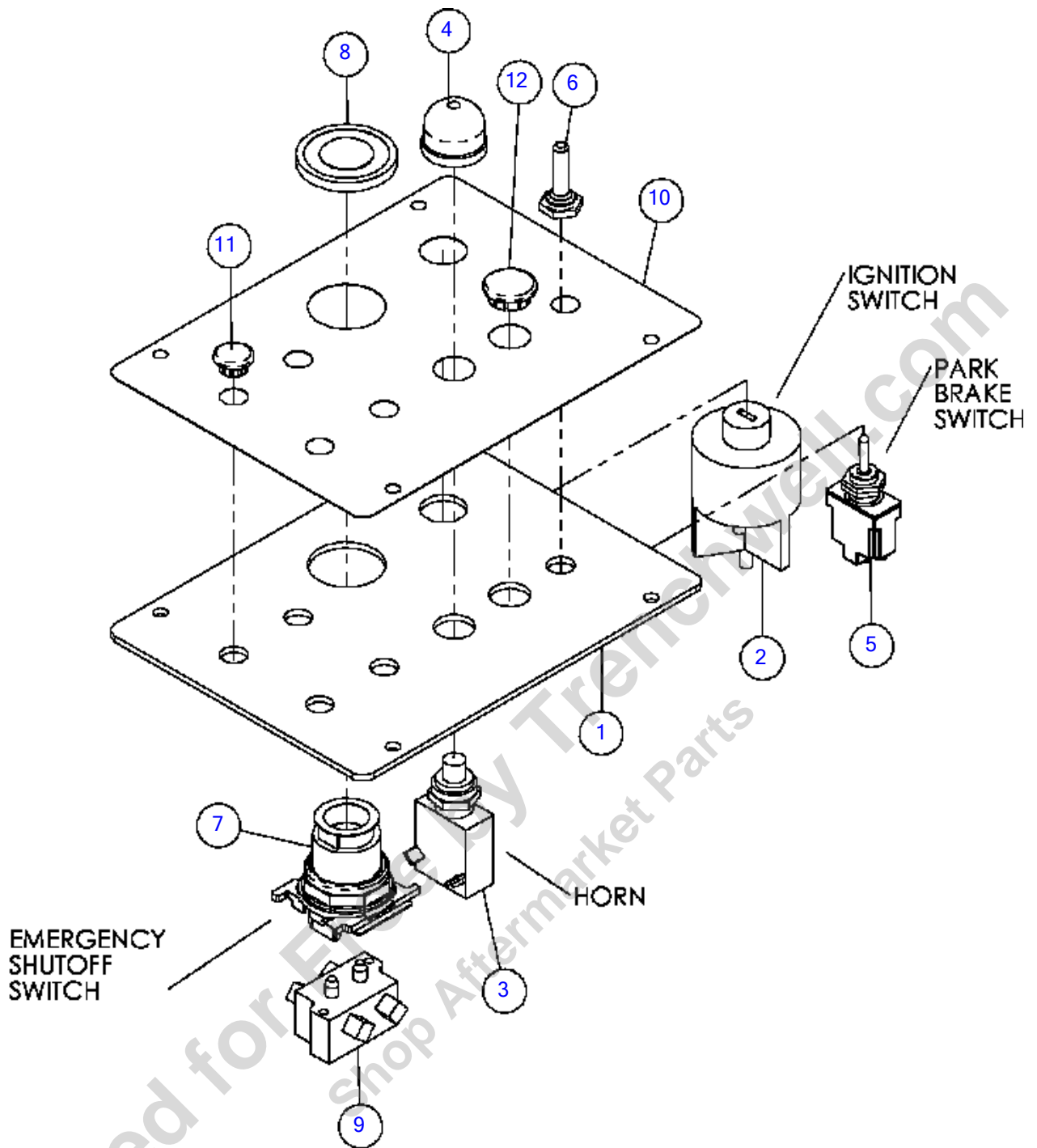
Fig 08-05

REF NO.	PART NO.	DESCRIPTION	QTY.	REMARKS
1	296444552	SWITCH - 1TL1-1A	1	
2	5537001	COVER-TOGGLE SWITCH	1	
3	626978001	PANEL-PROPEL/STEERING	1	
4	631867465	STEERING KNOB	1	
5	631867466	ROTARY HALL KNOB ASSY	1	
6	63737001	SCREW-6-32X1/2 MACHINE	4	
7	67081001	MICROSWITCH 88881NT1-3	1	
8	700ID263	DECAL-STEERING PANEL	1	

Provided for Free by Trenchwell.com
Shop Aftermarket Parts

Key Panel (SN 550-557)

Fig 08-06



Key Panel (SN 550-557)

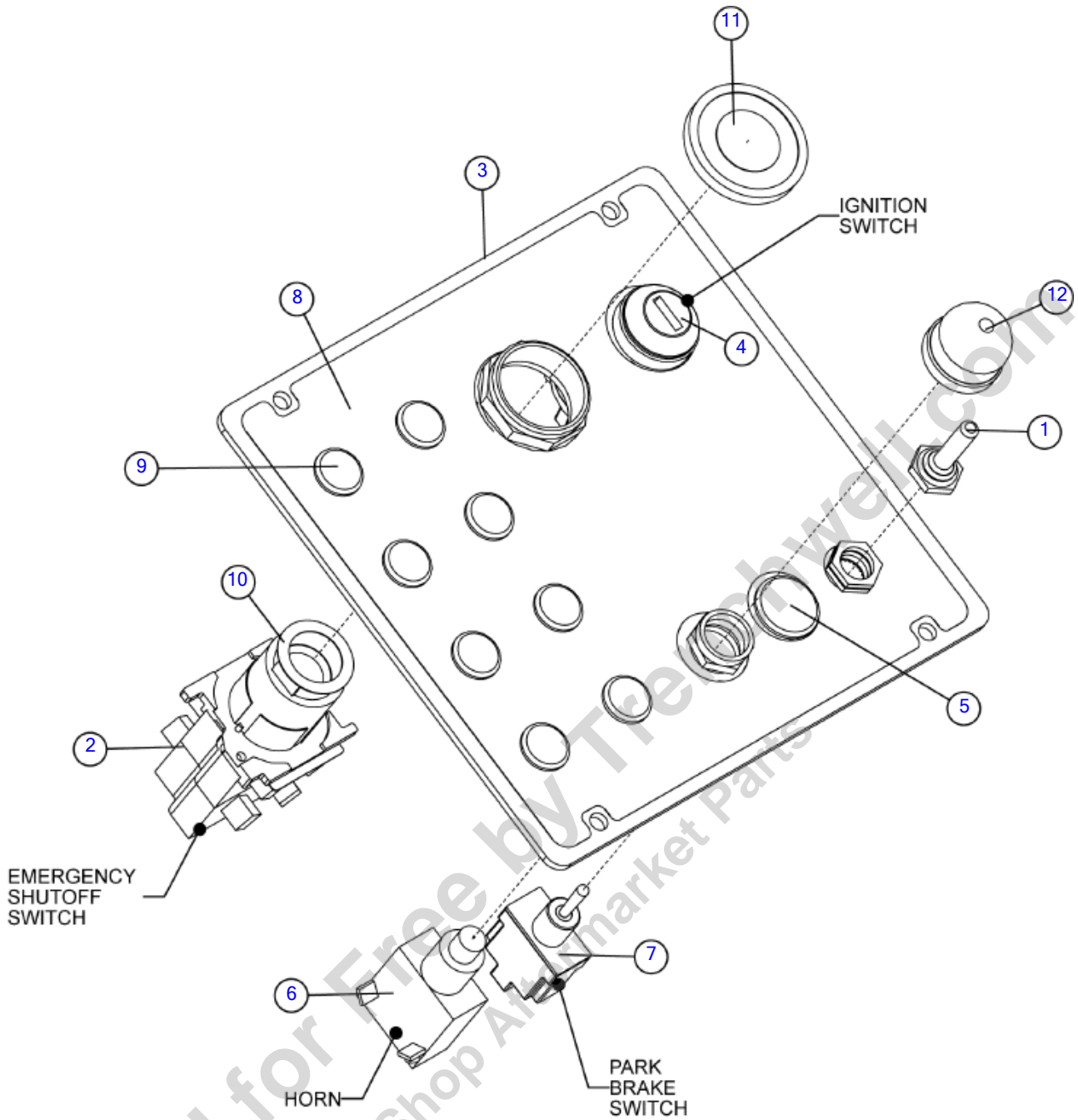
Fig 08-06

REF NO.	PART NO.	DESCRIPTION	QTY.	REMARKS
1	626981001	PANEL-KEY	1	
2	63579001	SWITCH 1219 GENERAL	1	
	66462001	KEY- NG- 100/1219 GENERAL	1	
3	66816001	SWITCH - MOMENTARY	1	
4	90622001	COVER-PUSHBUTTON SWITCH 5/8-32	1	
5	67081001	MICROSWITCH 88881NT1-3	1	
6	5537001	COVER-TOGGLE SWITCH	1	
7	86575001	OPERATOR-PUSH/PULL W/O BUTTON	1	w/o Button
8	904563001	E-STOP LENS	1	
9	627015001	CONTACT BLOCK	1	
10	700ID269	DECAL-KEY PANEL	1	
11	79942001	PLUG-15/32 BUTTON #D2724 DULL BLACK	4	
12	65977001	PLUG-11/16 HOLE ARDEN-DP 687	1	
	626982001	CONTROLS/ELECTRICAL-KEY PANEL	A/R	Inc Ref 1-12 (Refer To Fig 8-2R01)

Provided for Free by Trenchwell.com
Shop Aftermarket Parts

Key Panel (SN 558-577)

Fig 08-06R01



Key Panel (SN 558-577)

Fig 08-06R01

REF NO.	PART NO.	DESCRIPTION	QTY.	REMARKS
1	5537001	COVER-TOGGLE SWITCH	1	
2	627015001	CONTACT BLOCK	2	
3	631863891	PANEL-KEY	1	
4	635215478	ASSY - IGNITION SWITCH WITH KEY	1	
4	(63579001)	SWITCH 1219 GENERAL	1	
5	65977001	PLUG-11/16 HOLE ARDEN-DP 687	1	
6	66816001	SWITCH - MOMENTARY	1	
7	67081001	MICROSWITCH 88881NT1-3	1	
8	700IG613	DECAL-KEY SWITCH MODULE	1	
9	79942001	PLUG-15/32 BUTTON #D2724 DULL BLACK	8	
10	86575001	OPERATOR-PUSH/PULL W/O BUTTON	1	
11	904563001	E-STOP LENS	1	
12	90622001	COVER-PUSHBUTTON SWITCH 5/8-32	1	
	631863892	CONTROLS/ELECTRICAL-KEY PANEL	A/R	Inc Ref. 1-12 (Refer To Fig. 8-2R01)

Provided for Free by Trenchwell.com
Shop Aftermarket Parts

Key Panel (SN 578-)

Fig 08-06R02

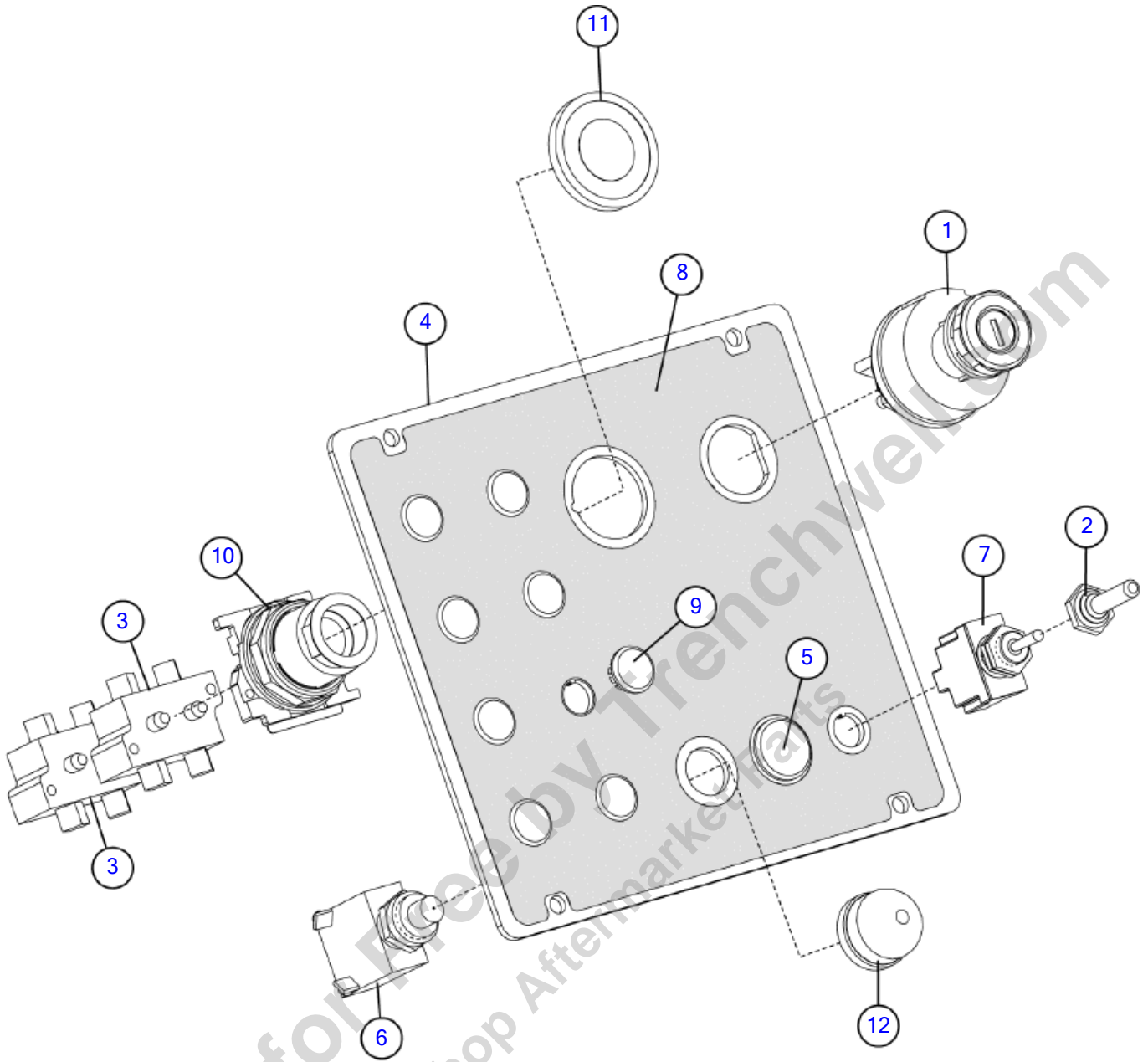


Illustration No: 631863892 - Not For Ordering

Key Panel (SN 578-)

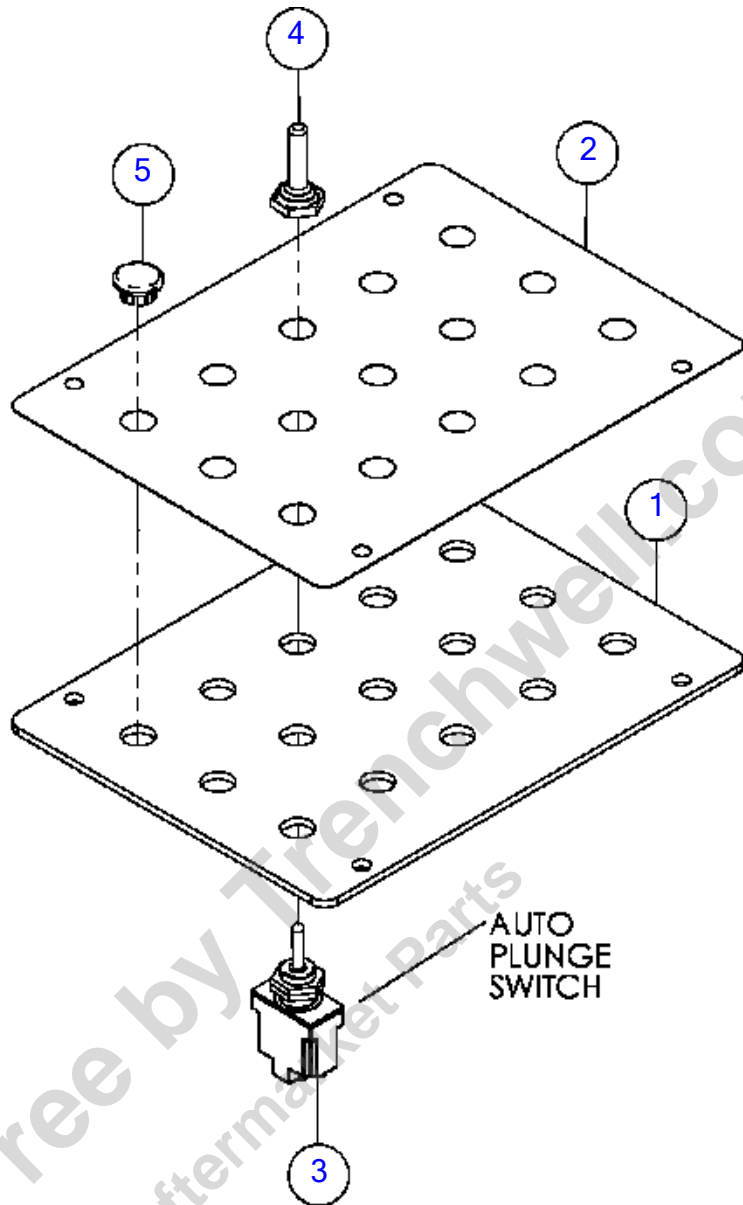
Fig 08-06R02

REF NO.	PART NO.	DESCRIPTION	QTY.	REMARKS
1	163673758	SWITCH-KEY 3 POS FOUR TERMINAL	1	
2	5537001	COVER-TOGGLE SWITCH	1	
3	627015001	CONTACT BLOCK	2	
4	641863891	PANEL-KEY	1	
5	65977001	PLUG-11/16 HOLE ARDEN-DP 687	1	
6	66816001	SWITCH - MOMENTARY	1	
7	67081001	MICROSWITCH 88881NT1-3	1	
8	700IH798	DECAL-KEY SWITCH MODULE	1	
9	79942001	PLUG-15/32 BUTTON #D2724 DULL BLACK	8	
10	86575001	OPERATOR-PUSH/PULL W/O BUTTON	1	
11	904563001	E-STOP LENS	1	
12	90622001	COVER-PUSHBUTTON SWITCH 5/8-32	1	

Provided for Free by Trenchwell.com
Shop Aftermarket Parts

Switch Panel (SN 550-557)

Fig 08-07



Switch Panel (SN 550-557)

Fig 08-07

REF NO.	PART NO.	DESCRIPTION	QTY.	REMARKS
1	625992001	PANEL-SWITCH	1	
2	700ID270	DECAL-SWITCH PANEL	1	
3	67081001	MICROSWITCH 88881NT1-3	1	
4	5537001	COVER-TOGGLE SWITCH	1	
5	79942001	PLUG-15/32 BUTTON #D2724 DULL BLACK	14	
	625993001	SWITCH PANEL ASSY	A/R	Inc Ref 1-5 (Refer To Fig 8-2)

Provided for Free by Trenchwell.com
Shop Aftermarket Parts

Switch Panel (SN 558-)

Fig 08-07R01

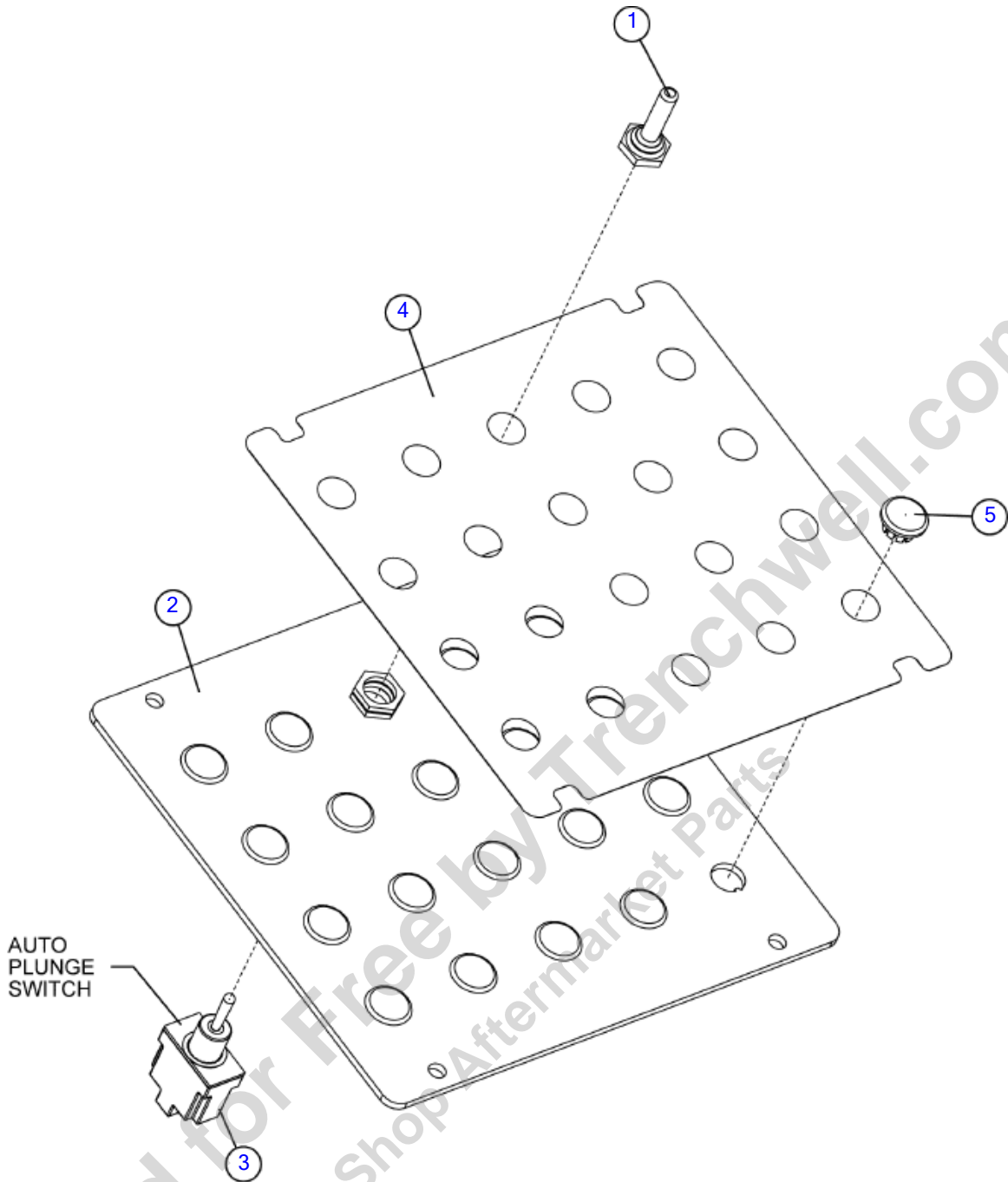


Illustration No.631863885-Not For Ordering

Switch Panel (SN 558-)

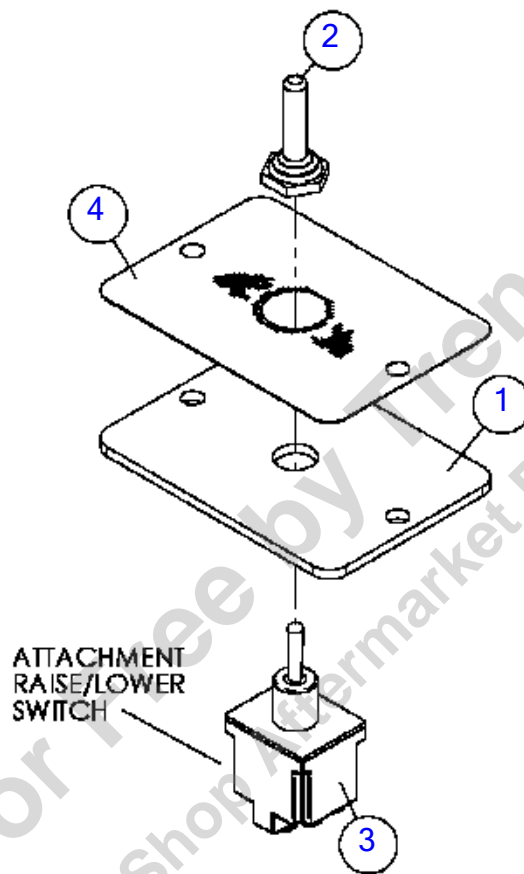
Fig 08-07R01

REF NO.	PART NO.	DESCRIPTION	QTY.	REMARKS
1	5537001	COVER-TOGGLE SWITCH	1	
2	631863884	PANEL-SWITCH	1	
3	67081001	MICROSWITCH 88881NT1-3	1	
4	700IG612	DECAL-SWITCH BAY MODULE	1	
5	79942001	PLUG-15/32 BUTTON #D2724 DULL BLACK	19	
	631863885	PANEL ASSEMBLY-SWITCH	A/R	Inc. Ref.1-5 (Refer To Fig.8-2R01)

Provided for Free by Trenchwell.com
Shop Aftermarket Parts

Boom Control

Fig 08-08



Boom Control

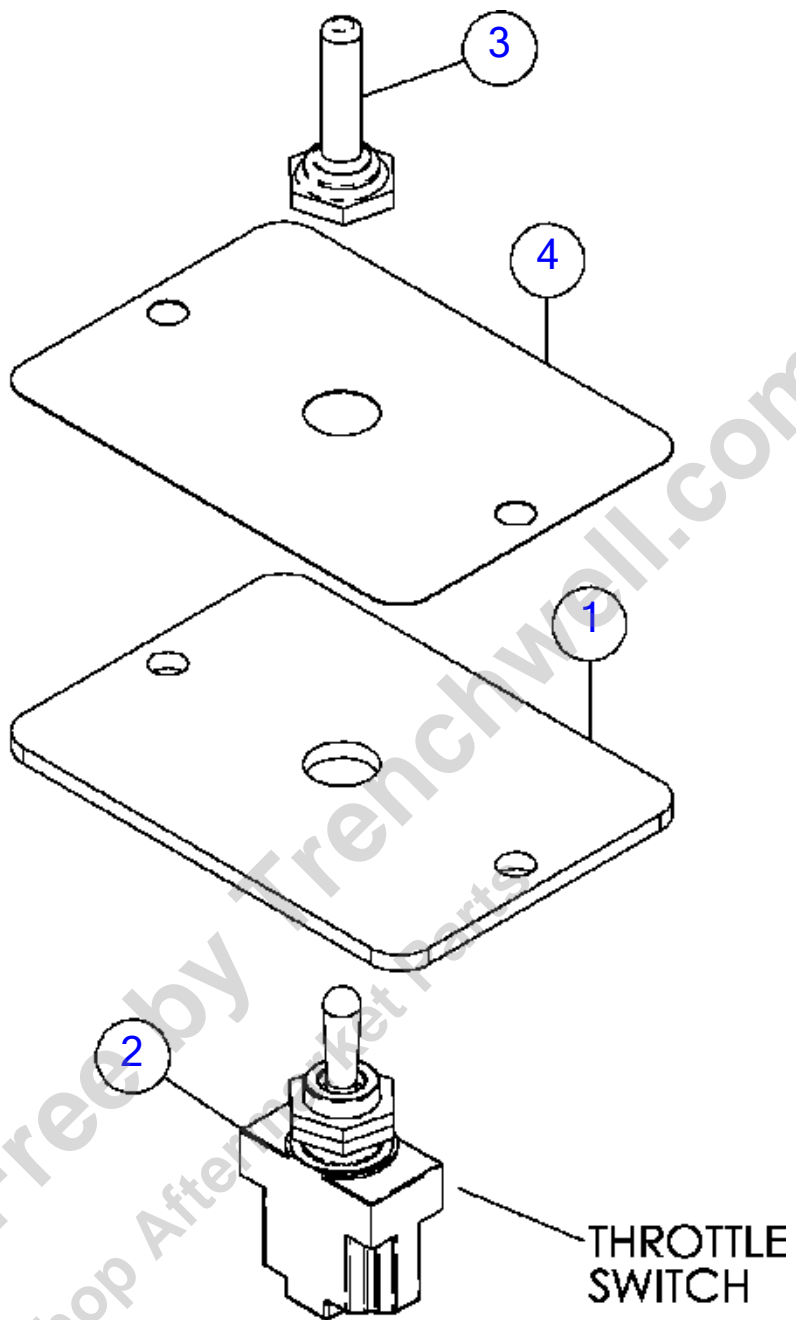
Fig 08-08

REF NO.	PART NO.	DESCRIPTION	QTY.	REMARKS
1	626989001	PLATE-CONTROL MOUNT	1	
2	5537001	COVER-TOGGLE SWITCH	1	
3	78104001	SWITCH-DPDT MOMENTARY	1	
4	700ID268	DECAL-BOOM SWITCH	1	
	631860227	SWITCH ASSEMBLY-BOOM	A/R	Inc Ref 1-4 (Refer To Fig 8-2R01)

Provided for Free by Trenchwell.com
Shop Aftermarket Parts

Throttle Switch

Fig 08-09



Throttle Switch

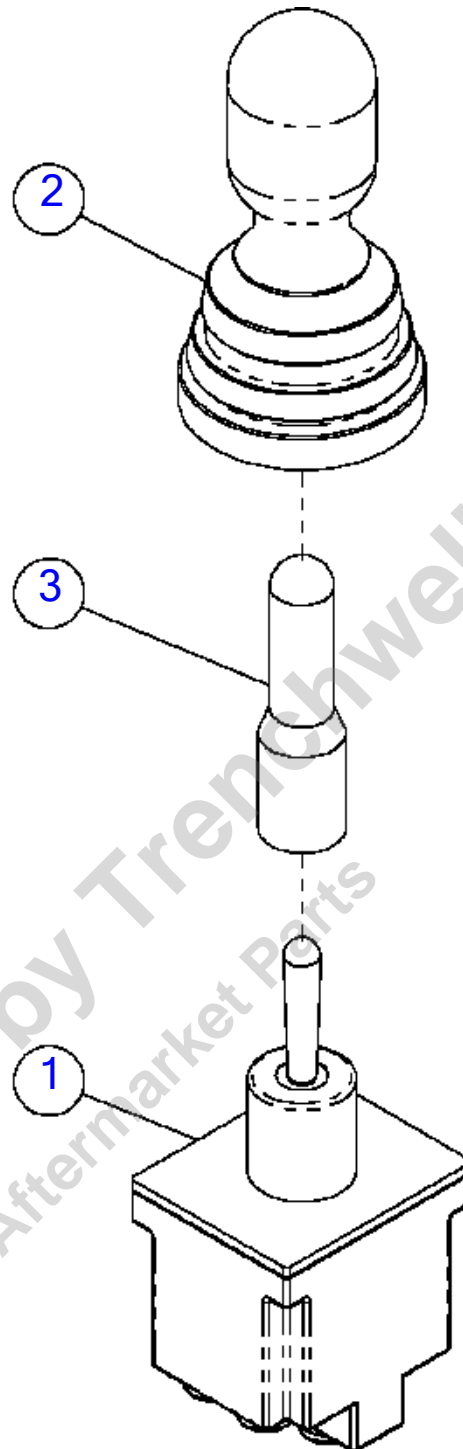
Fig 08-09

REF NO.	PART NO.	DESCRIPTION	QTY.	REMARKS
1	626989001	PLATE-CONTROL MOUNT	1	
2	57938001	SWITCH-8510K2	1	
3	5537001	COVER-TOGGLE SWITCH	1	
4	700ID267	DECAL-THROTTLE CONTROL	1	
	626990001	THROTTLE ASSEMBLY	A/R	Inc Ref 1-4 (Refer To Fig 8-2R01)

Provided for Free by Trenchwell.com
Shop Aftermarket Parts

Throttle Switch Extension

Fig 08-10



Throttle Switch Extension

Fig 08-10

REF NO.	PART NO.	DESCRIPTION	QTY.	REMARKS
1	78104001	SWITCH-DPDT MOMENTARY	1	
2	180013758	BOOT-SWITCH-A-BK-TG-40MM	1	
3	631861509	EXTENSION-CRIMP ON SWITCH	1	
	631861723	SWITCH KIT-EXTENDED DPDT MOMENTARY W/BOOT	A/R	Includes Ref. 1-3

Provided for Free by Trenchwell.com
Shop Aftermarket Parts

Propel Panel

Fig 08-11

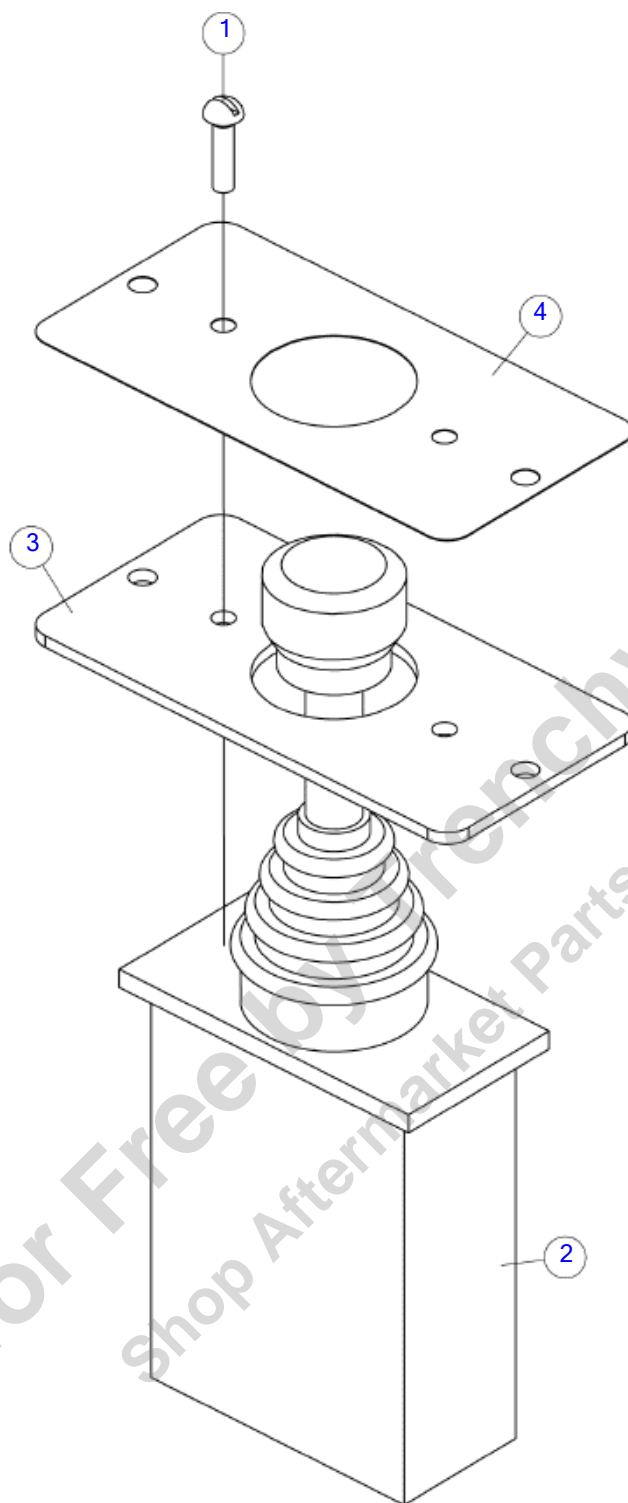


Illustration No.626992001-Not For Ordering

Propel Panel

Fig 08-11

REF NO.	PART NO.	DESCRIPTION	QTY.	REMARKS
1	504543001	10-32X3/4 RH M/S ZP	2	
2	625855001	HANDLE CONTROL	1	
3	626991001	PLATE-CONTROL MOUNT	1	
4	700ID264	DECAL-PROPEL HANDLE	1	
	626992001	HANDLE ASSEMBLY-PROPEL	A/R	Refer To Fig.8-2R01

Provided for Free by Trenchwell.com
Shop Aftermarket Parts

Conveyor Control

Fig 08-12

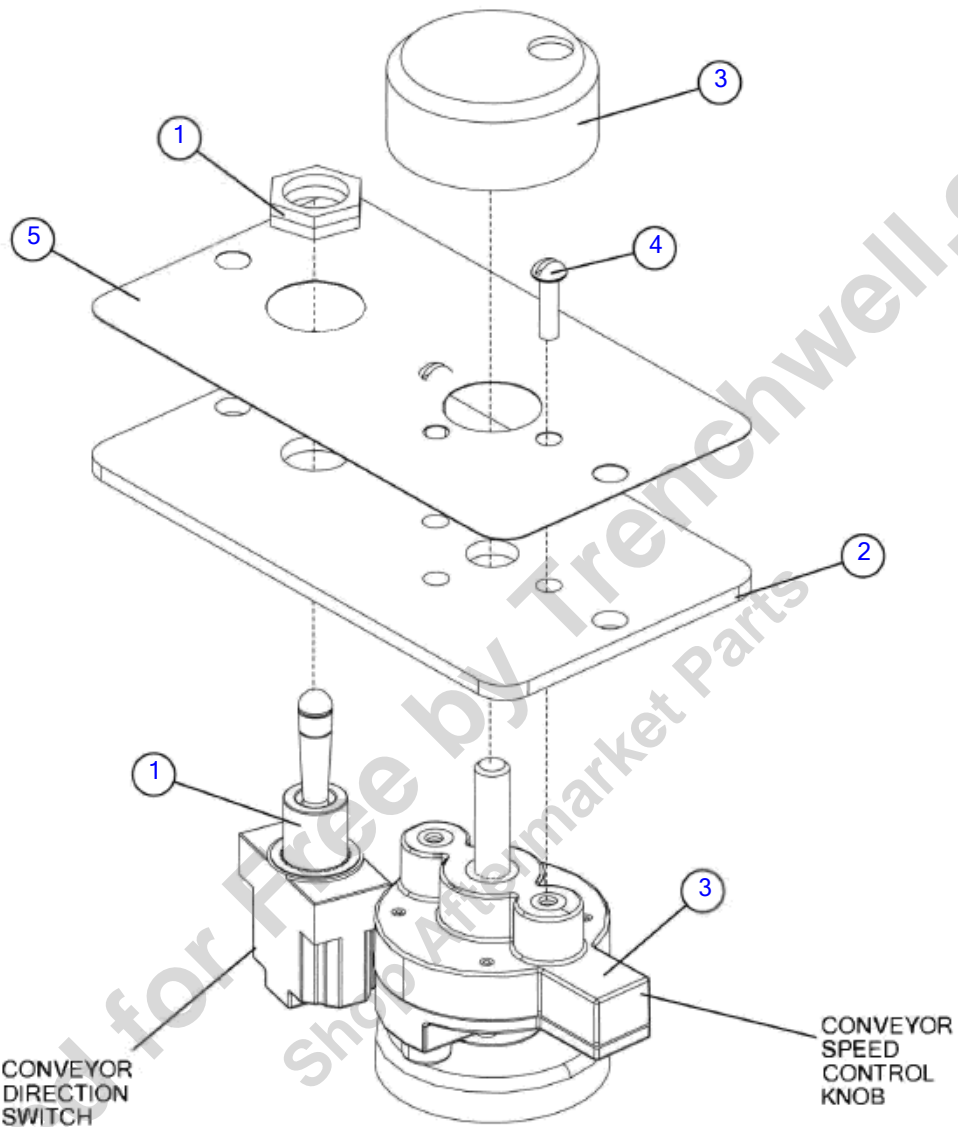


Illustration No. 627064001 - Not For Ordering

Conveyor Control

Fig 08-12

REF NO.	PART NO.	DESCRIPTION	QTY.	REMARKS
1	625895001	SWITCH 1TL1 1E	1	
2	626976001	PLATE-CONTROL MOUNT	1	
3	631867466	ROTARY HALL KNOB ASSY	1	
4	63737001	SCREW-6-32X1/2 MACHINE	2	
5	700ID265	DECAL-CONVEYOR CONTROL	1	

Provided for Free by Trenchwell.com
Shop Aftermarket Parts

Main Controls-Tier 3

Fig 08-13

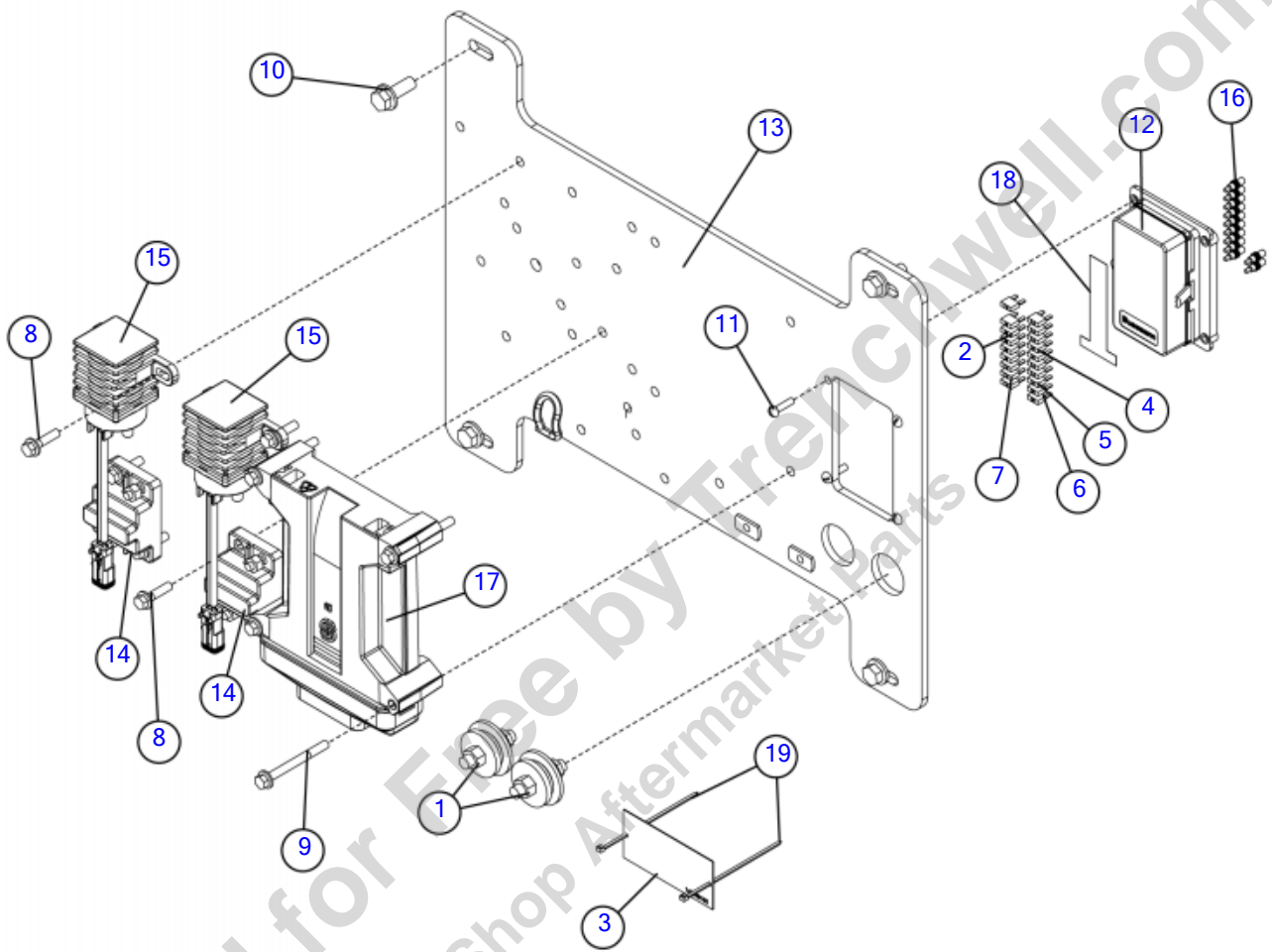


Illustration No. 631863304 - Not For Ordering

Main Controls-Tier 3

Fig 08-13

REF NO.	PART NO.	DESCRIPTION	QTY.	REMARKS
1	122731001	STUD-BATTERY FEEDER 46211-01	2	
2	163639876	FUSE - MINI 25 AMP	3	
3	163648132	TAG - ZIEGLER CAT ENGINE OEM INFO	1	
4	296273497	FUSE - MINI 10 AMP	2	
5	296273498	FUSE - MINI 15 AMP	3	
6	296273499	FUSE - MINI 20 AMP	2	
7	296282541	FUSE - MINI 7.5 AMP	9	
8	296300754	SCREW HFS .25 20X1.00 GR8	8	
9	296300760	SCREW HFS .25 20X2.50 GRI	4	
10	296300772	SCREW HFS .38-16X1.00 GR8	4	
11	504543001	10-32X3/4 RH M/S ZP	4	
12	625882001	BLOCK-FUSE	1	
13	626860001	WELDMENT-CONTROL PANEL	1	
14	627167001	BREAKER, 30 AMP	2	
15	628765001	RELAY, 24VDC (DIODE SUPPRESSED)	2	
16	628841001	METRI-PACK 280 CAVITY PLUG	11	
17	631863125	CONTROLLER -MC050-110 (UNPROGRAMMED)	1	Requires Programming
18	635203367	DECAL- FUSE BLOCK OVERLAY	1	
19	78657001	STRAP-CABLE TIE 4" T18R	2	

Main Controls-Tier 4

Fig 08-14

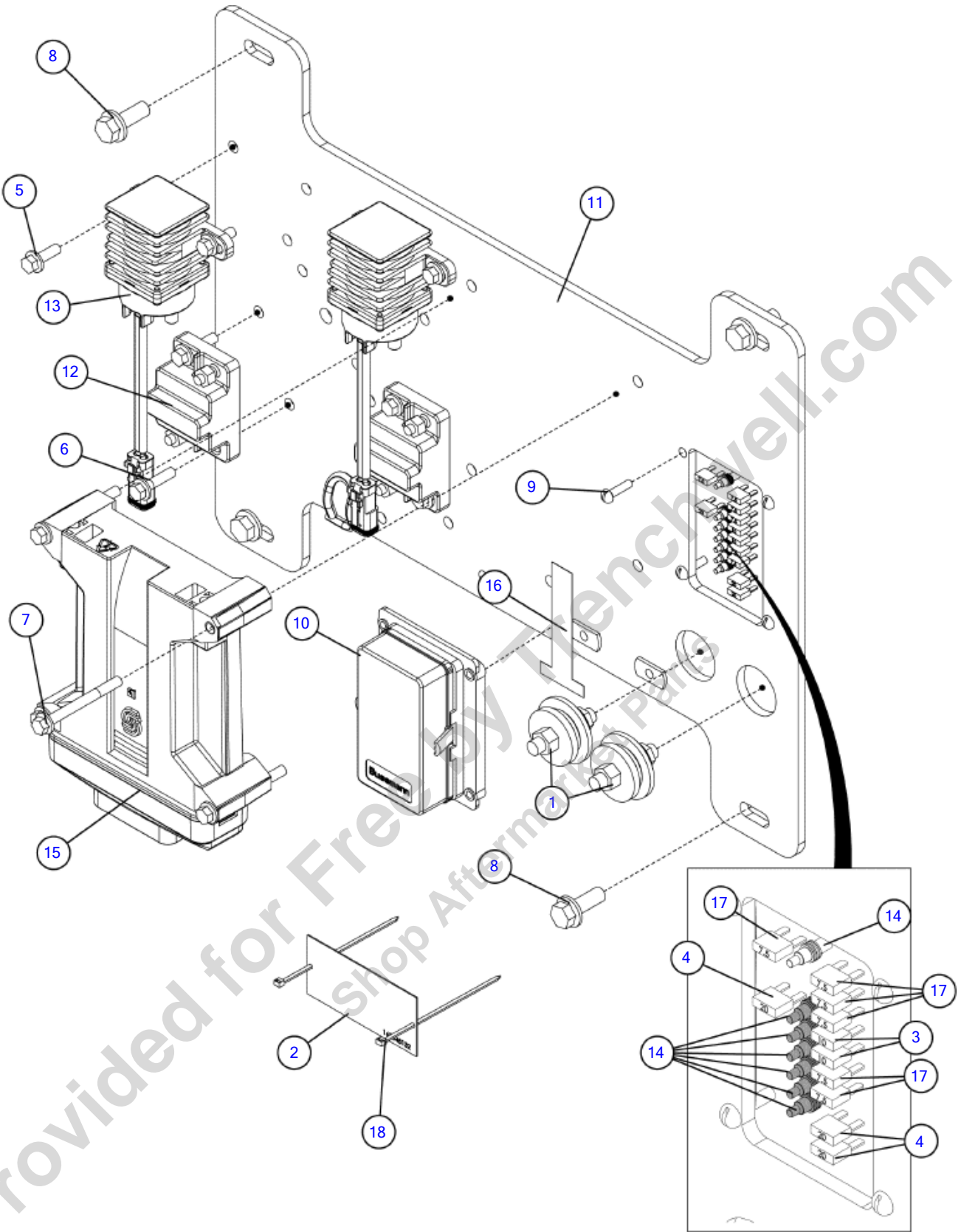


Illustration No. 631863301 - Not For Ordering

Main Controls-Tier 4

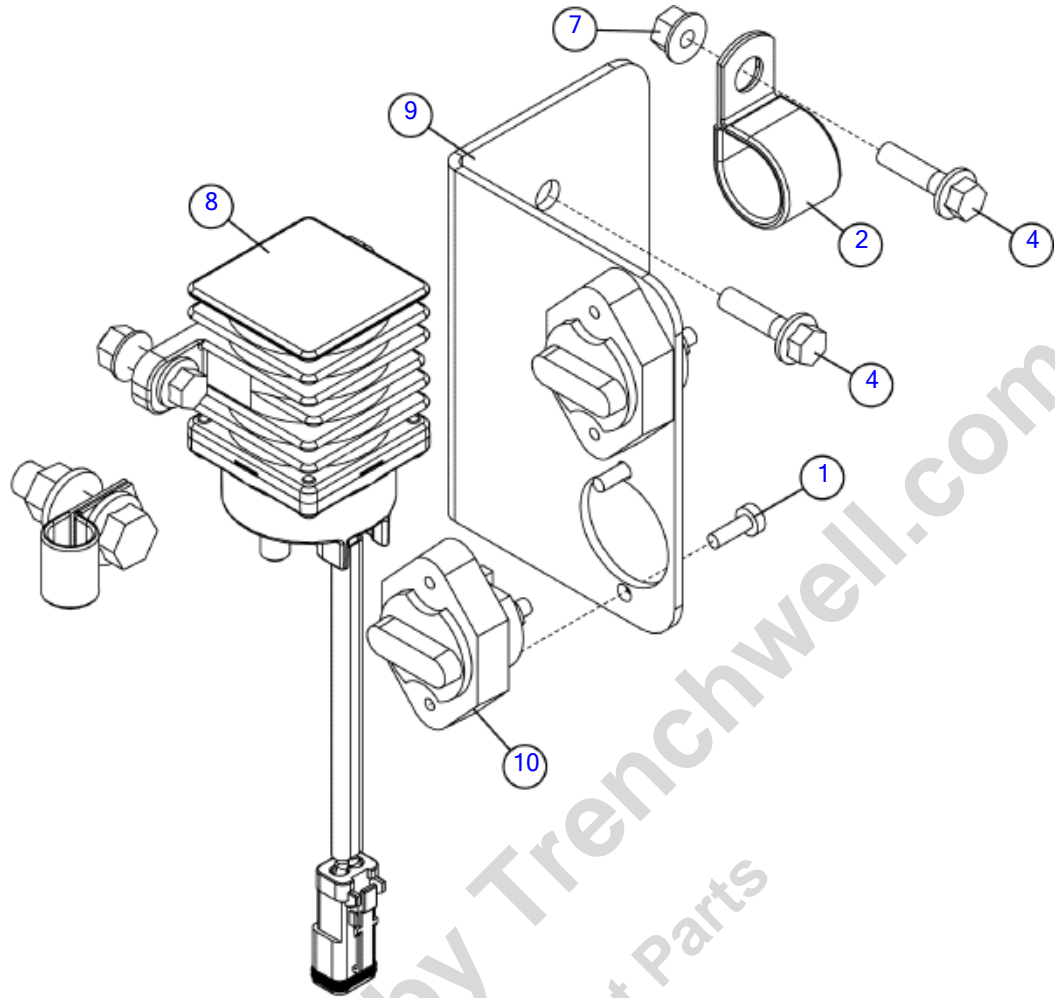
Fig 08-14

REF NO.	PART NO.	DESCRIPTION	QTY.	REMARKS
1	122731001	STUD-BATTERY FEEDER 46211-01	2	
2	163648132	TAG - ZIEGLER CAT ENGINE OEM INFO	1	
3	296273497	FUSE - MINI 10 AMP	2	
4	296273499	FUSE - MINI 20 AMP	3	
5	296300753	SCREW-HFS-.25-20X.75-GR8	4	
6	296300754	SCREW HFS .25 20X1.00 GR8	4	
7	296300760	SCREW HFS .25 20X2.50 GRI	4	
8	296300772	SCREW HFS .38-16X1.00 GR8	4	
9	504543001	10-32X3/4 RH M/S ZP	4	
10	625882001	BLOCK-FUSE	1	
11	626860001	WELDMENT-CONTROL PANEL	1	
12	627167001	BREAKER, 30 AMP	2	
13	628765001	RELAY, 24VDC (DIODE SUPPRESSED)	2	
14	628841001	METRI-PACK 280 CAVITY PLUG	7	
15	631863125	CONTROLLER -MC050-110 (UNPROGRAMMED)	1	Requires Programming
16	635203367	DECAL- FUSE BLOCK OVERLAY	1	
17	296282541	FUSE - MINI 7.5 AMP	6	
18	78657001	STRAP-CABLE TIE 4" T18R	2	

Provided for Free by Trenchwell.com
Shop Aftermarket Parts

Fuel Relay-Tier 4 Final

Fig 08-14X01



Provided for Free by Trenchwell.com
Shop Aftermarket Parts

Illustration No.635202358-Not For Ordering

Fuel Relay-Tier 4 Final

Fig 08-14X01

REF NO.	PART NO.	DESCRIPTION	QTY.	REMARKS
1	130745083	SCREW - MCH-8-32 X .50-PHILLIPS-CZ	4	
2	180014248	CLAMP-HOSE 7/8"	1	
3	2595001	HOSE CLAMP - 1/2" "P" STYLE	2	
4	296300754	SCREW HFS .25 20X1.00 GR8 YZ	5	
5	296300773	SCREW-HFS-.38-16X1.25-GR8-YZ	2	
6	296300850	NUT-HEXFLGTL-.38-16-G-YZ	2	
7	510313401	NUT-HEXFLGL-.25-20-GR2-YZ	5	
8	628765001	RELAY, 24VDC (DIODE SUPPRESSED)	1	
9	631862971	BRACKET-CIRCUIT BREAKER	1	
10	631862972	CIRCUIT BREAKER - 20A THROUGH MOUNT	2	

Provided for Free by Trenchwell.com
Shop Aftermarket Parts

Valve Controllers (SN 550-560)

Fig 08-15

NOTE: CONTROLLERS AND MODULES MUST BE PROGRAMMED BEFORE INSTALLATION. REFER TO TEC PLUS SERVICE MANUAL FOR PROGRAMMING INSTRUCTIONS AND TO COMPASS FOR LATEST CODE RELEASE.

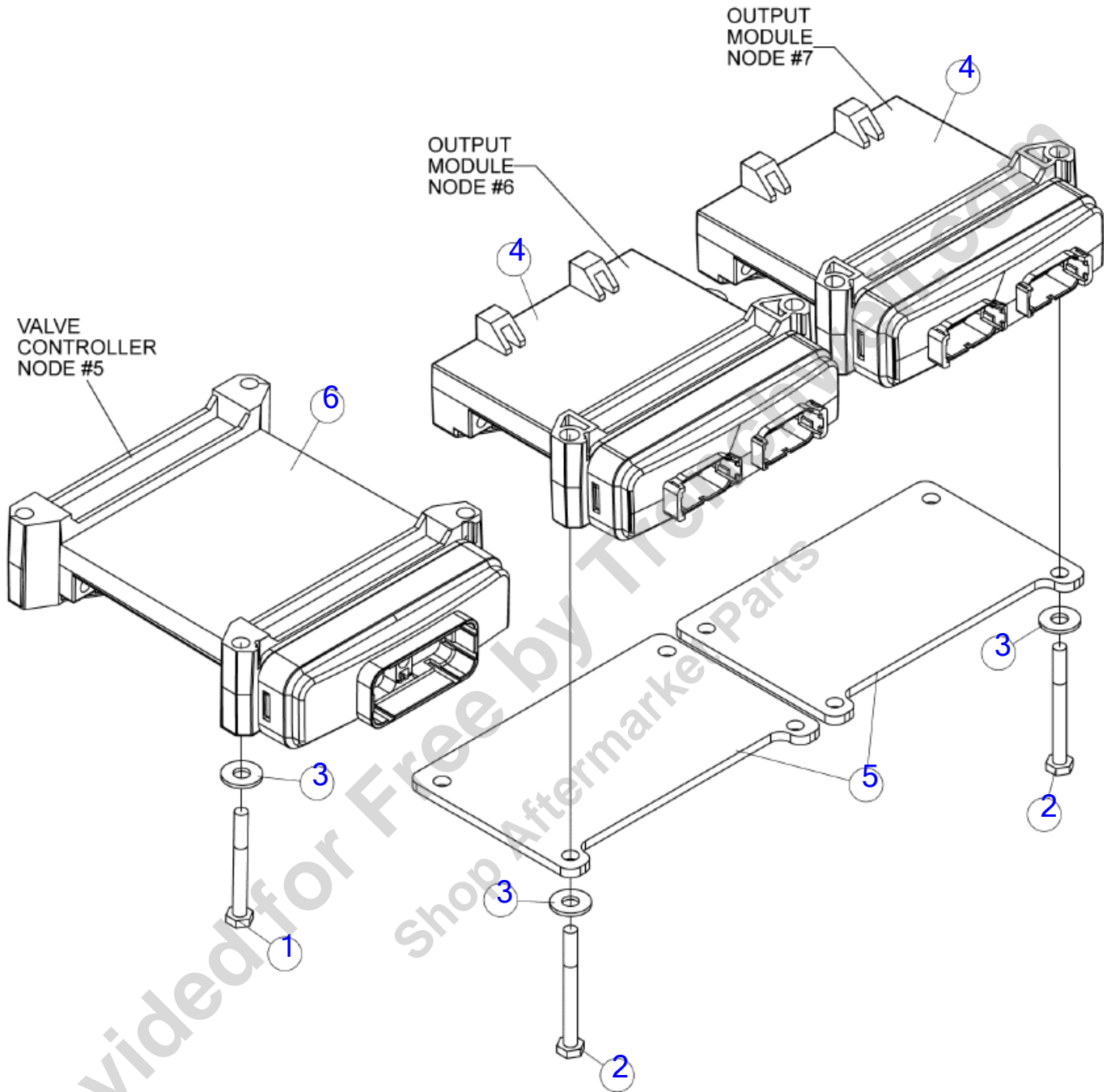


Illustration No.635202359-Not for Ordering

Valve Controllers (SN 550-560)

Fig 08-15

REF NO.	PART NO.	DESCRIPTION	QTY.	REMARKS
1	250644001	BOLT-1/4-20 X2 1/4 GR 8 Y/ZINC	4	
2	510300024	SCREW-HCS-.25-20X2.50-GR5-YZ	8	
3	510337603	WASHER FLATSTD .25 .31 X .75 .07 YZ	12	
4	296276086	CONTROLLER - OX024-010 BLANK	2	Requires Node Number
5	632173001	PLATE-CONTROLLER TOP	2	
6	631863125	CONTROLLER -MC50-110 (UNPROGRAMMED)	1	Requires Programming

Provided for Free by Trenchwell.com
Shop Aftermarket Parts

Valve Controllers (SN 561-)

Fig 08-15R01

NOTE: CONTROLLERS AND MODULES MUST BE PROGRAMMED BEFORE INSTALLATION. REFER TO TEC PLUS SERVICE MANUAL FOR PROGRAMMING INSTRUCTIONS AND TO COMPASS FOR LATEST CODE RELEASE.

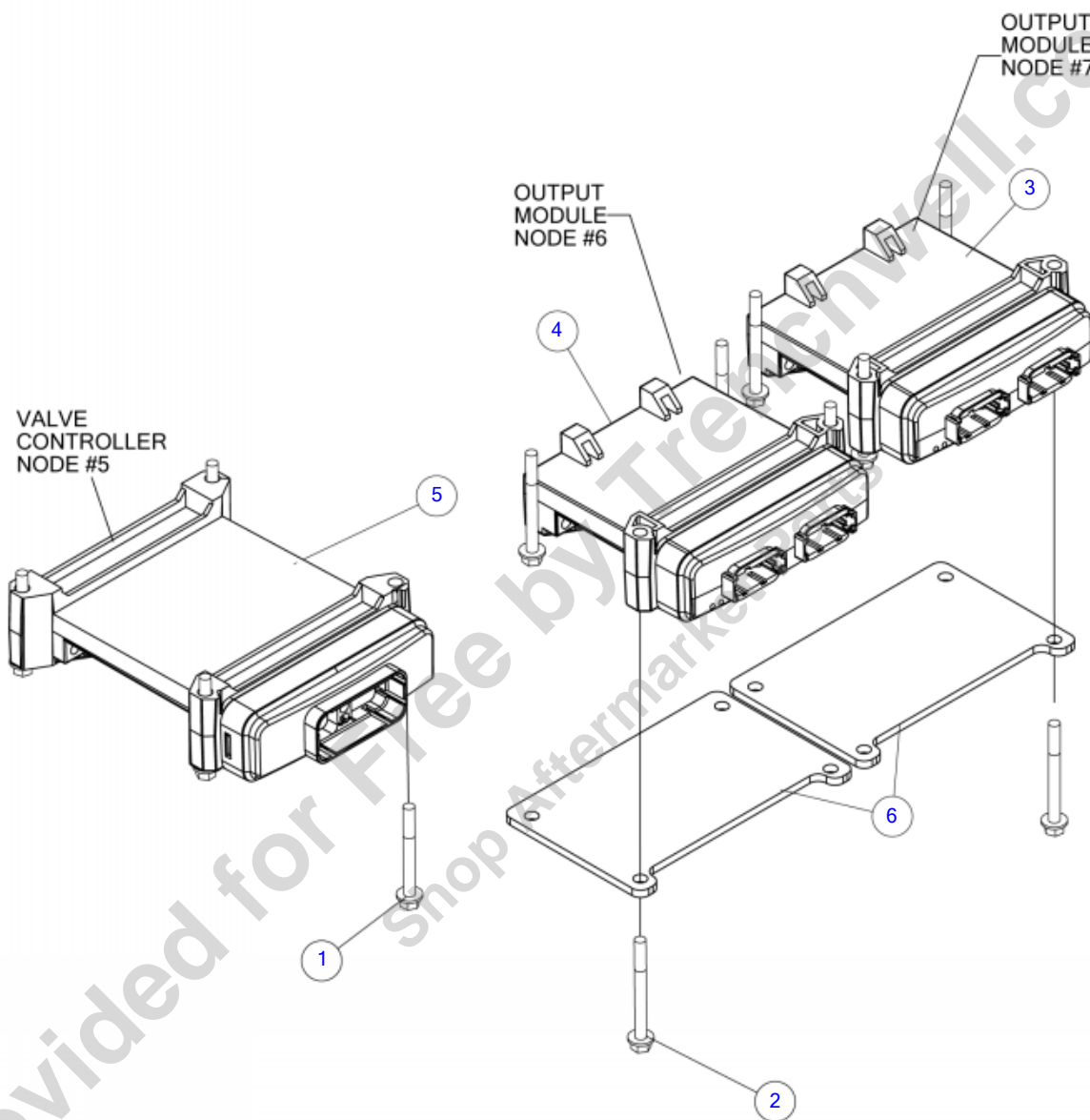


Illustration No.635202359-Not for Ordering

Valve Controllers (SN 561-)

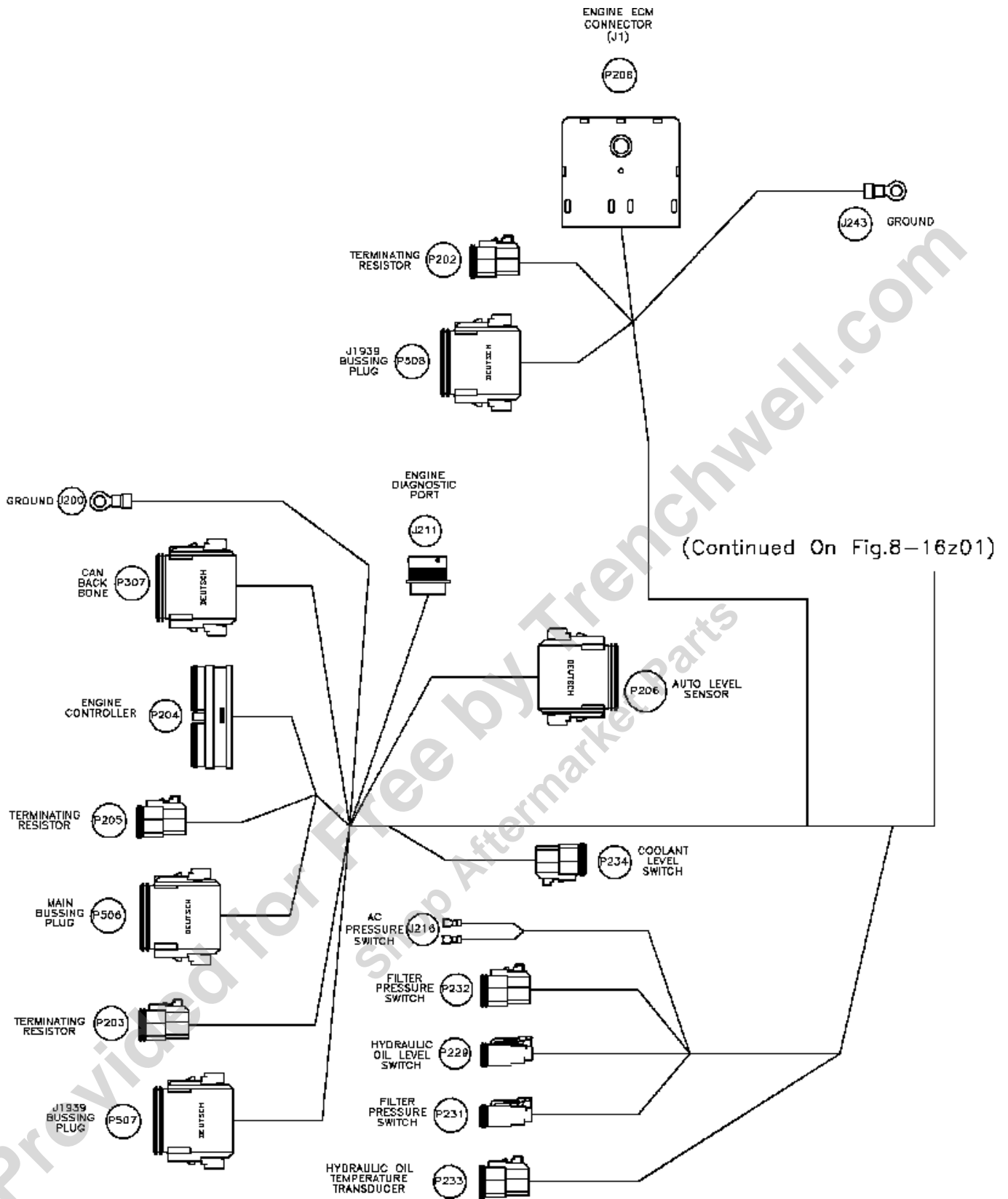
Fig 08-15R01

REF NO.	PART NO.	DESCRIPTION	QTY.	REMARKS
1	296300759	SCREW HFS .25 20 X 2.25 GR8	4	
2	296300760	SCREW HFS .25 20X2.50 GRI	8	
3	625866001	OUTPUT MODULE NODE #7	1	
4	625867001	OUTPUT MODULE NODE #6	1	
5	631863125	CONTROLLER -MC050-110 (UNPROGRAMMED)	1	Requires Programming
6	632173001	PLATE-CONTROLLER TOP	2	

Provided for Free by Trenchwell.com
Shop Aftermarket Parts

Engine Harness-Tier 3

Fig 08-16



Engine Harness-Tier 3

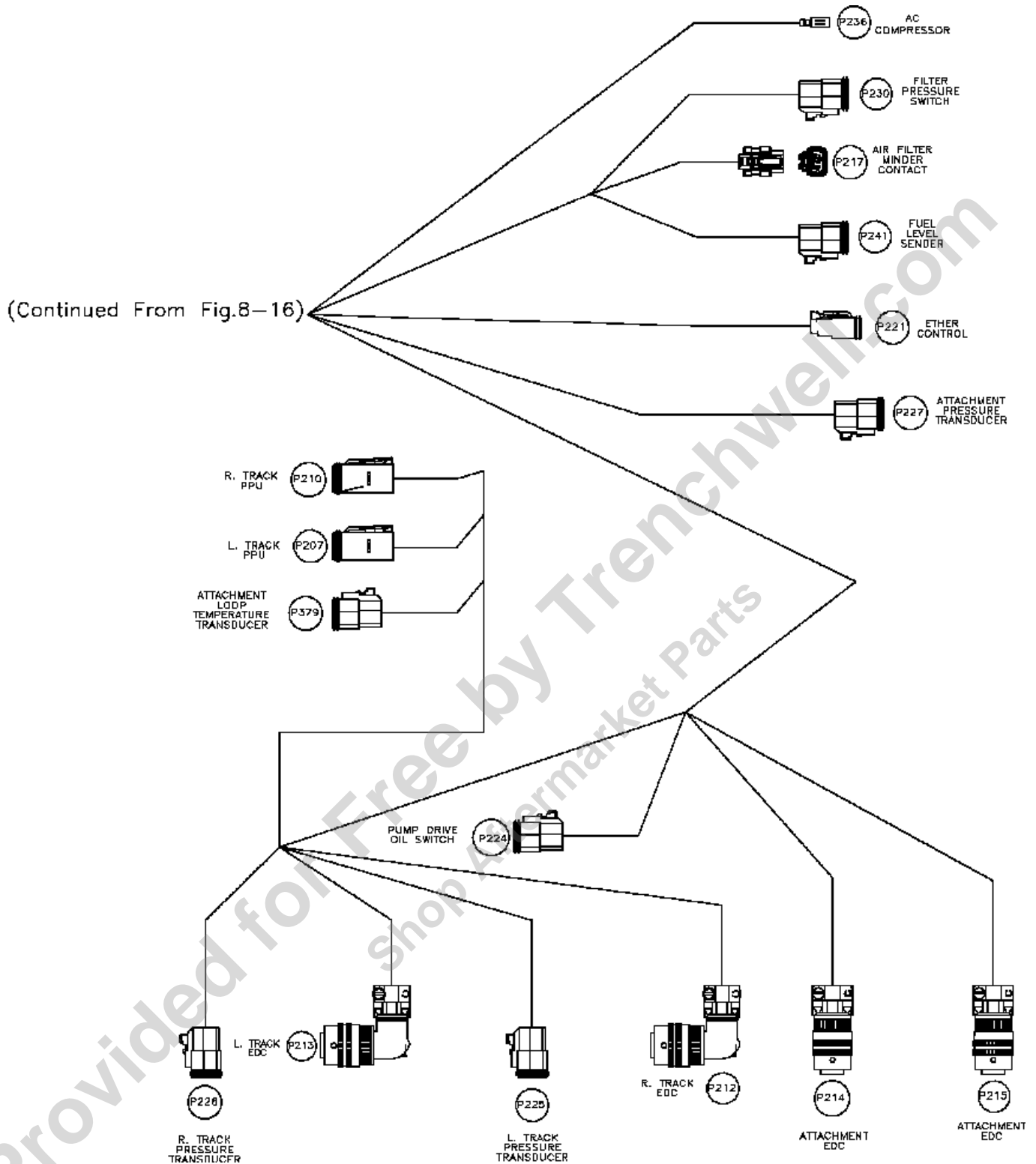
Fig 08-16

REF NO.	PART NO.	DESCRIPTION	QTY.	REMARKS
1	631863315	HARNESS - T1055 T3 ENGINE	1	

Provided for Free by Trenchwell.com
Shop Aftermarket Parts

Engine Harness-Tier 3

Fig 08-16X01



Engine Harness-Tier 3

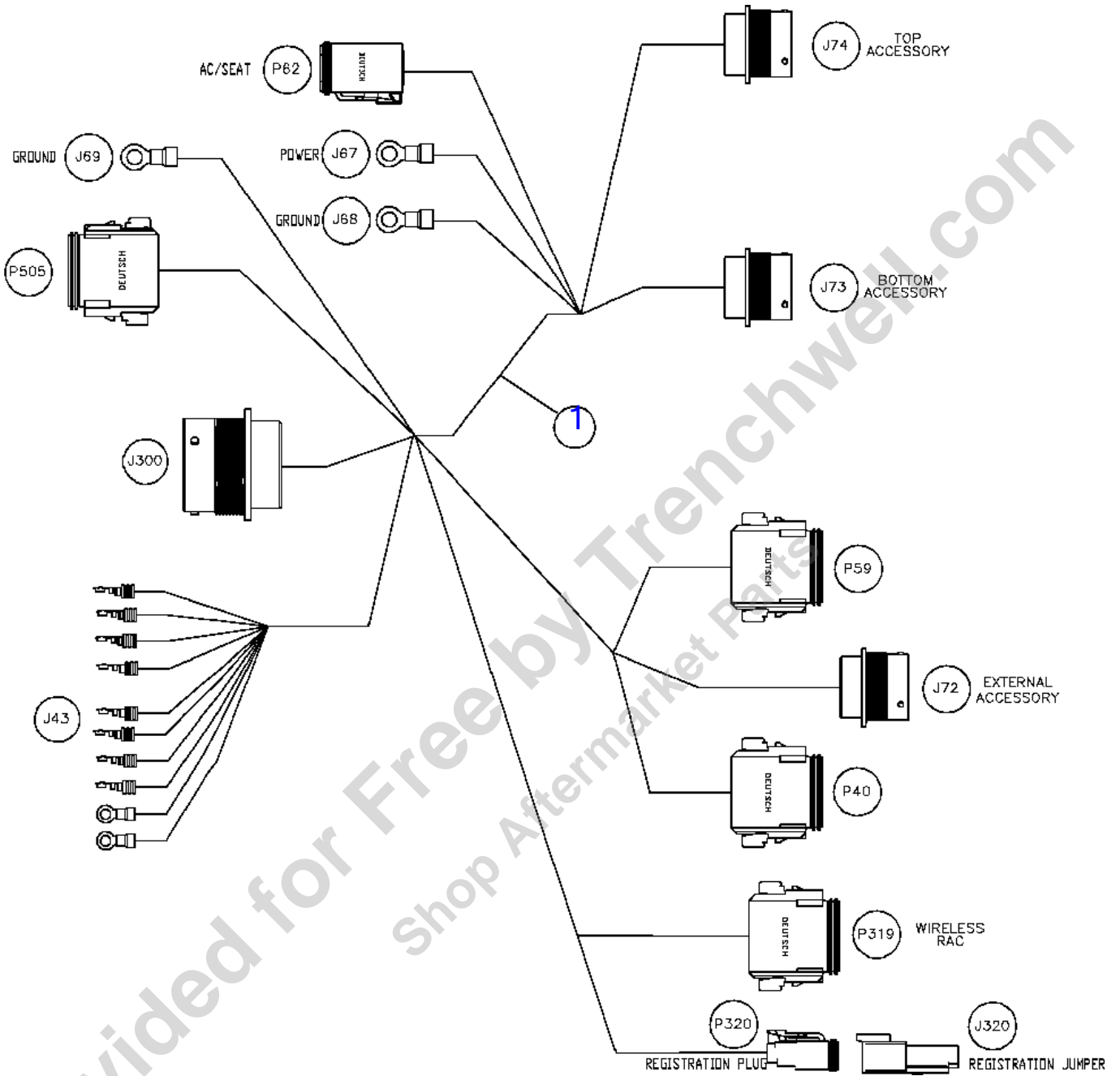
Fig 08-16X01

REF NO.	PART NO.	DESCRIPTION	QTY.	REMARKS
1	631863315	HARNESS - T1055 T3 ENGINE	1	

Provided for Free by Trenchwell.com
Shop Aftermarket Parts

Can Back Bone \ Cab Harness-Tier 3

Fig 08-16X02



Can Back Bone \ Cab Harness-Tier 3

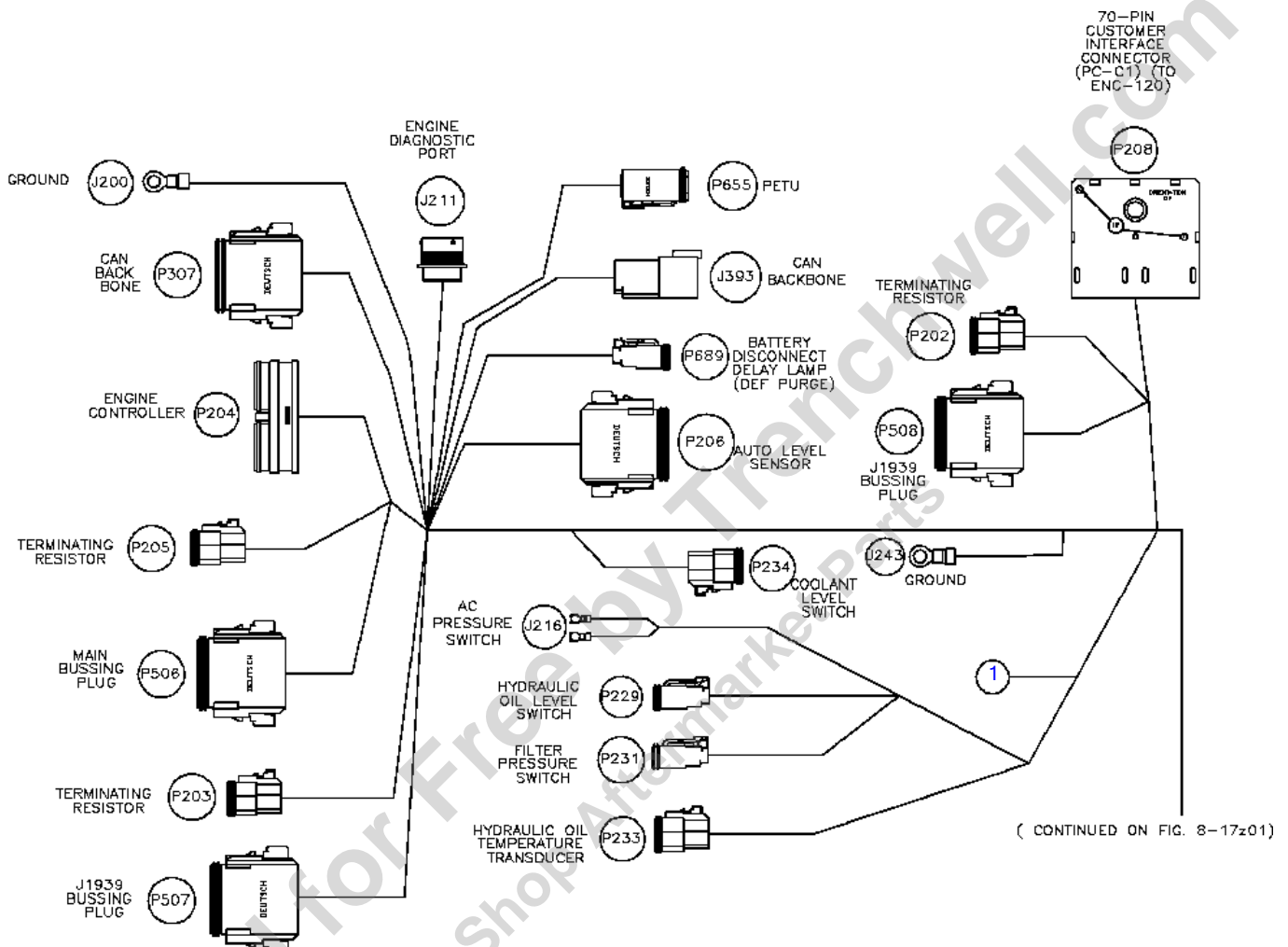
Fig 08-16X02

REF NO.	PART NO.	DESCRIPTION	QTY.	REMARKS
1	631863828	HARNESS - CAB BACKBONE	1	

Provided for Free by Trenchwell.com
Shop Aftermarket Parts

Engine Harness-Tier 4 Final

Fig 08-17



Engine Harness-Tier 4 Final

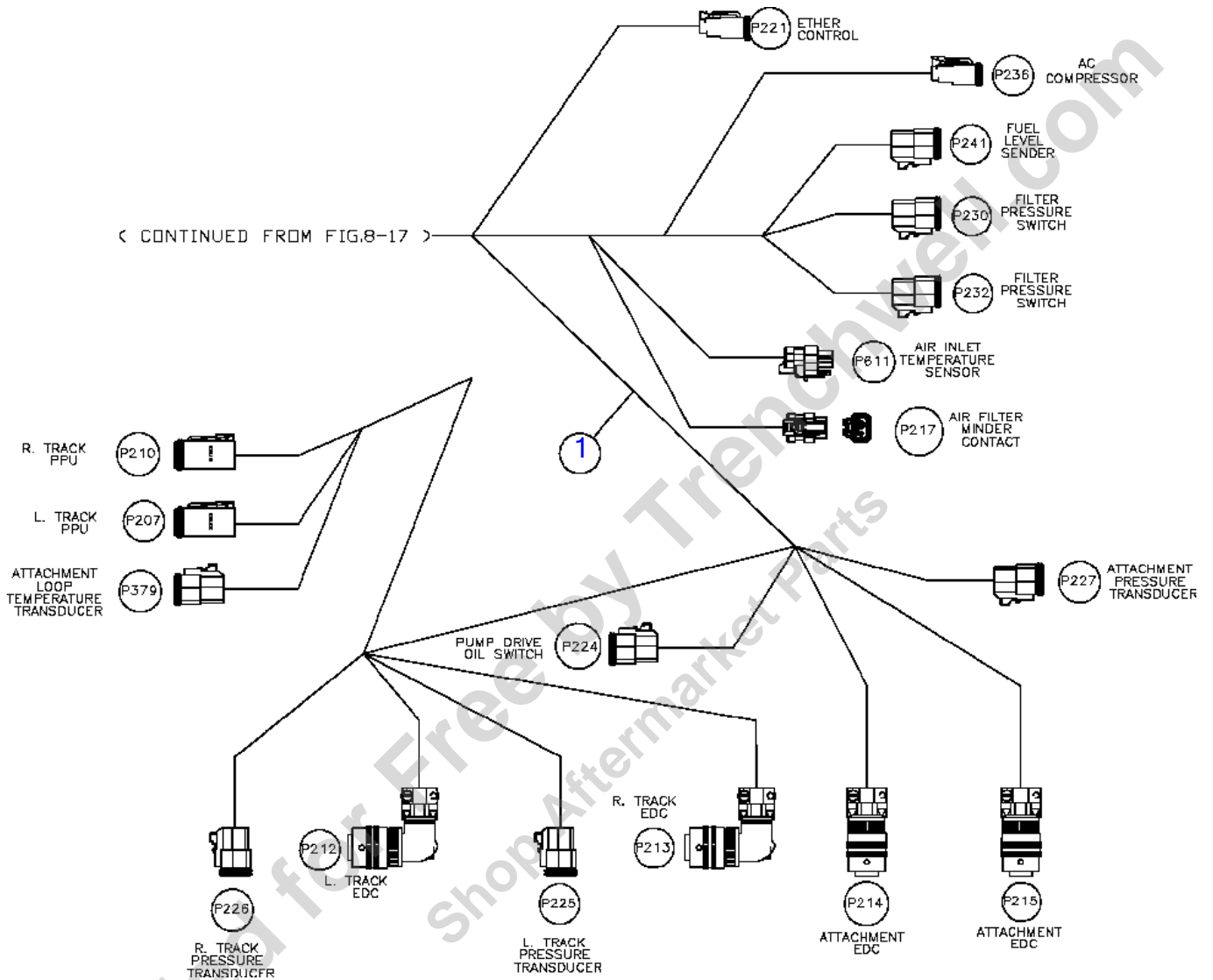
Fig 08-17

REF NO.	PART NO.	DESCRIPTION	QTY.	REMARKS
1	631862960	HARNESS T1055 ENGINE T4F	1	

Provided for Free by Trenchwell.com
Shop Aftermarket Parts

Engine Harness- Tier 4 Final

Fig 08-17X01



Engine Harness- Tier 4 Final

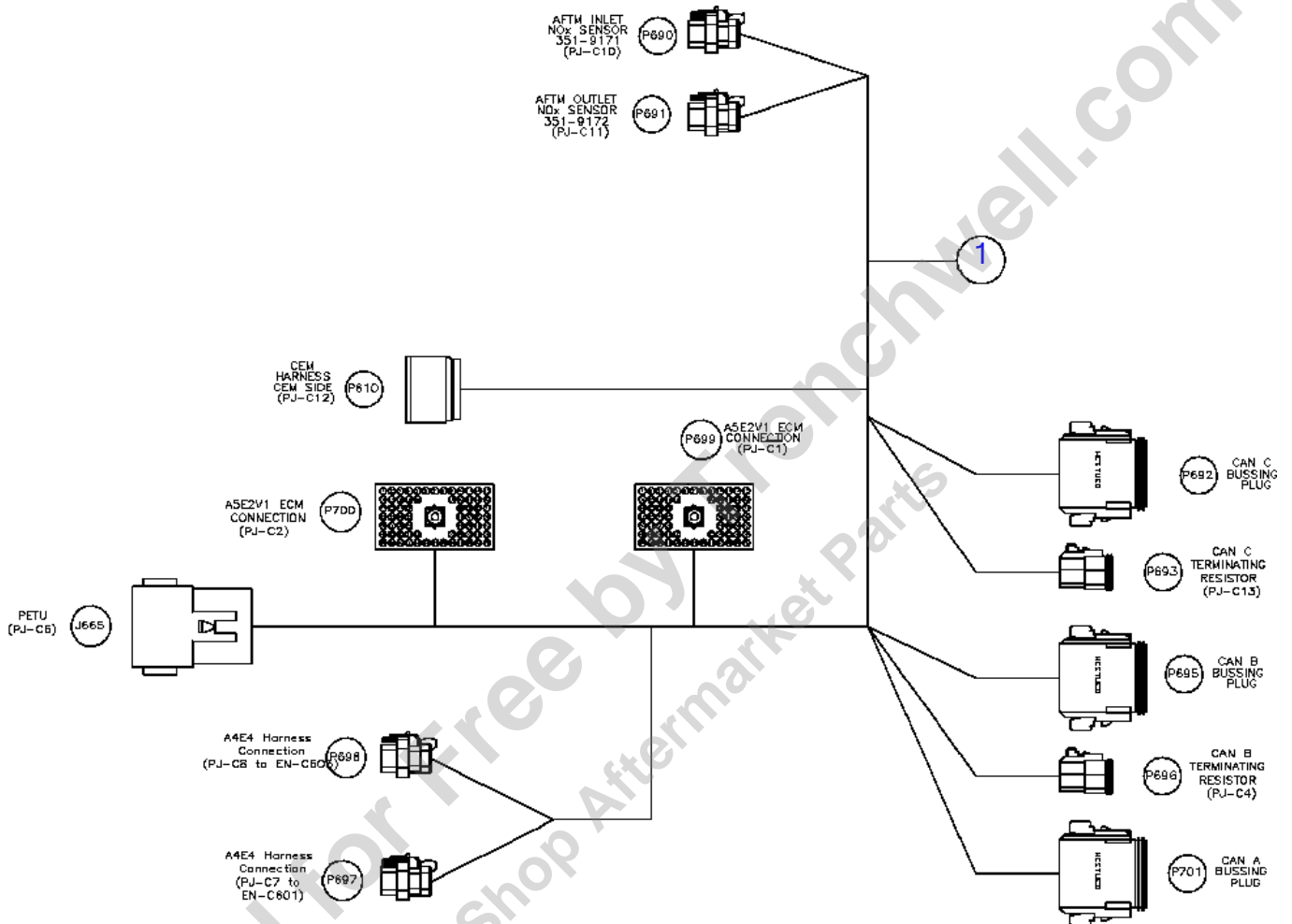
Fig 08-17X01

REF NO.	PART NO.	DESCRIPTION	QTY.	REMARKS
1	631862960	HARNESS T1055 ENGINE T4F	1	Cont. From Fig. 8-17

Provided for Free by Trenchwell.com
Shop Aftermarket Parts

Tier 4 Final CEM Harness

Fig 08-17X02



Tier 4 Final CEM Harness

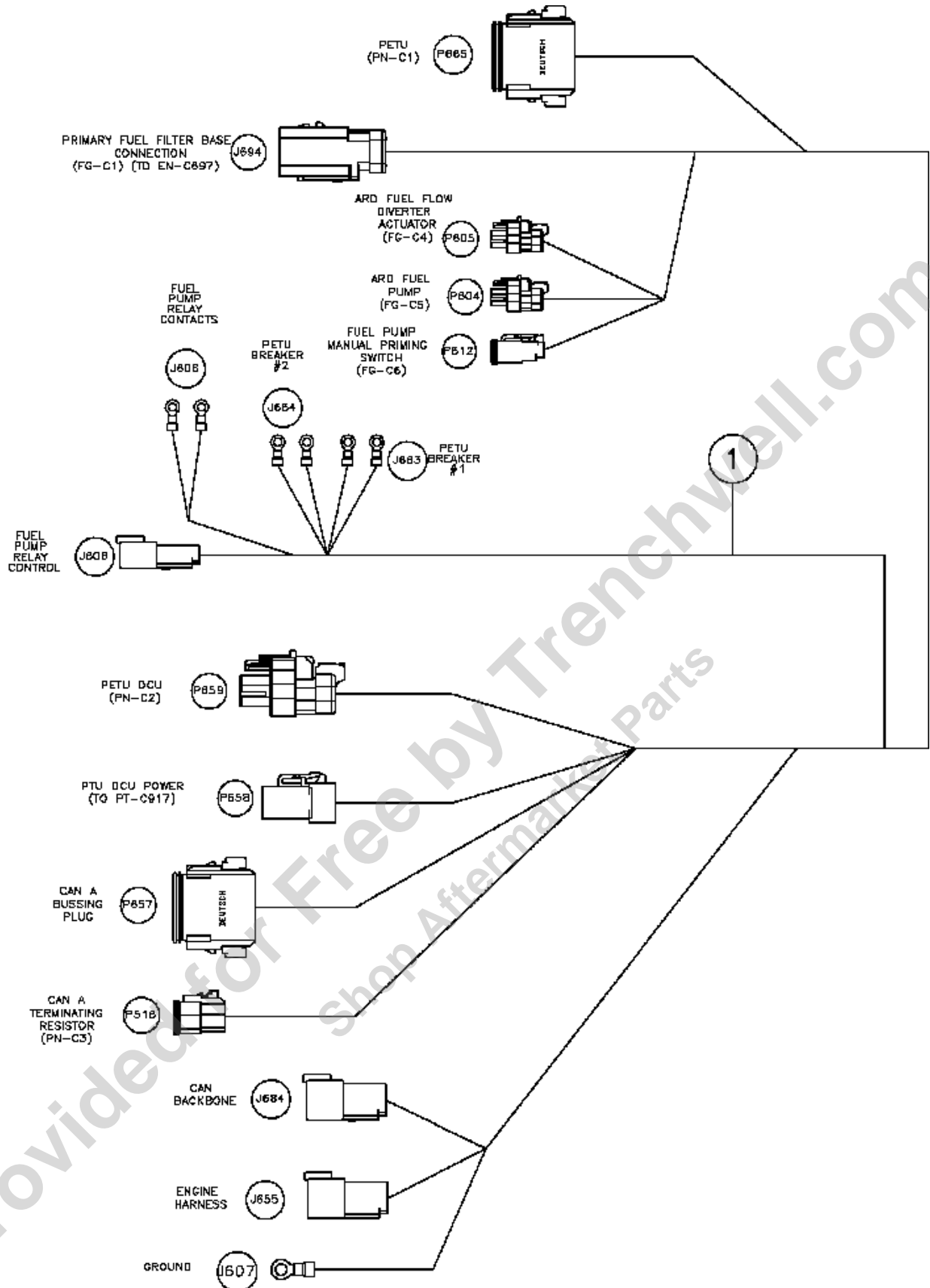
Fig 08-17X02

REF NO.	PART NO.	DESCRIPTION	QTY.	REMARKS
1	631863157	HARNESS T1055 T4F CEM	1	

Provided for Free by Trenchwell.com
Shop Aftermarket Parts

Tier 4 Final PETU Harness

Fig 08-17X03



Tier 4 Final PETU Harness

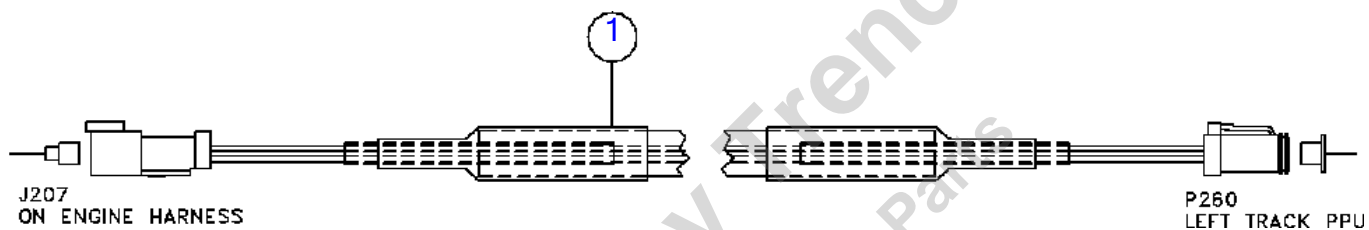
Fig 08-17X03

REF NO.	PART NO.	DESCRIPTION	QTY.	REMARKS
1	631862959	HARNESS T1055 T4F PETU	1	

Provided for Free by Trenchwell.com
Shop Aftermarket Parts

Left TRack Yellow PPU Harness

Fig 08-17X04



Left TRack Yellow PPU Harness

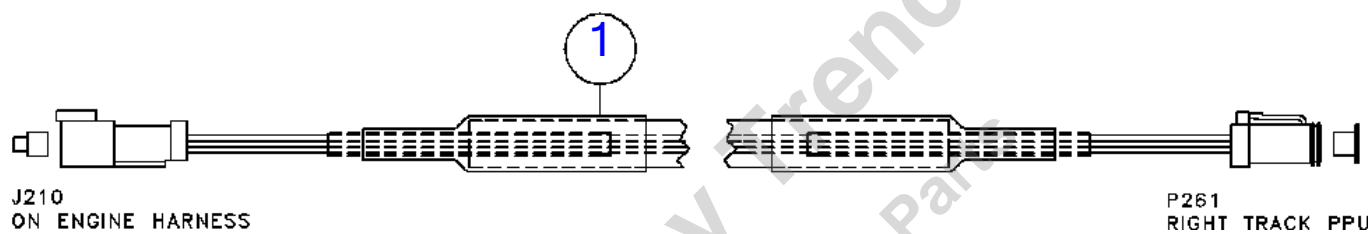
Fig 08-17X04

REF NO.	PART NO.	DESCRIPTION	QTY.	REMARKS
1	603977001	HARNESS-TRACK PPU-YELLOW	1	

Provided for Free by Trenchwell.com
Shop Aftermarket Parts

Right Track Tan PPU Harness

Fig 08-17X05



Right Track Tan PPU Harness

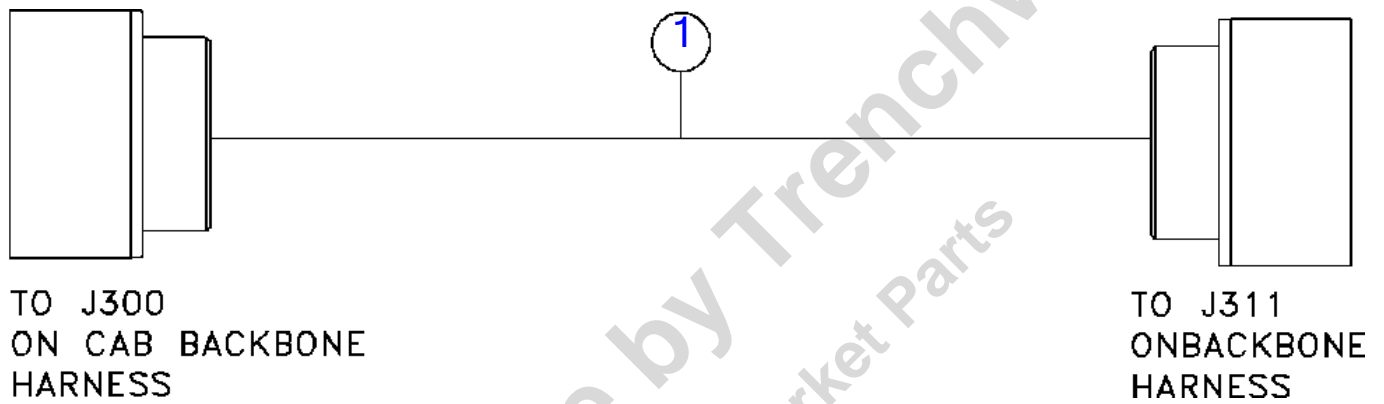
Fig 08-17X05

REF NO.	PART NO.	DESCRIPTION	QTY.	REMARKS
1	604450001	HARNESS-TRACK PPU - TAN	1	

Provided for Free by Trenchwell.com
Shop Aftermarket Parts

Extension / Backbone Harness

Fig 08-17X06



Extension / Backbone Harness

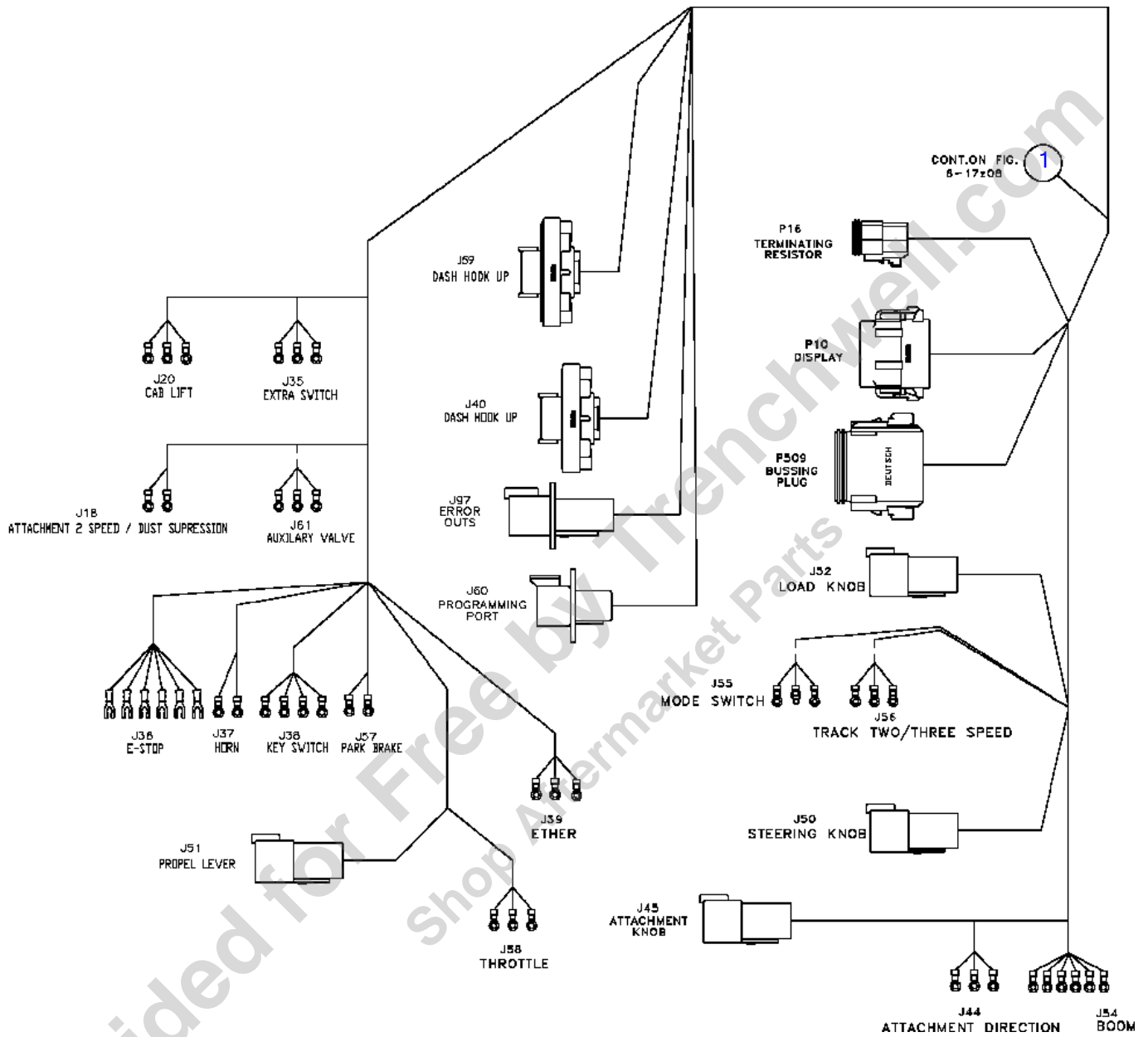
Fig 08-17X06

REF NO.	PART NO.	DESCRIPTION	QTY.	REMARKS
1	626873001	HARNESS-EXTENSION TO BACKBONE	1	

Provided for Free by Trenchwell.com
Shop Aftermarket Parts

Dash Harness (SN 550-557)

Fig 08-17X07



Dash Harness (SN 550-557)

Fig 08-17X07

REF NO.	PART NO.	DESCRIPTION	QTY.	REMARKS
1	631859950	HARNESS-DASH	1	(Cont. On Fig.8-17X08)

Provided for Free by Trenchwell.com
Shop Aftermarket Parts

Harness-Dash (SN 558-)

Fig 08-17X07R01

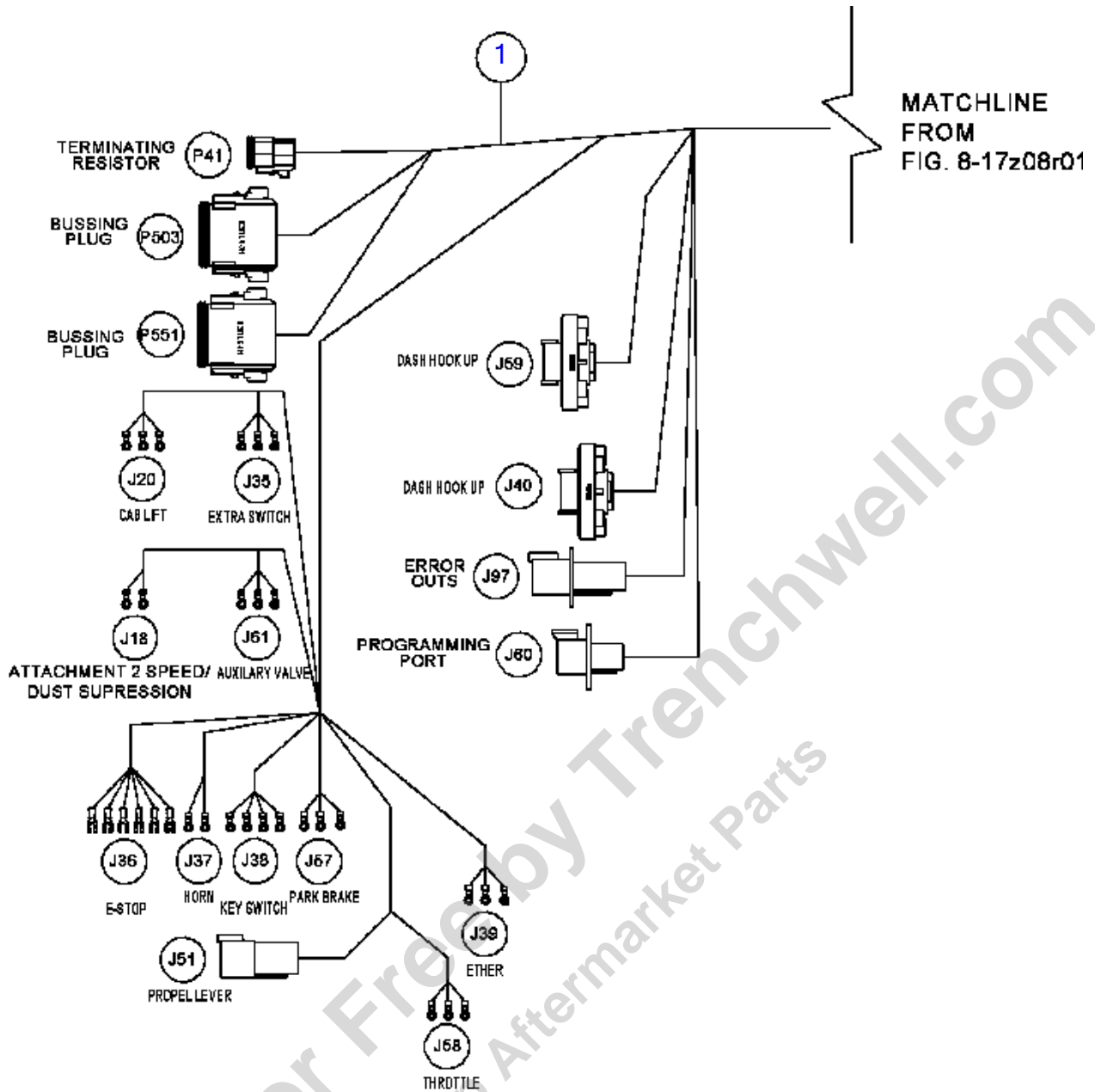


Illustration No. 631863916-Not For Ordering

Harness-Dash (SN 558-)

Fig 08-17X07R01

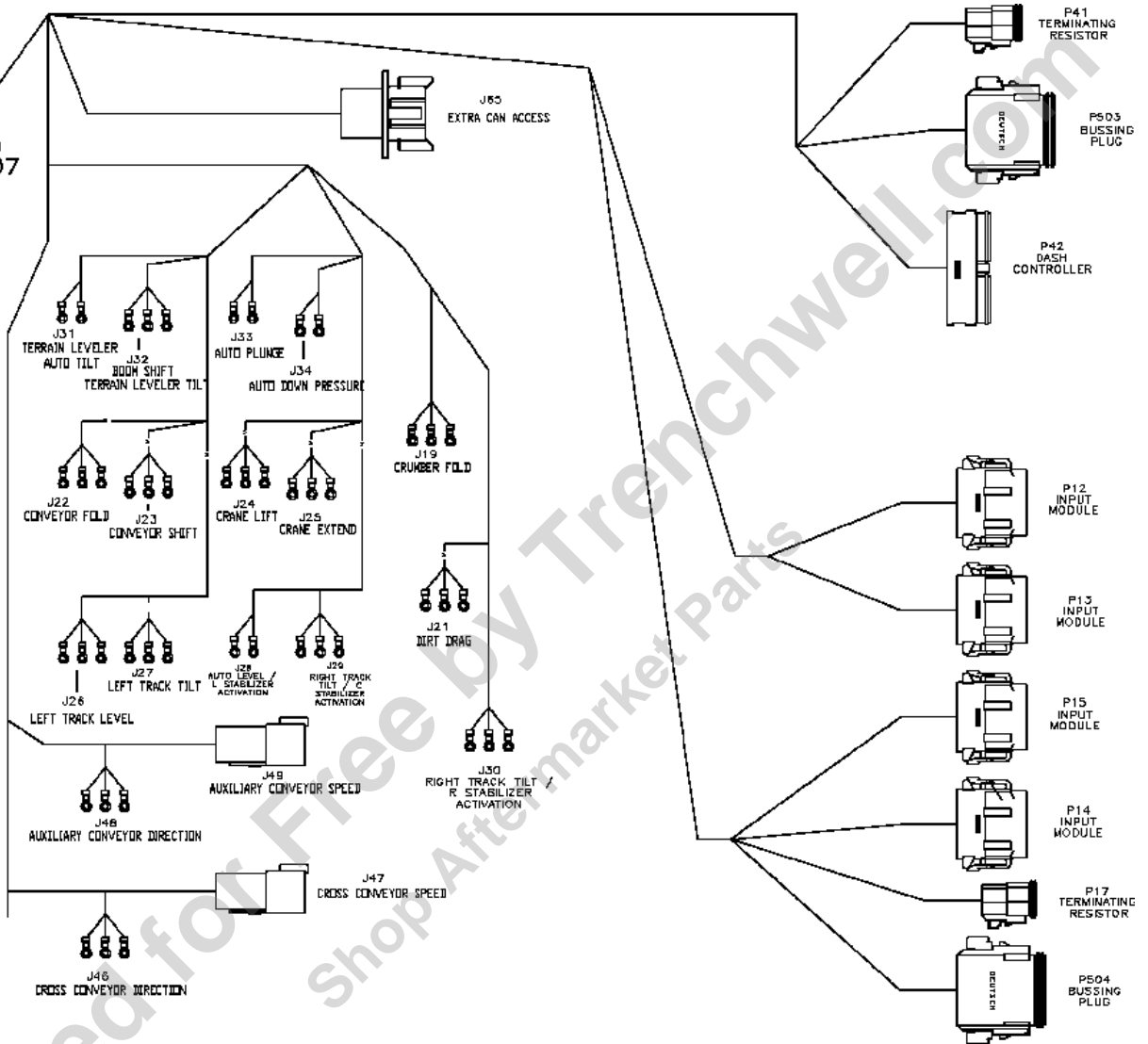
REF NO.	PART NO.	DESCRIPTION	QTY.	REMARKS
1	631863916	HARNESS -DASH	1	

Provided for Free by Trenchwell.com
Shop Aftermarket Parts

Dash Harness (SN 550-557)

Fig 08-17X08

1
Cont. from
Fig.8-17z07



Dash Harness (SN 550-557)

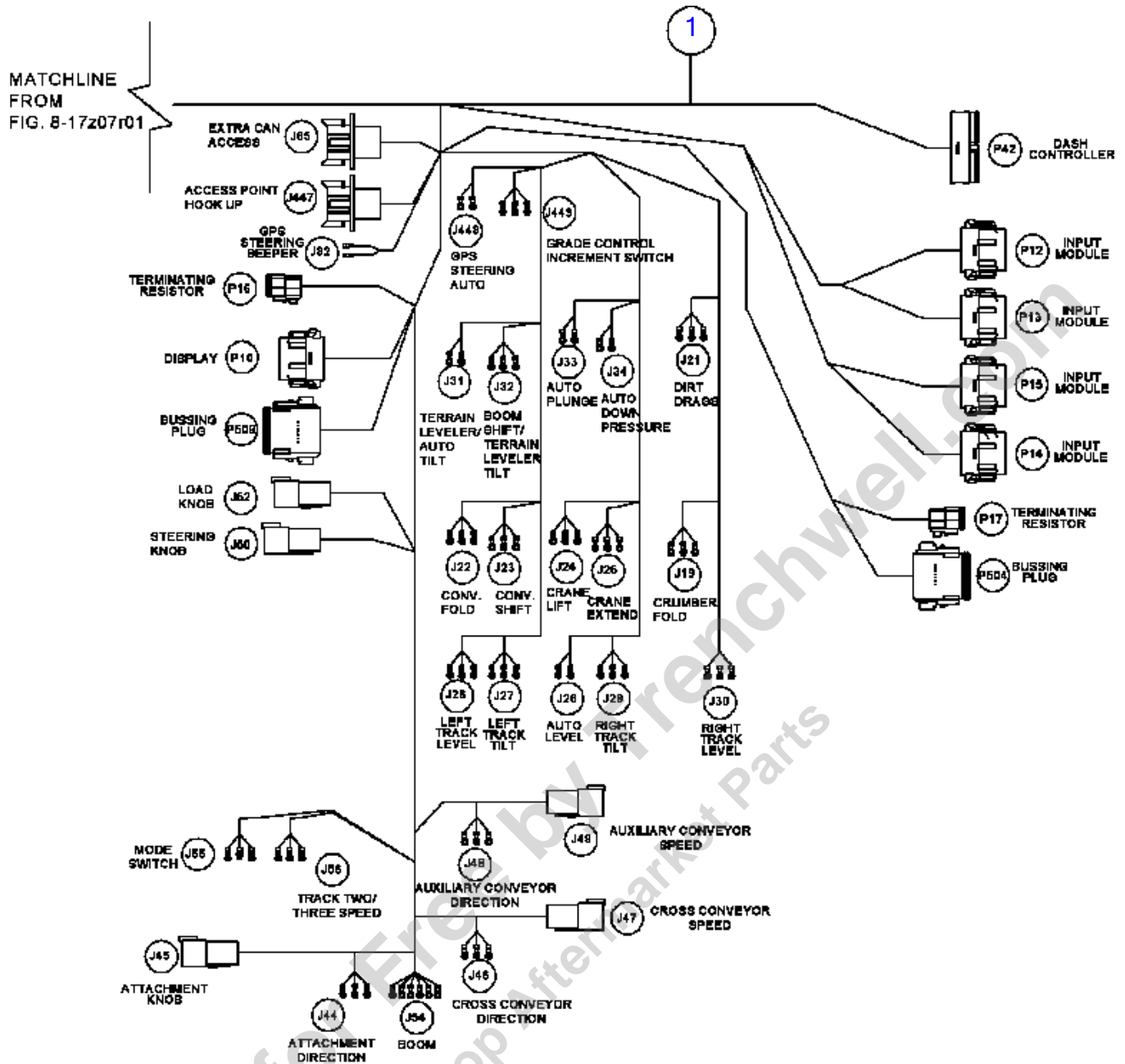
Fig 08-17X08

REF NO.	PART NO.	DESCRIPTION	QTY.	REMARKS
1	631859950	HARNESS-DASH	1	(Cont.From Fig.8-17X07)

Provided for Free by Trenchwell.com
Shop Aftermarket Parts

Harness-Dash (SN 558-)

Fig 08-17X08R01



Harness-Dash (SN 558-)

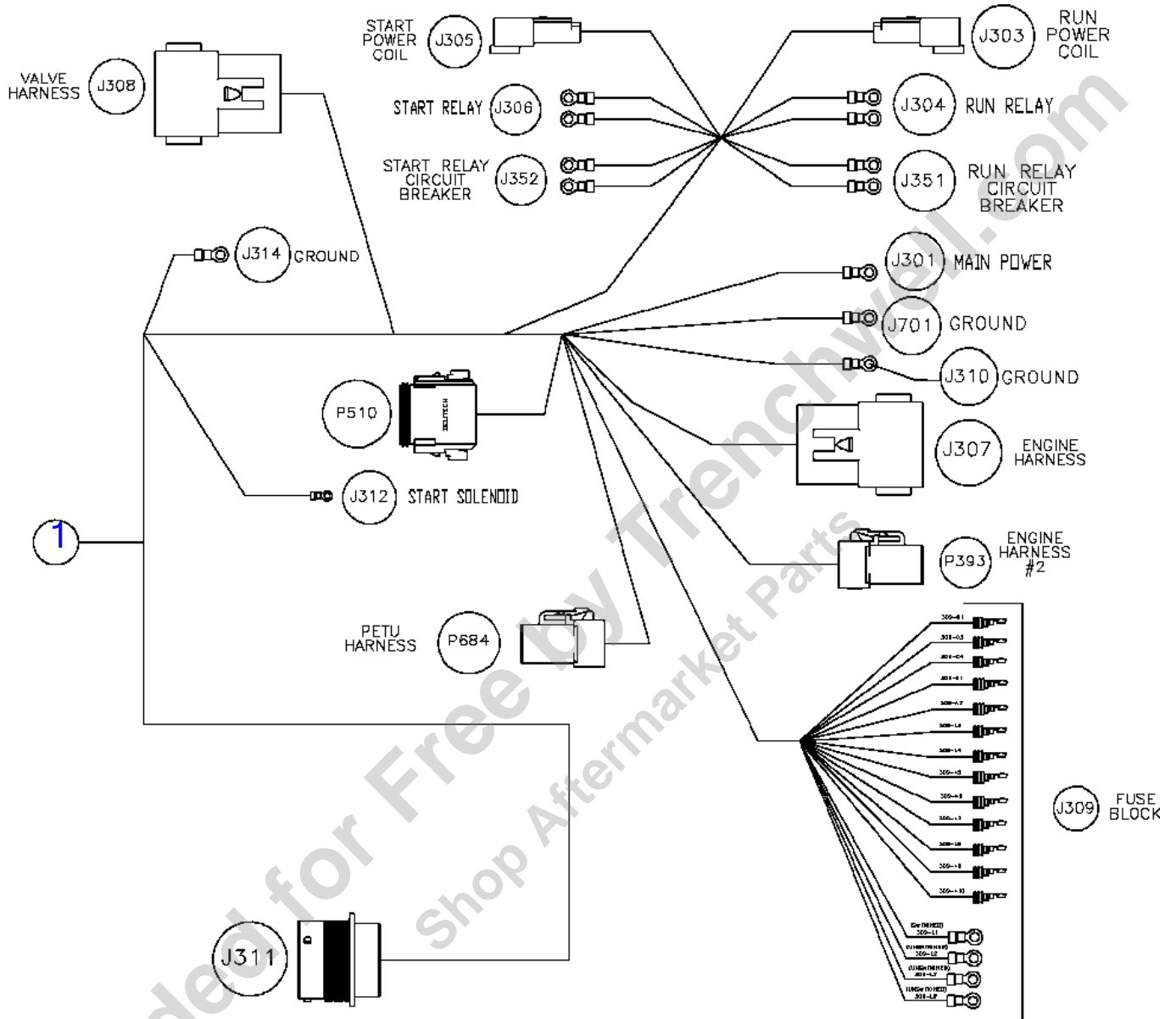
Fig 08-17X08R01

REF NO.	PART NO.	DESCRIPTION	QTY.	REMARKS
1	631863916	HARNESS -DASH	1	

Provided for Free by Trenchwell.com
Shop Aftermarket Parts

Can Backbone Machine Harness

Fig 08-17X09



Can Backbone Machine Harness

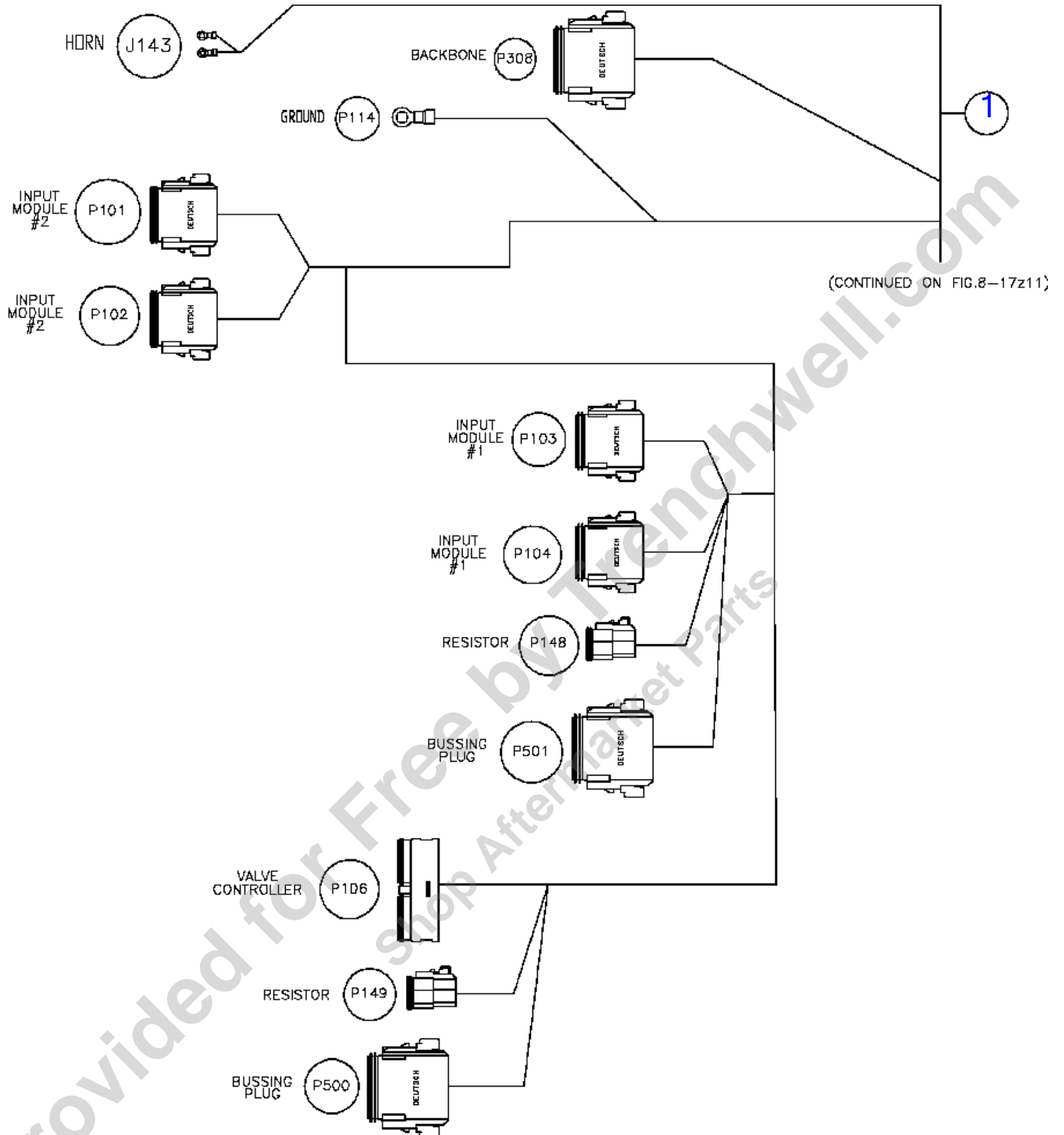
Fig 08-17X09

REF NO.	PART NO.	DESCRIPTION	QTY.	REMARKS
1	634540001	HARNESS-CAN BACK BONE MACHINE	1	

Provided for Free by Trenchwell.com
Shop Aftermarket Parts

Valve Harness

Fig 08-17X10



Valve Harness

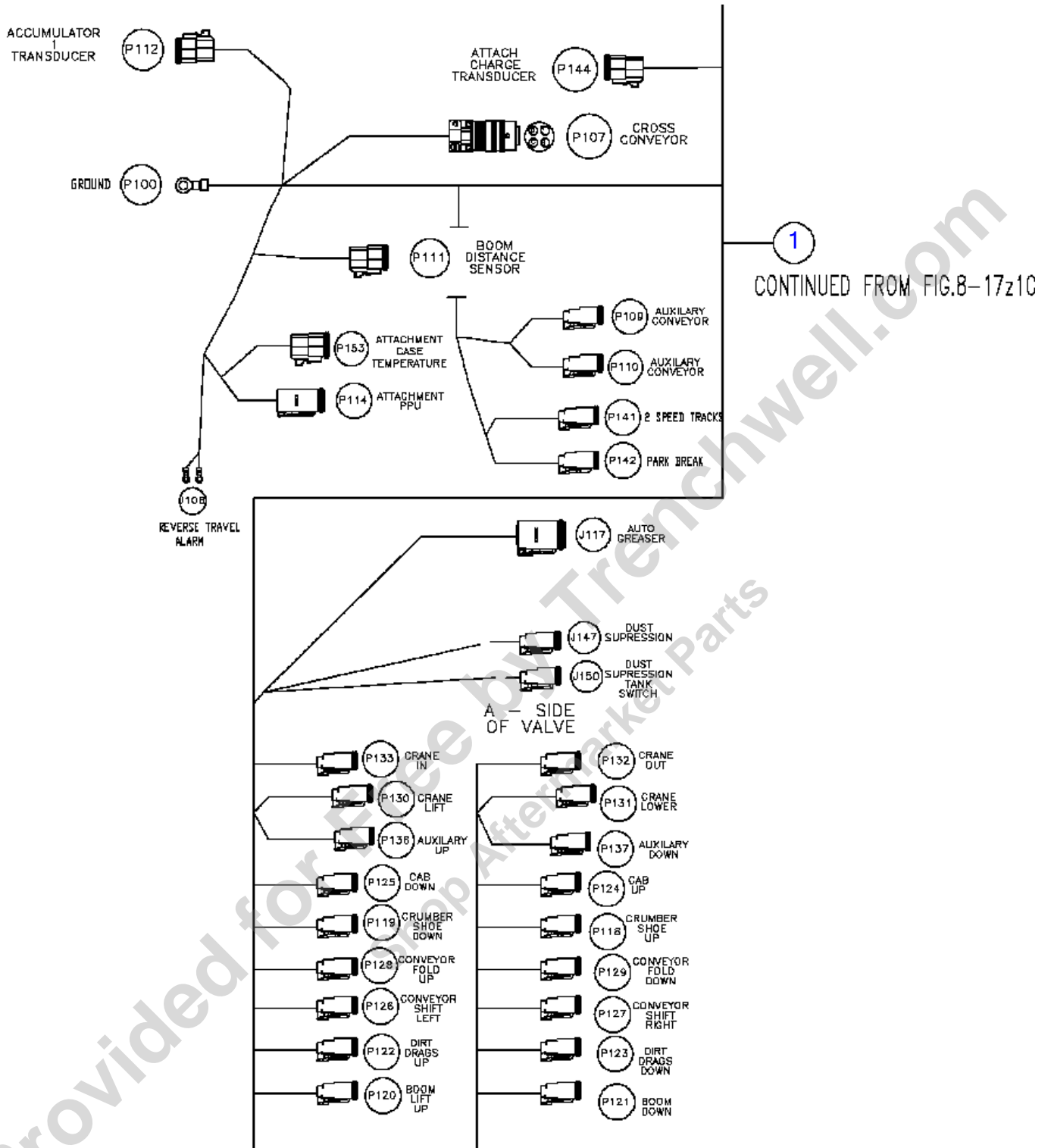
Fig 08-17X10

REF NO.	PART NO.	DESCRIPTION	QTY.	REMARKS
1	634541001	HARNESS-VALVES	1	(Cont. On Fig.8-17X11)

Provided for Free by Trenchwell.com
Shop Aftermarket Parts

Valve Harness

Fig 08-17X11



Valve Harness

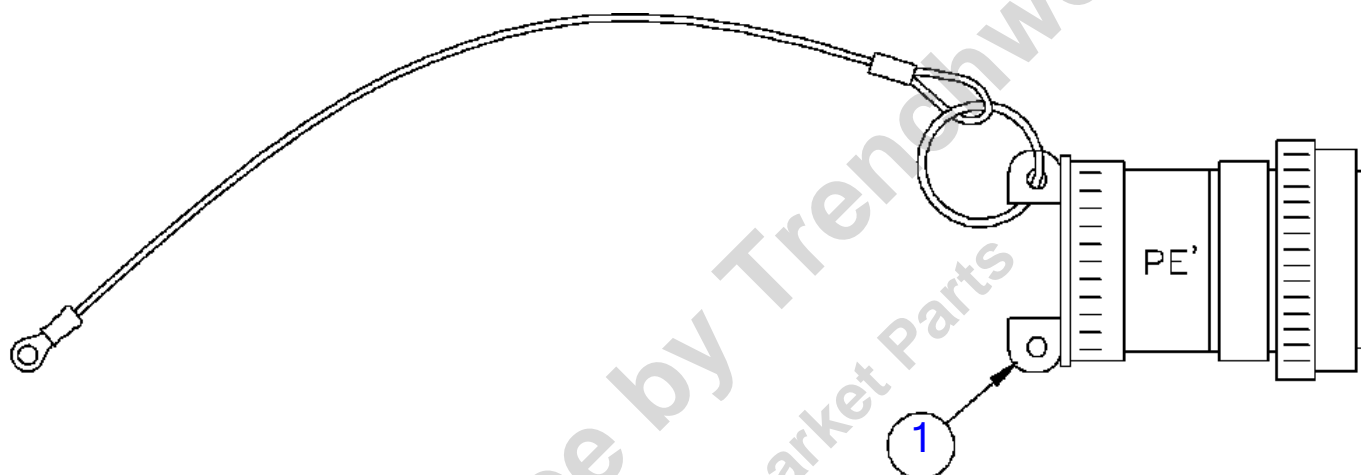
Fig 08-17X11

REF NO.	PART NO.	DESCRIPTION	QTY.	REMARKS
1	634541001	HARNESS-VALVES	1	(Cont. From Fig.8-17X10)

Provided for Free by Trenchwell.com
Shop Aftermarket Parts

Jumper Harness

Fig 08-17X12



Jumper Harness

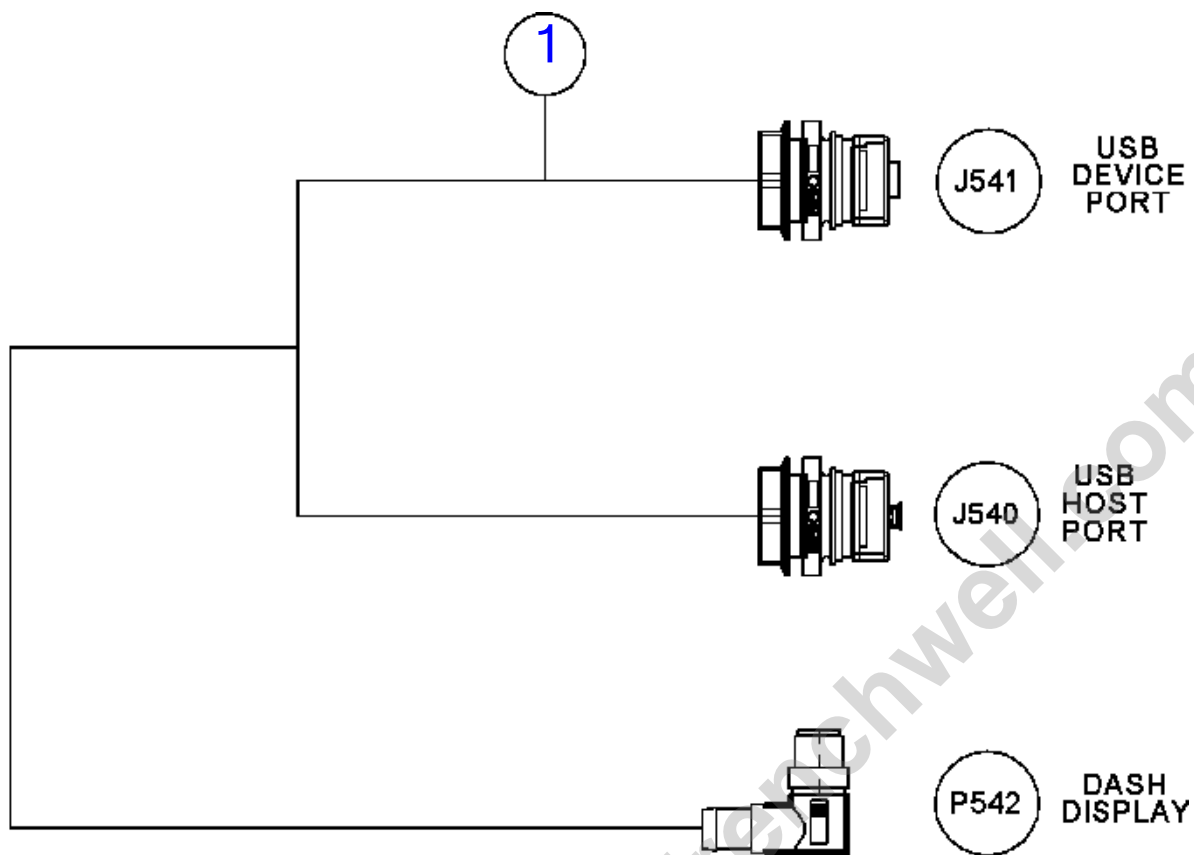
Fig 08-17X12

REF NO.	PART NO.	DESCRIPTION	QTY.	REMARKS
1	627364001	HARNESS-JUMPER	1	

Provided for Free by Trenchwell.com
Shop Aftermarket Parts

Harness-Dash DP720 USB (SN 558-)

Fig 08-17X13



Provided for Free by TractorParts.com
Shop Aftermarket Parts

Harness-Dash DP720 USB (SN 558-)

Fig 08-17X13

REF NO.	PART NO.	DESCRIPTION	QTY.	REMARKS
1	631863633	HARNESS DASH DP720 USB	1	

Provided for Free by Trenchwell.com
Shop Aftermarket Parts

Fuse Box
Fig 08-18

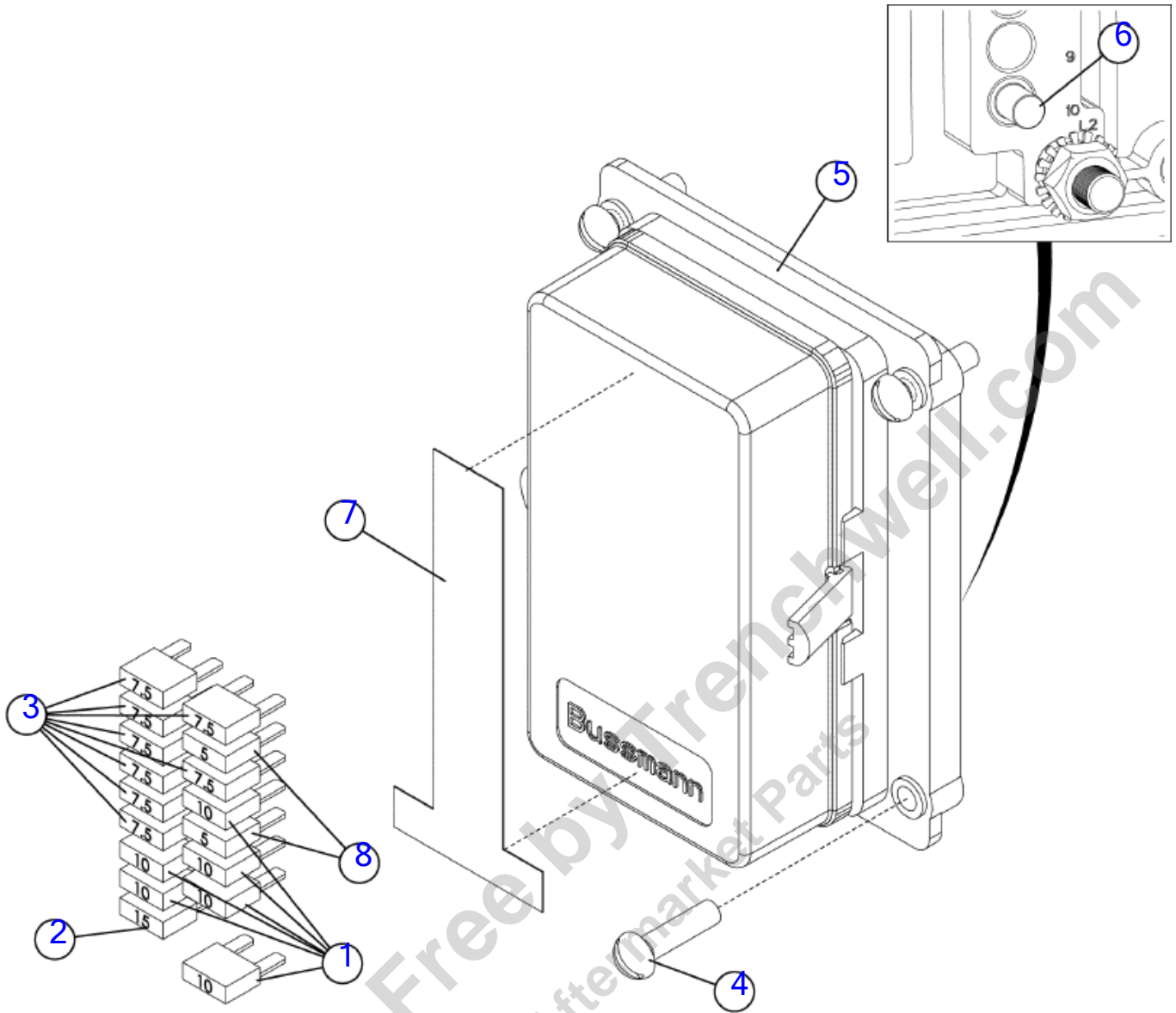


Illustration No: 627609001 - Not For Ordering

Fuse Box
Fig 08-18

REF NO.	PART NO.	DESCRIPTION	QTY.	REMARKS
1	296273497	FUSE - MINI 10 AMP	6	
2	296273498	FUSE - MINI 15 AMP	1	
3	296282541	FUSE - MINI 7.5 AMP	8	
4	504543001	10-32X3/4 RH M/S ZP	4	
5	625882001	BLOCK-FUSE	1	
6	628841001	METRI-PACK 280 CAVITY PLUG	1	
7	635203367	DECAL- FUSE BLOCK OVERLAY	1	Located Inside Fuse Block
8	700000291	FUSE-5 AMP	2	

Provided for Free by Trenchwell.com
Shop Aftermarket Parts

Horn
Fig 08-19

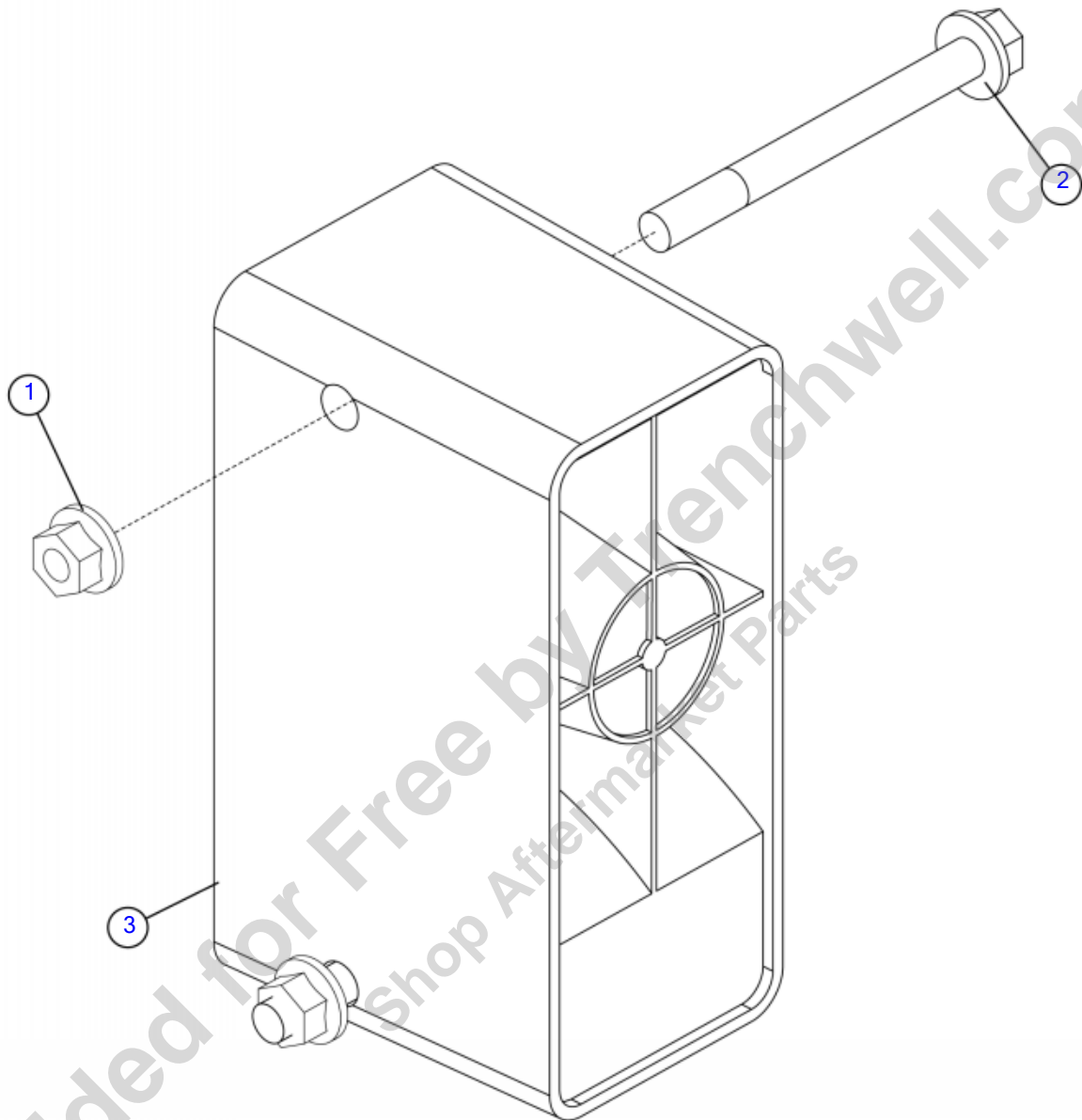


Illustration No. 623533001 - Not For Ordering

Horn
Fig 08-19

REF NO.	PART NO.	DESCRIPTION	QTY.	REMARKS
1	296300850	NUT-HEXFLGTL-.38-16-G	2	
2	296300941	SCREW-HFS-.38-16X4.00 GR8 YZ	2	
3	621005001	HORN, FORWARD	1	

Provided for Free by Trenchwell.com
Shop Aftermarket Parts

Back-Up Alarm

Fig 08-20

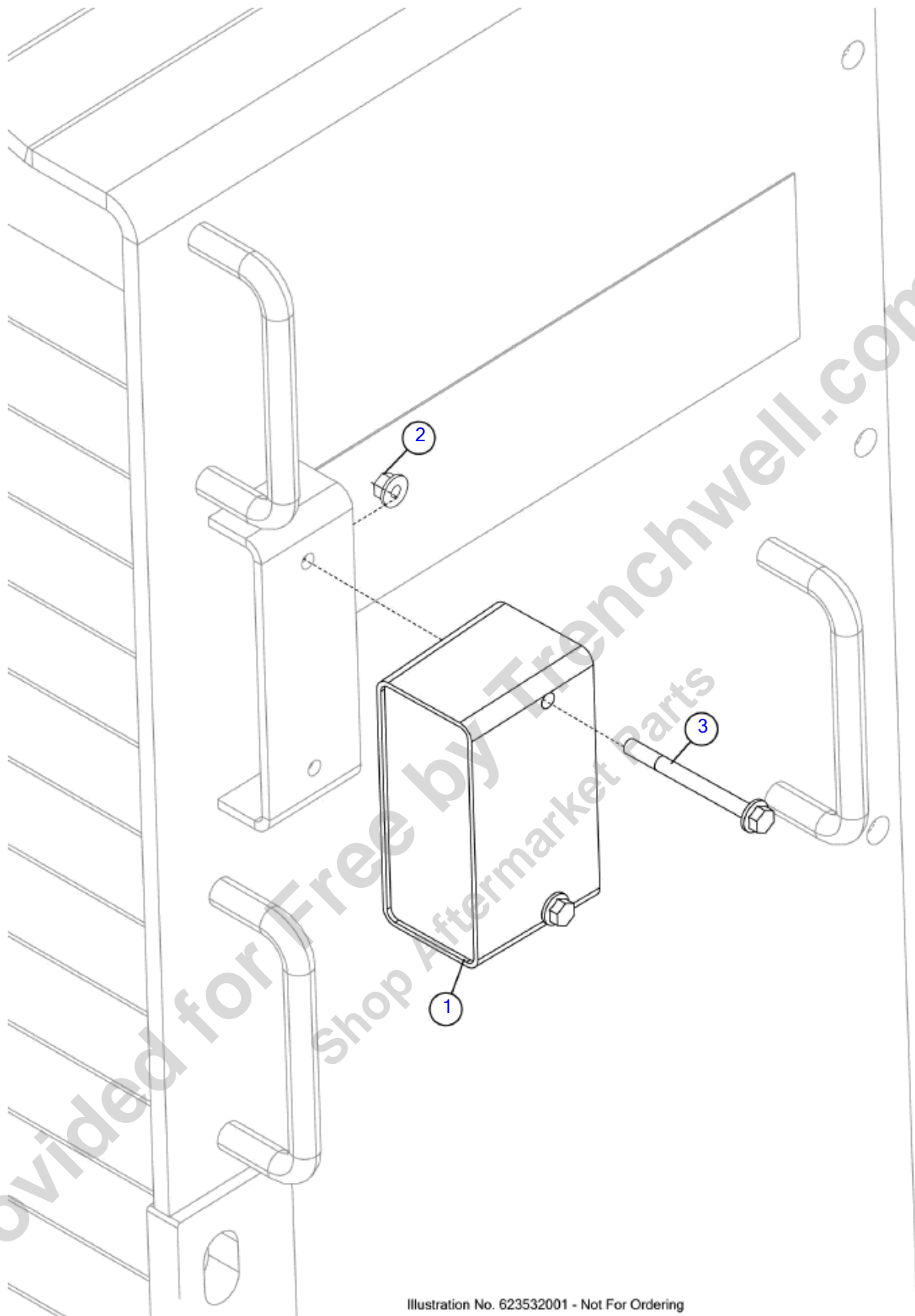


Illustration No. 623532001 - Not For Ordering

Back-Up Alarm

Fig 08-20

REF NO.	PART NO.	DESCRIPTION	QTY.	REMARKS
1	163749566	ALARM, BACK UP, 12 TO 36V, 112DB	1	
2	296300850	NUT-HEXFLGTL-.38-16-G	2	
3	296300941	SCREW-HFS-.38-16X4.00 GR8 YZ	2	

Provided for Free by Trenchwell.com
Shop Aftermarket Parts

Battery

Fig 08-21

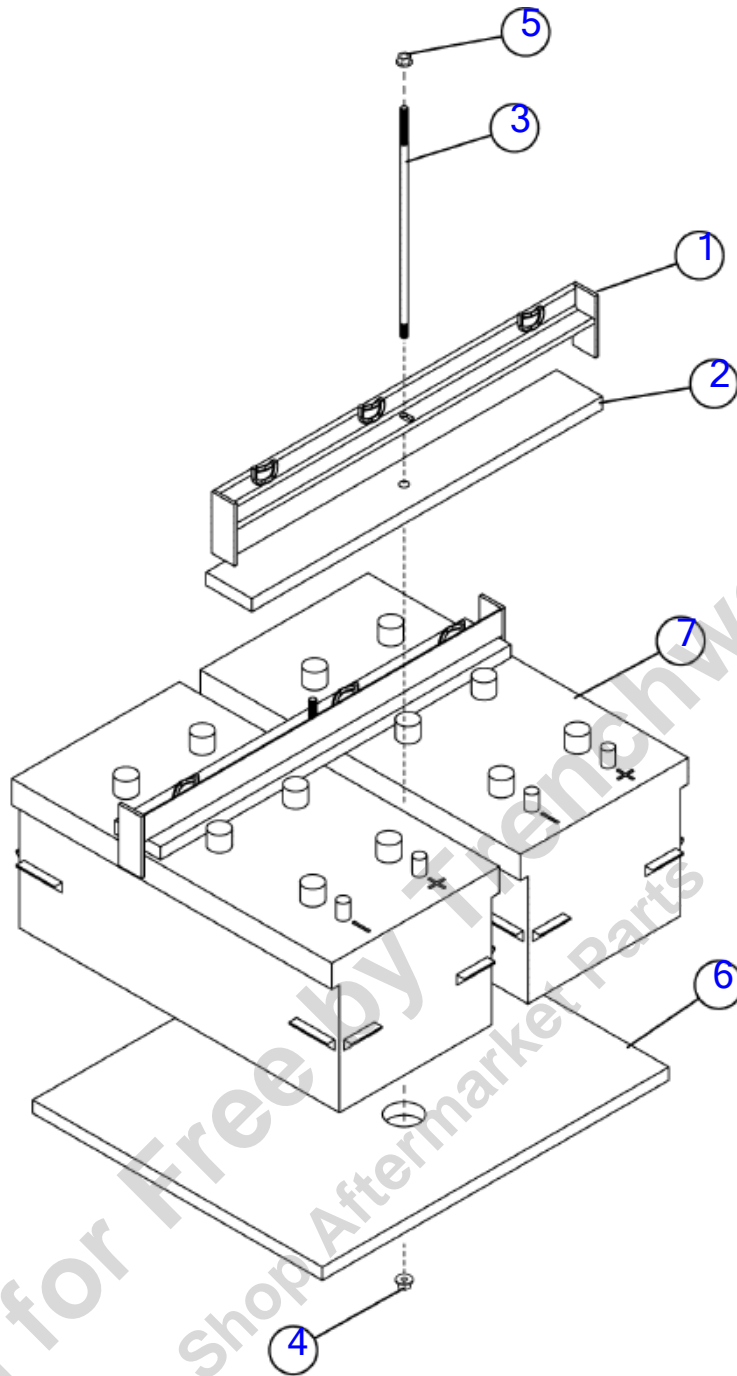


Illustration No. 627421001 - Not For Ordering

Battery
Fig 08-21

REF NO.	PART NO.	DESCRIPTION	QTY.	REMARKS
1	110408001	HOLD-DOWN BATTERY	2	
2	110413001	BAND-RUBBER HOLD-DOWN	2	
3	113195001	ROD-BATTERY HOLD DOWN	2	
4	296300850	NUT-HEXFLGTL-.38-16-G	2	
5	296300895	NUT, HEXFLG-.38-16-GR8-YZ	2	
6	628494001	MAT-BATTERY	1	
7		BATT. GROUP 8-D 1155 CCA	2	Not Sold Separately

Provided for Free by Trenchwell.com
 Shop Aftermarket Parts

Battery Disconnect

Fig 08-22

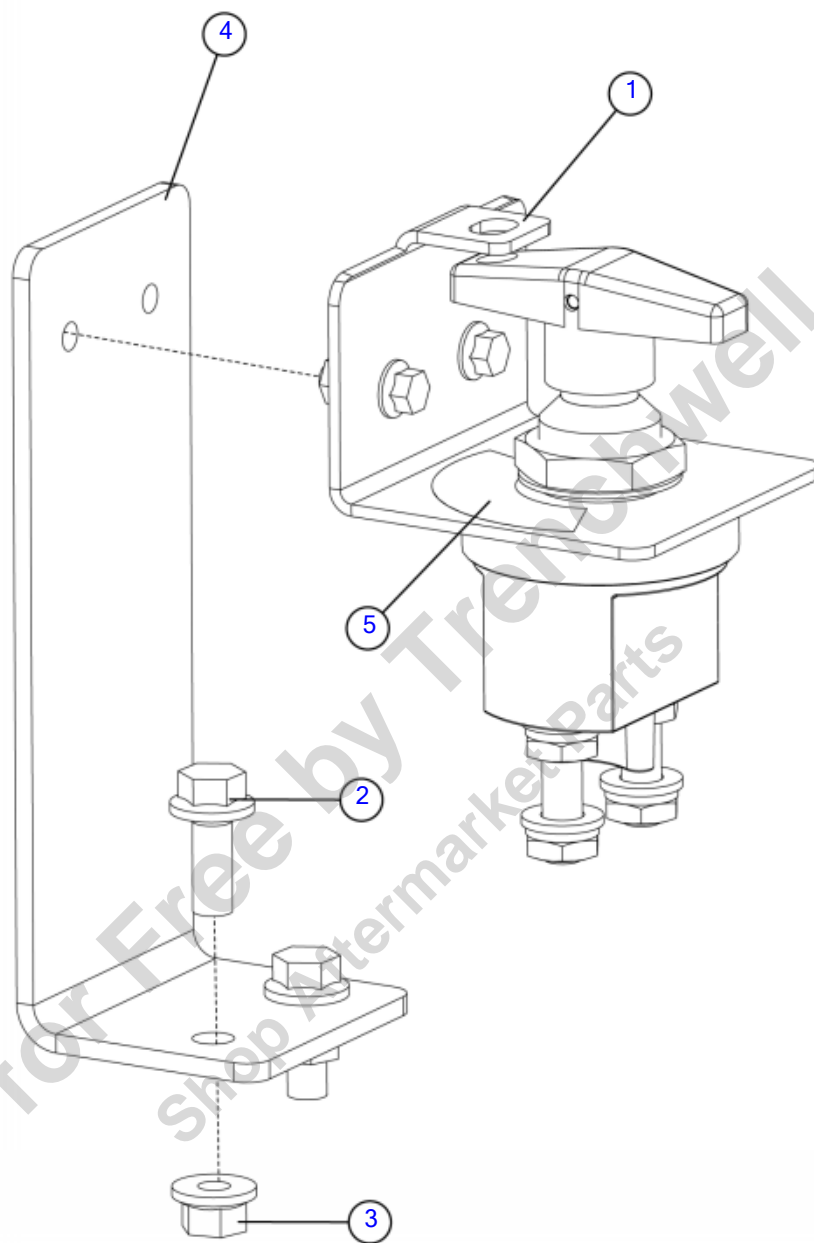


Illustration No.632260001-Not For Ordering

Battery Disconnect

Fig 08-22

REF NO.	PART NO.	DESCRIPTION	QTY.	REMARKS
1	283099001	SWITCH KIT-BATTERY DISCONNECT	1	
2	296300772	SCREW HFS .38-16X1.00 GR8	2	
3	296300850	NUT-HEXFLGTL-.38-16-G	2	
4	632261001	MOUNT-BATTERY DISCONNECT	1	
5	700IA695	DECAL-BATTERY DISCONNECT	1	

Provided for Free by Trenchwell.com
Shop Aftermarket Parts

Cables
Fig 08-23

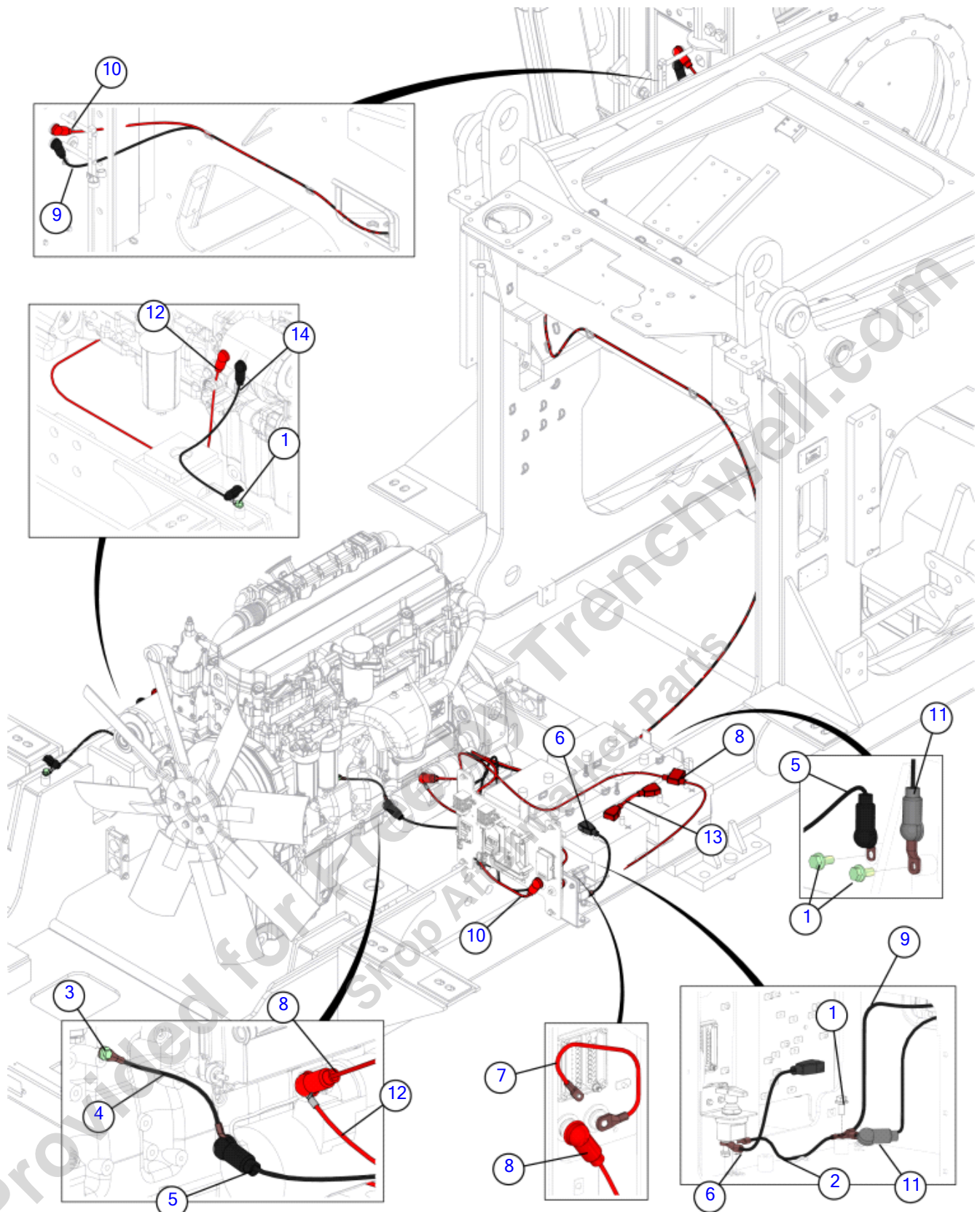


Illustration No. 62755401 - Not For Ordering

Cables
Fig 08-23

REF NO.	PART NO.	DESCRIPTION	QTY.	REMARKS
1	296300788	SCREW HFS .50 13 X 1.00 GR8	4	
2	3262085	BATT.CABLE-2/0 X 48"LG E-E	1	
3	507612016	SCREW-HFS,M10-1.50X16,10.9,ANSI,B18.2.3.9M,FT	1	
4	621642001	BATT.CABLE-4GA. BLK. E-E 36"	1	
5	623372001	CABLE-GROUND STUD TO STARTER	1	
6	626879001	BATT. CABLE 2/0 BK	1	
7	626893001	BATT. CABLE-4GA. RED E-E 11"	1	
8	627555001	CABLE-2/0 RD	1	
9	627642001	CABLE-1/0 BK E-E 245"	1	
10	627643001	CABLE-1/0 RD	1	
11	628453001	BATT.CABLE-2/0 BK E-E 55"	1	
12	631861506	CABLE - BATTERY 1/0 - 125" RED	1	
13	631866003	CABLE-2/0AWG -RED-8-BATTPOST-BATTPOST	1	
14	845035	BATT.CABLE 1/0GA 32 E-E BLACK	1	

Provided for Free by Trenchwell.com
 Shop Aftermarket Parts

Wire Harness Bracket

Fig 08-24

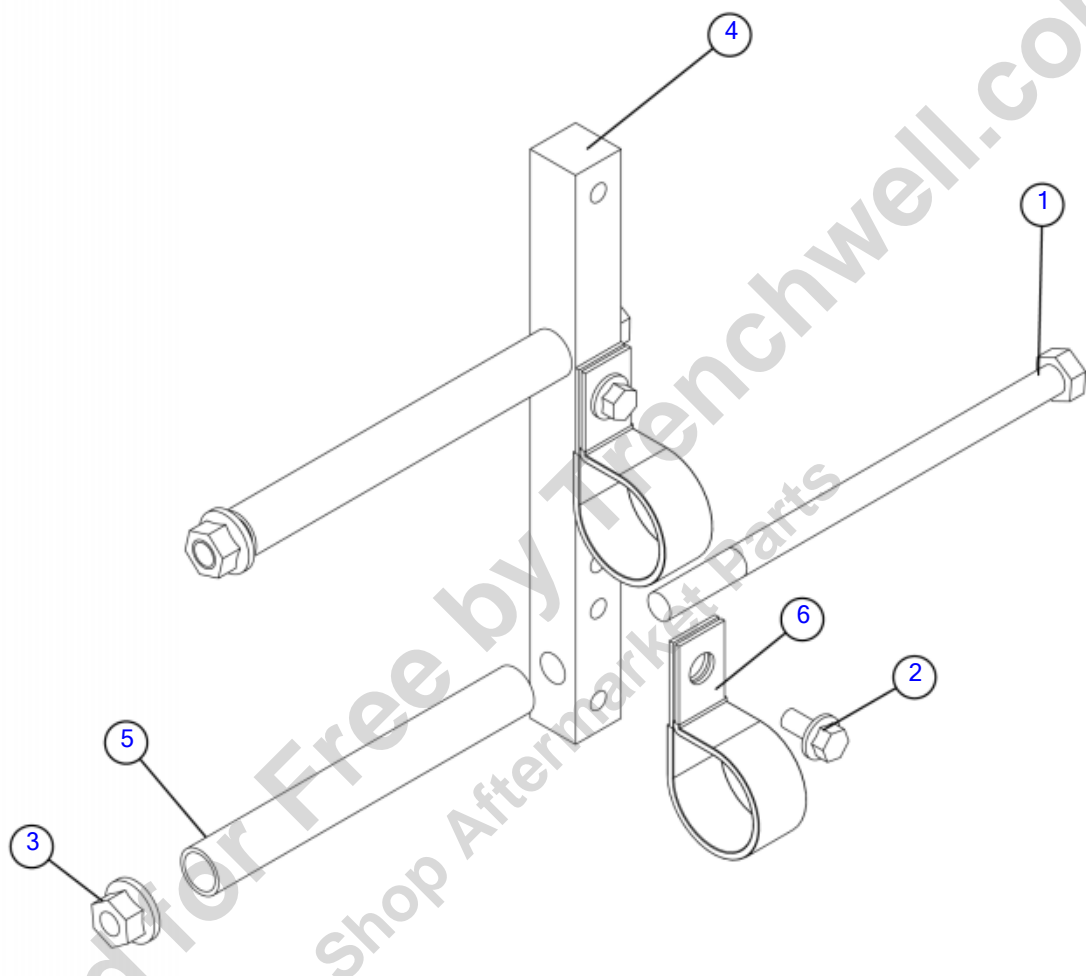


Illustration No: 628433001 - Not For Ordering

Wire Harness Bracket

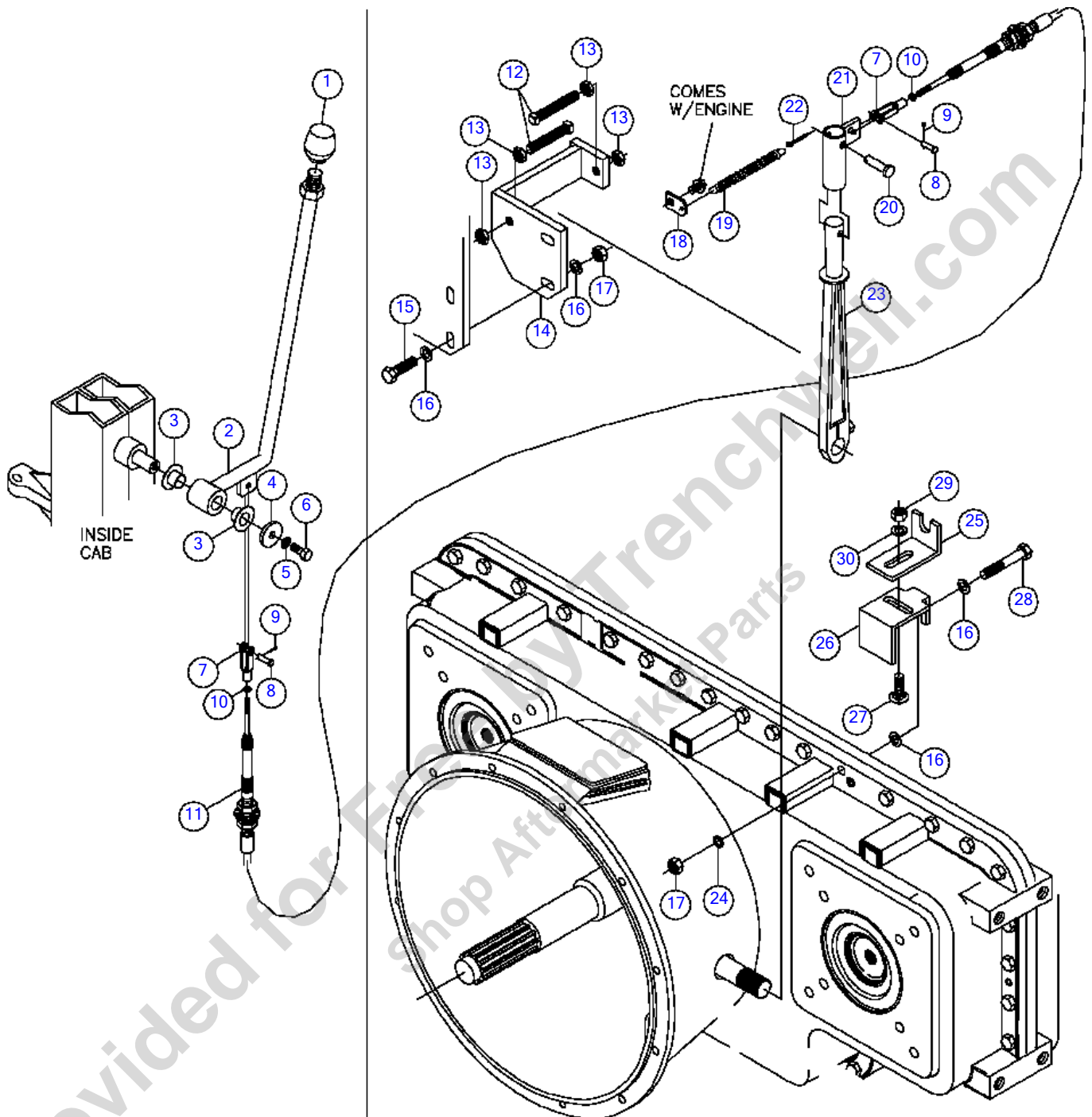
Fig 08-24

REF NO.	PART NO.	DESCRIPTION	QTY.	REMARKS
1	278010001	BOLT-3/8-16X6 1/2 GR8 HEX	2	
2	296300751	SCREW HFS .25-20X.50 GR8	2	
3	296300850	NUT-HEXFLGTL-.38-16-G	2	
4	607746001	BAR - WIRE MOUNT	1	
5	607747001	TUBE - WIRE MOUNT	2	
6	611644001	CLAMP- 1 5/16 HEAVY DUTY	2	

Provided for Free by Trenchwell.com
Shop Aftermarket Parts

Clutch Actuator-Tier 3

Fig 08-25



Clutch Actuator-Tier 3

Fig 08-25

REF NO.	PART NO.	DESCRIPTION	QTY.	REMARKS
1	2598001	KNOB - #40B BLACK 1/2"-13	1	
2	600891001	HANDLE-CLUTCH	1	
3	209001	BSHG-NYLINER 12 L 12 F	2	
4	27938001	WASHER-.406 ID X 1.50 OD-.25 THICK ZY	1	
5	485007	WASHER-FLATSTD-.38-.44X1.00-.08-CZ	1	
6	354010	BOLT-3/8-16X1" GRADE#5 HEX	1	
7	64188001	CLEVIS-CABLE A042212	2	Inc Ref 8 & 9
8	2110011	PIN-CLEVIS 5/16X1 - 49/64 UL	2	
9	510005	COTTER PIN-3/32" X 3/4"	2	
10	14881001	NUT-1/4-28 NF HEX JAM	2	
11	600111001	CABLE CONTROL-240" 1/4-28ENDS	1	
12	550030	SCREW-1/2-13X3 SQ.HD.SET/CUP P	2	
13	422001	NUT-1/2 NC HEX JAM	4	
14	617457001	BRACKET CLUTCH STOP	1	
15	75381016	BOLT-1/2-UNCX1 3/4 GR.8 HEX	2	
16	86510001	WASHER-1/2 FLT HARDENED	6	
17	75380001	NUT-1/2-UNC GRADE 8 HEX	4	
18	112538001	RETAINER-TAB	1	
19	1789015	SPRING - EXT. #92 4 1/2" OA	1	
20	277732001	PIN - CLEVIS PLATED	1	
21	600898001	LEVER-CLUTCH	1	
22	510009	COTTER PIN-1/8" X 1"	1	
23	67248001	HANDLE-CLUTCH/P.I.	1	
24	480011	WASHER-1/2 S/T LOCK	1	
25	124153001	MOUNT-CABLE BRACKET	1	
26	617476001	MOUNT - CABLE BRACKET	1	
27	377012	BOLT-1/2-13X1 1/4"GD#5CARRIAGE	1	
28	75381030	BOLT 1/2 - UNCX3 GR 8 HEX	1	
29	423001	NUT-1/2 NC SLTL UTB	1	
30	485011	WASHER-1/2 FLAT	1	

Clutch Actuator-Tier 4 Final

Fig 08-26

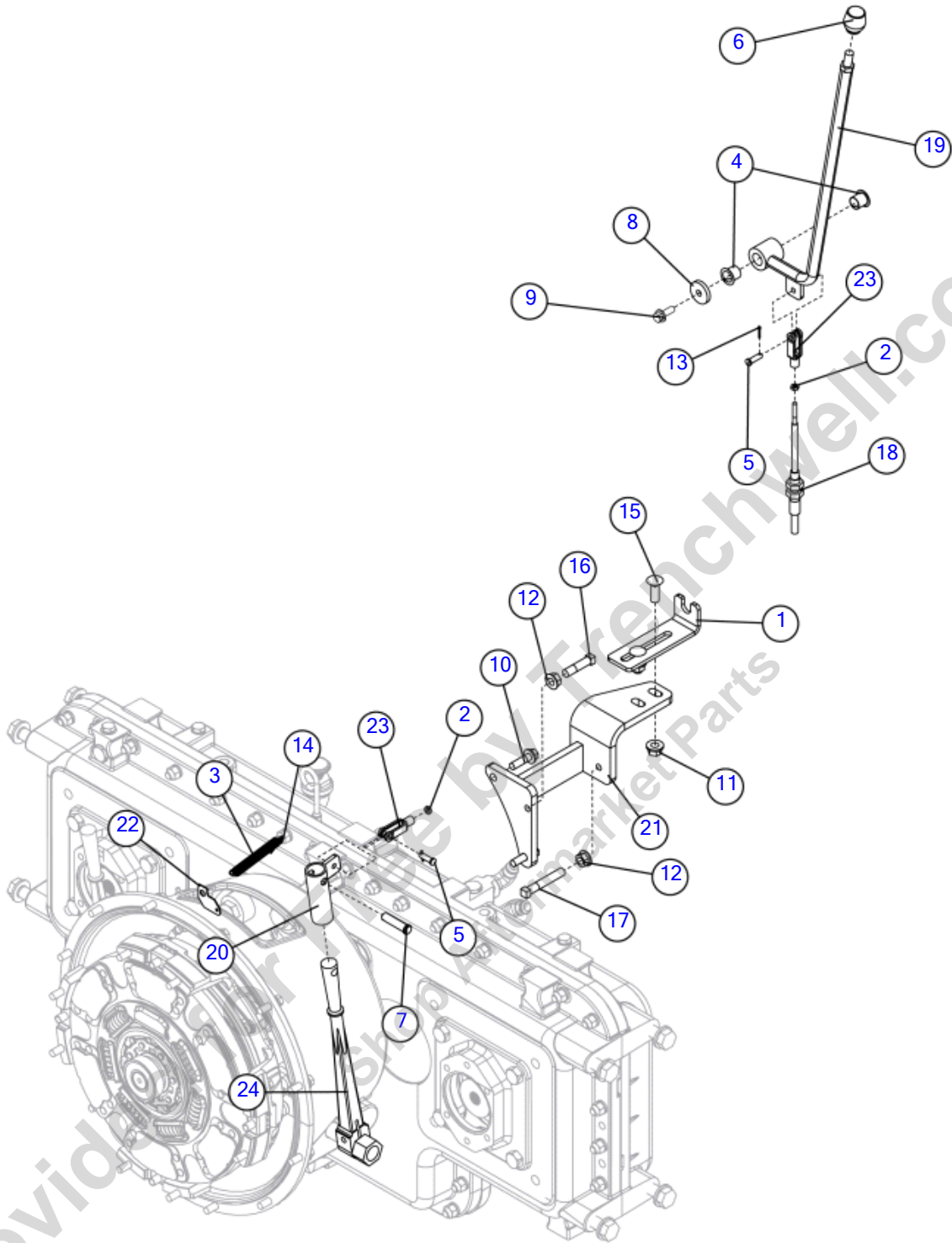


Illustration No.633380001-Not For Ordering

Clutch Actuator-Tier 4 Final

Fig 08-26

REF NO.	PART NO.	DESCRIPTION	QTY.	REMARKS
1	124153001	MOUNT-CABLE BRACKET	1	
2	14881001	NUT-1/4-28 NF HEX JAM	2	
3	1789015	SPRING - EXT. #92 4 1/2" OA	1	
4	209001	BSHG-NYLINER 12 L 12 F	2	
5	2110011	PIN-CLEVIS 5/16X1 - 49/64 UL	2	
6	2598001	KNOB - #40B BLACK 1/2"-13	1	
7	277732001	PIN - CLEVIS PLATED	1	
8	27938001	WASHER-.406 ID X 1.50 OD-.25 THICK	1	
9	296300772	SCREW HFS .38-16X1.00 GR8	1	
10	296300782	SCREW-HFS-.44-14X1.50-GR8- YZ	2	
11	296300851	NUT-HEXFLGTL-.50-13-G	2	
12	296300899	NUT-HEX FLG-.50-13-GR8-YZ	2	
13	510005	COTTER PIN-3/32" X 3/4"	2	
14	510009	COTTER PIN-1/8" X 1"	1	
15	510310114	BOLT-CARG-.50-13X1.50-GR5	2	
16	550020	SQ HSS-1/2-13X2	1	
17	550030	SCREW-1/2-13X3 SQ.HD.SET/CUP P	1	
18	600111001	CABLE CONTROL-240" 1/4-28ENDS	1	
19	600891001	HANDLE-CLUTCH	1	
20	600898001	LEVER-CLUTCH	1	
21	613719001	BRACKET - CLUTCH STOP	1	
22	633379001	EAR-LEVER	1	
23	64188001	CLEVIS-CABLE A042212	2	
24	67248001	HANDLE-CLUTCH/P.I.	1	

Wireless Attachment Control-Mount

Fig 08-27

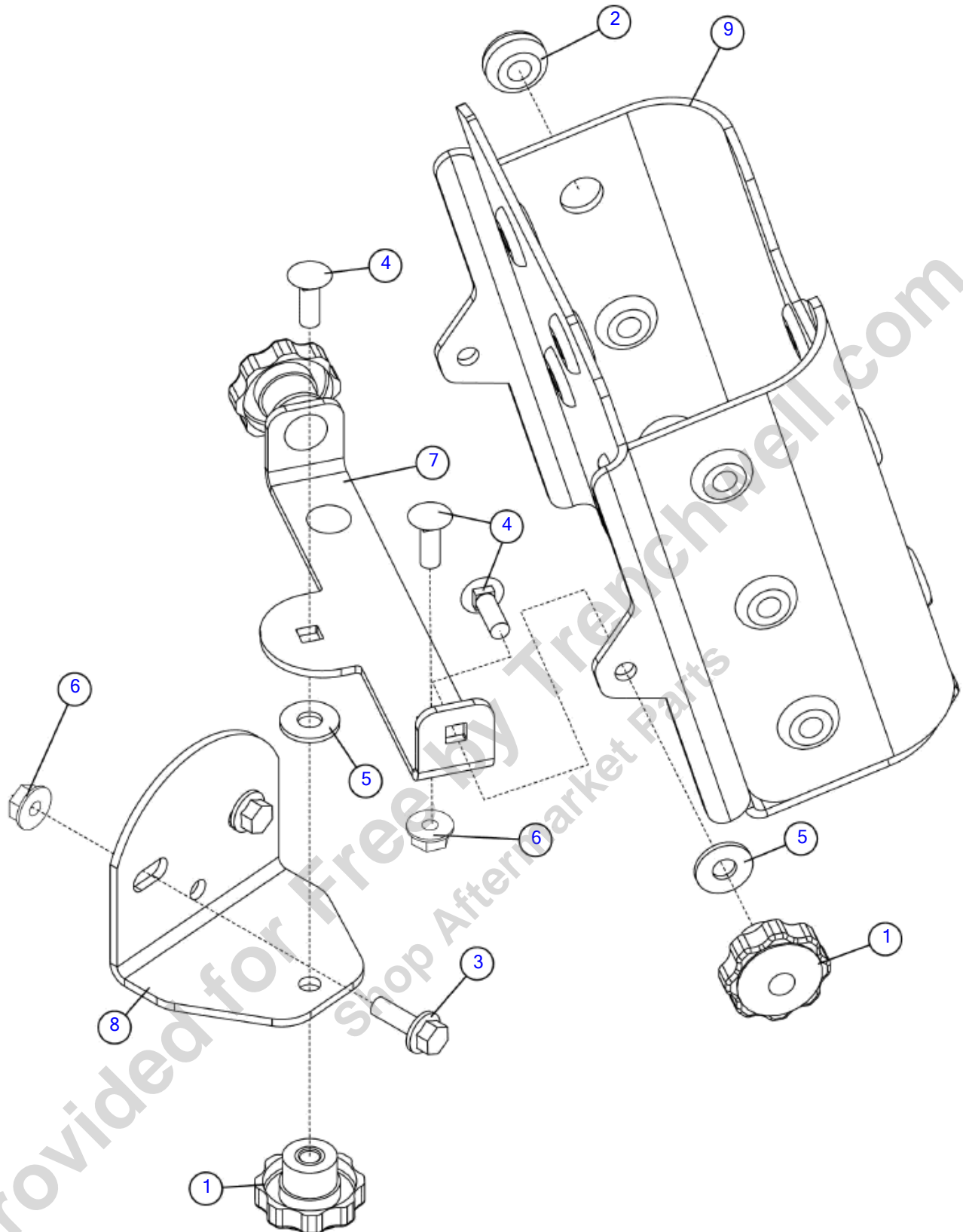


Illustration No. 633025001 - Not For Ordering

Wireless Attachment Control-Mount

Fig 08-27

REF NO.	PART NO.	DESCRIPTION	QTY.	REMARKS
1	163656237	KNOB-1/4-20 THRU 4200 SERIES	3	
2	1865027	GROMMET-5/16ID-1/8GR-.56 HOLE	18	
3	296300753	SCREW-HFS-.25-20X.75-GR8	2	
4	510308156	BOLT-CARG-.25-20X.75-GR5	5	
5	510337603	WASHER FLATSTD .25 .31 X .75 .07	3	
6	510352505	NUT-SMFLGTL-.25-20-G	4	
7	633029001	PLATE-PIVOT MOUNT	1	
8	633031001	MOUNT-WIRELESS RAC	1	
9	633041001	MOUNT-WIRELESS REMOTE	1	

Provided for Free by Trenchwell.com
Shop Aftermarket Parts

Wireless Attachment Control-RAC

Fig 08-28

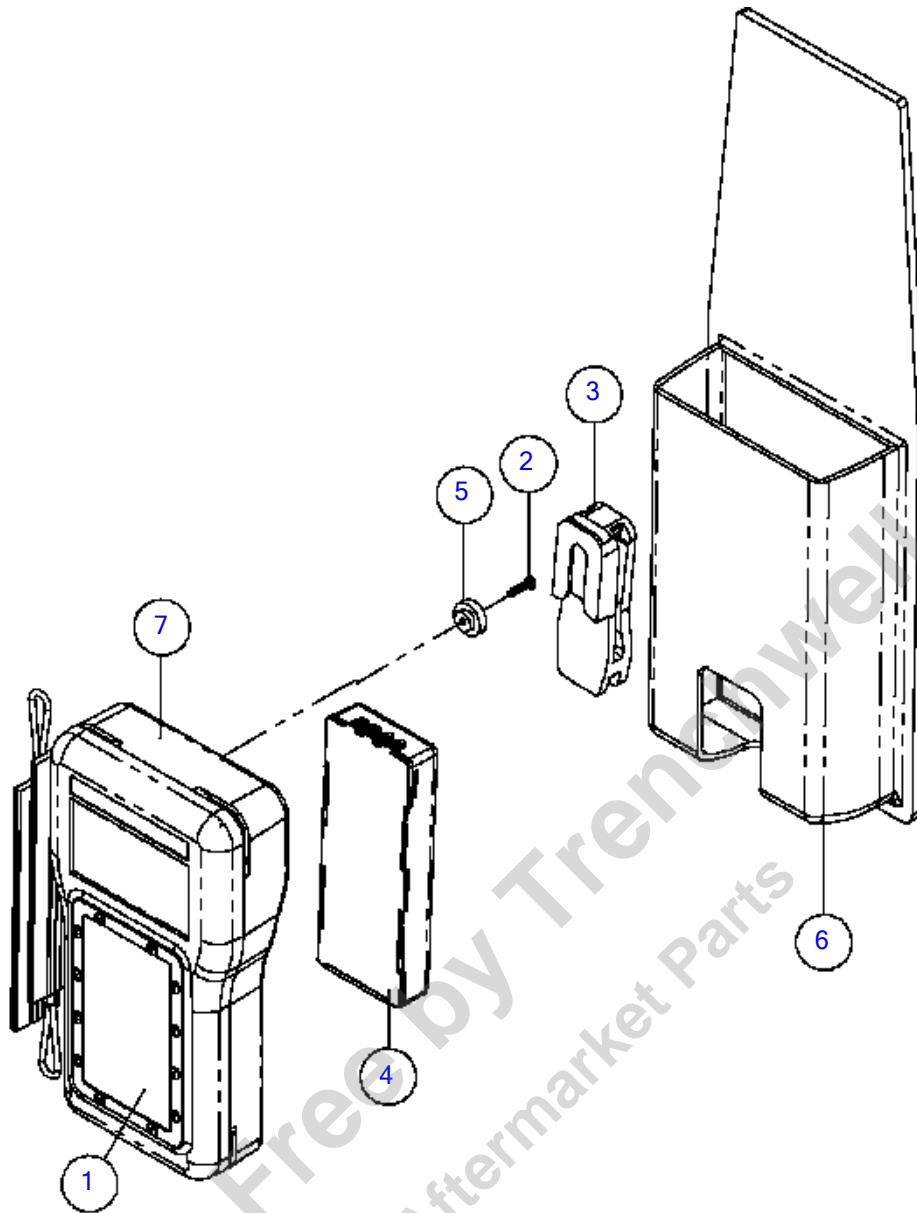


Illustration No: 296330771 - Not For Ordering

Wireless Attachment Control-RAC

Fig 08-28

REF NO.	PART NO.	DESCRIPTION	QTY.	REMARKS
1	700IF242	OVERLAY - WIRELESS RAC	1	
2	296272452	SCREW-PLS-420X1/2-CZ-PAN	1	
3	296304779	BELT CLIP - 2" ROTATE 180 TO RELEASE	1	
4	296304649	R4xx BATTERY HOLDER ASSEMBLY	1	
5	296304780	BELT CLIP ADAPTER TAB RND #4	1	
6	296330801	HOLSTER - LEATHER R4XX	1	
7	296330771	CONTROLS/ELECTRICAL-R424HH REMOTE LCD T-LEVELER	1	Inc. Ref. 1-6

Provided for Free by Trenchwell.com
Shop Aftermarket Parts

Wireless Attachment Control-Antenna

Fig 08-29

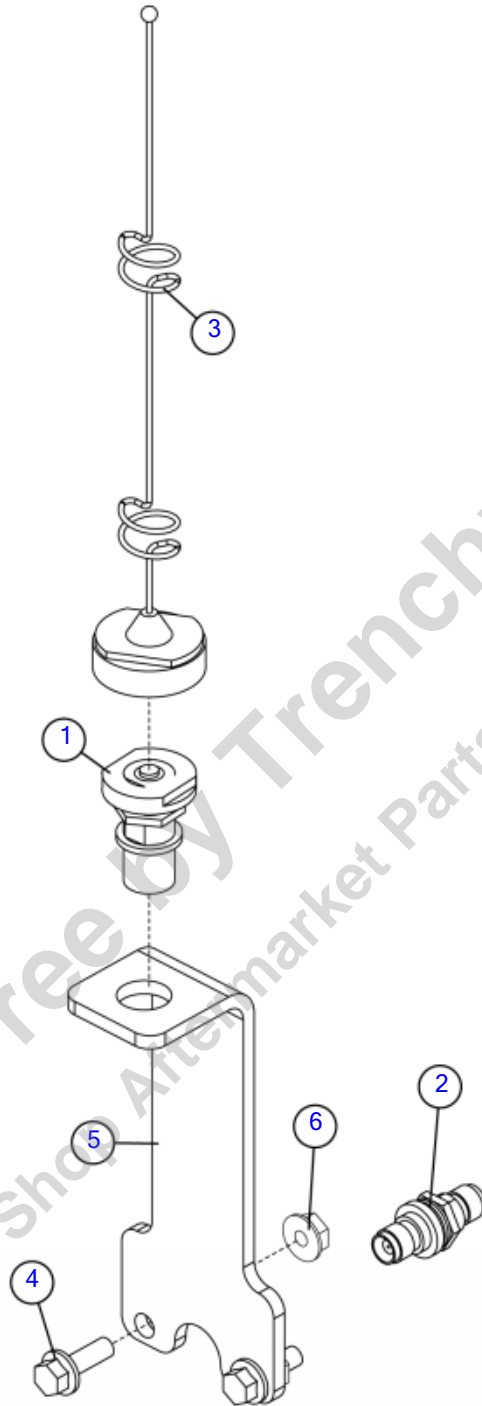


Illustration No. 633023001 - Not For Ordering

Wireless Attachment Control-Antenna

Fig 08-29

REF NO.	PART NO.	DESCRIPTION	QTY.	REMARKS
1	180008689	MOUNT-ANTENNA THICK BASE	1	
2	296250301	CONNECTOR BULK HEAD	1	
3	296272382	ANTENNA - 2400MHZ 1/4 WAVE	1	
4	296300753	SCREW-HFS-.25-20X.75-GR8	2	
5	633022001	BRACKET-ANTENNA	1	
6	510352505	NUT-SMFLGTL-.25-20-G	2	

Provided for Free by Trenchwell.com
Shop Aftermarket Parts

Wireless Attachment Control Base

Fig 08-30

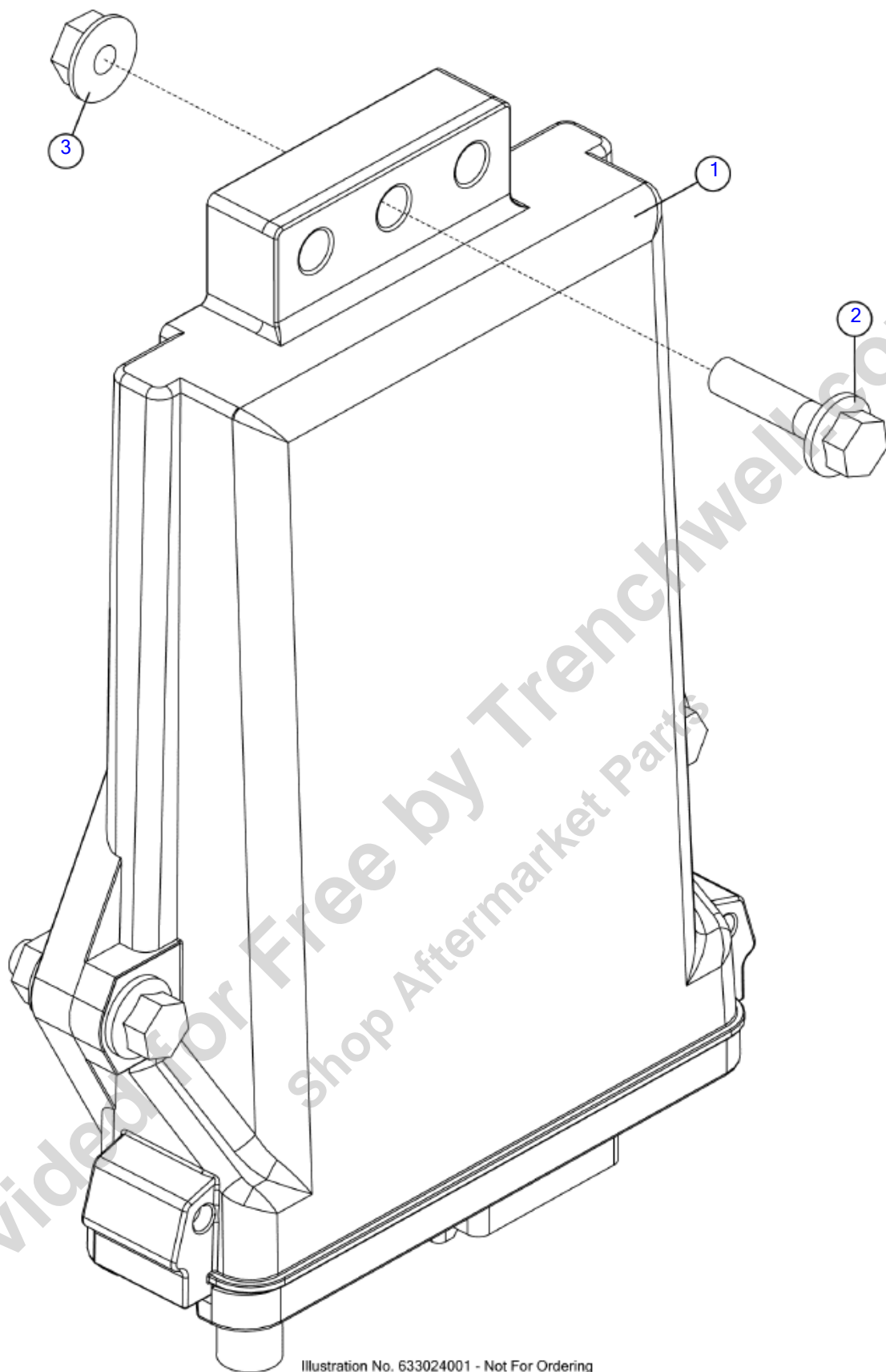


Illustration No. 633024001 - Not For Ordering

Wireless Attachment Control Base

Fig 08-30

REF NO.	PART NO.	DESCRIPTION	QTY.	REMARKS
1	296272543	ASM, UNIVERSAL TRANSCEIVER BASE B424	1	
2	296300754	SCREW HFS .25 20X1.00 GR8	3	
3	510352505	NUT-SMFLGTL-.25-20-G	3	

Provided for Free by Trenchwell.com
Shop Aftermarket Parts

Wireless Attachment Control-Harness

Fig 08-31

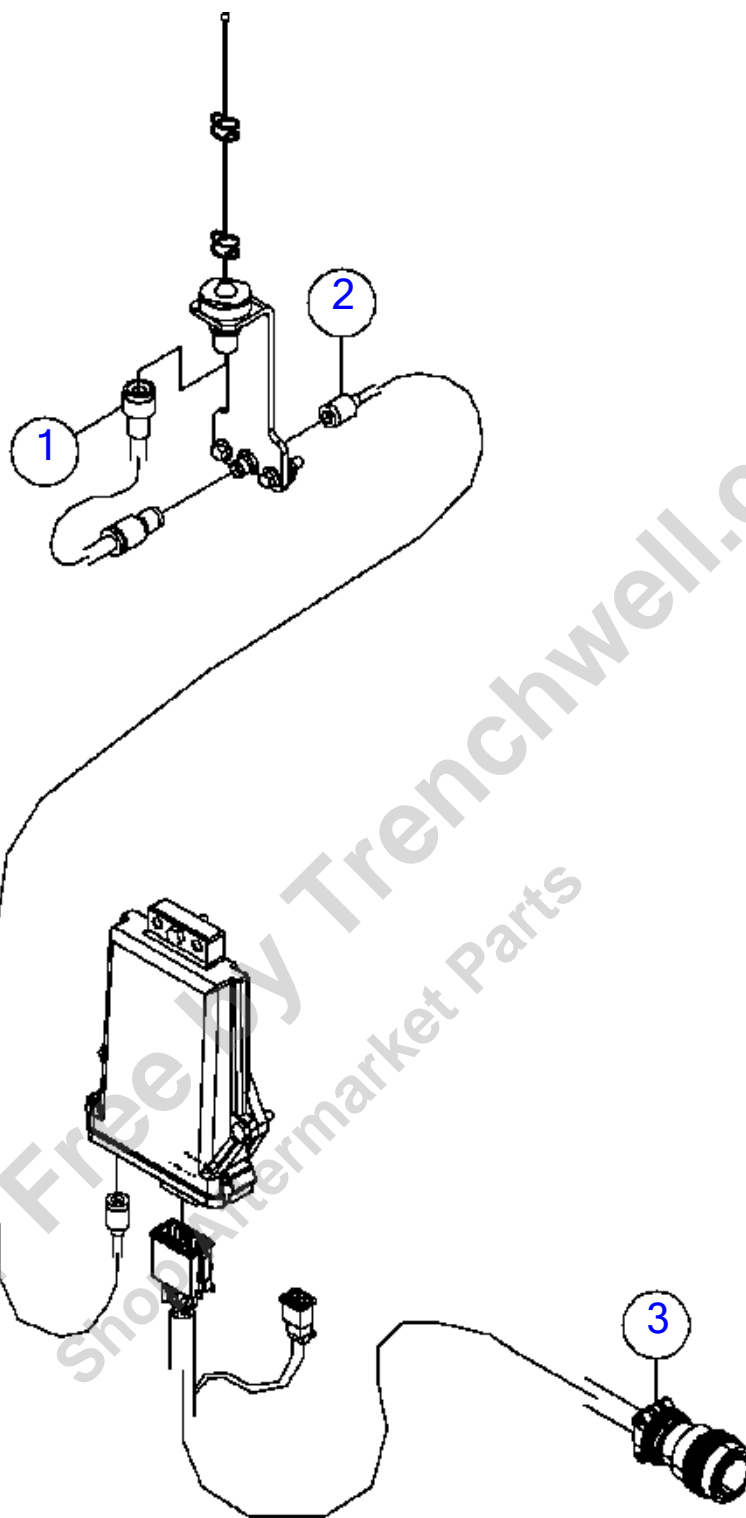


Illustration No 633026001

Wireless Attachment Control-Harness

Fig 08-31

REF NO.	PART NO.	DESCRIPTION	QTY.	REMARKS
1	633021001	CABLE-RF 12" RG8 TNC MALE TO N	1	
2	296333760	CABLE - 10' RG58 TNC MALE TO TNC MALE	1	
3	632980001	HARNESS-WIRELESS RAC	1	

Provided for Free by Trenchwell.com
Shop Aftermarket Parts

Wireless Attachment Control-Base Mount

Fig 08-32

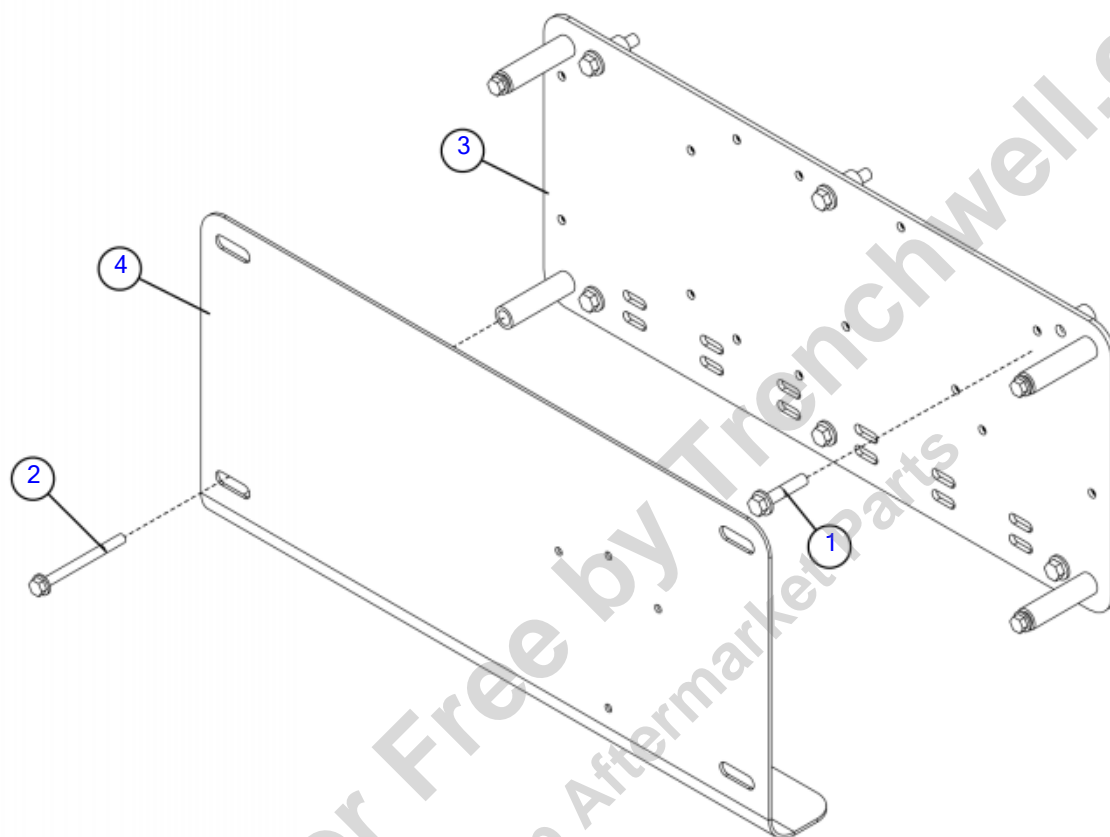


Illustration No. 629553001-Not For Ordering

Wireless Attachment Control-Base Mount

Fig 08-32

REF NO.	PART NO.	DESCRIPTION	QTY.	REMARKS
1	296300775	SCREW HFS .38 16 X 1.75 GR8	6	
2	296300948	SCREW - HFS - .31 - 18 X 3.50 - GR8-YZ	4	
3	629554001	WELDMENT-CONTROL BOX BASE	1	
4	635203638	WELDMENT-CONTROL BOX FRONT PLATE	1	

Provided for Free by Trenchwell.com
Shop Aftermarket Parts

Wireless Attachment Control-Hole Plug

Fig 08-33

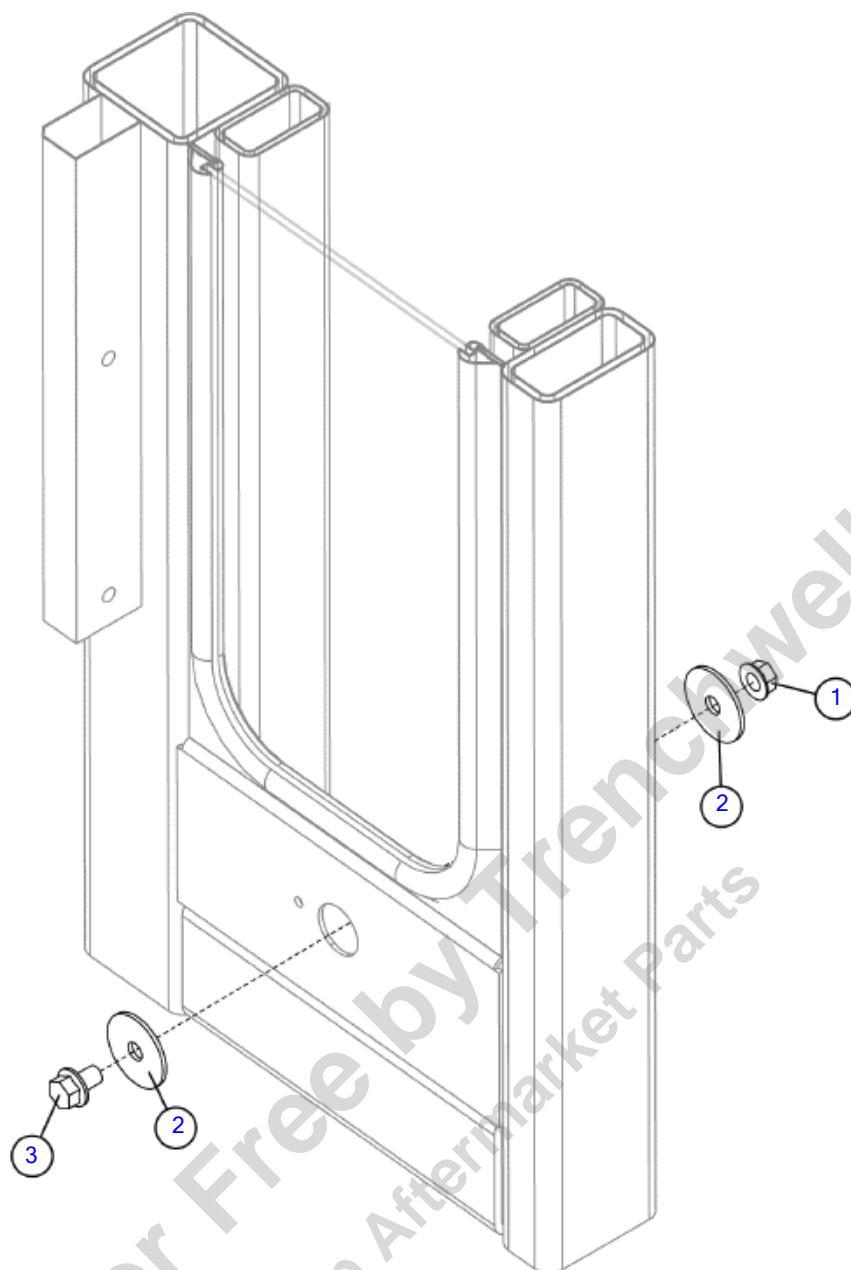


Illustration No.633317001-Not For Ordering

Wireless Attachment Control-Hole Plug

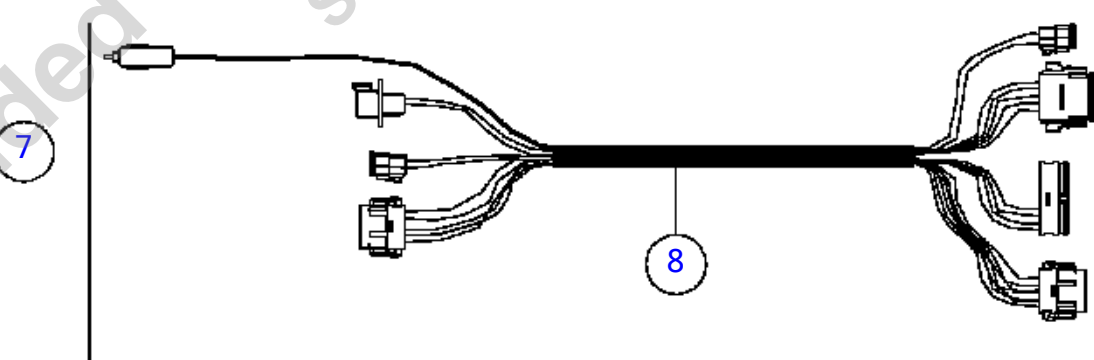
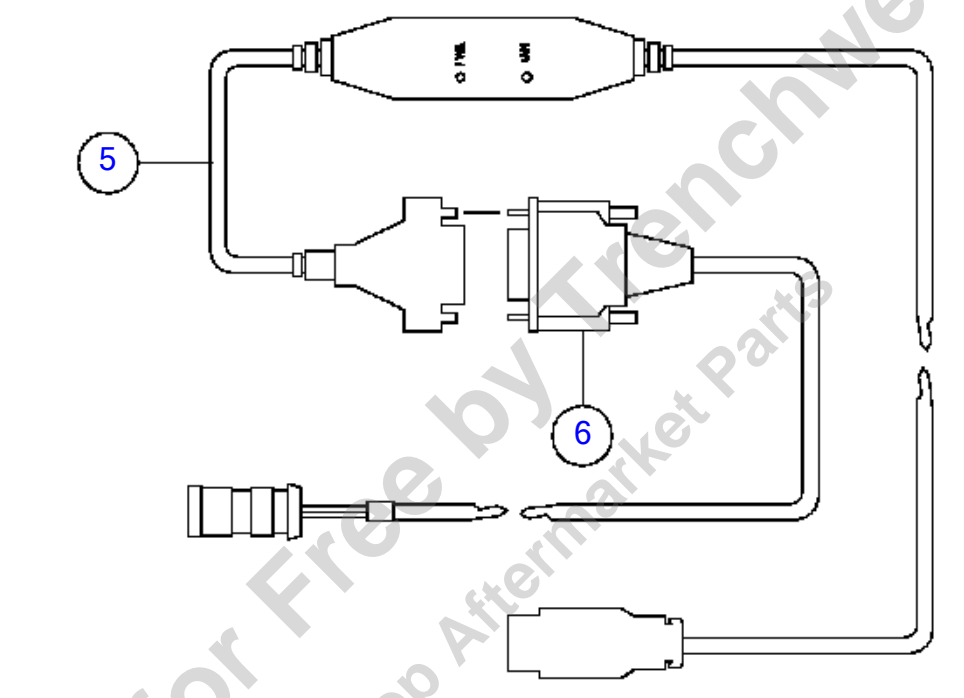
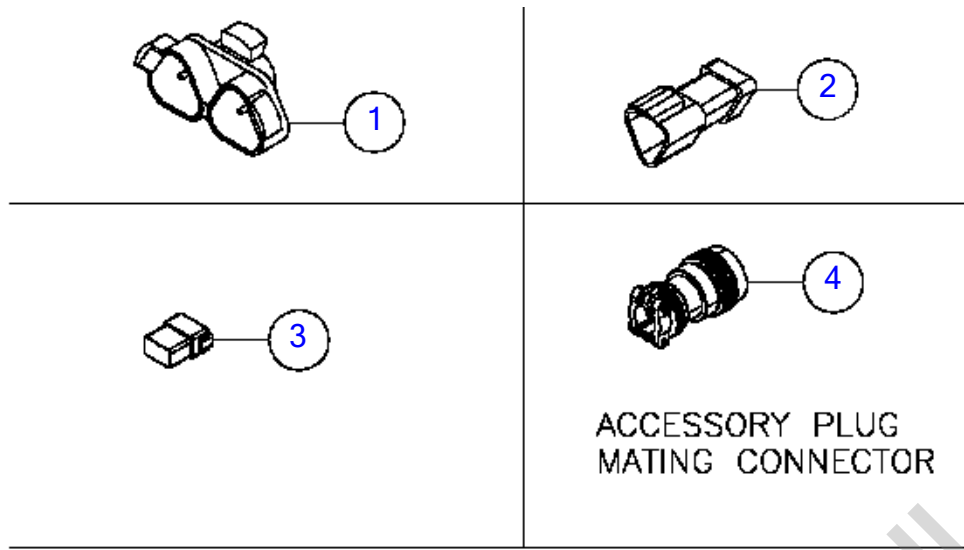
Fig 08-33

REF NO.	PART NO.	DESCRIPTION	QTY.	REMARKS
1	1809001	NUT-1/2 SM FLGE TOP LOCK	1	
2	296257576	WASHER-FENDER 1/2-17/32-2-.125-PLN	2	
3	4476006	BOLT-1/2-13X3/4 FLG WHIZ	1	

Provided for Free by Trenchwell.com
Shop Aftermarket Parts

Programming Tools

Fig 08-34



Programming Tools

Fig 08-34

REF NO.	PART NO.	DESCRIPTION	QTY.	REMARKS
1	700000134	3 WAY RECEPTACLE - DT SERIES	1	
2	624867001	ASSEMBLY-3 PIN 120 OHM RESISTOR	1	
3	628710001	PLUG-BUSSING	1	
4	276973001	PLUG - 8 PIN (SHELL SIZE 18)	1	
5	296276088	USB/CAN GATEWAY KIT - PLUS 1 (CG150)	1	Inc Ref 6
6	632908001	ADAPTER CABLE	1	
7	296287410	HARNESS CAN EXTENSION 50'	1	Inc Ref 1&2
8	632688001	HARNESS-CAN MULTI PLUG ADAPTER	1	

Provided for Free by Trenchwell.com
Shop Aftermarket Parts

DEF Warning Light

Fig 08-35

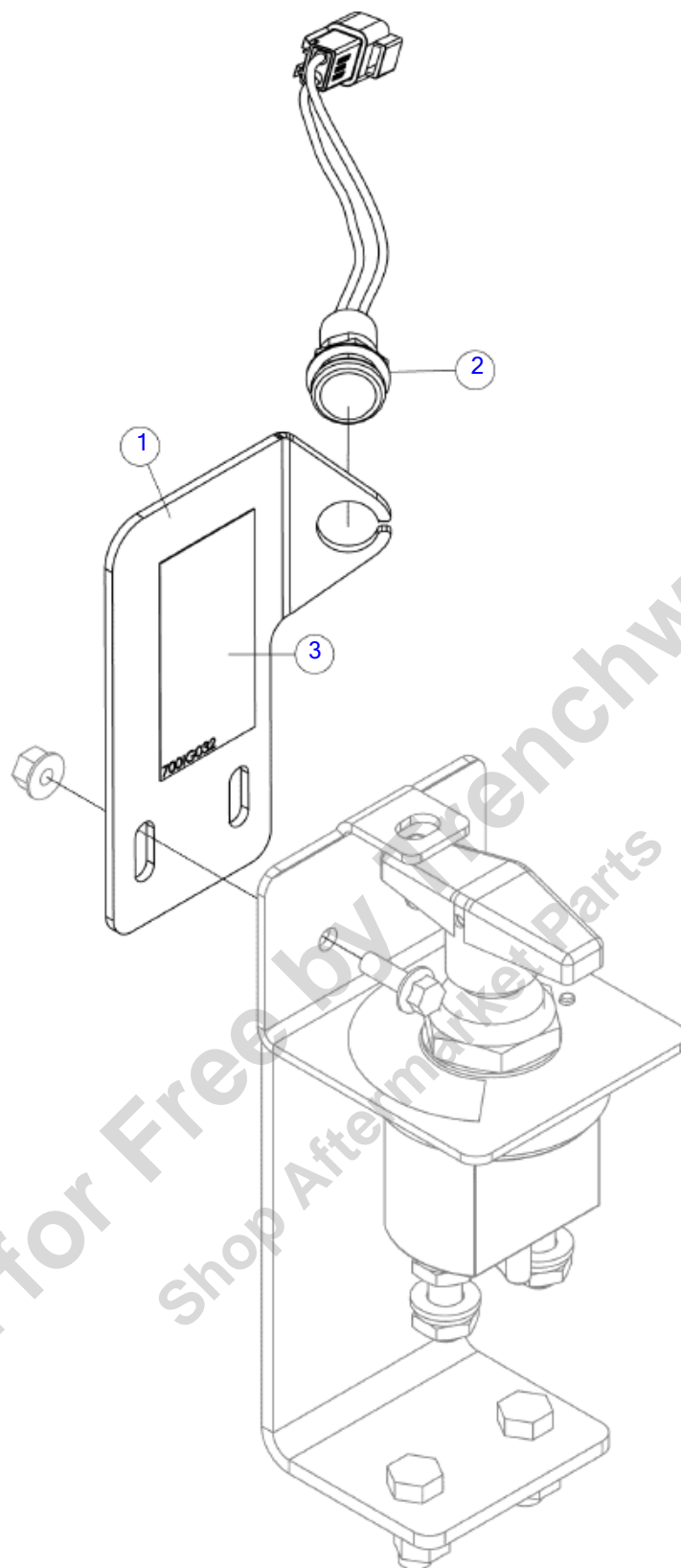


Illustration No.635202351-Not For Ordering

DEF Warning Light

Fig 08-35

REF NO.	PART NO.	DESCRIPTION	QTY.	REMARKS
1	635202352	BRACKET-BATTERY DISCONNECT LED	1	
2	635502679	AMBER LED-24 VOLT W DEUTSCH PLUG	2	
3	700IG032	DECAL-BATTERY DISCONNECT	1	

Provided for Free by Trenchwell.com
Shop Aftermarket Parts

Wireless Full Function Remote Beacon

Fig 08-36

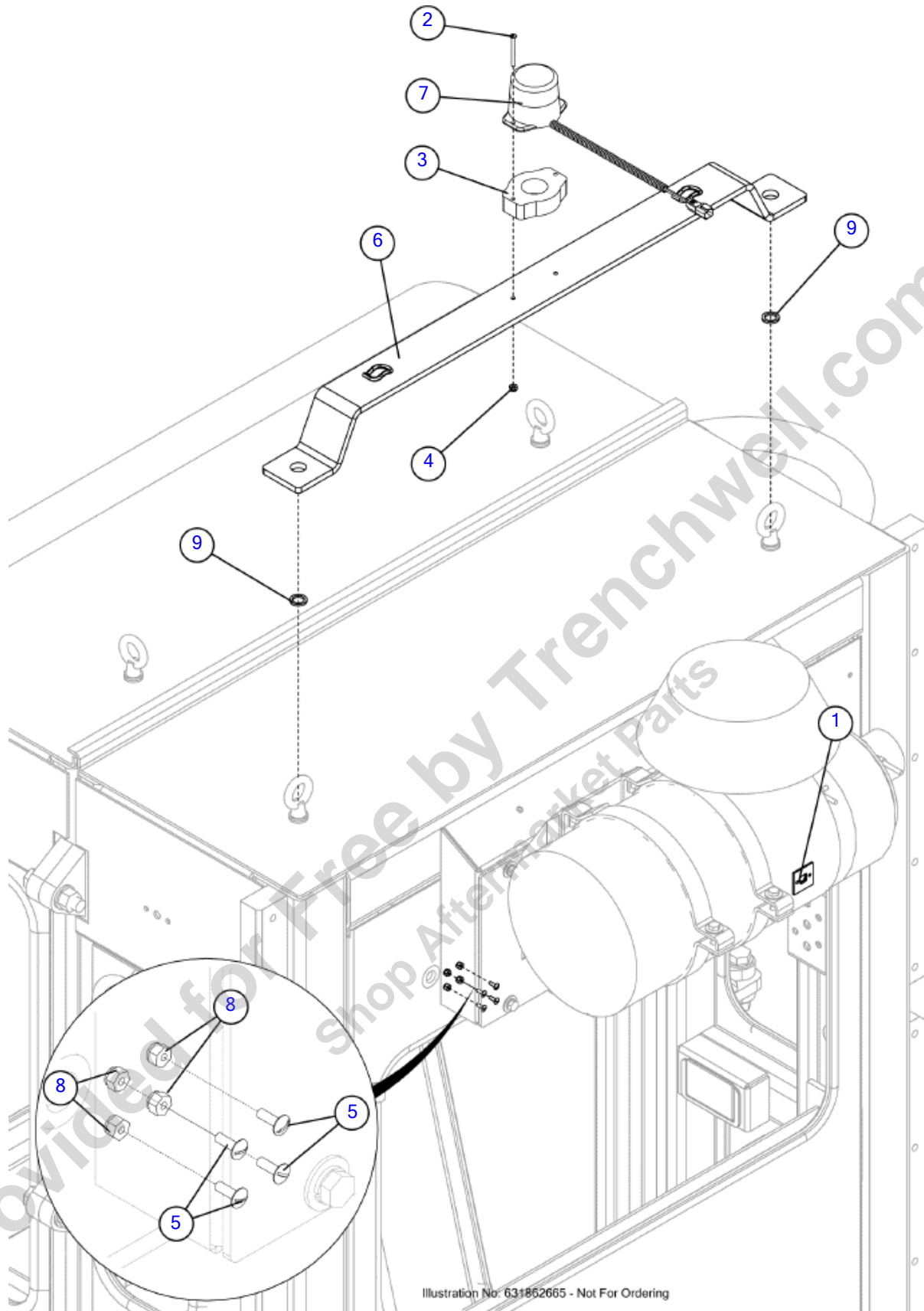


Illustration No: 631862665 - Not For Ordering

Wireless Full Function Remote Beacon

Fig 08-36

REF NO.	PART NO.	DESCRIPTION	QTY.	REMARKS
1	157756001	MOUNTING BASE - CABLE TIE W / ADHESIVE	10	
2	163628314	SCREW-MCH-10-32X2.00-GR2-YZ-PAN-PHILLIPS	2	
3	163749849	SPACER-BEACON LIGHT	1	
4	503214001	NUT-NYLOCK-10-32-GR2-CZ	2	
5	57200001	SCREW-#8-32X1/2 RND.HD.MACH.	4	Harness Bulkhead Mounting
6	631862666	WELD-FFR BEACON MOUNT	1	
7	631868295	LIGHT-BEACON AMBER LED	1	
8	69759001	LOCK NUT-#8-32 NYLON INSERT PL	4	Harness Bulkhead Mounting
9	94448001	WASHER-SEAL	2	

Provided for Free by Trenchwell.com
Shop Aftermarket Parts

Wireless Full Function Remote Control

Fig 08-37

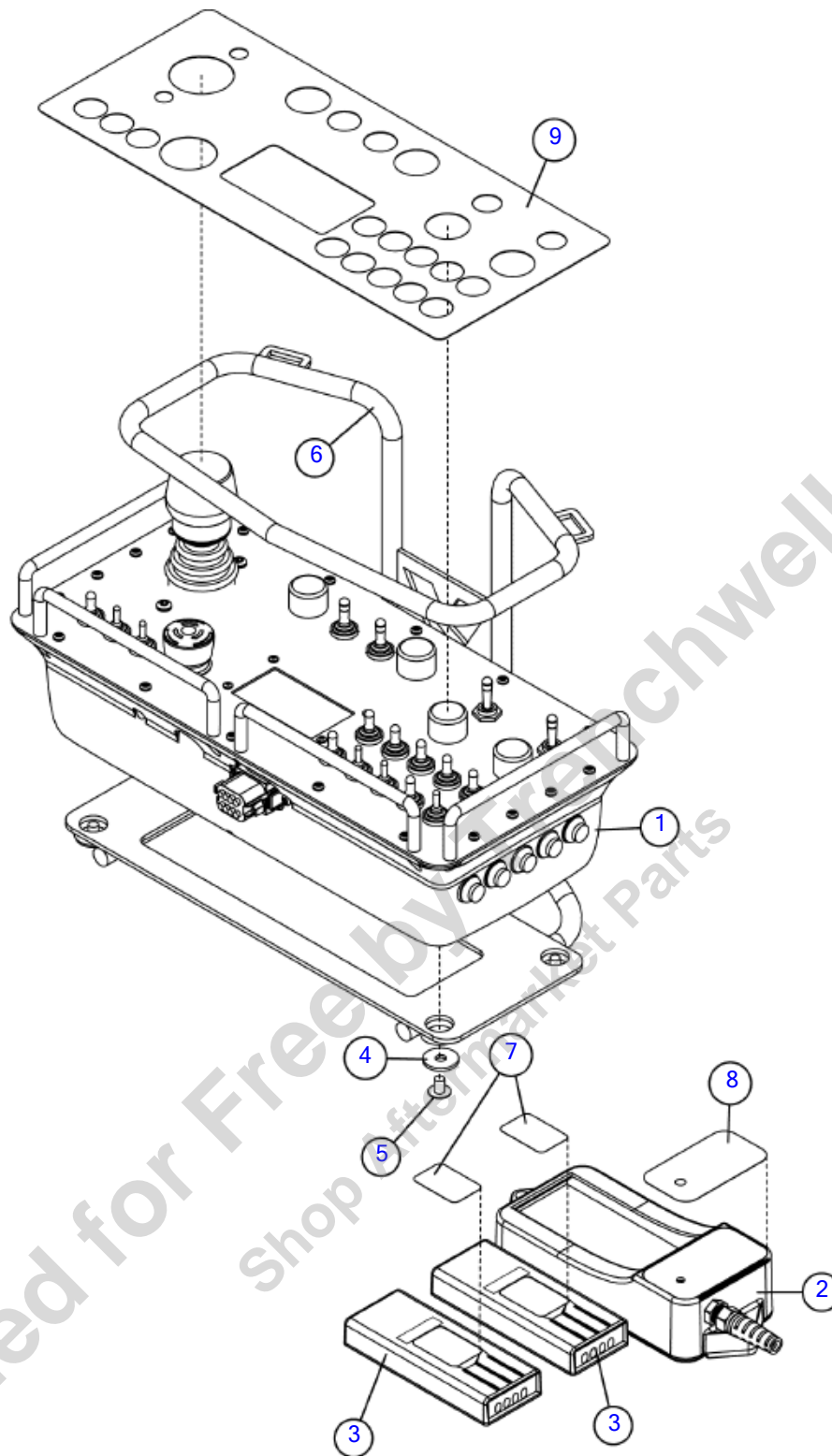


Illustration No.296365435-Not For Ordering

Wireless Full Function Remote Control

Fig 08-37

REF NO.	PART NO.	DESCRIPTION	QTY.	REMARKS
1	296365320	ASM - R725J TRACKING REMOTE	1	
2	296365763	ASM - LI-ION BATTERY CHARGER	1	
3	296365850	ASM - LI-ION BATTERY, 7.4V CANNOT AIR FREIGHT	2	
4	296365901	WASHER, SS 1/4" SCREW SIZE, 7/8" OD, .05"-.08" THI	4	
5	296365902	SCREW, SS FLANGED 1/4"-20 THREAD, 3/8" LENGTH	4	
6	631862137	HARNESS SYSTEM, ALUM FRAMEWORK COMPLETE	1	
7	7000G228	DECAL - LI-ION BATTERY PACK	2	
8	7000G389	DECAL - LI-ION BATTERY CHARGER	1	
9	700IG101	DECAL - R7XX	1	

Provided for Free by Trenchwell.com
Shop Aftermarket Parts

Wireless Full Function Remote Base

Fig 08-38

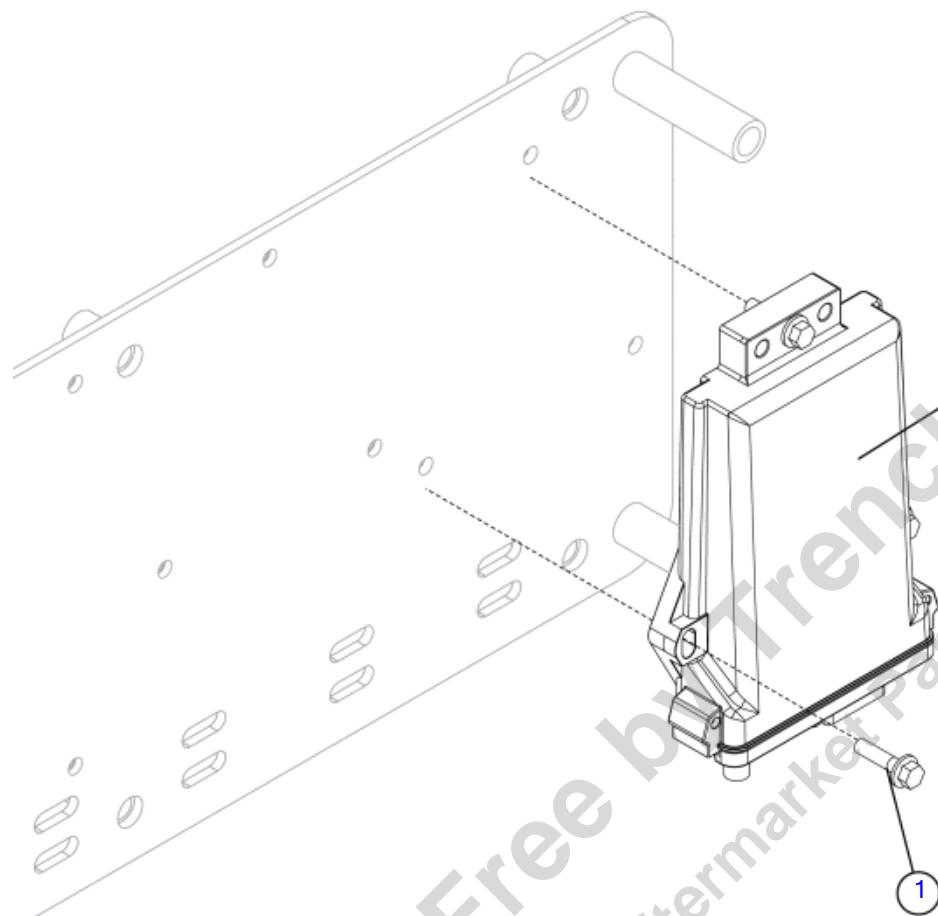


Illustration No: 631862657 - Not For Ordering

Wireless Full Function Remote Base

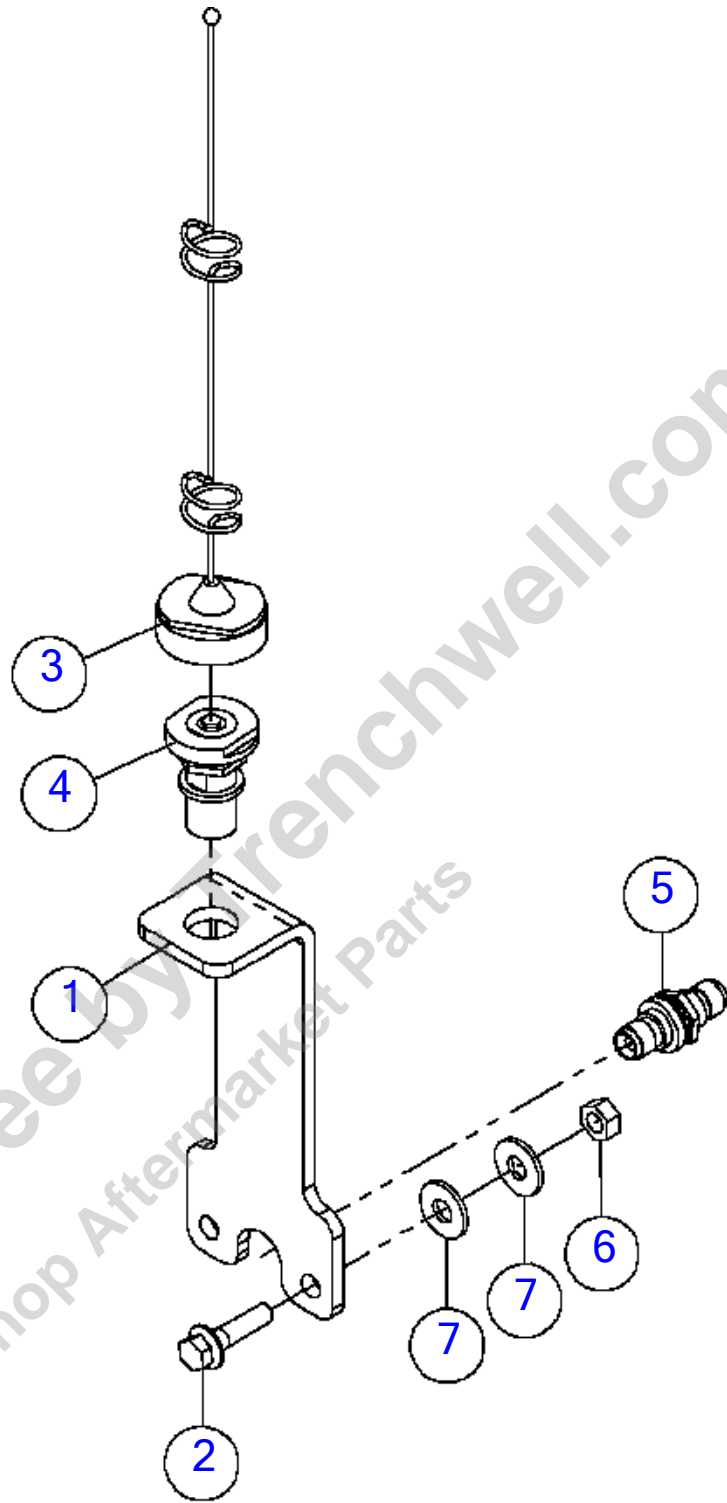
Fig 08-38

REF NO.	PART NO.	DESCRIPTION	QTY.	REMARKS
1	296300754	SCREW HFS .25 20X1.00 GR8	3	
2	296365817	ASM - UNIVERSAL TRANSCEIVER BASE B425-B LP	1	

Provided for Free by Trenchwell.com
Shop Aftermarket Parts

Wireless Full Function Remote-Antenna

Fig 08-39



Wireless Full Function Remote-Antenna

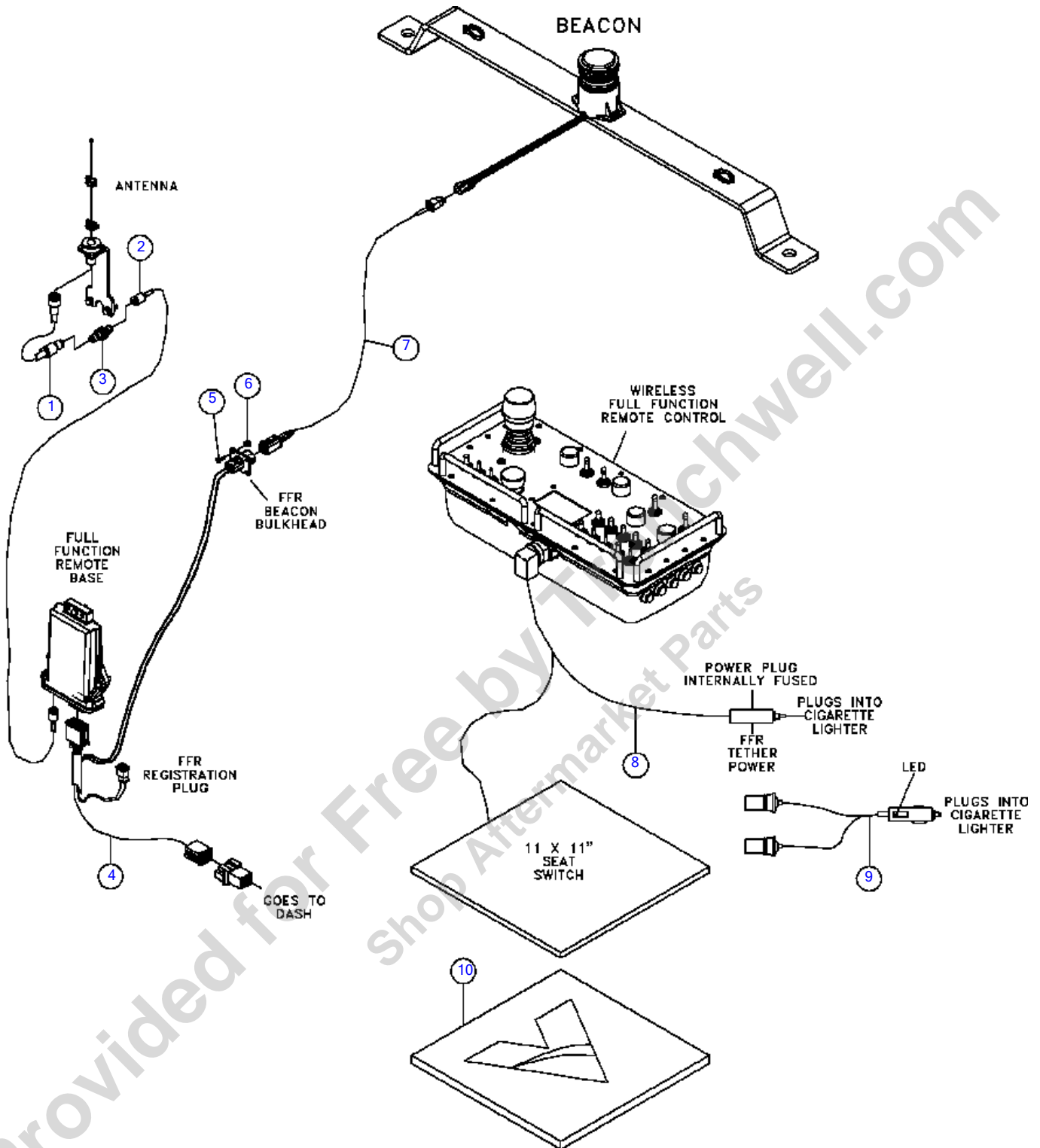
Fig 08-39

REF NO.	PART NO.	DESCRIPTION	QTY.	REMARKS
1	633022001	BRACKET-ANTENNA	1	
2	4473006	BOLT-1/4-20X3/4 FLG WHIZ	2	
3	296272382	ANTENNA - 2400MHZ 1/4 WAVE	1	
4	180008689	MOUNT-ANTENNA THICK BASE	1	
5	296250301	CONNECTOR BULK HEAD	1	
6	405001	NUT-1/4 NC FLG WHIZ LOCK	2	
7	485003	WASHER-1/4 FLAT	4	

Provided for Free by Trenchwell.com
Shop Aftermarket Parts

Wireless Full Remote Remote Control-Harness

Fig 08-40



Wireless Full Remote Remote Control-Harness

Fig 08-40

REF NO.	PART NO.	DESCRIPTION	QTY.	REMARKS
1	633021001	CABLE-RF 12" RG8 TNC MALE TO N	1	
2	296333760	CABLE - 10' RG58 TNC MALE TO TNC MALE	1	
3	296250301	CONNECTOR BULK HEAD	1	
4	631862335	HARNESS - FFR IN CAB	1	
5	57200001	SCREW-#8-32X1/2 RND.HD.MACH.	4	
6	69759001	LOCK NUT-#8-32 NYLON INSERT PL	4	
7	631862336	HARNESS - FFR BEACON	1	
8	631862659	HARNESS - FFR OPERATOR PRESENCE	1	
9	631862747	CORD STR W/LED 10A FUSE SKT&COVR	1	
10	631862799	COVER-FFR SEAT SWITCH	1	

Provided for Free by Trenchwell.com
Shop Aftermarket Parts

Wireless Full function Remote Carrying Case

Fig 08-41

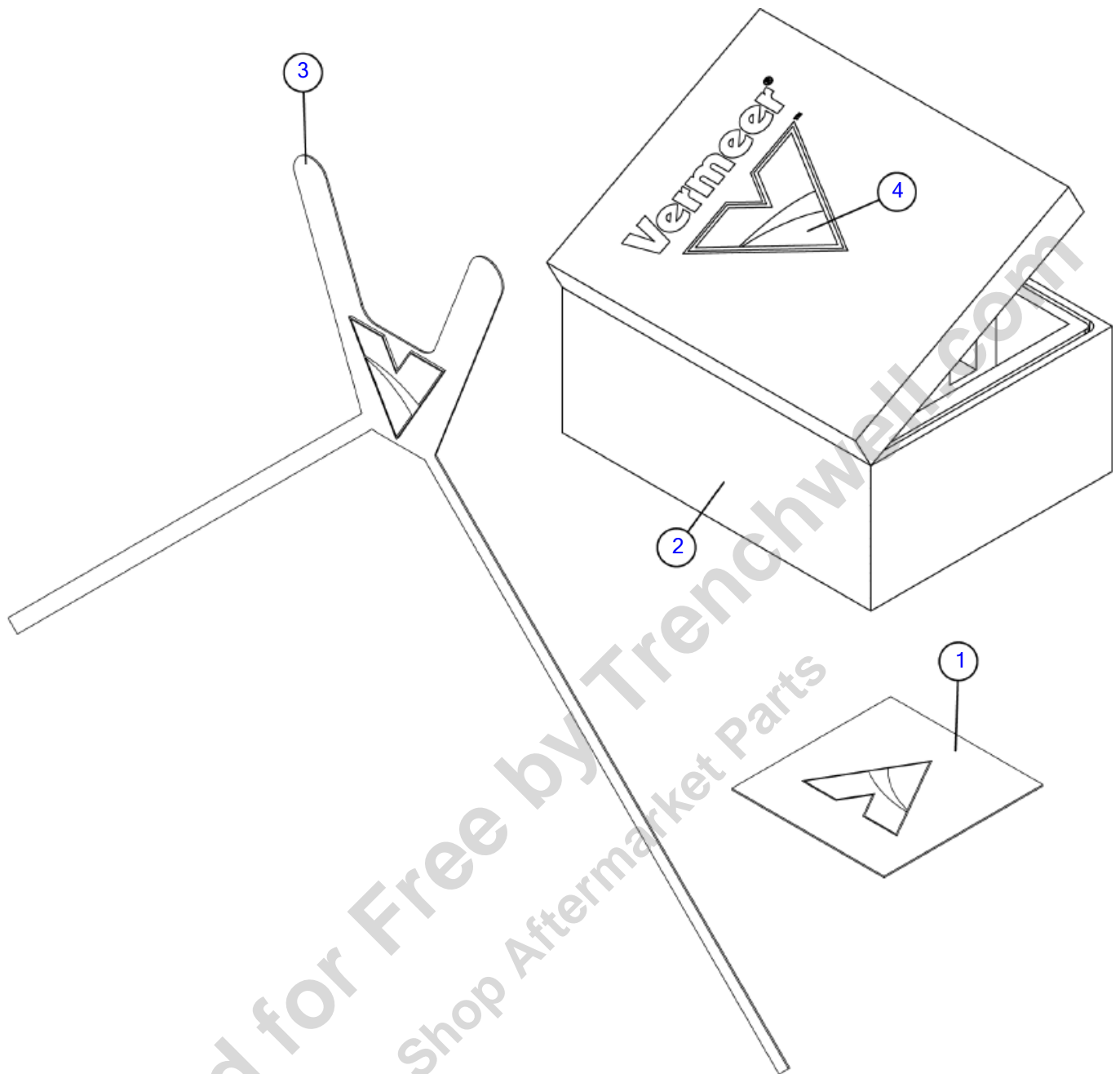


Illustration No.631862751-Not For Ordering

Wireless Full function Remote Carrying Case

Fig 08-41

REF NO.	PART NO.	DESCRIPTION	QTY.	REMARKS
1	631862799	COVER-FFR SEAT SWITCH	1	
2	631863004	CASE PELICAN CAS 1610 WITH CUSTOM FOAM INSERT	1	
3	631862952	HARNESS - SHOULDER STRAP WITH"V"	1	
4	7000D473	DECAL - 12" COSMETIC V	1	
5	631862659	HARNESS - FFR OPERATOR PRESENCE	1	Not shown
6	631862747	CORD STR W/LED 10A FUSE SKT&COVR	1	Not Shown

Provided for Free by Trenchwell.com
Shop Aftermarket Parts

Wireless Full Function Remote Shipping Assembly

Fig 08-42

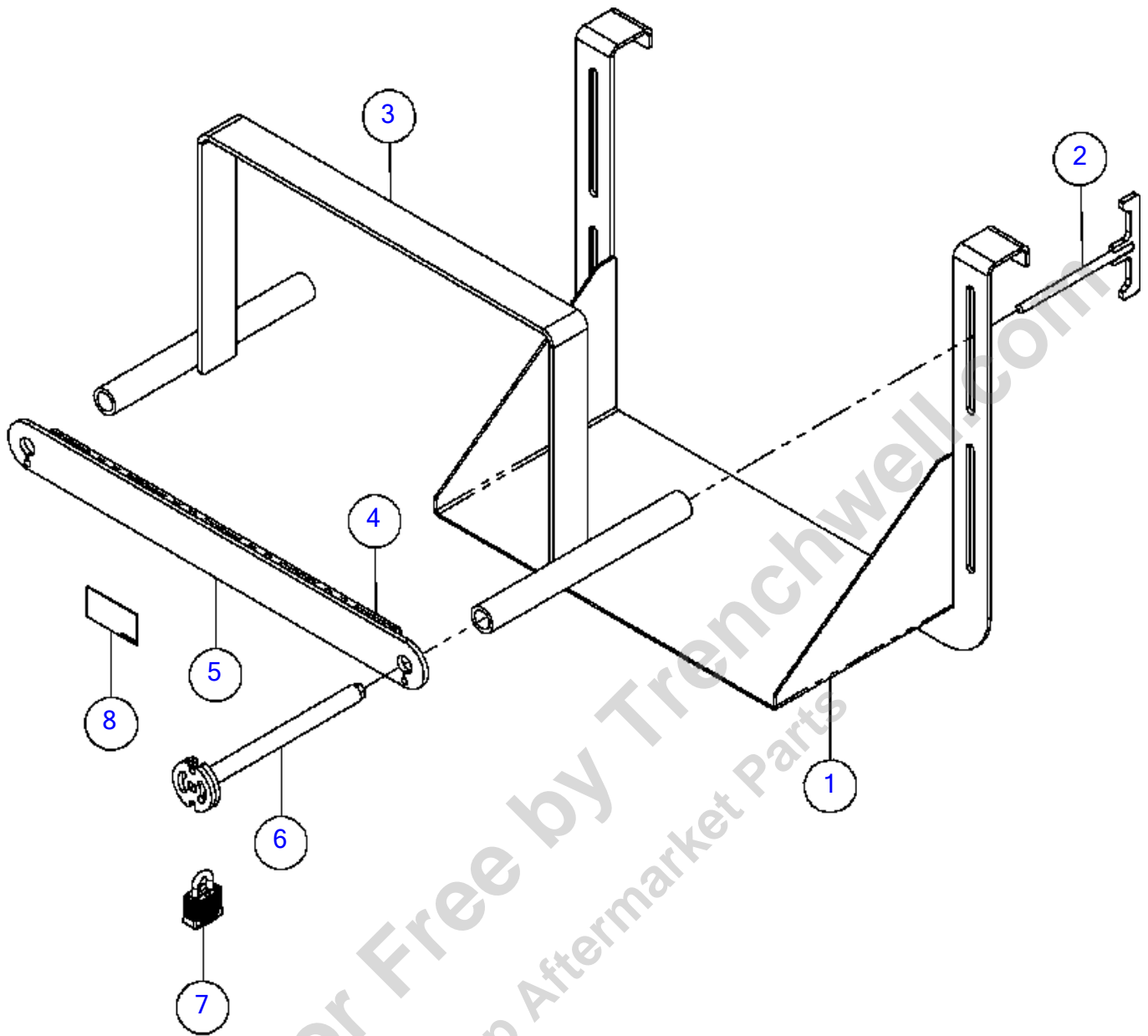


Illustration No: 631863401 - Not For Ordering

Wireless Full Function Remote Shipping Assembly

Fig 08-42

REF NO.	PART NO.	DESCRIPTION	QTY.	REMARKS
1	631863354	WELDMENT-FFR SHELF	1	
2	631863528	WELDMENT-HOOK	2	
3	631863352	STRAP-FFR CASE RETENTION	1	
4	115713001	W/STRIP/SEAL-3/4X9/16 BULB X-135-HT	A/R	P/N Qty Of 1=1 Foot
5	631863346	PLATE-CLAMP	1	
6	631863526	WELDMENT-LOCK	2	
7	94119001	PADLOCK (KEYED-ALIKE LOCK)	2	
8	23261949	DECAL - WARNING SEE MANUAL	1	

Provided for Free by Trenchwell.com
Shop Aftermarket Parts

Telematics (SN 550-576)

Fig 08-43

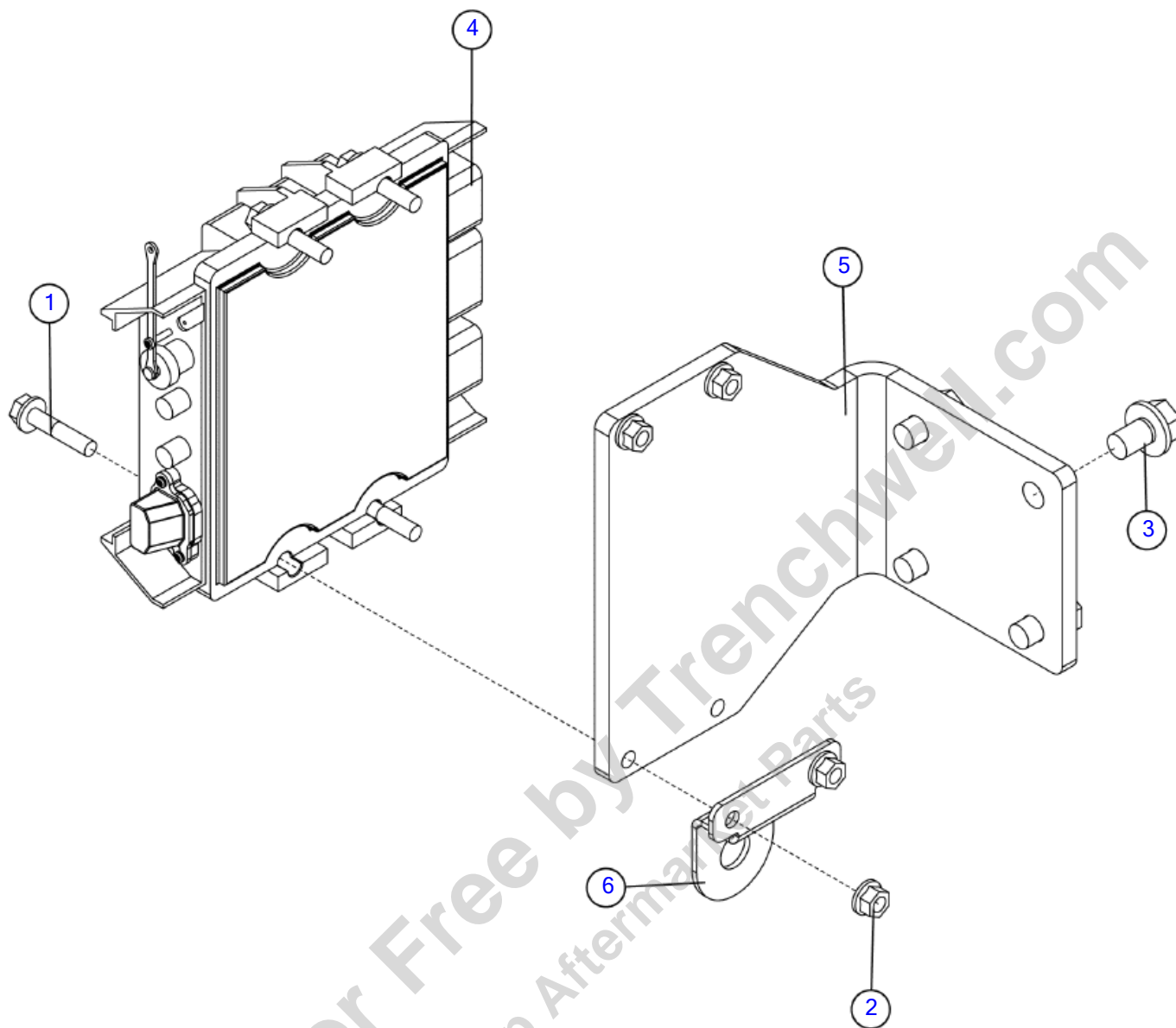


Illustration No: 631867336 - Not For Ordering

Telematics (SN 550-576)

Fig 08-43

REF NO.	PART NO.	DESCRIPTION	QTY.	REMARKS
1	296300765	SCREW FS .31-18X1.50 GR8 YZ	4	
2	296300849	NUT-HEXFLGTL-.31-18-G-YZ	4	
3	296300873	SCREW HFS .50 13X.75 GR8 YZ	4	
4	296365587	ASM - PENTABAND TCU W/ 3FT ANTENNA	1	
5	631866992	PLATE-TCU ADAPTER	1	
6	631866993	BRACKET-TCU ANTENNA	1	

Provided for Free by Trenchwell.com
Shop Aftermarket Parts

Telematics (SN 577-)

Fig 08-43R01

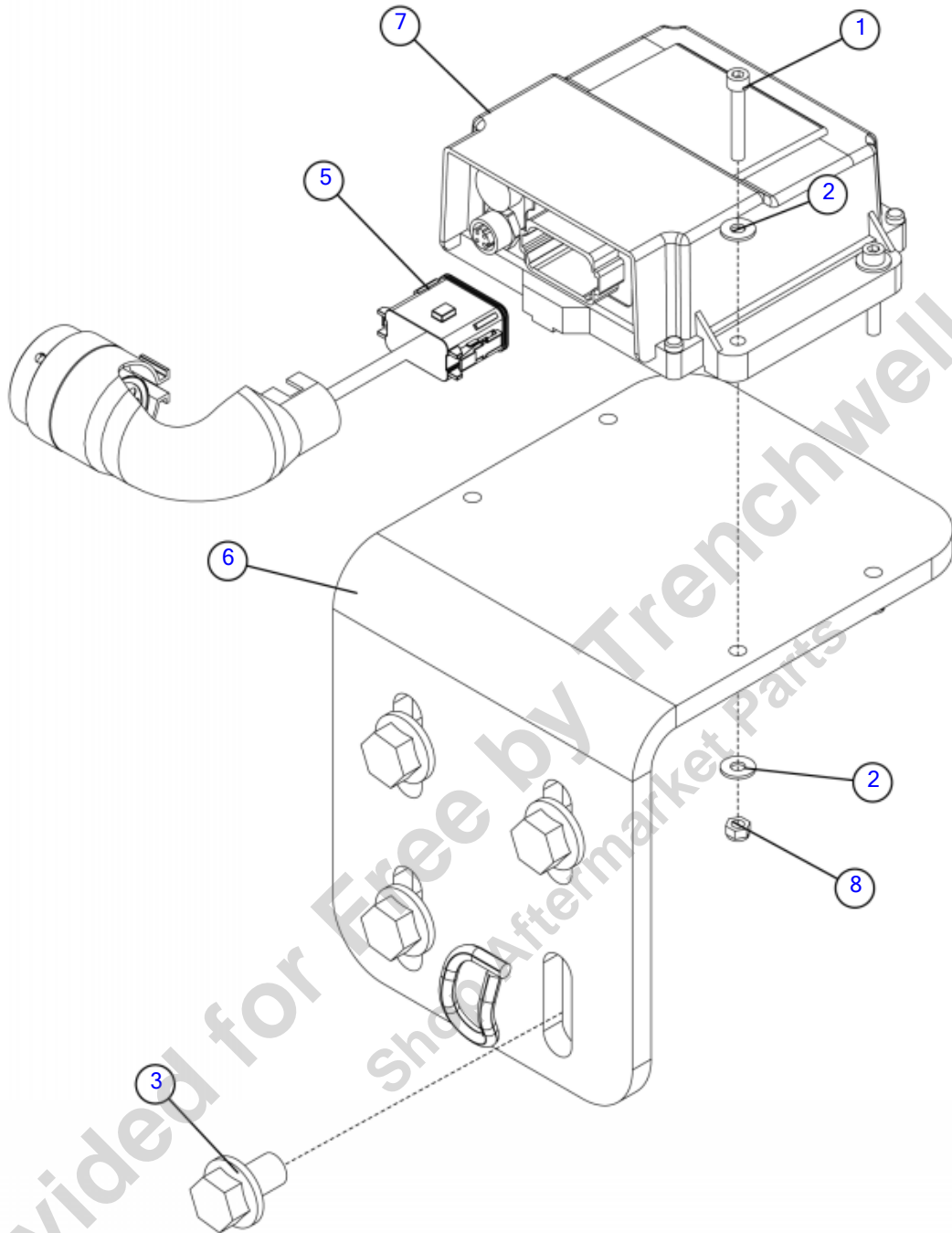


Illustration No. 635215427 - Not For Ordering

Telematics (SN 577-)

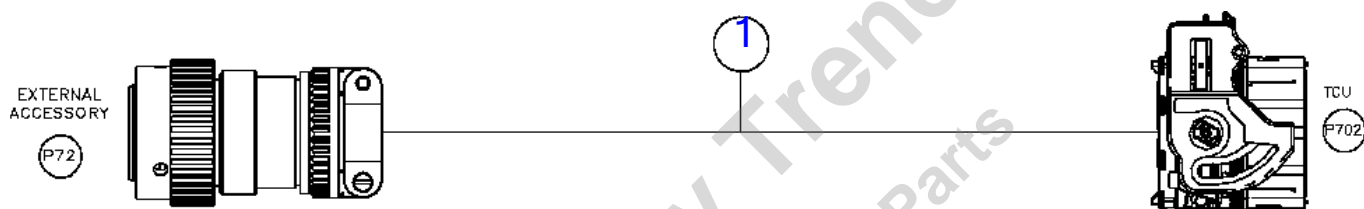
Fig 08-43R01

REF NO.	PART NO.	DESCRIPTION	QTY.	REMARKS
1	125659001	SCREW-10-24 X 1 1/4 SOC HD CAP	4	
2	263699001	WASHER - FENDER #10 X 1/2 CZ	8	
3	296300873	SCREW HFS .50 13X.75 GR8	4	
5	296534183	HARNESS-TCU TRACK TRENCHERS	1	
6	296534185	WELDMENT- TCU MOUNT TRACK	1	
7	631868523	CONTROLLER-4G TCU	1	
8	99042001	NUT-NYLOCK-#10-24-GR2-CZ	4	

Provided for Free by Trenchwell.com
Shop Aftermarket Parts

TCU Adapter Harness (SN 550-576)

Fig 08-44



Provided for Free by Trenchwell.com
Shop Aftermarket Parts

TCU Adapter Harness (SN 550-576)

Fig 08-44

REF NO.	PART NO.	DESCRIPTION	QTY.	REMARKS
1	631866994	HARNESS-TCU ADAPTER	1	

Provided for Free by Trenchwell.com
Shop Aftermarket Parts

TCU Adapter Harness (SN 577-)

Fig 08-44R01

Figure Removed

Provided for Free by Trenchwell.com
Shop Aftermarket Parts

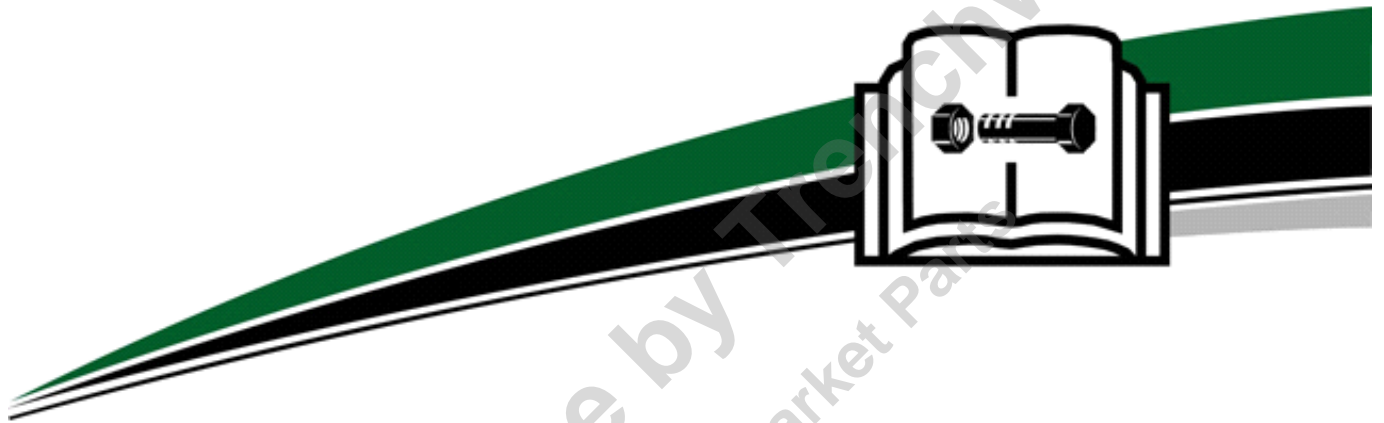
TCU Adapter Harness (SN 577-)

Fig 08-44R01

REF NO.	PART NO.	DESCRIPTION	QTY.	REMARKS
		Figure Removed See Figure 8-43R01	A/R	

Provided for Free by Trenchwell.com
Shop Aftermarket Parts

Cab



Cab

Seat	Fig	09-01
Cab Mount / Slide	Fig	09-02
Cab Mechanical Bar Stop Latch	Fig	09-03
Step	Fig	09-04
Cab-Folding	Fig	09-05
Cab-Front Half	Fig	09-06
Cab - ROPS	Fig	09-06X01
Cab-Rear Half	Fig	09-07
Breakdown-Cab Door	Fig	09-07T01
Wiper Motor	Fig	09-08
Overhead Console	Fig	09-09
Breakdown-Heater \ AC Unit	Fig	09-09T01
Air Cleaner / Blower (SN 550-569)	Fig	09-10
Breakdown-Cab Air Cleaner (SN 550-569)	Fig	09-10T01
Air Cleaner / Blower (SN 570-)	Fig	09-10R01
Breakdown-Cab Air Cleaner (SN 570-)	Fig	09-10T01R01
Radio And Power Outlet	Fig	09-11
Air Conditioning Condenser	Fig	09-12
Reciever / Dryer	Fig	09-13
Compressor / Air Conditioner-Tier 3	Fig	09-14
Tier 4 Final AC / Compressor	Fig	09-15
Hose diagram-Tier 3 AC Heater	Fig	09-16
Hose Diagram-Tier 4 Final A/C Heater	Fig	09-17

Provided for Free by Trenchwell.com
Shop Aftermarket Parts

Seat
Fig 09-01

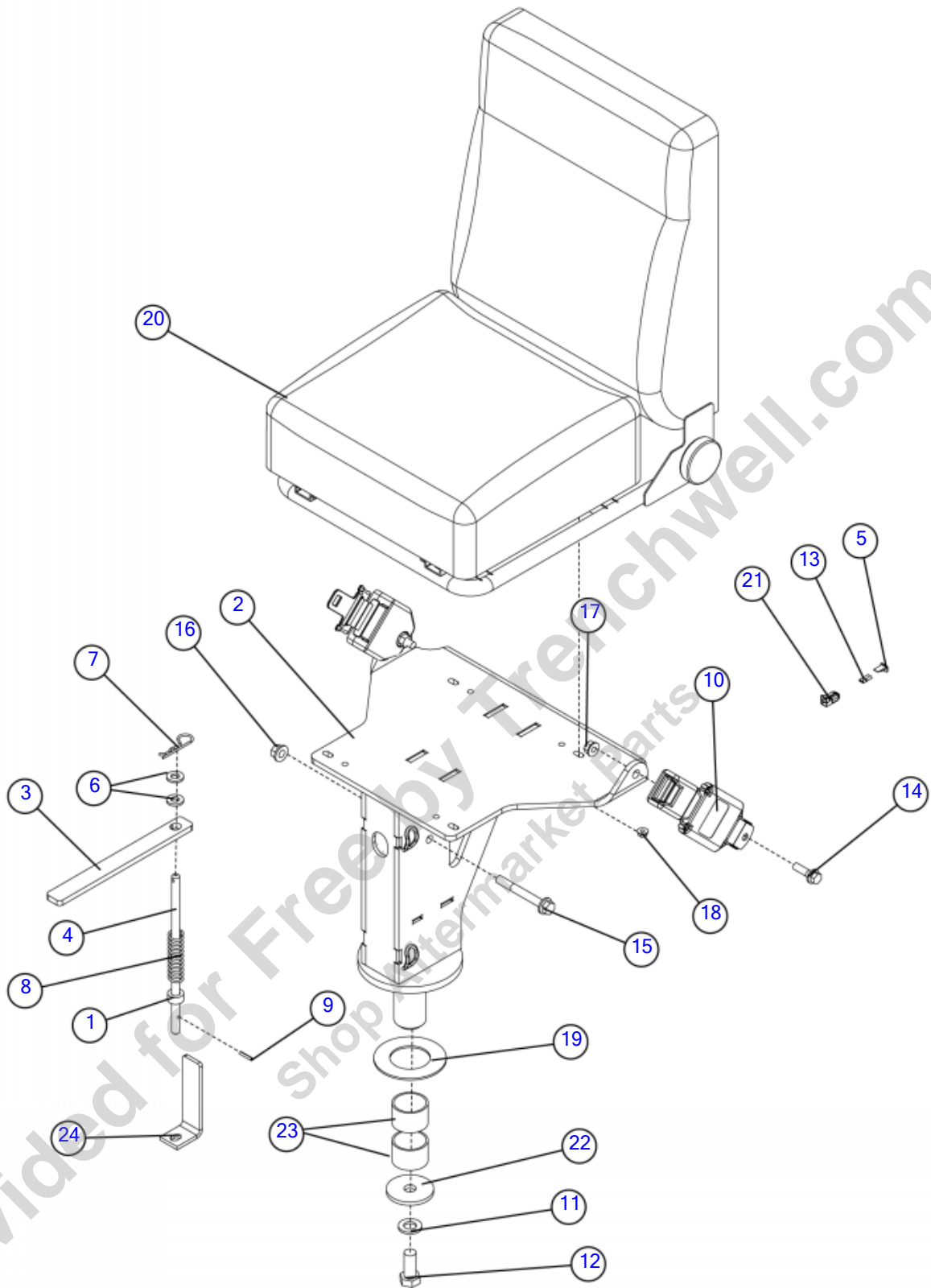


Illustration No. 635502184 - Not For Ordering

Seat
Fig 09-01

REF NO.	PART NO.	DESCRIPTION	QTY.	REMARKS
1	1081013	TUBE - 1" ODX 9/16" ID - 1/2"	1	
2	117244001	MOUNT - SEAT	1	
3	117284001	BAR -RELEASE	1	
4	117285001	PIN - RELEASE	1	
5	125285001	2 CONTACT PLUG - WEDGE LOCK	1	
6	127362001	WASHER-1/2 HARD.FLAT	2	
7	1793005	SPLIT PIN	1	
8	1803015	SPRING - COMP. #39 3 1/2" OA	1	
9	1978011	PIN ROLL 3/16 X 1 ZINC	1	
10	203254001	SEAT BELT - 2in F08015	1	
11	235717001	WASHER - 3/4" HARDENED FLAT	1	
12	243905001	SCREW HCS .75 10X1.75 GR8	1	
13	276982001	CONTACT SOCKET - SIZE 12, SOLID	2	
14	296300782	SCREW-HFS-.44-14X1.50-GR8- YZ	2	
15	296300798	SCREW-HFS-.50-13X4.00-GR8-YZ	1	
16	296300851	NUT-HEXFLGTL-.50-13-G	1	
17	296300883	NUT HEXFLGTL .44 14 G YZ	2	
18	510352507	NUT - SMFLGTL - .31- 18 - F	4	
19	57929001	BEARING-THRUST	1	
20	608210001	SEAT-DELUXE BRN.W/REPAIRABLES	1	
21	700000039	2 WAY PLUG - DT SERIES	1	
22	7404001	WASHER-.77 ID X 2.94 OD X .25	1	
23	77151001	BUSHING-COMP-2.00ID X 2.25OD X 1.50L	2	
24	77743001	BAR-SEAT RELEASE	1	

Cab Mount / Slide

Fig 09-02

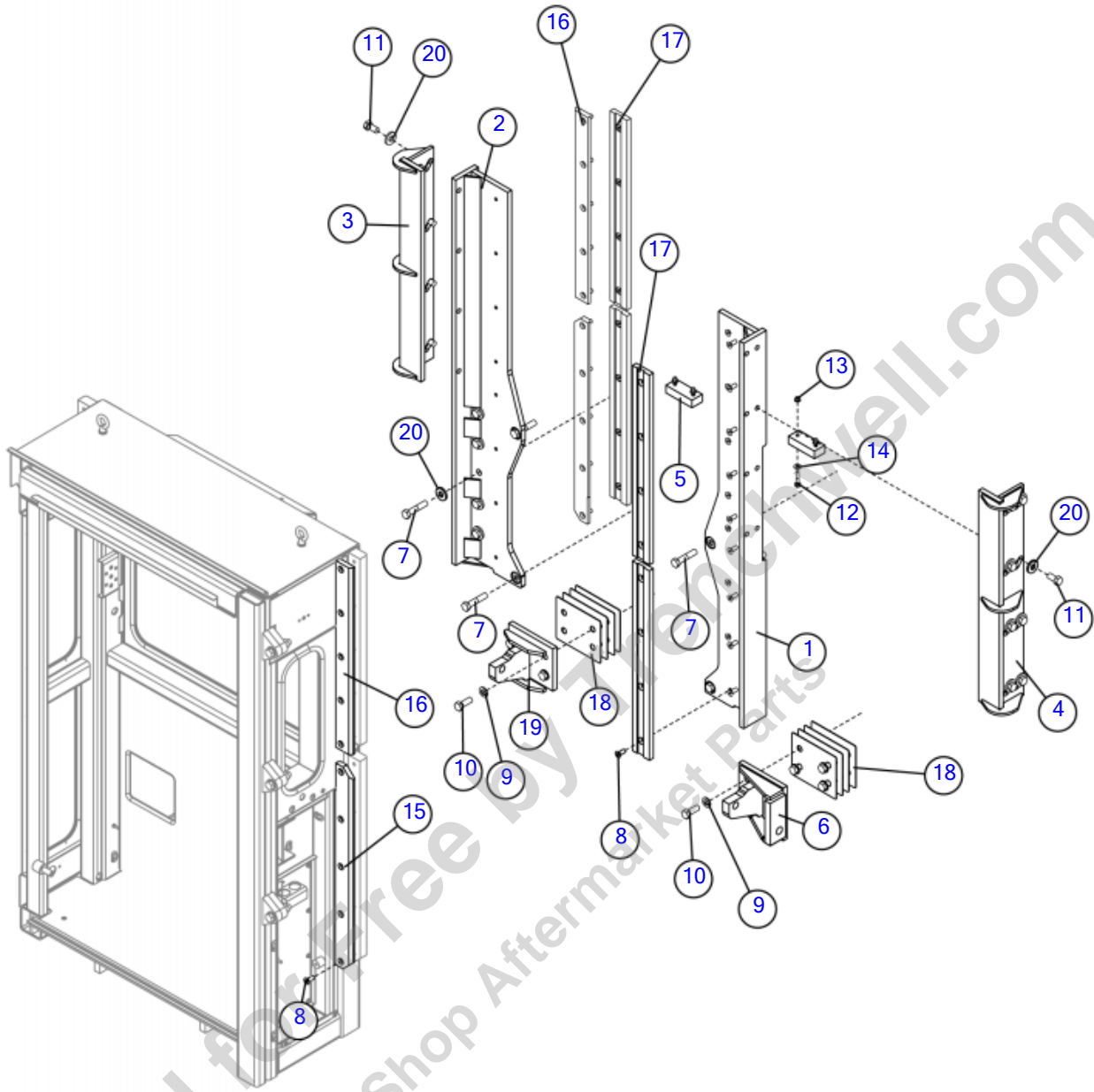


Illustration No.635096001-Not For Ordering

Cab Mount / Slide

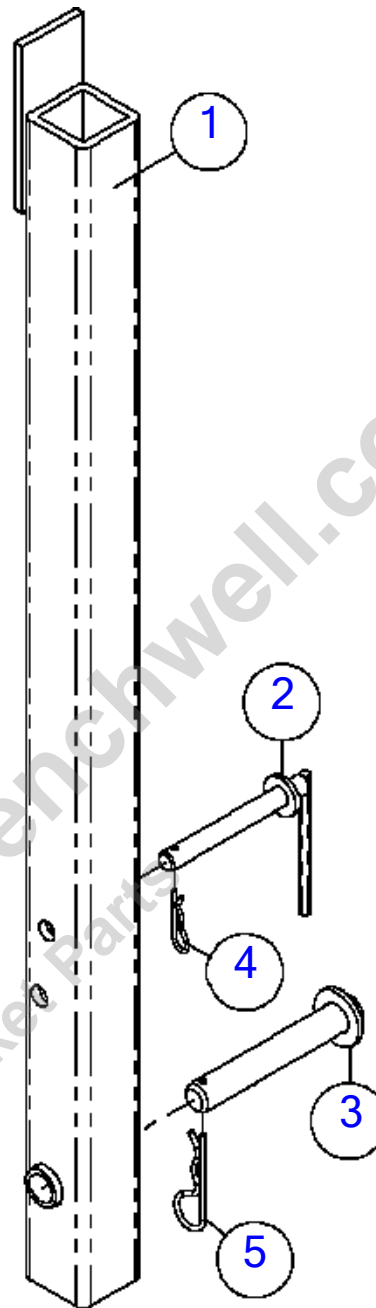
Fig 09-02

REF NO.	PART NO.	DESCRIPTION	QTY.	REMARKS
1	112683001	FRAME - CAB MNT.	1	
2	112684001	FRAME - CAB MNT.	1	
3	117204001	FRAME-PLATE SLIDE	1	
4	117207001	FRAME - PLATE SLIDE	1	
5	121854001	BLOCK-CAB STOP	2	
6	124158001	MOUNT-CAB	1	
7	124620034	BOLT-3/4-10X3 1/2 GR8 HEX	14	
8	15411014	SCREW-1/2-13X1 1/4 FLT SHCS	36	
9	235717001	WASHER - 3/4" HARDENED FLAT	12	
10	235746001	BOLT-3/4-10X2 GR8 HEX	8	
11	238217001	BOLT-3/4-10X1 1/2 GR8 HEX	16	
12	296300776	SCREW HFS .38 16 X 2.00 GR8	4	
13	296300850	NUT-HEXFLGTL-.38-16-G	4	
14	510337607	WASHER-FLATSTD-.38-.44X1.00-.08	4	
15	600047001	SLIDE-PLASTIC	2	
16	600048001	SLIDE PLASTIC	2	
17	600049001	SLIDE-PLATE	4	
18	600851001	SHIM	8	
19	600853001	MOUNT-CAB	1	
20	91093001	WASHER-FLATHARD-.75-.81 X 1.88-.25	26	

Provided for Free by Trenchwell.com
Shop Aftermarket Parts

Cab Mechanical Bar Stop Latch

Fig 09-03



Cab Mechanical Bar Stop Latch

Fig 09-03

REF NO.	PART NO.	DESCRIPTION	QTY.	REMARKS
1	629154001	ARM-PROP (T955/T1055)	1	
2	629150001	PIN-RETAINING	1	
3	625498001	PIN-.75 DIA. X 5.20"	1	
4	1794005	HAIR PIN COTTER - .094 WIRE	1	
5	1793005	HAIR PIN COTTER - .125 WIRE	1	

Provided for Free by Trenchwell.com
Shop Aftermarket Parts

Step
Fig 09-04

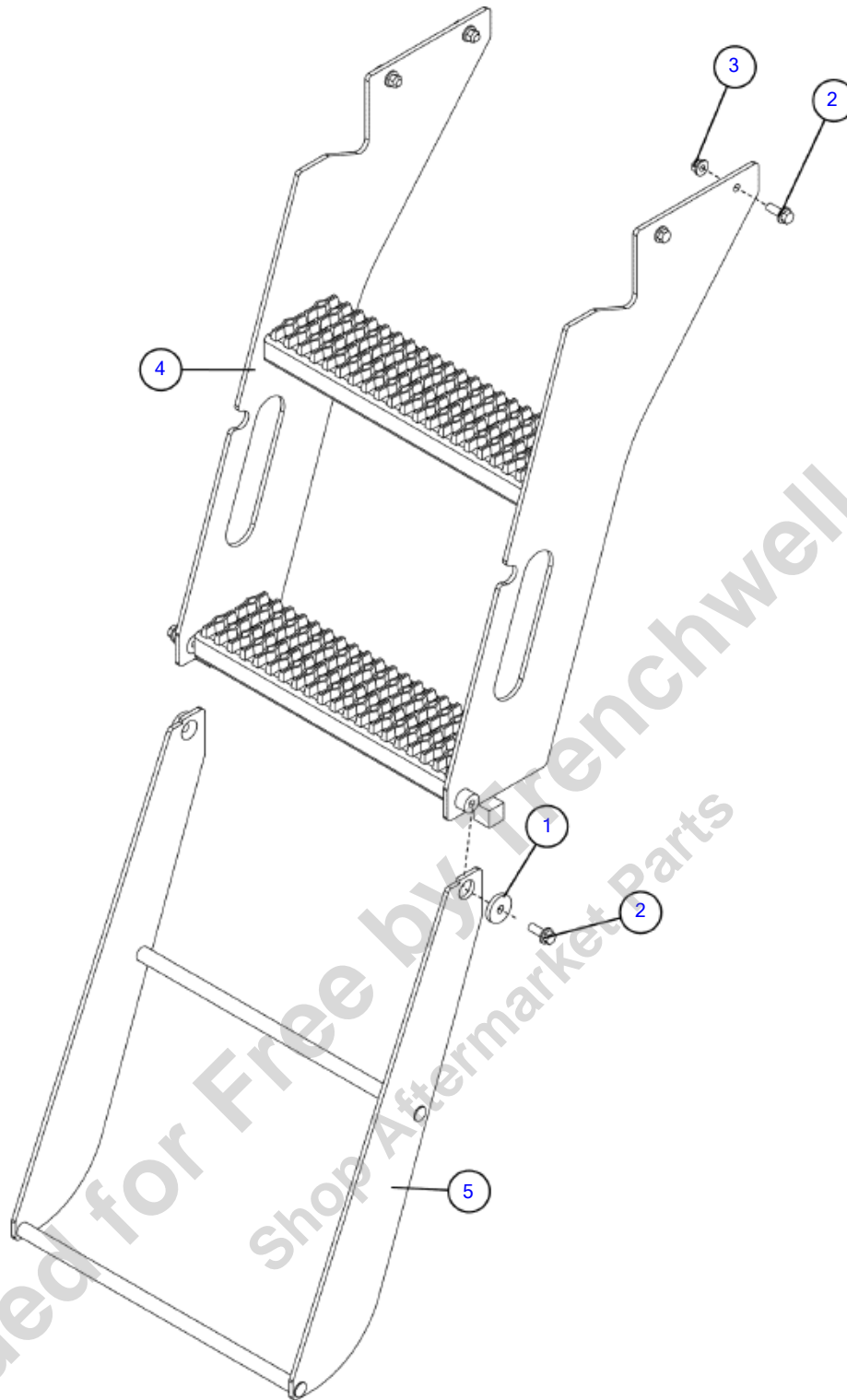


Illustration No. 628428001 - Not For Ordering

Step
Fig 09-04

REF NO.	PART NO.	DESCRIPTION	QTY.	REMARKS
1	27938001	WASHER-.406 ID X 1.50 OD-.25 THICK	2	
2	296300772	SCREW HFS .38-16X1.00 GR8	6	
3	296300850	NUT-HEXFLGTL-.38-16-G	4	
4	600872001	STEP	1	
5	600875001	STEP - EMERGENCY	1	

Provided for Free by Trenchwell.com
Shop Aftermarket Parts

Cab-Folding

Fig 09-05

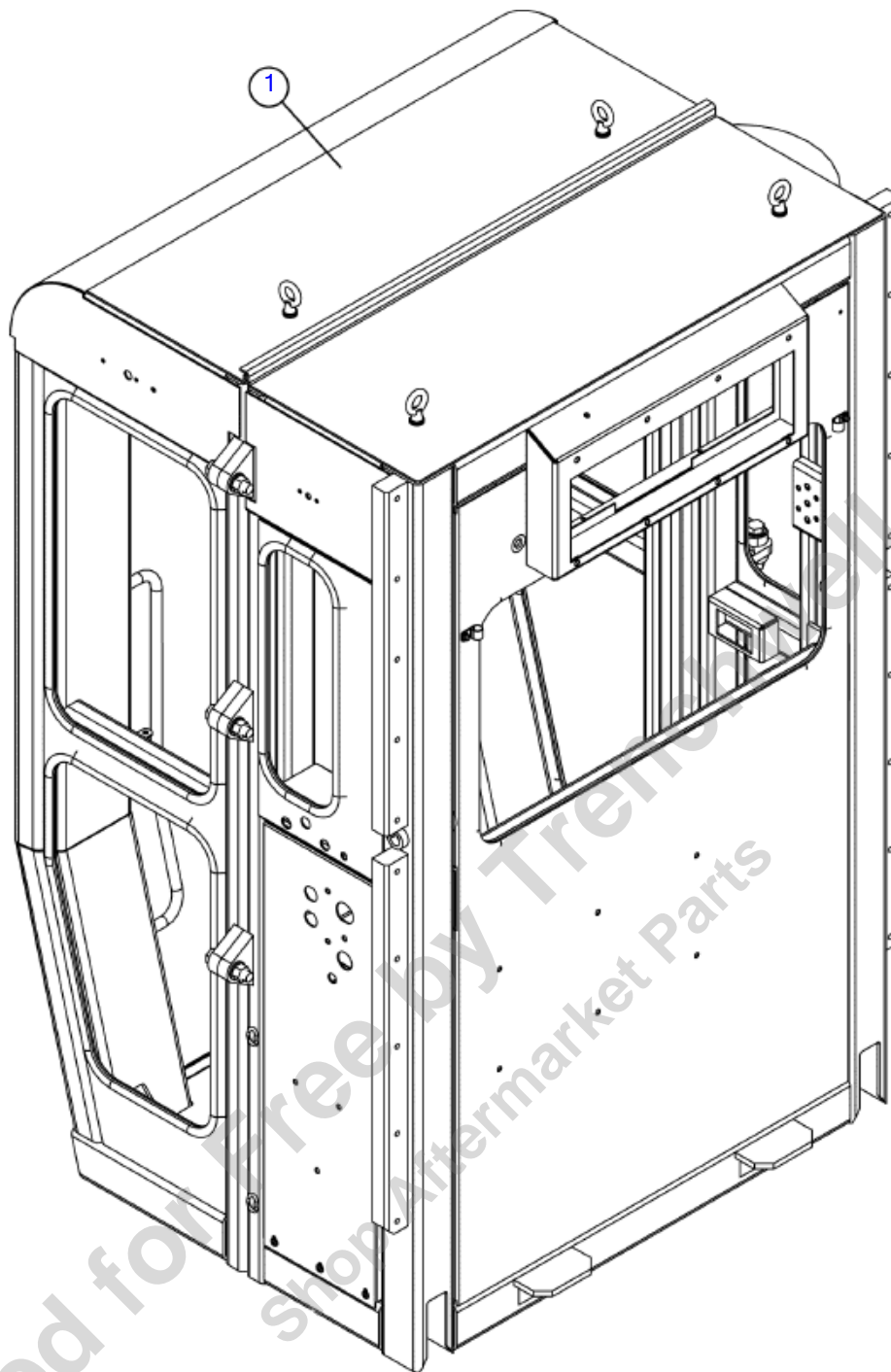


Illustration No.628248001-Not For Ordering

Cab-Folding

Fig 09-05

REF NO.	PART NO.	DESCRIPTION	QTY.	REMARKS
1	627443001	CAB-ROPS (24 VOLT)	1	Breakdown Figures 9-6 & 9-7

Provided for Free by Trenchwell.com
Shop Aftermarket Parts

Cab-Front Half

Fig 09-06

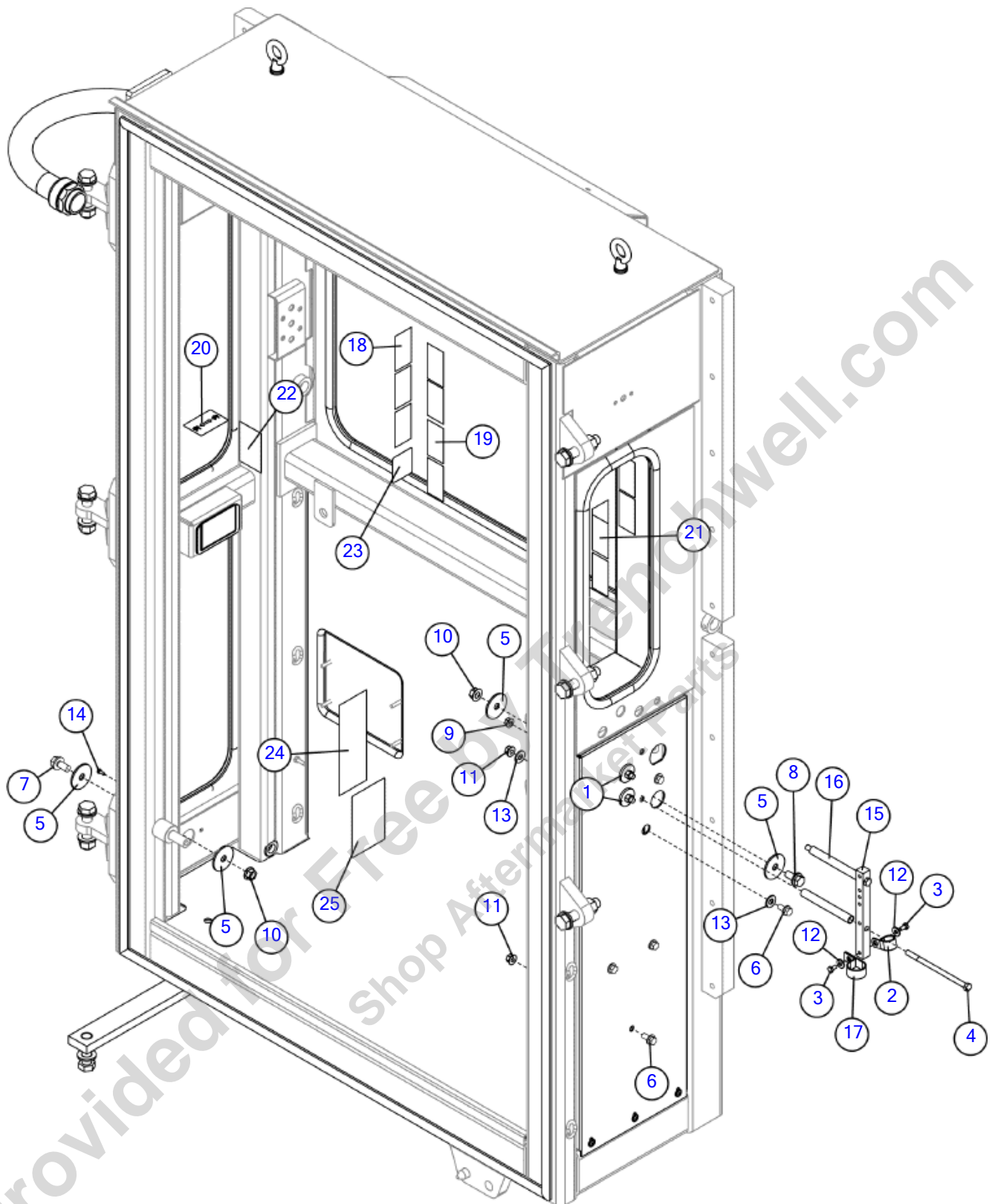


Illustration No.635502563-Not For Ordering

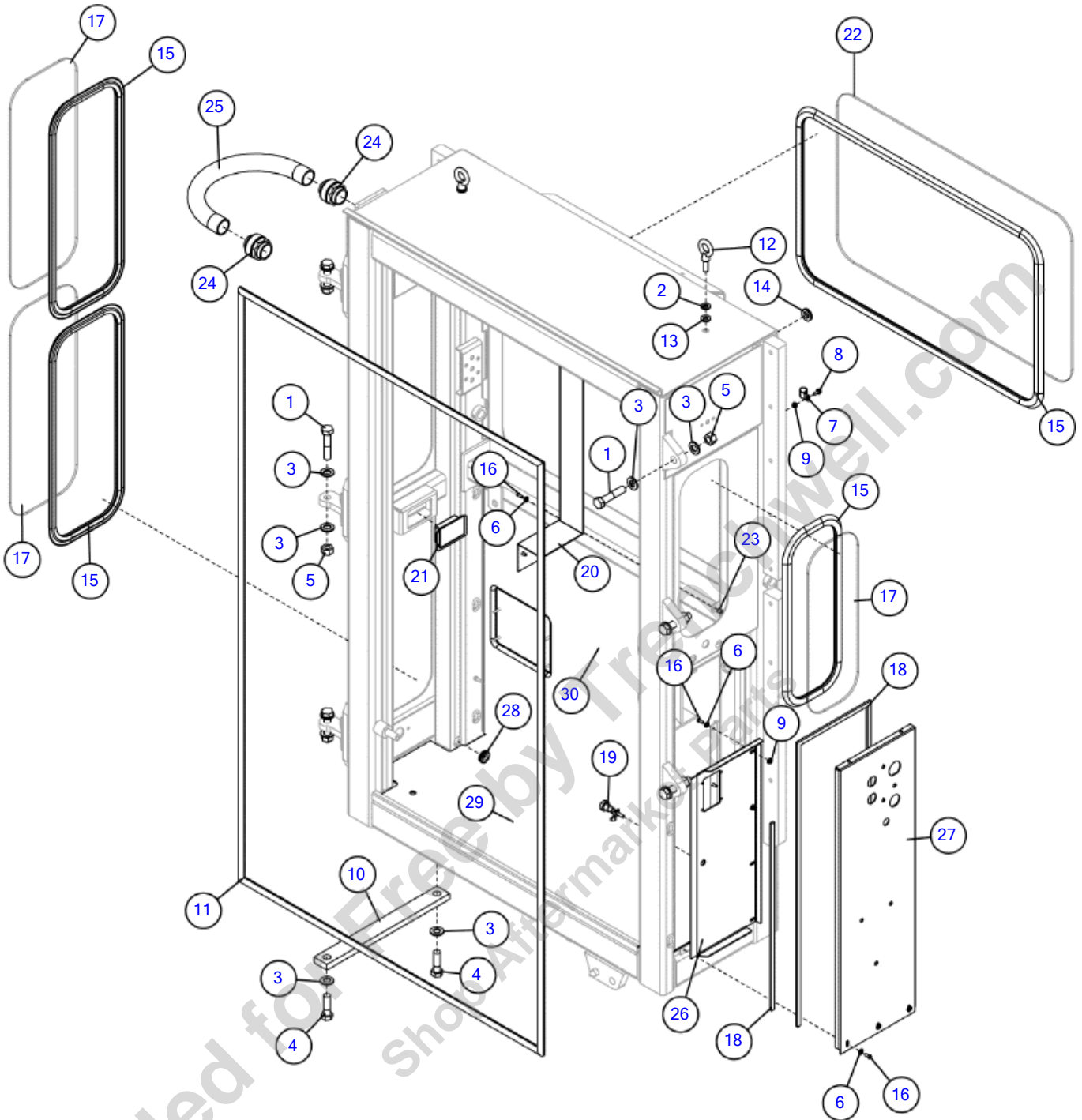
Cab-Front Half

Fig 09-06

REF NO.	PART NO.	DESCRIPTION	QTY.	REMARKS
1	122731001	STUD-BATTERY FEEDER 46211-01	2	
2	180014248	CLAMP-HOSE 7/8"	1	
3	235733001	BOLT-1/4-20X1/2 GR8	2	
4	278010001	BOLT-3/8-16X6 1/2 GR8 HEX	2	
5	296257576	WASHER-FENDER 1/2-17/32-.125-PLN	4	
6	296300771	SCREW-HFS-.38-16X.75GR8	5	
7	296300788	SCREW HFS .50 13 X 1.00 GR8	1	
8	296300826	SCREW-HFS-.5020X1.00-GR8-YZ	1	
9	296300895	NUT, HEXFLG-.38-16-GR8-YZ	2	
10	296300900	NUT-HEX FLG-.50-20-GR8	2	
11	510315411	NUT-HEXFLGL-.38-16-GR2	5	
12	510337603	WASHER FLATSTD .25 .31 X .75 .07	2	
13	510337607	WASHER-FLATSTD-.38-.44X1.00-.08	2	
14	533004	BOLT-10-24X1/2 RND.HD.SLTMACH	1	
15	607746001	BAR - WIRE MOUNT	1	
16	607747001	TUBE - WIRE MOUNT	2	
17	611644001	CLAMP- 1 5/16 HEAVY DUTY	1	
18	7000A166	DECAL-WARNING (AT)	2	
19	7000A255	DECAL-WARNING (AT)	1	
20	7000I634	DECAL-CONTROL CLUTCH	1	
21	700IA255	DECAL-WARNING (AT)	1	
22	700IB900	DECAL-NOTICE DRIVETRAIN DAMAGE	1	
23	700IC478	DECAL - SOUND POWER LEVEL (124)	1	
24	700ID287	DECAL-FUSE BANK	1	
25	700ID288	DECAL-ACCESSORY PLUG	1	

Cab - ROPS

Fig 09-06X01



Cab - ROPS

Fig 09-06X01

REF NO.	PART NO.	DESCRIPTION	QTY.	REMARKS
1	124620034	BOLT-3/4-10X3 1/2 GR8 HEX	6	
2	127362001	WASHER-1/2 HARD.FLAT	2	
3	235717001	WASHER - 3/4" HARDENED FLAT	14	
4	238880001	BOLT-3/4-10X2 1/2 HHCS GR8	2	
5	397001	NUT-3/4-10 GR 8 SLTL	6	
5	(250510001)	NUT 3/4 NC Gr8 SLTL Y/ZINC	6	
6	252251001	WASHER-1/4 SAE FLAT	10	
7	2595007	HOSE CLAMP - 3/4" "P" STYLE	2	
8	296300752	SCREW-HFS-.25-20X.625-GR8	2	
9	510352505	NUT-SMFLGTL-.25-20-G	6	
10	608467001	RETAINER BAR	1	
11	608470001	D-SEAL	1	
12	610248001	EYE BOLT - 1/2	2	
13	610249001	WASHER-RUBBER 1/2	2	
14	610250001	GROMMET	2	
15	610256001	WINDOW RUBBER	4	
16	610265001	SCREW-1/4 X 5/8 TORX	10	
17	611524001	LEXAN - WINDOW FRONT RIGHT	3	
18	613353001	FOAM WEATHERSTRIP	2	
19	613355001	LATCH	1	
20	615829001	GUARD	1	
21	618364001	ASH TRAY	1	
22	625365001	LEXAN-FRONT WINDOW	1	
23	625383001	.25 NUT INSERT	3	
24	628158001	FITTING-WIRE LOOM	2	
25	628159001	CONDUIT-WIRE	1	
26	628162001	DOOR-RELAY	1	
27	628164001	PANEL-FRONT R.H.	1	
28	610250001	GROMMET	1	
28	(628166001)	GROMMET-1063	1	
29	635502008	FLOOR MAT - FRONT HALF	1	
30	635502030	INSULATION - FRONT WALL	1	

Cab-Rear Half
Fig 09-07

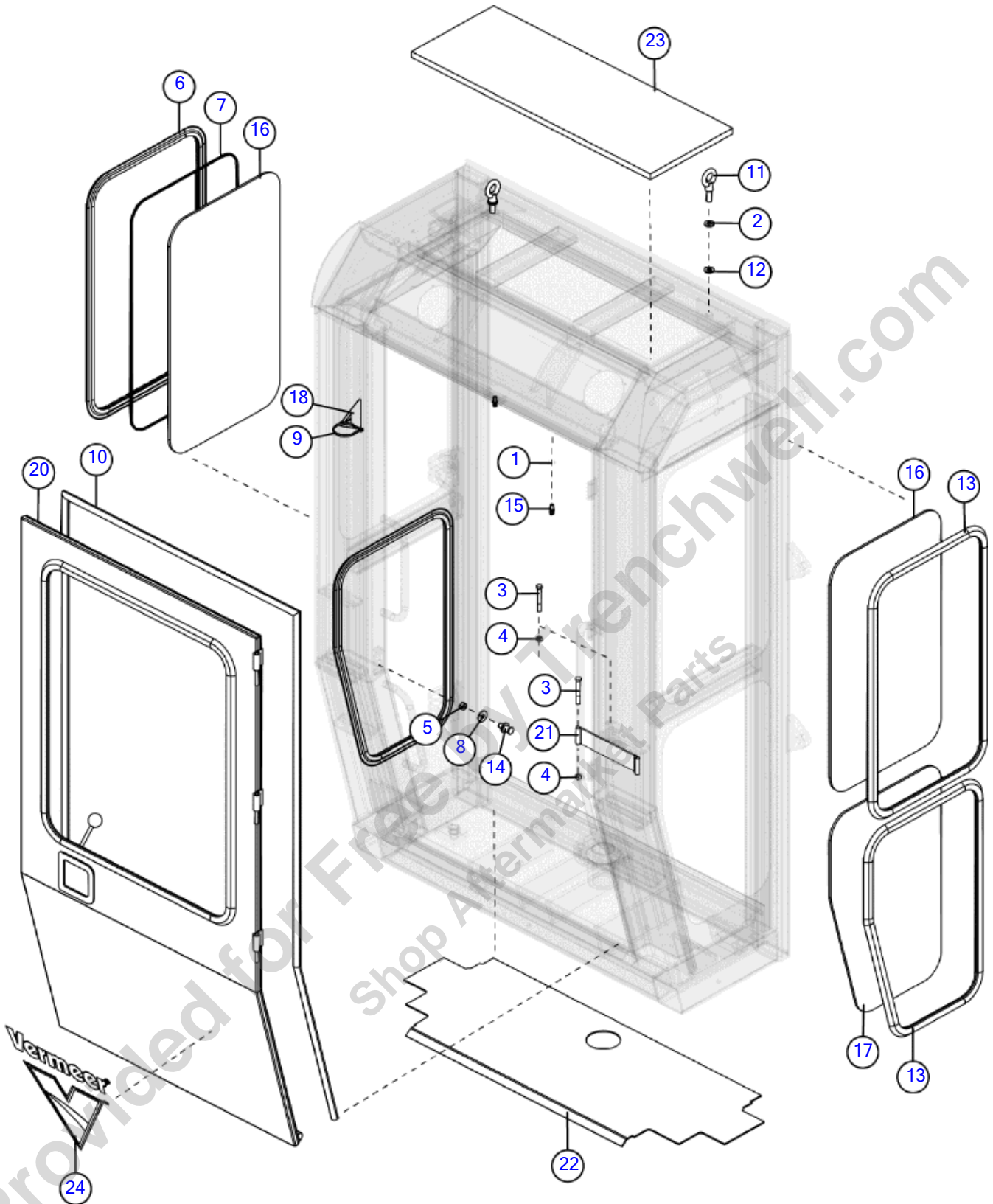


Illustration No. 635502178 Not For Ordering

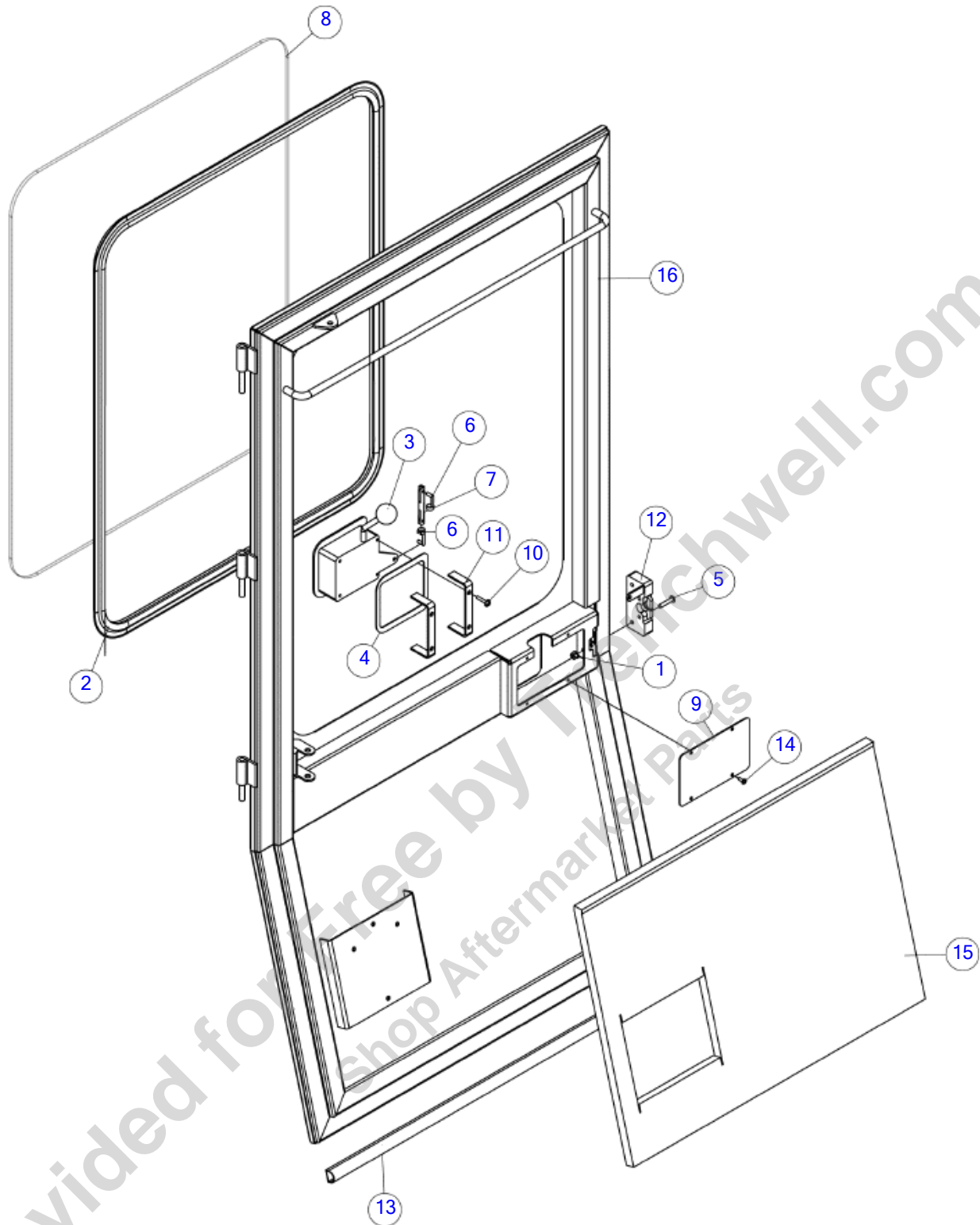
Cab-Rear Half

Fig 09-07

REF NO.	PART NO.	DESCRIPTION	QTY.	REMARKS
1	104212001	NUT-5/16-18 NYLON INSERT LOCK	1	
2	127362001	WASHER-1/2 HARD.FLAT/PLATED	2	
3	235743001	SCREW - HCS - .38 - 16 X 3.00 - GR8-YZ	2	
4	250508001	NUT - 3/8-NC Gr8 TOP LOCK Y/ZINC	2	
5	250509001	NUT-7/16-NC GR8 TOP LOCK Y/ZI	1	
6	296262564	SEAL - EMERGENCY EXIT	1	
7	296262565	SEAL - EMERGENCY EXIT LOCK	1	
8	510337609	WASHER-FLATSTD-.44-.50X1.25-.08-YZ	1	
9	59634001	SINGLE NYTIE - 8"	1	
10	608470001	D-SEAL	1	
11	610248001	EYE BOLT - 1/2	2	
12	610249001	WASHER-RUBBER 1/2	2	
13	610256001	WINDOW RUBBER	3	
14	610262001	BOLT - STRIKER	1	
15	610272001	BALL STUD	2	
16	613350001	LEXAN - WINDOW REAR TOP	2	
17	613351001	LEXAN - WINDOW REAR BOTTOM	2	
18	613376001	TAG - EMERGENCY EXIT	1	
19	627443001	CAB-ROPS (24 VOLT)	1	
20	628168001	CAB-DOOR ASSEMBLY	1	Breakdown Fig.9-7T01
21	628169001	DOOR STRAP	1	
22	121932165	FLOORMAT-REAR	1	
23	635502031	INSULATION-CEILING	1	
24	7000D011	DECAL-"V" (15 X 15)	1	

Breakdown-Cab Door

Fig 09-07T01



Provided for free by TractorParts.com
Shop Aftermarket Parts

Breakdown-Cab Door

Fig 09-07T01

REF NO.	PART NO.	DESCRIPTION	QTY.	REMARKS
1	510313401	NUT-HEXFLGL-.25-20-GR2-YZ	4	
2	610256001	WINDOW RUBBER	A/R	P/N Qty. Of 1 = 1 Foot
3	610275001	PAD HANDLE LH	1	Inc.Ref.4
4	610276001	GASKET-PAD HANDLE	1	
5	610278001	SCREW-1/4	4	
6	610280001	SPRING PIN	2	
7	610281001	LINK LATCH	1	Inc.Ref.6
8	611521001	LEXAN - DOOR	1	
9	612322001	COVER	1	
10	612323001	MSCR-N010 X 1 THSL	4	
11	612324001	BRACKET PADDLE	2	
12	615833001	LATCH - R.H.	1	
13	618397001	WEATHER STRIP-DOOR BOTTOM	1	
14	608477001	SCREW-#10X5/8 SELFTAP	4	
14	(622913001)	SCREW-#10 X .625 SELF TAPPING	4	
15	635502119	INSULATION-DOOR PANEL	1	
16	628168001	CAB-DOOR ASSEMBLY	1	Refer To Fig.9-7
	628708001	KEY	1	Not Shown

Provided for Free by Trenchwall.com
Shop Aftermarket Parts

Wiper Motor

Fig 09-08

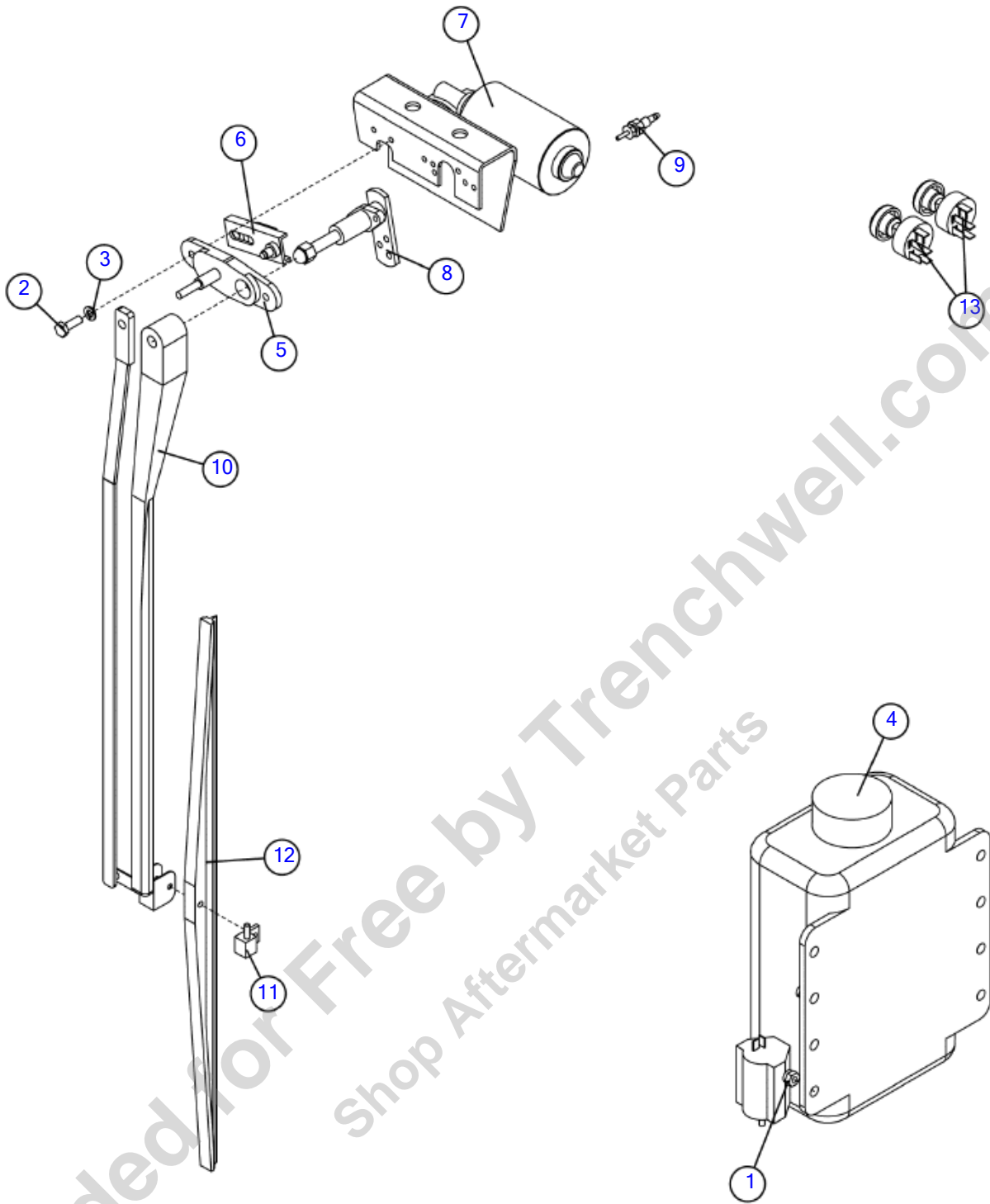


Illustration No.627443001-Not For Ordering

Wiper Motor

Fig 09-08

REF NO.	PART NO.	DESCRIPTION	QTY.	REMARKS
1	103201001	NUT-1/4-20NC NYLON INSERT LOCK	4	
2	13395006	SCREW-HCS-.25-28X.75-GR5-CZ	4	
3	510335703	WASHER-LOCK-.25-.26X.49-.06-YZ	4	
4	608468001	WASHER TANK - 4 QT	1	
5	610258001	PANTO ADAPTER	2	
6	610259001	DRIVE ARM	2	
7	613368001	WIPER MOTOR -24 VOLT	2	
8	613370001	WIPER SHAFT	2	
9	613371001	FITTING-WIPER COWL	2	
10	613372001	WIPER ARM	2	
11	613374001	WET ARM KIT	2	
12	613971001	WIPER BLADE - 22"	2	
13	94105001	SWITCH-12 VOLT 2 SPEED	2	

Provided for Free by Trenchwell.com
Shop Aftermarket Parts

Overhead Console

Fig 09-09

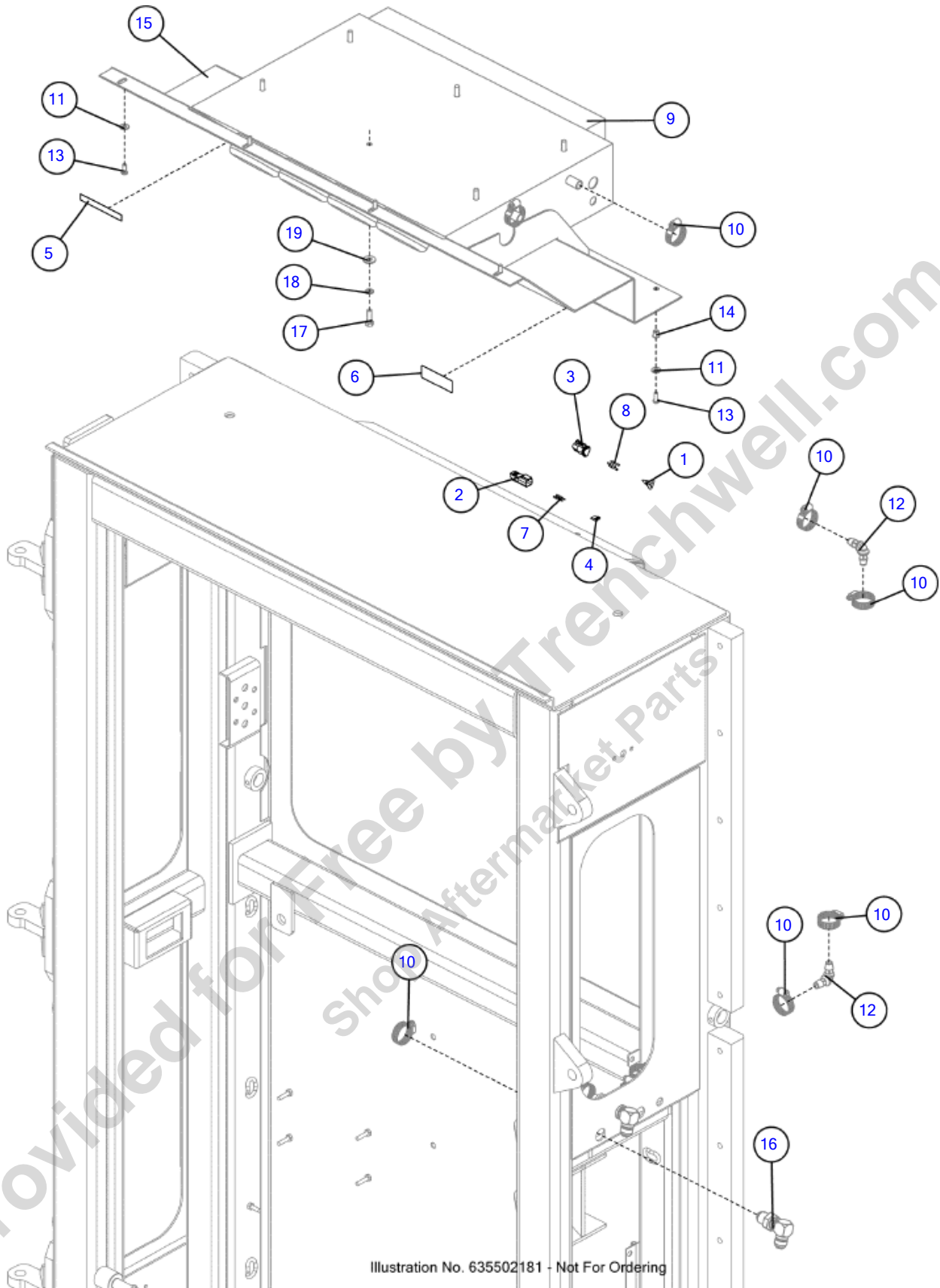


Illustration No. 635502181 - Not For Ordering

Overhead Console

Fig 09-09

REF NO.	PART NO.	DESCRIPTION	QTY.	REMARKS
1	125284001	3 CONTACT PLUG - WEDGE LOCK	1	
2	125286001	RECEPTACLE-DEUTSCH 2 PIN	1	
3	125289001	3 WAY PLUG - DT SERIES	1	
4	276870001	WEDGE - 2 PIN RECEPTACLE	1	
5	70000213	DECAL-FRONT/REAR	1	
6	700ID289	DECAL-12 VOLT OUTLET	1	
7	87696001	CONTACT PIN - SIZE 16, SOLID	2	
8	91354001	CONTACT SOCKET - SIZE 16, SOLID	3	
9	613367001	HEAT/AC UNIT(24 V)	1	Breakdown Fig. 9-9T01
10	1580005	HOSE CLAMP - 1"	14	
11	252251001	WASHER-1/4 SAE FLAT	8	
12	252251001	WASHER-1/4 SAE FLAT	4	
13	296412596	FITTING-90-8MHB-NYLON	8	
14	625383001	.25 NUT INSERT	4	
15	628160001	CONSOLE-OVERHEAD	1	
16	610265001	SCREW-1/4 X 5/8 TORX	2	
17	238209001	BOLT-5/16-18X1 GR8 HEX	6	
18	510335705	WASHER LOCK .31 .33 X .59 .08 YZ	6	
19	510337605	WASHER-FLATSTD-.31-.38X.88-.08	6	

Provided for Free by Trenchwell.com
Shop Aftermarket Parts

Breakdown-Heater \ AC Unit

Fig 09-09T01

REF NO.	PART NO.	DESCRIPTION	QTY.	REMARKS
1	613378001	BOTTOM HOUSING ASSY	1	
2	613379001	COVER ASSY - HOUSING	1	
3	628735001	LOUVER	4	
4	613381001	DOME LIGHT - 24 V	1	
5	614493001	KNOB - CONTROL	2	
6	613383001	THERMOSTAT	1	
7	628736001	CABLE CONTROL CONVERTER	1	Inc Cable
8	613385001	SWITCH - TOGGLE SPDT	1	
8	(180009802)	SWITCH	1	
9	614494001	SWITCH-TOGGLE - DPDT	1	
10	628737001	DUAL BLOWER MOTOR ASSY-24V	1	
11	180009804	WATER VALVE ASSY	1	
12	613389001	HEATER CORE ASSY	1	
13	613390001	EXPANSION VALVE	1	
14	613391001	EVAPORATOR ASSY	1	
15	628739001	SINGLE BLOWER MOTOR ASSY-24V	1	
16	180007350	HEATER-A/C EVAP. W/ FRESH AIR 24V	1	
17	628738001	BRACKET ASSY-FILTER LEFT	1	
18	614496001	BRKT ASSY - FILTER RIGHT	1	
19	614495001	FILTER	1	
	613367001	HEAT/AC UNIT(24 V)	A/R	Inc All Items In Figure

Air Cleaner / Blower (SN 550-569)

Fig 09-10

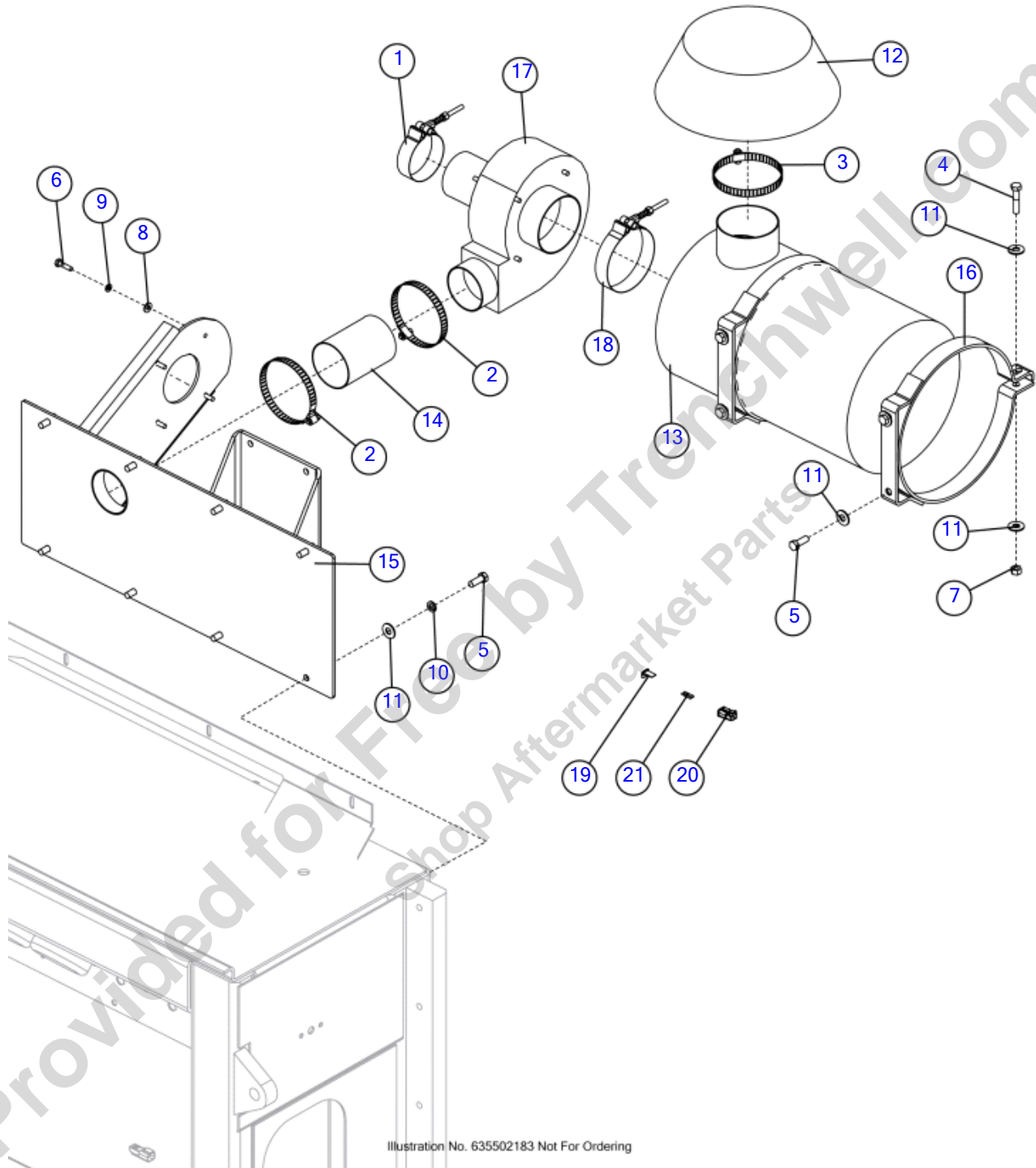


Illustration No. 635502183 Not For Ordering

Air Cleaner / Blower (SN 550-569)

Fig 09-10

REF NO.	PART NO.	DESCRIPTION	QTY.	REMARKS
1	123616001	CLAMP-SPRING LOADED HOSE 2.94	1	
2	1580017	HOSE CLAMP - 3 3/4"	2	
3	1580019	HOSE CLAMP - 4 1/2"	1	
4	235720001	BOLT-3/8-16X1 3/4 GR8	2	
5	235727001	SCREW-HCS-.38-16X1.00-GR8	12	
6	235735001	BOLT-1/4-20X1 GR8 HEX	4	
7	250508001	NUT - 3/8-NC Gr8 TOP LOCK	2	
8	252251001	WASHER-1/4 SAE FLAT	4	
9	510335703	WASHER-LOCK-.25-.26X.49-.06-YZ	4	
10	510335707	WASHER-LOCK-.38-.39X.68-.09	8	
11	510337607	WASHER-FLATSTD-.38-.44X1.00-.08	16	
12	228411001	HOOD-AIR INLET	1	
12	(610912001)	RAIN CAP	1	
13	610928001	AIR CLEANER ASSEMBLY	1	Breakdown Fig. 9-10T01
14	613363001	3 IN HOSE	1	
15	613364001	MOUNT - AIR CLEANER	1	
16	613366001	MOUNTING BAND	2	
17	615836001	BOOSTER BLOWER PRESSURIZER (24V)	1	
18	621590001	CLAMP-4" SPRING LOADED T-BOLT	1	
19	125285001	2 CONTACT PLUG - WEDGE LOCK	1	
20	700000039	2 WAY PLUG - DT SERIES	1	
21	91354001	CONTACT SOCKET - SIZE 16, SOLID	2	

Air Cleaner / Blower (SN 570-)

Fig 09-10R01

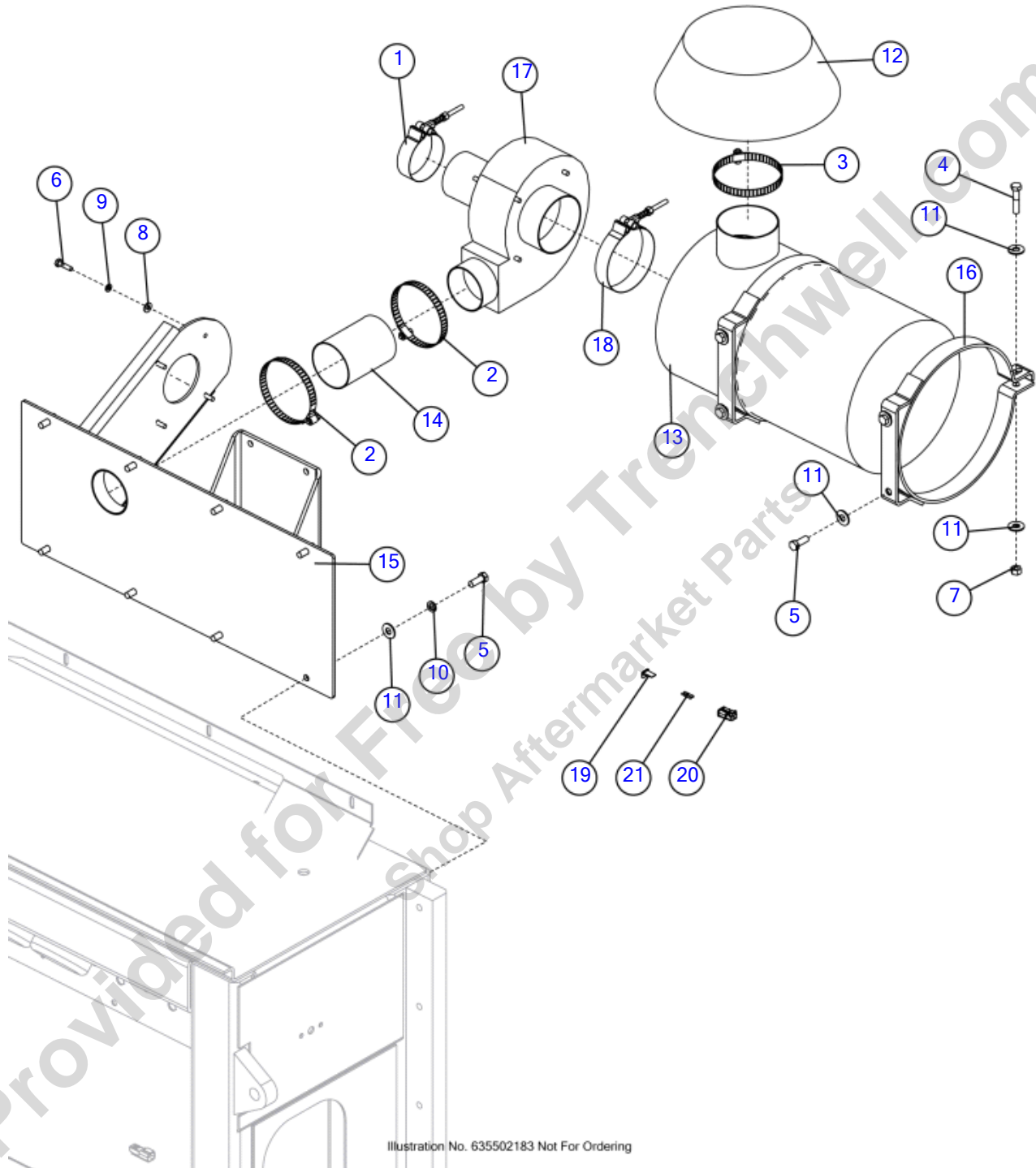


Illustration No. 635502183 Not For Ordering

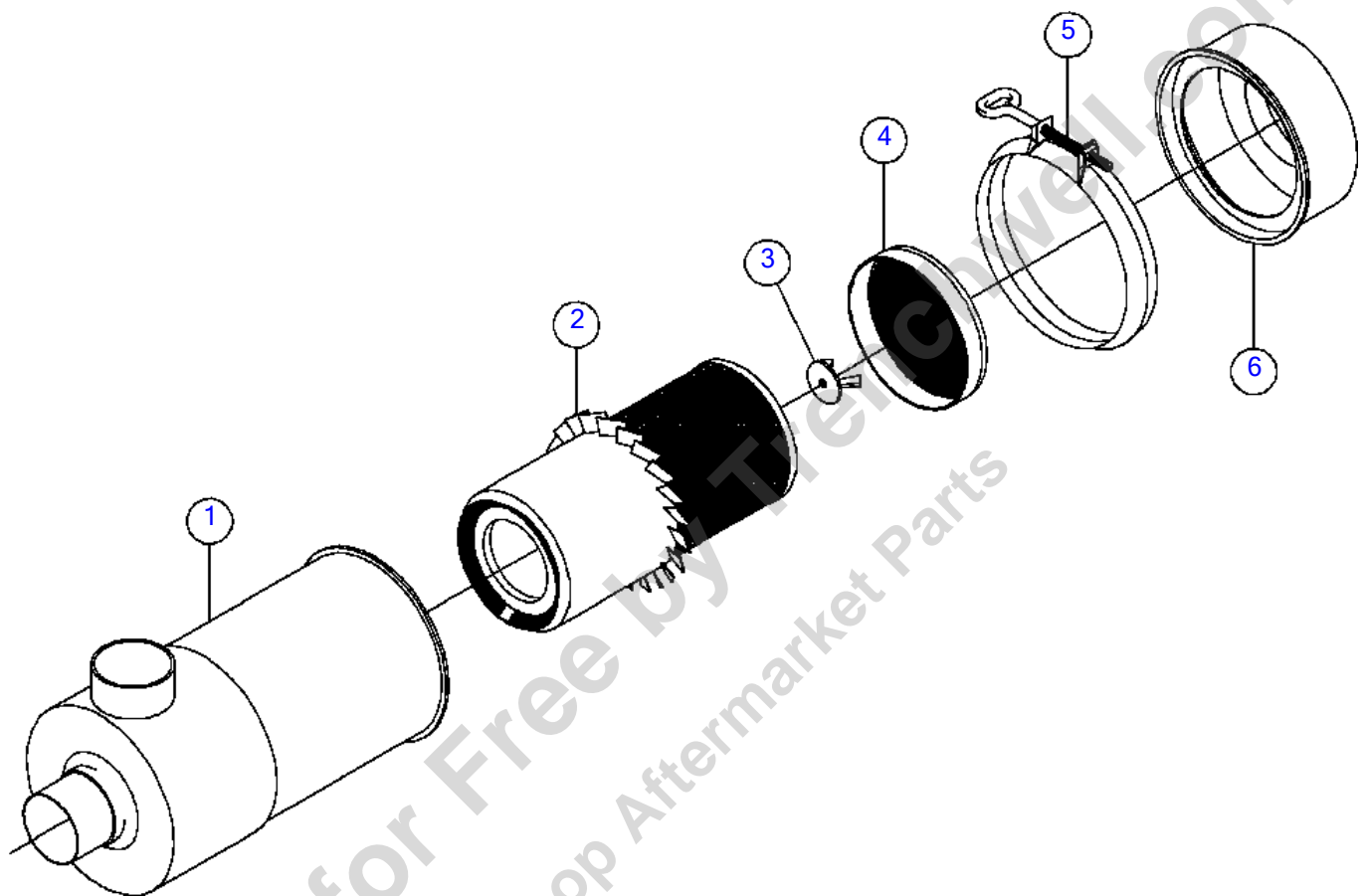
Air Cleaner / Blower (SN 570-)

Fig 09-10R01

REF NO.	PART NO.	DESCRIPTION	QTY.	REMARKS
1	123616001	CLAMP-SPRING LOADED HOSE 2.94	1	
2	1580017	HOSE CLAMP - 3 3/4"	2	
3	1580019	HOSE CLAMP - 4 1/2"	1	
4	235720001	BOLT-3/8-16X1 3/4 GR8	2	
5	235727001	SCREW-HCS-.38-16X1.00-GR8	12	
6	235735001	BOLT-1/4-20X1 GR8 HEX	4	
7	250508001	NUT - 3/8-NC Gr8 TOP LOCK	2	
8	252251001	WASHER-1/4 SAE FLAT	4	
9	510335703	WASHER-LOCK-.25-.26X.49-.06-YZ	4	
10	510335707	WASHER-LOCK-.38-.39X.68-.09	8	
11	510337607	WASHER-FLATSTD-.38-.44X1.00-.08	16	
12	228411001	HOOD-AIR INLET	1	
12	(610912001)	RAIN CAP	1	
13	635216321	ASSEMBLY, AIR CLEANER	1	Breakdown Fig. 9-10T01R01
14	613363001	3 IN HOSE	1	
15	613364001	MOUNT - AIR CLEANER	1	
16	613366001	MOUNTING BAND	2	
17	615836001	BOOSTER BLOWER PRESSURIZER (24V)	1	
18	621590001	CLAMP-4" SPRING LOADED T-BOLT	1	
19	125285001	2 CONTACT PLUG - WEDGE LOCK	1	
20	700000039	2 WAY PLUG - DT SERIES	1	
21	91354001	CONTACT SOCKET - SIZE 16, SOLID	2	

Breakdown-Cab Air Cleaner (SN 550-569)

Fig 09-10T01



Breakdown-Cab Air Cleaner (SN 550-569)

Fig 09-10T01

REF NO.	PART NO.	DESCRIPTION	QTY.	REMARKS
1	610928001	AIR CLEANER ASSEMBLY	1	
1	(610911001)	FILTER HOUSING	1	
2	610909001	FILTER	1	
3	610937001	NUT-WING	1	
4	610934001	BAFFLE	1	
5	610935001	CLAMP - ASSY	1	
6	610936001	CUP ASSY	1	
	610928001	AIR CLEANER ASSEMBLY	A/R	(Inc. Ref. 1-6) Refer To Fig.9-10

Provided for Free by Trenchwell.com
Shop Aftermarket Parts

Breakdown-Cab Air Cleaner (SN 570-)

Fig 09-10T01R01

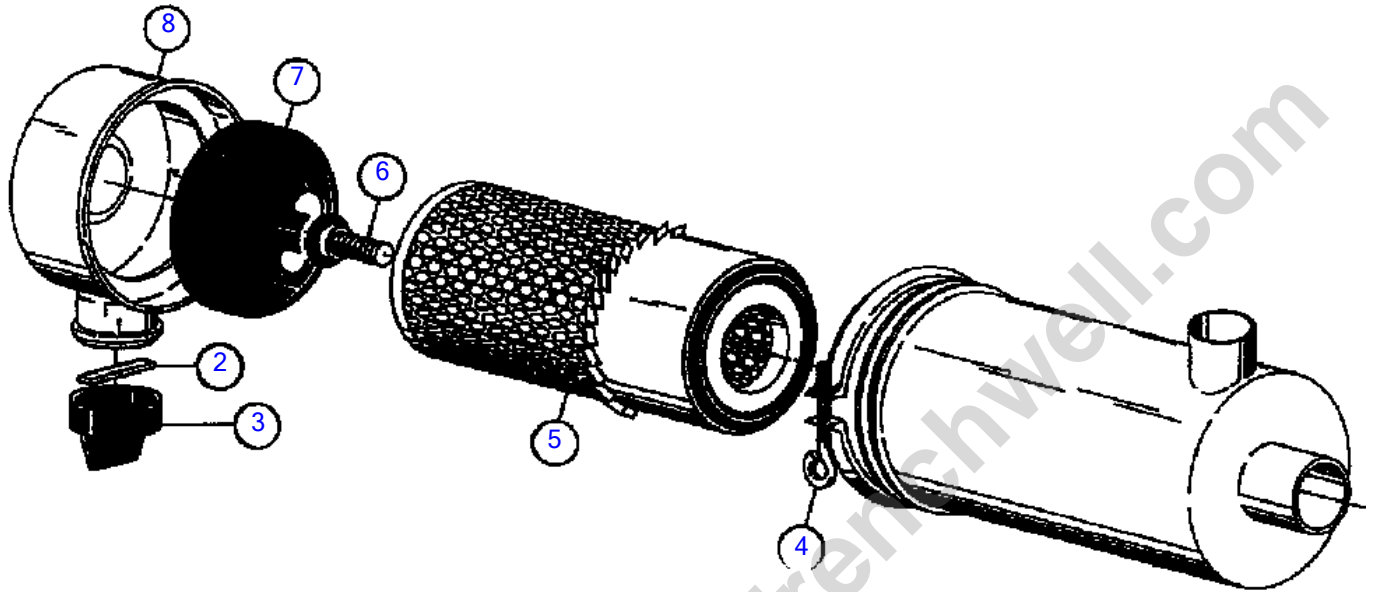


Illustration No. 635216321 - Not For Ordering

Breakdown-Cab Air Cleaner (SN 570-)

Fig 09-10T01R01

REF NO.	PART NO.	DESCRIPTION	QTY.	REMARKS
1	635216320	O-RING	1	Not Shown
2	2146013	SPRING - P10 4777	1	
3	2146017	VALVE-VACUATOR P10-3198	1	
4	610935001	CLAMP - ASSY	1	
4	(2153013)	CLAMP-P10-6071	1	
5	2153003	ELEMENT ASSY-P18-2045	1	
5	(635216317)	ELEMENT, AIR	1	
6	635216318	BOLT	1	
7	610934001	BAFFLE	1	
8	635216319	CUP	1	
	635216321	ASSEMBLY, AIR CLEANER	A/R	Includes Refs. 1-8

Provided for Free by Trenchwell.com
Shop Aftermarket Parts

Radio And Power Outlet

Fig 09-11

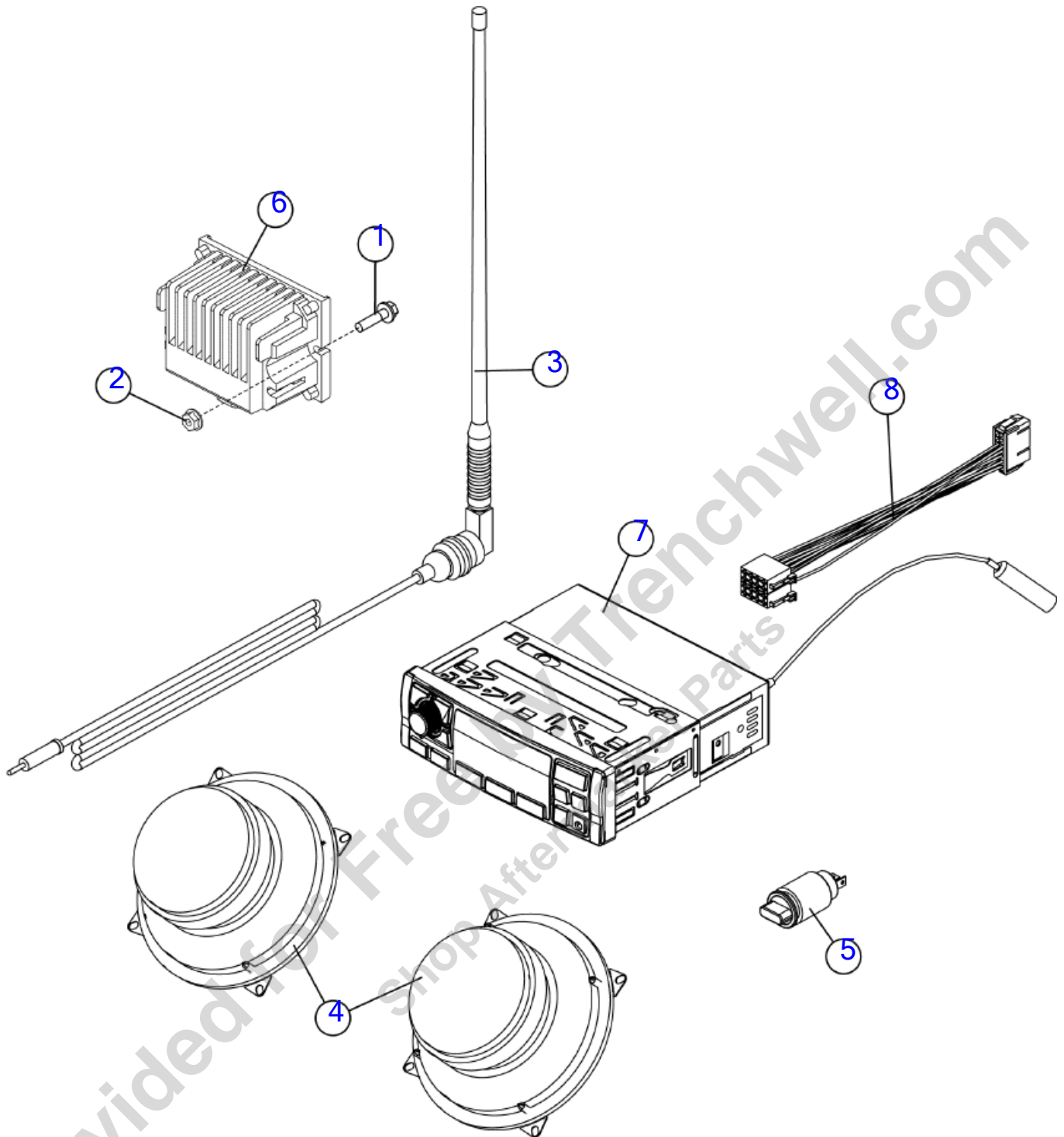


Illustration No. 635502182 Not For Ordering

Radio And Power Outlet

Fig 09-11

REF NO.	PART NO.	DESCRIPTION	QTY.	REMARKS
1	296300754	SCREW HFS .25 20X1.00 GR8	2	
2	296300891	NUT HEXFLG .25 20 GR8 YZ	2	
3	621026001	ANTENNA RUBBER MAST 59in CABLE	1	
4	621029001	SPEAKERS-RADIO (1 Pr.)	2	
5	628377001	POWER OUTLET-12V	1	
6	631860768	CONVERTER-24V-12V 7.5 AMPS W/SW OUTPUT	1	
7	634415001	RADIO VRMJHD1620	1	Inc Ref 8
8	634416001	ADAPTER-HARNESS 31100107	1	

Provided for Free by Trenchwell.com
Shop Aftermarket Parts

Air Conditioning Condenser

Fig 09-12

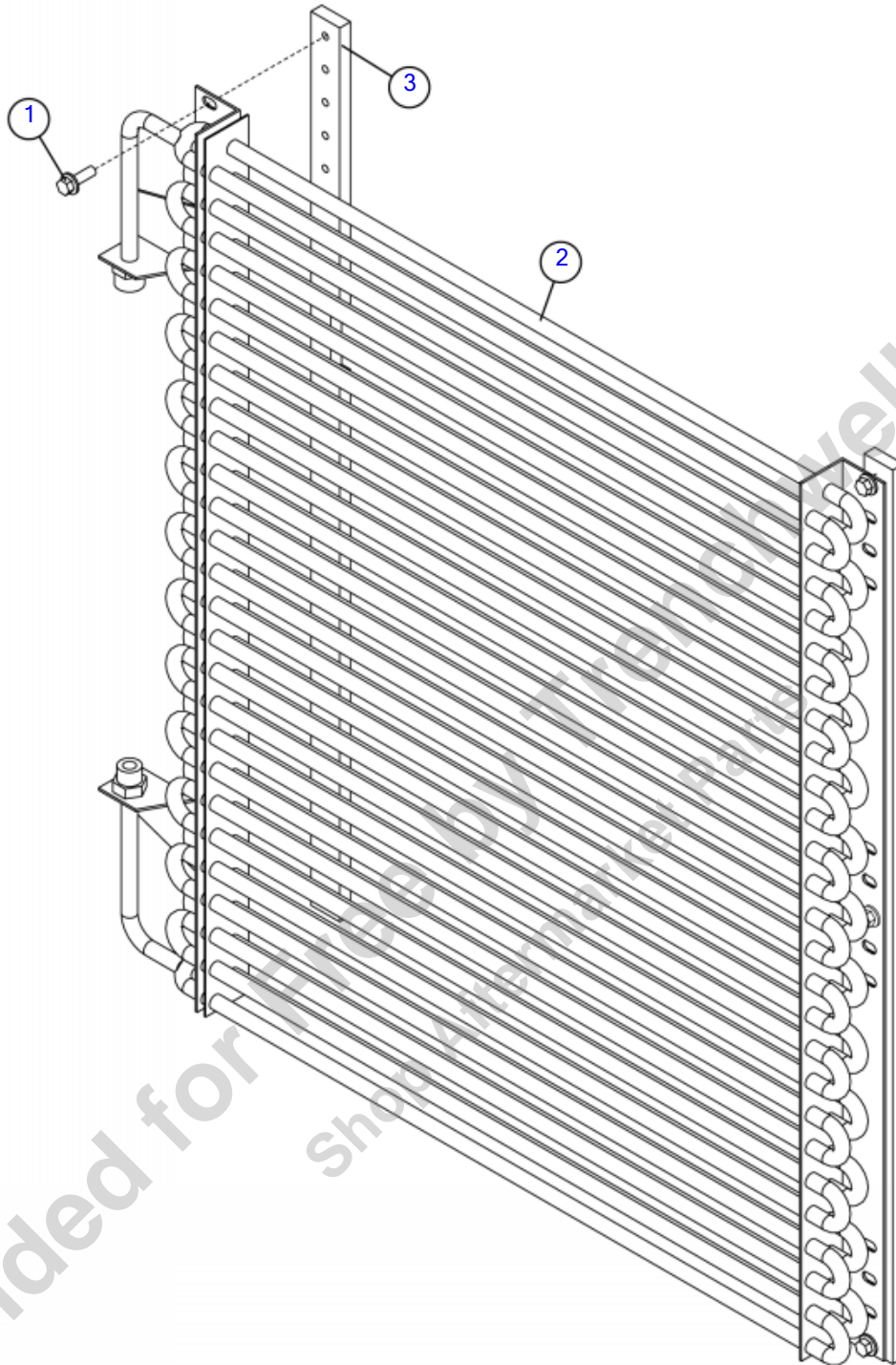


Illustration No.635201766-Not For Ordering

Air Conditioning Condenser

Fig 09-12

REF NO.	PART NO.	DESCRIPTION	QTY.	REMARKS
1	296300753	SCREW-HFS-.25-20X.75-GR8	6	
2	620050001	CONDENSER	1	
3	635201660	BACKING STRIP	2	

Provided for Free by Trenchwell.com
Shop Aftermarket Parts

Receiver / Dryer

Fig 09-13

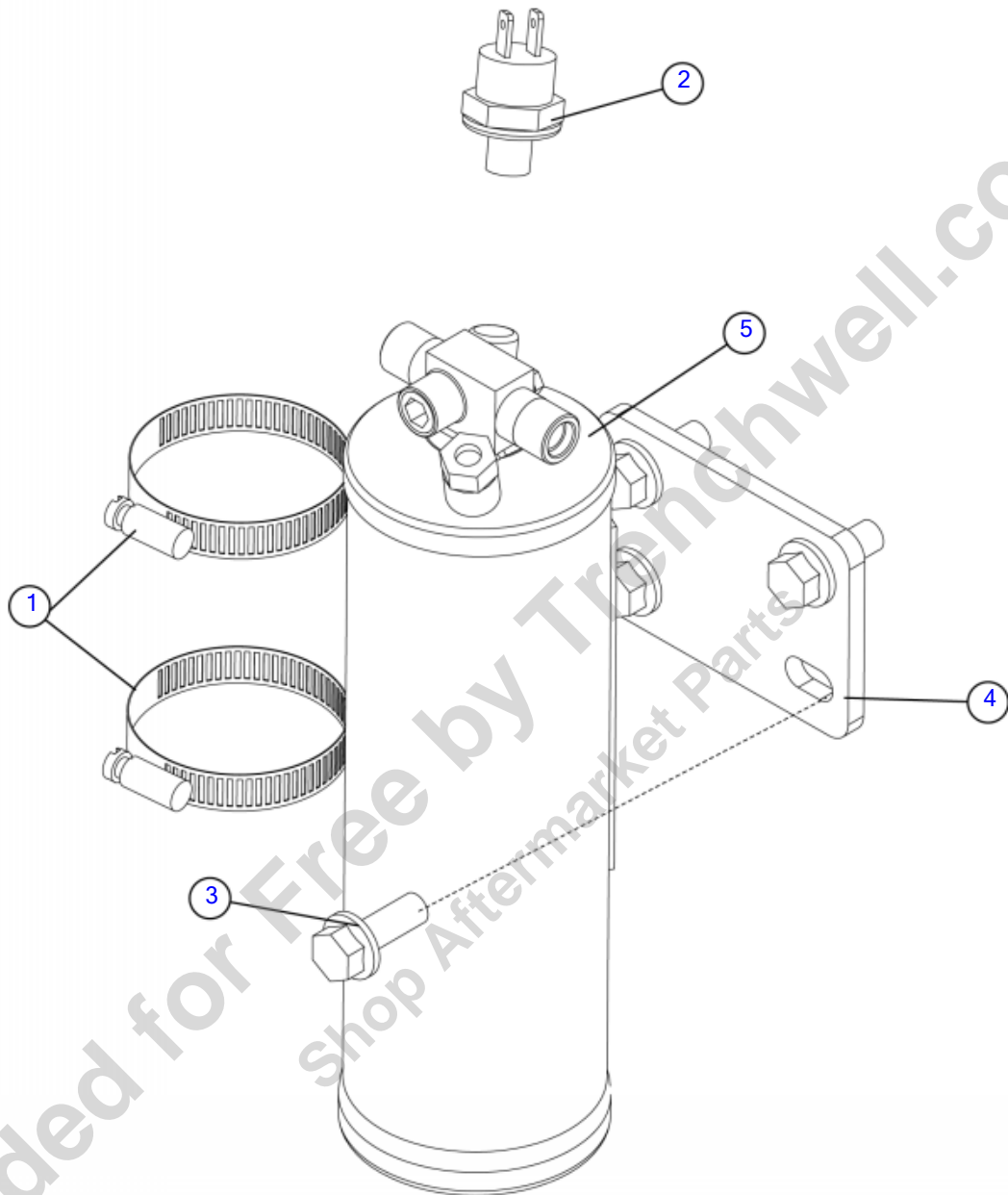


Illustration No. 628431001 - Not For Ordering

Receiver / Dryer

Fig 09-13

REF NO.	PART NO.	DESCRIPTION	QTY.	REMARKS
1	1580013	HOSE CLAMP - WORM GEAR - 2 1/16" - 3"	2	
2	293574001	SWITCH LOW/HIGH PRESSURE	1	
3	296300772	SCREW HFS .38-16X1.00 GR8	4	
4	605824001	MOUNT-RECEIVER/DRIER	1	
5	605827001	RECEIVER/DRIER-AIR CONDITION	1	

Provided for Free by Trenchwell.com
Shop Aftermarket Parts

Compressor / Air Conditioner-Tier 3

Fig 09-14

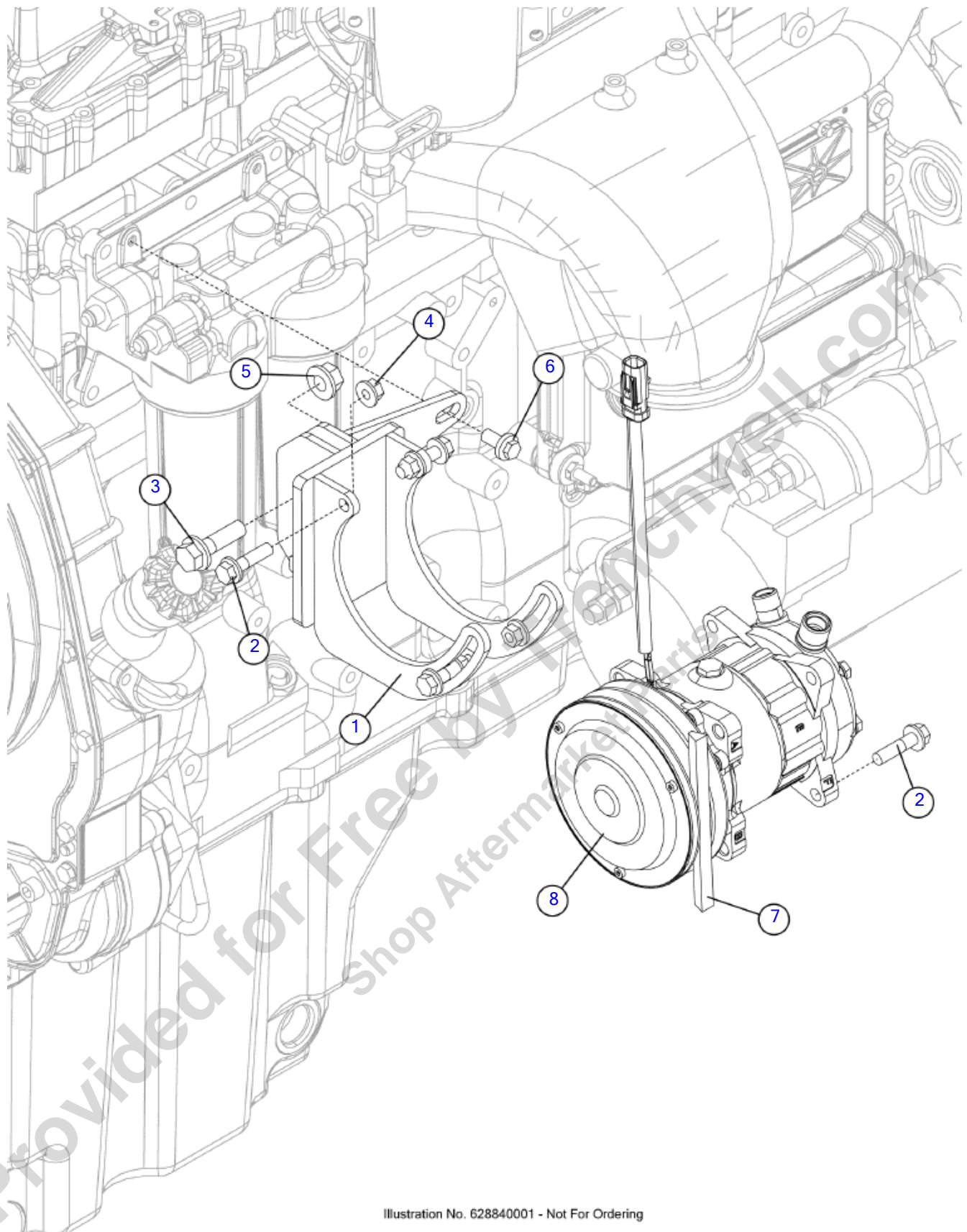


Illustration No. 628840001 - Not For Ordering

Compressor / Air Conditioner-Tier 3

Fig 09-14

REF NO.	PART NO.	DESCRIPTION	QTY.	REMARKS
1	163637036	A/C COMPRESSOR MOUNT	1	
2	296300774	SCREW HFS .38 - 16 X 1.50 GR8	4	
3	296300791	SCREW-HFS-.50-13X1.75-GR8	2	
4	296300850	NUT-HEXFLGTL-.38-16-G	4	
5	296300851	NUT-HEXFLGTL-.50-13-G	2	
6	507612020	SCREW-HFS,M10-1.50X20,10.9,ANSI,B18.2.3.9M,FT	1	
7	631863373	BELT-A56 HIGH POWER 2V	1	
8	631868574	AIR CONDITIONING-COMPRESSOR-24V	1	

Provided for Free by Trenchwell.com
Shop Aftermarket Parts

Tier 4 Final AC / Compressor

Fig 09-15

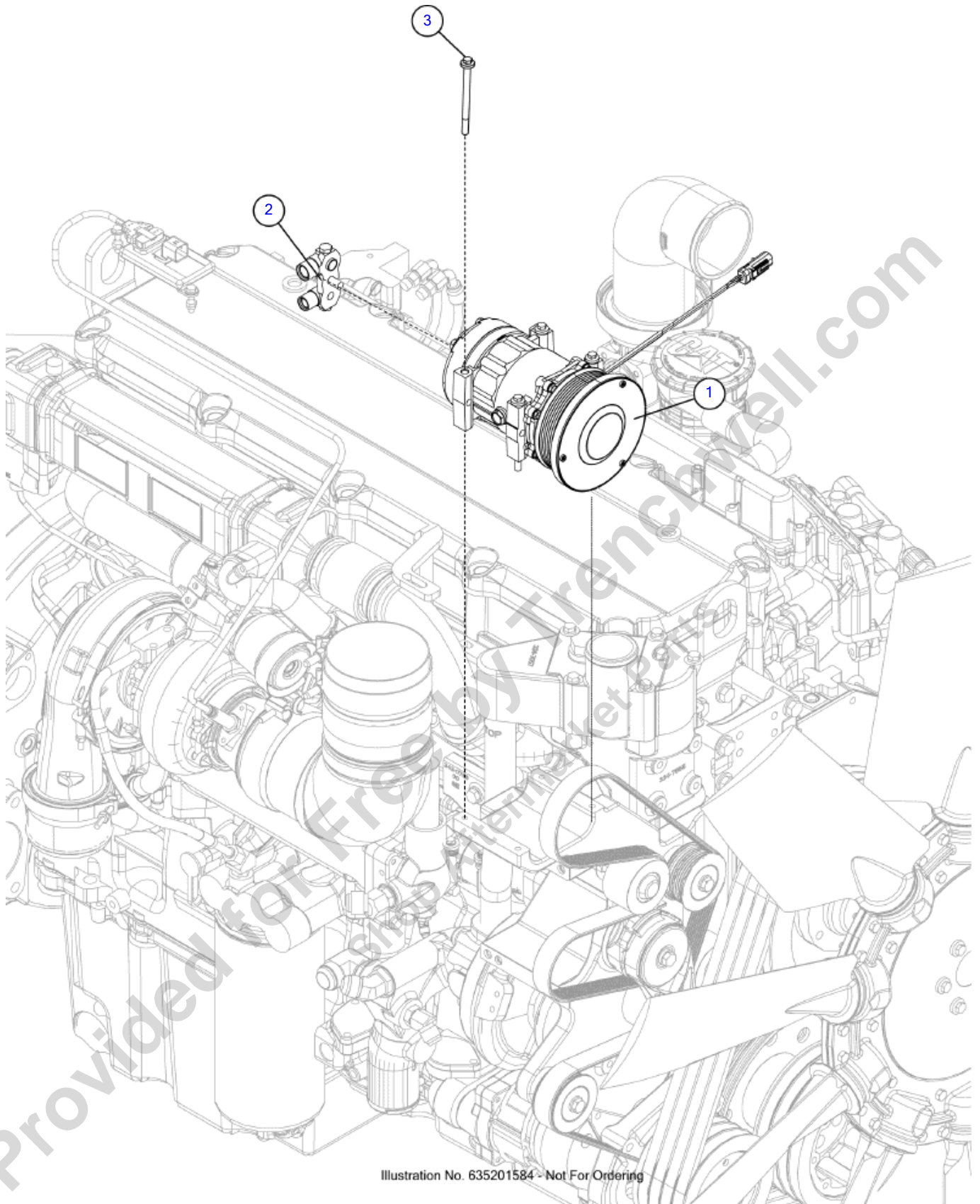


Illustration No. 635201584 - Not For Ordering

Tier 4 Final AC / Compressor

Fig 09-15

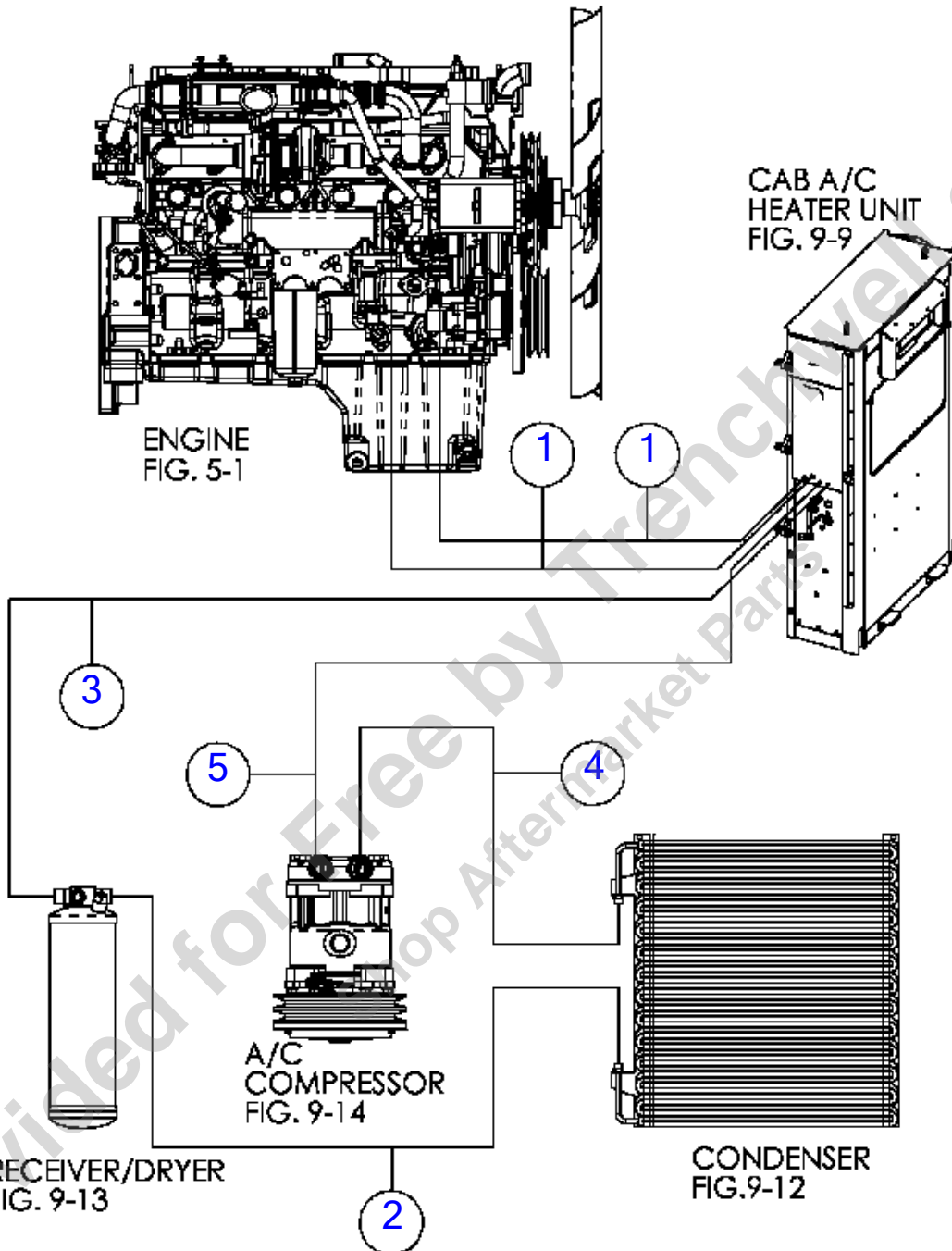
REF NO.	PART NO.	DESCRIPTION	QTY.	REMARKS
1	631868588	AIR CONDITIONING-COMPRESSOR-24V	1	
2	163715836	FITTING, 406315, COMPRESSOR SANDEN, FLX7,VOR,8X10	1	
3	507611100	SCREW-HFS,M8-1.25X100,10.9,D6921,PT	4	

Provided for Free by Trenchwell.com
Shop Aftermarket Parts

Hose diagram-Tier 3 AC Heater

Fig 09-16

17594 02/98/AV



Hose diagram-Tier 3 AC Heater

Fig 09-16

REF NO.	PART NO.	DESCRIPTION	QTY.	REMARKS
1	612996001	HOSE - 5/8 X 180.0 HEATER	2	
2	125309025	HOSE-5/16X240 R134A	1	
3	125309027	HOSE-5/16X100 R134A	1	
4	125310015	HOSE-13/32X134 R134A (STEEL)	1	
5	125311013	HOSE-1/2X204 R134A (STEEL)	1	

Provided for Free by Trenchwell.com
Shop Aftermarket Parts

Hose Diagram-Tier 4 Final A/C Heater

Fig 09-17

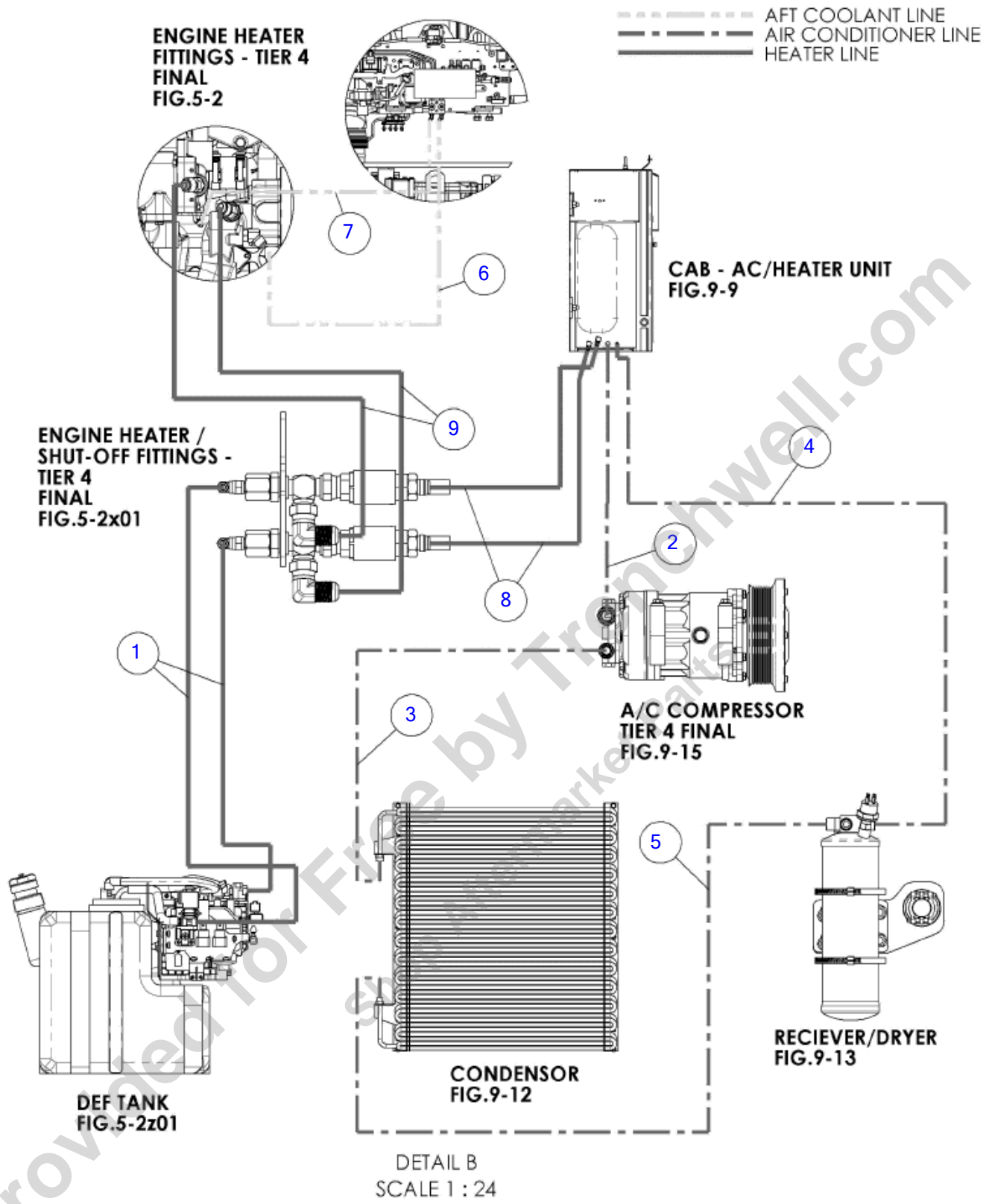


Illustration No: 635202342 - Not For Ordering

Hose Diagram-Tier 4 Final A/C Heater

Fig 09-17

REF NO.	PART NO.	DESCRIPTION	QTY.	REMARKS
1	57940279	HOSE-3/8X98 6FS JIC 3000 PSI	2	
2	635201715	HOSE - AC .63X216-10FTON-STR/45-500PSI	1	
3	635201714	HOSE AC -.41X200-8FTON-STR/STR-5000PSIJ2064	1	
4	125309027	HOSE-5/16X100 R134A	1	
5	125309025	HOSE-5/16X240 R134A	1	
6	53843451	HOSE-1/4X68 4FS JIC 3000 PSI	1	
7	53843237	HOSE-1/4X80 4FS JIC 3000 PSI	1	
8	623649001	HOSE-HYD-.63X194-10FSJ-ST/ST-1900PSI	2	
9	53845479	HOSE-3/4X38 12FS JIC 3000 PSI	2	

Provided for Free by Trenchwell.com
Shop Aftermarket Parts

Provided for Free by Trenchwell.com
Shop Aftermarket Parts

Provided for Free by Trenchwell.com
Shop Aftermarket Parts

Provided for Free by Trenchwell.com
Shop Aftermarket Parts

No part of this manual may be reproduced in any form or by any means, electronic or mechanical, including photocopying, recording, or by any information storage and retrieval systems, without the express written consent of Vermeer Corporation.

Copyright 2014-2020 Vermeer Corporation
All rights reserved.
Vermeer Corporation
1210 Vermeer Road East, P.O. Box 200
Pella, Iowa 50219-0200, USA