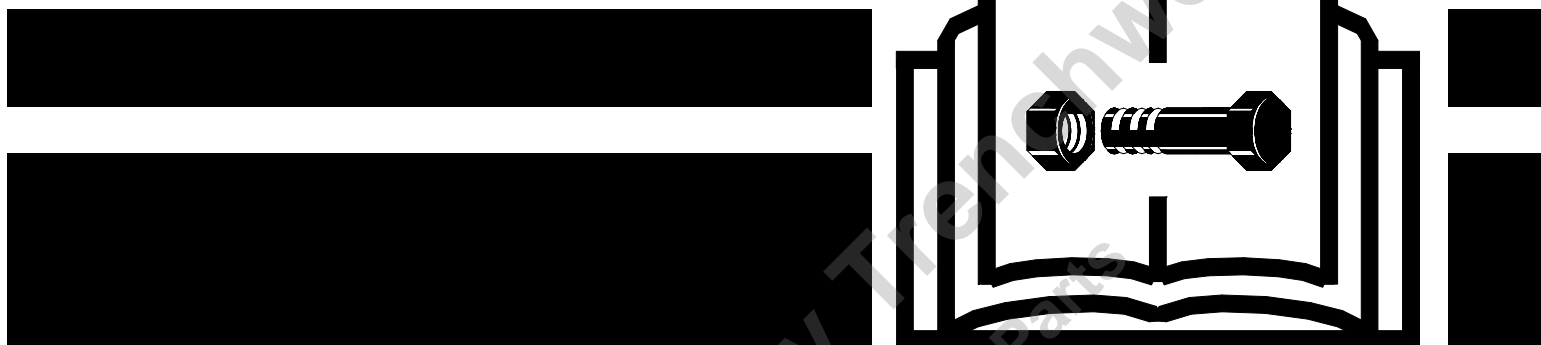


Vermeer®

SC252 Stump Cutter



Parts Manual

P2.10
SERIAL NO. 3839 -
ORDER NO. 105400R94

HOW TO USE THE MANUAL

This manual contains illustrations and parts lists of components and assemblies which make up the machine. Each page consists of the name of the assembly or component, a figure number, reference numbers, part numbers, part names, and the quantities of the parts used.

Assembly or component name helps identify the illustration and parts list for each figure. This name also helps locate the general area of the machine where the assembly or component can be located.

Figure numbers are used to identify each assembly or component and to group these assemblies or components into major categories.

Reference numbers shown in a column refer to the numbered parts in the illustration. This ties the part in the illustration to the part number and description in the parts list.

An asterisk indicates information about the item has changed since the previous release of the parts manual. A note below the table often explains the change.

Part numbers are used to identify individual parts or part assemblies.

Part descriptions provide the name of the part, plus additional information such as dimensional specifications and what parts are grouped together to form part assemblies, which helps you identify the part(s).

Quantities listed for each figure are only for that assembly or component and not the total used per machine.

This parts manual is not intended to be a complete guide for machine service or repairs. Contact your Vermeer dealer for any of your service or technical requirements.

ORDERING PARTS

Parts for repair or replacement are available through our network of authorized dealers located throughout the world.

Use only authorized Vermeer parts for repair or replacement. Always give the serial number and

model number of the machine for which parts are being ordered. When ordering parts for component(s), which are not manufactured by Vermeer Corporation, also give the serial number of that component(s). Order all parts by part number, part name, and quantity needed.

UPDATING AND REORDERING MANUALS

The parts lists, illustrations, and specifications in this manual are based on the latest information available at time of publication. Your machine may have product improvements and options not yet contained in this manual.

Vermeer Corporation reserves the right to make changes at any time without notice or obligation to you.

Your dealer will receive notice of these changes and can assist you with accurate parts identification when ordering.

A copy of this manual is supplied with each machine. Additional copies are available through your dealer. When ordering additional manuals, use the reorder number listed on the front cover and the quantity needed.

No part of this manual may be reproduced in any form or by any means, electronic or mechanical, including photocopying, recording, or by any information storage and retrieval systems, without the express written consent of Vermeer Corporation.

Copyright © 2004-2009 Vermeer Corporation
All rights reserved.
Vermeer Corporation
1210 Vermeer Road East, P.O. Box 200
Pella, Iowa 50219-0200, USA+

Frame - Section 1

Decal Listing Fig 1-1r01
 Decal Listing Cont. Fig 1-1x01
 Decal Listing Cont. Fig 1-1x02
 Decal Listing Cont. Fig 1-1x03
 Main Frame Fig 1-2
 Boom Head Fig 1-3r01
 Cutter Wheel Boom Fig 1-4r01
 Axle Fig 1-5
 Tire - Wheel Fig 1-6r01
 Dual Tire - Wheel Fig 1-7
 Inn Tongue & Single Caster Wheel Fig 1-8r01
 Inn Tongue & Double Caster Wheel Fig 1-9
 Axle - Hydraulic Steer Fig 1-9x01
 Steering Cylinder Fig 1-9x02
 Wheel -5.80x8 W/brg. Fig 1-9x03
 Towing Package Fig 1-10r01
 Control Module Fig 1-11r02
 Control Module Cable & Air Spring Fig 1-12
 Transport Block Holder Fig 1-13r01
 Fuel Tank Fig 1-14
 Fender & Cutter Wheel Boom Shield Fig 1-15r01
 Side Chip Shields Fig 1-16
 Side Curtain Fig 1-17
 Rear Chip And Curtain Fig 1-18
 Deflector Curtain Fig 1-19
 Belt And Clutch Shields Fig 1-20r01
 Polychain Case Door And Cover Fig 1-21
 Tool Tray Fig 1-22
 Plastic Literature Box Fig 1-23r01
 Light Fig 1-24r01
 Face Shield Fig 1-25
 Product Manuals Fig 1-26

Drive - Section 2

Cutter Wheel Jackshaft Fig 2-1r03
 Cutter Wheel Fig 2-2r03
 Cutter Teeth And Pockets Fig 2-3r02

Engine & Accessories - Section 3

Engine Mounts - Kohler Fig 3-1r01
 Engine Mounts - Honda Fig 3-2r01
 Engine Components - Kohler 25 Hp Fig 3-3r02
 Engine Components - Honda Fig 3-4
 Regulator / Rectifier - Honda Fig 3-5r01
 Muffler - Kohler 25 Hp Fig 3-6
 Muffler - Honda Fig 3-7

Engine Oil Drain - Kohler Fig 3-8
 Engine Oil Drain - Honda Fig 3-9
 Battery Fig 3-10r01

Hydraulic - Section 4

Hydraulic Location Diagram Without Autosweep Fig 4-1r01
 Hydraulic Location Diagram With Autosweep Fig 4-2r01
 Hydraulic Location Diagram - Hydraulic Steer Fig 4-2x01
 Hydraulic Oil Tank Fig 4-3r02
 Control Valve Fig 4-4r01
 Hydraulic Pump Fig 4-5
 Hydraulic Drive Motor Fig 4-6r01
 Liftycylinder Fig 4-7
 Swing Cylinders Fig 4-8
 Needle Valve Fig 4-9r01
 Dual Counter Balance Valve Fig 4-10
 Autosweep Valve Fig 4-11r02
 Steering Cylinder Fig 4-11x01
 Control Valve Fig 4-11x02
 Hydraulic Control Valve Components Fig 4-12
 Hydraulic Pump Components Fig 4-13
 Hydraulic Motor Components Fig 4-14
 Hydraulic Cylinder Components 2 1/2 X 12 Fig 4-15
 Hydraulic Cylinder Components 2 1/2 X 4 Fig 4-16
 Needle Valve Components Fig 4-17
 Dual Counter Balance Valve Components Fig 4-18
 Hydraulic Control Valve Components Fig 4-19r01
 Hydraulic Cylinder Components 1 1/2 X 8 1/2 Fig 4-20

Controls - Section 5

Controls With Autosweep Fig 5-1
 Electric Clutch - Kohler Fig 5-2r01
 Electric Clutch - Honda Fig 5-3
 Autosweep Speed Control Switch Fig 5-4r02


This page intentionally left blank.

Provided for Free by Trenchwell.com
Shop Aftermarket Parts

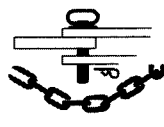
Decal Listing Fig 1-1r02

REF. NO.	*	PART NO.	DESCRIPTION	QTY.	REMARKS
		Revision Date	August, 2004		Updated Due To Decal Legibility.
1		7000A615	DECAL-DANGER (ENV.)	1	
2		70000903	DECAL-SWING LOCK	1	
3		70000774	DECAL 2 1/2"VERMEER STRIPE	A/R	P/n Qty. Of 1 = 1 Foot
4		70000044	DECAL-WARNING(AT/UND)	1	
5		70000904	DECAL-CLUTCH CONTROL	1	
6		2326324	DECAL-WARNING/REFUEL	1	
7		2326756	DECAL-HYDRAULIC OIL	1	
8		70000905	DECAL-CONTROLS	1	
9		70000784	DECAL 6"VERMEER LOGO	2	
10		70000422	DECAL-UNLEADED FUEL ONLY	1	
11		7000A313	DECAL-AUTOSWEEP 6 3/4" (AT)	2	
12		2326619	DECAL-VERMEER 3 X 15	1	
13		7000A421	DECAL-8" LOGO W/OUT VERMEER	1	
14		70000906	DECAL-GROUND DRIVE SPEED	1	
15		70000902	DECAL-DRIVE WHEEL LOCK	1	
16		7000A396	DECAL-WARNING 252SC	1	
17		7000B162	DECAL - CHECK OIL	1	
18		7000C233	DECAL-SC STEERING	1	
19		70000952	DECAL-CROSS SPEED	1	

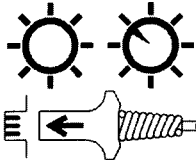
Decal Listing Cont. Fig 1-1x01



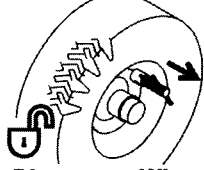
WARNING



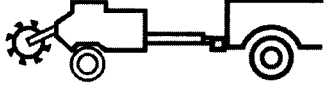
Attach Safety Towing Chain.



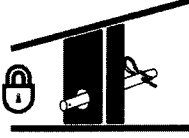
Connect Highway Lights.



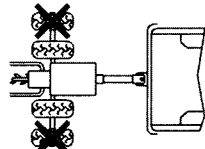
Disengage Wheel Lock Pins



Towing Precautions

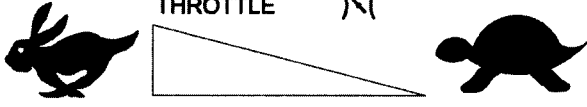


Install Transport Lock Tube




Remove Dual Wheels.

70000C126



THROTTLE


70004-029



OIL PRESSURE


7000A-032


9





70000-985

SHUTDOWN PROCEDURE

1. 
Idle Engine

3. 
**Shut off Engine.
Remove Key**

2. 
Disengage Clutch

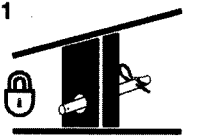
4. 
**Wait For Cutter
Wheel To Stop**

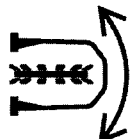
7000C154



SC252

IMPORTANT

1. 

2. 

REMOVE TRANSPORT BLOCK
BEFORE OPERATING SIDE SWING

70000-119

This product may be covered by one or more of the following patents:

AU 756,936	US 5,590,041	US 6,195,922	US 6,477,795
CA D 79,593	US 5,607,280	US 6,247,544	US 6,484,818
DE 696 11 846	US 5,611,496	US 6,289,997	US 6,491,115
DE 202 14 959.5	US 5,657,803	US 6,308,787	US 6,497,296
DE Des. 96 006 85.4	US 5,659,985	US 6,315,062	US 6,511,260
EP 772,543	US 5,687,807	US 6,332,502	US 6,516,899
EP 830,522	US 5,692,548	US 6,357,537	US 6,517,733
EP 885,343	US 5,692,549	US 6,360,830	US 6,533,046
EP 1,153,194	US 5,704,142	US 6,367,564	US 6,533,052
GB 2,053,636	US 5,720,354	US 6,374,928	US 6,554,082
HK 1015859	US 5,746,278	US 6,382,330	US 6,557,651
RU 2,158,952	US 5,768,811	US 6,389,360	US 6,577,954
US Des. 308,682	US 5,778,991	US 6,390,207	US 6,585,062
US Des. 396,837	US 5,819,859	US 6,408,952	US 6,588,516
US 4,848,423	US 5,845,689	US 6,408,954	US 6,651,755
US 5,205,181	US 5,904,210	US 6,412,715	US 6,659,202
US 5,219,380	US 5,944,121	US 6,422,495	US 6,668,946
US 5,237,888	US 5,950,942	US 6,435,286	US 6,684,538
US 5,291,964	US 6,014,996	US 6,439,319	US 6,701,647
US 5,509,220	US 6,050,350	US 6,446,365	US 6,719,069
US 5,544,055	US 6,109,367	US 6,446,889	US 6,725,579
US 5,553,407	US 6,119,376	US 6,454,025	US 6,729,050
US 5,556,253	US 6,138,932	US 6,470,976	
US 5,574,642	US 6,154,987	US 6,474,931	
US 5,588,474	US 6,161,630	US 6,474,932	

This product may be covered by one or more of the following licensed patents:

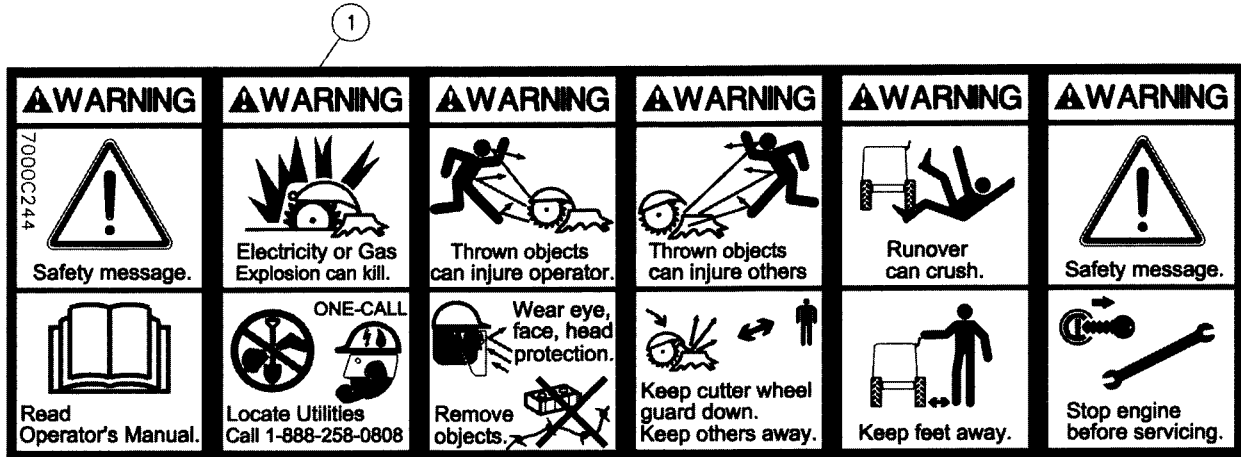
US 4,694,913	US 4,867,255	US 5,148,880
US 4,858,704	US 4,953,638	US 5,799,740

(OTHER U.S. AND FOREIGN PATENTS PENDING)

Decal Listing Cont. Fig 1-1x01

REF. NO.	*	PART NO.	DESCRIPTION	QTY.	REMARKS
		Revision Date	August, 2004		Addition To Manual
1		7000A018	DECAL-IMPORTANT	2	
2		7000C154	DECAL-SHUTDOWN PROCEDURE	1	
3		7000B119	DECAL-PATENT INDUSTRIAL	1	
4		70000434	DECAL-MADE IN USA	1	
5		7000A365	DECAL-MODEL 252	2	
6		7000C126	DECAL-TOWING PRECAUTIONS	1	
7		7000A029	DECAL-THROTTLE (TREE)	1	
8		7000A032	DECAL-OIL PRESSURE	1	
9		70000985	DECAL-ARROW PULL	1	

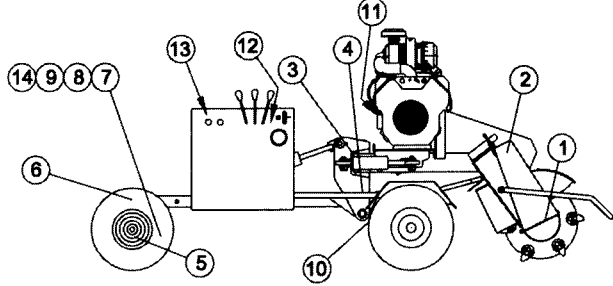
Decal Listing Cont. Fig 1-1x02



②

SC252 FLUIDS AND LUBRICATION CHART

7000C333



REF NO	DESCRIPTION	QUANTITY	FLUID OR LUBRICANT	SERVICE INTERVAL
1	CUTTER WHEEL BEARINGS (2 PLCS.)	2 SHOTS	VERMEER ULTRA LC GREASE	5 HOURS
2	JACKSHAFT BEARINGS (2 PLCS.)	2 SHOTS	VERMEER ULTRA LC GREASE	5 HOURS
3	BOOM SWING PIVOT	2 SHOTS	VERMEER ULTRA LC GREASE	10 HOURS
4	BOOMHEAD PIVOT	2 SHOTS	VERMEER ULTRA LC GREASE	10 HOURS
5	CASTER WHEEL BEARINGS	2 SHOTS	VERMEER ULTRA LC GREASE	10 HOURS
5	DOUBLE WHEEL STEERING OPTION			
5	CASTER WHEEL BEARINGS (2 PLCS)	2 SHOTS	VERMEER ULTRA LC GREASE	10 HOURS
6	STEERING PIVOT (2 PLCS.)	1 SHOT	VERMEER ULTRA LC GREASE	10 HOURS
6	HYDRAULIC STEERING OPTION			
7	KINGPINS (2 PLCS.)	1 SHOT	VERMEER ULTRA LC GREASE	10 HOURS
8	STEERING CYLINDER (2 PLCS.)	1 SHOT	VERMEER ULTRA LC GREASE	10 HOURS
9	AXLE PIVOT	1 SHOT	VERMEER ULTRA LC GREASE	10 HOURS
10	PROPEL DRIVE CHAIN	LIGHTLY OIL	SAE 30 OIL (VERMEER XTRA GOLD)	50 HOURS
11	ENGINE OIL AND FILTER	2.1 QT (2 L)	SEE ENGINE OPERATOR'S MANUAL	
12	HYDRAULIC SYSTEM	4 GAL (15 L) WITH FILTER	VERMEER VMF HYDRAULIC FLUID	FILTER CHANGE AFTER FIRST 50 HOURS, EVERY 250 HOURS THEREAFTER. CHANGE FLUID EVERY 500 HOURS
13	FUEL	6 GAL (22.7 L)	SEE ENGINE OPERATOR'S MANUAL	AS REQUIRED
14	TIE ROD ENDS	LIGHTLY OIL	SAE 30 OIL (VERMEER XTRA GOLD)	AS REQUIRED

SEE MAINTENANCE MANUAL FOR DETAILED INSTRUCTIONS

Decal Listing Cont. Fig 1-1x02

REF. NO.	*	PART NO.	DESCRIPTION	QTY.	REMARKS
		Revision Date	August, 2004		Addition To Manual
1		7000C244	DECAL - WARNING 6 PANEL	1	
2		7000C333	DECAL-FLUIDS AND LUBRICATION CHART	1	

Decal Listing Cont. Fig 1-1x03



Notice • Avis • Hinweis • Avviso • Aviso •

If you purchased this product as used equipment, you can receive a FREE Operator's Manual by contacting:

Si vous avez acheté cet équipement d'occasion, vous pouvez recevoir un manuel de l'opérateur GRATUIT en composant le:

Wenn Sie diese Maschine gebraucht erworben haben, können Sie eine KOSTENLOSE Betriebsanleitung wie folgt anfordern:

Se si è comprata la presente macchina usata, si può ricevere una copia del manuale dell'operatore IN OMAGGIO, contattando:

Si este producto que ha comprado es un equipo usado, puede recibir un manual del operador GRATUITO llamando al:

Vermeer Manufacturing Company
ATTN: Customer Data Department

1210 Vermeer Road East, PO BOX 200

Pella, IA 50219 USA

800-829-0051 or 641-628-3141

Telephone: English speaking only

Téléphone: en anglais uniquement

Telefon: Nur in Englischer Sprache

Telefono: tutte le comunicazioni saranno in inglese

Teléfono: en inglés solamente

OR by completing and mailing the Used Equipment Registration Form enclosed in the Operator's Manual.

OU en remplissant et en envoyant le formulaire d'enregistrement de l'équipement d'occasion inclus dans le manuel de l'opérateur.

ODER das in der Betriebsanleitung enthaltene Formular zur Registrierung gebrauchter Ausrüstung ausfüllen und einsenden.

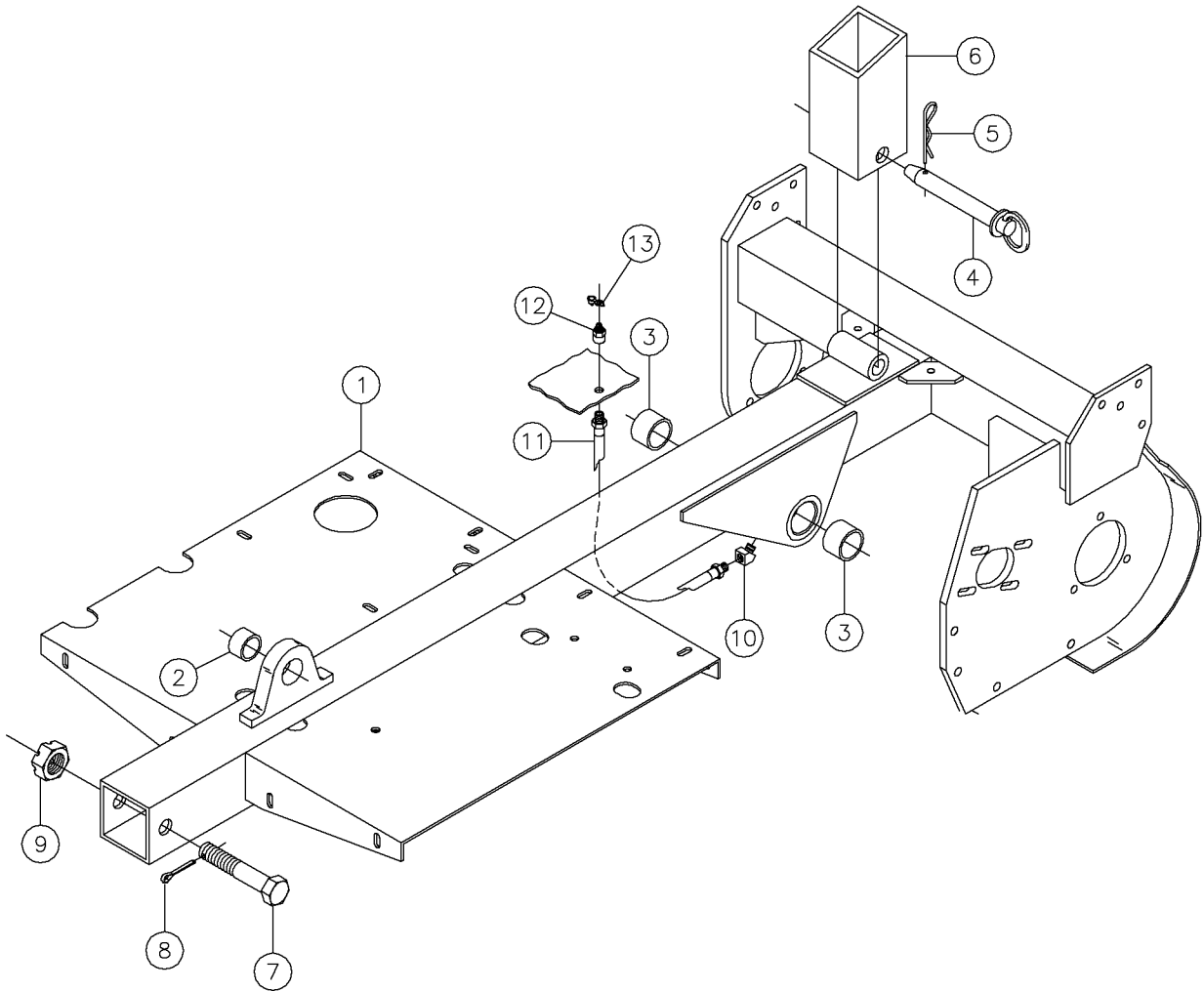
OPPURE compilando e spedendo il modulo di registrazione per macchinari usati, accluso al manuale dell'operatore.

O rellenando y enviando por correo el impreso de registro de equipos usados incluido en el manual del operador.

Decal Listing Cont. Fig 1-1x03

REF. NO.	*	PART NO.	DESCRIPTION	QTY.	REMARKS
		Revision Date	November, 2004		Update In Illustration & Parts List.
1		7000A894	Decal-warning	1	
2		2326940	Decal-notice To Owners	1	
3	*	180008208	Gauge-engine Angle	1	

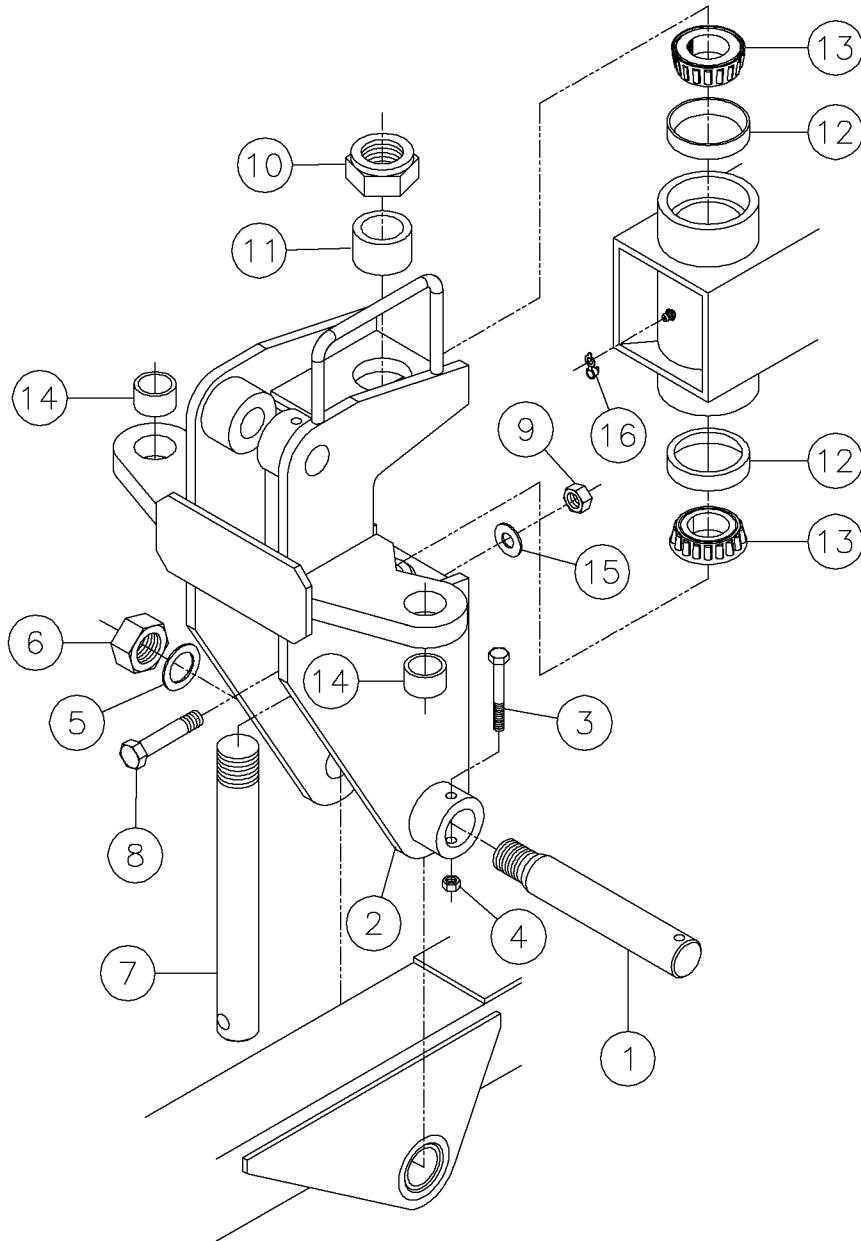
Main Frame Fig 1-2



Main Frame Fig 1-2

REF. NO.	*	PART NO.	DESCRIPTION	QTY.	REMARKS
1		126355003	FRAME ASSY-MAIN	1	Inc. Ref. No's 2 & 3
2		107207001	BEARING-GARMAX 1.25ODX1ID-.75	1	
3		1835025	BSHG.-STL.- 1 1/2 X 1 1/4 X 1	2	
4		2107001	HITCH PIN - 3/4" X 4 1/2"	1	
5		1794003	HAIR PIN COTTER - .148 WIRE	1	
6		109267001	TRANSPORT LOCK BLOCK	1	
7		126468001	3/4-10X4"GR5HEXBOLTSPEC.W/HOLE	1	
8		510017	COTTER PIN-5/32" X 1 1/2"	1	
9		99381001	NUT-3/4-10 SLOTTED HEX	1	
10		4019001	FITTING-3350X2 WTHR-HD	1	
11		59245013	HOSE-1/8X14 1/8NPT M&M 100R7	1	
12		587001	ZERK-1/8" F ST GREASE	1	
13		151808001	CAP - GREASE	1	

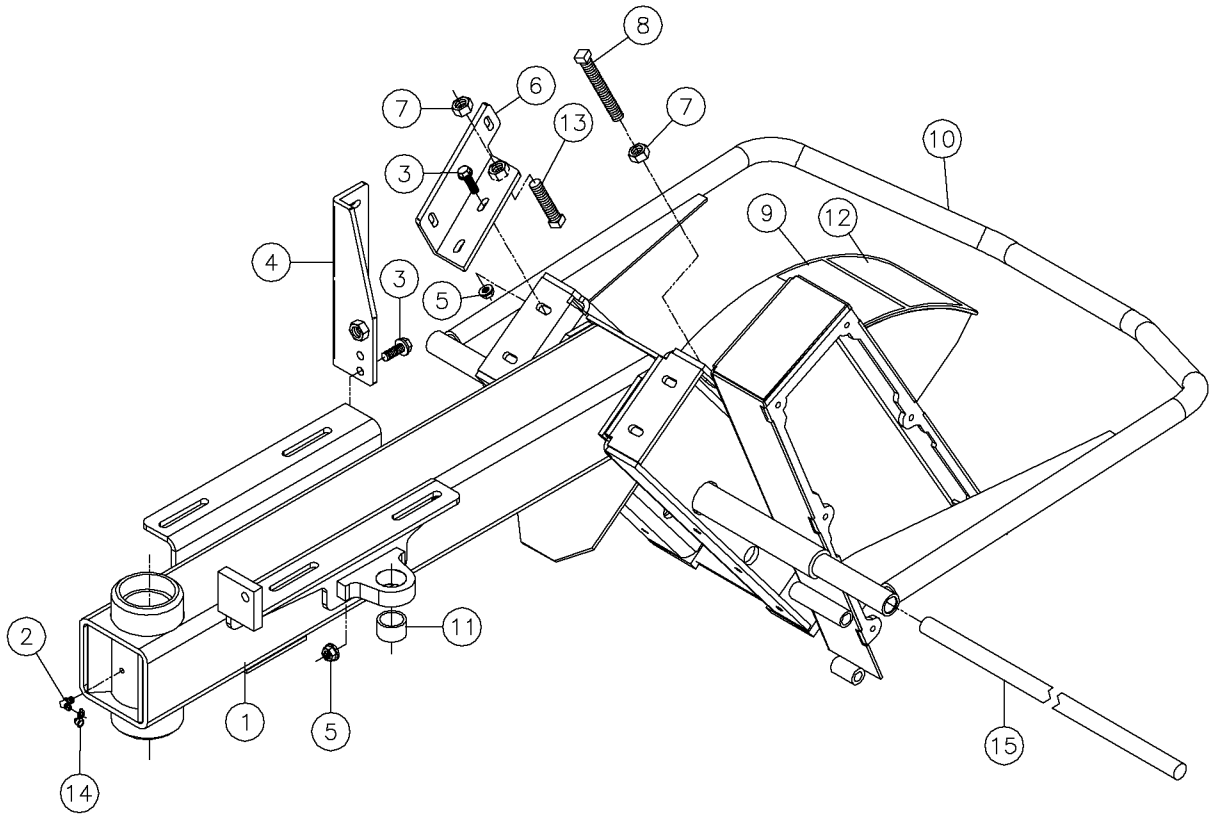
Boom Head Fig 1-3r01



Boom Head Fig 1-3r01

REF. NO.	*	PART NO.	DESCRIPTION	QTY.	REMARKS
		Revision Date	August, 2004		Update In Illustration.
1		107232001	PIN, LIFT PIVOT	1	
2		107231003	BOOM HEAD ASSEMBLY	1	
3		351024	5/16-18X2 1/2"GRADE#5 HEX BOLT	1	
4		409001	NUT-5/16 NC SLTL	1	
5		85759001	WASHER-1"HARDEN ASTM-A325	1	
6		439001	NUT-1" NC SLTL GRADE 5	1	
7		107234001	PIN, SWING PIVOT	1	
8		109299001	BOLT-SPECIAL 1/2-13X2 1/2	1	
9		75382001	NUT-1/2-UNC GRADE 8 SLTL	1	
10		17328001	NUT-1 1/4-7 SELF-LOCKING JAM	1	
11		107241001	SPACER, CUTTERWHEEL BOOM PIVOT	1	
12		1715045	TIMKEN CUP 1 1/4" LM67010	2	
13		1716105	BEARING CONE-1 1/4 W/SEAL	2	
14		107207001	BEARING-GARMAX 1.25ODX1ID-.75	2	
15		127362001	WASHER-1/2 HARD.FLAT/PLATED	1	
16		151808001	CAP - GREASE	1	

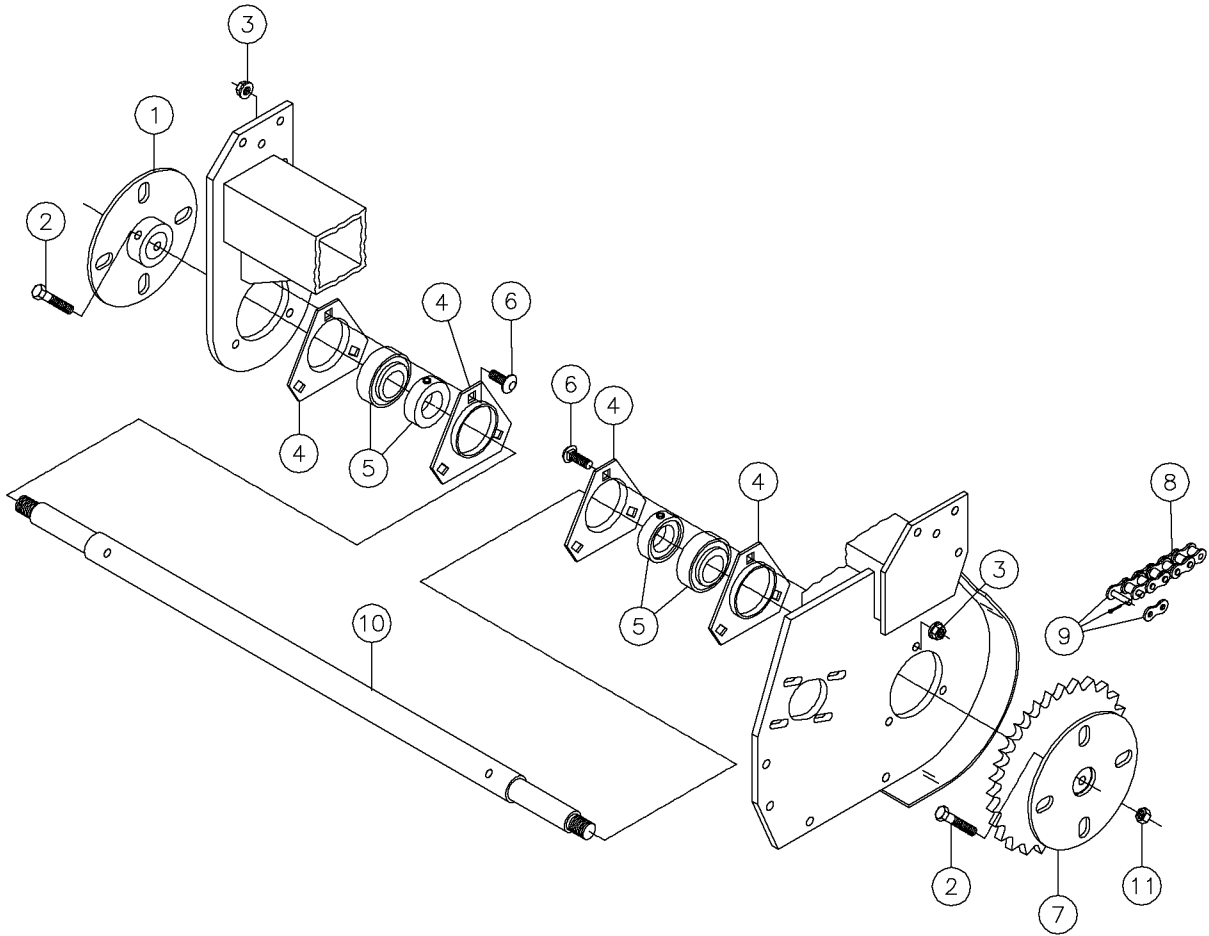
Cutter Wheel Boom Fig 1-4r01



Cutter Wheel Boom Fig 1-4r01

REF. NO.	*	PART NO.	DESCRIPTION	QTY.	REMARKS
1		126464003	BOOM ASSY-CUTTER WHEEL	1	Inc. Ref. No's 10 & 15
2		597001	ZERK-1/4" NF 90 DEG GREASE	1	
3		4474010	BOLT-5/16-18X1 FLG.WHIZ PLATED	4	
4		109287001	BELT SHIELD BRACKET, FRONT	1	
5		1809007	NUT - 5/16-18 SM.FLGE.T.L.	4	
6		109286001	BELT SHIELD BRACKET, REAR	1	
7		422001	NUT-1/2 NC HEX JAM	2	
8		550034	SQ HSS-1/2-13X3 1/2	1	
9		7000A615	DECAL-DANGER (ENV.)	1	
10		109253001	CUTTERWHEEL GUARD-TUBE ASSY	1	
11		107207001	BEARING-GARMAX 1.25ODX1ID-.75	2	
12		7000B119	DECAL-PATENT	1	
13		550020	SQ HSS-1/2-13X2	1	
14		151808001	CAP - GREASE	1	
15		1325161	*RND.BAR (1018)-3/4"-26.75O	1	

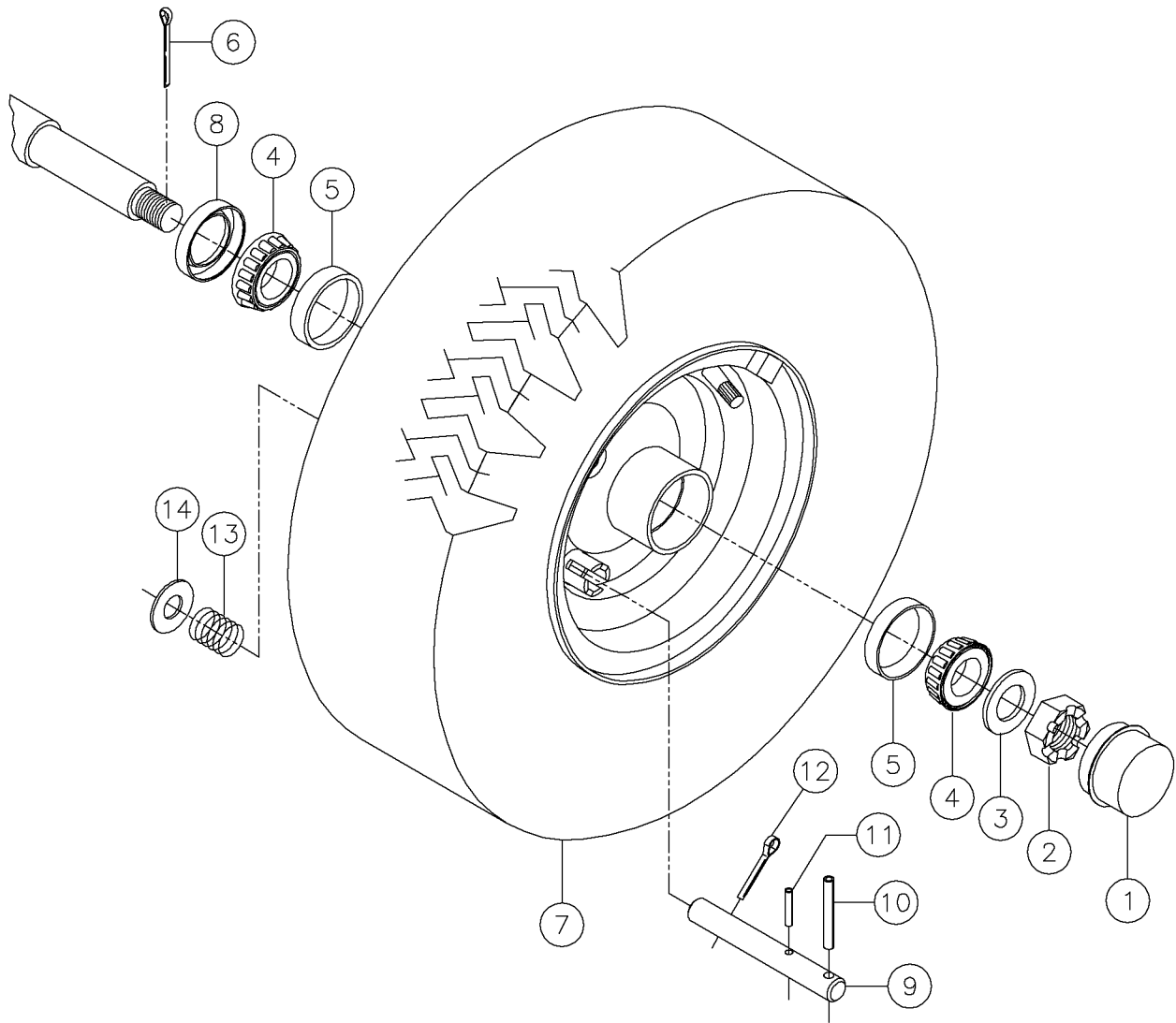
Axle Fig 1-5



Axle Fig 1-5

REF. NO.	*	PART NO.	DESCRIPTION	QTY.	REMARKS
1		107271001	COLLAR, WHEEL LOCK, RIGHT	1	
2		149354001	SHOULDER SCREW - 3/8 X 2	2	
3		1809003	NUT-3/8 SM FLGE T.L.	6	
4		14174001	FLANGETTE-1 1/4 72MM	4	
5		4052001	BRG 1 1/4 SPHER-RA104RRB W/COL	2	
6		375010	BOLT-3/8"-16X1"GD#5 CARRIAGE	6	
7		107270001	COLLAR, WHEEL LOCK, LEFT	1	
8		1776050	CHAIN-50-1 RC 50 PITCHES	1	Inc. Ref. No. 9
		1769003	ROLLER LINK - 50-1 PKGD	1	
		1773003	CONN. LINK - 50-1 SF PKGD	1	
9		1769003	ROLLER LINK - 50-1 PKGD	1	
10		113660001	AXLE-SHAFT STRESSPROOF	1	
11		409001	NUT-5/16 NC SLTL	2	

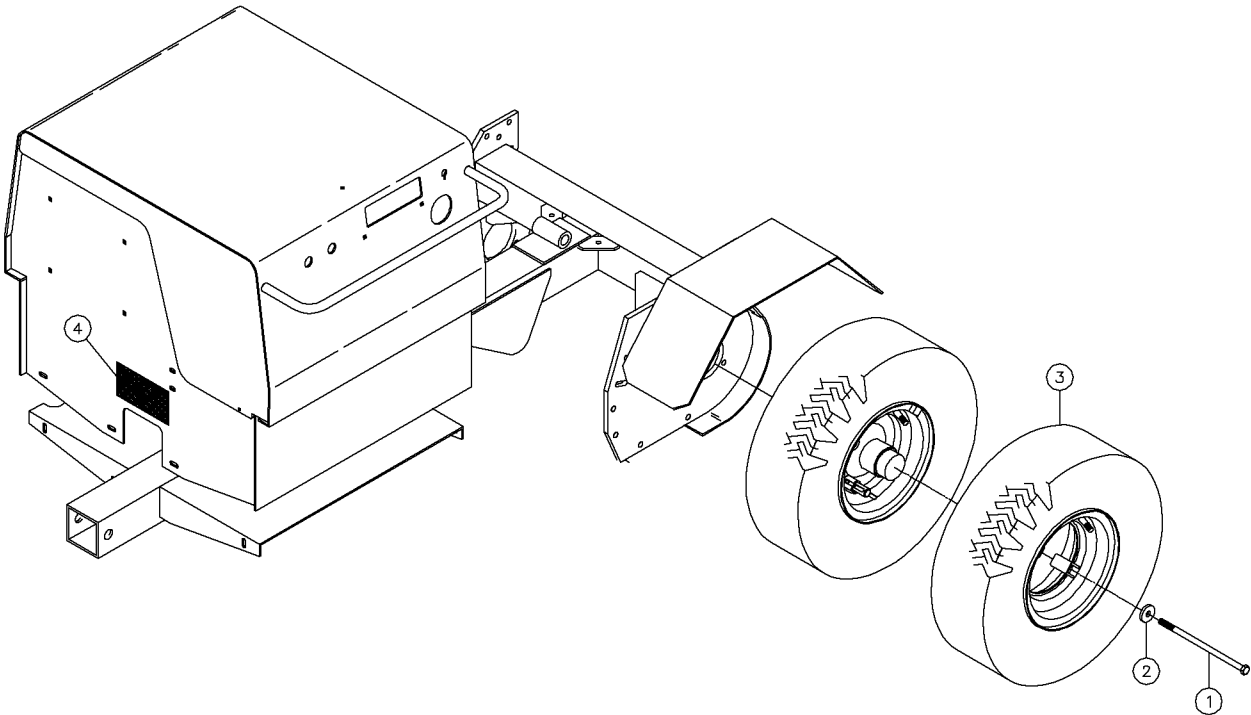
Tire - Wheel Fig 1-6r01



Tire - Wheel Fig 1-6r01

REF. NO.	*	PART NO.	DESCRIPTION	QTY.	REMARKS
		Revision Date	November, 2002		Due To Change In Part Marked With A *.
1		126457013	DUST CAP	2	
2		458001	NUT-3/4 N.F. SLOTTED HEX	2	
3		70074001	WASHER-1 7/16ODX13/16ID HARDEN	2	
4		126457007	BEARING CONE	4	
5		126457009	BEARING CUP (RACE)	4	
6	*	510015	COTTER PIN-5/32 X 1 1/4	2	
7		126458001	WHEEL ASSY 5.70X8 RIGHT INNER	1	
		126457001	WHEEL ASSY 5.70X8 LEFT INNER	1	
		126457003	INNER WHEEL ONLY W/BRG RACES	2	Inc. Two Of Ref. 5
		126457011	5.70X8 TUBELESS TIRE ONLY	2	
		2250001	STEM- TR415 DILL VALVE	2	
8		126457005	SEAL	2	
9		109295001	PIN ASSY, WHEEL LOCK	2	Inc. One Ea. Of Ref. 10 & 11
10		1978013	1/4X2 ROLL PIN PF/CS-MED.DUTY	2	
11		1978011	PIN ROLL 3/16 X 1 ZINC	2	
12		510019	COTTER PIN-5/32" X 2"	2	
13		1803167	SPRING-COMP. .85IDX.068W-1.25	2	
14		485015	WASHER-5/8 FLAT	2	

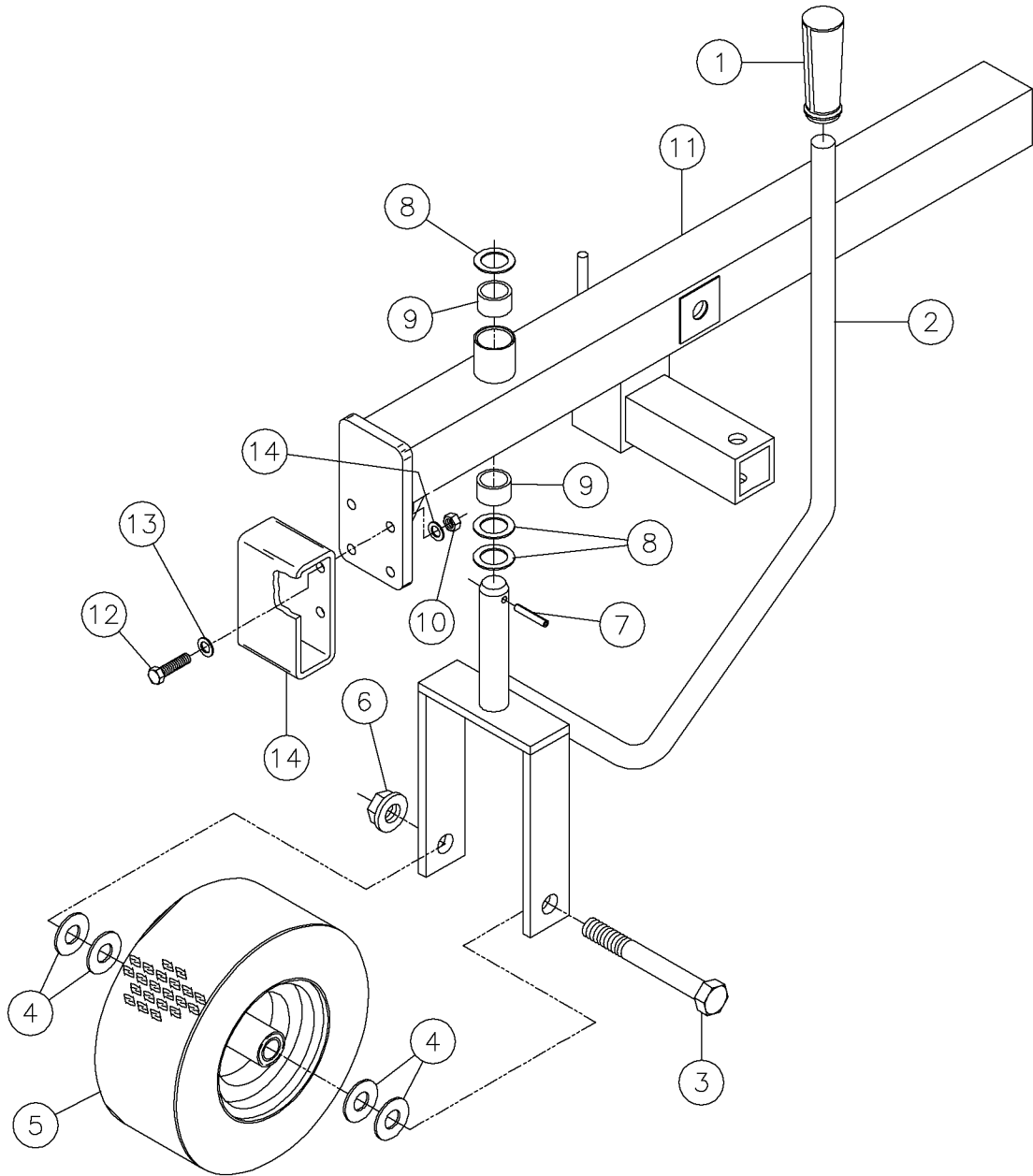
Dual Tire - Wheel Fig 1-7



Dual Tire - Wheel Fig 1-7

REF. NO.	*	PART NO.	DESCRIPTION	QTY.	REMARKS
1		354084	BOLT-3/8-16 X 8 1/2 HHCS ZN	4	
2		130323001	SLUG,3/16 X 13/32-1 1/4	4	
3		126460001	WHEEL ASSY-5.70X8 RIGHT OUTER	1	
		126459001	WHEEL ASSY 5.70X8 LEFT OUTER	1	
		126459003	OUTER WHEEL ONLY	2	
		126457011	5.70X8 TUBELESS TIRE ONLY	2	
		2250001	STEM- TR415 DILL VALVE	2	
4		7000A396	DECAL - WARNING 252SC	1	

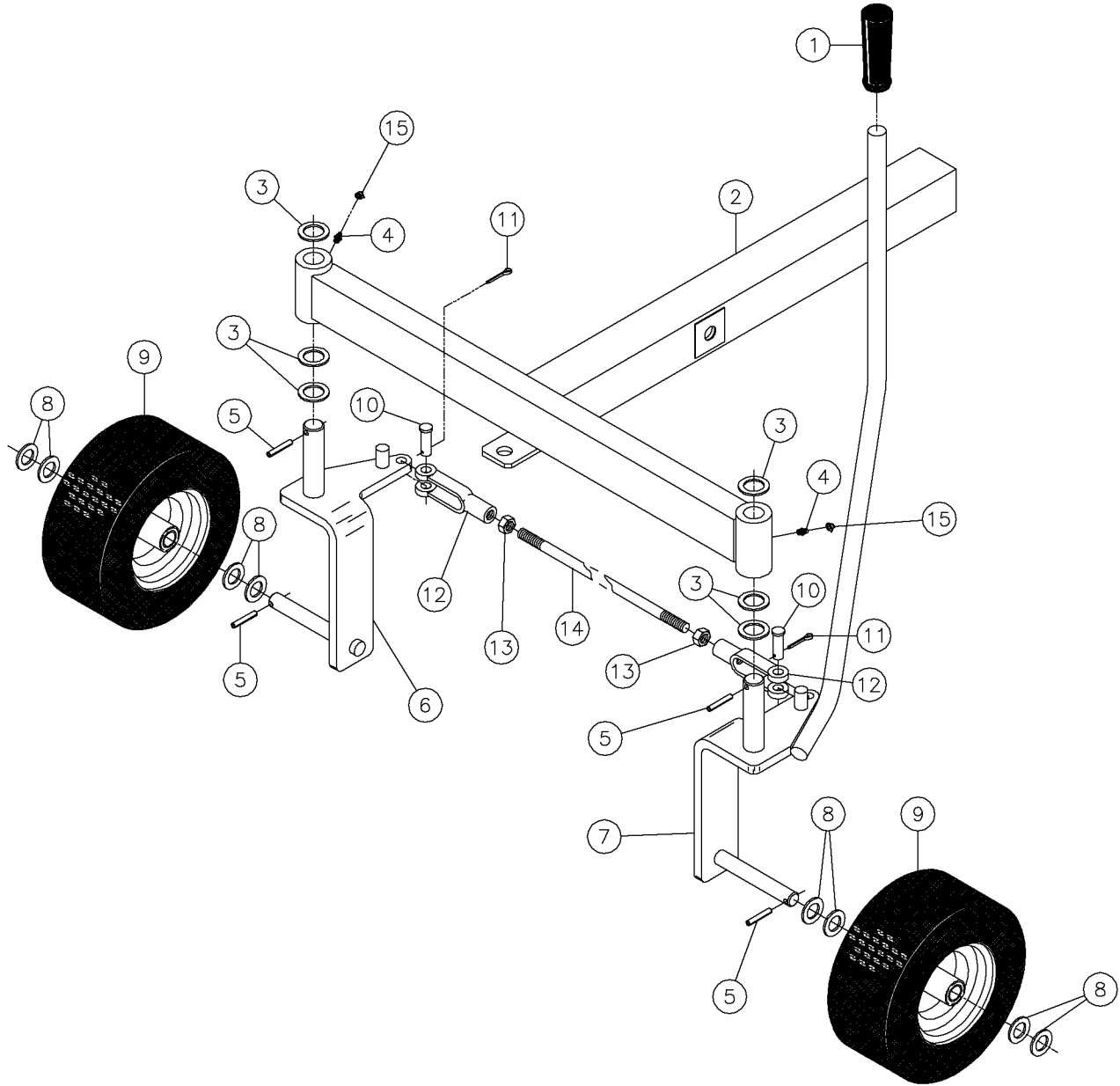
Inn Tongue & Single Caster Wheel Fig 1-8r01



Inn Tongue & Single Caster Wheel Fig 1-8r01

REF. NO.	*	PART NO.	DESCRIPTION	QTY.	REMARKS
		Revision Date	November, 2002		Due To Chagne In Hardware Marked With A *
1		109276001	HANDLE GRIP-7/8"W/O FINGERGRIP	1	
2		126359001	CASTER WHEEL MOUNT AND HANDLE	1	
3		369064	BOLT-3/4-10X 6 1/2"GRADE#5HEX	1	
4		485017	WASHER-3/4 FLAT	4	
5		152502001	TIRE ASS'Y-410X360X6.00 2PLY W/RIM	1	
		126425003	RIM WITH ZERK	1	
		126425005	TIRE-410/350X6 2PLY W/TUBE	1	
		126425007	BEARING - 3/4"	2	
6		1809011	NUT - 3/4-10 SM FLGE. TL.	1	
7		1788001	PIN - EXPANSION 1/4 X 1 1/2 ZINC	1	
8		483005	WASHER-1 1/2X1X14 GA M.B.	3	
9		107207001	BEARING-GARMAX 1.25ODX1ID-.75	2	
10		15289001	NUT-3/8-16NC SLTL GRADE 8	4	
11		126358001	FRONT TONGUE ASSY	1	Inc. Ref. 9
12		235723001	SCREW - HCS -.38 - 16 X 1.50 - GR8 - YZ	4	
13		99397001	WASHER-3/8 HARDEN ASTM-A325	8	
14		113662001	TUBE, HITCH	1	

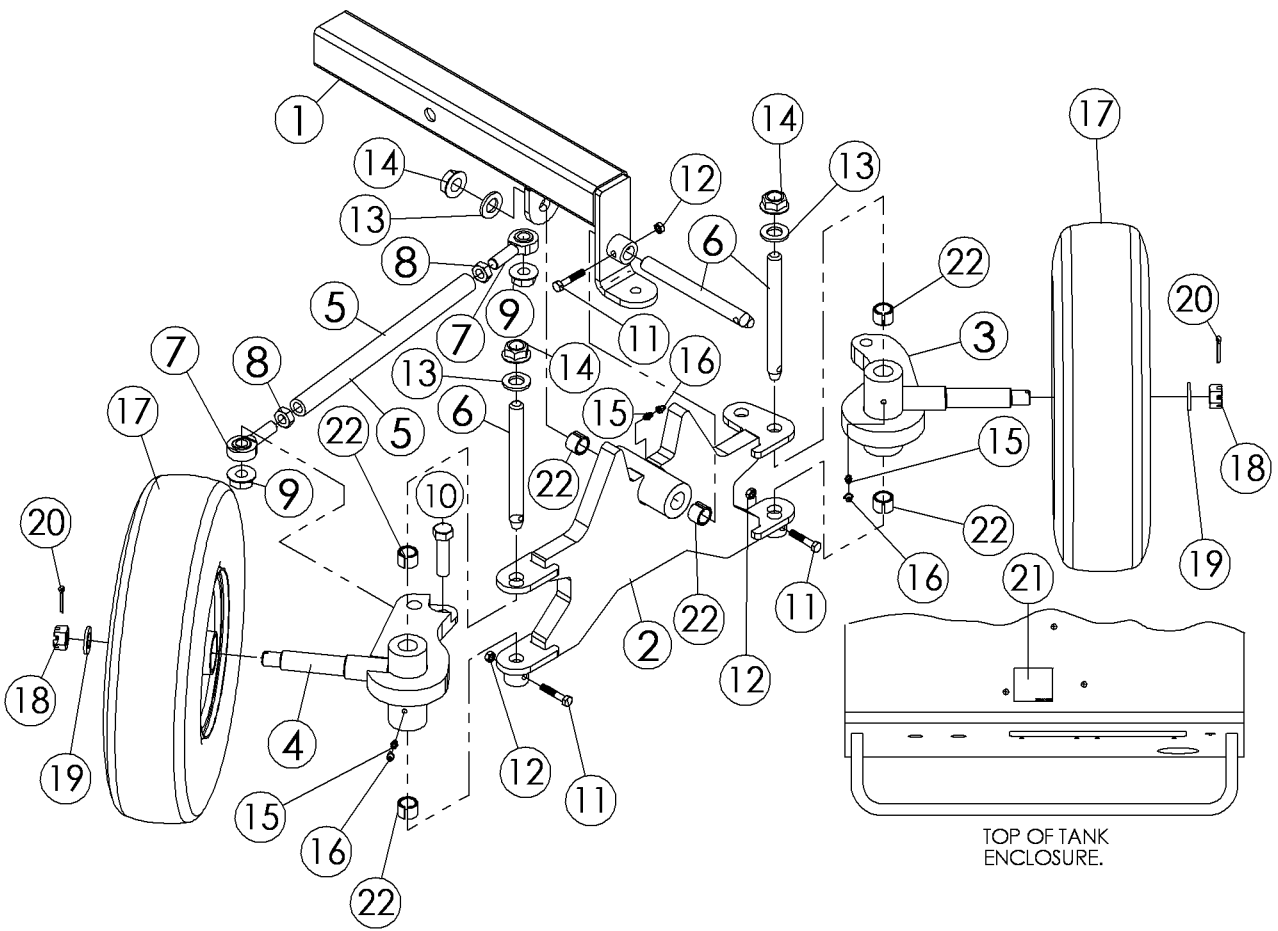
Inn Tongue & Double Caster Wheel Fig 1-9



Inn Tongue & Double Caster Wheel Fig 1-9

REF. NO.	*	PART NO.	DESCRIPTION	QTY.	REMARKS
1		109276001	HANDLE GRIP-7/8"W/O FINGERGRIP	1	
2		130324003	TONGUE ASSY-INNER	1	Inc. Ref. No's 4 & 15
3		483005	WASHER-1 1/2X1X14 GA M.B.	6	
4		598001	ZERK-1/4" NF ST GREASE	2	
5		1788001	PIN - EXPANSION 1/4 X 1 1/2 ZINC	4	
6		130326001	KING PIN ASSY-RIGHT	1	
7		130325001	KING PIN ASSY-LEFT	1	
8		85979001	WASHER-3/4"HARDEN ASTM-A325	8	
9		152502001	TIRE ASS'Y-410X360X6.00 2PLY W/RIM	2	
		126425003	RIM WITH ZERK	2	
		126425005	TIRE-410/350X6 2PLY W/TUBE	2	
		126425007	BEARING - 3/4"	4	
10		2110025	PIN-CLEVIS 1/2X1 3/8-1 3/16 UL	2	
11		510009	COTTER PIN-1/8" X 1"	2	
12		2872001	YOKE-8N300A1/2"-1/2" PIN	2	
13		451001	NUT-1/2 N.F. HEX	2	
14		130318001	TIE ROD	1	
15		151808001	CAP - GREASE	2	

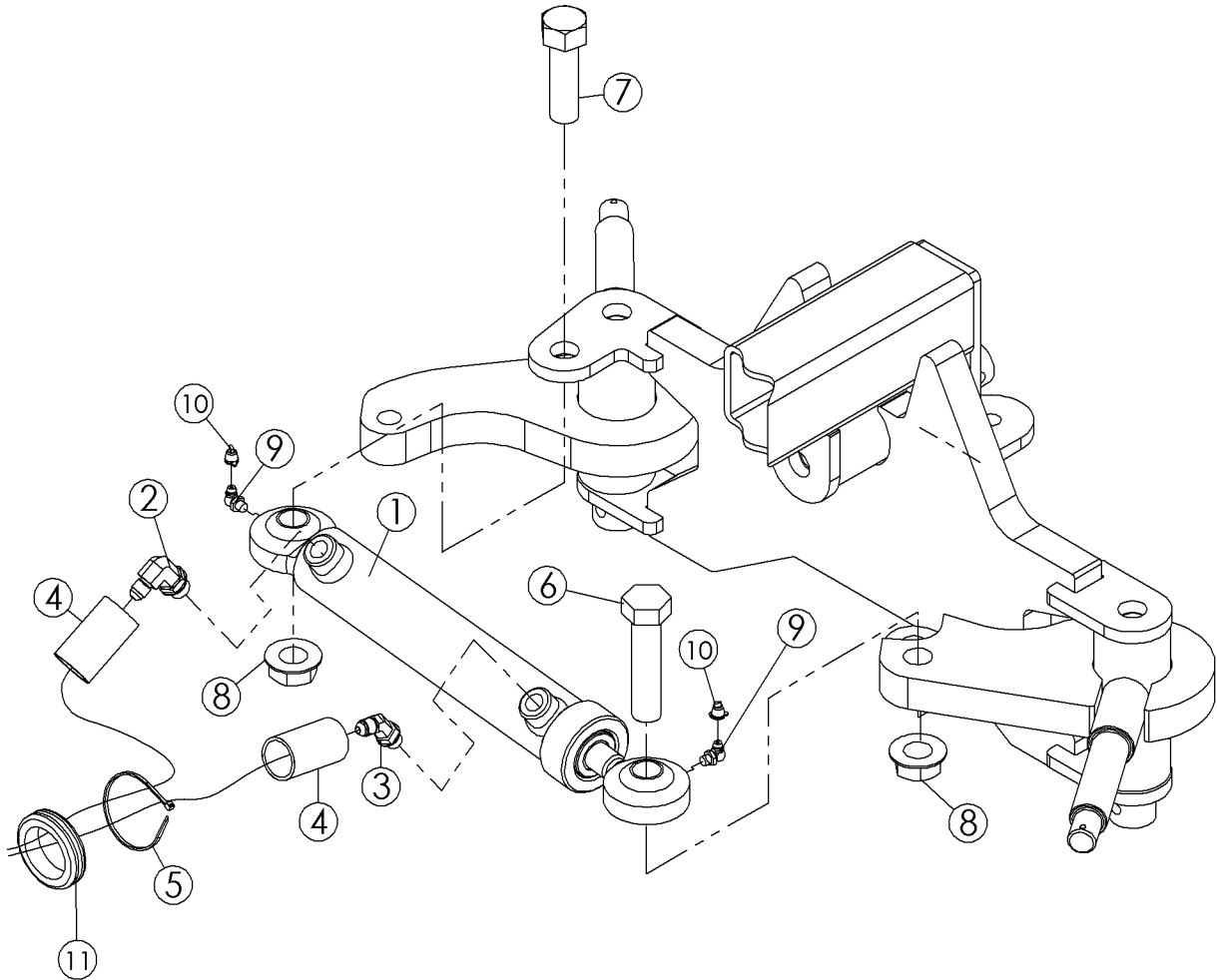
Axle - Hydraulic Steer Fig 1-9x01



Axle - Hydraulic Steer Fig 1-9x01

REF. NO.	*	PART NO.	DESCRIPTION	QTY.	REMARKS
		Revision Date	February, 2004		Addition To Manual
1		180007101	DRAWBAR	1	
2		180007106	AXLE	1	Inc. Two Of Ref. 22
3		180007111	RIGHT SPINDLE	1	Inc. Two Of Ref. 22
4		180007114	LEFT SPINDLE	1	Inc. Two Of Ref. 22
5		163621985	TUBE - TIE ROD	1	
6		180007116	KING PIN	3	
7		155525001	ROD END - 5/8" MALE SPERICAL	2	
8		75388001	NUT-5/8-UNF GR.8 HEX JAM	2	
9		1809013	NUT-5/8-11 SM.FLGE.T.L.PLATED	2	
10		366024	5/8-11X 2 1/2"GRADE#5HEX BOLT	2	
11		351016	SCREW-HCS-.31-18X1.75-GR5-CZ	3	
12		409001	NUT-5/16 NC SLTL	3	
13		235717001	WASHER-FLATSTRL-.75-.81X1.47-.15-YZ-A325	3	
14		1809011	NUT-SMFLGTL-.75-10-G-CZ	3	
15		598001	FITTING-1/4" NF ST GREASE ZERK	3	
16		151808001	GREASE CAP	3	
17		163621989	WHEEL ASSEMBLY-5.80X8 W/BRG.	2	Breakdown Fig. 1-9x02
18		7000C233	DECAL - SC STEERING	1	
19		458001	NUT-3/4 N.F. SLOTTED HEX	2	
20		70074001	WASHER-1 7/16ODX13/16ID HARDEN	2	
21		510015	COTTER PIN - .156 x 1.250	2	
22		1835003	BSHG-1ODX3/4ID-3/4	6	

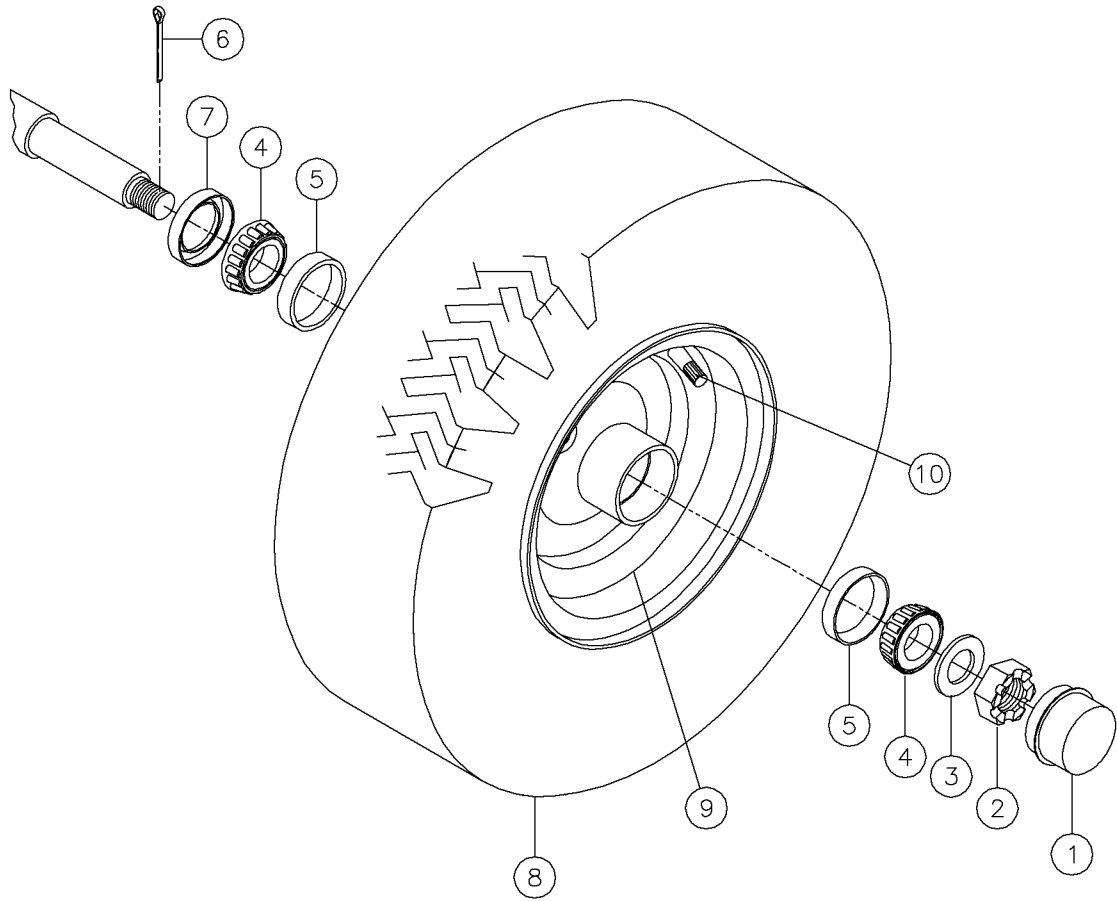
Steering Cylinder Fig 1-9x02



Steering Cylinder Fig 1-9x02

REF. NO.	*	PART NO.	DESCRIPTION	QTY.	REMARKS
		Revision Date	September, 2004		Addition To Manual
1		163621870	CYLINDER 1 1/2X8 1/2	1	
2		57950001	FITTING-90-4MJ-6MORBA	1	
3		82931001	FITTING-45-4MJ-6MORBA	1	
4		279266001	CORDURA SLEEVE-.090WALL 1.00ID	2	
5		78657001	STRAP-CABLE TIE 4" T18R	3	
6		180007621	BOLT-3/4-10X3 1/4 HEX GR5 (PATCH)	1	
7		180007603	3/4-10X2 1/2" GRADE#5 HEX BOLT (PFCN)	1	
8		1809011	NUT-SMFLGTL-.75-10-G-CZ	2	
9		597001	ZERK-1/4" NF 90 DEG GREASE	2	
10		151808001	GREASE CAP	2	
11		1865009	GROMMET - 2875	1	
12		180007114	LEFT SPINDLE	1	
13		180007111	RIGHT SPINDLE	1	
14		180007106	AXLE	1	
15		180007101	DRAWBAR	1	

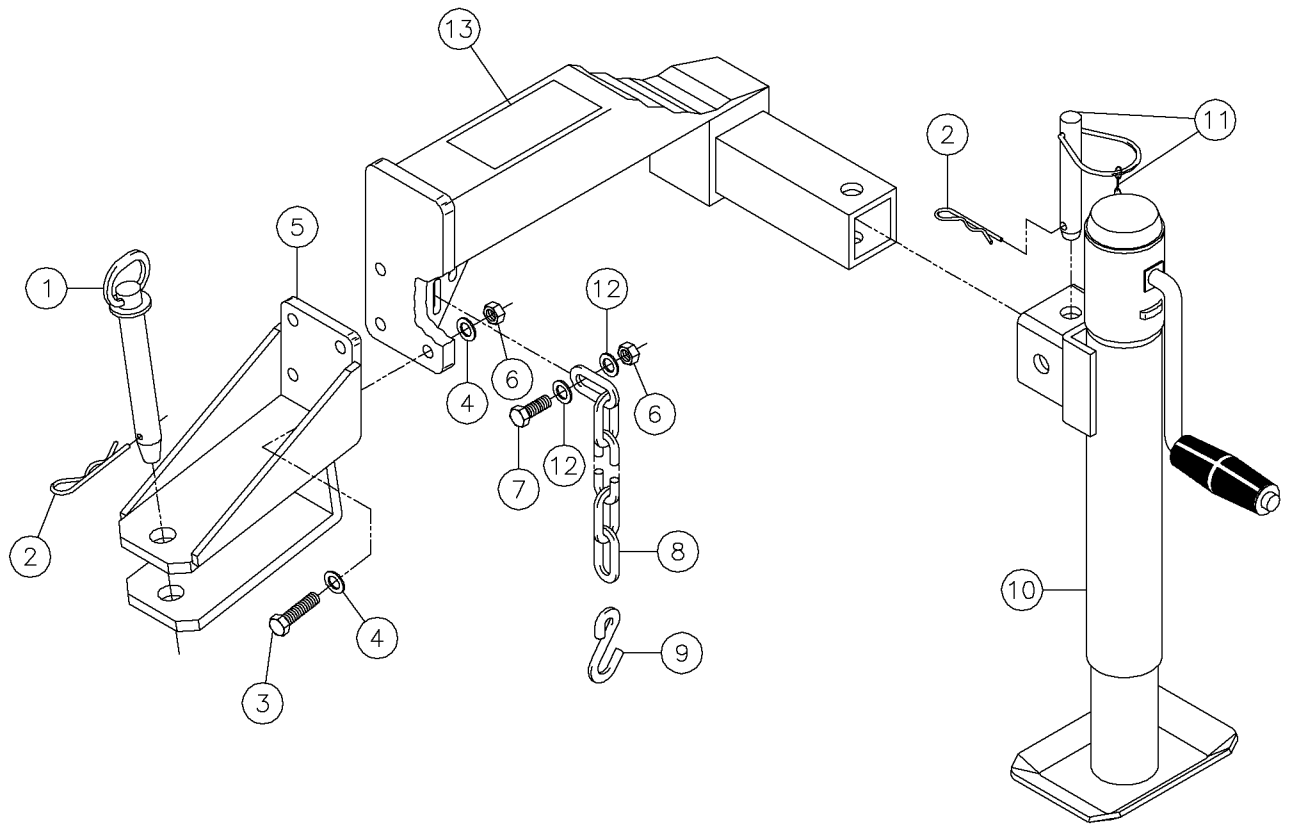
Wheel-5.80x8 W/brg. Fig 1-9x03



Wheel-5.80x8 W/brg. Fig 1-9x03

REF. NO.	*	PART NO.	DESCRIPTION	QTY.	REMARKS
		Revision Date	February, 2004		Addition To Manual
1		126457013	DUST CAP	2	
2		458001	NUT-3/4 N.F. SLOTTED HEX	2	
3		70074001	WASHER-1 7/16ODX13/16ID HARDEN	2	
4		126457007	BEARING CONE	4	
5		126457009	BEARING CUP (RACE)	4	
6		510015	COTTER PIN-5/32 X 1 1/4	2	
7		126457005	SEAL	2	
8		126457011	5.70X8 TUBELESS TIRE ONLY	2	
9		180007083	RIM	2	
10		2249001	STEM - VALVE	2	
		163621989	WHEEL ASSEMBLY - 570X8 W/BRG.		Inc. Two Of Ref. 5 & One Of Ref. 8,9,10

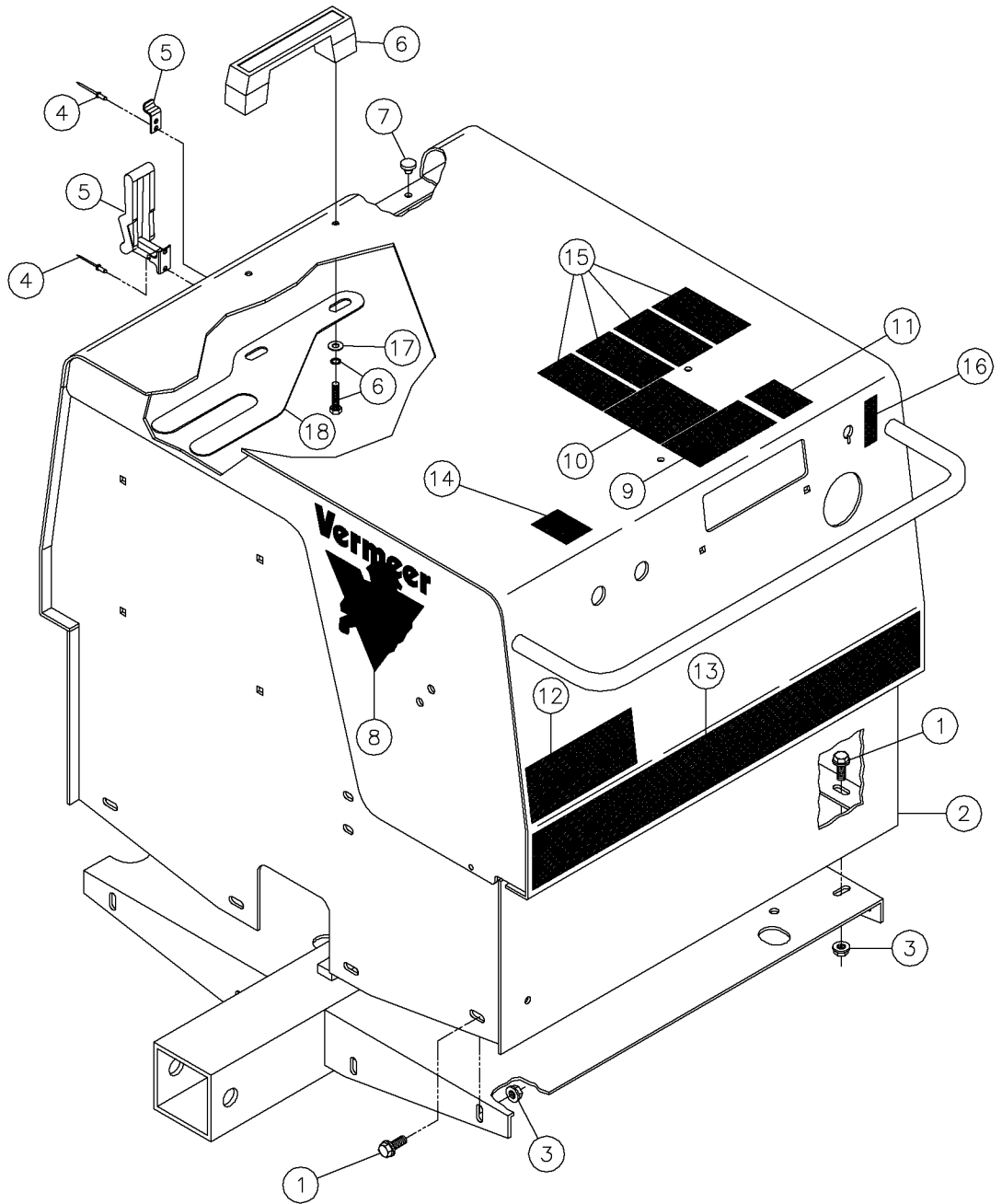
Towing Package Fig 1-10r01



Towing Package Fig 1-10r01

REF. NO.	*	PART NO.	DESCRIPTION	QTY.	REMARKS
		Revision Date	November, 2002		Due To Change In Hardware And Correction To Chain Part Number. Items Are Marked With A *.
1		2107001	HITCH PIN - 3/4" X 4 1/2"	1	
2		1794003	HAIR PIN COTTER - .148 WIRE	2	
3	*	235723001	SCREW - HCS -.38 - 16 X 1.50 - GR8 - YZ	4	
4		99397001	WASHER-3/8 HARDEN ASTM-A325	8	
5		130340001	HITCH - TOWABLE	1	
6		15289001	NUT-3/8-16NC SLTL GRADE 8	2	
7		16114024	BOLT-3/8-16NCX2 1/2 HEXHEADGR8	2	
8	*	146637001	CHAIN - SAFETY	2	
9		86502001	HOOK-7/16 "S"	2	
10		147551001	JACK-SIDEWIND 2000#	1	
11		146684003	PIN & CHAIN ASSY-5/8	1	
12		127361001	WASHER-3/8 HARD.FLAT/PLATED	4	
13		70000901	DECAL-WARNING	1	
		146636001	SAFETY CHAIN WITH HOOK	1	Inc. Ref. 8 & 9

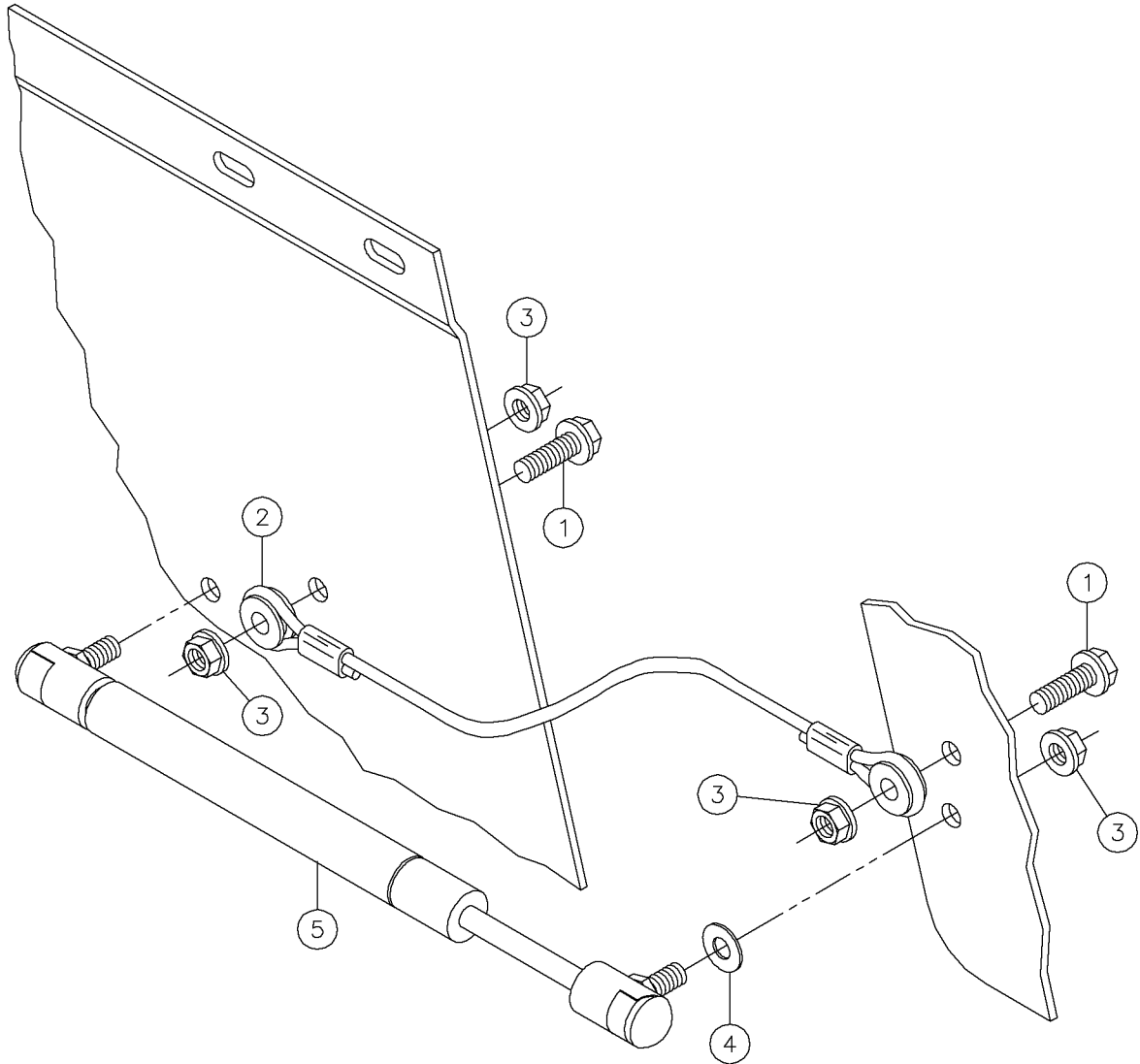
Control Module Fig 1-11r02



Control Module Fig 1-11r02

REF. NO.	*	PART NO.	DESCRIPTION	QTY.	REMARKS
1		4474006	BOLT-5/16-18X3/4 FLANGE WHIZ	8	
2		126361001	CONTROL MODULE WELDMENT	1	
3		408001	NUT	8	
4		547001	POP RIVET-SS44D	8	
5		140157001	LATCH-DRAW	1	
6		149858001	HANDLE - FEEDROLLER DOOR	1	
7		108889003	BUMPER-RUBBER GROMMET #711	2	
8		70000784	DECAL 6"VERMEER LOGO	1	
9		70000905	DECAL-CONTROLS	1	
10		7000C154	DECAL-SHUTDOWN PROCEDURE	1	
		700IC154	DECAL-SHUTDOWN PROCEDURE	1	
11		7000A018	DECAL-IMPORTANT	1	
12		7000A365	DECAL-MODEL 252	2	
13		70000774	DECAL 2 1/2"VERMEER STRIPE	A/R	Qty 1=1 Ft.
14		70000906	DECAL-GROUND DRIVE SPEED	1	
15		7000A582	DECAL - WARNING	1	
16		70000904	DECAL-CLUTCH CONTROL	1	
17		485003	WASHER-1/4 FLAT	2	
18		163551089	SPACER FORK	1	

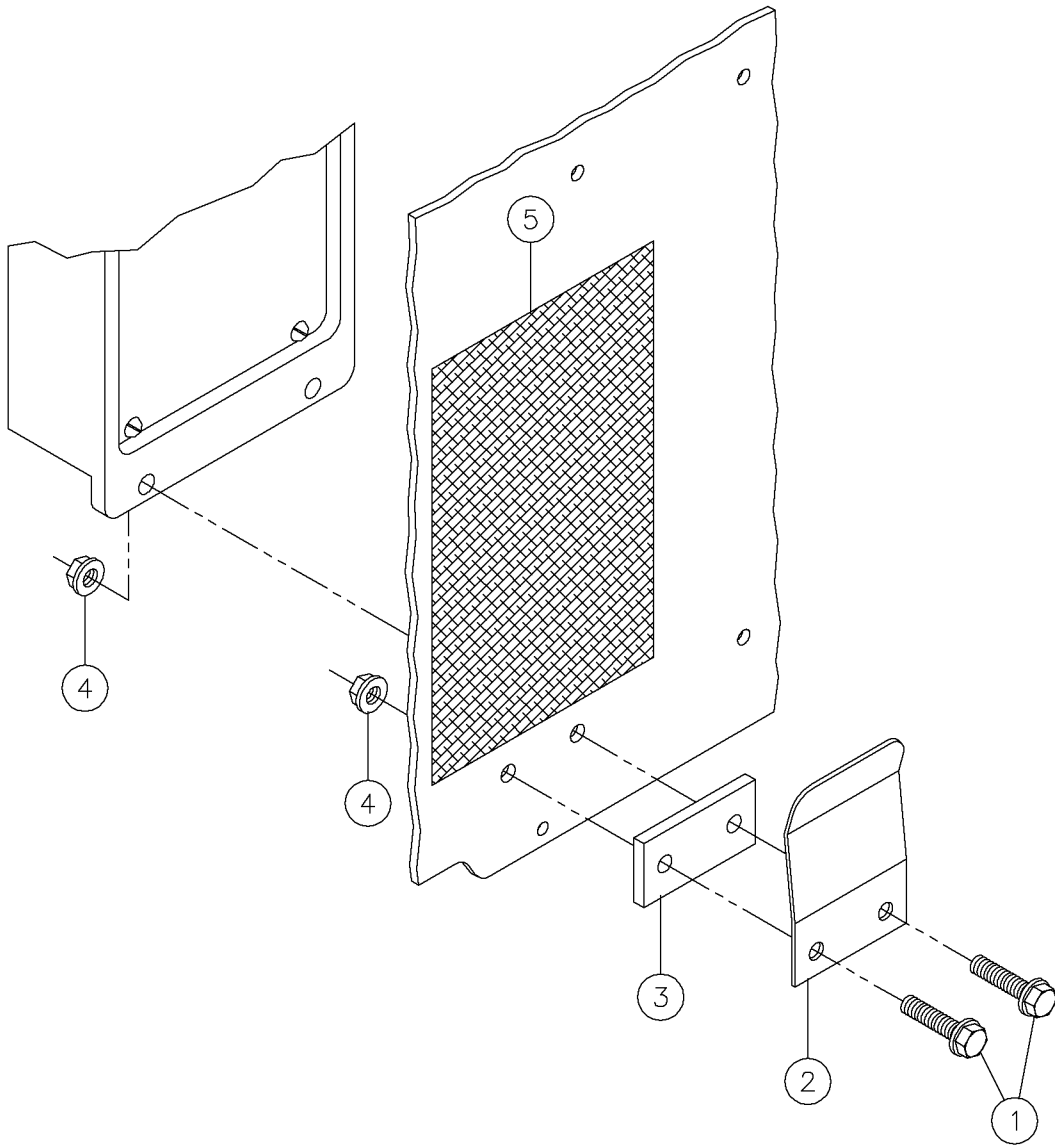
Control Module Cable & Air Spring Fig 1-12



Control Module Cable & Air Spring Fig 1-12

REF. NO.	*	PART NO.	DESCRIPTION	QTY.	REMARKS
1		4474006	BOLT-5/16-18X3/4 FLANGE WHIZ	2	
2		126424001	CABLE ASSY-1/8 COATED,13"LONG	1	
3		408001	NUT-5/16 NC FLG WHIZ LOCK	4	
4		485005	WASHER-5/16 FLAT	1	
5		126435001	SPRING-GASCYL.9.65EXT/3.15ST	1	

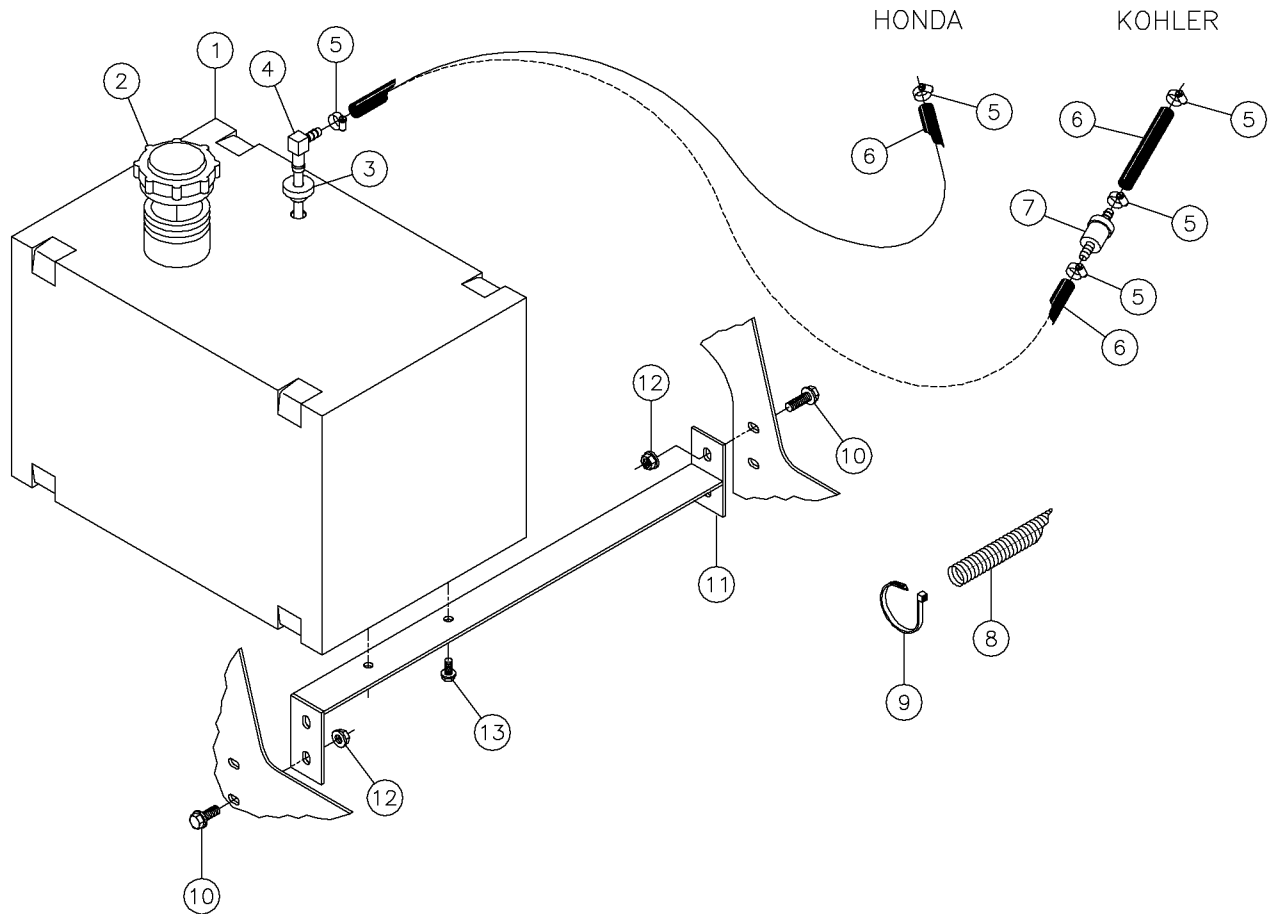
Transport Block Holder Fig 1-13r01



Transport Block Holder Fig 1-13r01

REF. NO.	*	PART NO.	DESCRIPTION	QTY.	REMARKS
1		507610025	*SCREW-HFS,M6-1.00X25,10.9,YZ,D6921,FT	2	
2		130331001	SPRING-TRANSPORT BLOCK HLDR	1	
3		130332001	BAR,TRANSPORT BLOCK HLDR	1	
4		507085006	*NUT-HEXFLNG LOCK,M6-1.00,10.9,YZ,D6927	2	
5		130334001	TAPE - .010THK X 4 WIDE HHMW	A/R	Specify Length

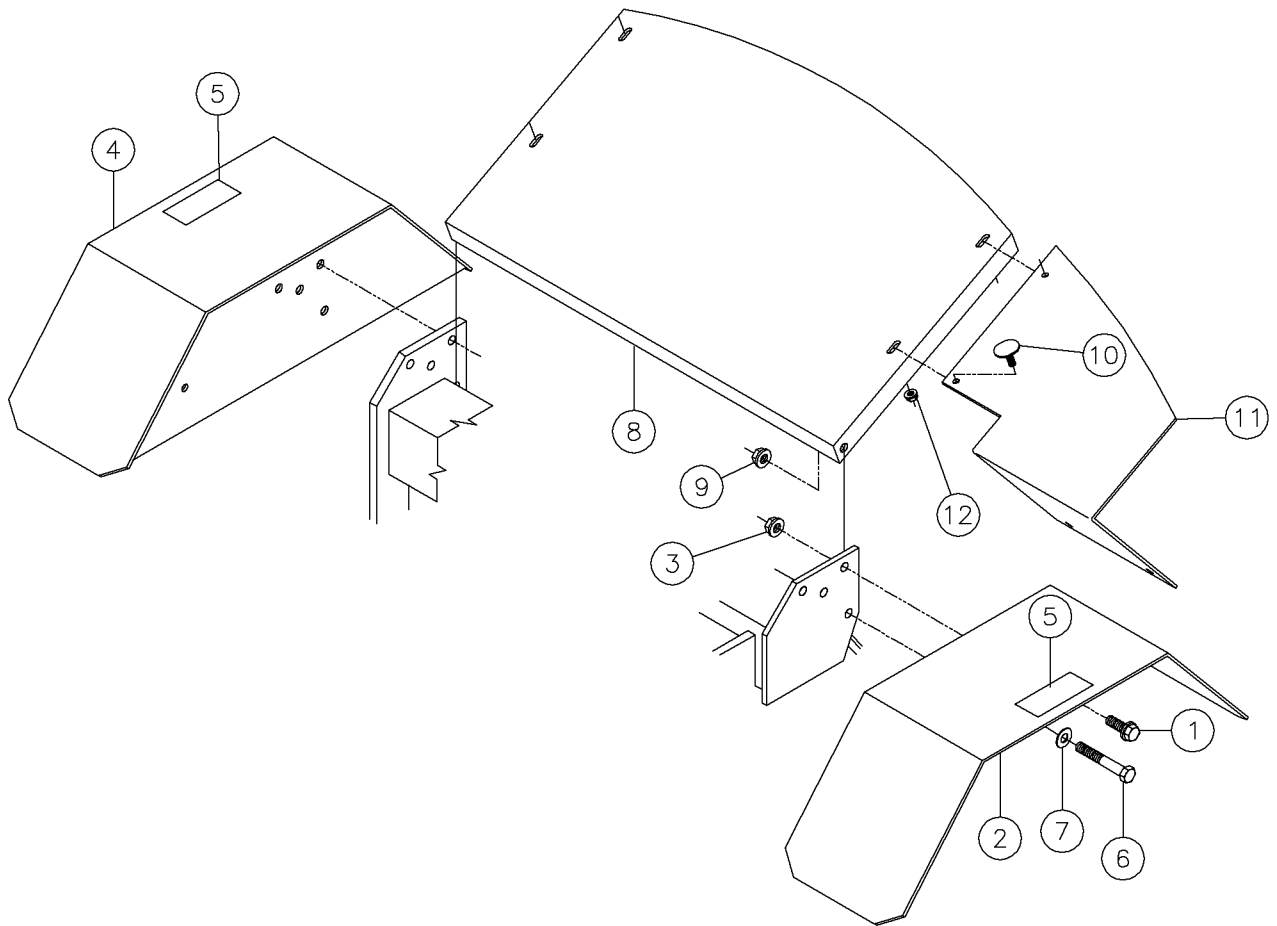
Fuel Tank Fig 1-14



Fuel Tank Fig 1-14

REF. NO.	*	PART NO.	DESCRIPTION	QTY.	REMARKS
1		126427001	TANK - 6 GAL. PLASTIC FUEL	1	
2		126427003	CAP-FUEL	1	
3		75925001	GROMMET-FUEL TUBE #10672	1	
4		126429001	FITTING - FUEL TUBE	1	
5		1578001	HOSE CLAMP - 1/4"	4	2 Pcs. Req. For Honda
6		619001	HOSE-1/4 I.D.GASOLINE&DIESEL	A/R	Specify Length
7		115185001	FILTER-FUEL	1	
8		86220001	LOOM-FLEX GARD HI TEMP 1/2 ID	A/R	Specify Length
9		78657001	STRAP-CABLE TIE 4" T18R	A/R	Specify quantity
10		4474006	BOLT-5/16-18X3/4 FLANGE WHIZ	4	
11		126362001	FUEL TANK MOUNT	1	
12		408001	NUT-5/16 NC FLG WHIZ LOCK	4	
13		4473004	1/4-20X1/2 FLGE WHIZ BOLT	4	

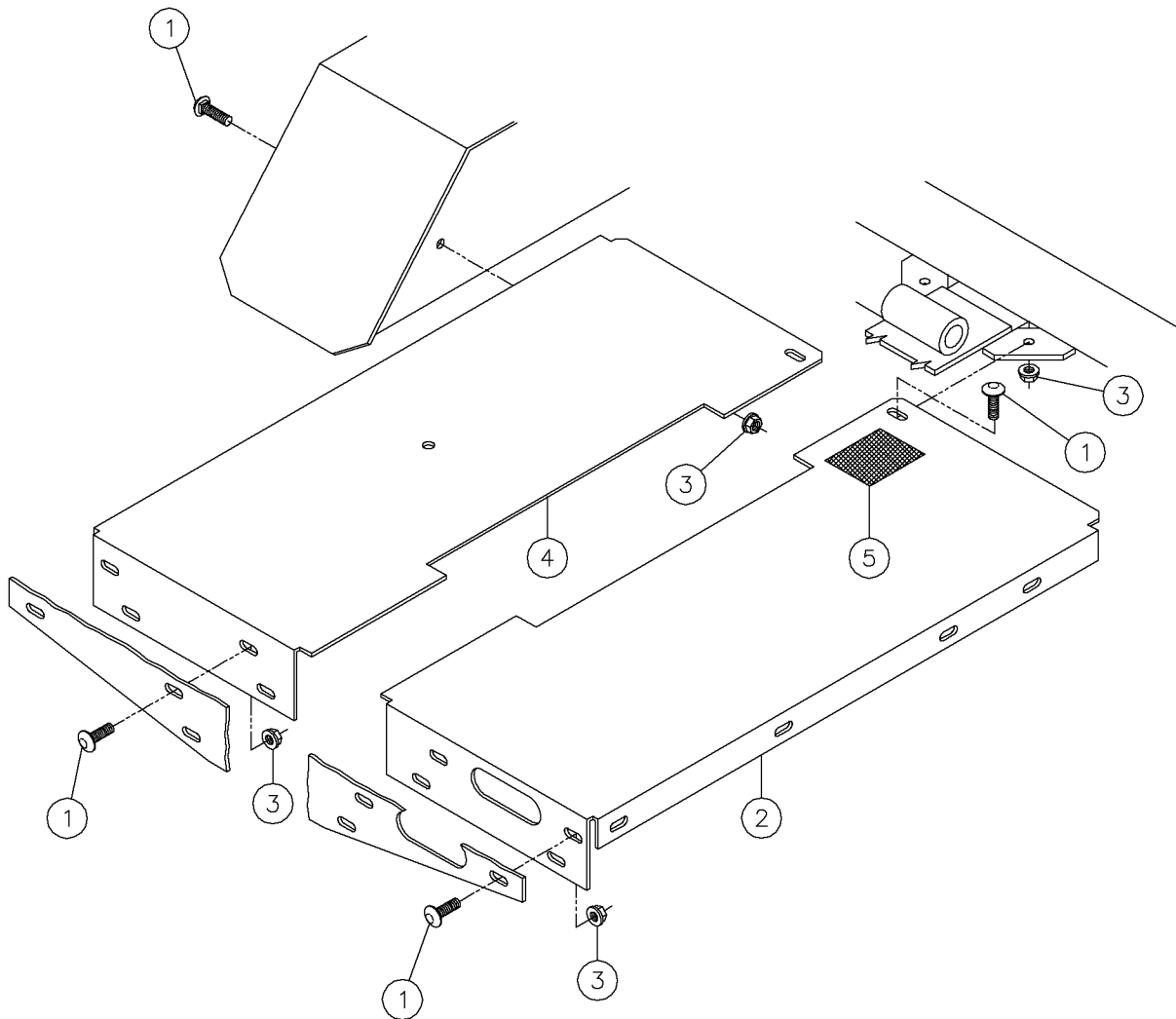
Fender & Cutter Wheel Boom Shield Fig 1-15r01



Fender & Cutter Wheel Boom Shield Fig 1-15r01

REF. NO.	*	PART NO.	DESCRIPTION	QTY.	REMARKS
		Revision Date	November, 2002		Due To Change In Hardware Marked With A *
1		4475010	BOLT-3/8-16X1 FLANGE WHIZ	6	
2		107302001	FENDER, LEFT	1	
3		4536001	NUT - 3/8-16 FLG. WHIZ LOCK	6	
4		107301001	FENDER, RIGHT	1	
5		70000902	DECAL-DRIVE WHEEL LOCK	2	
6		354030	BOLT-3/8-16X3"GRADE#5 HEX	2	
7	*	127361001	WASHER-3/8 HARD.FLAT/PLATED	2	
8		109230001	CHIP SHIELD, CUTTERWHEEL BOOM	1	
9		1809003	NUT-3/8 SM FLGE T.L.	2	
10		113551006	1/4-20X3/4 ELEVATOR BOLT	8	
11		109283001	CURTAIN-RUBBER	2	
12		405001	NUT-1/4 NC FLG WHIZ LOCK	8	

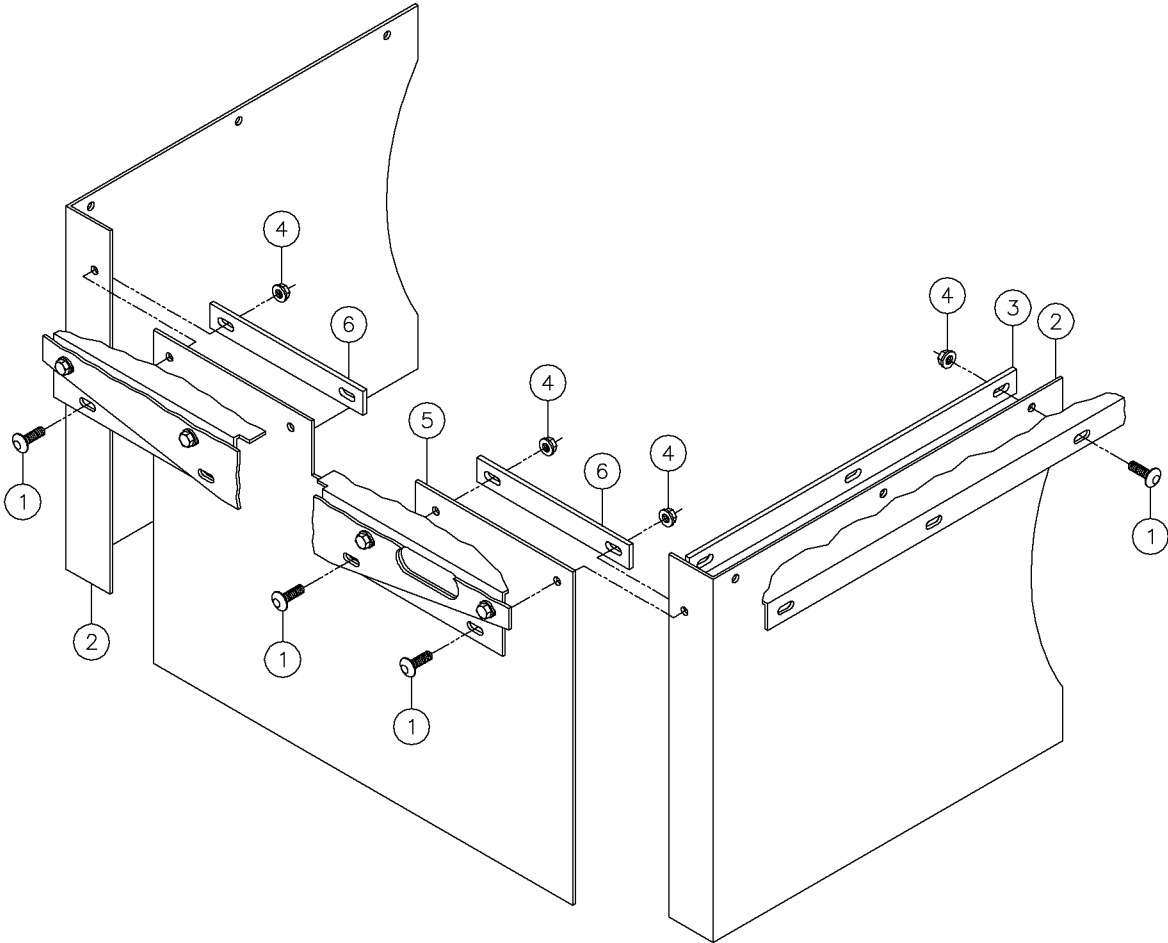
Side Chip Shields Fig 1-16



Side Chip Shields Fig 1-16

REF. NO.	*	PART NO.	DESCRIPTION	QTY.	REMARKS
1		16380010	BOLT-5/16-18X1 CARRIAGE GR. 5	8	
2		126383001	CHIP SHIELD, LEFT	1	
3		408001	NUT-5/16 NC FLG WHIZ LOCK	8	
4		126384001	CHIP SHIELD, RIGHT	1	
5		70000903	DECAL-SWING LOCK	1	

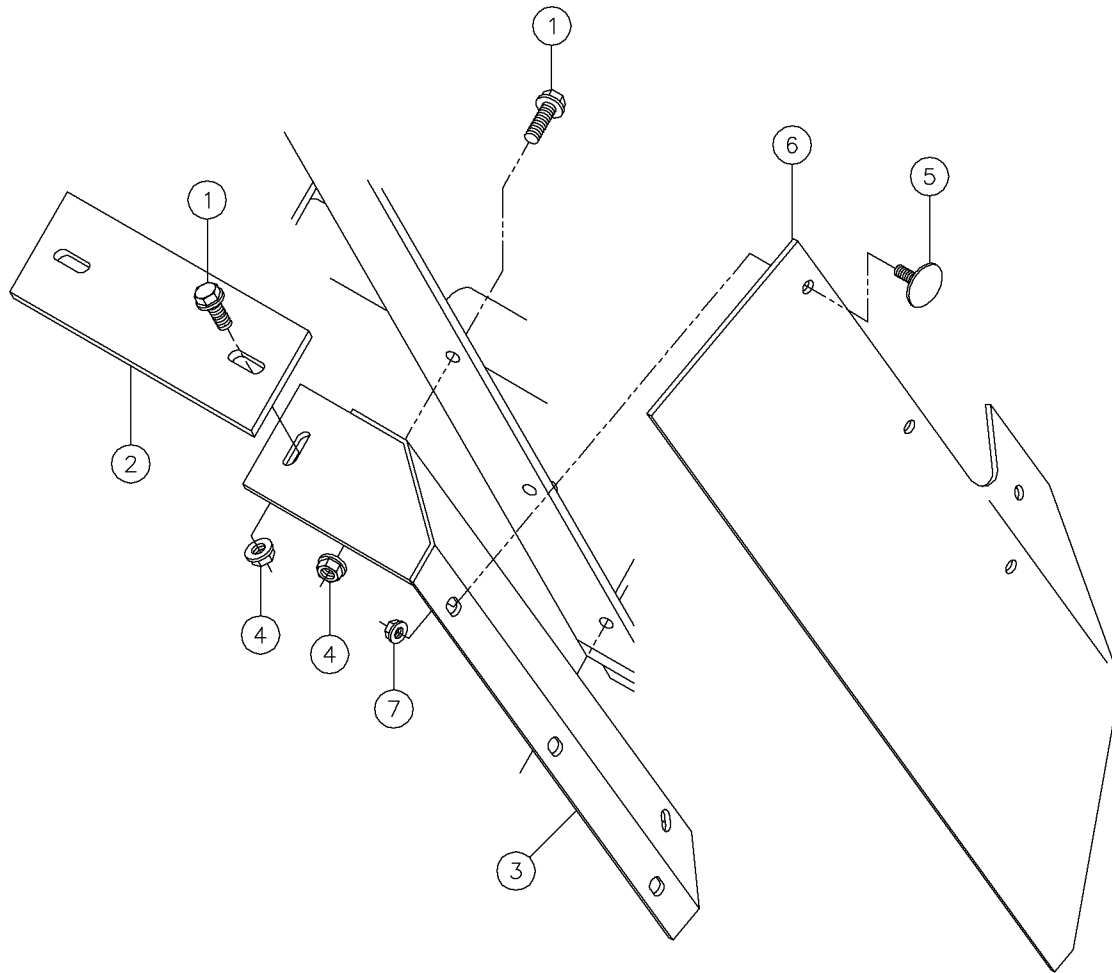
Side Curtain Fig 1-17



Side Curtain Fig 1-17

REF. NO.	*	PART NO.	DESCRIPTION	QTY.	REMARKS
1		16380010	BOLT-5/16-18X1 CARRIAGE GR. 5	10	
2		126419001	CURTAIN - SC252 RUBBER SIDE	2	
3		126417001	BAR, CHIP SHIELD SIDE	2	
4		408001	NUT-5/16 NC FLG WHIZ LOCK	10	
5		126426001	CURTAIN - SC252 RUBBER FRONT	1	
6		126418001	BAR, SHIP SHIELD FRONT	2	

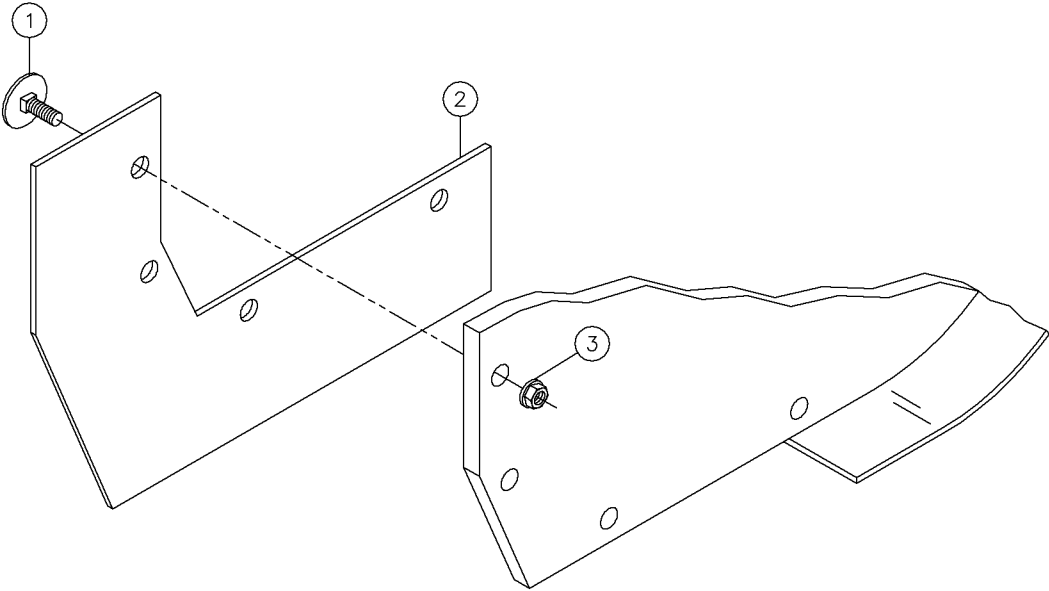
Rear Chip And Curtain Fig 1-18



Rear Chip And Curtain Fig 1-18

REF. NO.	*	PART NO.	DESCRIPTION	QTY.	REMARKS
1		4474006	BOLT-5/16-18X3/4 FLANGE WHIZ	8	
2		109300001	BAR, CHIP SHIELD	1	
3		109277001	CHIP SHIELD, RIGHT	1	
		109251001	CHIP SHIELD, LEFT	1	
4		1809007	NUT - 5/16-18 SM.FLGE.T.L.	8	
5		113551006	1/4-20X3/4 ELEVATOR BOLT	8	
6		109282001	CURTAIN-RUBBER	2	
7		405001	NUT-1/4 NC FLG WHIZ LOCK	8	

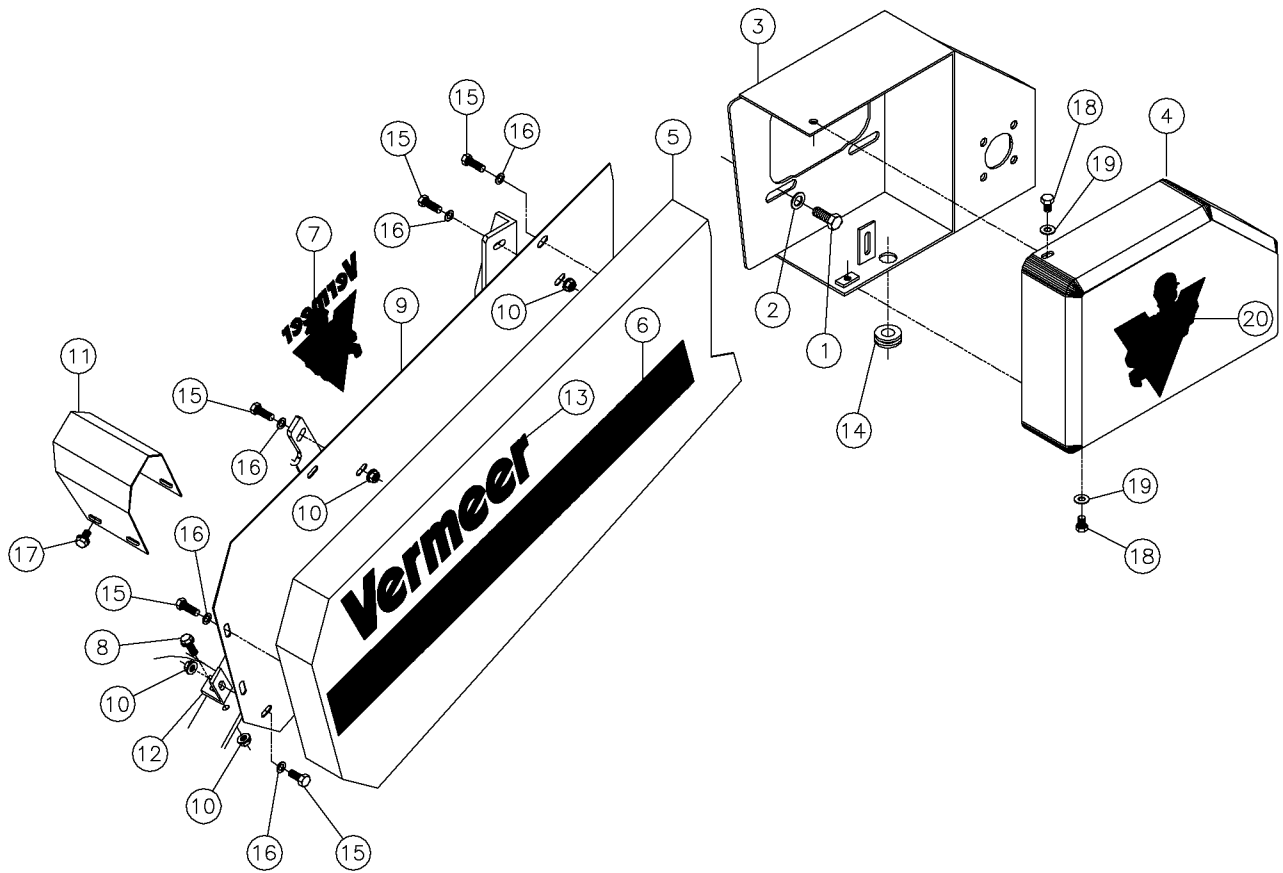
Deflector Curtain Fig 1-19



Deflector Curtain Fig 1-19

REF. NO.	*	PART NO.	DESCRIPTION	QTY.	REMARKS
1		113551006	1/4-20X3/4 ELEVATOR BOLT	4	
2		118138001	CURTAIN-RUBBER	1	
3		405001	NUT-1/4 NC FLG WHIZ LOCK	4	

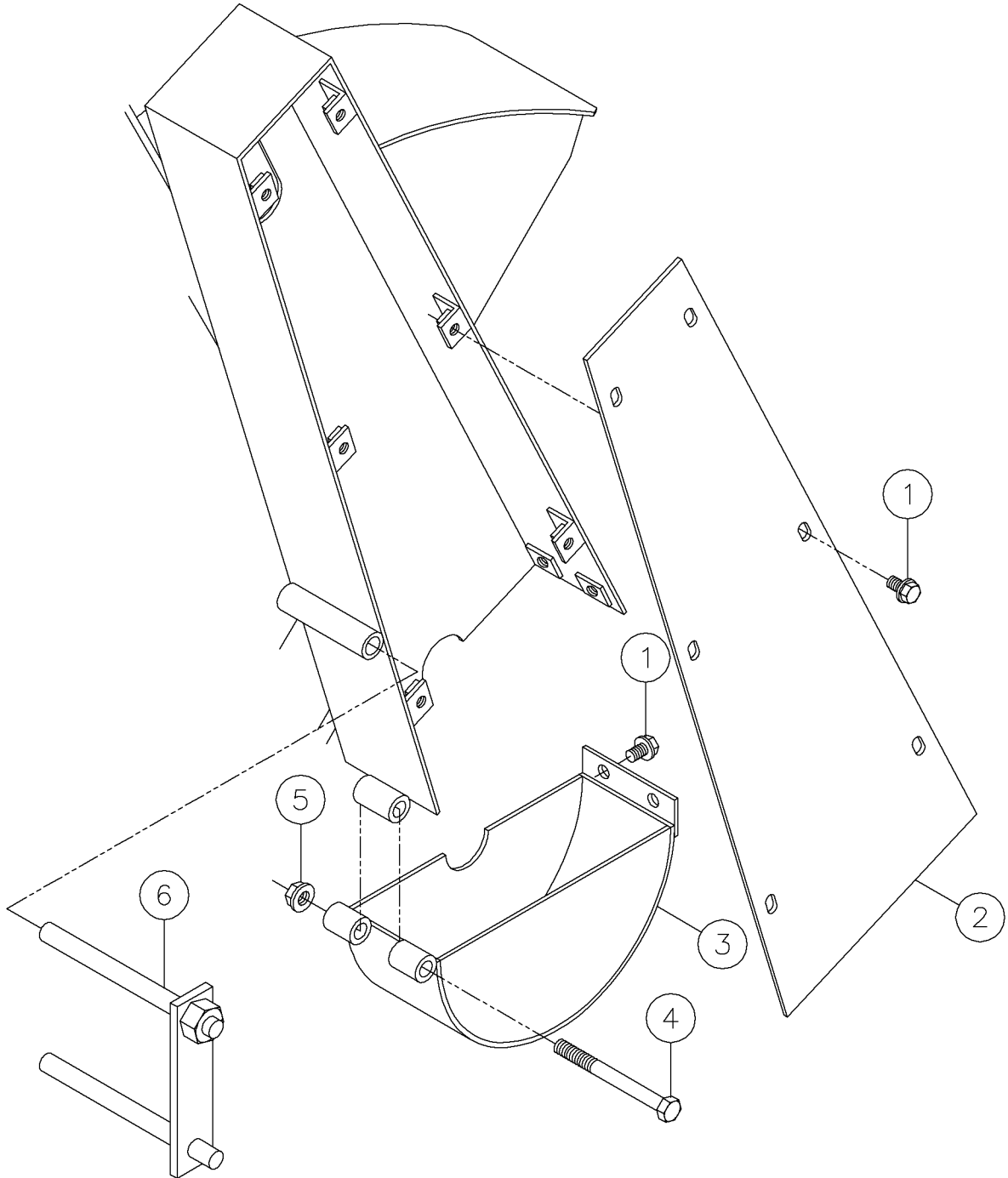
Belt And Clutch Shields Fig 1-20r01



Belt And Clutch Shields Fig 1-20r01

REF. NO.	*	PART NO.	DESCRIPTION	QTY.	REMARKS
		Revision Date	November, 2004		Update In Parts List.
1		357010	BOLT-7/16"-14X1" GRADE#5 HEX	4	
2		111738001	WASHER-7/16 HARDENED ASTM-A325	4	
3	*	163632765	PUMP MOUNT ASSEMBLY	1	
4	*	163620790	SHIELD, CLUTCH	1	
5	*	163632763	SHIELD, BELT COVER	1	
6		70000774	DECAL 2 1/2"VERMEER STRIPE	A/R	P/N Qty. Of 1 = 1 Foot
7		70000784	DECAL 6"VERMEER LOGO	1	
8		4474006	BOLT-5/16-18X3/4 FLANGE WHIZ	1	
9		109237001	SHIELD, BELT, INSIDE REAR	1	
10		1809007	NUT - 5/16-18 SM.FLGE.T.L.	6	
11		109294001	SHIELD, JACKSHAFT	1	
12		109312001	BAR-SHIELD BRACE	1	
13		2326619	DECAL- VERMEER 3 X 15	1	
14		81315001	GROMMET-#2763	1	
15		351006	BOLT - 5/16 - 18 X 3/4" GR5 HEX	10	
16		111535001	WASHER-5/16 HARDENED	10	
17		4474004	5/16-18X1/2 FLG WHIZ BOLT	4	
18		351004	5/16"-18X1/2"GRADE #5HEX BOLT	3	
19		485005	WASHER-5/16 FLAT	3	
20		7000A421	DECAL-8" LOGO W/OUT VERMEER	1	

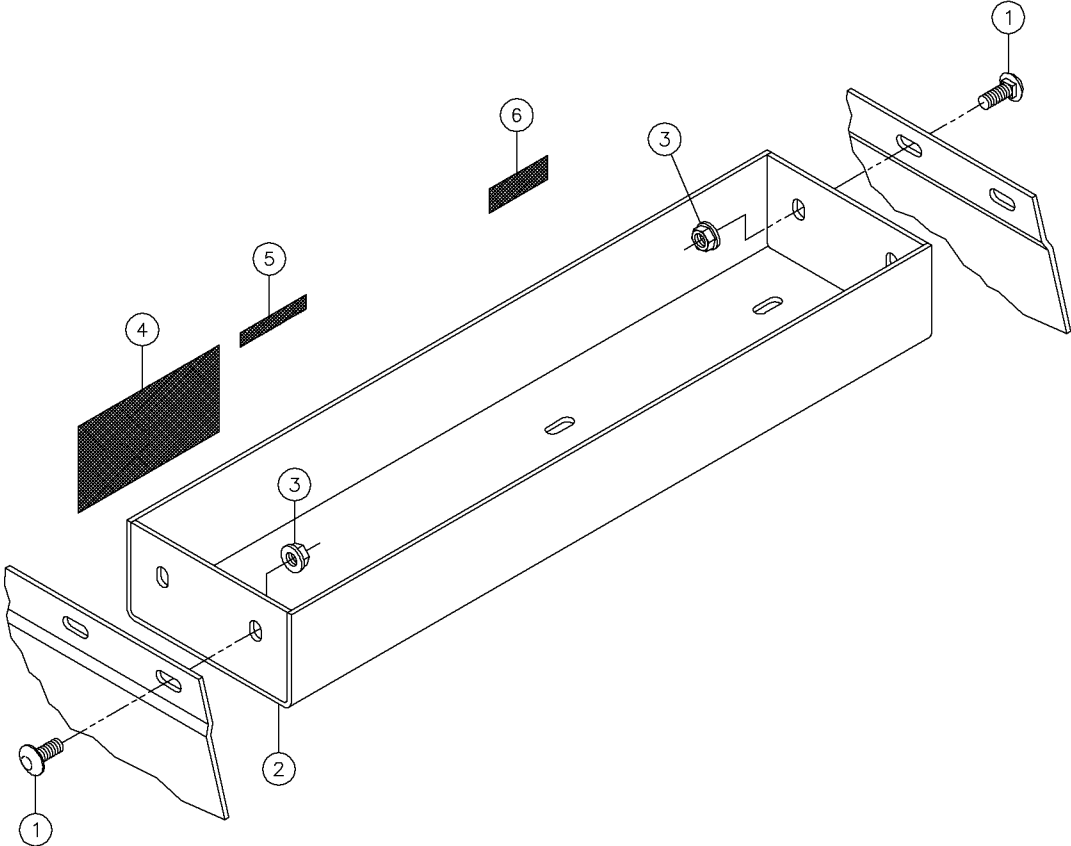
Polychain Case Door And Cover Fig 1-21



Polychain Case Door And Cover Fig 1-21

REF. NO.	*	PART NO.	DESCRIPTION	QTY.	REMARKS
1		4474004	5/16-18X1/2 FLG WHIZ BOLT REF 215952-295-1	8	
2		126467001	COVER, POLYCHAIN CASE	1	
3		107275001	DOOR, POLYCHAIN CASE	1	
4		354036	3/8-16X3 3/4"GRADE#5 HEX BOLT REF T10375	1	
5		1809003	NUT-3/8 SM FLGE T.L.	1	
6		130333001	*POLYCHAIN ADJUSTMENT TOOL	1	June, 2009 corrected part number.

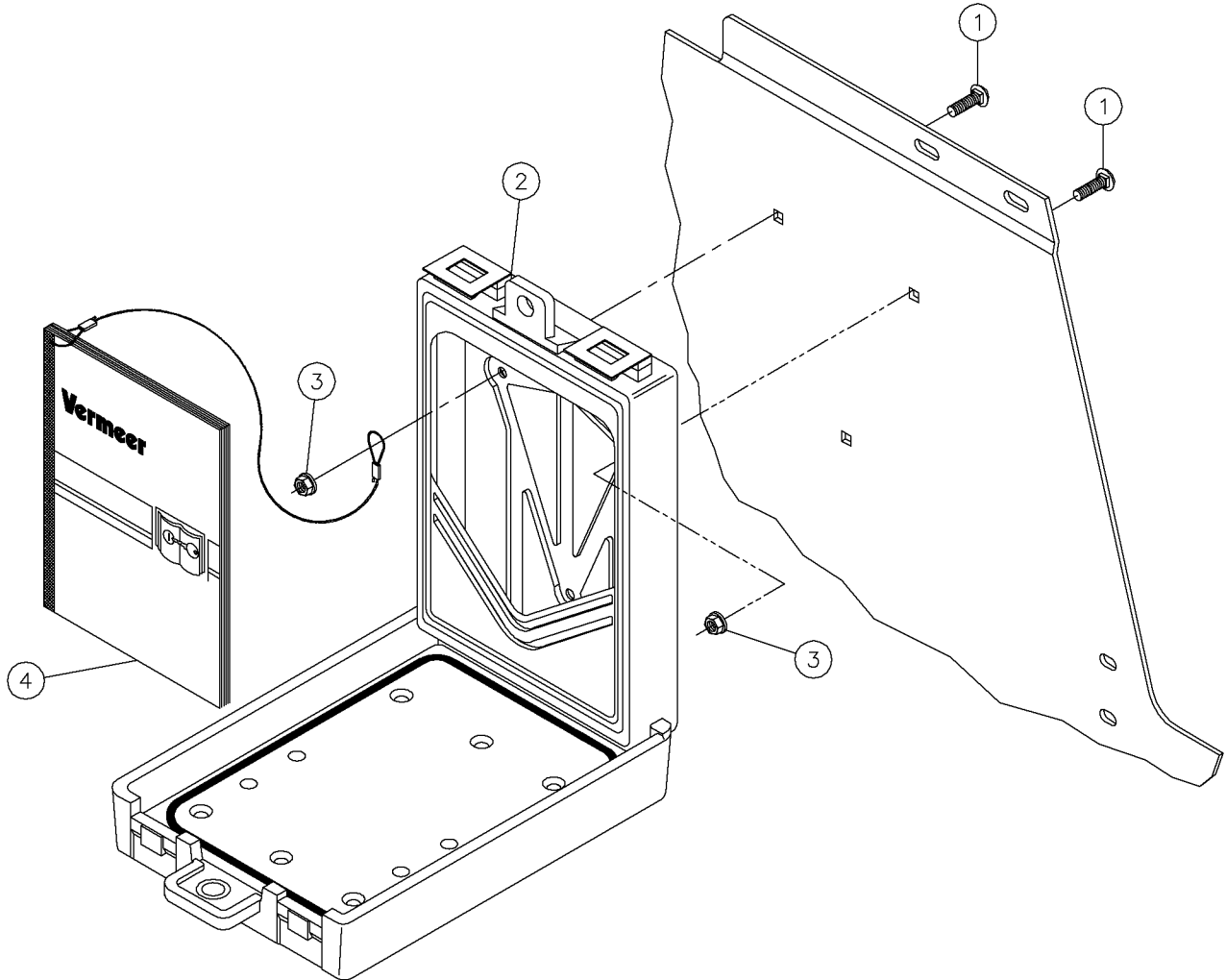
Tool Tray Fig 1-22



Tool Tray Fig 1-22

REF. NO.	*	PART NO.	DESCRIPTION	QTY.	REMARKS
1		374006	BOLT-5/16"-18X3/4GD#5CARRIAGE	4	
2		126357001	TOOL TRAY	1	
3		1809007	NUT - 5/16-18 SM.FLGE.T.L.	4	
4		2326324	DECAL-WARNING/REFUEL	1	
5		70000422	DECAL-UNLEADED FUEL ONLY	1	
6		2326756	DECAL-HYDRAULIC OIL	1	

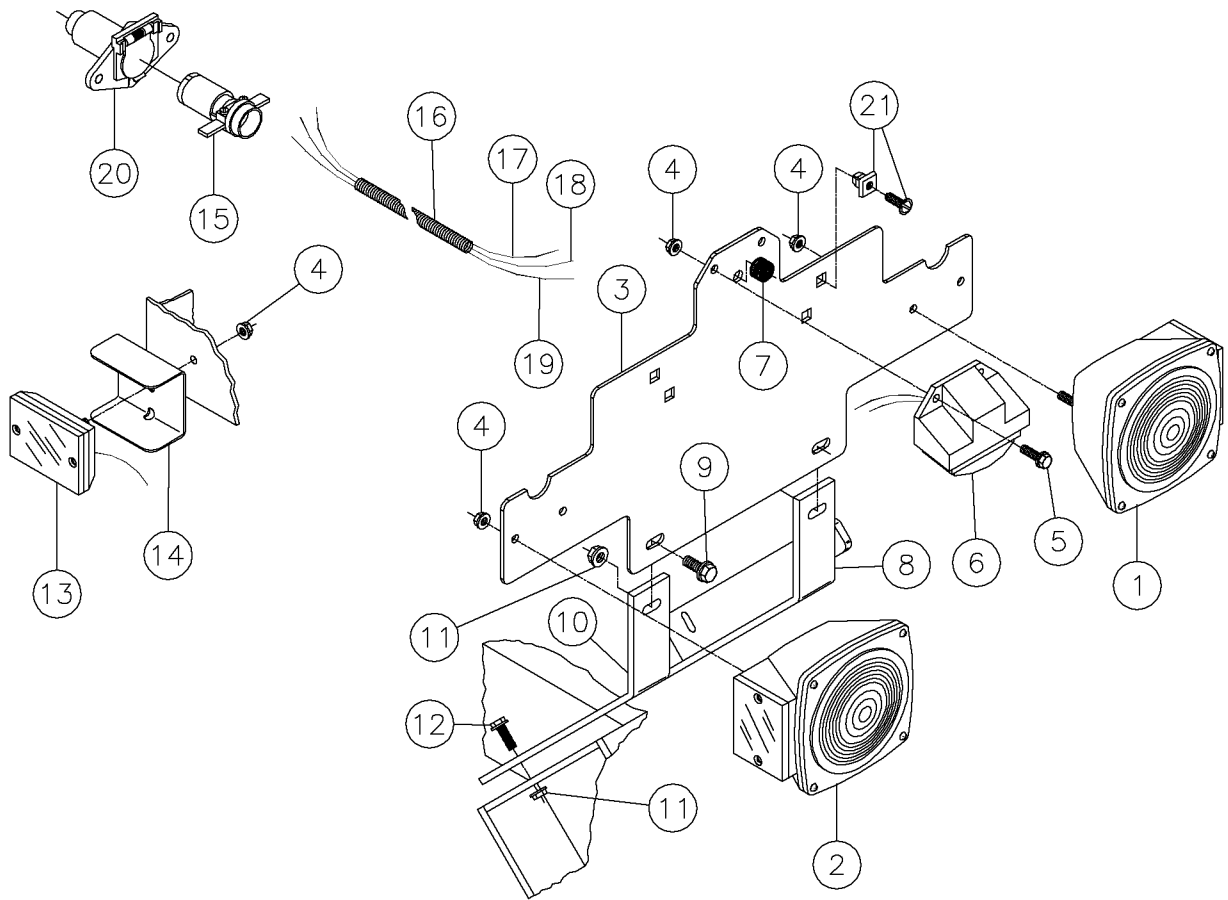
Plastic Literature Box Fig 1-23r01



Plastic Literature Box Fig 1-23r01

REF. NO.	*	PART NO.	DESCRIPTION	QTY.	REMARKS
		Revision Date	November, 2004		Update In Parts List.
1		373005	BOLT-1/4-20X5/8 GR5 CARRIAGE	3	
2		142410001	CASE-6"X9 XCX X1" OPERATOR MANUAL	1	
3		405001	NUT-1/4 NC FLG WHIZ LOCK	3	
4	*	180008220	MANUAL-OPERATOR ASSEMBLY	1	

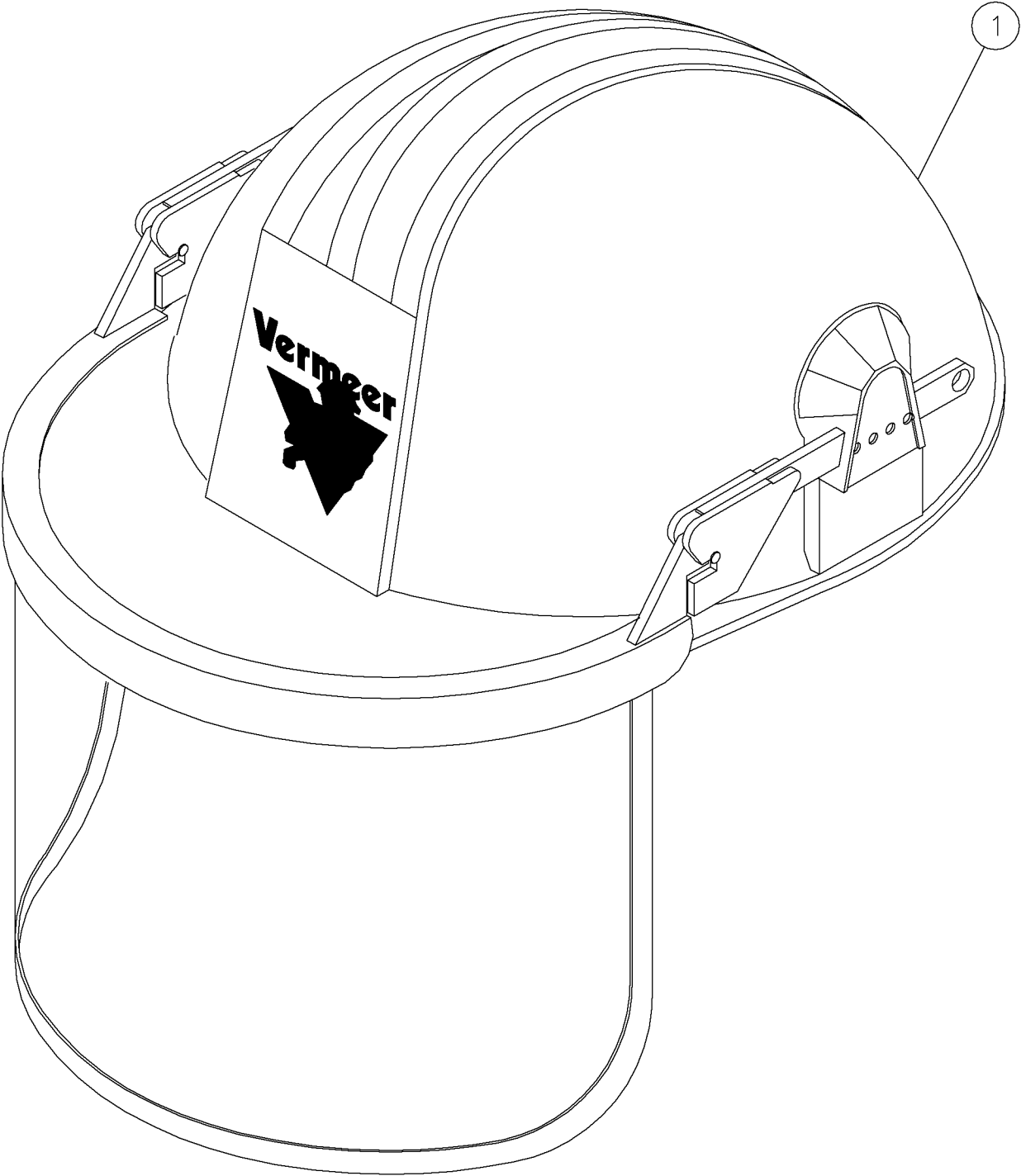
Light Fig 1-24r01



Light Fig 1-24r01

REF. NO.	*	PART NO.	DESCRIPTION	QTY.	REMARKS
1		109309001	LIGHT-STOP & TAIL M440	1	
2		109313001	LIGHT-STOP & TAIL M44OL	1	
3		109301001	BRKG.TAILLIGHT/LICENSE MOUNT	1	
4		405001	NUT-1/4 NC FLG WHIZ LOCK	8	
5		4473006	BOLT-1/4-20X3/4 FLG WHIZ	2	
6		102080001	LICENSE LAMP-RECT.W/MTG.BRKT.	1	
7		1865025	GROMMET-3/16ID-3/16X3/8GROOVE	1	
8		109304001	BRKT,SHLD,BRG AND LIGHT MOUNT	1	
9		4474006	BOLT-5/16-18X3/4 FLANGE WHIZ	2	
10		109303001	LIGHT BRACKET MOUNT	1	
11		408001	NUT-5/16 NC FLG WHIZ LOCK	4	
12		4474010	BOLT-5/16-18X1 FLG.WHIZ PLATED	2	
13		109310001	LIGHT-AMBER CLEARANCE M114A	2	
14		109314001	LIGHT PROTECTOR	2	
15		1463001	PLUG-6 POLE 1236 M	1	
16		86318001	LOOM-FLEX GARD HI TEMP 1/4 ID	A\R	Specify Length
17			WIRE-16 GA. YELLOW(120")	1	
18			WIRE-16 GA. BROWN(120")	1	
19			WIRE-16 GA. DARK GREEN(120")	1	
20		1462001	CONN.-6 POLE 1235 F	1	
21	*	126100001	SCREW-LICENSE PLATE FASTENER	2	

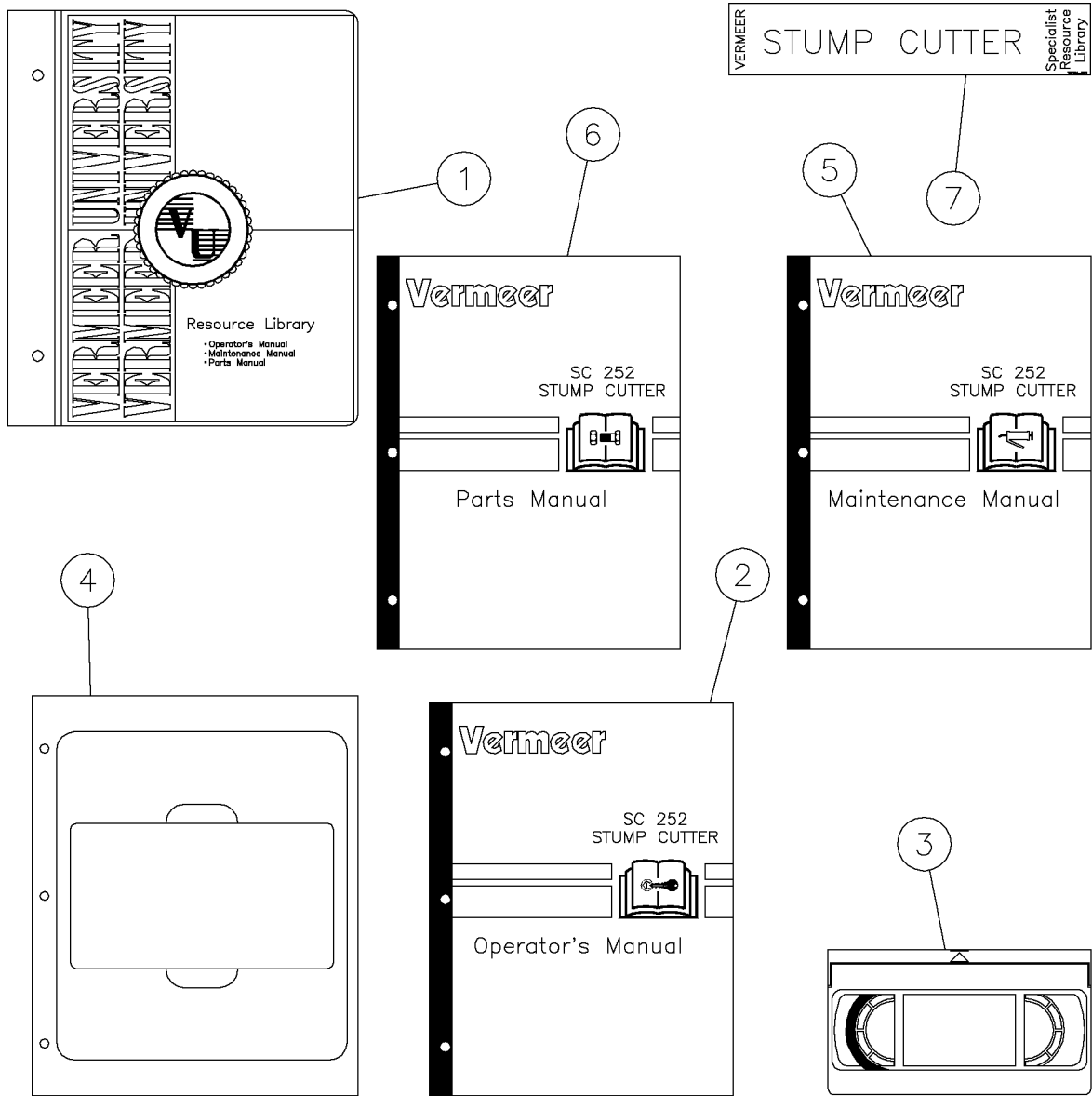
Face Shield Fig 1-25



Face Shield Fig 1-25

REF. NO.	*	PART NO.	DESCRIPTION	QTY.	REMARKS
1		103856001	HELMET	1	
		103856005	VISOR BRACKET	1	
		103856007	.060 POLY VISOR	1	
		103856009	VISOR ADAPTER	1	Requires 2

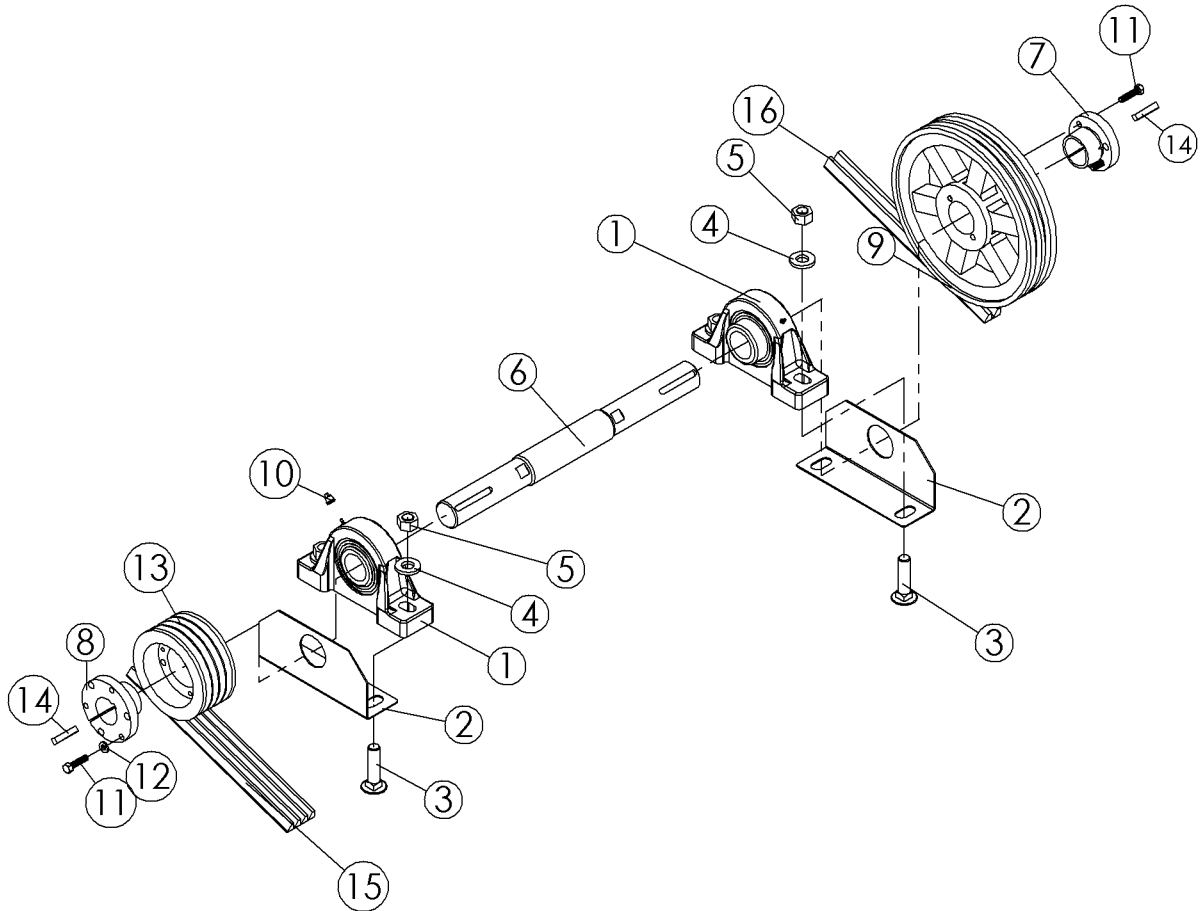
Product Manuals Fig 1-26



Product Manuals Fig 1-26

REF. NO.	*	PART NO.	DESCRIPTION	QTY.	REMARKS
1		144144001	NOTEBOOK BINDER-2"-3 XCX	1	
2		105400M67	OPERATORS MANUAL	1	
3		9989001	VIDEO-STUMP CUTTER OPERATION	1	
4		144145001	VHS HOLDER	1	
5		105400M69	MAINTENANCE MANUAL	1	
6		105400R94	PARTS MANUAL-2ND EDITION	1	
7		7000A693	DECAL-RESOURCE LIBRARY SC	1	
		155018001	RESOURCE LIBRARY ASSEMBLY-2ND EDITION		Inc. Ref. No's 1-7

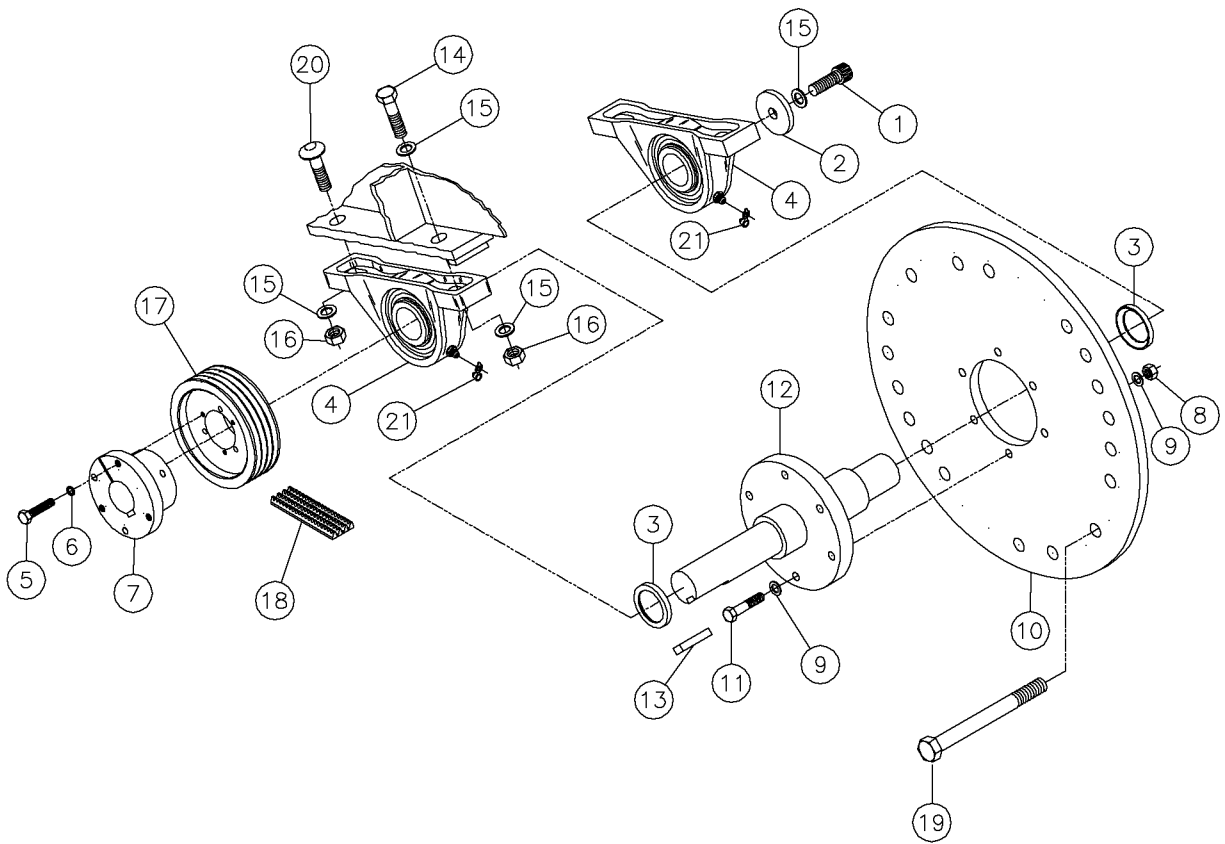
Cutter Wheel Jackshaft Fig 2-1r03



Cutter Wheel Jackshaft Fig 2-1r03

REF. NO.	*	PART NO.	DESCRIPTION	QTY.	REMARKS
1		142464001	*BEARING-1 1/4 PILLOW BLOCK	2	
2		107184001	SHIELD, BEARING	2	
3		180007626	BOLT-CARG-.50-13X2.00-GR5-CZ	4	
4		127362001	WASHER-1/2 HARD.FLAT/PLATED	4	
5		423001	NUT-TLHEX-.50-13-B-CZ	4	
6		109225001	*JACKSHAFT	1	
7		1682013	HUB	1	
8		1694005	HUB	1	
9		2290013	SHEAVE- #2AK74H	1	
10		151808001	GREASE CAP	2	
11		180007610	1/4-20 X 1" GRADE #5 HEX BOLT (PATCH)	5	
12		480003	WASHER-LOCK-.25-.26X.49-.06-CZ	3	
13		180007297	SHEAVE-4-3V4.12 W/ 1/4 X 2 1/4 BOLTS	1	
14		578003	KEY-SQ-.25 X .25 - 1.25 - HARD	2	
15		142468001	V-BAND RAW EDGE 4R3V X48.5"	1	
16		123173001	BELT-A64 MATCHED PAIR	1	

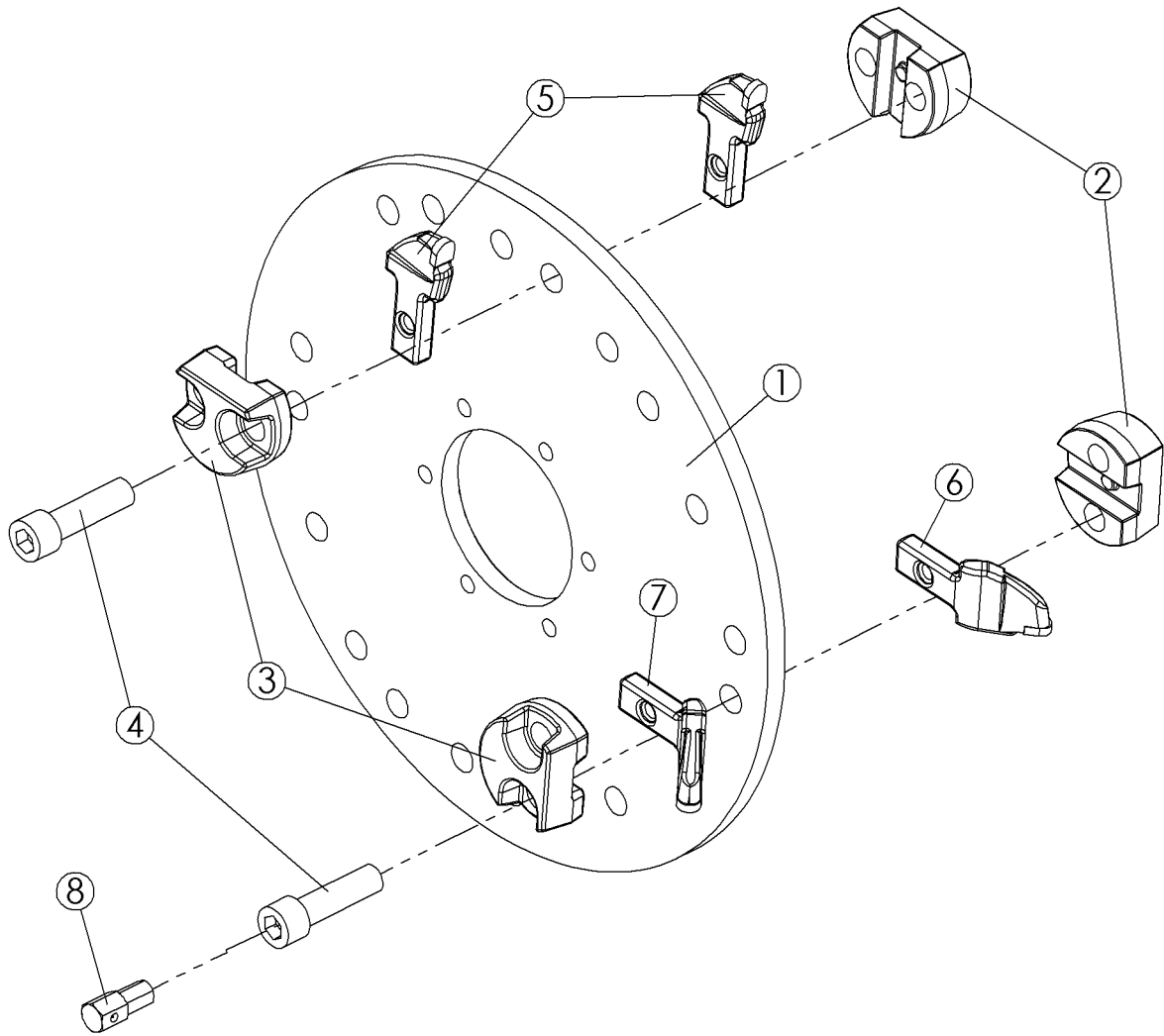
Cutter Wheel Fig 2-2r03



Cutter Wheel Fig 2-2r03

REF. NO.	*	PART NO.	DESCRIPTION	QTY.	REMARKS
1		514014	1/2-13X1 1/2" SOCKET HEAD BOLT	1	
2		13531001	WASHER-2"ODX17/32"ID-1/4"	1	
3		163551092	RING-BEVELED SPACER	2	
4		142465001	BEARING-1 1/2 PILLOW BLOCK	2	
5		4592020	BOLT-5/16-18 NC X 2" HEX HEAD	3	
6		480005	WASHER-5/16 S/T LOCK	3	
7		1695005	HUB (BSHG) - SK 1 1/2"	1	Inc. Three Of Ref. 5 & 6 & One Of Ref. 13
8		15289001	NUT-3/8-16NC SLTL GRADE 8	6	
9		127361001	WASHER-3/8 HARD.FLAT/PLATED	12	
10		123172001	CUTTERWHEEL	1	
11		16114020	BOLT-3/8-16 X 2 HEX HEAD GR. 8	6	
12		116523001	CUTTER WHEEL SHAFT	1	
13		579011	HKEYS-3/8X3/8X2	1	
14		358024	BOLT-1/2-13X2 1/2"GRADE#5HEX	3	
15		127362001	WASHER-1/2 HARD.FLAT/PLATED	13	
16		423001	NUT-1/2 NC SLTL UTB	4	
17		142470001	SHEAVE-4-3V69	1	
18		180007296	BELT-V BAND-4R3VX X 48.44 E.L.	1	
19		366064	5/8-11X 6 1/2"GRADE#5 HEX BOLT	1	Used To Hold Wheel While Changing Teeth-stores In Tool Box
20		377020	BOLT-1/2-13X2"GD#5CARRIAGE	1	
21		151808001	CAP - GREASE	2	

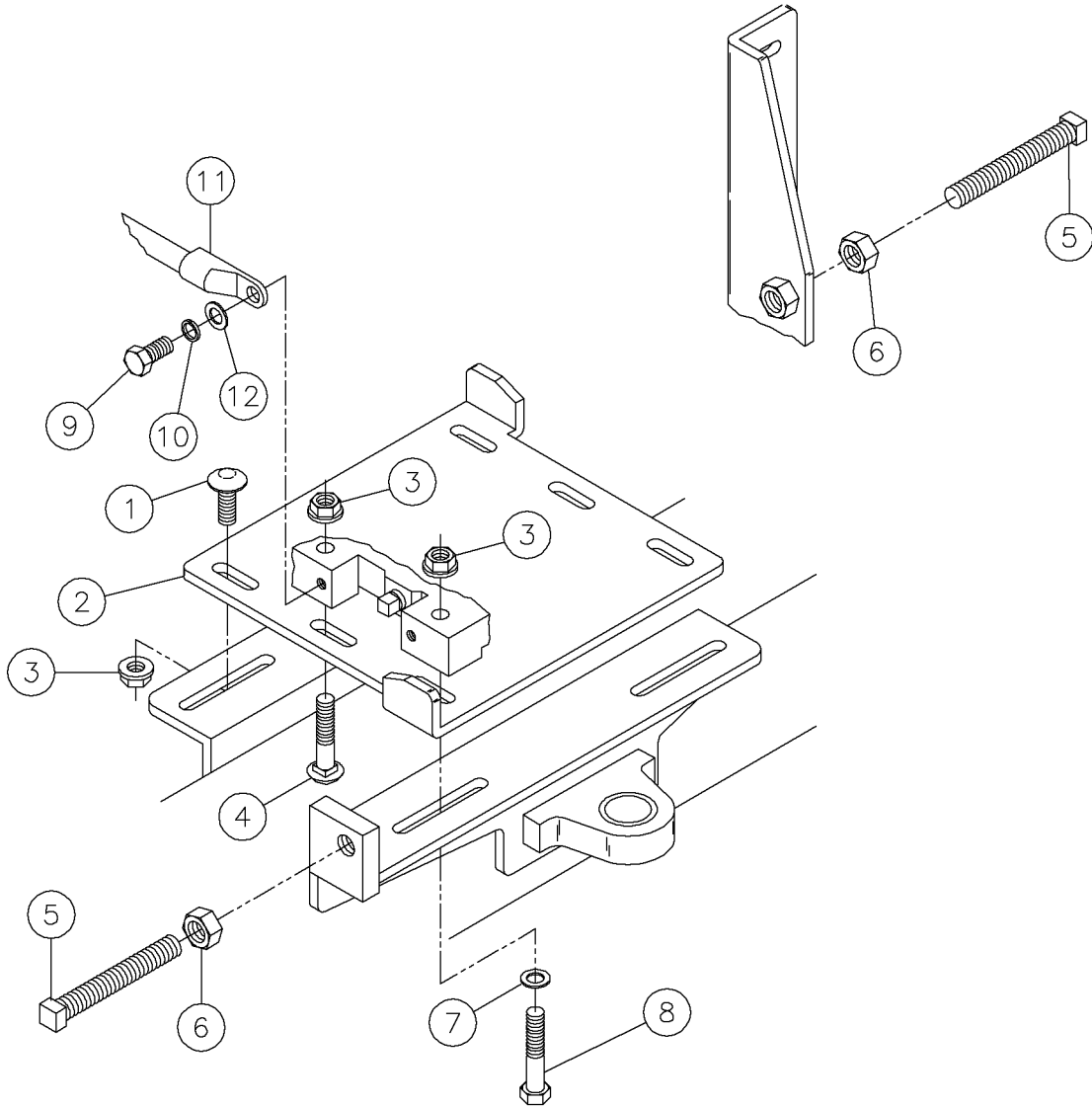
Cutter Teeth And Pockets Fig 2-3r02



Cutter Teeth And Pockets Fig 2-3r02

REF. NO.	*	PART NO.	DESCRIPTION	QTY.	REMARKS
1		123172001	CUTTERWHEEL	1	
2		92940003	POCKET-FORGED W/5/8-18 HOLES	8	
3		92940001	POCKET-FORGED	8	
4		93305022	CAPSCREW-5/8-18X2 1/4 SOC.HEAD	16	
5		92939003	*TOOTH-STRAIGHT FORGED	4	
6		92939002	*TOOTH-RIGHT FORGED	6	
7		92939001	*TOOTH-LEFT FORGED	6	
8		22402539	APEX SZ-31A INSERT BIT	1	

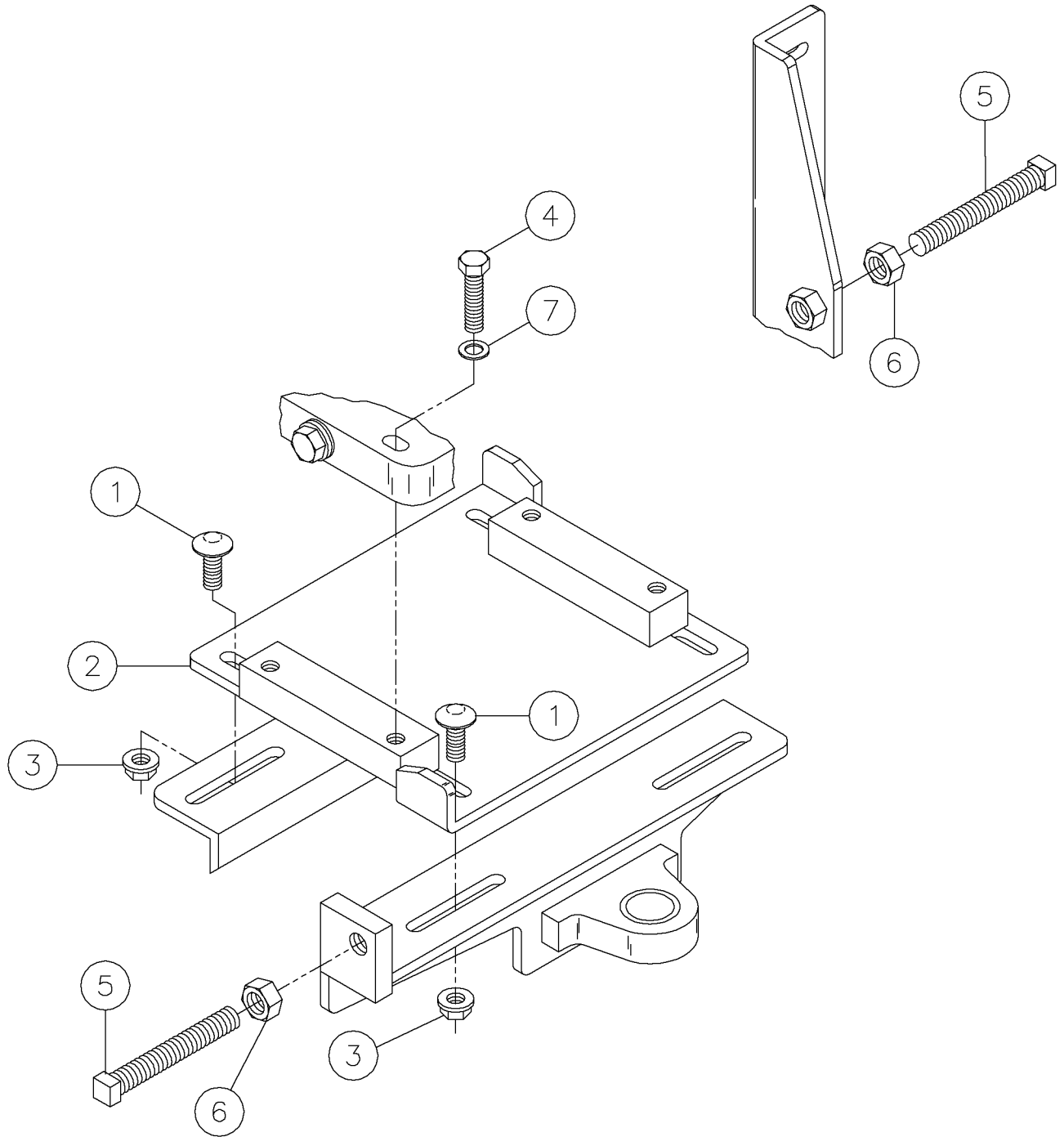
Engine Mounts - Kohler Fig 3-1r01



Engine Mounts - Kohler Fig 3-1r01

REF. NO.	*	PART NO.	DESCRIPTION	QTY.	REMARKS
		Revision Date	November, 2002		Due To Change In Hardware Marked With A *
1		375010	BOLT-3/8"-16X1"GD#5 CARRIAGE	2	
2		126447001	PLATE, ENGINE MOUNT	1	
3		4536001	NUT - 3/8-16 FLG. WHIZ LOCK	6	
4		375016	BOLT 3/8-16X1 3/4 CARRIAGE GR5	2	
5		550034	SQ HSS-1/2-13X3 1/2	2	
6		422001	NUT-1/2 NC HEX JAM	2	
7	*	127361001	WASHER-3/8 HARD.FLAT/PLATED	2	
8		354020	3/8-16X2" GRADE#5 HEX BOLT	2	
9		567001	8MX20MM CAP SCREW DIN 933	1	
10		17393001	WASHER-8M LOCK	1	
11		843025	BATT. CABLE-4GA X 53"N-E BLACK	1	
12		111535001	WASHER-5/16 HARDENED	1	

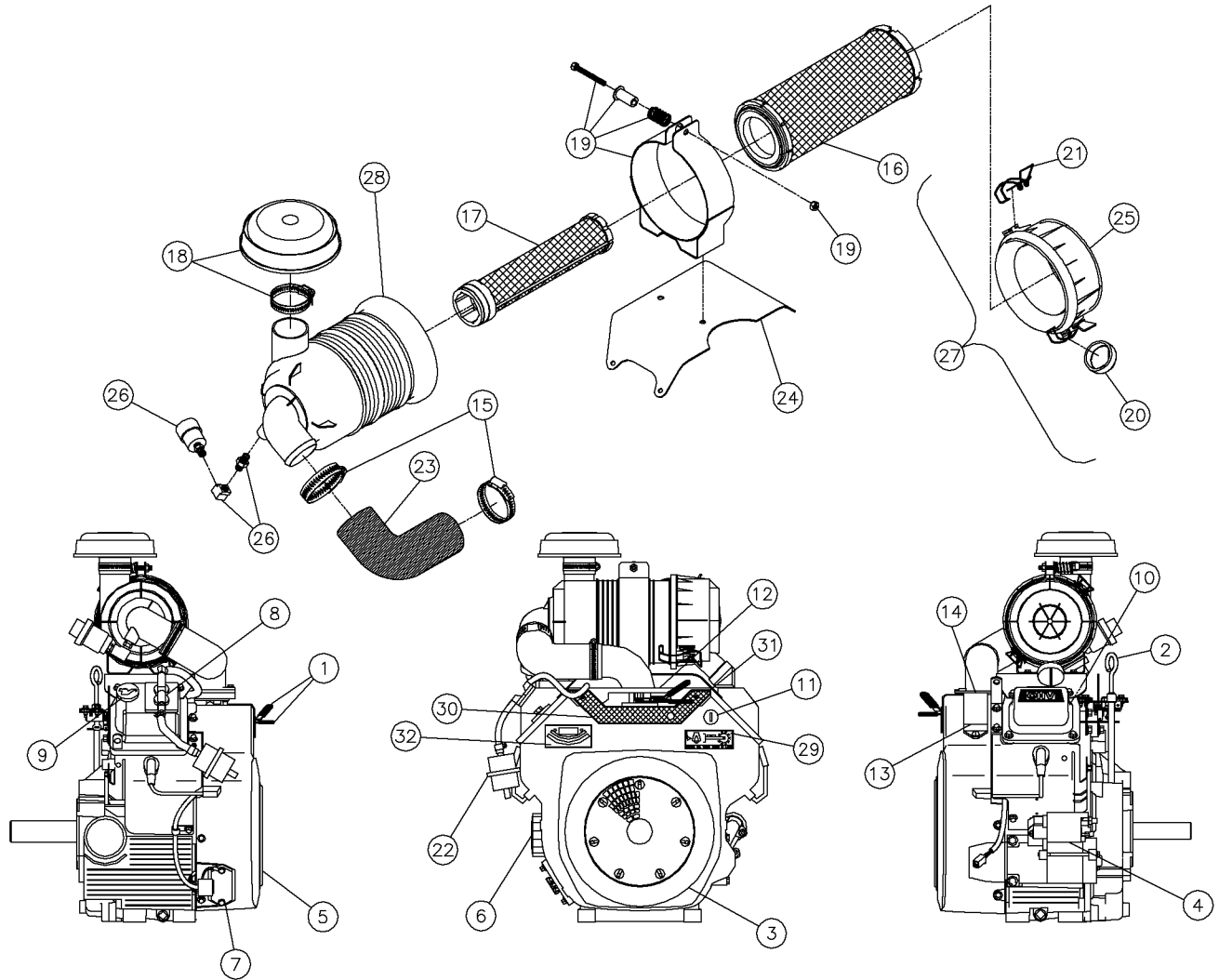
Engine Mounts - Honda Fig 3-2r01



Engine Mounts - Honda Fig 3-2r01

REF. NO.	*	PART NO.	DESCRIPTION	QTY.	REMARKS
1		375010	BOLT-3/8"-16X1"GD#5 CARRIAGE	4	
2		113656001	ENGINE MOUNT-HONDA	1	
3		4536001	NUT - 3/8-16 FLG. WHIZ LOCK	4	
4		354014	BOLT-3/8-16X1 1/2"GRADE#5 HEX	4	
5		350034	BOLT-1/4-20X3 1/2 GR.5 HEX HD	2	
6		422001	NUT-1/2 NC HEX JAM	2	
7	*	127361001	WASHER-3/8 HARD.FLAT/PLATED	4	

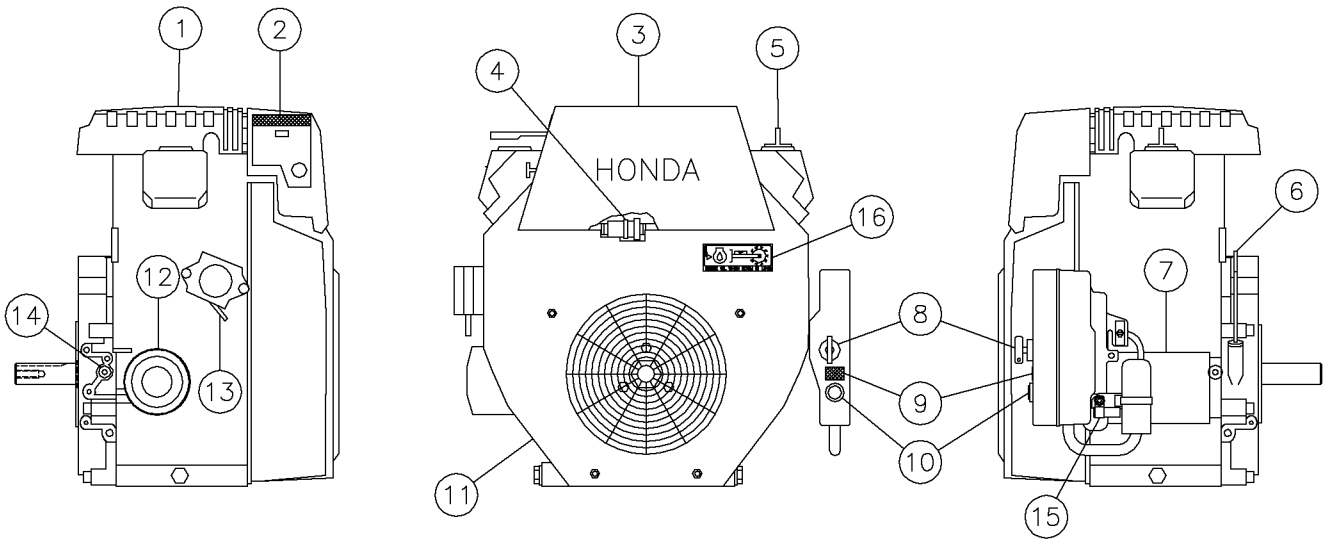
Engine Components - Kohler 25 Hp Fig 3-3r02



Engine Components - Kohler 25 Hp Fig 3-3r02

REF. NO.	*	PART NO.	DESCRIPTION	QTY.	REMARKS
1		155021001	CHOKE & THROTTLE CONTROL ASSY.	1	
2		215773019	DIPSTICK	1	
		215773021	TUBE-DIPSTICK	1	
3		125663001	FLYWHEEL	1	
		125665001	FAN	1	
		215773027	STATOR-15 AMP	1	
		125122001	MODULE-IGNITION	2	
4		115189001	STARTER	1	
		180006562	SOLENOID-STARTER	1	
		125667001	SCREEN-GRASS	2	
5		128326001	GUARD-STATIONARY	1	
		215773035	FILTER-OIL	1	
6		215773037	RECTIFIER-REGULATOR	1	
7		151970001	PUMP, FUEL MECHANICAL	1	
8		215773041	CAP-OIL FILL	1	
9		204996001	SWITCH-OIL SENTRY PRESSURE	1	
10		86515001	IGNITION SWITCH KIT	1	
11		89116001	KEY (SET OF TWO)	1	
		155023001	SHIELD-DEBRIS	1	
12		125126001	SMART SPARK	1	
13		125673001	CARBUREATOR ASSEMBLY	1	
14		125674001	GASKET-CARBURETOR	1	
		125675001	REPAIR KIT-CARBURETOR	1	
		115188001	MANIFOLD-INTAKE	1	
		215773017	GASKET-INTAKE MANIFOLD	1	
15		1580011	HOSE CLAMP - 2"	2	
16		151957001	FILTER - AIR , PRIMARY	1	
17		151958001	FILTER - AIR , INNER SAFETY	1	
18		151959001	HOOD - AIR CLEANER	1	
19		151963001	BAND - MOUNTING , AIR CLEANER	1	
20		151960001	VALVE - DUST EJECTOR	1	
21		151961001	CLIP - DUST CAP	1	
22		242566033	FILTER-FUEL	1	
23		151964001	HOSE - AIR CLEANER	1	
24		151965001	MOUNT - AIR CLEANER	1	
25		151972001	CAP - END AIR CLEANER	1	
26		151962001	INDICATOR - FILTER MINDER	1	
		4020001	FITTING-3326X2 WTHR-HD	1	
		93393001	FITTING-1/8"X90 DEG.ELBOW	1	
27		151971001	CAP-END AIR ASSEMBLY	1	Inc. 1 Ea. Of Ref. 20, 21, 25
28		151973001	AIR-CLEANER BODY ASSEMBLY	1	Inc. 1 Ea. Of Ref. 16 & 28
29		7000B162	*DECAL - CHECK OIL	1	
30		155022001	* BRACKET-CONTROL CABLE	1	
31		155024001	* DECAL-COMMAND 25	1	
32		180008208	GAUGE-ENGINE ANGLE	1	
note			April, 2009 - matched BOM and Graphic references.		

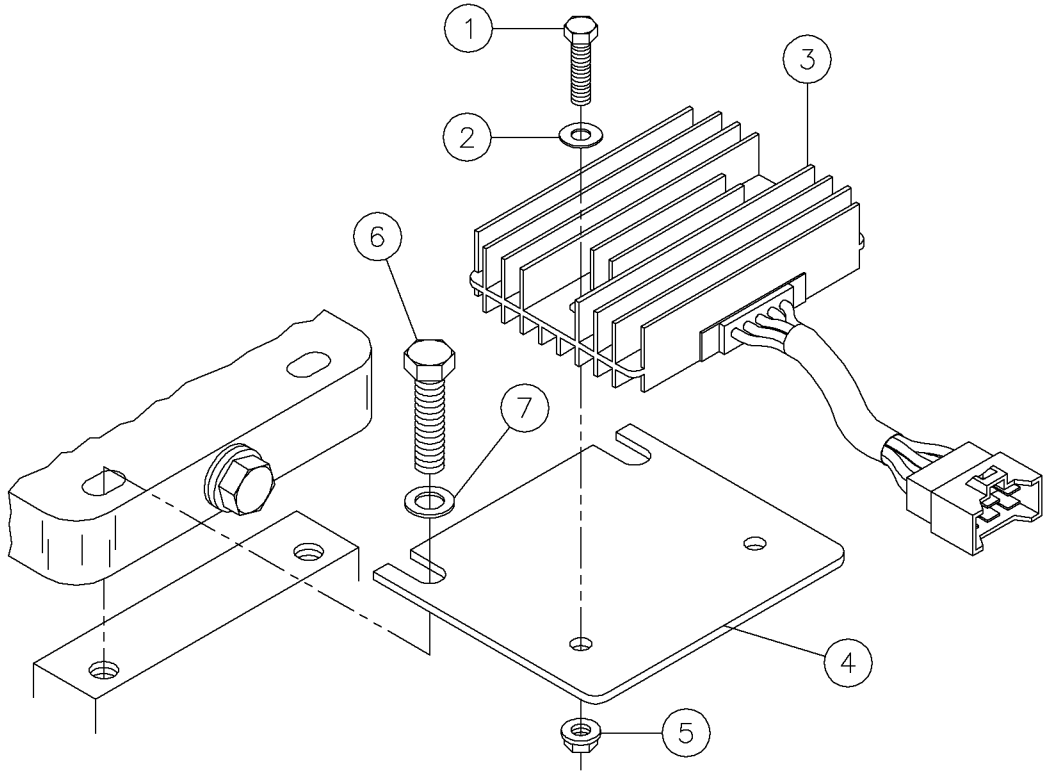
Engine Components - Honda Fig 3-4



Engine Components - Honda Fig 3-4

REF. NO.	*	PART NO.	DESCRIPTION	QTY.	REMARKS
1		121846001	COVER-AIR CLEANER	1	
		121847001	GASKET-TOP	1	
		121848001	ELEMENT-PAPER	1	
		121849001	ELEMENT-FOAM	1	
		121850001	GASKET-BOTTOM	1	
		122593001	BOLT-AIR CLEANER	1	
		122594001	GROMMET-AIR CLEANER	1	
2		7000A029	DECAL-THROTTLE (TREE)	1	
3		121851001	HOOD-FAN COVER	1	
		121852001	CARBUREATOR ASSY	1	
4		121853001	FILTER-FUEL	1	
5		122574001	CAP-OIL FILTER	1	
6		122575001	GAUGE-OIL LEVEL	1	
7		122576001	MOTOR ASSY-STARTER	1	
8		122577001	SWITCH-ENGINE	1	
		122578001	KEY-ENG. SWITCH	2	
9		7000A032	DECAL-OIL PRESSURE	1	
10		122579001	LIGHT-LOW OIL	1	
11		122580001	FLYWHEEL	1	
		122581001	KEY-WOODRUFF 25X18	1	
		122582001	WASHER 20MM	1	
		122583001	NUT-20MM FLANGE	1	
		122584001	FAN-COOLING	1	
		122585001	PLATE-COOLING FAN	1	
		122586001	BOLT-8X16 FLANGE	3	
		122587001	COIL ASSY-RIGHT IGN.	1	
		122588001	COIL ASSY-LEFT IGN.	1	
		122589001	COVER-FAN	1	
12		122590001	FILTER-OIL	1	
13		122591001	PUMP ASSY-FUEL	1	
14		122592001	SWITCH-OIL PRESSURE	1	
15		122014001	SUPPRESSOR-NOISE RC-1	1	Use W/autosweep Only
16		7000B162	DECAL - CHECK OIL	1	
			PARTS WARRANTED BY		
			AUTHORIZED HONDA DEALER.		

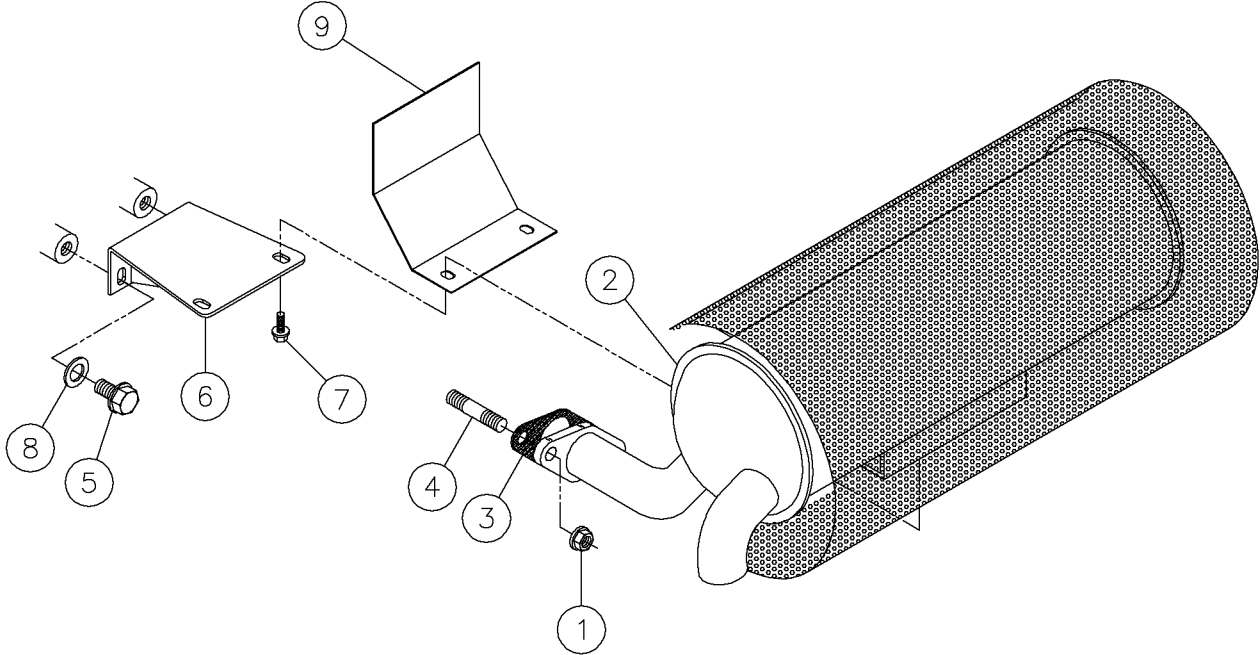
Regulator / Rectifier - Honda Fig 3-5r01



Regulator / Rectifier - Honda Fig 3-5r01

REF. NO.	*	PART NO.	DESCRIPTION	QTY.	REMARKS
		Revision Date	November, 2002		Due To Change In Hardware Marked With A *
1		350010	1/4-20 X 1" GRADE #5 HEX BOLT	2	
2		485003	WASHER-1/4 FLAT	2	
3		122598001	REGULATOR/RECTIFIER ASSEMBLY	1	
4		109329001	MOUNT-RECTIFIER	1	
5		405001	NUT-1/4 NC FLG WHIZ LOCK	2	
6		354014	BOLT-3/8-16X1 1/2"GRADE#5 HEX	2	
7	*	127361001	WASHER-3/8 HARD.FLAT/PLATED	2	

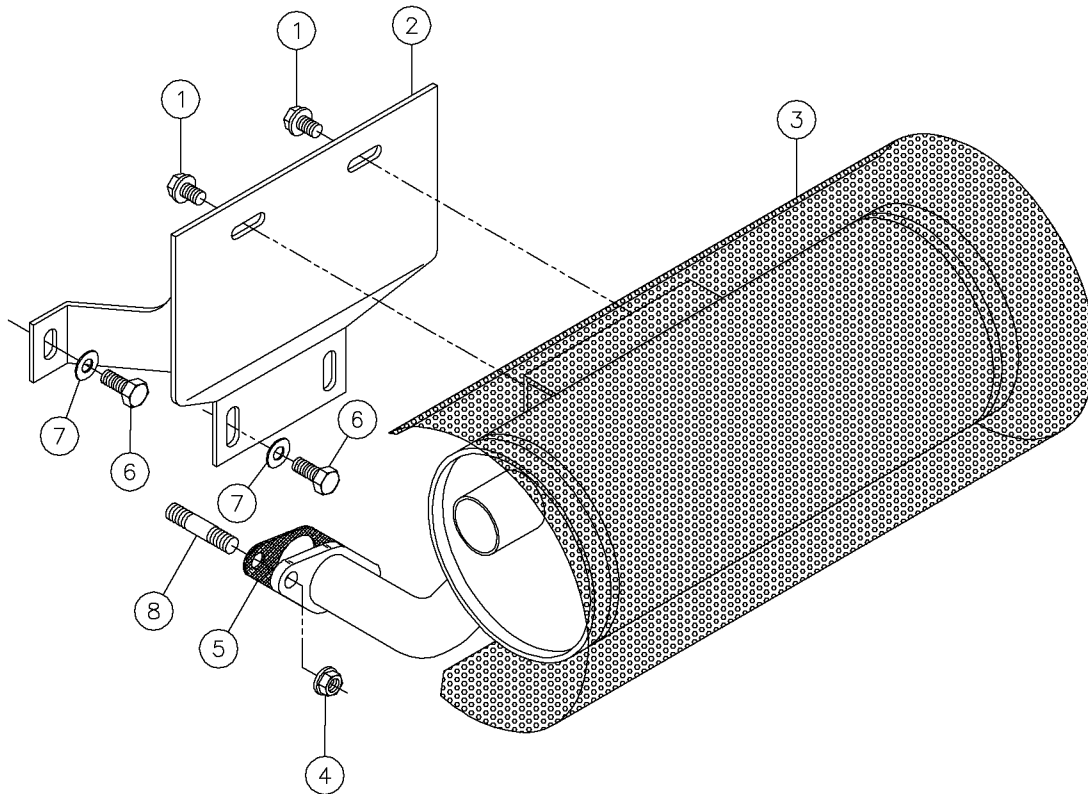
Muffler - Kohler 25 Hp Fig 3-6



Muffler - Kohler 25 Hp Fig 3-6

REF. NO.	*	PART NO.	DESCRIPTION	QTY.	REMARKS
1		215773055	NUT-M8 X 1.25	4	
2		148021001	MUFFLER	1	
3		215773053	GASKET-MUFFLER	2	
4		115192001	STUD-M8X1.25X33	4	
5		115495001	SCREW-M8X1.25X20	2	
6		153917001	MOUNT - MUFFLER SUPPORT	1	
7		4474004	5/16-18X1/2 FLG WHIZ BOLT	2	
8		111535001	WASHER-5/16 HARDENED	2	
9		121612001	PLATE-HEAT SHIELD	1	

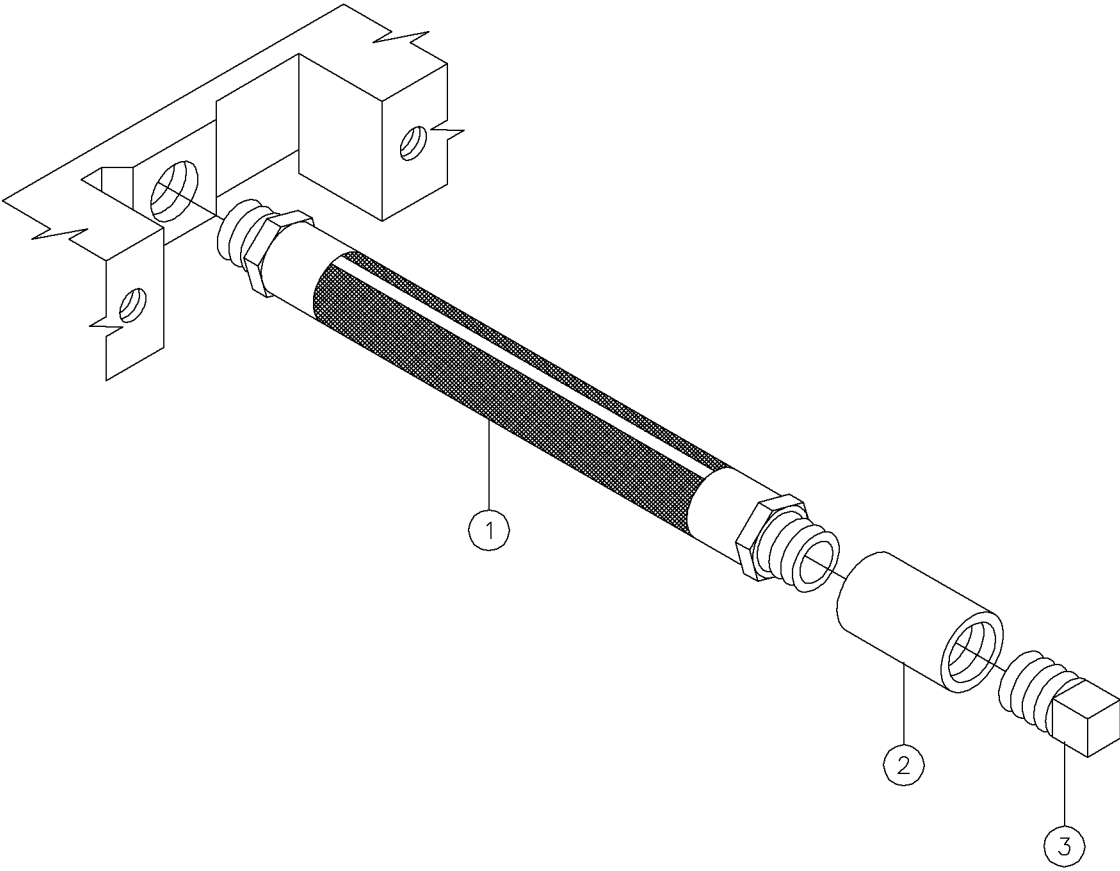
Muffler - Honda Fig 3-7



Muffler - Honda Fig 3-7

REF. NO.	*	PART NO.	DESCRIPTION	QTY.	REMARKS
1		4474004	5/16-18X1/2 FLG WHIZ BOLT	2	
2		117713001	MUFFLER MOUNT	1	
3		109342001	MUFFLER-2412-A	1	
4		122595001	NUT-8MM FLANGE	4	
5		122596001	GASKET-EXHAUST PIPE	2	
6		567001	8MX20MM CAP SCREW DIN 933	4	
7		485005	WASHER-5/16 FLAT	4	
8		122597001	BOLT-M8X25MM STUD	4	

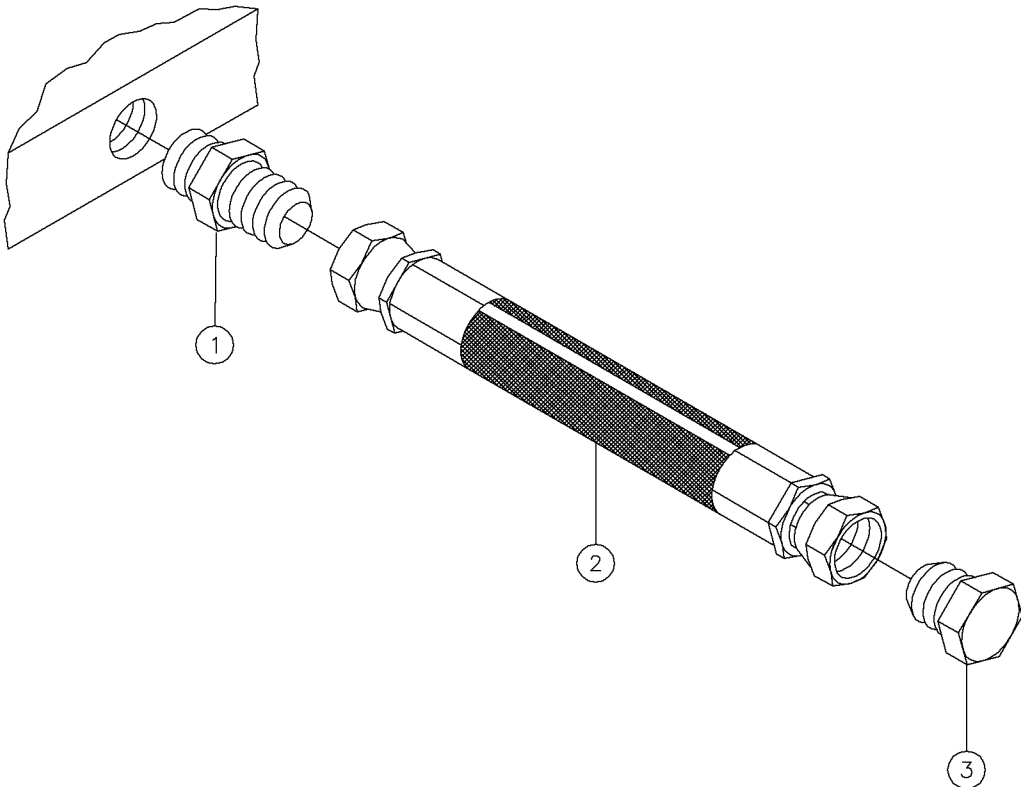
Engine Oil Drain - Kohler Fig 3-8



Engine Oil Drain - Kohler Fig 3-8

REF. NO.	*	PART NO.	DESCRIPTION	QTY.	REMARKS
1		607001	HOSE - 3/8" X 7 M & M	1	
2		723003	3/8" COUPLING BLACK STEEL	1	
3		732005	3/8" PIPE PLUG BLACK STEEL	1	

Engine Oil Drain - Honda Fig 3-9



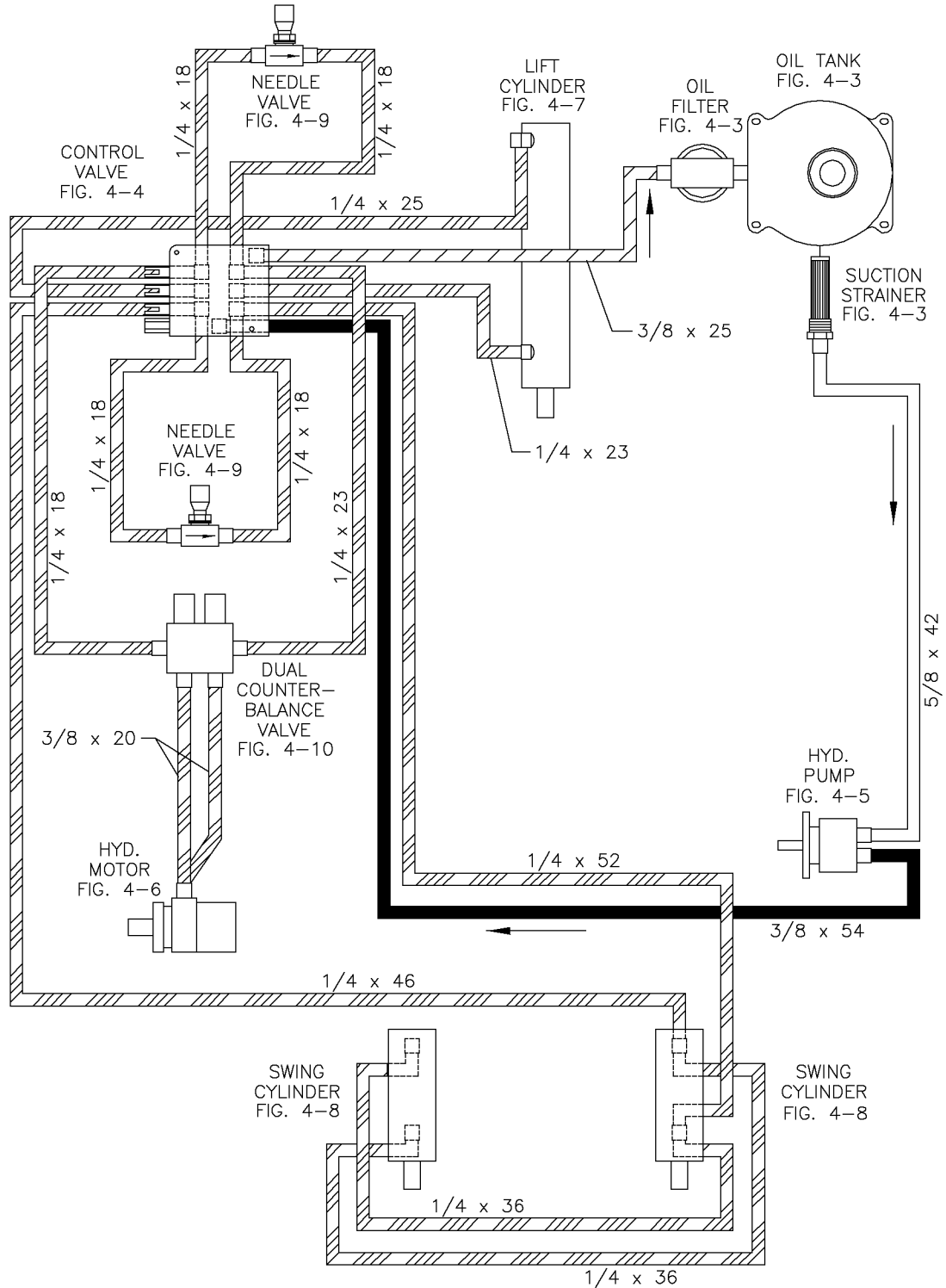
Engine Oil Drain - Honda Fig 3-9


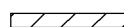

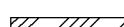

REF. NO.	*	PART NO.	DESCRIPTION	QTY.	REMARKS
1		77732001	FITTING-6-M14X1.5F80X-S STR.	1	
2		57940365	HOSE-3/8X6 6FS JIC 2500 PSI	1	
3		83635001	PLUG-#6 JIC MALE	1	

Battery Fig 3-10r01

REF. NO.	*	PART NO.	DESCRIPTION	QTY.	REMARKS
		Revision Date	August, 2004		Update In Illustration & Parts List.
1		351080	5/16-18X8 GRADE 5 HEX BOLT	1	
2		485005	WASHER-5/16 FLAT	2	
3		92883001	BATTERY STRAP	1	
4		351006	BOLT - 5/16 - 18 X 3/4" GR5 HEX	1	
5		N/A	BATTERY-12V GROUP 26 400 CCA	1	
6		130338001	PAD-BATTERY	1	
7		843025	BATT. CABLE-4GA X 53"N-E BLACK	1	
8		145548001	BATTERY CABLE-4 GA RED 62"	1	
		842033	BATT.CABLE-4GA. 61"P-E RED	1	
9		70000044	DECAL-WARNING(AT/UND)	1	
10	*	97404001	PORON-1/4X3/4	A/R	

Hydraulic Location Diagram Without Autosweep Fig 4-1r01

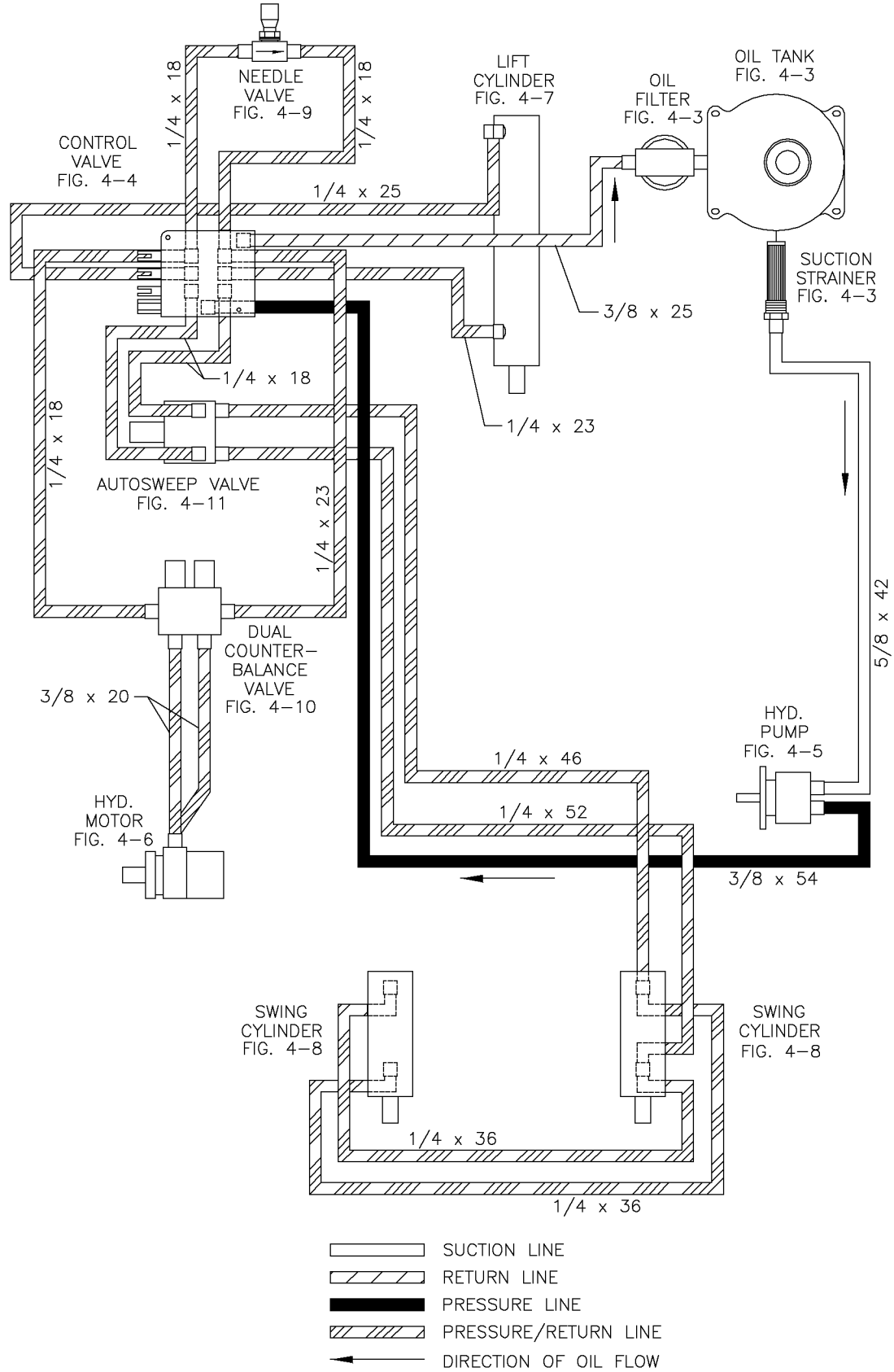


-  SUCTION LINE
-  RETURN LINE
-  PRESSURE LINE
-  PRESSURE/RETURN LINE
-  DIRECTION OF OIL FLOW

Hydraulic Location Diagram Without Autosweep Fig 4-1r01

REF. NO.	*	PART NO.	DESCRIPTION	QTY.	REMARKS
					There Is No Bill Of Material For This Page. Hose Identification Is Represented On Illustration.

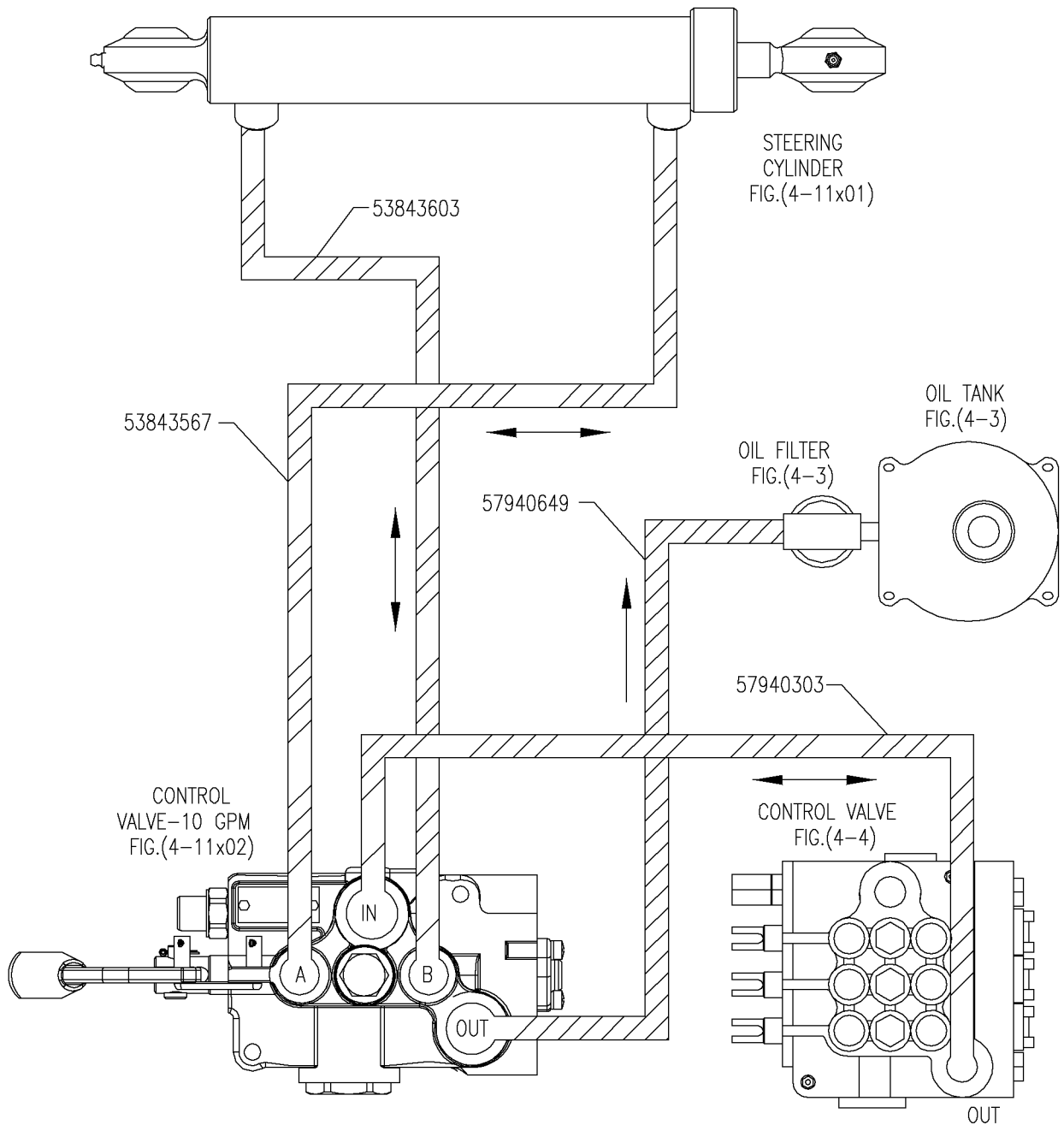
Hydraulic Location Diagram With Autosweep Fig 4-2r01

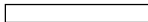



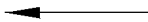


Hydraulic Location Diagram With Autosweep Fig 4-2r01

REF. NO.	*	PART NO.	DESCRIPTION	QTY.	REMARKS
					There Is No Bill Of Material For This Page. Hose Identification Is Represented On Illustration.

Hydraulic Location Diagram - Hydraulic Steer Fig 4-2x01

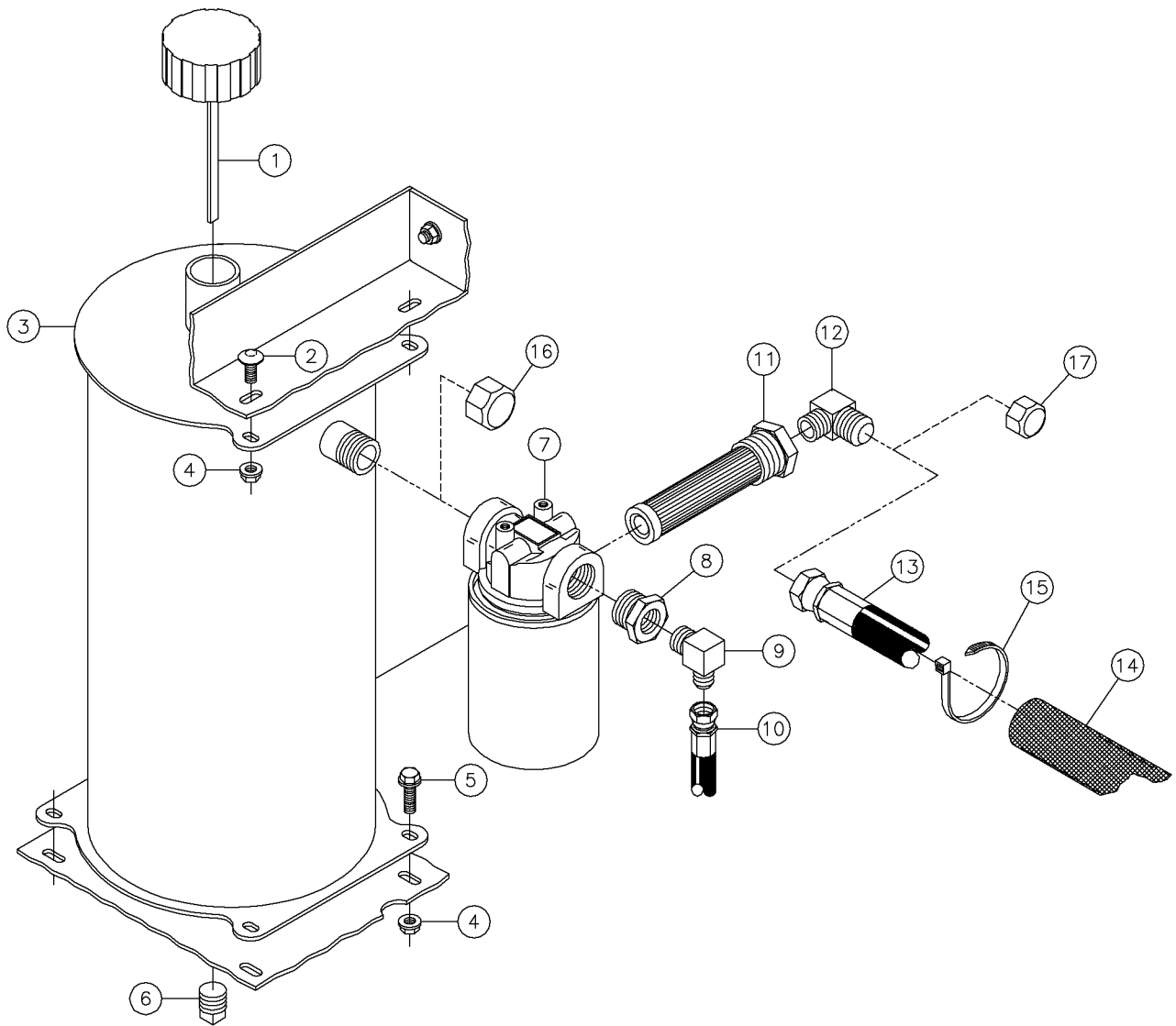


-  SUCTION LINE
-  RETURN LINE
-  PRESSURE LINE
-  PRESSURE/RETURN LINE
-  DIRECTION OF OIL FLOW

Hydraulic Location Diagram - Hydraulic Steer Fig 4-2x01

REF. NO.	*	PART NO.	DESCRIPTION	QTY.	REMARKS
					There Is No Bill Of Material For This Page. Hose Identification Is Represented On Illustration.

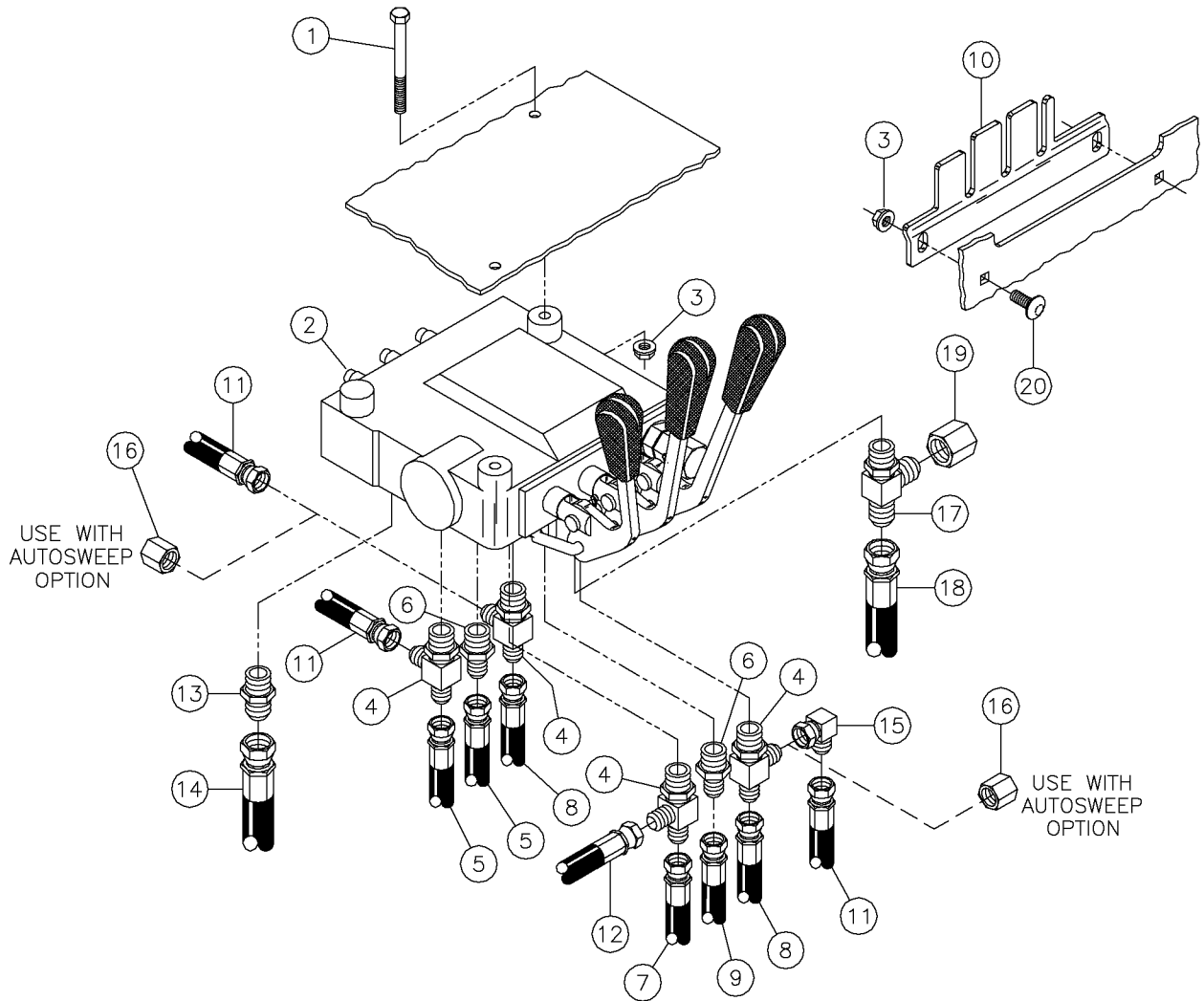
Hydraulic Oil Tank Fig 4-3r02



Hydraulic Oil Tank Fig 4-3r02

REF. NO.	*	PART NO.	DESCRIPTION	QTY.	REMARKS
		Revision Date	November, 2004		Update In Parts List.
1		157603001	CAP OIL BREATHER 3.25 - 4.00	1	
2		374006	BOLT-5/16"-18X3/4GD#5CARRIAGE	2	
3		151834001	HYD RESERVIOR ASSY	1	Inc. Ref. No.'s 1, 6, 11, 12, 16, 17
4		408001	NUT-5/16 NC FLG WHIZ LOCK	6	
5		4474010	BOLT-5/16-18X1 FLG.WHIZ PLATED	4	
6		734001	PLUG-1/2" MAGNETIC	1	
7	*	163349001	FILTER ASSY - 6 MIC - 50 PSI BYPASS	1	
		2683001	ELEMENT	1	
8		730043	FITTING-3/4X1/2 HEX BSHG.PLD.	1	
9		60723001	1/2MX6M JIC 90 DEG.ELBOW	1	
10		57940649	HOSE-3/8X25 6FS JIC 3000 PSI	1	
11		91543001	STRAINER-100 MESH 1/2NPT	1	
12		60862001	1/2MX10M JIC 90 DEG ELBOW	1	
13		53842459	HOSE-5/8X42 10FS JIC 3000 PSI	1	
14		66094001	CORDURA SLEEVE .090WALL 1.22ID	A/R	Specify Length
15		59634001	NYTIE - 8"	1	
16		732009	PLUG-3/4" PIPE BLACK STEEL	1	
17		78062001	FITTING-10F JIC CAP NUT	1	

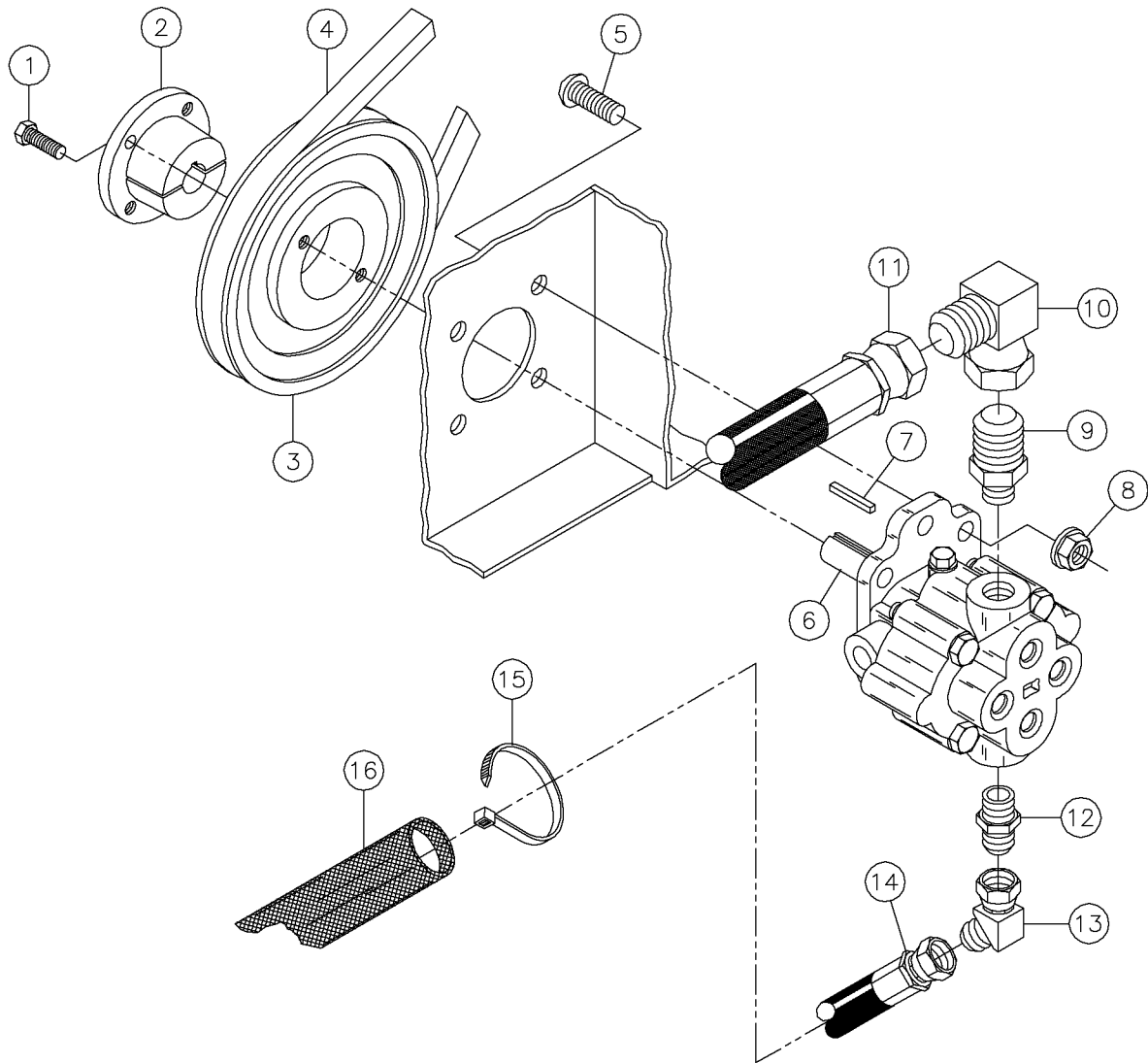
Control Valve Fig 4-4r01



Control Valve Fig 4-4r01

REF. NO.	*	PART NO.	DESCRIPTION	QTY.	REMARKS
			WITH OUT AUTO SWEEP		
1		350024	1/4-20X2 1/2"GRADE #5HEX BOLT	2	
2		148036001	VALVE - CONTROL	1	Breakdown Fig. 4-12
3		405001	NUT-1/4 NC FLG WHIZ LOCK	4	
4		82930001	FIT-6MX4M JICX4M JIC (BCH) TEE	4	
5		53843715	HOSE-1/4X23 4FS JIC 3000 PSI	2	
6		57968001	6M O-RING 4M JIC STRAIGHT	2	
7		53843183	HOSE-1/4X18 4FS JIC 3000 PSI	1	
8		53843183	*HOSE-1/4X18 4FS JIC 3000 PSI	2	
9		53843325	HOSE-1/4X25 4FS JIC 3000 PSI	1	
10		126439001	*VALVE PROTECTOR	1	
11		53843195	HOSE-1/4X16 4FS JIC 3000 PSI	3	
12		53843191	HOSE-1/4X12 4FS JIC 3000 PSI	1	
13		65565001	FITTING - 6M O-RING X 6M JIC ST.	1	
14		57940649	HOSE-3/8X25 6FS JIC 3000 PSI	1	
15		53658001	FITTING-4M JICX4 FS JIC 90 DEG	1	
16		61664001	CAP NUT-#4 JIC		
17		68774001	FITTING-6MX6M JIC (RUN)X6M JIC	1	
18		57940283	HOSE-3/8X54 6FS JIC 3000 PSI	1	
19		59403001	CAP NUT - 6 JIC	1	
20		373005	BOLT-1/4-20X5/8 GR5 CARRIAGE	2	
			WITH AUTO SWEEP		
1		350024	1/4-20X2 1/2"GRADE #5HEX BOLT	2	
2		148036001	VALVE - CONTROL	1	Breakdown Fig. 4-12
3		405001	NUT-1/4 NC FLG WHIZ LOCK	2	
4		82930001	FIT-6MX4M JICX4M JIC (BCH) TEE	4	
5		53843715	HOSE-1/4X23 4FS JIC 3000 PSI	2	
6		57968001	6M O-RING 4M JIC STRAIGHT	2	
7		53843183	HOSE-1/4X18 4FS JIC 3000 PSI	1	
8		53843183	*HOSE-1/4X18 4FS JIC 3000 PSI	2	
9		53843325	HOSE-1/4X25 4FS JIC 3000 PSI	1	
10		126439001	*VALVE PROTECTOR	2	
11		53843195	HOSE-1/4X16 4FS JIC 3000 PSI	1	
12		53843191	HOSE-1/4X12 4FS JIC 3000 PSI	1	
13		65565001	FITTING - 6M O-RING X 6M JIC ST.	1	
14		57940649	HOSE-3/8X25 6FS JIC 3000 PSI		
15		53658001	FITTING-4M JICX4 FS JIC 90 DEG	2	
16		61664001	CAP NUT-#4 JIC	1	
17		68774001	FITTING-6MX6M JIC (RUN)X6M JIC	1	
18		57940283	HOSE-3/8X54 6FS JIC 3000 PSI	1	
19		59403001	CAP NUT - 6 JIC	2	
20		373005	BOLT-1/4-20X5/8 GR5 CARRIAGE	1	

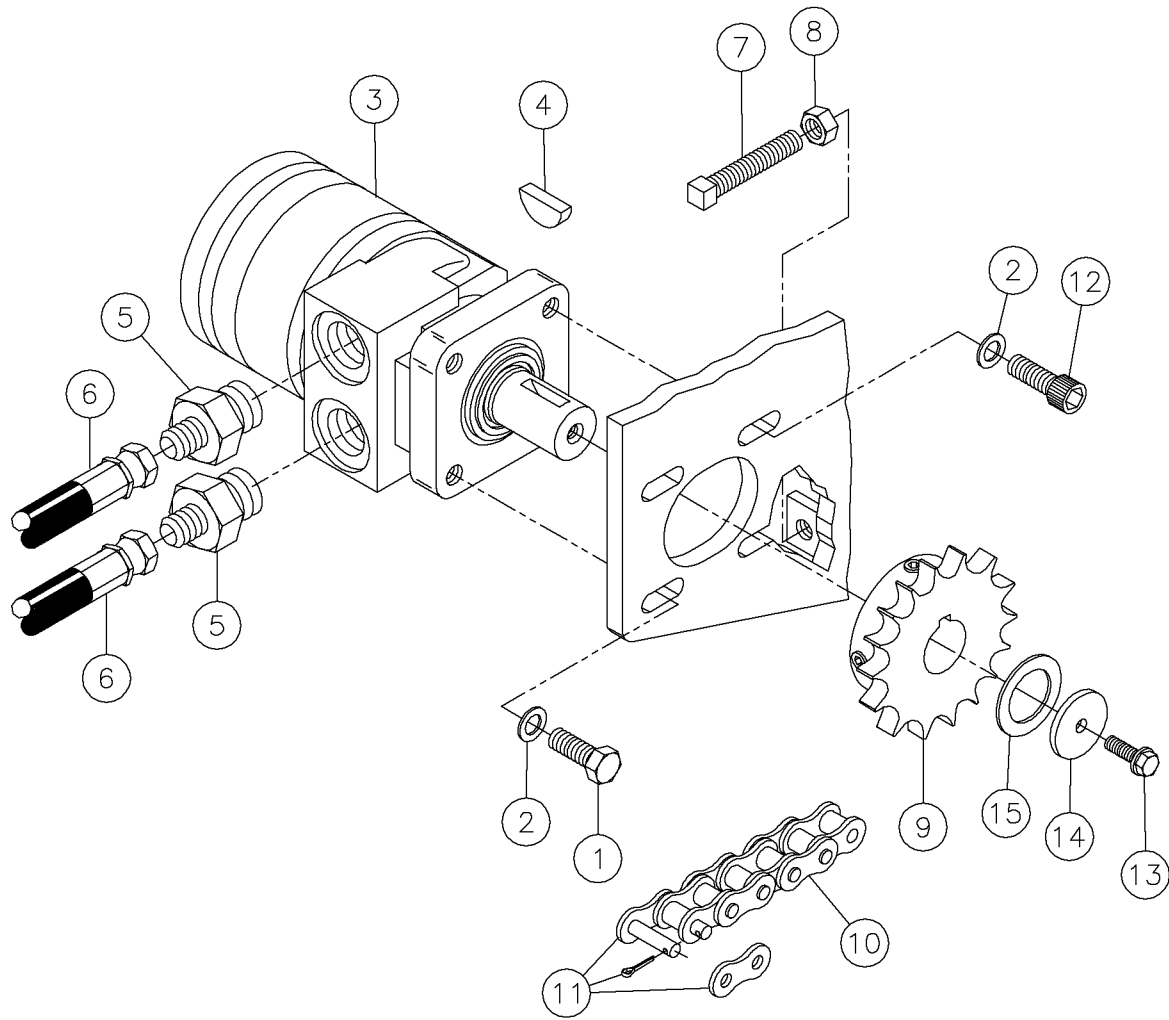
Hydraulic Pump Fig 4-5



Hydraulic Pump Fig 4-5

REF. NO.	*	PART NO.	DESCRIPTION	QTY.	REMARKS
1		350006	BOLT-1/4-20X3/4"GRADE #5 HEX	2	
2		1682001	HUB BSHG - H 9/16 W/1/8 KEY	1	Inc. Ref. No's 1 & 7
3		93874001	SHEAVE-1 GR. AK54H	1	
4		109292001	BELT-V A26 A-SECTION	1	
5		103978010	BOLT-3/8NCX1 BUT.HD.SOCKET	4	
6		78435001	PUMP-#29YBAD015-2LB	1	Breakdown Fig. 4-13 (Inc. Ref. No. 7)
7		4417011	KEY-1/8X1/8X1	1	
8		4536001	NUT - 3/8-16 FLG. WHIZ LOCK	4	
9		98036001	FITTING-3/8M NPT X10M JIC STR.	1	
10		61694001	10M JIC X 10FS JIC 90	1	
11		53842459	HOSE-5/8X42 10FS JIC 3000 PSI	1	
12		57947001	3/8"MX#6JIC ST ADAPTER	1	
13		59419001	6M JICX6FS JIC 45 DEG.ELBOW	1	
14		57940283	HOSE-3/8X54 6FS JIC 3000 PSI	1	
15		59634001	NYTIE - 8"	A/R	
16		66094001	CORDURA SLEEVE .090WALL 1.22ID	A/R	Specify Length

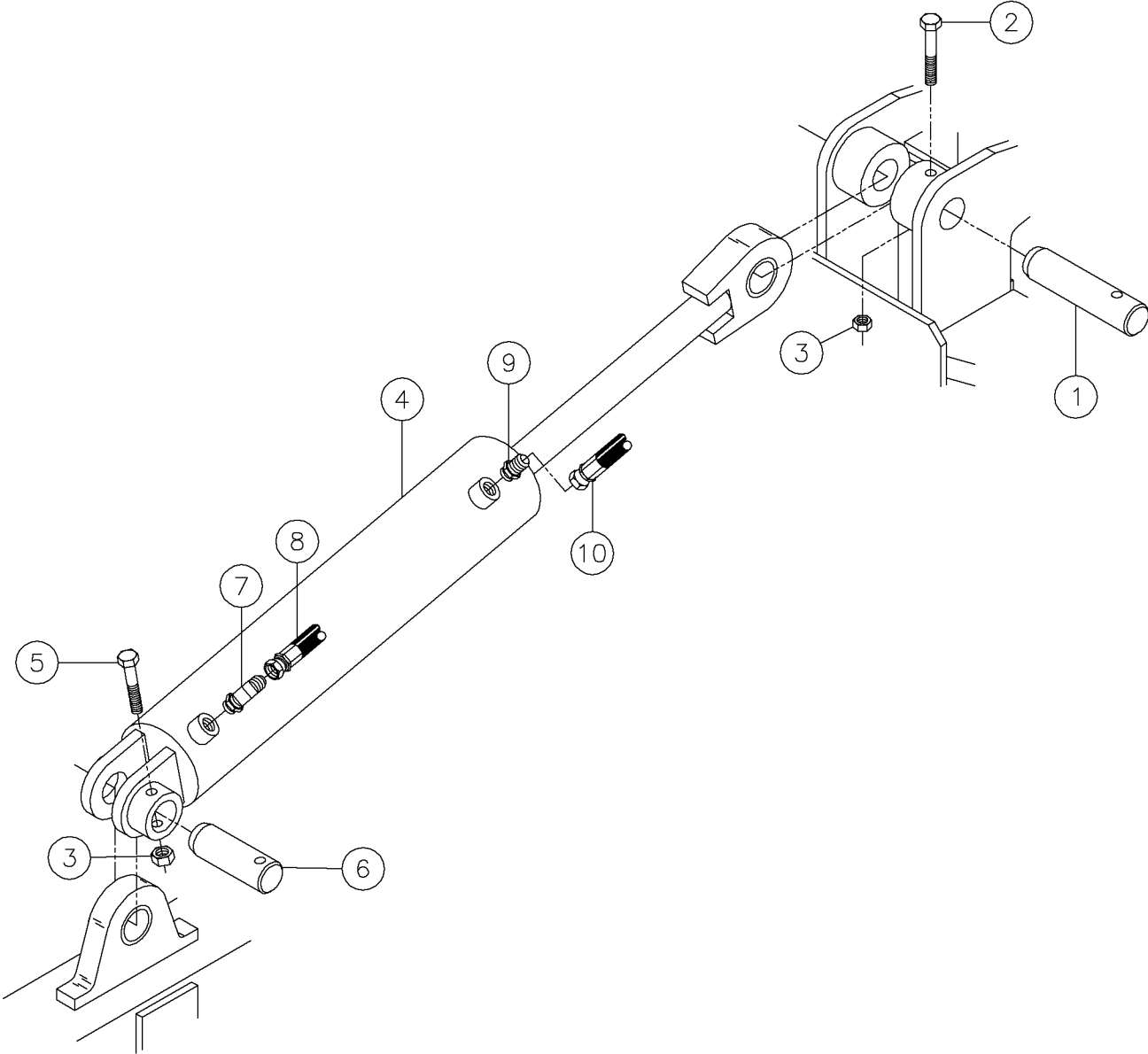
Hydraulic Drive Motor Fig 4-6r01



Hydraulic Drive Motor Fig 4-6r01

REF. NO.	*	PART NO.	DESCRIPTION	QTY.	REMARKS
		Revision Date	November, 2002		Due To Change In Parts Marked With A *.
1		354012	BOLT-3/8 - 16X 1 1/4" GR5 HEX	3	
2	*	127361001	WASHER-3/8 HARD.FLAT/PLATED	4	
3		109330001	MOTOR-HYD.15.9 IN 3 REV	1	Inc. Ref. 4, Breakdown Fig. 4-14
4		542009	WOODRUFF KEY-#15 1/4 X 1	1	
5		57946001	10MX#6JIC ST ADAPTER	2	
6		57940445	HOSE-3/8X20 6FS JIC 3000 PSI	2	
7		549020	SQ HSS-3/8-16X2	1	
8		413001	NUT-3/8 NC HEX JAM	1	
9		56284001	SPRKT.-50B 16H 1BORE/1/4KY/SS	1	
10		1776050	CHAIN-50-1 RC 50 PITCHES	1	Inc. Ref. 11
		1769003	ROLLER LINK - 50-1 PKGD	1	
11		1773003	CONN. LINK - 50-1 SF PKGD	1	
12	*	159285001	BOLT-3/8-16UNCX1 1/4 SOCK HD. PLTD	1	
13		4473006	BOLT-1/4-20X3/4 FLG WHIZ	1	
14		67407001	CAP-MOTOR	1	
15		483005	WASHER-1 1/2X1X14 GA M.B.	A/R	

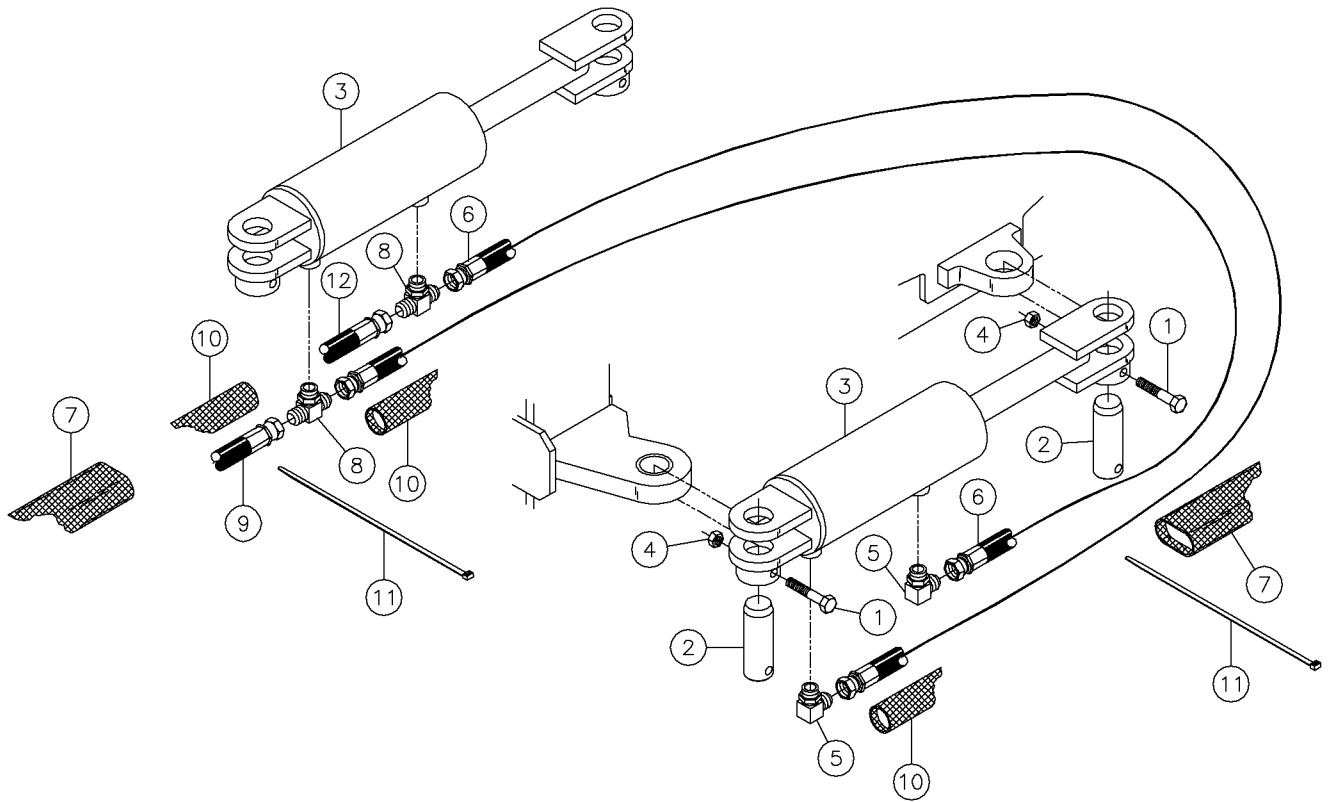
Liftycylinder Fig 4-7



Liftycylinder Fig 4-7

REF. NO.	*	PART NO.	DESCRIPTION	QTY.	REMARKS
1		107233001	PIN, LIFT CYLINDER LUG, TOP	1	
2		351024	5/16-18X2 1/2"GRADE#5 HEX BOLT	1	
3		409001	NUT-5/16 NC SLTL	2	
4		107197001	CYLINDER,2.50-1.00 X 12.00 STR	1	Breakdown Fig. 4-15
5		351020	BOLTS-5/16-18X2"GRADE#5 HEX	1	
6		107205001	PIN, CYLINDER LUG	1	
7		59423001	FIT-4M JICX4M ADJ.90 DEG.ELBOW	1	
8		53843325	HOSE-1/4X25 4FS JIC 3000 PSI	1	
9		60908001	FITTING-4MX4M JIC STR ADAPTER	1	
10		53843715	HOSE-1/4X23 4FS JIC 3000 PSI	1	

Swing Cylinders Fig 4-8

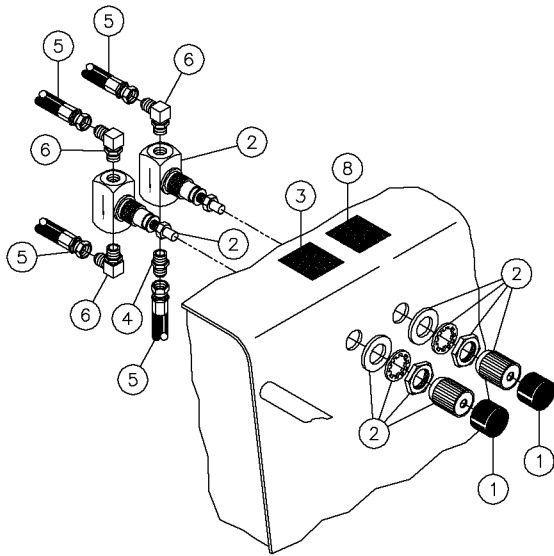


Swing Cylinders Fig 4-8

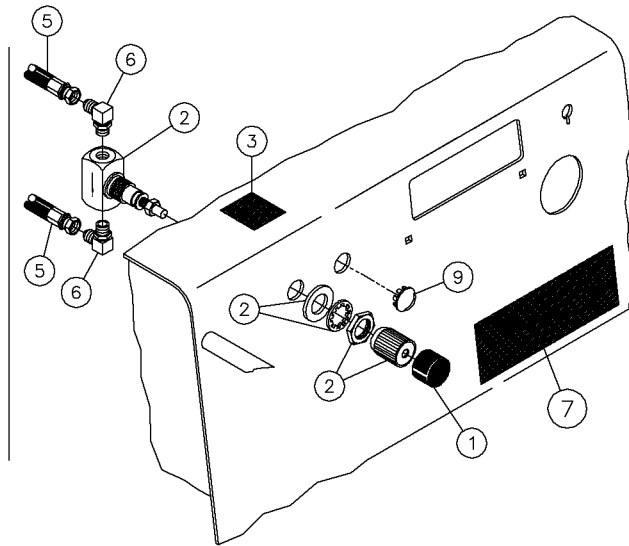
REF. NO.	*	PART NO.	DESCRIPTION	QTY.	REMARKS
1		351020	BOLTS-5/16-18X2"GRADE#5 HEX	4	
2		107205001	PIN, CYLINDER LUG	4	
3		107188001	CYLINDER,2.50-1.00 X 4.00 STR	2	Breakdown Fig. 4-16
4		409001	NUT-5/16 NC SLTL	4	
5		59423001	FIT-4M JICX4M ADJ.90 DEG.ELBOW	2	
6		53843001	HOSE-1/4X30 4FS JIC (100R1)	2	
7		66094001	CORDURA SLEEVE .090WALL 1.22ID	A/R	Specify Length
8		81343001	4M (BCH)X4M JICX4M JIC TEE	2	
9		53843567	HOSE-1/4X46 4FS JIC 3000 PSI	1	
10		83726001	CORDURA SLEEVE-.090WALLX.71ID.	A/R	Specify Length
11		59634001	NYTIE - 8"	A/R	Specify quantity
12		53843679	HOSE-1/4X52 4FS JIC 2500 PSI	1	

Needle Valve Fig 4-9r01

WITH OUT AUTOSWEEP



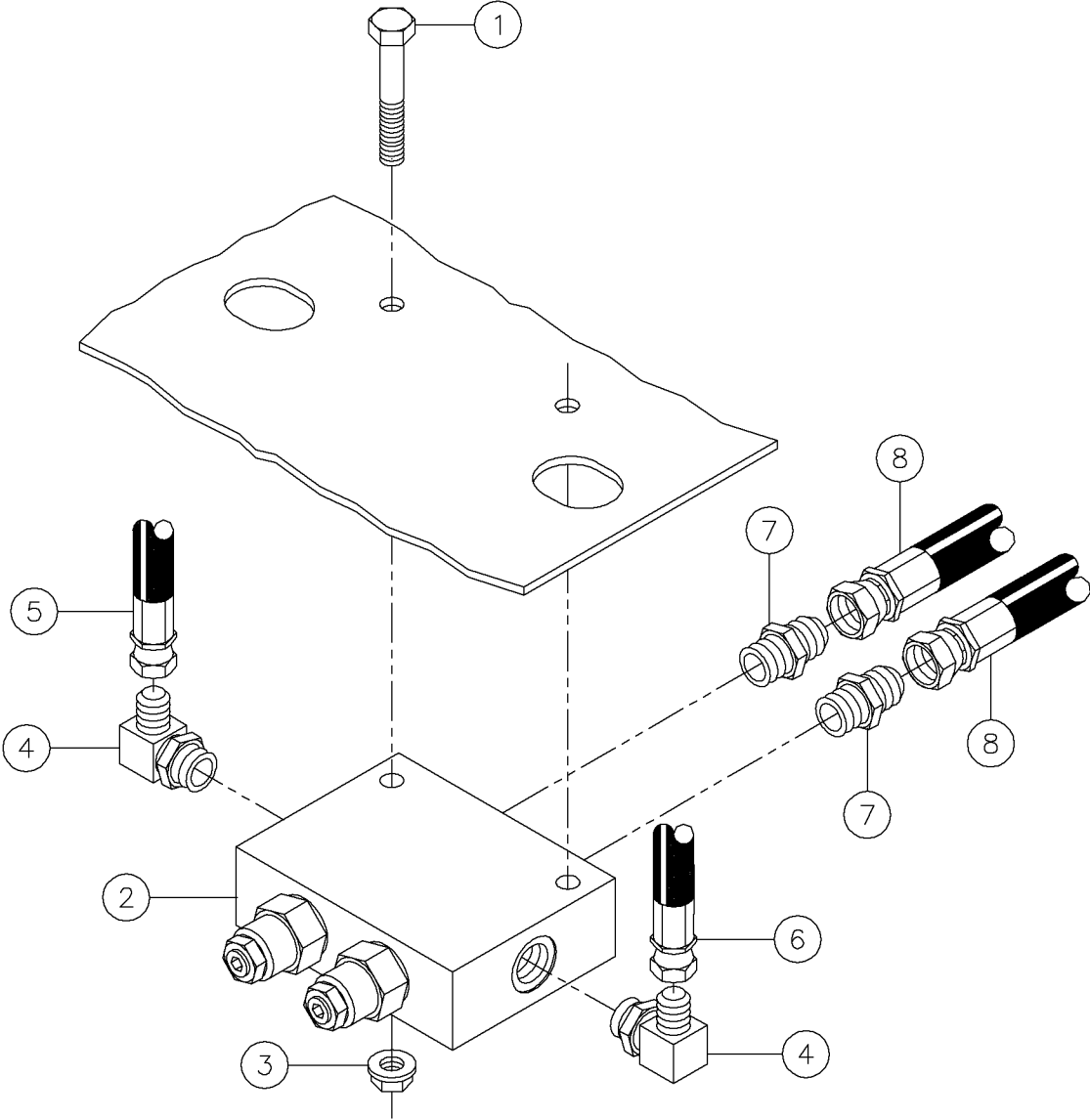
WITH AUTOSWEEP



Needle Valve Fig 4-9r01

REF. NO.	*	PART NO.	DESCRIPTION	QTY.	REMARKS
			WITH OUT AUTOSWEEP		
1		85597001	CAP- 1.062 ID.	2	
2		85598001	NEEDLE VALVE-HYD. #4 SAE PORTS	2	
3		70000906	DECAL-GROUND DRIVE SPEED	1	
4		60908001	FITTING-4MX4M JIC STR ADAPTER	1	
5		53843183	*HOSE-1/4X18 4FS JIC 3000 PSI	4	
6		59423001	FIT-4M JICX4M ADJ.90 DEG.ELBOW	3	
7		7000A313	*DECAL-AUTOSWEEP 6 3/4" (AT)		
8		70000952	DECAL-CROSS SPEED	1	
9		97389009	PLUG-3/4" BLACK DOME		
			WITH AUTOSWEEP		
1		85597001	CAP- 1.062 ID.	1	
2		85598001	NEEDLE VALVE-HYD. #4 SAE PORTS	1	
3		70000906	DECAL-GROUND DRIVE SPEED	1	
4		60908001	FITTING-4MX4M JIC STR ADAPTER		
5		53843183	*HOSE-1/4X18 4FS JIC 3000 PSI	2	
6		59423001	FIT-4M JICX4M ADJ.90 DEG.ELBOW	2	
7		7000A313	*DECAL-AUTOSWEEP 6 3/4" (AT)	2	
8		70000952	DECAL-CROSS SPEED		
9		97389009	PLUG-3/4" BLACK DOME	1	

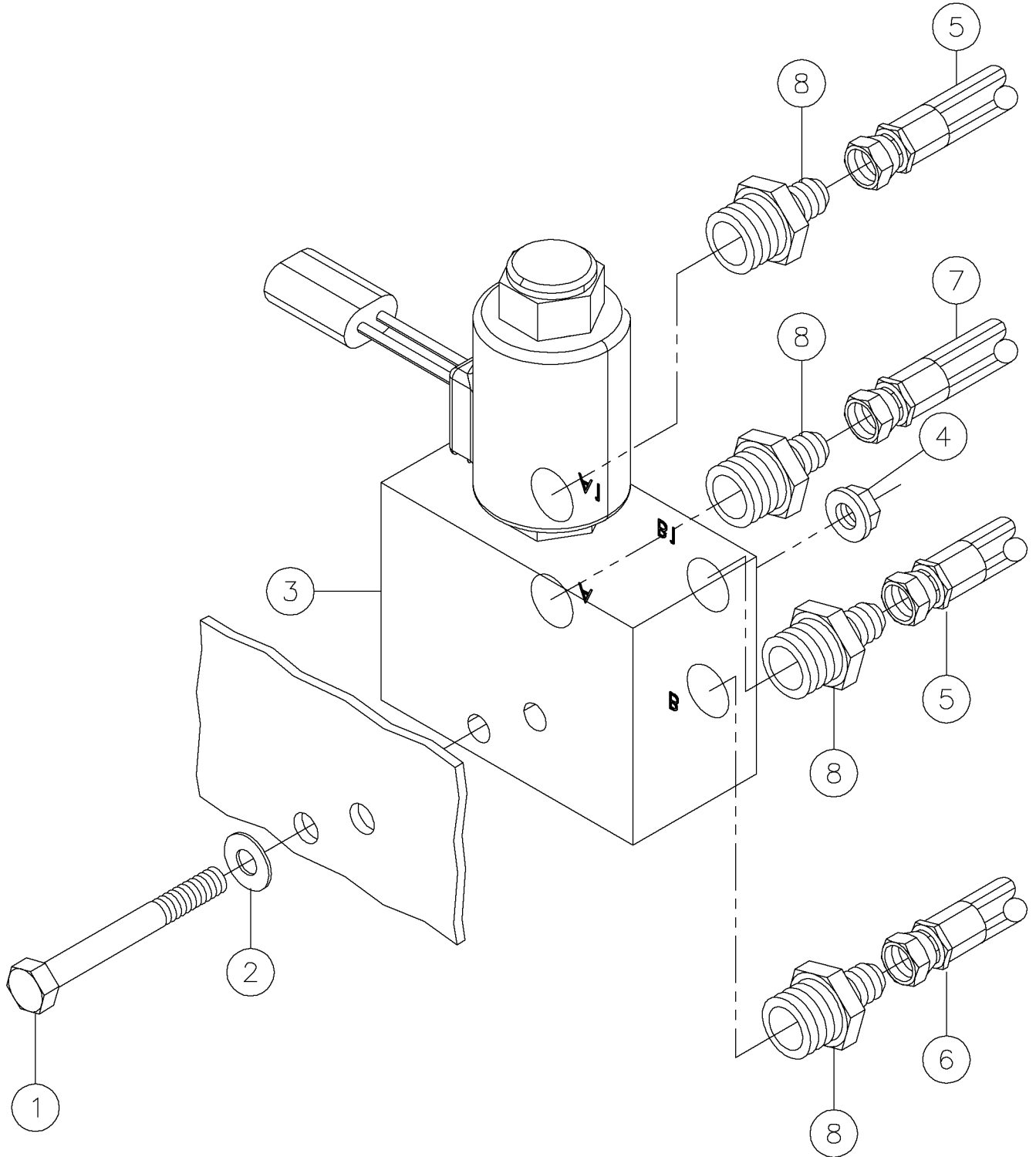
Dual Counter Balance Valve Fig 4-10



Dual Counter Balance Valve Fig 4-10

REF. NO.	*	PART NO.	DESCRIPTION	QTY.	REMARKS
1		351016	BOLT-5/16-18X1 3/4"GRADE#5 HEX	2	
2		109272001	VALVE-DUAL COUNTERBALANCE	1	Breakdown Fig. 4-18
3		408001	NUT-5/16 NC FLG WHIZ LOCK	2	
4		57950001	FITTING-6M X 4 JIC 90 DEG.	2	
5		53843715	HOSE-1/4X23 4FS JIC 3000 PSI	1	
6		53843183	HOSE-1/4X18 4FS JIC 3000 PSI	1	
7		65565001	FITTING - 6M O-RING X 6M JIC ST.	2	
8		57940445	HOSE-3/8X20 6FS JIC 3000 PSI	2	

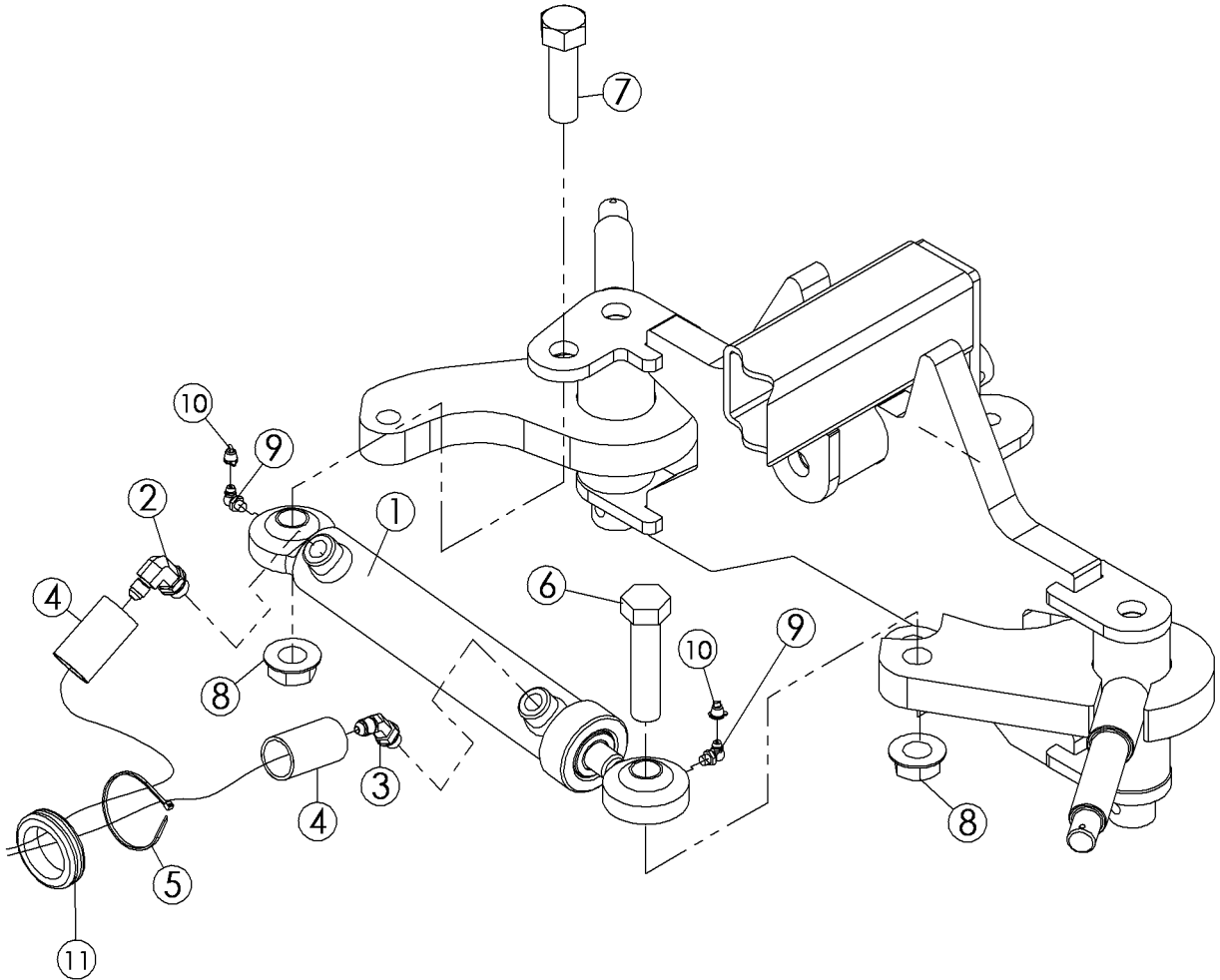
Autosweep Valve Fig 4-11r02



Autosweep Valve Fig 4-11r02

REF. NO.	*	PART NO.	DESCRIPTION	QTY.	REMARKS
1		351026	5/16-18X2 3/4IN.GR. #5HEX BOLT	2	
2		485005	WASHER-5/16 FLAT	2	
3		157300001	VALVE - MANIFOLD AUTOSWEEP	1	
		180006916	CARTRIDGE-BI-DIRECTIONAL CONTROL	1	
		180006917	COIL	1	
4		1809007	NUT - 5/16-18 SM.FLGE.T.L.	2	
5		53843183	*HOSE-1/4X18 4FS JIC 3000 PSI	2	
6		53843567	HOSE-1/4X46 4FS JIC 3000 PSI	1	
7		53843679	HOSE-1/4X52 4FS JIC 2500 PSI	1	
8		53657001	FITTING-8M OR X 4M JIC ST.	2	

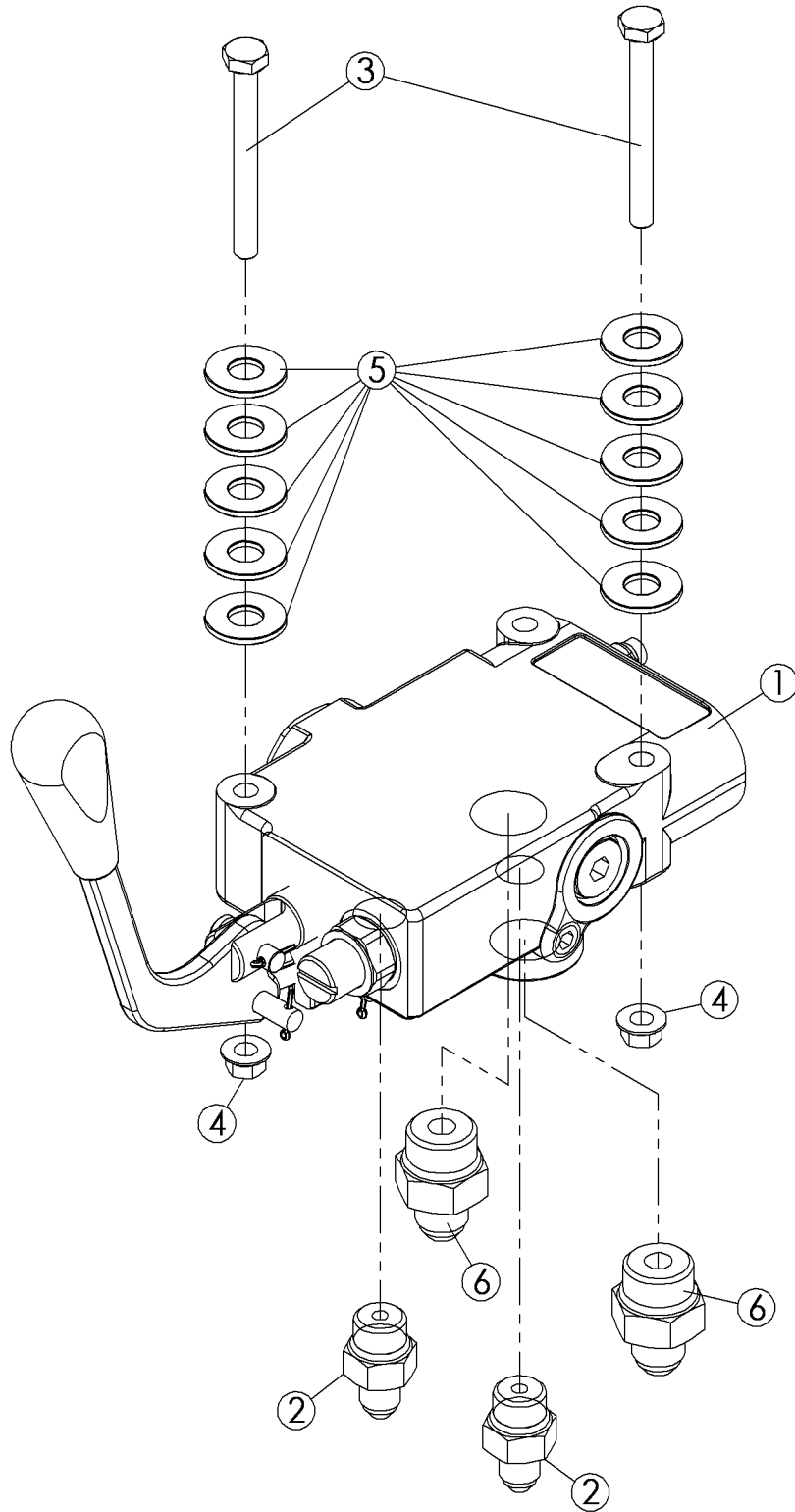
Steering Cylinder Fig 4-11x01



Steering Cylinder Fig 4-11x01

REF. NO.	*	PART NO.	DESCRIPTION	QTY.	REMARKS
		Revision Date	February, 2004		Addition To Manual
1		163621870	CYLINDER 1 1/2X8 1/2	1	Breakdown Fig. 4-20
2		57950001	FITTING-90-4MJ-6MORBA	1	
3		82931001	FITTING-45-4MJ-6MORBA	1	
4		279266001	CORDURA SLEEVE-.090WALL 1.00ID	2	
5		78657001	STRAP-CABLE TIE 4" T18R	3	
6		369032	BOLT-3/4-10X3 1/4 HEX GR5	1	
7		369024	3/4-10X2 1/2" GRADE#5 HEX BOLT	1	
8		1809011	NUT-SMFLGTL-.75-10-G-CZ	2	
9		597001	ZERK-1/4" NF 90 DEG GREASE	2	
10		151808001	GREASE CAP	2	
11		1865009	GROMMET - 2875	1	

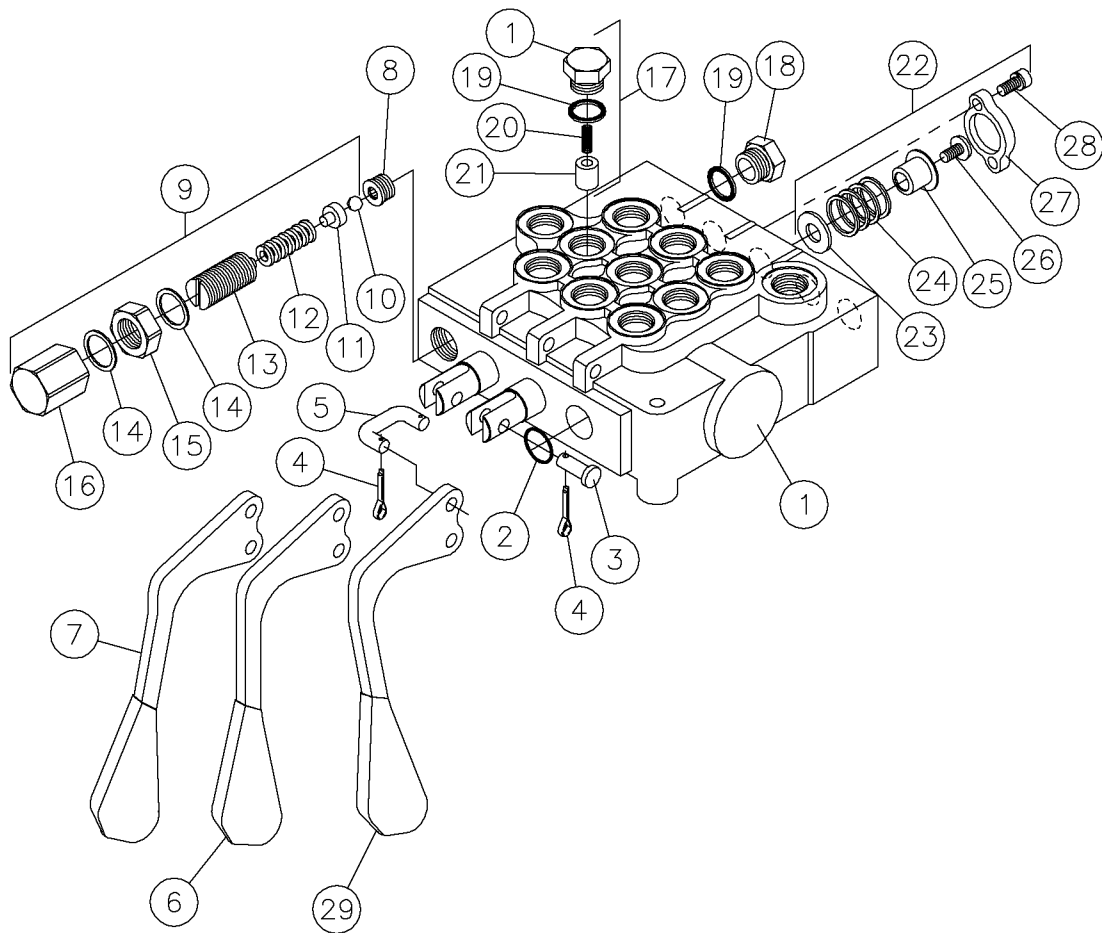
Control Valve Fig 4-11x02



Control Valve Fig 4-11x02

REF. NO.	*	PART NO.	DESCRIPTION	QTY.	REMARKS
		Revision Date	September, 2004		Update In Parts List.
1		180007118	CONTROL VALVE-10 GPM-700 PSI	1	
2		57968001	FITTING-STR-4MJ-6MORB	2	
3	*	180007611	1/4-20X2 1/2"GRADE #5HEX BOLT (PFCN)	2	
4		1809005	NUT-1/4 SM FLGE T.L.	2	
5		485005	WASHER - 5/16 FLAT	10	
6		60247001	FITTING-STR-6MJ-8MORB	2	

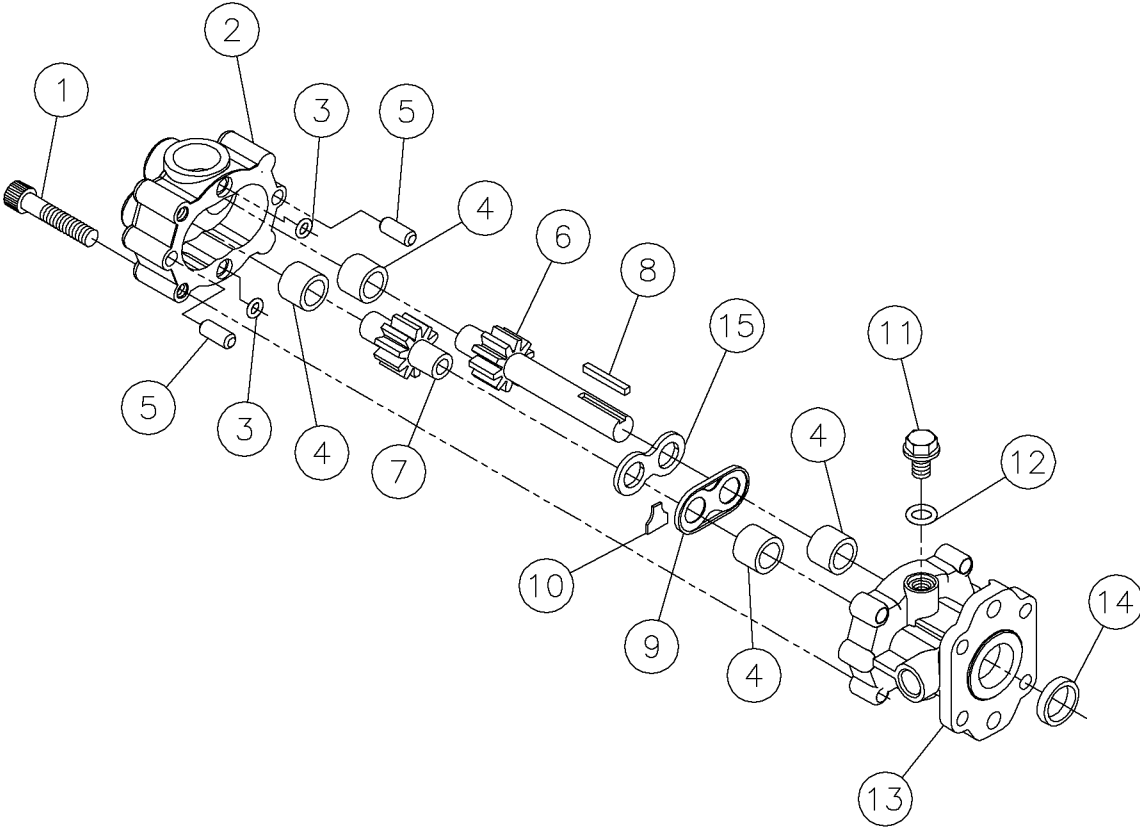
Hydraulic Control Valve Components Fig 4-12



Hydraulic Control Valve Components Fig 4-12

REF. NO.	*	PART NO.	DESCRIPTION	QTY.	REMARKS
1		NSS	BODY & SPOOL ASSEMBLY	1	
2		791009	O-RING	6	
3		83799031	PIN-1/4 X 5/8 UL CLEVIS	3	
4		510005	COTTER PIN-3/32 X 3/4	9	
5		109271003	C-HOOK	3	
6		83799035	HANDLE	1	
7		84555009	HANDLE-BENT RIGHT HANDED	1	
8		84555011	SEAT-RELIEF	1	
9		84555013	VALVE ASSY-RELIEF	1	
10		84555015	BALL-STEEL	1	
11		84555017	RETAINER-BALL	1	
12		84555019	SPRING-RELIEF	1	
13		84555021	SCREW-ADJUSTMENT	1	
14		84555023	GASKET	2	
15		84555025	NUT-JAM	1	
16		84555027	CAP-RELIEF	1	
17		83799017	LOAD CHECK	1	
18		83799019	PLUG	5	
19		16138031	O-RING	5	
20		83799021	SPRING	3	
21		83799023	POPPET-LOAD CHECK	1	
22		84555029	KIT-SPRING CENTER	3	
23		109271005	WASHER	3	
24		83799049	SPRING-RETURN	3	
25		84555033	SPACER	3	
26		84555035	SCREW	3	
27		83799045	CAP-END	3	
28		84555037	SCREW W/LOCK WASHER	6	
29		84555007	HANDLE-BENT LEFT HANDED	1	
		148036001	VALVE-CONTROL		Inc. Ref. No's 1-29
		84555003	REPAIR KIT		Inc. Ref. No's 2 & 14

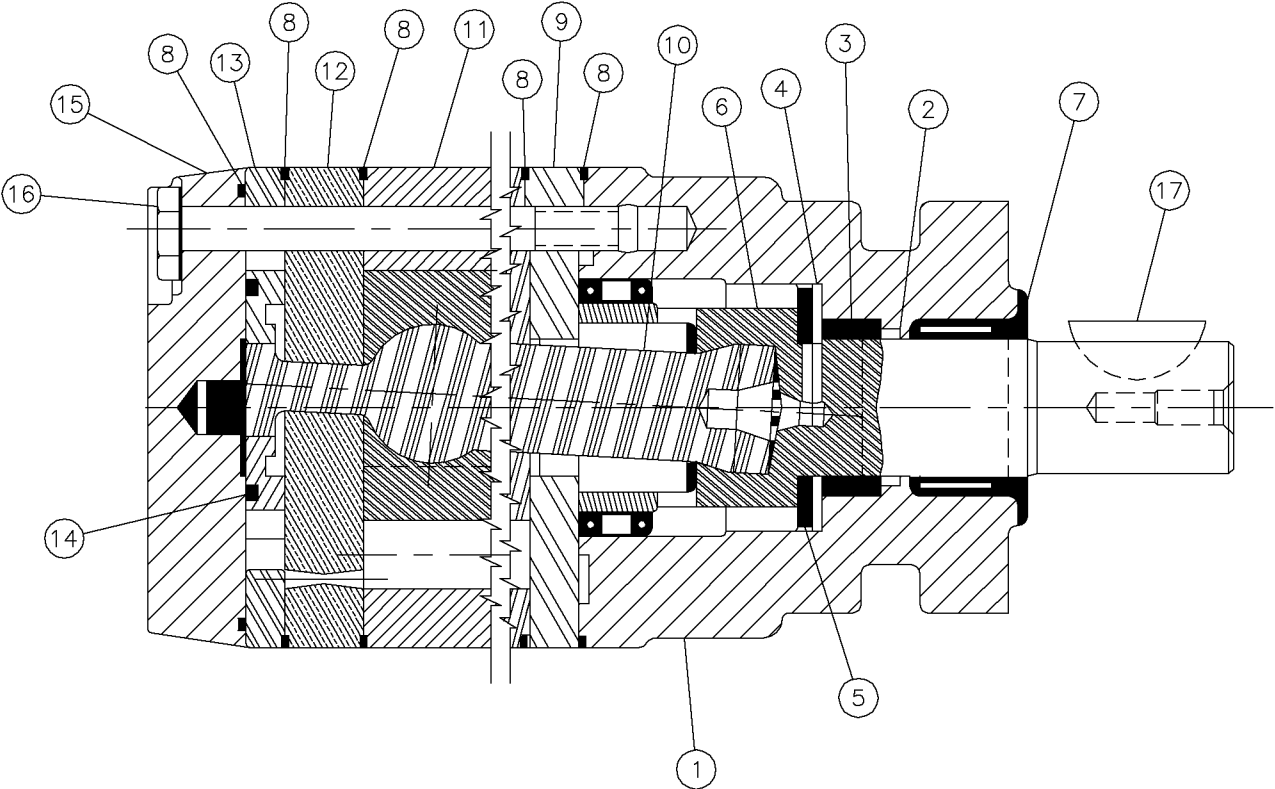
Hydraulic Pump Components Fig 4-13



Hydraulic Pump Components Fig 4-13

REF. NO.	*	PART NO.	DESCRIPTION	QTY.	REMARKS
1		351014	BOLT-5/16-18X1 1/2"GRADE#5 HEX	4	
2		788005	COVER ASSY	1	INC. TWO OF REF. 4
3		5546007	O-RING	2	
4		788009	BEARING-NEEDLE	4	
5		788011	PIN-DOWEL	2	
6		788013	DRIVE ASSY	1	
7		788015	IDLER ASSY	1	
8		4417011	KEY-1/8X1/8X1	1	
9		5546015	SEAL ASSY	1	
10		5546017	BLOCK-ANTI-EXTRUSION	1	
11		78435003	SCREW	2	
12		788017	O-RING	2	
13		78435005	BODY ASSY	1	Inc. Ref. No's 4, 11, 12, & one of ref. 14
14		83337011	SEAL SHAFT	1	
15		5546021	PLATE-WEAR	1	
		78435001	PUMP		Inc. Ref. No's 1-15
		78433003	REPAIR KIT		Inc. Ref. No's 3, 9, 14, & 15

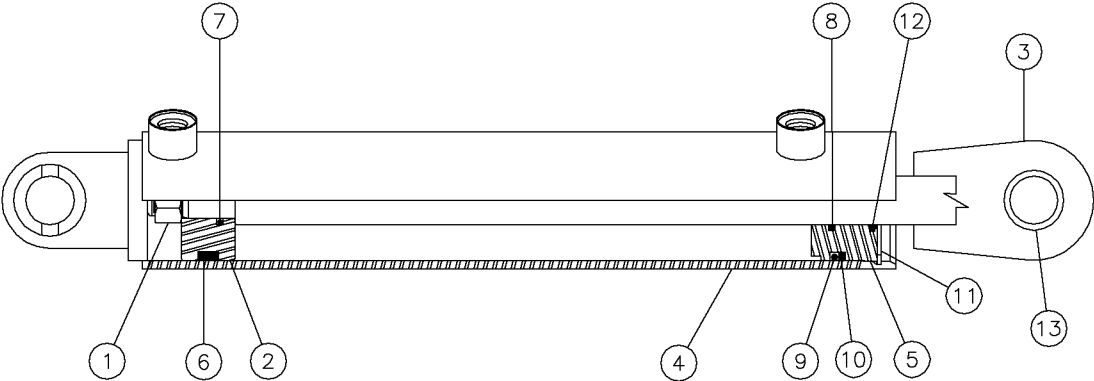
Hydraulic Motor Components Fig 4-14



Hydraulic Motor Components Fig 4-14

REF. NO.	*	PART NO.	DESCRIPTION	QTY.	REMARKS
1		109330003	HOUSING	1	
2		93285033	BACKUP WASHER	1	
3		93285031	INNER SEAL	1	
4		93285029	THRUST WASHING	1	
5		93285027	THRUST BEARING	1	
6		93285021	COUPLING SHAFT	1	
7		93285039	DIRT & WATER SEAL	1	
8		93285009	SEAL-RING	5	
9		93285017	WEAR PLATE	1	
10		109330005	DRIVE LINK	1	
11		109330007	ROTOR SET (MATCHED SET)	1	
12		93285013	MANIFOLD	1	
13		93285011	COMMUTATOR RING ASSY	1	
14		1768013	BONDED RING-032435	1	
15		109330009	END COVER	1	
16		109330011	BOLT	5	
17		542009	WOODRUFF KEY-#15 1/4 X 1	1	
		109330001	MOTOR-HYD.15.9 IN 3 REV		Inc. Ref. No's 1-17
		93285003	REPAIR KIT		Inc. Ref. No's 2,3,7,8, & 14

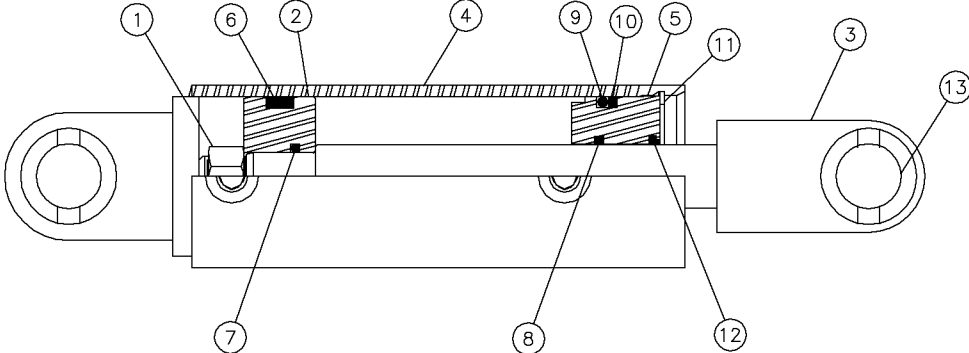
Hydraulic Cylinder Components 2 1/2 X 12 Fig 4-15



Hydraulic Cylinder Components 2 1/2 X 12 Fig 4-15

REF. NO.	*	PART NO.	DESCRIPTION	QTY.	REMARKS
1		396001	NUT-5/8-18 GR 8 SLTL	1	
2		107189001	PISTON, CYLINDER	1	
3		107198001	ROD ASSEMBLY	1	Inc. Ref. No. 13
4		107203001	BODY, CYLINDER	1	
5		77911001	GLAND-	1	
6		19510001	UNI-RING	1	
7		792029	O-RING	1	
8		53623001	ROD SEAL-30-100108-250	1	
9		19514001	ORING	1	
10		19513001	BACK-UP WASHER	1	
11		602250	SNAP RING-INT	1	
12		53624001	WIPER-50-9 GROVER	1	
13		68776001	BUSHING-FIBERGLASS 1 1/4ODX1X1	1	
		107197001	CYLINDER,2.50-1.00 X 12.00 STR		Inc. Ref. No.'s 1-13
		115186001	REPAIR KIT		Inc. Ref. No.'s 6-12

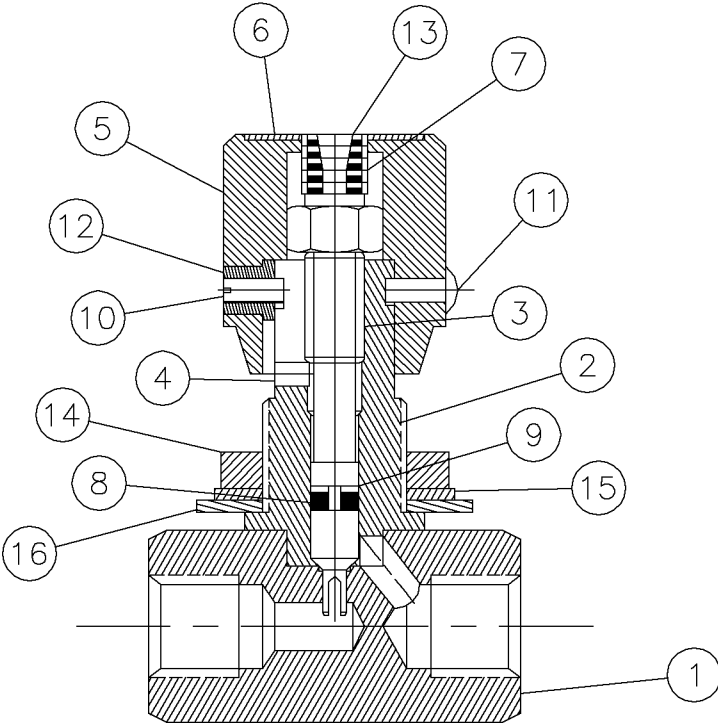
Hydraulic Cylinder Components 2 1/2 X 4 Fig 4-16



Hydraulic Cylinder Components 2 1/2 X 4 Fig 4-16

REF. NO.	*	PART NO.	DESCRIPTION	QTY.	REMARKS
1		396001	NUT-5/8-18 GR 8 SLTL	1	
2		107189001	PISTON, CYLINDER	1	
3		107190001	ROD ASSEMBLY	1	Inc. Ref. No. 13
4		107195001	BODY, CYLINDER	1	
5		77911001	GLAND-	1	
6		19510001	UNI-RING	1	
7		792029	O-RING	1	
8		53623001	ROD SEAL-30-100108-250	1	
9		19514001	ORING	1	
10		19513001	BACK-UP WASHER	1	
11		602250	SNAP RING-INT	1	
12		53624001	WIPER-50-9 GROVER	1	
13		127585001	BOSS-CYLINDER PIN RETAINER		
		115186001	REPAIR KIT		Inc. Ref. No.'s 6-12
		107188001	CYLINDER,2.50-1.00 X 4.00 STR		Inc. Ref. No.'s 1-13

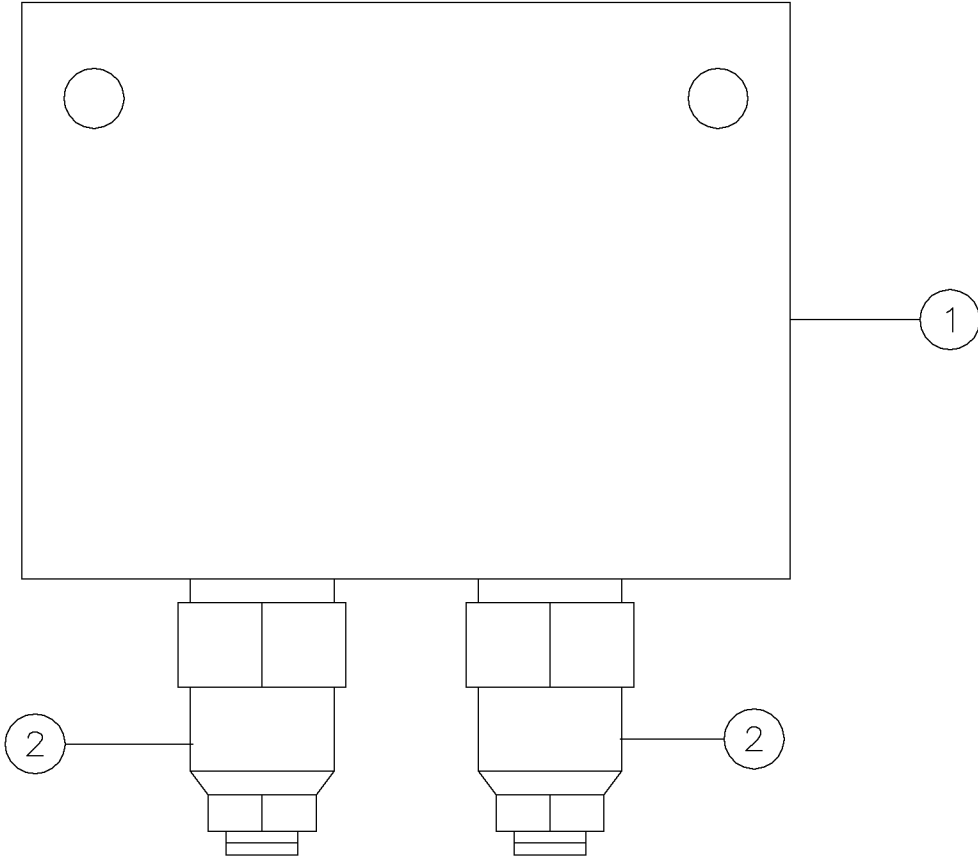
Needle Valve Components Fig 4-17



Needle Valve Components Fig 4-17

REF. NO.	*	PART NO.	DESCRIPTION	QTY.	REMARKS
1		85598003	HOUSING	1	
2		85598005	GUIDE-SPINDLE	1	
3		85598007	SPINDLE	1	
4		85598009	SCREW-SAFETY	1	
5		85598011	KNOB	1	
6		85598013	PLATE-NAME	1	
7		85598015	CAP	1	
8		85598017	O-RING	1	
9		85598019	RING-BACKUP	1	
10		85598021	SCREW-LOCKING	1	
11		85598023	PIN-PAN HEAD	1	
12		85598025	BUSHING-THREADED	1	
13		85598027	INDICATOR - FLOW	1	
14		NSS	NUT	1	
15		NSS	WASHER-LOCK	1	
16		NSS	WASHER-FLAT	1	
		85598001	NEEDLE VALVE-HYD. #4 SAE PORTS		Inc. Ref. No.'s 1-16
		153720001	PANEL MOUNT KIT		Inc. Ref. No.'s 14,15,16

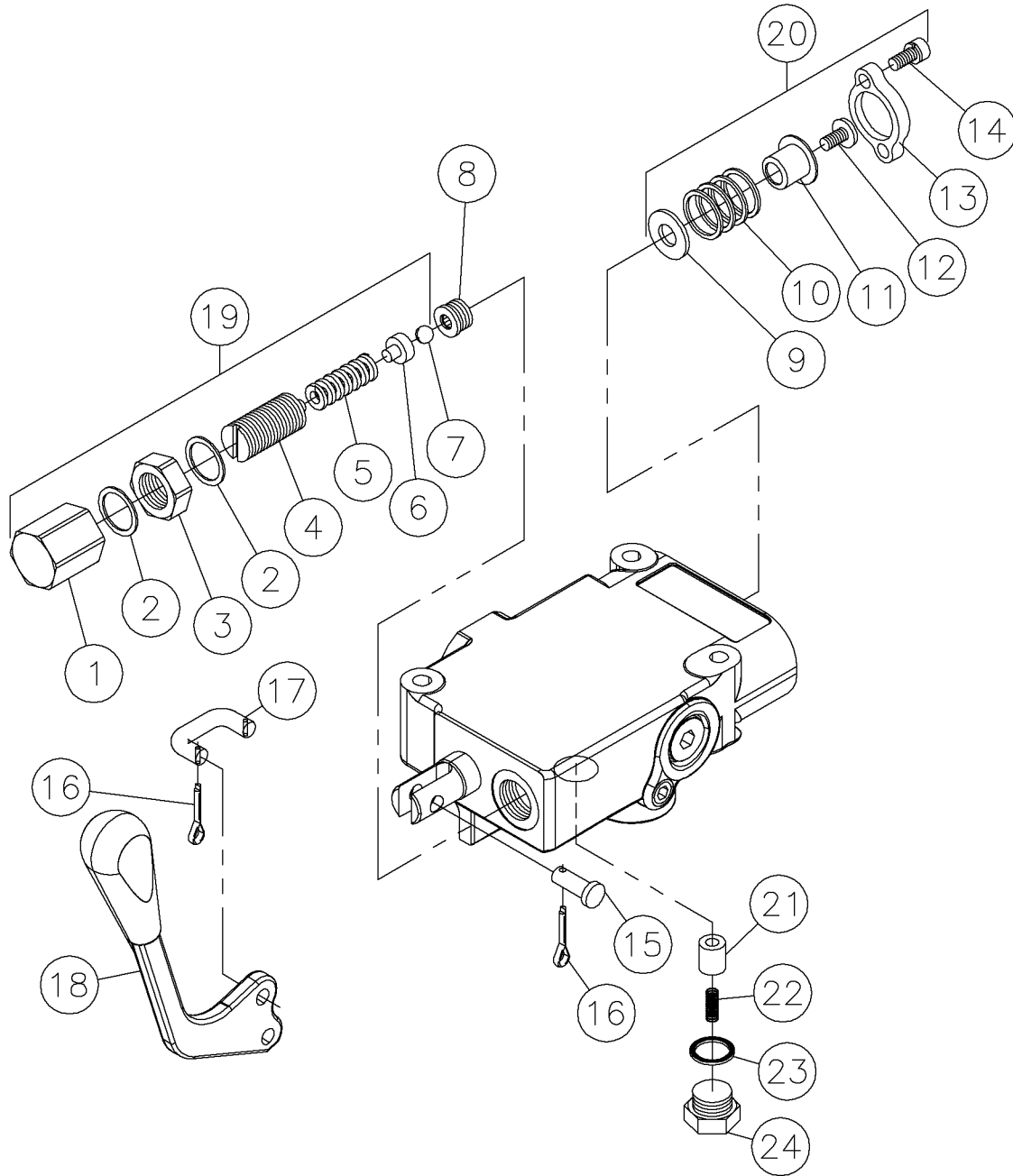
Dual Counter Balance Valve Components Fig 4-18



Dual Counter Balance Valve Components Fig 4-18

REF. NO.	*	PART NO.	DESCRIPTION	QTY.	REMARKS
1		109272003	BLOCK-VALVE	1	
2		109272005	CARTRIDGE-COUNTERBALANCE	2	
		99541023	REPAIR KIT-COUNTERBALANCEVALVE	2	
		109272001	VALVE-DUAL COUNTERBALANCE		Inc. Ref. No's 1 & 2

Hydraulic Control Valve Components Fig 4-19r01



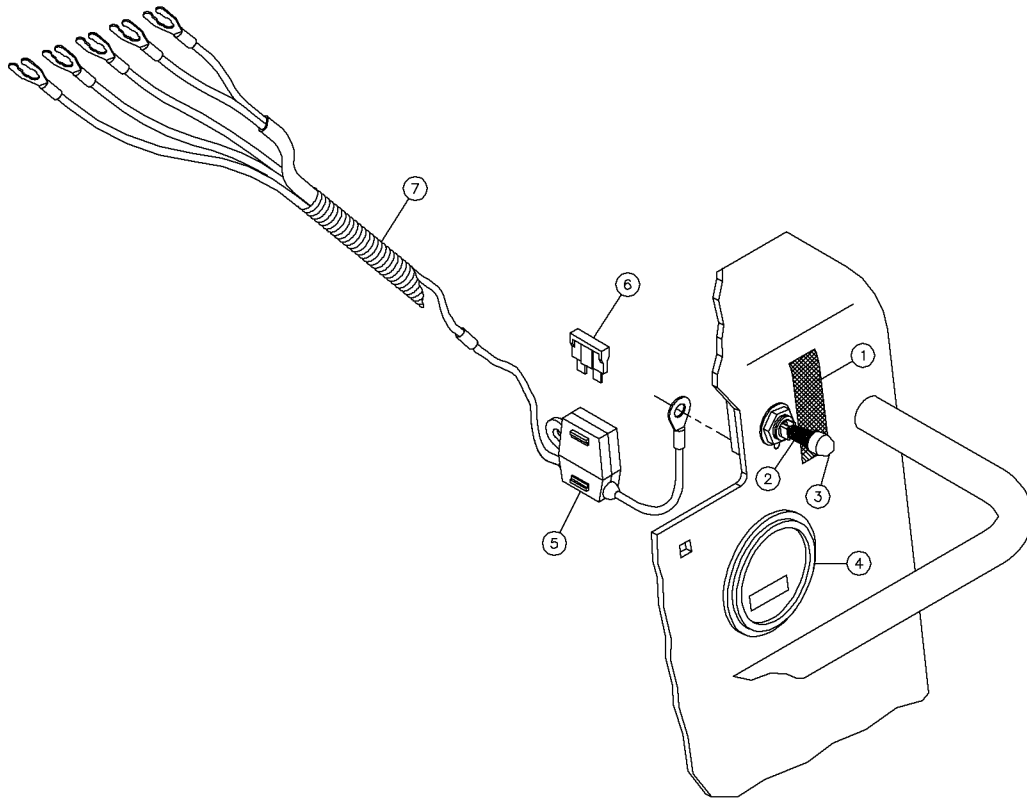
Hydraulic Control Valve Components Fig 4-19r01

REF. NO.	*	PART NO.	DESCRIPTION	QTY.	REMARKS
1		84555027	CAP-RELIEF	1	
2		84555023	GASKET	1	
3		84555025	NUT-JAM	1	
4		84555021	SCREW-ADJUSTMENT	1	
5			*SPRING-RELIEF	1	NOT SOLD SEPERATELY
6		84555017	RETAINER-BALL	1	
7		84555015	BALL-STEEL	1	
8		84555011	SEAT-RELIEF	1	
9		109271005	WASHER	1	
10		217248021	SPRING	1	
11		84555033	SPACER	1	
12		84555035	SCREW	1	
13		83799045	CAP-END	1	
14		84555037	SCREW W/LOCK WASHER	1	
15		83799031	PIN-1/4 X 5/8 UL CLEVIS	1	
16		510005	COTTER PIN-3/32" X 3/4"	2	
17		111513003	C-HOOK	1	
18		83799035	HANDLE	1	
19		180007080	*KIT-RELIEF VALVE ASSY	1	Inc. Ref. 1-7
20		217248023	SPRING CENTER KIT	1	Inc. Ref. 9-14
21			*POPPET-LOAD CHECK	1	NOT SOLD SEPERATELY
22			*SPRING-LOAD CHECK	1	NOT SOLD SEPERATELY
23			*O-RING 114N70G	1	NOT SOLD SEPERATELY
24			*BODY & SPOOL ASSEMBLY	1	NOT SOLD SEPERATELY
		83799017	LOAD CHECK KIT	1	Inc. Ref. 21-24
		180007118	CONTROL VALVE - 10GPM - 700PSI		Inc. Ref. 1-18, 21-24

Hydraulic Cylinder Components 1 1/2 X 8 1/2 Fig 4-20

REF. NO.	*	PART NO.	DESCRIPTION	QTY.	REMARKS
		Revision Date	February, 2004		Addition To Manual
1		NSS	ORING-PISTON	1	
2		163620365	PISTON	1	
3		NSS	POLY-HONE	1	
4		202722001	LOCKNUT	1	
5		NSS	BARREL ASSEMBLY	1	
6		163620364	ROD ASSEMBLY	1	
7		NSS	THREADED CAP	1	
8		NSS	WIPER-ROD	1	
9		598001	FITTING-1/4" NF ST GREASE ZERK	2	
10		NSS	U-CUP (LOADED)	1	
11		NSS	GLAND	1	
12		NSS	WASHER-BACK-UP	1	
13		NSS	O-RING	1	
14		NSS	O-RING		
15		163620366	SEAL KIT	1	Inc. Ref. 1,3,8,10,12,13,14
		163621870	CYLINDER - 1.5 X 8.5 X 0.75		Inc. Ref. 1-8, 10-14

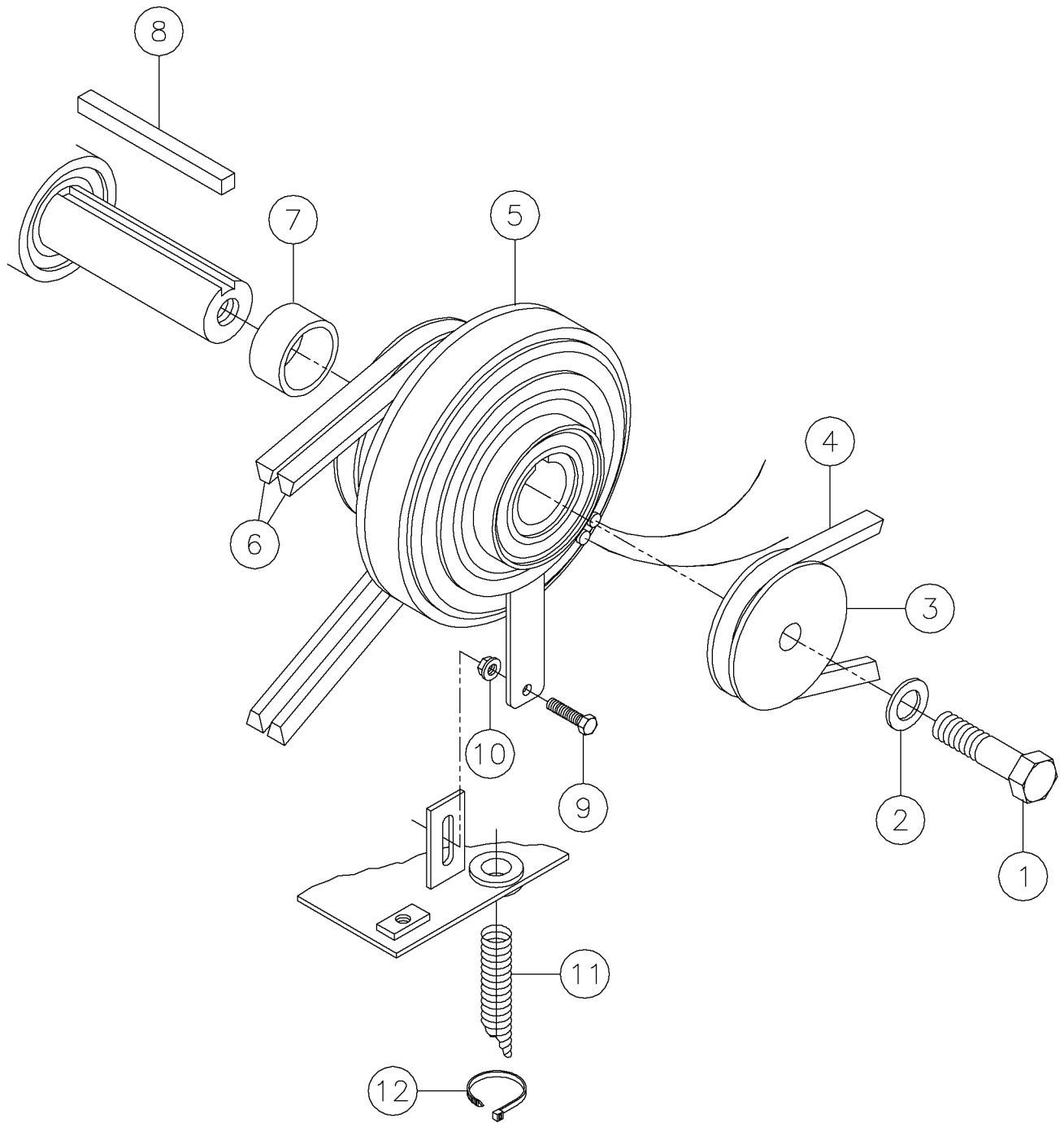
Controls With Autosweep Fig 5-1



Controls With Autosweep Fig 5-1

REF. NO.	*	PART NO.	DESCRIPTION	QTY.	REMARKS
1		70000904	DECAL-CLUTCH CONTROL	1	
2		70000985	DECAL-ARROW PULL	1	
3		115298001	SWITCH-DPST W/LEVERLOCK TYPE G	1	
4		215914001	GAUGE-HR METER 876EM SLD.STATE	1	
5		141434001	FUSEHOLDER - INLINE ATO/BLADE	1	
6		141435001	FUSE-5 AMP	1	
7		126454001	WIRE HARNESS	1	

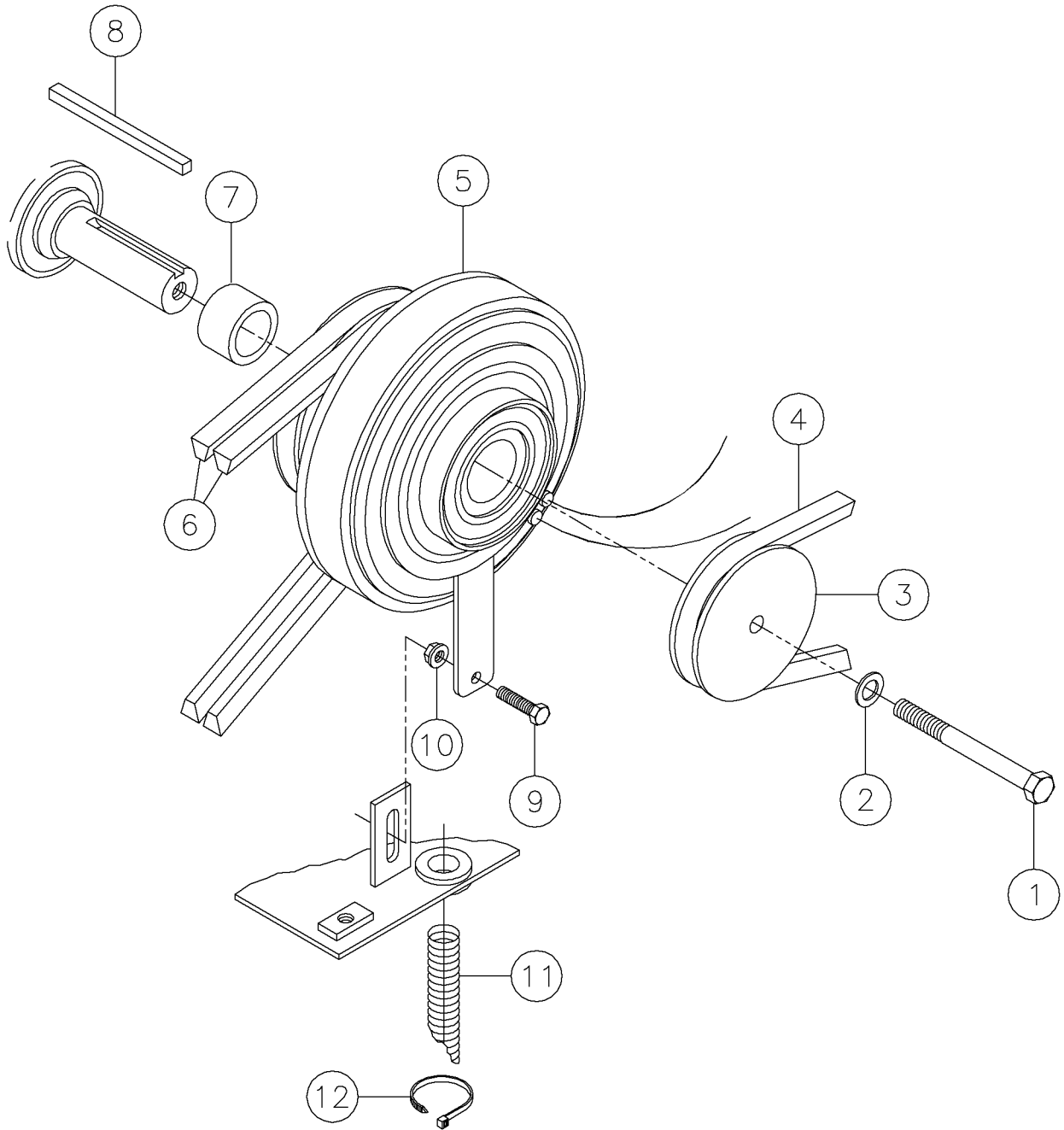
Electric Clutch - Kohler Fig 5-2r01



Electric Clutch - Kohler Fig 5-2r01

REF. NO.	*	PART NO.	DESCRIPTION	QTY.	REMARKS
		Revision Date	November, 2004		Update In Parts List.
1		384024	5/8-18X2 1/2"GRADE#8HEX BOLT	1	
2		85706001	WASHER-5/8 HARDEN	1	
3		126410001	PUMP PULLEY	1	
4		109292001	BELT-V A26 A-SECTION	1	
5	*	180007180	ELECTRIC CLUTCH/BRAKE-OGURA	1	
6		123173001	BELT-A64 MATCHED PAIR	1	
7		126415001	SPACER, CLUTCH	1	
8		579031	HKEY-3/8 X 3/8 X 3 3/4	1	
9		350010	1/4-20 X 1" GRADE #5 HEX BOLT	1	
10		1809005	NUT-1/4 SM FLGE T.L.	1	
11		86220001	LOOM-FLEX GARD HI TEMP 1/2 ID	A/R	Specify Length
12		78657001	STRAP-CABLE TIE 4" T18R	A/R	Specify Quantity

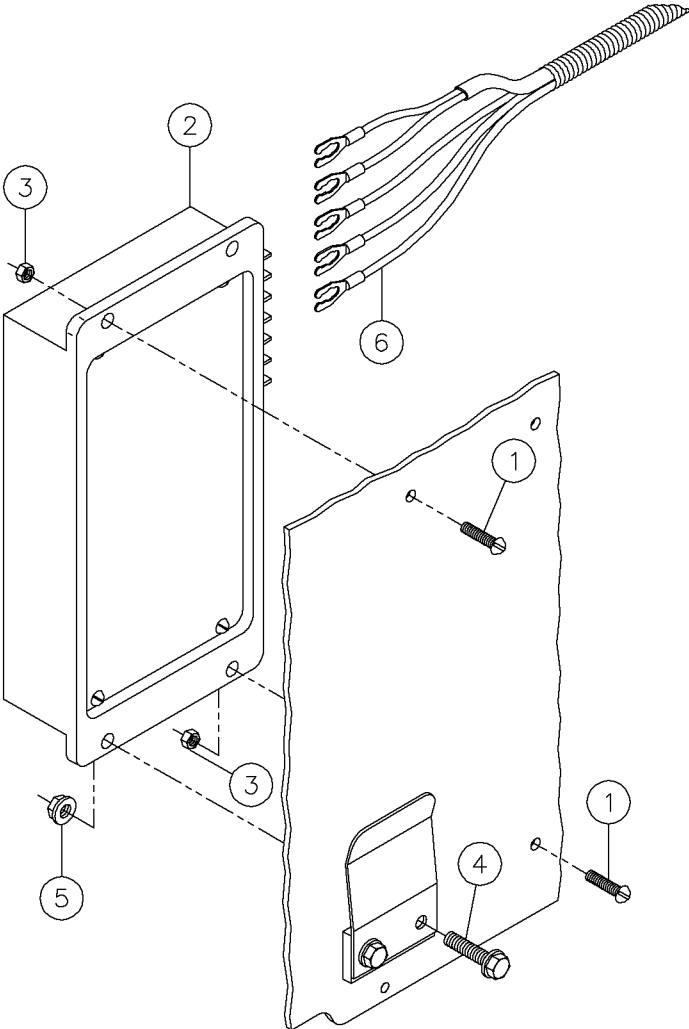
Electric Clutch - Honda Fig 5-3



Electric Clutch - Honda Fig 5-3

REF. NO.	*	PART NO.	DESCRIPTION	QTY.	REMARKS
1		3931036	BOLT-3/8-24X3 3/4 GRADE 8 HEX	1	
2		99397001	WASHER-3/8 HARDEN ASTM-A325	1	
3		113654001	PUMP PULLEY	1	
4		109292001	BELT-V A26 A-SECTION	1	
5		109339001	CLUTCH-ELECTRIC 220 LB-FT	1	
6		123173001	BELT-A64 MATCHED PAIR	1	
7		113655001	SPACER	1	
8		578029	HKEY-1/4 X 1/4 -3 3/4	1	
9		350010	1/4-20 X 1" GRADE #5 HEX BOLT	1	
10		1809005	NUT-1/4 SM FLGE T.L.	1	
11		86220001	LOOM-FLEX GARD HI TEMP 1/2 ID	A/R	Specify Length
12		78657001	STRAP-CABLE TIE 4" T18R	A/R	

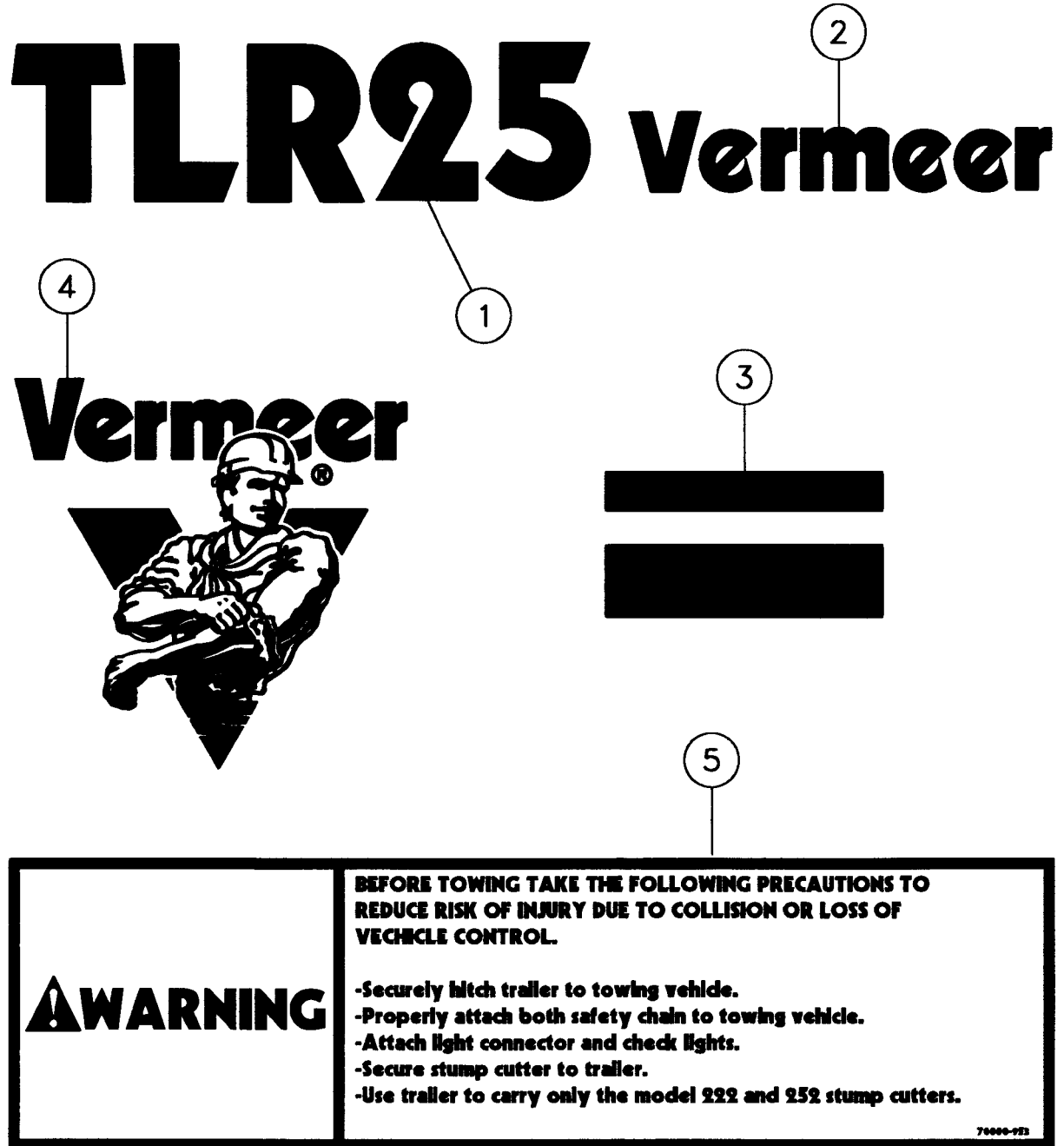
Autosweep Speed Control Switch Fig 5-4r02



Autosweep Speed Control Switch Fig 5-4r02

REF. NO.	*	PART NO.	DESCRIPTION	QTY.	REMARKS
1		507610025	*SCREW-HFS,M6-1.00X25,10.9,YZ,D6921,FT	3	
2		180008209	AUTOSWEEP CONTROLLER 99,E258 DIGITAL	1	Honda 20 Hp, Kohler 25 Hp
3		507085006	*NUT-HEXFLNG LOCK,M6-1.00,10.9,YZ,D6927	3	
4		4473010	BOLT-1/4-20X1 FLANGE WHIZ	1	
5		1809005	NUT-1/4 SM FLGE T.L.	1	
6		126454001	WIRE HARNESS	1	KOHLER 25 HP
		126456001	WIRE HARNESS	1	HONDA

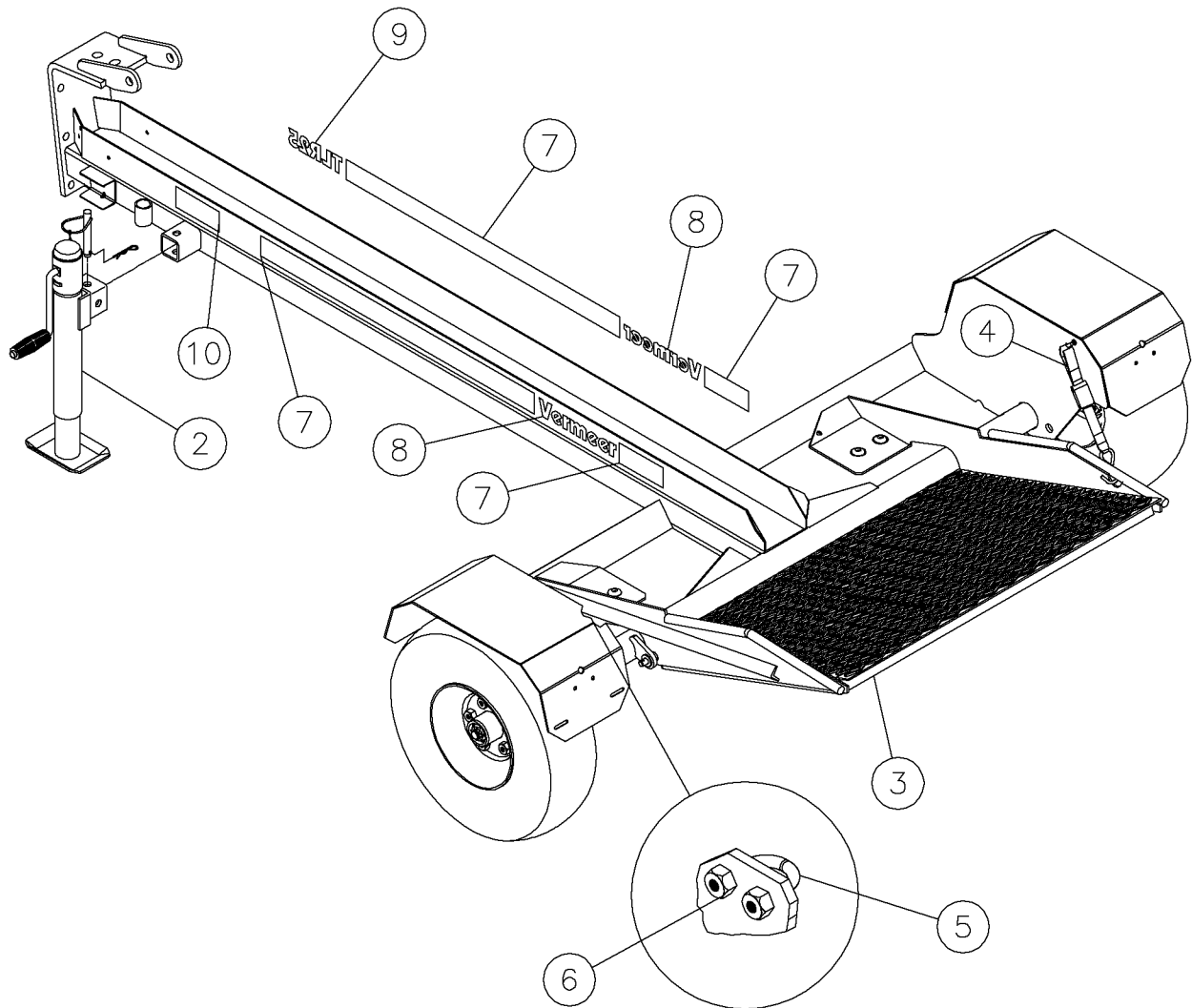
Decal Fig 6-1



Decal Fig 6-1

REF. NO.	*	PART NO.	DESCRIPTION	QTY.	REMARKS
1		7000A412	DECAL-MODEL TLR25 (AT)	1	
2		2326621	DECAL- VERMEER 2 3/8 X 11 7/8	2	
3		70000773	DECAL 2"VERMEER STRIPE	A/R	Specify Length
4		70000784	DECAL 6"VERMEER LOGO	2	
5		70000953	DECAL-WARNING	1	
		84531292	DECAL ASSEMBLY TLR-25		Inc. Ref. No.'s 1-5

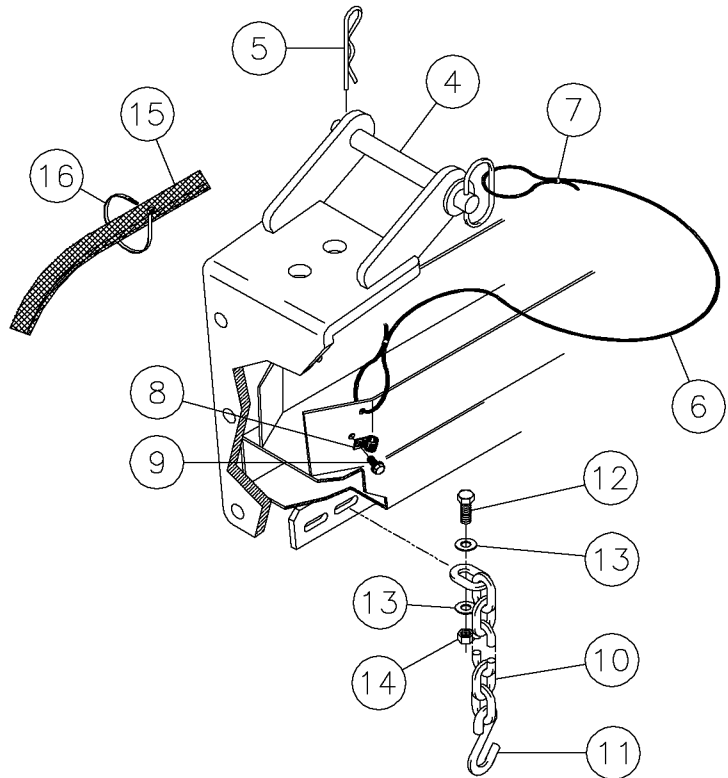
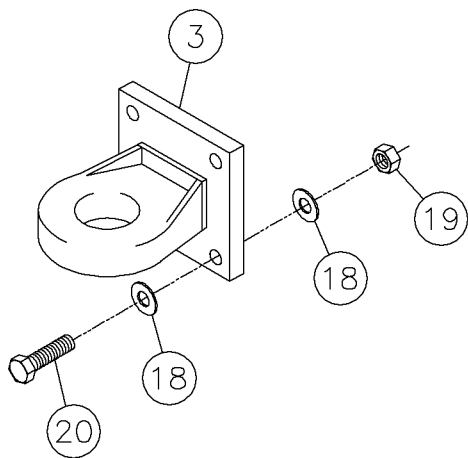
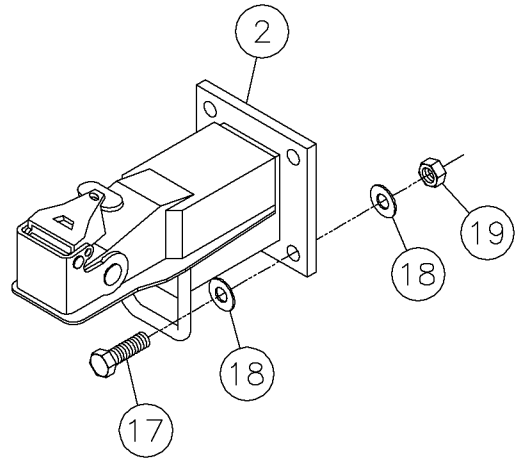
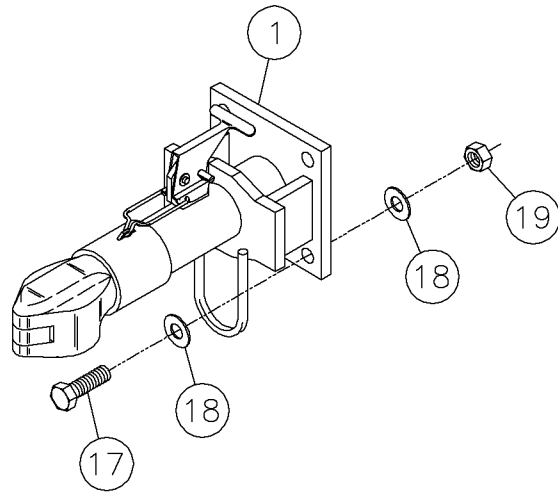
Trailer Frame Fig 6-2



Trailer Frame Fig 6-2

REF. NO.	*	PART NO.	DESCRIPTION	QTY.	REMARKS
1		128365001	TRAILER FRAME - TLR25	1	
2		147551001	JACK-SIDEWIND 2000#	1	
3		128364001	RAMP ASSEMBLY	1	
4		130378001	STRAP-28" TIE DOWN 1200 LB.	2	
5		1984005	CLAMP-1/2 MALLABLE CABLE	2	
6		420001	NUT-7/16 NC SLTL	4	
7		70000773	DECAL 2"VERMEER STRIPE	A/R	Specify Length
8		2326621	DECAL- VERMEER 2 3/8 X 11 7/8	2	
9		7000A412	DECAL-MODEL TLR25 (AT)	1	
10		70000953	DECAL-WARNING	1	

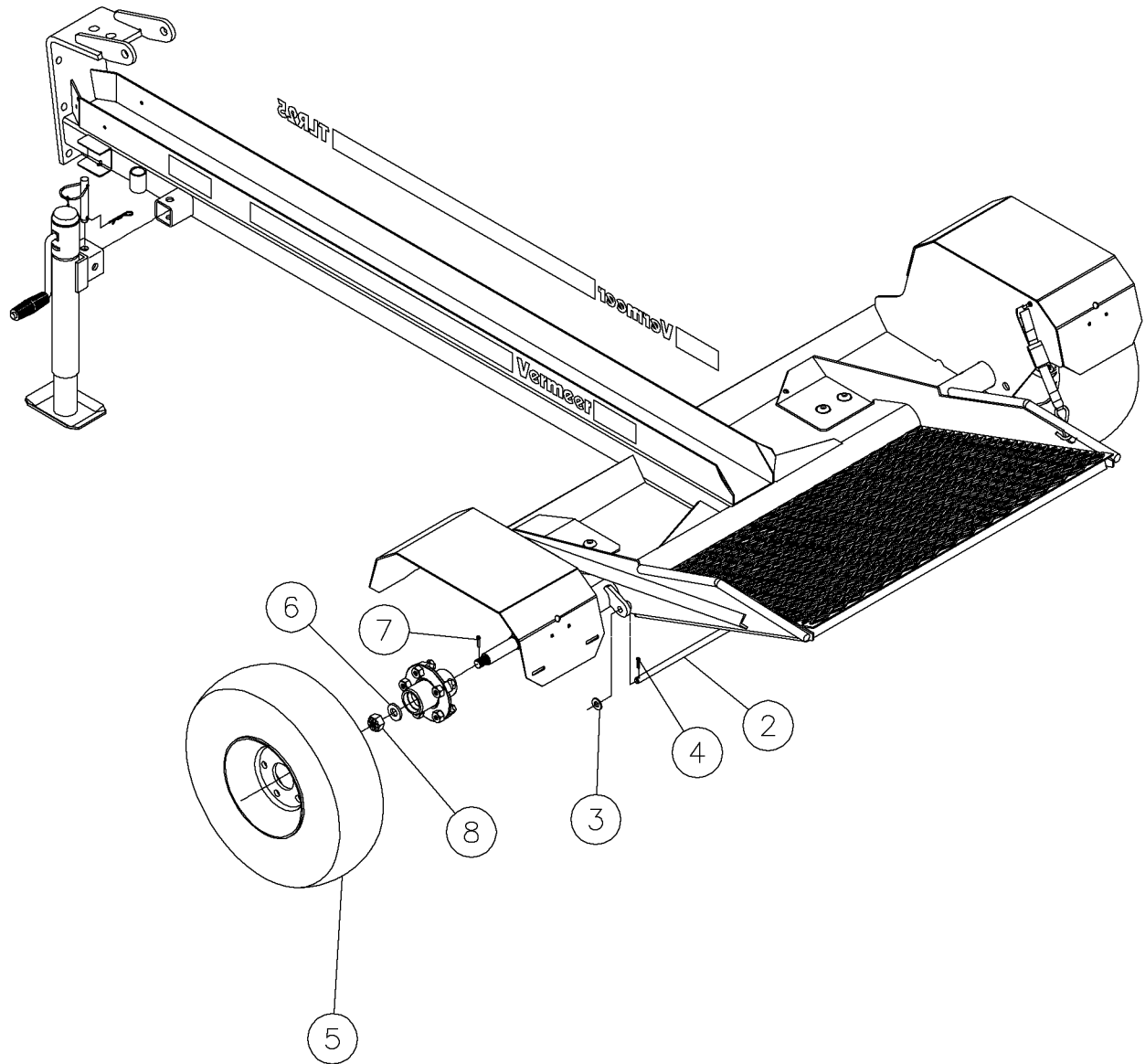
Hitch Fig 6-3r01



Hitch Fig 6-3r01

REF. NO.	*	PART NO.	DESCRIPTION	QTY.	REMARKS
1		93805001	HITCH-BULLDOG	1	
2		104768001	2"BALL HITCH	1	
3		93771001	HITCH-RING 4BOLT 2 1/2 ID	1	
4		2107007	PIN-HITCH 3/4 X 6	1	
5		1794003	HAIR PIN COTTER - .148 WIRE	1	
6		1830035	CABLE-3/32 NYLON COATED-24"	1	
7		1838001	CONNECTOR-WIRE (ETC)	2	
8		2595001	HOSE CLAMP - TS7FR 1/2"	1	
9		352004	5/16-18X1/2 GR5HXSLF TAP WA HD	1	
10		86518013	1/4(7.0MM) PROOF COIL CH.-44.0	2	
11		86502001	HOOK-7/16 "S"	2	
12	*	235727001	BOLT-3/8-16X1 GR8 HEX ZINC PLT	2	
13		99397001	WASHER-3/8 HARDEN ASTM-A325	4	
14		15289001	NUT-3/8-16NC SLTL GRADE 8	2	
15		86220001	LOOM-FLEX GARD HI TEMP 1/2 ID	A/R	Specify Length
16		78657001	STRAP-CABLE TIE 4" T18R	A/R	Specify Quantity
17		27169020	BOLT-5/8-11NCX2 GR.8 HEX	4	
18		85706001	WASHER-5/8 HARDEN	8	
19		75385001	NUT-5/8-UNC GR.8 HEX	4	
20		27169022	BOLT-5/8-UNCX2 1/4 GR.8 HEX	4	

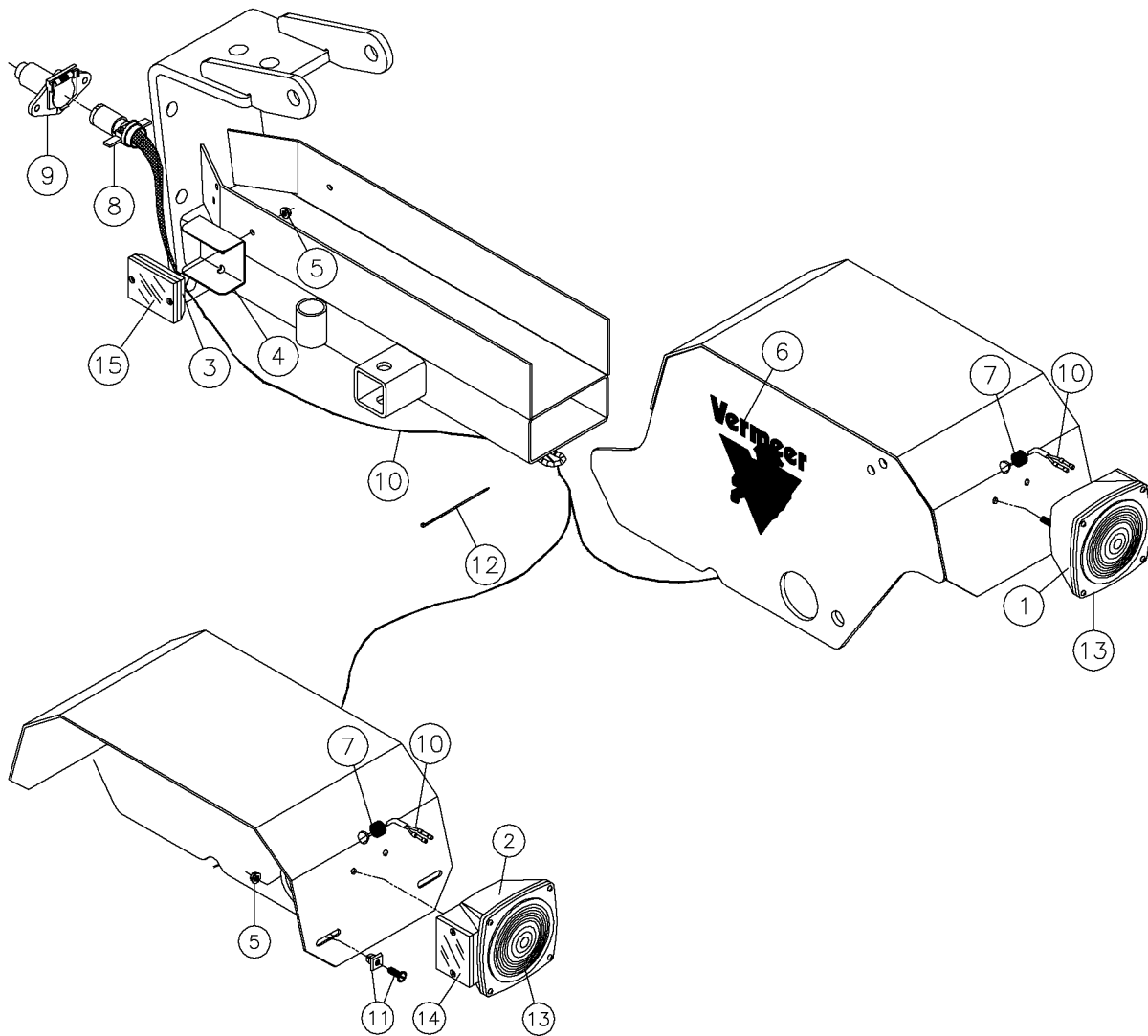
Wheel & Tire Fig 6-4



Wheel & Tire Fig 6-4

REF. NO.	*	PART NO.	DESCRIPTION	QTY.	REMARKS
1		127348001	HUB & SPINDLE ASSY- 5 BOLT	2	Breakdown Fig. 6-6
2		128367001	HINGE PIN - TAILGATE/RAMP	1	
3		86510001	WASHER-1/2 FLT HARDENED	2	
4		510021	COTTER PIN-3/16" X 1"	2	
5		113636001	WHEEL ASSY-5.70X8 TIRE-5 BOLT	2	
6		1651003	WASHER-SPINDLE	2	
7		510017	COTTER PIN-5/32" X 1 1/2"	2	
8		458001	NUT-3/4 N.F. SLOTTED HEX	2	

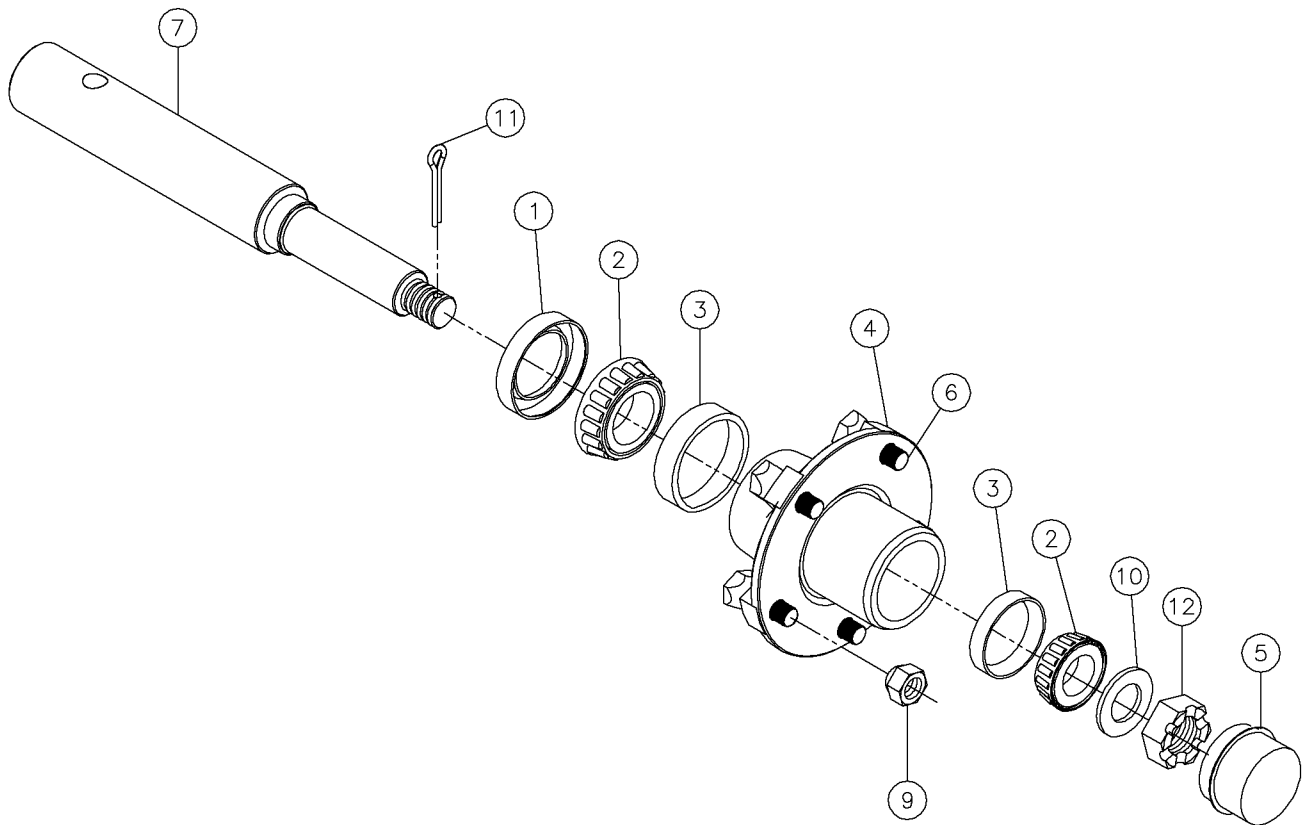
Taillights Fig 6-5r02



Taillights Fig 6-5r02

REF. NO.	*	PART NO.	DESCRIPTION	QTY.	REMARKS
1		109309001	LIGHT-STOP & TAIL M440	1	
2		109313001	LIGHT-STOP & TAIL M44OL	1	
3		109310001	LIGHT-AMBER CLEARANCE M114A	2	
4		109314001	LIGHT PROTECTOR	2	
5		405001	NUT-1/4 NC FLG WHIZ LOCK	8	
6		70000784	DECAL 6"VERMEER LOGO	2	
7		1865027	GROMMET-5/16ID-1/8GR-.56 HOLE	2	
8		1463001	PLUG-6 POLE 1236 M	1	
9		1462001	CONN.-6 POLE 1235 F	1	
10	*	159286001	HARNESSTLR25	1	
11		126100001	SCREW-LICENSE PLATE FASTENER	2	
12	*	78657001	STRAP-CABLE TIE 4"	17	
13		109313003	LENS-REAR RED	1	
14		109313005	LENS-SIDE RED	1	
15		109310003	LENS-AMBER	1	

Hub Fig 6-6



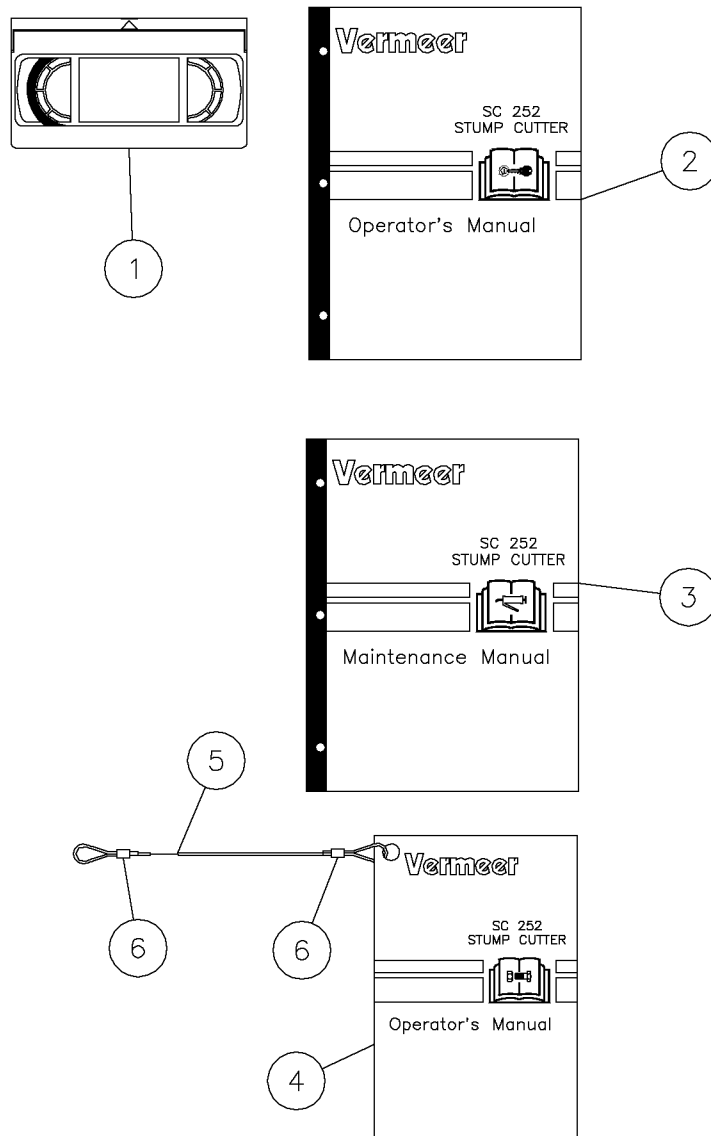
Hub Fig 6-6

REF. NO.	*	PART NO.	DESCRIPTION	QTY.	REMARKS
1		123029011	SEAL	1	
2		900025007	CONE OUTER	2	
3		1715035	TIMKEN CUP 1" L44610	2	
4		127348001	HUB & SPINDLE ASSY- 5 BOLT	1	Inc. Ref. No.'s 1-3, 5-12
5		123029013	CAP-HUB	1	
6		123029007	STUD-1/2" - 20 X 1 7/8"	5	
7		84465001	SPINDLE-AXLE	1	
8		358030	1/2-13X3"GRADE#5HEX BOLT	1	
9		1973001	NUT-1/2 NF LUG 60 TAP/.807 A/F	1	
10		1651003	WASHER-SPINDLE	1	
11		510019	COTTER PIN-5/32" X 2"	1	
12		458001	NUT-3/4 N.F. SLOTTED HEX	2	

International Decal Listing Fig 8-1

REF. NO.	*	PART NO.	DESCRIPTION	QTY.	REMARKS
		Revision Date	September, 2004		Update In Illustration & Parts List.
1		700IC244	DECAL-WARNING 6 PANEL	1	
2		700IC115	DECAL-WARNING ROLLOVER	1	
3		700IC275	DECAL-WARNING CLOSE SHIELDS	1	
4		2326I324	DECAL-WARNING EXPLOSION	1	
5		2326I756	DECAL-HYDRAULIC FLUID	1	
6		7000I044	DECAL-WARNING	1	
7		7000I902	DECAL-DRIVE WHEEL LOCK	2	
8		7000I903	DECAL-SWING LOCK	1	
9		700IA615	DECAL-DANGER (ENV.)	1	
10		7000I422	DECAL-UN. FUEL ONLY	1	
11		700IC154	DECAL-SHUTDOWN PROCEDURE	1	
12		700IC126	DECAL-TOWING PRECAUTIONS	1	Towing Package Only
13		700IC275	DECAL- WARNING CLOSE SHIELDS	1	
14		700IB162	DECAL-CHECK OIL	1	

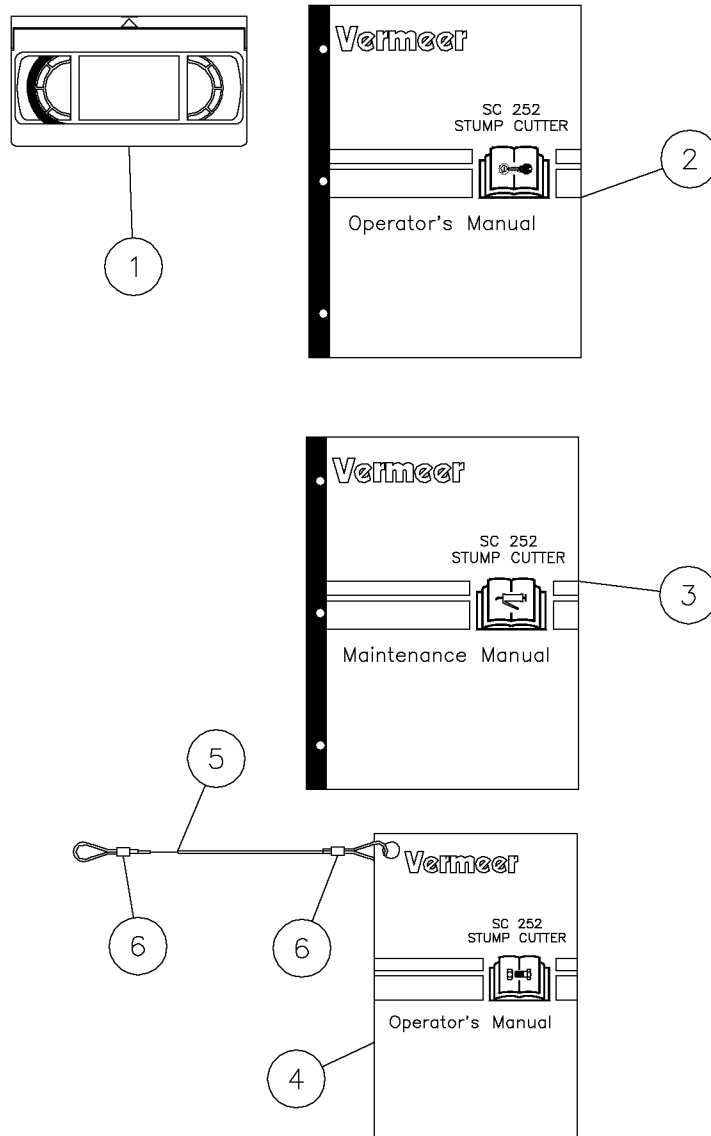
Hungarian International Language Package Fig 8-2



Hungarian International Language Package Fig 8-2

REF. NO.	*	PART NO.	DESCRIPTION	QTY.	REMARKS
		Revision Date	August, 2004		Addition To Manual
1		154797001	PAL VIDEO-STUMP CUTTER OPERATION	1	
2		117000R40	SC252 HUNGARIAN OP. MANUAL	1	
3		117000R42	SC252 HUNGARIAN MAN. MANUAL	1	
4		163630048	SC252 HUNGARIAN MINI MANUAL ASSY.	1	Inc. Ref. No.'s 5 & 6
5		142954001	CABLE-.068DIA NYLON CT.-36.00	1	
6		142423001	CRIMP-CABLE (FOR .068DIA CABLE)	2	
7		180006570	SC252 INT'L DECALS ASSY	1	

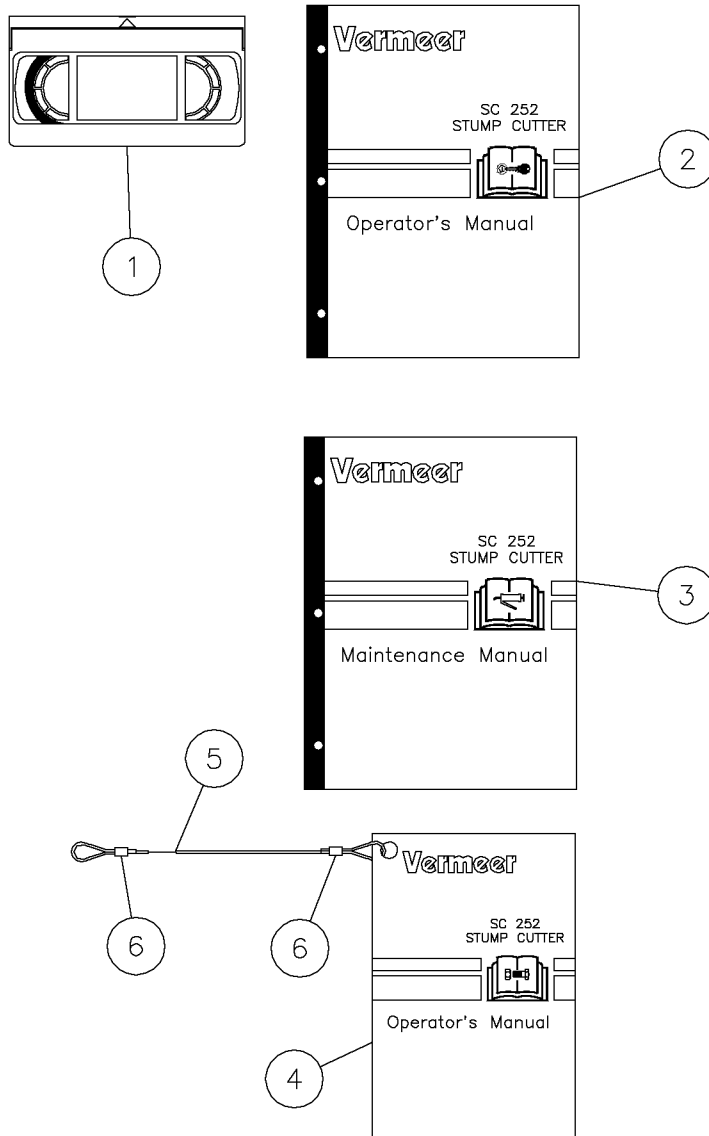
Dutch International Language Package Fig 8-3



Dutch International Language Package Fig 8-3

REF. NO.	*	PART NO.	DESCRIPTION	QTY.	REMARKS
		Revision Date	August, 2004		Addition To Manual
1		154797001	PAL VIDEO-STUMP CUTTER OPERATION	1	
2		117000B35	SC252 DUTCH OPERATORS S MANUAL	1	
3		117000B36	SC252 DUTCH MAINTENANCE MANUAL	1	
4		142548001	SC252 DUTCH MINI MANUAL ASSY	1	Inc. Ref. No.'s 5 & 6
5		142954001	CABLE-.068DIA NYLON CT.-36.00	1	
6		142423001	CRIMP-CABLE (FOR .068DIA CABLE)	2	
7		180006570	SC252 INT'L DECALS ASSY	1	

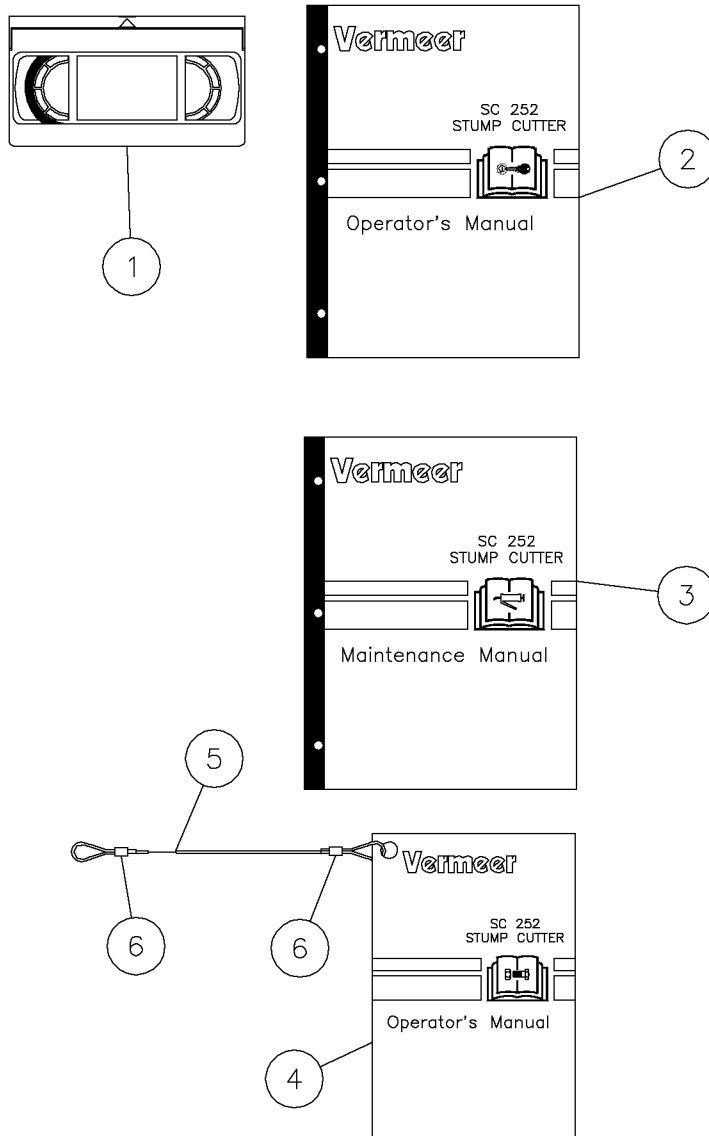
German International Language Package Fig 8-4



German International Language Package Fig 8-4

REF. NO.	*	PART NO.	DESCRIPTION	QTY.	REMARKS
		Revision Date	August, 2004		Addition To Manual
1		154797001	PAL VIDEO-STUMP CUTTER OPERATION	1	
2		117000F73	SC252 GERMAN OPERATORS MANUAL	1	
3		117000F75	SC252 GERMAN MAINTENANCE MANUAL	1	
4		152391001	SC252 GERMAN MINI MANUAL ASSY	1	Inc. Ref. No's 5 & 6
5		142954001	CABLE-.068DIA NYLON CT.-36.00	1	
6		142423001	CRIMP-CABLE (FOR .068DIA CABLE)	2	
7		180006570	SC252 INT'L DECALS ASSY	1	

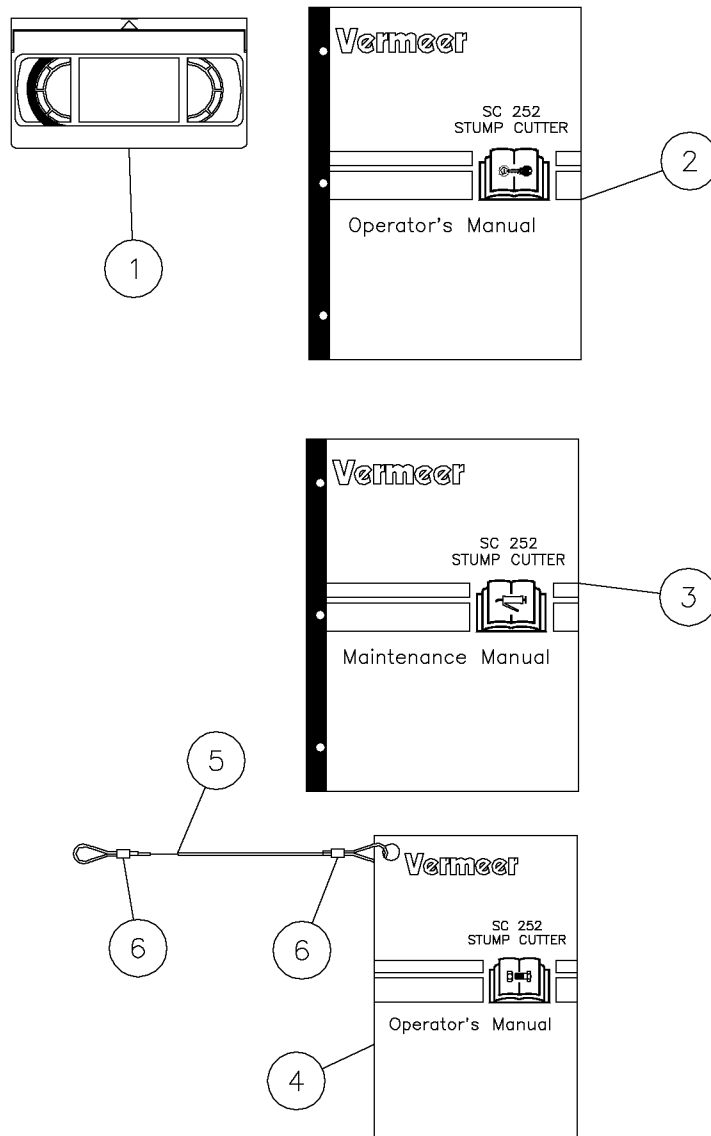
Italian International Language Package Fig 8-5



Italian International Language Package Fig 8-5

REF. NO.	*	PART NO.	DESCRIPTION	QTY.	REMARKS
		Revision Date	August, 2004		Addition To Manual
1		154797001	PAL VIDEO-STUMP CUTTER OPERATION	1	
2		117000B40	SC252 ITALIAN OPERATORS MANUAL	1	
3		117000B41	SC252 ITALIAN MAINTENANCE MANUAL	1	
4		142547001	SC252 ITALIAN MINI MANUAL ASSY	1	Inc. Ref. No.'s 5 & 6
5		142954001	CABLE-.068DIA NYLON CT.-36.00	1	
6		142423001	CRIMP-CABLE (FOR .068DIA CABLE)	2	
7		180006570	SC252 INT'L DECALS ASSY	1	

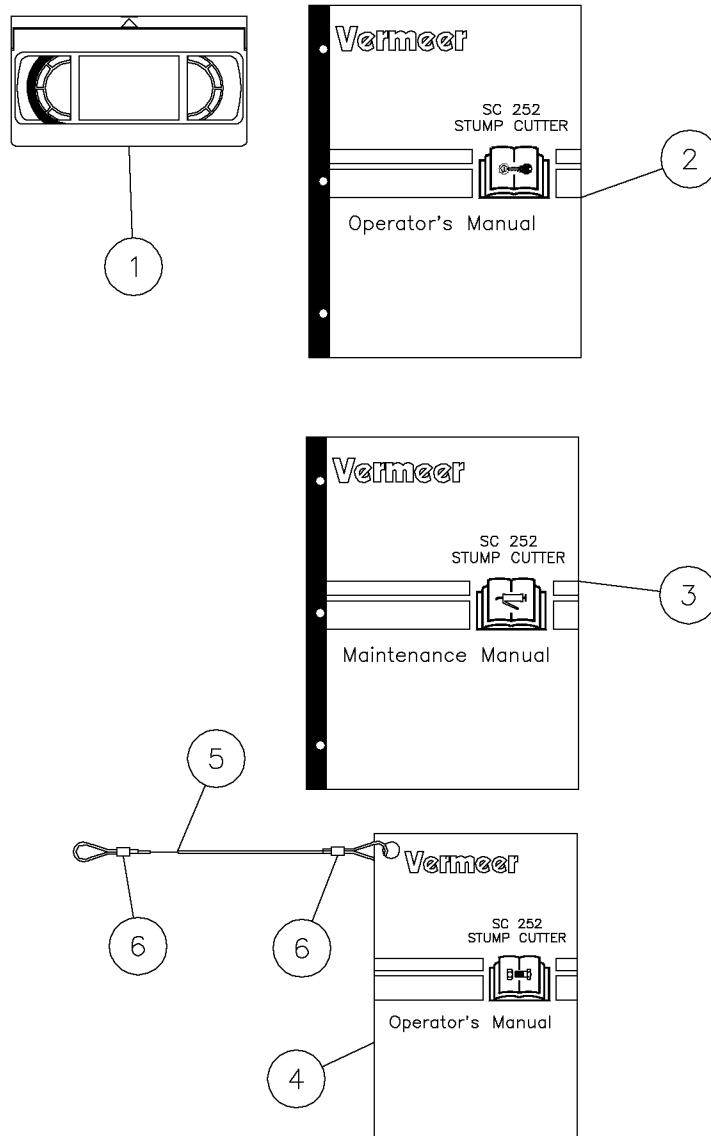
Finnish International Language Package Fig 8-6



Finnish International Language Package Fig 8-6

REF. NO.	*	PART NO.	DESCRIPTION	QTY.	REMARKS
		Revision Date	August, 2004		Addition To Manual
1		154797001	PAL VIDEO-STUMP CUTTER OPERATION	1	
2		117000G36	SC252 FINNISH OPERATORS MANUAL	1	
3		117000G38	SC252 FINNISH MAINTENANCE MANUAL	1	
4		152404001	SC252 FINNISH MINI MANUAL ASSY	1	Inc. Ref. No.'s 5 & 6
5		142954001	CABLE-.068DIA NYLON CT.-36.00	1	
6		142423001	CRIMP-CABLE (FOR .068DIA CABLE)	2	
7		180006570	SC252 INT'L DECALS ASSY	1	

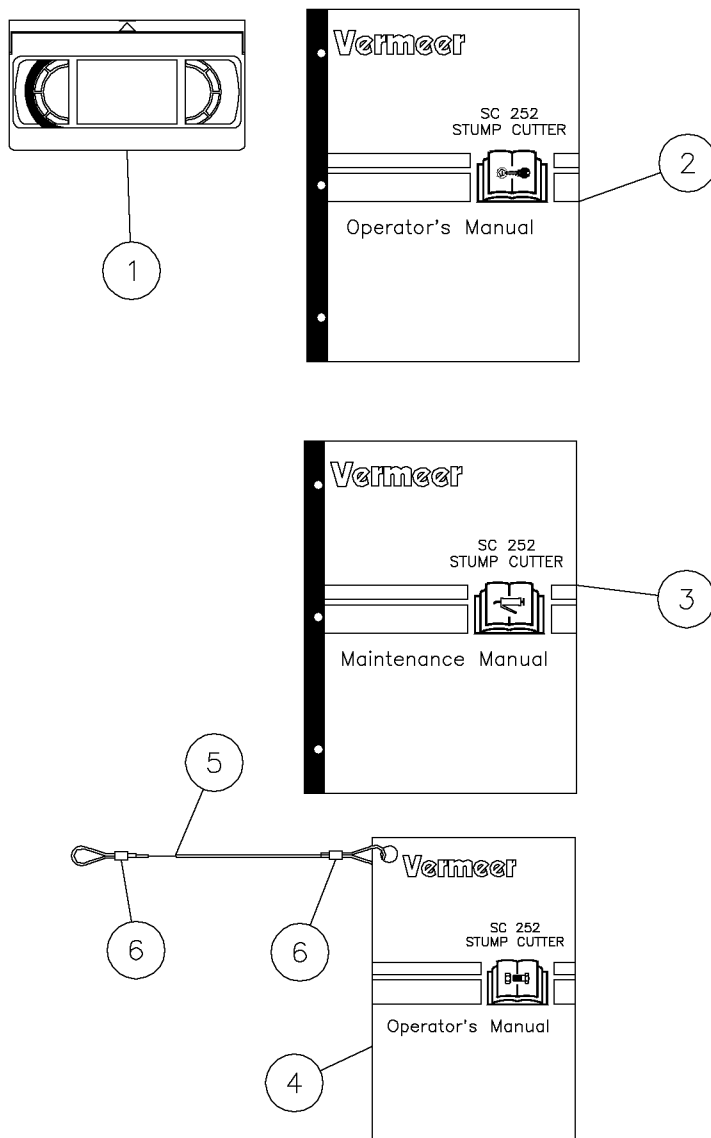
Greek International Language Package Fig 8-7



Greek International Language Package Fig 8-7

REF. NO.	*	PART NO.	DESCRIPTION	QTY.	REMARKS
		Revision Date	August, 2004		Addition To Manual
1		154797001	PAL VIDEO-STUMP CUTTER OPERATION	1	
2		117000H36	SC252 GREEK OPERATORS MANUAL	1	
3		117000H38	SC252 GREEK MAINTENACE MANUAL	1	
4		152381001	SC252 GREEK MINI MANUAL ASSY	1	Inc. Ref. No.'s 5 & 6
5		142954001	CABLE-.068DIA NYLON CT.-36.00	1	
6		142423001	CRIMP-CABLE (FOR .068DIA CABLE)	2	
7		180006570	SC252 INT'L DECALS ASSY	1	

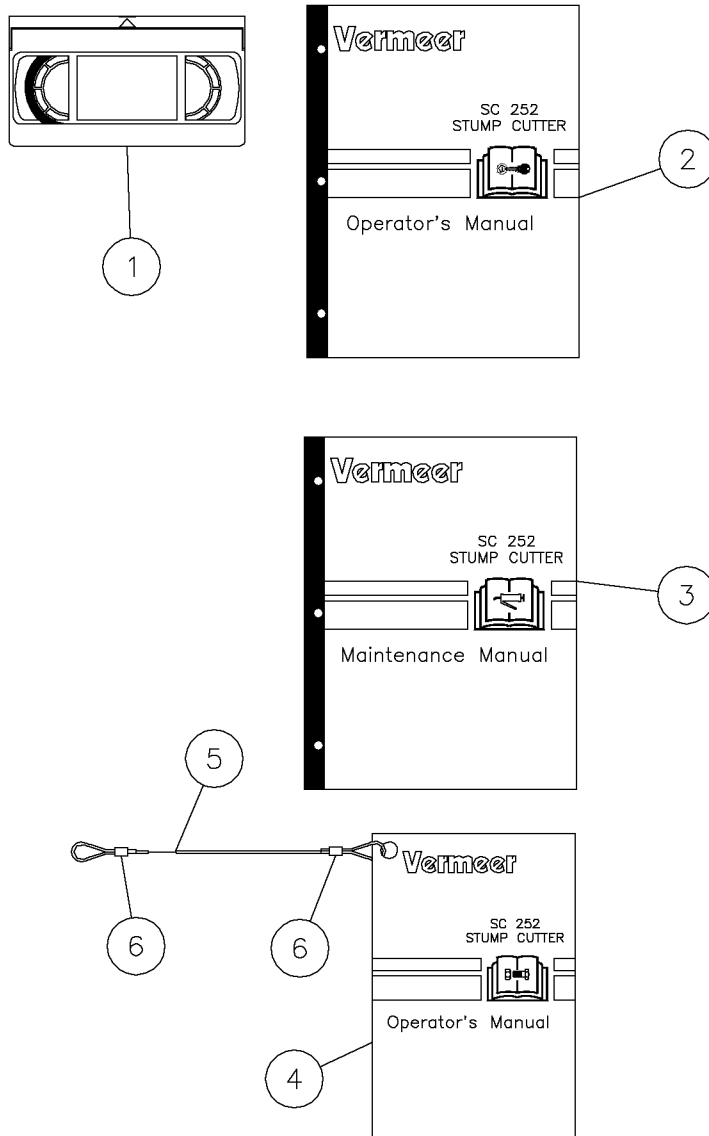
Swedish International Language Package Fig 8-8



Swedish International Language Package Fig 8-8

REF. NO.	*	PART NO.	DESCRIPTION	QTY.	REMARKS
		Revision Date	August, 2004		Addition To Manual
1		154797001	PAL VIDEO-STUMP CUTTER OPERATION	1	
2		117000N57	SC252 SWEDISH OPERATORS MANUAL	1	
3		117000N59	SC252 SWEDISH MAINTENANCE MANUAL	1	
4		163620797	SC252 SWEDISH MINI MANUAL ASSY	1	Inc. Ref. No's 5 & 6
5		142954001	CABLE-.068DIA NYLON CT.-36.00	1	
6		142423001	CRIMP-CABLE (FOR .068DIA CABLE)	2	
7		180006570	SC252 INT'L DECALS ASSY	1	

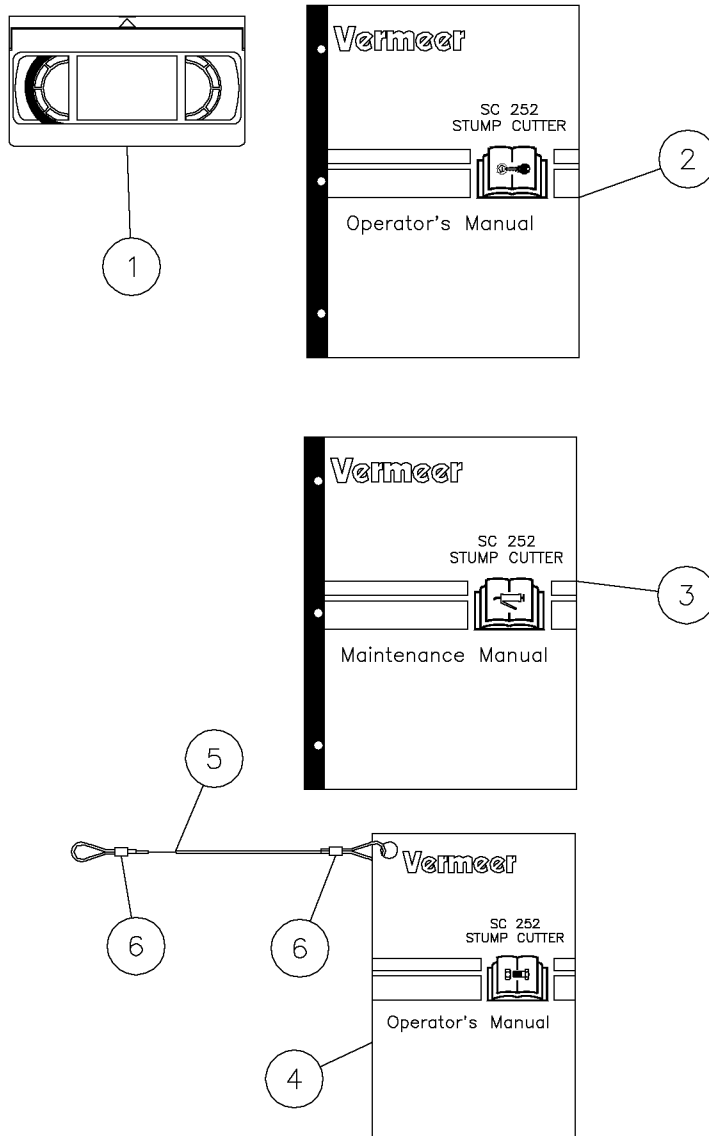
Czech International Language Package Fig 8-9



Czech International Language Package Fig 8-9

REF. NO.	*	PART NO.	DESCRIPTION	QTY.	REMARKS
		Revision Date	August, 2004		Addition To Manual
1		154797001	PAL VIDEO-STUMP CUTTER OPERATION	1	
2		117000Q52	SC252 CZECH OPERATORS MANUAL	1	
3		117000Q54	SC252 CZECH MAINTENANCE MANUAL	1	
4		180006560	SC252 CZECH MINI MANUAL ASSY	1	Inc. Ref. No.'s 5 & 6
5		142954001	CABLE-.068DIA NYLON CT.-36.00	1	
6		142423001	CRIMP-CABLE (FOR .068DIA CABLE)	2	
7		180006570	SC252 INT'L DECALS ASSY	1	

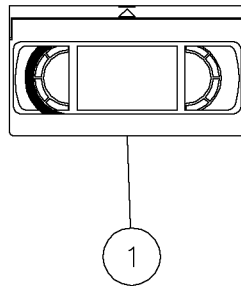
French International Language Package Fig 8-10



French International Language Package Fig 8-10

REF. NO.	*	PART NO.	DESCRIPTION	QTY.	REMARKS
		Revision Date	August, 2004		Addition To Manual
1		154797001	PAL VIDEO-STUMP CUTTER OPERATION	1	
2		117000B74	SC252 FRENCH OPERATORS MANUAL	1	
3		117000B75	SC252 FRENCH MAINTENANCE MANUAL	1	
4		146905001	SC252 FRENCH MINI MANUAL ASSY	1	Inc. Ref. No's 5 & 6
5		142954001	CABLE-.068DIA NYLON CT.-36.00	1	
6		142423001	CRIMP-CABLE (FOR .068DIA CABLE)	2	
7		180006570	SC252 INT'L DECALS ASSY	1	

English International Language Package Fig 8-11



English International Language Package Fig 8-11

REF. NO.	*	PART NO.	DESCRIPTION	QTY.	REMARKS
		Revision Date	August, 2004		Addition To Manual
1		154797001	PAL VIDEO-STUMP CUTTER OPERATION	1	
2		180006570	SC252 INT'L DECALS ASSY	1	

This page intentionally left blank.

Provided for Free by Trenchwell.com
Shop Aftermarket Parts

