

D24x40 S3 Navigator® Horizontal Directional Drill

Parts Manual



Publish Date Tue, 18 Aug 2020
Serial No.
Order No. 105400YES



Vermeer®

EQUIPPED TO
DO MORE.®

Provided for Free by Trenchwell.com
Shop Aftermarket Parts

HOW TO USE THE MANUAL

This manual contains illustrations and parts lists of components and assemblies which make up the machine. Each page consists of the name of the assembly or component, a figure number, reference numbers, part numbers, part names, and the quantities of the parts used.

Assembly or component name helps identify the illustration and parts list for each figure. This name also helps locate the general area of the machine where the assembly or component can be located.

Figure numbers are used to identify each assembly or component and to group these assemblies or components into major categories.

Reference numbers shown in a column refer to the numbered parts in the illustration. This ties the part in the illustration to the part number and description in the parts list.

Part numbers are used to identify individual parts or part assemblies.

Part descriptions provide the name of the part, plus additional information such as dimensional specifications and what parts are grouped together to form part assemblies, which helps you identify the part(s).

Quantities listed for each figure are only for that assembly or component and not the total used per machine.

This parts manual is not intended to be a complete guide for machine service or repairs. Contact your Vermeer dealer for any of your service or technical requirements.

ORDERING PARTS

Parts for repair or replacement are available through our network of authorized dealers located throughout the world.

Use only authorized Vermeer parts for repair or replacement. Always give the serial number and

model number of the machine for which parts are being ordered. When ordering parts for component(s), which are not manufactured by Vermeer Corporation, also give the serial number of that component(s). Order all parts by part number, part name, and quantity needed.

UPDATING AND REORDERING MANUALS

The parts lists, illustrations, and specifications in this manual are based on the latest information available at time of publication. Your machine may have product improvements and options not yet contained in this manual.

Vermeer Corporation reserves the right to make changes at any time without notice or obligation to you.

Your dealer will receive notice of these changes and can assist you with accurate parts identification when ordering.

A copy of this manual is supplied with each machine. Additional copies are available through your dealer. When ordering additional manuals, use the reorder number listed on the front cover and the quantity needed.

NOTICE TO OWNER

Replacement manuals are free of charge by registering your **used** Vermeer machine. Your machine's Operator's, Maintenance and Parts Manuals may be available online at www.myvermeer.com. For questions about online or printed manuals, or to register a used machine, contact the Customer Data Department by telephone: 800-829-0051 or 641-628-3141; email: dataanalytics@vermeer.com; internet: www.vermeer.com or www.myvermeer.com; or, letter: Customer Data Dept., Vermeer Corporation, PO Box 200, Pella IA 50219 USA.

Provided for Free by Trenchwell.com
Shop Aftermarket Parts

Resource Library, Safety Equipment & Decals - Section 01

Resource Library (SN 101-2018)	01-01
Resource Library (SN 2019-)	01-01R01
Safety Equipment - Gloves, Boots & Cones	01-02
Decals-Cosmetic (SN 101-1106)	01-03
Cosmetic (SN 1107-)	01-03R01
Decals-Function	01-04
Decals-Safety 1	01-05
Decals-Safety 2	01-06
Decals-Safety 3	01-07
Decals-Safety 4	01-08
Decals-Safety 5	01-09
Decals-Miscellaneous 1	01-10
Decals-Miscellaneous 2	01-11
Decals-Miscellaneous 3	01-12

Main Frame & Outrigger - Section 02

Undercarriage (SN 101-806)	02-01
Undercarriage (SN 807-)	02-01R01
Motors - Track Drive	02-02
Breakdown-Track Drive Planetary	02-02T01
Breakdown-Track Drive Motor	02-02T02
Track Tightener	02-03
Breakdown-Track Tightener Cylinder	02-03T01
Rubber Tracks	02-04
Breakdown-Rubber Track	02-04T01
Diverter Valves	02-05
Breakdown-Diverter Valve	02-05T01
Hydraulic Enable Valve	02-06
Breakdown-Hydraulic Enable Valve	02-06T01
Batteries	02-07
Outrigger	02-08
Outrigger Cylinder	02-09
Breakdown-Outrigger Cylinder	02-09T01
Valve - Outrigger/Rack Lift	02-10
Breakdown-Outrigger/Rack Lift Valve	02-10T01

Engine - Tier 4F - Section 03

Engine Non-Cab	03-01
Breakdown-Engine-Tier 4F Non-Cab	03-01T01
Breakdown-Engine-Tier 4F Non-Cab Sensors	03-01T02

Provided for Free by Trenchwell.com
Shop Aftermarket Parts

Table of Contents

D24x40 S3 Navigator HDD

Engine Cab	03-02
Breakdown-Engine-Tier 4F Cab	03-02T01
Breakdown-Engine-Tier 4F Cab Sensors	03-02T02
Engine Stage V W/Trans (SN 1130-)	03-02X01
Breakdown-Engine Stage V (SN 1130-)	03-02X01T01
Breakdown-Engine Stage V (SN 1130-)	03-02X01T02
Breakdown-Engine Stage V (SN 1130-)	03-02X01T03
Breakdown-Engine Stage V (SN 1130-)	03-02X01T04
Engine Mount	03-03
Radiator Charge Air Tubes	03-04
Air Cleaner	03-05
Breakdown-Air Cleaner	03-05T01
Exhaust & Aftertreatment	03-06
Breakdown-Aftertreatment	03-06T01
Diesel Exhaust Fluid Lines (SN 101-468)	03-07
Breakdown-DEF Tank, Filters & Dosing Unit (SN 101-471)	03-07T01
Diesel Exhaust Fluid Lines (SN 469-)	03-07R01
Breakdown-DEF Tank, Filters & Dosing Unit (SN 472-)	03-07T01R01
Exhaust Tubes & Insulation	03-08
Fuel Tank	03-09
Breakdown-Anti-Freeze Tank	03-09T01
Engine Electrical Panel (SN 101-1063)	03-10
Engine Electrical Panel (SN 1064-)	03-10R01
Fuel Tank W/O Mud Pump	03-11
Breakdown-Anti-Freeze Tank	03-11T01
Electrical - Non Mud Pump	03-12
Engine-Tier 4F/Stage V WO/AC	03-13
Engine-Tier 4F/Stage V W/ AC	03-14
Engine - Tier 3 - Section 04	
Engine - Non Cab	04-01
Breakdown - Engine Tier 3 Non Cab	04-01T01
Breakdown - Engine Tier 3 Non Cab	04-01T02
Engine - Cab Tier 3	04-02
Breakdown - Engine Tier 3 Cab	04-02T01
Engine Mount	04-03
Radiator Charge Tubes	04-04
Air Cleaner	04-05
Breakdown - Air Cleaner	04-05T01
Exhaust Tube & Muffler	04-06
Engine Electrical Panel	04-07

Provided for Free by Trenchwell.com
Shop Aftermarket Parts

Engine Bay Hydraulics & Hood - Section 05

Stack Pump	05-01
Breakdown-Rotation/Left Track Drive Pump (SN 101-294)	05-01T01
Breakdown-Thrust/Pullback/Right Track Drive Pmp (SN 101-294)	05-01T02
Breakdown-Auxiliary/Fan Drive Pump (SN 101-294)	05-01T03
Breakdown-Charge Filter (SN 101-294)	05-01T04
Stack Pump (SN 295-)	05-01R01
Breakdown-Rotation (SN 295-)	05-01T01R01
Breakdown-Thrust/Pullback (SN 295-)	05-01T02R01
Breakdown-Auxiliary (SN 295-)	05-01T03R01
Breakdown-Charge Filter (SN 295-)	05-01T04R01
Stack Pump (Non-Mud Pump)	05-01X01
Breakdown-Rotation	05-01X01T01
Breakdown-Thrust/Pullback	05-01X01T02
Breakdown-Auxiliary	05-01X01T03
Breakdown-Charge Filter	05-01X01T04
Hydraulic Tank	05-02
Hydraulic Tank (SN 313-422)	05-02R01
Hydraulic Tank (SN 423-)	05-02R02
Hydraulic Tank (SN 546-693)	05-02R03
Hydraulic Tank (SN 694-)	05-02R04
Breakdown-Sealed Tank (SN 423-)	05-02T01
Breakdown-10in Clean Out Cover	05-02T02
Breakdown-8in Clean Out Cover	05-02T03
Breakdown-6in Clean Out Cover	05-02T04
Return Filter Manifold	05-03
Return Filter Manifold (SN 313-)	05-03R01
Breakdown-Return Filter Head w/ Check Valves	05-03T01
Torque Limiter & Shuttle Valves (SN 101-1063)	05-04
Breakdown-Torque Limiter Valve (SN 101-1063)	05-04T01
Torque Limiter & Shuttle Valves (SN 1064-)	05-04R01
Breakdown-Torque Limiter Valve (SN 1046-)	05-04T01R01
Return Valve	05-05
Breakdown-BypassValve	05-05T01
Shift Selector Valve	05-06
Breakdown-Shift Selector Valve	05-06T01
Fleet - Cellular (SN 101-1061)	05-07
Breakdown-Pentaband TCU W/ Antenna (SN 101-1061)	05-07T01
Telematics (SN 1062-, 2001-)	05-07R01
Hood-Non-Cab (SN 101-729)	05-08

Provided for Free by Trenchwell.com
Shop Aftermarket Parts

Table of Contents

D24x40 S3 Navigator HDD

Hood-Non-Cab (SN 730-1106)	05-08R01
Hood-Non-Cab (SN 1107-)	05-08R02
Hood-Cab	05-09
Hood-Cab (SN 730-1106)	05-09R01
Hood-Cab (SN 1107-)	05-09R02
Hood Latch	05-10
Engine Cooling Package	05-11
Breakdown-Radiator	05-11T01
Breakdown-Fan Drive Motor	05-11T02
Cooler Seals	05-12
Non-Cab Operator Station - Section 06	
Operator Platform	06-01
Seat	06-02
Right Console w/ Joystick (SN 101-1091)	06-03
Breakdown-Right Hand Joystick Non-Cab (SN 101-1091)	06-03T01
Right Console W/ Joystick (SN 1092-)	06-03R01
Breakdown-Joystick RH (SN 1092-)	06-03T01R01
Left Console w/ Joystick (SN 101-1091)	06-04
Breakdown-Left Hand Joystick Non-Cab (SN 101-1091)	06-04T01
Left Console W/ Joystick (SN 1092-)	06-04R01
Breakdown-Joystick LH (SN 1092-)	06-04T01R01
Front Display	06-05
Front Display (SN 705-2203)	06-05R01
Front Display (SN 2204-)	06-05R02
Remote Lockout (SN 101-839)	06-06
Remote Lockout (SN 840-2203)	06-06R01
Remote Lockout (SN 2204-)	06-06R02
Rear Transport Station	06-07
Rear Transport Station (SN 278-)	06-07R01
Rear Transport Station (SN 320-376)	06-07R02
Breakdown-Joystick (SN 320-376)	06-07T01
Rear Transport Station (SN 377-2018)	06-07R03
Rear Transport Station (SN 2019-)	06-07R04
Breakdown-Joystick (SN 377-)	06-07T01R01
Remote Tracking (SN 101-2203)	06-08
Remote Tracking (SN 2204-)	06-08R01
Soft Cab Cover	06-09
Umbrella	06-10
Breakdown-Umbrella Mast	06-10T01

Provided for Free by Trenchwell.com
Shop Aftermarket Parts

Cab Operator Station - Section 07

Cab Shell (SN 101-794)	07-01
Cab Shell (SN 795-)	07-01R01
Breakdown-Cab Shell	07-01T01
Cab Platform	07-02
Breakdown-Heating & Cooling Condenser	07-02T01
Cab Platform HVAC Tubes	07-03
Cab Exterior Lights (SN 101-704)	07-04
Cab Exterior Lights (SN 705-)	07-04R01
Overhead Cover	07-05
Front Top Panel Cover	07-06
Rear Louvers & Panel	07-07
Cab Power Distribution Panel	07-08
Fuse Panel	07-08X01
Dome Light Panel	07-09
Air Conditioner Evaporator	07-10
Breakdown-Heating & Cooling Evaporator	07-10T01
Seat Mount	07-11
Back Panel	07-11X01
Seat	07-12
Right Console w/ Joystick (SN 101-1091)	07-13
Breakdown-Right Joystick (SN 101-1091)	07-13T01
Right Console W/ Joystick (SN 1092-)	07-13R01
Breakdown-Right Joystick (SN 1092-)	07-13T01R01
Left Console w/ Joystick (SN 101-1091)	07-14
Breakdown-Left Joystick (SN 101-1091)	07-14T01
Left Console W/ Joystick (SN 1092-)	07-14R01
Breakdown-Joystick LH (SN 1092)	07-14T01R01
Center Console	07-15
Front Display	07-16
Remote Lockout (SN 101-839)	07-17
Remote Lockout (SN 840-)	07-17R01
Rear Transport Station (SN 101-277)	07-18
Rear Transport Station (SN 278-319)	07-18R01
Rear Transport Station (SN 320-376)	07-18R02
Breakdown-Joystick (SN 320-376)	07-18T01
Rear Transport Station (SN 377-2018)	07-18R03
Rear Transport Station (SN 2019-)	07-18R04
Breakdown-Joystick (SN 377-)	07-18T01R01
Remote Tracking	07-19

Provided for Free by Trenchwell.com
Shop Aftermarket Parts

Controller	07-20
Rack & Carriage - Section 08	
Rack	08-01
Rack Lift Cylinders	08-02
Breakdown-Rack Lift Cylinder (SN 101-225)	08-02T01
Rack Lift Cylinder (SN 226-)	08-02R01
Breakdown-Lift Cylinder (SN 226-)	08-02T01R01
Thrust Carriage (SN 101-579)	08-03
Thrust Carriage (SN 580-830)	08-03R01
Thrust Carriage (SN 831-)	08-03R02
Thrust Motors (SN 101-830)	08-04
Breakdown-Thrust Motor	08-04T01
Thrust Motors (SN 831-)	08-04R01
Breakdown-Thrust Motor (SN 831-)	08-04T01R01
Breakdown-Thrust Motor (SN 831-)	08-04T02
Breakdown-Thrust Motor w/ Brake	08-04T03
Thrust Brake/Shift Valve	08-05
Breakdown-Thrust Brake/Shift Valve	08-05T01
Rotation Gearbox	08-06
Rotation Gearbox (SN 383-)	08-06R01
Rotation Motors	08-07
Breakdown-Rotation Motor	08-07T01
Breakdown-Rotation Motor	08-07T02
Gearbox Rotation Valve	08-08
Gearbox Rotation Valve (SN 383-)	08-08R01
Gearbox Rotation Valve (SN 421-)	08-08R02
Breakdown-Gearbox Rotation Valve	08-08T01
Gearbox Lock Cylinder	08-09
Breakdown-Gearbox Lock Cylinder	08-09T01
Hose Carrier & Tower	08-10
Hose Carrier & Tower (SN 383-562)	08-10R01
Breakdown-Hose Carrier (SN 383-562)	08-10T01
Hose Carrier (SN 563-)	08-10R02
Breakdown-Hose Carrier (SN 563-)	08-10T01R01
Carriage Light	08-11
Thrust Carriage Encoder (SN 101-830)	08-12
Thrust Carriage Encoder (SN 831-)	08-12R01
Rotation Gearbox Encoder	08-13
Rotation Gearbox Encoder (SN 383-)	08-13R01
Drive Chuck	08-14

Provided for Free by Trenchwell.com
Shop Aftermarket Parts

Table of Contents

D24x40 S3 Navigator HDD

Breakdown-Drive Chuck	08-14T01
Drill Rod Prep 2 3/8 FST 600 Connection	08-15
Drill Rod Prep 2 3/8 FST 650 Connection	08-16
Drive Chuck	08-17
Breakdown-Drive Chuck	08-17T01
Vise - Section 09	
Vise	09-01
Vise Jaw Dies	09-02
Vise Clamp Jaw Cylinders	09-03
Breakdown-Vise Clamp Jaw Cylinder	09-03T01
Vise Rotation Cylinder	09-04
Breakdown-Vise Rotation Cylinder	09-04T01
Strike Alert w/ Rod Wiper	09-05
Valve - Vise	09-06
Breakdown-Vise Valve	09-06T01
Voltage Stake	09-07
Breakdown-Voltage Stake	09-07T01
Breakdown-Voltage Stake	09-07T02
Grease Bucket - 5 Gallon	09-08
5 Gallon Auto Greaser Top	09-09
Breakdown-5 Gallon Greaser Cylinder	09-09T01
5 Gallon Auto Greaser Follower	09-10
Stakedowns - Section 10	
Valve - Stakedown	10-01
Breakdown-Stakedown Valve	10-01T01
Standard Stakedown	10-02
Breakdown-Standard Stakedown Cylinder	10-02T01
Breakdown-Standard Stakedown Motor/Planetary	10-02T02
Standard Stakes	10-03
Standard Aggressive Stakes	10-04
Large Aggressive Stakedown	10-05
Breakdown-Large Aggressive Stakedown Cylinder	10-05T01
Breakdown-Large Aggressive Stakedown Motor/Planetary	10-05T02
Large Aggressive Stakes	10-06
Breakdown-Large Aggressive Stakes	10-06T01
Rod Loader - Section 11	
Rod Selector Arms (SN 101-382)	11-01
Rod Selector Arms (SN 383-)	11-01R01
Extend/Retract Arms	11-02

Provided for Free by Trenchwell.com
Shop Aftermarket Parts

Rod Loader Motor	11-03
Breakdown-Rod Loader Motor	11-03T01
Rod Lift Cylinder	11-04
Breakdown-Rod Lift Cylinder	11-04T01
Rod Loader Valve	11-05
Breakdown-Rod Loader Valve	11-05T01
Rod Loader Encoder	11-06
Rod Loader Safety Arms	11-07
Rod Box - Short	11-08
Rod Box - Tall	11-09

Water Pump - Section 12

50GPM Apex Water Pump (SN 101-693)	12-01
50GPM Apex Water Pump (SN 694-)	12-01R01
Breakdown-Power Section	12-01T01
Breakdown-Fluid Section	12-01T02
Breakdown-Pump Drive Motor	12-01T03
Water Shut-off Cylinder	12-02
Breakdown-Water Shut-Off Cylinder	12-02T01
Breakdown-Water Shut-Off Ball Valve	12-02T02
Water Pump Valve	12-03
Breakdown-Water Pump Valve	12-03T01
Water Pump Valve (394-693)	12-03R01
Water Pump Valve (SN 694-)	12-03R02
Breakdown-Water Pump Valve (394-)	12-03T01R01
Wash Wand	12-04
50GPM FMC Water Pump (SN 101-693)	12-05
50GPM FMC Water Pump (SN 694-)	12-05R01
Breakdown - Power Section	12-05T01
Breakdown - Fluid Section	12-05T02
Breakdown-FMC 50 GPM Motor	12-05T03
Water Shut Off-NON Mud Pump	12-06
Breakdown-Water Shut-Off Cylinder	12-06T01
Breakdown-Water Shut-Off Ball Valve	12-06T02
NON Water Pump Valve	12-07
Breakdown-Water Pump Valve	12-07T01
NON Water Pump Valve	12-08
Breakdown-Water Pump Valve	12-08T01

Electrical & Harnesses - Section 13

Harness Connectors-DRC Series	13-01
-------------------------------	-------

Provided for Free by Trenchwell.com
Shop Aftermarket Parts

Harness Connectors-DT Series	13-02
Harness Connectors-DT Series Diode/Buss Blocks	13-03
Harness Connectors-DTHD Series	13-04
Electrical Tooling	13-05
Harness-Engine Bay	13-06
Harness-Vise	13-07
Harness-Carriage (SN 101-479)	13-08
Harness-Carriage (SN 480-)	13-08R01
Harness-PF Encoder Jumper (SN 101-479)	13-09
Cable-Overmolded Encoder Jumper (SN 480-)	13-09R01
Harness-Rack	13-10
Harness-Hose Carrier	13-11
Harness-Non-Cab Console	13-12
Harness-Cab	13-13
Harness-Cab Top	13-14
Harness-Aftertreatment-Tier 4F (SN 101-471)	13-15
Harness-Aftertreatment-Tier 4F (SN 472-)	13-15R01
Harness-Overflow Tank	13-16
Cables-PDM Power	13-17
Cables-Power & Ground	13-18
Harness-Engine Bay (Tier 3)	13-19
 Hydraulic Routings - Section 14	
Hydraulic Supplies	14-01
Oil, Fluids & Lubricants	14-02
Undercarriage Hose Kit	14-03
Undercarriage High Pressure Hose Kit	14-04
Engine Bay Hose Kit (SN 101-1063)	14-05
Engine Bay Hose Kit (SN 1064-)	14-05R01
Engine Bay High Pressure Hose Kit	14-06
Carriage Hose Kit	14-07
Carriage High Pressure Hose Kit	14-08
Hose Carrier Hose Kit	14-09
Hose Carrier High Pressure Hose Kit	14-10
Rod Loader Hose Kit	14-11
Vise Hose Kit	14-12
5 Gallon Greaser Hose Kit	14-13
Standard Stakedown Hose Kit	14-14
Aggressive Stakedown Hose Kit	14-15
50 GPM Apex Water Pump Hose Kit	14-16
50 GPM Apex Water Pump Hose Kit (SN 394-693)	14-16R01

Provided for Free by Trenchwell.com
Shop Aftermarket Parts

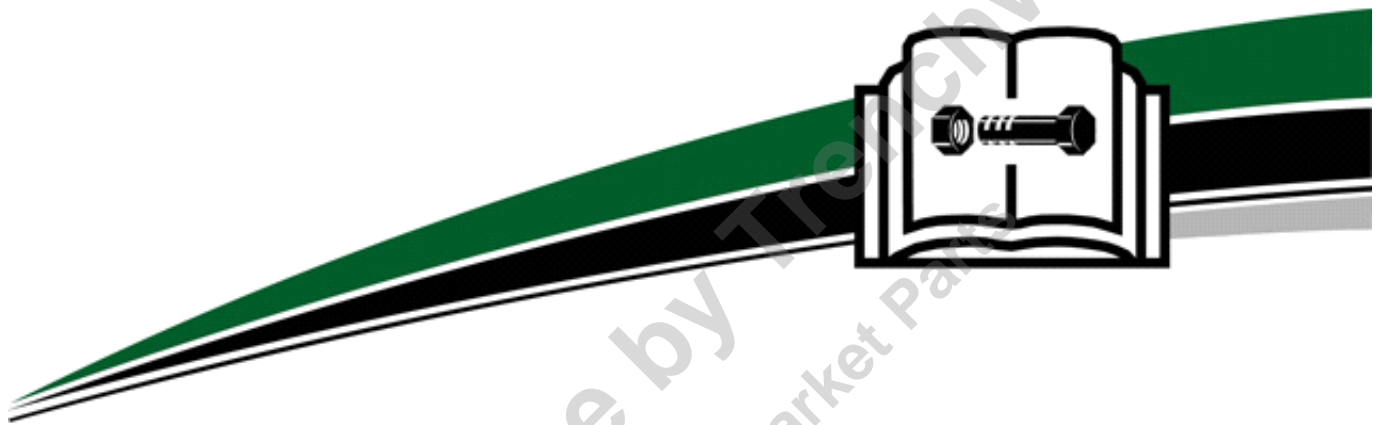
Table of Contents

D24x40 S3 Navigator HDD

50 GPM Apex Water Pump Hose Kit (SN 694-)	14-16R02
50 GPM Apex Water Pump High Pressure Hose Kit	14-17
50 GPM FMC Water Pump Hose Kit (SN 101-693)	14-18
GPM FMC Water Pump High Pressure (SN 694-)	14-18R01
50 GPM FMC Water Pump High Pressure Hose Kit	14-19
NON Water Pump Hose Kit	14-20

Provided for Free by Trenchwell.com
Shop Aftermarket Parts

Resource Library, Safety Equipment & Decals



Provided for Free by TroyChwell.com
Shop Aftermarket Parts

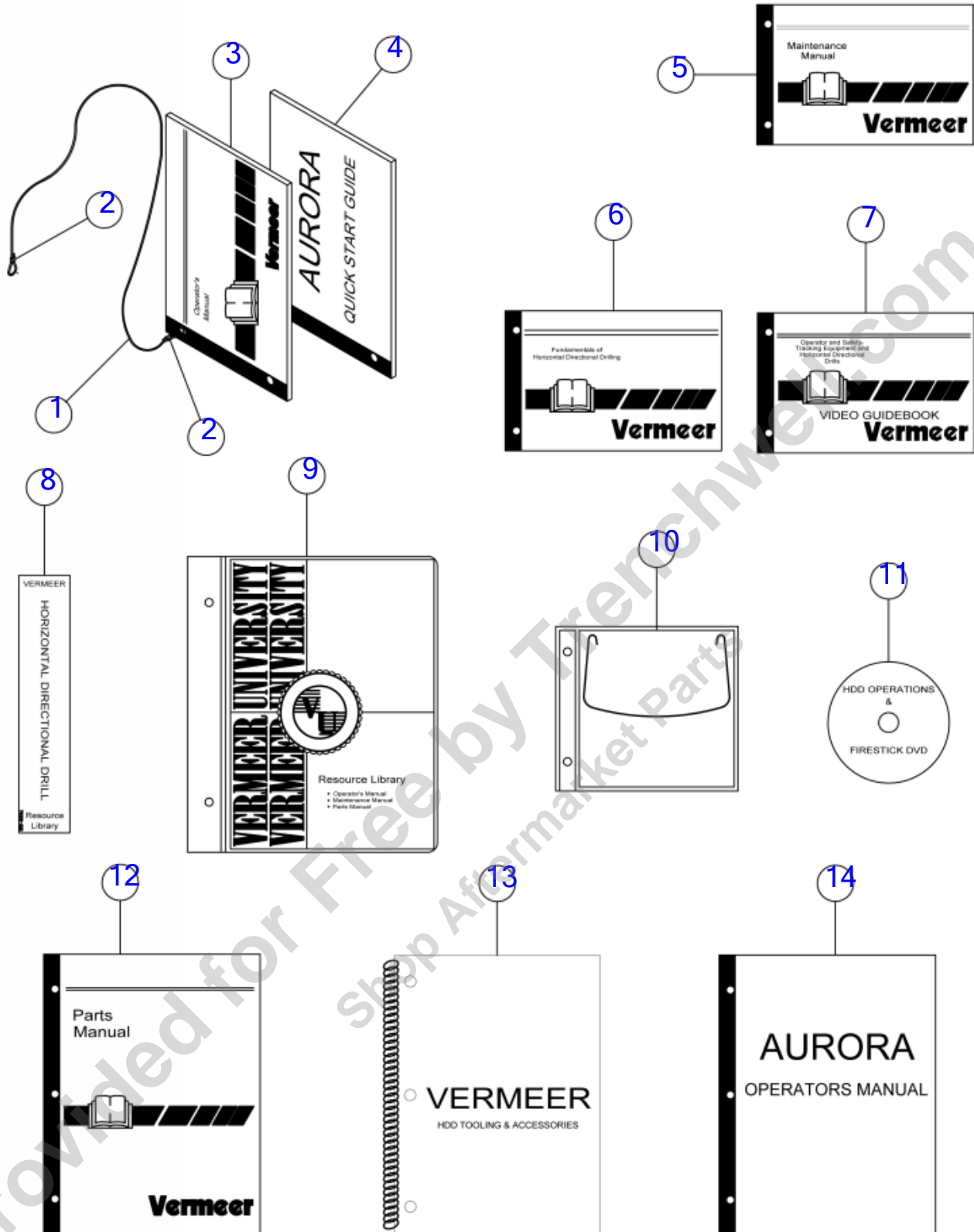
Resource Library, Safety Equipment & Decals

Resource Library (SN 101-2018)	Fig	01-01
Resource Library (SN 2019-)	Fig	01-01R01
Safety Equipment - Gloves, Boots & Cones	Fig	01-02
Decals-Cosmetic (SN 101-1106)	Fig	01-03
Cosmetic (SN 1107-)	Fig	01-03R01
Decals-Function	Fig	01-04
Decals-Safety 1	Fig	01-05
Decals-Safety 2	Fig	01-06
Decals-Safety 3	Fig	01-07
Decals-Safety 4	Fig	01-08
Decals-Safety 5	Fig	01-09
Decals-Miscellaneous 1	Fig	01-10
Decals-Miscellaneous 2	Fig	01-11
Decals-Miscellaneous 3	Fig	01-12

Provided for Free by Trenchwell.com
Shop Aftermarket Parts

Resource Library (SN 101-2018)

Fig 01-01



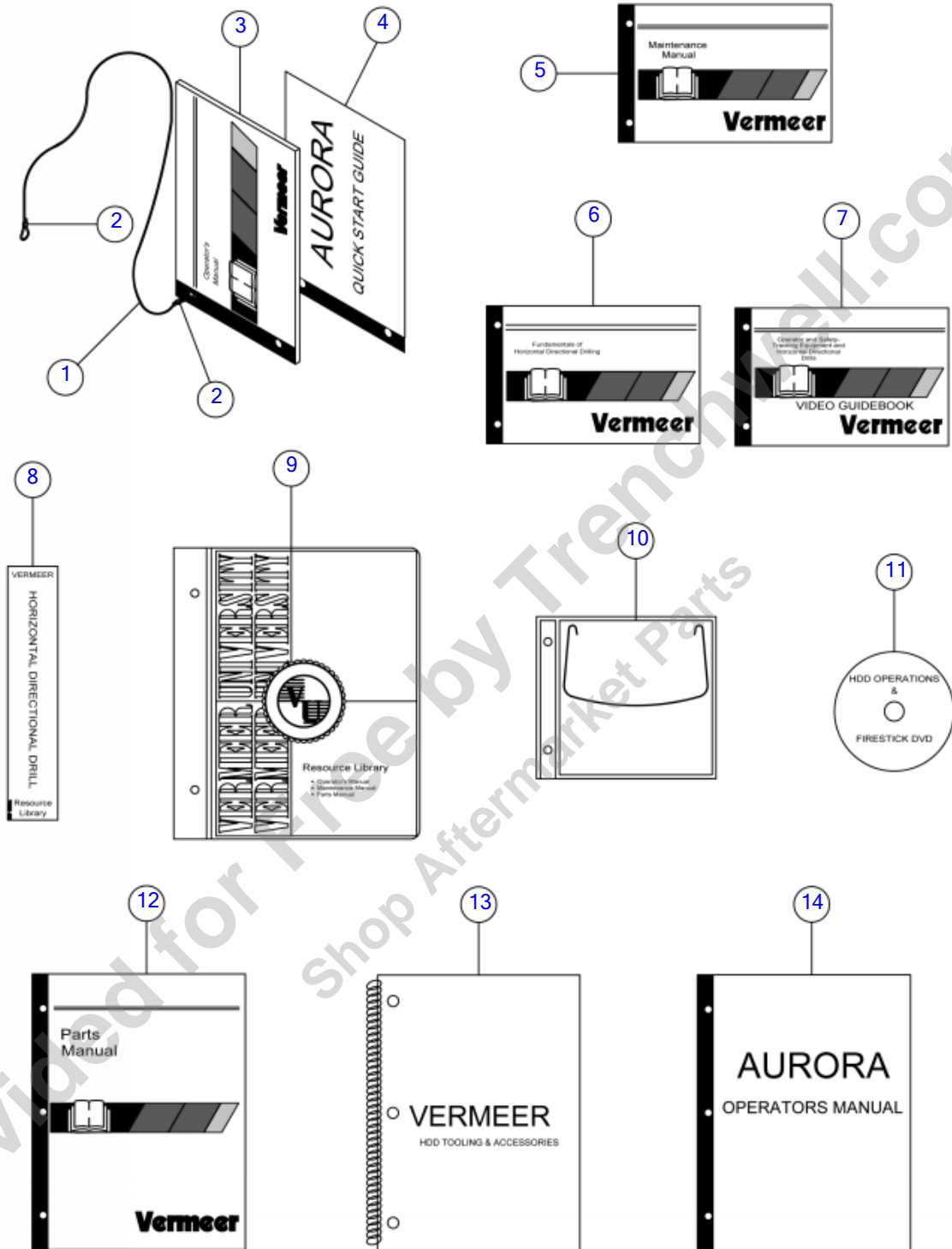
Resource Library (SN 101-2018)

Fig 01-01

REF NO.	PART NO.	DESCRIPTION	QTY.	REMARKS
1	142954001	CABLE-.068DIA.NYLON CT.-36.00	1	
2	142423001	CRIMP-CABLE (FOR.068DIA.CABLE)	2	
3	296404050	MANUAL ASSY - D24X40S3/D40X55S3 CABLED OM 1ST ED	1	Includes Items 1 & 2
3	296460267	MANUAL ASSY-D24X40III/D40X55III (SP) CABLED 1ST ED	1	Includes Items 1 & 2
4	105400DJ5	AURORA QUICK START GUIDE	1	
5	105400DL3	MM - D24X40S3/D40X55S3 (EN) 1ST ED	1	
5	117000RE0	MM-D24X40III/D40X55III (SP) 1ST ED S/N 101-	1	
6	105400W26	FUNDAMENTALS OF HDD UP O1.00	1	
7	105400T90	HDD OPERATIONS & SAFETY VIDEO GUIDEBOOK	1	
8	7000B222	DECAL -HORIZONTAL DRILL -RESOURCE LIB.	1	
9	144144001	NOTEBOOK BINDER - 2"-3"	1	
10	296339104	SLEEVE - SINGLE DVD	1	
11	296296910	DVD-NTSC VIDEO HDD OPERATIONS&FIRESTICK(INCL SPAN)	1	
12	105400YES	PM -D24X40S3 NAVIGATOR	1	
13	152659002	~PM-HDD TOOLING & ACCESSORIES-VOL 10 (N/C)	1	
14	105400CZ6	DIGI TRACK SERIES DISPLAY AURORA OM 1 (EN)	1	
	296404052	D24X40S3 RESOURCE LIBRARY	1	Includes All Items In Figure

Resource Library (SN 2019-)

Fig 01-01R01



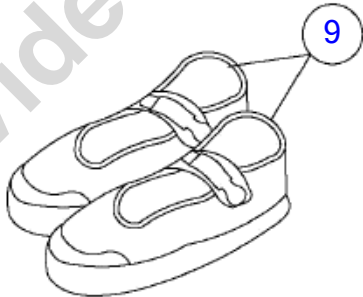
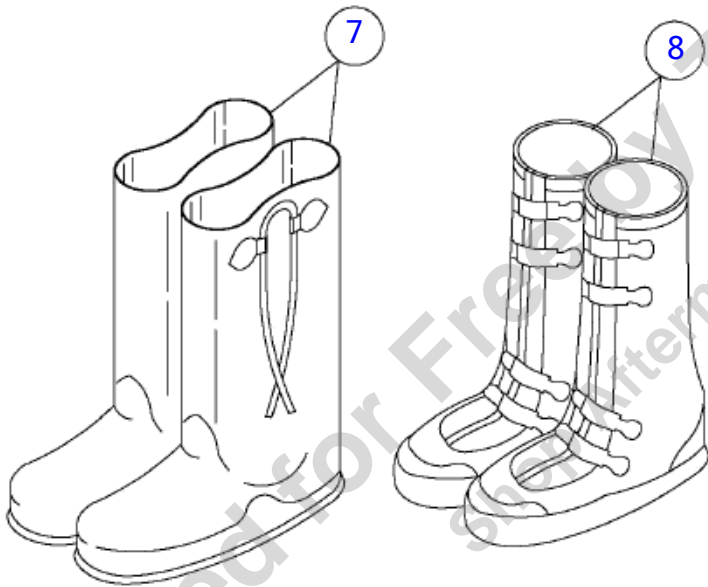
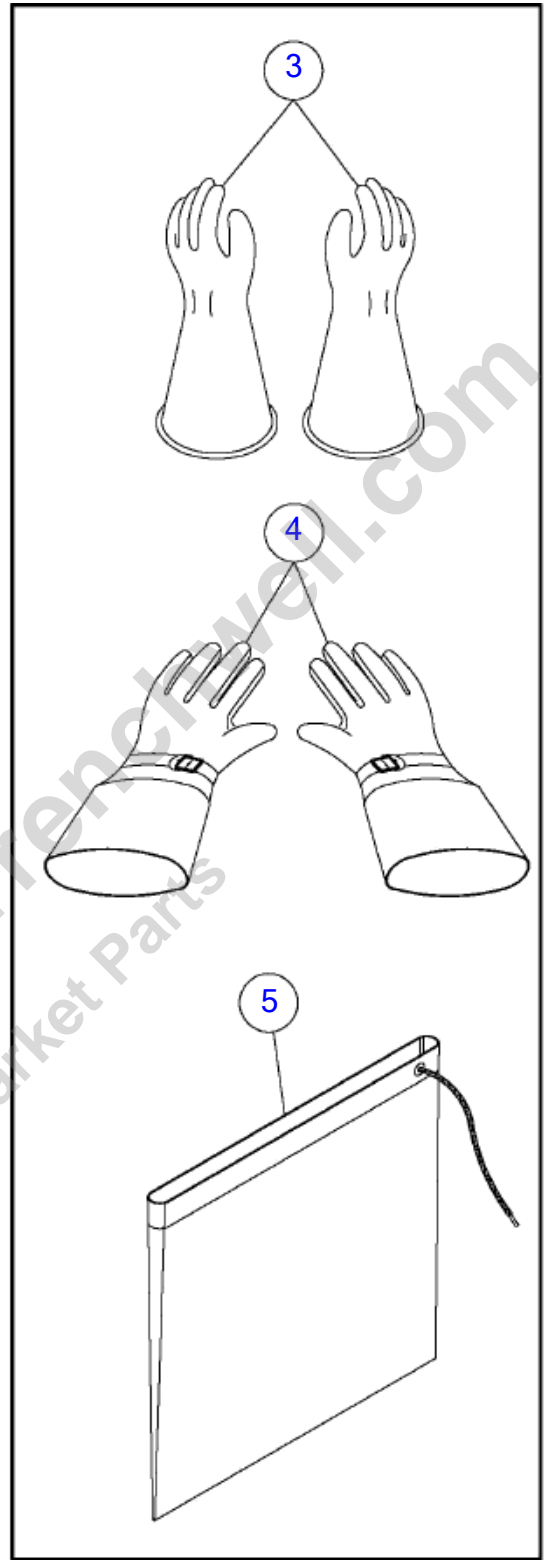
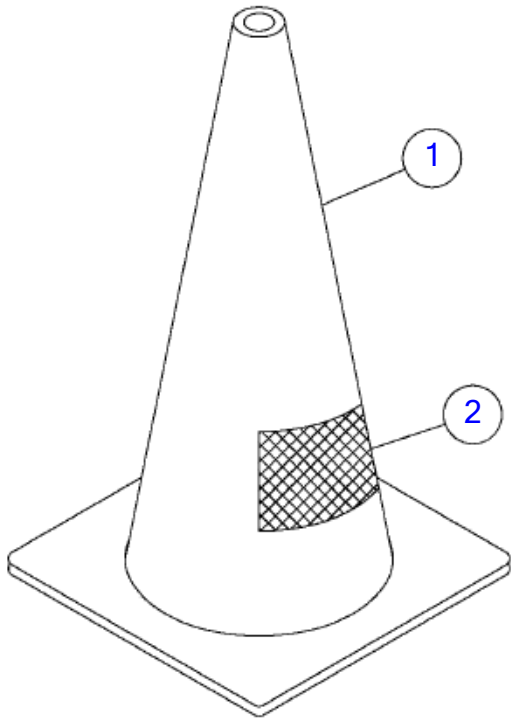
Resource Library (SN 2019-)

Fig 01-01R01

REF NO.	PART NO.	DESCRIPTION	QTY.	REMARKS
1	142954001	CABLE-.068DIA.NYLON CT.-36.00	1	
2	142423001	CRIMP-CABLE (FOR.068DIA.CABLE)	2	
3	296533525	MANUAL ASSY - D24X40S3/D40X55S3 CABLED OM 2ND ED	1	Includes Items 1 & 2
3	296460267	MANUAL ASSY-D24X40III/D40X55III (SP) CABLED 1ST ED	1	Includes Items 1 & 2
4	105400DJ5	AURORA QUICK START GUIDE	1	
5	105400FM9	MM - D24X40S3/D40X55S3 (EN) 2ND ED	1	
5	117000RE0	MM-D24X40III/D40X55III (SP) 1ST ED S/N 101-	1	
6	105400W26	FUNDAMENTALS OF HDD UP O1.00	1	
7	105400T90	HDD OPERATIONS & SAFETY VIDEO GUIDEBOOK	1	
8	7000B222	DECAL -HORIZONTAL DRILL -RESOURCE LIB.	1	
9	144144001	NOTEBOOK BINDER - 2"-3"	1	
10	296339104	SLEEVE - SINGLE DVD	1	
11	296296910	DVD-NTSC VIDEO HDD OPERATIONS&FIRESTICK(INCL SPAN)	1	
12	105400YES	PM -D24X40S3 NAVIGATOR	1	
13	152659002	~PM-HDD TOOLING & ACCESSORIES-VOL 10 (N/C)	1	
14	105400CZ6	DIGI TRACK SERIES DISPLAY AURORA OM 1 (EN)	1	
	296404052	D24X40S3 RESOURCE LIBRARY	1	Includes All Items In Figure

Safety Equipment - Gloves, Boots & Cones

Fig 01-02



6

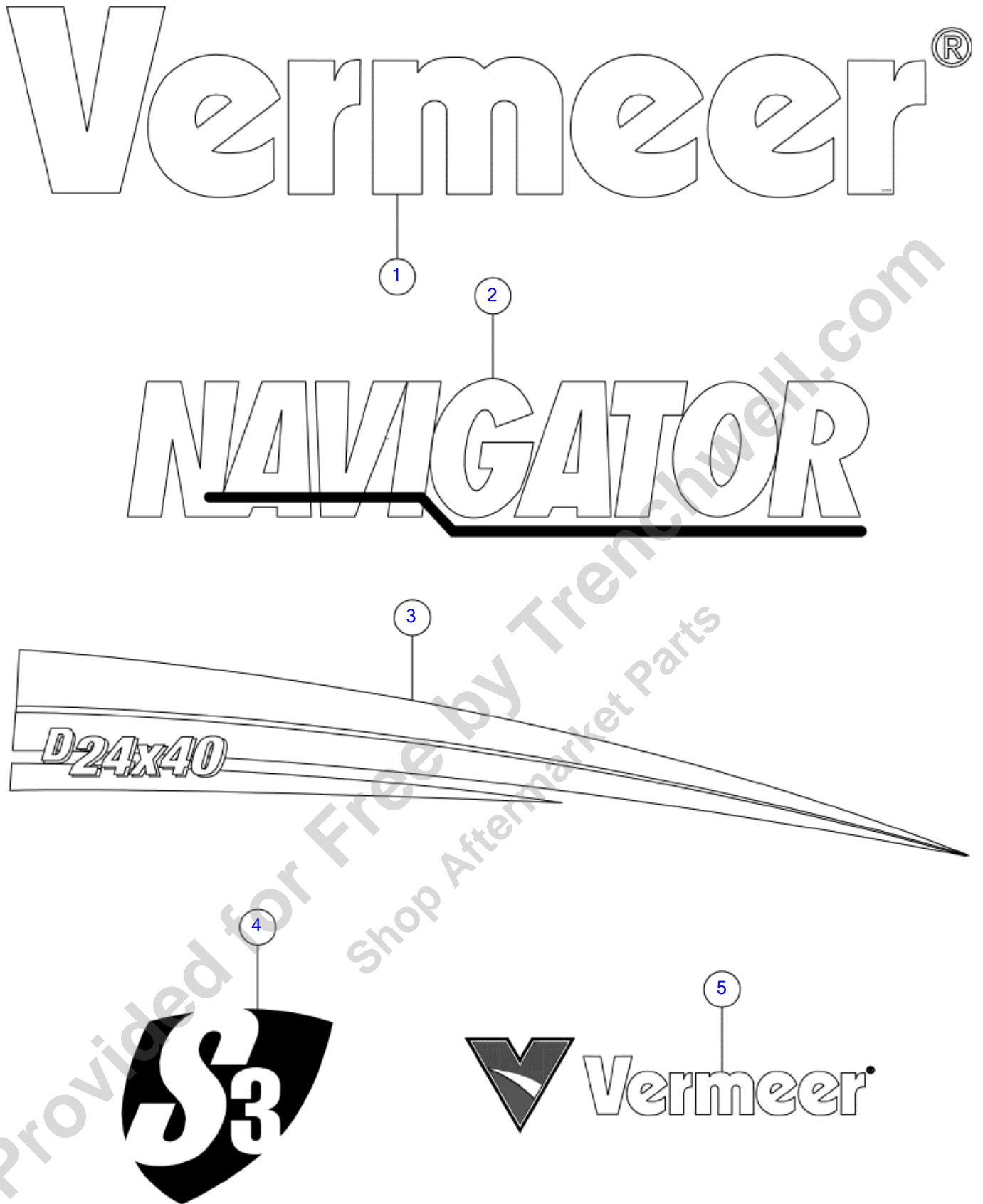
Safety Equipment - Gloves, Boots & Cones

Fig 01-02

REF NO.	PART NO.	DESCRIPTION	QTY.	REMARKS
1	277788001	WARNING CONE ASS'Y	4	Includes Item 2
2	70000530	DECAL-DANGER	4	Domestic
2	70001530	DECAL- DANGER	4	International
3	210782005	GLOVES-SIZE 9-9 1/2 RUBBER INSULATED	1	
3	210782003	GLOVES-SIZE 10 RUBBER INSULATED	1	
3	210782007	GLOVES-SIZE 11 RUBBER INSULATED	1	
3	210782009	GLOVES-SIZE 12 RUBBER INSULATED	1	
4	210783001	GLOVES-SIZE 9 LEATHER PROTECT	1	
4	210783001	GLOVES-SIZE 9 LEATHER PROTECT	1	
4	(210783005)	GLOVES SIZE 9 1/2 LEATHER PROTECT	1	
4	210783003	GLOVES-SIZE 10 LEATHER PROTECT	1	
4	210783007	GLOVES-SIZE 11 LEATHER PROTECT	1	
4	210783009	GLOVES-SIZE 12 LEATHER PROTECT	1	
5	210784001	BAG-GLOVE	1	
6	210781001	GLOVE KIT-SIZE 9	1	Includes 1 Pair of Items 3 & Item 4 in Size 9 & 1pc of Item 5
6	224979001	GLOVE KIT-SIZE 9 1/2	1	Includes 1 Pair of Items 3 & Item 4 in Size 9 1/2 & 1pc of Item 5
6	210785001	GLOVE KIT-SIZE 10	1	Includes 1 Pair of Items 3 & Item 4 in Size 10 & 1pc of Item 5
6	224990001	GLOVE KIT-SIZE 11	1	Includes 1 Pair of Items 3 & Item 4 in Size 11 & 1pc of Item 5
6	224991001	GLOVE KIT-SIZE 12	1	Includes 1 Pair of Items 3 & Item 4 in Size 12 & 1pc of Item 5
7	210780009	BOOTS-SIZE 9 OVER-THE-SHOE	1	
7	210780001	BOOTS-SIZE 10 OVER-THE-SHOE	1	
7	210780003	BOOTS-SIZE 11 OVER-THE-SHOE	1	
7	210780005	BOOTS-SIZE 12 OVER-THE-SHOE	1	
7	210780007	BOOTS-SIZE 13 OVER-THE-SHOE	1	
7	210780011	BOOTS-SIZE 14 OVER-THE-SHOE	1	
7	210780013	BOOTS-SIZE 15 OVER-THE-SHOE	1	
7	210780015	BOOTS-SIZE 16 OVER-THE-SHOE	1	
8	279118001	BOOT - 4 BUCKLE SIZE 9	1	
8	279118002	BOOT - 4 BUCKLE SIZE 10	1	
8	279118003	BOOT - 4 BUCKLE SIZE 11	1	
8	279118004	BOOT - 4 BUCKLE SIZE 12	1	
8	279118005	BOOT - 4 BUCKLE SIZE 13	1	
8	279118006	BOOT - 4 BUCKLE SIZE 14	1	
8	279118007	BOOT - 4 BUCKLE SIZE 15	1	
8	279118008	BOOT - 4 BUCKLE SIZE 16	1	
9	279119001	BOOT - ANKLE RUBBER SIZE 9	1	
9	279119002	BOOT - ANKLE RUBBER SIZE 10	1	
9	279119003	BOOT - ANKLE RUBBER SIZE 11	1	
9	279119004	BOOT - ANKLE RUBBER SIZE 12	1	
9	279119005	BOOT - ANKLE RUBBER SIZE 13	1	
9	279119006	BOOT - ANKLE RUBBER SIZE 14	1	
9	279119007	BOOT - ANKLE RUBBER SIZE 15	1	
9	279119008	BOOT - ANKLE RUBBER SIZE 16	1	
Note		ALL GLOVES & BOOTS ARE ORDERED IN PAIRS		

Decals-Cosmetic (SN 101-1106)

Fig 01-03



Decals-Cosmetic (SN 101-1106)

Fig 01-03

REF NO.	PART NO.	DESCRIPTION	QTY.	REMARKS
1	2326619	DECAL- VERMEER 3 X 15	1	
2	7000A010	DECAL-MODEL NAVIGATOR(MEDIUM)	1	
3	7000D175	DECAL D24X40II STRIPE	1	
4	7000G232	DECAL-S3 BADGE	1	
5	7000G964	DECAL - VERMEER ROD BOX SMALL	1	
5	7000G965	DECAL - VERMEER ROD BOX LARGE	1	

Provided for Free by Trenchwell.com
Shop Aftermarket Parts

Cosmetic (SN 1107-)

Fig 01-03R01

Vermeer®

1



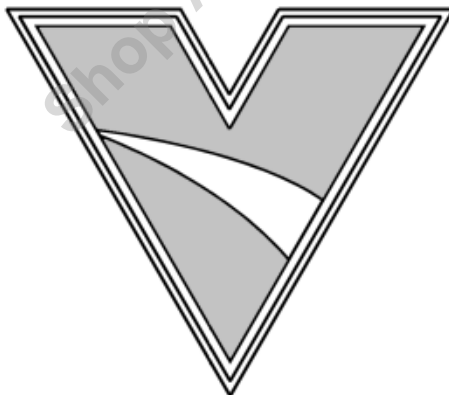
2

NAVIGATOR S₃

3

4

Vermeer®



Cosmetic (SN 1107-)

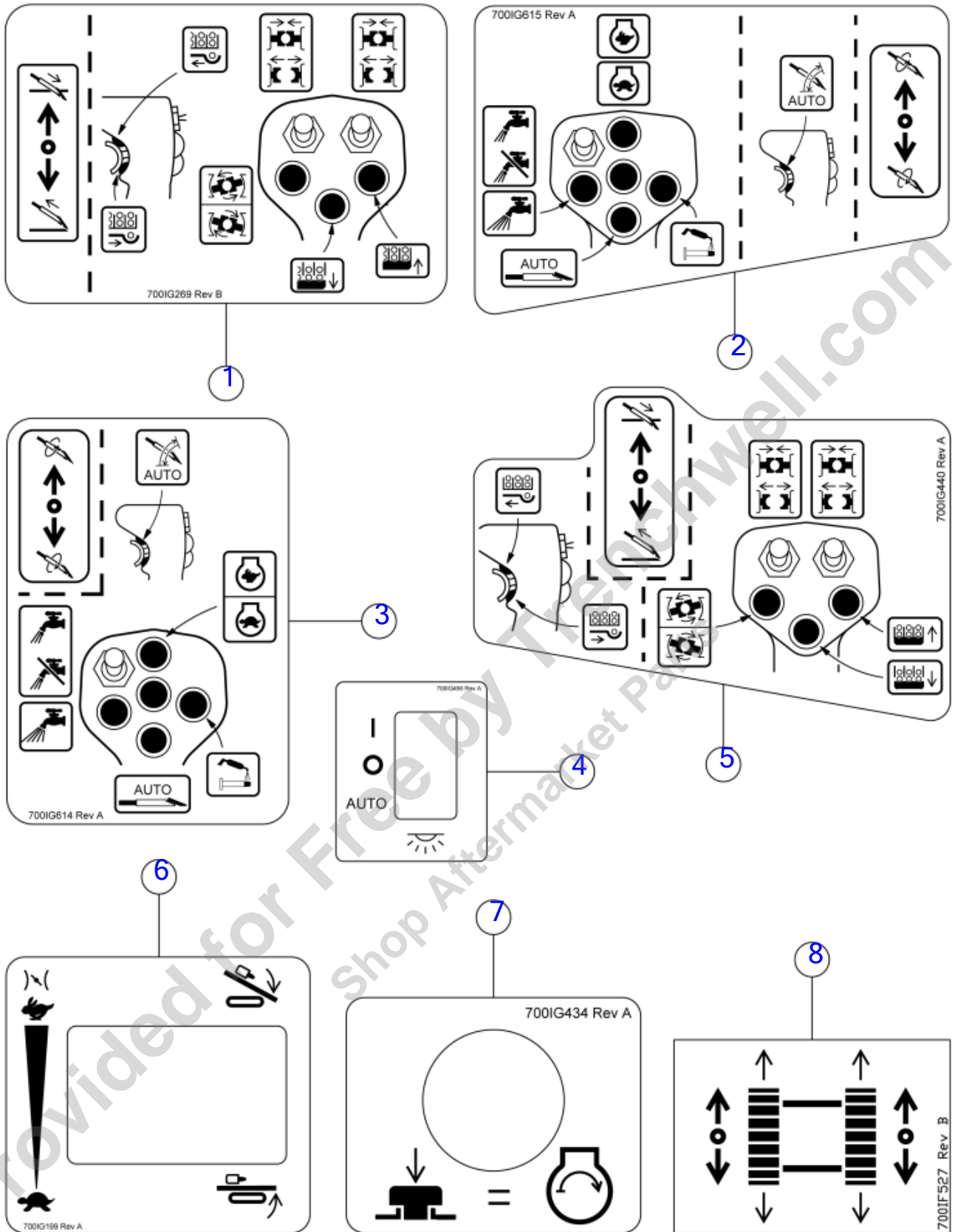
Fig 01-03R01

REF NO.	PART NO.	DESCRIPTION	QTY.	REMARKS
1	2326619	DECAL- VERMEER 3 X 15	1	
2	7000H541	DECAL- D24X40 COSMETIC STRIPE	1	
3	7000H637	DECAL- COSMETIC NAVIGATOR+S3 17INCH	1	
4	7000D010	DECAL - COSMETIC V - 12.00"	1	

Provided for Free by Trenchwell.com
Shop Aftermarket Parts

Decals-Function

Fig 01-04



Decals-Function

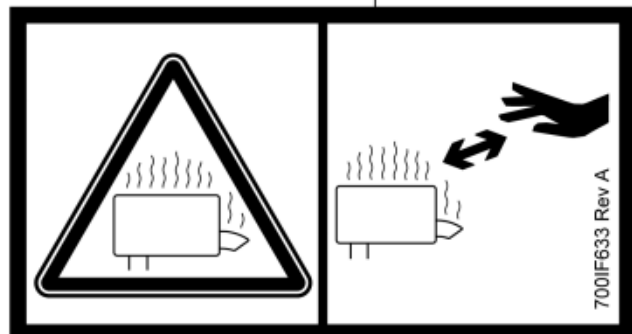
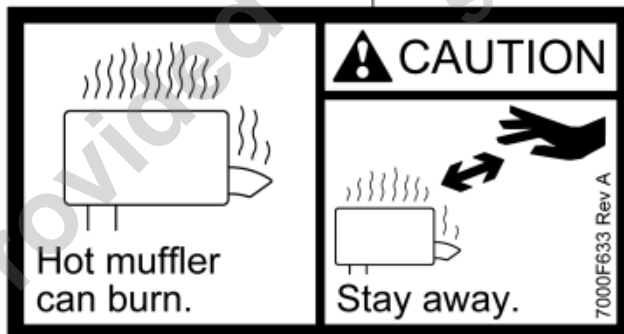
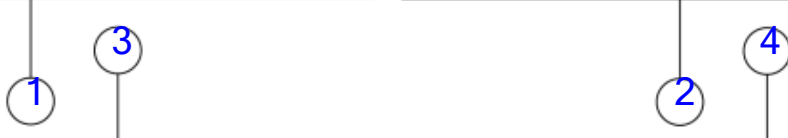
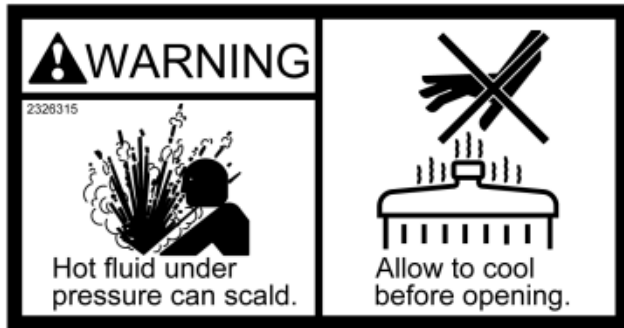
Fig 01-04

REF NO.	PART NO.	DESCRIPTION	QTY.	REMARKS
1	700IG269	DECAL-CONTROL, LOWER RH JOYSTICK	1	
2	700IG615	DECAL-CONTROL, LH JOYSTICK, W/CAB	1	
3	700IG614	DECAL-CONTROL, LOWER LH JOYSTICK	1	
4	700IG456	DECAL-CONTROL, DOME LIGHT	1	
5	700IG440	DECAL-CONTROL, RH JOYSTICK D60 W/CAB	1	
6	700IG199	DECAL-THROTTLE AND RACK ANGLE	1	
7	700IG434	DECAL-CONTROL, PUSH TO START	1	
8	700IF527	DECAL-CONTROL TRACKS	1	

Provided for Free by Trenchwell.com
Shop Aftermarket Parts

Decals-Safety 1

Fig 01-05



Decals-Safety 1

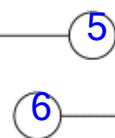
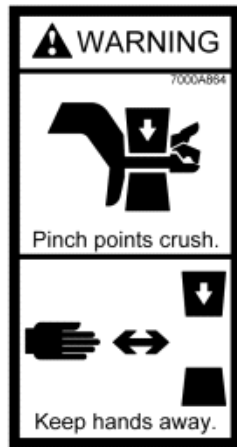
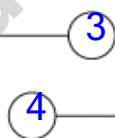
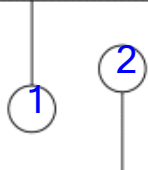
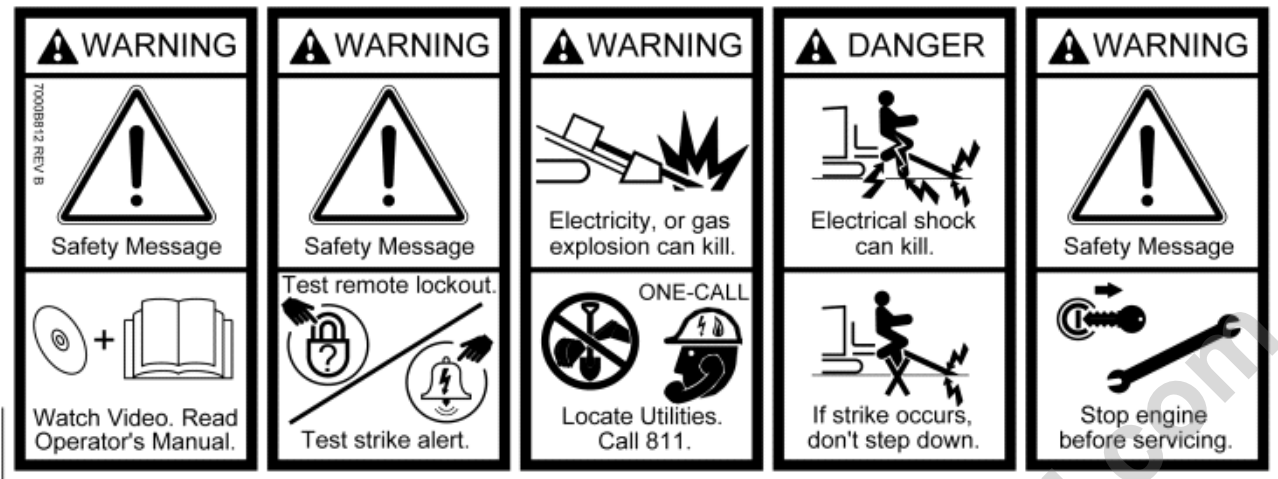
Fig 01-05

REF NO.	PART NO.	DESCRIPTION	QTY.	REMARKS
1	2326315	DECAL WARNING	1	Domestic
2	2326I315	DECAL WARNING	1	International
3	2326324	DECAL-WARNING/REFUEL (DOMESTIC)	1	Domestic
4	2326I324	DECAL - WARNING EXPLOSION	1	International
5	7000A576	DECAL-DANGER	1	Domestic
6	700IA576	DECAL-DANGER	1	International
7	7000F633	DECAL - CAUTION HOT, MUFFLER CAN BURN	1	Domestic
8	700IF633	DECAL-CAUTION, HOT MUFFLER CAN BURN	1	International

Provided for Free by Trenchwell.com
Shop Aftermarket Parts

Decals-Safety 2

Fig 01-06



Decals-Safety 2

Fig 01-06

REF NO.	PART NO.	DESCRIPTION	QTY.	REMARKS
1	7000B812	DECAL - WARNING	1	Domestic
2	700IB812	DECAL - WARNING	1	International
3	7000A627	DECAL-DANGER	2	Domestic
4	700IA627	DECAL-DANGER	2	International
5	7000A864	DECAL-WARNING DOMESTIC	6	Domestic
6	700IA864	DECAL - WARNING INTERNATIONAL	6	International

Provided for Free by Trenchwell.com
Shop Aftermarket Parts

Decals-Safety 3

Fig 01-07

<p>DANGER</p> <p>Unexpected rotation of drill string can kill.</p> <p>Lock out before working on drill string.</p>	<p>DANGER</p> <p>Cutters can quickly crawl sideways and catch you. Death can result.</p> <p>Stay away.</p> <p>Pull cutters up to exit hole before rotating.</p>		
<p>DANGER</p> <p>Electric shock can kill.</p> <p>Do not touch machine while boring or when alarm sounds.</p>	<p>DANGER</p> <p>Wrench on rotating rod can strike you. Death or serious injury will result.</p> <p>See Operator's Manual for proper use of breakout tools.</p>		

1
3

2
4

<p>Pinch points can crush fingers and hands.</p>	<p>WARNING</p> <p>Keep hands away.</p>		
--	---	--	--

Decals-Safety 3

Fig 01-07

REF NO.	PART NO.	DESCRIPTION	QTY.	REMARKS
1	7000D563	DECAL - DANGER 4 PANEL	1	Domestic
2	700ID563	DECAL - DANGER, 4-PANEL	1	International
3	7000G014	DECAL-WARNING PINCH POINT	2	Domestic
4	700IG014	DECAL-WARNING PINCH POINT	2	International

Provided for Free by Trenchwell.com
Shop Aftermarket Parts

Decals-Safety 4

Fig 01-08



1

3

2

4



Decals-Safety 4

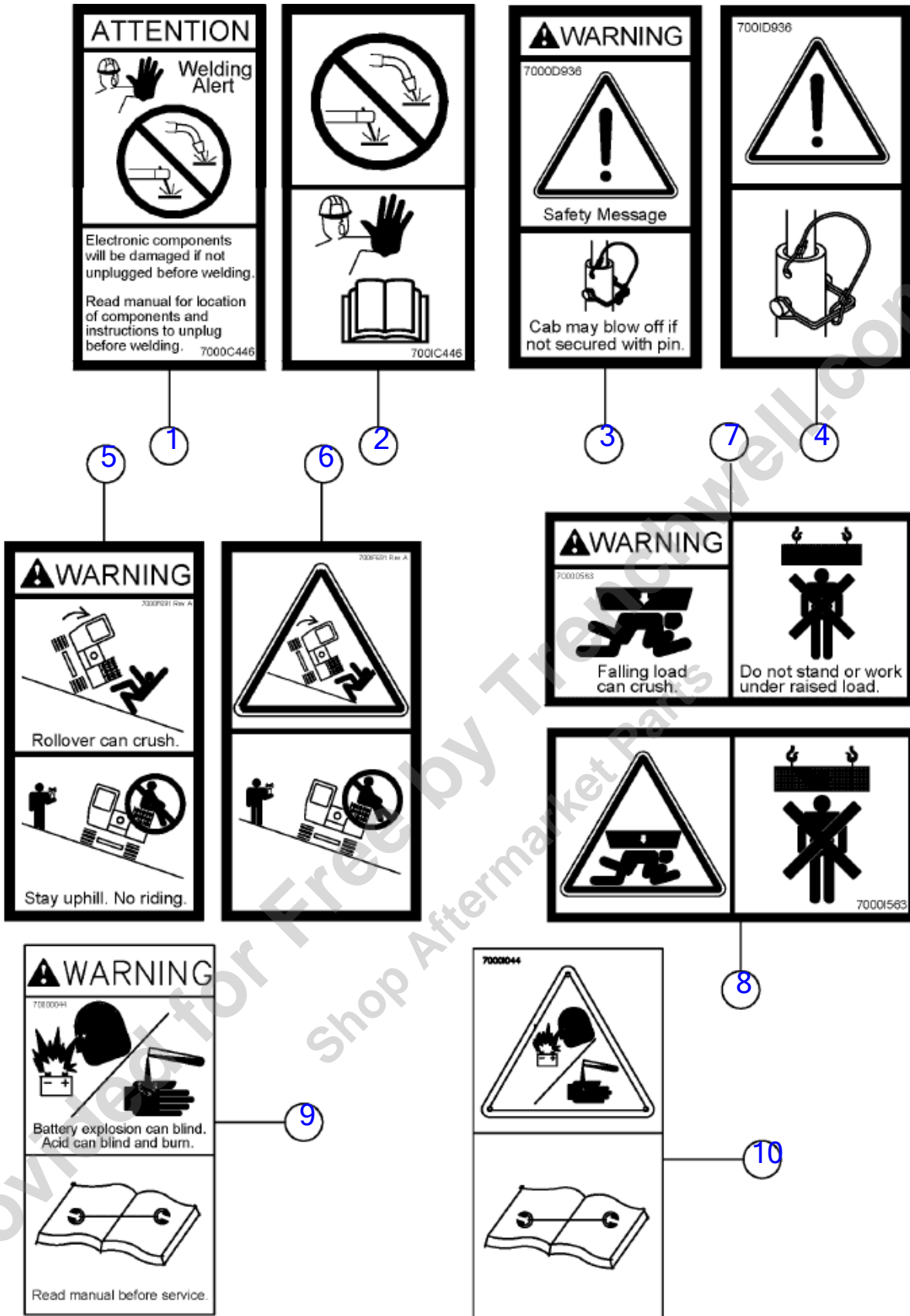
Fig 01-08

REF NO.	PART NO.	DESCRIPTION	QTY.	REMARKS
1	7000G340	DECAL-DANGER, 3 PANEL	1	Domestic
2	700IG340	DECAL-DANGER, 3 PANEL	1	International
3	7000B304	DECAL - WARNING	1	Domestic
4	700IB304	DECAL - WARNING	1	International

Provided for Free by Trenchwell.com
Shop Aftermarket Parts

Decals-Safety 5

Fig 01-09



Decals-Safety 5

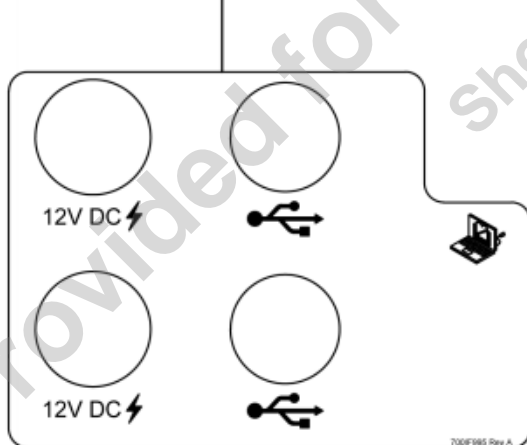
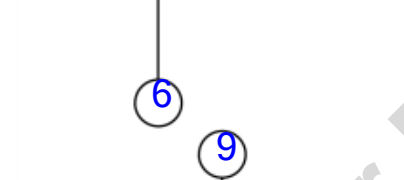
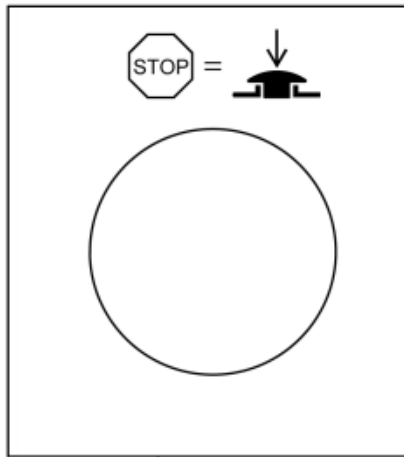
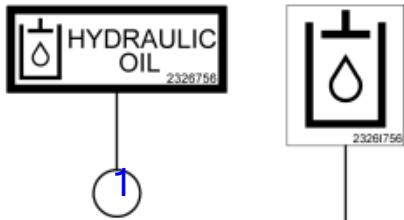
Fig 01-09

REF NO.	PART NO.	DESCRIPTION	QTY.	REMARKS
1	7000C446	DECAL - NO WELD	5	Domestic
2	700IC446	DECAL - NO WELD	5	International
3	7000D936	DECAL - WARNING - SECURE WITH LOCK PIN	1	Domestic
4	700ID936	DECAL - WARNING - SECURE WITH LOCK PIN	1	International
5	7000F691	DECAL-WARNING, ROLLOVER CAN CRUSH	2	Domestic
6	700IF691	DECAL-WARNING, ROLLOVER CAN CRUSH	2	International
7	70000563	DECAL-WARNING (UND)	1	Domestic
8	7000I563	DECAL-WARNING (UND)	1	International
9	70000044	DECAL - WARNING	1	Domestic
10	7000I044	DECAL-WARNING	1	International

Provided for Free by Trenchwell.com
Shop Aftermarket Parts

Decals-Miscellaneous 1

Fig 01-10



Notice • Mitteilung • Avis • Aviso • Aviso

NOTICE TO OWNER – Replacement manuals are free of charge by registering your used Vermeer machine. Your machine's Operator's, Maintenance and Parts Manuals may be available online at www.myvermeer.com. For questions about online or printed manuals, or to register a used machine, contact the Customer Data Department by telephone: 800-829-0051 or 641-628-3141; email: customerdata@vermeer.com; internet: www.vermeer.com or www.myvermeer.com; or letter: Customer Data Dept., Vermeer Corporation, PO Box 200, Pella IA 50219 USA

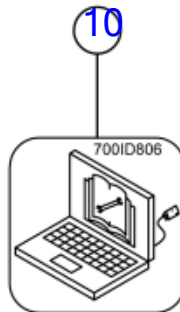
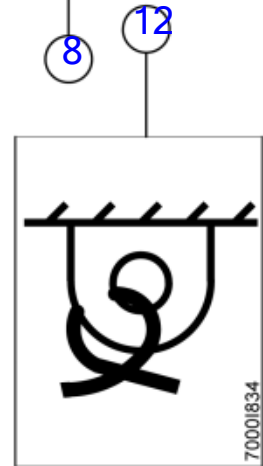
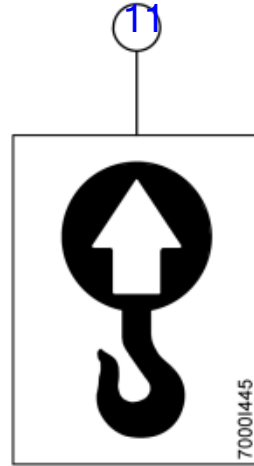
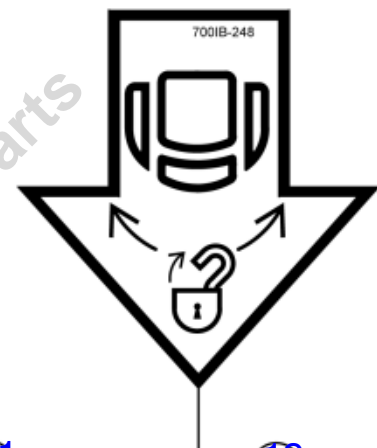
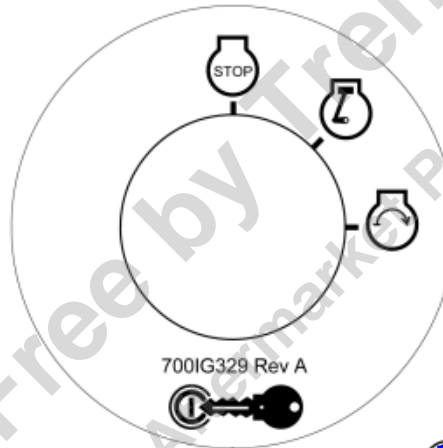
MITTEILUNG AN DEN EIGENTÜMER: Ersatzhandbücher sind bei der Registrierung einer Gebrauchsmaschine von Vermeer kostenlos erhältlich. Die Benutzer-, Wartungs- und Ersatzteilehandbücher sind eventuell online unter www.myvermeer.com verfügbar. Bei Fragen zu den Online- oder Druckversionen der Handbücher oder wenn Sie eine Gebrauchsmaschine registrieren möchten, wenden Sie sich bitte auf eine der folgenden Arten an die Customer Data-Abteilung: Telefonisch unter der Rufnummer 800-829-0051 oder 641-628-3141, per E-Mail unter customerdata@vermeer.com, per Internet unter www.vermeer.com oder www.myvermeer.com oder schriftlich an die Postanschrift: Customer Data Dept., Vermeer Corporation, PO Box 200, Pella IA 50219 USA

AVIS AU PROPRIÉTAIRE – Des manuels de remplacement sont disponibles gratuitement lorsque vous enregistrez votre machine Vermeer d'occasion. Il est possible que les manuels d'utilisation, d'entretien et de pièces détachées soient disponibles en ligne à l'adresse www.myvermeer.com. Pour toute question concernant les manuels en ligne ou imprimés ou pour enregistrer une machine d'occasion, contactez le service des données clientèle (Customer Data Department) par téléphone au : +1 800-829-0051 ou +1 641-628-3141; par courriel à : customerdata@vermeer.com; sur Internet à : www.vermeer.com ou www.myvermeer.com; ou par la poste à : Customer Data Dept., Vermeer Corporation, PO Box 200, Pella IA 50219 États-Unis

AVISO AL PROPIETARIO – Los manuales de reemplazo son gratuitos registrando su máquina de Vermeer usada. Los manuales de operación, mantenimiento y piezas de su máquina pueden estar disponibles en línea en www.myvermeer.com. En caso de dudas sobre manuales en línea o impresos, o para registrar una máquina usada, póngase en contacto con el Departamento de Datos del Cliente por teléfono: 800-829-0051 o 641-628-3141; correo electrónico: customerdata@vermeer.com; internet: www.vermeer.com o www.myvermeer.com; o por correo postal: Customer Data Dept., Vermeer Corporation, PO Box 200, Pella IA 50219 USA

AVISO AO PROPRIETÁRIO – Manuais de reposição são gratuitos após o registro de sua máquina Vermeer usada. Os manuais de operação, manutenção e o catálogo de peças de sua máquina podem estar disponíveis online em www.myvermeer.com. Em caso de dúvidas sobre manuais online ou impressos, ou sobre como registrar sua máquina usada, entre em contato com o Customer Data Department através do telefone 800-829-0051 ou 641-628-3141; email: customerdata@vermeer.com; internet: www.vermeer.com ou www.myvermeer.com; ou via carta: Customer Data Dept., Vermeer Corporation, PO Box 200, Pella IA 50219 USA

2326940 Rev E



Decals-Miscellaneous 1

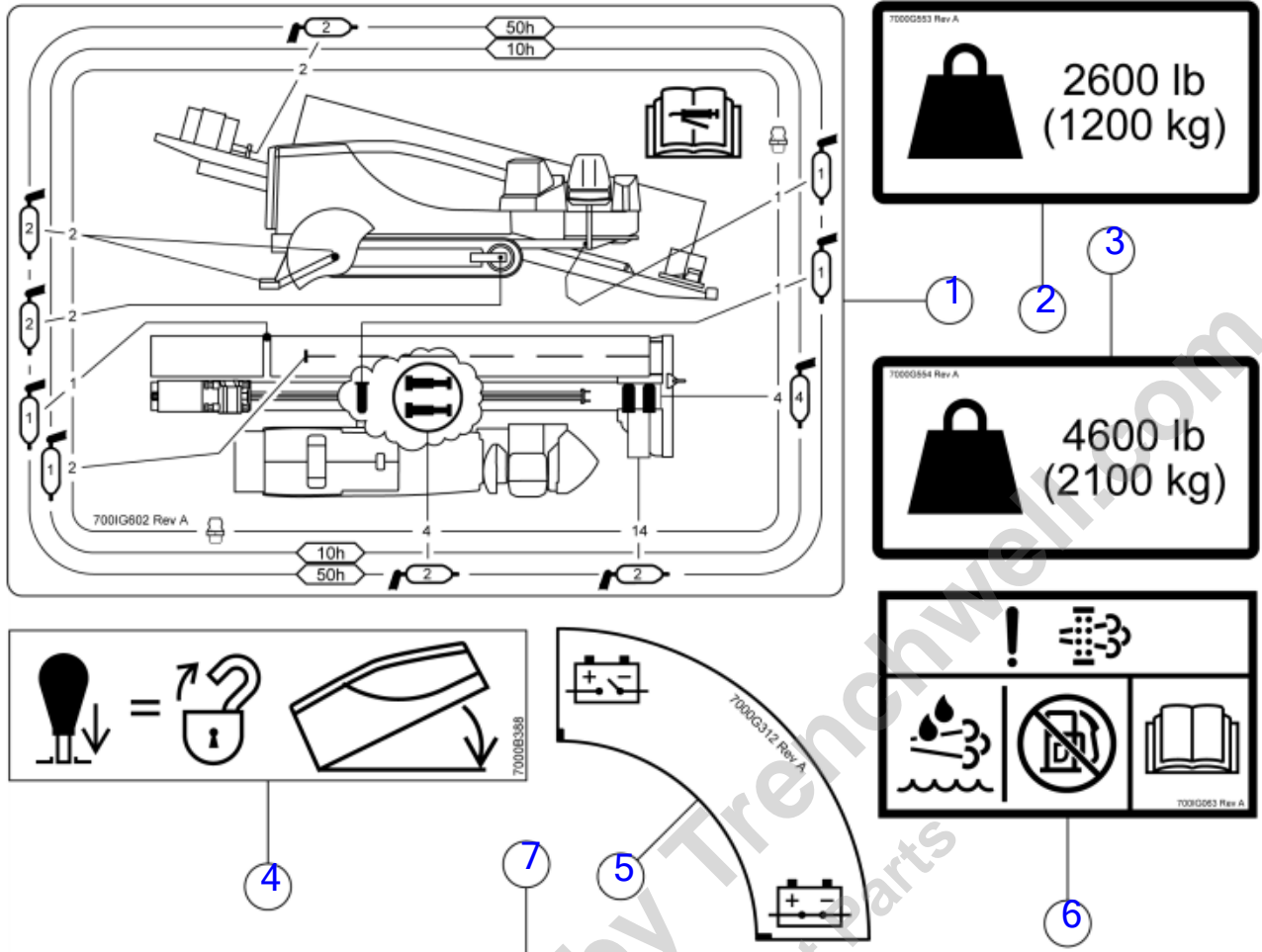
Fig 01-10

REF NO.	PART NO.	DESCRIPTION	QTY.	REMARKS
1	2326756	DECAL-HYDRAULIC OIL	1	Domestic
2	23261756	DECAL-HYDRAULIC FLUID	1	International
3	2326940	DECAL-NOTICE TO OWNERS	1	
4	7000F444	DECAL-DIESEL FUEL SPECIFICATION	1	Domestic
5	700IF444	DECAL-DIESEL FUEL SPECIFICATION	1	International
6	7000C073	DECAL - E-STOP	2	
7	700IG329	DECAL-THREE WAY IGNITION	1	
8	700IB248	DECAL - PUSH	2	
9	700IF995	DECAL-CONSOLE, RIGHT SIDE PANEL	1	
10	700ID806	DECAL - CAN BUS PORT	1	
11	7000I445	DECAL-LIFT POINT	10	
12	7000I834	DECAL - TIE DOWN POINT	8	

Provided for Free by Trenchwell.com
Shop Aftermarket Parts

Decals-Miscellaneous 2

Fig 01-11



Freeze-protects entire Navigator water system

Vermeer

NAVIGATOR FREEZE GUARD

ANTI-FREEZE AND LUBRICANT

5 U.S. GAL.

Health Hazard Data:

Eyes: May cause minor eye irritation. Flush with fresh water for approximately 20 minutes. If irritation persists, call a physician.

Skin Contact: Not expected to present a significant skin hazard under anticipated conditions of normal use.

Ingestion: Not expected to present a significant ingestion hazard under anticipated conditions of normal use.

Vermeer Manufacturing Company / Pella, Iowa 50219

70000-675

Decals-Miscellaneous 2

Fig 01-11

REF NO.	PART NO.	DESCRIPTION	QTY.	REMARKS
1	700IG602	DECAL-MED. NAV. GREASE CHART	1	
2	7000G553	DECAL-LOAD CAPACITY, SHORT ROD BOX	2	
3	7000G554	DECAL-LOAD CAPACITY, TALL ROD BOX	2	
4	7000B388	DECAL - HOOD LATCH	1	
5	7000G312	DECAL-BATTERY DISCONNECT SWITCH	1	
6	700IG063	DECAL- DIESEL EXHAUST FLUID (DEF)	1	
7	70000675	DECAL-NAVIGATOR FREEZE GUARD	1	

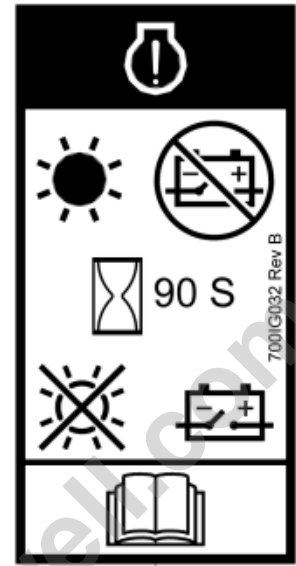
Provided for Free by Trenchwell.com
Shop Aftermarket Parts

Decals-Miscellaneous 3

Fig 01-12

LUBRICANT CHART		
LOCATION	CAPACITY	TYPE
ENGINE OIL	WITH FILTER 15.5 QT (14.7L) W/O FILTER 14.0 QT (13.3L)	15W-40 HD -ROTELLA T MULTIGRADE -JOHN DEERE PLUS 50 II
HYDRAULIC OIL TANK	55 GAL (208L)	-VERMEER HYPOWER 46 -VERMEER HYPOWER 68 -VERMEER HYPOWER 100
DRILL FLUID PUMP CRANKCASE	4.5 QT (4.3L)	SAE-40 -VERMEER XTRAGOLD 40
ENGINE RADIATOR	8.0 GAL (30.3L)	MIX 50% WATER AND 50% ETHYLENE GLYCOL BASE ANTIFREEZE TO -34° F (-37°C) PROTECTION (NITRITE FREE)
SYSTEM ANTIFREEZE TANK	5 GAL (18.9L)	RV ANTIFREEZE
TRACK PLANETARIES	HALF FULL	ALL PURPOSE GEAR LUBE 80W-90

See Operator's Manual for detailed instructions. 7000H117 Rev A



1

2

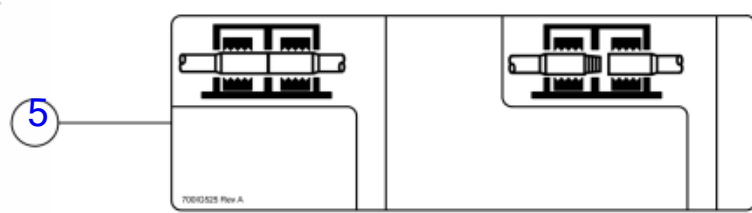
Rotation Pump Check charge pressure at high idle. Oil between 100°F and 120°F. Target = 350 - 370 psi	Thrust Pump Check charge pressure at high idle. Oil between 100°F and 120°F. Target = 350 - 370 psi	Mud Drive Pump Check charge pressure at high idle. Oil between 100°F and 120°F. Target = 350 - 370 psi
--	--	---

7000G647 Rev B

3

4

VERMEER HY POWER
 This hydraulic oil was installed at the factory.
 Refer to service manual for other equivalent oils.
 70000394



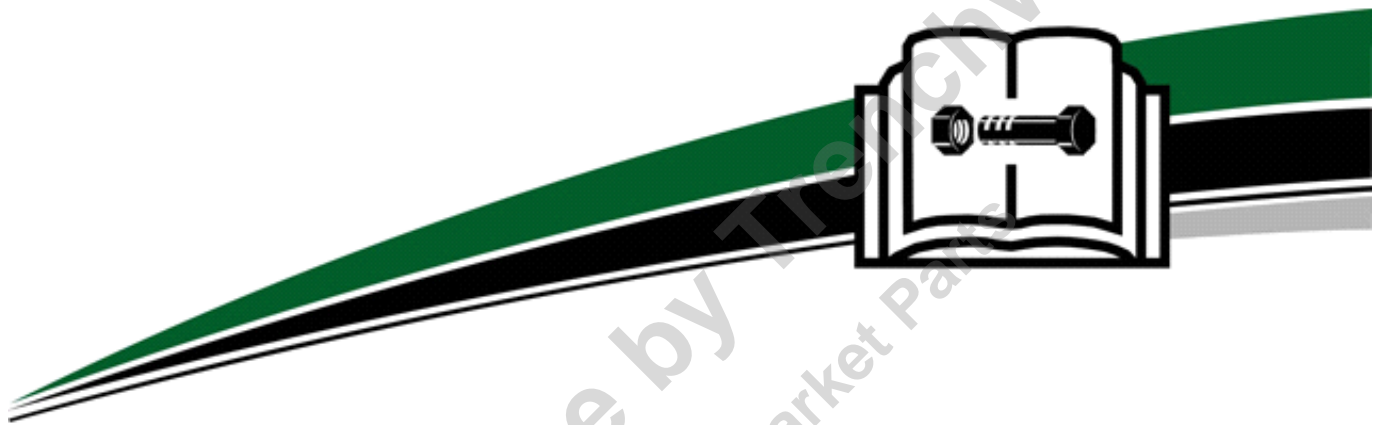
Decals-Miscellaneous 3

Fig 01-12

REF NO.	PART NO.	DESCRIPTION	QTY.	REMARKS
1	7000H117	DECAL-FLUID CAPACITIES SN:000546--	1	(SN 546-)
2	700IG032	DECAL-BATTERY DISCONNECT	1	
3	7000G647	DECAL-INFORMATION	1	
4	70000394	DECAL-VERMEER HY POWER	1	
5	700IG525	DECAL-ROD POSITIONER	1	

Provided for Free by Trenchwell.com
Shop Aftermarket Parts

Main Frame & Outrigger



Main Frame & Outrigger

Undercarriage (SN 101-806)	Fig	02-01
Undercarriage (SN 807-)	Fig	02-01R01
Motors - Track Drive	Fig	02-02
Breakdown-Track Drive Planetary	Fig	02-02T01
Breakdown-Track Drive Motor	Fig	02-02T02
Track Tightener	Fig	02-03
Breakdown-Track Tightener Cylinder	Fig	02-03T01
Rubber Tracks	Fig	02-04
Breakdown-Rubber Track	Fig	02-04T01
Diverter Valves	Fig	02-05
Breakdown-Diverter Valve	Fig	02-05T01
Hydraulic Enable Valve	Fig	02-06
Breakdown-Hydraulic Enable Valve	Fig	02-06T01
Batteries	Fig	02-07
Outrigger	Fig	02-08
Outrigger Cylinder	Fig	02-09
Breakdown-Outrigger Cylinder	Fig	02-09T01
Valve - Outrigger/Rack Lift	Fig	02-10
Breakdown-Outrigger/Rack Lift Valve	Fig	02-10T01

Provided for Free by Trenchwell.com
Shop Aftermarket Parts

Undercarriage (SN 101-806)

Fig 02-01

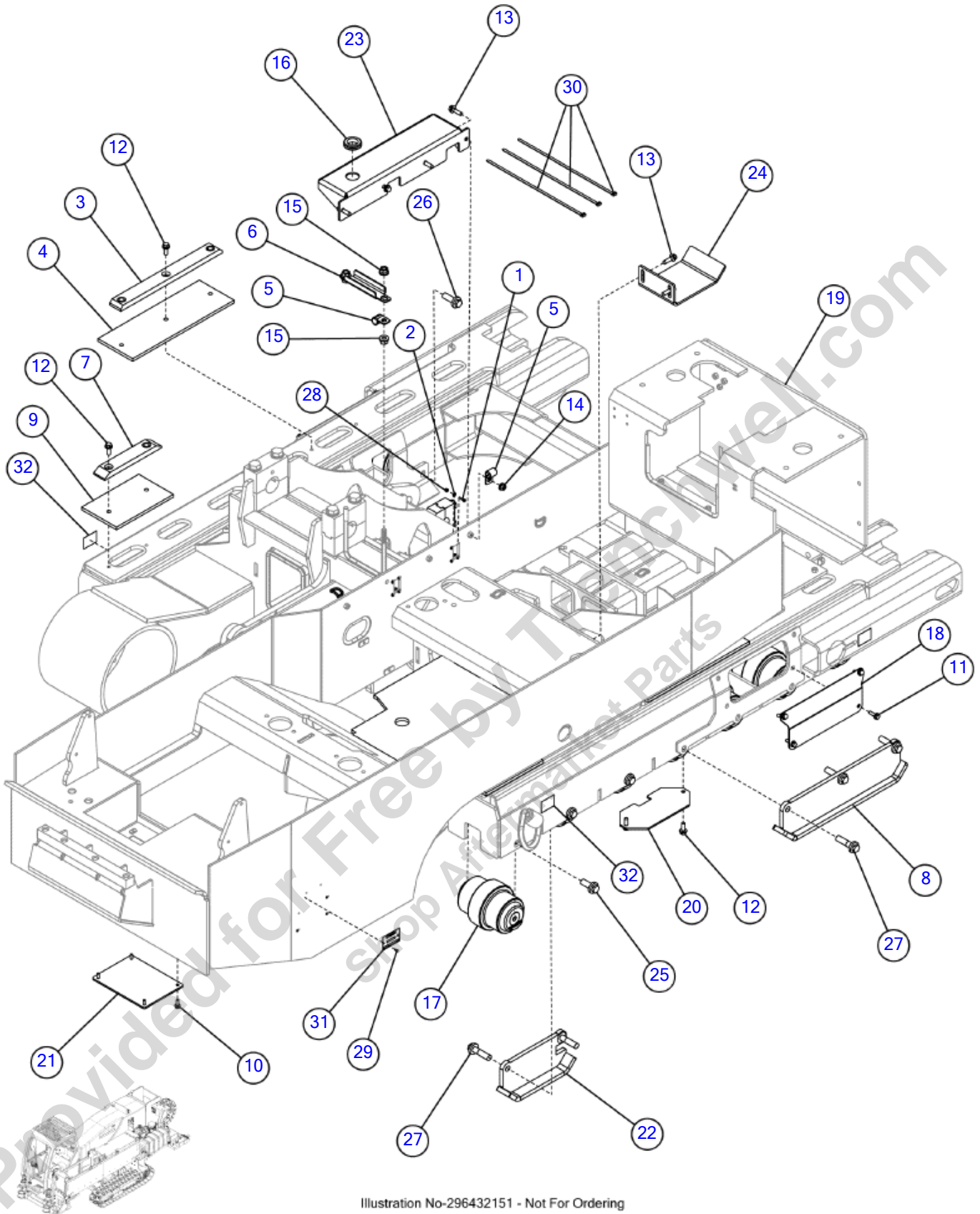


Illustration No-296432151 - Not For Ordering

Undercarriage (SN 101-806)

Fig 02-01

REF NO.	PART NO.	DESCRIPTION	QTY.	REMARKS
1	10530006	SCREW-#8-32X3/4 SLOT RD.HD.	8	
2	224769001	WASHER-#8 FLAT	8	
3	244455001	BAR -UPPER TRACK WEAR	2	
4	244456001	BAR - LOWER TRACK WEAR	2	
5	2595019	CLAMP-HOSE, 3/4in W/ 17/32 HOLE, VINYL	2	
6	285532001	ROD - HOSE LOOP COVER	1	
7	285777001	BAR - UPPER TRACK WEAR	2	
8	296275353	ROCK GUARD	2	
9	296280079	BAR LOWER TRACK WEAR	2	
10	296300753	SCREW-HFS-.25-20X.75-GR8-YZ	4	
11	296300763	SCREW,HFS,.31,18X1.00,GR8,YZ	8	
12	296300772	SCREW HFS .38-16X1.00 GR8 YZ	12	
13	296300773	SCREW-HFS-.38-16X1.25-GR8-YZ	6	
14	296300850	NUT-HEXFLGTL-.38-16-G-YZ	1	
15	296300851	NUT-HEXFLGTL-.50-13-G-YZ	4	
16	296301516	GROMMET-SYM-1.25X2.00-.25GW-1.50GD-.51OT-RUB-BLK	1	
17	296307930	ROLLER - LOWER TRACK	14	
18	296403778	PLATE - COVER	2	
19	296414040	WELDMENT - UNDERCARRIAGE D24X40III	1	
20	296424702	PLATE - DIVERTER VALVE COVER	1	
21	296426706	PLATE - AFTER TREATMENT BOLT ACCESS	1	
22	296432042	WELDMENT - INNER ROCK GUARD	2	
23	296443867	PLATE - HARNESS BULKHEAD COVER/STEP	1	
24	296472014	PLATE - CHARGE FILTER GUARD	1	
25	507614040	SCREW HFS M16 2.00 X 40 10.9 YZ ANSI B18.2.3.9M FT	14	
26	507614045	SCREW-HFS,M16-2.00X45,10.9.YZ,ANSI,B18.2.3.9M,FT	4	
27	507614060	SCREW-HFS,M16-2.00X60,10.9,YZ,ANSI,B18.2.3.9M,PT	10	
28	510368453	NUT-NYLOCK-8-32-GR2-YZ	8	
29	547001	POP RIVET SS44D	6	
30	58151001	STRAP-CABLE TIE-T120R-0 15"	3	
31	65390001	SERIAL PLATE BLANK	1	
32	70001834	DECAL - TIE DOWN POINT	4	

Undercarriage (SN 807-)

Fig 02-01R01

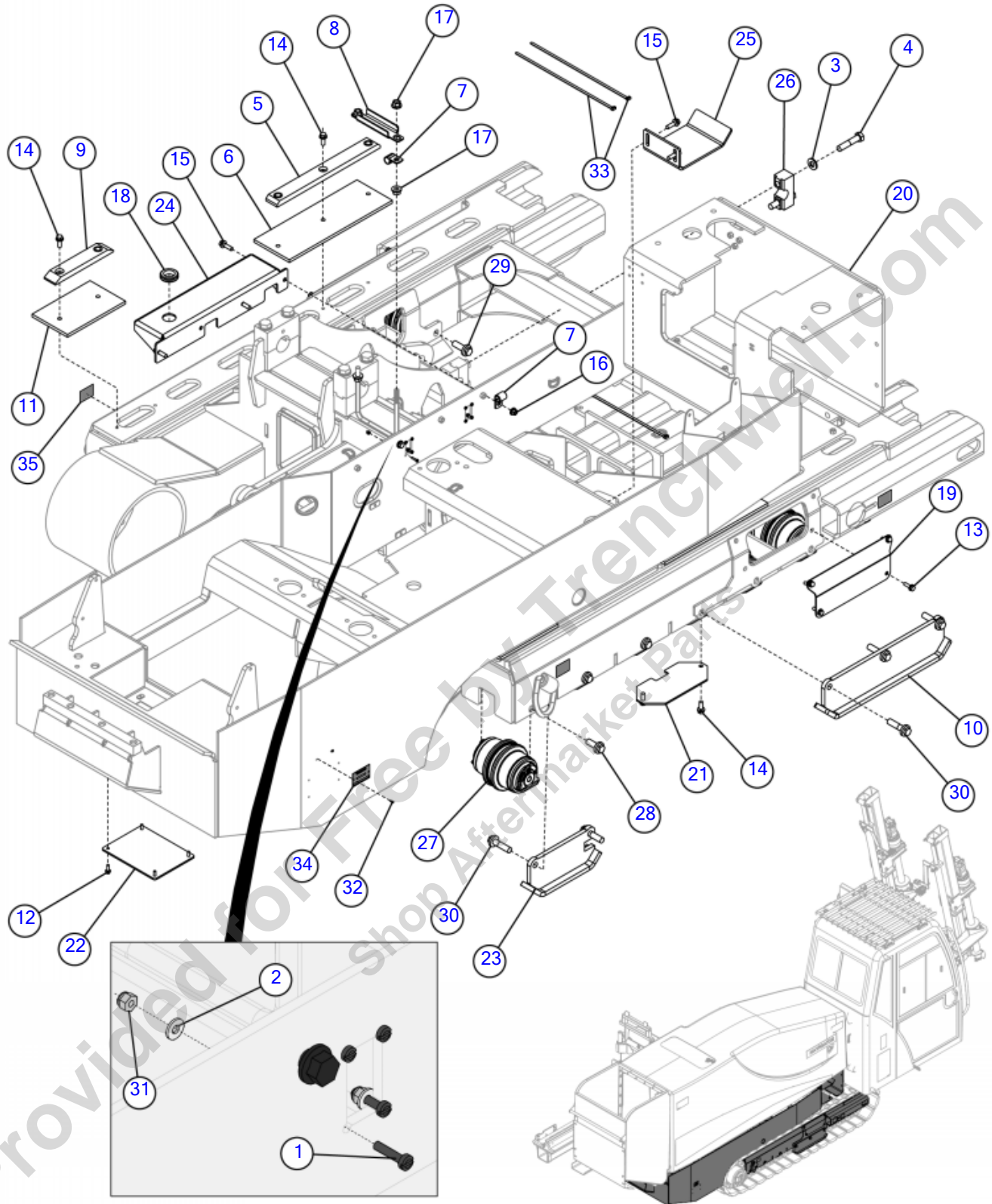


Illustration No. 296432151 - Not For Ordering

Undercarriage (SN 807-)

Fig 02-01R01

REF NO.	PART NO.	DESCRIPTION	QTY.	REMARKS
1	10530006	SCREW-#8-32X3/4 SLOT RD.HD.	8	
2	224769001	WASHER-#8 FLAT	8	
3	235715001	WASHER-FLATSTRL-.63-.66 X 1.31-.15-A325	4	
4	235747001	BOLT-5/8-11X3 GR8 HEX	4	
5	244455001	BAR -UPPER TRACK WEAR	2	
6	244456001	BAR - LOWER TRACK WEAR	2	
7	2595019	CLAMP-HOSE, 3/4in W/ 17/32 HOLE, VINYL	2	
8	285532001	ROD - HOSE LOOP COVER	1	
9	285777001	BAR - UPPER TRACK WEAR	2	
10	296275353	ROCK GUARD	2	
11	296280079	BAR LOWER TRACK WEAR	2	
12	296300753	SCREW-HFS-.25-20X.75-GR8	4	
13	296300763	SCREW,HFS,.31,18X1.00,GR8	8	
14	296300772	SCREW HFS .38-16X1.00 GR8	12	
15	296300773	SCREW-HFS-.38-16X1.25-GR8	6	
16	296300850	NUT-HEXFLGTL-.38-16-G	1	
17	296300851	NUT-HEXFLGTL-.50-13-G	4	
18	296301516	GROMMET-SYM-1.25X2.00-.25GW-1.50GD-.51OT-RUB-BLK	1	
19	296403778	PLATE - COVER	2	
20	296414040	WELDMENT - UNDERCARRIAGE D24X40III	1	
21	296424702	PLATE - DIVERTER VALVE COVER	1	
22	296426706	PLATE - AFTER TREATMENT BOLT ACCESS	1	
23	296432042	WELDMENT - INNER ROCK GUARD	2	
24	296443867	PLATE - HARNESS BULKHEAD COVER/STEP	1	
25	296472014	PLATE - CHARGE FILTER GUARD	1	
26	296480253	BAR-CAP CYLINDER (SERVICE PART)	2	
27	296526806	ROLLER - LOWER TRACK	14	
28	507614040	SCREW HFS M16 2.00 X 40 10.9 ANSI B18.2.3.9M FT	14	
29	507614045	SCREW-HFS,M16-2.00X45,10.9.,ANSI,B18.2.3.9M,FT	4	
30	507614060	SCREW-HFS,M16-2.00X60,10.9,ANSI,B18.2.3.9M,PT	10	
31	510368453	NUT-NYLOCK-8-32-GR2	8	
32	547001	POP RIVET SS44D	6	
33	58151001	STRAP-CABLE TIE-T120R-0 15"	3	
34		SERIAL PLATE BLANK	1	Not Sold Separately
35	70001834	DECAL - TIE DOWN POINT	4	

Motors - Track Drive

Fig 02-02

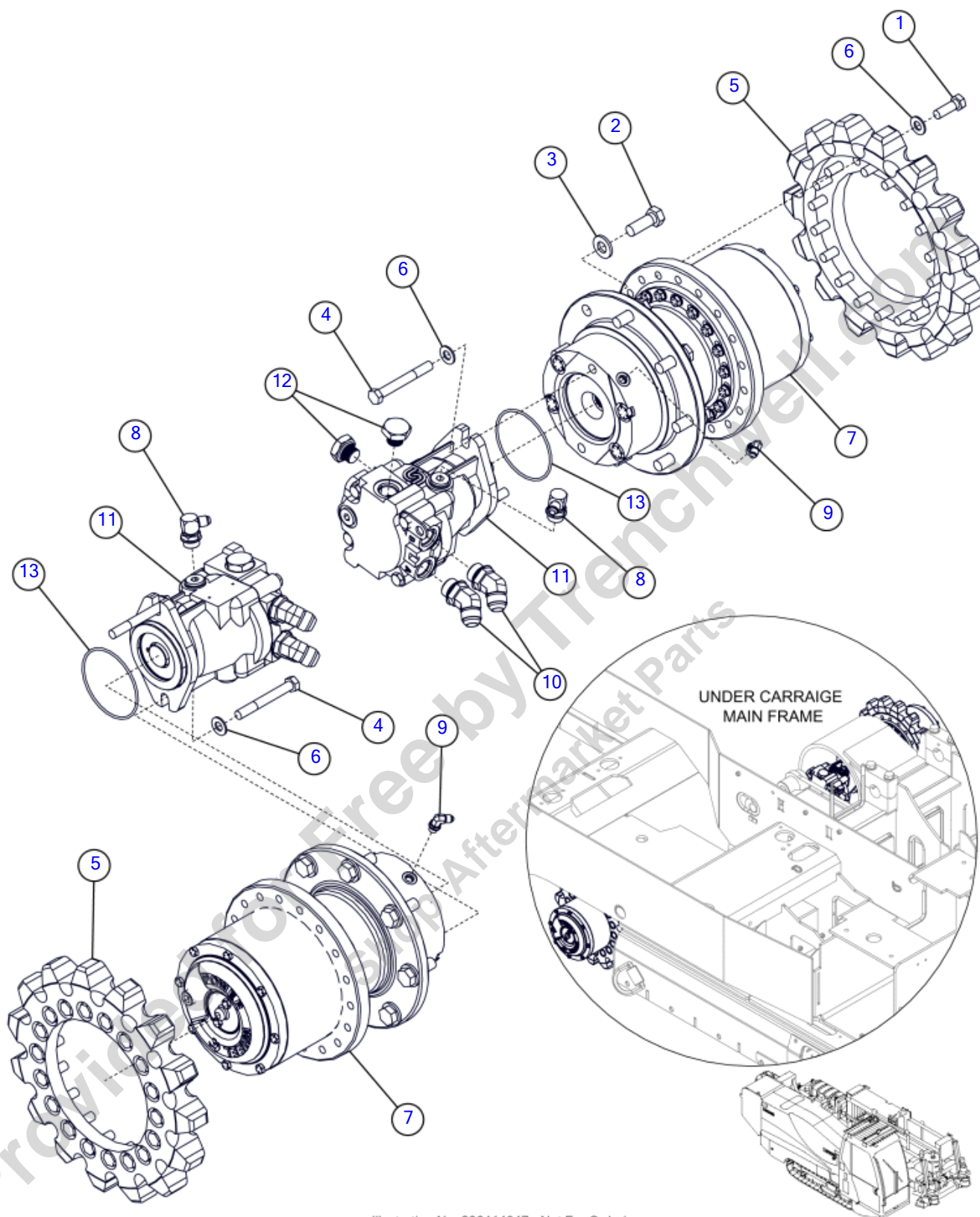


Illustration No. 296414047 - Not For Ordering

Motors - Track Drive

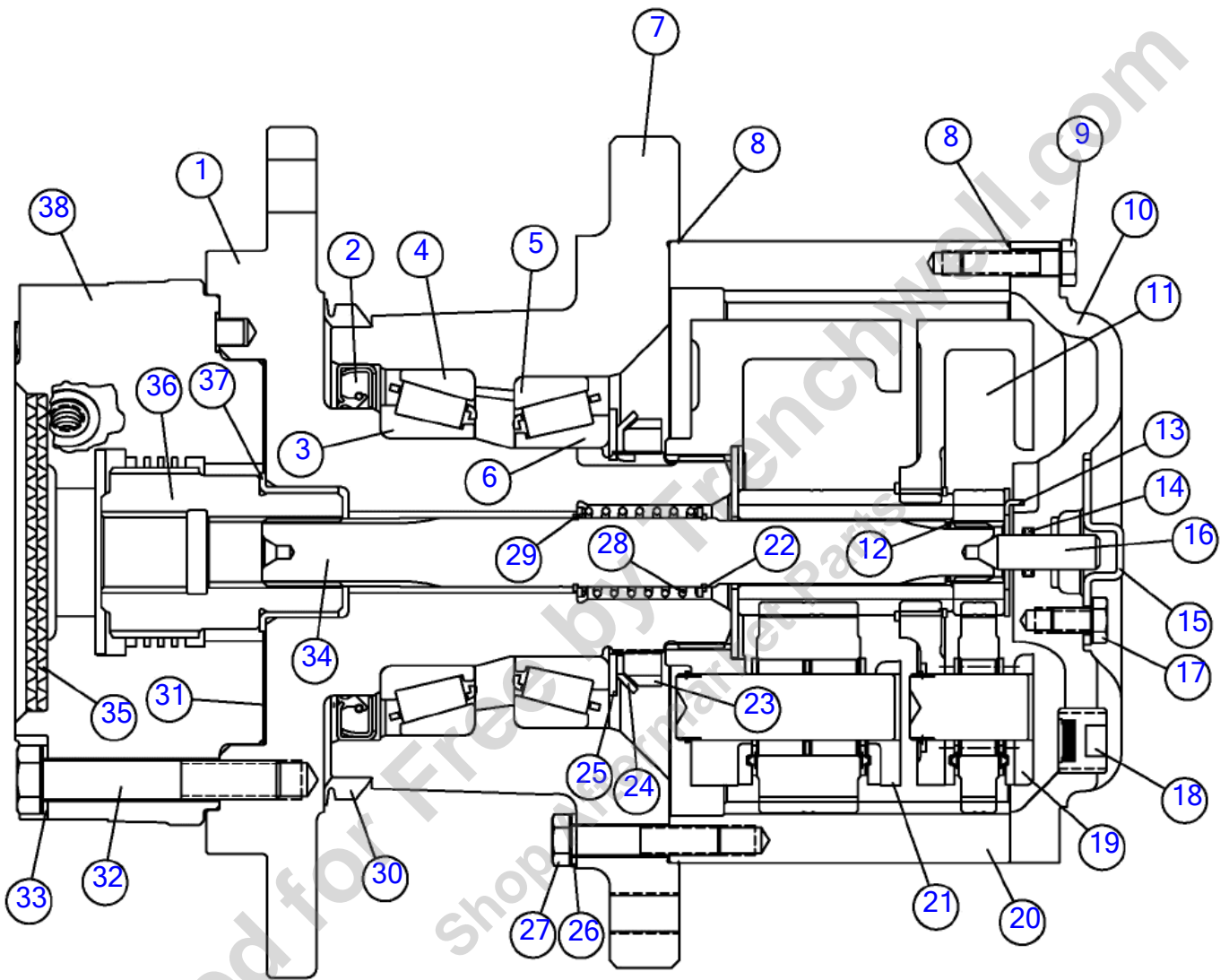
Fig 02-02

REF NO.	PART NO.	DESCRIPTION	QTY.	REMARKS
1	163649330	SCREW-1/2-20 X 1 1/2 GR8 HEX HEAD YZ	36	
2	230728001	BOLT-5/8-11X1 3/4GR 8 PLATED	16	
3	235715001	WASHER-FLATSTRL-.63-.66 X 1.31-.15-YZ-A325	16	
4	75381040	BOLT-1/2-UNCX4 GRADE 8 HEX- YZ	4	
4	(238244001)	BOLT 1/2"-13 X 4"GR8 HEX Y/ZIN	4	
5	244467001	SPROCKET - 15T TRACK DRIVE	2	
6	252253001	WASHER-1/2 SAE FLAT ZP	40	
7	296294642	PLANETARY-AUBURN 7WB15320B4ZX	2	Breakdown Fig. 2-2T01
8	59401001	FITTING-6M JICX10M ADJ. 90 DEG.ELBOW	2	
9	59423001	FITTING-90-4MORBA-4MJ	2	
10	60718001	FITTING - 45 12MJ 12MORBA	4	
11	619555001	MOTOR-FIXED DISPLACEMENT SERIES40-M35/45	2	Breakdown Fig. 2-2T02
12	67570001	FITTING - PLUG - 12MORB - HEX	4	
13	903382001	O-RING AS-155	2	

Provided for Free by Trenchwell.com
Shop Aftermarket Parts

Breakdown-Track Drive Planetary

Fig 02-02T01



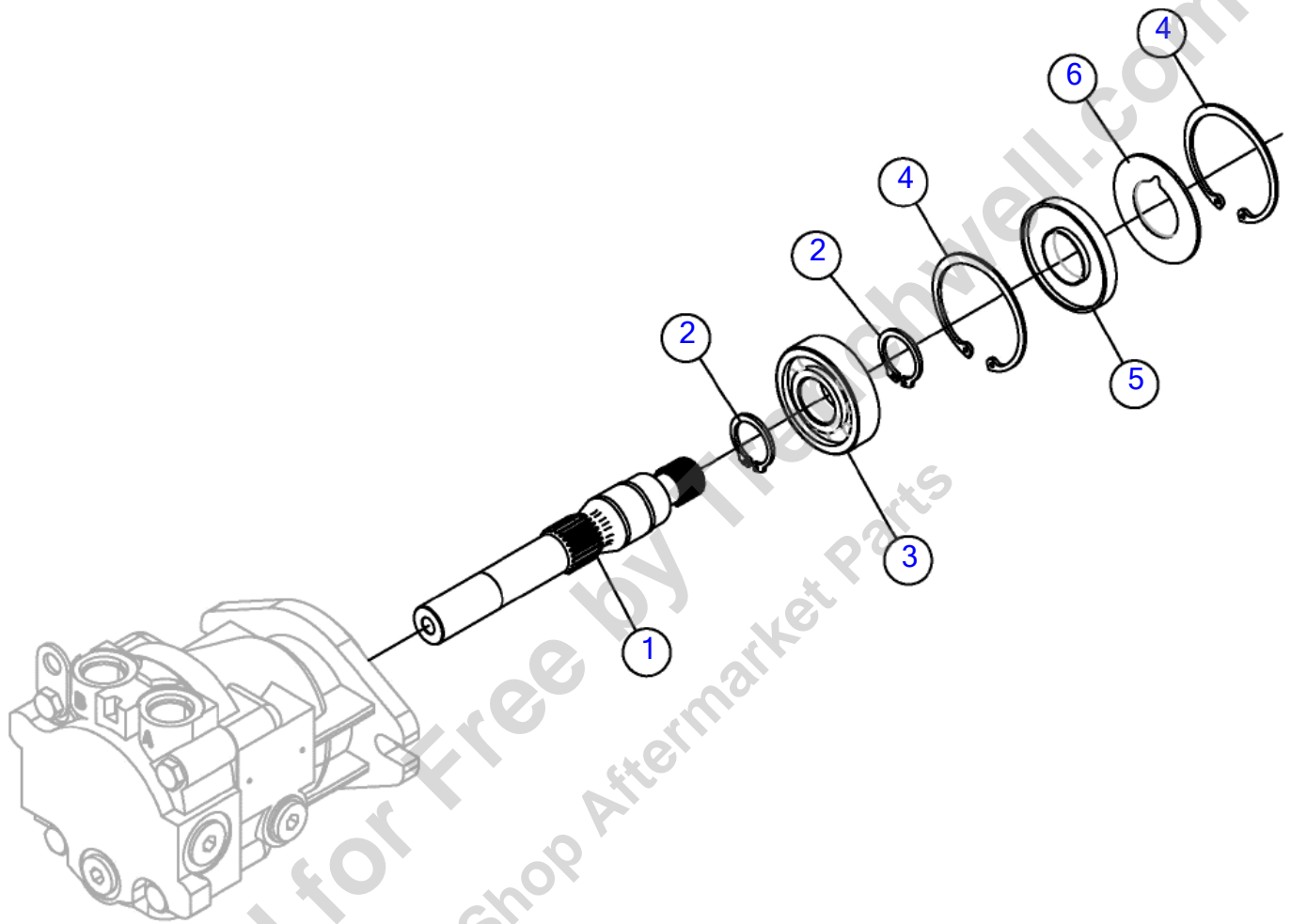
Breakdown-Track Drive Planetary

Fig 02-02T01

REF NO.	PART NO.	DESCRIPTION	QTY.	REMARKS
1	296380033	SPINDLE	1	
2	244405057	SEAL - OIL	1	
3	296380032	BEARING-CONE	1	
4	244405051	BEARING - CUP	1	
4	(296380031)	BEARING-CUP	1	
5	296380030	BEARING-CUP	1	
6	296380029	BEARING-CONE	1	
7	244405009	HUB	1	
8	244405039	COMPOUND - SEALING	2	
9	299026605	BOLT-HEX HEAD - 5/16-18 X 1-1/	8	
10	244405037	COVER	1	
11	299026604	GEAR-PRI SUN -#7	1	
12	180011174	RETAINING RING	1	
13	244405031	WASHER - THRUST	1	
14	180011175	O-RING	1	
15	244405027	COVER - DISENGAGE	1	
16	244405029	PLUNGER	1	
17	244405023	BOLT - HEX HEAD	2	
18	231393049	PLUG - MAGNETIC	1	
19	296380028	ASSY-PRI CARRIER	1	
20	244405019	GEAR - RING	1	
21	296380027	ASSY-SEC CARRIER	1	
22	244405013	WASHER - THRUST	2	
23	244405041	NUT - LOCK	1	
24	244405043	WASHER - LOCK	1	
25	244405045	WASHER - THRUST	1	
26	231393043	WASHER - FLAT	18	
27	299026601	BOLT-HEX HEAD - 3/8-24 X 1-7/8	18	
28	244405011	SPRING - DISENGAGE	1	
29	244405013	WASHER - THRUST	2	
30	231393011	SEAL - BOOT	1	
31	296380025	GASKET	1	
32	510304030	SCREW-HCS-.50-13X3.00-GR5-YZ	2	
33	296380023	WASHER-FLAT	2	
34	296380022	SHAFT-INPUT	1	
35	296380021	PLUG-SHIPING	1	
36	296380020	ADAPTOR-SPLINED	1	
37	296380019	BEARING-FLG SLEEVE	1	
38	296380018	ASSY-BRAKE	1	
	296294642	PLANETARY-AUBURN 7WB15320B4ZX	1	Includes All Items Listed Above

Breakdown-Track Drive Motor

Fig 02-02T02



Breakdown-Track Drive Motor

Fig 02-02T02

REF NO.	PART NO.	DESCRIPTION	QTY.	REMARKS
1	296278068	SHAFT - MOTOR FIXED 15T	1	
2	68859057	RING-RETAINING	2	
3	68859053	BEARING-BALL	1	
4	68859055	RING-RETAINING	2	
5	70027003	SEAL LIP	1	
6	296360719	SEAL SUPPORT WASHER	1	
	296278075	SEAL KIT	1	
	619555001	MOTOR-FIXED DISPLACEMENT SERIES40-M35/45	1	Includes All Items Listed Above

Provided for Free by Trenchwell.com
Shop Aftermarket Parts

Track Tightener

Fig 02-03

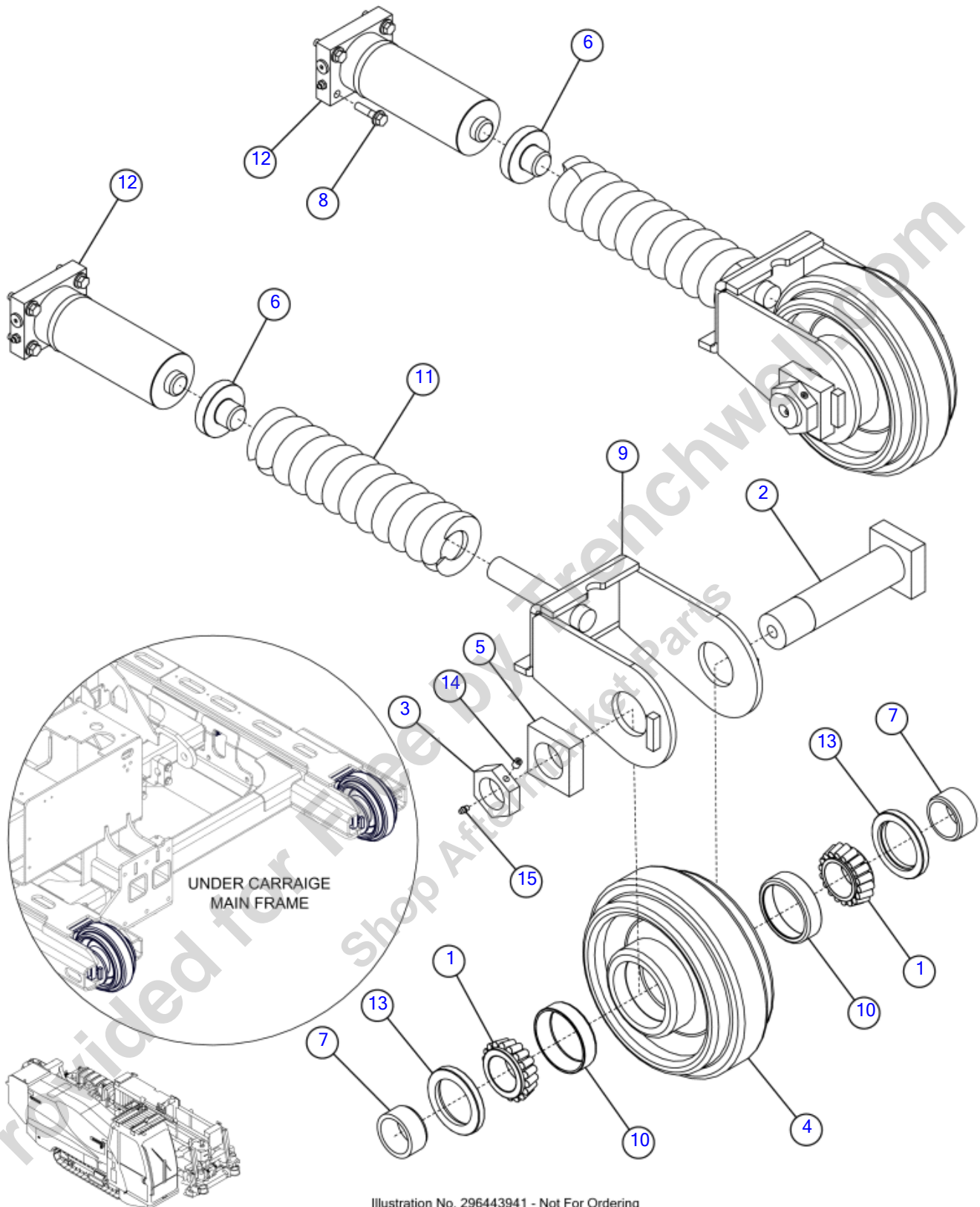


Illustration No. 296443941 - Not For Ordering

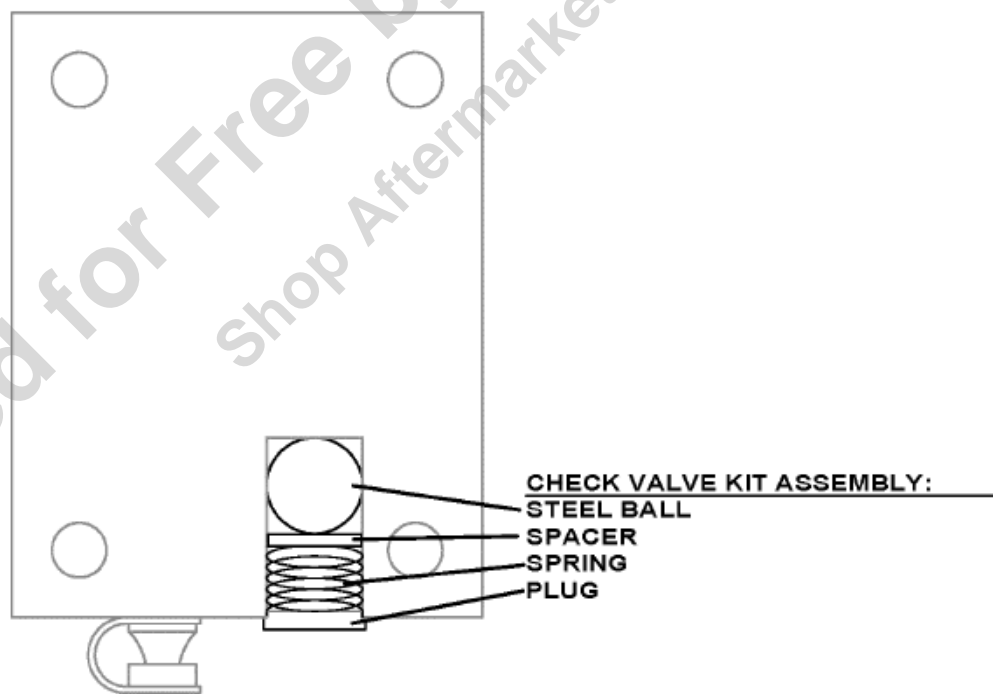
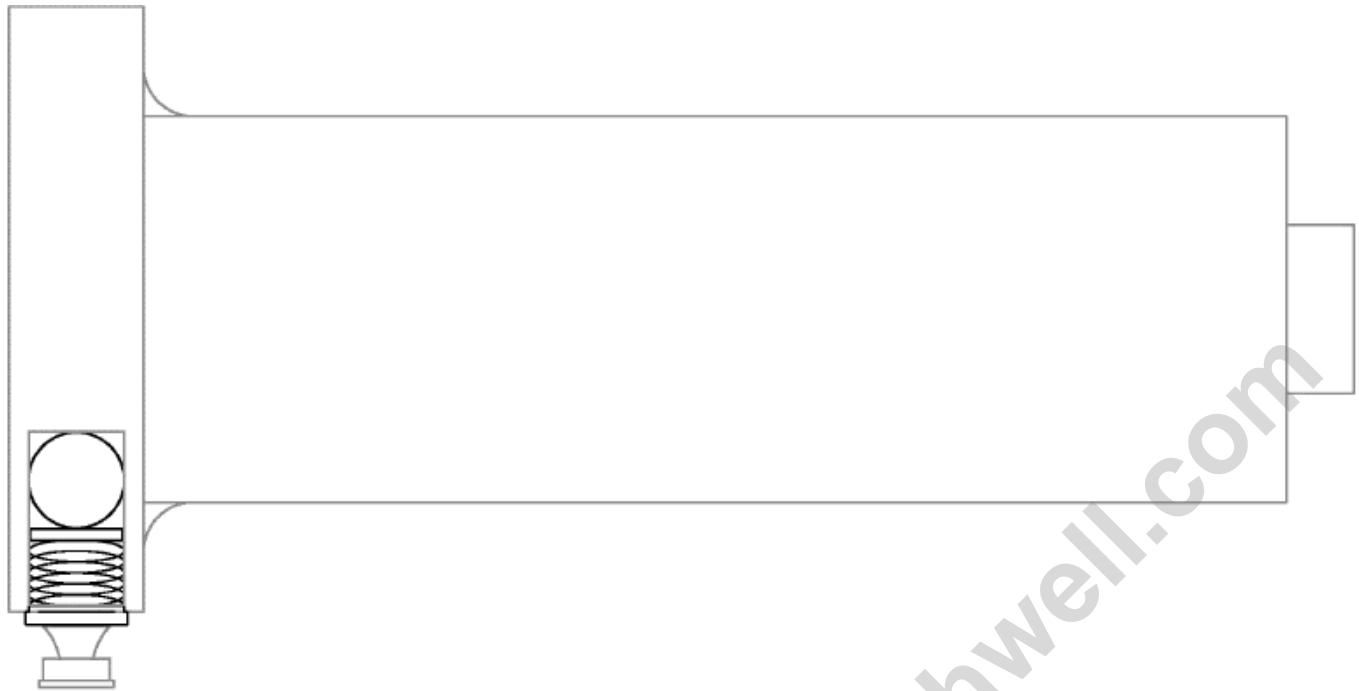
Track Tightener

Fig 02-03

REF NO.	PART NO.	DESCRIPTION	QTY.	REMARKS
1	1716011	TIMKEN CONE 2" #3775	4	
2	251129003	PIN-ASSEMBLY-FRONT IDLER	2	
2	(251129001)	PIN-FRONT IDLER	2	
3	251131003	NUT ASSEMBLY-FRONT IDLER	2	
3	(251131001)	NUT-FRONT IDLER	2	
4	251203001	ROLLER - FRONT TRACK	2	
5	251423001	BLOCK-IDLER ROLLER BOLT	2	
6	251432001	CAP-ROD	2	
7	280532001	SPACER-IDLER ROLLER	4	
8	296300774	SCREW HFS .38 - 16 X 1.50 GR8 YZ	8	
9	296301881	MAW - BRACKET- TRACK END ROLLER	2	
10	296360373	BEARING-CUP (#3720)	4	
11	296443926	SPRING-COMPRESSION 3.50 OD X 1.0 BAR-SHOTPEEN/RUST	2	
12	296443990	CYLINDER-2.75B X 1.25R X 4.50S GREASE 4250 PSI	2	Breakdown Fig. 2-3T01
13	3967001	SEAL -#25091 C/R	4	
14	530001	SSS-3/8-16X1/2	2	
15	598001	FITTING - 1/4" NF ST GREASE ZERK	2	

Breakdown-Track Tightener Cylinder

Fig 02-03T01



Breakdown-Track Tightener Cylinder

Fig 02-03T01

REF NO.	PART NO.	DESCRIPTION	QTY.	REMARKS
	296454153	SEAL KIT	1	
	296454089	CHECK VALVE ASSEMBLY KIT	1	
	296394357	ZERK-1/8 NPT STR LEAKPRF (10K)	1	
	296443990	CYLINDER-2.75B X 1.25R X 4.50S GREASE 4250 PSI		Incl. All Items In Figure
	296443990	CYLINDER-2.75B X 1.25R X 4.50S GREASE 4250 PSI		Incl. All Items In Figure
	(296443931)	CYLINDER- 2.50 X 4.50 GREASE 3500 PSI		Incl. All Items In Figure

Provided for Free by Trenchwell.com
Shop Aftermarket Parts

Rubber Tracks

Fig 02-04

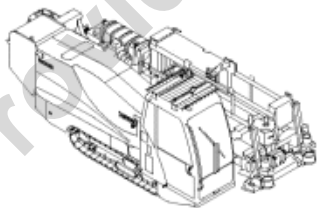
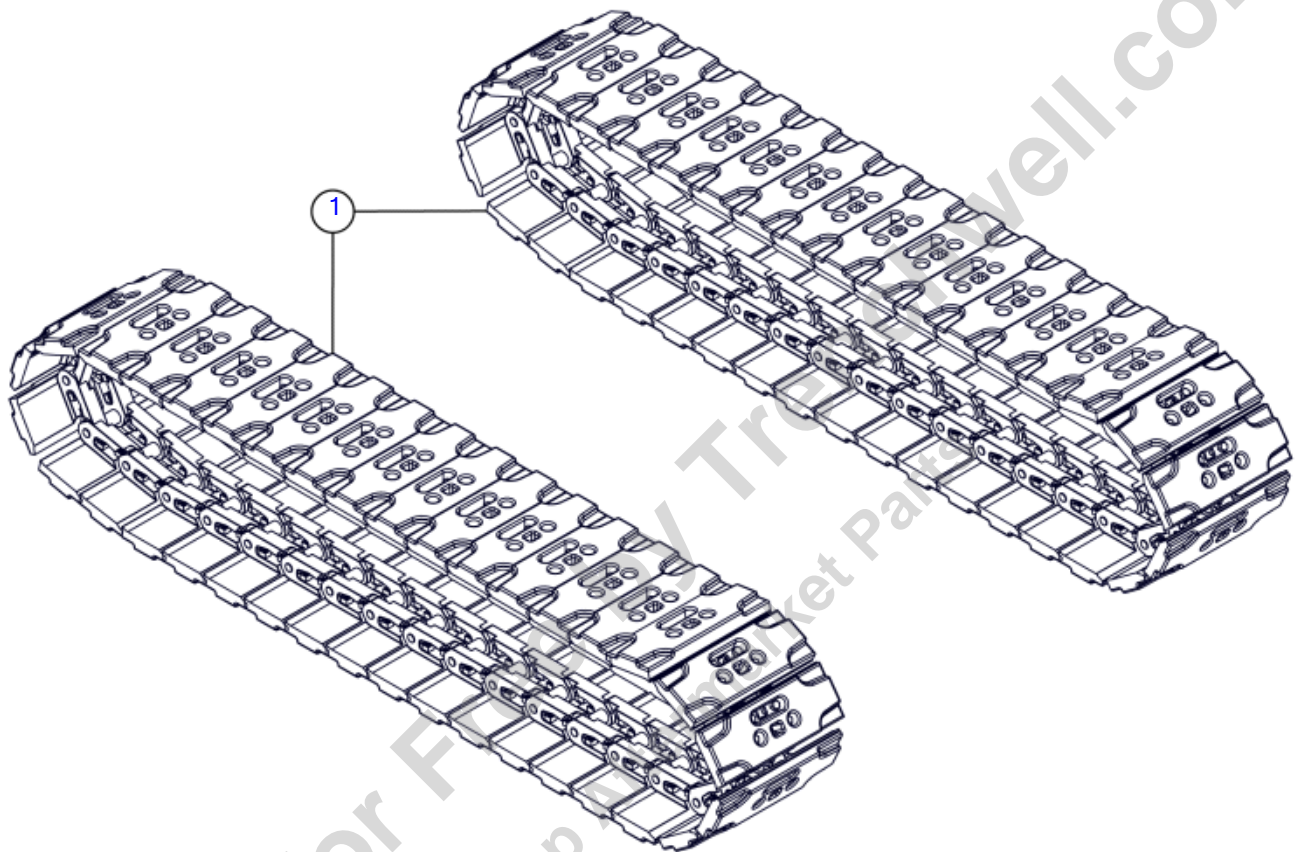


Illustration No. 278856001 - Not For Ordering

Rubber Tracks

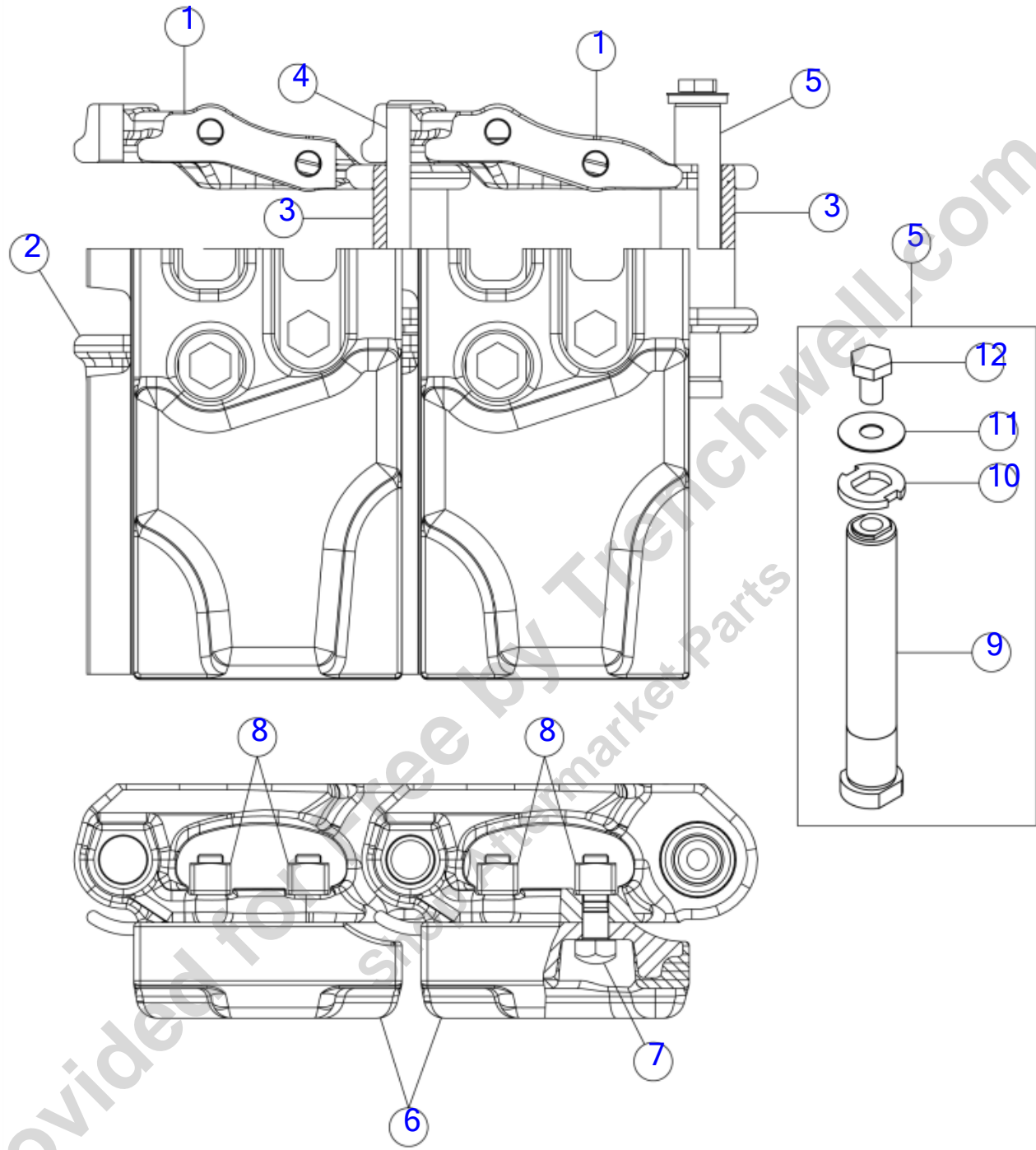
Fig 02-04

REF NO.	PART NO.	DESCRIPTION	QTY.	REMARKS
1	296327088	TRACK-36 SECTION RUBBER	2	Breakdown Fig. 2-4T01
1	296469799	TRACK - 36 SECTION POLYURETHANE	2	Breakdown Fig. 2-4T01

Provided for Free by Trenchwell.com
Shop Aftermarket Parts

Breakdown-Rubber Track

Fig 02-04T01



Breakdown-Rubber Track

Fig 02-04T01

REF NO.	PART NO.	DESCRIPTION	QTY.	REMARKS
1	296332345	TRACK LINK, R.H. 36	36	
2	296332346	TRACK LINK, L.H. 36	36	
3	296332347	TRACK BUSHING 36	36	
4	296332348	TRACK PIN 35	35	
5	296327085	TRACK PIN-MASTER ASSEMBLY	1	Includes items 9 thru 12
6	296332353	SHOE, RUBBER, 400MM	36	Rubber
7	296332351	TRACK SHOE BOLT, M12 X 1. L=40MM 144	144	
8	296332352	TRACK SHOE NUT, M12X 1 144	144	
9	296327081	TRACK PIN-MASTER AK188	1	Included in Item 5
10	296327082	WASHER-LOCK FT217	1	Included in Item 5
11	296327083	WASHER-FLAT FT218	1	Included in Item 5
12	296327084	BOLT-M10X1.25 FT1006	1	Included in Item 5
	296332344	LINK ASSEMBLY, UNSEALED, 38 SECT. 1	1	Includes Items 1 thru 5
	278856001	RUBBER TRACK ASSY	1	Complete Rubber Track Assembly
	296469917	POLY TRACK ASSY	1	Complete Rubber Track Assembly
	296469799	TRACK - 36 SECTION POLYURETHANE	1	Includes All Items Listed Above
	296327088	TRACK-36 SECTION RUBBER	1	Includes All Items Listed Above

Diverter Valves
Fig 02-05

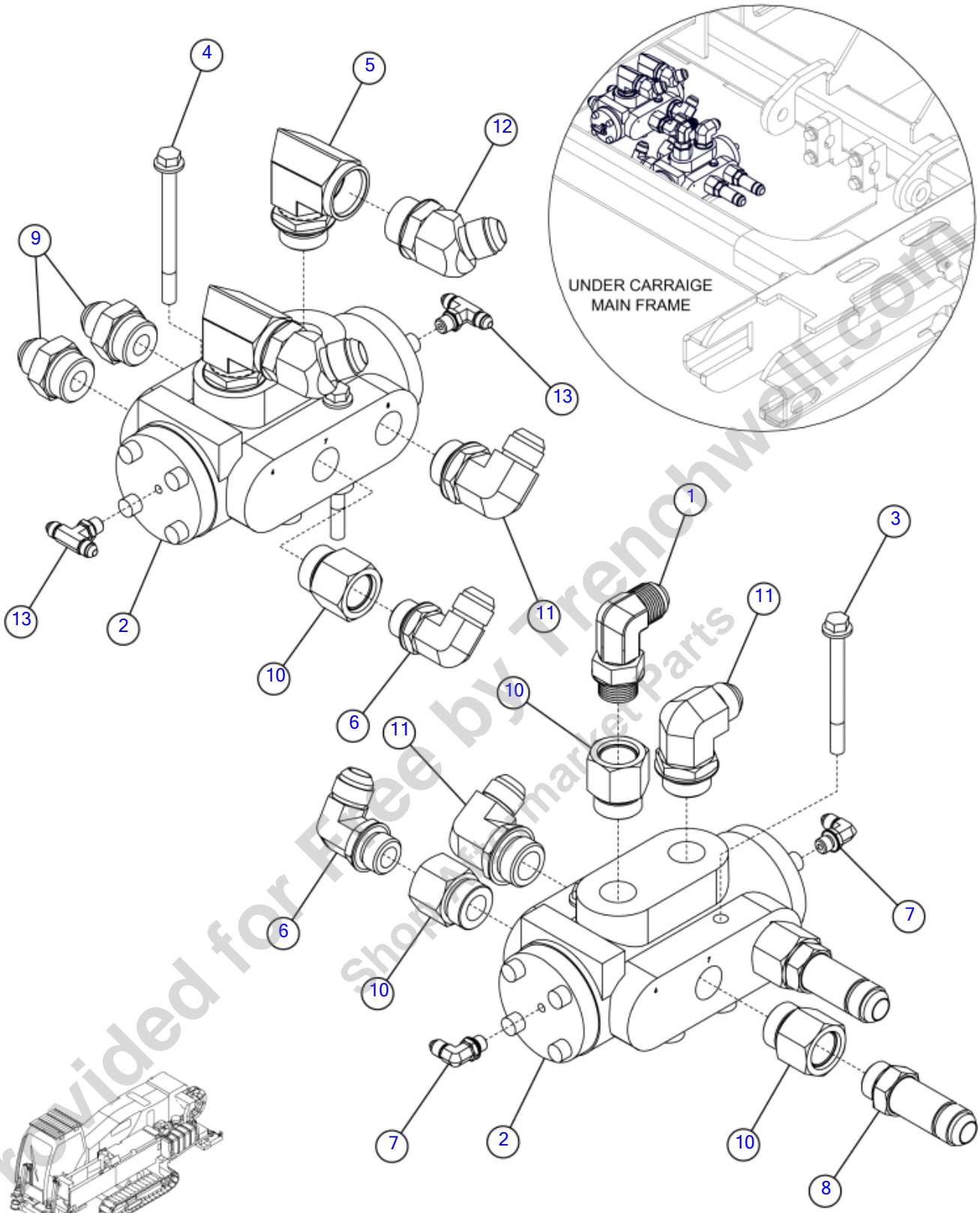


Illustration No. 296432030 - Not For Ordering

Diverter Valves

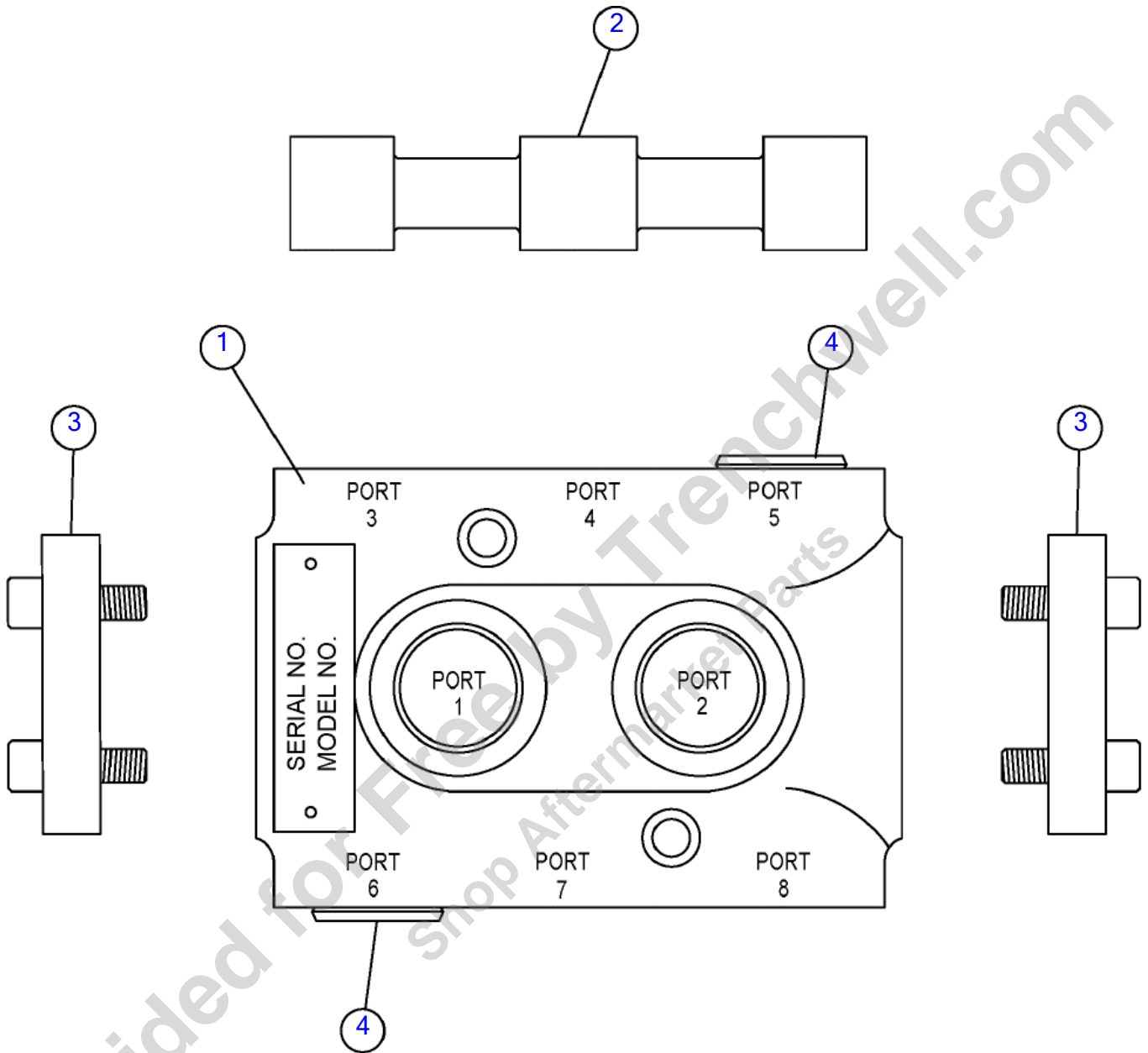
Fig 02-05

REF NO.	PART NO.	DESCRIPTION	QTY.	REMARKS
1	278867001	FITTING-12M X 12M JIC LONG 90	1	
2	296294643	VALVE-DIVERTER	2	Breakdown Fig. 2-5T01
3	296300941	SCREW-HFS-.38-16X4.00 GR8 YZ	2	
4	296300945	SCREW-HFS-.38-16X4.50-GR8-YZ	2	
5	296505950	FITTING-16MORBA-16FORB	2	
6	59410001	FITTING-90-12MJ-12MORBA	2	
7	59423001	FITTING-90-4MORBA-4MJ	2	
8	59434001	ADAPTER-12M JICX12M LONG ST THRD	2	
9	70008001	FITTING-16M X 12M JIC STR.	2	
10	71252001	FITTING - STR - 16MORB - 12FORB	5	
11	78057001	FITTING-90-12MJ-16MORBA	3	
12	81212001	FITTING-16MX12M JIC 45 ELBOW	2	
13	81343001	TEE-4M (BCH)X4M JICX4M JIC	2	

Provided for Free by Trenchwell.com
Shop Aftermarket Parts

Breakdown-Diverter Valve

Fig 02-05T01



Breakdown-Diverter Valve

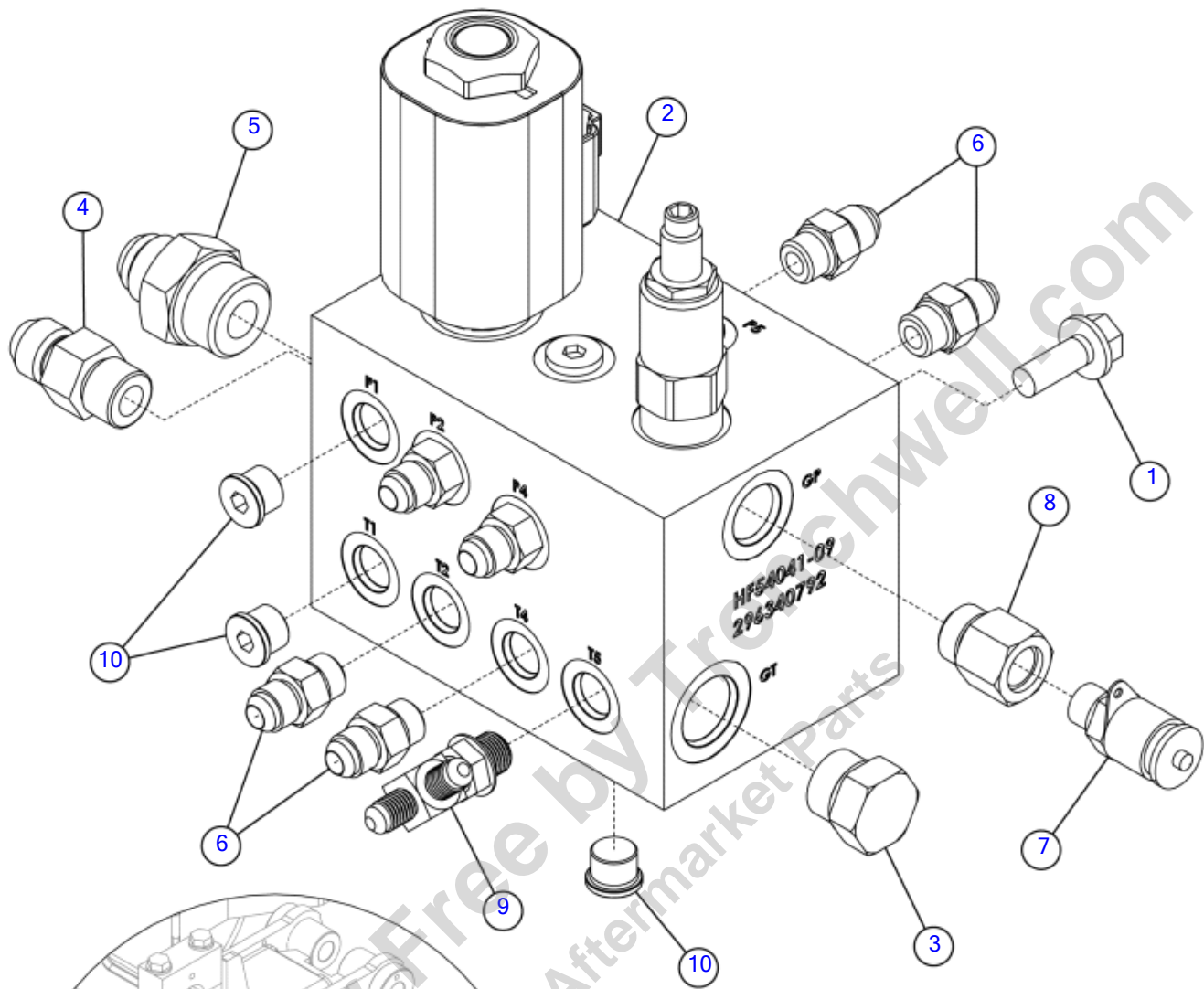
Fig 02-05T01

REF NO.	PART NO.	DESCRIPTION	QTY.	REMARKS
1	262822003	HOUSING & SPOOL	1	
2	296386407	SPOOL	1	
3	296386408	END PLATE	2	
4	296380043	PLUG SAE-16	2	
	296386409	SEAL KIT	1	
	296386410	BOLT KIT	1	
	296294643	VALVE-DIVERTER	1	Includes All Items Listed Above

Provided for Free by Trenchwell.com
Shop Aftermarket Parts

Hydraulic Enable Valve

Fig 02-06



UNDER CARRIAGE
MAIN FRAME

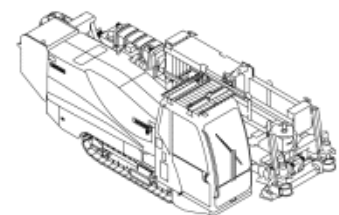


Illustration No. 296412207 - Not For Ordering

Hydraulic Enable Valve

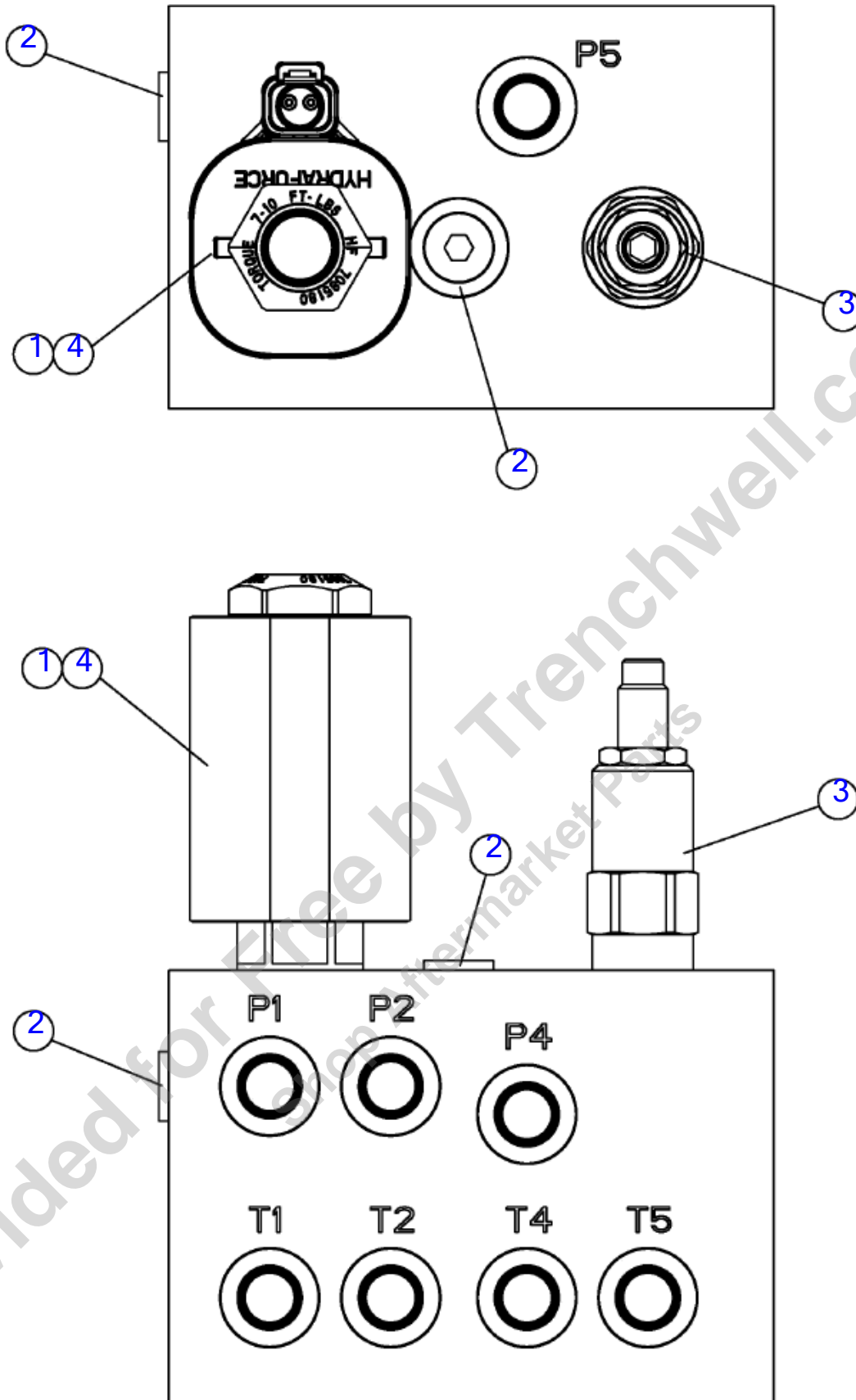
Fig 02-06

REF NO.	PART NO.	DESCRIPTION	QTY.	REMARKS
1	296300772	SCREW HFS .38-16X1.00 GR8 YZ	2	
2	296340792	VALVE-PSI/TANK DISTRIBUTION	1	Breakdown Fig. 2-6T01
3	4235001	FITTING - PLUG - 10MORB - HEX	1	
4	53824001	FITTING-#8M O-RING-#8M JIC ST.	1	
5	53854001	FITTING-12M O-RING-10M JIC ST.	1	
6	65565001	FITTING - 6M O-RING X 6M JIC ST.	8	
7	72056001	FITTING-TEST-6MORB-16MTP	1	
8	81925001	FITTING-8MX6F STRAIGHT	1	
9	82930001	FIT-6MX4M JICX4M JIC (RUN) TEE	1	
10	86678001	PLUG-6M ORING HOLLOW HEX	7	

Provided for Free by Trenchwell.com
Shop Aftermarket Parts

Breakdown-Hydraulic Enable Valve

Fig 02-06T01



Breakdown-Hydraulic Enable Valve

Fig 02-06T01

REF NO.	PART NO.	DESCRIPTION	QTY.	REMARKS
1	180017196	COIL - SIZE 12, 12 VDC, DT04-2P CONNECTOR	1	
2	500659021	PLUG - SAE 06	2	
3	180019034	RELIEF VALVE	1	
3	627530001	SEAL KIT	1	
4	180010389	VALVE - SOLENOID 3-WAY	1	
4	228096007	SEAL KIT	1	
	296340792	VALVE-PSI/TANK DISTRIBUTION	1	Includes All Items Listed Above

Provided for Free by Trenchwell.com
Shop Aftermarket Parts

Batteries

Fig 02-07

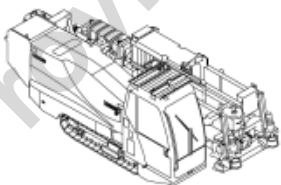
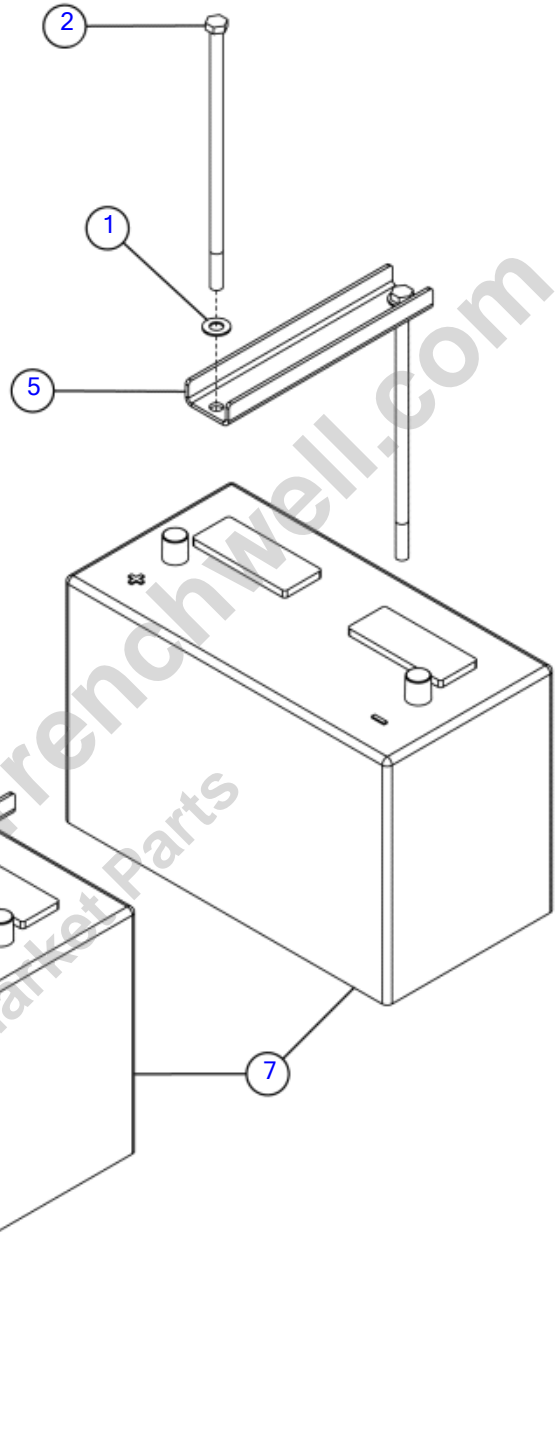
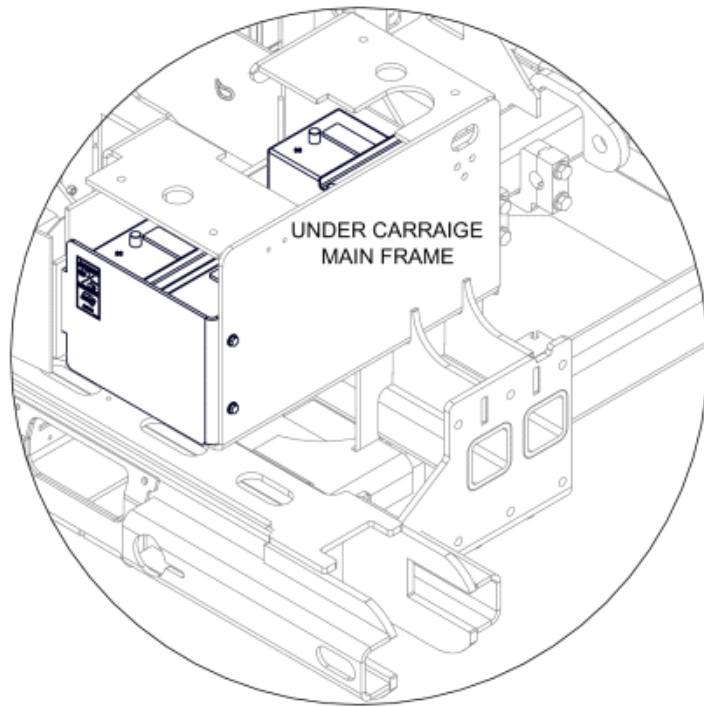


Illustration No. 296426581 - Not For Ordering

Batteries

Fig 02-07

REF NO.	PART NO.	DESCRIPTION	QTY.	REMARKS
1	235713001	WASHER - FLATSTRL - .38 - .41 X .81 - .06-YA-A325	4	
2	278275001	BOLT-3/8-16X9 GR 8 ZINC PLTD	4	
3	296300773	SCREW-HFS-.38-16X1.25-GR8-YZ	2	
4	296422967	WELDMENT - BATTERY DOOR	1	
5	296432155	PLATE - HOLD DOWN	2	
6	70000044	DECAL - WARNING	1	Domestic
6	70001044	DECAL - WARNING	1	International
7		BATT. GROUP 31 950CCA	2	Not Sold Separately

Provided for Free by Trenchwell.com
Shop Aftermarket Parts

Outrigger
Fig 02-08

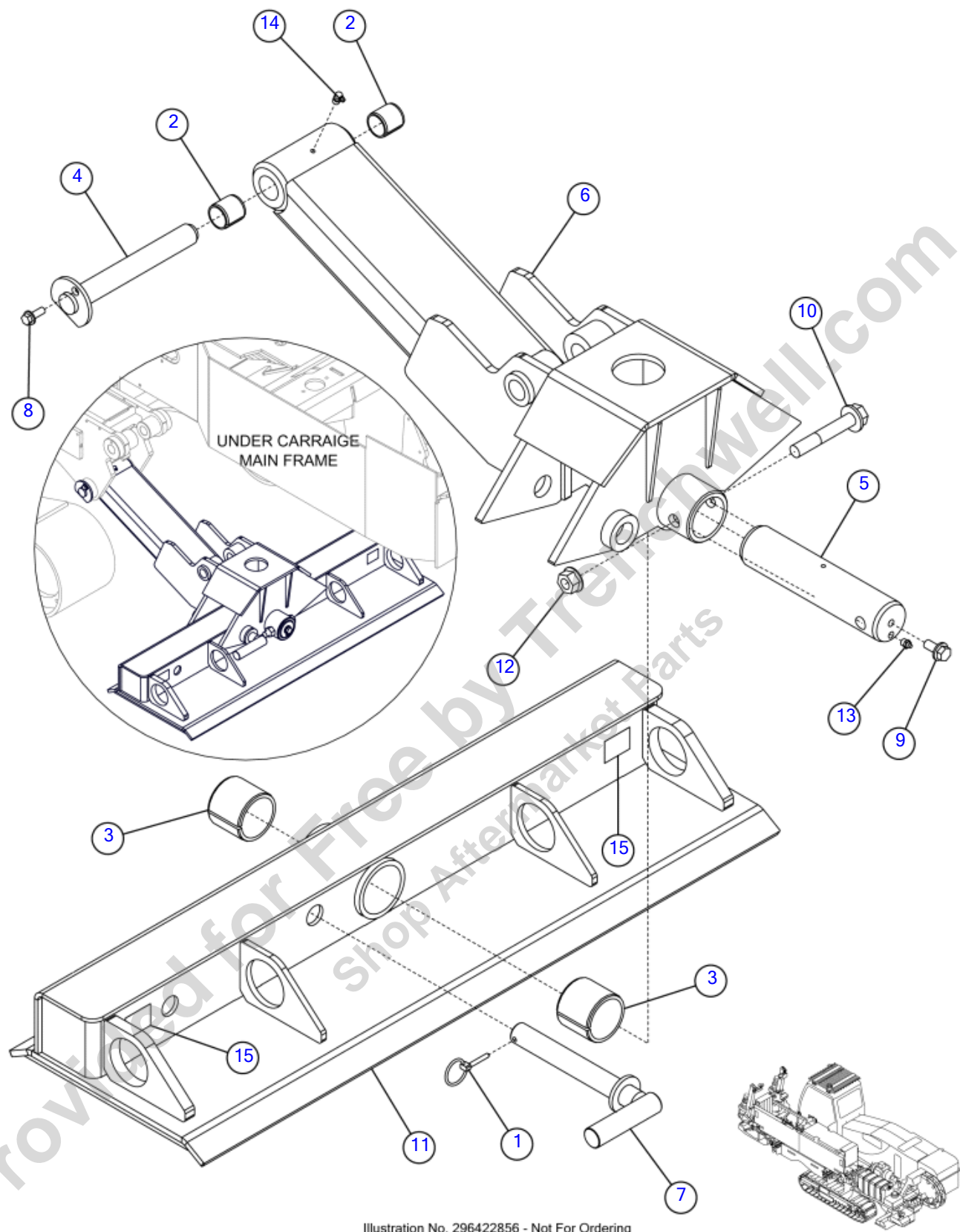


Illustration No. 296422856 - Not For Ordering

Outrigger
Fig 02-08

REF NO.	PART NO.	DESCRIPTION	QTY.	REMARKS
1	1797003	PIN-QUICK LATCH 1/4"-6M DIA ZYC	1	
2	1835027	BSHG.-STL.-1 1/2X1 1/4X1 1/2	2	
3	1835099	BSHG-STL.3 X 2 1/2-2 1/2	2	
4	230858001	PIN-OUTRIGGER	1	
5	235849001	PIN-PIVOT	1	
6	296275429	SUB - ARM OUTRIGGER	1	
7	296275446	ASSEMBLY - OUTRIGGER PIN	1	
8	296300772	SCREW HFS .38-16X1.00 GR8 YZ	1	
9	296300788	SCREW HFS .50 13 X 1.00 GR8 YZ	1	
10	296300824	SCREW-HFS-.75-10X4.50-GR8-YZ	1	
11	296422852	PAD - OUTRIGGER	1	
12	510352511	NUT-SMFLGTL-.75-10-G-YZ	1	
13	586001	ZERK 1/8in ST NPT GREASE ZYC	1	
14	590001	ZERK 1/8 NPT 90 DEG GREASE	1	
15	70001834	DECAL - TIE DOWN POINT	2	

Provided for Free by Trenchwell.com
Shop Aftermarket Parts

Outrigger Cylinder

Fig 02-09

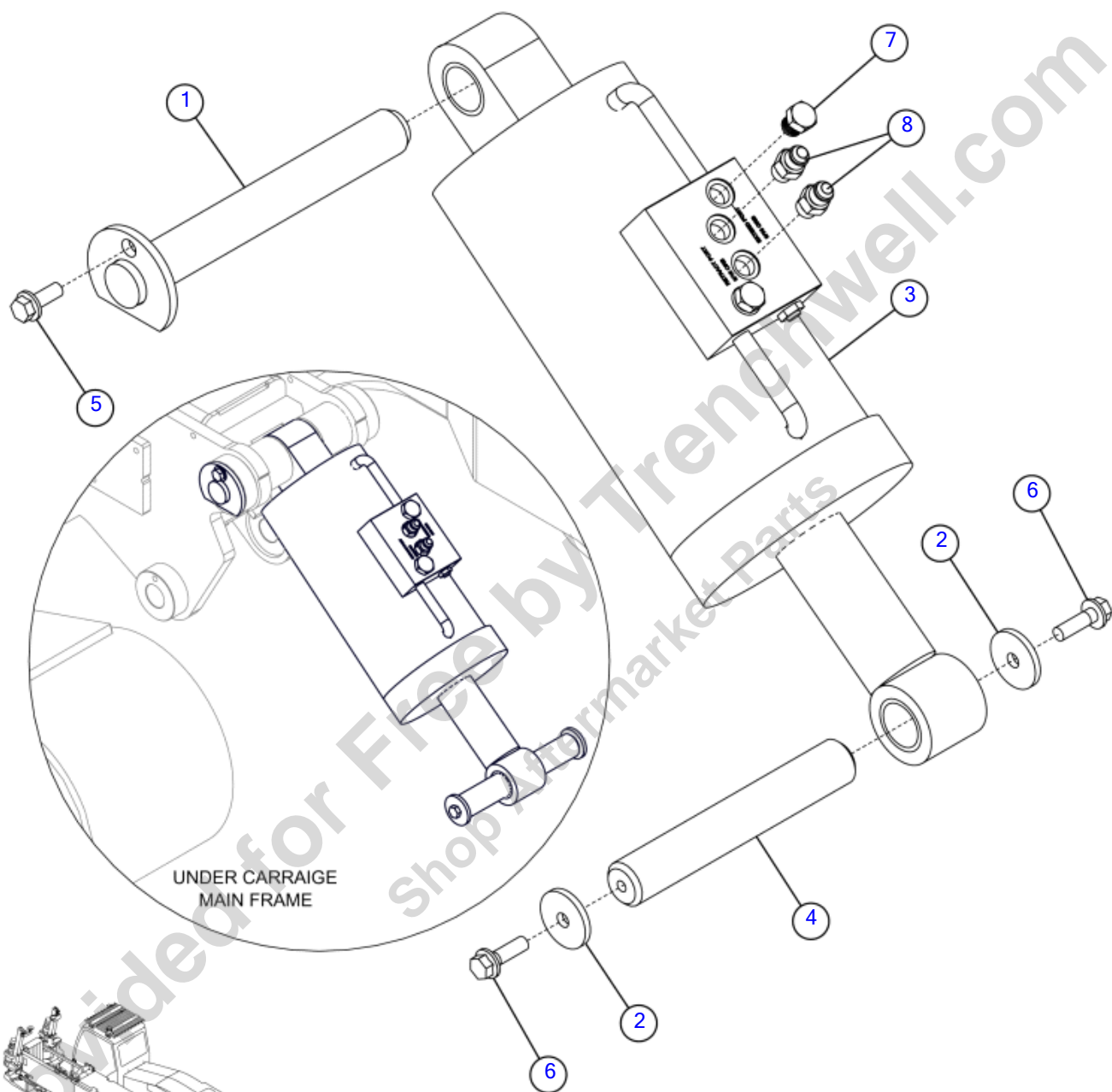


Illustration No. 296432154 - Not For Ordering

Outrigger Cylinder

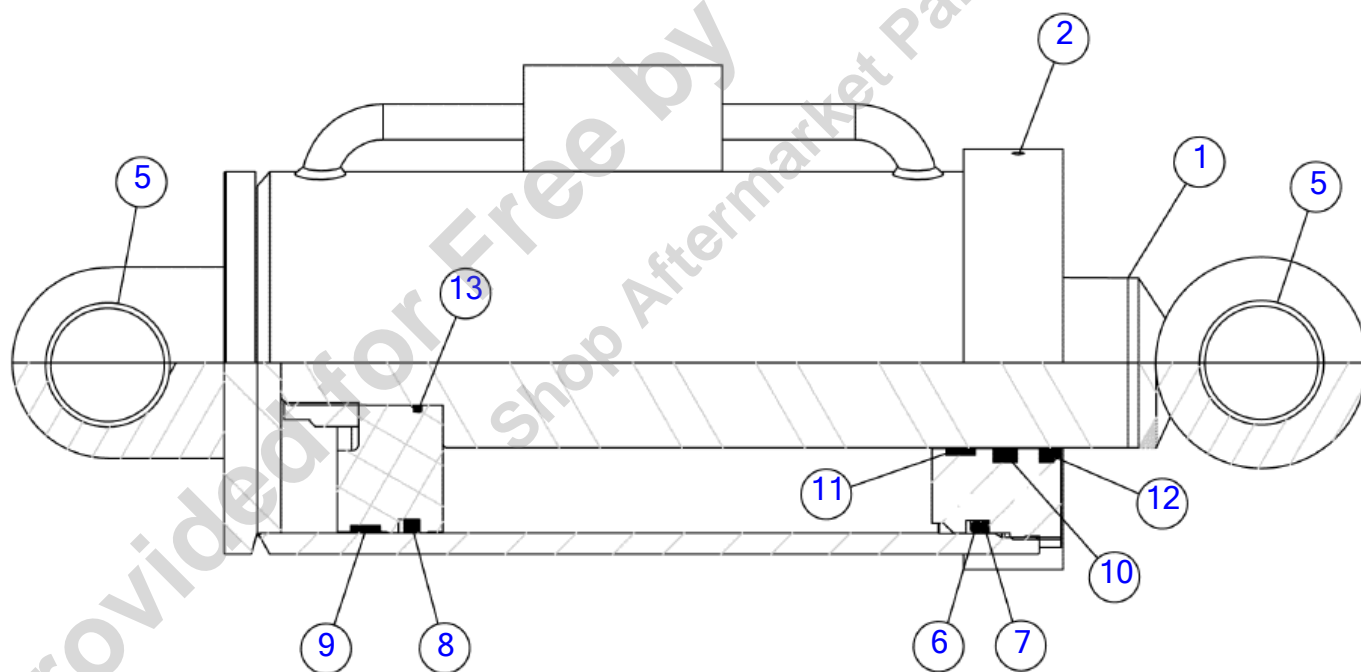
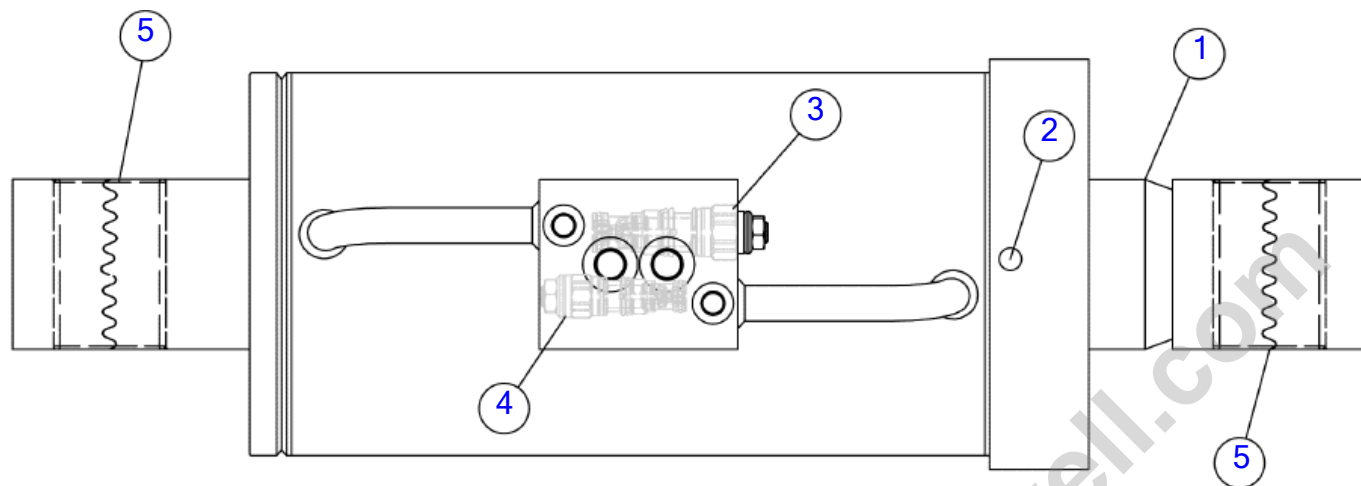
Fig 02-09

REF NO.	PART NO.	DESCRIPTION	QTY.	REMARKS
1	230858001	PIN-OUTRIGGER	1	
2	277206001	WASHER - FLAT	2	
3	296287956	CYLINDER-5-1/2 X 8 X 2	1	Breakdown Fig. 2-9T01
4	296292055	PIN - OUTRIGGER	1	
5	296300772	SCREW HFS .38-16X1.00 GR8 YZ	1	
6	296300773	SCREW-HFS-.38-16X1.25-GR8-YZ	2	
7	5553001	FITTING - PLUG - 6MORB - HEX	2	
8	600087001	FIT-6MO-RINGX6MJIC ST.W/R.062	2	

Provided for Free by Trenchwell.com
Shop Aftermarket Parts

Breakdown-Outrigger Cylinder

Fig 02-09T01



Breakdown-Outrigger Cylinder
Fig 02-09T01

REF NO.	PART NO.	DESCRIPTION	QTY.	REMARKS
1	296454085	2" SHAFT	1	
2	296271146	NYLOCK SET SCREW	1	
3	278769023	VALVE	1	
4	296271167	VALVE .	1	
5	296480322	GARMAX BEARING GM2024-032 OR EQ	2	
6		O-RING	1	Included in Seal Kit - Not Sold Separately
7		BACKUP	1	Included in Seal Kit - Not Sold Separately
8		PSP SEAL	1	Included in Seal Kit - Not Sold Separately
9		WEAR RING	1	Included in Seal Kit - Not Sold Separately
10		BS SEAL	1	Included in Seal Kit - Not Sold Separately
11		WEAR RING	1	Included in Seal Kit - Not Sold Separately
12		DUST SEAL	1	Included in Seal Kit - Not Sold Separately
13		O-RING	1	Included in Seal Kit - Not Sold Separately
	296454086	REPAIR KIT-5 1/2" BORE X 2" SHAFT	1	Includes Items 6 thru 13
	296287956	CYLINDER-5-1/2 X 8 X 2	1	Includes All Items Listed Above

Provided for Free by Trenchwell
Shop Aftermarket Parts

Valve - Outrigger/Rack Lift

Fig 02-10

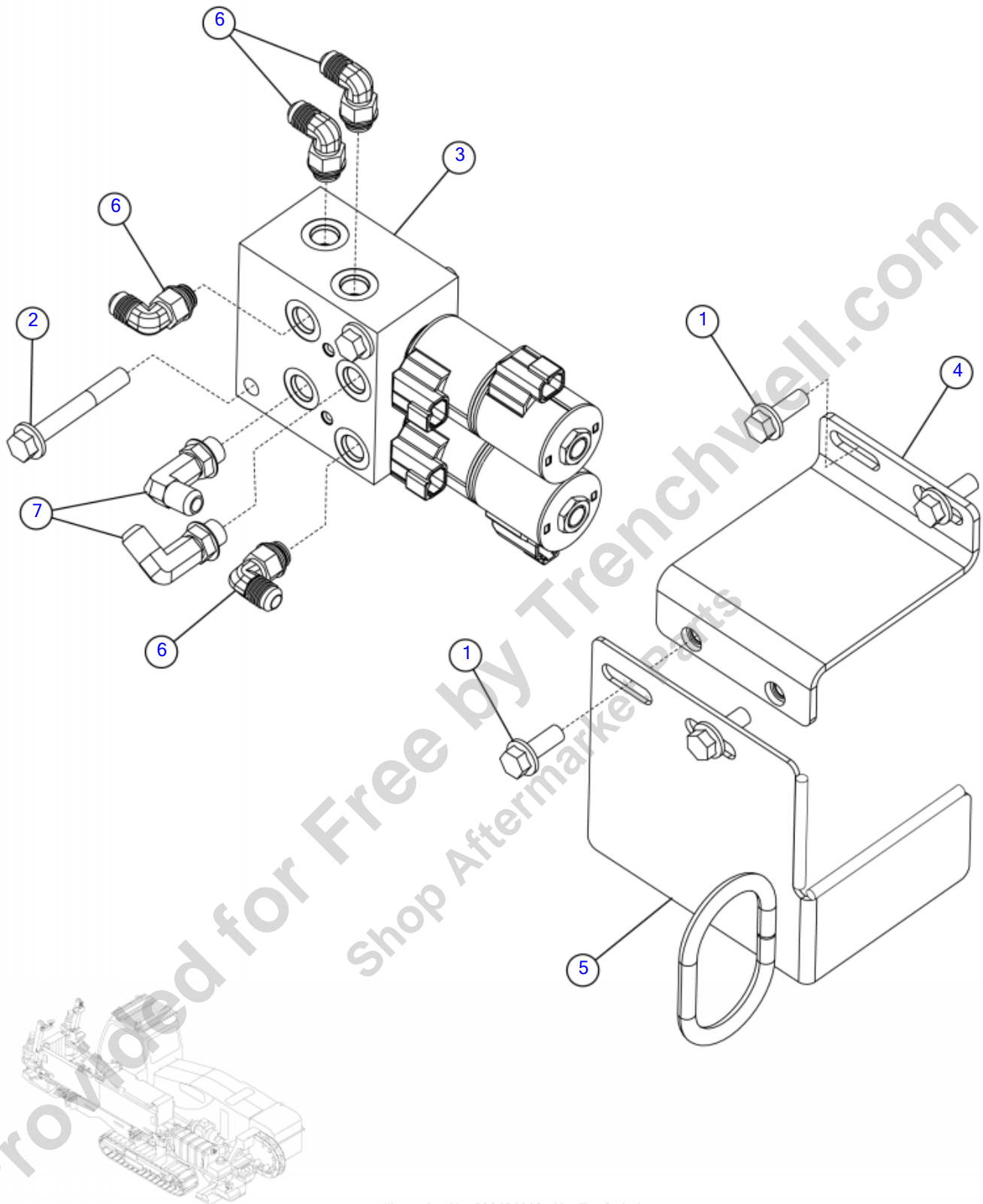


Illustration No. 296424618 - Not For Ordering

Valve - Outrigger/Rack Lift

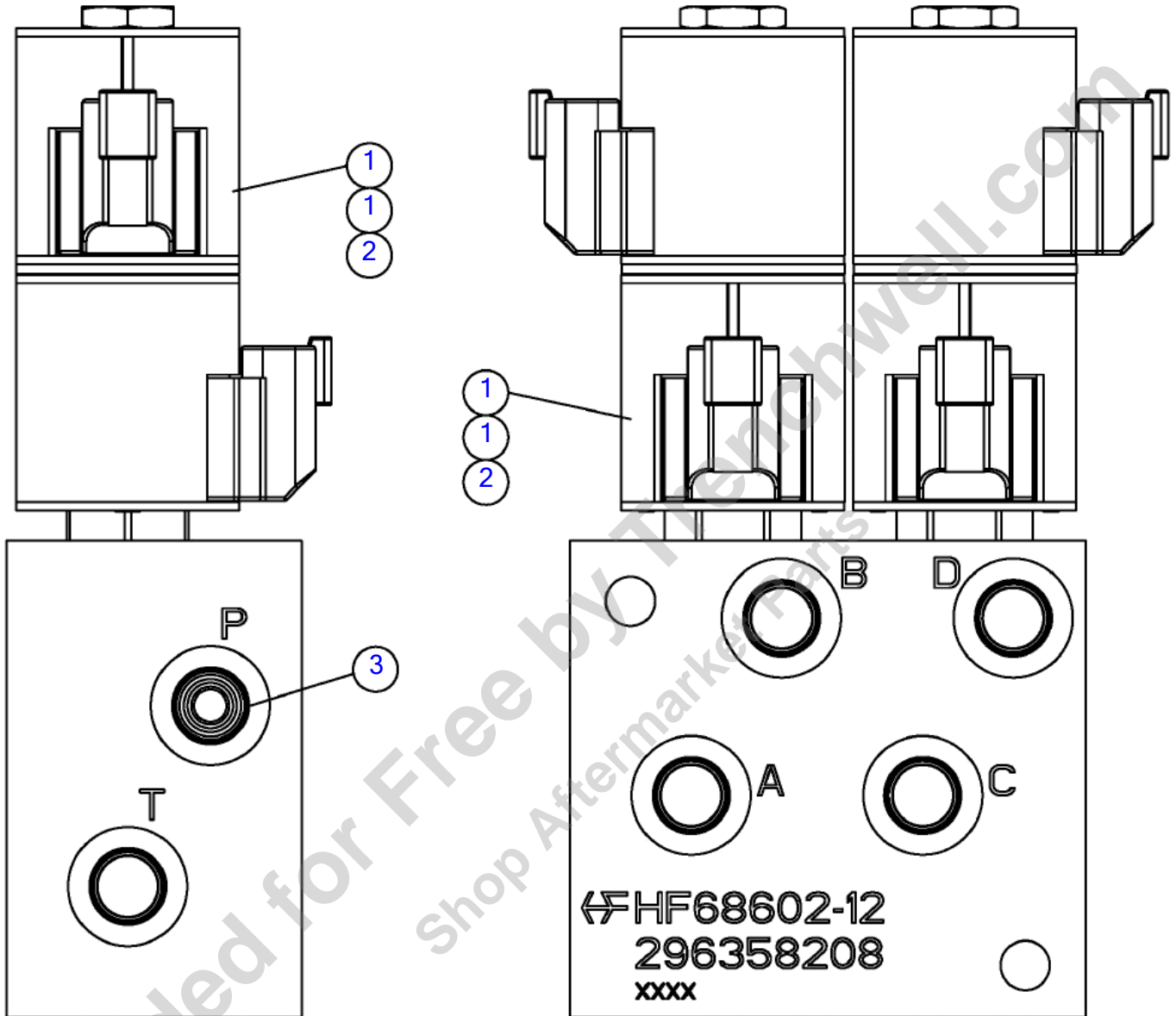
Fig 02-10

REF NO.	PART NO.	DESCRIPTION	QTY.	REMARKS
1	296300772	SCREW HFS .38-16X1.00 GR8	4	
2	296300779	SCREW HFS .38 16X2.75 GR8 YZ	2	
3	296358208	VALVE-RACK LIFT/OUTRIGGER	1	Breakdown Fig. 2-10T01
4	296424695	WELDMENT - VALVE COVER	1	
5	296525385	WELDMENT - VALVE COVER	1	
6	59426001	FITTING-90-6MJ-6MORB	4	
7	65570001	FITTING-6M X 6M JIC 90 DEGREE LONG	2	

Provided for Free by Trenchwell.com
Shop Aftermarket Parts

Breakdown-Outrigger/Rack Lift Valve

Fig 02-10T01



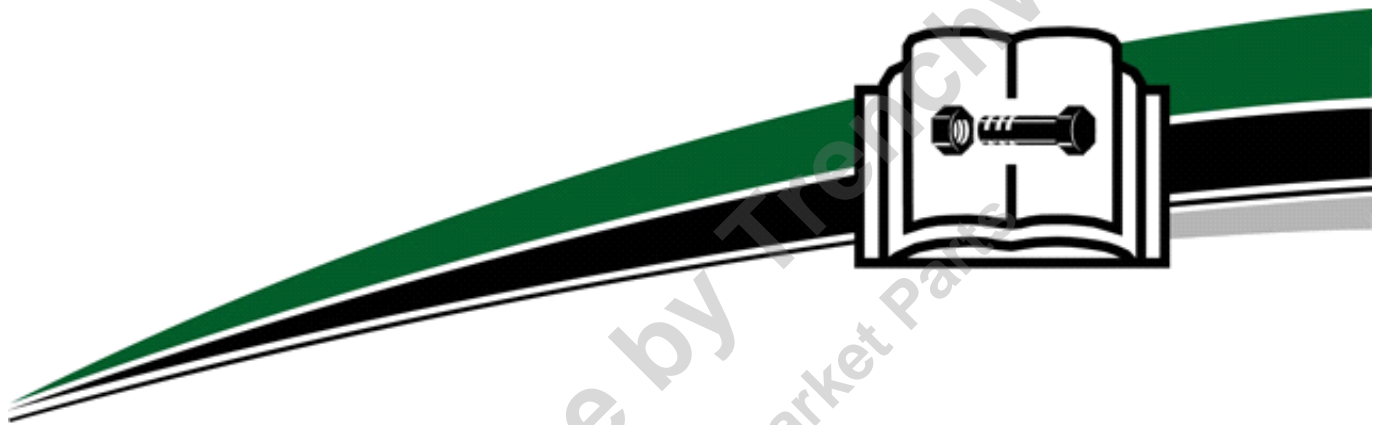
Breakdown-Outrigger/Rack Lift Valve

Fig 02-10T01

REF NO.	PART NO.	DESCRIPTION	QTY.	REMARKS
1	296271086	SOLENOID VALVE	2	
1	296265599	SEAL KIT	2	
2	296271077	COILS 2	4	
3	240326003	PLUG-ORIFICE	1	
	296358208	VALVE-RACK LIFT/OUTRIGGER	1	Includes All Items In Figure

Provided for Free by Trenchwell.com
Shop Aftermarket Parts

Engine - Tier 4F



Engine - Tier 4F

Engine Non-Cab	Fig	03-01
Breakdown-Engine-Tier 4F Non-Cab	Fig	03-01T01
Breakdown-Engine-Tier 4F Non-Cab Sensors	Fig	03-01T02
Engine Cab	Fig	03-02
Breakdown-Engine-Tier 4F Cab	Fig	03-02T01
Breakdown-Engine-Tier 4F Cab Sensors	Fig	03-02T02
Engine Stage V W/Trans (SN 1130-)	Fig	03-02X01
Breakdown-Engine Stage V (SN 1130-)	Fig	03-02X01T01
Breakdown-Engine Stage V (SN 1130-)	Fig	03-02X01T02
Breakdown-Engine Stage V (SN 1130-)	Fig	03-02X01T03
Breakdown-Engine Stage V (SN 1130-)	Fig	03-02X01T04
Engine Mount	Fig	03-03
Radiator Charge Air Tubes	Fig	03-04
Air Cleaner	Fig	03-05
Breakdown-Air Cleaner	Fig	03-05T01
Exhaust & Aftertreatment	Fig	03-06
Breakdown-Aftertreatment	Fig	03-06T01
Diesel Exhaust Fluid Lines (SN 101-468)	Fig	03-07
Breakdown-DEF Tank, Filters & Dosing Unit (SN 101-471)	Fig	03-07T01
Diesel Exhaust Fluid Lines (SN 469-)	Fig	03-07R01
Breakdown-DEF Tank, Filters & Dosing Unit (SN 472-)	Fig	03-07T01R01
Exhaust Tubes & Insulation	Fig	03-08
Fuel Tank	Fig	03-09
Breakdown-Anti-Freeze Tank	Fig	03-09T01
Engine Electrical Panel (SN 101-1063)	Fig	03-10
Engine Electrical Panel (SN 1064-)	Fig	03-10R01
Fuel Tank W/O Mud Pump	Fig	03-11
Breakdown-Anti-Freeze Tank	Fig	03-11T01
Electrical - Non Mud Pump	Fig	03-12
Engine-Tier 4F/Stage V WO/AC	Fig	03-13
Engine-Tier 4F/Stage V W/ AC	Fig	03-14

Provided for Free by Trenchwell.com
Shop Aftermarket Parts

Engine Non-Cab

Fig 03-01

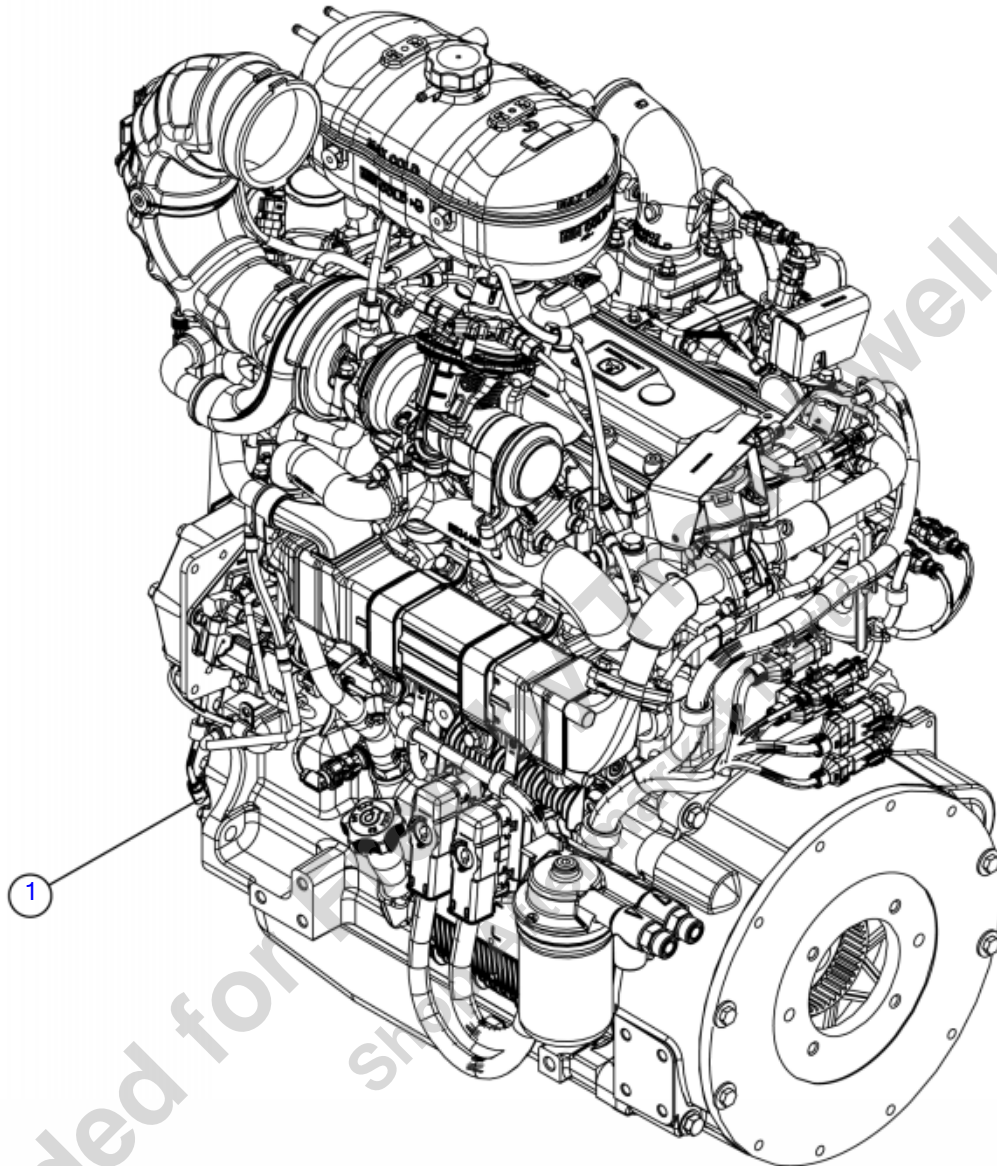


Illustration No-296426540--Not For Ordering

Engine Non-Cab

Fig 03-01

REF NO.	PART NO.	DESCRIPTION	QTY.	REMARKS
1	296426541	ENGINE-4045 125 BHP@2400 RPM TIER IV FINAL WO/AC	1	Breakdown Fig 3-1T01 & 3-1T02

Provided for Free by Trenchwell.com
Shop Aftermarket Parts

Breakdown-Engine-Tier 4F Non-Cab

Fig 03-01T01

* Under warranty, these individual parts and/or assemblies must be ordered through your local engine service center and replaced by a certified engine technician. Any work performed by a non-certified technician may void engine warranty.

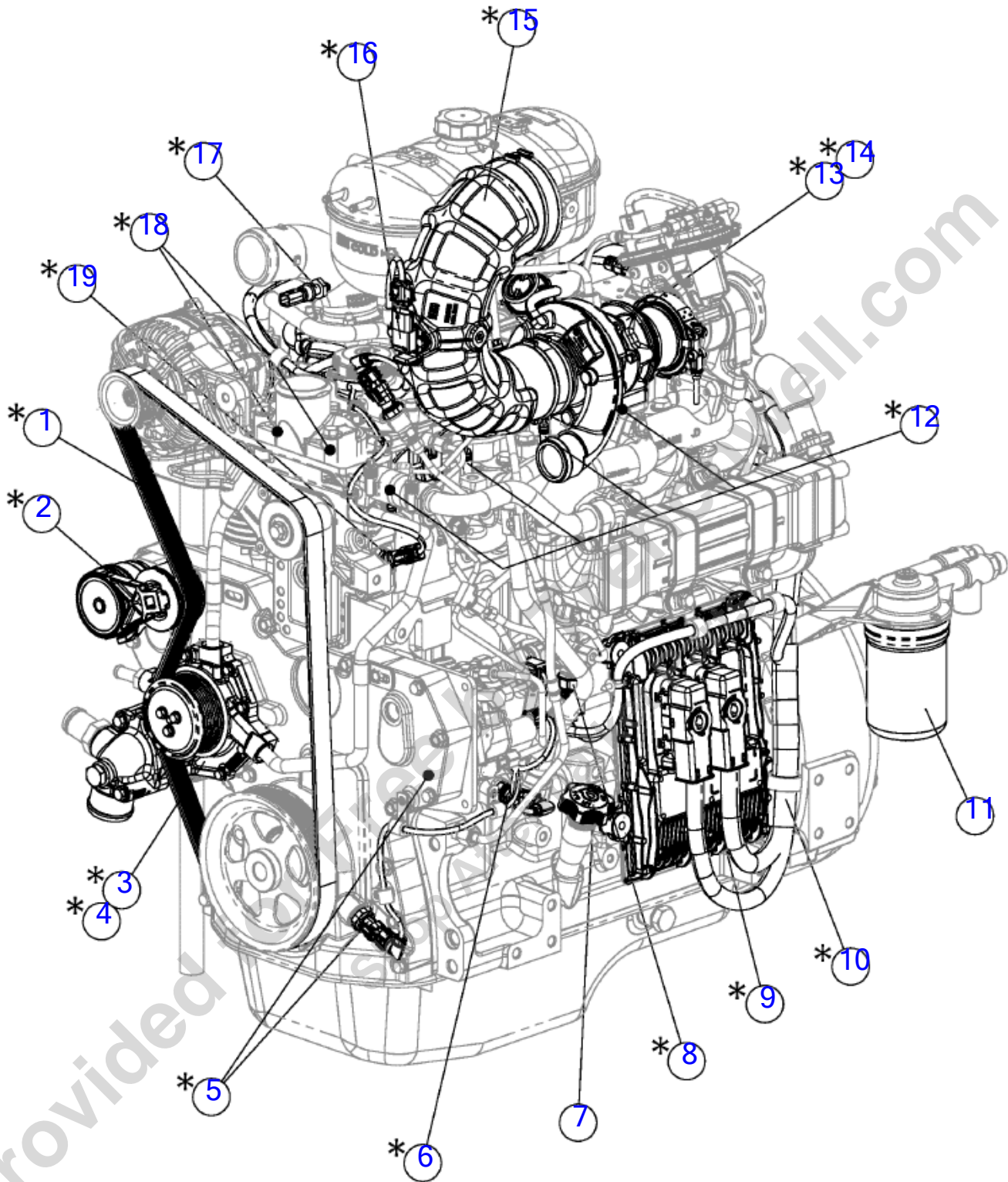


Illustration No. 296426541-Not For Ordering

Breakdown-Engine-Tier 4F Non-Cab

Fig 03-01T01

REF NO.	PART NO.	DESCRIPTION	QTY.	REMARKS
1	296454020	V-BELT, FAN BELT	1	Certified Technician Required.
2	296433727	BELT TENSIONER	1	Certified Technician Required.
3	296278203	WATER PUMP	1	Certified Technician Required.
4	131959051	GASKET-WATER PUMP	1	Certified Technician Required. Not Shown.
5	296433641	MAGNETIC PICK UP SENSOR	2	Certified Technician Required. 1 Not Shown.
6	296433736	ENGINE OIL PRESSURE SENSOR	1	Certified Technician Required.
7	296368767	OIL CAP/DIPSTICK	1	
8	296454017	PRESSURE SENSOR	1	Rail. Certified Technician Required.
9	163755005	ECU	1	Certified Technician Required.
10	296454148	ENGINE HARNESS	1	Certified Technician Required.
11	618429001	ELEMENT OIL FILTER 500 HRS	1	
12	163755003	GLOW PLUG	4	Certified Technician Required. 2 Not Shown.
13	296454036	TURBOCHARGER	1	Certified Technician Required.
14	296454037	GASKET	1	Turbocharger. Certified Technician Required. Not Shown.
15	296433718	AIR INTAKE HOSE	1	Certified Technician Required.
16	296391758	AIR FLOW SENSOR	1	Certified Technician Required.
17	296368798	AIR INTAKE TEMP SENSOR	1	Certified Technician Required.
18	180021129	THERMOSTAT	2	Includes Gasket. Certified Technician Required. Not Shown.
19	296368799	WATER TEMP. SENSOR	1	Certified Technician Required.
	296426541	ENGINE-4045 125 BHP@2400 RPM TIER IV FINAL WO/AC	1	Includes Refs. 1-19.

Breakdown-Engine-Tier 4F Non-Cab Sensors

Fig 03-01T02

* Under warranty, these individual parts and/or assemblies must be ordered through your local engine service center and replaced by a certified engine technician. Any work performed by a non-certified technician may void engine warranty.

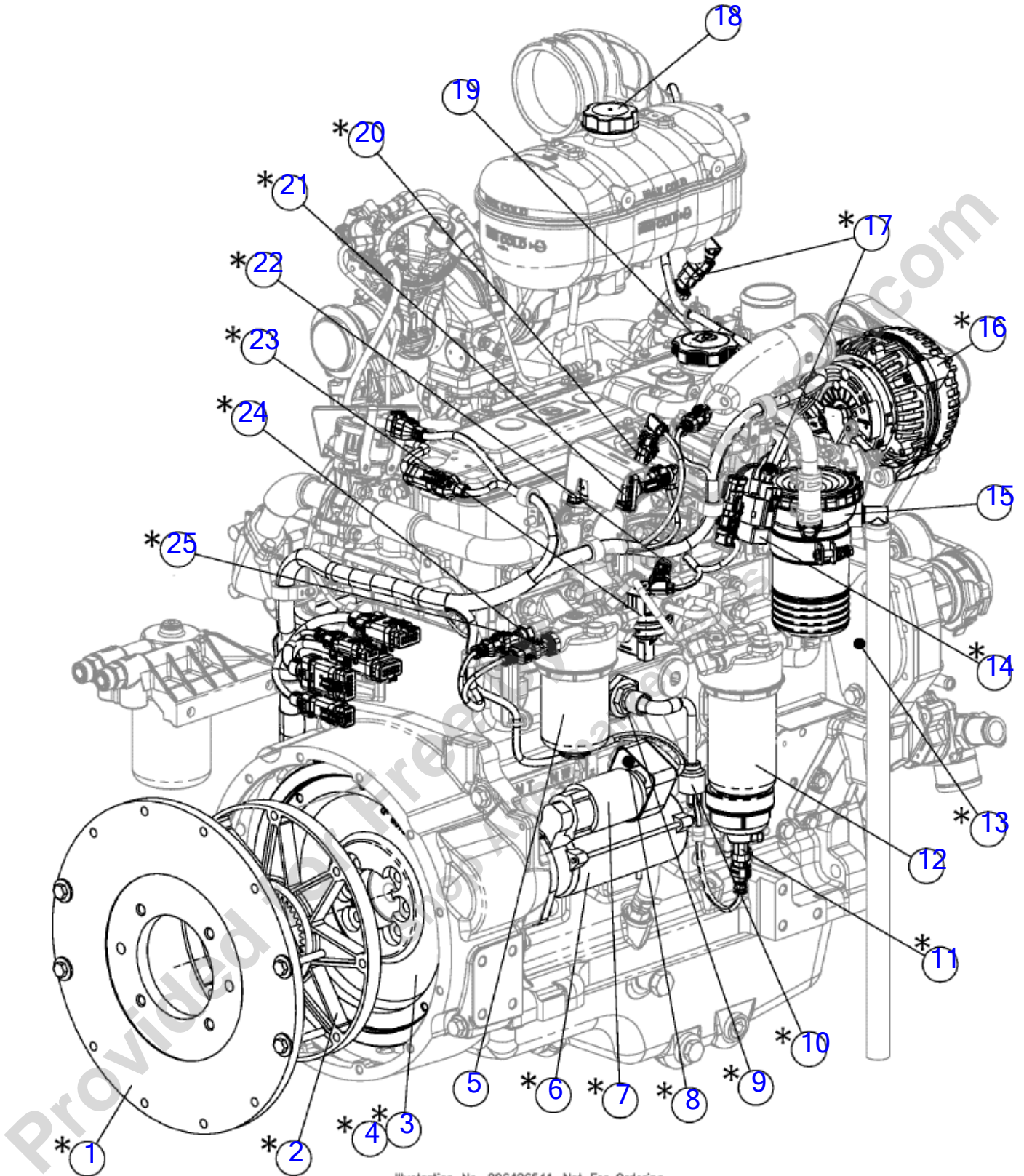


Illustration No. 296426541—Not For Ordering

Breakdown-Engine-Tier 4F Non-Cab Sensors

Fig 03-01T02

REF NO.	PART NO.	DESCRIPTION	QTY.	REMARKS
1	251684001	PLATE - PUMP MOUNT	1	Certified Technician Required.
2	220075001	FLANGE - 65 FLE-PA 10in FLYWHEEL	1	Certified Technician Required.
3	131959019	FLYWHEEL	1	Certified Technician Required.
4	131959021	GEAR-FLYWHEEL	1	Certified Technician Required. Not Shown.
5	296443865	FINAL FUEL FILTER ELEMENT	1	
6	296380038	STARTER	1	Certified Technician Required.
7	296454273	SOLENOID	1	Certified Technician Required.
8	296454107	PRESSURE SENSOR	1	Crankcase. Not Shown. Located Behind Starter. Certified Technician Required.
9	296278048	COOLANT HEATER	1	Certified Technician Required.
10	296254513	CORD - POWER	1	Certified Technician Required.
11	296454030	SENSOR	1	Water In Fuel. Certified Technician Required.
12	296443864	PRIMARY FUEL FILTER ELEMENT	1	
13	296474054	O-RING - AUXILIARY PUMP	1	Not Shown. Certified Technician Required.
14	296433735	RELAY	1	Certified Technician Required.
15	180022109	CRANKSHAFT VENT FILTER	1	
16	296474219	ALTERNATOR	1	Certified Technician Required.
17	296433632	MANIFOLD AIR PRESSURE SENSOR	2	Not Shown. Located Behind Crankcase Vent Filter. Certified Technician Required.
18	296368788	CAP-18 PSI	1	Coolant Surge Tank.
19	131959031	CAP-OIL FILLER	1	Valve Cover.
20	296433634	EGR TEMPERATURE SENSOR	1	Certified Technician Required.
21	296433639	EGR PRESSURE SENSOR	1	Certified Technician Required.
22	296368798	AIR INTAKE TEMP SENSOR	1	Certified Technician Required.
23	180011696	PUMP-FUEL TRANSFER	1	Certified Technician Required.
24	296433627	FUEL TEMPERATURE SENSOR	1	Certified Technician Required.
25	296380039	FUEL FILTER PRESURE SWITCH	1	Certified Technician Required.
	296426541	ENGINE-4045 125 BHP@2400 RPM TIER IV FINAL WO/AC	1	Includes Refs. 1-25.

Engine Cab
Fig 03-02

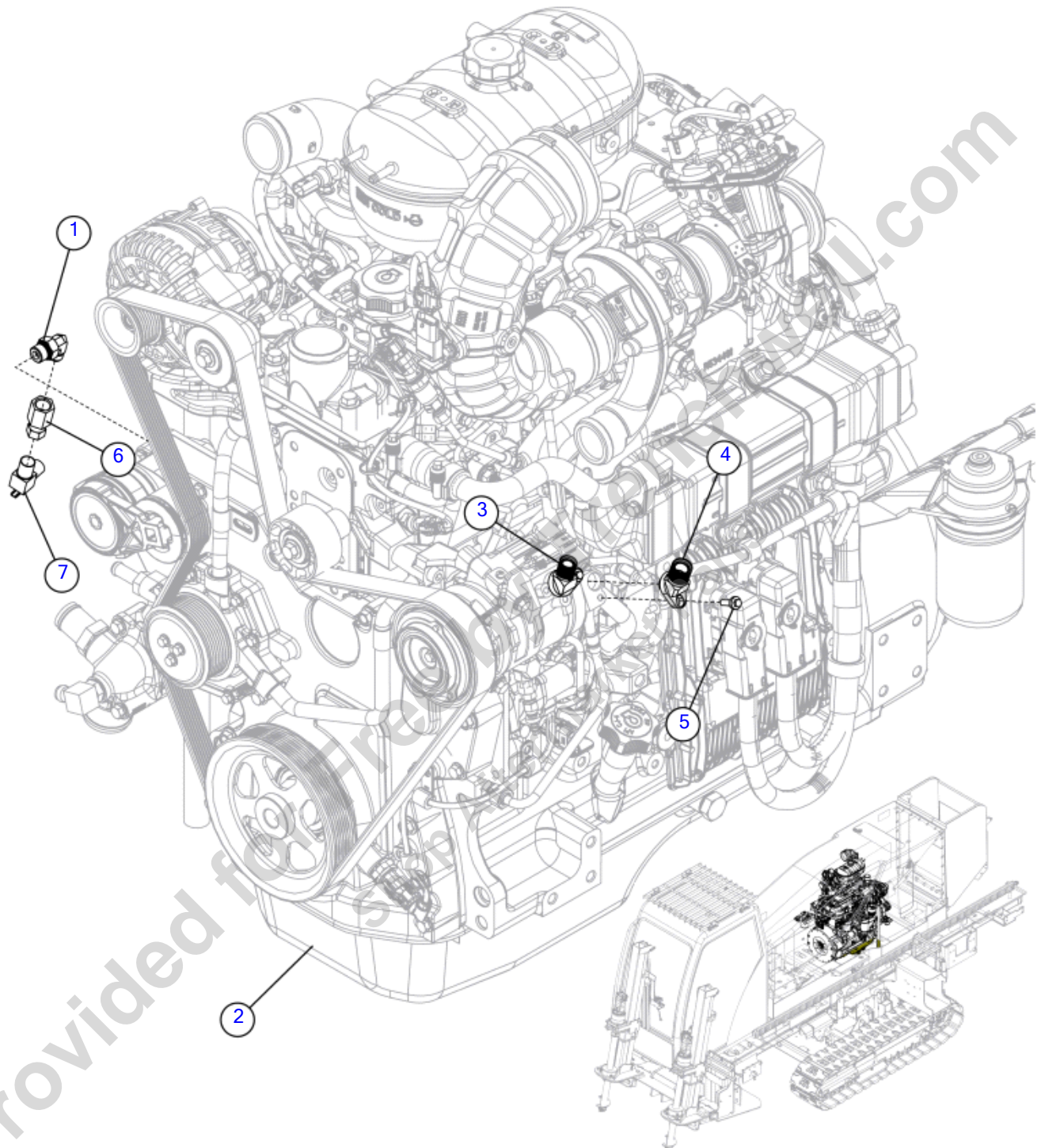


Illustration No-296426542--Not For Ordering

Engine Cab
Fig 03-02

REF NO.	PART NO.	DESCRIPTION	QTY.	REMARKS
1	269873001	FITTING - 90 - 6MJ X M 18 X 1.5MORBA	1	
2	296426543	ENGINE-4045 125 BHP @2400 RPM TIER IV FINAL W/AC	1	
3	296524281	FITTING-SIZE 8 A/C PAD MOUNT W/45	1	Comes W/Engine Service Part Only
4	296524282	FITTING-SIZE 10 A/C PAD MOUNT W/45	1	Comes W/Engine Service Part Only
5	507610020	SCREW,HFS,M6-1.00X20,10.9,D6921,FT	2	
6	61455001	FITTING-3/8FX6 JIC FS STR	1	
7	82633001	FITTING-HEATER SHUT-OFF	1	

Provided for Free by Trenchwell.com
Shop Aftermarket Parts

Breakdown-Engine-Tier 4F Cab

Fig 03-02T01

* Under warranty, these individual parts and/or assemblies must be ordered through your local engine service center and replaced by a certified engine technician. Any work performed by a non-certified technician may void engine warranty.

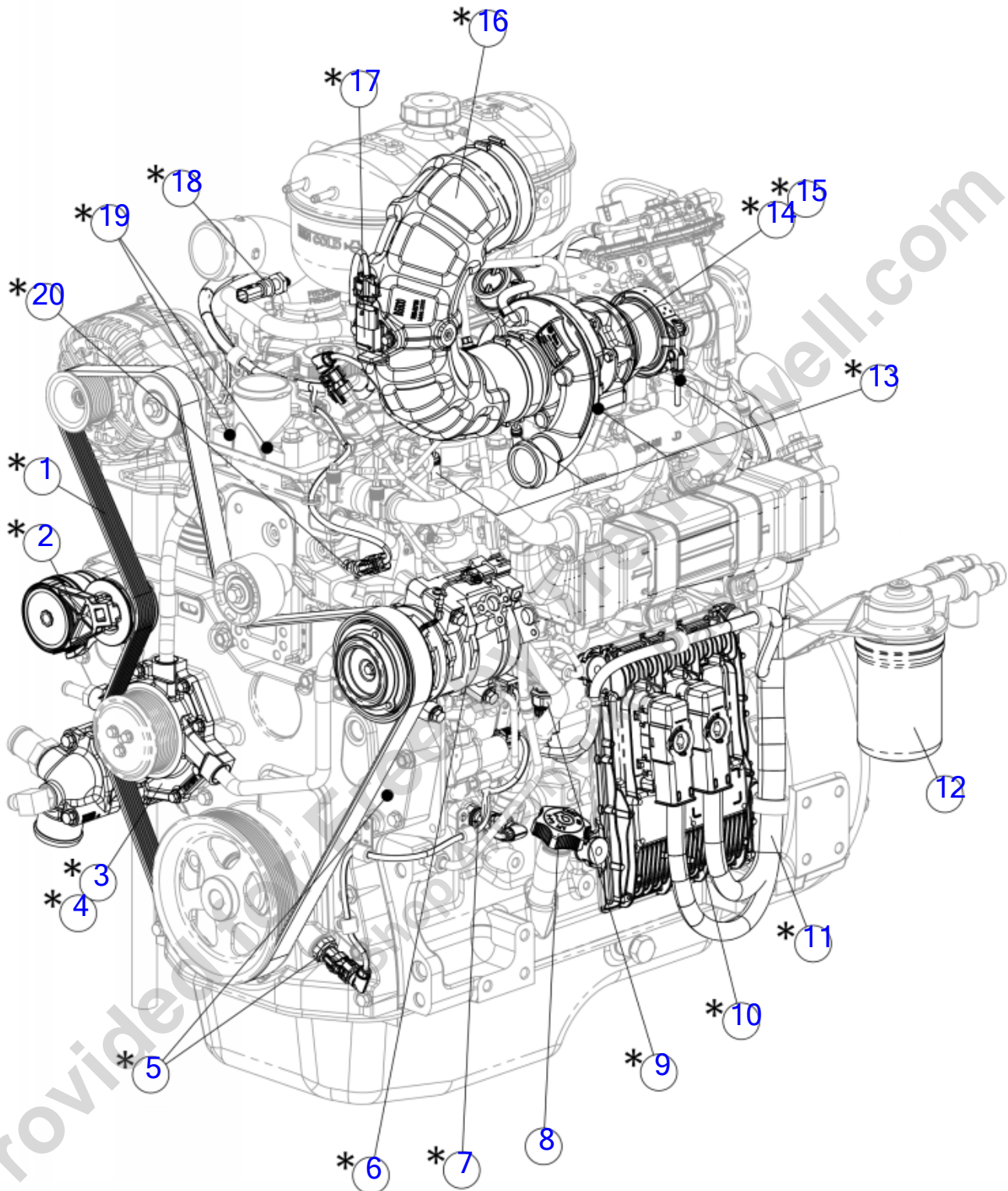


Illustration No. 296426543-Not For Ordering

Breakdown-Engine-Tier 4F Cab

Fig 03-02T01

REF NO.	PART NO.	DESCRIPTION	QTY.	REMARKS
1	296454014	V-BELT, FAN BELT,2090MM	1	Certified Technician Required.
2	296433727	BELT TENSIONER	1	Certified Technician Required.
3	296278203	WATER PUMP	1	Certified Technician Required.
4	131959051	GASKET-WATER PUMP	1	Not Shown. Certified Technician Required.
5	296433641	MAGNETIC PICK UP SENSOR	2	1 Not Shown. Certified Technician Required.
6	296380088	AC COMPRESSOR	1	Certified Technician Required.
7	296433736	ENGINE OIL PRESSURE SENSOR	1	Certified Technician Required.
8	296368767	OIL CAP/DIPSTICK	1	
9	296454017	PRESSURE SENSOR	1	Rail. Certified Technician Required.
10	163755005	ECU	1	Certified Technician Required.
11	296454148	ENGINE HARNESS	1	Certified Technician Required.
12	618429001	ELEMENT OIL FILTER 500 HRS	1	
13	163755003	GLOW PLUG	4	Certified Technician Required. 2 Not Shown.
14	296454036	TURBOCHARGER	1	Certified Technician Required.
15	296454037	GASKET	1	Turbocharger. Certified Technician Required. Not Shown.
16	296433718	AIR INTAKE HOSE	1	Certified Technician Required.
17	296391758	AIR FLOW SENSOR	1	Certified Technician Required.
18	296368798	AIR INTAKE TEMP SENSOR	1	Certified Technician Required.
19	180021129	THERMOSTAT	2	Includes Gasket. Certified Technician Required. Not Shown.
20	296368799	WATER TEMP. SENSOR	1	Certified Technician Required.
	296426543	ENGINE-4045 125 BHP @2400 RPM TIER IV FINAL W/AC	A/R	Includes Refs. 1-22.

Breakdown-Engine-Tier 4F Cab Sensors

Fig 03-02T02

* Under warranty, these individual parts and/or assemblies must be ordered through your local engine service center and replaced by a certified engine technician. Any work performed by a non-certified technician may void engine warranty.

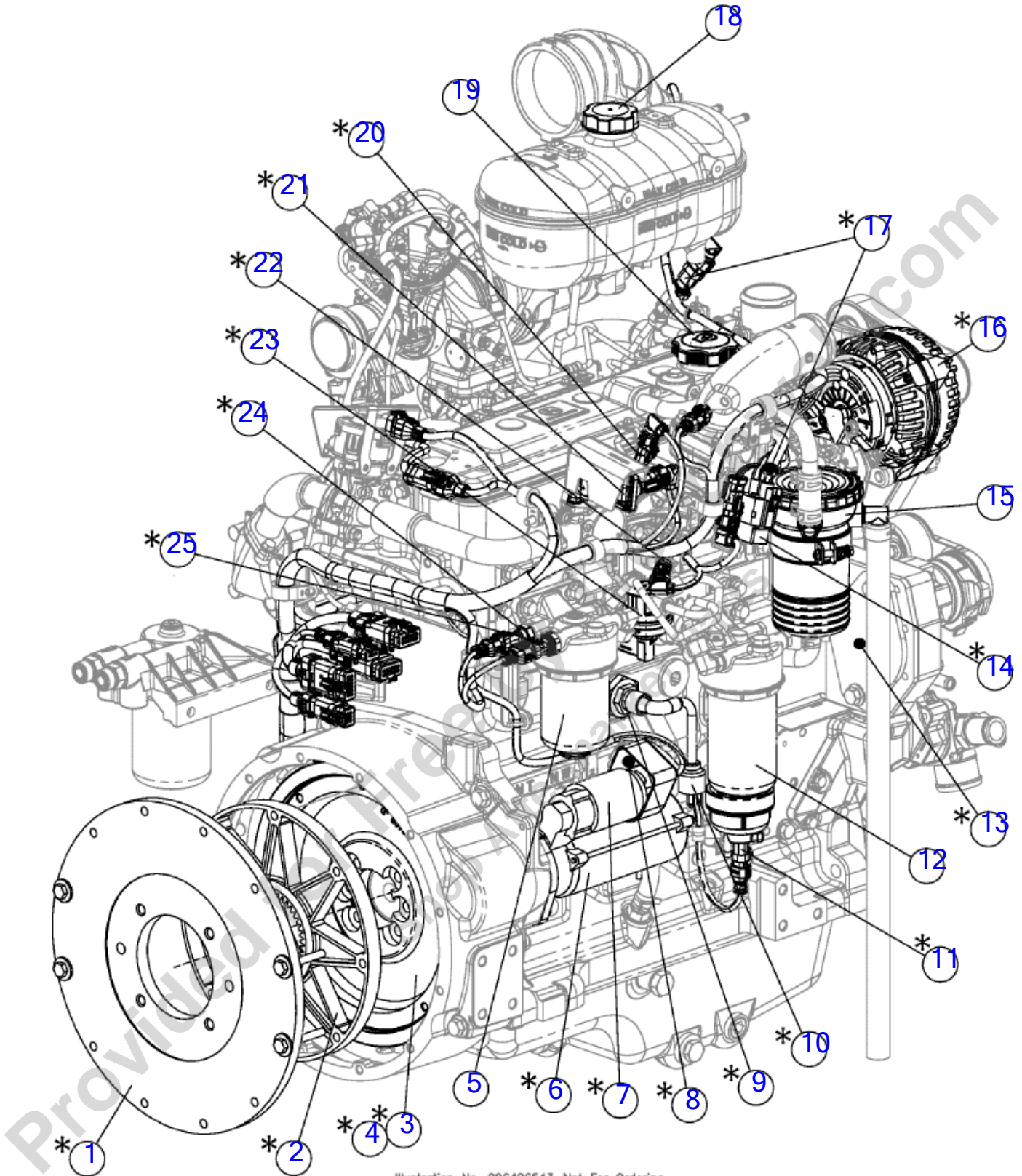


Illustration No. 296426543—Not For Ordering

Breakdown-Engine-Tier 4F Cab Sensors

Fig 03-02T02

REF NO.	PART NO.	DESCRIPTION	QTY.	REMARKS
1	251684001	PLATE - PUMP MOUNT	1	Certified Technician Required.
2	220075001	FLANGE - 65 FLE-PA 10in FLYWHEEL	1	Certified Technician Required.
3	131959019	FLYWHEEL	1	Certified Technician Required.
4	131959021	GEAR-FLYWHEEL	1	Certified Technician Required. Not Shown.
5	296443865	FINAL FUEL FILTER ELEMENT	1	
6	296380038	STARTER	1	Certified Technician Required.
7	296454273	SOLENOID	1	Certified Technician Required.
8	296454107	PRESSURE SENSOR	1	Crankcase. Not Shown. Located Behind Starter. Certified Technician Required.
9	296278048	COOLANT HEATER	1	Certified Technician Required.
10	296254513	CORD - POWER	1	Certified Technician Required.
11	296454030	SENSOR	1	Water In Fuel. Certified Technician Required.
12	296443864	PRIMARY FUEL FILTER ELEMENT	1	
13	296474054	O-RING - AUXILIARY PUMP	1	Not Shown. Certified Technician Required.
14	296433735	RELAY	1	Certified Technician Required.
15	180022109	CRANKSHAFT VENT FILTER	1	
16	296474219	ALTERNATOR	1	Certified Technician Required.
17	296433632	MANIFOLD AIR PRESSURE SENSOR	2	1 Not Shown. Certified Technician Required.
18	296368788	CAP-18 PSI	1	Coolant Surge Tank.
19	131959031	CAP-OIL FILLER	1	Valve Cover.
20	296433634	EGR TEMPERATURE SENSOR	1	Certified Technician Required.
21	296433639	EGR PRESSURE SENSOR	1	Certified Technician Required.
22	296368798	AIR INTAKE TEMP SENSOR	1	Certified Technician Required.
23	180011696	PUMP-FUEL TRANSFER	1	Certified Technician Required.
24	296433627	FUEL TEMPERATURE SENSOR	1	Certified Technician Required.
25	296380039	FUEL FILTER PRESURE SWITCH	1	Certified Technician Required.
	296426543	ENGINE-4045 125 BHP @2400 RPM TIER IV FINAL W/AC	1	Includes Refs. 1-25.

Engine Stage V W/Trans (SN 1130-)

Fig 03-02X01

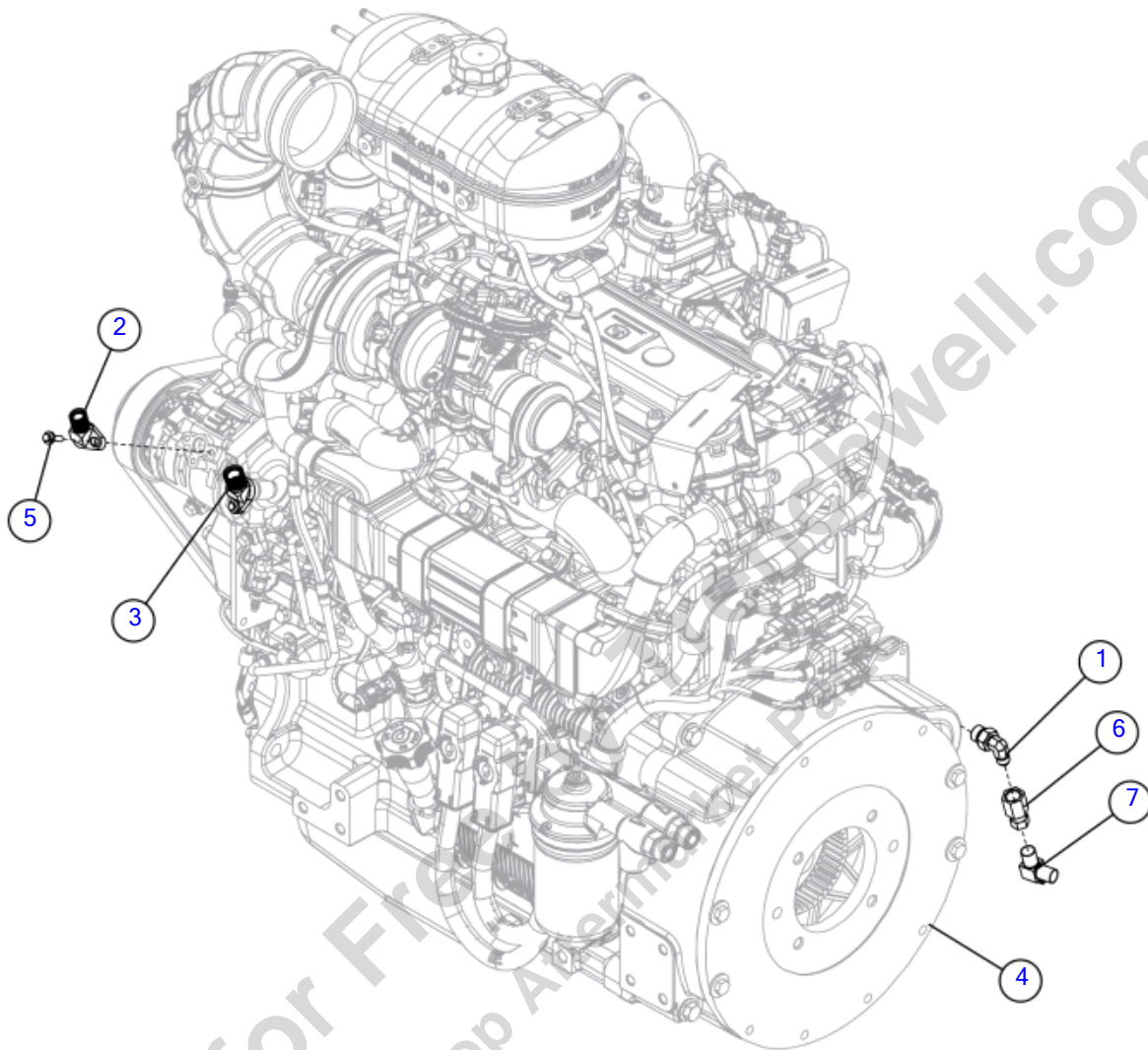


Illustration No-296536624 - Not For Ordering

Engine Stage V W/Trans (SN 1130-)

Fig 03-02X01

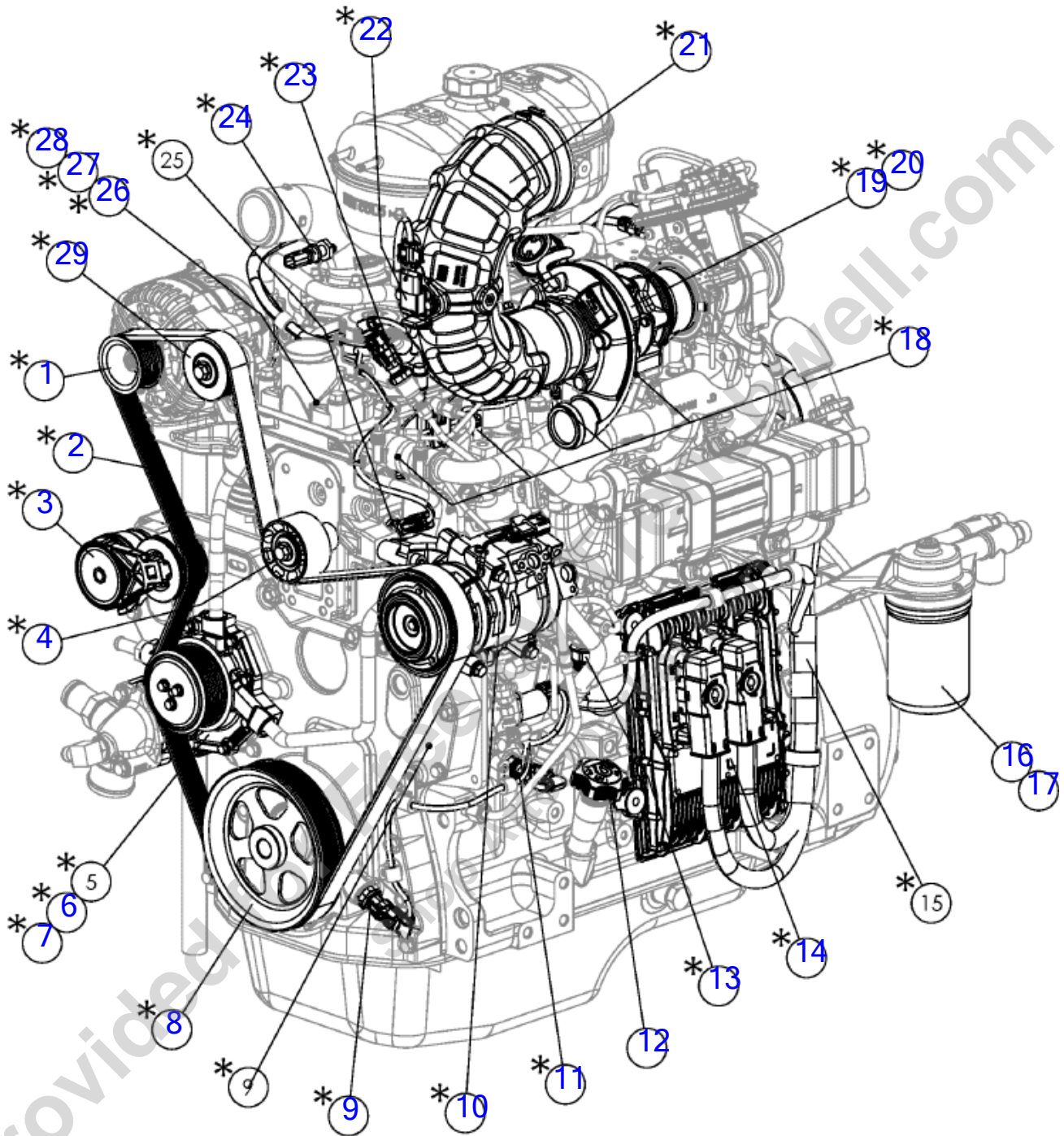
REF NO.	PART NO.	DESCRIPTION	QTY.	REMARKS
1	269873001	FITTING - 90 - 6MJ X M 18 X 1.5MORBA	1	
2	296524281	FITTING-SIZE 8 A/C PAD MOUNT W/45	1	Comes W/Engine Service Part Only
3	296524282	FITTING-SIZE 10 A/C PAD MOUNT W/45	1	Comes W/Engine Service Part Only
4	296536625	ENGINE-DEERE 4045 125HP/93KW T4F/STG IV (TRANS)	1	
5	507610020	SCREW,HFS,M6-1.00X20,10.9,D6921,FT	2	
6	61455001	FITTING-3/8FX6 JIC FS STR	1	
7	82633001	FITTING-HEATER SHUT-OFF	1	

Provided for Free by Trenchwell.com
Shop Aftermarket Parts

Breakdown-Engine Stage V (SN 1130-)

Fig 03-02X01T01

*Under warranty, this part must be ordered through your local engine service center and replaced by a certified engine technician. Any work performed by a non-certified technician may void engine warranty.



Breakdown-Engine Stage V (SN 1130-)

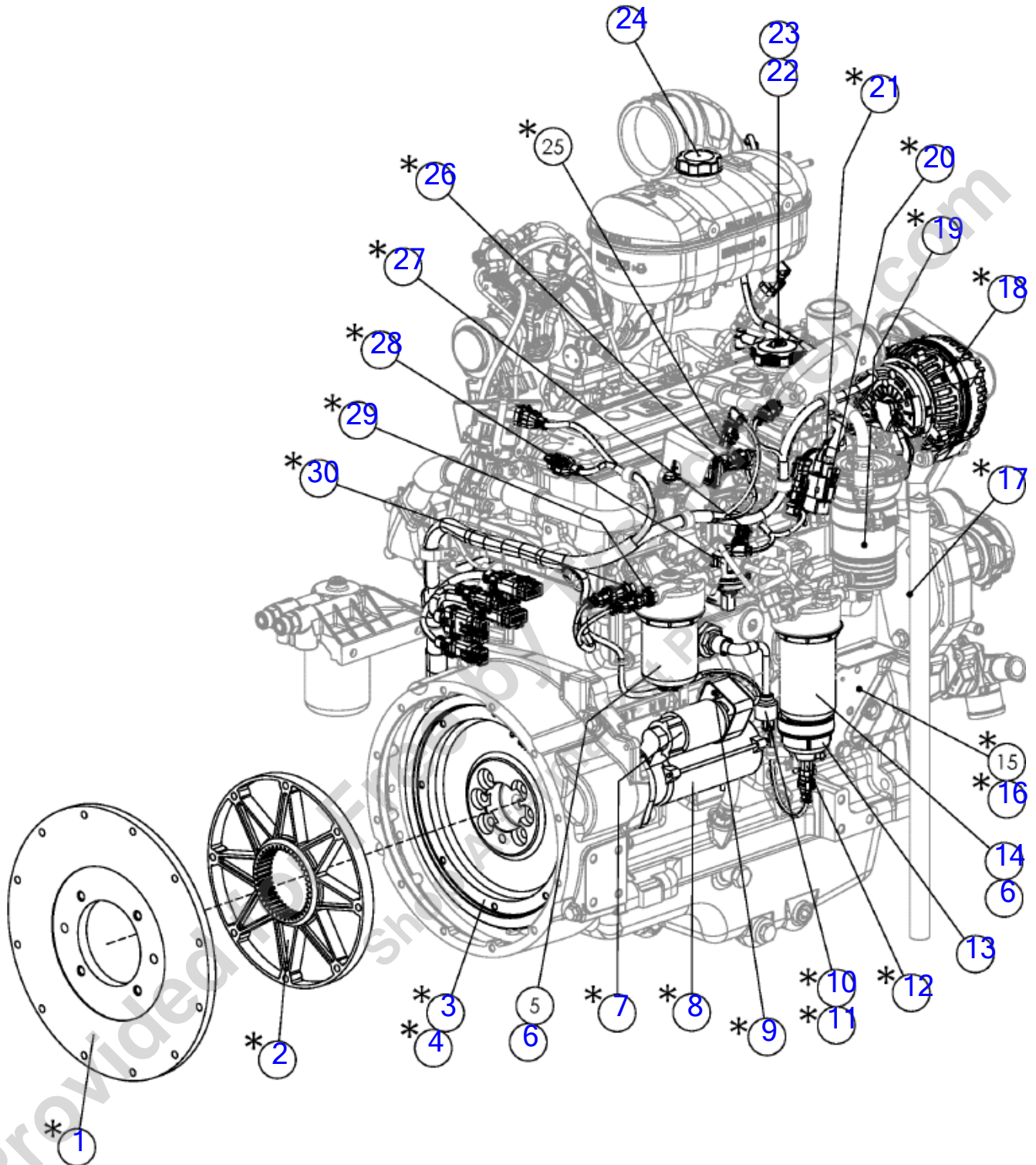
Fig 03-02X01T01

REF NO.	PART NO.	DESCRIPTION	QTY.	REMARKS
1	635550206	PULLEY-ALTERNATOR	1	Certified Technician Required.
2	296454014	V-BELT, FAN BELT,2090MM	1	Certified Technician Required.
3	296433727	BELT TENSIONER	1	Certified Technician Required.
4	296251849	PULLEY	1	Certified Technician Required.
5	296278203	WATER PUMP	1	Certified Technician Required.
6	131959051	GASKET-WATER PUMP	1	Not Shown. Certified Technician Required.
7	180005680	PULLEY-WATER PUMP	1	Certified Technician Required.
8	180006307	PULLEY-CRANKSHAFT	1	Rail. Certified Technician Required.
9	296433641	MAGNETIC PICK UP SENSOR	2	Certified Technician Required.
10	296380088	AC COMPRESSOR	1	Certified Technician Required.
11	296433736	ENGINE OIL PRESSURE SENSOR	1	Certified Technician Required.
12	296368767	OIL CAP/DIPSTICK	1	
13	296454017	PRESSURE SENSOR	1	Rail. Certified Technician Required.
14	163755005	ECU	1	Certified Technician Required.
15	296454148	ENGINE HARNESS	1	Certified Technician Required.
15	(163795011)	HARNESS, MAIN	1	Certified Technician Required.
16	618429001	ELEMENT OIL FILTER 500 HRS	1	
16	(701038033)	FILTER,ENGINE,OIL,JD	1	
17	296338842	OIL FILTER GASKET	1	Not Shown.
18	163755003	GLOW PLUG	4	2 Not Shown. Certified Technician Required.
19	296477085	TURBOCHARGER	1	Certified Technician Required.
20	296454037	GASKET	1	Not Shown. Certified Technician Required.
21	296433718	AIR INTAKE HOSE	1	Certified Technician Required.
22	296477086	SENSOR, HUMIDITY / TEMPERATURE / PRESSURE	1	Certified Technician Required.
23	296433632	MANIFOLD AIR PRESSURE SENSOR	1	Certified Technician Required.
24	296368798	AIR INTAKE TEMP SENSOR	1	Certified Technician Required.
25	296368799	WATER TEMP. SENSOR	1	Certified Technician Required.
26	180021129	THERMOSTAT	2	Not Shown. Certified Technician Required.
27	296338840	GASKET-THERMOSTAT	1	Not Shown. Certified Technician Required. Included In Ref. 26.
28	296474218	GASKET, THERMOSTAT	1	Not Shown. Certified Technician Required.
29	296433716	PULLEY	1	Certified Technician Required.
	296536625	ENGINE-DEERE 4045 125HP/93KW T4F/STG IV (TRANS)	1	Includes Refs. 1-29.

Breakdown-Engine Stage V (SN 1130-)

Fig 03-02X01T02

* Under warranty, this part must be ordered through your local engine service center and replaced by a certified engine technician. Any work performed by a non-certified technician may void engine warranty.



Breakdown-Engine Stage V (SN 1130-)

Fig 03-02X01T02

REF NO.	PART NO.	DESCRIPTION	QTY.	REMARKS
1	251684001	PLATE - PUMP MOUNT	1	Certified Technician Required.
2	220075001	FLANGE - 65 FLE-PA 10in FLYWHEEL	1	Certified Technician Required.
3	131959019	FLYWHEEL	1	Certified Technician Required.
4	131959021	GEAR-FLYWHEEL	1	Not Shown. Certified Technician Required.
5	296443865	FINAL FUEL FILTER ELEMENT	1	
6	296443866	O-RING SEAL KIT	2	Not Shown.
7	296454273	SOLENOID	1	Certified Technician Required.
8	296477075	STARTER	1	Certified Technician Required.
9	296433637	CRANKCASE PRESSURE SENSOR	1	Crankcase. Not Shown. Certified Technician Required.
9	(296454107)	PRESSURE SENSOR	1	Crankcase. Not Shown. Certified Technician Required.
10	296278048	COOLANT HEATER	1	Certified Technician Required.
11	296254513	CORD - POWER	1	Certified Technician Required.
12	296454030	SENSOR	1	Water In Fuel. Certified Technician Required.
13	296454029	SEDIMENT BOWL	1	
14	296443864	PRIMARY FUEL FILTER ELEMENT	1	
15	163795010	OIL COOLER	1	Certified Technician Required.
16	296525819	GASKET, OIL COOLER	1	Not Shown. Certified Technician Required.
17	296474054	O-RING - AUXILIARY PUMP	1	Not Shown. Certified Technician Required.
18	296474219	ALTERNATOR	1	Certified Technician Required.
19	180022109	CRANKSHAFT VENT FILTER	1	Not Shown. Certified Technician Required.
20	296433735	RELAY	1	Certified Technician Required.
21	296433632	MANIFOLD AIR PRESSURE SENSOR	1	Certified Technician Required.
22	131959031	CAP-OIL FILLER	1	
23	701039479	SEAL	1	Not Shown.
24	296368788	CAP-18 PSI	1	Surge Tank.
25	296433634	EGR TEMPERATURE SENSOR	1	Certified Technician Required.
26	296477108	SENSOR, PRESSURE	1	EGR Delta. Certified Technician Required.
27	296368798	AIR INTAKE TEMP SENSOR	1	Certified Technician Required.
28	180011696	PUMP-FUEL TRANSFER	1	Certified Technician Required.
29	296380039	FUEL FILTER PRESURE SWITCH	1	Certified Technician Required.
30	296433627	FUEL TEMPERATURE SENSOR	1	Certified Technician Required.
	296536625	ENGINE-DEERE 4045 125HP/93KW T4F/STG IV (TRANS)	A/R	Includes Refs. 1-30.

Breakdown-Engine Stage V (SN 1130-)

Fig 03-02X01T03

* Under warranty, this part must be ordered through your local engine service center and replaced by a certified engine technician. Any work performed by a non-certified technician may void engine warranty.

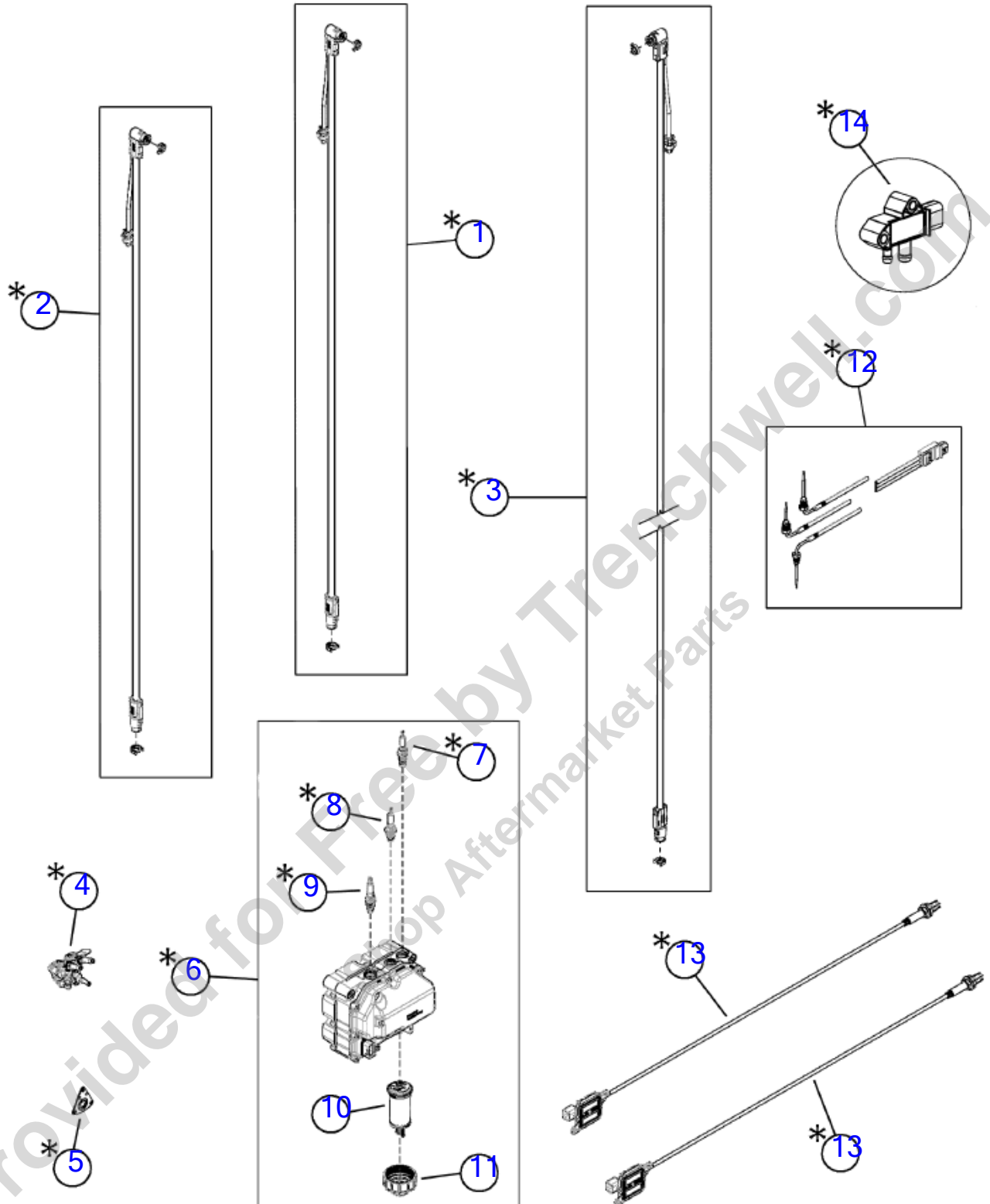


Illustration No. 296536625 - Not For Ordering

Breakdown-Engine Stage V (SN 1130-)

Fig 03-02X01T03

REF NO.	PART NO.	DESCRIPTION	QTY.	REMARKS
1	701038105	HOSE,DEF,JD 16MM LINE	1	Certified Technician Required.
2	701038022	HOSE,DEF,JD 13 MM LINE(57.087 INCHES)	1	Certified Technician Required.
3	163795697	DEF LINE, 3000MM	1	Certified Technician Required.
4	701038052	JD DEF INJECTOR	1	Certified Technician Required.
5	296433644	GASKET	1	Injector. Certified Technician Required.
6	635216164	DEF DOSING UNIT PUMP	1	Certified Technician Required.
7	296474057	FITTING-OUTLET (DEF PUMP)	1	Certified Technician Required.
8	296474058	FITTING-BACKFLOW (DEF PUMP)	1	Certified Technician Required.
9	296474059	FITTING-INLET (DEF PUMP)	1	Certified Technician Required.
10	635208021	DEF PUMP FILTER	1	Certified Technician Required.
10	(163795020)	FILTER KIT	1	Certified Technician Required.
11	296454104	DEF DOSING UNIT PUMP FILTER CAP	1	
12	296454023	TEMPERATURE SENSOR	1	Certified Technician Required.
13	635216163	NOX SENSOR	2	Certified Technician Required.
14	296454024	PRESSURE SENSOR	1	Delta. Certified Technician Required.
	296536625	ENGINE-DEERE 4045 125HP/93KW T4F/STG IV (TRANS)	A/R	Includes Refs. 1-14.

Breakdown-Engine Stage V (SN 1130-)

Fig 03-02X01T04

* Under warranty, this part must be ordered through your local engine service center and replaced by a certified engine technician. Any work performed by a non-certified technician may void engine warranty.

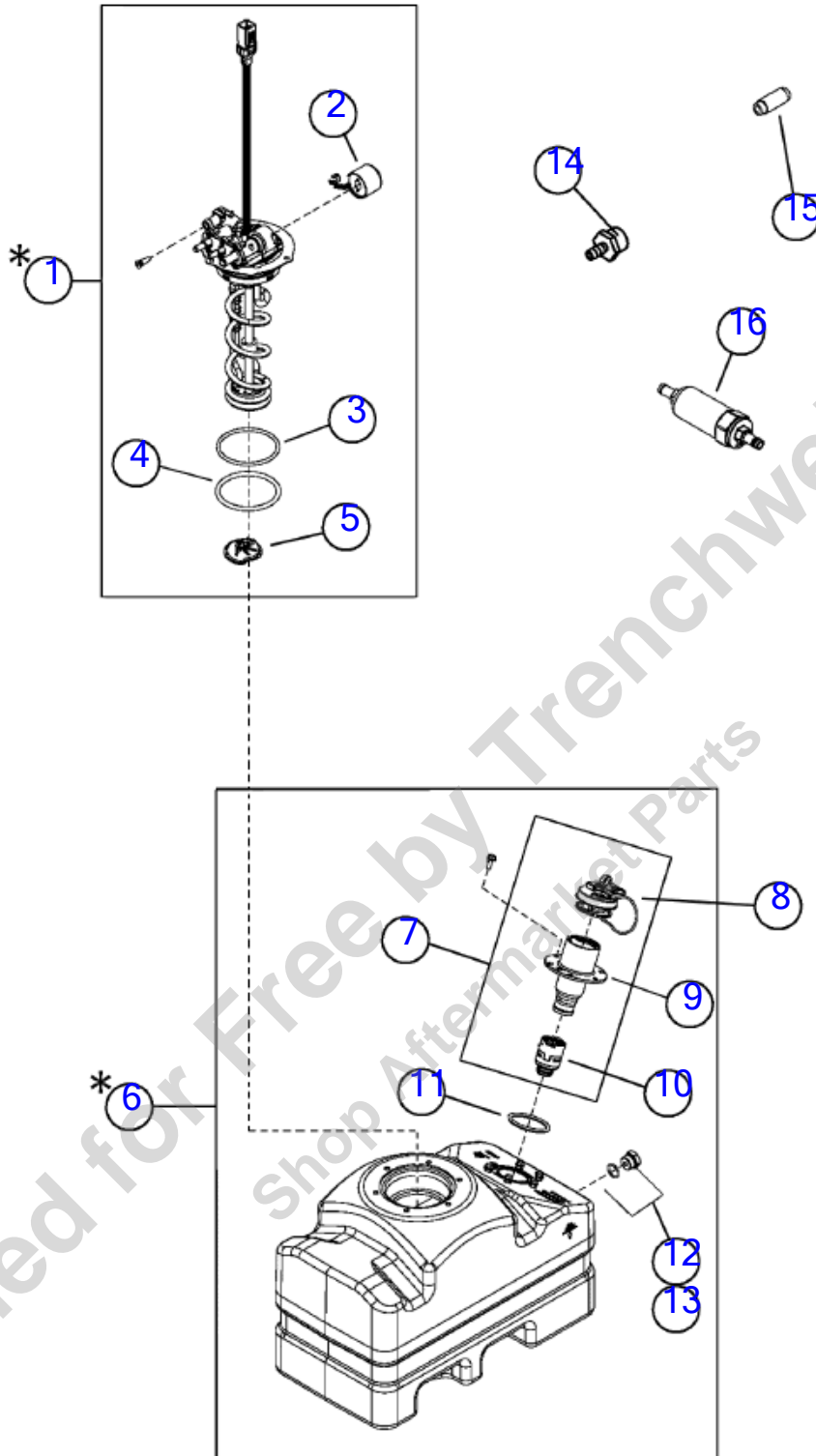


Illustration No. 296536625 - Not For Ordering

Breakdown-Engine Stage V (SN 1130-)

Fig 03-02X01T04

REF NO.	PART NO.	DESCRIPTION	QTY.	REMARKS
1	163795016	DEF TANK HEADER ASSEMBLY	1	Certified Technician Required.
2	296433650	SOLENOID VALVE	1	Certified Technician Required.
3	296477089	O-RING	1	Certified Technician Required.
4	296477090	O-RING	1	Certified Technician Required.
5	296477091	FILTER KIT, DEF TANK	1	
6	296454027	DEF TANK	1	Certified Technician Required.
7	296454026	FILLER NECK	1	Certified Technician Required.
8	296454084	FILLER CAP-DEF TANK	1	
9	296477087	BASE	1	Certified Technician Required.
10	701039516	STRAINER (DEF TANK)	1	Certified Technician Required.
11	296525811	O-RING	1	Certified Technician Required.
12	296454106	DRAIN PLUG	1	
13	163795017	O-RING	1	
14	635050877	FITTING -DEF POLY NIPPLE	1	Certified Technician Required.
15	635050876	FILTER - DEF OVERFLOW	1	
16	296442511	FT4 COOLANT FILTER DZ100304	1	
	296536625	ENGINE-DEERE 4045 125HP/93KW T4F/STG IV (TRANS)	A/R	Includes Refs. 1-16.

Provided for Free by Trenchwall.com
Shop Aftermarket Parts

Engine Mount

Fig 03-03

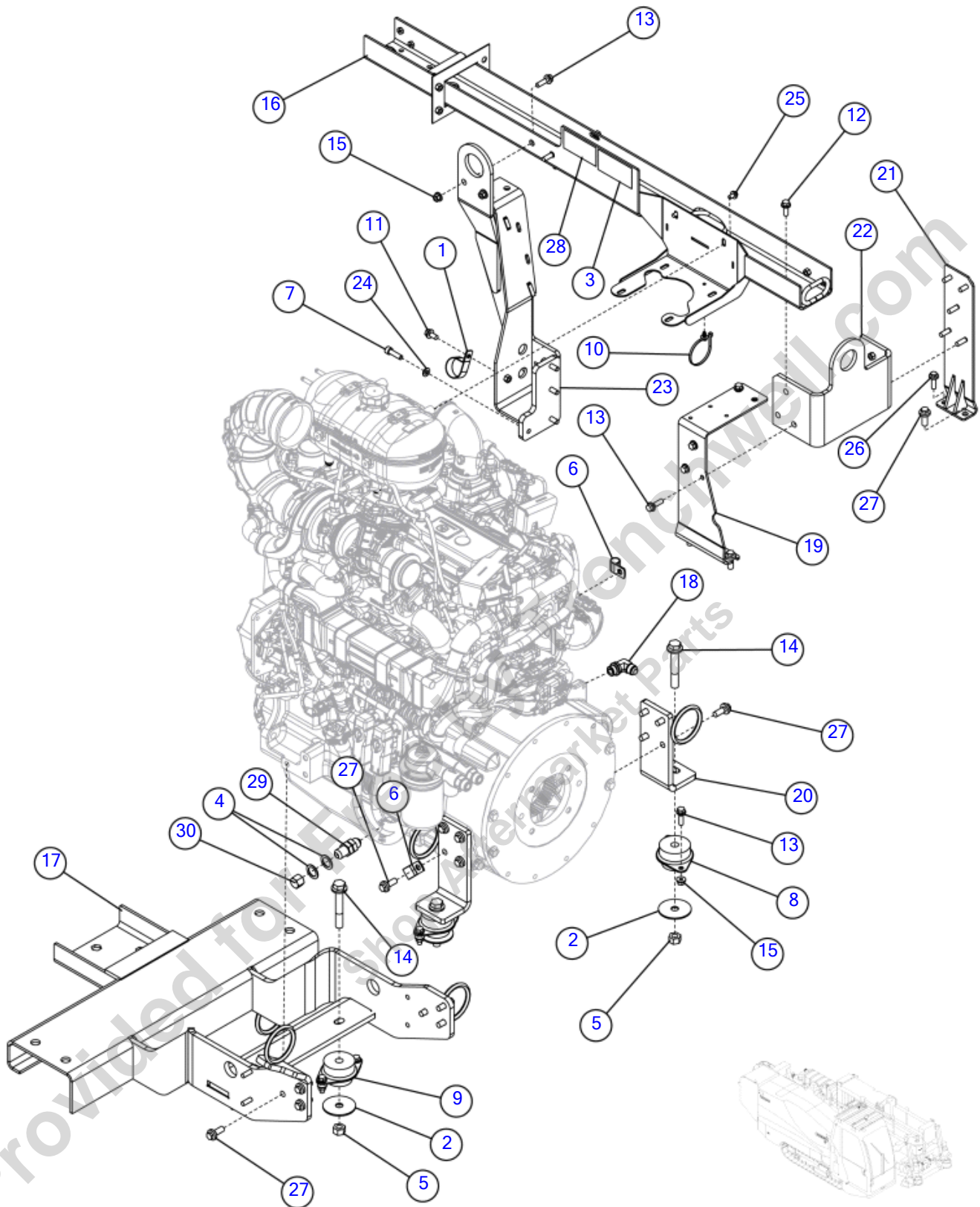


Illustration No. 296454838 - Not For Ordering

Engine Mount

Fig 03-03

REF NO.	PART NO.	DESCRIPTION	QTY.	REMARKS
1	204721001	HOSE CLAMP-CCV2913 1 3/4"	1	
2	220203001	SLUG- .125 THICK ENGINE MOUNT	4	
3	2326315	DECAL WARNING	1	
4	240756001	WASHER-SERRAID 1 3/8 ODX7/8ID	2	
5	250513001	NUT - 5/8NC Gr8 TOP LOCK Y/ZINC	4	
6	2595019	CLAMP-HOSE, 3/4in W/ 17/32 HOLE, VINYL	2	
7	270087001	SCREW SHCS M10 1.50 X 35 12.9 PLN D912	4	
8	296274659	ISOLATOR - ENGINE RED	2	
9	296274660	ISOLATOR - ENGINE WHITE	2	
10	296276007	FIR TREE MOUNT	1	
11	296300771	SCREW-HFS-.38-16X.75GR8-YZ	1	
12	296300772	SCREW HFS .38-16X1.00 GR8 YZ	6	
13	296300773	SCREW-HFS-.38-16X1.25-GR8-YZ	16	
14	296300810	SCREW-HFS-.63-1X4.00-GR8-YZ	4	
15	296300850	NUT-HEXFLGTL-.38-16-G-YZ	10	
16	296378235	WELDMENT - WIREWAY CHANNEL	1	
17	296378241	MOUNT - FRONT TIER 4F JD ENGINE	1	
18	296419523	FITTING-M22 X 1.5 MORB -10MJ, 90DEG.	1	
19	296426544	WELDMENT - ENGINE TOP BRACKET TURBO SIDE	1	
20	296426558	WELDMENT - ENGINE MOUNT	2	
21	296426726	WELDMENT-REAR RIGHT ENGINE BRACKET	1	
22	296426728	WELDMENT - ENGINE REAR LIFT	1	
23	296426733	WELDMENT- ENGINE FRONT LIFT BRKT	1	
24	506046010	WASHER-FLAT,M10,YZ,D125A	4	
25	507611012	SCREW HFS M8 1.25 X 12 10.9 YZ D6921 FT	6	
26	507612030	SCREW-HFS,M10-1.50X30,10.9,YZ,ANSI,B18.2.3.9M,FT	1	
27	507613030	SCREW-HFS,M12-1.75X30,10.9,YZ,ANSI,B18.2.3.9M,PT	17	
28	7000G712	DECAL-COOLANT SPECS NOTICE	1	
29	77734001	FITTING-10M JIC BULKHEAD STR.	1	
30	78062001	FITTING-10F JIC CAP NUT	1	

Radiator Charge Air Tubes

Fig 03-04

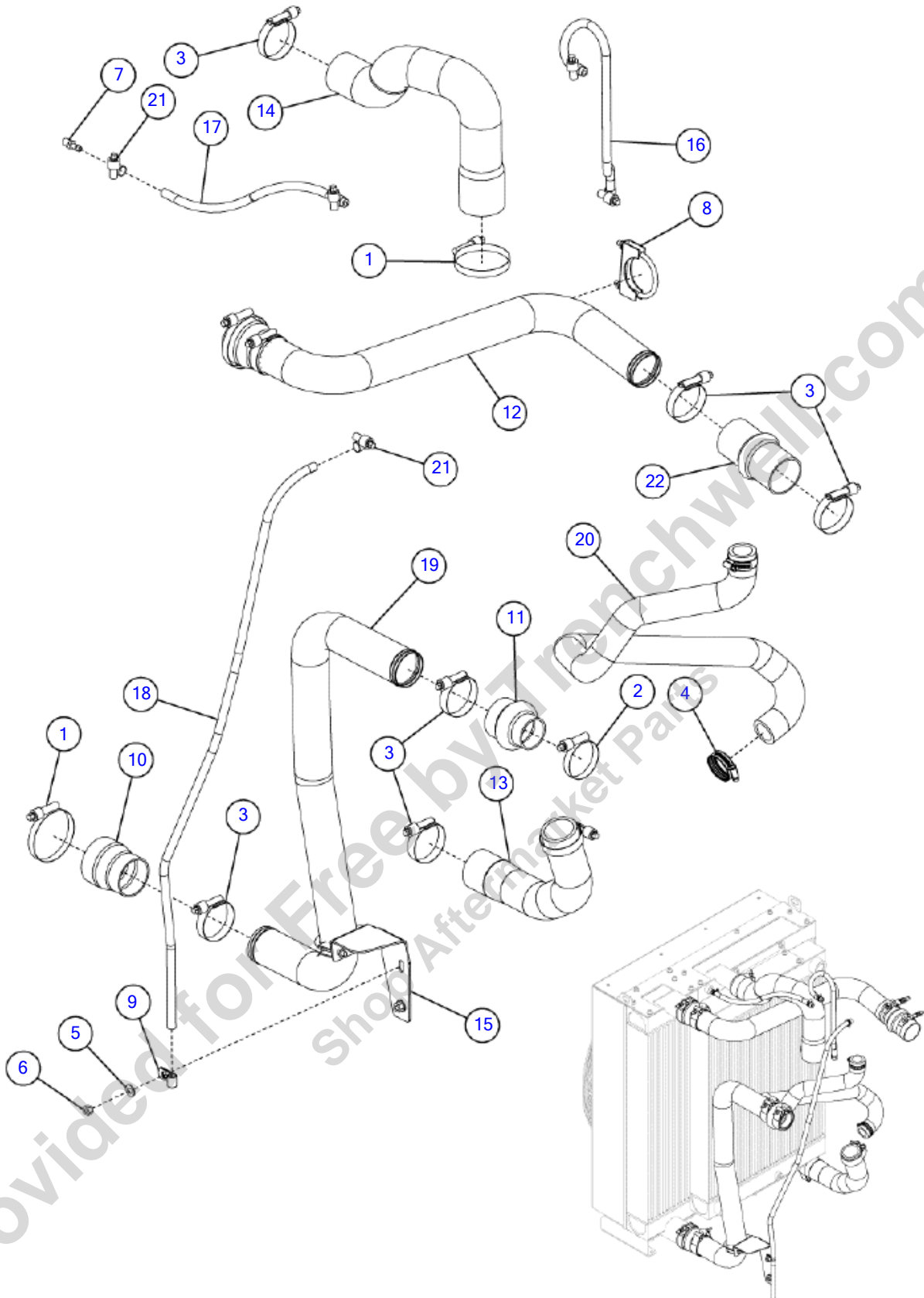


Illustration No. 296486972 - Not For Ordering

Radiator Charge Air Tubes

Fig 03-04

REF NO.	PART NO.	DESCRIPTION	QTY.	REMARKS
1	113095001	HOSE CLAMP-CONST.TRQ. CT350L	3	
2	116769001	CLAMP - CON TORQUE 1 3/4 - 2 5/8	1	
3	124722001	HOSE CLAMP-CONSTANT TORQUE	8	
4	163720521	CLAMP-SEAL, 1.70-2.06 X 0.68W, SAE028	2	
5	235713001	3/8 F436 HARDENED FLAT WASHER	2	
6	235725001	NUT - HEX - .38 - 16 - GR8	2	
7	242619001	FITTING-BRASS1/4MNPTX5/16 BAR	1	
8	2609007	MUFFLER CLAMP-2 1/2"	2	
9	296297645	CLAMP - .50 DIA - .53 MTG HOLE	1	
10	296378778	CAC HOSE HUMPS	2	
11	296378779	CAC HOSE HUMPS	1	
12	296426548	TUBE-UPPER CAC	1	
13	296426549	HOSE-RADIATOR LOWER D36X50 & D24X40 TIER 4F	1	
14	296426550	HOSE-UPPER RADIATOR D36X50 & D24X40 TIER 4F	1	
15	296426553	PLATE - LOWER CAC SUPPORT	1	
16	296426588	HOSE - ENGINE COOLANT VENT JD 4045	1	
17	296426589	HOSE - COOLING PACKAGE VENT JD4045	1	
18	296426590	HOSE - SURGE TANK OVERFLOW JD 4045	1	
19	296426637	TUBE-CAC LOWER	1	
20	296454836	HOSE-COOLING SYSTEM FILL MEDIUM DRILLS- SERIES III	1	
21	296486965	CLAMP - CON. TORQUE 7/16 - 25/32	5	
22	617885001	HOSE- HUMP CAC 2.50 X 2.50 - 4.38	1	

Air Cleaner
Fig 03-05

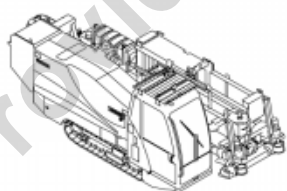
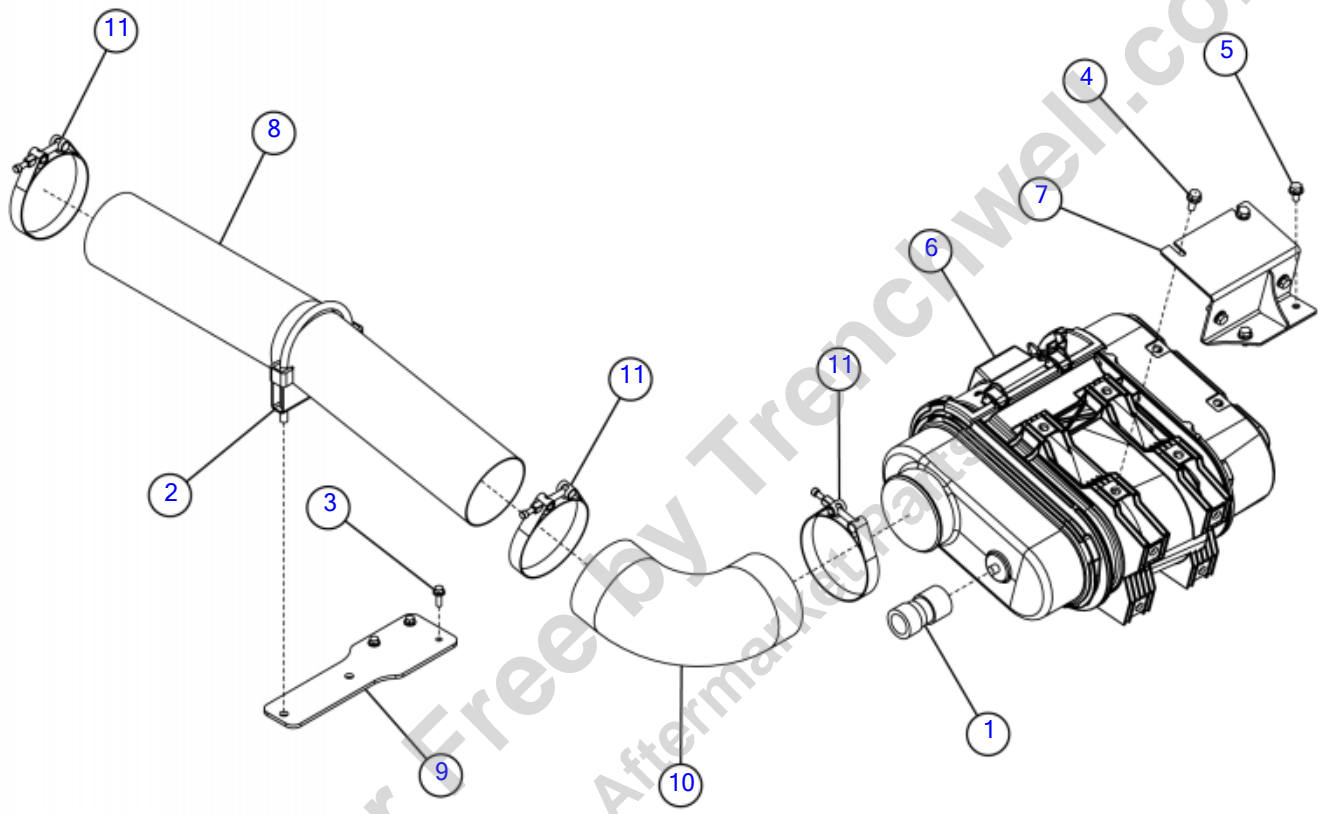


Illustration No. 296426537 - Not For Ordering

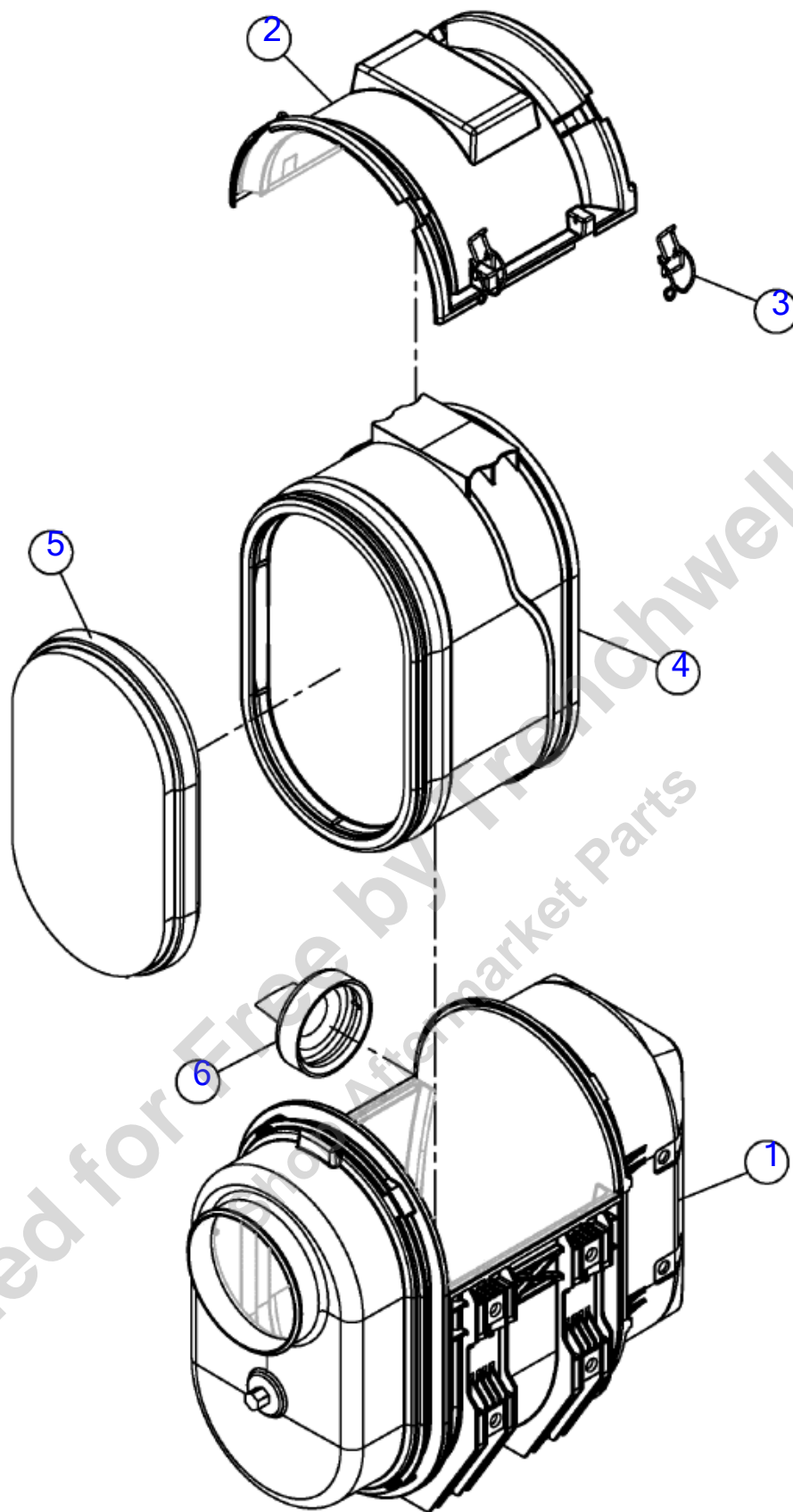
Air Cleaner
Fig 03-05

REF NO.	PART NO.	DESCRIPTION	QTY.	REMARKS
1	113557001	INDICATOR AIR FLOW - 30in	1	
2	2609017	CLAMP-MUFFLER 4"	1	
3	296300753	SCREW-HFS-.25-20X.75-GR8-YZ	3	
4	296300762	SCREW HFS .31 - 18 X .75 GR8 YZ	4	
5	296300859	SCREW HFS .31 - 18 X .50 GR8 YZ	2	
6	296347030	AIR CLEANER	1	Breakdown Fig. 3-5T01
7	296412184	WELDMENT - AIR CLEANER MOUNT	1	
8	296426532	TUBE-AIR CLEANER TIER IV	1	
9	296426536	PLATE - AIR CLEANER TUBE SUPPORT	1	
10	602889001	CURVE HOSE-4"ID 4.13R RUBBER90	1	
11	91432001	CLAMP - 4 1/2" T-BOLT	3	

Provided for Free by Trenchwell.com
Shop Aftermarket Parts

Breakdown-Air Cleaner

Fig 03-05T01



Breakdown-Air Cleaner

Fig 03-05T01

REF NO.	PART NO.	DESCRIPTION	QTY.	REMARKS
1		BODY HOUSING	1	Not Sold Separately
2	296360687	BODY HOUSING COVER	1	
3	296319715	U CLIP	4	
4	296360688	PRIMARY FILTER POWERCORE	1	
5	296284125	SAFETY FILTER ELEMENT - 9in POWERCORE	1	
6	113055107	VAC. VALVE	1	
	296347030	AIR CLEANER-DONALSON	1	Includes All Items Listed Above

Provided for Free by Trenchwell.com
Shop Aftermarket Parts

Exhaust & Aftertreatment

Fig 03-06

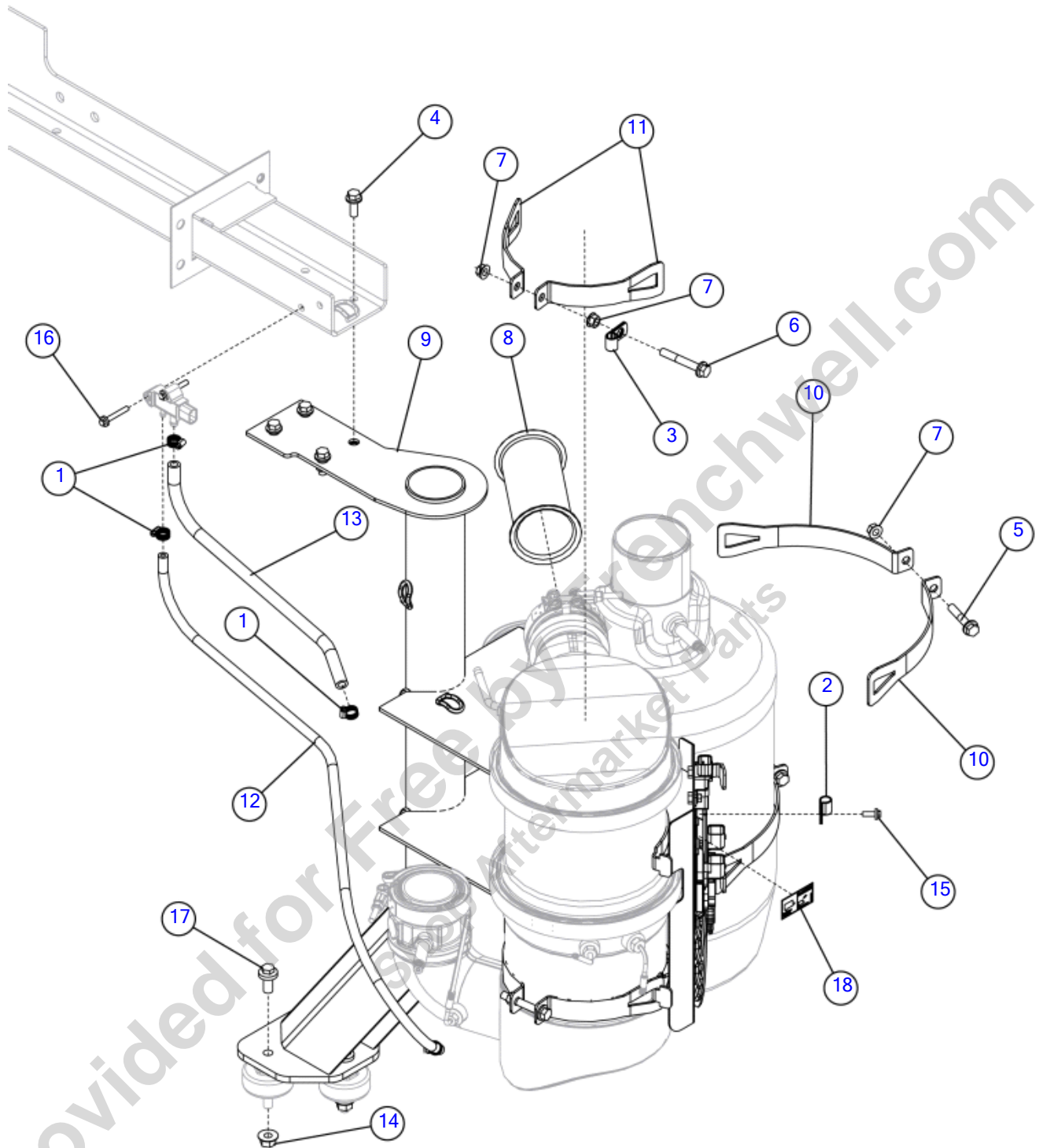


Illustration No. 296426578 - Not For Ordering

Exhaust & Aftertreatment

Fig 03-06

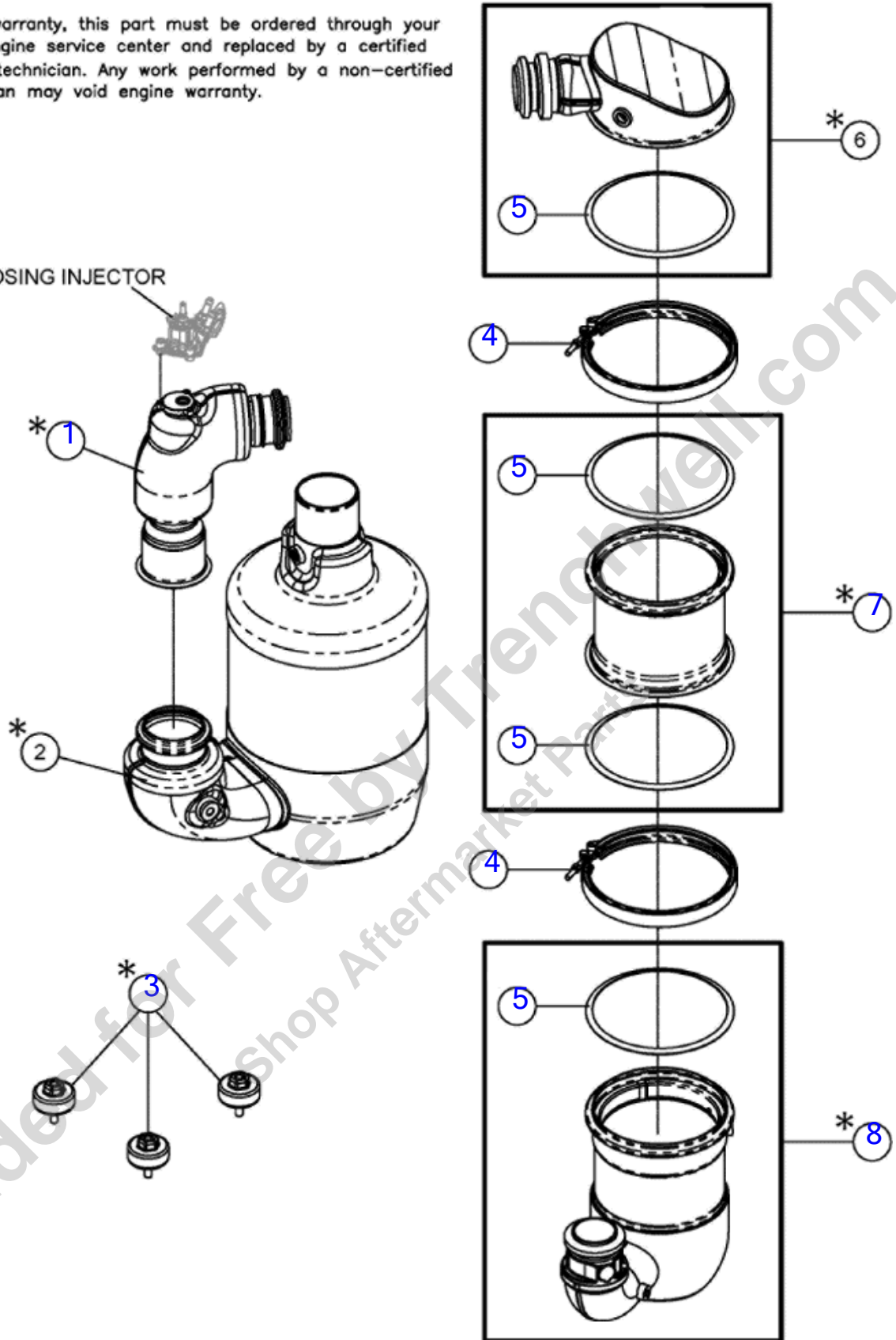
REF NO.	PART NO.	DESCRIPTION	QTY.	REMARKS
1	1578001	HOSE CLAMP - WORM GEAR - 1/4" - 5/8"	4	
2	2595001	HOSE CLAMP - 1/2" "P" STYLE	1	
3	296297645	CLAMP - .50 DIA - .53 MTG HOLE	1	
4	296300772	SCREW HFS .38-16X1.00 GR8	4	
5	296300776	SCREW HFS .38 16 X 2.00 GR8	2	
6	296300778	SCREW-HFS-.38-16.2.50-GR8	2	
7	296300895	NUT, HEXFLG-.38-16-GR8-YZ	5	
8	296378225	ADAPTER-MARMON FLANGE JD SIZE 3 AFTER TREATMENT	1	
9	296378232	WELDMENT - DPF SCR MOUNT	1	
10	296426572	STRAP - SCR RETAINING	4	
11	296426573	STRAP - DPF RETAINING	4	
12	296426645	HOSE - DPF PRESSURE (.250)	1	
13	296426646	HOSE - DPF PRESSURE (.375)	1	
14	506986012	NUT,HEXFLNG,M12,1.75,CL10,ISO4161	3	
15	507610016	SCREW-HFS,M6-1.00X16,10.9,D6921,FT	4	
16	507610040	SCREW HFS M6 1.00 X 40 10.9 D6921 FT	2	
17	507613025	SCREW HFS,M12 1.75X25,10.9,ANSI,B18.2.3.9M,FT	3	
18	7000F633	DECAL - CAUTION HOT, MUFFLER CAN BURN	1	Domestic
18	700IF633	DECAL-CAUTION, HOT MUFFLER CAN BURN	1	Internation
Note		AFTERTREATMENT ITEMS SUPPLIED WITH ENGINE/DEF	1	Breakdown Fig. 3-6T01

Breakdown-Aftertreatment

Fig 03-06T01

*Under warranty, this part must be ordered through your local engine service center and replaced by a certified engine technician. Any work performed by a non-certified technician may void engine warranty.

DEF DOSING INJECTOR



Breakdown-Aftertreatment

Fig 03-06T01

REF NO.	PART NO.	DESCRIPTION	QTY.	REMARKS
1	701038010	DECOMP TUBE,JD 4045	1	
1	(296454038)	TUBE	1	
2	296454039	SCR CATALYST CONVERTER	1	
3	296454008	EXHAUST FILTER ISOLATOR	3	
4		CLAMP	2	Not Sold Separately
5		GASKET	4	Not Sold Separately
6	296454033	EXHAUST PIPE	1	Includes 1 pc of Item 5
7	296454034	DIESEL PARTICULATE FILTER	1	Includes 2 pcs of Item 5
8	296454035	DIESEL OXIDATION CATALYST	1	Includes 1 pc of Item 5
NOTE		AFTERTREATMENT ITEMS SUPPLIED WITH ENGINE/DEF	1	

Provided for Free by Trenchwell.com
Shop Aftermarket Parts

Diesel Exhaust Fluid Lines (SN 101-468)

Fig 03-07

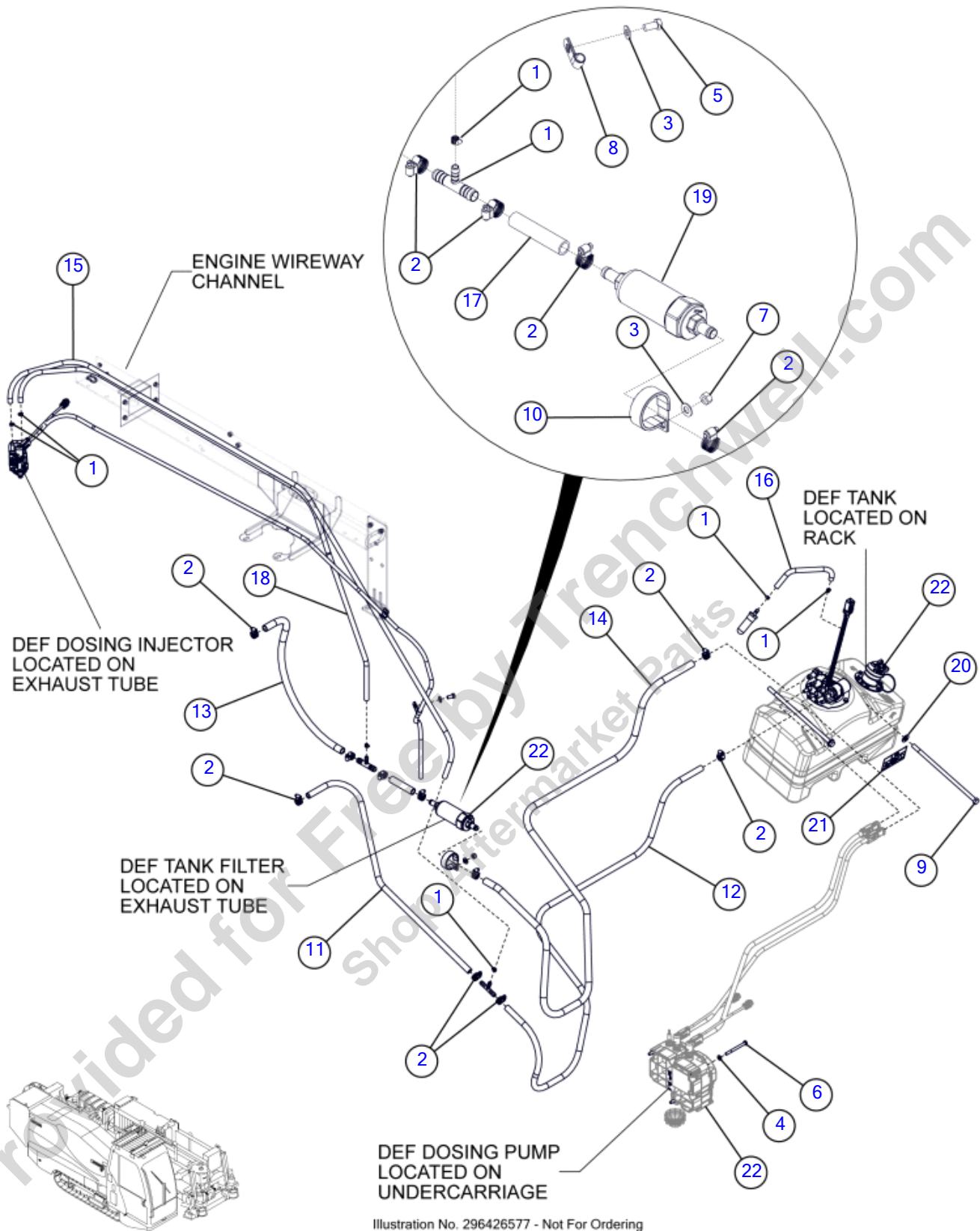


Illustration No. 296426577 - Not For Ordering

Diesel Exhaust Fluid Lines (SN 101-468)

Fig 03-07

REF NO.	PART NO.	DESCRIPTION	QTY.	REMARKS
1	1580001	HOSE CLAMP - WORM GEAR - 5/16in - 7/8in	6	
2	1580003	HOSE CLAMP - 3/4"	10	
3	235713001	WASHER - FLATSTRL - .38 - .41 X .81 - .06-YA-A325	3	
4	235714001	WASHER - 5/16 FLAT, ZN	3	
5	235726001	BOLT-3/8-16X3/4 GR8 HEX ZNCPLT	1	
6	248013001	BOLT-5/16-18X3 1/2 GR8 ZYC	3	
7	250508001	NUT - 3/8-NC Gr8 TOP LOCK Y/ZINC	1	
8	296297645	CLAMP - .50 DIA - .53 MTG HOLE	2	
9	296327099	SCREW-1/2 - 13X12 HEX CAP GR8 Z&Y	2	
10	296409953	CLAMP-HOSE 2 5/32" DIA	1	
11	296426647	HOSE-WATER-.50X19.00-NONE/NONE-60PSI	1	
12	296426648	HOSE-WATER-.50X95.0-NONE/NONE-60PSI	1	
13	296426649	HOSE-WATER-.63X27-NONE/NONE-60PSI	1	
14	296426650	HOSE-WATER-.63X101.0-NONE/NONE-60PSI	1	
15	296426651	HOSE-WATER-.38X100.0-NONE/NONE-60PSI	1	
16	296426652	HOSE-WATER-.38X10.50-NONE/NONE-60PSI	1	
17	296426723	HOSE-WATER-.63X4.0-NONE/NONE-60PSI	1	
18	296426734	HOSE-WATER-.38X92-NONE/NONE-60 PSI	1	
19	296442511	FT4 COOLANT FILTER DZ100304	1	
20	485025	WASHER-1/2 FLAT-HARDENED-YZ	2	
21	700IG063	DECAL- DIESEL EXHAUST FLUID (DEF)	1	
22		ITENS SUPPLIED WITH TIER 4 FINAL ENGINE/DEF		DEF TANK Breakdown Fig. 3-7T01

Diesel Exhaust Fluid Lines (SN 469-)

Fig 03-07R01

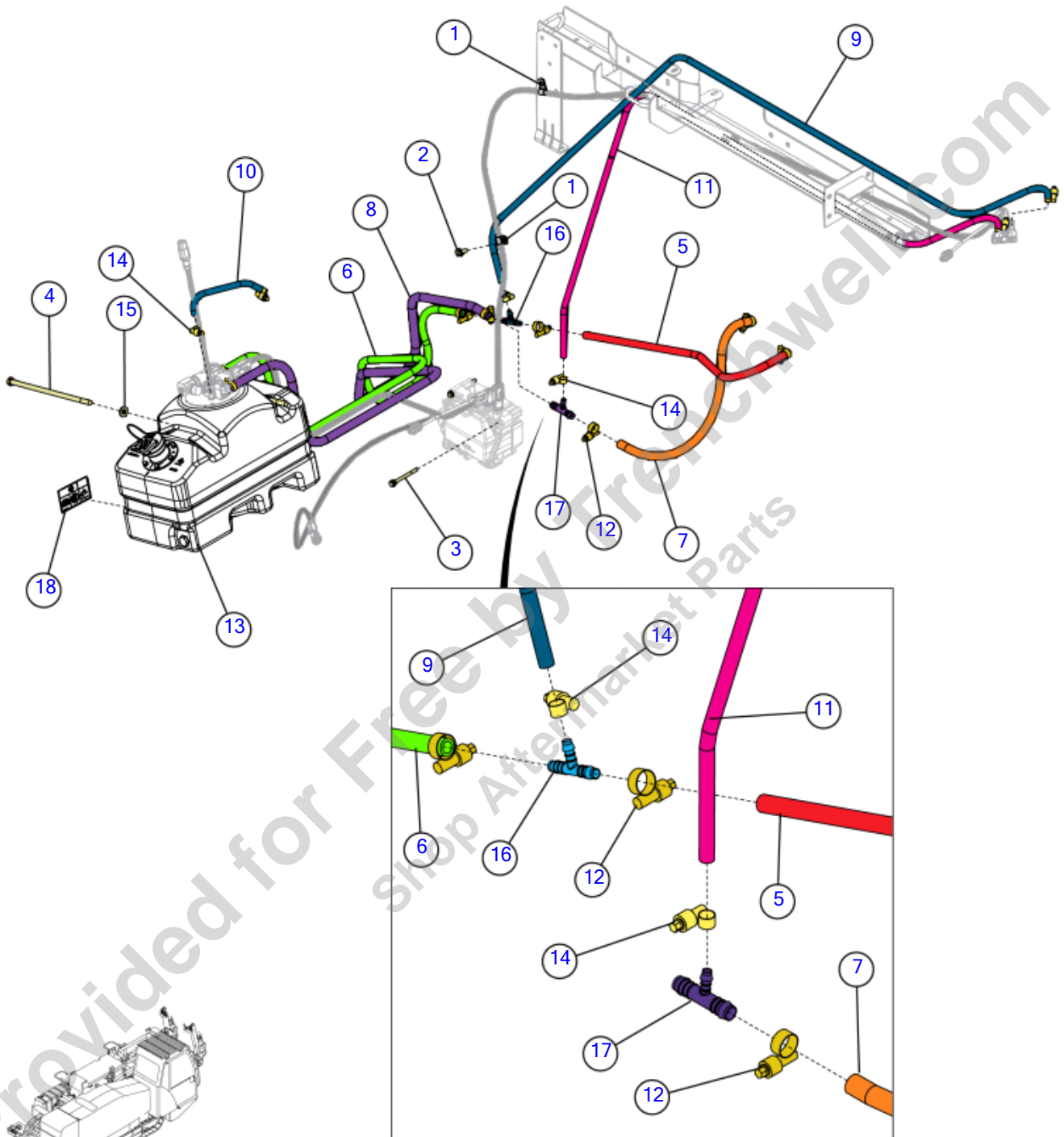


Illustration No-296426577 - Not For Ordering

Diesel Exhaust Fluid Lines (SN 469-)

Fig 03-07R01

REF NO.	PART NO.	DESCRIPTION	QTY.	REMARKS
1	296297645	CLAMP - .50 DIA - .53 MTG HOLE	2	
2	296300771	SCREW-HFS-.38-16X.75GR8	1	
3	296300948	SCREW - HFS - .31 - 18 X 3.50 - GR8-YZ	3	
4	296327099	SCREW-1/2 - 13X12 HEX CAP GR8 Z&Y	2	
5	296426647	HOSE-WATER-.50X19.00-NONE/NONE-60PSI	1	
6	296426648	HOSE-WATER-.50X95.0-NONE/NONE-60PSI	1	
7	296426649	HOSE-WATER-.63X27-NONE/NONE-60PSI	1	
8	296426650	HOSE-WATER-.63X106.0-NONE/NONE-60PSI	1	
9	296426651	HOSE-WATER-.38X100.0-NONE/NONE-60PSI	1	
10	296426652	HOSE-WATER-.38X10.50-NONE/NONE-60PSI	1	
11	296426734	HOSE-WATER-.38X92-NONE/NONE-60 PSI	1	
12	296486957	CLAMP - CON. TORQUE 11/16 - 1 1/4	8	
13		DEF TANK ASSEMBLY WITH NEW CAP	1	Supplied W/Engine T4 Final, Breakdown Fig 3-7T01
14	296486965	CLAMP - CON. TORQUE 7/16 - 25/32	6	
15	485025	WASHER-1/2 FLAT-HARDENED	2	
16	635050828	TEE FITTING 1/2" ID HOSE TO 3/8" ID HOSE	1	Supplied W/Engine
17	635050829	TEE FITTING 5/8" ID HOSE TO RESTRICTED 3/8" ID HOSE	1	Supplied W/Engine
18	700IG063	DECAL- DIESEL EXHAUST FLUID (DEF)	1	

Breakdown-DEF Tank, Filters & Dosing Unit (SN 101-471)

Fig 03-07T01

Under warranty, these individual parts and/or assemblies must be ordered through your local engine service center and replaced by a certified engine technician. Any work performed by a non-certified technician may void engine warranty.

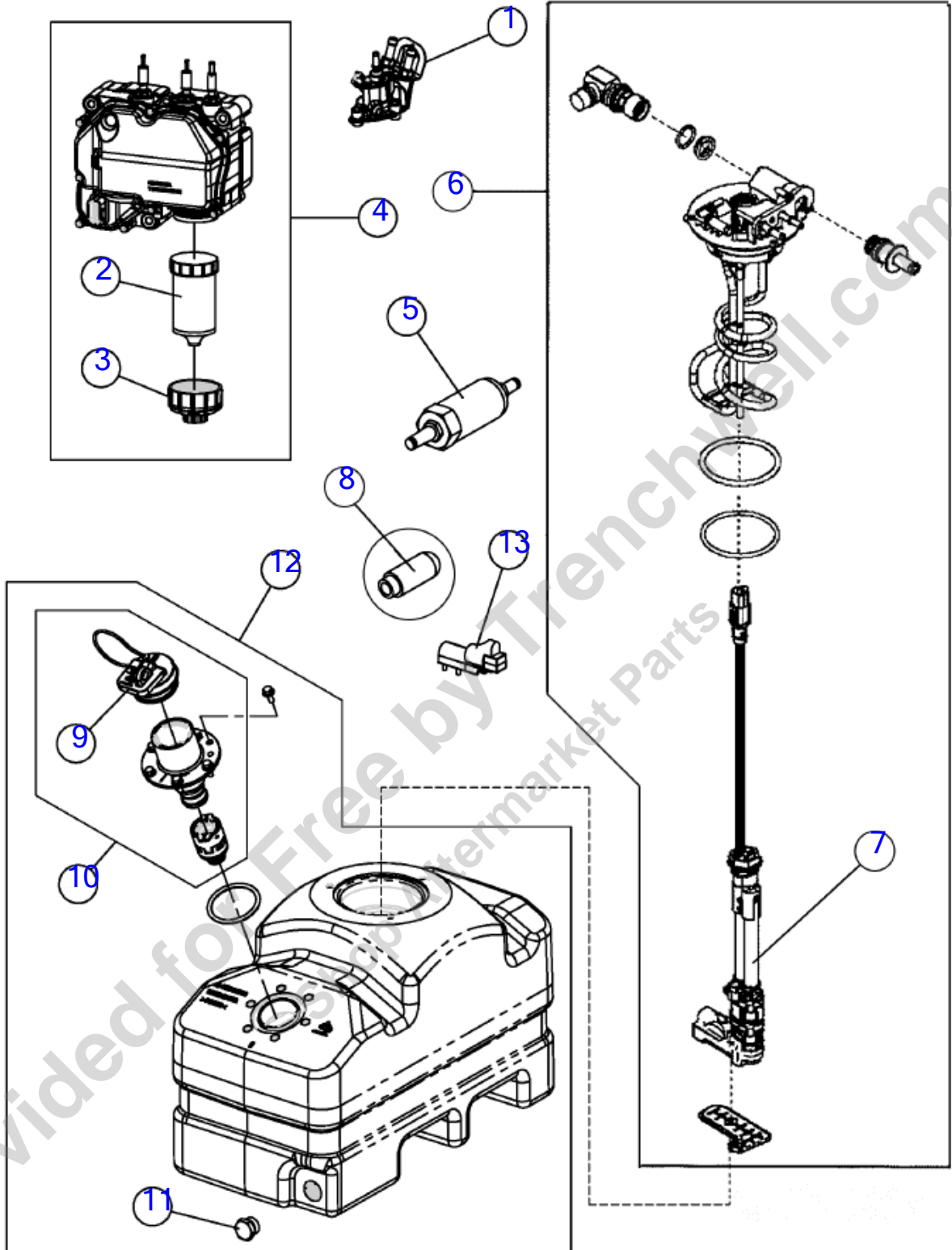


Illustration No. 296426541_BD3-Not For Ordering

Breakdown-DEF Tank, Filters & Dosing Unit (SN 101-471)

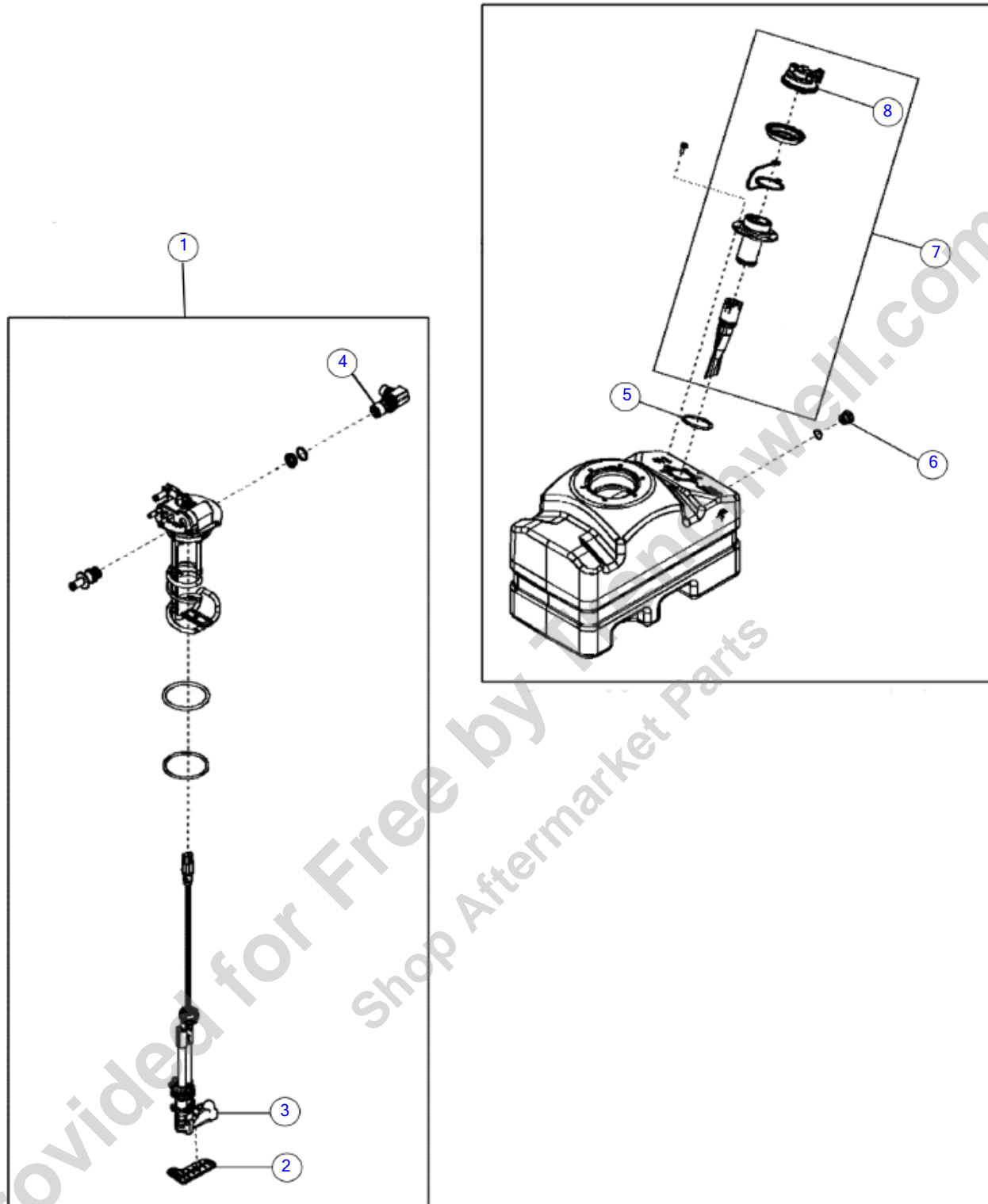
Fig 03-07T01

REF NO.	PART NO.	DESCRIPTION	QTY.	REMARKS
1	296433645	DEF DOSING INJECTOR MODULE	1	
2	635208021	DEF PUMP FILTER	1	
3	296454104	DEF DOSING UNIT PUMP FILTER CAP	1	
4	296454022	DEF DOSING UNIT PUMP	1	Includes Refs. 2-3.
5	296442511	FT4 COOLANT FILTER DZ100304	1	
6		DEF TANK HEADER ASSEMBLY	1	Includes Ref. 7.
7		FILTER KIT	1	
8	635050876	FILTER - DEF OVERFLOW	1	
9	296454084	FILLER CAP-DEF TANK	1	
10	296454026	FILLER NECK	1	Includes Ref. 9.
11	296454106	DRAIN PLUG	1	
12	296454027	DEF TANK	1	Includes Refs. 10-11.
13	296454024	PRESSURE SENSOR	1	
	296433646	NOX CHEMICAL SENSOR HARNESS	1	Not Shown.
	296454023	TEMPERATURE SENSOR	1	Not Shown.
NOTE		AFTERTREATMENT SUPPLIED WITH TIER 4 FINAL ENGINE/DEF	1	

Breakdown-DEF Tank, Filters & Dosing Unit (SN 472-)

Fig 03-07T01R01

*Under warranty, these individual parts and/or assemblies must be ordered through your local engine service center and replaced by a certified engine technician. Any work performed by a non-certified technician may void engine warranty.



Breakdown-DEF Tank, Filters & Dosing Unit (SN 472-)

Fig 03-07T01R01

REF NO.	PART NO.	DESCRIPTION	QTY.	REMARKS
1	296454025	DEF TANK HEADER ASSEMBLY	1	Incl Ref Items 2-4
2	701039515	FILTER KIT (DEF TANK)	1	
3	635216143	FILTER KIT	1	
4	296525810	VALVE - SOLENOID	1	
5	296525811	O-RING	1	
6	296454106	DRAIN PLUG	2	
7	296525812	FILLER NECK	1	Included With #7
8	296525813	FILLER CAP	1	
NOTE		ITEMS SUPPLIED WITH TIER 4 FINAL ENGINE/DEF	1	

Provided for Free by Trenchwell.com
Shop Aftermarket Parts

Exhaust Tubes & Insulation

Fig 03-08

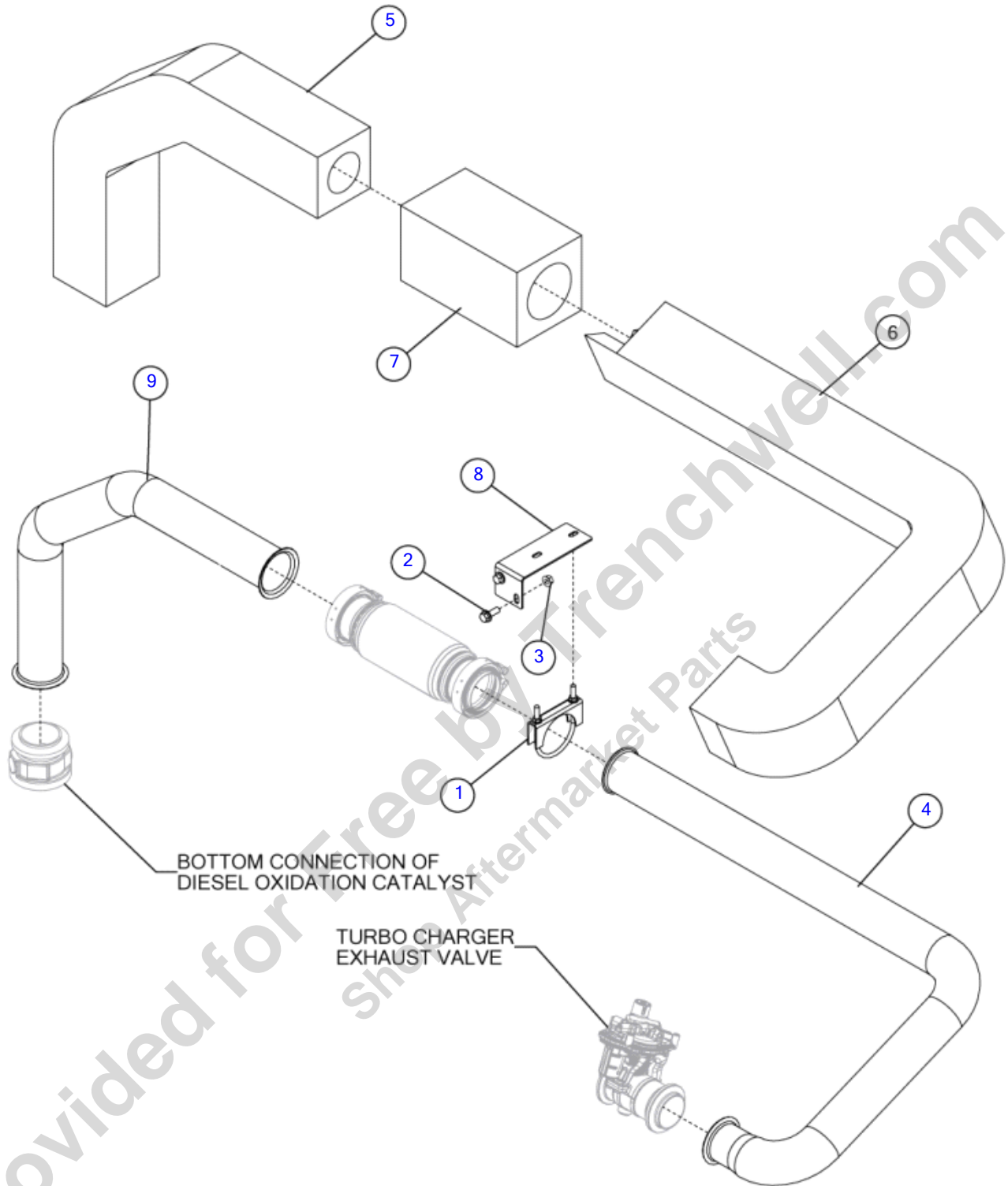


Illustration No. 296426556 - Not For Ordering

Exhaust Tubes & Insulation

Fig 03-08

REF NO.	PART NO.	DESCRIPTION	QTY.	REMARKS
1	2609011	MUFFLER CLAMP - 3"	1	
2	296300772	SCREW HFS .38-16X1.00 GR8	2	
3	296300895	NUT, HEXFLG-.38-16-GR8-YZ	2	
4	296426535	PIPE-EXHAUST JD FT4	1	
5	296426554	BLANKET-EXHAUST TUBE	1	
6	296426555	BLANKET-EXHAUST TUBE	1	
7	296426585	BELLOWS COVER	1	
8	296426614	PLATE - EXHAUST SUPPORT	1	
9	296426620	TUBE-EXHAUST-BELLOWS-TO-DPF	1	

Provided for Free by Trenchwell.com
Shop Aftermarket Parts

Fuel Tank
Fig 03-09

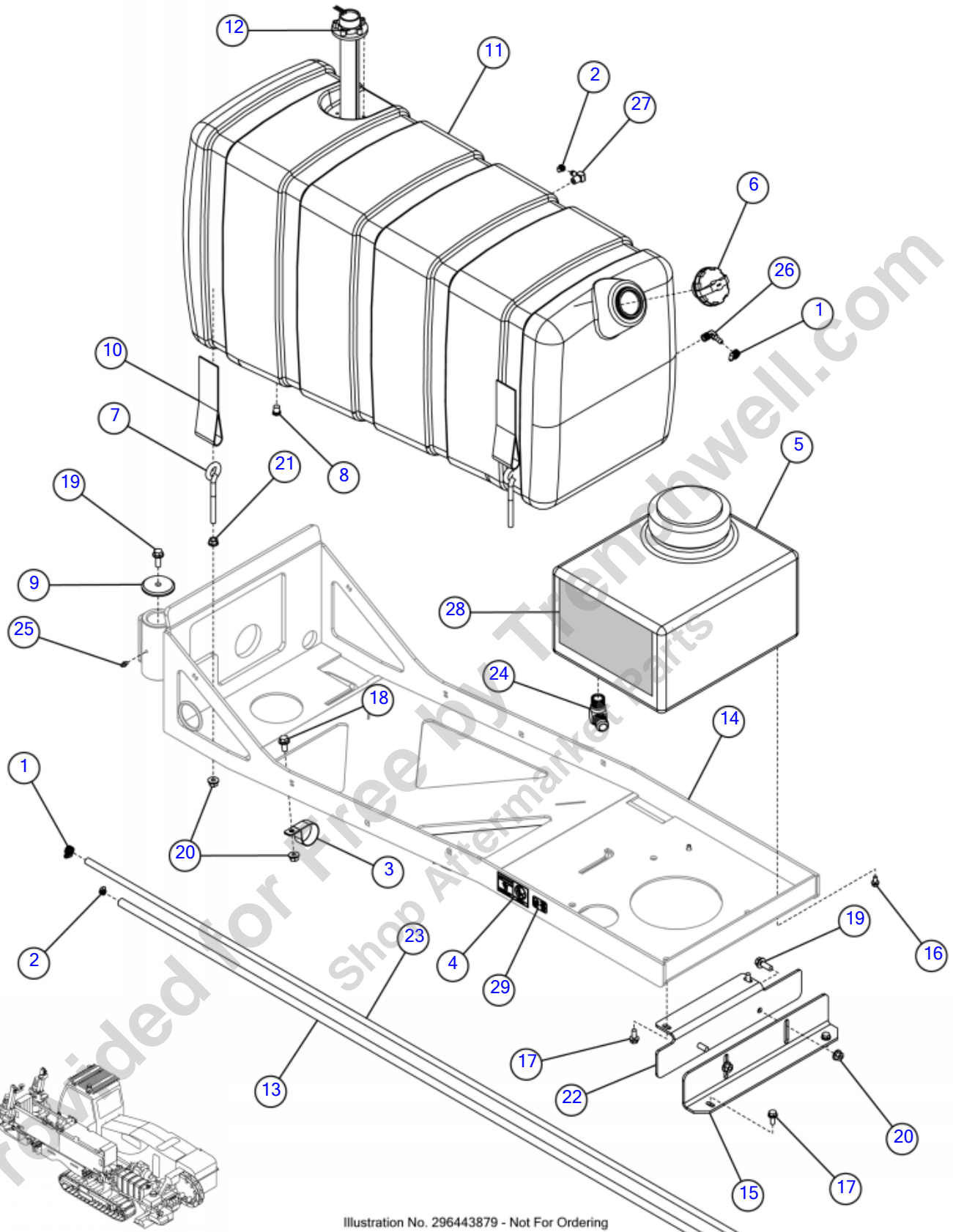


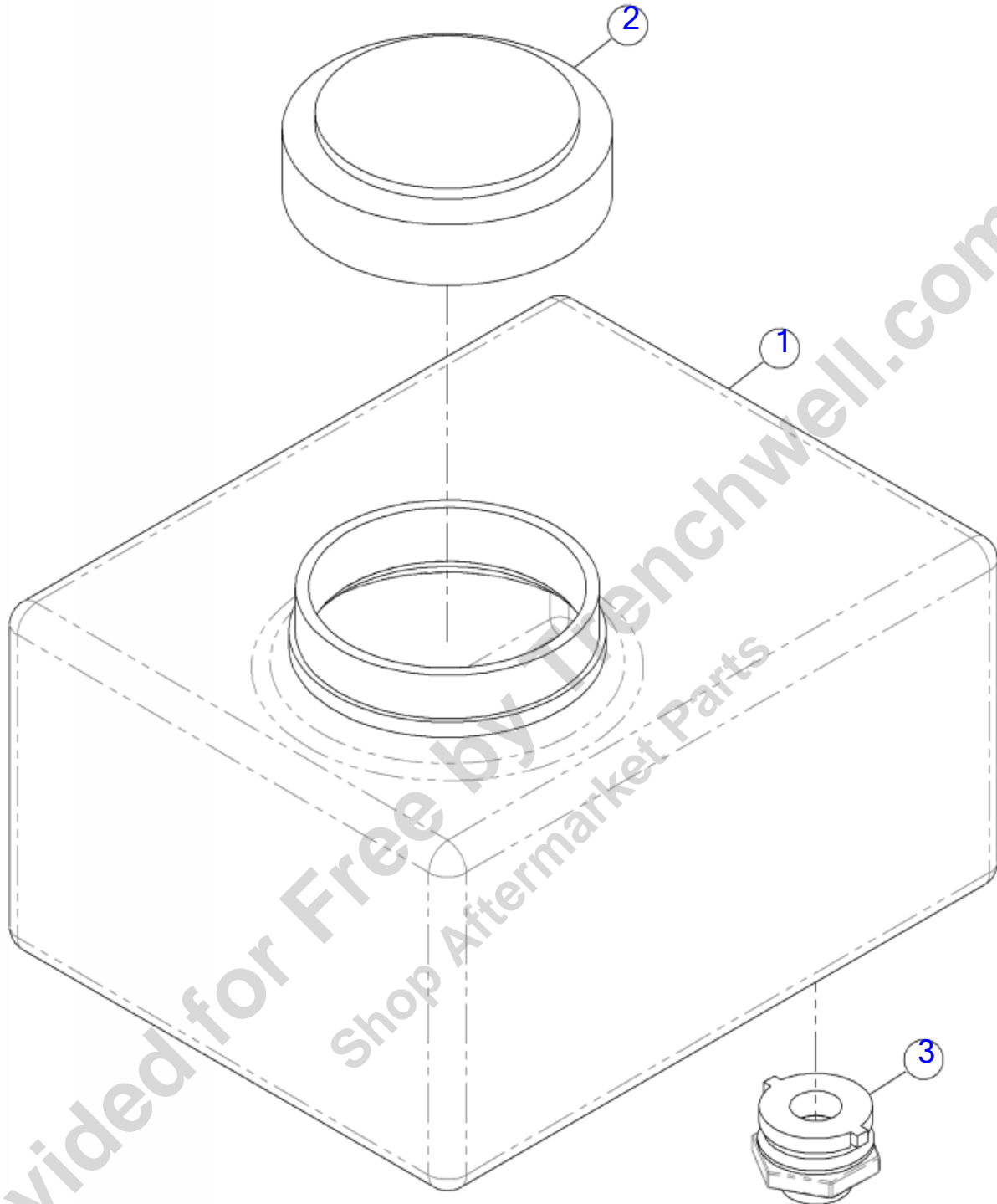
Illustration No. 296443879 - Not For Ordering

Fuel Tank
Fig 03-09

REF NO.	PART NO.	DESCRIPTION	QTY.	REMARKS
1	1578001	HOSE CLAMP - WORM GEAR - 1/4" - 5/8"	2	
2	1580001	HOSE CLAMP - WORM GEAR - 5/16in - 7/8in	2	
3	204721001	HOSE CLAMP-CCV2913 1 3/4"	2	
4	2326324	DECAL-WARNING/REFUEL (DOMESTIC)	1	Domestic
4	2326I324	DECAL - WARNING EXPLOSION	1	International
5	236466001	TANK-6 GALLON POLY	1	Breakdown Fig 3-9T01
6	279326001	CAP - DIESEL FUEL W/LOCK	1	
7	279374001	BOLT - 3/8-16 X 5 1/2 EYE	2	
8	282126001	FITTING - 1/4 BRASS HEX PLUG	1	
9	285625001	PLATE - COMB HOLD DOWN WSH.	1	
10	287698001	STRAP - FUEL TANK	2	
11	289602001	FUEL TANK	1	
12	292038001	SENDER - FUEL LEVEL	1	
13	296280221	HOSE - FUEL SUPPLY 3/8" X 152"	1	
14	296280773	MOUNT ASSY - PIVOTING FUEL TANK	1	
15	296280978	SUPPORT - FUEL TANK	1	
16	296300751	SCREW HFS .25-20X.50 GR8-YZ	3	
17	296300762	SCREW HFS .31 - 18 X .75 GR8 YZ	4	
18	296300771	SCREW-HFS-.38-16X.75GR8-YZ	2	
19	296300772	SCREW HFS .38-16X1.00 GR8 YZ	3	
20	296300850	NUT-HEXFLGTL-.38-16-G-YZ	6	
21	296300895	NUT, HEXFLG-.38-16-GR8-YZ	2	
22	296301882	SUPPORT - FUEL TANK	1	
23	296443969	HOSE - FUEL RETURN 5/16 X 163"	1	
24	56215001	FITTING-3/4M PIPE-#12M JIC 90	1	
25	598001	FITTING - 1/4" NF ST GREASE ZERK	1	
26	602037001	FITTING -1/4 PIPE 5/16 BARB 90	1	
27	603184001	FITT.-3/8 BARBX1/4M NPT 90DEG	1	
28	70000675	DECAL-NAVIGATOR FREEZE GUARD	1	
29	7000F444	DECAL-DIESEL FUEL SPECIFICATION	1	Domestic
29	700IF444	DECAL-DIESEL FUEL SPECIFICATION	1	International

Breakdown-Anti-Freeze Tank

Fig 03-09T01



Breakdown-Anti-Freeze Tank

Fig 03-09T01

REF NO.	PART NO.	DESCRIPTION	QTY.	REMARKS
1		TANK	1	Not Sold Separately
2	236466003	LID-TANK W/ STRING	1	
3	296302323	BUNG - 3/4"	1	
	236466001	TANK-6 GALLON POLY	1	Includes All Items Listed Above

Provided for Free by Trenchwell.com
Shop Aftermarket Parts

Engine Electrical Panel (SN 101-1063)

Fig 03-10

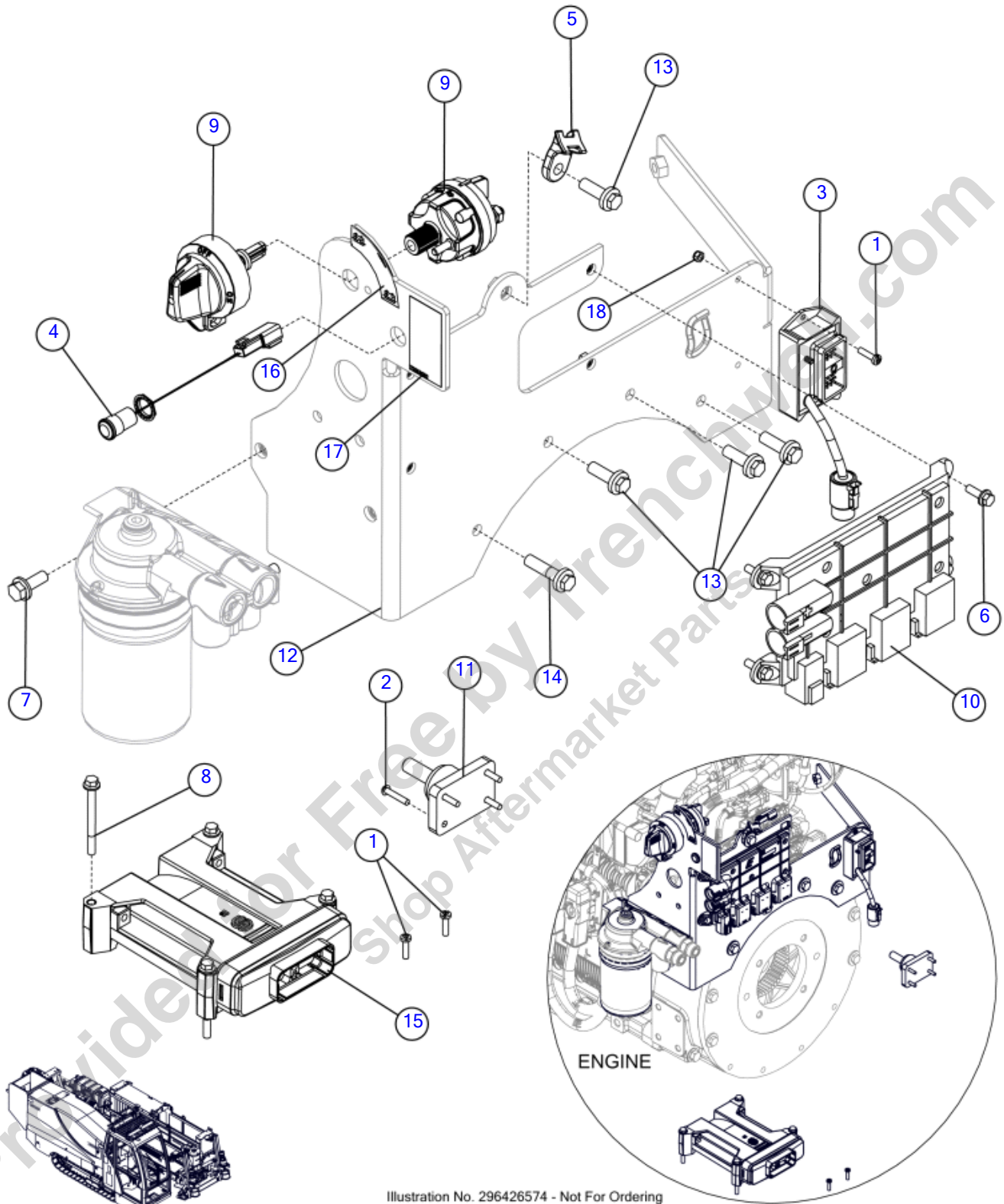


Illustration No. 296426574 - Not For Ordering

Engine Electrical Panel (SN 101-1063)

Fig 03-10

REF NO.	PART NO.	DESCRIPTION	QTY.	REMARKS
1	1802006	BOLT-10-24 X 3/4 RND HD STOVE	4	
2	1802010	SCREW, MCH-10-24X1.00-GR2-CZ-ROUND-SLTD	4	
3	281526001	BUSS BAR MODULE	1	
4	296275583	LIGHT - REMOTE LOCKOUT - AMBER	1	
5	296276018	MOUNT HELLER MANN TITON	1	
6	296300753	SCREW-HFS-.25-20X.75-GR8-YZ	4	
7	296300772	SCREW HFS .38-16X1.00 GR8 YZ	2	
8	296300925	SCREW-HFS-.25-20X2.75-GR8-YZ	4	
9	296347072	SWITCH-DISCONNECT 300A	1	
10	296376828	MODULE - FW MURPHY POWER DISTRIBUTION 24V	1	
11	296414290	POSITIVE TERMINAL STUD	1	
12	296426575	WELDMENT - ENGINE ELECTRIC PANEL	1	
13	507612030	SCREW-HFS,M10-1.50X30,10.9,YZ,ANSI,B18.2.3.9M,FT	4	
14	507612040	SCREW-HFS,M10-1.50X40,10.9,YZ,ANSI,B18.2.3.9M,PT	1	
15	631863125	CONTROLLER -MC050-110 (UNPROGRAMMED)	1	Blank/ Unprogrammed
16	7000G312	DECAL-BATTERY DISCONNECT SWITCH	1	
17	700IG032	DECAL-BATTERY DISCONNECT	1	
18	99042001	NUT-NYLOCK-#10-24-GR2-CZ	2	

Engine Electrical Panel (SN 1064-)

Fig 03-10R01

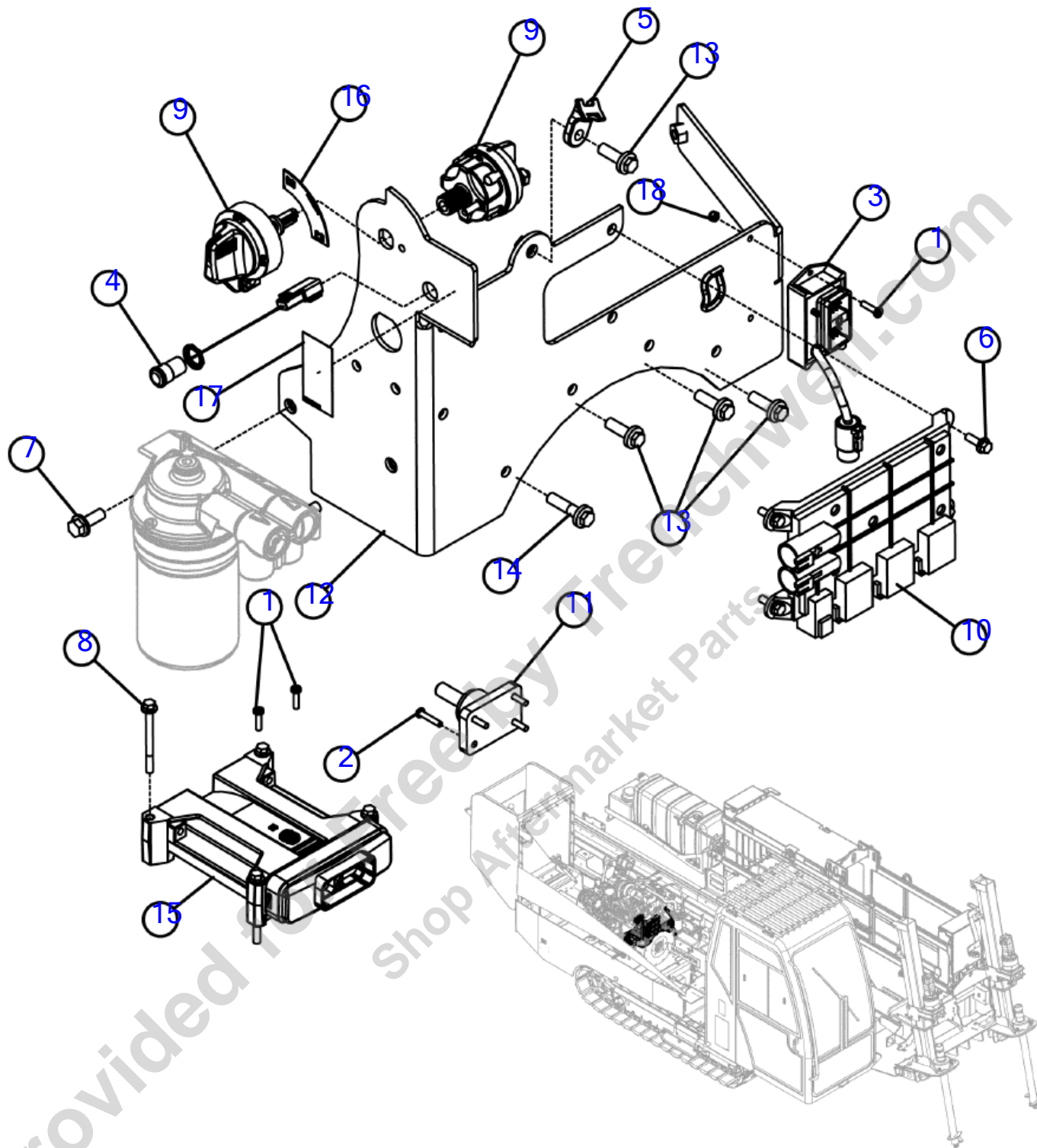


Illustration No. 296426574 - Not For Ordering

Engine Electrical Panel (SN 1064-)

Fig 03-10R01

REF NO.	PART NO.	DESCRIPTION	QTY.	REMARKS
1	1802006	BOLT-10-24 X 3/4 RND HD STOVE	4	
2	1802010	SCREW, MCH-10-24X1.00-GR2-CZ-ROUND-SLTD	4	
3	281526001	BUSS BAR MODULE	1	
4	296275583	LIGHT - REMOTE LOCKOUT - AMBER	1	
5	296276018	MOUNT HELLER MANN TITON	1	
6	296300753	SCREW-HFS-.25-20X.75-GR8	4	
7	296300772	SCREW HFS .38-16X1.00 GR8	2	
8	296300925	SCREW-HFS-.25-20X2.75-GR8-YZ	4	
9	296347072	SWITCH-DISCONNECT 300A	1	
10	296376828	MODULE - FW MURPHY POWER DISTRIBUTION 24V	1	
11	296414290	POSITIVE TERMINAL STUD	1	
12	296477995	WELDMENT - ENGINE ELECTRIC PANEL	1	
13	507612030	SCREW-HFS,M10-1.50X30,10.9,ANSI,B18.2.3.9M,FT	4	
14	507612040	SCREW-HFS,M10-1.50X40,10.9,ANSI,B18.2.3.9M,PT	1	
15	631863125	CONTROLLER -MC050-110 (UNPROGRAMMED)	1	Blank/Unprogrammed
16	7000G312	DECAL-BATTERY DISCONNECT SWITCH	1	
17	700IG032	DECAL-BATTERY DISCONNECT	1	
18	99042001	NUT-NYLOCK-#10-24-GR2-CZ	2	

Fuel Tank W/O Mud Pump

Fig 03-11

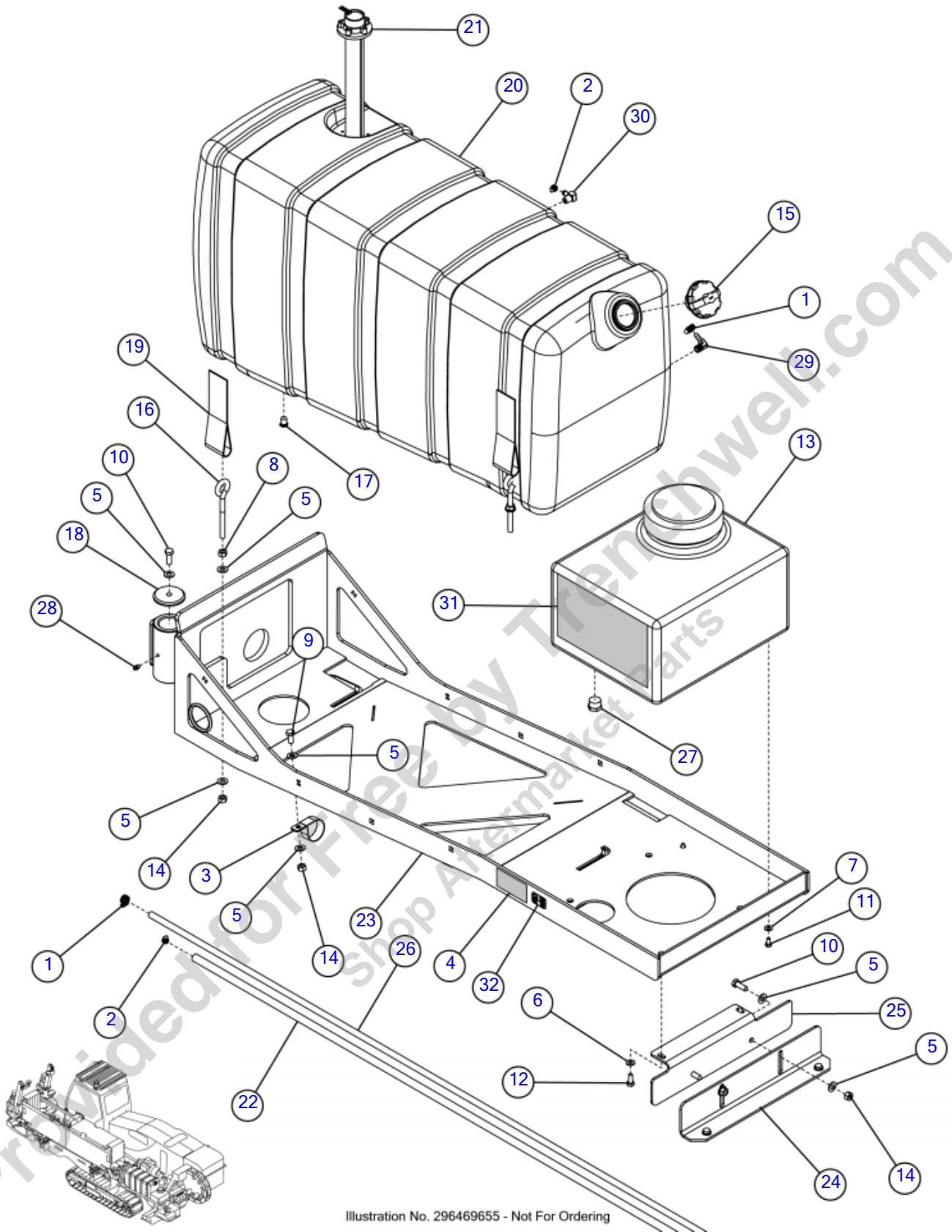


Illustration No. 296469655 - Not For Ordering

Fuel Tank W/O Mud Pump

Fig 03-11

REF NO.	PART NO.	DESCRIPTION	QTY.	REMARKS
1	1578001	HOSE CLAMP - WORM GEAR - 1/4" - 5/8"	2	
2	1580001	HOSE CLAMP - WORM GEAR - 5/16in - 7/8in	2	
3	204721001	HOSE CLAMP-CCV2913 1 3/4"	2	
4	2326324	DECAL-WARNING/REFUEL (DOMESTIC)	1	Domestic
4	2326I324	DECAL - WARNING EXPLOSION	1	International
5	235713001	3/8 F436 HARDENED FLAT WASHER	13	
6	235714001	WASHER - 5/16 FLAT	4	
7	235716001	WASHER - FLATSTRL - .25 -.28 X .63 - .06	3	
8	235725001	NUT - HEX - .38 - 16 - GR8	2	
9	235726001	BOLT-3/8-16X3/4 GR8 HEX	2	
10	235727001	SCREW-HCS-.38-16X1.00-GR8	3	
11	235733001	BOLT-1/4-20X1/2 GR8	3	
12	235742001	BOLT-5/16-18X3/4 GR8	4	
13	236466001	TANK-6 GALLON POLY	1	Breakdown Fig. 3-11T01
14	250508001	NUT - 3/8-NC Gr8 TOP LOCK	6	
15	279326001	CAP - DIESEL FUEL W/LOCK	1	
16	279374001	BOLT - 3/8-16 X 5 1/2 EYE	2	
17	282126001	FITTING - 1/4 BRASS HEX PLUG	1	
18	285625001	PLATE - COMB HOLD DOWN WSH.	1	
19	287698001	STRAP - FUEL TANK	2	
20	289602001	FUEL TANK	1	
21	292038001	SENDER - FUEL LEVEL	1	
22	296280221	HOSE - FUEL SUPPLY 3/8" X 152"	1	
23	296280773	MOUNT ASSY - PIVOTING FUEL TANK	1	
24	296280978	SUPPORT - FUEL TANK	1	
25	296301882	SUPPORT - FUEL TANK	1	
26	296443969	HOSE - FUEL RETURN 5/16 X 163"	1	
27	503188001	FITTING - PLUG - 12MNPT - HEX	1	
28	598001	FITTING - 1/4" NF ST GREASE ZERK	1	
29	602037001	FITTING -1/4 PIPE 5/16 BARB 90	1	
30	603184001	FITT.-3/8 BARBX1/4M NPT 90DEG	1	
31	70000675	DECAL-NAVIGATOR FREEZE GUARD	1	
32	7000F444	DECAL-DIESEL FUEL SPECIFICATION	1	Domestic
32	700IF444	DECAL-DIESEL FUEL SPECIFICATION	1	International

Breakdown-Anti-Freeze Tank

Fig 03-11T01

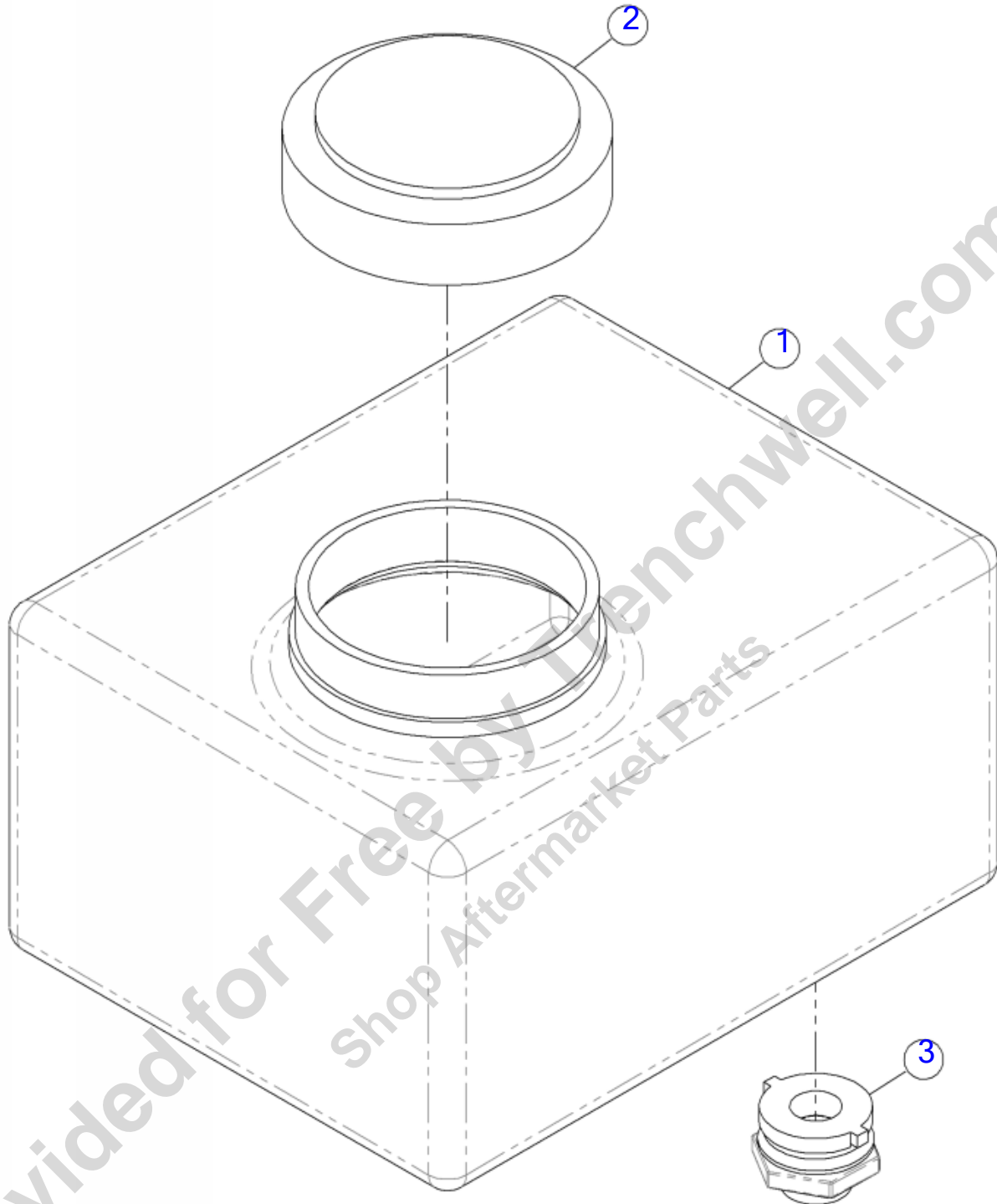


Illustration No: 23646601

Breakdown-Anti-Freeze Tank

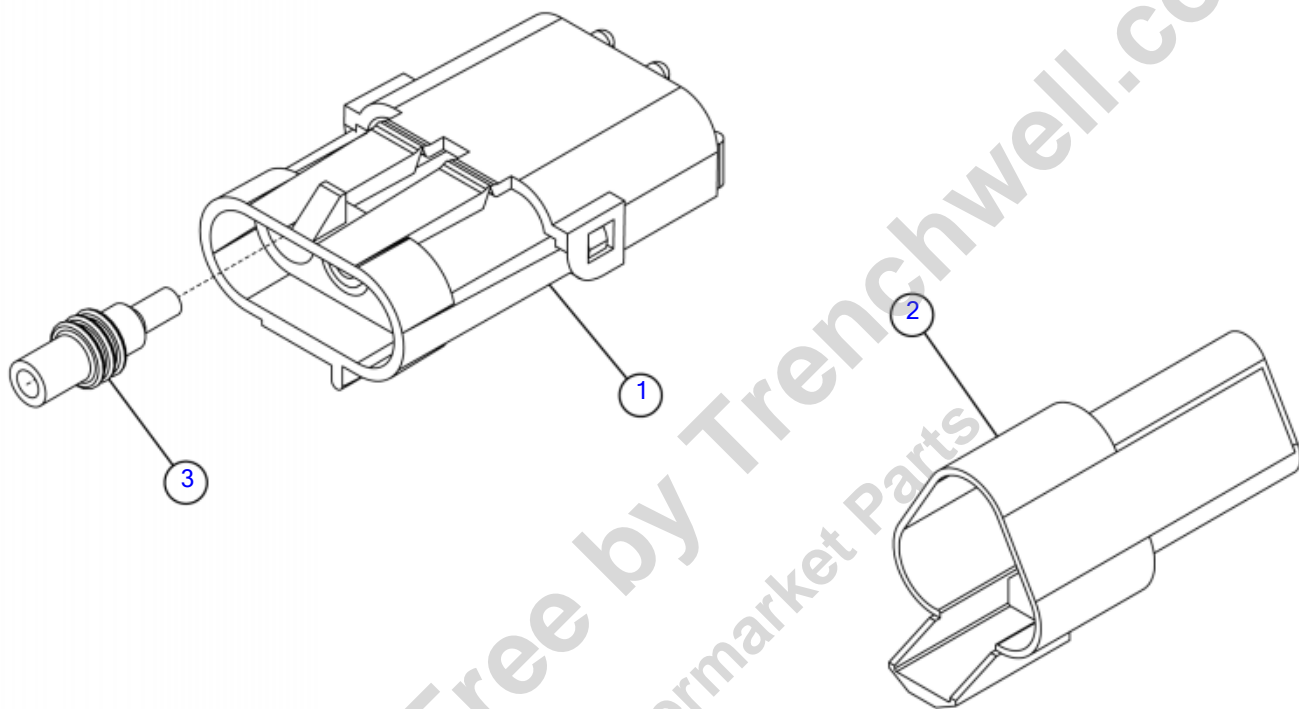
Fig 03-11T01

REF NO.	PART NO.	DESCRIPTION	QTY.	REMARKS
1		TANK	1	Not Sold Separately
2	236466003	LID-TANK W/ STRING	1	
3	296302323	BUNG - 3/4in	1	
	236466001	TANK-6 GALLON POLY	1	Includes All Items Listed Above

Provided for Free by Trenchwell.com
Shop Aftermarket Parts

Electrical - Non Mud Pump

Fig 03-12



Electrical - Non Mud Pump

Fig 03-12

REF NO.	PART NO.	DESCRIPTION	QTY.	REMARKS
1	114380001	PLUG-3 CIRCUIT SHROUD (FEMALE)	1	
2	163686052	CONNECTOR-DT04-3-P-C017	3	
3	296269648	CONNECTOR-PACKARD WEATHER PACK CAVITY PG	1	

Provided for Free by Trenchwell.com
Shop Aftermarket Parts

Engine-Tier 4F/Stage V WO/AC

Fig 03-13

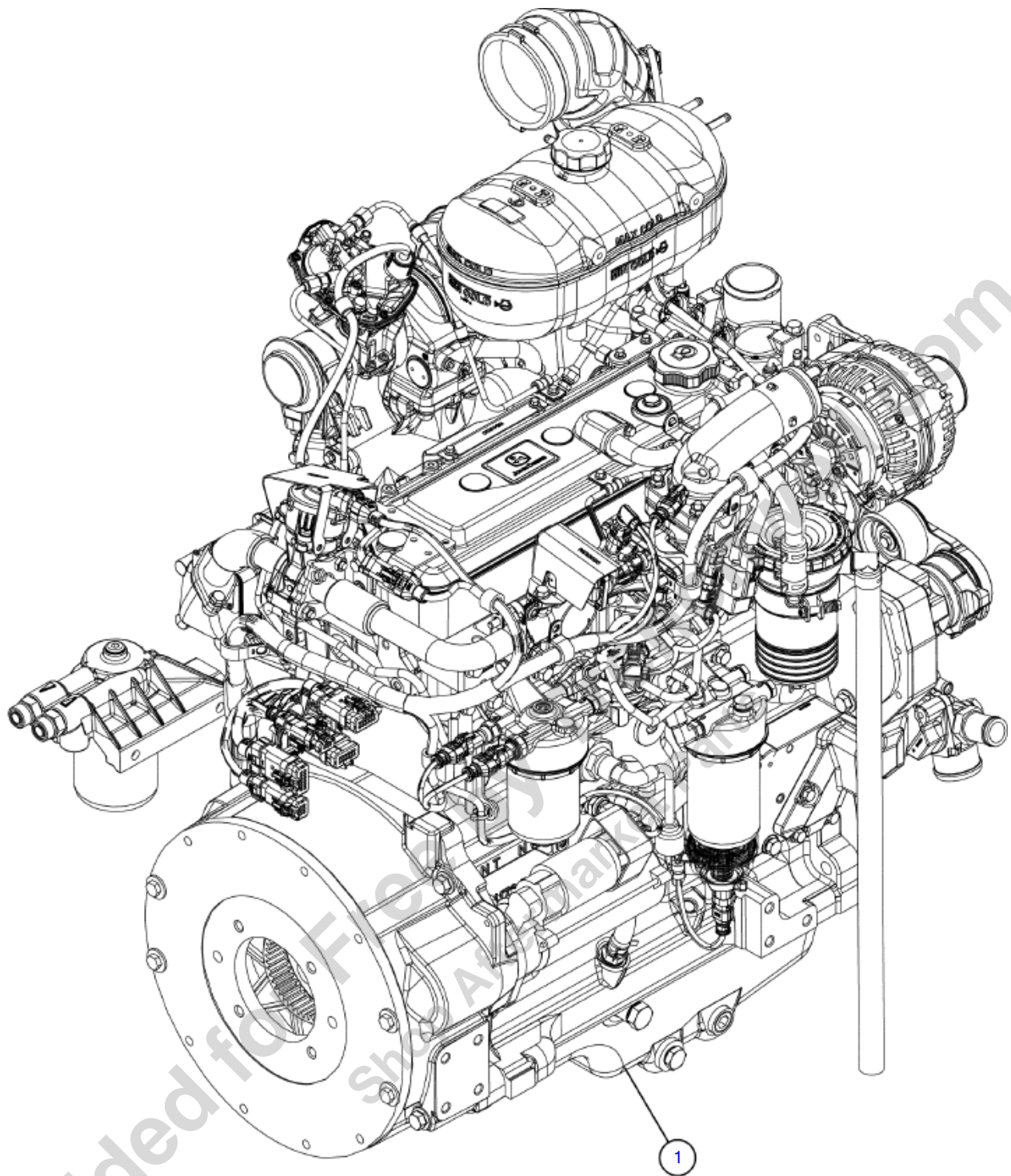


Illustration No: 296536568 - Not For Ordering

Engine-Tier 4F/Stage V WO/AC

Fig 03-13

REF NO.	PART NO.	DESCRIPTION	QTY.	REMARKS
1	296536570	ENGINE-DEERE 4045HI550 125HP/93KW T4F/STG V WO/AC	1	

Provided for Free by Trenchwell.com
Shop Aftermarket Parts

Engine-Tier 4F/Stage V W/ AC

Fig 03-14

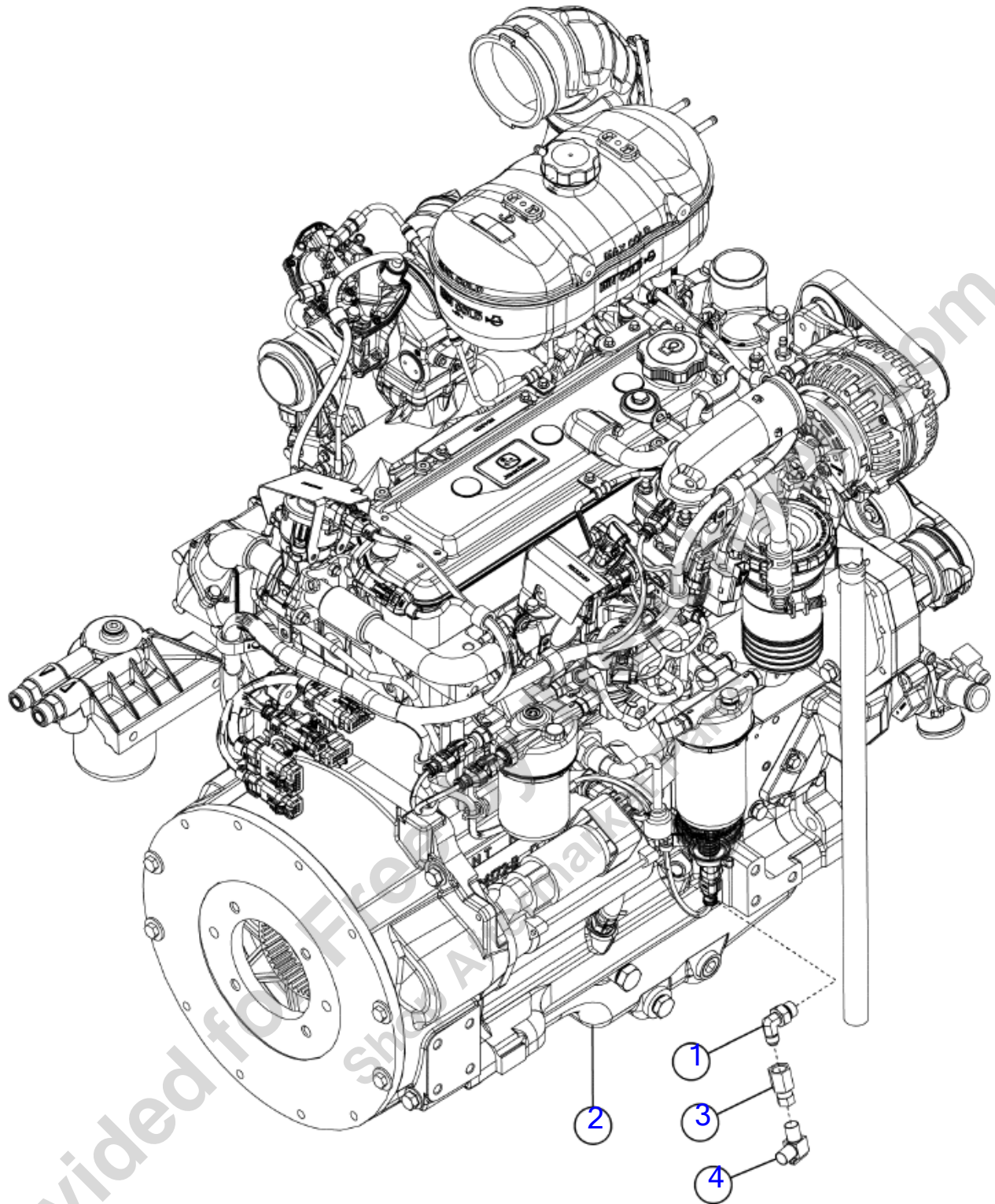


Illustration No: 296536569 - Not For Ordering

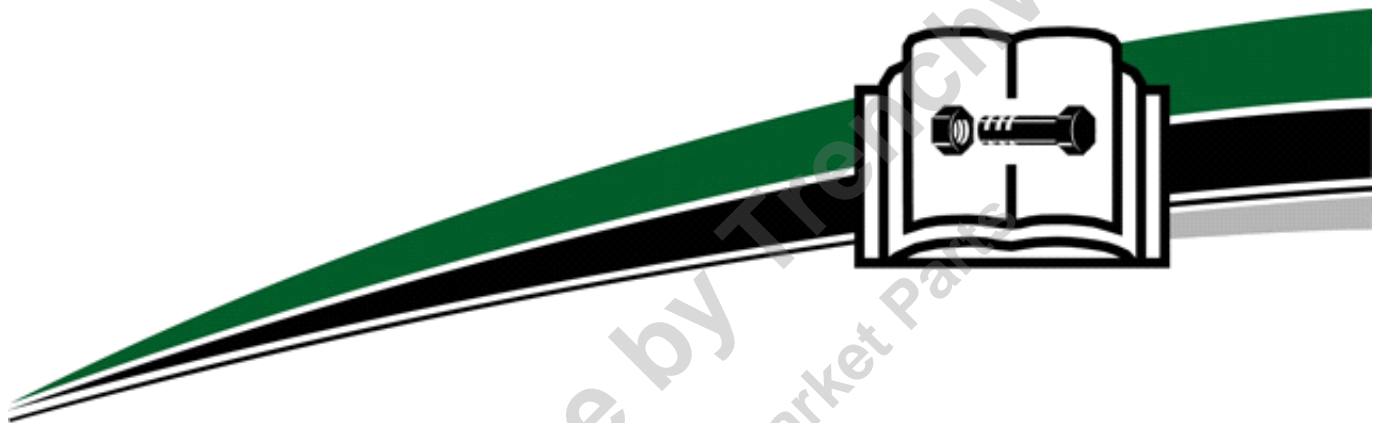
Engine-Tier 4F/Stage V W/ AC

Fig 03-14

REF NO.	PART NO.	DESCRIPTION	QTY.	REMARKS
1	269873001	FITTING - 90 - 6MJ X M 18 X 1.5MORBA	1	
2	296536571	ENGINE-DEERE 4045HI550 125HP/93KW T4F/STG V W/AC	1	
3	61455001	FITTING-3/8FX6 JIC FS STR	1	
4	82633001	FITTING-HEATER SHUT-OFF	1	

Provided for Free by Trenchwell.com
Shop Aftermarket Parts

Engine - Tier 3



Engine - Tier 3

Engine - Non Cab	Fig	04-01
Breakdown - Engine Tier 3 Non Cab	Fig	04-01T01
Breakdown - Engine Tier 3 Non Cab	Fig	04-01T02
Engine - Cab Tier 3	Fig	04-02
Breakdown - Engine Tier 3 Cab	Fig	04-02T01
Engine Mount	Fig	04-03
Radiator Charge Tubes	Fig	04-04
Air Cleaner	Fig	04-05
Breakdown - Air Cleaner	Fig	04-05T01
Exhaust Tube & Muffler	Fig	04-06
Engine Electrical Panel	Fig	04-07

Provided for Free by Trenchwell.com
Shop Aftermarket Parts

Engine - Non Cab

Fig 04-01

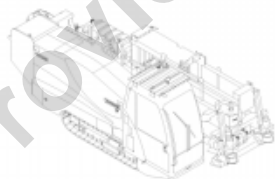
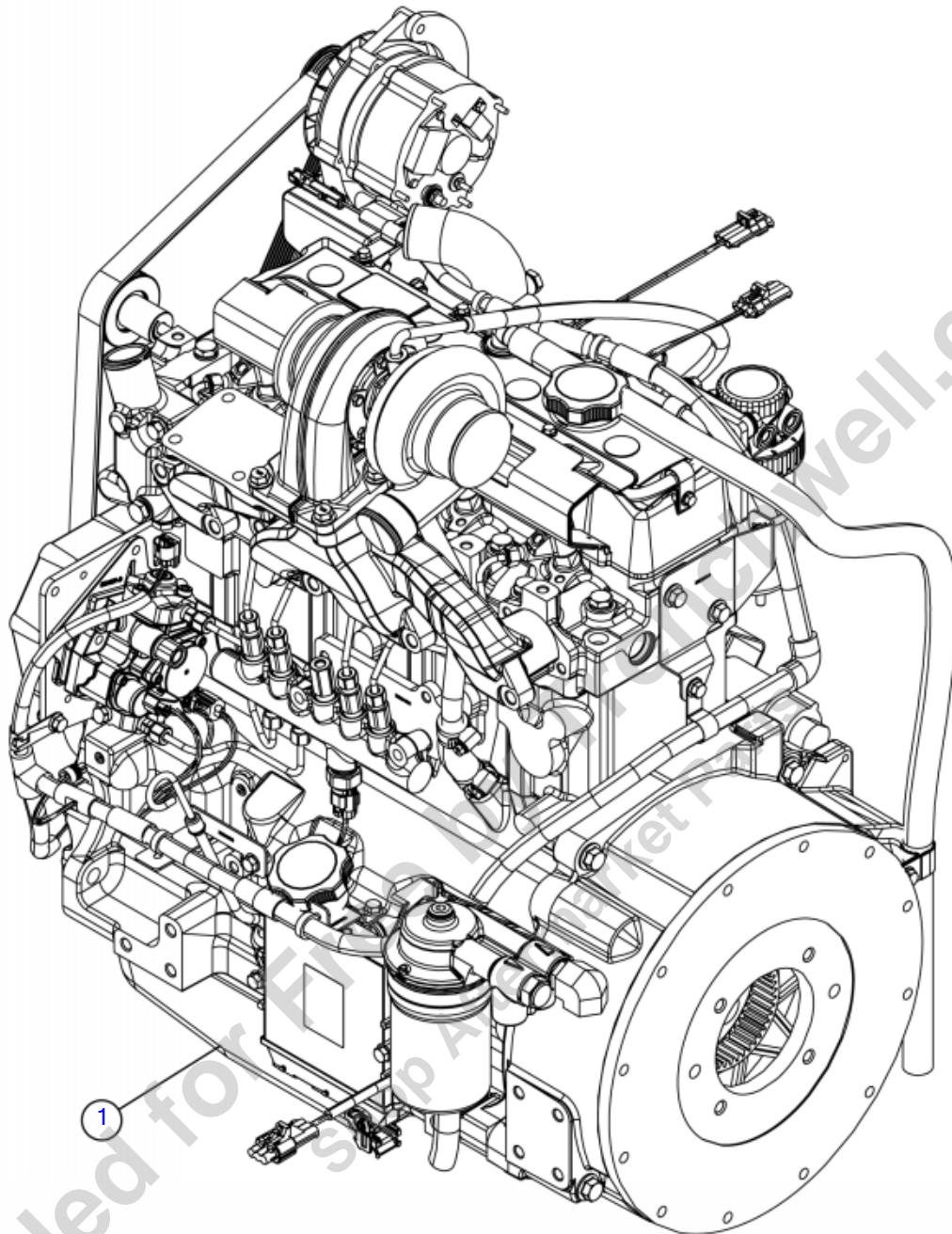


Illustration No: 296426703--Not For Ordering

Engine - Non Cab

Fig 04-01

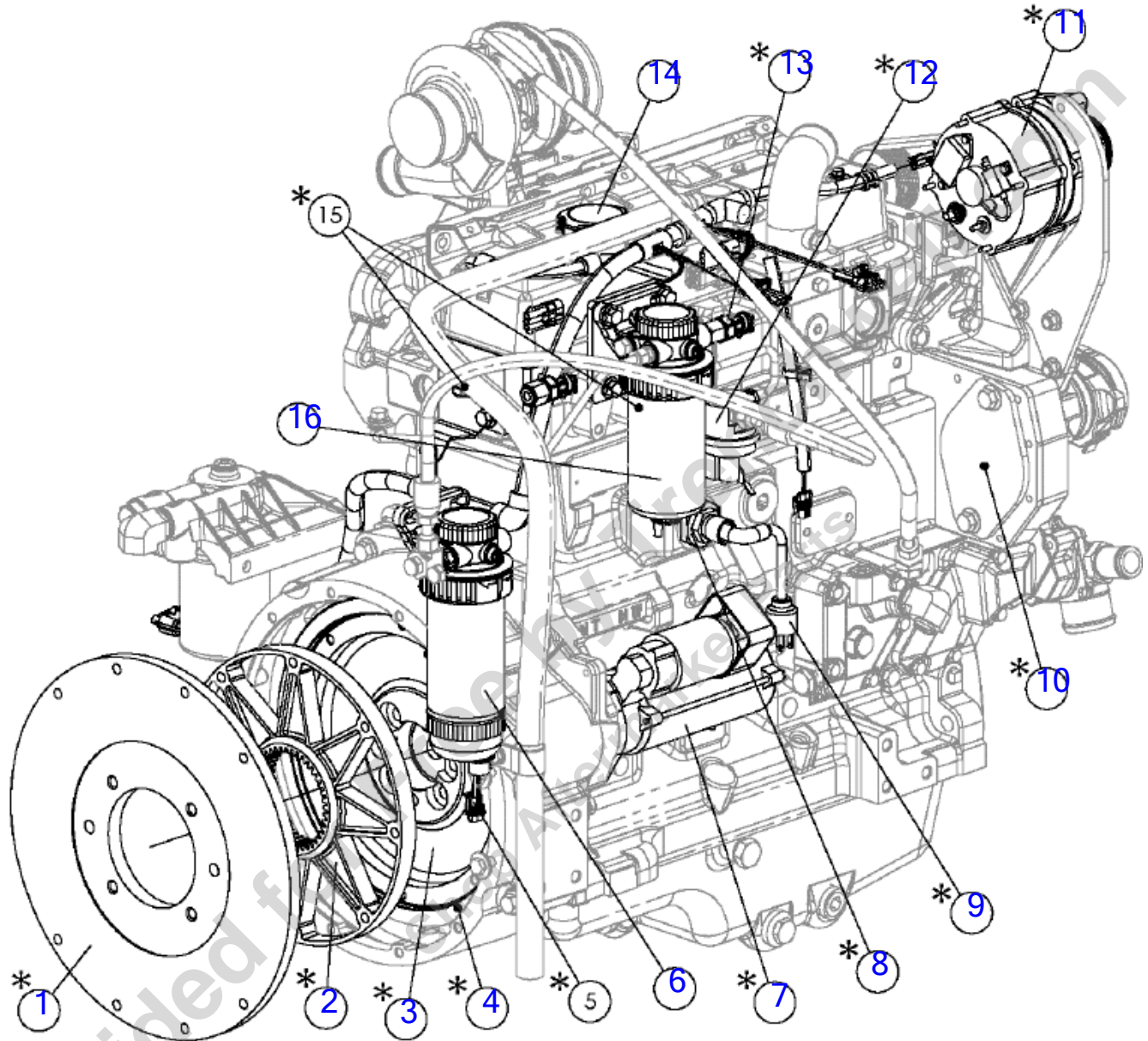
REF NO.	PART NO.	DESCRIPTION	QTY.	REMARKS
1	296426703	ASSEMBLY-JOHN DEERE 125 HP 4045 TIER III WO/AC	1	Breakdown Fig 4-1T01

Provided for Free by Trenchwell.com
Shop Aftermarket Parts

Breakdown - Engine Tier 3 Non Cab

Fig 04-01T01

* Under warranty, these individual parts and/or assemblies must be ordered through your local engine service center and replaced by a certified engine technician. Any work performed by a non-certified technician may void engine warranty.



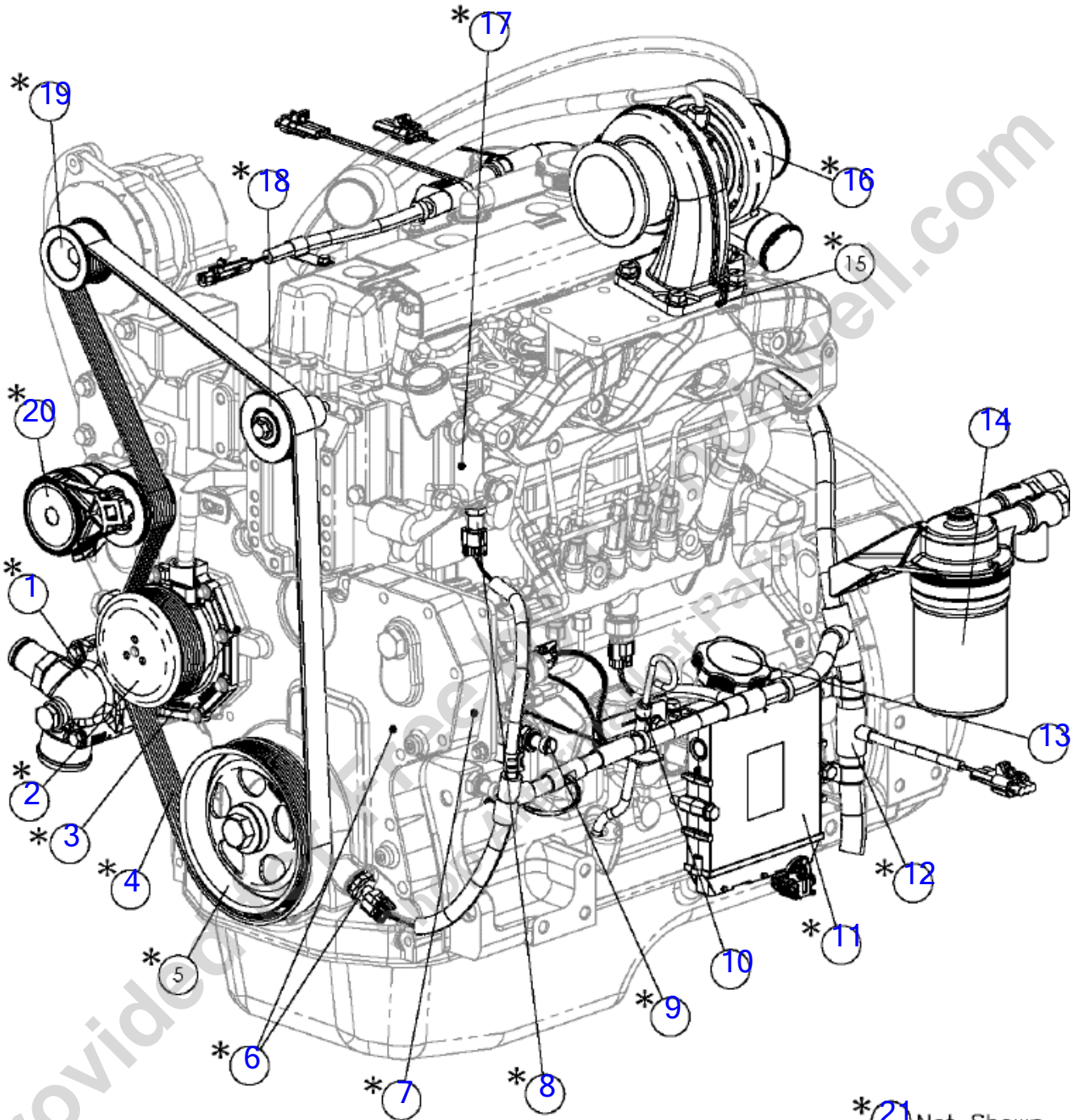
Breakdown - Engine Tier 3 Non Cab

Fig 04-01T01

REF NO.	PART NO.	DESCRIPTION	QTY.	REMARKS
1	609531001	MOUNTING PLATE-#4SAE C PUMP	1	Certified Technician Required.
2	220075001	FLANGE - 65 FLE-PA 10in FLYWHEEL	1	Certified Technician Required.
3	131959019	FLYWHEEL	1	Certified Technician Required.
4	131959021	GEAR-FLYWHEEL	1	Not Shown. Certified Technician Required.
5	296338965	SENSOR	1	Water In Fuel. Certified Technician Required.
6	626273001	ELEMENT-PRIMARY FUEL FILTER	1	
7	296380038	STARTER	1	Certified Technician Required.
8	296278048	COOLANT HEATER	1	Certified Technician Required.
9	296254513	CORD - POWER	1	Certified Technician Required.
10	296474054	O-RING - AUXILIARY PUMP	1	Not Shown. Certified Technician Required.
11	296332439	ALTERNATOR, 12 VOLT, 75 AMP, ISKRA	1	Certified Technician Required.
12	180011696	PUMP-FUEL TRANSFER	1	Certified Technician Required.
13	296278209	FUEL FILTER PRESSURE SENSOR	1	Certified Technician Required.
14	131959031	CAP-OIL FILLER	1	
15	296278210	THERMOCOUPLE	2	Air. Not Shown. Certified Technician Required.
16	626274001	FILTER ASSEMBLY-SECONDARY FUEL	1	
	296426702	ENGINE-125 HP WO/AC	1	Includes Ref. #'s 1-16.

Breakdown - Engine Tier 3 Non Cab
Fig 04-01T02

* Under warranty, these individual parts and/or assemblies must be ordered through your local engine service center and replaced by a certified engine technician. Any work performed by a non-certified technician may void engine warranty.



* (21) Not Shown.

* (22) Not Shown.

Breakdown - Engine Tier 3 Non Cab

Fig 04-01T02

REF NO.	PART NO.	DESCRIPTION	QTY.	REMARKS
1	180005697	PUMP WATER	1	Certified Technician Required.
1	(608324001)	WATER PUMP	1	Certified Technician Required.
2	131959077	PULLEY-WATER PUMP	1	Certified Technician Required.
3	131959051	GASKET-WATER PUMP	1	Not Shown. Certified Technician Required.
4	296454020	V-BELT, FAN BELT	1	Certified Technician Required.
5	296272987	PULLEY	1	Crankshaft. Certified Technician Required.
6	163622479	MAGNET PICKUP	2	One Not Shown. Certified Technician Required. Located Under Fuel Pump.
7	296433703	FUEL TEMPERATURE SENSOR	1	Not Shown. Certified Technician Required. Located Under Fuel Pump.
8	180005687	SWITCH TEMP	1	Coolant. Certified Technician Required.
9	180005696	SENSOR-OIL PRESSURE	1	Certified Technician Required.
10	152009001	DIPSTICK	1	
11	180011691	ENGINE CONTROLLER	1	Certified Technician Required.
12	296433676	ENGINE HARNESS	1	Certified Technician Required.
13	296332462	OIL CAP	1	
14	618429001	ELEMENT OIL FILTER 500 HRS	1	
15	296254515	GASKET	1	Not Shown. Certified Technician Required.
16	296433704	TURBOCHARGER	1	Certified Technician Required.
17	296338839	THERMOSTAT	1	Not Shown. Certified Technician Required. Located In Thermostat Housing.
18	296251849	PULLEY	1	Idler. Certified Technician Required.
19	296454260	PULLEY	1	Alternator. Certified Technician Required.
20	296278205	SHEAVE-BELT TENSIONER	1	Certified Technician Required.
21	628013001	HARNESS-JD6068 INTERMEDIATE	1	Not Shown. Certified Technician Required.
22	131959047	SHEAVE	1	Fan. Not Shown. Certified Technician Required.
	296426702	ENGINE-125 HP WO/AC	1	Includes Ref. #'s 1-22.

Engine - Cab Tier 3

Fig 04-02

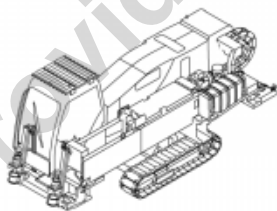
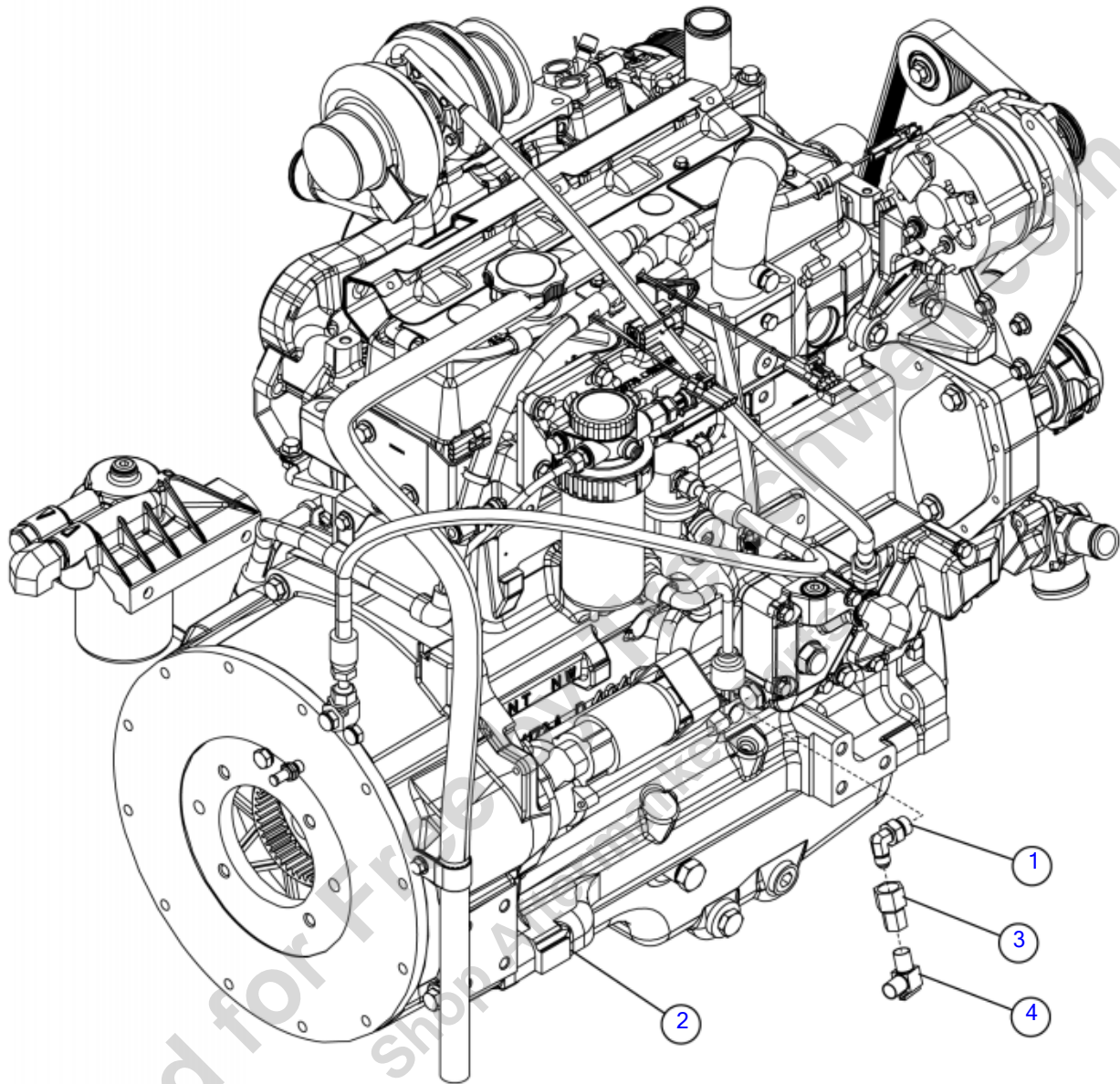


Illustration No: 296426705--Not For Ordering

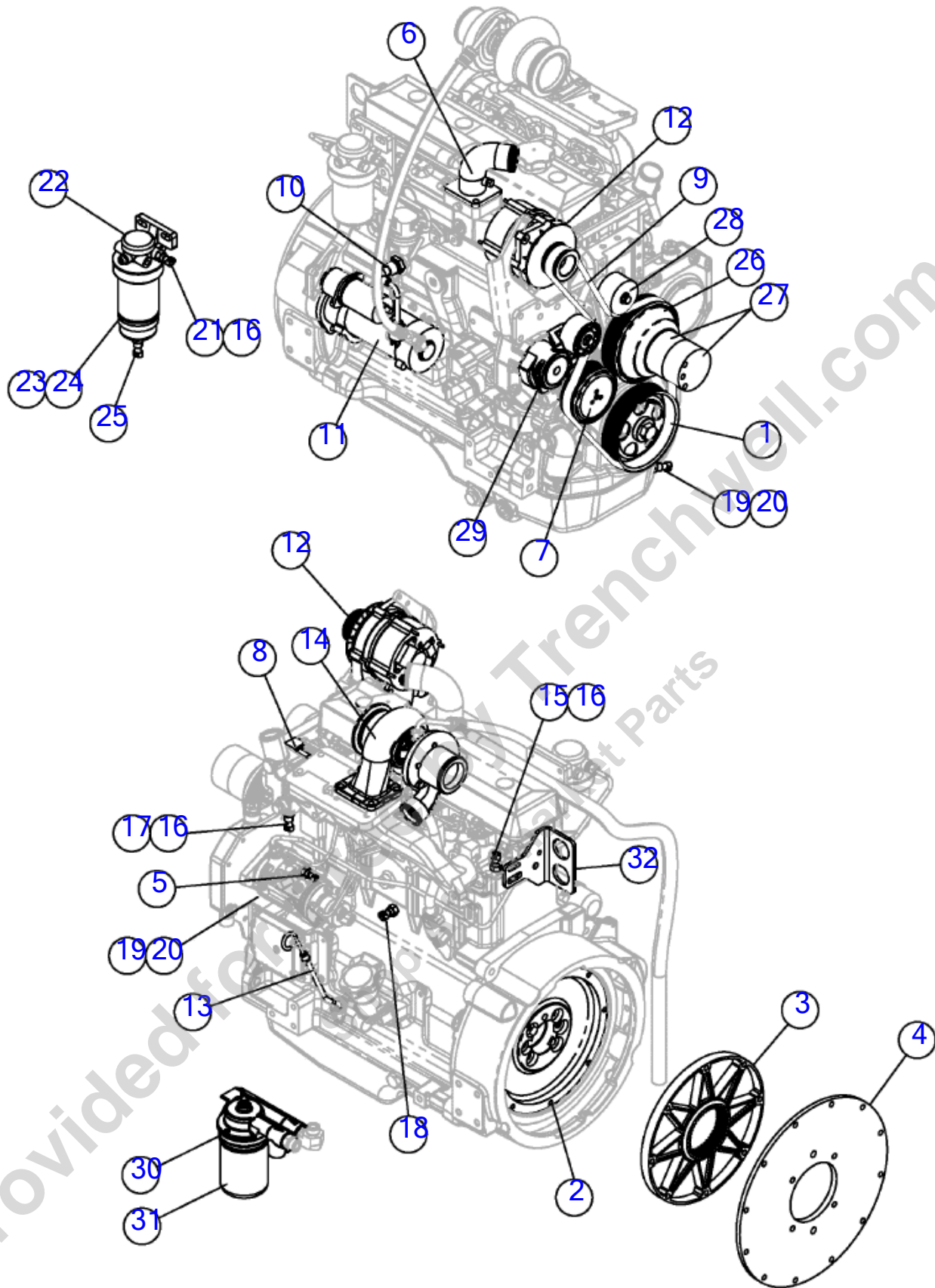
Engine - Cab Tier 3

Fig 04-02

REF NO.	PART NO.	DESCRIPTION	QTY.	REMARKS
1	269873001	FITTING - 90 - 6MJ X M 18 X 1.5MORBA	1	
2	296426704	ENGINE-125 HP W/AC	1	Breakdown Fig 4-2T01
3	61455001	FITTING-3/8FX6 JIC FS STR	1	
4	82633001	FITTING-HEATER SHUT-OFF	1	

Provided for Free by Trenchwell.com
Shop Aftermarket Parts

Breakdown - Engine Tier 3 Cab
Fig 04-02T01



Breakdown - Engine Tier 3 Cab

Fig 04-02T01

REF NO.	PART NO.	DESCRIPTION	QTY.	REMARKS
1	296272987	PULLEY	1	
2	131959019	FLYWHEEL	1	
3	220075001	FLANGE-65 FLE-PA 10"FLYWHEEL	1	
4	609531001	MOUNTING PLATE-#4SAE C PUMP	1	
5	296433703	FUEL TEMPERATURE SENSOR	1	
6	296272989	AIR INTAKE	1	
6	296251840	GASKET	2	
7	131959077	PULLEY-WATER PUMP	1	
7	131959079	SCREW-M6X12	3	
8	180005647	THERMOSTAT	1	Includes Gasket
8	296338840	GASKET-THERMOSTAT	1	
9	296380034	FAN BELT	1	
10	296278048	COOLANT HEATER	1	
10	296254513	CORD - POWER	1	
11	296380038	STARTER	1	
12	296332439	ALTERNATOR, 12 VOLT, 75 AMP, ISKRA	1	
13	152009001	DIPSTICK	1	
14	296433704	TURBOCHARGER	1	
14	296254515	GASKET	1	
15	296278210	THERMOCOUPLE	1	
16	296433638	O-RING FOR CRANKCASE PRESSURE SENSOR	3	
17	180005687	SWITCH TEMP	1	
18	180005696	SENSOR-OIL PRESSURE	1	
19	163622479	CRANKSHAFT SENSOR	2	
20	296254526	O - RING	2	
21	296278209	FUEL FILTER PRESSURE SENSOR	1	
22	626272001	FILTER ASSEMBLY-PRIMARY FUEL	1	Includes Items 23 thru 25
23	626273001	ELEMENT-PRIMARY FUEL FILTER	1	
23	626275001	ELEMENT-SECONDARY FUEL FILTER-WATER SEPARATOR	1	
24	296272995	SEDIMENT BOWL	1	
25	296338965	SENSOR	1	
26	131959047	SHEAVE .	1	
27	280971001	SPACER - 1 3/4in ENGINE FAN	2	
28	296302389	BUSHING	1	
28	296251849	PULLEY	1	
28	296302387	BUSHING	1	
28	296302390	BOLT HFLGHCS 10.9 M10X1.50X65	1	
29	296278205	SHEAVE-BELT TENSIONER	1	
30	296433728	FILTER HEAD	1	Includes Gasket
30	(296433705)	FILTER HEAD	1	Includes Gasket
30	296338842	OIL FILTER GASKET	1	
31	618429001	ELEMENT OIL FILTER 500 HRS	1	
	296278217	AC COMPRESSOR	1	Includes Clutch Kit, Stator & Compressor (Not Shown)
	296426704	ENGINE-125 HP W/AC	A/R	Includes All Items Listed Above

Engine Mount

Fig 04-03

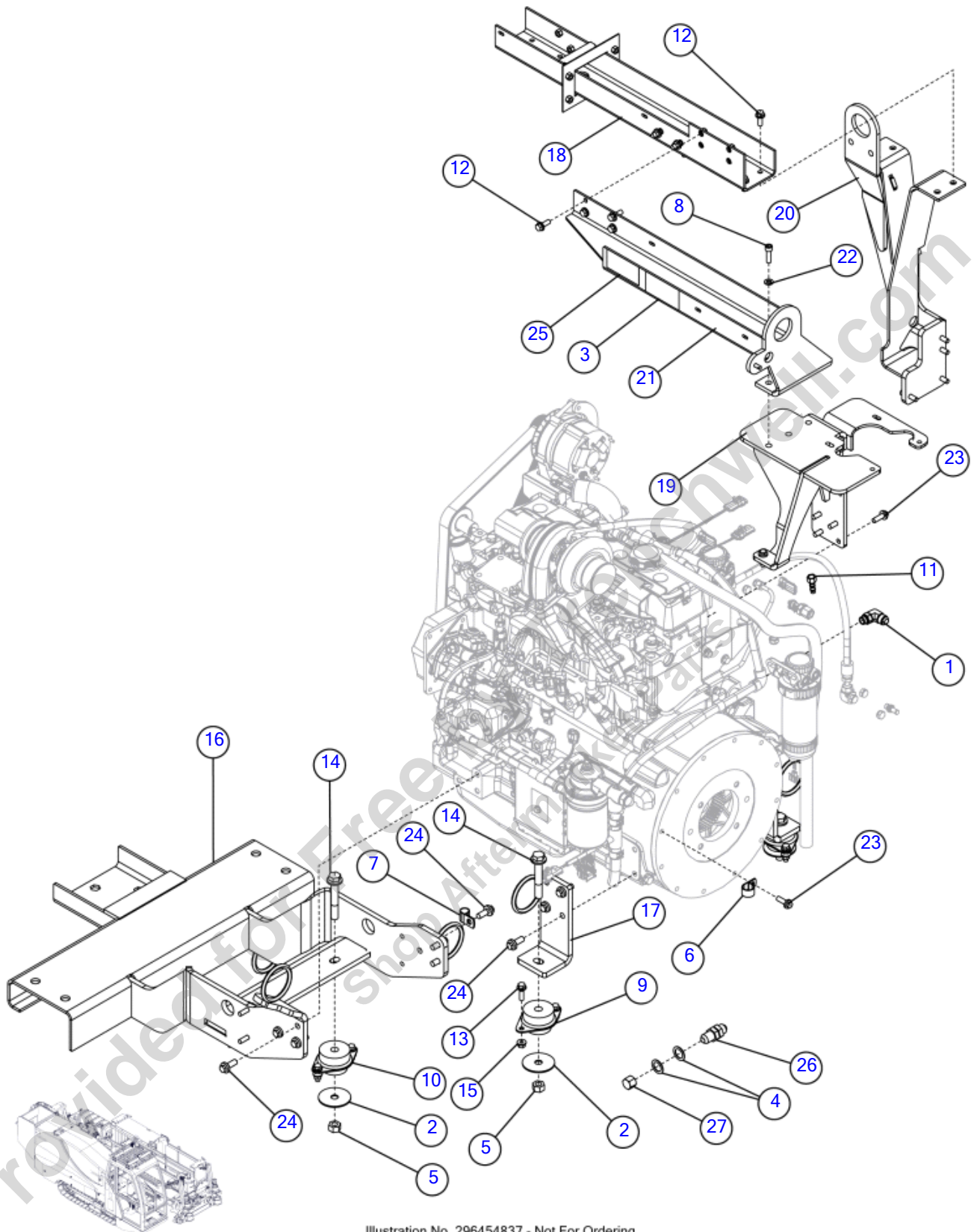


Illustration No. 296454837 - Not For Ordering

Engine Mount

Fig 04-03

REF NO.	PART NO.	DESCRIPTION	QTY.	REMARKS
1	100351001	FITTING-90-10MJ-M18X1.5MORBA	1	
2	220203001	SLUG- .125 THICK ENGINE MOUNT	4	
3	2326315	DECAL WARNING	1	Domestic
3	2326I315	DECAL WARNING	1	International
4	240756001	WASHER-SERRAID 1 3/8 ODX7/8ID	2	
5	250513001	NUT - 5/8NC Gr8 TOP LOCK Y/ZINC	4	
6	2595009	CLAMP-1 1/4 HOSE #7701164	1	
7	2595019	CLAMP-HOSE, 3/4in W/ 17/32 HOLE, VINYL	1	
8	270087001	SCREW SHCS M10 1.50 X 35 12.9 PLN D912	7	
9	296274659	ISOLATOR - ENGINE RED	2	
10	296274660	ISOLATOR - ENGINE WHITE	2	
11	296280466	FITTING-5FS JIC X 6 HOSE BARB-ST	1	
12	296300772	SCREW HFS .38-16X1.00 GR8 YZ	8	
13	296300773	SCREW-HFS-.38-16X1.25-GR8-YZ	10	
14	296300810	SCREW-HFS-.63-1X4.00-GR8-YZ	4	
15	296300850	NUT-HEXFLGTL-.38-16-G-YZ	10	
16	296378241	MOUNT - FRONT TIER 4F JD ENGINE	1	
17	296426558	WELDMENT - ENGINE MOUNT	2	
18	296426683	WLDMT-WIREWAY CHANNEL SERIES 3 TIER III	1	
19	296426736	WELDMENT-REAR ENGINE LIFT	1	
20	296426743	WELDMNT- ENGINE FRONT LIFT BRKT	1	
21	296426748	WELDMENT-REAR WIREWAY CHANNEL	1	
22	506046010	WASHER-FLAT,M10,YZ,D125A	7	
23	507612030	SCREW-HFS,M10-1.50X30,10.9,YZ,ANSI,B18.2.3.9M,FT	6	
24	507613030	SCREW-HFS,M12-1.75X30,10.9,YZ,ANSI,B18.2.3.9M,PT	14	
25	7000G712	DECAL-COOLANT SPECS NOTICE	1	
26	77734001	FITTING-10M JIC BULKHEAD STR.	1	
27	78062001	FITTING-10F JIC CAP NUT	1	

Radiator Charge Tubes

Fig 04-04

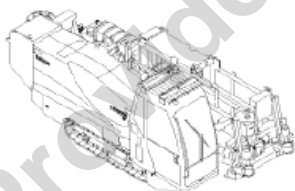
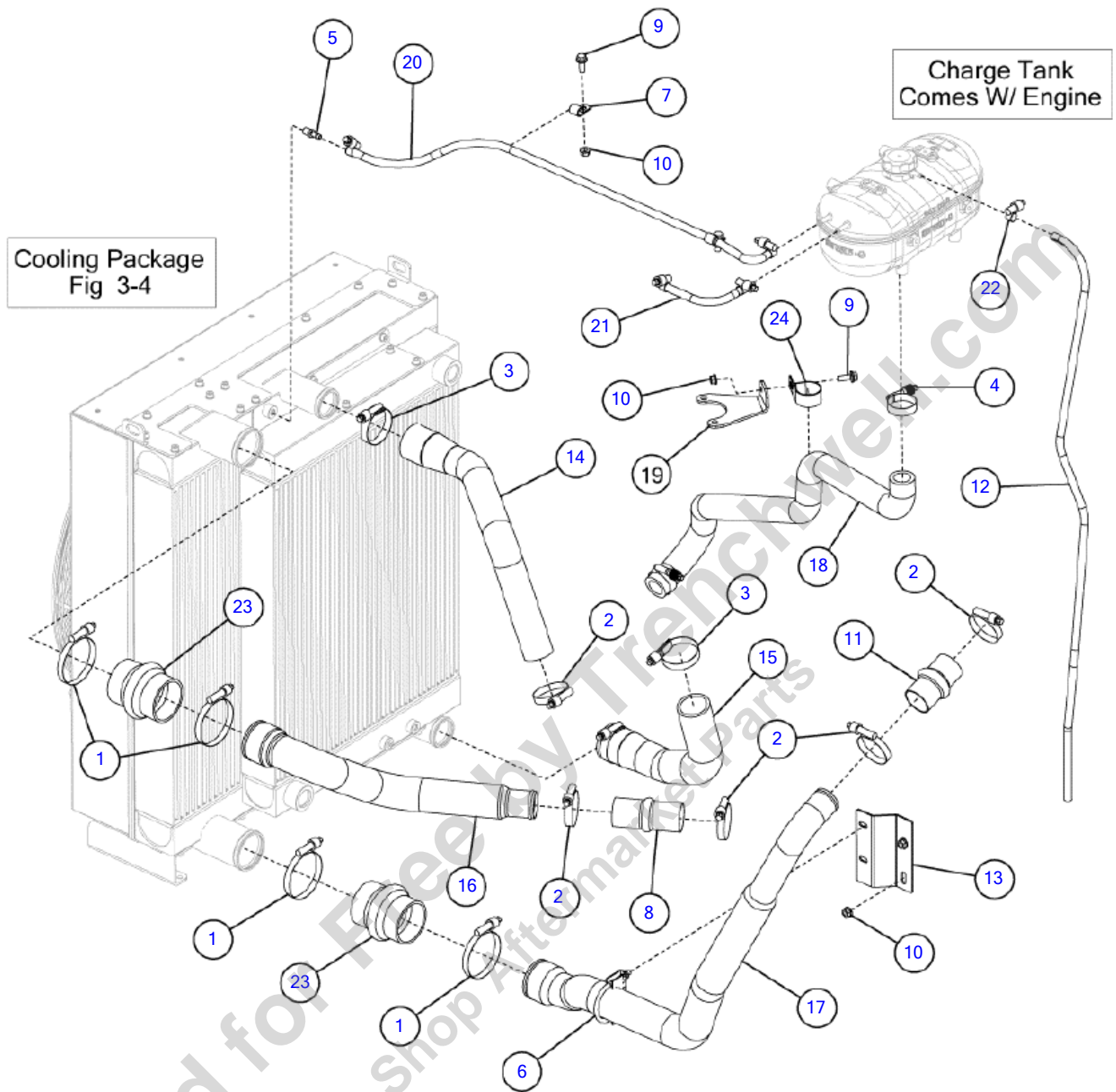


Illustration No. 296504035 - Not For Ordering

Radiator Charge Tubes

Fig 04-04

REF NO.	PART NO.	DESCRIPTION	QTY.	REMARKS
1	113095001	HOSE CLAMP-CONST.TRQ. CT350L	4	
2	116769001	CLAMP - CON TORQUE 1 3/4 - 2 5/8	5	
3	124722001	HOSE CLAMP-CONSTANT TORQUE	3	
4	157941001	CLAMP - CON TORQUE 1 1/4 - 2 1/8	2	
5	242619001	FITTING-BRASS1/4MNPTX5/16 BAR	1	
6	2609007	MUFFLER CLAMP-2 1/2"	1	
7	279014001	HOSE CLAMP - 5/8 W/13/32 HOLE	2	
8	280917001	CONNECTOR - CAC HUMP HOSE	1	
9	296300772	SCREW HFS .38-16X1.00 GR8	3	
10	296300895	NUT, HEXFLG-.38-16-GR8-YZ	5	
11	296358120	HOSE 2" HUMP - 4.0"	1	
12	296426590	HOSE - SURGE TANK OVERFLOW JD 4045	1	
13	296426671	BRACKET - LOWER CAC TUBE SUPPORT	1	
14	296426672	HOSE-RADIATOR UPPER	1	
15	296426673	HOSE-RADIATOR LOWER SERIES 3 TIER III JD 4045	1	
16	296426674	TUBE-CAC UPPER SERIES 3 TIER III JD 4045	1	
17	296426675	TUBE-CHARGE AIR LOWER SERIES III TIER III JD 4045	1	
18	296426678	HOSE-COOLING SYSTEM FILL SERIES 3 TIER III	1	
19	296426695	PLATE-BOTTOM FILL HOSE SUPPORT	1	
20	296426708	HOSE-COOLING PACKAGE VENT JD 4045 TIER III SERIES	1	
21	296426709	HOSE-SURGE TANK PLUG JD 4045 TIER III SERIES 3	1	
22	296486965	CLAMP - CON. TORQUE 7/16 - 25/32	5	
23	617884001	HOSE- HUMP CAC 3.00 X 3.00 - 4.38	2	
24	624901001	CLAMP-HOSE P-1 3/4 W/.531 HOLE	1	

Air Cleaner
Fig 04-05

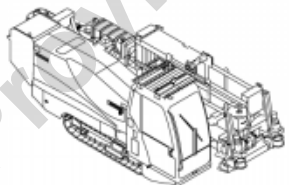
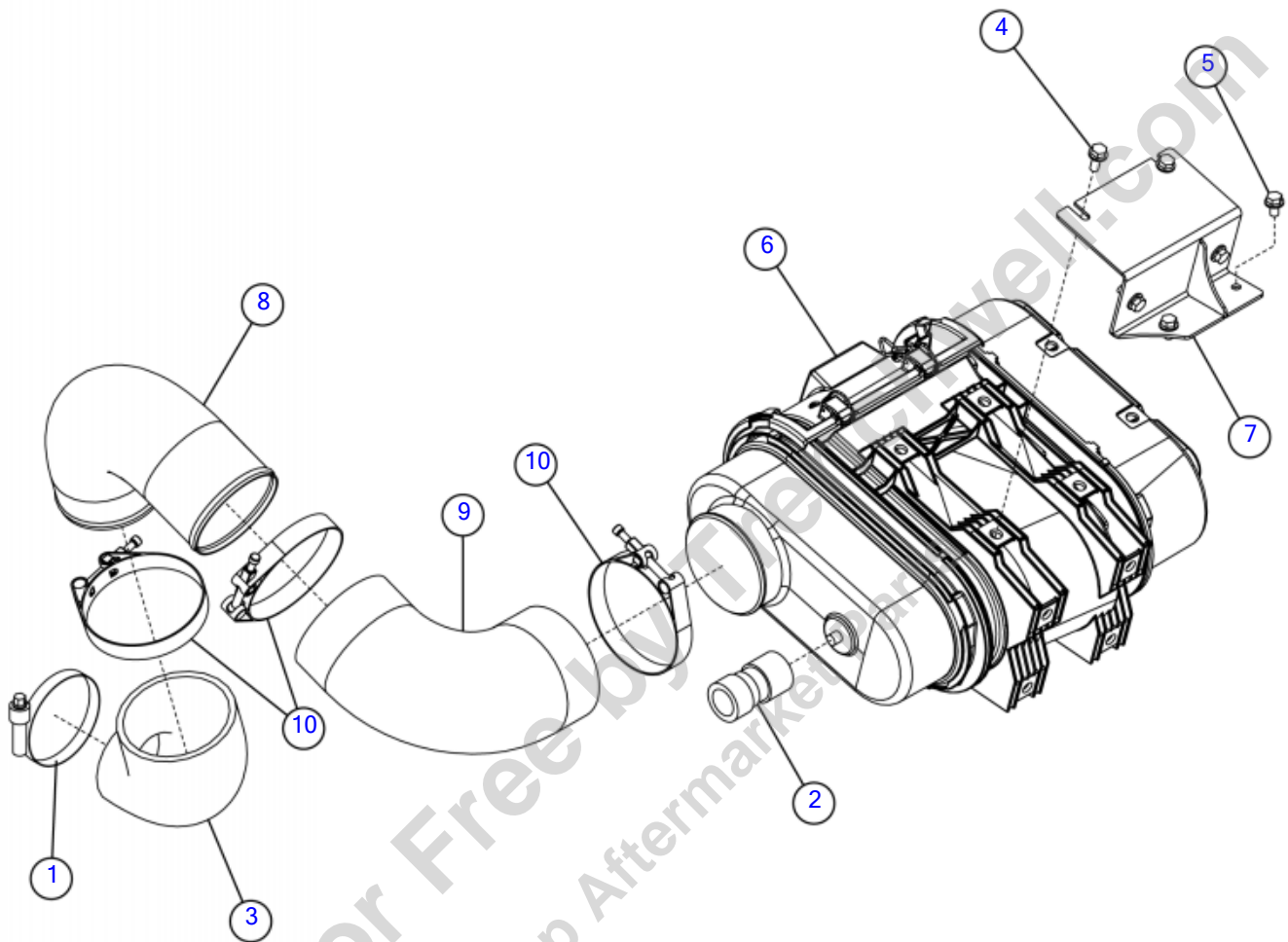


Illustration No: 296426676-Not For Ordering

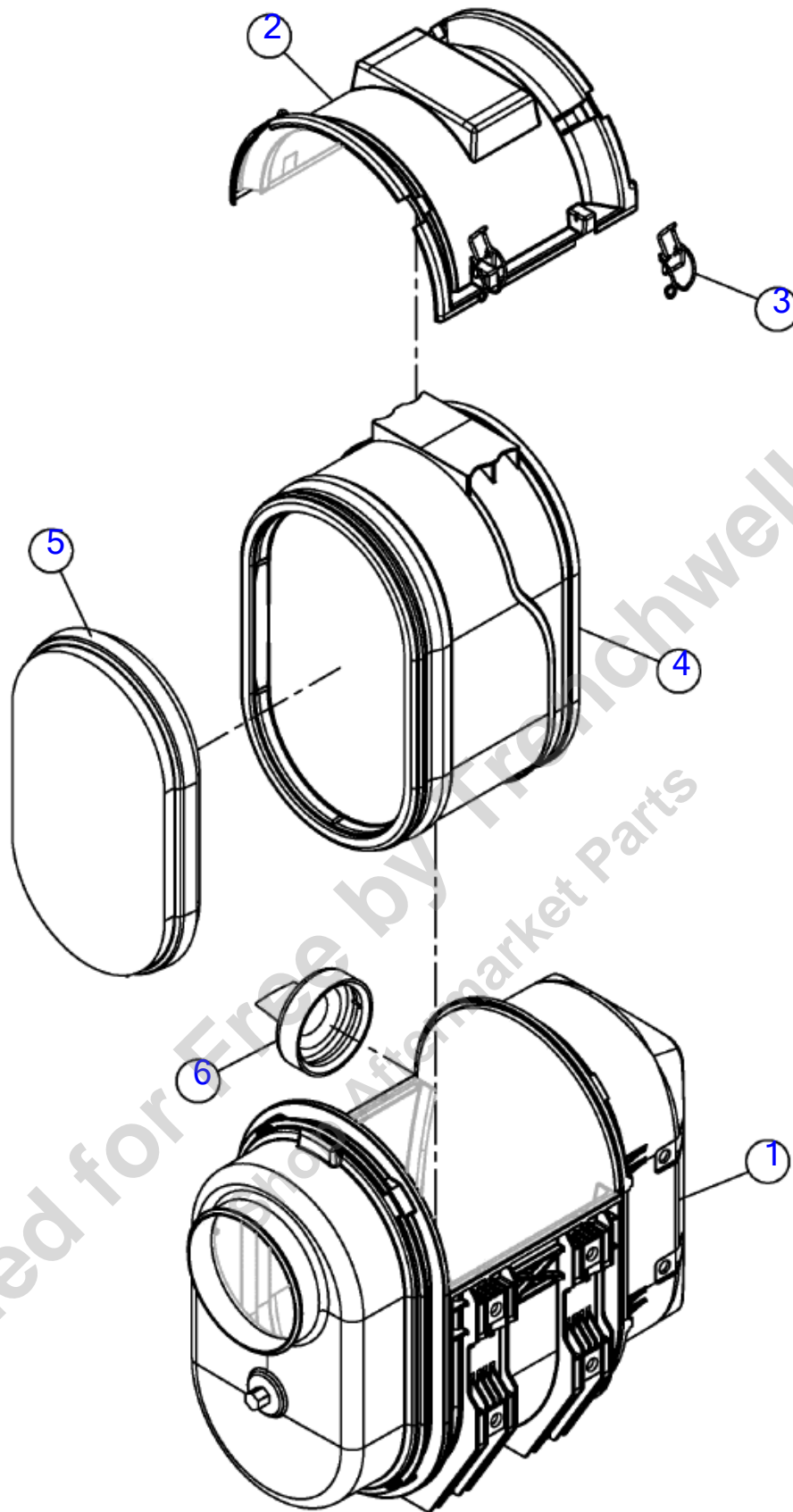
Air Cleaner
Fig 04-05

REF NO.	PART NO.	DESCRIPTION	QTY.	REMARKS
1	113095001	HOSE CLAMP-CONST.TRQ. CT350L	1	
2	113557001	INDICATOR AIR FLOW - 30in	1	
3	280923001	ELBOW - 4" - 3" 90 DEG. REDUCER	1	
4	296300762	SCREW HFS .31 - 18 X .75 GR8 YZ	4	
5	296300859	SCREW HFS .31 - 18 X .50 GR8 YZ	2	
6	296347030	AIR CLEANER	1	Breakdown Fig. 4-5T01
7	296412184	WELDMENT - AIR CLEANER MOUNT	1	
8	296426677	TUBE-AIR CLEANER-TURBO SERIES 3 TIER III JD 4045	1	
9	602889001	CURVE HOSE-4"ID 4.13R RUBBER90	1	
10	91432001	CLAMP - 4 1/2" T-BOLT	3	

Provided for Free by Trenchwell.com
Shop Aftermarket Parts

Breakdown - Air Cleaner

Fig 04-05T01



Breakdown - Air Cleaner

Fig 04-05T01

REF NO.	PART NO.	DESCRIPTION	QTY.	REMARKS
1		BODY HOUSING	1	Not Sold Separately
2	296360687	BODY HOUSING COVER	1	
3	296319715	U CLIP	4	
4	296360688	PRIMARY FILTER POWERCORE	1	
5	296284125	SAFETY FILTER ELEMENT - 9in POWERCORE	1	
6	113055107	VAC. VALVE	1	
	296347030	AIR CLEANER-DONALSON	1	Includes All Items Listed Above

Provided for Free by Trenchwell.com
Shop Aftermarket Parts

Exhaust Tube & Muffler

Fig 04-06

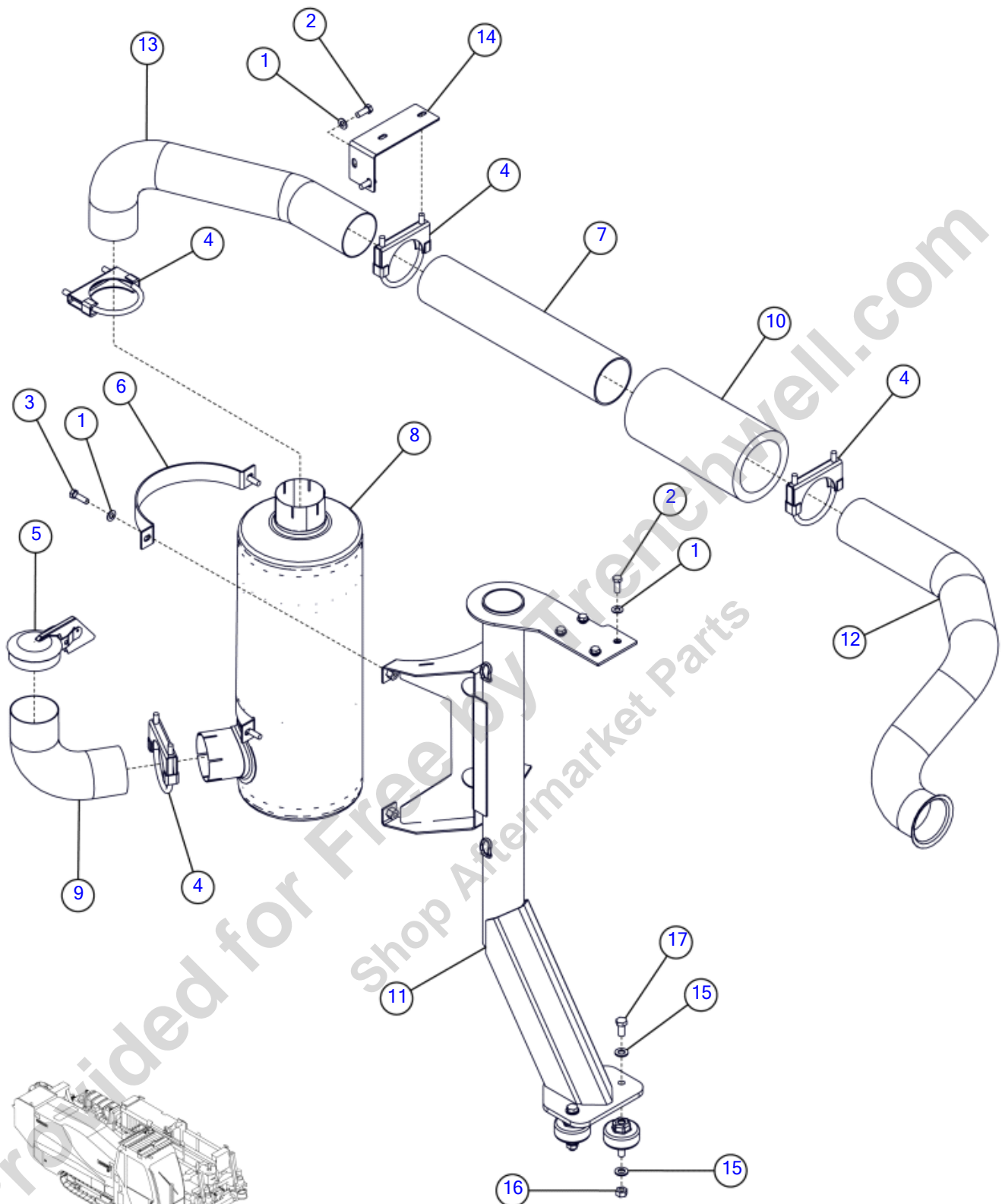


Illustration No: 296426684 - Not For Ordering

Exhaust Tube & Muffler

Fig 04-06

REF NO.	PART NO.	DESCRIPTION	QTY.	REMARKS
1	235713001	WASHER - FLATSTRL - .38 - .41 X .81 - .06-YA-A325	10	
2	235727001	SCREW-HCS-.38-16X1.00-GR8-YZ	6	
3	235736001	BOLT-3/8-16X1 1/4 ZYC	4	
4	2609013	CLAMP-MUFFLER 3 1/2	4	
5	287964001	CAP RAIN 3 1/2in	1	
6	296274676	STRAP - MUFFLER CLAMP	2	
7	296274722	TUBE - 3.5" X 18" FLEX EXHAUST	1	
8	296280907	MUFFLER - 3.5in SIDE OUTLET	1	
9	296280908	ELBOW 90 DEG 3.5in	1	
10	296370379	EXHAUST BLANKET-BELLOWS	1	
11	296426681	WELDMENT- MUFFLER MOUNT SERIER 3 TIER 3	1	
12	296426685	TUBE-3.5 IN EXHAUST SERIES 3 TIER III	1	
13	296426686	TUBE-EXHAUST SERIES 3 TIER III	1	
14	296426687	PLATE-EXHAUST SUPPORT D36X58 &D24X40 SERIES 3	1	
15	506046012	WASHER-FLAT+M12 -ZN+D+125A	6	
16	507090012	NUT-HEX,M12-1.75,CL10,YZ,ISO4032	3	
17	507093025	SCREW HCS M12 1.75 X 25 8.8 YZ ISO4017 FT	3	

Provided for Free by Trenchwell.com
Shop Aftermarket Parts

Engine Electrical Panel

Fig 04-07

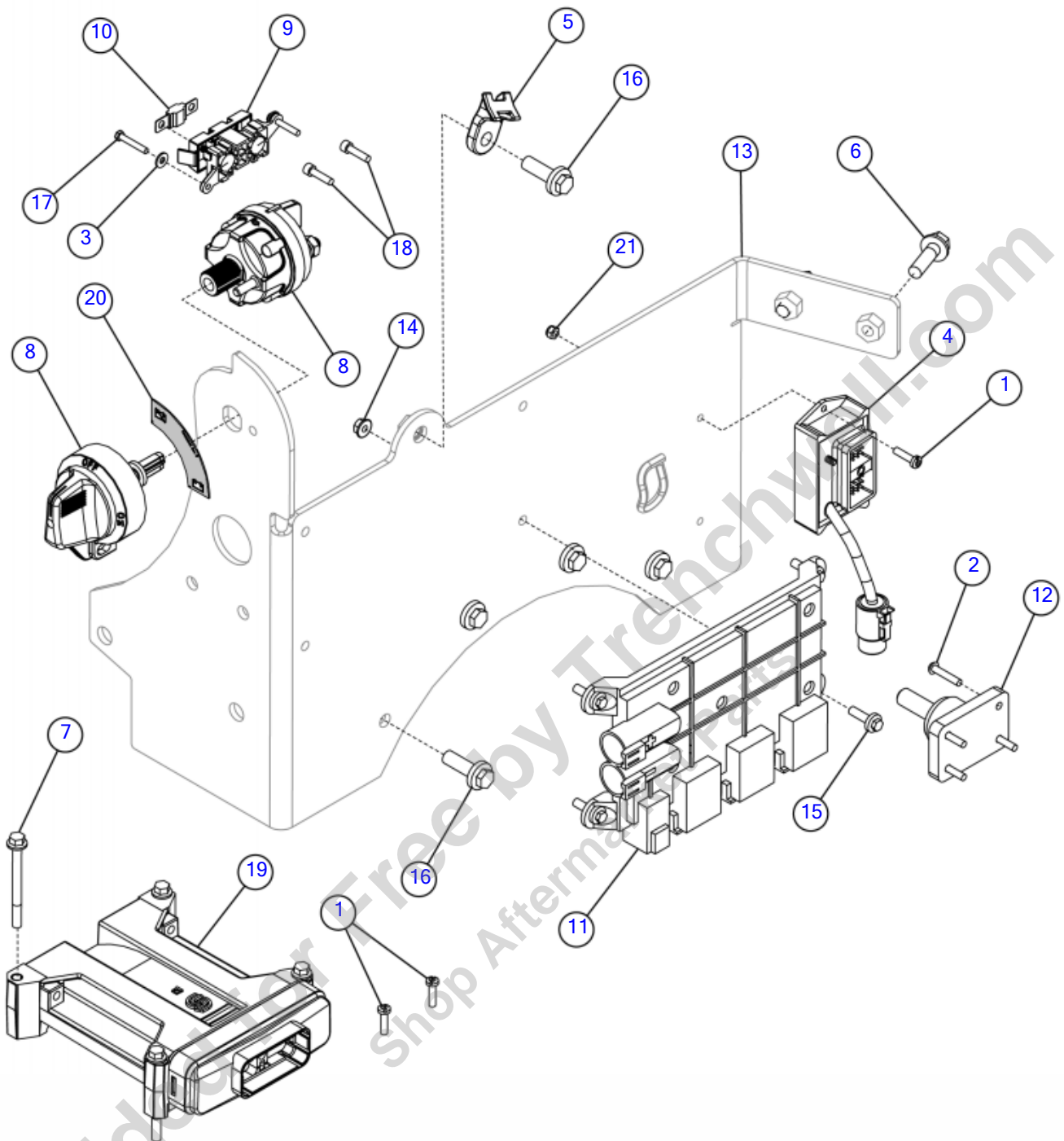


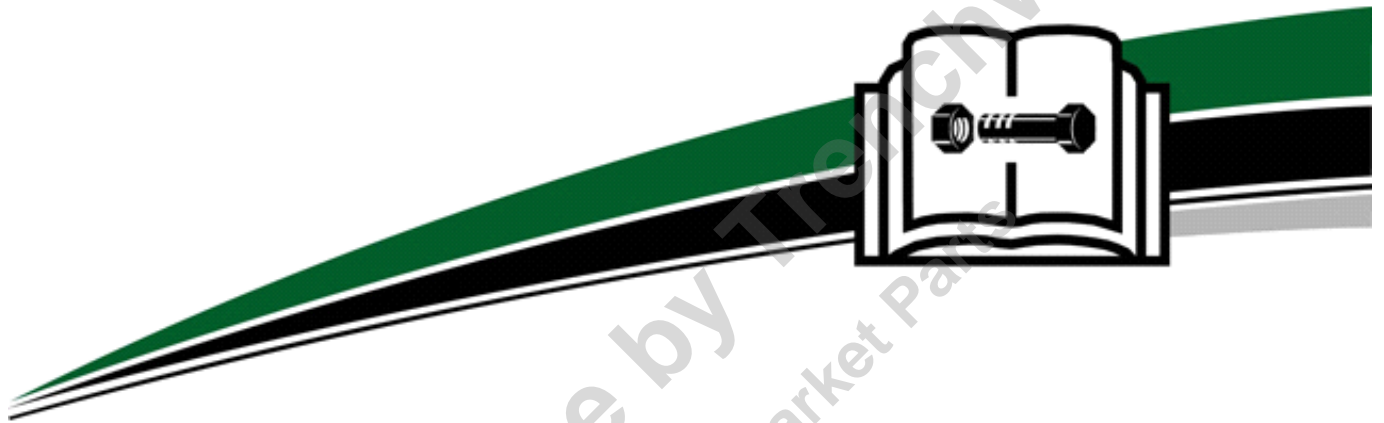
Illustration No. 296454757 - Not For Ordering

Engine Electrical Panel

Fig 04-07

REF NO.	PART NO.	DESCRIPTION	QTY.	REMARKS
1	1802006	BOLT-10-24 X 3/4 RND HD STOVE	4	
2	1802010	SCREW, MCH-10-24X1.00-GR2-CZ-ROUND-SLTD	4	
3	224769001	WASHER-#8 FLAT	2	
4	281526001	BUSS BAR MODULE	1	
5	296276018	MOUNT HELLER MANN TITON	1	
6	296300773	SCREW-HFS-.38-16X1.25-GR8	2	
7	296300925	SCREW-HFS-.25-20X2.75-GR8-YZ	4	
8	296347072	SWITCH-DISCONNECT 300A	1	
9	296347155	MODULE - FUSE HOLDER MIDI	1	
10	296347161	FUSE-80A MIDI	1	
11	296376828	MODULE - FW MURPHY POWER DISTRIBUTION 24V	1	
12	296414290	POSITIVE TERMINAL STUD	1	
13	296454758	WELDMENT-ENGINE ELECTRIC PANEL	1	
14	506986006	NUT HEXFLNG M6 1.00 CL10 ISO4161	4	
15	507610020	SCREW,HFS,M6-1.00X20,10.9,D6921,FT	4	
16	507612030	SCREW-HFS,M10-1.50X30,10.9,ANSI,B18.2.3.9M,FT	5	
17	510369011	SCREW-MCH-8-32X1.00-GR2-YZ-HEX-SLTD	2	
18	601298001	SCREW-#10-24X3/4 SOC HD CAP	2	
19	631863125	CONTROLLER -MC050-110 (UNPROGRAMMED)	1	
20	7000G312	DECAL-BATTERY DISCONNECT SWITCH	1	
21	99042001	NUT-NYLOCK-#10-24-GR2-CZ	2	

Engine Bay Hydraulics & Hood



Engine Bay Hydraulics & Hood

Stack Pump	Fig	05-01
Breakdown-Rotation/Left Track Drive Pump (SN 101-294)	Fig	05-01T01
Breakdown-Thrust/Pullback/Right Track Drive Pmp (SN 101-294)	Fig	05-01T02
Breakdown-Auxiliary/Fan Drive Pump (SN 101-294)	Fig	05-01T03
Breakdown-Charge Filter (SN 101-294)	Fig	05-01T04
Stack Pump (SN 295-)	Fig	05-01R01
Breakdown-Rotation (SN 295-)	Fig	05-01T01R01
Breakdown-Thrust/Pullback (SN 295-)	Fig	05-01T02R01
Breakdown-Auxiliary (SN 295-)	Fig	05-01T03R01
Breakdown-Charge Filter (SN 295-)	Fig	05-01T04R01
Stack Pump (Non-Mud Pump)	Fig	05-01X01
Breakdown-Rotation	Fig	05-01X01T01
Breakdown-Thrust/Pullback	Fig	05-01X01T02
Breakdown-Auxiliary	Fig	05-01X01T03
Breakdown-Charge Filter	Fig	05-01X01T04
Hydraulic Tank	Fig	05-02
Hydraulic Tank (SN 313-422)	Fig	05-02R01
Hydraulic Tank (SN 423-)	Fig	05-02R02
Hydraulic Tank (SN 546-693)	Fig	05-02R03
Hydraulic Tank (SN 694-)	Fig	05-02R04
Breakdown-Sealed Tank (SN 423-)	Fig	05-02T01
Breakdown-10in Clean Out Cover	Fig	05-02T02
Breakdown-8in Clean Out Cover	Fig	05-02T03
Breakdown-6in Clean Out Cover	Fig	05-02T04
Return Filter Manifold	Fig	05-03
Return Filter Manifold (SN 313-)	Fig	05-03R01
Breakdown-Return Filter Head w/ Check Valves	Fig	05-03T01
Torque Limiter & Shuttle Valves (SN 101-1063)	Fig	05-04
Breakdown-Torque Limiter Valve (SN 101-1063)	Fig	05-04T01
Torque Limiter & Shuttle Valves (SN 1064-)	Fig	05-04R01
Breakdown-Torque Limiter Valve (SN 1046-)	Fig	05-04T01R01
Return Valve	Fig	05-05
Breakdown-BypassValve	Fig	05-05T01
Shift Selector Valve	Fig	05-06
Breakdown-Shift Selector Valve	Fig	05-06T01
Fleet - Cellular (SN 101-1061)	Fig	05-07
Breakdown-Pentaband TCU W/ Antenna (SN 101-1061)	Fig	05-07T01
Telematics (SN 1062-, 2001-)	Fig	05-07R01
Hood-Non-Cab (SN 101-729)	Fig	05-08
Hood-Non-Cab (SN 730-1106)	Fig	05-08R01
Hood-Non-Cab (SN 1107-)	Fig	05-08R02
Hood-Cab	Fig	05-09
Hood-Cab (SN 730-1106)	Fig	05-09R01
Hood-Cab (SN 1107-)	Fig	05-09R02
Hood Latch	Fig	05-10
Engine Cooling Package	Fig	05-11
Breakdown-Radiator	Fig	05-11T01
Breakdown-Fan Drive Motor	Fig	05-11T02
Cooler Seals	Fig	05-12

Stack Pump

Fig 05-01

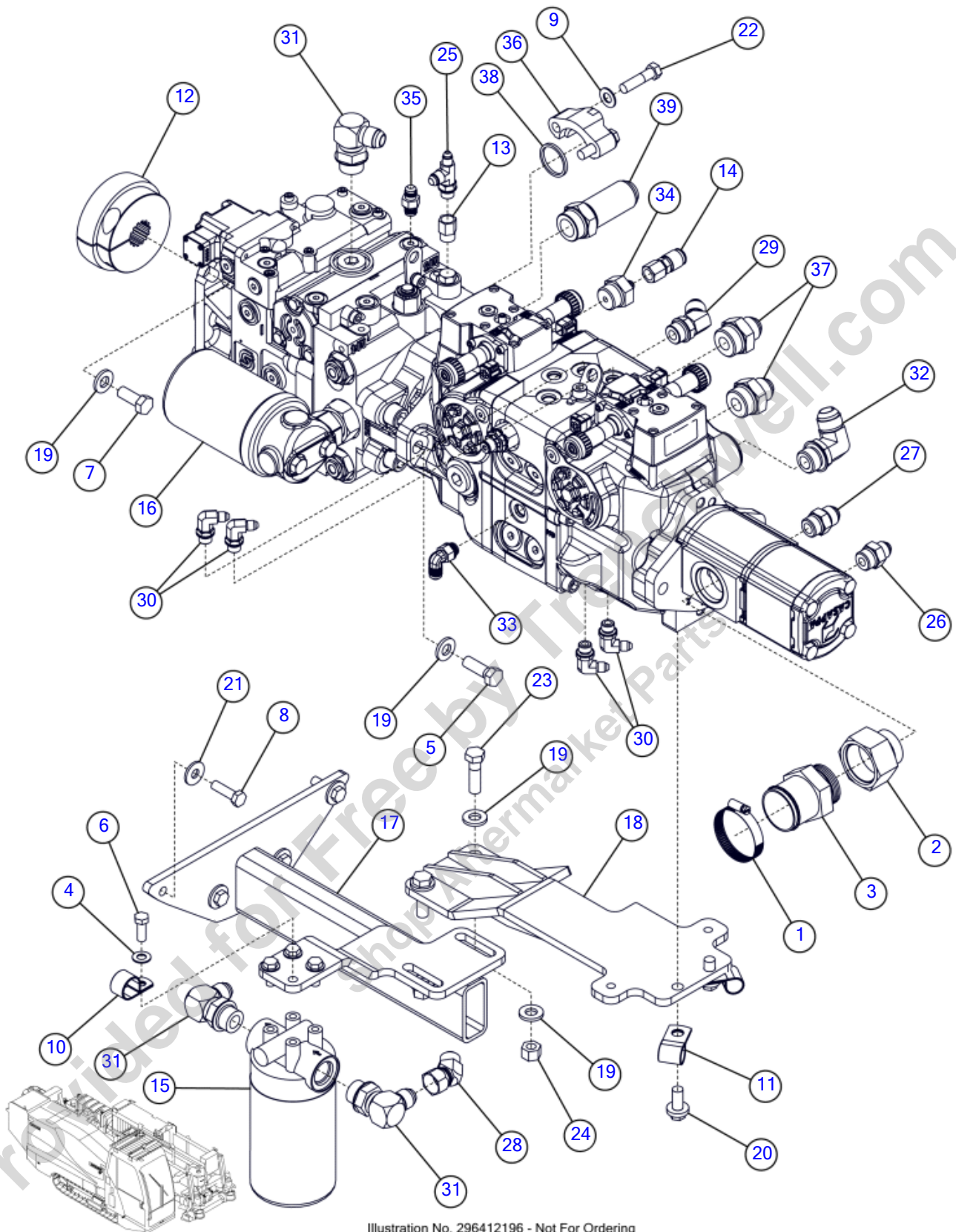


Illustration No. 296412196 - Not For Ordering

Stack Pump

Fig 05-01

REF NO.	PART NO.	DESCRIPTION	QTY.	REMARKS
1	1580013	HOSE CLAMP - WORM GEAR - 2 1/16" - 3"	1	
2	163626338	FITTING - STR-20MORB X 24FORB	1	
3	180006619	FITTING-STR-32BHI-24MORB-2 ID HOSE-STL	1	
4	235713001	WASHER - FLATSTRL - .38 - .41 X .81 - .06-YA-A325	4	
5	235721001	BOLT-1/2-13X1 1/2 GR8 ZINC PLT	2	
6	235727001	SCREW-HCS-.38-16X1.00-GR8-YZ	4	
7	235737001	BOLT-1/2-13X1 1/4 GR8 ZYC	4	
8	249891001	BOLT, M10X35 10.9 HHCS D933 ZNC	4	
9	250515001	WASHER - 7/16 HARD SAE Y/ZINC	8	
10	2595009	CLAMP-1 1/4 HOSE #7701164	1	
11	2595019	CLAMP-HOSE, 3/4in W/ 17/32 HOLE, VINYL	2	
12	278981001	HUB - 14T PUMP DRIVE	1	
13	296279663	FITTING-STR-6MORB-6FORB	1	
14	296280278	FITTING - TEST - 6FSJ - 16MTP WITH ORING	1	
15	296394156	FILTER-OIL ELECTRICAL INDICATOR	1	
16	296462936	PUMP-TRIPLE STACK	1	Breakdown Fig. 5-1T01 Thru 5-1T03
16	(296404038)	PUMP-TRIPLE STACK	1	Breakdown Fig. 5-1T01 Thru 5-1T03
17	296412197	WELDMENT - PUMP STACK SUPPORT	1	
18	296412199	WELDMENT - PUMP SUPPORT	1	
19	485025	WASHER-1/2 FLAT-HARDENED-YZ	10	
20	507613025	SCREW HFS,M12 1.75X25,10.9,YZ,ANSI,B18.2.3.9M,FT	2	
21	508485010	WASHER - FLAT, HARDENED, M10, YZ, JDS130	4	
22	510303016	SCREW-HCS-.44-14X1.75-GR5-YZ	8	
23	510304016	SCREW-HCS-.50-13X1.75-GR5-YZ	2	
24	510317501	NUT-TLHEX-.50-13-B-YZ	2	
25	510512094	FITTING-RTEE-4MJ-6MORBA-6MJ	1	
26	53826001	FITTING-#10M O-RING-#8M JIC ST.	1	
27	53827001	FITTING- 10M O-RING X 10M JIC ST.	1	
28	56724001	FITTING-10JICX10JIC FS 45 DEG.	1	
29	56725001	FITTING-10M X 10M JIC 45 DEG.	1	
30	57950001	FITTING - 90-6MORBA-4MJ	5	
31	59409001	ELBOW-10M JICX12M ADJ. 90 DEG	3	
32	59410001	FITTING-90-12MJ-12MORBA	1	
33	59426001	FITTING - 90 6MJ 6MORBA	1	
34	64168001	FITTING-12MX6 JIC M STR.	1	
35	65565001	FITTING - 6M O-RING X 6M JIC ST.	1	
36	67745001	FITTING - FLGH - 16CD62	4	
37	70008001	FITTING-16M X 12M JIC STR.	4	
38	72895001	O RING-SQ. #16 FLANGE	2	
39	94161001	FITTING-16MJICX16MORING LONG	1	

Stack Pump (SN 295-)

Fig 05-01R01

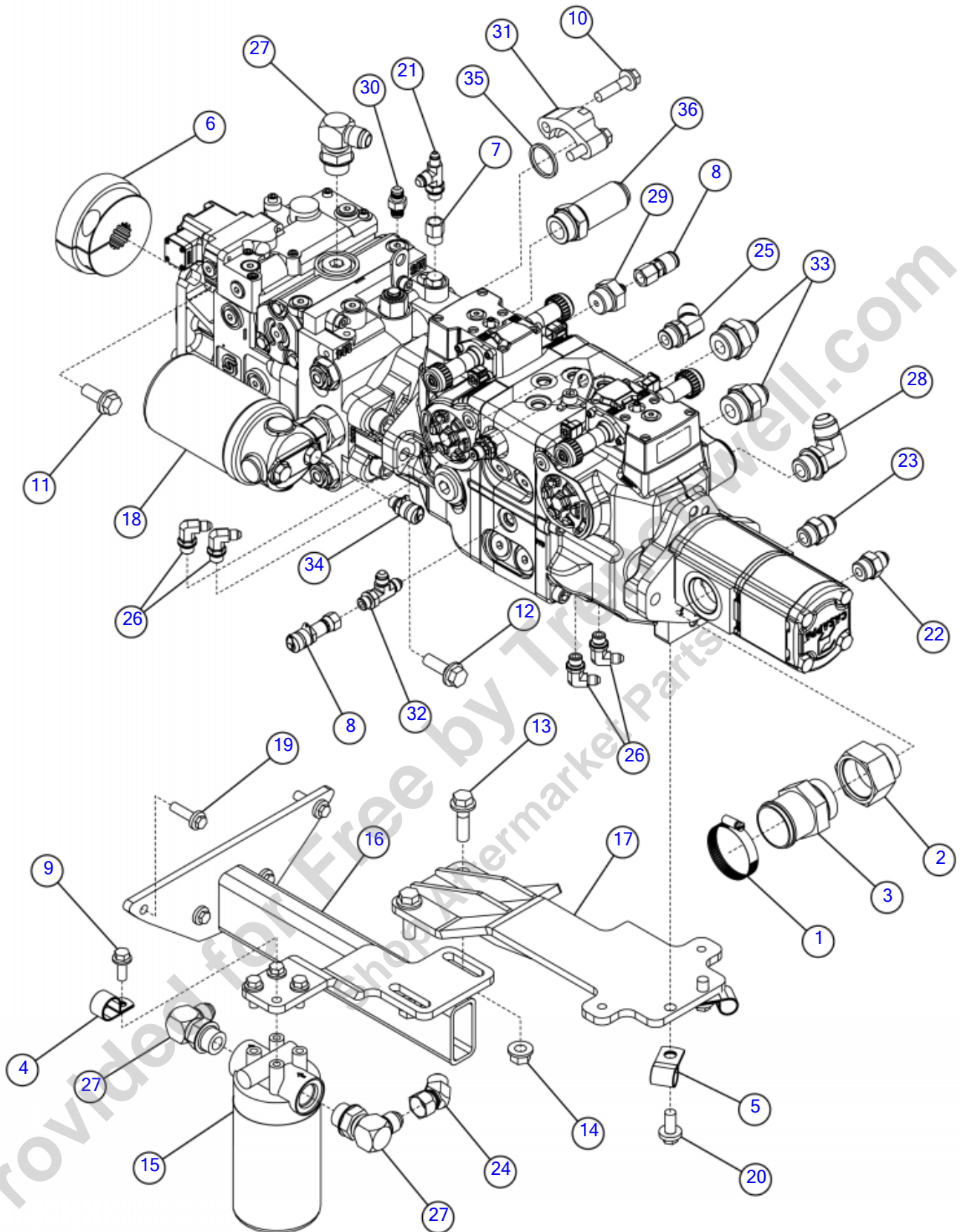


Illustration No. 296412196 - Not For Ordering

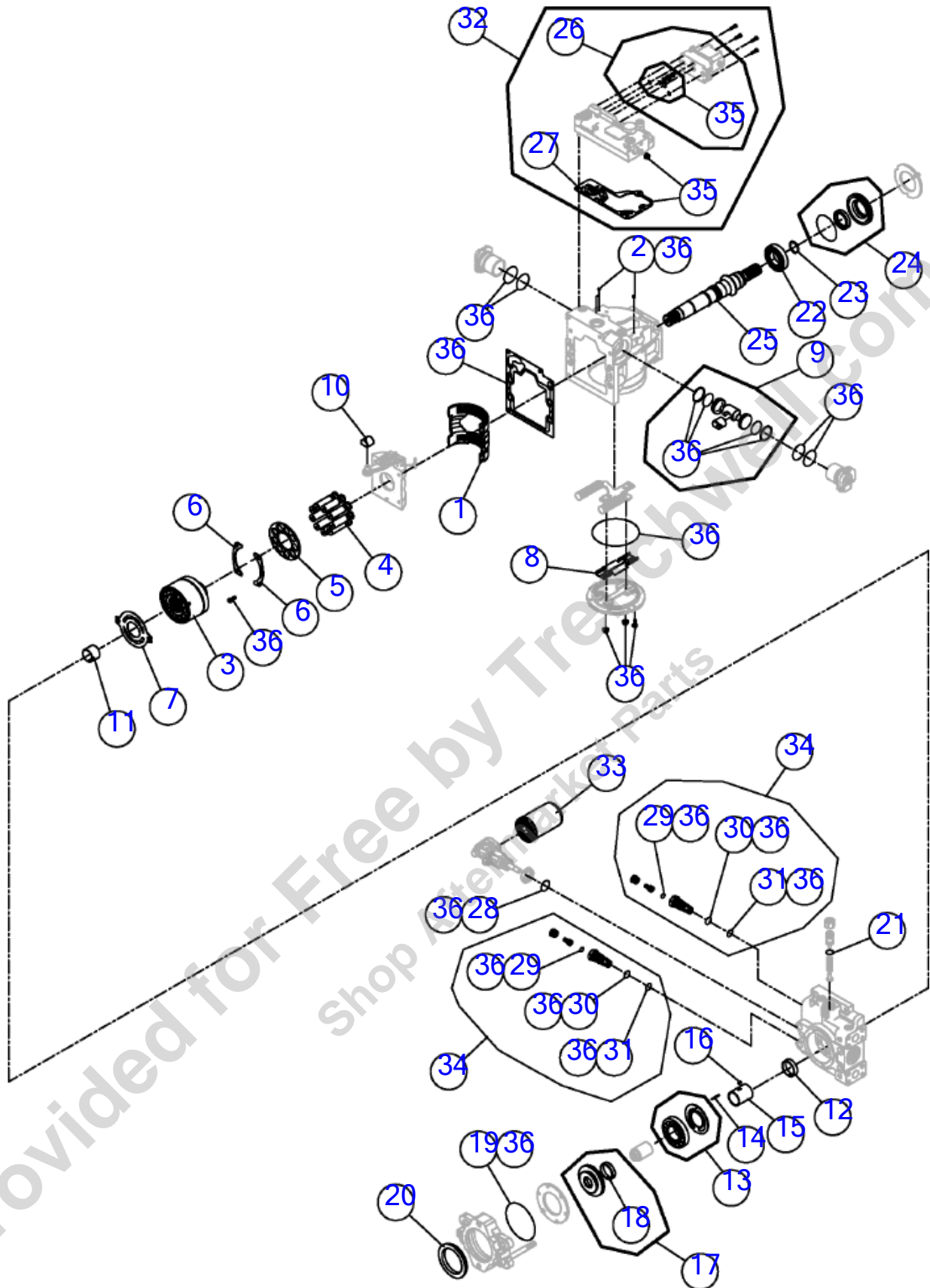
Stack Pump (SN 295-)

Fig 05-01R01

REF NO.	PART NO.	DESCRIPTION	QTY.	REMARKS
1	1580013	HOSE CLAMP - WORM GEAR - 2 1/16" - 3"	1	
2	163626338	FITTING - STR-20MORB X 24FORB	1	
3	180006619	FITTING-STR-32BHI-24MORB-2 ID HOSE-STL	1	
4	2595009	CLAMP-1 1/4 HOSE "P" STYLE	1	
5	2595019	CLAMP-HOSE, 3/4in W/ 17/32 HOLE, VINYL	2	
6	278981001	HUB - 14T PUMP DRIVE	1	
7	296279663	FITTING-STR-6MORB-6FORB	1	
8	296280278	FITTING - TEST - 6FSJ - 16MTP WITH ORING	2	
9	296300772	SCREW HFS .38-16X1.00 GR8 YZ	4	
10	296300783	SCREW-HFS-.44-14X1.75-GR8-YZ	8	
11	296300789	SCREW-HFS-.50-13X1.25-GR8-YZ	4	
12	296300790	SCREW HFS .50 13X1.50 GR8 YZ	2	
13	296300791	SCREW-HFS-.50-13X1.75-GR8-YZ	2	
14	296300851	NUT-HEXFLGTL-.50-13-G-YZ	2	
15	296394156	FILTER-OIL ELECTRICAL INDICATOR	1	
16	296412197	WELDMENT - PUMP STACK SUPPORT	1	
17	296412199	WELDMENT - PUMP SUPPORT	1	
18	296462936	PUMP-TRIPLE STACK SN:000295--	1	Breakdown Fig. 5-1T01 Thru 5-1T04 (SN 295-)
19	507612035	SCREW,HFS,M10,1.50X35,10.9,YZ,ANSI,B18.2.3.9M,FT	4	
20	507613025	SCREW HFS,M12 1.75X25,10.9,YZ,ANSI,B18.2.3.9M,FT	2	
21	510512094	FITTING-RTEE-4MJ-6MORBA-6MJ	1	
22	53826001	FITTING - #10M O-RING-#8M JIC ST.	1	
23	53827001	FITTING - 10M O-RING X 10M JIC ST.	1	
24	56724001	FITTING-10JICX10JIC FS 45 DEG.	1	
25	56725001	FITTING-10M X 10M JIC 45 DEG.	1	
26	57950001	FITTING - 90-6MORBA-4MJ	5	
27	59409001	ELBOW-10M JICX12M ADJ. 90 DEG	3	
28	59410001	FITTING-90-12MJ-12MORBA	1	
29	64168001	FITTING-12MX6 JIC M STR.	1	
30	65565001	FITTING - 6M O-RING X 6M JIC ST.	1	
31	67745001	FITTING - FLGH - 16CD62	4	
32	68774001	FITTING-6MX6M JIC (RUN)X6M JIC	1	
33	70008001	FITTING-16M X 12M JIC STR.	4	
34	72056001	FITTING-TEST-6MORB-16MTP	1	
35	72895001	O RING-SQ. #16 FLANGE	2	
36	94161001	FITTING-16MJICX16MORING LONG	1	

Breakdown-Rotation/Left Track Drive Pump (SN 101-294)

Fig 05-01T01



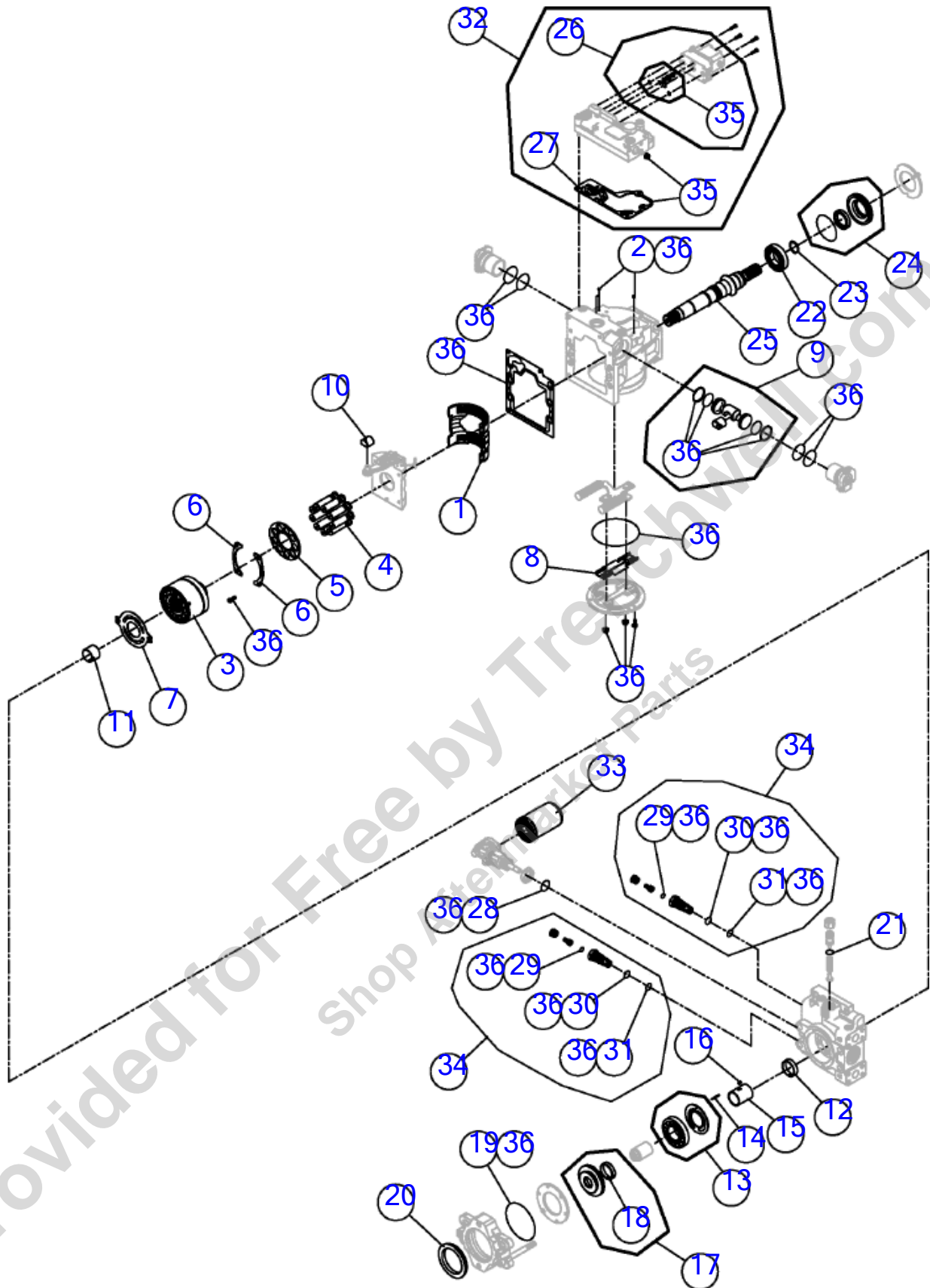
Breakdown-Rotation/Left Track Drive Pump (SN 101-294)

Fig 05-01T01

REF NO.	PART NO.	DESCRIPTION	QTY.	REMARKS
1	296378782	BEARING ASSEMBLY	1	
2	268961001	CONTROL FILTER SCREEN	3	
3	296378784	CYLINDER BLOCK ASSEMBLY	1	
4	296378785	WELDED PISTON ASSEMBLY	9	
5	296433699	SLIPPER GUIDE	1	
6	296378787	SLIPPER GUIDE BEARING	2	
7	296378789	VALVE PLATE	1	
8	296378804	SIDE COVER INSERT ASSEMBLY	1	
9	296378805	SERVO PISTON KIT	1	
10	296433700	SLIDER BLOCK	1	
11	296378808	JOURNAL BEARING	1	
12	85642035	BUSHING	1	
13	296378814	CHARGE PUMP SET	1	
14	296378815	PIN	1	
15	296367574	CHARGE PUMP SHAFT	1	
16	296284764	KEY	1	
17	180011668	COVER ASSEMBLY-CHARGE PUMP	1	
18	85642035	BUSHING	1	
19	231402001	O-RING 158V75	1	
20	296302346	PAD SEAL	1	
21	113080023	O-RING	1	
22	296378818	ROLLER BEARING	1	
23	296378819	RETAINING RING	1	
24	114282003	SEAL CARRIER	1	
25	296378924	SHAFT, 14 TOOTH SPLINE	1	
26	296332196	PCP W/DEUTSCH CONNECTOR	1	
27	254675037	CONTROL GASKET	1	
28	268967001	O-RING	1	
29	299026203	O-RING	2	
30	3113013	O-RING ENERGY 80310	2	
31	85642011	ORING	2	
32	296433701	EDC KIT	1	
33	299026204	FILTER	1	
34	113079007	VALVE MULTI FUNCTION	1	
35	296378826	CONTROL SEAL KIT	1	
36	296378780	OVERHAUL GASKET/SEAL KIT	1	
	296432757	PUMP-HYD-S90-75CC-5500PSI	1	Includes All Items Listed Above
	296462936	PUMP-TRIPLE STACK	1	Includes Figs 5-1T01 thru 5-1T03
	(296404038)	PUMP-TRIPLE STACK	1	Includes Figs 5-1T01 thru 5-1T03

Breakdown-Rotation (SN 295-)

Fig 05-01T01R01



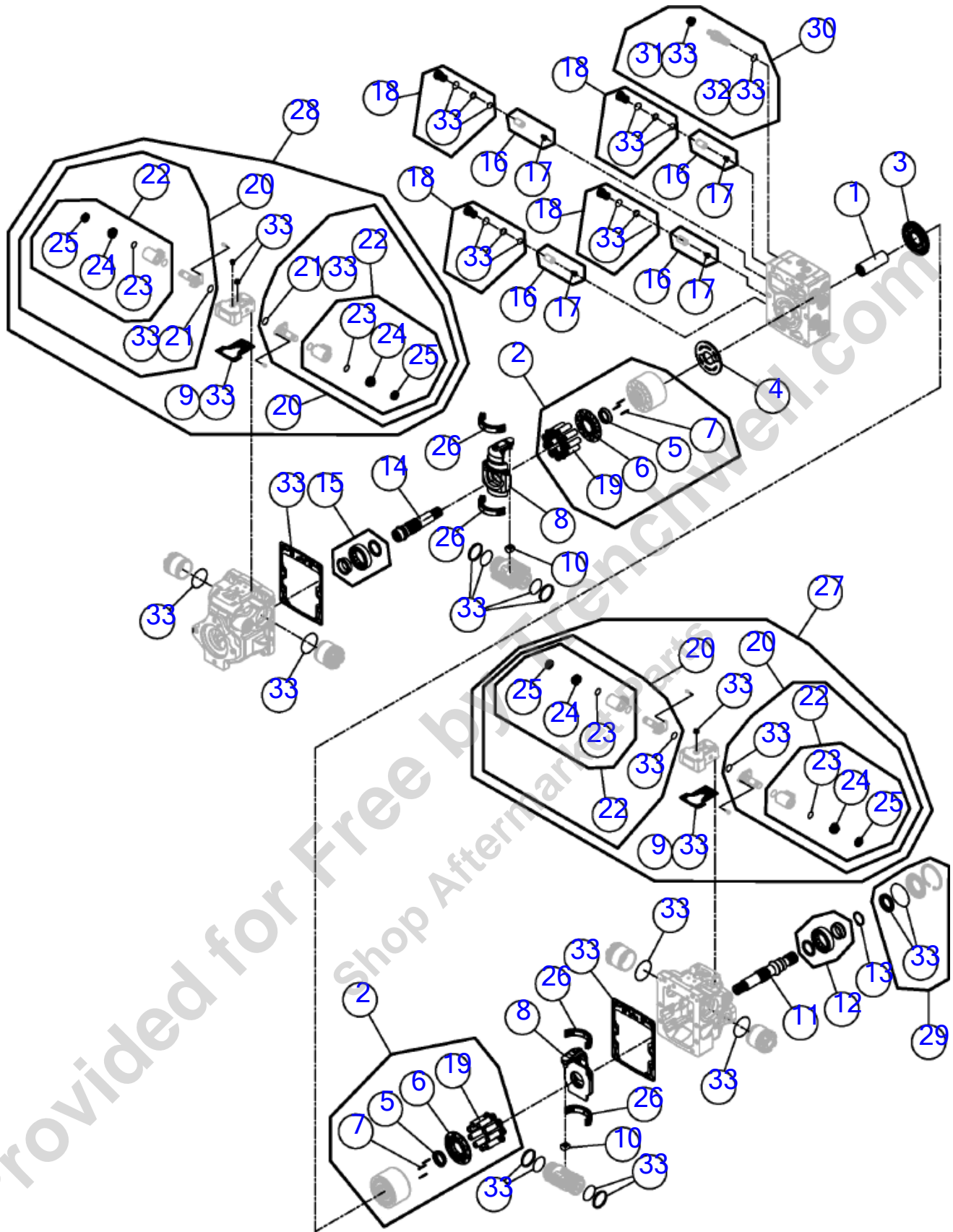
Breakdown-Rotation (SN 295-)

Fig 05-01T01R01

REF NO.	PART NO.	DESCRIPTION	QTY.	REMARKS
1	296378782	BEARING ASSEMBLY	1	
2	268961001	CONTROL FILTER SCREEN	3	
3	296378784	CYLINDER BLOCK ASSEMBLY	1	
4	296378785	WELDED PISTON ASSEMBLY	9	
5	296433699	SLIPPER GUIDE	1	
6	296378787	SLIPPER GUIDE BEARING	2	
7	296378789	VALVE PLATE	1	
8	296378804	SIDE COVER INSERT ASSEMBLY	1	
9	296378805	SERVO PISTON KIT	1	
10	296433700	SLIDER BLOCK	1	
11	296378808	JOURNAL BEARING	1	
12	85642035	BUSHING	1	
13	296378814	CHARGE PUMP SET	1	
14	296378815	PIN	1	
15	296367574	CHARGE PUMP SHAFT	1	
16	296284764	KEY	1	
17	180011668	COVER ASSEMBLY-CHARGE PUMP	1	
18	85642035	BUSHING	1	
19	231402001	O-RING 158V75	1	
20	296302346	PAD SEAL	1	
21	113080023	O-RING	1	
22	296378818	ROLLER BEARING	1	
23	296378819	RETAINING RING	1	
24	114282003	SEAL CARRIER	1	
25	296378924	SHAFT, 14 TOOTH SPLINE	1	
26	296332196	PCP W/DEUTSCH CONNECTOR	1	
27	254675037	CONTROL GASKET	1	
28	268967001	O-RING	1	
29	299026203	O-RING	2	
30	3113013	O-RING ENERGY 80310	2	
31	85642011	ORING	2	
32	296433701	EDC KIT	1	
33	299026204	FILTER .	1	
34	113079007	VALVE MULTI FUNCTION	1	
35	296378826	CONTROL SEAL KIT	1	
36	296378780	OVERHAUL GASKET/SEAL KIT	1	
	296432757	PUMP HYD S90 75CC 5500PSI	1	Includes All Items Listed Above
	296462936	PUMP-TRIPLE STACK SN:000295--	1	Includes Figs 5-1T01 thru 5-1T04 (295-)

Breakdown-Thrust/Pullback/Right Track Drive Pmp (SN 101-294)

Fig 05-01T02



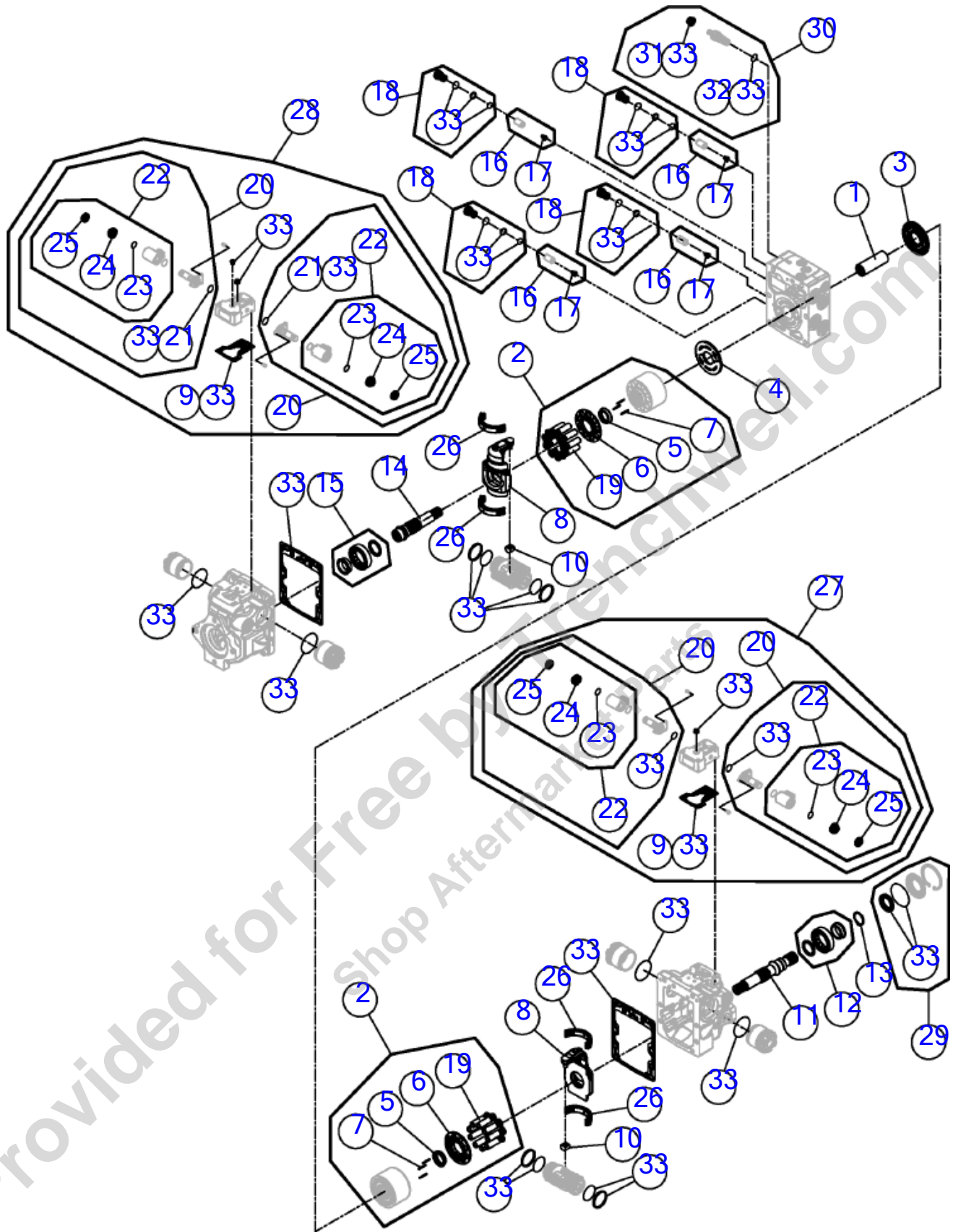
Breakdown-Thrust/Pullback/Right Track Drive Pmp (SN 101-294)

Fig 05-01T02

REF NO.	PART NO.	DESCRIPTION	QTY.	REMARKS
1	296302347	COUPLING	1	
2	296302324	CYLINDER BLOCK KIT	1	
3	296378857	VALVE PLATE, CW	1	
4	296378858	VALVE PLATE, CCW	1	
5	296302326	SLIPPER RETAINER GUIDE	2	
6	296302327	SLIPPER RETAINER	2	
7	296302328	SLIPPER HOLD DOWN PIN	6	
8	296447434	SWASHPLATE	1	
9	296302359	CONTROL GASKET	1	
10	296386471	SLIDER BLOCK	2	
11	296302340	SHAFT	1	
12	296372988	BALL BEARING	1	
13	68859057	RING-RETAINING	1	
14	296302345	SHAFT	1	
15	296372988	BALL BEARING	1	
16	296433698	SCR VALVE ASSEMBLY, 380 BAR	1	
17	296285113	SPRING	1	
18	296302353	SCR VALVE PLUG ASSY	1	
19	296302325	PISTON ASSY KIT	1	
20	296302358	SOLENOID VALVE - 12 VOLT	2	
21	296302357	O-RING	2	
22	296302356	COIL KIT	2	
23	180025014	O-RING	2	
24	180025355	COIL NUT	2	
25	180025016	CAP	2	
26	296386469	SWASHPLATE BEARING KIT (2PCS)	2	
27	296302355	EDC KIT - 12 VOLT	1	
28	296445504	EDC KIT-12 VOLT	1	
29	296302339	SHAFT SEAL	1	
30	296445502	KIT-CHARGE RELIEF VALVE	1	
31	296447437	SEAL NUT	1	
32	113080023	O-RING	1	
33	296386473	OVERHAUL SEAL KIT, H1 TANDEM	1	
	296462934	PUMP HYD H1 53.8CC TANDEM 5500PSI	1	Includes All Items Listed Above
	(296432756)	PUMP HYD H1 53.8CC TANDEM 5500PSI	1	Includes All Items Listed Above
	296462936	PUMP-TRIPLE STACK	1	Includes Figs 5-1T01 thru 5-1T03
	(296404038)	PUMP-TRIPLE STACK	1	Includes Figs 5-1T01 thru 5-1T03

Breakdown-Thrust/Pullback (SN 295-)

Fig 05-01T02R01



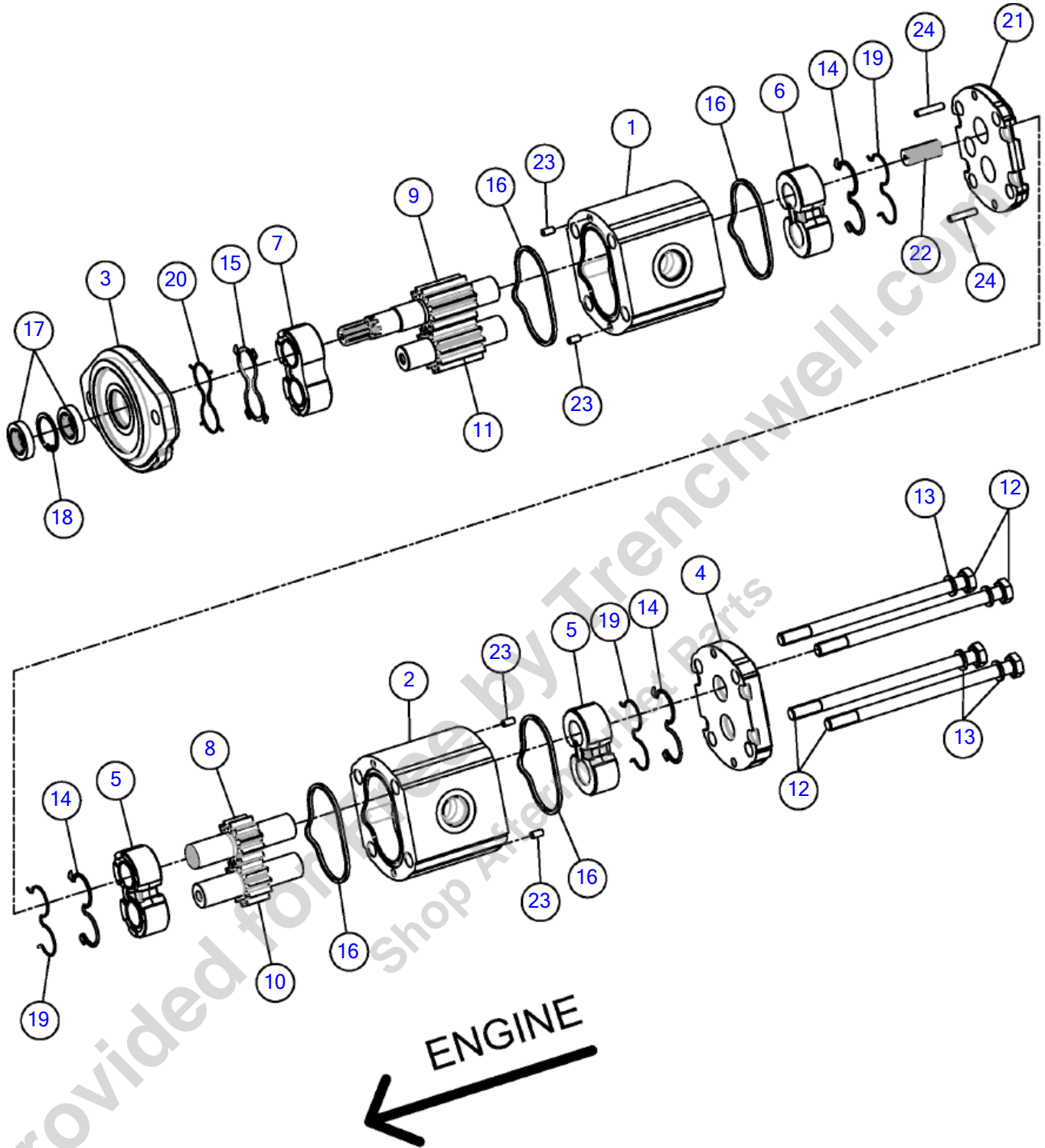
Breakdown-Thrust/Pullback (SN 295-)

Fig 05-01T02R01

REF NO.	PART NO.	DESCRIPTION	QTY.	REMARKS
1	296302347	COUPLING	1	
2	296302324	CYLINDER BLOCK KIT	1	
3	296378857	VALVE PLATE, CW	1	
4	296378858	VALVE PLATE, CCW	1	
5	296302326	SLIPPER RETAINER GUIDE	2	
6	296302327	SLIPPER RETAINER	2	
7	296302328	SLIPPER HOLD DOWN PIN	6	
8	296447434	SWASHPLATE	1	
9	296302359	CONTROL GASKET	1	
10	296386471	SLIDER BLOCK	2	
11	296302340	SHAFT	1	
12	296372988	BALL BEARING	1	
13	68859057	RING-RETAINING	1	
14	296302345	SHAFT	1	
15	296372988	BALL BEARING	1	
16	296433698	SCR VALVE ASSEMBLY, 380 BAR	1	
17	296285113	SPRING	1	
18	296302353	SCR VALVE PLUG ASSY	1	
19	296302325	PISTON ASSY KIT	1	
20	296302358	SOLENOID VALVE - 12 VOLT	2	
21	296302357	O-RING	2	
22	296302356	COIL KIT	2	
23	180025014	O-RING	2	
24	180025355	COIL NUT	2	
25	180025016	CAP	2	
26	296386469	SWASHPLATE BEARING KIT (2PCS)	2	
27	296302355	EDC KIT - 12 VOLT	1	
28	296445504	EDC KIT-12 VOLT	1	
29	296302339	SHAFT SEAL	1	
30	296445502	KIT-CHARGE RELIEF VALVE	1	
31	296447437	SEAL NUT	1	
32	113080023	O-RING	1	
33	296386473	OVERHAUL SEAL KIT, H1 TANDEM	1	
	296462934	PUMP HYD H1 53.8CC TANDEM 5500PSI SN:000295--	1	Includes All Items Listed Above (295-)
	296462936	PUMP-TRIPLE STACK SN:000295--	1	Includes Figs 5-1T01 thru 5-1T04 (295-)

Breakdown-Auxiliary/Fan Drive Pump (SN 101-294)

Fig 05-01T03



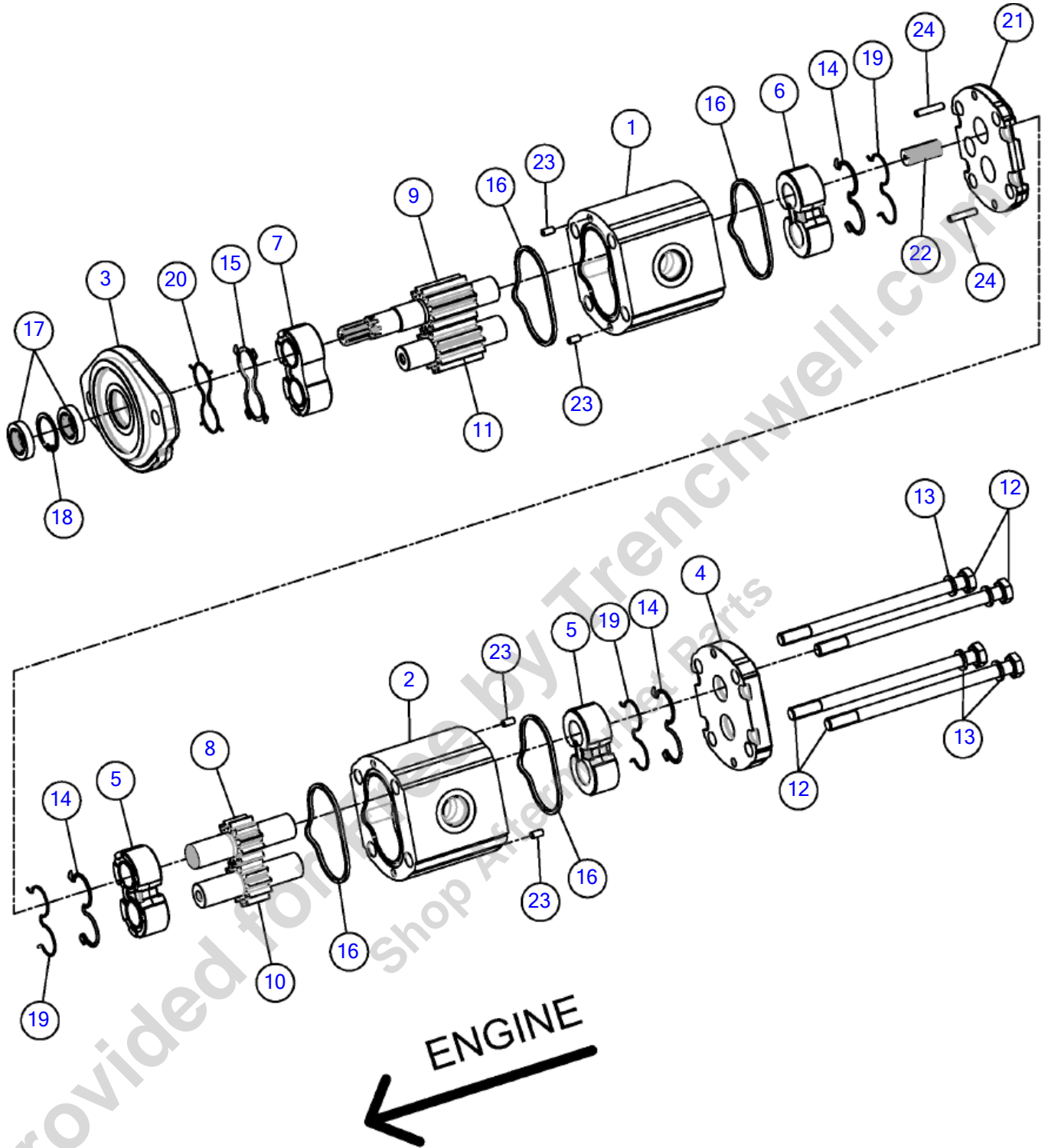
Breakdown-Auxiliary/Fan Drive Pump (SN 101-294)

Fig 05-01T03

REF NO.	PART NO.	DESCRIPTION	QTY.	REMARKS
1		FRONT HOUSING	1	Not Sold Separately
2		REAR HOUSING	1	Not Sold Separately
3		FRONT COVER	1	Not Sold Separately
4		REAR COVER	1	Not Sold Separately
5		THRUST PLATE	2	Not Sold Separately
6		THRUST PLATE	1	Not Sold Separately
7		THRUST PLATE	1	Not Sold Separately
8		DRIVE GEAR	1	Not Sold Separately
9		DRIVE SHAFT	1	Not Sold Separately
10		DRIVEN GEAR	1	Not Sold Separately
11		DRIVEN GEAR	1	Not Sold Separately
12		SCREW	4	Not Sold Separately
13		WASHER	4	Not Sold Separately
14	296386474	SEAL	3	
15	296386477	22MM SEAL	1	
16	296386476	SQUARE SECTION SEAL	4	
17	296480674	SEAL, OUTPUT SHAFT	2	
18		RING	1	Not Sold Separately
19	296386475	ANTIEXCURSION RING	3	
20	296386478	22MM ANTIEXCURSION SEAL	1	
21		FLANGE	1	Not Sold Separately
22		HUB	1	Not Sold Separately
23		DOWEL PIN	4	Not Sold Separately
24		DOWEL PIN	2	Not Sold Separately
	296353650	PUMP-GEAR TANDEM 1.61/1.03, SINGLE INLET	1	Includes All Items Listed Above
	296462936	PUMP-TRIPLE STACK	1	Includes Figs 5-1T01 thru 5-1T03
	(296404038)	PUMP-TRIPLE STACK	1	Includes Figs 5-1T01 thru 5-1T03

Breakdown-Auxiliary (SN 295-)

Fig 05-01T03R01



Breakdown-Auxiliary (SN 295-)

Fig 05-01T03R01

REF NO.	PART NO.	DESCRIPTION	QTY.	REMARKS
1		FRONT HOUSING	1	Not Sold Separately
2		REAR HOUSING	1	Not Sold Separately
3		FRONT COVER	1	Not Sold Separately
4		REAR COVER	1	Not Sold Separately
5		THRUST PLATE	2	Not Sold Separately
6		THRUST PLATE	1	Not Sold Separately
7		THRUST PLATE	1	Not Sold Separately
8		DRIVE GEAR	1	Not Sold Separately
9		DRIVE SHAFT	1	Not Sold Separately
10		DRIVEN GEAR	1	Not Sold Separately
11		DRIVEN GEAR	1	Not Sold Separately
12		SCREW	4	Not Sold Separately
13		WASHER	4	Not Sold Separately
14	296386474	SEAL	3	
15	296386477	22MM SEAL	1	
16	296386476	SQUARE SECTION SEAL	4	
17	296480674	SEAL, OUTPUT SHAFT	2	
18		RING	1	Not Sold Separately
19	296386475	ANTIEXCURSION RING	3	
20	296386478	22MM ANTIEXCURSION SEAL	1	
21		FLANGE	1	Not Sold Separately
22		HUB	1	Not Sold Separately
23		DOWEL PIN	4	Not Sold Separately
24		DOWEL PIN	2	Not Sold Separately
	296353650	PUMP-GEAR TANDEM 1.61/1.03, SINGLE INLET	1	Includes All Items Listed Above
	296462936	PUMP-TRIPLE STACK SN:000295--	1	Includes Figs 5-1T01 thru 5-1T04 (295-)

Breakdown-Charge Filter (SN 101-294)

Fig 05-01T04

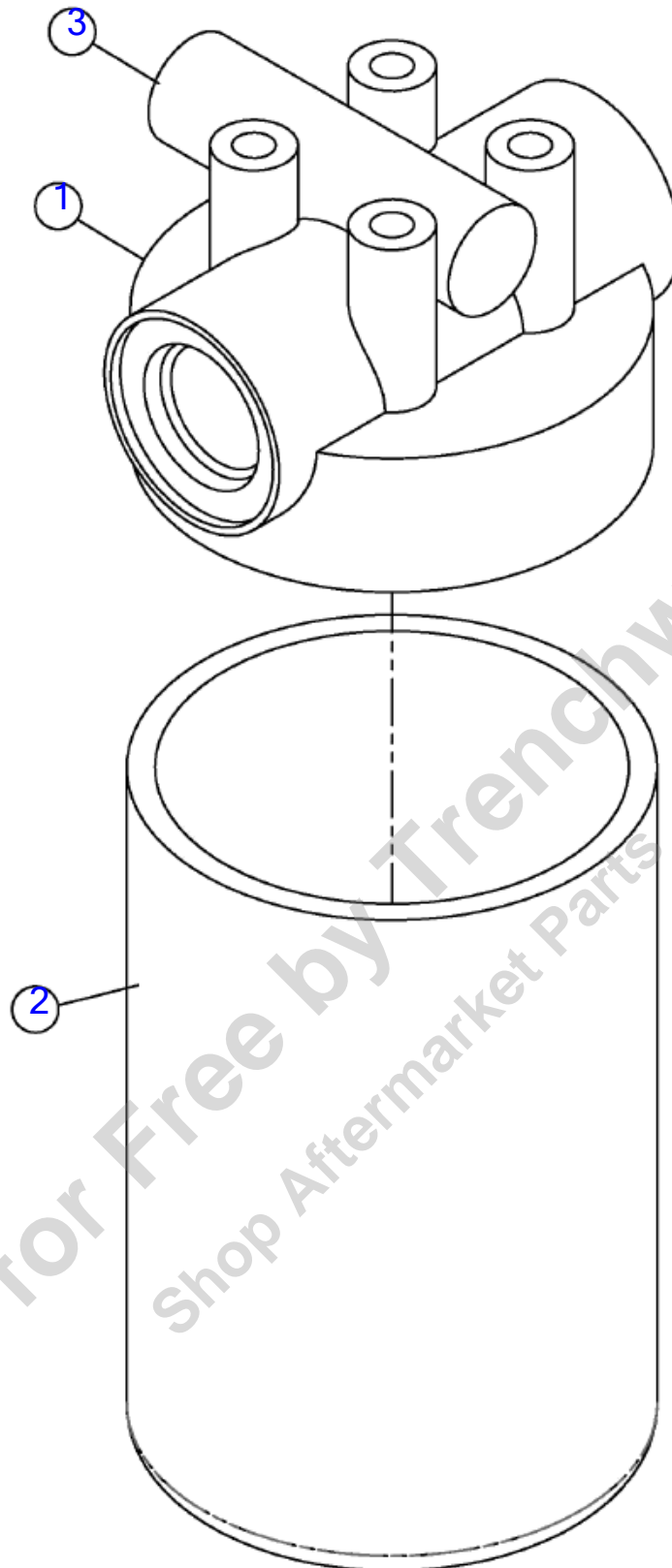


Illustration No: 296394156

Breakdown-Charge Filter (SN 101-294)

Fig 05-01T04

REF NO.	PART NO.	DESCRIPTION	QTY.	REMARKS
1	296454100	HEAD ASSEMBLY	1	
2	81902001	FILTER OIL	1	
3	296454152	INDICATOR	1	
	296394156	FILTER-OIL ELECTRICAL INDICATOR	1	Includes All Items Listed Above

Provided for Free by Trenchwell.com
Shop Aftermarket Parts

Breakdown-Charge Filter (SN 295-)

Fig 05-01T04R01

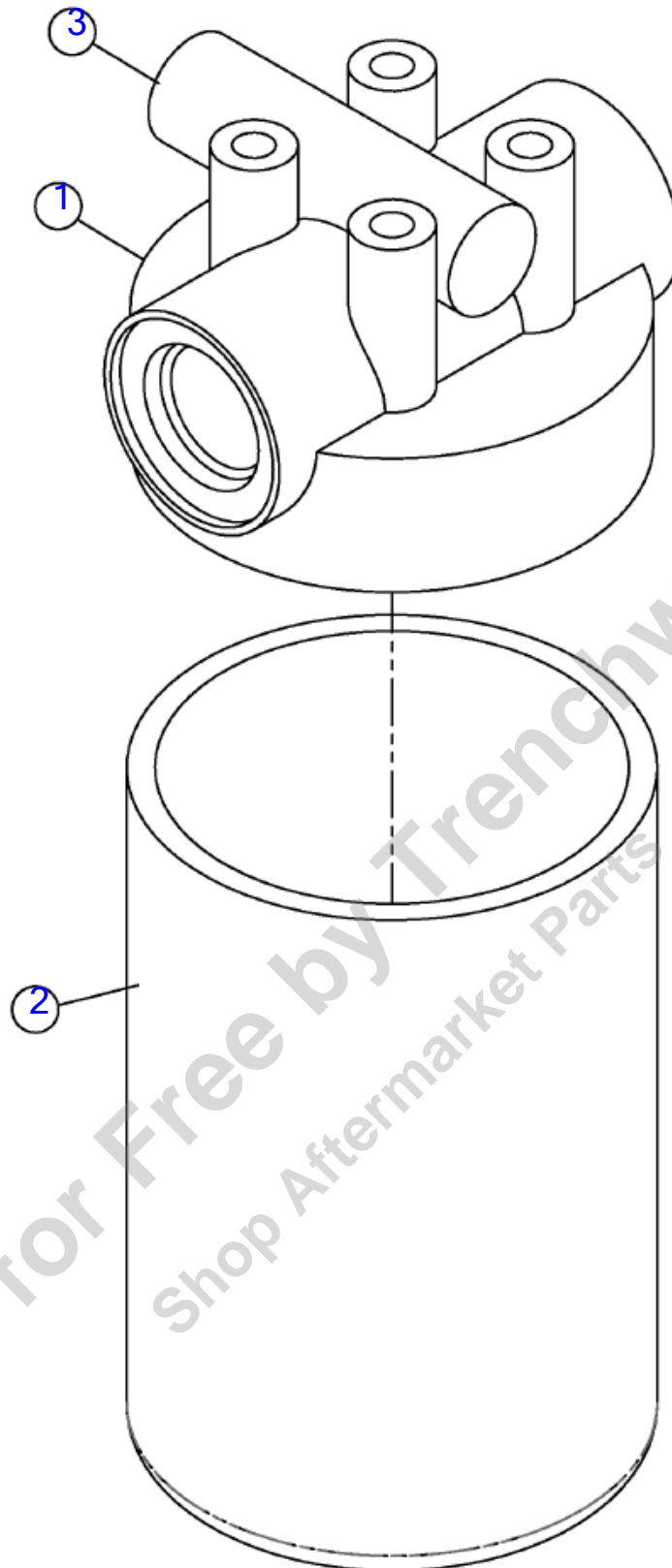


Illustration No: 296394156

Breakdown-Charge Filter (SN 295-)

Fig 05-01T04R01

REF NO.	PART NO.	DESCRIPTION	QTY.	REMARKS
1	296454100	HEAD ASSEMBLY	1	
2	81902001	FILTER OIL	1	
3	296454152	INDICATOR	1	
	296394156	FILTER-OIL ELECTRICAL INDICATOR	1	Includes All Items Listed Above
	296462936	PUMP-TRIPLE STACK	1	Includes Figure 5-1T01 Thru 5-1T04 (295-)
		SN:000295--		

Provided for Free by Trenchwell.com
 Shop Aftermarket Parts

Stack Pump (Non-Mud Pump)

Fig 05-01X01

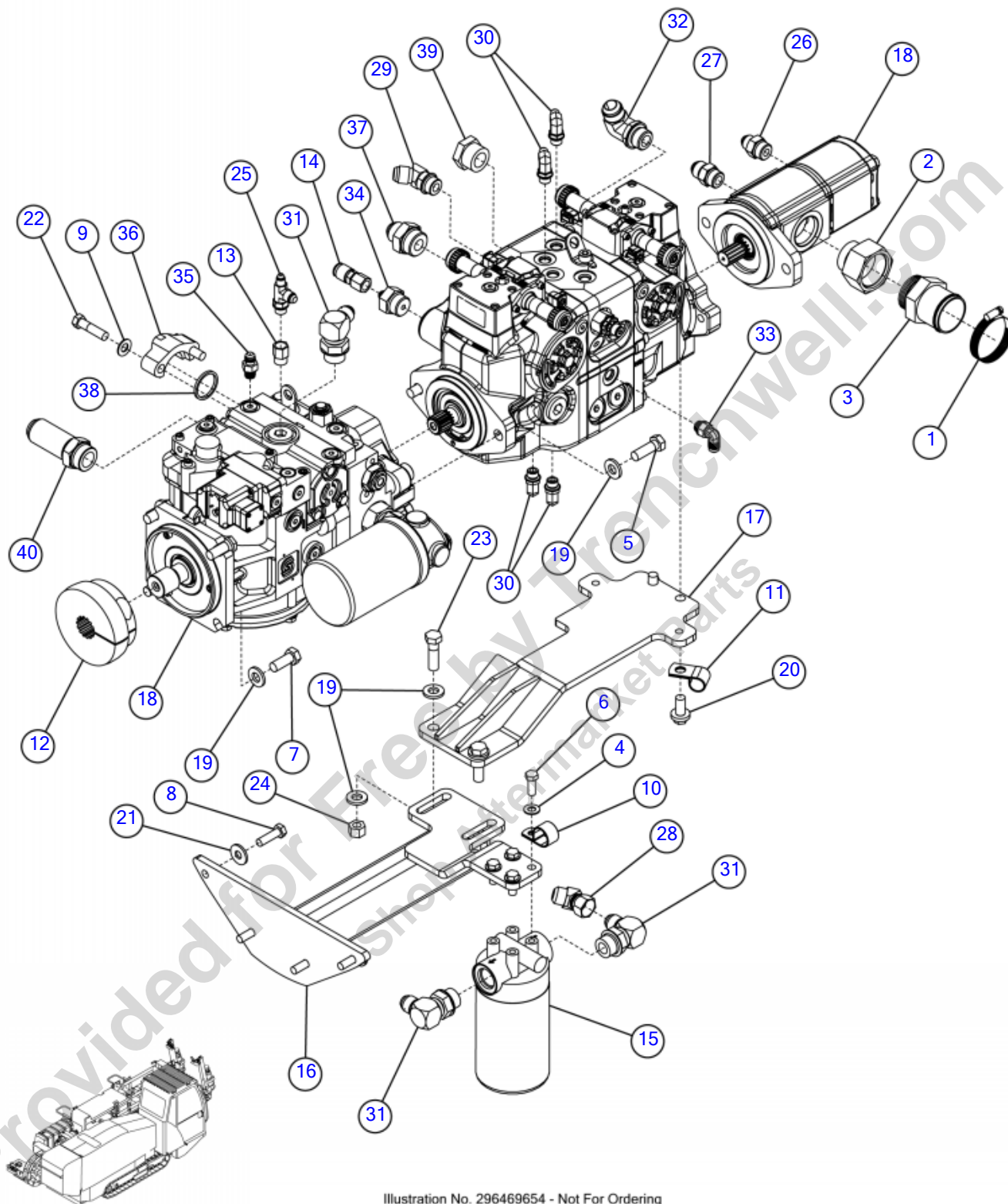


Illustration No. 296469654 - Not For Ordering

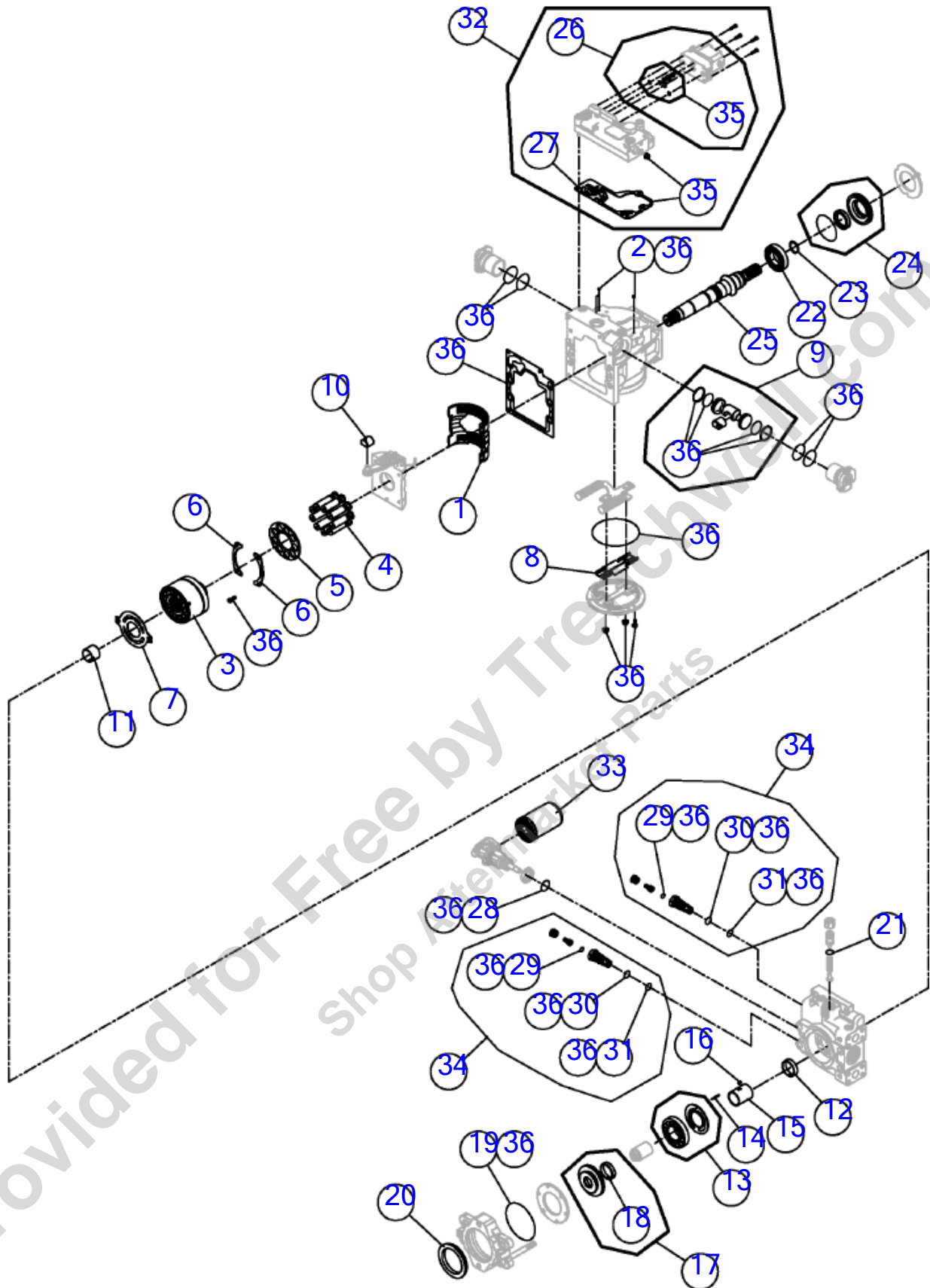
Stack Pump (Non-Mud Pump)

Fig 05-01X01

REF NO.	PART NO.	DESCRIPTION	QTY.	REMARKS
1	1580013	HOSE CLAMP - WORM GEAR - 2 1/16" - 3"	1	
2	163626338	FITTING - STR-20MORB X 24FORB	1	
3	180006619	FITTING-STR-32BHI-24MORB-2 ID HOSE-STL	1	
4	235713001	WASHER - FLATSTRL - .38 - .41 X .81 - .06-YA-A325	4	
5	235721001	BOLT-1/2-13X1 1/2 GR8 ZINC PLT	2	
6	235727001	SCREW-HCS-.38-16X1.00-GR8-YZ	4	
7	235737001	BOLT-1/2-13X1 1/4 GR8 ZYC	4	
8	249891001	BOLT, M10X35 10.9 HHCS D933 ZNC	4	
9	250515001	WASHER - 7/16 HARD SAE Y/ZINC	8	
10	2595009	CLAMP-1 1/4 HOSE #7701164	1	
11	2595019	CLAMP-HOSE, 3/4in W/ 17/32 HOLE, VINYL	2	
12	278981001	HUB - 14T PUMP DRIVE	1	
13	296279663	FITTING-STR-6MORB-6FORB	1	
14	296280278	FITTING - TEST - 6FSJ - 16MTP WITH ORING	1	
15	296394156	FILTER-OIL ELECTRICAL INDICATOR	1	
16	296412197	WELDMENT - PUMP STACK SUPPORT	1	
17	296412199	WELDMENT - PUMP SUPPORT	1	
18	296462936	PUMP-TRIPLE STACK	1	Breakdown Fig. 5-1X01T01 Thru 5-1X01T04
19	485025	WASHER-1/2 FLAT-HARDENED-YZ	10	
20	507613025	SCREW HFS,M12 1.75X25,10.9,YZ,ANSI,B18.2.3.9M,FT	2	
21	508485010	WASHER - FLAT, HARDENED, M10, YZ, JDS130	4	
22	510303016	SCREW-HCS-.44-14X1.75-GR5-YZ	8	
23	510304016	SCREW-HCS-.50-13X1.75-GR5-YZ	2	
24	510317501	NUT-TLHEX-.50-13-B-YZ	2	
25	510512094	FITTING-RTEE-4MJ-6MORBA-6MJ	1	
26	53826001	FITTING - #10M O-RING-#8M JIC ST.	1	
27	53827001	FITTING - 10M O-RING X 10M JIC ST.	1	
28	56724001	FITTING-10JICX10JIC FS 45 DEG.	1	
29	56725001	FITTING-10M X 10M JIC 45 DEG.	1	
30	57950001	FITTING - 90-6MORBA-4MJ	5	
31	59409001	ELBOW-10M JICX12M ADJ. 90 DEG	3	
32	59410001	FITTING-90-12MJ-12MORBA	1	
33	59426001	FITTING-90-6MJ-6MORB	1	
34	64168001	FITTING-12MX6 JIC M STR.	1	
35	65565001	FITTING - 6M O-RING X 6M JIC ST.	1	
36	67745001	FITTING - FLGH - 16CD62	4	
37	70008001	FITTING-16M X 12M JIC STR.	2	
38	72895001	O RING-SQ. #16 FLANGE	2	
39	81214001	PLUG- 16M	2	
40	94161001	FITTING-16MJICX16MORING LONG	1	

Breakdown-Rotation

Fig 05-01X01T01



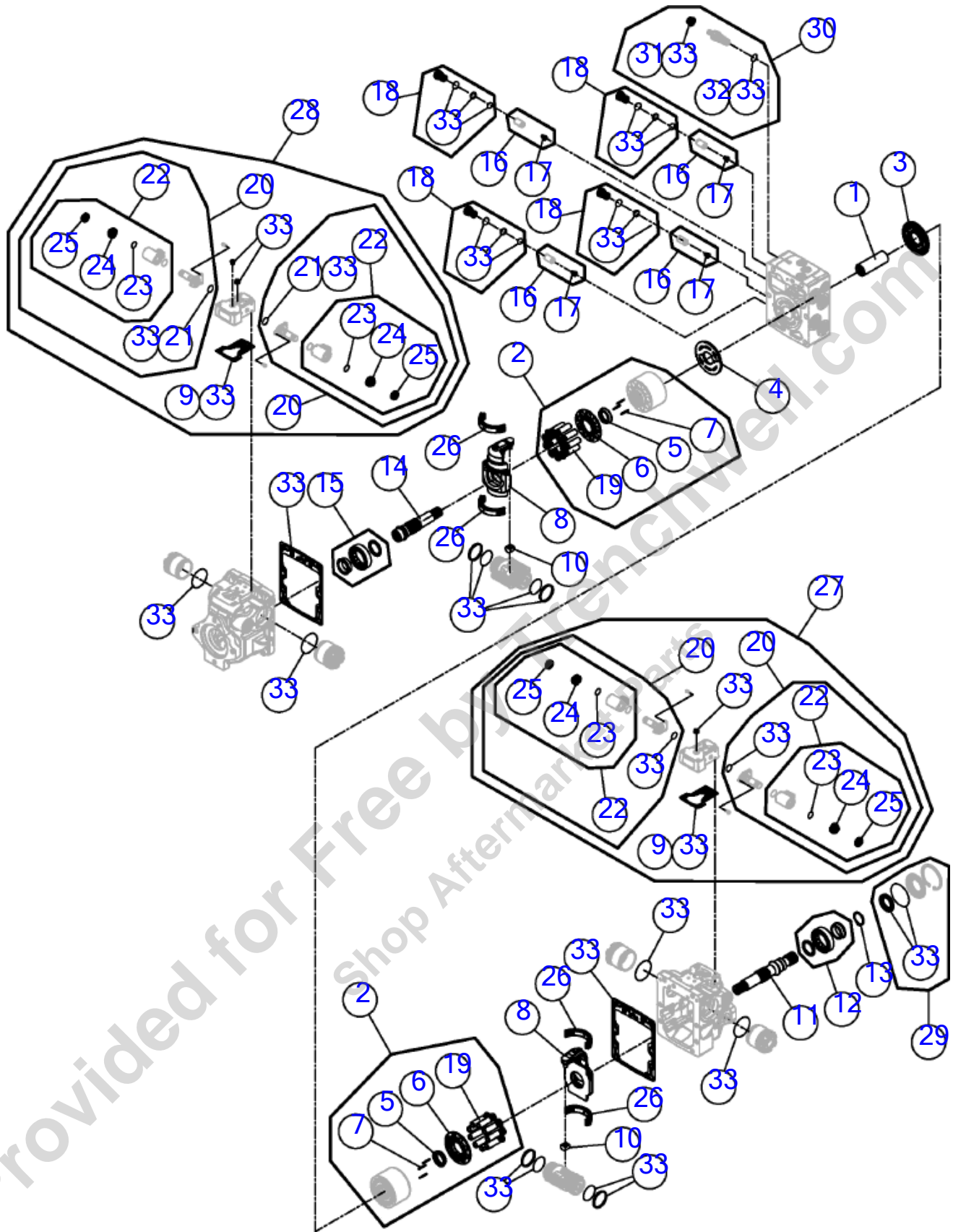
Breakdown-Rotation

Fig 05-01X01T01

REF NO.	PART NO.	DESCRIPTION	QTY.	REMARKS
1	296378782	BEARING ASSEMBLY	1	
2	268961001	CONTROL FILTER SCREEN	3	
3	296378784	CYLINDER BLOCK ASSEMBLY	1	
4	296378785	WELDED PISTON ASSEMBLY	9	
5	296433699	SLIPPER GUIDE	1	
6	296378787	SLIPPER GUIDE BEARING	2	
7	296378789	VALVE PLATE	1	
8	296378804	SIDE COVER INSERT ASSEMBLY	1	
9	296378805	SERVO PISTON KIT	1	
10	296433700	SLIDER BLOCK	1	
11	296378808	JOURNAL BEARING	1	
12	85642035	BUSHING	1	
13	296378814	CHARGE PUMP SET	1	
14	296378815	PIN	1	
15	296367574	CHARGE PUMP SHAFT	1	
16	296284764	KEY	1	
17	180011668	COVER ASSEMBLY-CHARGE PUMP	1	
18	85642035	BUSHING	1	
19	231402001	O-RING 158V75	1	
20	296302346	PAD SEAL	1	
21	113080023	O-RING	1	
22	296378818	ROLLER BEARING	1	
23	296378819	RETAINING RING	1	
24	114282003	SEAL CARRIER	1	
25	296378924	SHAFT, 14 TOOTH SPLINE	1	
26	296332196	PCP W/DEUTSCH CONNECTOR	1	
27	254675037	CONTROL GASKET	1	
28	268967001	O-RING	1	
29	299026203	O-RING	2	
30	3113013	O-RING ENERGY 80310	2	
31	85642011	ORING	2	
32	296433701	EDC KIT	1	
33	299026204	FILTER	1	
34	113079007	VALVE MULTI FUNCTION	1	
35	296378826	CONTROL SEAL KIT	1	
36	296378780	OVERHAUL GASKET/SEAL KIT	1	
	296432757	PUMP HYD S90 75CC 5500PSI	1	Includes All Items Listed Above
	296462936	PUMP-TRIPLE STACK SN:000295--	1	Includes Figs 5-1T01 thru 5-1T04 (295-)

Breakdown-Thrust/Pullback

Fig 05-01X01T02



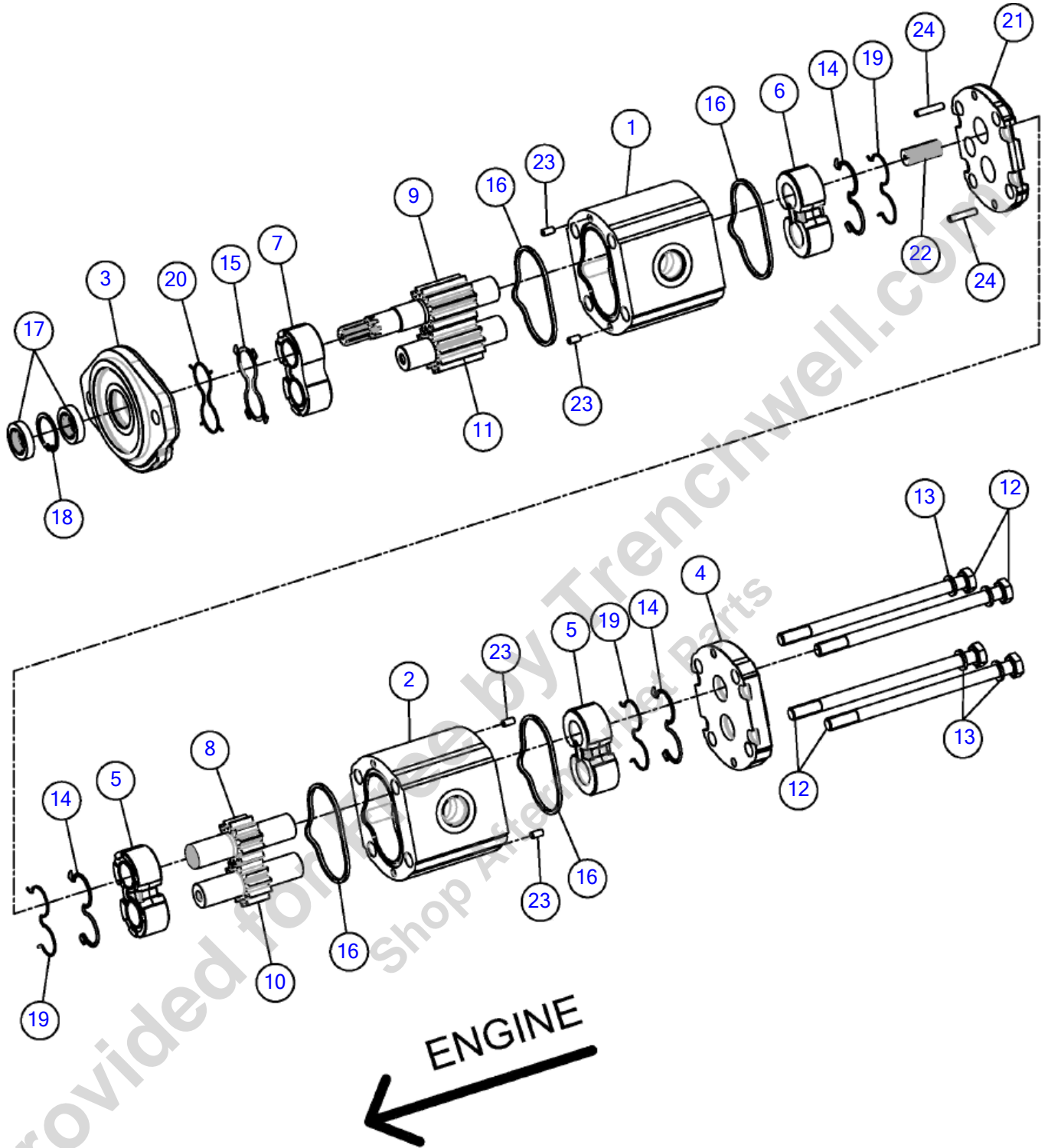
Breakdown-Thrust/Pullback

Fig 05-01X01T02

REF NO.	PART NO.	DESCRIPTION	QTY.	REMARKS
1	296302347	COUPLING	1	
2	296302324	CYLINDER BLOCK KIT	1	
3	296378857	VALVE PLATE, CW	1	
4	296378858	VALVE PLATE, CCW	1	
5	296302326	SLIPPER RETAINER GUIDE	2	
6	296302327	SLIPPER RETAINER	2	
7	296302328	SLIPPER HOLD DOWN PIN	6	
8	296447434	SWASHPLATE	1	
9	296302359	CONTROL GASKET	1	
10	296386471	SLIDER BLOCK	2	
11	296302340	SHAFT	1	
12	296372988	BALL BEARING	1	
13	68859057	RING-RETAINING	1	
14	296302345	SHAFT	1	
15	296372988	BALL BEARING	1	
16	296433698	SCR VALVE ASSEMBLY, 380 BAR	1	
17	296285113	SPRING	1	
18	296302353	SCR VALVE PLUG ASSY	1	
19	296302325	PISTON ASSY KIT	1	
20	296302358	SOLENOID VALVE - 12 VOLT	2	
21	296302357	O-RING	2	
22	296302356	COIL KIT	2	
23	180025014	O-RING	2	
24	180025355	COIL NUT	2	
25	180025016	CAP	2	
26	296386469	SWASHPLATE BEARING KIT (2PCS)	2	
27	296302355	EDC KIT - 12 VOLT	1	
28	296445504	EDC KIT-12 VOLT	1	
29	296302339	SEAL KIT	1	
30	296445502	KIT-CHARGE RELIEF VALVE	1	
31	296447437	SEAL NUT	1	
32	113080023	O-RING	1	
33	296386473	OVERHAUL SEAL KIT, H1 TANDEM	1	
	296462934	PUMP-HYD-H1-53.8CC-TANDEM-380/250BAR SN:000295--	1	Includes All Items Listed Above (295-)
	296462936	PUMP-TRIPLE STACK SN:000295--	1	Includes Figs 5-1T01 thru 5-1T04 (295-)

Breakdown-Auxiliary

Fig 05-01X01T03



Breakdown-Auxiliary

Fig 05-01X01T03

REF NO.	PART NO.	DESCRIPTION	QTY.	REMARKS
1		FRONT HOUSING	1	Not Sold Separately
2		REAR HOUSING	1	Not Sold Separately
3		FRONT COVER	1	Not Sold Separately
4		REAR COVER	1	Not Sold Separately
5		THRUST PLATE	2	Not Sold Separately
6		THRUST PLATE	1	Not Sold Separately
7		THRUST PLATE	1	Not Sold Separately
8		DRIVE GEAR	1	Not Sold Separately
9		DRIVE SHAFT	1	Not Sold Separately
10		DRIVEN GEAR	1	Not Sold Separately
11		DRIVEN GEAR	1	Not Sold Separately
12		SCREW	4	Not Sold Separately
13		WASHER	4	Not Sold Separately
14	296386474	SEAL	3	
15	296386477	22MM SEAL	1	
16	296386476	SQUARE SECTION SEAL	4	
17	296480674	SEAL, OUTPUT SHAFT	2	
18		RING	1	Not Sold Separately
19	296386475	ANTIEXCURSION RING	3	
20	296386478	22MM ANTIEXCURSION SEAL	1	
21		FLANGE	1	Not Sold Separately
22		HUB	1	Not Sold Separately
23		DOWEL PIN	4	Not Sold Separately
24		DOWEL PIN	2	Not Sold Separately
	296353650	PUMP-GEAR TANDEM 1.61/1.03, SINGLE INLET	1	Includes All Items Listed Above
	296462936	PUMP-TRIPLE STACK SN:000295--	1	Includes Figs 5-1T01 thru 5-1T04 (295-)

Breakdown-Charge Filter

Fig 05-01X01T04

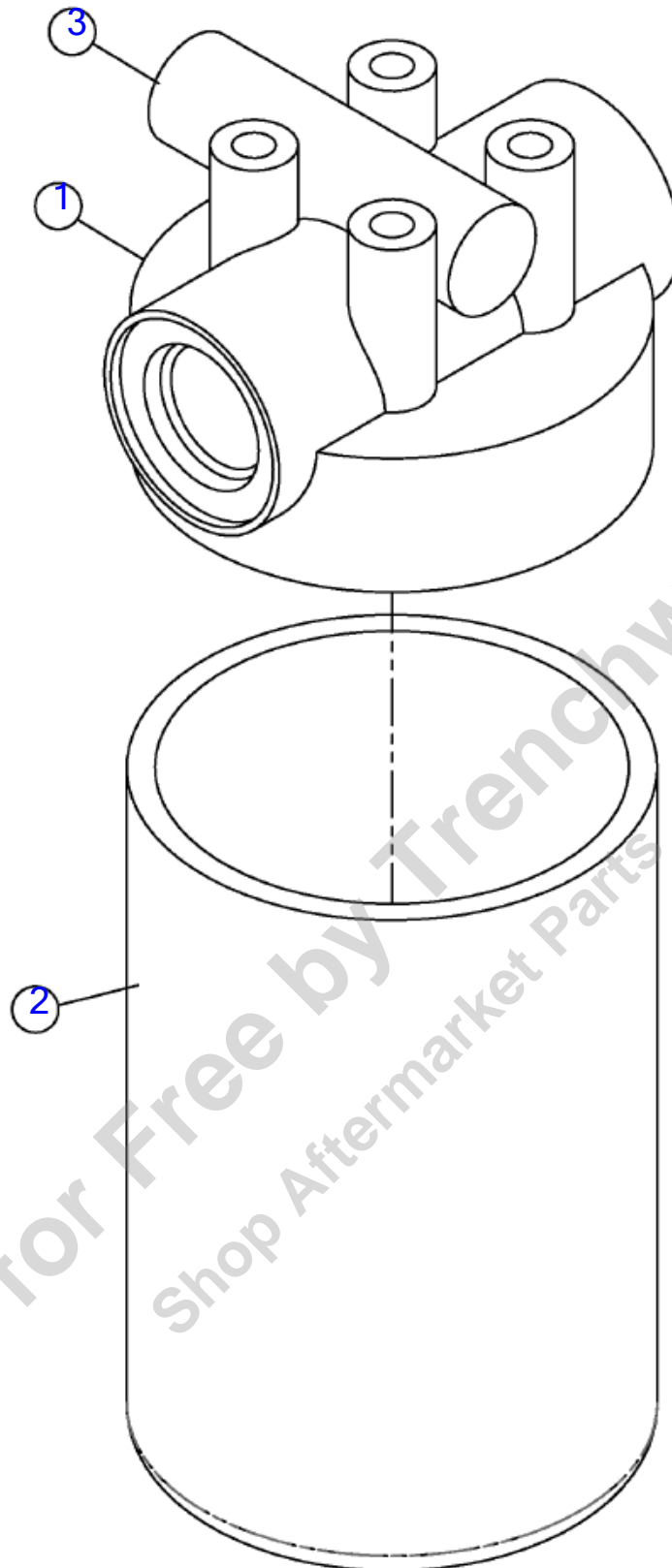


Illustration No: 296394156

Breakdown-Charge Filter

Fig 05-01X01T04

REF NO.	PART NO.	DESCRIPTION	QTY.	REMARKS
1	296454100	HEAD ASSEMBLY	1	
2	81902001	FILTER OIL	1	
3	296454152	INDICATOR	1	
	296394156	FILTER-OIL ELECTRICAL INDICATOR	1	Includes All Items Listed Above
	296462936	PUMP-TRIPLE STACK	1	Includes Figure 5-1T01 Thru 5-1T04 (295-)
		SN:000295--		

Provided for Free by Trenchwell.com
Shop Aftermarket Parts

Hydraulic Tank

Fig 05-02

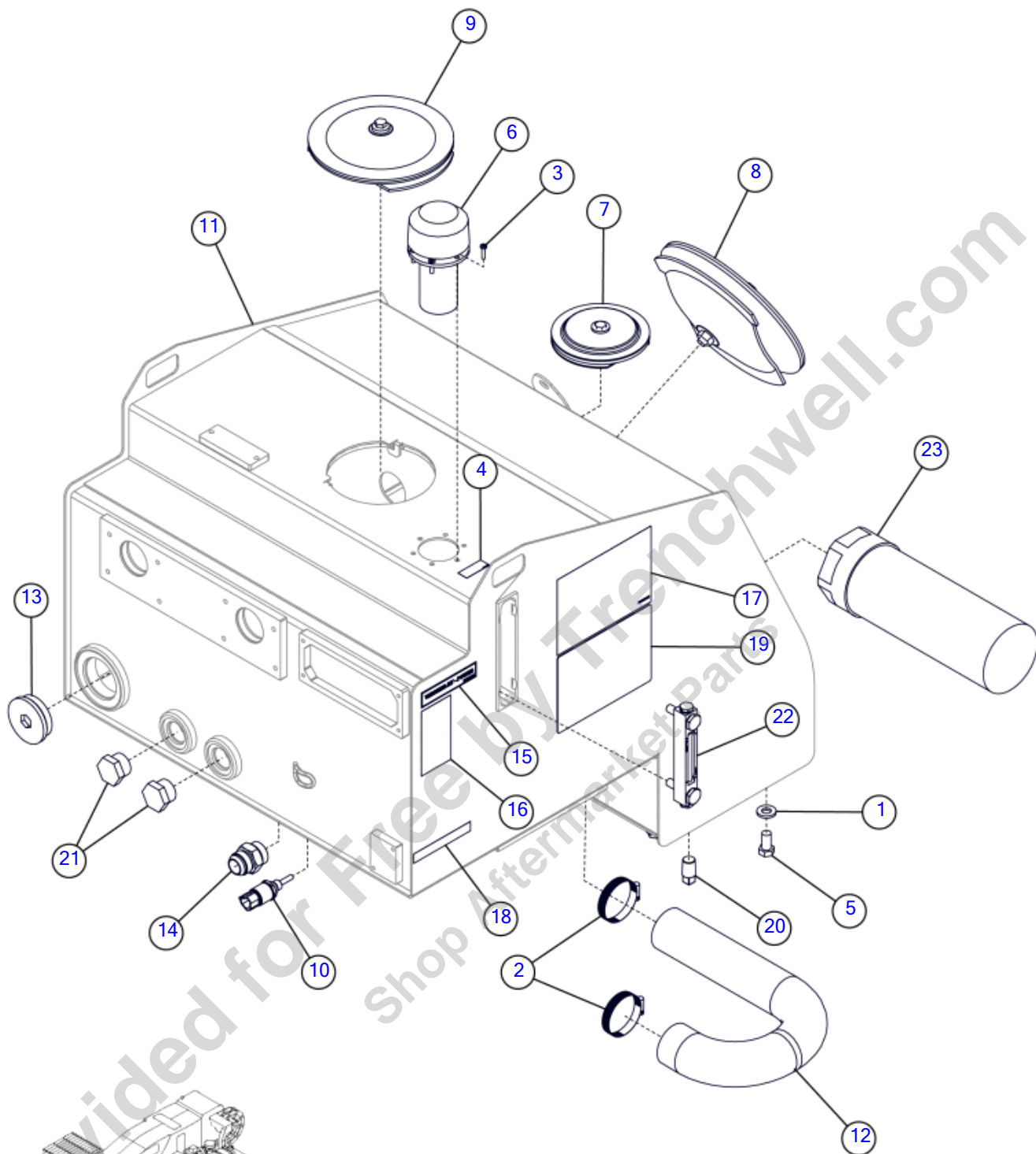


Illustration No-296412209 - Not For Ordering

Hydraulic Tank

Fig 05-02

REF NO.	PART NO.	DESCRIPTION	QTY.	REMARKS
1	127362001	WASHER-1/2 HARD.FLAT/PLATED	4	
2	1580013	HOSE CLAMP - WORM GEAR - 2 1/16" - 3"	2	
3	1802006	BOLT-10-24 X 3/4 RND HD STOVE	6	
4	2326756	DECAL-HYDRAULIC OIL	1	
5	235729001	SCREW-HCS-.50-13X1.00-GR8-YZ	4	
6	235808001	CAP-FILLER/BREATHER W/O RELIEF	1	
7	296257231	COVER - 6 IN RESERVOIR END	1	
8	296292015	TANK CLEAN OUT COVER-10"	1	
9	296340798	COVER 8" OIL TANK	1	
10	296394151	TEMP. TRANSDUCER-HYDAC 1" PROBE	1	
11	296477513	ASSEMBLY - SERVICE HYDRAULIC TANK	1	
11	(296426520)	WELDMENT - HYD TANK 55 GAL MEDIUM NAV	1	
12	296443765	HOSE-PUMP SUCTION	1	
13	603930001	PLUG - #32 O RING HOLLOW HEX	1	
14	60907001	FITTING - 16M JICX16M STR ADAPT	1	
15	70000394	DECAL-VERMEER HY POWER	1	
16	7000C446	DECAL - NO WELD	1	Domestic
16	700IC446	DECAL - NO WELD	1	International
17	7000C451	DECAL - FLUID CAPACITIES	1	
18	7000G647	DECAL-INFORMATION	1	
19	700IG602	DECAL-MED. NAV. GREASE CHART	1	
20	734001	PLUG-1/2" MAGNETIC	2	
21	81214001	PLUG- 16M	2	
22	81590001	GAUGE-SIGHT .	1	
23	98681001	FILTER-TANK 3 NPT OUTLET PORT	1	

Hydraulic Tank (SN 313-422)

Fig 05-02R01

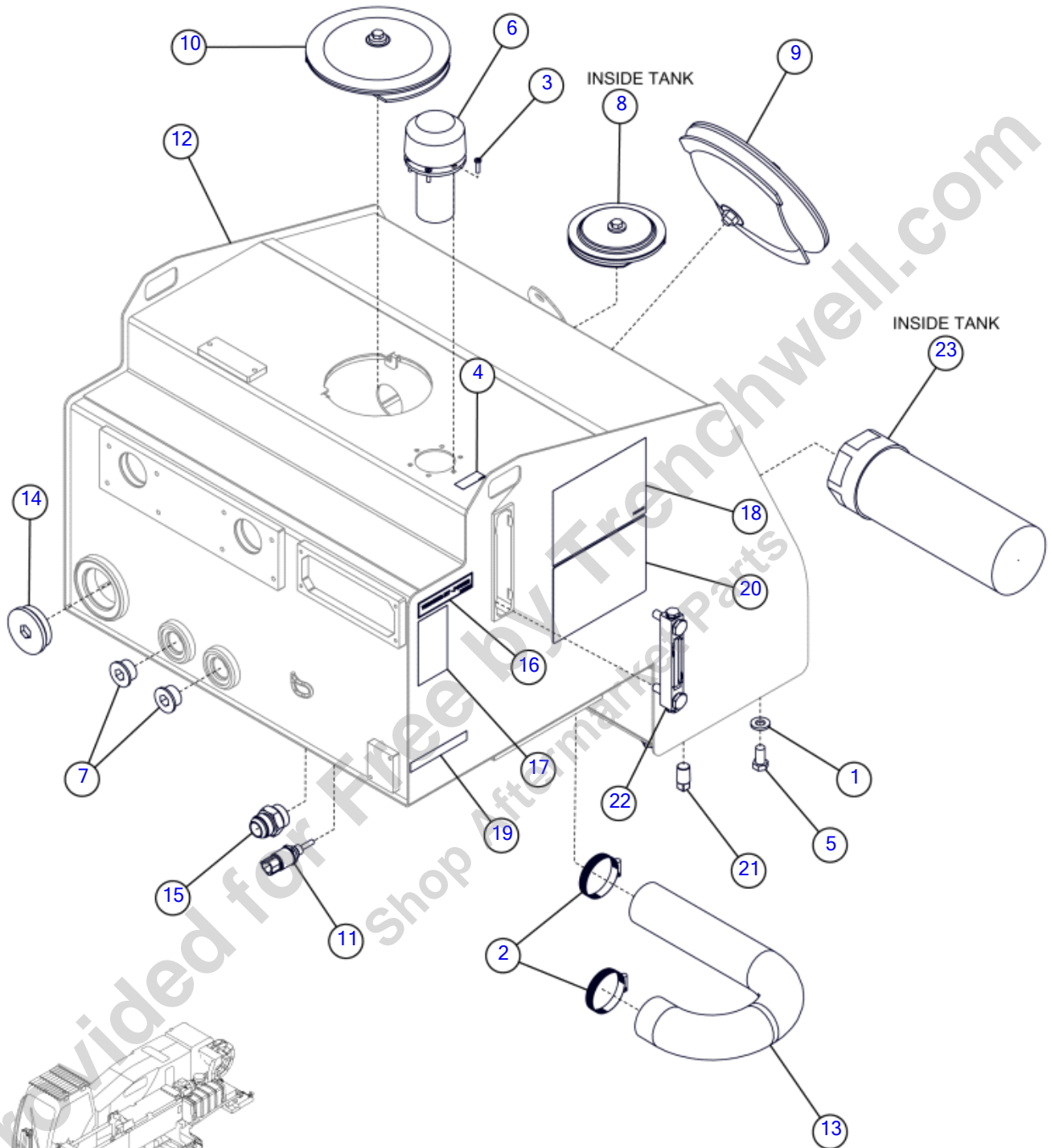


Illustration No. 296412209 - Not For Ordering

Hydraulic Tank (SN 313-422)

Fig 05-02R01

REF NO.	PART NO.	DESCRIPTION	QTY.	REMARKS
1	127362001	WASHER-1/2 HARD.FLAT/PLATED	4	
2	1580013	HOSE CLAMP - WORM GEAR - 2 1/16" - 3"	2	
3	1802006	BOLT-10-24 X 3/4 RND HD STOVE	6	
4	2326756	DECAL-HYDRAULIC OIL	1	
5	235729001	SCREW-HCS-.50-13X1.00-GR8-YZ	4	
6	235808001	CAP-FILLER/BREATHER W/O RELIEF	1	
7	289769001	PLUG, #16 ORB HHP	2	(313-)
8	296257231	COVER - 6 IN RESERVOIR END	1	
9	296292015	TANK CLEAN OUT COVER-10"	1	
10	296340798	COVER 8" OIL TANK	1	
11	296394151	TEMP. TRANSDUCER-HYDAC 1" PROBE	1	
12	296477513	ASSEMBLY - SERVICE HYDRAULIC TANK	1	
12	(296426520)	WELDMENT - HYD TANK 55 GAL MEDIUM NAV	1	
13	296443765	HOSE-PUMP SUCTION	1	
14	603930001	PLUG - #32 O RING HOLLOW HEX	1	
15	60907001	FITTING - 16M JICX16M STR ADAPT	1	
16	70000394	DECAL-VERMEER HY POWER	1	
17	7000C446	DECAL - NO WELD	1	
18	7000C451	DECAL - FLUID CAPACITIES	1	
19	7000G647	DECAL-INFORMATION	1	
20	700IG602	DECAL-MED. NAV. GREASE CHART	1	
21	734001	PLUG-1/2" MAGNETIC	2	
22	81590001	GAUGE-SIGHT .	1	
23	98681001	FILTER-TANK 3 NPT OUTLET PORT	1	

Hydraulic Tank (SN 423-)

Fig 05-02R02

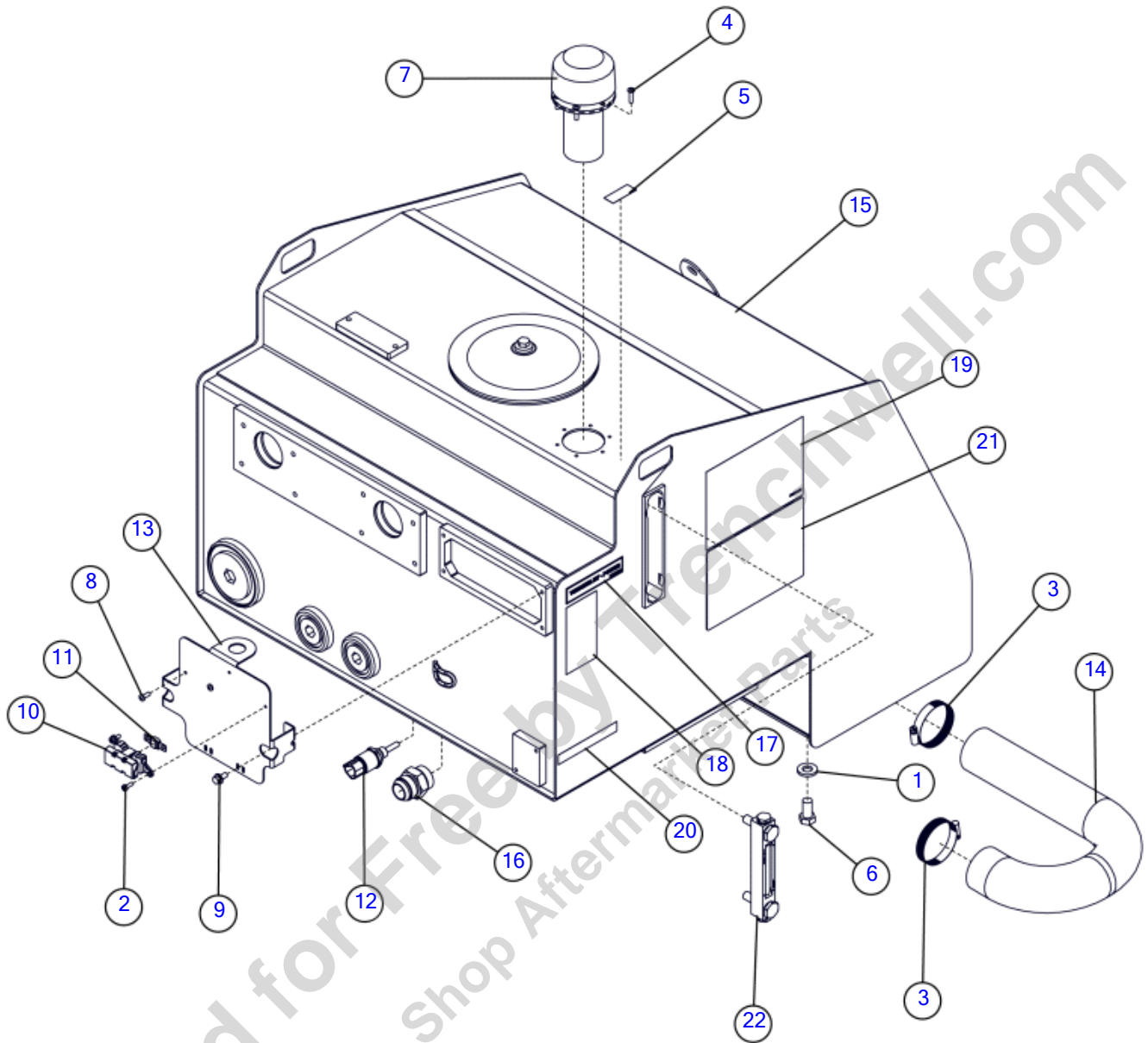


Illustration No-296412209 - Not For Ordering

Hydraulic Tank (SN 423-)

Fig 05-02R02

REF NO.	PART NO.	DESCRIPTION	QTY.	REMARKS
1	127362001	WASHER-1/2 HARD.FLAT/PLATED	4	
2	130745083	SCREW - MCH-8-32 X .50-PHILLIPS-CZ	2	
3	1580013	HOSE CLAMP - WORM GEAR - 2 1/16" - 3"	2	
4	163737583	SCREW-MCH-#10-32 X 0.75-GR2-CZ-PAN-PHILLIPS	6	
5	2326756	DECAL-HYDRAULIC OIL	1	
6	235729001	SCREW-HCS-.50-13X1.00-GR8-YZ	4	
7	235808001	CAP-FILLER/BREATHER W/O RELIEF	1	
8	242655001	SCREW-#10-24X1/2PAN HD PLT PHP	2	
9	296300751	SCREW HFS .25-20X.50 GR8-YZ	2	
10	296347155	MODULE - FUSE HOLDER MIDI	1	
11	296347161	FUSE-80A MIDI	1	
12	296394151	TEMP. TRANSDUCER-HYDAC 1" PROBE	1	
13	296424620	PLATE - TELEMATICS AND FUSE HOLDER	1	
14	296443765	HOSE-PUMP SUCTION	1	
15	296477513	ASSEMBLY - SERVICE HYDRAULIC TANK	1	Breakdown Fig 5-2T01
15	(296477507)	ASSEMBLY - SEALED HYDRAULIC TANK	1	Breakdown Fig 5-2T01
16	60907001	FITTING - 16M JICX16M STR ADAPT	1	
17	70000394	DECAL-VERMEER HY POWER	1	
18	7000C446	DECAL - NO WELD	1	Domestic
18	700IC446	DECAL - NO WELD	1	International
19	7000C451	DECAL - FLUID CAPACITIES	1	
20	7000G647	DECAL-INFORMATION	1	
21	700IG602	DECAL-MED. NAV. GREASE CHART	1	
22	81590001	GAUGE-SIGHT .	1	

Hydraulic Tank (SN 546-693)

Fig 05-02R03

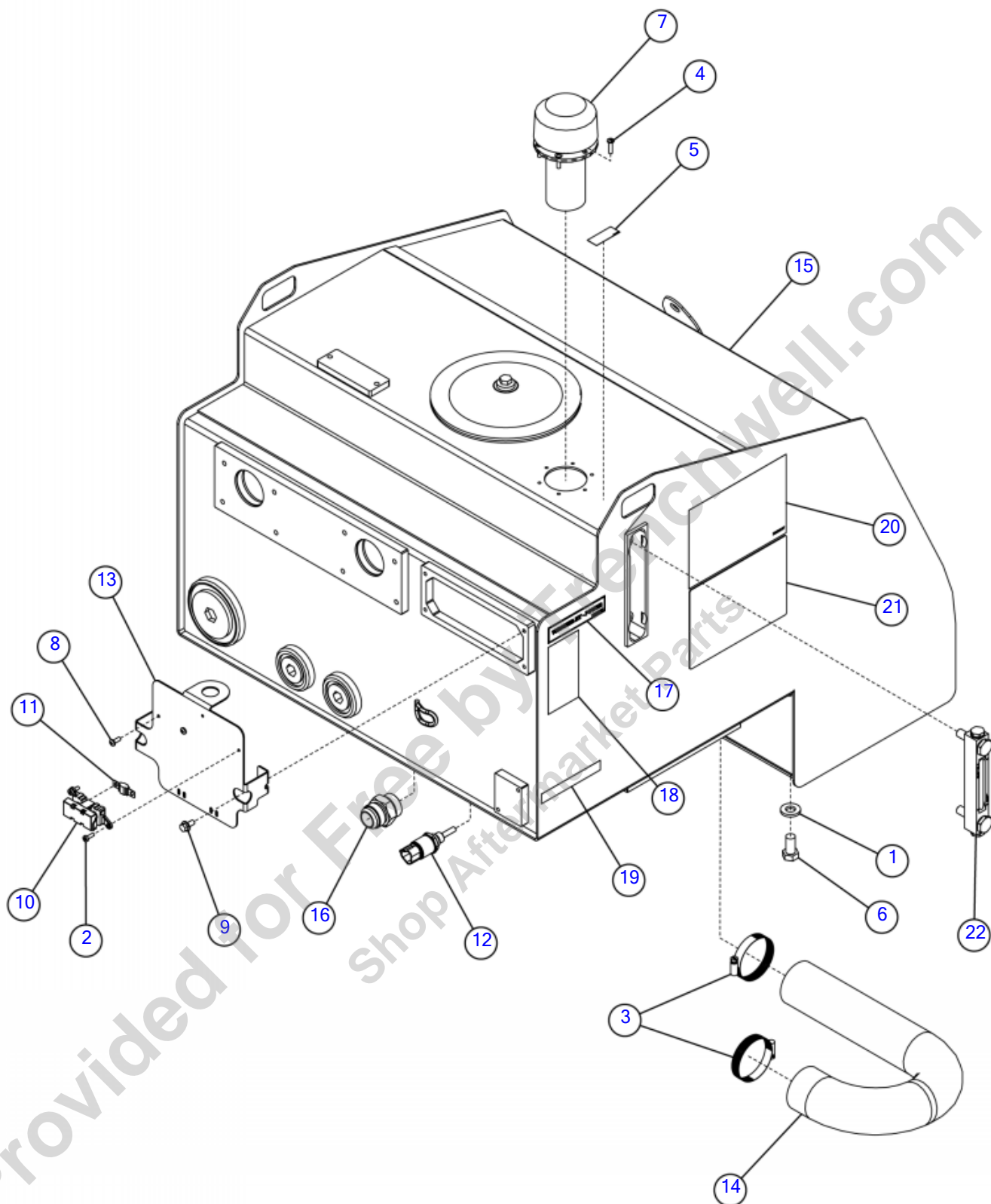


Illustration No-296480353 - Not For Ordering

Hydraulic Tank (SN 546-693)

Fig 05-02R03

REF NO.	PART NO.	DESCRIPTION	QTY.	REMARKS
1	127362001	WASHER-1/2 HARD.FLAT/PLATED	4	
2	130745083	SCREW - MCH-8-32 X .50-PHILLIPS-CZ	2	
3	1580013	HOSE CLAMP - WORM GEAR - 2 1/16" - 3"	2	
4	163737583	SCREW-MCH-#10-32 X 0.75-GR2-CZ-PAN-PHILLIPS	6	
5	2326756	DECAL-HYDRAULIC OIL	1	
6	235729001	SCREW-HCS-.50-13X1.00-GR8-YZ	4	
7	235808001	CAP-FILLER/BREATHER W/O RELIEF	1	
8	242655001	SCREW-#10-24X1/2PAN HD PLT PHP	2	
9	296300751	SCREW HFS .25-20X.50 GR8-YZ	2	
10	296347155	MODULE - FUSE HOLDER MIDI	1	
11	296347161	FUSE-80A MIDI	1	
12	296394151	TEMP. TRANSDUCER-HYDAC 1" PROBE	1	
13	296424620	PLATE - TELEMATICS AND FUSE HOLDER	1	
14	296443765	HOSE-PUMP SUCTION	1	
15	296477513	ASSEMBLY - SERVICE HYDRAULIC TANK	1	Breakdown Fig. 5-2T01
15	(296477507)	ASSEMBLY - SEALED HYDRAULIC TANK	1	Breakdown Fig. 5-2T01
16	60907001	FITTING - 16M JICX16M STR ADAPT	1	
17	70000394	DECAL-VERMEER HY POWER	1	
18	7000C446	DECAL - NO WELD	1	Domestic
18	7000IC446	DECAL - NO WELD	1	International
19	7000G647	DECAL-INFORMATION	1	
20	7000H117	DECAL-FLUID CAPACITIES	1	
21	7000IG602	DECAL-MED. NAV. GREASE CHART	1	
22	81590001	GAUGE-SIGHT .	1	

Hydraulic Tank (SN 694-)

Fig 05-02R04

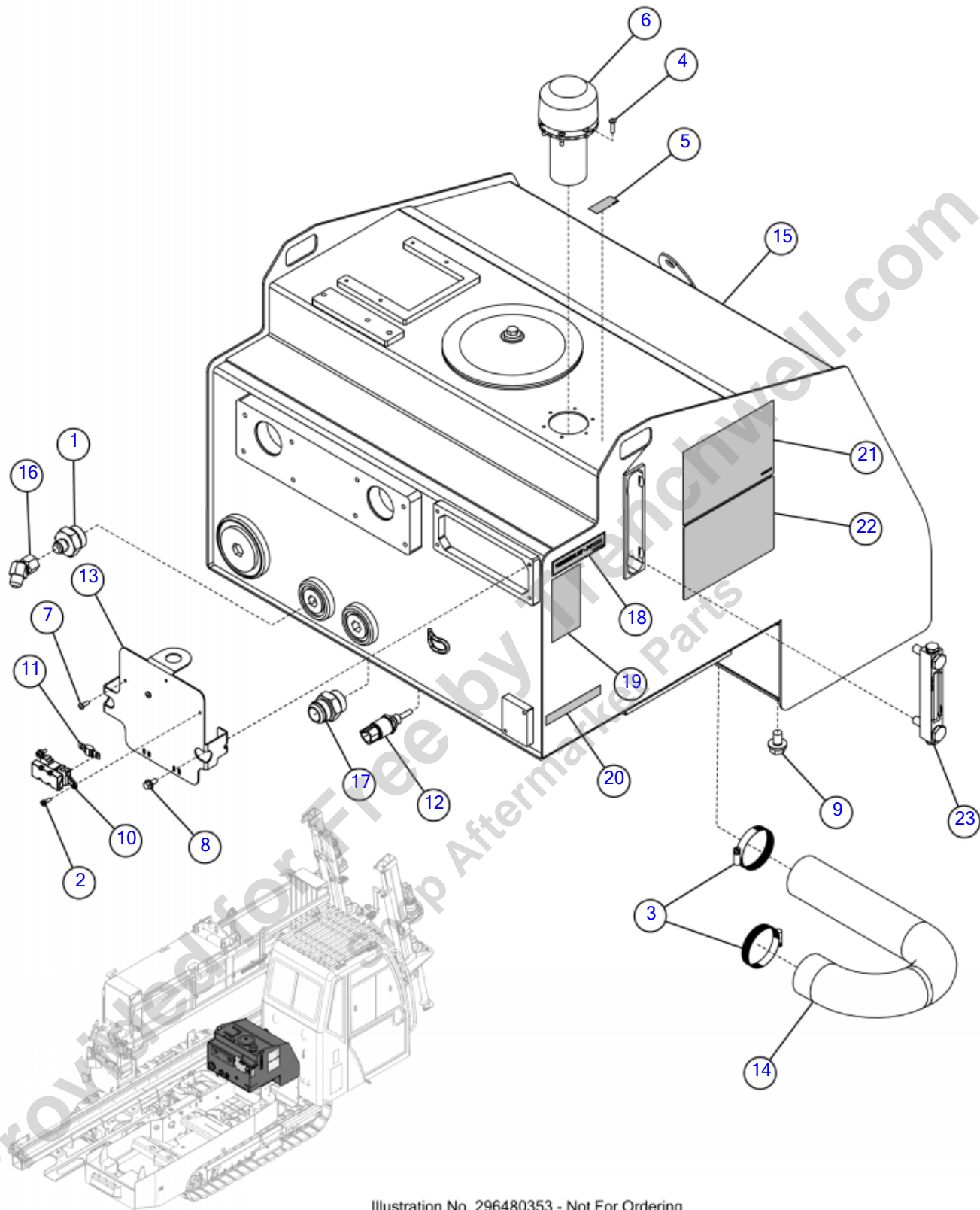


Illustration No. 296480353 - Not For Ordering

Hydraulic Tank (SN 694-)

Fig 05-02R04

REF NO.	PART NO.	DESCRIPTION	QTY.	REMARKS
1	100851001	FITTING-16MORINGX8MJIC STR.	1	
2	130745083	SCREW - MCH-8-32 X .50-PHILLIPS-CZ	2	
3	1580013	HOSE CLAMP - WORM GEAR - 2 1/16" - 3"	2	
4	163737583	SCREW-MCH-#10-32 X 0.75-GR2-CZ-PAN-PHILLIPS	6	
5	2326756	DECAL-HYDRAULIC OIL	1	Domestic
5	2326I756	DECAL-HYDRAULIC FLUID	1	International
7	242655001	SCREW-#10-24X1/2PAN HD PLT PHP	2	
8	296300751	SCREW HFS .25-20X.50 GR8	2	
9	296300873	SCREW HFS .50 13X.75 GR8	4	
10	296347155	MODULE - FUSE HOLDER MIDI	1	
11	296347161	FUSE-80A MIDI	1	
12	296394151	TEMP. TRANSDUCER-HYDAC 1" PROBE	1	
13	296424620	PLATE - TELEMATICS AND FUSE HOLDER	1	
14	296443765	HOSE-PUMP SUCTION	1	
15	296477513	ASSEMBLY - SERVICE HYDRAULIC TANK	1	Breakdown Fig. 5-2T01R01
15	(296477507)	ASSEMBLY - SEALED HYDRAULIC TANK	1	Breakdown Fig. 5-2T01R01
16	59406001	ELBOW-8M JICX8FS JIC 45 DEG.	1	
17	60907001	FITTING - 16M JICX16M STR ADAPT	1	
18	70000394	DECAL-VERMEER HY POWER	1	
19	7000C446	DECAL - NO WELD	1	Domestic
19	700IC446	DECAL - NO WELD	1	International
20	7000G647	DECAL-INFORMATION	1	
21	7000H117	DECAL-FLUID CAPACITIES	1	
22	700IG602	DECAL-MED. NAV. GREASE CHART	1	
23	81590001	GAUGE-SIGHT	1	

Breakdown-Sealed Tank (SN 423-)

Fig 05-02T01

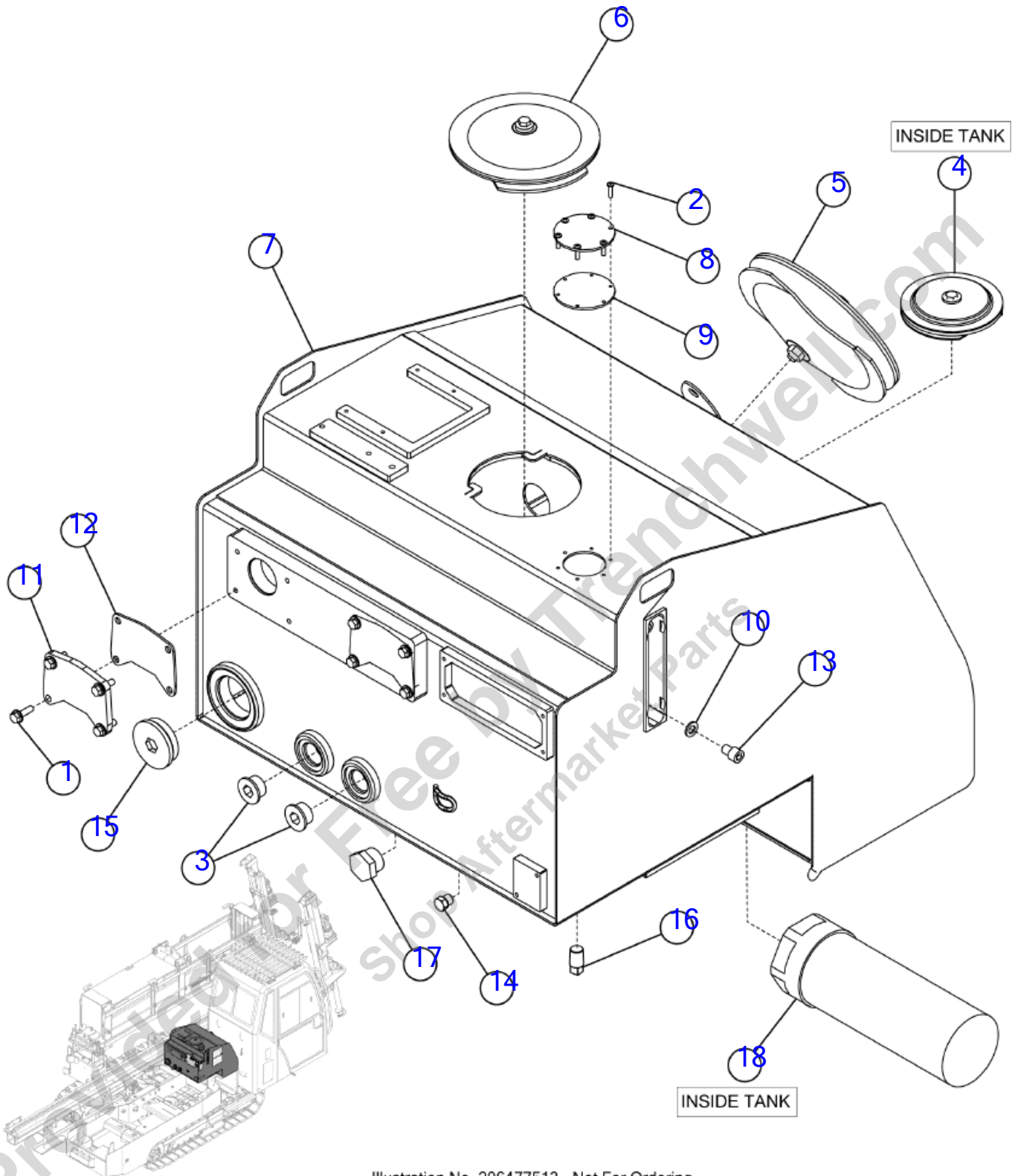


Illustration No. 296477513 - Not For Ordering

Breakdown-Sealed Tank (SN 423-)

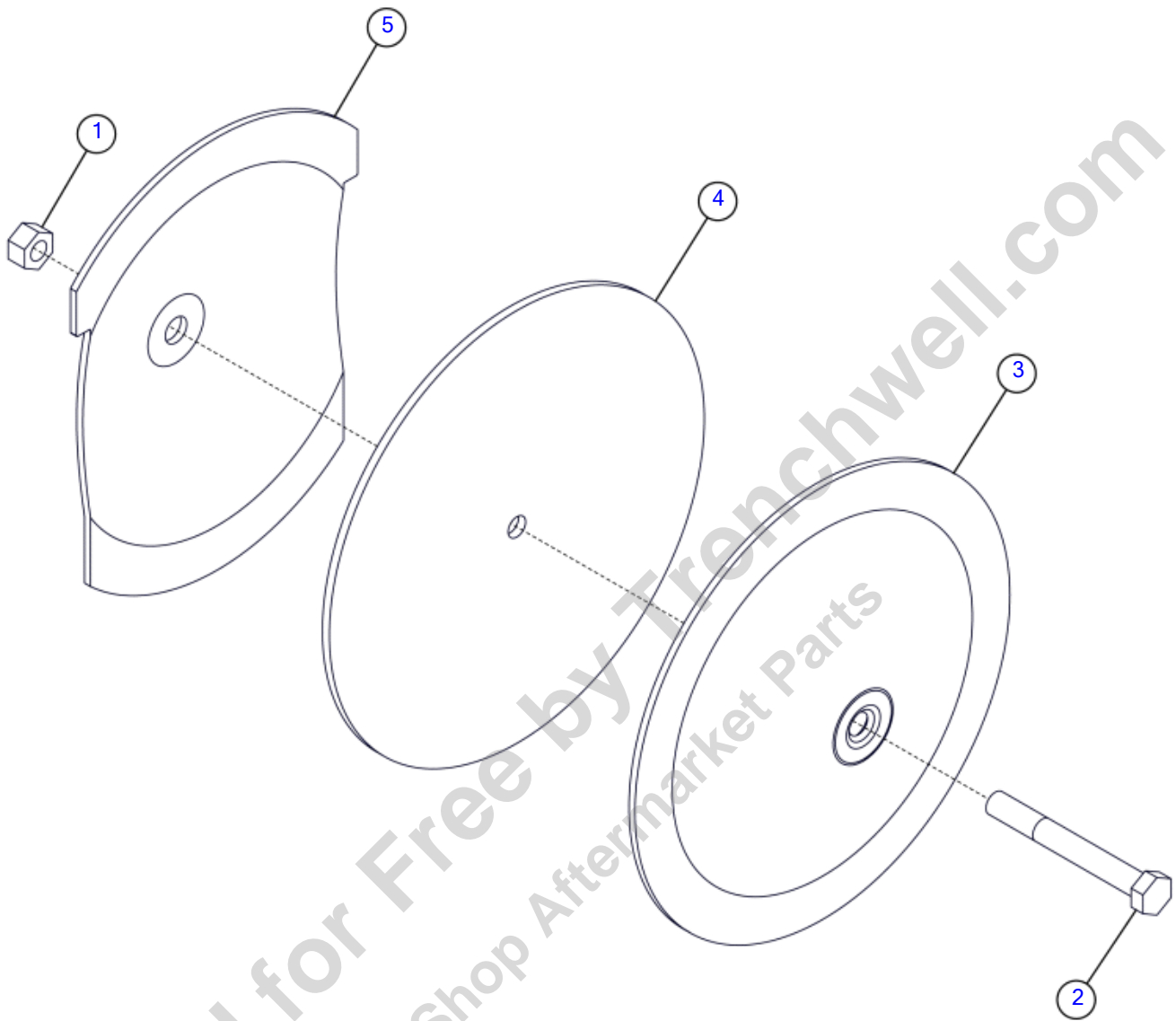
Fig 05-02T01

REF NO.	PART NO.	DESCRIPTION	QTY.	REMARKS
1	163682550	SCREW-HFS-.31-18 1.00 W/SEAL	8	
2	163737583	SCREW-MCH-#10-32 X 0.75-GR2-CZ-PAN-PHILLIPS	6	
3	289769001	PLUG, #16 ORB HHP	2	
4	296257231	COVER - 6 IN RESERVOIR END	1	Breakdown Fig. 5-2T04
5	296292015	TANK CLEAN OUT COVER-10"	1	Breakdown Fig. 5-2T02
6	296340798	COVER 8" OIL TANK	1	Breakdown Fig. 6-2T03
7	296477513	ASSEMBLY - SERVICE HYDRAULIC TANK	1	
7	(296426520)	WELDMENT - HYD TANK 55 GAL MEDIUM NAV	1	
8	296477508	6 HOLE PATTERN PLATE COVER	1	
9	296477509	6 HOLE PATTERN PLATE GASKET	1	
10	296477510	WASHER FOR SIGHT GLASS IN TANKS	2	
11	296477511	TANK COVER FOR MED NAV FILTERS	2	
12	296477512	TANK COVER FOR MED NAV FILTERS GASKET	2	
13	296477554	SCREW-SHCS-M12-1.75X15-12.9 CZ-0912	2	
14	5553001	FITTING - PLUG - 6MORB - HEX	1	
15	603930001	PLUG - #32 O RING HOLLOW HEX	1	
16	734001	PLUG-1/2" MAGNETIC	2	
17	81214001	PLUG- 16M	1	
18	98681001	FILTER-TANK 3 NPT OUTLET PORT	1	

Provided for Free by Trenchwell.com
Shop Aftermarket Parts

Breakdown-10in Clean Out Cover

Fig 05-02T02



Breakdown-10in Clean Out Cover

Fig 05-02T02

REF NO.	PART NO.	DESCRIPTION	QTY.	REMARKS
1	235731001	NUT-1/2-13 GR8 ZYC	1	
2	75381040	BOLT-1/2-UNCX4 GRADE 8 HEX	1	
2	(238244001)	BOLT 1/2"-13 X 4"GR8 HEX Y/ZIN	1	
3	296292052	10" OUTER COVER	1	
4	296292053	MOLDED BUNA N GASKET	1	
5	296292054	10" INNER COVER	1	
	296292015	TANK CLEAN OUT COVER-10"	1	Includes All Items In Figure

Provided for Free by Trenchwell.com
Shop Aftermarket Parts

Breakdown-8in Clean Out Cover

Fig 05-02T03

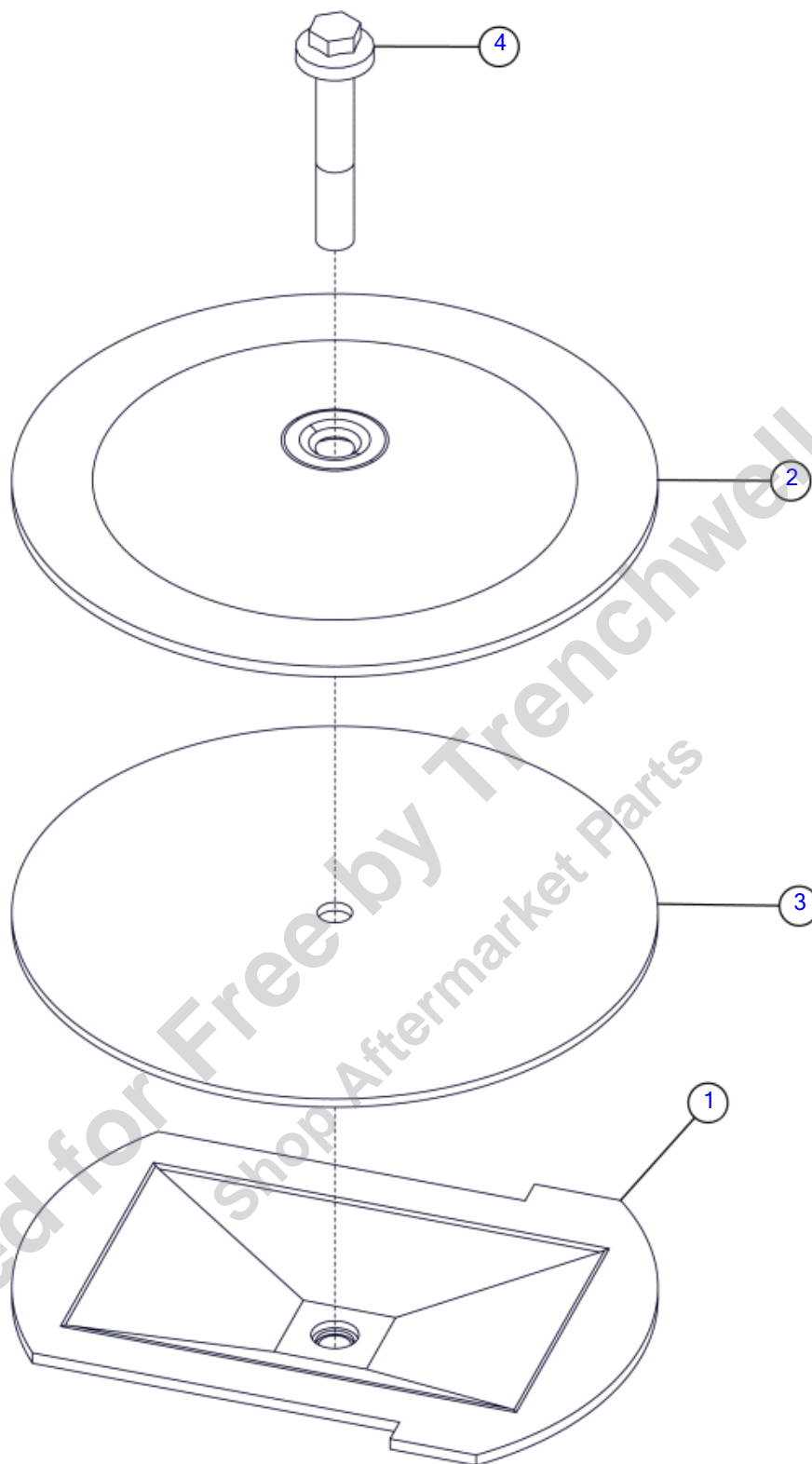


Illustration No. 296340798 - Not For Ordering

Breakdown-8in Clean Out Cover

Fig 05-02T03

REF NO.	PART NO.	DESCRIPTION	QTY.	REMARKS
1	296340789	INNER COVER 8"	1	
2	296340799	OUTER COVER - 8"	1	
3	296340800	GASKET 8"	1	
4	507613070	SCREW-HFS,M12-1.75X70,10.9,YZ,ANSI,B18.2.3.9M,PT	1	
	296340798	COVER 8" OIL TANK	1	Includes All Items In Figure

Provided for Free by Trenchwell.com
Shop Aftermarket Parts

Breakdown-6in Clean Out Cover
Fig 05-02T04

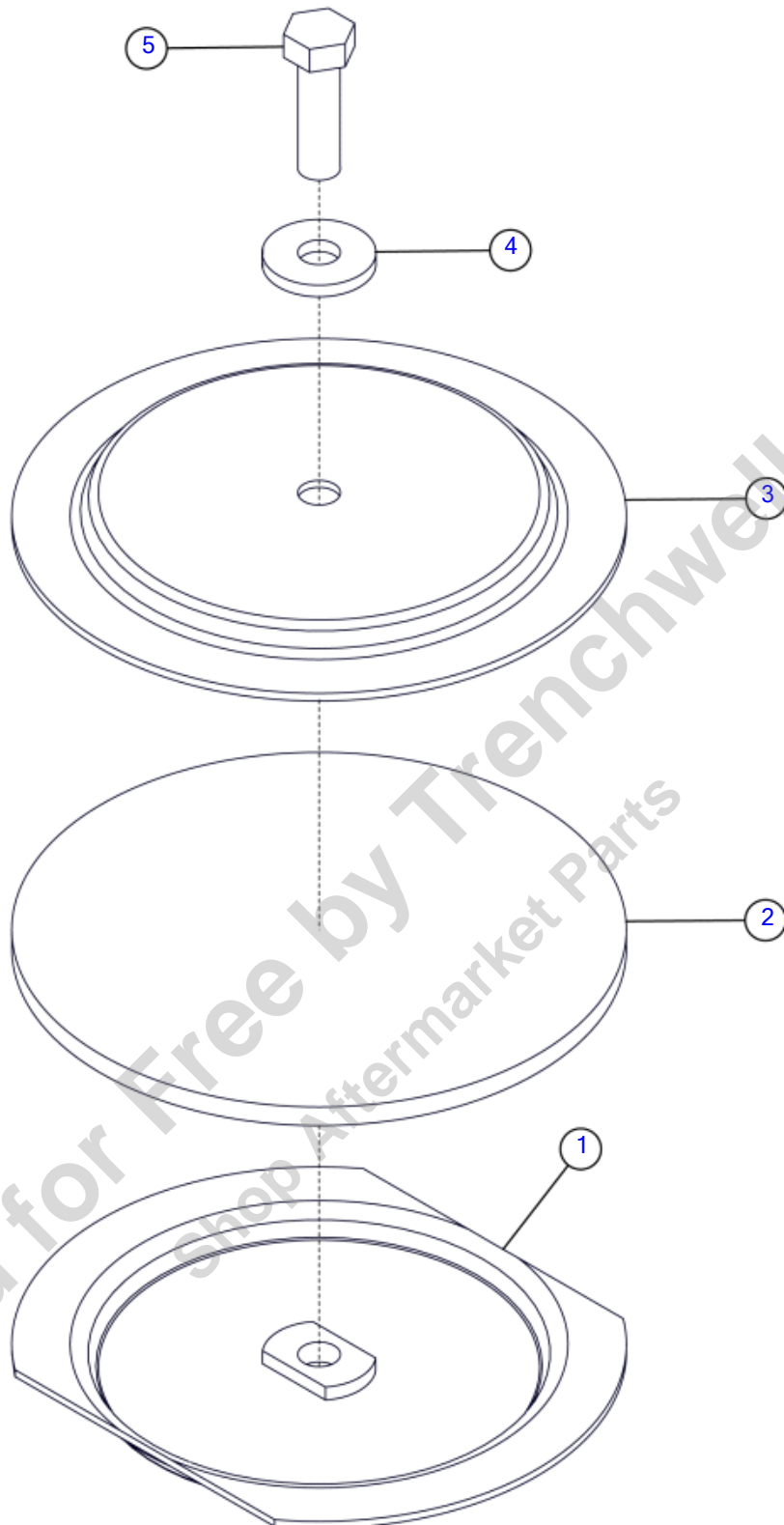


Illustration No. 296257231 - Not For Ordering

Breakdown-6in Clean Out Cover

Fig 05-02T04

REF NO.	PART NO.	DESCRIPTION	QTY.	REMARKS
1	296332273	6" CLEAN - OUT COVER BACK COVER WITH 3/8-16NC NUT	1	
2	296332274	6" CLEAN - OUT COVER BUNA - N GASKET	1	
3	296332275	6" CLEAN - OUT COVER FRONT COVER	1	
4	296332276	6" CLEAN - OUT COVER NYLON WASHER	1	
5	296332277	6" CLEAN - OUT COVER 3/8 - 16 BOLT	1	
	296257231	COVER - 6 IN RESERVOIR END	A/R	Includes All Items In Figure

Provided for Free by Trenchwell.com
Shop Aftermarket Parts

Return Filter Manifold

Fig 05-03

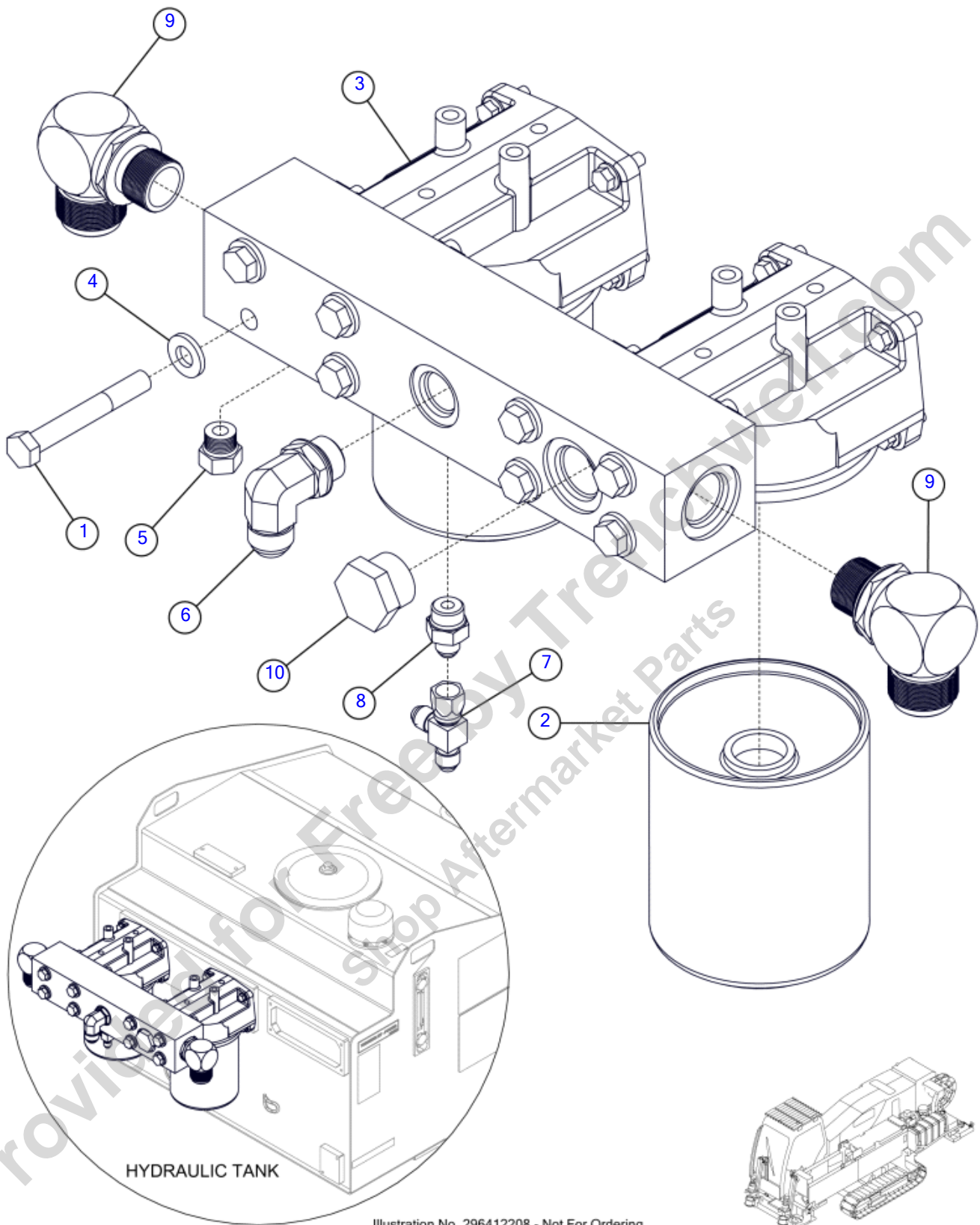


Illustration No. 296412208 - Not For Ordering

Return Filter Manifold

Fig 05-03

REF NO.	PART NO.	DESCRIPTION	QTY.	REMARKS
1	238213001	BOLT-1/2-13X3 3/4 GR8 HEX ZYC	8	
2	296269657	FILTER - 5 MICRON HYDRAULIC	2	
3	296443928	RETURN FILTER HEAD W/CHECK VALVES	1	Breakdown Fig. 5-3T01
4	485025	WASHER-1/2 FLAT-HARDENED-YZ	8	
5	56218001	FITTING - PLUG - 8MORB - HEX	1	
6	59410001	FITTING-90-12MJ-12MORBA	1	
7	59427001	TEE-6MJ-6FSJ-6MJ	1	
8	60247001	FITTING - 8M O-RING X 6M JIC ST.	1	
9	65573001	FITTING-16M X 20M JIC 90 DEGREE	2	
10	81214001	PLUG- 16M	1	

Provided for Free by Trenchwell.com
Shop Aftermarket Parts

Return Filter Manifold (SN 313-)

Fig 05-03R01

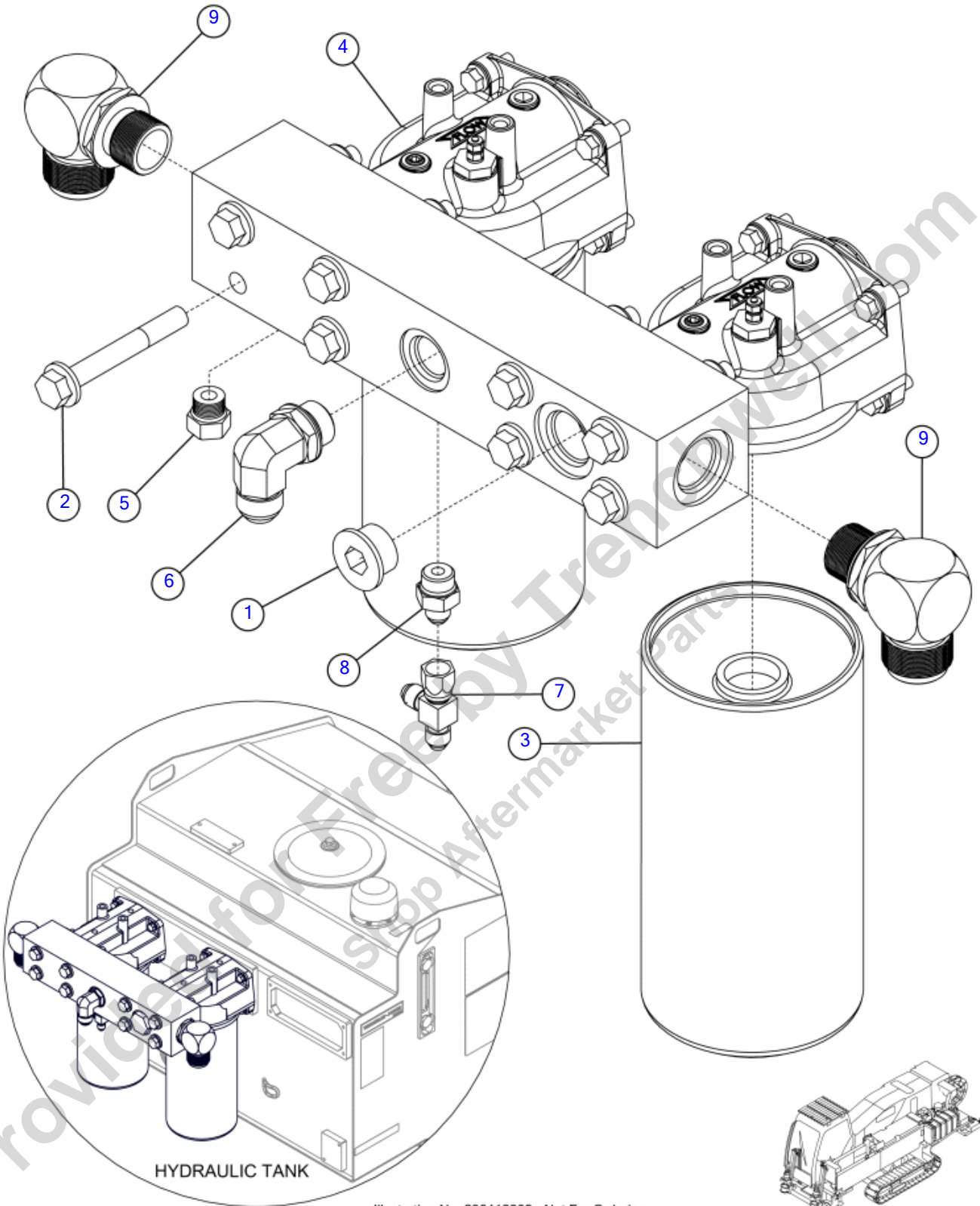


Illustration No. 296412208 - Not For Ordering

Return Filter Manifold (SN 313-)

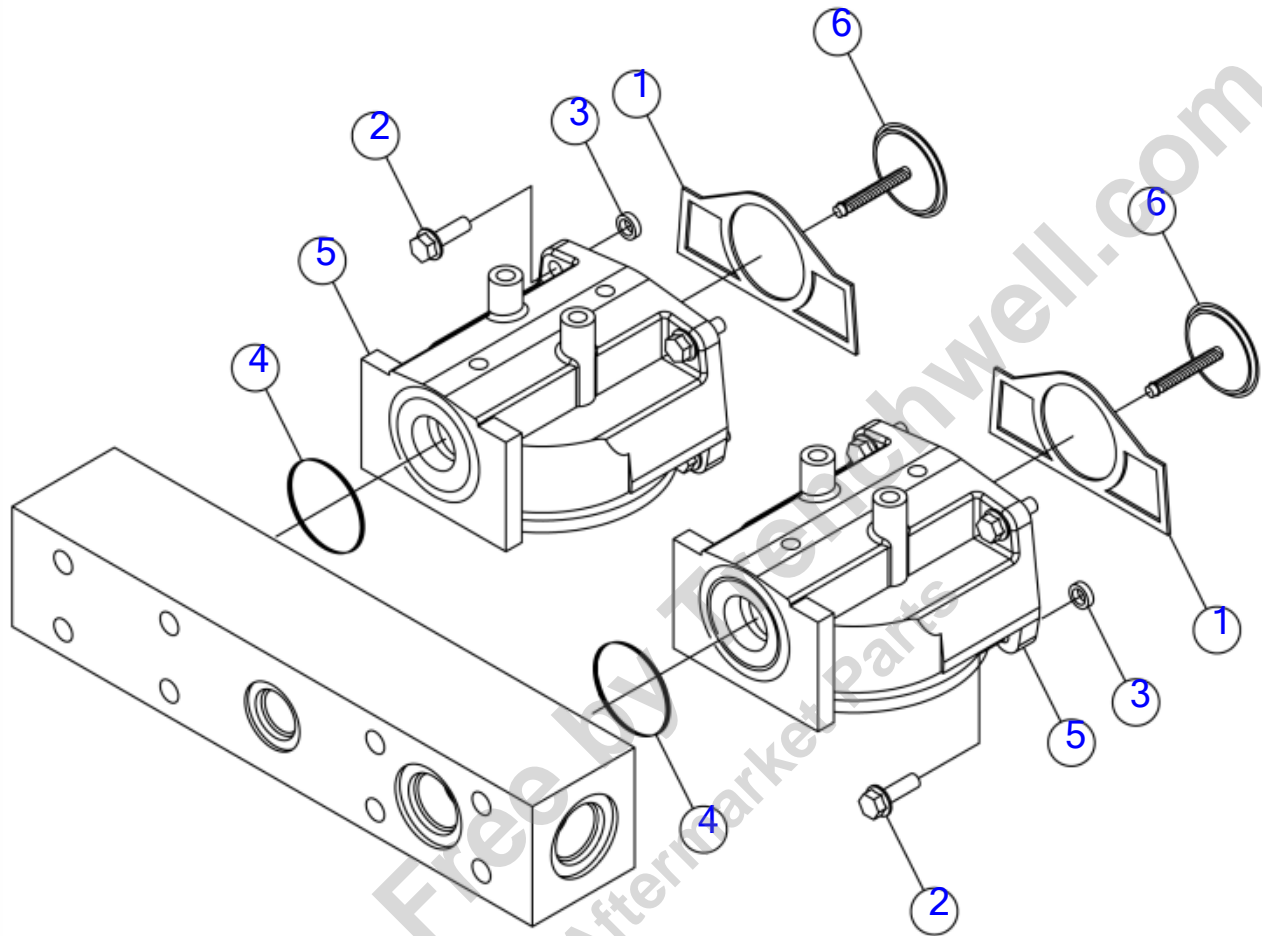
Fig 05-03R01

REF NO.	PART NO.	DESCRIPTION	QTY.	REMARKS
1	289769001	PLUG, #16 ORB HHP	1	
2	296300933	SCREW-HFS-.50-13X3.75-GR8-YZ	8	
3	296432777	40 GPM HYDRAULIC RETURN FILTER	2	(SN 313-)
		SN:000313--		
4	296443928	RETURN FILTER HEAD W/CHECK VALVES	1	Breakdown Fig. 5-3T01
5	56218001	FITTING - PLUG - 8MORB - HEX	1	
6	59410001	FITTING-90-12MJ-12MORBA	1	
7	59427001	TEE-6MJ-6FSJ-6MJ	1	
8	60247001	FITTING - 8M O-RING X 6M JIC ST.	1	
9	65573001	FITTING-16M X 20M JIC 90 DEGREE	2	

Provided for Free by Trenchwell.com
Shop Aftermarket Parts

Breakdown-Return Filter Head w/ Check Valves

Fig 05-03T01



Breakdown-Return Filter Head w/ Check Valves

Fig 05-03T01

REF NO.	PART NO.	DESCRIPTION	QTY.	REMARKS
1	251140003	GASKET	2	
2	4474010	BOLT-5/16-18X1 FLG.WHIZ PLATED	8	
3	84551003	ORING	8	
3	(278858003)	SEAL- FLANGE (FLUOROCARBON)	8	
4	296302413	ORING	2	
5	251140001	HEAD - FILTER	2	
6	296454151	CHECK VALVE KIT	1	
	296443928	RETURN FILTER HEAD W/CHECK VALVES	1	Includes All Items Listed Above

Provided for Free by Trenchwell.com
Shop Aftermarket Parts

Torque Limiter & Shuttle Valves (SN 101-1063)

Fig 05-04

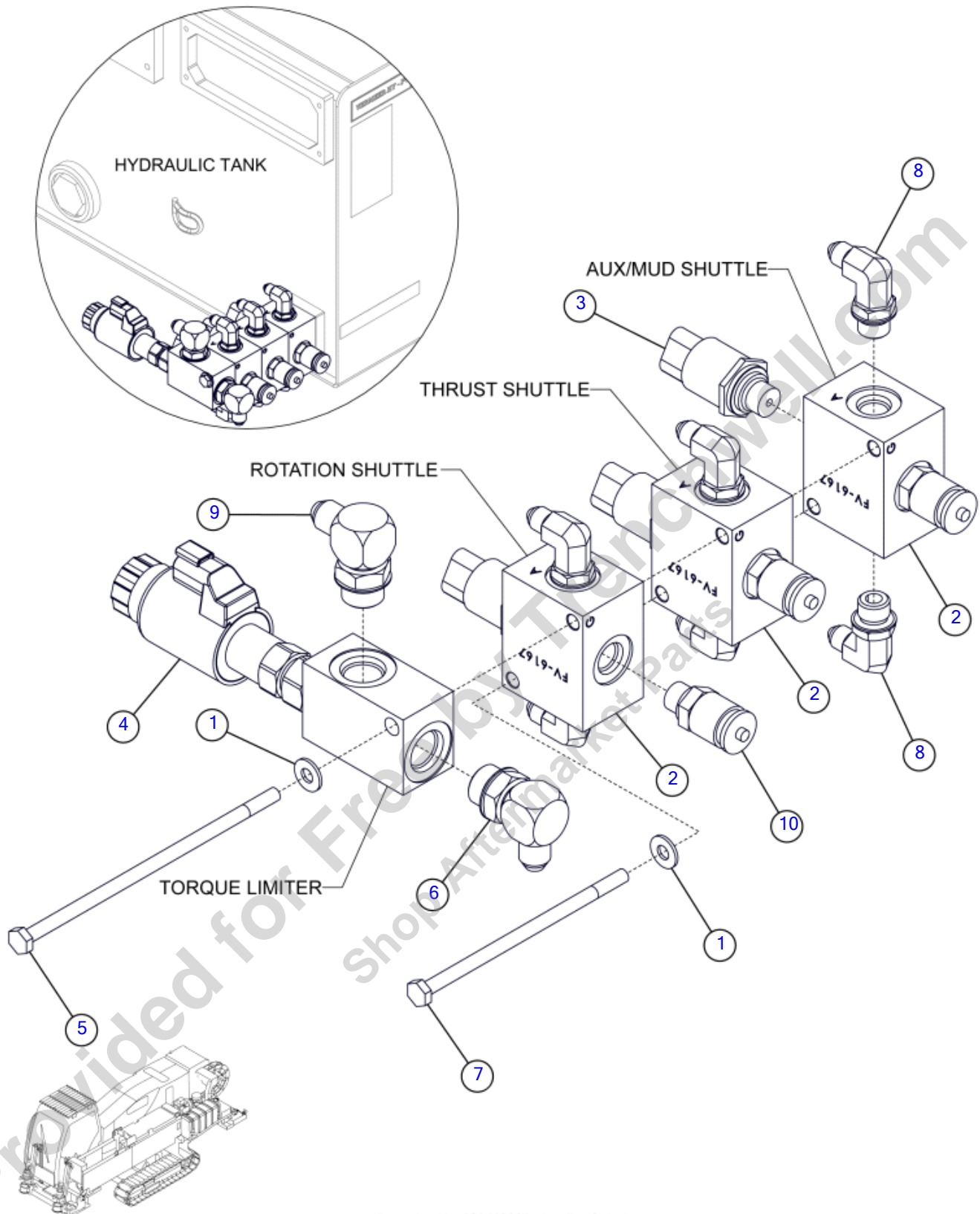


Illustration No. 296412205 - Not For Ordering

Torque Limiter & Shuttle Valves (SN 101-1063)

Fig 05-04

REF NO.	PART NO.	DESCRIPTION	QTY.	REMARKS
1	235716001	WASHER - FLATSTRL - .25 -.28 X .63 - .06 - CZ	2	
2	296260411	VALVE - SHUTTLE	3	
3	296282516	TRANSDUCER 7500 PSI HYDAC	3	
4	296394145	VALVE-REMOTE VARIABLE PRESSURE LIMITER	1	Breakdown Fig. 5-4T01
5	296412204	SCREW-HCS-.25-20X6.25-GR8-YZ	1	
6	296443851	FITTING-90-6MJ-8MORBA-R.075	1	
7	296505204	SCREW-HCS-1/4-20 X 5-GR8-YZ	1	
8	57950001	FITTING - 90-6MORBA-4MJ	6	
9	57954001	FITTING-8M O-RING X 6M JIC 90 DEGS	1	
10	72056001	FITTING-TEST-6MORB-16MTP	3	

Provided for Free by Trenchwell.com
Shop Aftermarket Parts

Torque Limiter & Shuttle Valves (SN 1064-)

Fig 05-04R01

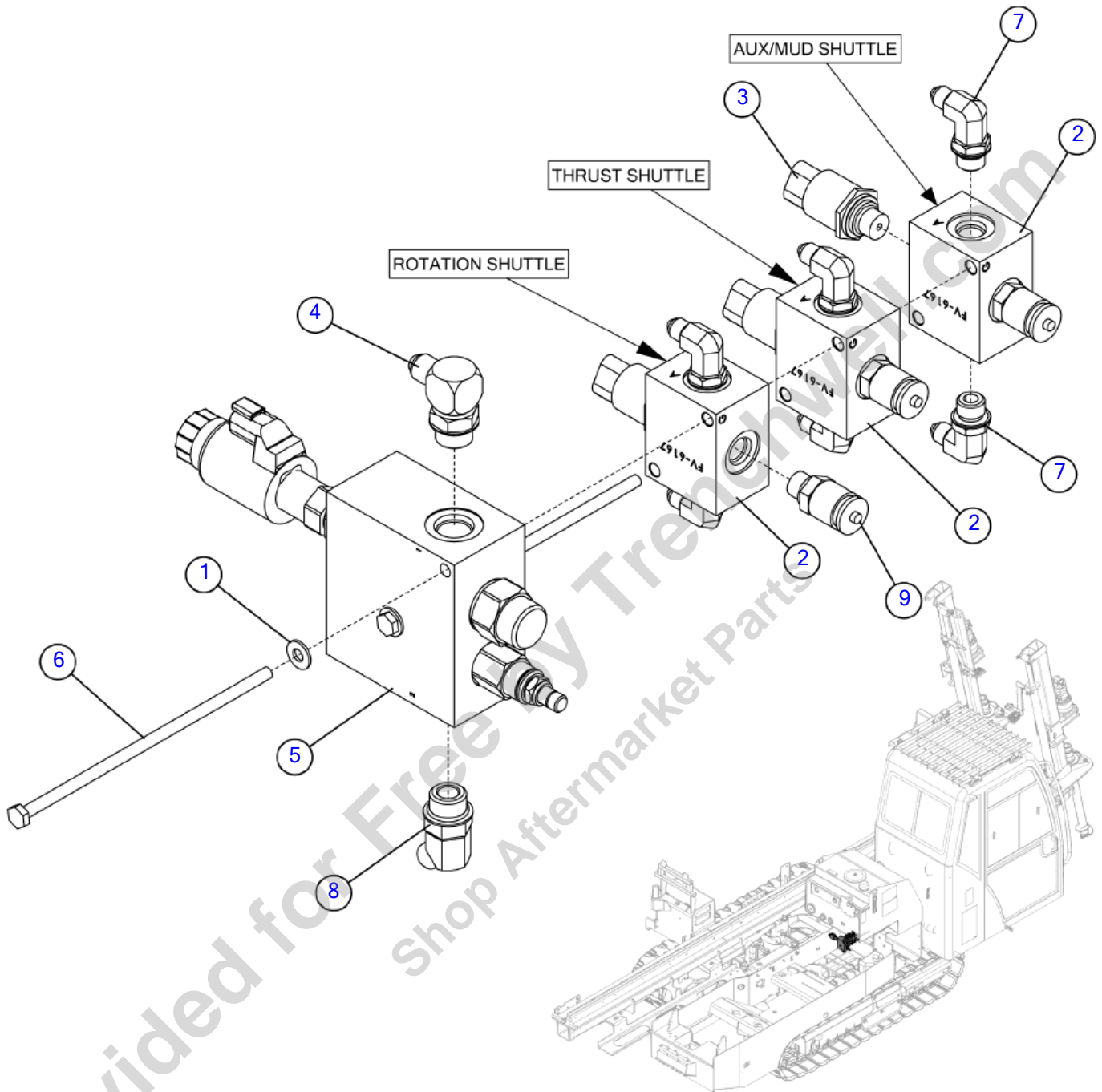


Illustration No. 296412205 - Not For Ordering

Torque Limiter & Shuttle Valves (SN 1064-)

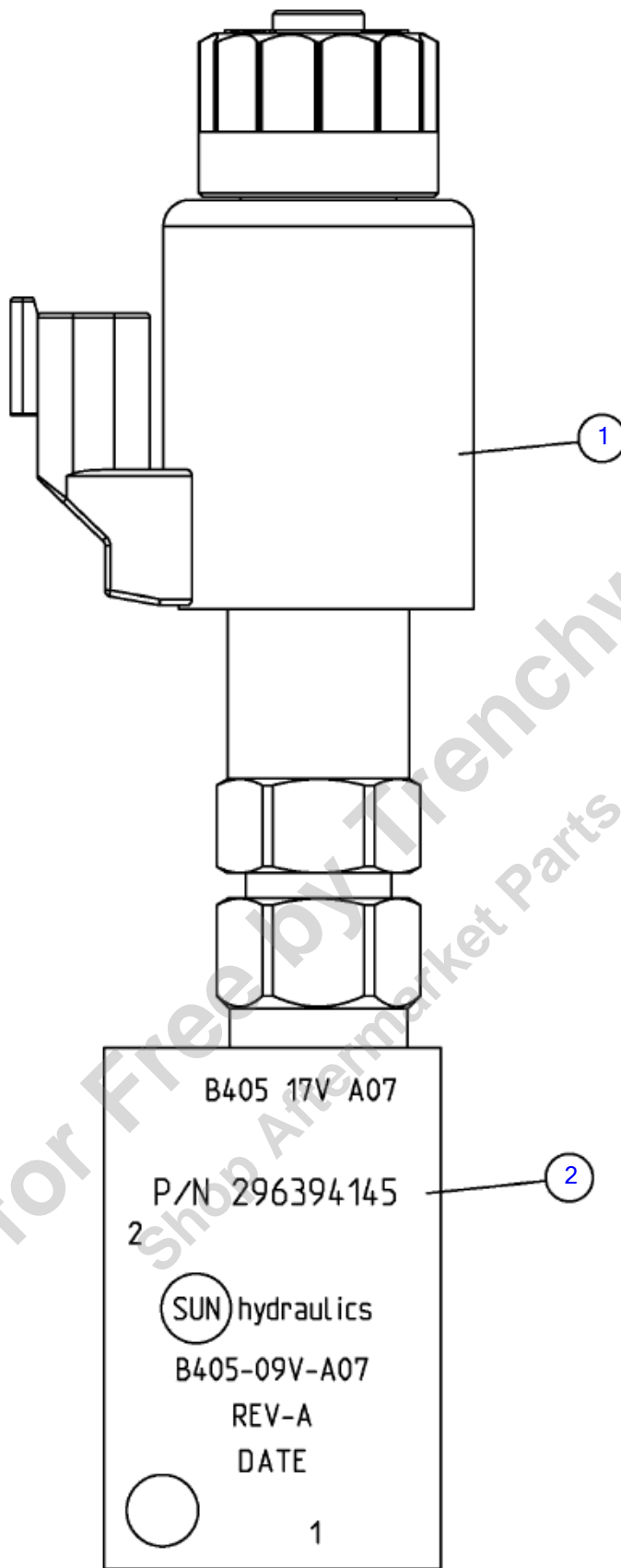
Fig 05-04R01

REF NO.	PART NO.	DESCRIPTION	QTY.	REMARKS
1	235716001	WASHER - FLATSTRL - .25 -.28 X .63 - .06	2	
2	296260411	VALVE - SHUTTLE	3	
3	296282516	TRANSDUCER 7500 PSI HYDAC	3	
4	296443851	FITTING-90-6MJ-8MORBA-R.075	1	
5	296477973	TORQUE LIMITER VALVE WITH FILTER	1	Breakdown Fig. 5-4T01R01
6	296477980	SCREW-HCS-.25-20X7-GR8	2	
7	57950001	FITTING - 90-6MORBA-4MJ	6	
8	59425001	FITTING-6M JICX8M ADJ.45 ELBOW	1	
9	72056001	FITTING-TEST-6MORB-16MTP	3	

Provided for Free by Trenchwell.com
Shop Aftermarket Parts

Breakdown-Torque Limiter Valve (SN 101-1063)

Fig 05-04T01



Breakdown-Torque Limiter Valve (SN 101-1063)

Fig 05-04T01

REF NO.	PART NO.	DESCRIPTION	QTY.	REMARKS
1	296454090	PILOT OPERATED RELIEF W/ PROP PILOT CONTROL	1	
2		BODY	A/R	
	296394145	VALVE-REMOTE VARIABLE PRESSURE LIMITER	1	Includes All Items Listed Above

Provided for Free by Trenchwell.com
Shop Aftermarket Parts

Breakdown-Torque Limiter Valve (SN 1046-)

Fig 05-04T01R01

Breakdown limited because: special tools or training required,
parts not available, may void warranty, and/or not cost effective.

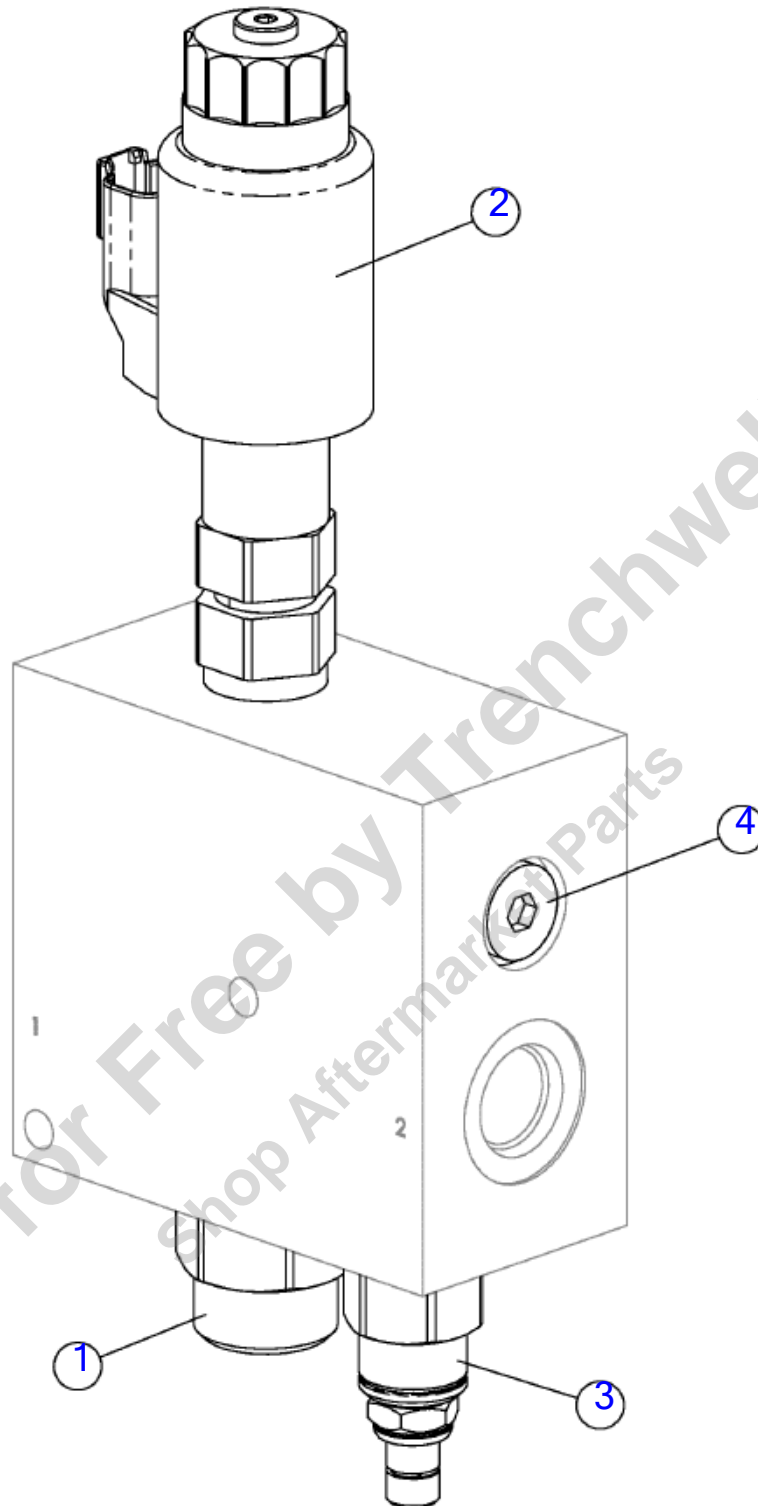


Illustration No. 296477973_BD-Not For Ordering

Breakdown-Torque Limiter Valve (SN 1046-)

Fig 05-04T01R01

REF NO.	PART NO.	DESCRIPTION	QTY.	REMARKS
1	296525905	FILTER CARTRIDGE	1	
2	296454090	PILOT OPERATED RELIEF W/ PROP PILOT CONTROL	1	
3	296525906	RELIEF VALVE	1	
4	296386492	O-RING HEX BOSS PLUG	1	
	296477973	TORQUE LIMITER VALVE WITH FILTER	1	Includes Refs. 1-4.

Provided for Free by Trenchwell.com
Shop Aftermarket Parts

Return Valve

Fig 05-05

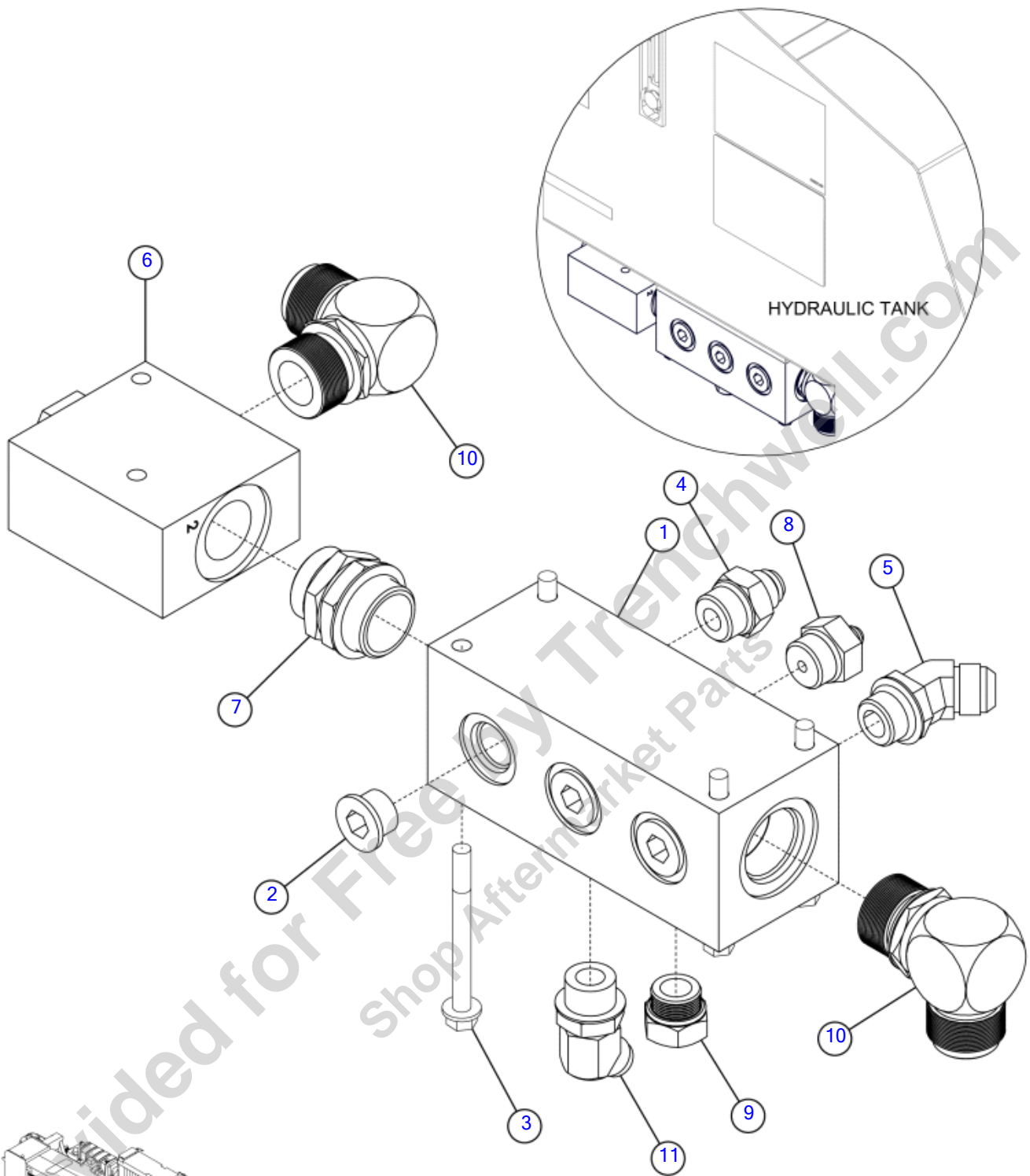


Illustration No. 296412206 - Not For Ordering

Return Valve

Fig 05-05

REF NO.	PART NO.	DESCRIPTION	QTY.	REMARKS
1	283674001	MANIFOLD - HYD. RETURN	1	
2	289768001	PLUG, #12 ORB HHP	3	
3	296300941	SCREW-HFS-.38-16X4.00 GR8 YZ	4	
4	53854001	FITTING-12M O-RING-10M JIC ST.	1	
5	60718001	FITTING - 45 12MJ 12MORBA	1	
6	607743001	VALVE-THERMAL BYPASS	1	Breakdown Fig. 5-5T01
7	608012001	FITTING-20M ORINGX20M OR	1	
8	64168001	FITTING-12MX6 JIC M STR.	1	
9	67570001	FITTING - PLUG - 12MORB - HEX	1	
10	77137001	FITTING-20MX20M JIC 90 DEG.	2	
11	88659001	FITTING-12M ORINGX10MJIC 45DEG	1	

Provided for Free by Trenchwell.com
Shop Aftermarket Parts

Breakdown-BypassValve

Fig 05-05T01

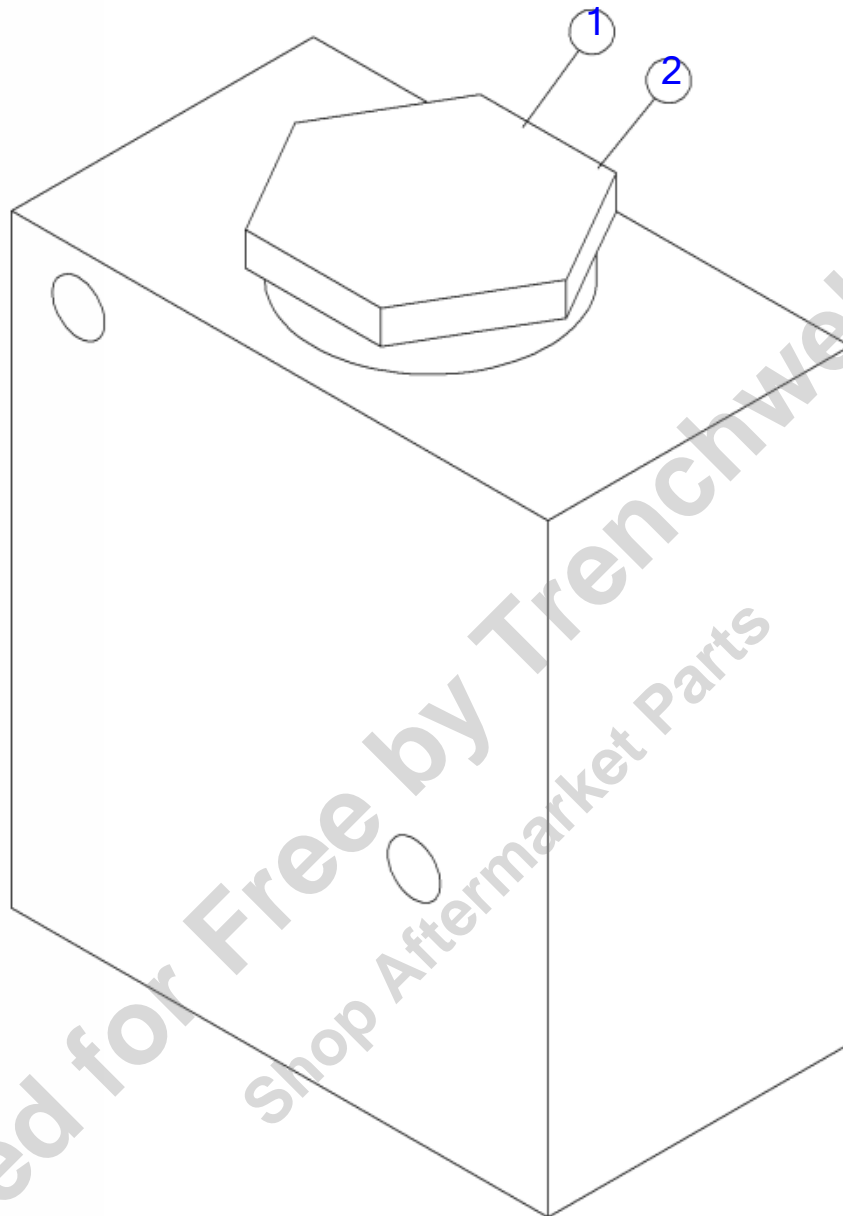


Illustration No: 607743001

Breakdown-BypassValve

Fig 05-05T01

REF NO.	PART NO.	DESCRIPTION	QTY.	REMARKS
1	296454101	CALTHERM TEMPERATURE SENSING LOGIC VALVE	1	
2	296454102	REMOVABLE ORIFICE (0.032")	1	
	607743001	VALVE-THERMAL BYPASS	1	Includes All Items Listed Above

Provided for Free by Trenchwell.com
Shop Aftermarket Parts

Shift Selector Valve

Fig 05-06

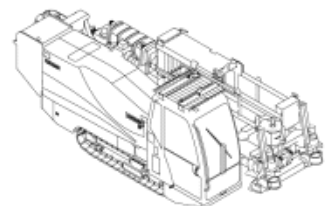
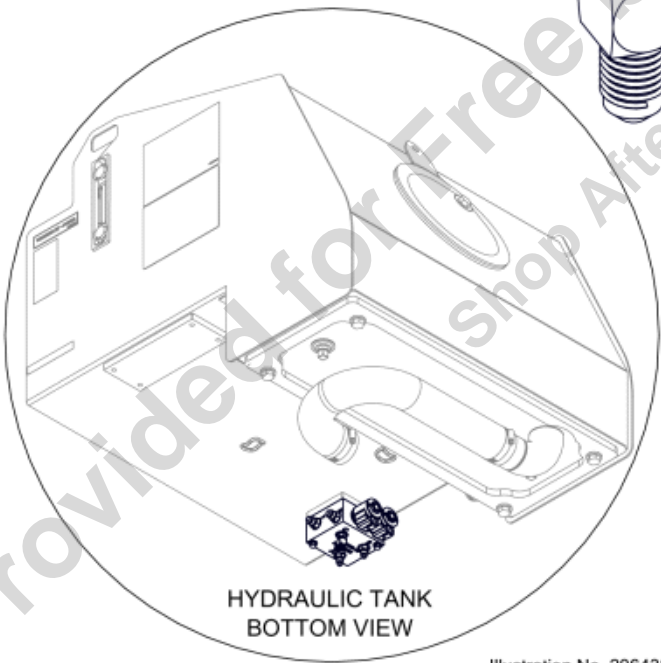
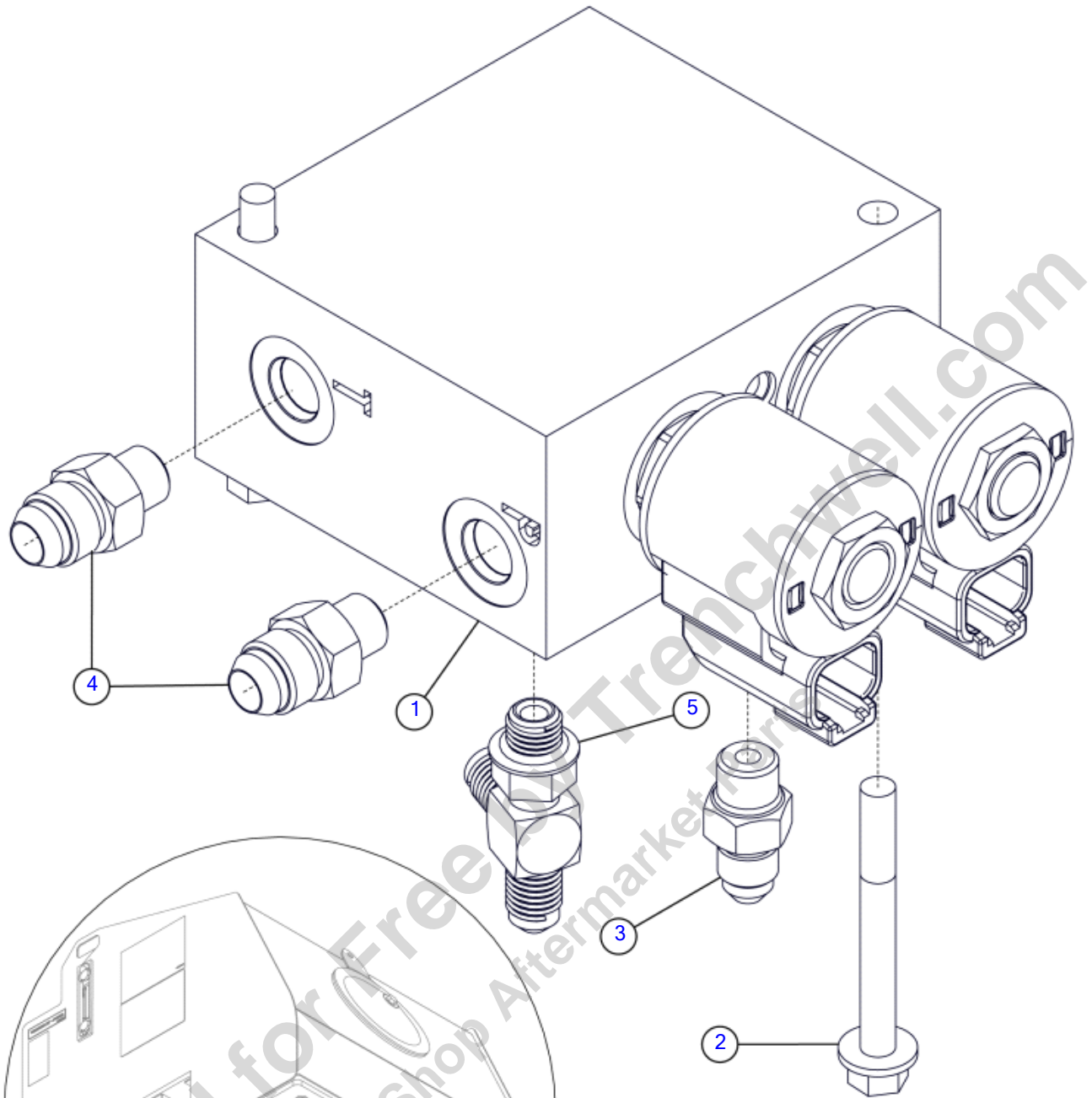


Illustration No. 296438261 - Not For Ordering

Shift Selector Valve

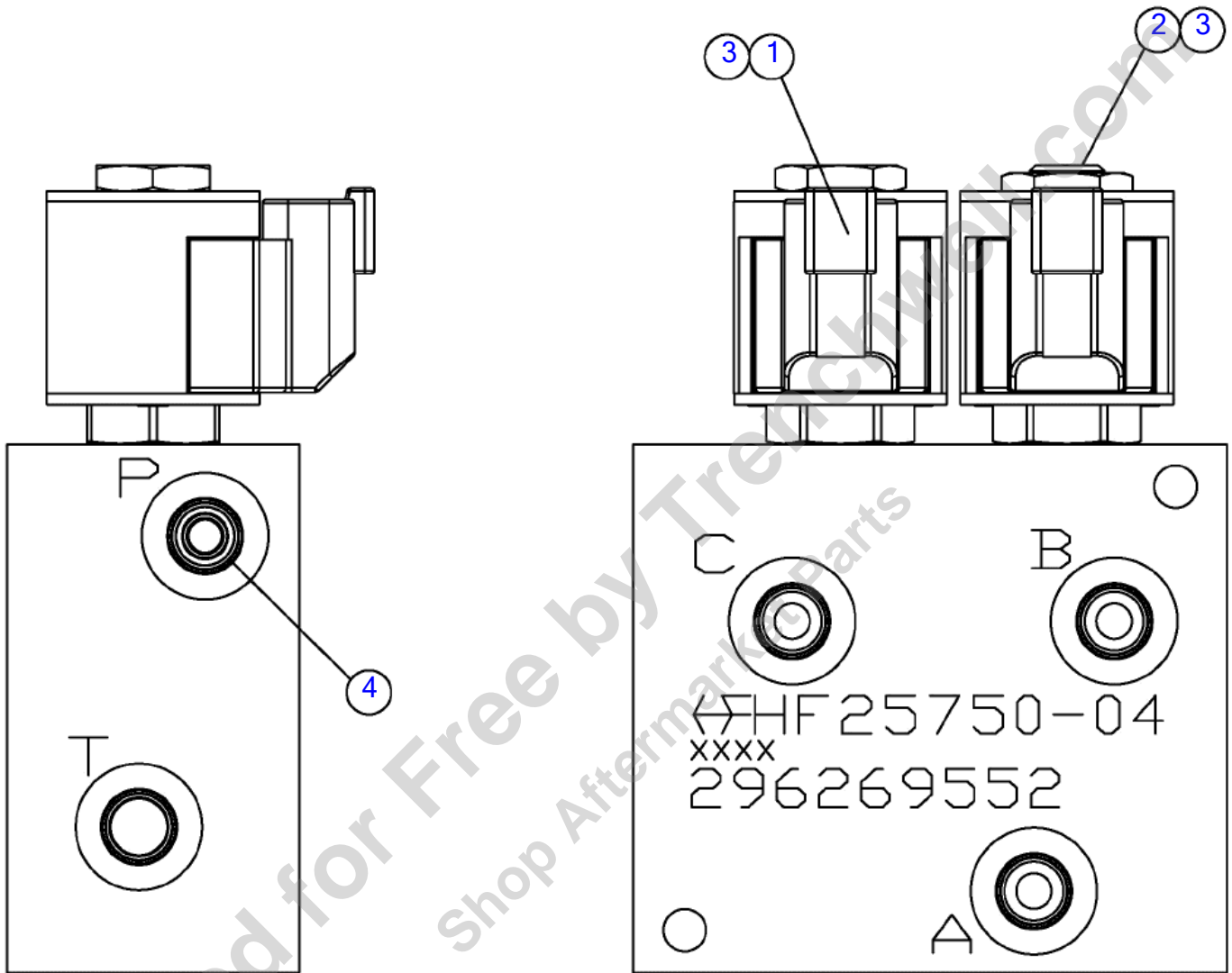
Fig 05-06

REF NO.	PART NO.	DESCRIPTION	QTY.	REMARKS
1	296269552	VALVE -DIVERter	1	Breakdown Fig. 5-6T01
2	296300759	SCREW HFS .25 20 X 2.25 GR8 YZ	2	
3	60908001	FITTING-4MX4M JIC STR ADAPTER	2	
4	65569001	FITTING STR 6MJ - 4MORB	2	
5	81342001	FITTING-RTEE-4MJ-4MORBA-4MJ	1	

Provided for Free by Trenchwell.com
Shop Aftermarket Parts

Breakdown-Shift Selector Valve

Fig 05-06T01



Breakdown-Shift Selector Valve

Fig 05-06T01

REF NO.	PART NO.	DESCRIPTION	QTY.	REMARKS
1	228124017	CARTRIDGE SOLENOID	1	
1	161159001	SEAL KIT	1	
1	244725007	NUT - COIL	1	
2	234863005	CARTRIDGE	1	
2	244725011	SEAL KIT	1	
2	244725007	NUT - COIL	1	
3	296271115	COIL	2	
4	296251096	ORIFICE PLUG	1	
	278267015	PLUG	1	Not Shown
	296269552	VALVE -DIVERTER	1	Includes All Items In Figure

Provided for Free by Trenchwell.com
Shop Aftermarket Parts

Fleet - Cellular (SN 101-1061)

Fig 05-07

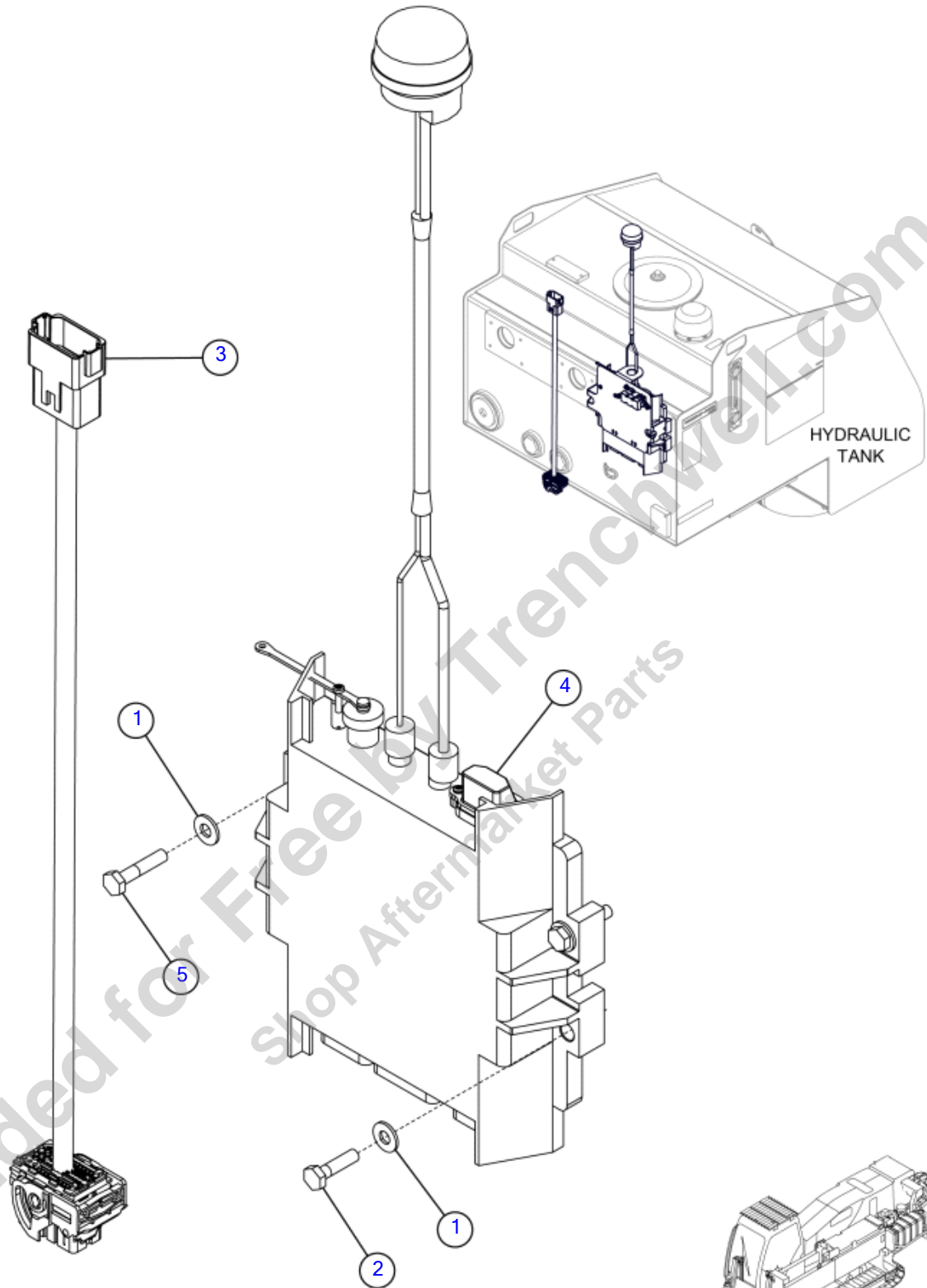


Illustration No. 296412201 - Not For Ordering

Fleet - Cellular (SN 101-1061)

Fig 05-07

REF NO.	PART NO.	DESCRIPTION	QTY.	REMARKS
1	235716001	WASHER - FLATSTRL - .25 -.28 X .63 - .06 - CZ	4	
2	235735001	BOLT-1/4-20X1 GR8 HEX ZYC	2	
3	296365545	HARNESS - 18IN PHOENIX TCU INTERCONNECT	1	
4	296365587	ASM - PENTABAND TCU W/ 3FT ANTENNA	1	
5	510300012	SCREW-HCS-.25-20X1.25-GR5-YZ	2	

Provided for Free by Trenchwell.com
Shop Aftermarket Parts

Telematics (SN 1062-, 2001-)

Fig 05-07R01

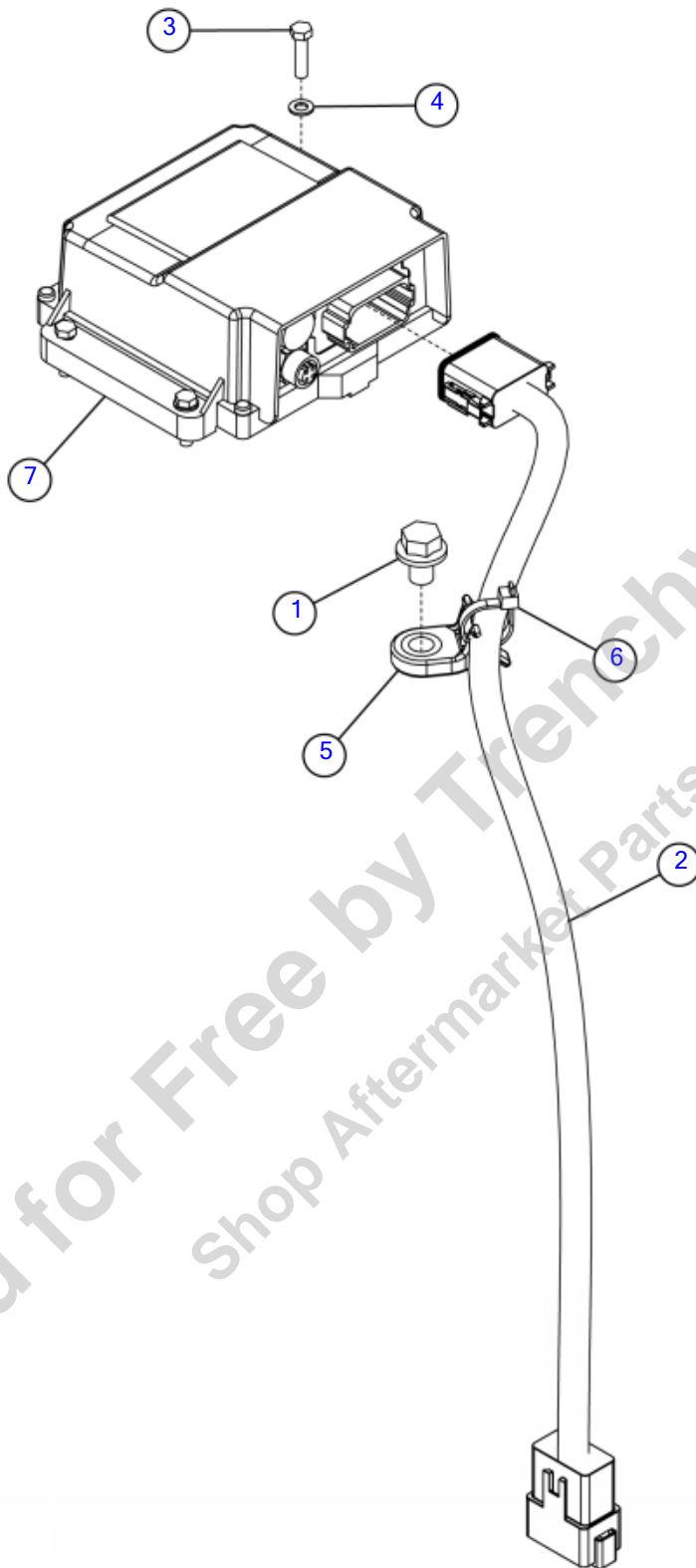


Illustration No. 296534115 - Not For Ordering

Telematics (SN 1062-, 2001-)

Fig 05-07R01

REF NO.	PART NO.	DESCRIPTION	QTY.	REMARKS
1	296300922	SCREW-HFS-.38-16X.50-GR8	1	
2	296534214	HARNESS-TCU 2FT	1	
3	506030020	SCREW,HCS,M5,.80X20,8.8,D933,FT	4	
4	506046005	WASHER - FLAT M5 D125A	4	
5	510508208	CABLE TIE MOUNT-HIGH TORQUE HEAVY DUTY WITH METAL	1	
6	59634001	SINGLE NYTIE - 8"	1	
7	631868523	CONTROLLER-4G TCU	1	

Provided for Free by Trenchwell.com
Shop Aftermarket Parts

Breakdown-Pentaband TCU W/ Antenna (SN 101-1061)

Fig 05-07T01

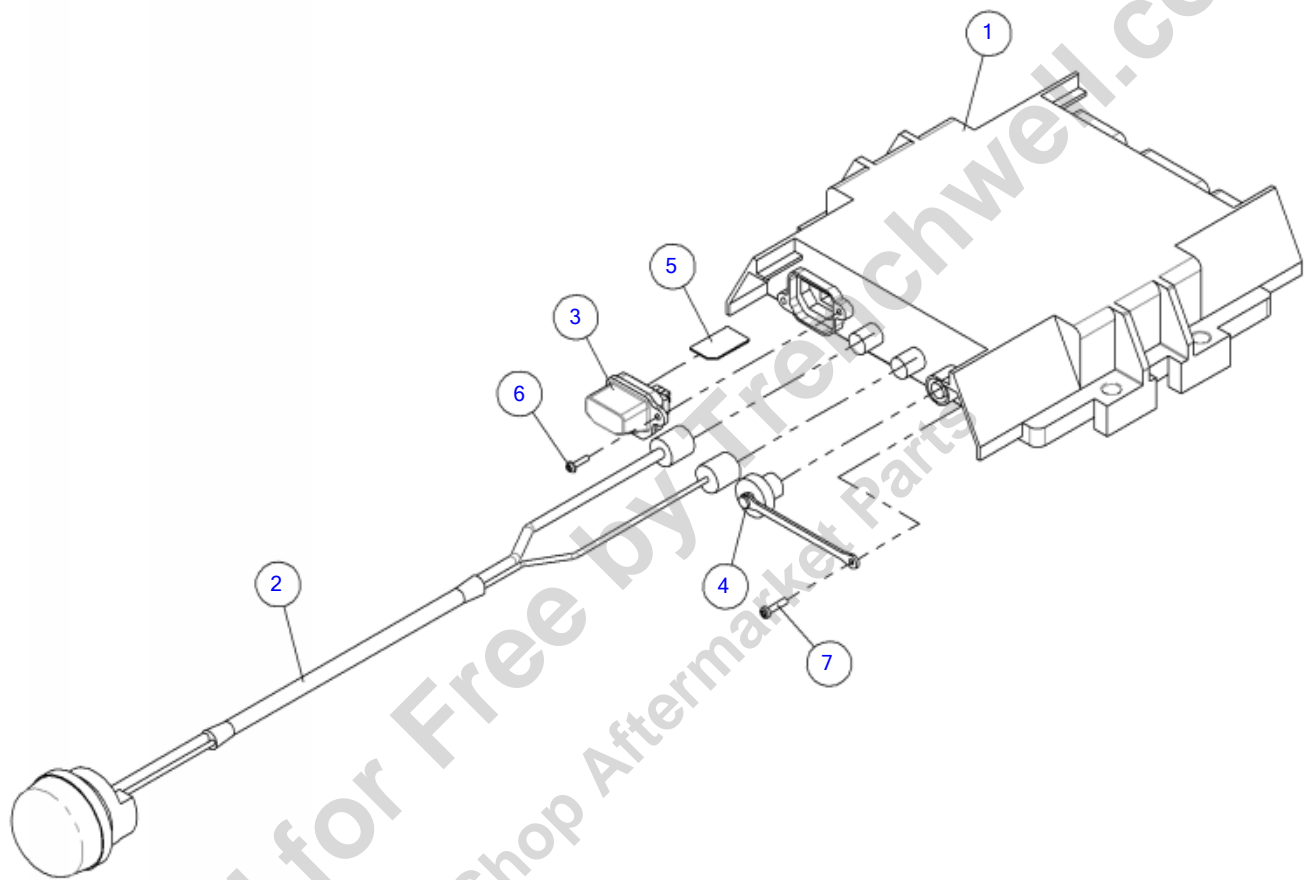


Illustration No: 296365587

Breakdown-Pentaband TCU W/ Antenna (SN 101-1061)

Fig 05-07T01

REF NO.	PART NO.	DESCRIPTION	QTY.	REMARKS
1	296365523	CONTROLLER - PENTABAND TCU	1	
2	296365592	ANTENNA - 3FT PENTABAND CELL AND GPS	1	
3	296365606	ADAPTER - TCU SIM PLUG	1	
4	296365607	CAP - TCU ETHERNET, W/ TETHER	1	
5	296365596	SIM CARD - ATT DOMESTIC MARKETS	1	
6	296365670	SCREW - TCU SIM PLUG	2	
7	296365671	SCREW - TCU ETHERNET CAP	1	
	296365587	ASM - PENTABAND TCU W/ 3FT ANTENNA	1	Includes All Items listed Above

Provided for Free by Trenchwell.com
Shop Aftermarket Parts

Hood-Non-Cab (SN 101-729)

Fig 05-08

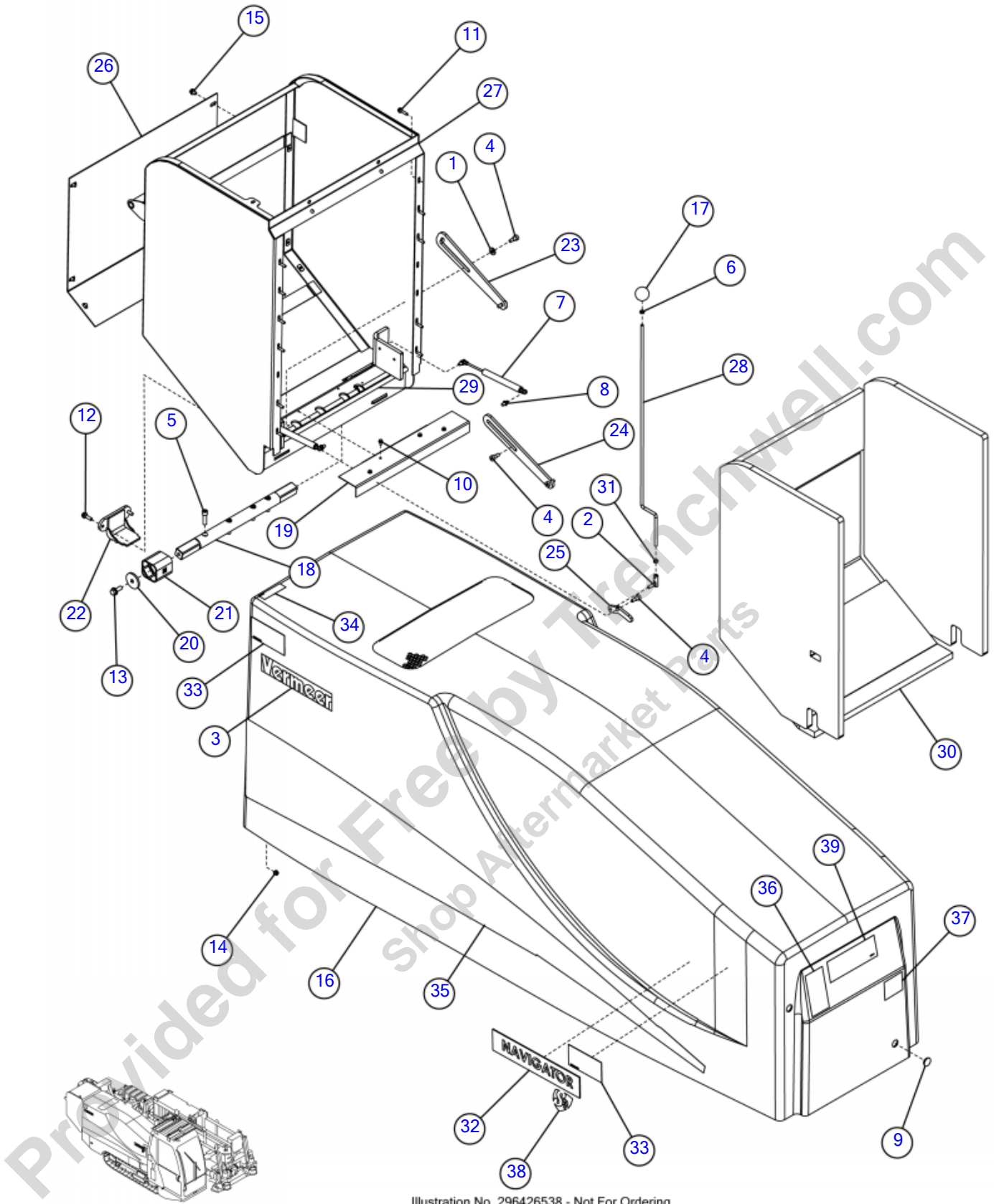


Illustration No. 296426538 - Not For Ordering

Hood-Non-Cab (SN 101-729)

Fig 05-08

REF NO.	PART NO.	DESCRIPTION	QTY.	REMARKS
1	127362001	WASHER-1/2 HARD.FLAT/PLATED	1	
2	1490001	BALL JOINT - 3/8" SPG 1004	1	
3	2326619	DECAL- VERMEER 3 X 15	1	
4	240056001	SCREW-SHSS-.50X.50-.38-16THD-CZ	5	
5	243907001	SCREW-1/2 - 13X1 3/4 SHC ZP	4	
6	250576001	NUT-3/8 NC HEX JAM W/Y-ZINC	1	
7	251144001	SPRING - GAS ASSIST W/O STUDS (CANNOT AIR FREIGHT)	2	
8	285784001	BALL - STUD	4	
9	296280859	PLUG - HOLE -STEEL DOME - 1.125"	1	
10	296300751	SCREW HFS .25-20X.50 GR8-YZ	4	
11	296300764	SCREW-HFS-.31-18X1.25-GR8-YZ	12	
12	296300773	SCREW-HFS-.38-16X1.25-GR8-YZ	4	
13	296300789	SCREW-HFS-.50-13X1.25-GR8-YZ	2	
14	296300849	NUT-HEXFLGTL-.31-18-G-YZ	12	
15	296300922	SCREW-HFS-.38-16X.50-GR8-YZ	6	
16	296370263	HOOD ASSEMBLY ENGINE COVER	1	Includes Handle (Pocket Pull)
16	254875003	POCKET PULL	1	Replacement Handle
17	296424616	KNOB-2" DIAMETER 3/8"-16 THREAD	1	
18	296426625	SHAFT-HOOD MOUNT	1	
19	296426632	PLATE - HOOD HINGE SEAL	1	
20	296426635	PLATE - HOOD HINGE LOCATING	2	
21	296426641	MOUNT-RUBBER SUSPENSION UNIT DR-S 45X80	2	
22	296426663	WELDMENT - HOOD SPRING RETAINING	2	
23	296432083	PLATE - HOOD LOCK	1	
24	296432084	PLATE - HOOD CATCH	1	
25	296432087	PLATE - LINK UNLOCK	1	
26	296432101	PLATE - FRONT ACCESS	1	
27	296432112	WELDMENT - HOOD SCOOP	1	
28	296432123	ROD - LATCH RELEASE LINKAGE	1	
29	296432135	SEAL - 3/4 X 9/16 ADH BACKED RUBBER	1	
30	296432149	FOAM KIT-HOOD SCOOP SERIES III D24/36	1	
31	510029301	NUT - HEX JAM - .38-24-GR5-YZ	1	
32	7000A010	DECAL-MODEL NAVIGATOR(MEDIUM)	1	
33	7000A576	DECAL-DANGER	2	Domestic
33	700IA576	DECAL-DANGER	2	International
34	7000B388	DECAL - HOOD LATCH	1	
35	7000D175	DECAL D24X40II STRIPE	1	
36	7000F691	DECAL-WARNING, ROLLOVER CAN CRUSH	1	Domestic
36	700IF691	DECAL-WARNING, ROLLOVER CAN CRUSH	1	International
37	7000F825	DECAL-SMALL MACHINE ID, BAR CODE	1	
38	7000G232	DECAL-S3 BADGE	1	
39	7000B812	DECAL - WARNING	1	Domestic
39	700IB812	DECAL - WARNING	1	International

Hood-Non-Cab (SN 730-1106)

Fig 05-08R01

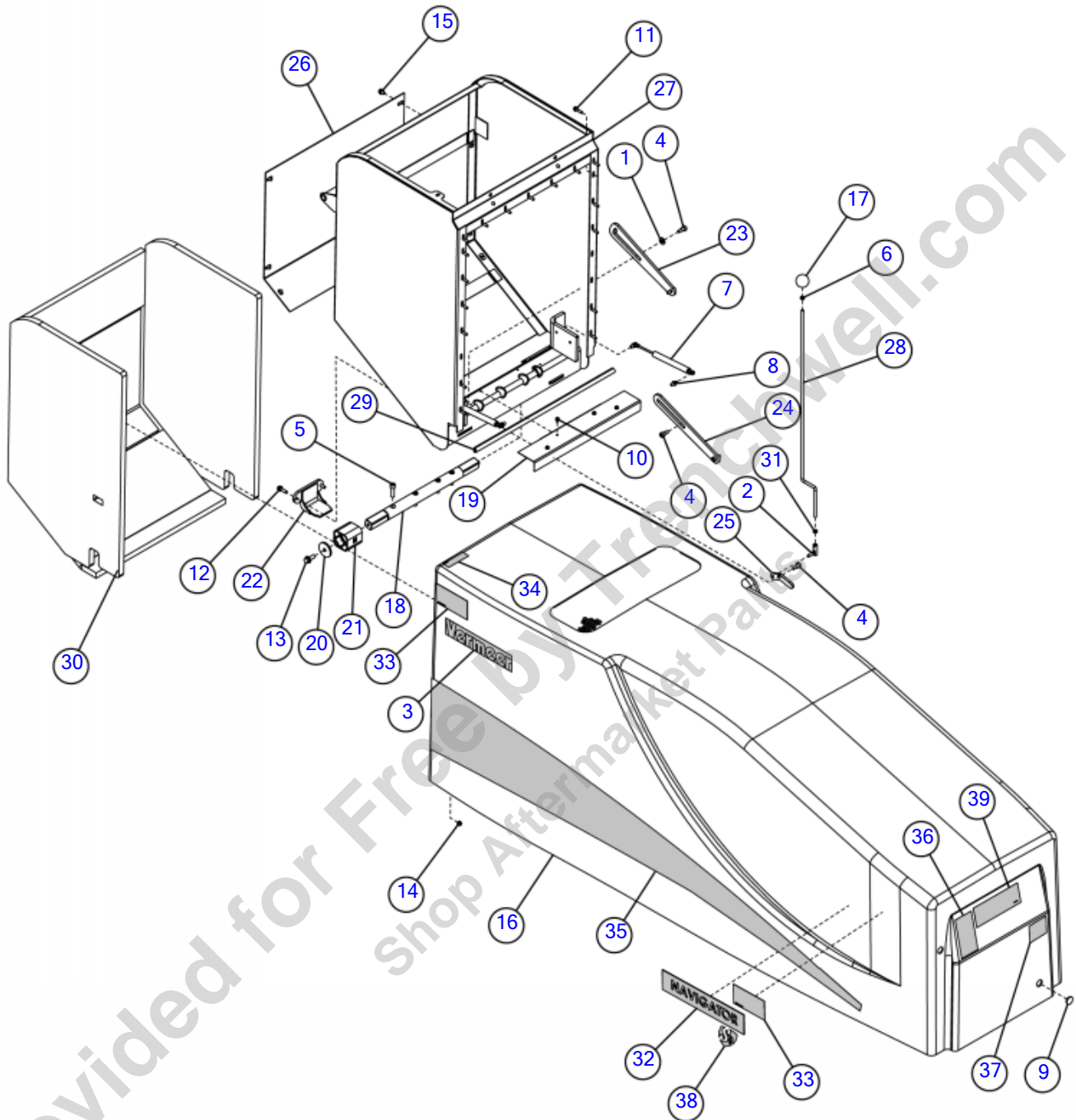


Illustration No. 296426538 - Not For Ordering

Hood-Non-Cab (SN 730-1106)

Fig 05-08R01

REF NO.	PART NO.	DESCRIPTION	QTY.	REMARKS
1	127362001	WASHER-1/2 HARD.FLAT	1	
2	1490001	BALL JOINT - 3/8" SPG 1004	1	
3	2326619	DECAL- VERMEER 3 X 15	1	
4	240056001	SCREW-SHSS-.50X.50-.38-16THD-CZ	5	
5	243907001	SCREW-1/2 - 13X1 3/4 SHC ZP	4	
6	250576001	NUT-3/8 NC HEX JAM	1	
7	251144001	SPRING - GAS ASSIST W/O STUDS (HAZMAT LTL ONLY)	2	
8	285784001	BALL - STUD	4	
9	296280859	PLUG - HOLE -STEEL DOME - 1.125"	1	
10	296300751	SCREW HFS .25-20X.50 GR8	4	
11	296300764	SCREW-HFS-.31-18X1.25-GR8	19	
12	296300773	SCREW-HFS-.38-16X1.25-GR8	4	
13	296300789	SCREW-HFS-.50-13X1.25-GR8	2	
14	296300849	NUT-HEXFLGTL-.31-18-G	19	
15	296300922	SCREW-HFS-.38-16X.50-GR8	6	
16	296370263	HOOD ASSEMBLY ENGINE COVER	1	Includes Handle (Pocket Pull)
16	254875003	POCKET PULL	1	Replacement Handle
17	296424616	KNOB-2" DIAMETER 3/8"-16 THREAD	1	
18	296426625	SHAFT-HOOD MOUNT	1	
19	296426632	PLATE - HOOD HINGE SEAL	1	
20	296426635	PLATE - HOOD HINGE LOCATING	2	
21	296426641	MOUNT-RUBBER SUSPENSION UNIT DR-S 45X80	2	
22	296426663	WELDMENT - HOOD SPRING RETAINING	2	
23	296432083	PLATE - HOOD LOCK	1	
24	296432084	PLATE - HOOD CATCH	1	
25	296432087	PLATE - LINK UNLOCK	1	
26	296432101	PLATE - FRONT ACCESS	1	
27	296432112	WELDMENT - HOOD SCOOP	1	
28	296432123	ROD - LATCH RELEASE LINKAGE	1	
29	296432135	SEAL - 3/4 X 9/16 ADH BACKED RUBBER	1	
30	296432149	FOAM KIT-HOOD SCOOP SERIES III D24/36	1	
31	510029301	NUT - HEX JAM - .38-24-GR5-YZ	1	
32	7000A010	DECAL-MODEL NAVIGATOR(MEDIUM)	1	
33	7000A576	DECAL-DANGER	2	Domestic
33	700IA576	DECAL-DANGER	2	International
34	7000B388	DECAL - HOOD LATCH	1	
35	7000D175	DECAL D24X40II STRIPE	1	
36	7000F691	DECAL-WARNING, ROLLOVER CAN CRUSH	1	Domestic
36	700IF691	DECAL-WARNING, ROLLOVER CAN CRUSH	1	International
37	7000F825	DECAL-SMALL MACHINE ID, BAR CODE	1	
38	7000G232	DECAL-S3 BADGE	1	
39	7000B812	DECAL - WARNING	1	Domestic
39	700IB812	DECAL - WARNING	1	International

Hood-Non-Cab (SN 1107-)

Fig 05-08R02

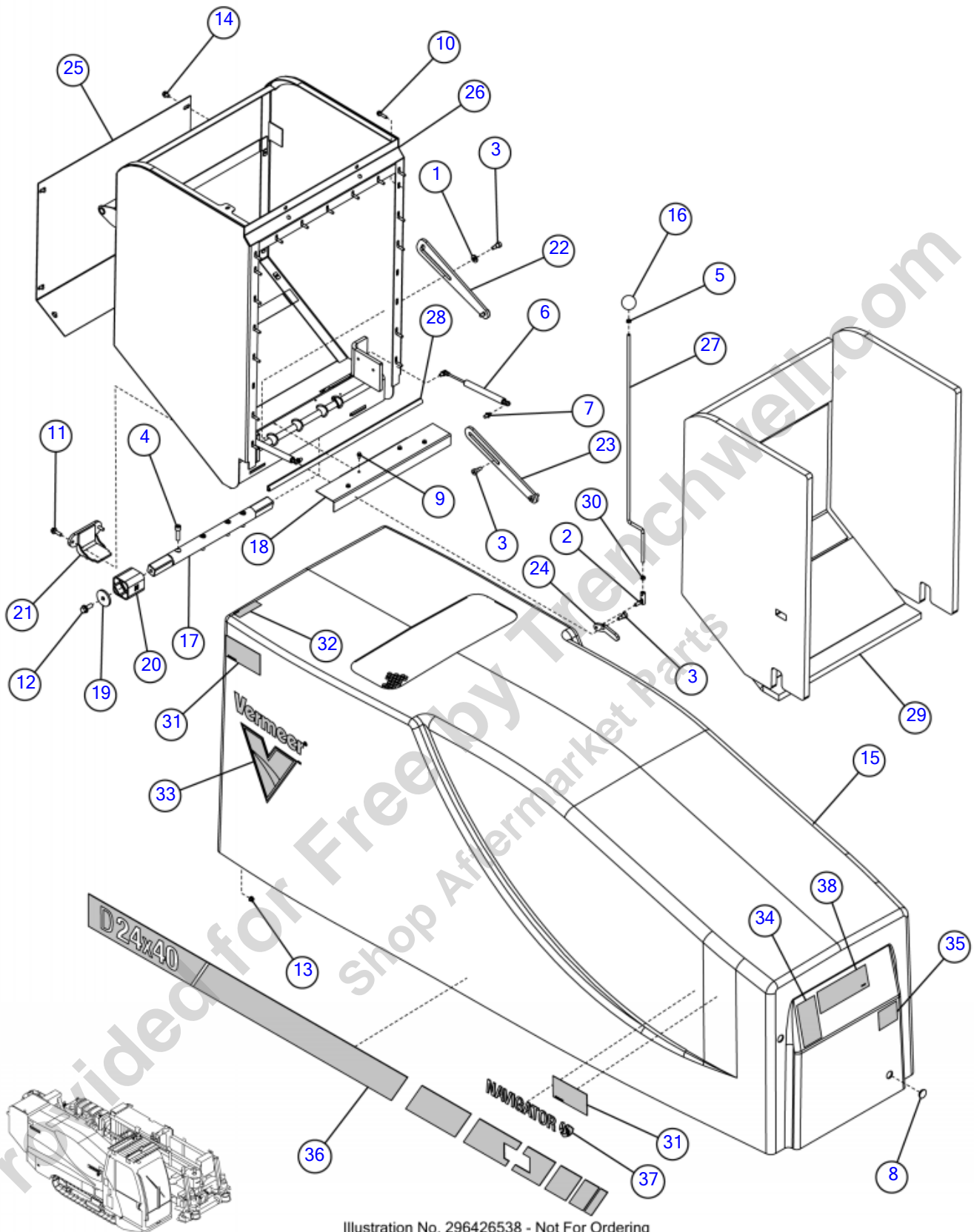


Illustration No. 296426538 - Not For Ordering

Hood-Non-Cab (SN 1107-)

Fig 05-08R02

REF NO.	PART NO.	DESCRIPTION	QTY.	REMARKS
1	127362001	WASHER-1/2 HARD.FLAT	1	
2	1490001	BALL JOINT - 3/8" SPG 1004	1	
3	240056001	SCREW-SHSS-.50X.50-.38-16THD-CZ	5	
4	243907001	SCREW-1/2 - 13X1 3/4 SHC ZP	4	
5	250576001	NUT-3/8 NC HEX JAM	1	
6	251144001	SPRING - GAS ASSIST W/O STUDS (HAZMAT LTL ONLY)	2	
7	285784001	BALL - STUD	4	
8	296280859	PLUG - HOLE -STEEL DOME - 1.125"	1	
9	296300751	SCREW HFS .25-20X.50 GR8	4	
10	296300764	SCREW-HFS-.31-18X1.25-GR8	19	
11	296300773	SCREW-HFS-.38-16X1.25-GR8	4	
12	296300789	SCREW-HFS-.50-13X1.25-GR8	2	
13	296300849	NUT-HEXFLGTL-.31-18-G	19	
14	296300922	SCREW-HFS-.38-16X.50-GR8	6	
15	296370263	HOOD ASSEMBLY ENGINE COVER	1	Includes Handle (Pocket Pull)
15	254875003	POCKET PULL	1	Replacement Handle
16	296424616	KNOB-2" DIAMETER 3/8"-16 THREAD	1	
17	296426625	SHAFT-HOOD MOUNT	1	
18	296426632	PLATE - HOOD HINGE SEAL	1	
19	296426635	PLATE - HOOD HINGE LOCATING	2	
20	296426641	MOUNT-RUBBER SUSPENSION UNIT DR-S 45X80	2	
21	296426663	WELDMENT - HOOD SPRING RETAINING	2	
22	296432083	PLATE - HOOD LOCK	1	
23	296432084	PLATE - HOOD CATCH	1	
24	296432087	PLATE - LINK UNLOCK	1	
25	296432101	PLATE - FRONT ACCESS	1	
26	296432112	WELDMENT - HOOD SCOOP	1	
27	296432123	ROD - LATCH RELEASE LINKAGE	1	
28	296432135	SEAL - 3/4 X 9/16 ADH BACKED RUBBER	1	
29	296432149	FOAM KIT-HOOD SCOOP SERIES III D24/36	1	
30	510029301	NUT - HEX JAM - .38-24-GR5-YZ	1	
31	7000A576	DECAL-DANGER	2	Domestic
31	700IA576	DECAL-DANGER	2	International
32	7000B388	DECAL - HOOD LATCH	1	
33	7000D011	DECAL-"V" (15 X 15)	1	
34	7000F691	DECAL-WARNING, ROLLOVER CAN CRUSH	1	Domestic
34	700IF691	DECAL-WARNING, ROLLOVER CAN CRUSH	1	International
35	7000F825	DECAL-SMALL MACHINE ID, BAR CODE	1	
36	7000H541	DECAL- D24X40 COSMETIC STRIPE	1	
37	7000H637	DECAL- COSMETIC NAVIGATOR+S3 17INCH	1	
38	7000B812	DECAL - WARNING	1	Domestic
38	700IB812	DECAL - WARNING	1	International

Hood-Cab
Fig 05-09

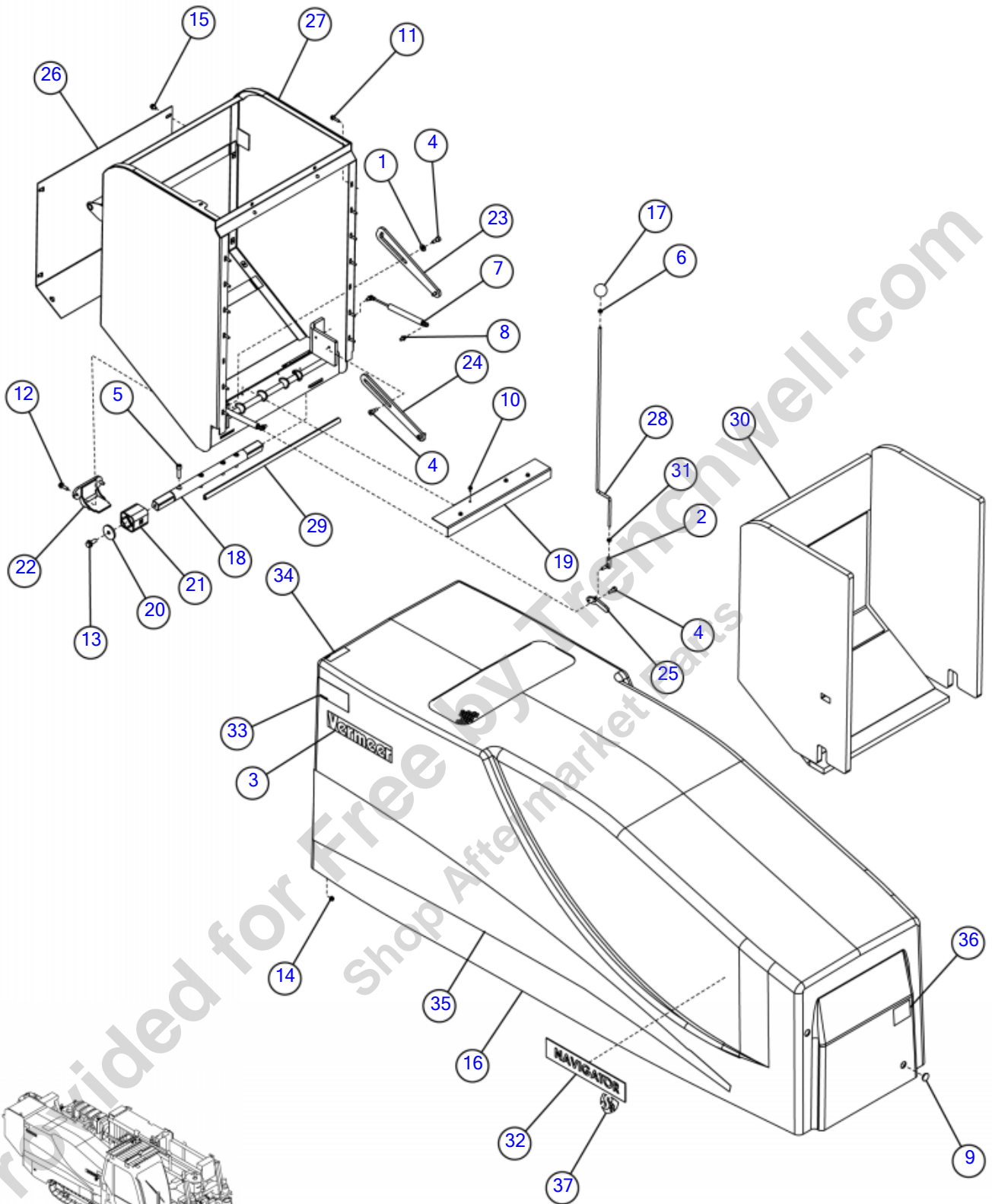


Illustration No. 296443876 - Not For Ordering

Hood-Cab
Fig 05-09

REF NO.	PART NO.	DESCRIPTION	QTY.	REMARKS
1	127362001	WASHER-1/2 HARD.FLAT/PLATED	1	
2	1490001	BALL JOINT - 3/8" SPG 1004	1	
3	2326619	DECAL- VERMEER 3 X 15	1	
4	240056001	SCREW-SHSS-.50X.50-.38-16THD-CZ	5	
5	243907001	SCREW-1/2 - 13X1 3/4 SHC ZP	4	
6	250576001	NUT-3/8 NC HEX JAM W/Y-ZINC	1	
7	251144001	SPRING - GAS ASSIST W/O STUDS (CANNOT AIR FREIGHT)	2	
8	285784001	BALL - STUD	4	
9	296280859	PLUG - HOLE -STEEL DOME - 1.125"	1	
10	296300751	SCREW HFS .25-20X.50 GR8-YZ	4	
11	296300764	SCREW-HFS-.31-18X1.25-GR8-YZ	12	
12	296300773	SCREW-HFS-.38-16X1.25-GR8-YZ	4	
13	296300789	SCREW-HFS-.50-13X1.25-GR8-YZ	2	
14	296300849	NUT-HEXFLGTL-.31-18-G-YZ	12	
15	296300922	SCREW-HFS-.38-16X.50-GR8-YZ	6	
16	296370263	HOOD ASSEMBLY ENGINE COVER	1	Includes Handle (Pocket Pull)
16	254875003	POCKET PULL	1	Replacement Handle
17	296424616	KNOB-2" DIAMETER 3/8"-16 THREAD	1	
18	296426625	SHAFT-HOOD MOUNT	1	
19	296426632	PLATE - HOOD HINGE SEAL	1	
20	296426635	PLATE - HOOD HINGE LOCATING	2	
21	296426641	MOUNT-RUBBER SUSPENSION UNIT DR-S 45X80	2	
22	296426663	WELDMENT - HOOD SPRING RETAINING	2	
23	296432083	PLATE - HOOD LOCK	1	
24	296432084	PLATE - HOOD CATCH	1	
25	296432087	PLATE - LINK UNLOCK	1	
26	296432101	PLATE - FRONT ACCESS	1	
27	296432112	WELDMENT - HOOD SCOOP	1	
28	296432123	ROD - LATCH RELEASE LINKAGE	1	
29	296432135	SEAL - 3/4 X 9/16 ADH BACKED RUBBER	1	
30	296432149	FOAM KIT-HOOD SCOOP SERIES III D24/36	1	
31	510029301	NUT - HEX JAM - .38-24-GR5-YZ	1	
32	7000A010	DECAL-MODEL NAVIGATOR(MEDIUM)	1	
33	7000A576	DECAL-DANGER	1	Domestic
33	700IA576	DECAL-DANGER	1	International
34	7000B388	DECAL - HOOD LATCH	1	
35	7000D175	DECAL D24X40II STRIPE	1	
36	7000F825	DECAL-SMALL MACHINE ID, BAR CODE	1	
37	7000G232	DECAL-S3 BADGE	1	

Hood-Cab (SN 730-1106)

Fig 05-09R01

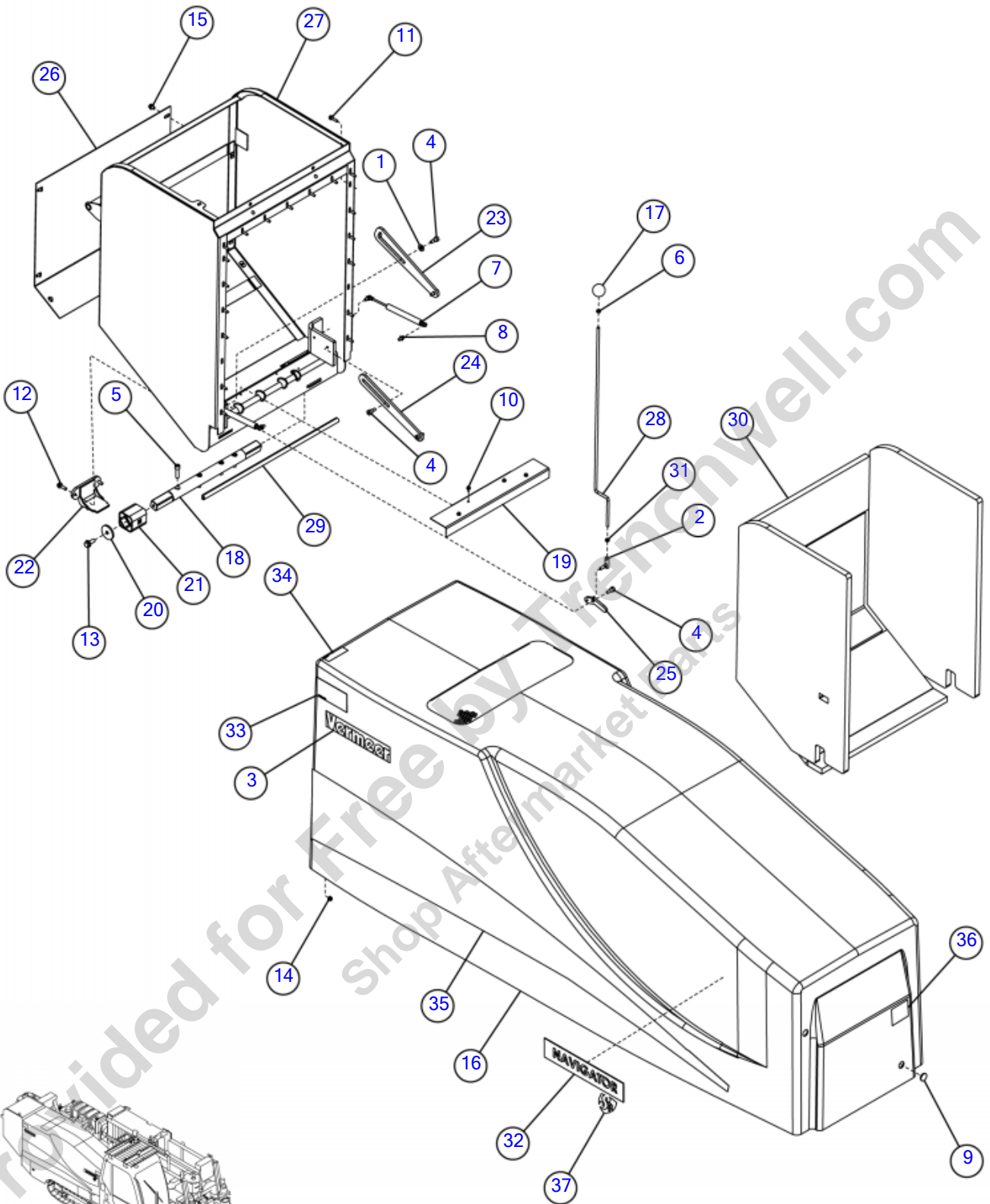


Illustration No. 296443876 - Not For Ordering

Hood-Cab (SN 730-1106)

Fig 05-09R01

REF NO.	PART NO.	DESCRIPTION	QTY.	REMARKS
1	127362001	WASHER-1/2 HARD.FLAT	1	
2	1490001	BALL JOINT - 3/8" SPG 1004	1	
3	2326619	DECAL- VERMEER 3 X 15	1	
4	240056001	SCREW-SHSS-.50X.50-.38-16THD-CZ	5	
5	243907001	SCREW-1/2 - 13X1 3/4 SHC ZP	4	
6	250576001	NUT-3/8 NC HEX JAM	1	
7	251144001	SPRING - GAS ASSIST W/O STUDS (HAZMAT LTL ONLY)	2	
8	285784001	BALL - STUD	4	
9	296280859	PLUG - HOLE -STEEL DOME - 1.125"	1	
10	296300751	SCREW HFS .25-20X.50 GR8	4	
11	296300764	SCREW-HFS-.31-18X1.25-GR8	19	
12	296300773	SCREW-HFS-.38-16X1.25-GR8	4	
13	296300789	SCREW-HFS-.50-13X1.25-GR8	2	
14	296300849	NUT-HEXFLGTL-.31-18-G	19	
15	296300922	SCREW-HFS-.38-16X.50-GR8	6	
16	296370263	HOOD ASSEMBLY ENGINE COVER	1	Includes Handle (Pocket Pull)
16	254875003	POCKET PULL	1	Replacement Handle
17	296424616	KNOB-2" DIAMETER 3/8"-16 THREAD	1	
18	296426625	SHAFT-HOOD MOUNT	1	
19	296426632	PLATE - HOOD HINGE SEAL	1	
20	296426635	PLATE - HOOD HINGE LOCATING	2	
21	296426641	MOUNT-RUBBER SUSPENSION UNIT DR-S 45X80	2	
22	296426663	WELDMENT - HOOD SPRING RETAINING	2	
23	296432083	PLATE - HOOD LOCK	1	
24	296432084	PLATE - HOOD CATCH	1	
25	296432087	PLATE - LINK UNLOCK	1	
26	296432101	PLATE - FRONT ACCESS	1	
27	296432112	WELDMENT - HOOD SCOOP	1	
28	296432123	ROD - LATCH RELEASE LINKAGE	1	
29	296432135	SEAL - 3/4 X 9/16 ADH BACKED RUBBER	1	
30	296432149	FOAM KIT-HOOD SCOOP SERIES III D24/36	1	
31	510029301	NUT - HEX JAM - .38-24-GR5-YZ	1	
32	7000A010	DECAL-MODEL NAVIGATOR(MEDIUM)	1	
33	7000A576	DECAL-DANGER	1	Domestic
33	7000A576	DECAL-DANGER	1	International
34	7000B388	DECAL - HOOD LATCH	1	
35	7000D175	DECAL D24X40II STRIPE	1	
36	7000F825	DECAL-SMALL MACHINE ID, BAR CODE	1	
37	7000G232	DECAL-S3 BADGE	1	

Hood-Cab (SN 1107-)

Fig 05-09R02

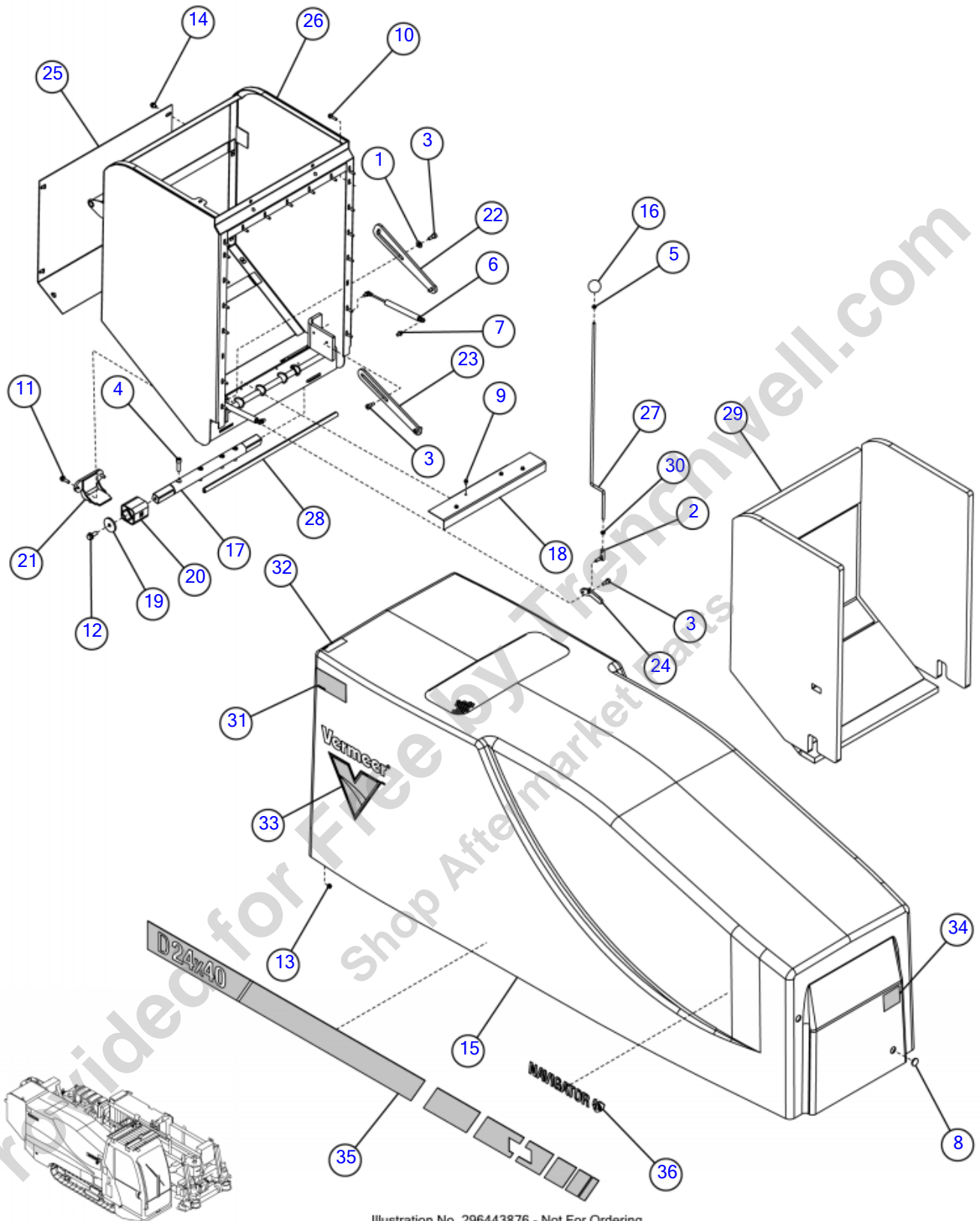


Illustration No. 296443876 - Not For Ordering

Hood-Cab (SN 1107-)

Fig 05-09R02

REF NO.	PART NO.	DESCRIPTION	QTY.	REMARKS
1	127362001	WASHER-1/2 HARD.FLAT	1	
2	1490001	BALL JOINT - 3/8" SPG 1004	1	
3	240056001	SCREW-SHSS-.50X.50-.38-16THD-CZ	5	
4	243907001	SCREW-1/2 - 13X1 3/4 SHC ZP	4	
5	250576001	NUT-3/8 NC HEX JAM	1	
6	251144001	SPRING - GAS ASSIST W/O STUDS (HAZMAT LTL ONLY)	2	
7	285784001	BALL - STUD	4	
8	296280859	PLUG - HOLE -STEEL DOME - 1.125"	1	
9	296300751	SCREW HFS .25-20X.50 GR8	4	
10	296300764	SCREW-HFS-.31-18X1.25-GR8	19	
11	296300773	SCREW-HFS-.38-16X1.25-GR8	4	
12	296300789	SCREW-HFS-.50-13X1.25-GR8	2	
13	296300849	NUT-HEXFLGTL-.31-18-G	19	
14	296300922	SCREW-HFS-.38-16X.50-GR8	6	
15	296370263	HOOD ASSEMBLY ENGINE COVER	1	Includes Handle (Pocket Pull)
15	254875003	POCKET PULL	1	Replacement Handle
16	296424616	KNOB-2" DIAMETER 3/8"-16 THREAD	1	
17	296426625	SHAFT-HOOD MOUNT	1	
18	296426632	PLATE - HOOD HINGE SEAL	1	
19	296426635	PLATE - HOOD HINGE LOCATING	2	
20	296426641	MOUNT-RUBBER SUSPENSION UNIT DR-S 45X80	2	
21	296426663	WELDMENT - HOOD SPRING RETAINING	2	
22	296432083	PLATE - HOOD LOCK	1	
23	296432084	PLATE - HOOD CATCH	1	
24	296432087	PLATE - LINK UNLOCK	1	
25	296432101	PLATE - FRONT ACCESS	1	
26	296432112	WELDMENT - HOOD SCOOP	1	
27	296432123	ROD - LATCH RELEASE LINKAGE	1	
28	296432135	SEAL - 3/4 X 9/16 ADH BACKED RUBBER	1	
29	296432149	FOAM KIT-HOOD SCOOP SERIES III D24/36	1	
30	510029301	NUT - HEX JAM - .38-24-GR5-YZ	1	
31	7000A576	DECAL-DANGER	1	Domestic
31	700IA576	DECAL-DANGER	1	International
32	7000B388	DECAL - HOOD LATCH	1	
33	7000D011	DECAL-"V" (15 X 15)	1	
34	7000F825	DECAL-SMALL MACHINE ID, BAR CODE	1	
35	7000H541	DECAL- D24X40 COSMETIC STRIPE	1	
36	7000H637	DECAL- COSMETIC NAVIGATOR+S3 17INCH	1	

Hood Latch
Fig 05-10

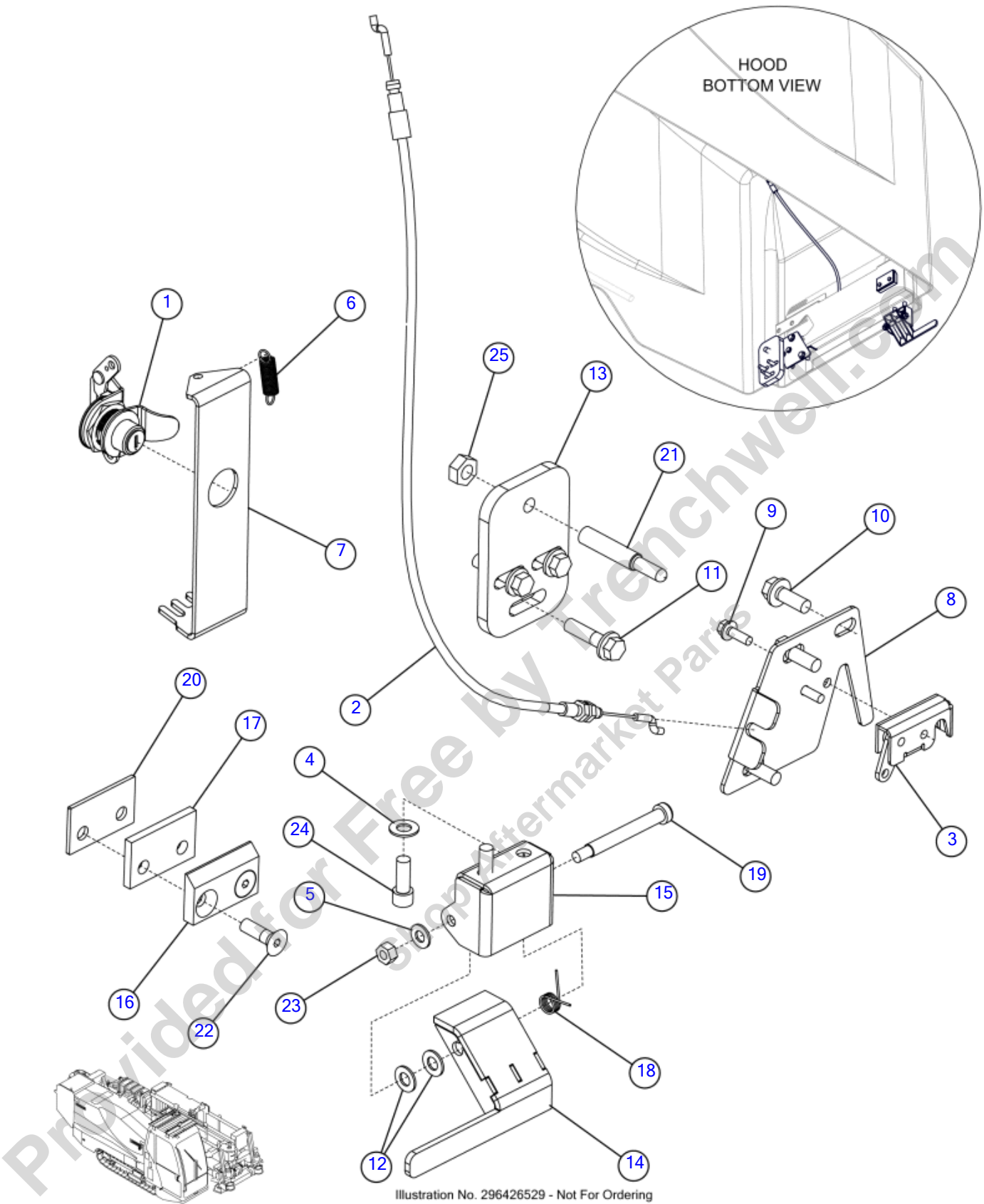


Illustration No. 296426529 - Not For Ordering

Hood Latch
Fig 05-10

REF NO.	PART NO.	DESCRIPTION	QTY.	REMARKS
1	155985001	LATCH - PUSHBUTTON	1	
2	159972001	CABLE - HOOD RELEASE	1	
3	159973001	LATCH - MINI ROTARY, RIGHT	1	
4	235713001	WASHER - FLATSTRL - .38 - .41 X .81 - .06-YA-A325	2	
5	235714001	WASHER - 5/16 FLAT, ZN	1	
6	282052001	SPRING -2084 EXTENSION 1.50"	1	
7	296279848	BRACKET - HOOD CABLE	1	
8	296280434	BRACKET - CABLE END	1	
9	296300753	SCREW-HFS-.25-20X.75-GR8-YZ	2	
10	296300772	SCREW HFS .38-16X1.00 GR8 YZ	3	
11	296300774	SCREW HFS .38 - 16 X 1.50 GR8 YZ	3	
12	296412049	WASHER-3/8 NYLON BLACK	2	
13	296424722	PLATE STRIKE ALERT SUPPORT	1	
14	296443940	WELDMENT-HOOD LATCH	1	
15	296443956	WELDMENT-SECONDARY HOOD LATCH BRACKET	1	
16	296443958	BAR-SECONDARY HOOD LATCH CATCH	1	
17	296443959	PLATE-LATCH CATCH SPACER	1	
18	296443962	SPRING-TORSION .051 DIA	1	
19	296443964	SCREW-SHSS-.31-18 X 3.25-CZ-.38X2.75-SHLDR	1	
20	296477557	PLATE - LATCH CATCH SPACER THIN	1	
21	296497772	LATCH STRIKER - HOOD	1	
22	506573001	CS - 3/8 - 16 X 1 1/4 FLTHD SKT PLTD	2	
23	510314501	HEX NUT, 5/16-18, ZN	1	
24	601696010	SOCKET HD CAP SCREW 3/8-16X1 Z	2	
25	75383001	NUT-1/2-UNC GR.8 JAM HEX	1	

Engine Cooling Package

Fig 05-11

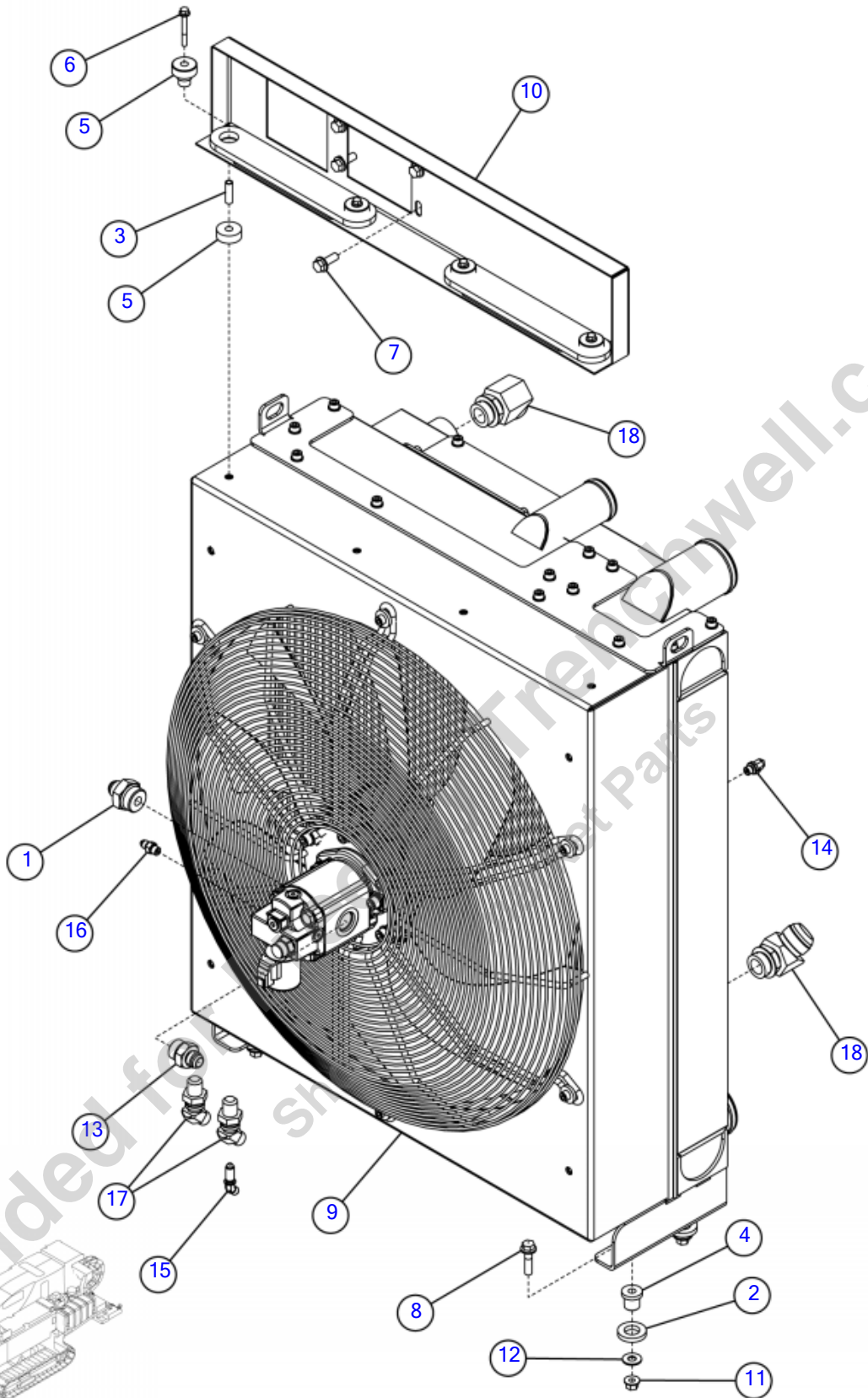


Illustration No. 296426533 - Not For Ordering

Engine Cooling Package

Fig 05-11

REF NO.	PART NO.	DESCRIPTION	QTY.	REMARKS
1	101508001	FITTING-16MOR X 10MJIC STR.	1	
2	291549001	SPACER-LOWER ISOLATOR	4	
3	291550001	SPACER-RADIATOR ISOLATOR	4	
4	294552001	MOUNT-LOWER RADIATOR ISOLATOR	4	
5	294553001	MOUNT-UPPER RADIATOR ISOLATOR	4	
6	296300758	SCREW-HFS-.25-20X2.00-GRI-YZ	4	
7	296300772	SCREW HFS .38-16X1.00 GR8 YZ	4	
8	296300774	SCREW HFS .38 - 16 X 1.50 GR8 YZ	4	
9	296426545	COOLING PACKAGE-D36X50	1	Breakdown Fig. 5-11T01
10	296426565	WELDMENT - AIR DAM	1	
11	4536001	NUT - 3/8-16 FLG. WHIZ LOCK	4	
12	485007	WASHER-FLATSTD-.38-.44X1.00-.08-CZ	4	
13	53854001	FITTING-12M O-RING-10M JIC ST.	1	
14	59423001	FITTING-90-4MORBA-4MJ	1	
15	60725001	ELBOW-4M JIC 45 DEG.BULKHEAD	1	
16	60908001	FITTING-4MX4M JIC STR ADAPTER	1	
17	81937001	FITTING-10M JIC(BULK)45 DEG EL	2	
18	86234001	FITTING-16M ORING X 20M JIC 45DEG.	2	

Breakdown-Radiator

Fig 05-11T01

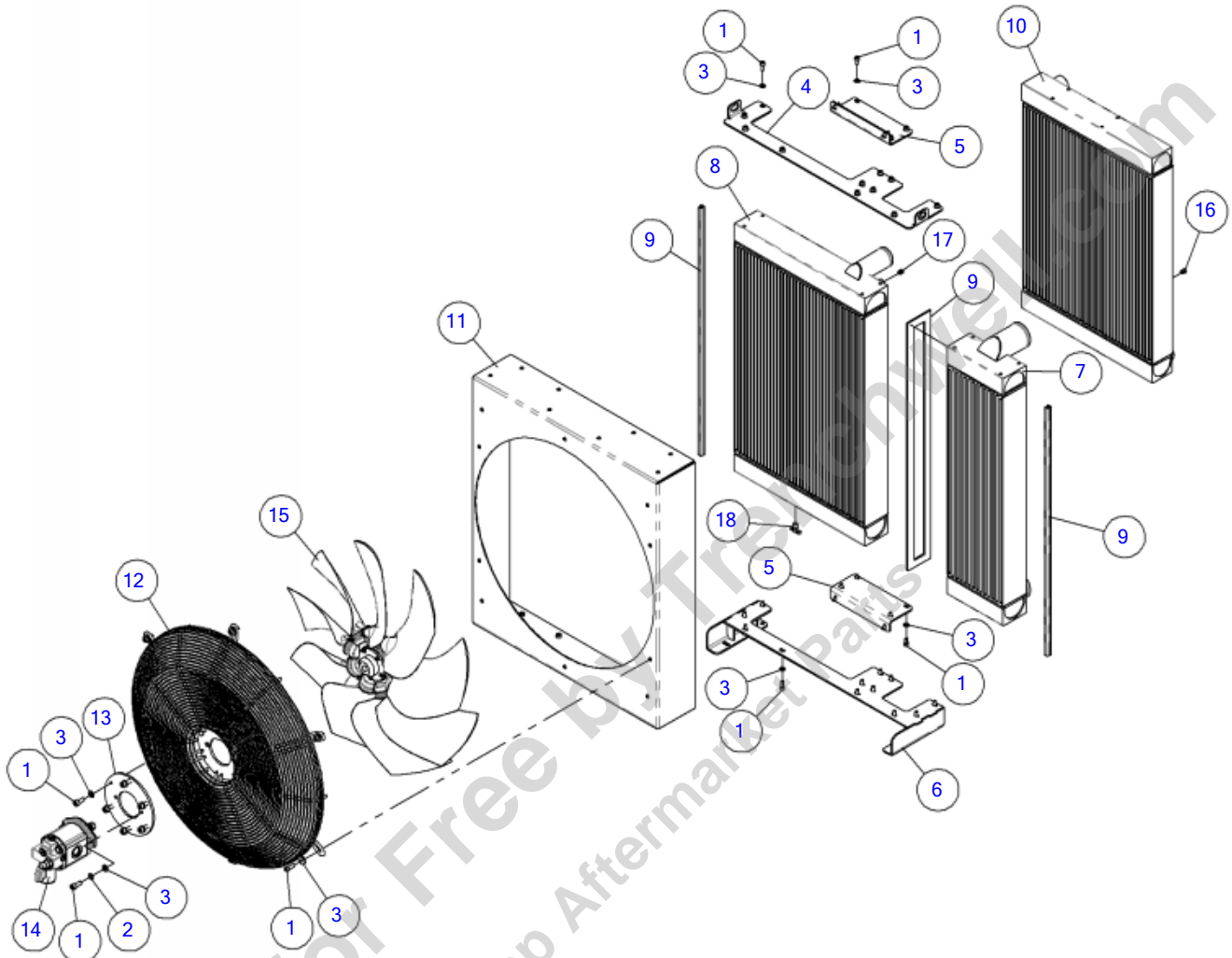


Illustration No: 296426545

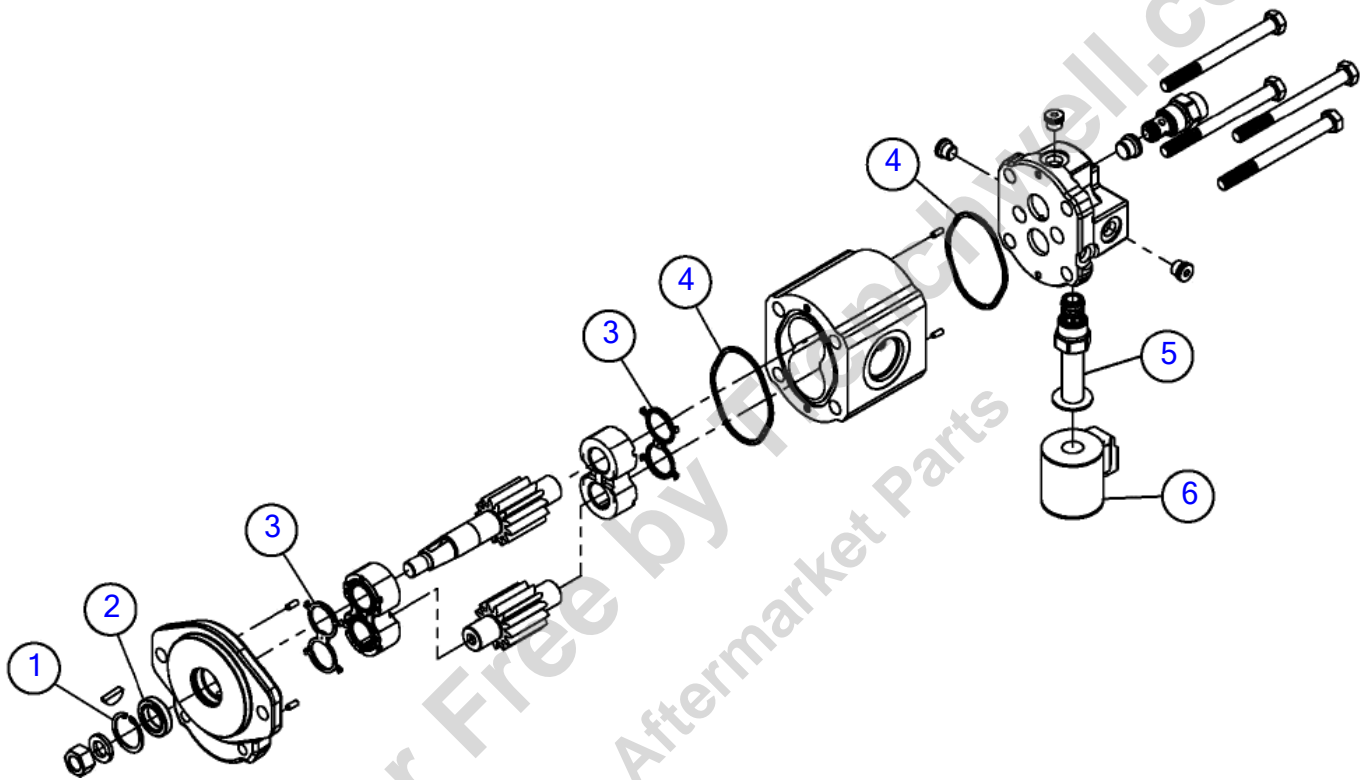
Breakdown-Radiator

Fig 05-11T01

REF NO.	PART NO.	DESCRIPTION	QTY.	REMARKS
1		SCREW	A/R	Not Sold Separately
2		LOCK WASHER	A/R	Not Sold Separately
3		WASHER	A/R	Not Sold Separately
4		TOP CONNECTING PLATE	A/R	Not Sold Separately
5		HOC MOUNTING BRACKET	A/R	Not Sold Separately
6		LOWER CONNECTING BRACKET	A/R	Not Sold Separately
7	296426606	CHARGE AIR COOLER	1	
8	296426607	RADIATOR	1	
9	296426545	COOLING PACKAGE-D36X50	1	
10	296426608	HYDRAULIC OIL COOLER	1	
11	296426609	FAN SHROUD	1	
12	296426610	FINGER GUARD	1	
13		PLATE-FAN MOTOR SUPPORT	1	Not Sold Separately
14	296432766	MOTOR-HYD-GEAR 27CC FAN SAE A	1	Breakdown Fig 5-11T02
15	296426613	FAN	1	
16	120878001	FITTING-#4M HOLLOW HEX PLUG	1	
17	78202001	PLUG-1/4NPT SOCKET HEAD PIPE	1	
18		PETCOCK	1	Not Sold Separately
	296426545	COOLING PACKAGE-D36X50	1	Includes All Items Listed Above

Breakdown-Fan Drive Motor

Fig 05-11T02



Breakdown-Fan Drive Motor

Fig 05-11T02

REF NO.	PART NO.	DESCRIPTION	QTY.	REMARKS
1	113879003	RING-RETAINING	1	
2	296454251	SHAFT SEAL	1	
3	296454252	BEARING BLOCK SEAL	2	
4	296454253	O-RING	2	
5	296454254	PROPORTIONAL RELIEF CARTRIDGE	1	
6	163177001	COIL	2	
	296454255	SEAL KIT	1	Includes Items 2, 3 & 4
	296432766	MOTOR-HYD-GEAR 27CC FAN SAE A	1	Includes All Items Listed Above

Provided for Free by Trenchwell.com
Shop Aftermarket Parts

Cooler Seals

Fig 05-12

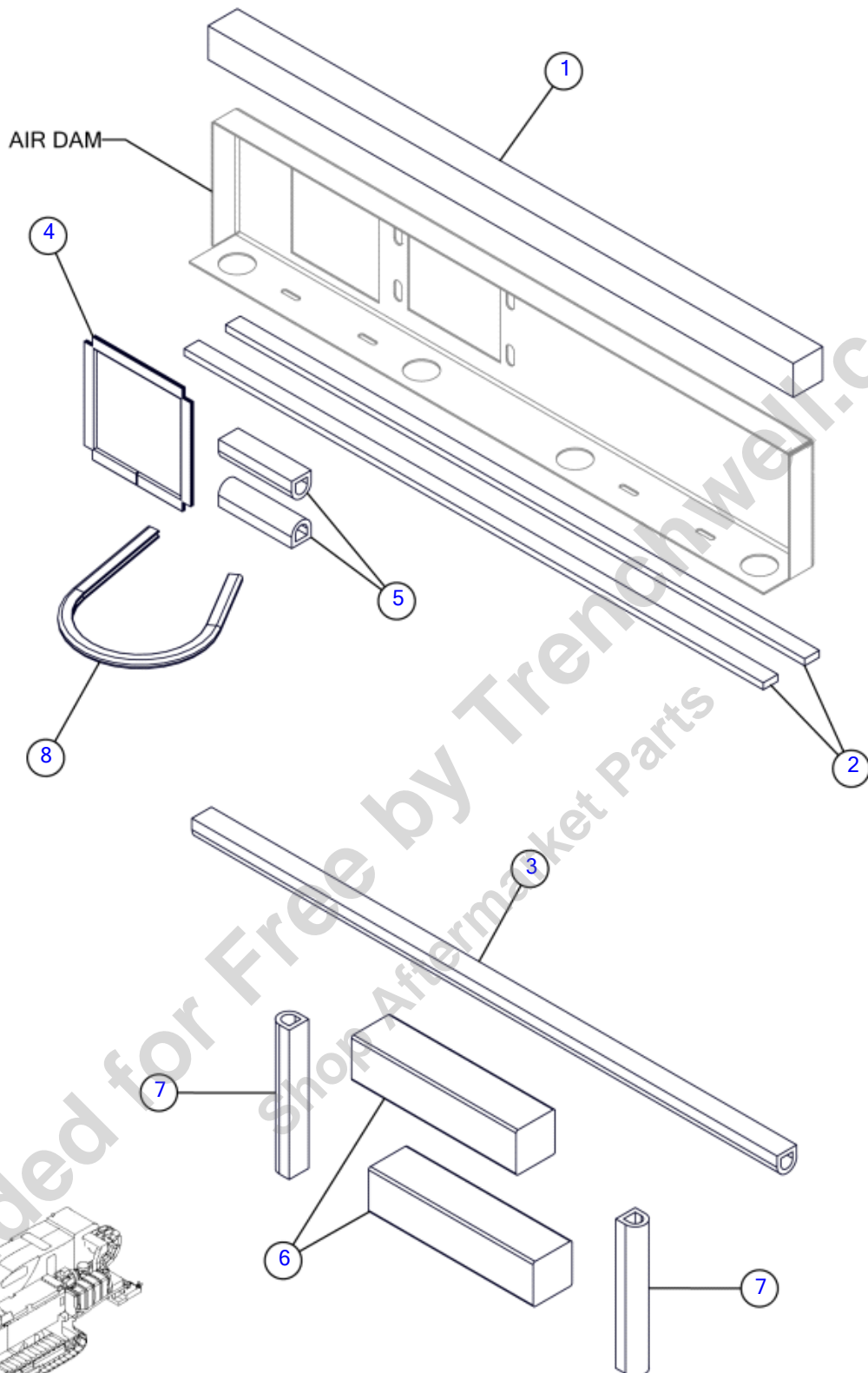


Illustration No. 296426616 - Not For Ordering

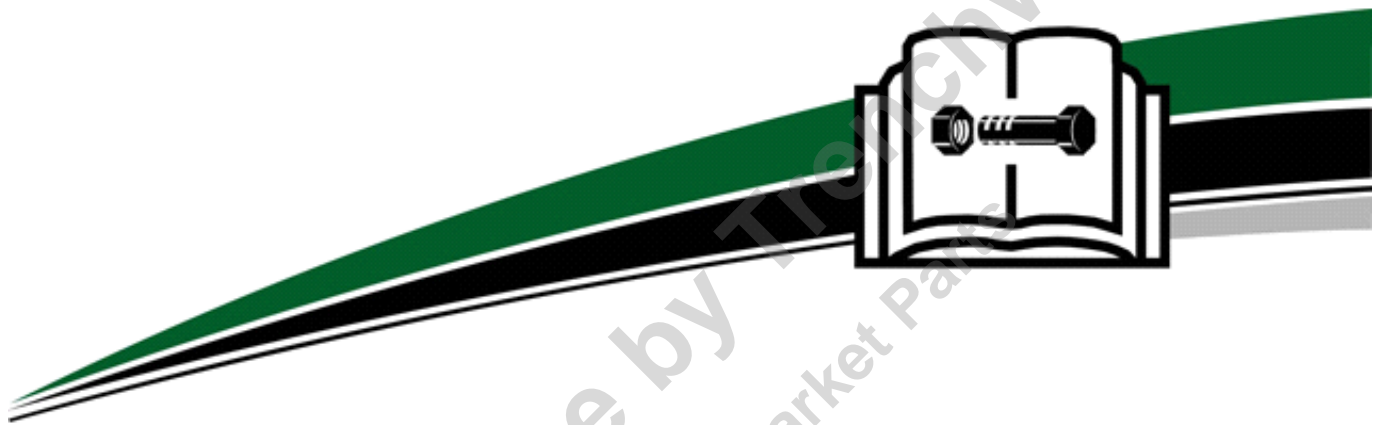
Cooler Seals

Fig 05-12

REF NO.	PART NO.	DESCRIPTION	QTY.	REMARKS
1	163656496	FOAM SEAL - 1 1/2 X 1 1/2 X 30	1	
2	296426582	WEATHERSTRIP-29.69 IN	2	
3	296426584	SEAL-RUBBER-1"X1" HALF ROUND	1	
4	296426586	TRIM-EDGE 1/16", COOLER AIR DAM	1	
5	296426587	SEAL-RUBBER-1"X1" HALF ROUND	2	
6	296426617	SEAL-2 IN. SQ FOAM X 8.44 IN. LG.	2	
7	296426618	SEAL-RUBBER-1"X1" HALF ROUND	2	
8	296432150	TRIM EDGE GUAARD TRIM-1/4 EDGE	1	

Provided for Free by Trenchwell.com
Shop Aftermarket Parts

Non-Cab Operator Station



Non-Cab Operator Station

Operator Platform	Fig	06-01
Seat	Fig	06-02
Right Console w/ Joystick (SN 101-1091)	Fig	06-03
Breakdown-Right Hand Joystick Non-Cab (SN 101-1091)	Fig	06-03T01
Right Console W/ Joystick (SN 1092-)	Fig	06-03R01
Breakdown-Joystick RH (SN 1092-)	Fig	06-03T01R01
Left Console w/ Joystick (SN 101-1091)	Fig	06-04
Breakdown-Left Hand Joystick Non-Cab (SN 101-1091)	Fig	06-04T01
Left Console W/ Joystick (SN 1092-)	Fig	06-04R01
Breakdown-Joystick LH (SN 1092-)	Fig	06-04T01R01
Front Display	Fig	06-05
Front Display (SN 705-2203)	Fig	06-05R01
Front Display (SN 2204-)	Fig	06-05R02
Remote Lockout (SN 101-839)	Fig	06-06
Remote Lockout (SN 840-2203)	Fig	06-06R01
Remote Lockout (SN 2204-)	Fig	06-06R02
Rear Transport Station	Fig	06-07
Rear Transport Station (SN 278-)	Fig	06-07R01
Rear Transport Station (SN 320-376)	Fig	06-07R02
Breakdown-Joystick (SN 320-376)	Fig	06-07T01
Rear Transport Station (SN 377-2018)	Fig	06-07R03
Rear Transport Station (SN 2019-)	Fig	06-07R04
Breakdown-Joystick (SN 377-)	Fig	06-07T01R01
Remote Tracking (SN 101-2203)	Fig	06-08
Remote Tracking (SN 2204-)	Fig	06-08R01
Soft Cab Cover	Fig	06-09
Umbrella	Fig	06-10
Breakdown-Umbrella Mast	Fig	06-10T01

Operator Platform

Fig 06-01

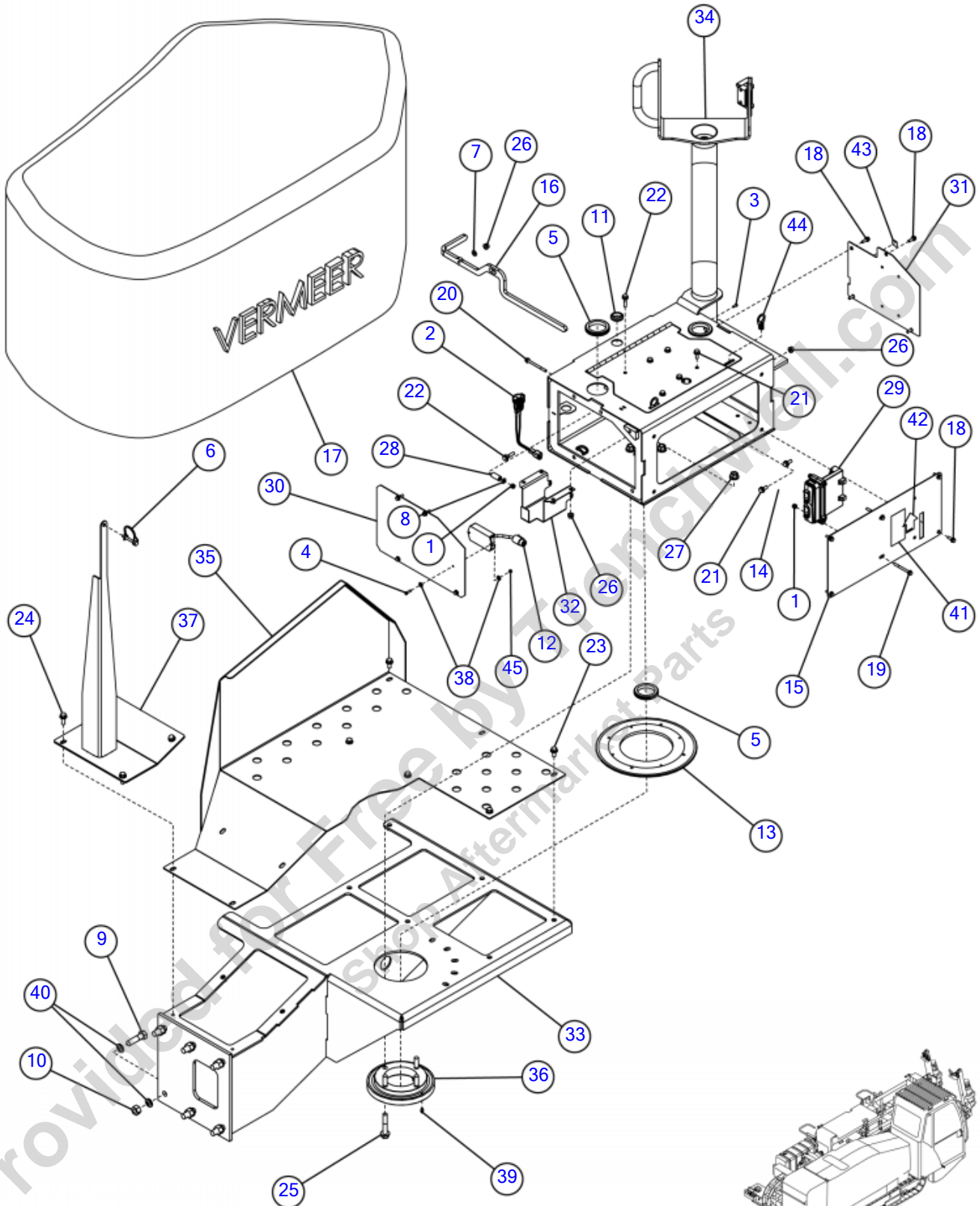


Illustration No. 296412166 - Not For Ordering

Operator Platform

Fig 06-01

REF NO.	PART NO.	DESCRIPTION	QTY.	REMARKS
1	103201001	NUT-1/4-20 NYLON INSERT LOCK	5	
2	154677001	OUTLET - 12 VOLT	1	
3	1802004	SCREW-MCH-10-32X.50-GR2-CZ-ROUND-SLTD	4	
4	1802006	BOLT-10-24 X 3/4 RND HD STOVE	2	
5	1865047	GROMMET-2.13IDX2.88OD-1/8GRV.	3	
6	2108001	LYNCH PIN - 1/4 X 2	1	
7	235714001	WASHER - 5/16 FLAT, ZN	1	
8	235716001	WASHER - FLATSTRL - .25 - .28 X .63 - .06 - CZ	5	
9	238245001	BOLT 5/8" - 11 X 2 1/4 Gr 8 HEX-YZ	6	
10	250513001	NUT - 5/8NC Gr8 TOP LOCK Y/ZINC	6	
11	277362001	GROMMET 1.5"OD X 1" ID	1	
12	281526001	BUSS BAR MODULE	1	
13	296256466	BEARING-LAZY SUSAN #12C	1	
14	296274337	SPRING LATCH 720-S-L-ZINC	1	
15	296282509	PLATE - COVER SEAT BASE	1	
16	296287824	LEVER - SEAT LOCK RELEASE	1	
17	296297269	COVER - CONSOLE	1	
18	296300753	SCREW-HFS-.25-20X.75-GR8-YZ	12	
19	296300760	SCREW HFS .25 20X2.50 GRI YZ	2	
20	296300761	SCREW-HFS-.25-20X3.00-GR8-YZ	3	
21	296300762	SCREW HFS .31 - 18 X .75 GR8 YZ	6	
22	296300764	SCREW-HFS-.31-18X1.25-GR8-YZ	3	
23	296300771	SCREW-HFS-.38-16X.75GR8-YZ	6	
24	296300772	SCREW HFS .38-16X1.00 GR8 YZ	4	
25	296300795	SCREW HFS .50 13X2.75 GR8 YZ	4	
26	296300849	NUT-HEXFLGTL-.31-18-G-YZ	10	
27	296300851	NUT-HEXFLGTL-.50-13-G-YZ	4	
28	296307438	RD/TB - .563 O.D. X .125W X 1.188	3	
29	296376829	CONTROLLER-PLUS +1 MC024-130	1	
30	296412034	PLATE - SIDE CONSOLE FRAME LH	1	
31	296412035	PLATE - SIDE CONSOLE FRAME RH	1	
32	296412041	REMOTE BOX D24X40II D36X50II	1	
33	296412144	WELDMENT - OPERATOR PLATFORM	1	
34	296412167	WELDMENT - CONSOLE LOWER FRAME	1	
35	296412171	WELDMENT - OPERATOR GUARD	1	
36	296414149	RING - SEAT PIVOT RETAINER	1	
37	296463390	WELDMENT - CONE MOUNT	1	
38	485001	WASHER-FLATSTD-.19 -.22 X.56 -.05 - CZ	4	
39	598001	FITTING - 1/4" NF ST GREASE ZERK	1	
40	630194001	WASHER-FLAT HARD-.641X1.062X.105-YZ	12	
41	7000C446	DECAL - NO WELD	1	Domestic
41	700IC446	DECAL - NO WELD	1	International
42	700IB248	DECAL - PUSH	2	
43	700ID806	DECAL - CAN BUS PORT	1	
44	86113001	FASTENER-1/4 TURN	2	
45	99042001	NUT-NYLOCK-#10-24-GR2-CZ	2	

Seat
Fig 06-02

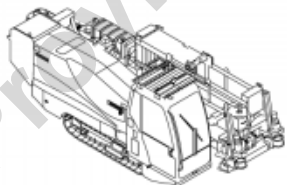
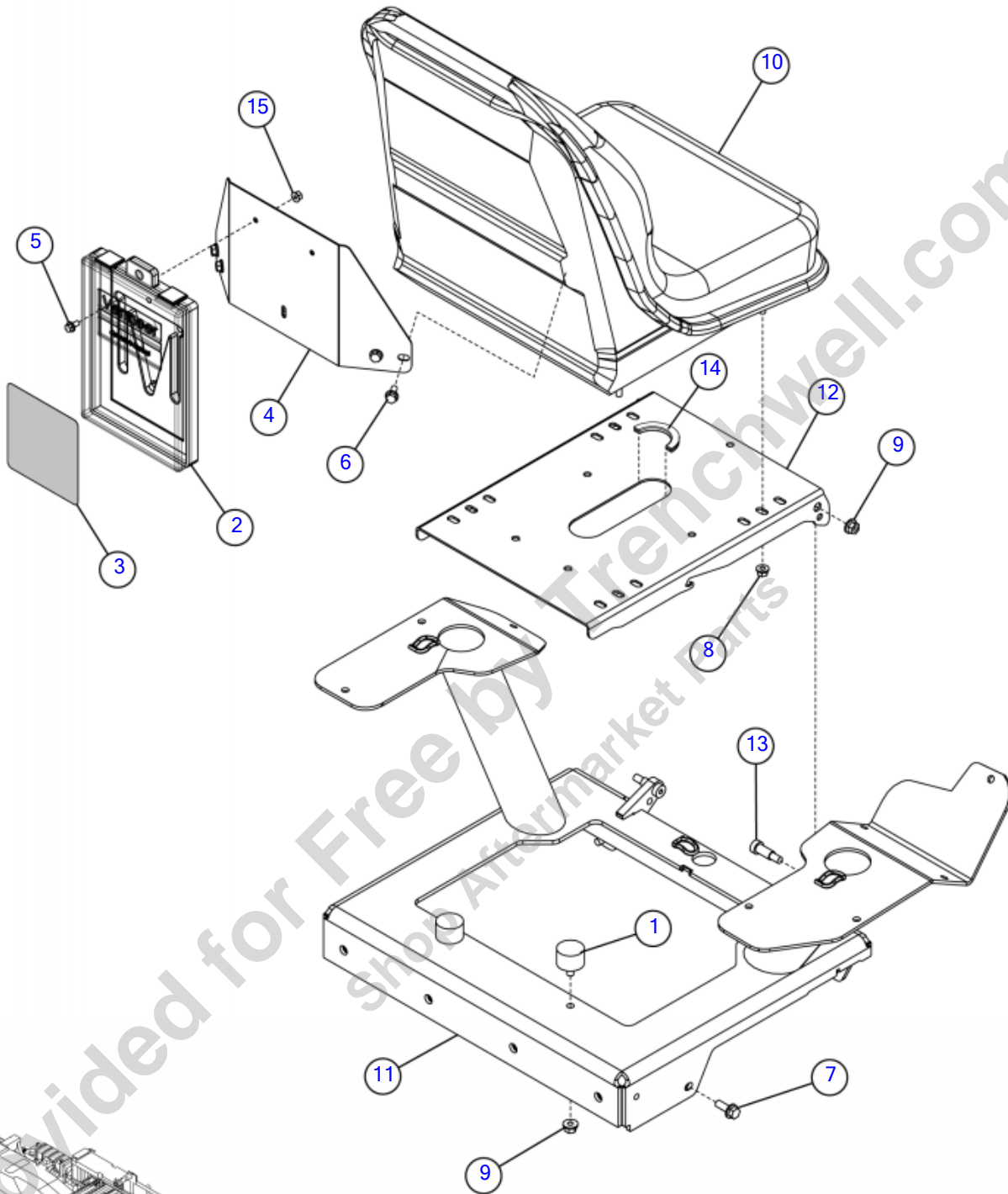


Illustration No. 296414127 - Not For Ordering

Seat
Fig 06-02

REF NO.	PART NO.	DESCRIPTION	QTY.	REMARKS
1	122474001	MOUNT-SANDWICH SINGLE STUD	2	
2	142410001	CASE - 6" X 9" X 1" OPERATOR MANUAL	1	
3	2326940	DECAL-NOTICE TO OWNERS	1	
4	235683001	MOUNT-MANUAL BOX	1	
5	296300751	SCREW HFS .25-20X.50 GR8-YZ	3	
6	296300762	SCREW HFS .31 - 18 X .75 GR8 YZ	4	
7	296300772	SCREW HFS .38-16X1.00 GR8 YZ	4	
8	296300849	NUT-HEXFLGTL-.31-18-G-YZ	4	
9	296300850	NUT-HEXFLGTL-.38-16-G-YZ	4	
10	296360375	SEAT-XR-210 GREY, 6540-006	1	Includes Switch & Hardware
10	296333829	SWITCH - SEAT HALL EFFECT	A/R	
10	240419001	BOLT-1/4-20X3/4 BUTTON HEAD	A/R	
11	296412002	WELDMENT - SEAT TILT	1	
12	296412020	PALTE - SEAT HINGE	1	
13	296463081	SCREW-1/2 X 1.0-.38-16THD-YZ SOCKET HD	2	
14	296525513	EDGE TRIM-3/32" PLASTIC W/METAL CORE 3" LONG	1	
15	510313401	NUT-HEXFLGL-.25-20-GR2-YZ	3	

Provided for Free by Trenchwell.com
 Shop Aftermarket Parts

Right Console w/ Joystick (SN 101-1091)

Fig 06-03

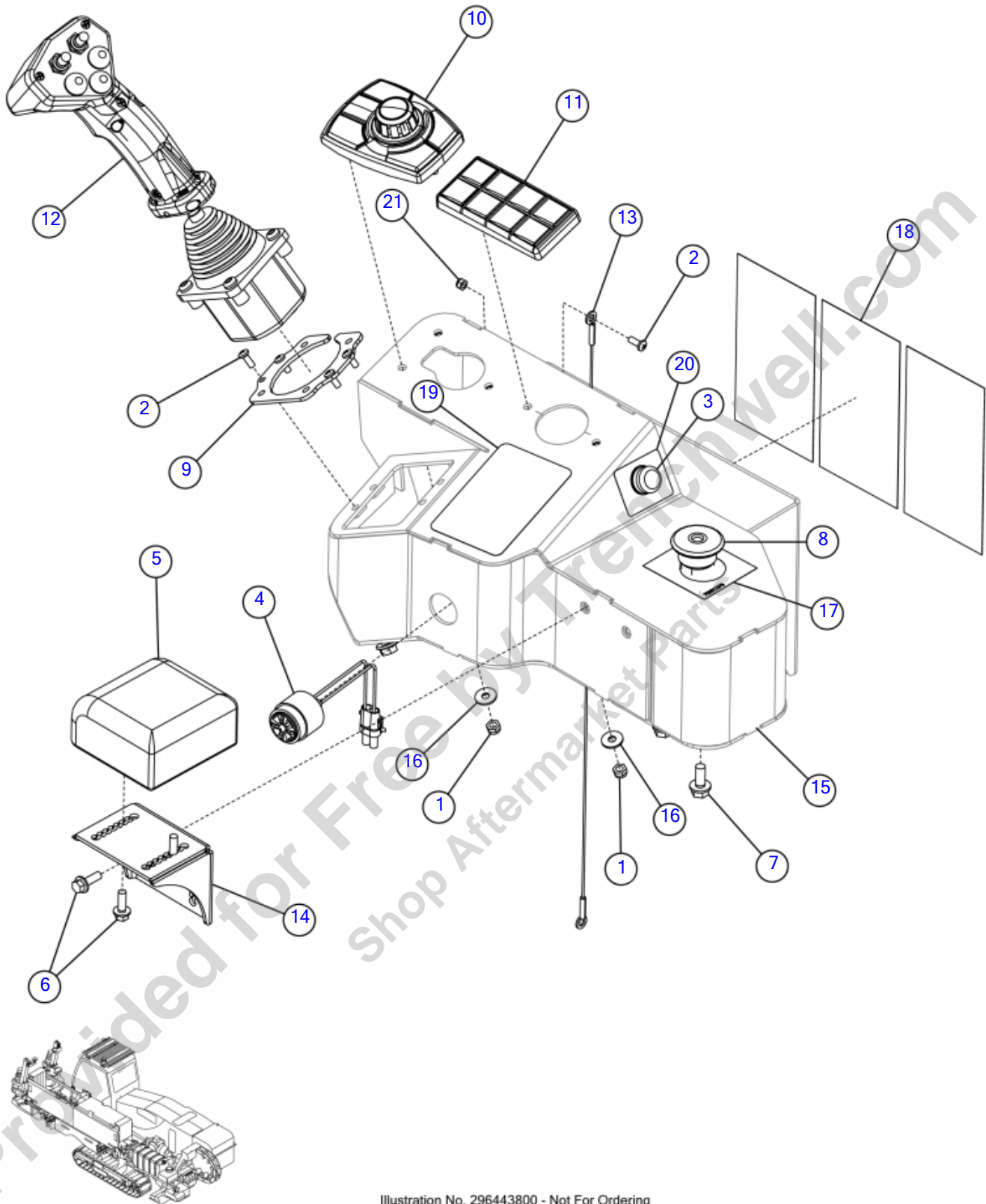


Illustration No. 296443800 - Not For Ordering

Right Console w/ Joystick (SN 101-1091)

Fig 06-03

REF NO.	PART NO.	DESCRIPTION	QTY.	REMARKS
1	128478001	NUT-HEX NYL M6-1.00 YZ D985	5	
2	242655001	SCREW-#10-24X1/2PAN HD PLT PHP	5	
3	260766001	SWITCH - MOM BUTTON NO	1	
4	286920001	REMOTE LOCKOUT BUZZER	1	
5	296276722	PAD - ARM REST	1	
6	296300753	SCREW-HFS-.25-20X.75-GR8-YZ	4	
7	296300762	SCREW HFS .31 - 18 X .75 GR8 YZ	5	
8	296333754	ESTOP - HEAVY DUTY N/C and N/O	1	
9	296351587	PLATE - JOYSTICK MOUNT	1	
10	296372565	ENCODER-VDC COMMON PLATFORM LVL II	1	
11	296372555	KEYPAD-RIGHT COMMON PLATFORM LVL II	1	
12	296533509	JOYSTICK-RH DRILL CAN	1	Breakdown Fig. 6-3T01
12	(296376913)	JOYSTICK-RH DRILL CAN	1	Breakdown Fig. 6-3T01
13	296412098	CABLE LANYARD-VANDAL COVER D24/D36	1	
14	296414133	WELDMENT - CONSOLE ARM REST	1	
15	296443801	WELDMENT - RIGHT CONSOLE	1	
16	507086006	WASHER-FLAT,M6, LARGE RIM, DIN9021	5	
17	7000C073	DECAL - E-STOP	1	
18	7000G340	DECAL-DANGER, 3 PANEL	1	Domestic
18	700IG340	DECAL-DANGER, 3 PANEL	1	International
19	700IG269	DECAL-CONTROL, LOWER RH JOYSTICK	1	
20	700IG434	DECAL-CONTROL, PUSH TO START	1	
21	99042001	NUT-NYLOCK-#10-24-GR2-CZ	1	

Right Console W/ Joystick (SN 1092-)

Fig 06-03R01

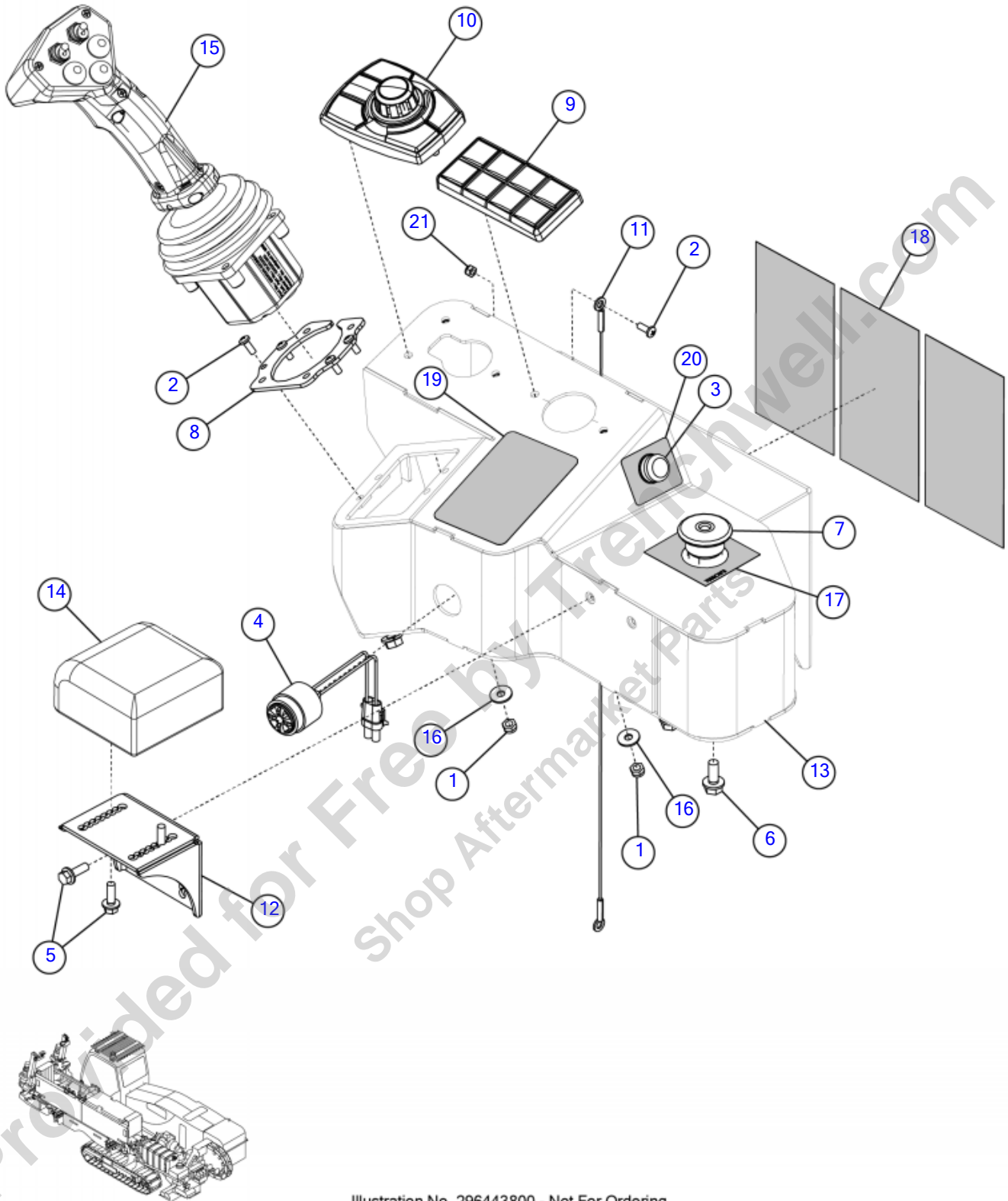


Illustration No. 296443800 - Not For Ordering

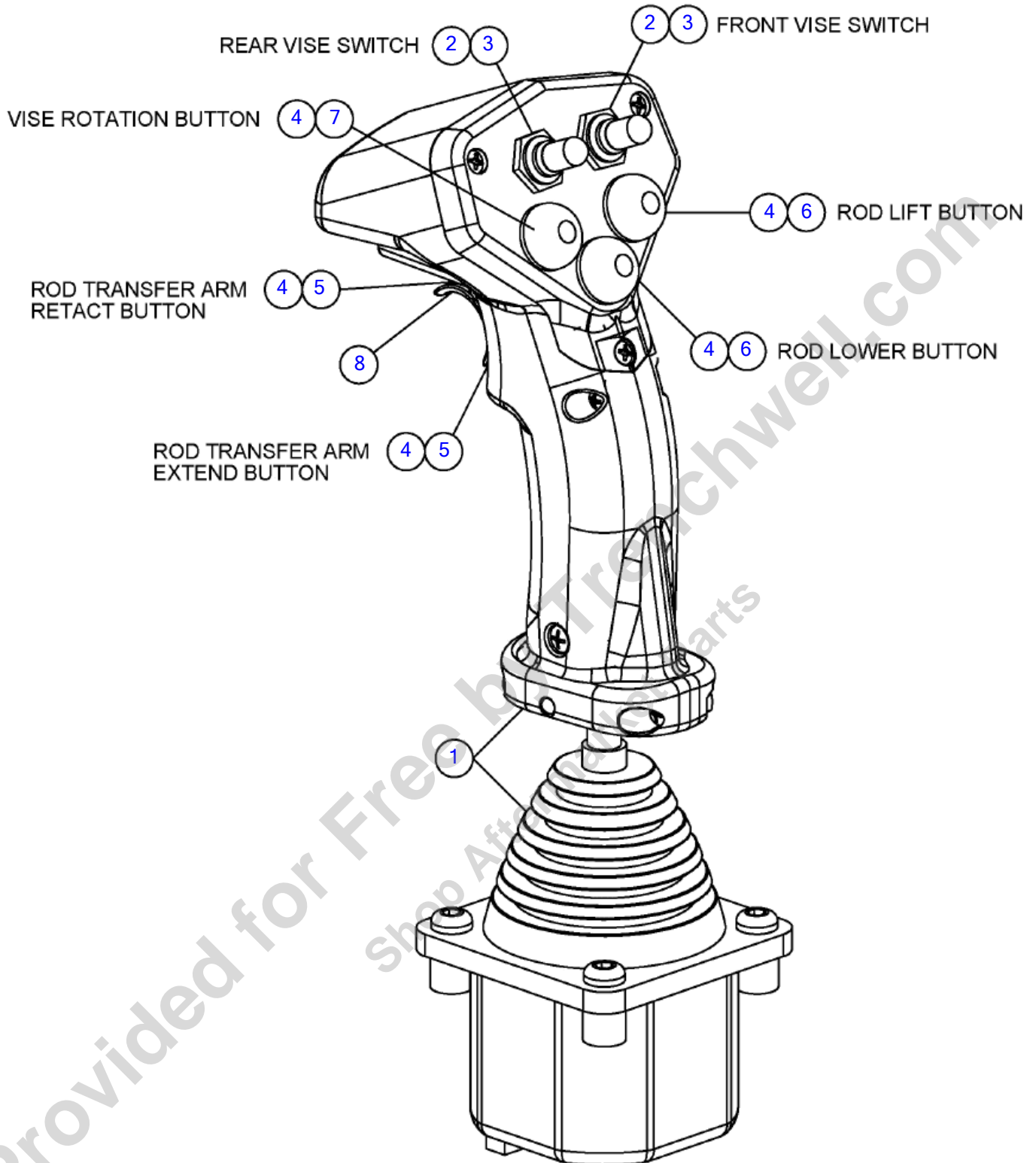
Right Console W/ Joystick (SN 1092-)

Fig 06-03R01

REF NO.	PART NO.	DESCRIPTION	QTY.	REMARKS
1	128478001	NUT-HEX NYL M6-1.00 YZ D985	5	
2	242655001	SCREW-#10-24X1/2PAN HD PLT PHP	5	
3	260766001	BUTTON SWITCH	1	
4	286920001	REMOTE LOCKOUT BUZZER	1	
5	296300753	SCREW-HFS-.25-20X.75-GR8	4	
6	296300762	SCREW HFS .31 - 18 X .75 GR8	5	
7	296333754	ESTOP - HEAVY DUTY N/C and N/O	1	
8	296351587	PLATE - JOYSTICK MOUNT	1	
9	296372555	KEYPAD-RIGHT COMMON PLATFORM LVL II	1	
10	296372565	ENCODER-VDC COMMON PLATFORM LVL II	1	
11	296412098	CABLE LANYARD-VANDAL COVER D24/D36	1	
12	296414133	WELDMENT - CONSOLE ARM REST	1	
13	296443801	WELDMENT - RIGHT CONSOLE	1	
14	296525076	PAD - ARM REST BLACK	1	
15	296533509	JOYSTICK-RH DRILL CAN	1	Breakdown Fig. 6-3T01R01
16	507086006	WASHER-FLAT,M6, LARGE RIM, DIN9021	5	
17	7000C073	DECAL - E-STOP	1	
18	7000G340	DECAL-DANGER, 3 PANEL	1	Domestic
18	700IG340	DECAL-DANGER, 3 PANEL	1	International
19	700IG269	DECAL-CONTROL, LOWER RH JOYSTICK	1	
20	700IG434	DECAL-CONTROL, PUSH TO START	1	
21	99042001	NUT-NYLOCK-#10-24-GR2-CZ	1	

Breakdown-Right Hand Joystick Non-Cab (SN 101-1091)

Fig 06-03T01



Breakdown-Right Hand Joystick Non-Cab (SN 101-1091)

Fig 06-03T01

REF NO.	PART NO.	DESCRIPTION	QTY.	REMARKS
1		JOYSTICK HANDLE & BASE	1	Not Sold Separately
2	296367529	TOGGLE SWITCH	2	
3	296367530	TOGGLE SWITCH BOOT-BLACK	2	
4	296367531	PUSH BUTTON-BLACK	3	
5	296367532	PUSH BUTTON-YELLOW	2	
6	296367533	SILICONE BOOT-BLACK	2	
7	296367534	SILICONE BOOT-CLEAR	3	
8	296418339	OEM TRIGGER	1	
	296533509	JOYSTICK-RH DRILL CAN	A/R	Includes All Items Listed Above
	(296376913)	JOYSTICK-RH DRILL CAN	A/R	Includes All Items Listed Above

Provided for Free by Trenchwell.com
Shop Aftermarket Parts

Breakdown-Joystick RH (SN 1092-)

Fig 06-03T01R01

Breakdown limited because: special tools or training required,
parts not available, may void warranty, and/or not cost effective.

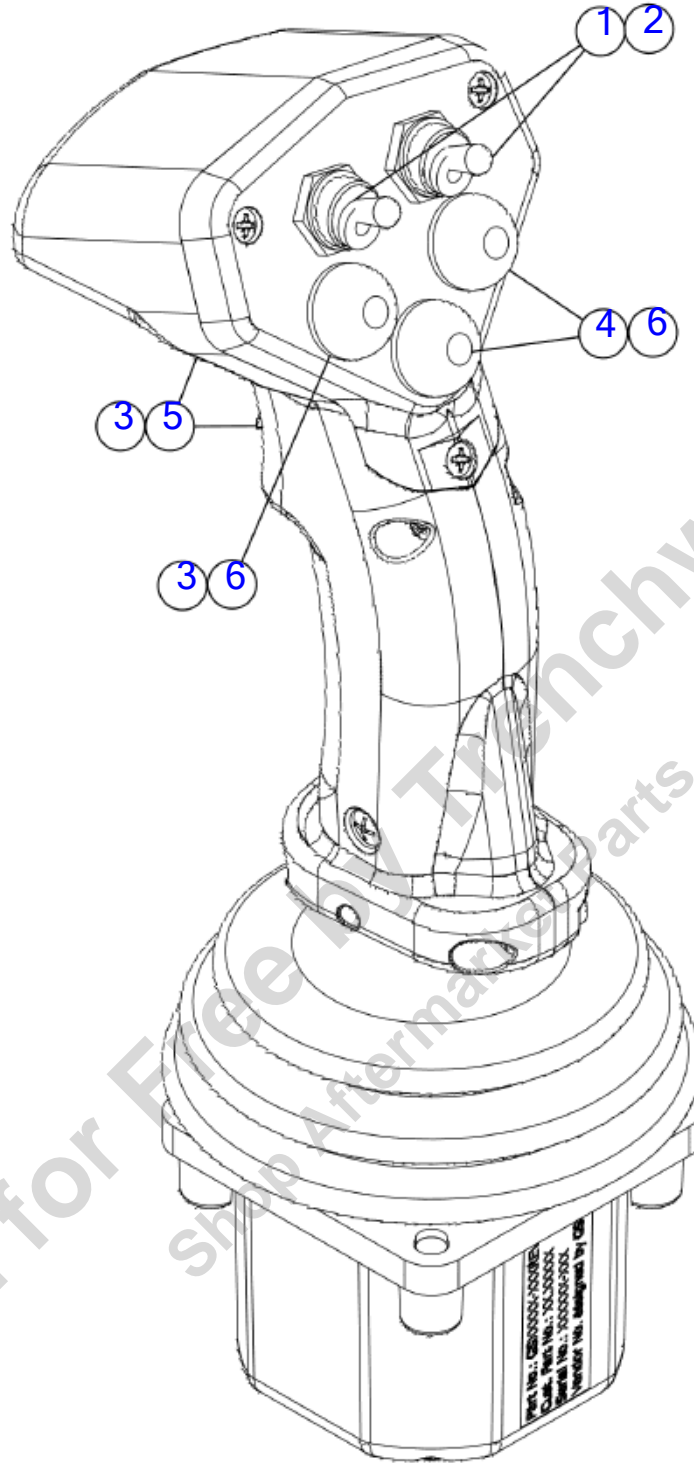


Illustration No. 296533509_BD—Not For Ordering

Breakdown-Joystick RH (SN 1092-)

Fig 06-03T01R01

REF NO.	PART NO.	DESCRIPTION	QTY.	REMARKS
1	296367529	TOGGLE SWITCH	2	
2	296454460	TOGGLE SWITCH HALF BOOT	2	
3	296367531	PUSH BUTTON-BLACK	3	
4	296367532	PUSH BUTTON-YELLOW	2	
5	296367533	SILICONE BOOT-BLACK	2	
6	296367534	SILICONE BOOT-CLEAR	3	
	296533509	JOYSTICK-RH DRILL CAN	1	Includes Refs. 1-6

Provided for Free by Trenchwell.com
Shop Aftermarket Parts

Left Console w/ Joystick (SN 101-1091)

Fig 06-04

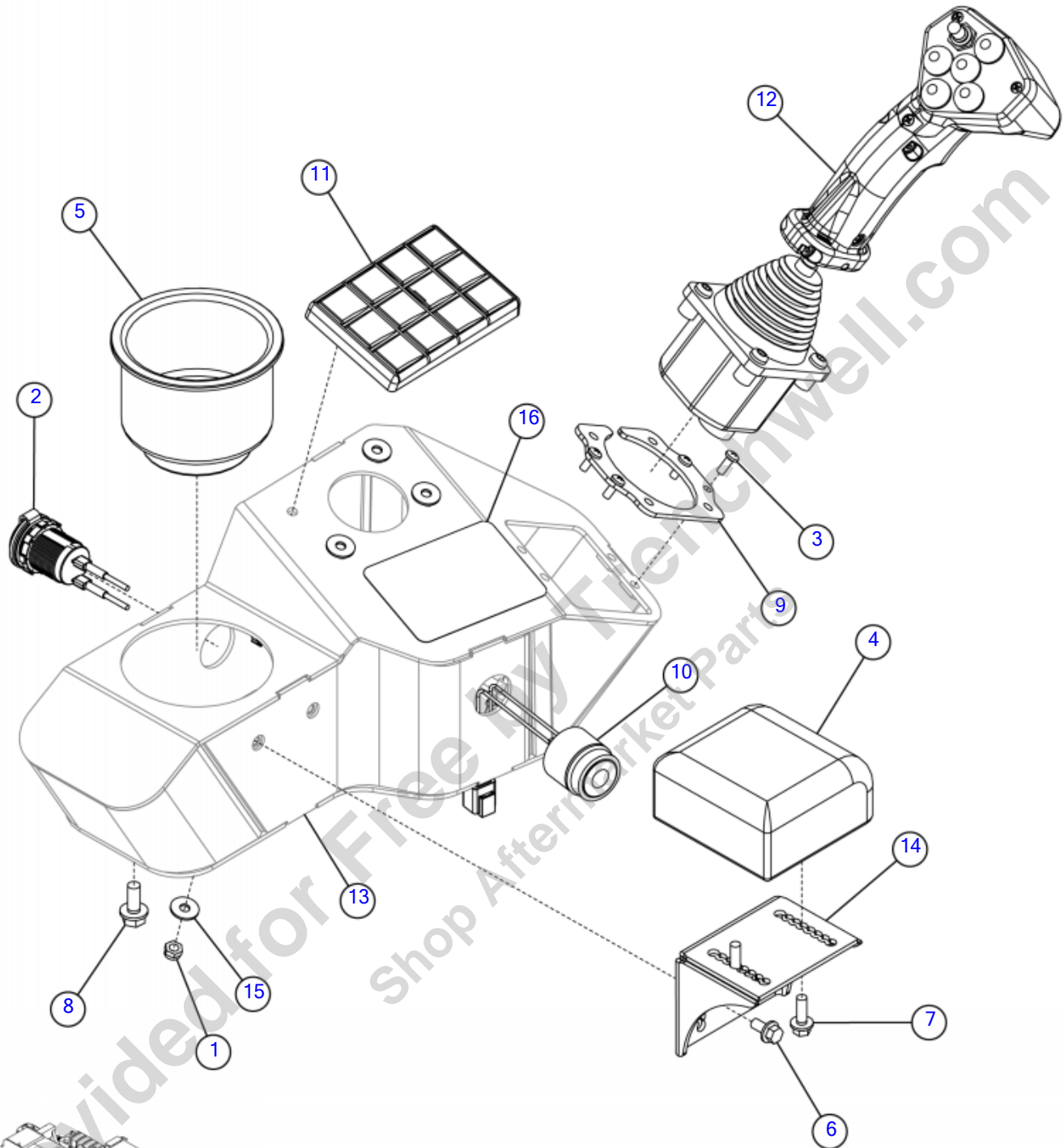


Illustration No. 296414120 - Not For Ordering

Left Console w/ Joystick (SN 101-1091)

Fig 06-04

REF NO.	PART NO.	DESCRIPTION	QTY.	REMARKS
1	128478001	NUT-HEX NYL M6-1.00 YZ D985	4	
2	154677001	OUTLET - 12 VOLT	2	
3	242655001	SCREW-#10-24X1/2PAN HD PLT PHP	4	
4	296276722	PAD - ARM REST	1	
5	296296557	CUP HOLDER - LARGE	1	
6	296300751	SCREW HFS .25-20X.50 GR8-YZ	2	
7	296300753	SCREW-HFS-.25-20X.75-GR8-YZ	2	
8	296300762	SCREW HFS .31 - 18 X .75 GR8 YZ	3	
9	296351587	PLATE - JOYSTICK MOUNT	1	
10	296358195	HORN-STRIKE ALERT	1	
11	296372568	KEYPAD-SET UP COMMON LVL II	1	
12	296533510	JOYSTICK-LH DRILL CAN	1	Breakdown Fig. 6-4T01
12	(296376912)	JOYSTICK-LH DRILL CAN	1	Breakdown Fig. 6-4T01
13	296412015	WELDMENT - LEFT CONSOLE	1	
14	296414133	WELDMENT - CONSOLE ARM REST	1	
15	507086006	WASHER-FLAT,M6, LARGE RIM, DIN9021	4	
16	700IG614	DECAL-CONTROL, LOWER LH JOYSTICK	1	

Left Console W/ Joystick (SN 1092-)

Fig 06-04R01

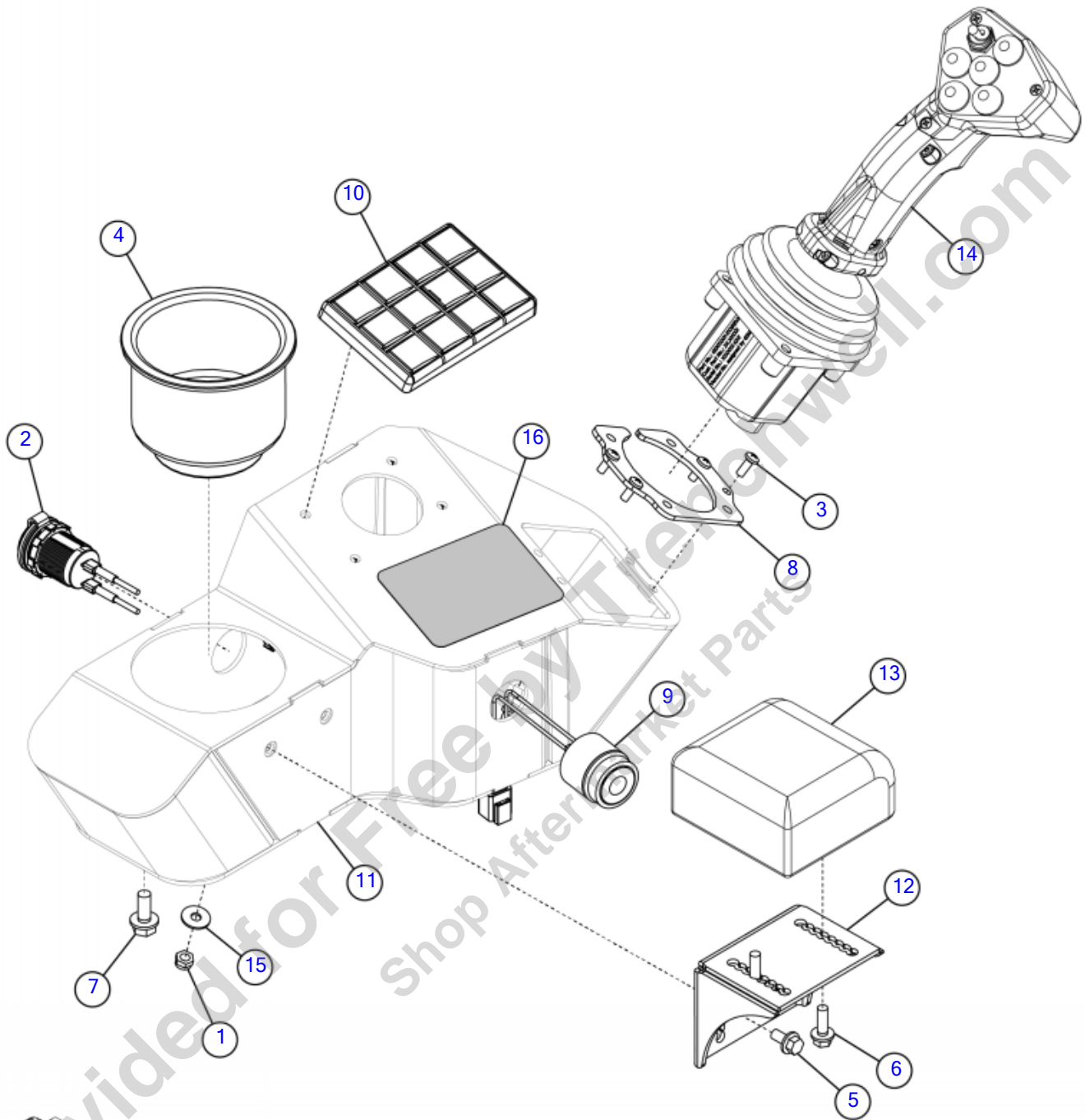


Illustration No. 296414120 - Not For Ordering

Left Console W/ Joystick (SN 1092-)

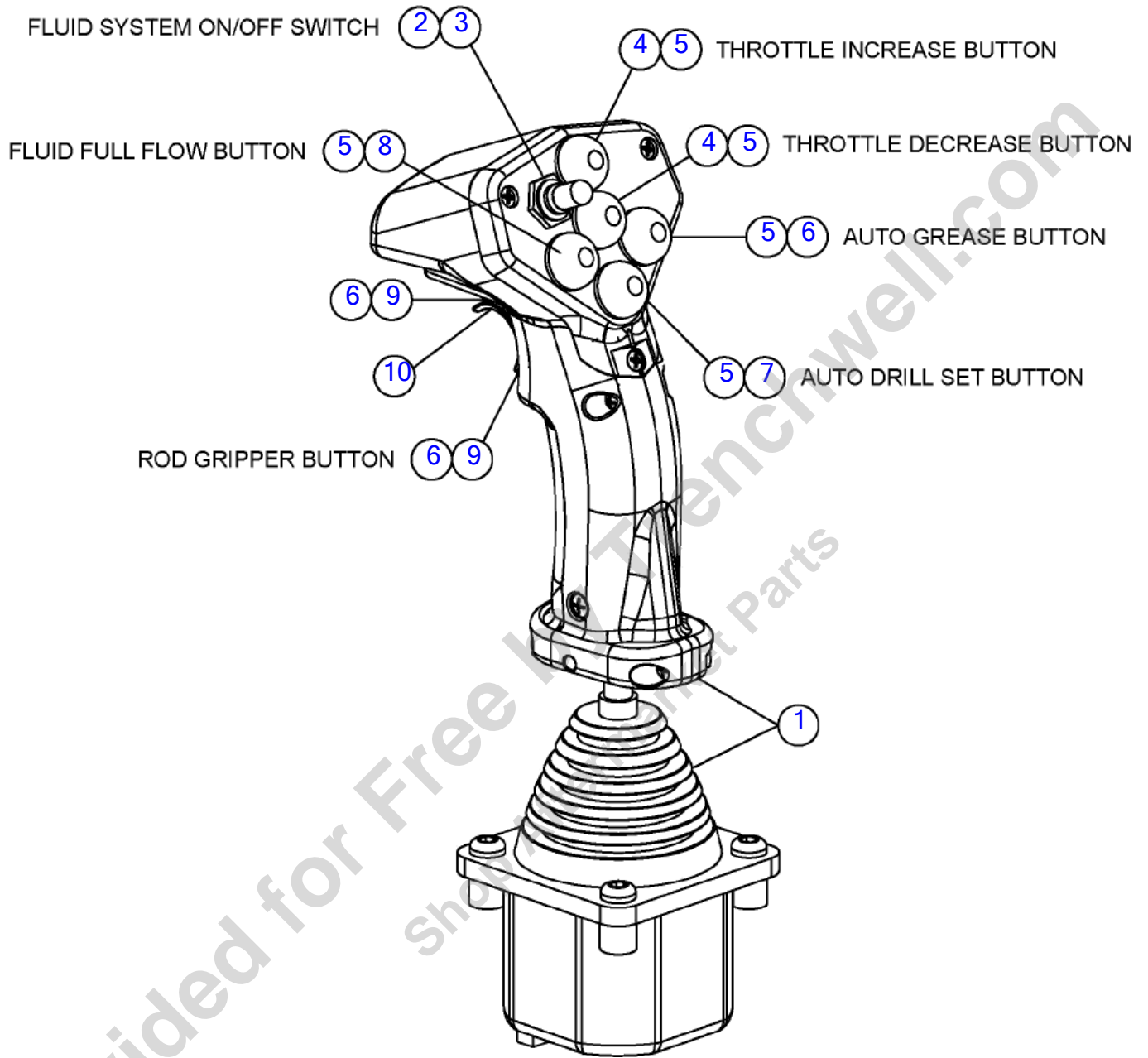
Fig 06-04R01

REF NO.	PART NO.	DESCRIPTION	QTY.	REMARKS
1	128478001	NUT-HEX NYL M6-1.00 YZ D985	4	
2	154677001	OUTLET - 12 VOLT	2	
3	242655001	SCREW-#10-24X1/2PAN HD PLT PHP	4	
4	296296557	CUP HOLDER - LARGE	1	
5	296300751	SCREW HFS .25-20X.50 GR8	2	
6	296300753	SCREW-HFS-.25-20X.75-GR8	2	
7	296300762	SCREW HFS .31 - 18 X .75 GR8	3	
8	296351587	PLATE - JOYSTICK MOUNT	1	
9	296358195	HORN-STRIKE ALERT	1	
10	296372568	KEYPAD-SET UP COMMON LVL II	1	
11	296412015	WELDMENT - LEFT CONSOLE	1	
12	296414133	WELDMENT - CONSOLE ARM REST	1	
13	296525076	PAD - ARM REST BLACK	1	
14	296533510	JOYSTICK-LH DRILL CAN	1	Breakdown Fig. 6-4T01R01
15	507086006	WASHER-FLAT,M6, LARGE RIM, DIN9021	4	
16	700IG614	DECAL-CONTROL, LOWER LH JOYSTICK	1	

Provided for Free by Trenchwell.com
Shop Aftermarket Parts

Breakdown-Left Hand Joystick Non-Cab (SN 101-1091)

Fig 06-04T01



Breakdown-Left Hand Joystick Non-Cab (SN 101-1091)

Fig 06-04T01

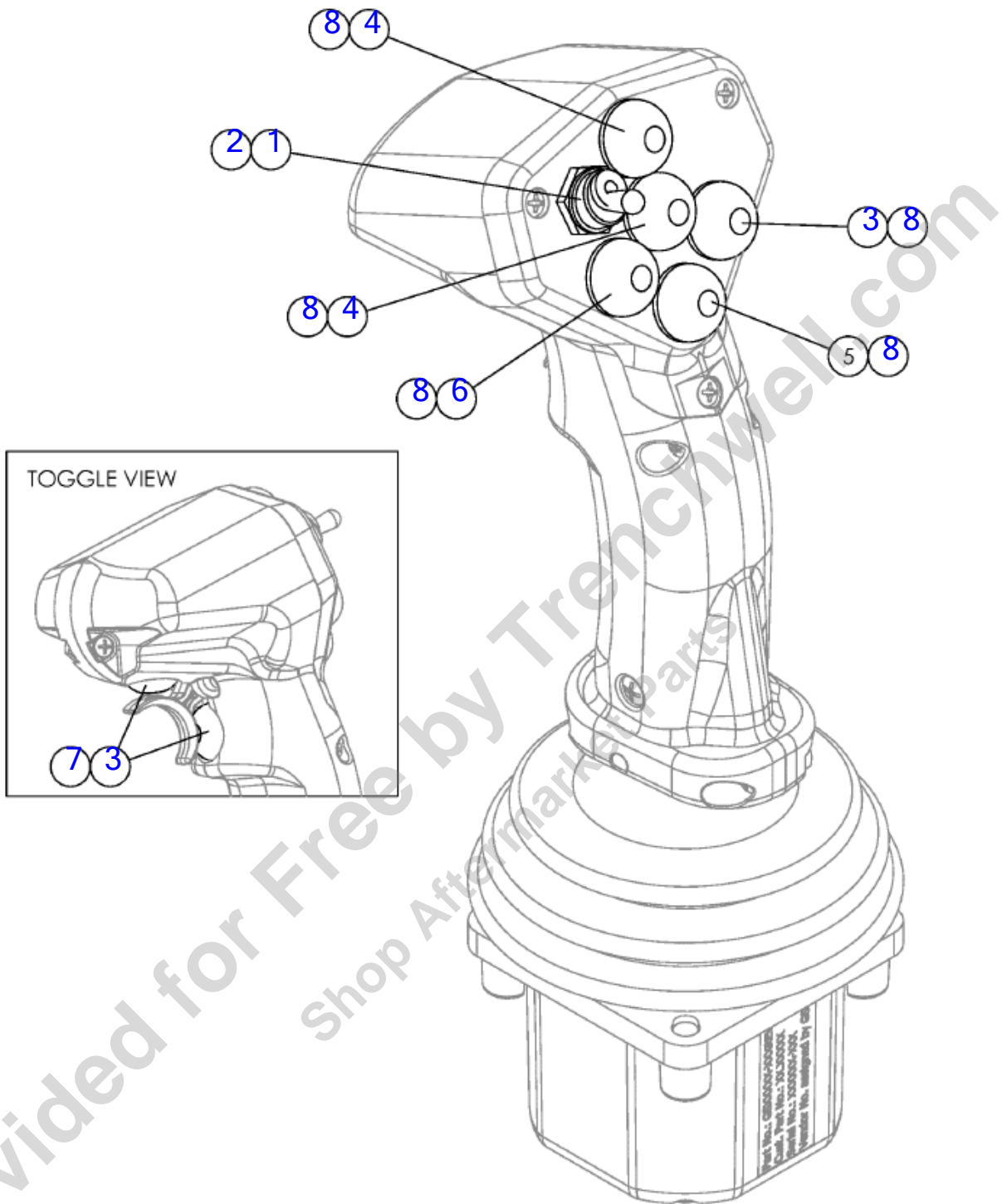
REF NO.	PART NO.	DESCRIPTION	QTY.	REMARKS
1		JOYSTICK HANDLE & BASE	1	Not Sold Separately
2	296367529	TOGGLE SWITCH	1	
3	296367530	TOGGLE SWITCH BOOT-BLACK	1	
4	296367541	PUSH BUTTON-ORANGE	2	
5	296367534	SILICONE BOOT-CLEAR	5	
6	296367531	PUSH BUTTON-BLACK	3	
7	296367542	PUSH BUTTON-GREEN	1	
8	296367543	PUSH BUTTON-BLUE	1	
9	296367533	SILICONE BOOT-BLACK	2	
10	296418339	OEM TRIGGER	1	
	296533510	JOYSTICK-LH DRILL CAN	1	Includes All Items Listed Above
	(296376912)	JOYSTICK-LH DRILL CAN	1	Includes All Items Listed Above

Provided for Free by Trenchwell.com
Shop Aftermarket Parts

Breakdown-Joystick LH (SN 1092-)

Fig 06-04T01R01

Breakdown limited because: special tools or training required,
parts not available, may void warranty, and/or not cost effective.



Breakdown-Joystick LH (SN 1092-)

Fig 06-04T01R01

REF NO.	PART NO.	DESCRIPTION	QTY.	REMARKS
1	296367529	TOGGLE SWITCH	1	
2	296454460	TOGGLE SWITCH HALF BOOT	1	
3	296367531	PUSH BUTTON-BLACK	3	
4	296360553	APEM PUSHBUTTON ORANGE	2	
5	296360556	APEM PUSHBUTTON GREEN	1	
6	296360554	APEM PUSHBUTTON BLUE	1	
7	296367533	SILICONE BOOT-BLACK	2	
8	296367534	SILICONE BOOT-CLEAR	5	
	296533510	JOYSTICK-LH DRILL CAN	1	Includes Refs. 1-8.

Provided for Free by Trenchwell.com
Shop Aftermarket Parts

Front Display

Fig 06-05

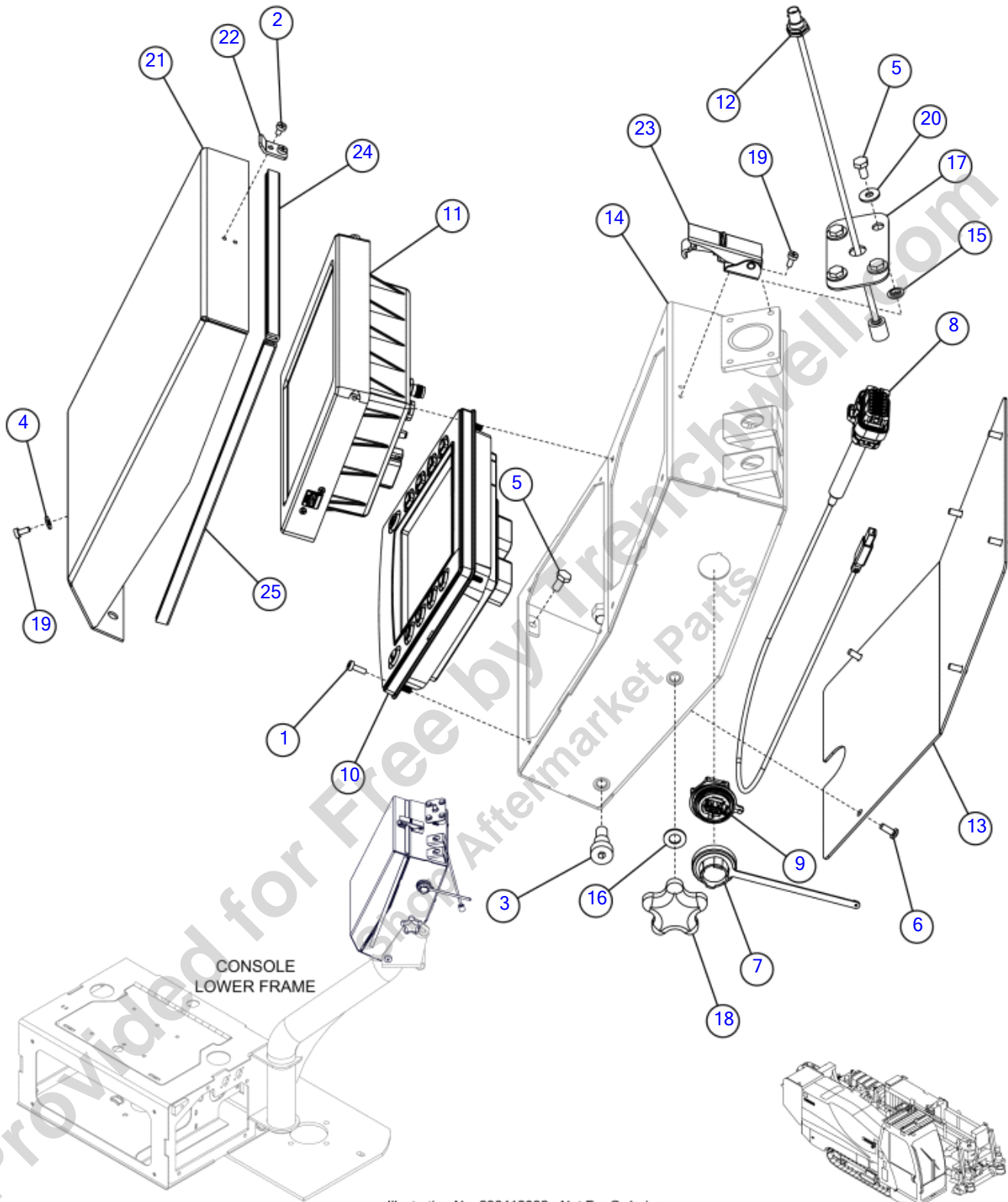


Illustration No. 296412032 - Not For Ordering

Front Display

Fig 06-05

REF NO.	PART NO.	DESCRIPTION	QTY.	REMARKS
1	130745083	SCREW - MCH-8-32 X .50-PHILLIPS-CZ	4	
2	163721584	SCREW-MCH-8-32X.25-GR2-CZ-PHILLIPS	2	
3	180007758	SCREW-SHSS-.50X.50-.38-16THD-CZ (PFCN)	2	
4	224769001	WASHER-#8 FLAT	1	
5	235733001	BOLT-1/4-20X1/2 GR8 ZYC	6	
6	242655001	SCREW-#10-24X1/2PAN HD PLT PHP	6	
7	296333831	CAP-USB SEALED	1	
8	296347250	HARNESS-DISPLAY, USB INTERFACE	1	
9	296371761	USB A/REAR USB B FRONT PANEL MOUNT	1	
10	296376824	DISPLAY-FW MURPHY PV780 STANDARD	1	
11	296376827	AURORA PANEL MOUNT 8.4" DIGITRAK SERIES DISPLAY	1	
11	296338886	MFD/FSD/SED/EDD 13" ANTENNA	1	Not Shown-Supplied with Display
12	296376918	RG58 CABLE 1 FOOT- TNC RT ANGLE TO BNC BULKHEAD	1	
13	296412012	PLATE - DISPLAY BACK AURORA	1	
14	296502805	WELDMENT - DISPLAY BOX AURORA	1	
14	(296412031)	WELDMENT - DISPLAY BOX AURORA	1	
15	296412048	BUSHING-FLANGE NYLON .25 BLACK	4	
16	296412049	WASHER-3/8 NYLON BLACK	1	
17	296412054	PLATE - ANTENNA GROUNDING PLANE	1	
18	296412055	KNOB CLAMP 3/8 16	1	
19	296412083	SCREW-MCH-8-32X.38-GR2-CZ-PAN-PHILLIPS	3	
20	296412088	WASHER-NYLON .26ID .69OD BLACK	4	
21	296414130	WELDMENT - VANDAL COVER	1	
22	296414131	KEEPER CLANCEY	1	
23	296414132	LATCH-CLANCEY	1	
24	296443976	EDGE TRIM - 3/32" PLASTIC W/METAL CORE 9.5" LONG	1	
25	296443977	EDGE TRIM - 3/32" PLASTIC W/ METAL CORE 12" LONG	2	

Front Display (SN 705-2203)

Fig 06-05R01

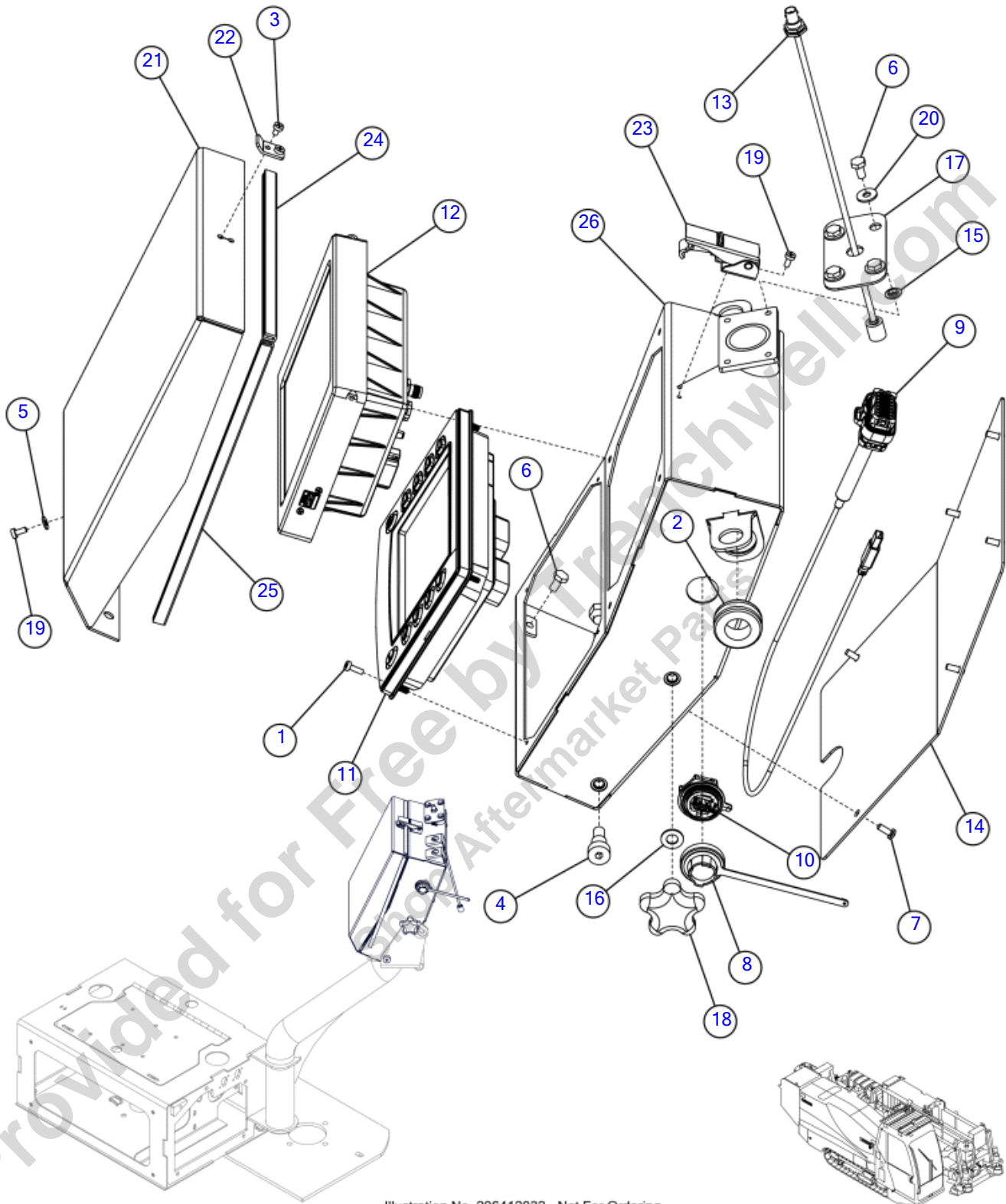


Illustration No. 296412032 - Not For Ordering

Front Display (SN 705-2203)

Fig 06-05R01

REF NO.	PART NO.	DESCRIPTION	QTY.	REMARKS
1	130745083	SCREW - MCH-8-32 X .50-PHILLIPS-CZ	4	
2	163713178	GROMMET - 7/8 ID X 1-5/8 OD X 1-1/4 GD 1/4 GW	2	
3	163721584	SCREW-MCH-8-32X.25-GR2-CZ-PHILLIPS	2	
4	180007758	SCREW-SHSS-.50X.50-.38-16THD-CZ (PFCN)	2	
5	224769001	WASHER-#8 FLAT	1	
6	235733001	BOLT-1/4-20X1/2 GR8 ZYC	6	
7	242655001	SCREW-#10-24X1/2PAN HD PLT PHP	6	
8	296333831	CAP-USB SEALED	1	
9	296347250	HARNESS-DISPLAY, USB INTERFACE	1	
10	296371761	USB A/REAR USB B FRONT PANEL MOUNT	1	
11	296376824	DISPLAY-FW MURPHY PV780 STANDARD	1	
12	296376827	AURORA PANEL MOUNT 8.4" DIGITRAK SERIES DISPLAY	A/R	
12	296338886	MFD/FSD/SED/EDD 13" ANTENNA	1	Not Shown-Supplied with Display
13	296376918	RG58 CABLE 1 FOOT- TNC RT ANGLE TO BNC BULKHEAD	1	
14	296412012	PLATE - DISPLAY BACK AURORA	1	
15	296412048	BUSHING-FLANGE NYLON .25 BLACK	4	
16	296412049	WASHER-3/8 NYLON BLACK	1	
17	296412054	PLATE - ANTENNA GROUNDING PLANE	1	
18	296412055	KNOB CLAMP 3/8 16	1	
19	296412083	SCREW-MCH-8-32X.38-GR2-CZ-PAN-PHILLIPS	3	
20	296412088	WASHER-NYLON .26ID .69OD BLACK	4	
21	296414130	WELDMENT - VANDAL COVER	1	
22	296414131	KEEPER CLANCEY	1	
23	296414132	LATCH-CLANCEY	1	
24	296443976	EDGE TRIM - 3/32" PLASTIC W/METAL CORE 9.5" LONG	1	
25	296443977	EDGE TRIM - 3/32" PLASTIC W/ METAL CORE 12" LONG	2	
26	296550251	WELDMENT - DISPLAY BOX AURORA SN:000705--	1	(SN_705-)
26	(296502805)	WELDMENT - DISPLAY BOX AURORA SN:000705--	1	(SN_705-)

Front Display (SN 2204-)

Fig 06-05R02

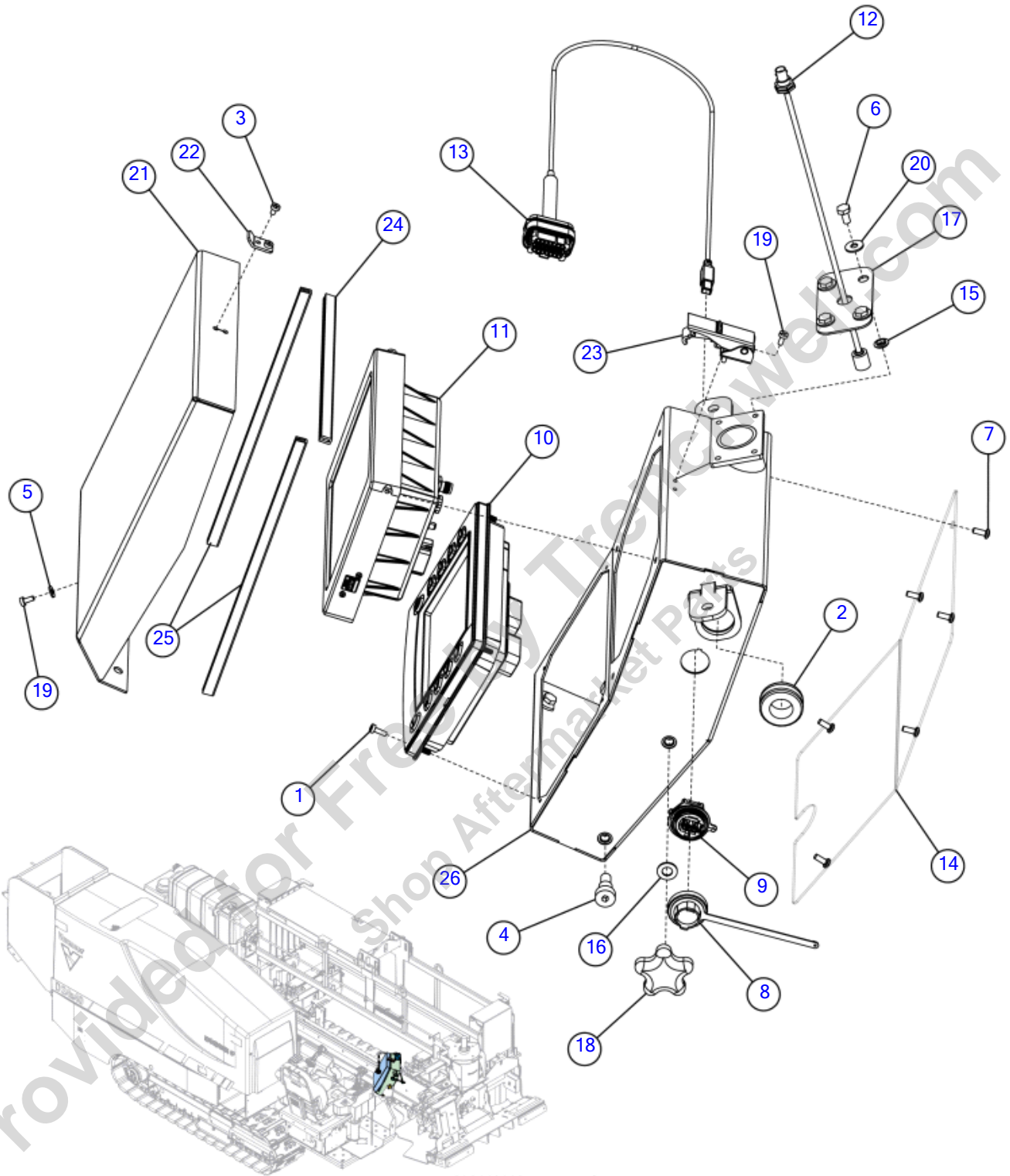


Illustration No. 296412032 - Not For Ordering

Front Display (SN 2204-)

Fig 06-05R02

REF NO.	PART NO.	DESCRIPTION	QTY.	REMARKS
1	130745083	SCREW - MCH-8-32 X .50-PHILLIPS-CZ	4	
2	163713178	GROMMET - 7/8 ID X 1-5/8 OD X 1-1/4 GD 1/4 GW	2	
3	163721584	SCREW-MCH-8-32X.25-GR2-CZ-PHILLIPS	2	
4	180007758	SCREW-SHSS-.50X.50-.38-16THD-CZ (PFCN)	2	
5	224769001	WASHER-#8 FLAT	1	
6	235733001	BOLT-1/4-20X1/2 GR8	6	
7	242655001	SCREW-#10-24X1/2PAN HD PLT PHP	6	
8	296333831	CAP-USB SEALED	1	
9	296371761	USB A/REAR USB B FRONT PANEL MOUNT	1	
10	296376824	DISPLAY-FW MURPHY PV780 STANDARD	1	
11	296376827	AURORA PANEL MOUNT 8.4" DIGITRAK SERIES DISPLAY	1	
12	296376918	RG58 CABLE 1 FOOT- TNC RT ANGLE TO BNC BULKHEAD	1	
13	296403455	HARNESS-DISPLAY INTERFACE, PV780	1	
14	296412012	PLATE - DISPLAY BACK AURORA	1	
15	296412048	BUSHING-FLANGE NYLON .25 BLACK	4	
16	296412049	WASHER-3/8 NYLON BLACK	1	
17	296412054	PLATE - ANTENNA GROUNDING PLANE	1	
18	296412055	KNOB CLAMP 3/8 16	1	
19	296412083	SCREW-MCH-8-32X.38-GR2-CZ-PAN-PHILLIPS	3	
20	296412088	WASHER-NYLON .26ID .69OD BLACK	4	
21	296414130	WELDMENT - VANDAL COVER	1	
22	296414131	KEEPER CLANCEY	1	
23	296414132	LATCH-CLANCEY	1	
24	296443976	EDGE TRIM - 3/32" PLASTIC W/METAL CORE 9.5" LONG	1	
25	296443977	EDGE TRIM - 3/32" PLASTIC W/ METAL CORE 12" LONG	2	
26	296550251	WELDMENT - DISPLAY BOX AURORA	1	

Remote Lockout (SN 101-839)

Fig 06-06

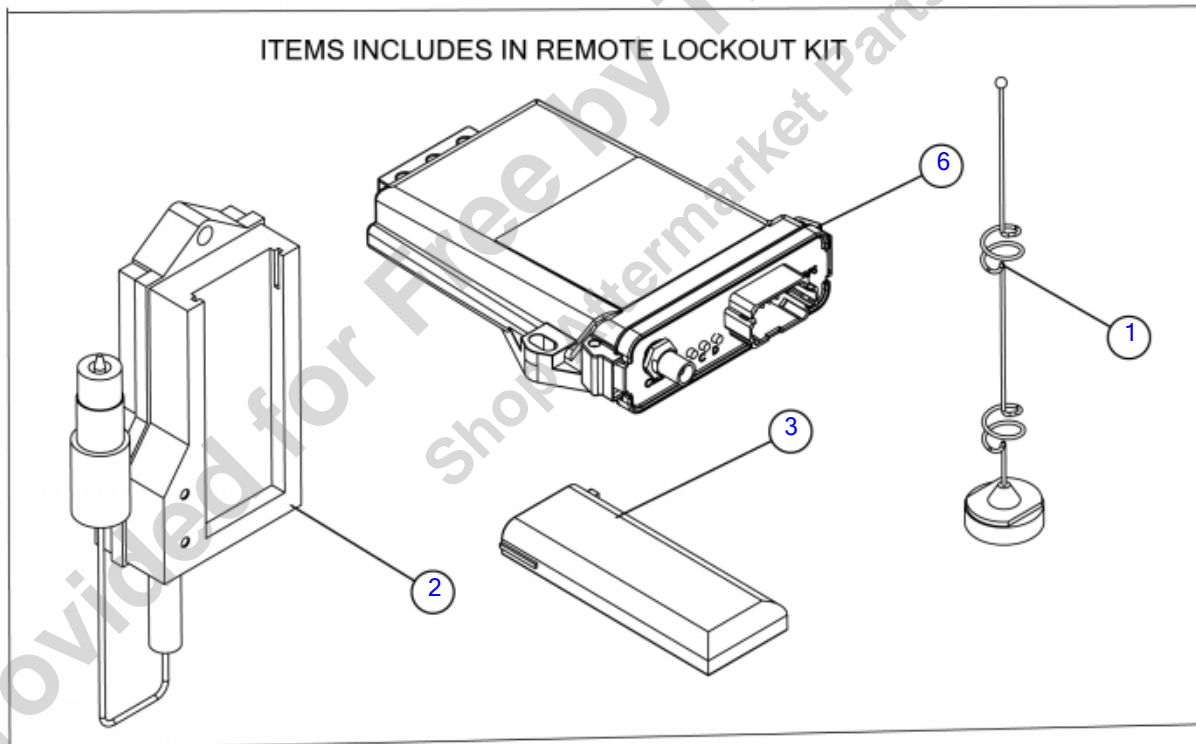
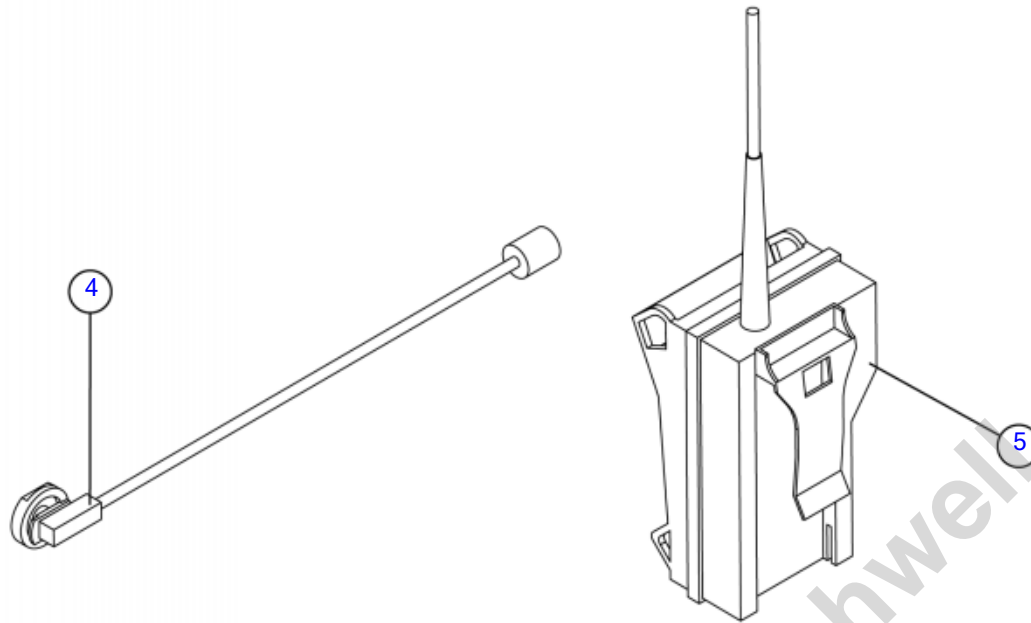


Illustration No-296412059 - Not For Ordering

Remote Lockout (SN 101-839)

Fig 06-06

REF NO.	PART NO.	DESCRIPTION	QTY.	REMARKS
1	296272382	ANTENNA - 2400MHZ 1/4 WAVE	1	
2	296272392	CHARGER, 12-VOLT NBB	1	
3	296272400	BATTERY - 1000MA NBB	1	
4	296372598	CABLE-RMT LCK/RADIO BASE 6FT MOTOROLA TO TNC	1	
5	296481438	ASM - R3 LOCKOUT INT V2	1	
6	296481446	ASM - B626LK7, UNIVERSAL INT	1	

Provided for Free by Trenchwell.com
Shop Aftermarket Parts

Remote Lockout (SN 840-2203)

Fig 06-06R01

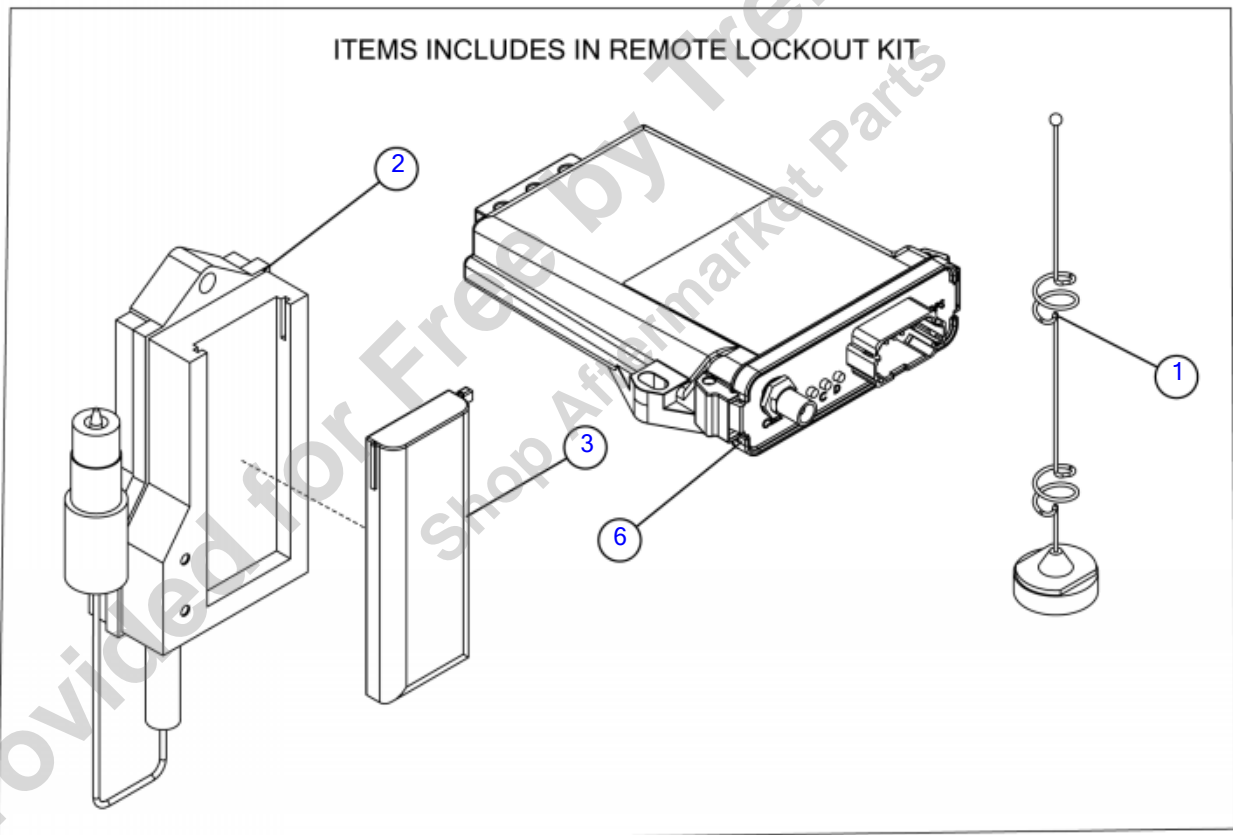
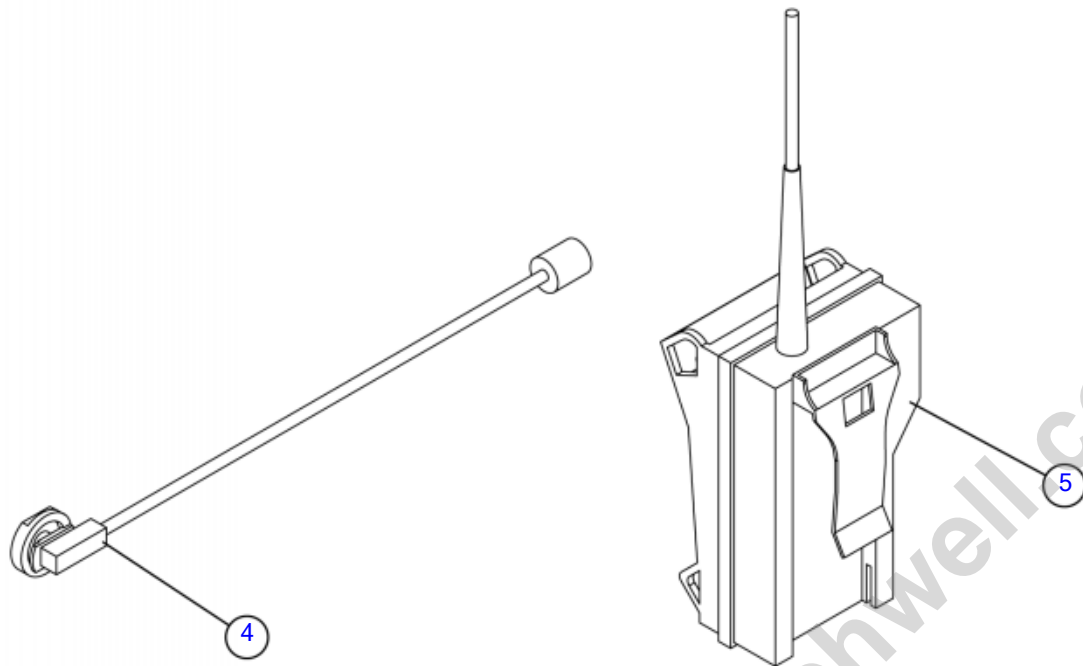


Illustration No-296412059 - Not For Ordering

Remote Lockout (SN 840-2203)

Fig 06-06R01

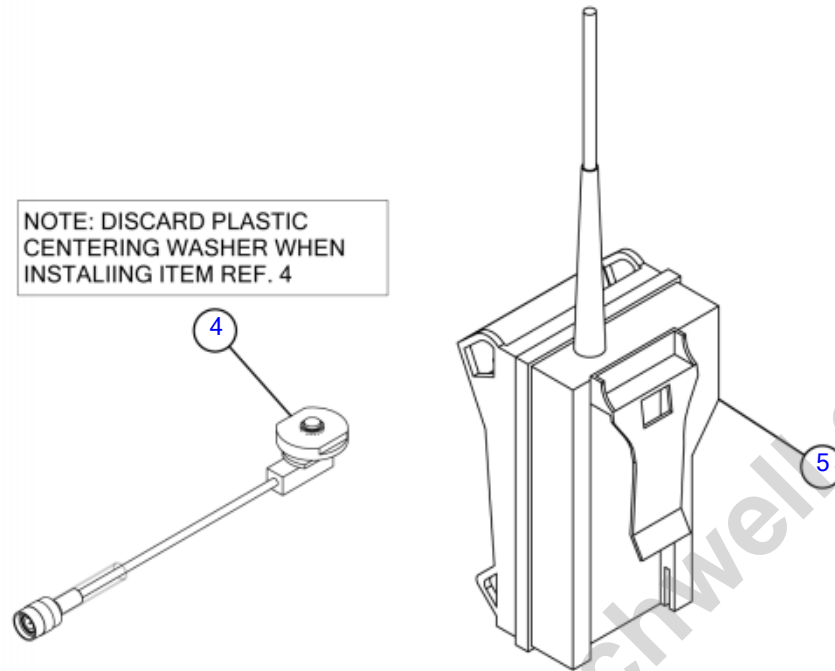
REF NO.	PART NO.	DESCRIPTION	QTY.	REMARKS
1	296272382	ANTENNA - 2400MHZ 1/4 WAVE	1	
2	296272392	CHARGER, 12-VOLT NBB	1	
3	296272400	BATTERY - 1000MA NBB	1	
4	296372598	CABLE-RMT LCK/RADIO BASE 6FT MOTOROLA TO TNC	1	
5	296481438	ASM - R3 LOCKOUT INT V2	1	
6	296521320	ASM - B626LK7, UNIVERSAL	1	

Provided for Free by Trenchwell.com
Shop Aftermarket Parts

Remote Lockout (SN 2204-)

Fig 06-06R02

NOTE: DISCARD PLASTIC CENTERING WASHER WHEN INSTALING ITEM REF. 4



ITEMS INCLUDES IN REMOTE LOCKOUT KIT

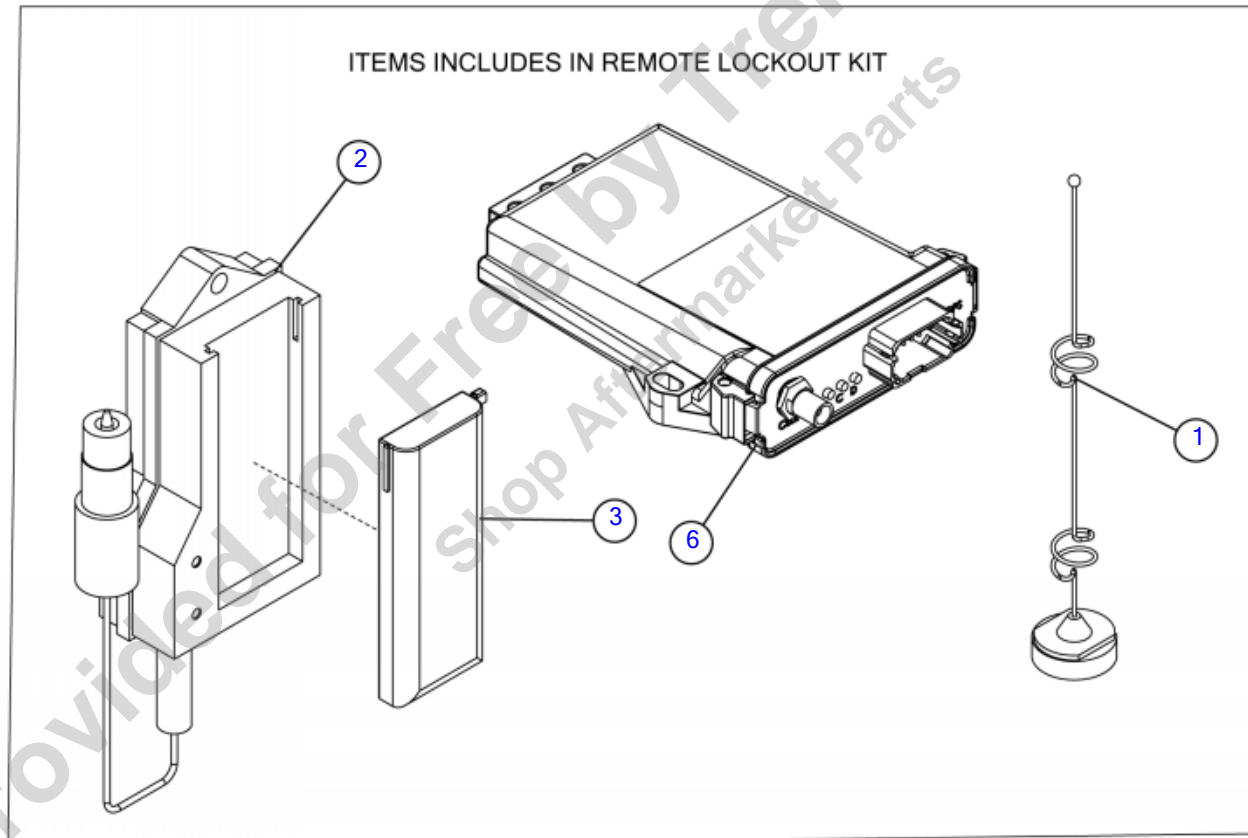


Illustration No-296412059 - Not For Ordering

Remote Lockout (SN 2204-)

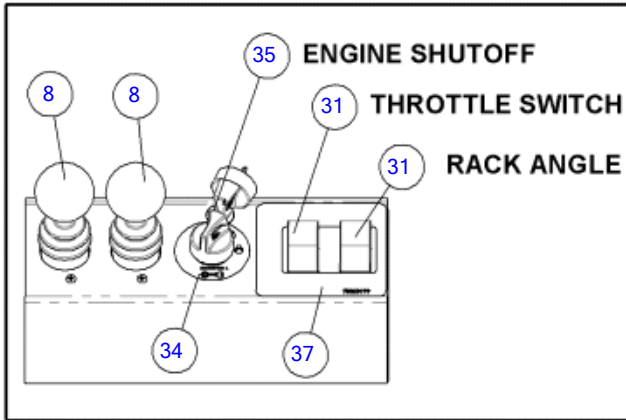
Fig 06-06R02

REF NO.	PART NO.	DESCRIPTION	QTY.	REMARKS
1	296272382	ANTENNA - 2400MHZ 1/4 WAVE	1	
2	296272392	CHARGER, 12-VOLT NBB	1	
3	296272400	BATTERY - 1500MA NBB NIMH	1	
4	296447052	CABLE-RG58/U MOTOROLA ANTENNA	1	
5	296481438	ASM - R3 LOCKOUT INT V2	1	
6	296521320	ASM - B626LK7, UNIVERSAL	1	

Provided for Free by Trenchwell.com
Shop Aftermarket Parts

Rear Transport Station

Fig 06-07



NOTE: BLANK/UNPROGRAMMED CONTROLLERS MUST BE LOADED WITH SOFTWARE/PROGRAMMED PRIOR TO BEING INSTALLED OR IN USE.
DEALERS: REFER TO COMPASS FOR PROGRAMMING INSTRUCTIONS

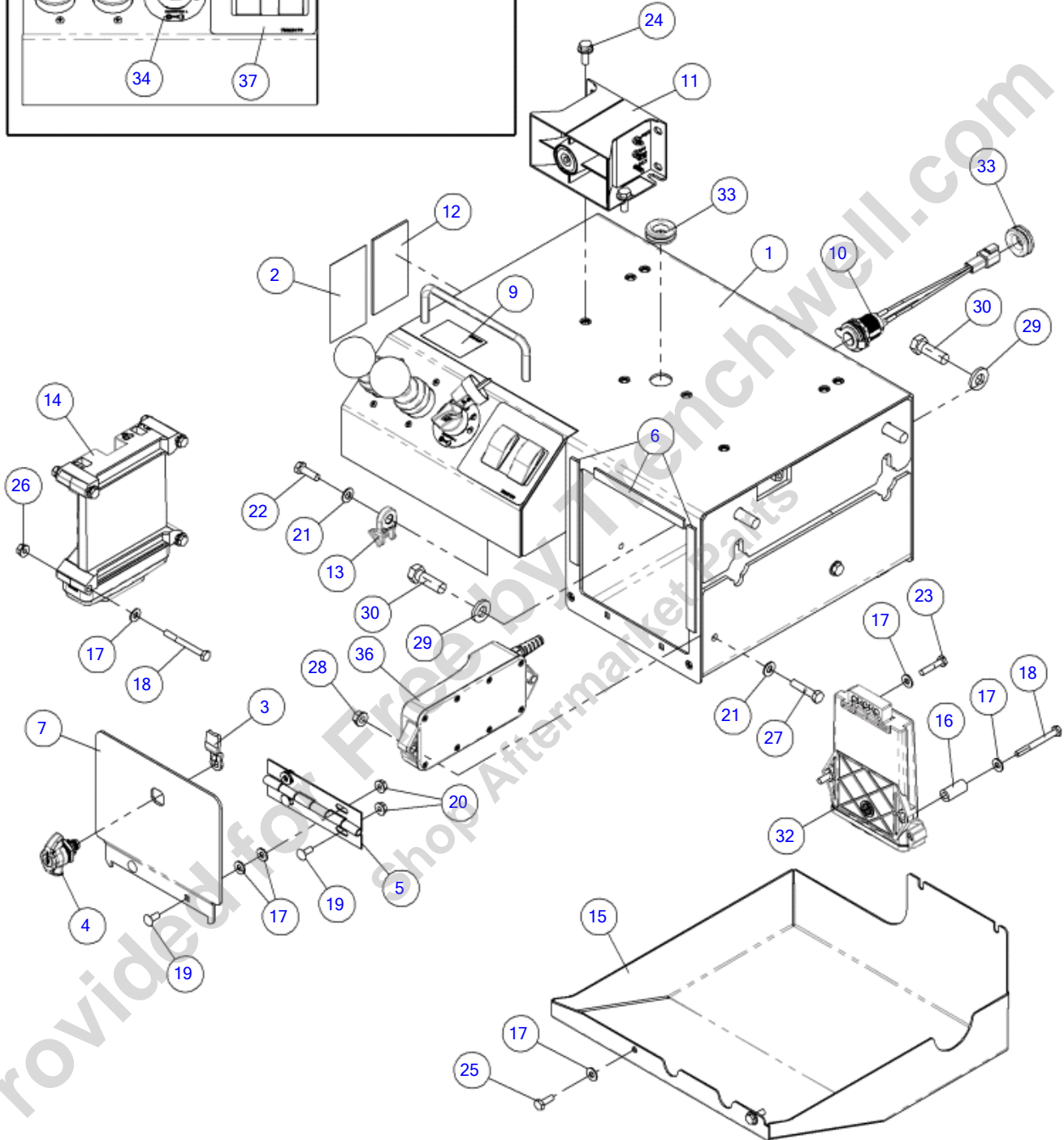


Illustration No: 296443799 - Not For Ordering

Rear Transport Station

Fig 06-07

REF NO.	PART NO.	DESCRIPTION	QTY.	REMARKS
1	296443798	WELDMENT - TRANSPORT STATION	1	
2	7000C446	DECAL - NO WELD	1	Domestic
2	700IC446	DECAL - NO WELD	1	International
3	296306077	CAM - LOCK 12MM	1	
4	163642892	CAM-LATCH LOCKABLE WING KNOB	1	
5	212832001	HINGE-FUEL FILLER DOOR	1	
6	282764001	WEATHER STRIP 75 FT PER ROLL	3	
7	296379793	PLATE - REMOTE DOOR	1	
8	296469908	ASSEMBLY - PQ M115-2071 JOYSTICK + KNOB	2	Breakdown Fig 6-7T01
8	(180015983)	JOYSTICK-PROPORTIONAL-1 AXIS	2	Breakdown Fig 6-7T01
9	700IF527	DECAL-CONTROL TRACKS	1	Domestic/International
10	154677001	OUTLET - 12 VOLT	1	
11	296333869	ALARM-DUAL FUNCTION BACK-UP	1	
12	7000B304	DECAL - WARNING	1	Domestic
12	700IB304	DECAL - WARNING	1	International
13	296276018	MOUNT HELLER MANN TITON	1	
14	631863125	CONTROLLER -MC50-110 (UNPROGRAMMED)	1	BLANK/UNPROGRAMMED
15	296412094	WELDMENT - RACK CONTROLLER SHIELD	1	
16	296307438	RD/TB - .563 O.D. X .125W X 1.188	2	
17	235716001	WASHER - FLATSTRL - .25 -.28 X .63 - .06 - CZ	13	
18	510300024	SCREW-HCS-.25-20X2.50-GR5-YZ	6	
19	373005	BOLT-1/4-20X5/8 GR5 CARRIAGE	4	
20	1809005	NUT-1/4 SM FLGE T.L.	4	
21	235714001	WASHER - 5/16 FLAT, ZN	3	
22	238209001	BOLT-5/16-18X1 GR8 HEX ZINC YC	1	
23	250008001	BOLT 1/4-20 X 1 1/4 ZINC PL	1	
24	296300762	SCREW HFS .31 - 18 X .75 GR8 YZ	2	
25	510300006	SCREW - HCS .25 - 20 X .75 GR5 YZ	2	
26	296300848	NUT-HEXFLGTL-.25-20-G-YZ	4	
27	510301014	SCREW HCS .31 18 X 1.50 GR5 YZ	2	
28	296300849	NUT-HEXFLGTL-.31-18-G-YZ	2	
29	127362001	WASHER-1/2 HARD.FLAT/PLATED	4	
30	235721001	BOLT-1/2-13X1 1/2 GR8 ZINC PLT	4	
31	257541001	SWITCH-SPDT 3 POSITION MOM	2	
32	296270163	ASM, STRIKEALERT	1	
33	1865043	GROMMET-.75IDX1.38OD-.19GROOVE	2	
34	700IG329	DECAL-THREE WAY IGNITION	1	Domestic/International
35	296347225	SWITCH IGNITION IP67 WITH DT06 6S	1	
36	296365763	ASM - LI-ION BATTERY CHARGER	1	
37	700IG199	DECAL-THROTTLE AND RACK ANGLE	1	Domestic/International

Rear Transport Station (SN 278-)

Fig 06-07R01

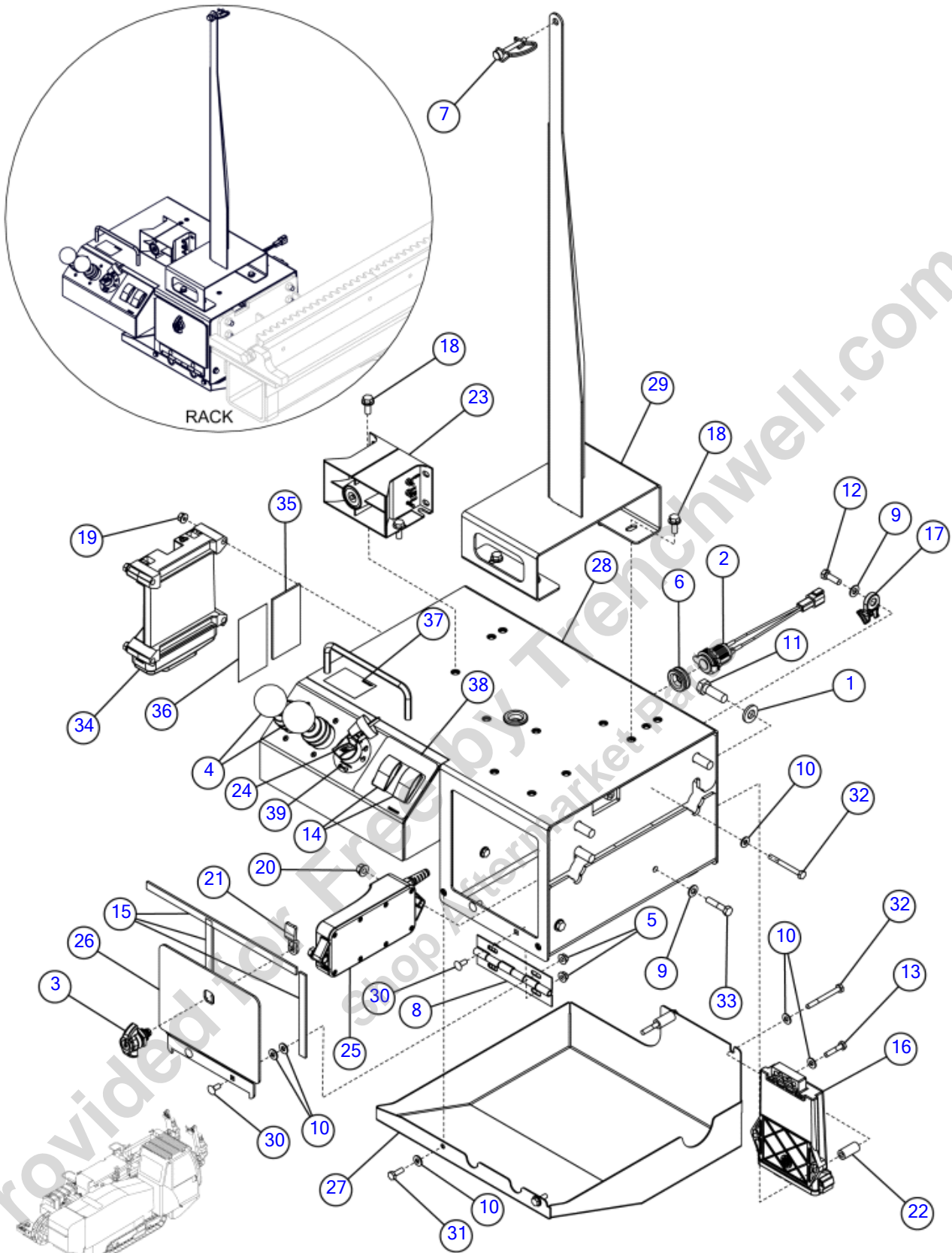


Illustration No. 296443799 - Not For Ordering

Rear Transport Station (SN 278-)

Fig 06-07R01

REF NO.	PART NO.	DESCRIPTION	QTY.	REMARKS
1	127362001	WASHER-1/2 HARD.FLAT/PLATED	4	
2	154677001	OUTLET - 12 VOLT	1	
3	163642892	CAM-LATCH LOCKABLE WING KNOB	1	
4	296469908	ASSEMBLY - PQ M115-2071 JOYSTICK + KNOB	2	Breakdown Fig. 6-7T01
4	(180015983)	JOYSTICK-PROPORTIONAL-1 AXIS	2	Breakdown Fig. 6-7T01
5	1809005	NUT-1/4 SM FLGE T.L.	4	
6	1865043	GROMMET-.75IDX1.38OD-.19GROOVE	2	
7	2108001	LYNCH PIN - 1/4 X 2	1	(278-)
8	212832001	HINGE-FUEL FILLER DOOR	1	
9	235714001	WASHER - 5/16 FLAT, ZN	3	
10	235716001	WASHER - FLATSTRL - .25 -.28 X .63 - .06 - CZ	13	
11	235721001	BOLT-1/2-13X1 1/2 GR8 ZINC PLT	4	
12	238209001	BOLT-5/16-18X1 GR8 HEX ZINC YC	1	
13	250008001	BOLT 1/4-20 X 1 1/4 ZINC PL	1	
14	257541001	SWITCH-SPDT 3 POSITION MOM	2	
15	282764001	WEATHER STRIP 75 FT PER ROLL	3	
16	296270163	ASM, STRIKEALERT	1	
17	296276018	MOUNT HELLER MANN TITON	1	
18	296300762	SCREW HFS .31 - 18 X .75 GR8 YZ	6	(278-)
19	296300848	NUT-HEXFLGTL-.25-20-G-YZ	4	
20	296300849	NUT-HEXFLGTL-.31-18-G-YZ	2	
21	296306077	CAM - LOCK 12MM	1	
22	296307438	RD/TB - .563 O.D. X .125W X 1.188	2	
23	296333869	ALARM-DUAL FUNCTION BACK-UP	1	
24	296347225	SWITCH IGNITION IP67 WITH DT06 6S	1	
25	296365763	ASM - LI-ION BATTERY CHARGER	1	
26	296379793	PLATE - REMOTE DOOR	1	
27	296412094	WELDMENT - RACK CONTROLLER SHIELD	1	
28	296443798	WELDMENT - TRANSPORT STATION	1	(278-)
29	296463349	WELDMENT-CONE MOUNT	1	(278-)
30	373005	BOLT-1/4-20X5/8 GR5 CARRIAGE	4	
31	510300006	SCREW - HCS .25 - 20 X .75 GR5 YZ	2	
32	510300024	SCREW-HCS-.25-20X2.50-GR5-YZ	6	
33	510301014	SCREW HCS .31 18 X 1.50 GR5 YZ	2	
34	631863125	CONTROLLER -MC50-110 (UNPROGRAMMED)	1	BLANK/UNPROGRAMMED
35	7000B304	DECAL - WARNING	1	Domestic
35	7000B304	DECAL - WARNING	1	International
36	7000C446	DECAL - NO WELD	1	Domestic
36	7000C446	DECAL - NO WELD	1	International
37	700IF527	DECAL-CONTROL TRACKS	1	
38	700IG199	DECAL-THROTTLE AND RACK ANGLE	1	
39	700IG329	DECAL-THREE WAY IGNITION	1	

Rear Transport Station (SN 320-376)

Fig 06-07R02

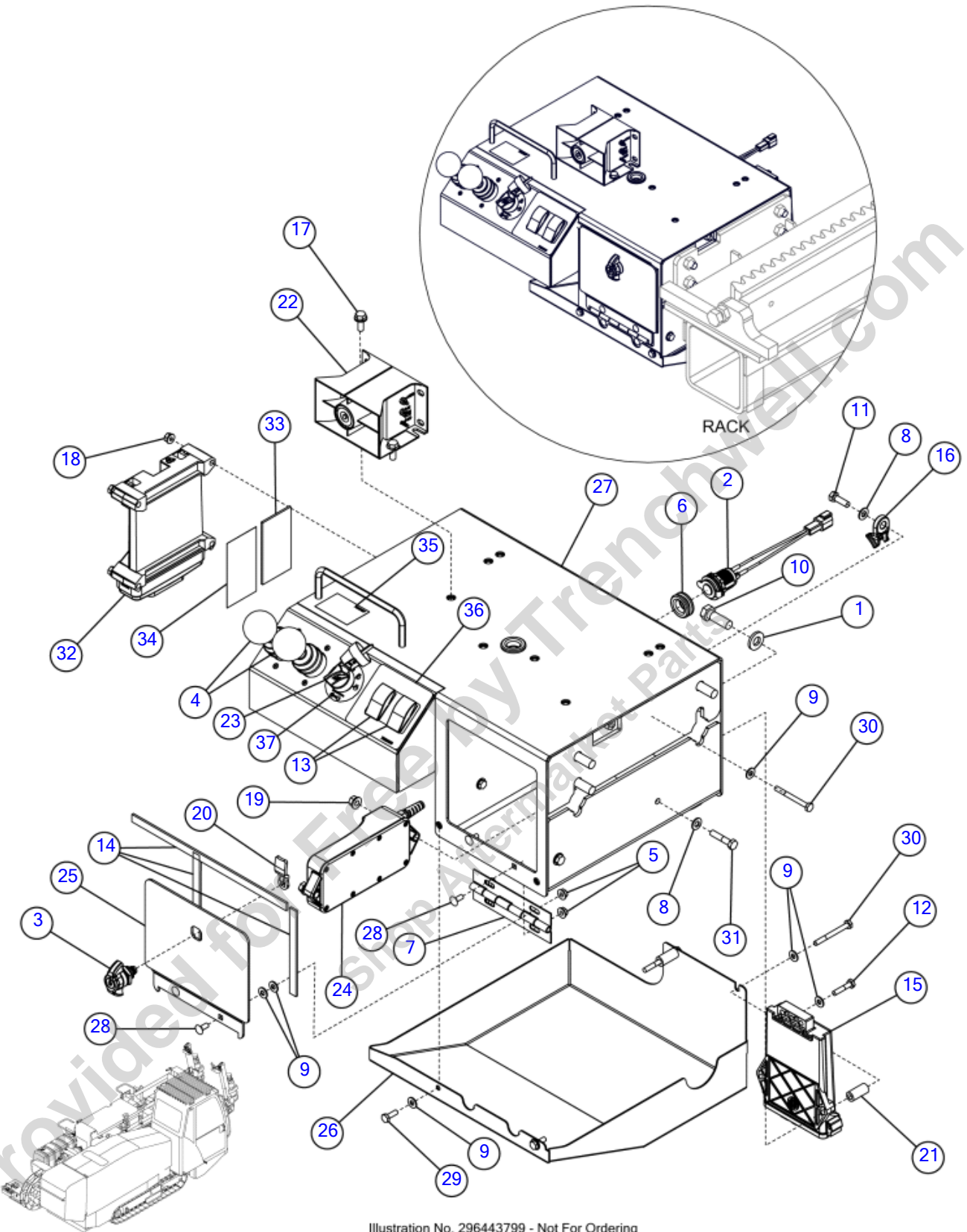


Illustration No. 296443799 - Not For Ordering

Rear Transport Station (SN 320-376)

Fig 06-07R02

REF NO.	PART NO.	DESCRIPTION	QTY.	REMARKS
1	127362001	WASHER-1/2 HARD.FLAT/PLATED	4	
2	154677001	OUTLET - 12 VOLT	1	
3	163642892	CAM-LATCH LOCKABLE WING KNOB	1	
4	296469908	ASSEMBLY - PQ M115-2071 JOYSTICK + KNOB	2	Breakdown Fig. 6-7T01
4	(180015983)	JOYSTICK-PROPORTIONAL-1 AXIS	2	Breakdown Fig. 6-7T01
5	1809005	NUT-1/4 SM FLGE T.L.	4	
6	1865043	GROMMET-.75IDX1.38OD-.19GROOVE	2	
7	212832001	HINGE-FUEL FILLER DOOR	1	
8	235714001	WASHER - 5/16 FLAT, ZN	3	
9	235716001	WASHER - FLATSTRL - .25 - .28 X .63 - .06 - CZ	13	
10	235721001	BOLT-1/2-13X1 1/2 GR8 ZINC PLT	4	
11	238209001	BOLT-5/16-18X1 GR8 HEX ZINC YC	1	
12	250008001	BOLT 1/4-20 X 1 1/4 ZINC PL	1	
13	257541001	SWITCH-SPDT 3 POSITION MOM	2	
14	282764001	WEATHER STRIP 75 FT PER ROLL	3	
15	296270163	ASM, STRIKEALERT	1	
16	296276018	MOUNT HELLER MANN TITON	1	
17	296300762	SCREW HFS .31 - 18 X .75 GR8 YZ	2	
18	296300848	NUT-HEXFLGTL-.25-20-G-YZ	4	
19	296300849	NUT-HEXFLGTL-.31-18-G-YZ	2	
20	296306077	CAM - LOCK 12MM	1	
21	296307438	RD/TB - .563 O.D. X .125W X 1.188	2	
22	296333869	ALARM-DUAL FUNCTION BACK-UP	1	
23	296347225	SWITCH IGNITION IP67 WITH DT06 6S	1	
24	296365763	ASM - LI-ION BATTERY CHARGER	1	
25	296379793	PLATE - REMOTE DOOR	1	
26	296412094	WELDMENT - RACK CONTROLLER SHIELD	1	
27	296443798	WELDMENT - TRANSPORT STATION	1	(320-)
28	373005	BOLT-1/4-20X5/8 GR5 CARRIAGE	4	
29	510300006	SCREW - HCS .25 - 20 X .75 GR5 YZ	2	
30	510300024	SCREW-HCS-.25-20X2.50-GR5-YZ	6	
31	510301014	SCREW HCS .31 18 X 1.50 GR5 YZ	2	
32	631863125	CONTROLLER -MC50-110 (UNPROGRAMMED)	1	BLANL/UNPROGRAMMED
33	7000B304	DECAL - WARNING	1	Domestic
33	700IB304	DECAL - WARNING	1	Interantional
34	7000C446	DECAL - NO WELD	1	Domestic
34	700IC446	DECAL - NO WELD	1	Interantional
35	700IF527	DECAL-CONTROL TRACKS	1	
36	700IG199	DECAL-THROTTLE AND RACK ANGLE	1	
37	700IG329	DECAL-THREE WAY IGNITION	1	

Rear Transport Station (SN 377-2018)

Fig 06-07R03

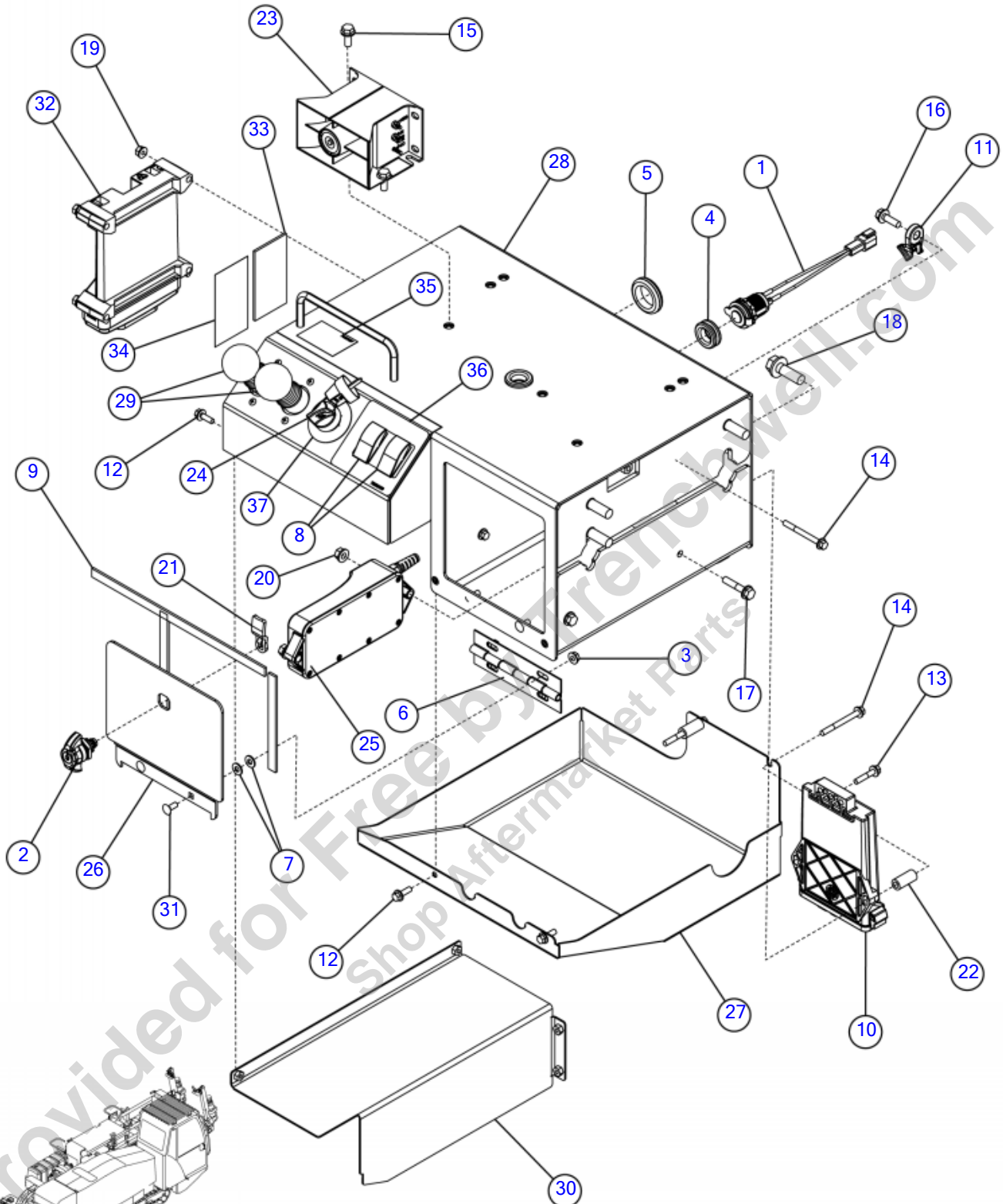


Illustration No. 296443799 - Not For Ordering

Rear Transport Station (SN 377-2018)

Fig 06-07R03

REF NO.	PART NO.	DESCRIPTION	QTY.	REMARKS
1	154677001	OUTLET - 12 VOLT	1	
2	163642892	CAM-LATCH LOCKABLE WING KNOB	1	
3	1809005	NUT-SMFLGTL-.25-20-G-CZ	4	
4	1865043	GROMMET-.75IDX1.38OD-.19GROOVE	2	
5	1865049	GROMMET-1.25IDX1.88OD-1/8GRV.	1	
6	212832001	HINGE-FUEL FILLER DOOR 6.00 X 2.00 SS	1	
7	235716001	WASHER - FLATSTRL - .25 -.28 X .63 - .06	4	
8	257541001	SWITCH-SPDT 3 POSITION MOM	2	
9	282764001	WEATHER STRIP 75 FT PER ROLL	3	
10	296270163	ASM, STRIKEALERT	1	
11	296276018	MOUNT HELLER MANN TITON	1	
12	296300753	SCREW-HFS-.25-20X.75-GR8	6	
13	296300755	SCREW HFS 0.25 20X1.25,GRI	1	
14	296300760	SCREW HFS .25 20X2.50 GRI	6	
15	296300762	SCREW HFS .31 - 18 X .75 GR8	2	
16	296300763	SCREW,HFS,.31,18X1.00,GR8	1	
17	296300765	SCREW FS .31-18X1.50 GR8	2	
18	296300790	SCREW HFS .50 13X1.50 GR8	4	
19	296300848	NUT-HEXFLGTL-.25-20-G	4	
20	296300849	NUT-HEXFLGTL-.31-18-G	2	
21	296306077	CAM - LOCK 12MM	1	
22	296307438	RD/TB - .563 O.D. X .125W X 1.188	2	
23	296333869	ALARM-DUAL FUNCTION BACK-UP	1	
24	296347225	SWITCH IGNITION IP67 WITH DT06 6S	1	
25	296365763	ASM - LI-ION BATTERY CHARGER	1	
26	296379793	PLATE - REMOTE DOOR	1	
27	296469739	WELDMENT - RACK CONTROLLER SHIELD	1	
28	296469744	WELDMENT - TRANSPORT STATION	1	
29	296469908	ASSEMBLY - PQ M115-2071 JOYSTICK + KNOB SN:000337--	2	Breakdown Fig. 6-7T01 (SN 337-)
30	296525271	WELDMENT - TRANSPORT SIDE	1	
31	373005	BOLT-1/4-20X5/8 GR5 CARRIAGE	4	
32	631863125	CONTROLLER -MC050-110 (UNPROGRAMMED)	1	
33	7000B304	DECAL - WARNING	1	Domestic
33	700IB304	DECAL - WARNING	1	International
34	7000C446	DECAL - NO WELD	1	Domestic
34	700IC446	DECAL - NO WELD	1	International
35	700IF527	DECAL-CONTROL TRACKS	1	
36	700IG199	DECAL-THROTTLE AND RACK ANGLE	1	
37	700IG329	DECAL-THREE WAY IGNITION	1	

Rear Transport Station (SN 2019-)

Fig 06-07R04

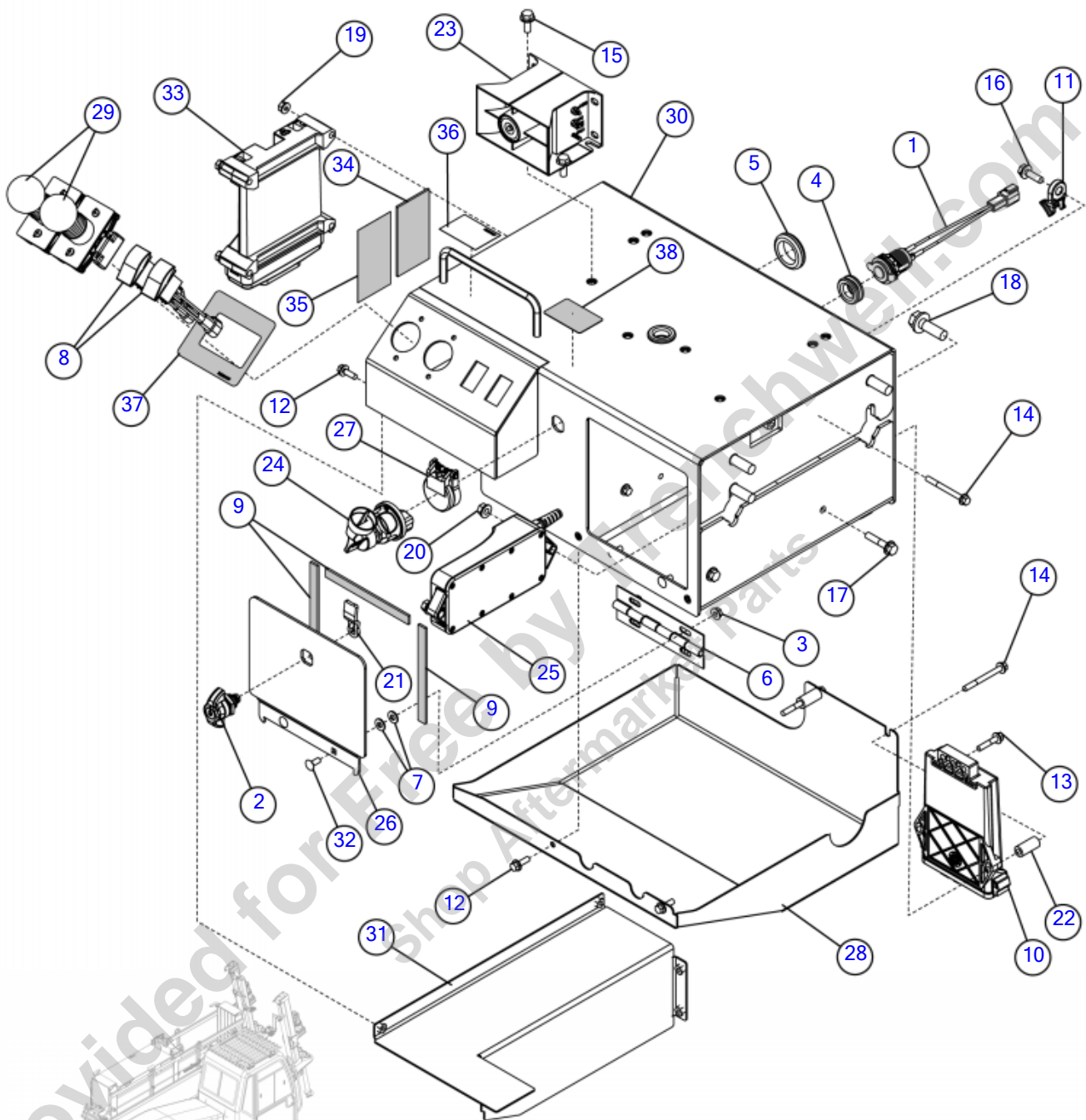


Illustration No. 296443799 - Not For Ordering

Rear Transport Station (SN 2019-)

Fig 06-07R04

REF NO.	PART NO.	DESCRIPTION	QTY.	REMARKS
1	154677001	OUTLET - 12 VOLT	1	
2	163642892	CAM-LATCH LOCKABLE WING KNOB	1	
3	1809005	NUT-SMFLGTL-.25-20-G-CZ	4	
4	1865043	GROMMET-.75IDX1.38OD-.19GROOVE	2	
5	1865049	GROMMET-1.25IDX1.88OD-1/8GRV.	1	
6	212832001	HINGE-FUEL FILLER DOOR 6.00 X 2.00 SS	1	
7	235716001	WASHER - FLATSTRL - .25 -.28 X .63 - .06	4	
8	257541001	SWITCH-SPDT 3 POSITION MOM	2	
9	282764001	WEATHER STRIP 75 FT PER ROLL	3	
10	296270163	ASM, STRIKEALERT	1	
11	296276018	MOUNT HELLER MANN TITON	1	
12	296300753	SCREW-HFS-.25-20X.75-GR8	6	
13	296300755	SCREW HFS 0.25 20X1.25,GRI	1	
14	296300760	SCREW HFS .25 20X2.50 GRI	6	
15	296300762	SCREW HFS .31 - 18 X .75 GR8	2	
16	296300763	SCREW,HFS,.31,18X1.00,GR8	1	
17	296300765	SCREW FS .31-18X1.50 GR8	2	
18	296300790	SCREW HFS .50 13X1.50 GR8	4	
19	296300848	NUT-HEXFLGTL-.25-20-G	4	
20	296300849	NUT-HEXFLGTL-.31-18-G	2	
21	296306077	CAM - LOCK 12MM	1	
22	296307438	RD/TB - .563 O.D. X .125W X 1.188	2	
23	296333869	ALARM-DUAL FUNCTION BACK-UP	1	
24	296347225	SWITCH IGNITION IP67 WITH DT06 6S	1	
25	296365763	ASM - LI-ION BATTERY CHARGER	1	
26	296379793	PLATE - REMOTE DOOR	1	
27	296459147	ASSY-IGNITION SWITCH COVER	1	
28	296469739	WELDMENT - RACK CONTROLLER SHIELD	1	
29	296469908	ASSEMBLY - PQ M115-2071 JOYSTICK + KNOB	2	Breakdown Fig. 6-7T01
30	296578711	WELDMENT - TRANSPORT STATION	1	
31	296578713	WELDMENT - TRANSPORT SIDE	1	
32	373005	BOLT-1/4-20X5/8 GR5 CARRIAGE	4	
33	631863125	CONTROLLER -MC050-110 (UNPROGRAMMED)	1	
34	7000B304	DECAL - WARNING	1	Domestic
34	700IB304	DECAL - WARNING	1	International
35	7000C446	DECAL - NO WELD	1	Domestic
35	700IC446	DECAL - NO WELD	1	International
36	700IF527	DECAL-CONTROL TRACKS	1	
37	700IG199	DECAL-THROTTLE AND RACK ANGLE	1	
38	700IH534	DECAL-IGNITION SWITCH	1	
37	700IG199	DECAL-THROTTLE AND RACK ANGLE	1	
38	700IH534	DECAL-IGNITION SWITCH	1	

Breakdown-Joystick (SN 320-376)

Fig 06-07T01

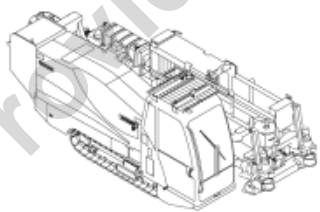
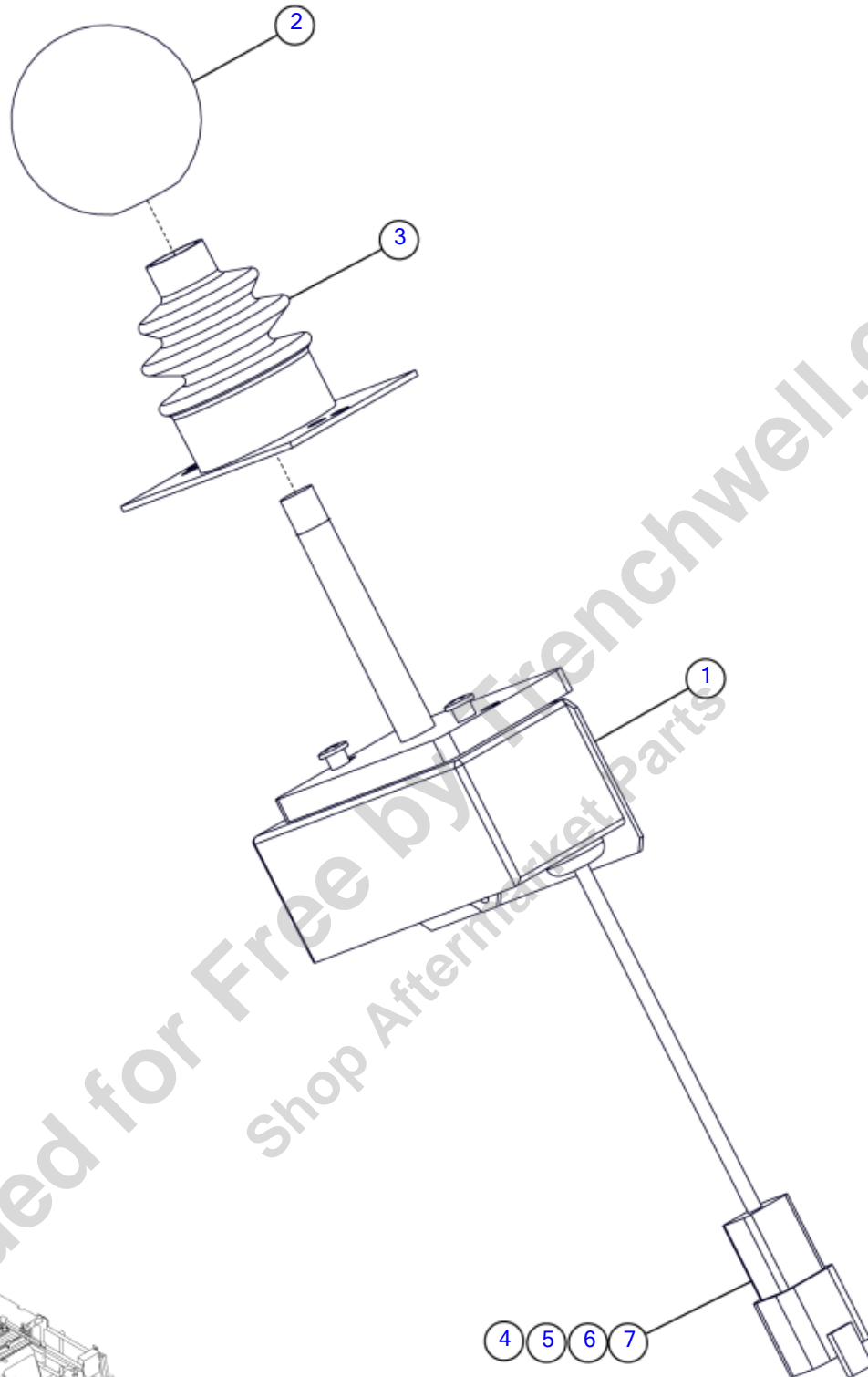


Illustration No. 180015983 - Not For Ordering

Breakdown-Joystick (SN 320-376)

Fig 06-07T01

REF NO.	PART NO.	DESCRIPTION	QTY.	REMARKS
1	296469908	ASSEMBLY - PQ M115-2071 JOYSTICK + KNOB	1	
1	(180015983)	JOYSTICK-PROPORTIONAL-1 AXIS	1	
2	180015987	KNOB-1 7/8" BALL	1	
3	180018043	BOOT-RUBBER JOYSTICK	1	
4	700000011	4 WAY RECEPTACLE - DTM SERIES	1	Not Shown-Located Inside-Items No. 4
5	700000011	4 WAY RECEPTACLE - DTM SERIES	1	Not Shown-Located Inside-Items No. 4
6	276906001	SIZE 20, SEALING PLUG	1	Not Shown-Located Inside-Items No. 4
7		CONTACTS-PIN, GOLD DEUTSCH	3	
	296469908	ASSEMBLY - PQ M115-2071 JOYSTICK + KNOB		Includes All Items In Fiugres
	(180015983)	JOYSTICK-PROPORTIONAL-1 AXIS		Includes All Items In Fiugres

Provided for Free by Trenchwell.com
Shop Aftermarket Parts

Breakdown-Joystick (SN 377-)

Fig 06-07T01R01

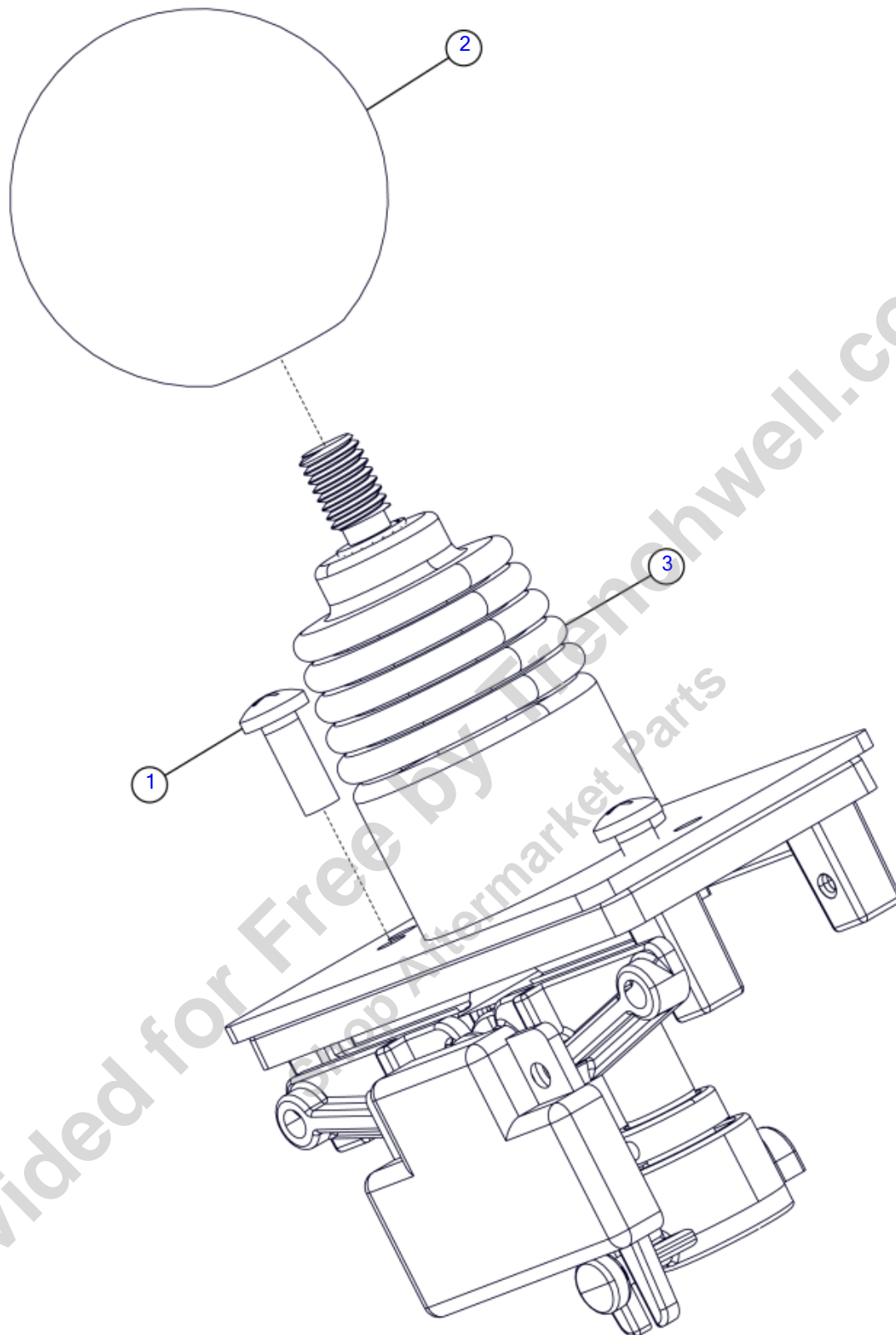


Illustration No. 296469908 - Not For Ordering

Breakdown-Joystick (SN 377-)

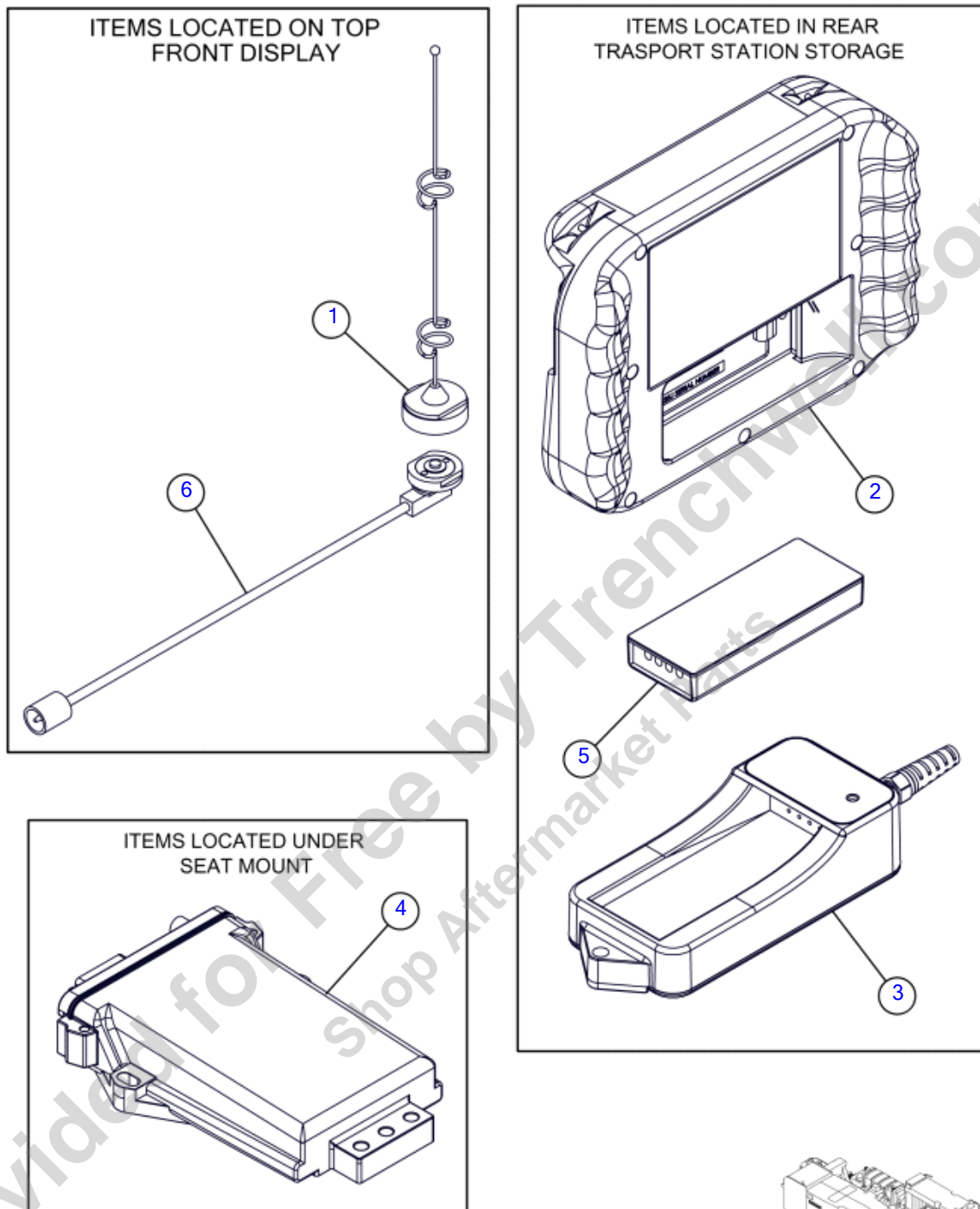
Fig 06-07T01R01

REF NO.	PART NO.	DESCRIPTION	QTY.	REMARKS
1	141364001	SCREW-10-32 X 1/2 CRPHM	2	
2	180015987	KNOB-1 7/8" BALL	1	
3	296469818	JOYSTICK - SINGLE AXIS M8 x 1.25 THREADED SHAFT	1	
	296469908	ASSEMBLY - PQ M115-2071 JOYSTICK + KNOB	1	Includes All Items In Figure (377-)

Provided for Free by Trenchwell.com
Shop Aftermarket Parts

Remote Tracking (SN 101-2203)

Fig 06-08



Remote Tracking (SN 101-2203)

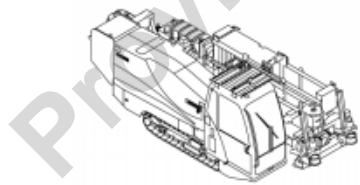
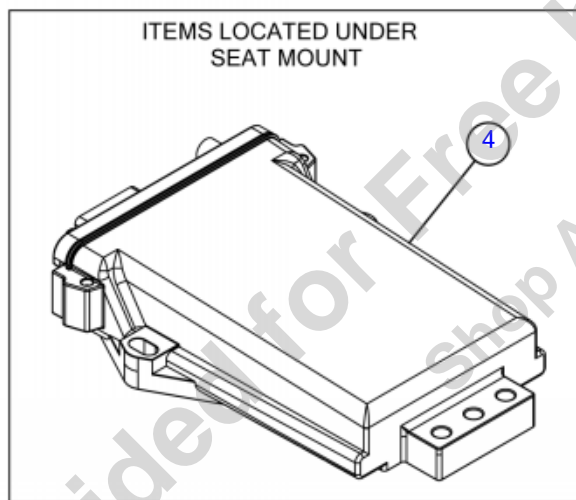
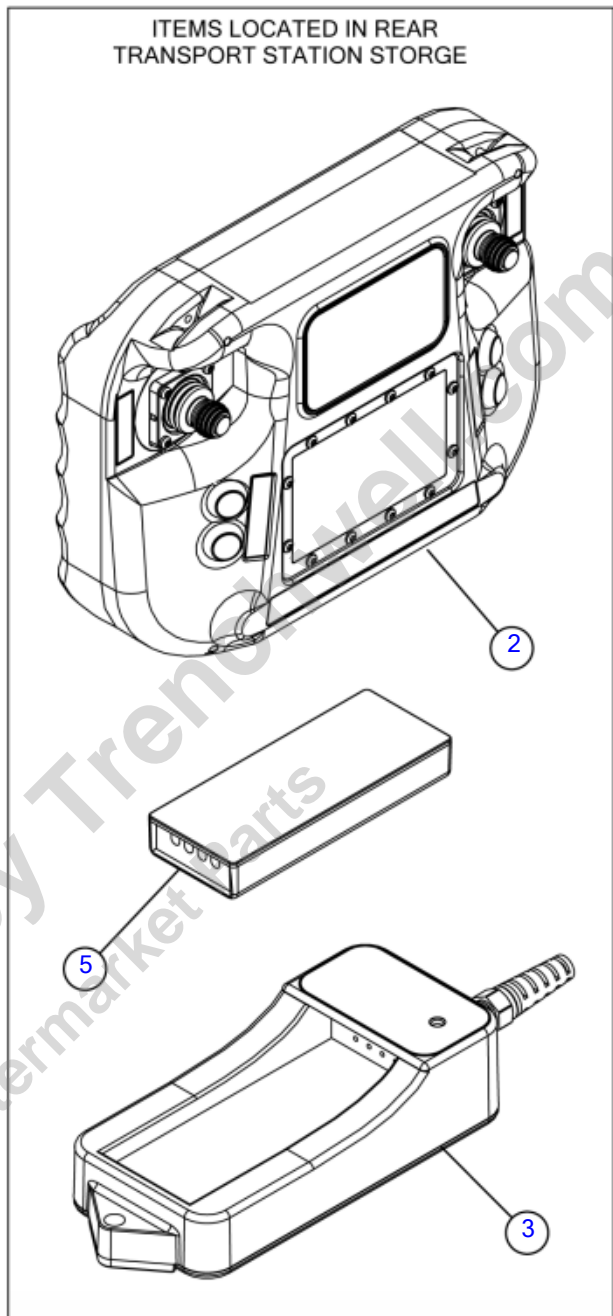
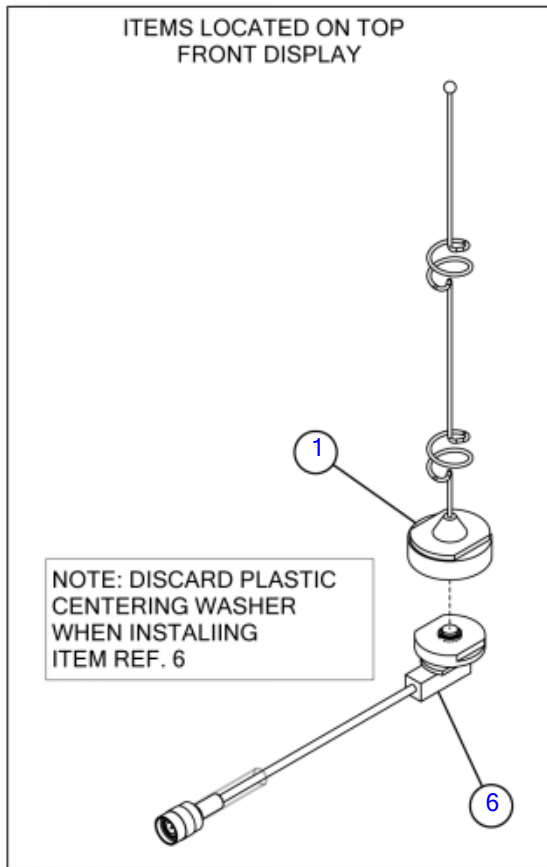
Fig 06-08

REF NO.	PART NO.	DESCRIPTION	QTY.	REMARKS
1	296272382	ANTENNA - 2400MHZ 1/4 WAVE	1	
2	296365728	ASM - R625J TRACKING REMOTE	1	
3	296365763	ASM - LI-ION BATTERY CHARGER	1	
4	296365816	ASM - UNIV BASE B425-A LP EXT ANT	1	
5	296365850	ASM - LI-ION BATTERY, 7.4V 2800MAH, SEALED	1	
6	296372598	CABLE-RMT LCK/RADIO BASE 6FT MOTOROLA TO TNC	1	

Provided for Free by Trenchwell.com
Shop Aftermarket Parts

Remote Tracking (SN 2204-)

Fig 06-08R01



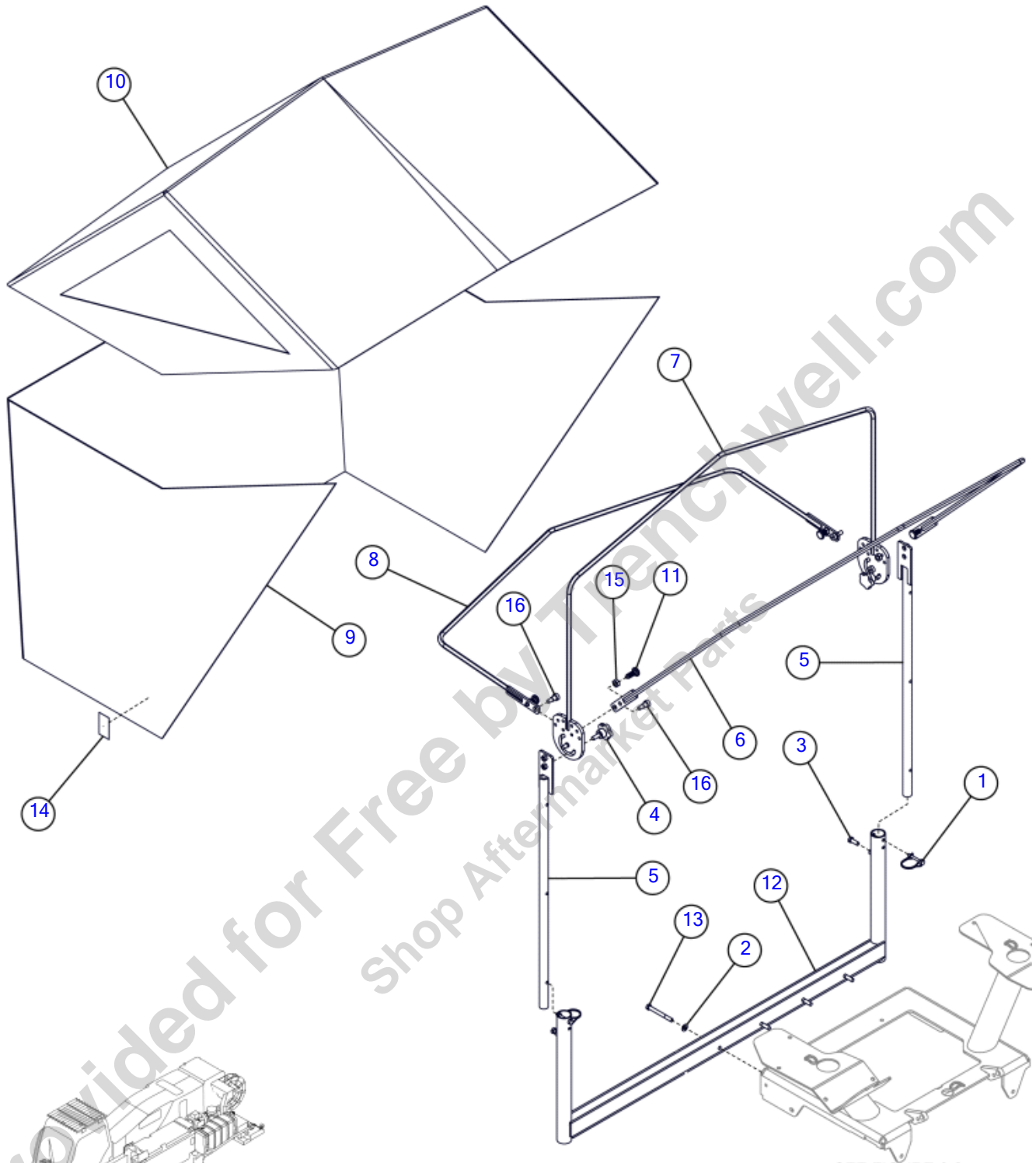
Remote Tracking (SN 2204-)

Fig 06-08R01

REF NO.	PART NO.	DESCRIPTION	QTY.	REMARKS
1	296272382	ANTENNA - 2400MHZ 1/4 WAVE	1	
2	296365728	ASM - R625J TRACKING REMOTE	1	
3	296365763	ASM - LI-ION BATTERY CHARGER	1	
4	296365816	ASM - UNIV BASE B425-A LP EXT ANT	1	
5	296365850	ASM - LI-ION BATTERY, 7.4V CANNOT AIR FREIGHT	1	
6	296447052	CABLE-RG58/U MOTOROLA ANTENNA	1	

Provided for Free by Trenchwell.com
Shop Aftermarket Parts

Soft Cab Cover
Fig 06-09



SEE FIGURE 6-2

Illustration No. 296412043 - Not For Ordering

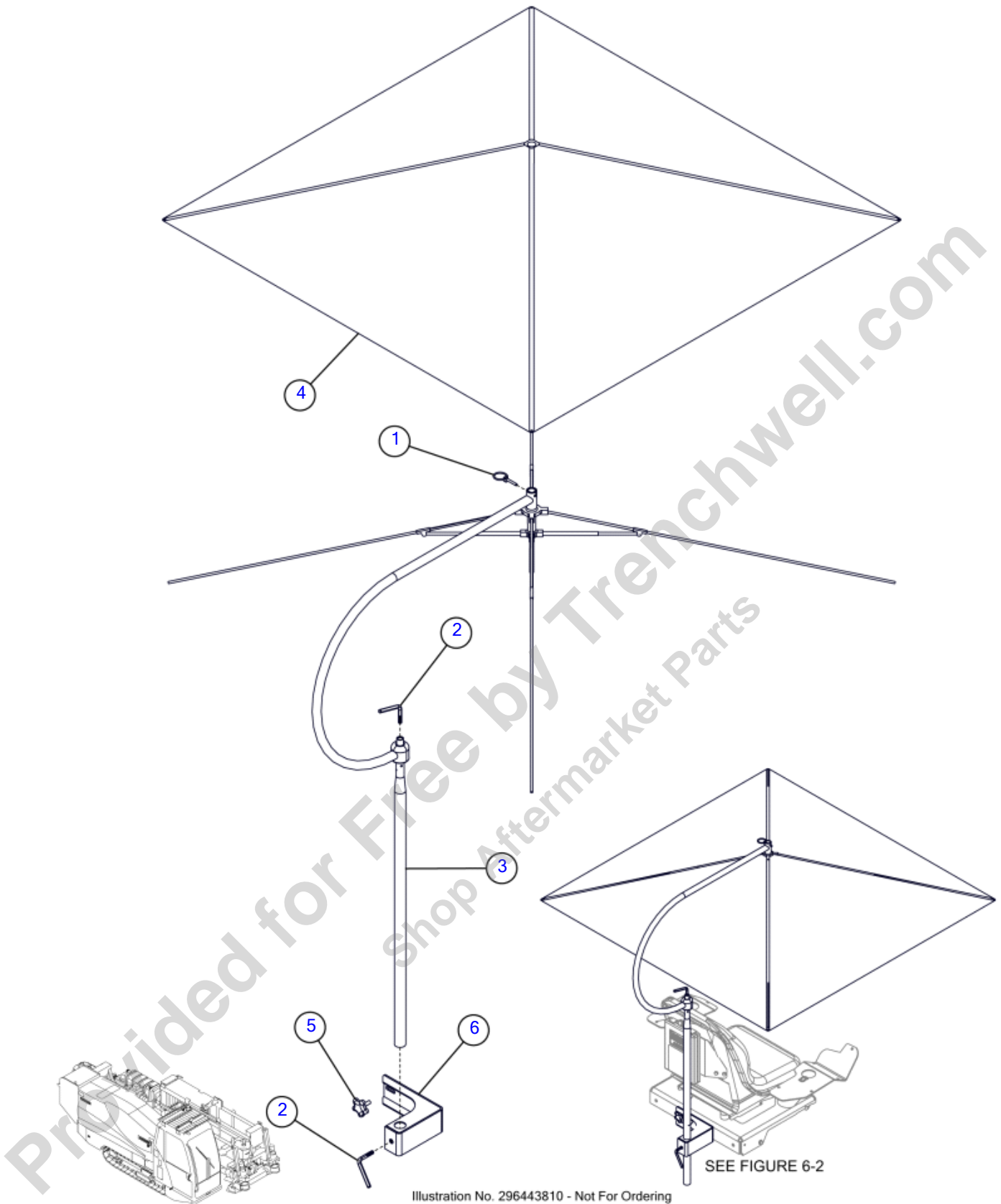
Soft Cab Cover

Fig 06-09

REF NO.	PART NO.	DESCRIPTION	QTY.	REMARKS
1	2108001	LYNCH PIN - 1/4 X 2	2	
2	235713001	WASHER - FLATSTRL - .38 - .41 X .81 - .06-YA-A325	4	
3	235727001	SCREW-HCS-.38-16X1.00-GR8-YZ	2	
4	296276742	KNOB - ADJUSTMENT	2	
5	296305515	FRAME - CANOPY LOWER WELDMENT	2	
6	296305516	WELDMENT - FRONT BAR CANOPY	1	
7	296308026	WELDMENT - CANOPY TOP CENTER	1	
8	296308066	WELDMENT - CANOPY REAR	1	
9	296308077	CANOPY - BACK	1	
10	296308078	CANOPY - TOP	1	
11	296308079	PLUNGER-SPRING	4	
12	296412044	WELDMENT - SOFT CAB BASE	1	
13	510302034	SCREW HCS .38 - 16 X 3.50 GR5 YZ	4	
14	700ID936	DECAL - WARNING - SECURE WITH LOCK PIN	1	
15	75383001	NUT-1/2-UNC GR.8 JAM HEX	4	
16	98035001	SCREW-1/2X1/2 SOCKET SHOULDER	6	

Provided for Free by Trenchwell.com
Shop Aftermarket Parts

Umbrella
Fig 06-10



Umbrella

Fig 06-10

REF NO.	PART NO.	DESCRIPTION	QTY.	REMARKS
1	1797003	PIN-QUICK LATCH 1/4"-"6M DIA ZYC	1	
2	240038001	BOLT-TIGHTENING 3/8"	2	
3	240102001	FRAME UMBRELLA	1	Breakdown Fig. 6-10T01
4	240103001	SHEATH UMBRELLA	1	
5	296412055	KNOB CLAMP 3/8 16	2	
6	296443807	WELDMENT - UMBRELLA MOUNT MEDIUM NAV SERIES 3	1	

Provided for Free by Trenchwell.com
Shop Aftermarket Parts

Breakdown-Umbrella Mast

Fig 06-10T01

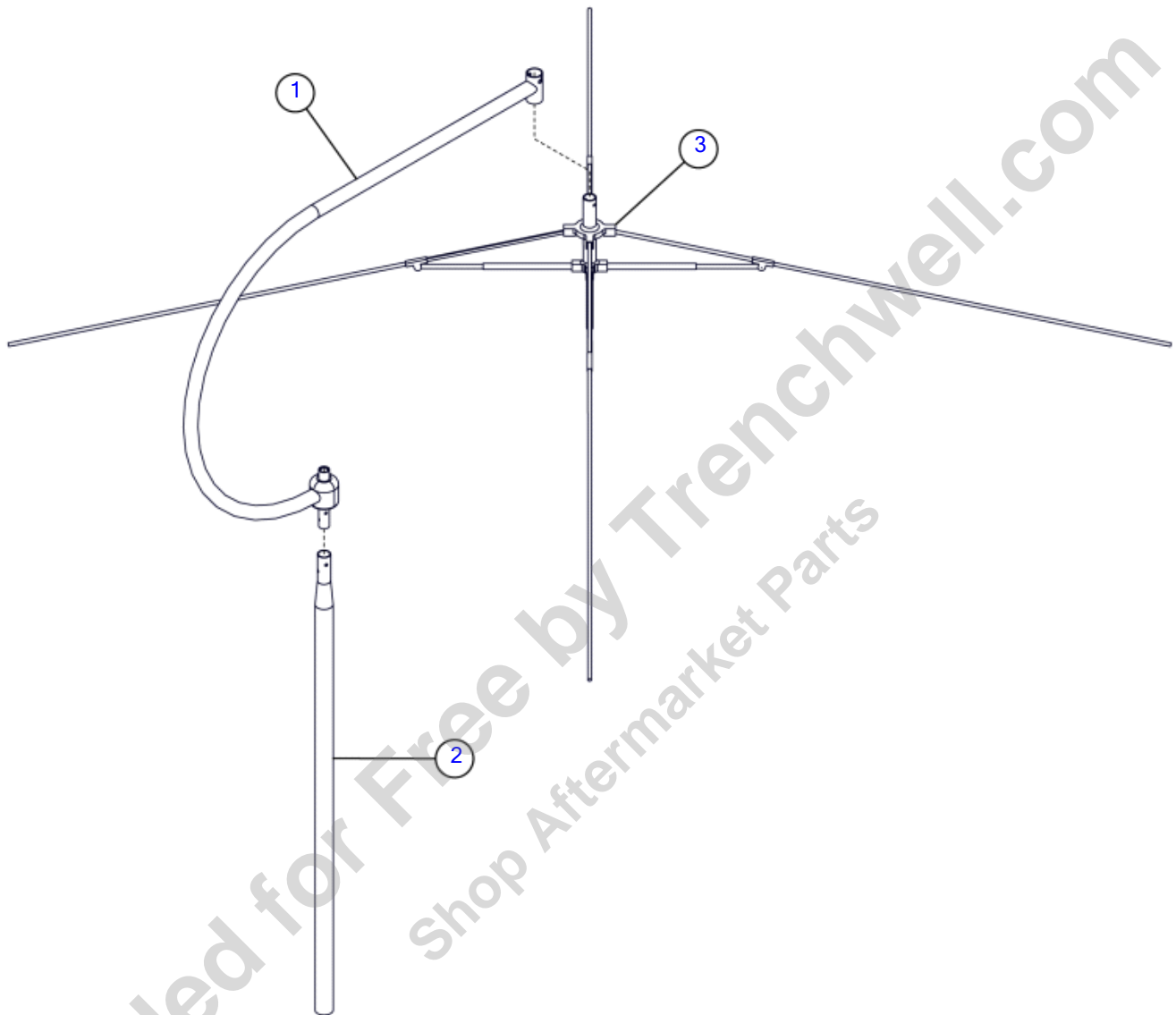


Illustration No. 240102001 - Not For Ordering

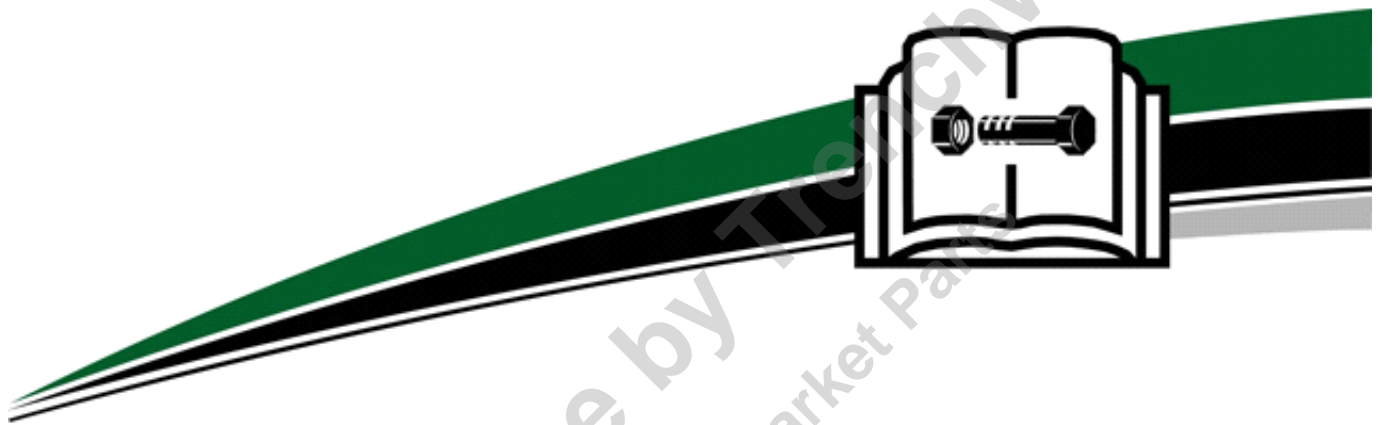
Breakdown-Umbrella Mast

Fig 06-10T01

REF NO.	PART NO.	DESCRIPTION	QTY.	REMARKS
1	238181003	CURVED SHAFT	1	Includes Hardware, Not Show
2	238181007	SUPPORT SHAFT-UMBRELLA	1	
3	296423004	ASSEMBLY - UMBRELLA	1	
	240102001	FRAME UMBRELLA	1	Includes All Items In Figure

Provided for Free by Trenchwell.com
Shop Aftermarket Parts

Cab Operator Station



Cab Operator Station

Cab Shell (SN 101-794)	Fig	07-01
Cab Shell (SN 795-)	Fig	07-01R01
Breakdown-Cab Shell	Fig	07-01T01
Cab Platform	Fig	07-02
Breakdown-Heating & Cooling Condenser	Fig	07-02T01
Cab Platform HVAC Tubes	Fig	07-03
Cab Exterior Lights (SN 101-704)	Fig	07-04
Cab Exterior Lights (SN 705-)	Fig	07-04R01
Overhead Cover	Fig	07-05
Front Top Panel Cover	Fig	07-06
Rear Louvers & Panel	Fig	07-07
Cab Power Distribution Panel	Fig	07-08
Fuse Panel	Fig	07-08X01
Dome Light Panel	Fig	07-09
Air Conditioner Evaporator	Fig	07-10
Breakdown-Heating & Cooling Evaporator	Fig	07-10T01
Seat Mount	Fig	07-11
Back Panel	Fig	07-11X01
Seat	Fig	07-12
Right Console w/ Joystick (SN 101-1091)	Fig	07-13
Breakdown-Right Joystick (SN 101-1091)	Fig	07-13T01
Right Console W/ Joystick (SN 1092-)	Fig	07-13R01
Breakdown-Right Joystick (SN 1092-)	Fig	07-13T01R01
Left Console w/ Joystick (SN 101-1091)	Fig	07-14
Breakdown-Left Joystick (SN 101-1091)	Fig	07-14T01
Left Console W/ Joystick (SN 1092-)	Fig	07-14R01
Breakdown-Joystick LH (SN 1092)	Fig	07-14T01R01
Center Console	Fig	07-15
Front Display	Fig	07-16
Remote Lockout (SN 101-839)	Fig	07-17
Remote Lockout (SN 840-)	Fig	07-17R01
Rear Transport Station (SN 101-277)	Fig	07-18
Rear Transport Station (SN 278-319)	Fig	07-18R01
Rear Transport Station (SN 320-376)	Fig	07-18R02
Breakdown-Joystick (SN 320-376)	Fig	07-18T01
Rear Transport Station (SN 377-2018)	Fig	07-18R03
Rear Transport Station (SN 2019-)	Fig	07-18R04
Breakdown-Joystick (SN 377-)	Fig	07-18T01R01
Remote Tracking	Fig	07-19
Controller	Fig	07-20

Cab Shell (SN 101-794)

Fig 07-01

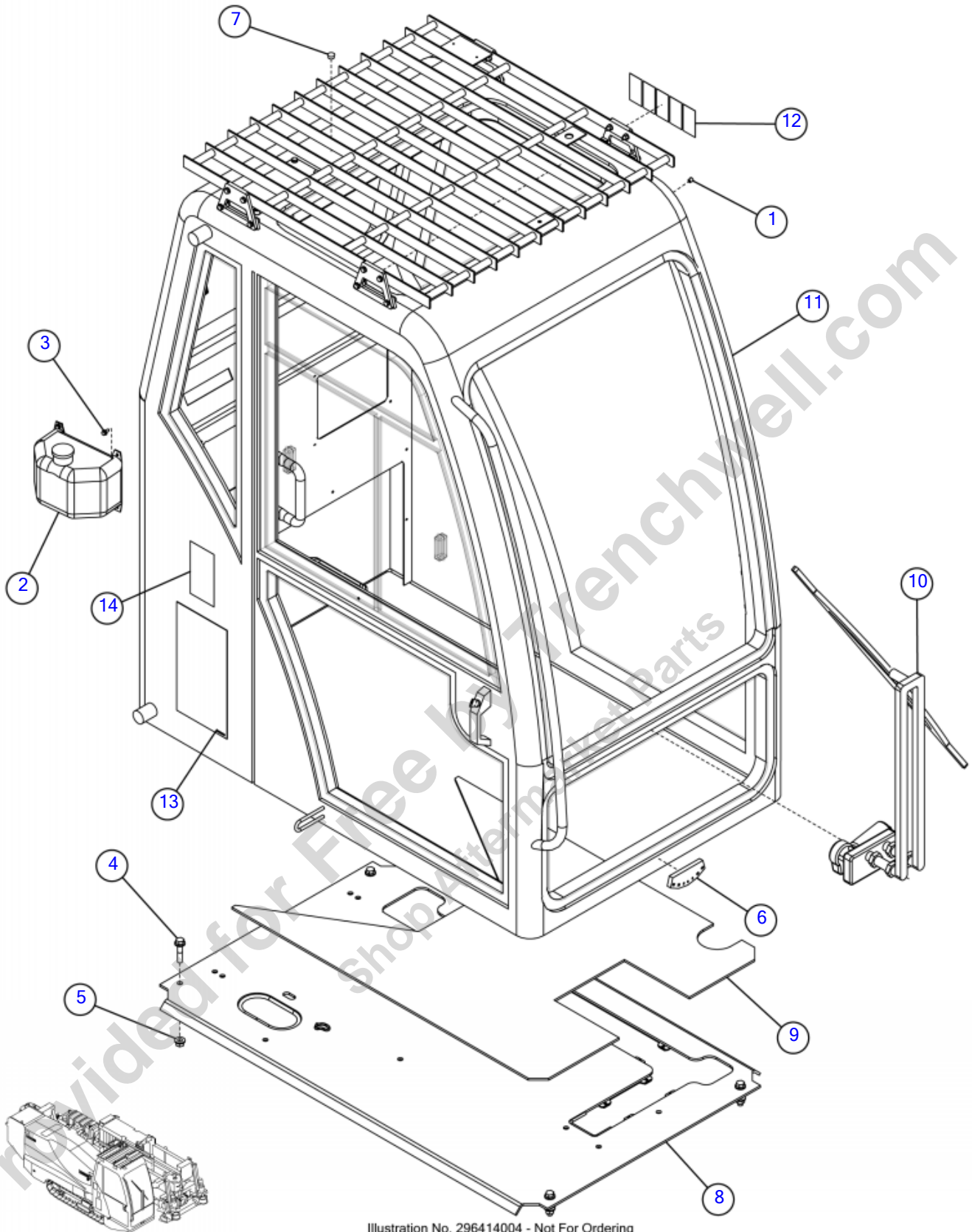


Illustration No. 296414004 - Not For Ordering

Cab Shell (SN 101-794)

Fig 07-01

REF NO.	PART NO.	DESCRIPTION	QTY.	REMARKS
1	148945001	PLUG HOLE 3/8" BLACK NYLON	1	
2	293589001	TANK - 140 OZ. WINDSHIELD WASHER	1	
3	296300751	SCREW HFS .25-20X.50 GR8-YZ	2	
4	296300793	SCREW-HFS-.50-13X2.25-GR8-YZ	4	
5	296300851	NUT-HEXFLGTL-.50-13-G-YZ	4	
6	296318035	TILT INDICATOR - 15 DEGREE	1	
7	296408755	PLUG HOLE-5/8" BLACK NYLON	1	
8	296414002	WELDMENT - CAB FLOOR	1	
9	296414039	MAT-FLOOR	1	
10	299027105	SCREEN WIPER 12V	1	
10	299049173	WIPER MOTOR	1	
10	299064260	WIPER ARM	1	
10	299064261	WIPER BLADE	1	
11	299048679M	CAB	1	Breakdown Fig. 7-1T01
12	7000B812	DECAL - WARNING	1	Domestic
12	7001B812	DECAL - WARNING	1	International
13	7000D563	DECAL - DANGER 4 PANEL	1	Domestic
13	7001D563	DECAL - DANGER, 4-PANEL	1	International
14	7000F691	DECAL-WARNING, ROLLOVER CAN CRUSH	1	Domestic
14	7001F691	DECAL-WARNING, ROLLOVER CAN CRUSH	1	International

Cab Shell (SN 795-)

Fig 07-01R01

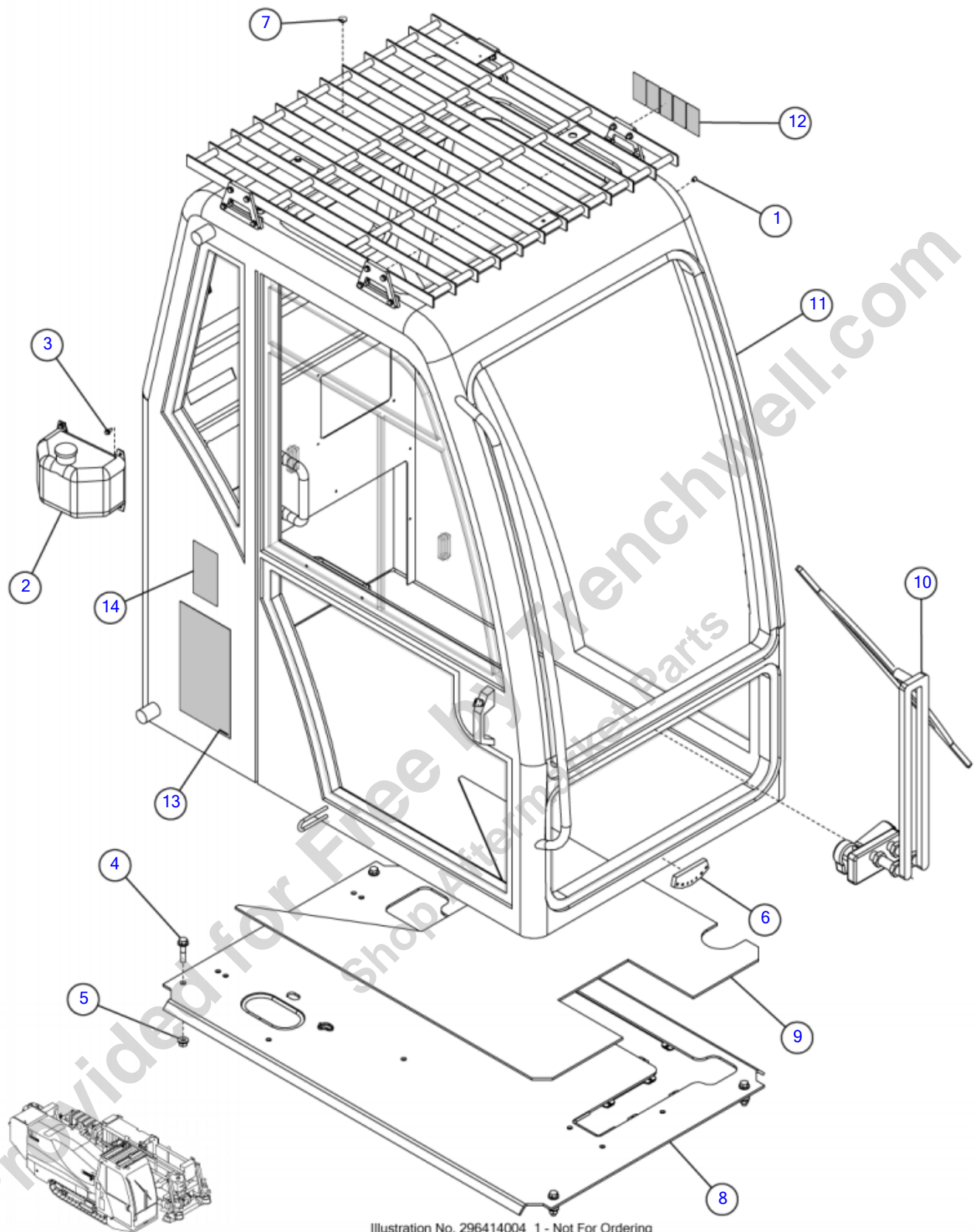


Illustration No. 296414004_1 - Not For Ordering

Cab Shell (SN 795-)

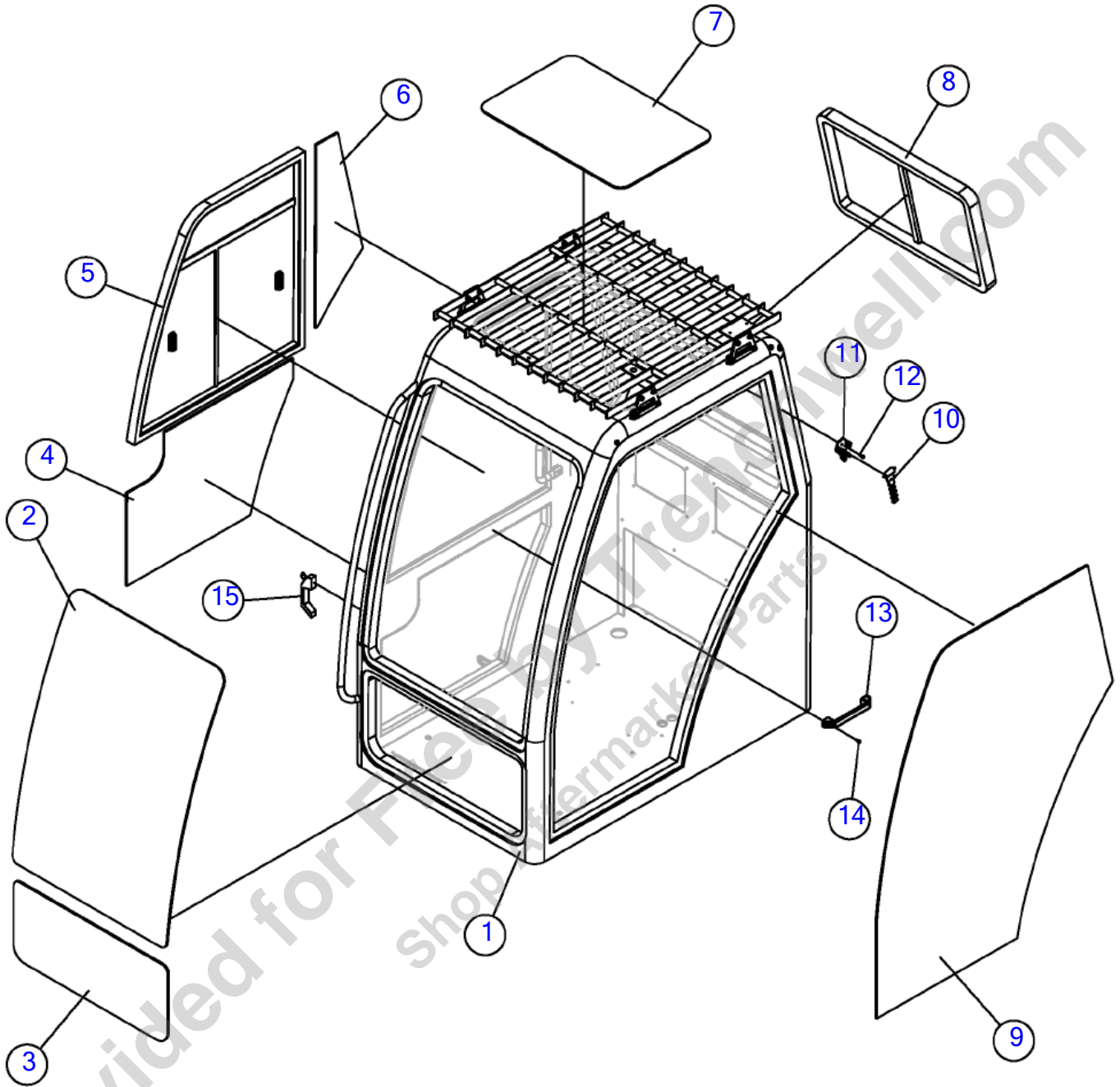
Fig 07-01R01

REF NO.	PART NO.	DESCRIPTION	QTY.	REMARKS
1	148945001	PLUG HOLE 3/8" BLACK NYLON	1	
2	293589001	TANK - 140 OZ. WINDSHIELD WASHER	1	
3	296300751	SCREW HFS .25-20X.50 GR8	2	
4	296300793	SCREW-HFS-.50-13X2.25-GR8-YZ	4	
5	296300851	NUT-HEXFLGTL-.50-13-G	4	
6	296318035	TILT INDICATOR - 15 DEGREE	1	
7	296525002	BARREL PLUG-16MM FLANGED LDPE	1	
8	296414002	WELDMENT - CAB FLOOR	1	
9	296414039	MAT-FLOOR	1	
10	299027105	SCREEN WIPER 12V	1	
11	299048679M	CAB	1	Breakdown Fig 7-1T01
12	7000B812	DECAL - WARNING	1	Domestic
12	7001B812	DECAL - WARNING	1	International
13	7000D563	DECAL - DANGER 4 PANEL	1	Domestic
13	7000I563	DECAL-WARNING (UND)	1	International
14	7000F691	DECAL-WARNING, ROLLOVER CAN CRUSH	1	Domestic
14	7001F691	DECAL-WARNING, ROLLOVER CAN CRUSH	1	International

Provided for Free by Trenchworks.com
Shop Aftermarket Parts

Breakdown-Cab Shell

Fig 07-01T01



Breakdown-Cab Shell

Fig 07-01T01

REF NO.	PART NO.	DESCRIPTION	QTY.	REMARKS
1	299047510M	CAB FRAME	1	
2	299048678	FRONT WINDOW	1	
2	(299048678M)	GLASS-FRONT	1	
3	299048676	BOTTOM FRONT WINDOW	1	
4	299048674	RIGHT LOWER WINDOW	1	
5	299049456	SIDE WINDOW-MOVEABLE	1	
6	299048675	RIGHT REAR WINDOW	1	
7	299040606M	TOP GLASS	1	
8	299049457	REAR WINDOW-MOVEABLE	1	
9	299048677	LEFT WINDOW	1	
10	299040802M	GLASS HAMMER	1	
11	299040801M	GLASS HAMMER CARRIER	1	
12	299012609	SCREW GB/T818 M5X16 H	3	
13	299047525M	BAR-CAB DOOR	1	
14	299012620	SCREW GB/T818 M6X12 H	2	
15	299027106	LOCK	1	Keys Included
15	299040601	KEY - CAB	1	
	299048679M	CAB	1	Includes All Items Listed Above

Provided for Free by Trenchwell.com
Shop Aftermarket Parts

Cab Platform
Fig 07-02

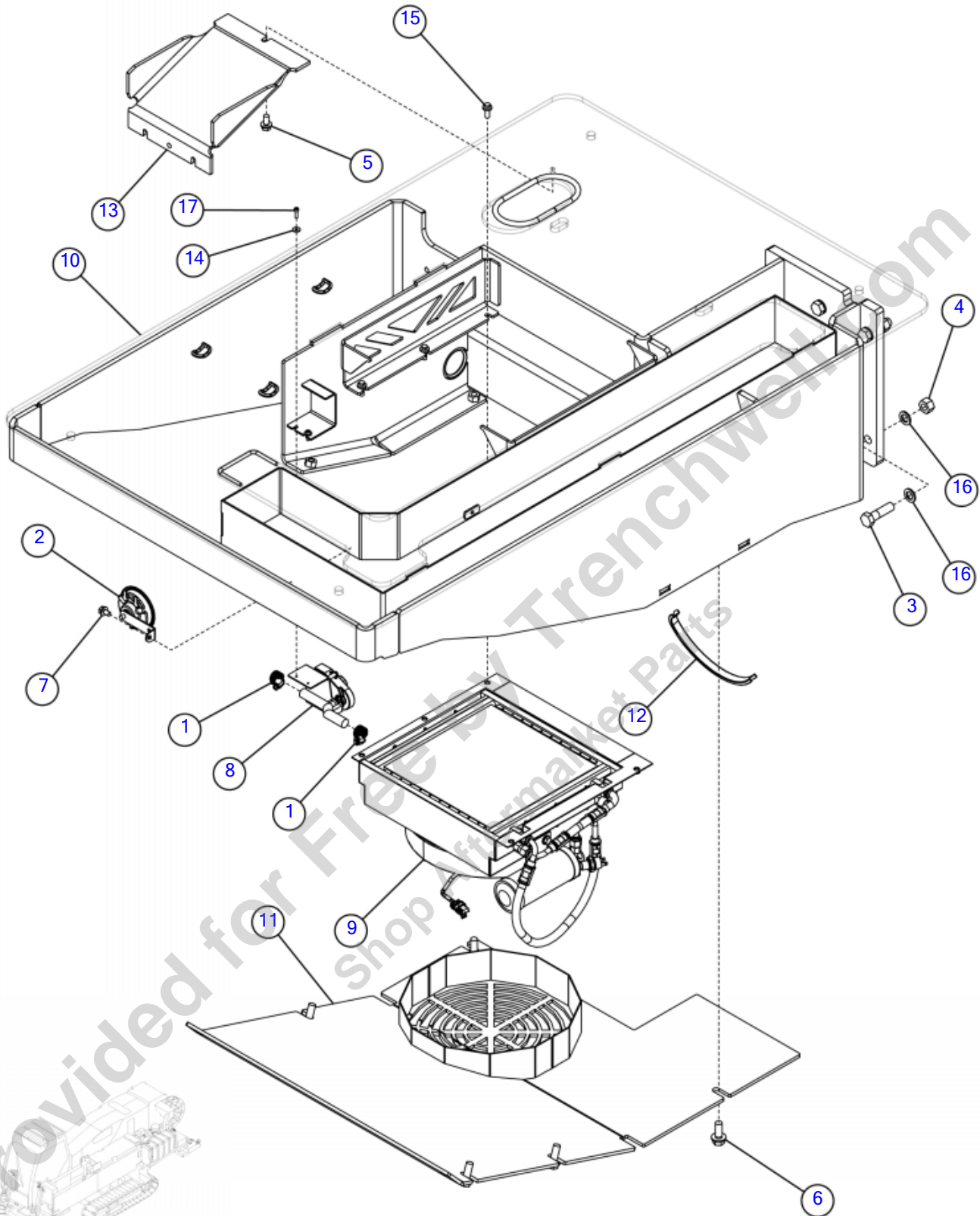


Illustration No. 296403954 - Not For Ordering

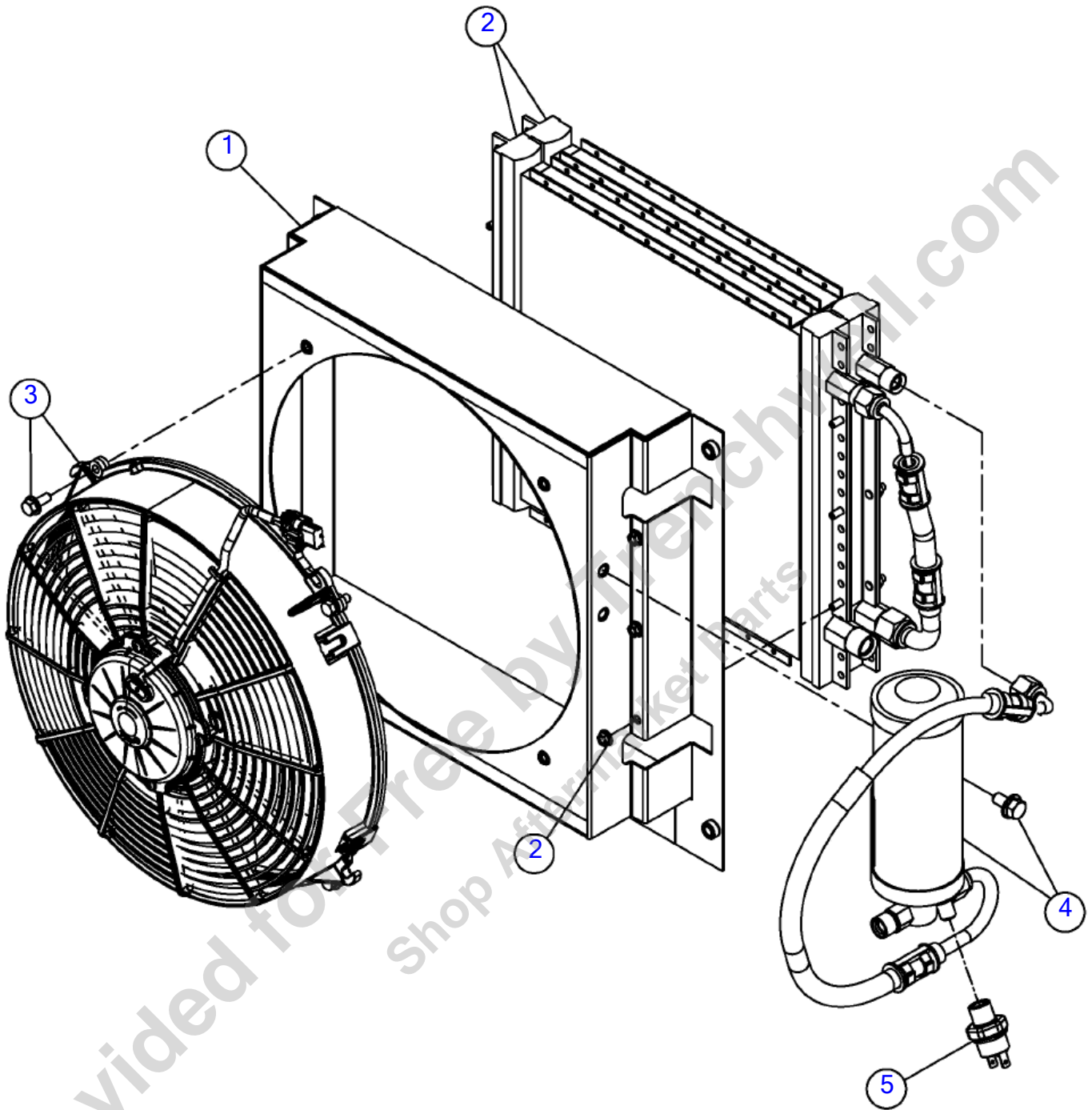
Cab Platform

Fig 07-02

REF NO.	PART NO.	DESCRIPTION	QTY.	REMARKS
1	1580003	HOSE CLAMP - 3/4"	2	
2	163632802	HORN - 12V LOW NOTE	1	
3	238245001	BOLT 5/8" - 11 X 2 1/4 Gr 8 HEX-YZ	6	
4	250513001	NUT - 5/8NC Gr8 TOP LOCK Y/ZINC	6	
5	296300771	SCREW-HFS-.38-16X.75GR8-YZ	3	
6	296300789	SCREW-HFS-.50-13X1.25-GR8-YZ	5	
7	296300859	SCREW HFS .31 - 18 X .50 GR8 YZ	1	
8	296310485	VALVE - AC WATER SHUTOFF	1	
9	296339451	CONDENSOR-AC HEATING/COOLING 12V	1	Breakdown Fig. 7-2T01
10	296403920	WELDMENT - CAB SUPPORT	1	
11	296412229	WELDMENT - CONDENSOR SHIELD	1	
12	296424720	STRIP-SEAL - EDGE 1/2" STYLE	1	
13	296432141	PLATE - COVER	1	
14	485001	WASHER-FLATSTD-.19 -.22 X.56 -.05 - CZ	2	
15	507611020	SCREW-HFS,M8-1.25X20,10.9,YZ,D6921,FT	5	
16	630194001	WASHER-FLAT HARD-.641X1.062X.105-YZ	12	
17	78518011	SCREW- #10-32X5/8"SOCK HD CAP	2	
	296432228	HOSE-WATER-.63X214-NONE/NONE-60PSI	1	Not Shown, Cab Heater Hose
	296432229	HOSE-WATER-.63X129-NONE-NONE-60 PSI	1	Not Shown, Cab Heater Hose
	296432230	HOSE-WATER-.63X48.5-NONE/NONE-60 PSI	1	Not Shown, Cab Heater Hose

Breakdown-Heating & Cooling Condenser

Fig 07-02T01



Breakdown-Heating & Cooling Condenser

Fig 07-02T01

REF NO.	PART NO.	DESCRIPTION	QTY.	REMARKS
1	296367546	HOUSING	1	
2	296367547	CONDENSER	2	
3	296367548	FAN	1	
4	233272011	RECEIVER/DRYER	1	
5	293574001	SWITCH LOW/HIGH PRESSURE	1	
5	(296325475)	SWITCH - PRESSURE - BINARY	1	
	296339451	CONDENSOR-AC HEATING/COOLING 12V	1	Includes All Items Listed Above

Provided for Free by Trenchwell.com
Shop Aftermarket Parts

Cab Platform HVAC Tubes

Fig 07-03

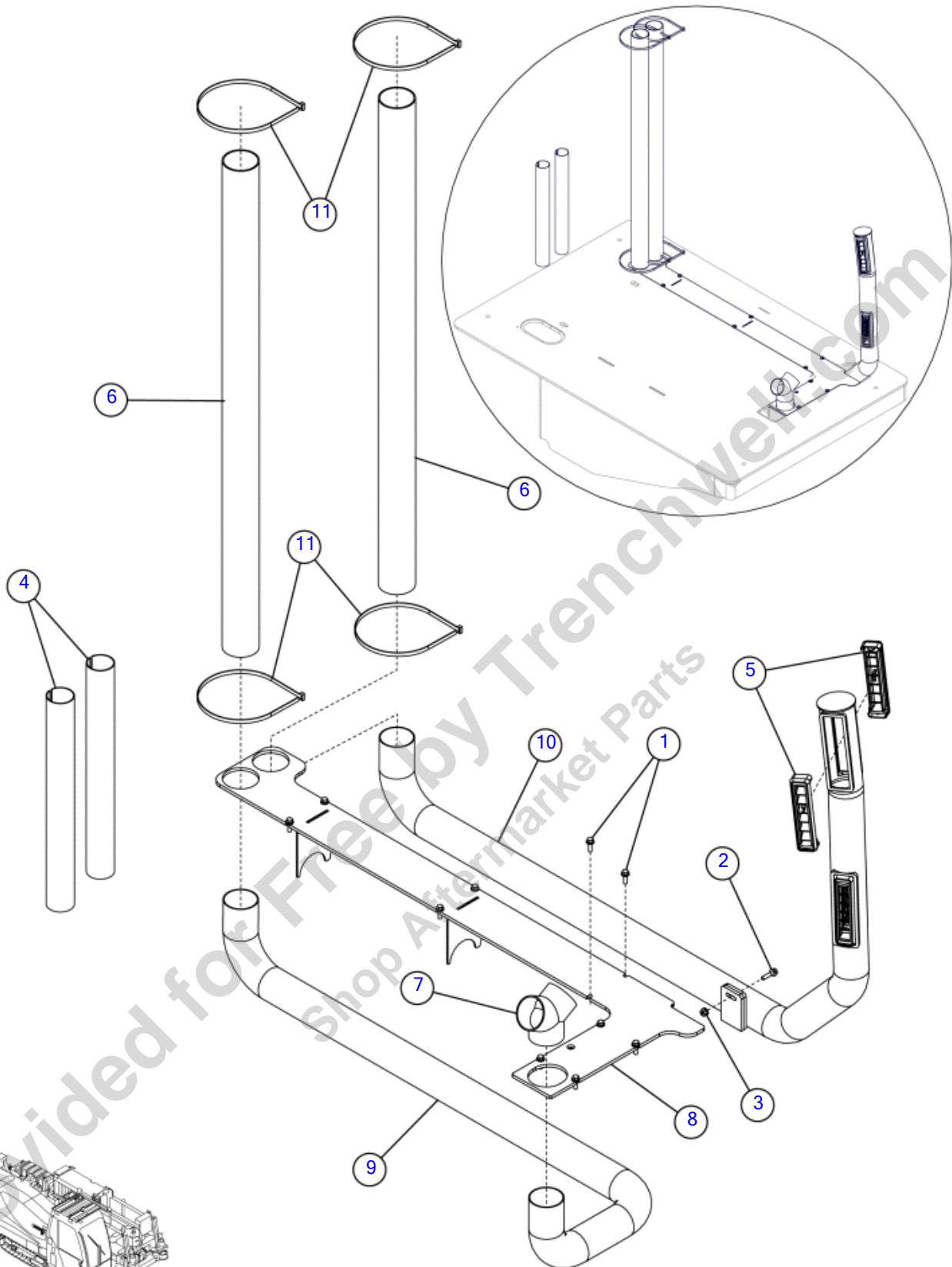


Illustration No. 296414005 - Not For Ordering

Cab Platform HVAC Tubes

Fig 07-03

REF NO.	PART NO.	DESCRIPTION	QTY.	REMARKS
1	296300753	SCREW-HFS-.25-20X.75-GR8-YZ	10	
2	296300754	SCREW HFS .25 20X1.00 GR8 YZ	1	
3	296300848	NUT-HEXFLGTL-.25-20-G-YZ	1	
4	296303341	HOSE-HEAT WRAP 2.0 X 18.0	2	
5	296310411	LOUVER - AC MOVEABLE	4	
6	296315172	HOSE-AIRCONDITIONING, RT. FRONT	2	
7	296369289	CONNECTOR-2 INCH Y	1	
8	296414006	WELDMENT - HVAC COVER	1	
9	296414007	HVAC TUBE WELDMENT	1	
10	296414008	WELD - DEFROST TUBE	1	
11	58151001	STRAP-CABLE TIE-T120R-0 15"	4	
12	296443787	HOSE KIT- A/C MEDIUM NAVIGATORS	1	Not Shown

Provided for Free by Trenchwell.com
Shop Aftermarket Parts

Cab Exterior Lights (SN 101-704)

Fig 07-04

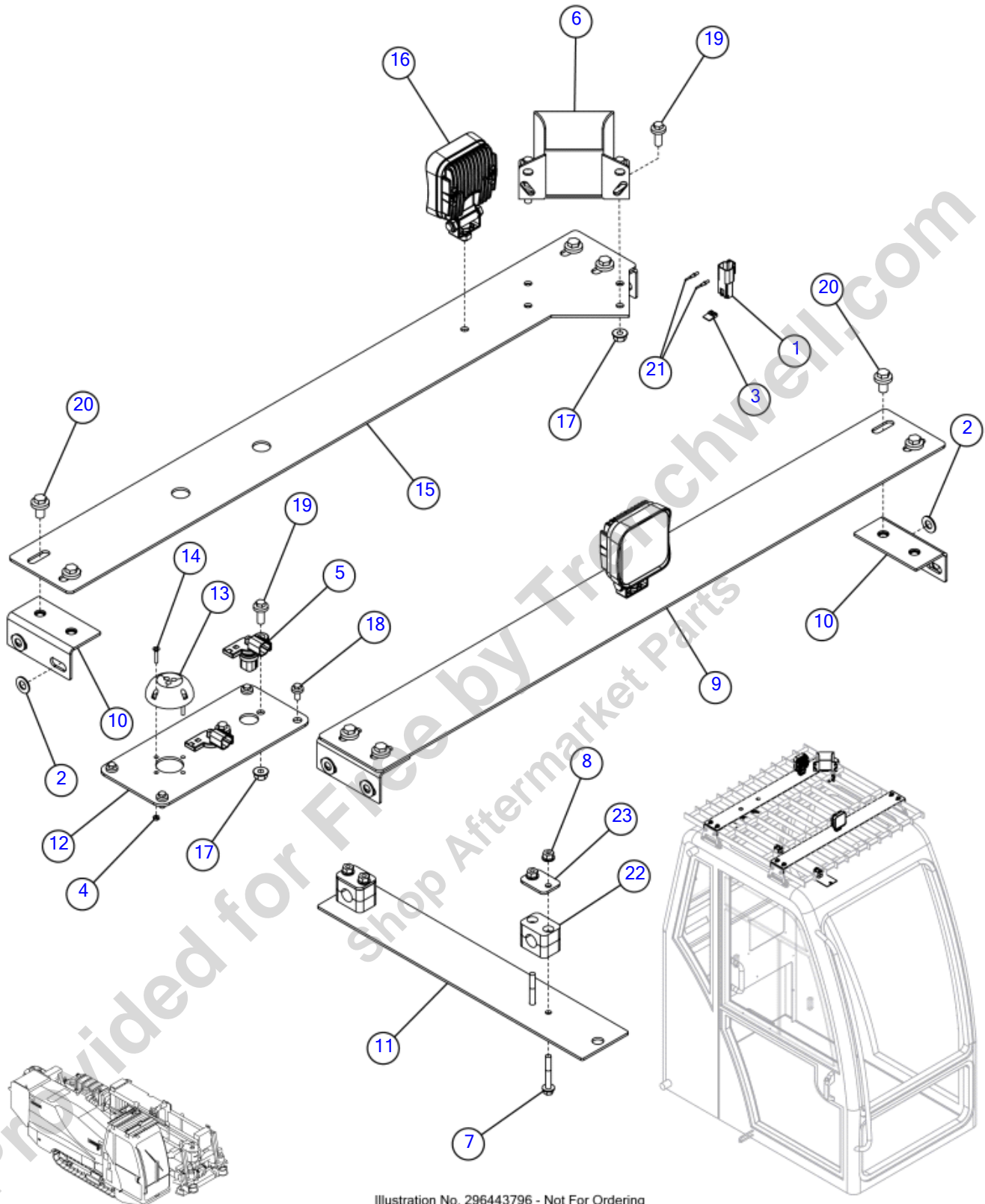


Illustration No. 296443796 - Not For Ordering

Cab Exterior Lights (SN 101-704)

Fig 07-04

REF NO.	PART NO.	DESCRIPTION	QTY.	REMARKS
1	125286001	RECEPTACLE-DEUTSCH 2 PIN	1	
2	235713001	WASHER - FLATSTRL - .38 - .41 X .81 - .06-YA-A325	8	
3	276870001	WEDGE - 2 PIN RECEPTACLE	1	
4	296268733	NUT - HEXMS-6-32-GR2-CZ-.25	4	
5	296290581	BULKHEAD ELECTRICAL DEUTSCH	2	
6	296290621	HORN - FORWARD	1	
7	296300757	SCREW HFS .25 20X1.75 GR8 YZ	4	
8	296300848	NUT-HEXFLGTL-.25-20-G-YZ	4	
9	296339405	PLATE - LIGHTS MOUNT	1	
10	296369535	WELDMENT - LIGHT MOUNT	4	
11	296385093	PLATE - ANTENNA MOUNT	1	
12	296385098	PLATE - CAB SEAL	1	
13	296385104	DECK SEAL-3 CABLE SCANSTRUT DS-30	1	
14	296385108	SCREW-FHCS #6-32X.75	4	
15	296394837	PLATE - LIGHTS MOUNT	1	
16	296447118	LIGHT-5X3 LED WORK 12V-24V-FLOOD	2	
17	507085008	NUT-HEXFLNG LOCK,M8-1.25,10.9,YZ,D6927	6	
17	(506986008)	NUT-HEXFLNG,M8-1.25,CL10,YZ,ISO4161	6	
18	507610012	SCREW-HFS,M6-1.00X12,10.9,YZ,D6921,FT	4	
19	507611020	SCREW-HFS,M8-1.25X20,10.9,YZ,D6921,FT	6	
20	507612016	SCREW-HFS,M10-1.50X16,10.9,YZ,ANSI,B18.2.3.9M,FT	8	
21	87696001	CONTACT PIN - SIZE 16, SOLID	2	
22	903135003	CLAMP HOSE HALF 20675-PP(TAKES 2 PER 1)	2	
23	903135005	PLATE COVER COP 2	2	

Cab Exterior Lights (SN 705-)

Fig 07-04R01

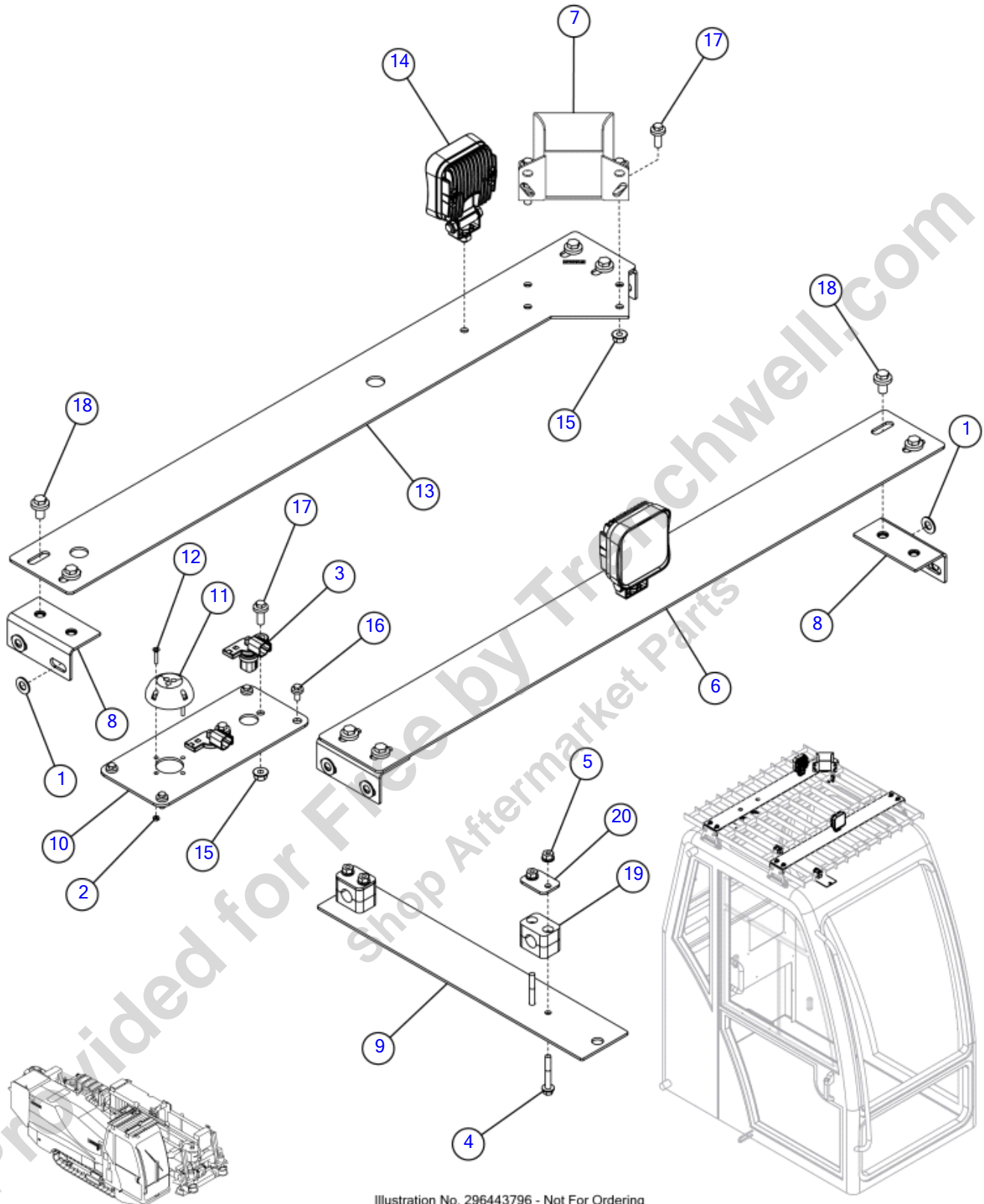


Illustration No. 296443796 - Not For Ordering

Cab Exterior Lights (SN 705-)

Fig 07-04R01

REF NO.	PART NO.	DESCRIPTION	QTY.	REMARKS
1	235713001	WASHER - FLATSTRL - .38 - .41 X .81 - .06-YA-A325	8	
2	296268733	NUT - HEXMS-6-32-GR2-CZ-.25	4	
3	296290581	BULKHEAD ELECTRICAL DEUTSCH	2	
4	296300757	SCREW HFS .25 20X1.75 GR8 YZ	4	
5	296300848	NUT-HEXFLGTL-.25-20-G-YZ	4	
6	296339405	PLATE - LIGHTS MOUNT	1	
7	296365660	ASM - HORN FORWARD	1	
8	296369535	WELDMENT - LIGHT MOUNT	4	
9	296385093	PLATE - ANTENNA MOUNT	1	
10	296385098	PLATE - CAB SEAL	1	
11	296385104	DECK SEAL-3 CABLE SCANSTRUT DS-30	1	
12	296385108	SCREW-FHCS #6-32X.75	4	
13	296394837	PLATE - LIGHTS MOUNT	1	
14	296447118	LIGHT-5X3 LED WORK 12V-24V-FLOOD	2	
15	507085008	NUT-HEXFLNG LOCK,M8-1.25,10.9,YZ,D6927	6	
15	(506986008)	NUT-HEXFLNG,M8-1.25,CL10,YZ,ISO4161	6	
16	507610012	SCREW-HFS,M6-1.00X12,10.9,YZ,D6921,FT	4	
17	507611020	SCREW-HFS,M8-1.25X20,10.9,YZ,D6921,FT	6	
18	507612016	SCREW-HFS,M10-1.50X16,10.9,YZ,ANSI,B18.2.3.9M,FT	8	
19	903135003	CLAMP HOSE HALF 20675-PP(TAKES 2 PER 1)	2	
20	903135005	PLATE - COVER COP 2	2	

Overhead Cover

Fig 07-05

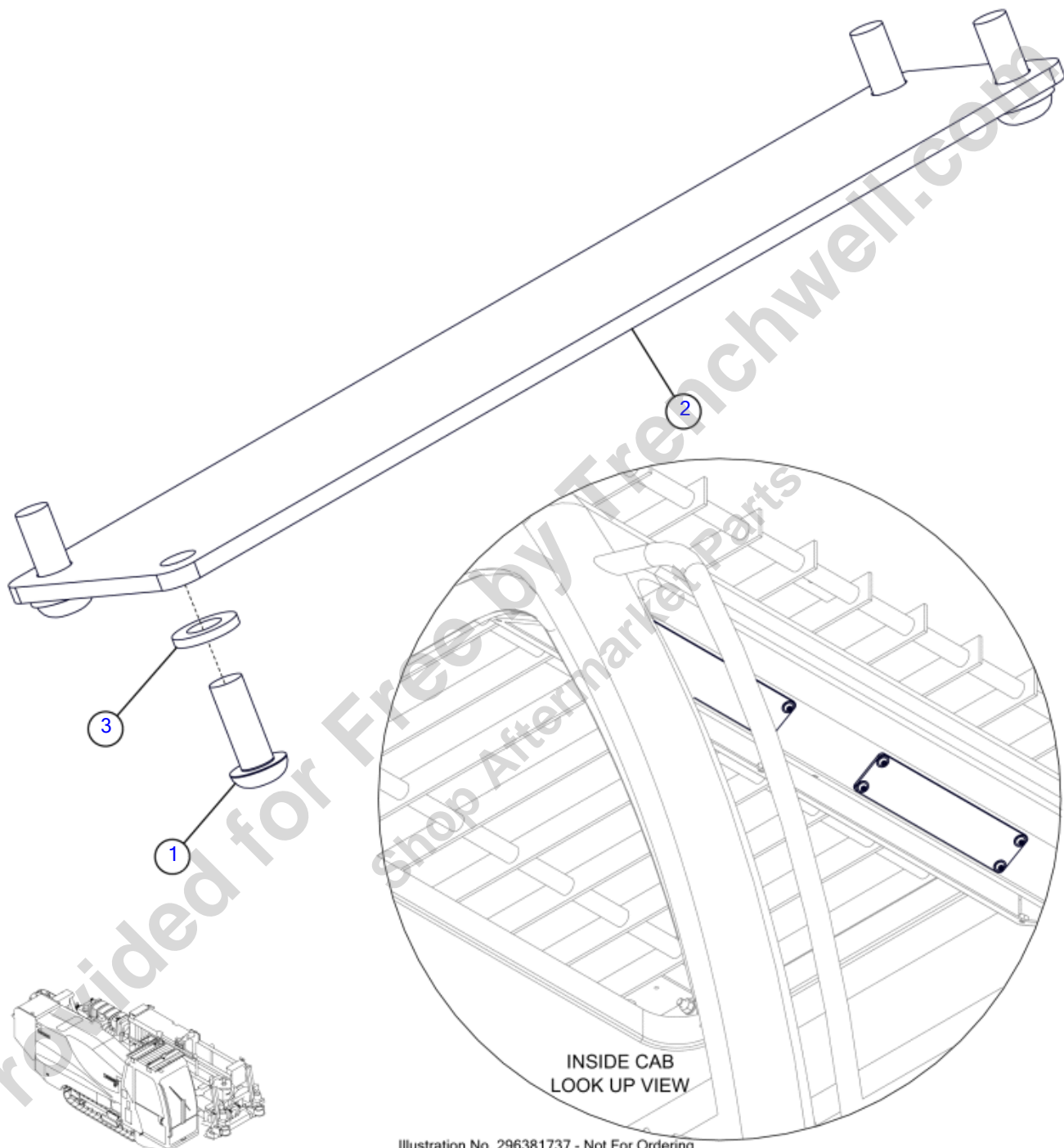


Illustration No. 296381737 - Not For Ordering

Overhead Cover

Fig 07-05

REF NO.	PART NO.	DESCRIPTION	QTY.	REMARKS
1	296398269	SCREW-SBHCS-M6-1.00X16-10.9-CZ	4	
2	299047511	PLATE - CAB COVER	1	
3	506046006	WASHER-FLAT,M6,YZ,D,125A	4	

Provided for Free by Trenchwell.com
Shop Aftermarket Parts

Front Top Panel Cover

Fig 07-06

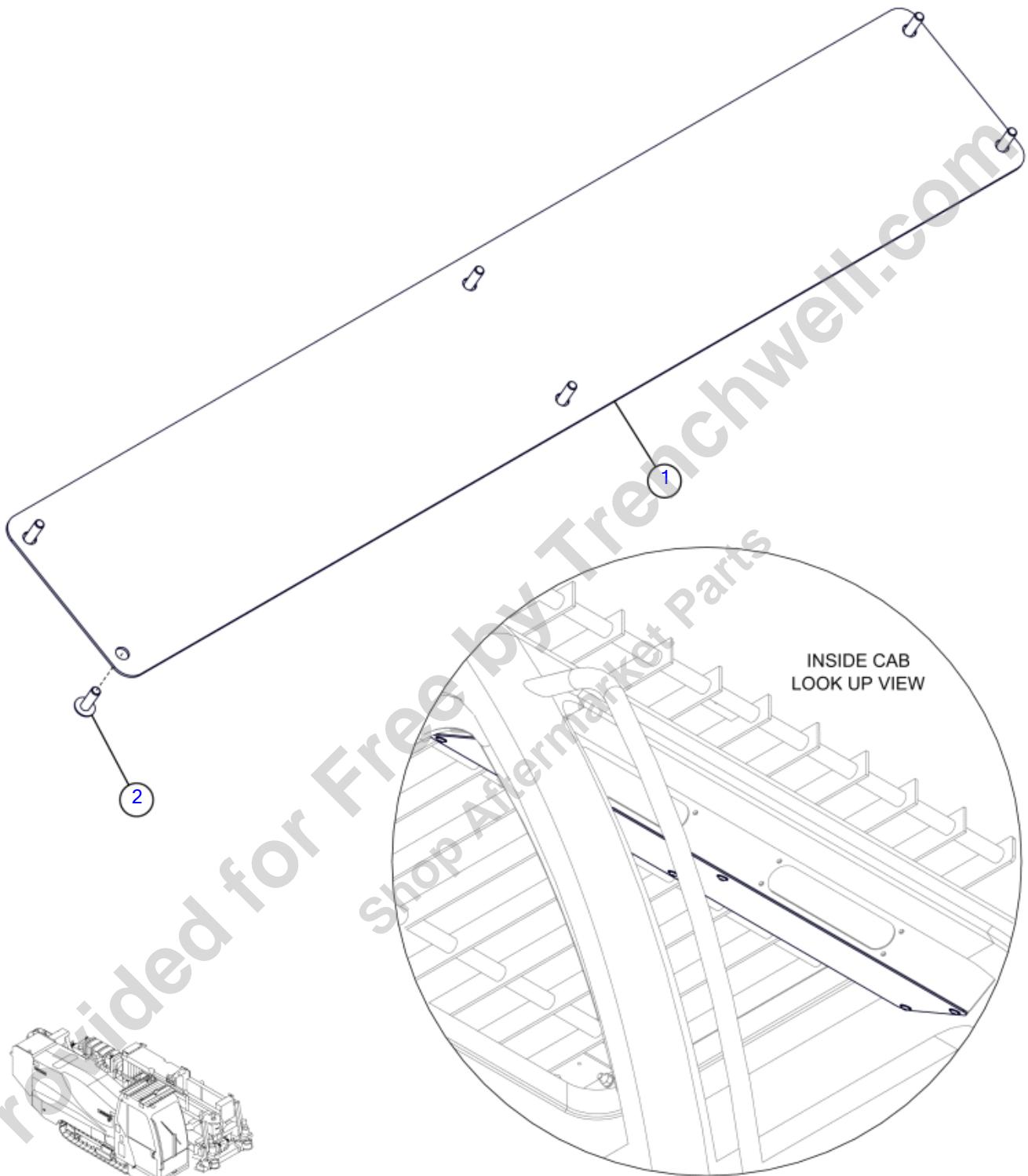


Illustration No. 296361793 - Not For Ordering

Front Top Panel Cover

Fig 07-06

REF NO.	PART NO.	DESCRIPTION	QTY.	REMARKS
1	296361792	PLATE - FRONT COVER	1	
2	308001940	SCREW,SBHCS,M6,1X20,12.9,YZ	6	

Provided for Free by Trenchwell.com
Shop Aftermarket Parts

Rear Louvers & Panel

Fig 07-07

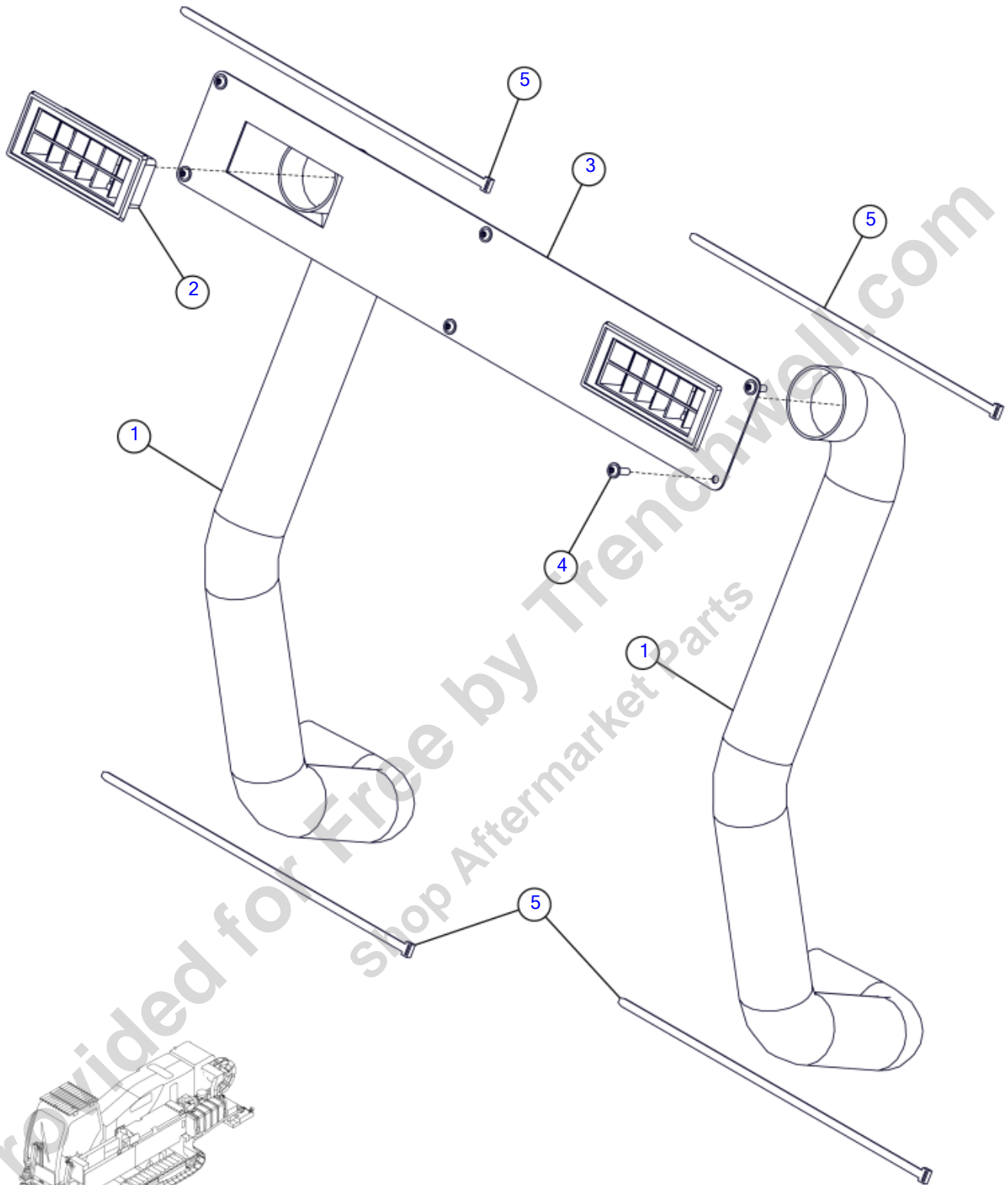


Illustration No. 296351666 - Not For Ordering

Rear Louvers & Panel

Fig 07-07

REF NO.	PART NO.	DESCRIPTION	QTY.	REMARKS
1	296315172	HOSE-AIRCONDITIONING, RT. FRONT	2	
2	296351517	LOUVER-RECT. 2.53 X 5.31	2	
3	296351665	PLATE - CAB LOUVERS REAR	1	
4	308001940	SCREW,SBHCS,M6,1X20,12.9,YZ	6	
5	58151001	STRAP-CABLE TIE-T120R-0 15"	4	

Provided for Free by Trenchwell.com
Shop Aftermarket Parts

Cab Power Distribution Panel

Fig 07-08

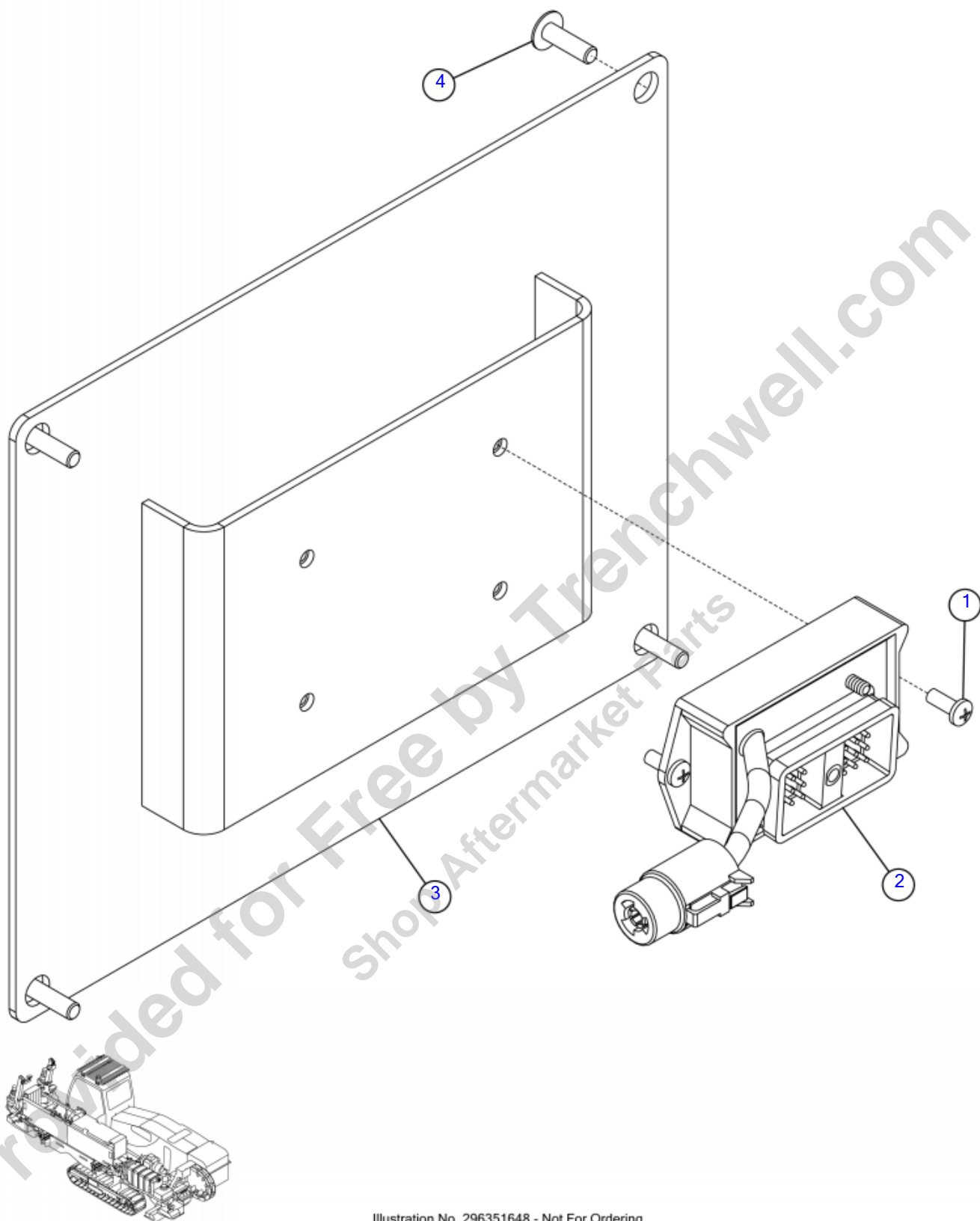


Illustration No. 296351648 - Not For Ordering

Cab Power Distribution Panel

Fig 07-08

REF NO.	PART NO.	DESCRIPTION	QTY.	REMARKS
1	242655001	SCREW-#10-24X1/2PAN HD PLT PHP	2	
2	281526001	BUSS BAR MODULE	1	
3	296351646	WELDENT - POWER DISTRIBUTION	1	
4	308001940	SCREW,SBHCS,M6,1X20,12.9,YZ	4	

Provided for Free by Trenchwell.com
Shop Aftermarket Parts

Fuse Panel

Fig 07-08X01

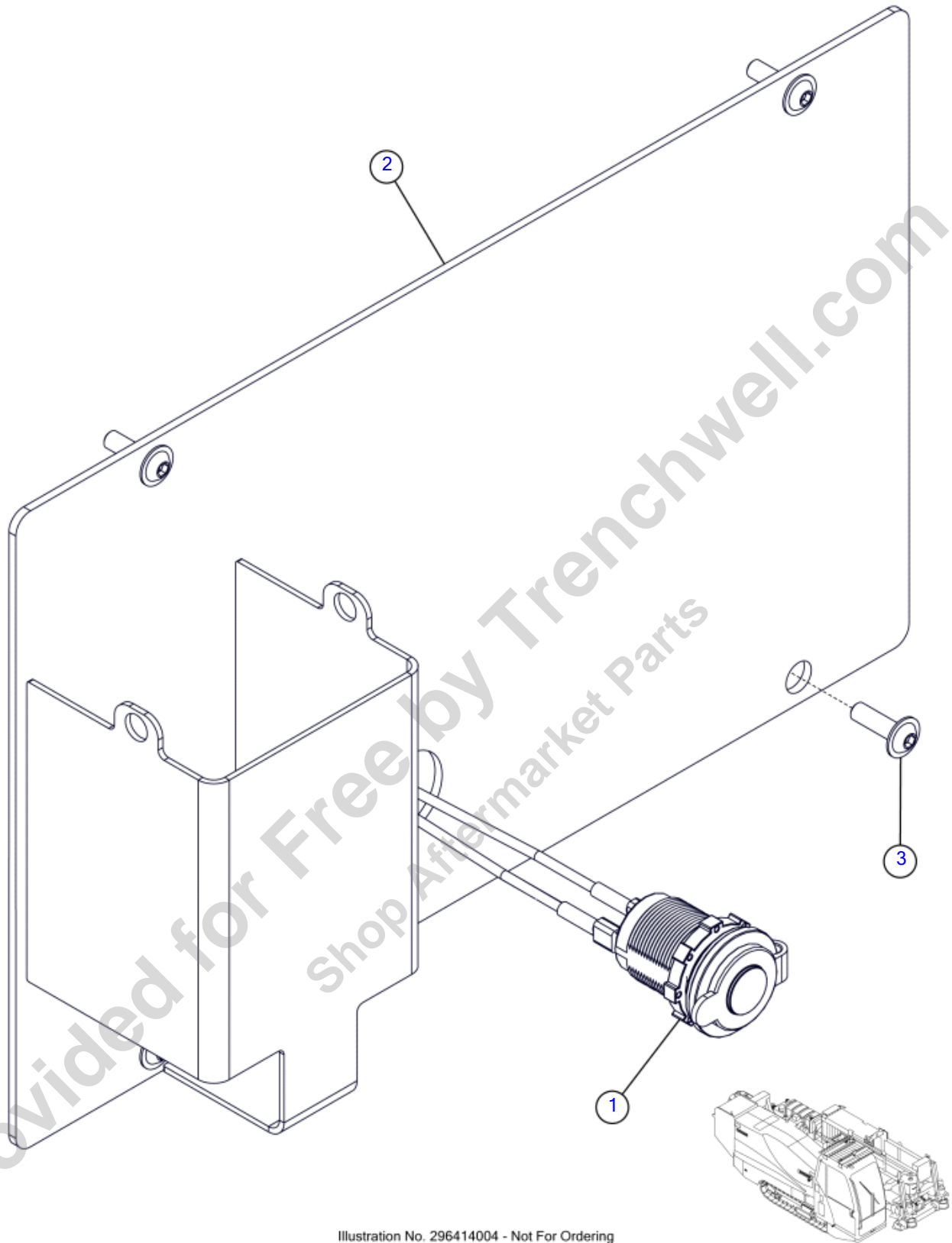


Illustration No. 296414004 - Not For Ordering

Fuse Panel

Fig 07-08X01

REF NO.	PART NO.	DESCRIPTION	QTY.	REMARKS
1	154677001	OUTLET - 12 VOLT	1	
2	296414616	WELDMENT - FUSE PANEL AND LOCKOUT MOUNT	1	
3	308001940	SCREW,SBHCS,M6,1X20,12.9,YZ	4	

Provided for Free by Trenchwell.com
Shop Aftermarket Parts

Dome Light Panel

Fig 07-09

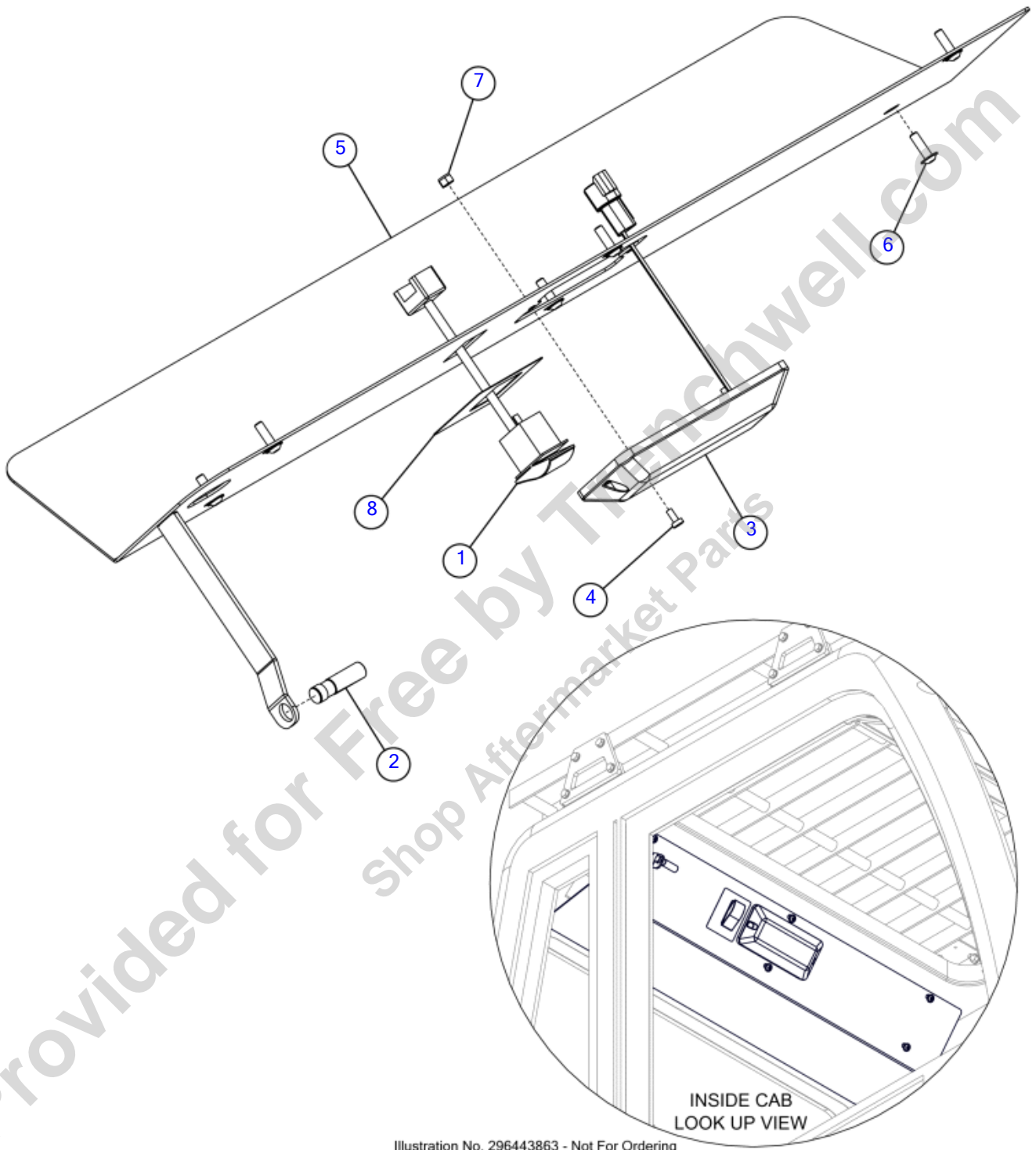


Illustration No. 296443863 - Not For Ordering

Dome Light Panel

Fig 07-09

REF NO.	PART NO.	DESCRIPTION	QTY.	REMARKS
1	296276068	SWITCH-CARLING CONTURA II ON/OFF/ON	1	
2	296276170	SENSOR 12MM PROX	1	
3	296395550	LIGHT - 12/24 LED DOME W/HARNESS JWSPEAKER 410	1	
4	296412083	SCREW-MCH-8-32X.38-GR2-CZ-PAN-PHILLIPS	2	
5	296443861	WELDMENT - TOP CONSOLE	1	
6	308001940	SCREW,SBHCS,M6,1X20,12.9,YZ	6	
7	69759001	LOCK NUT-#8-32 NYLON INSERT PL	2	
8	700IG456	DECAL-CONTROL, DOME LIGHT	1	

Provided for Free by Trenchwell.com
Shop Aftermarket Parts

Air Conditioner Evaporator

Fig 07-10

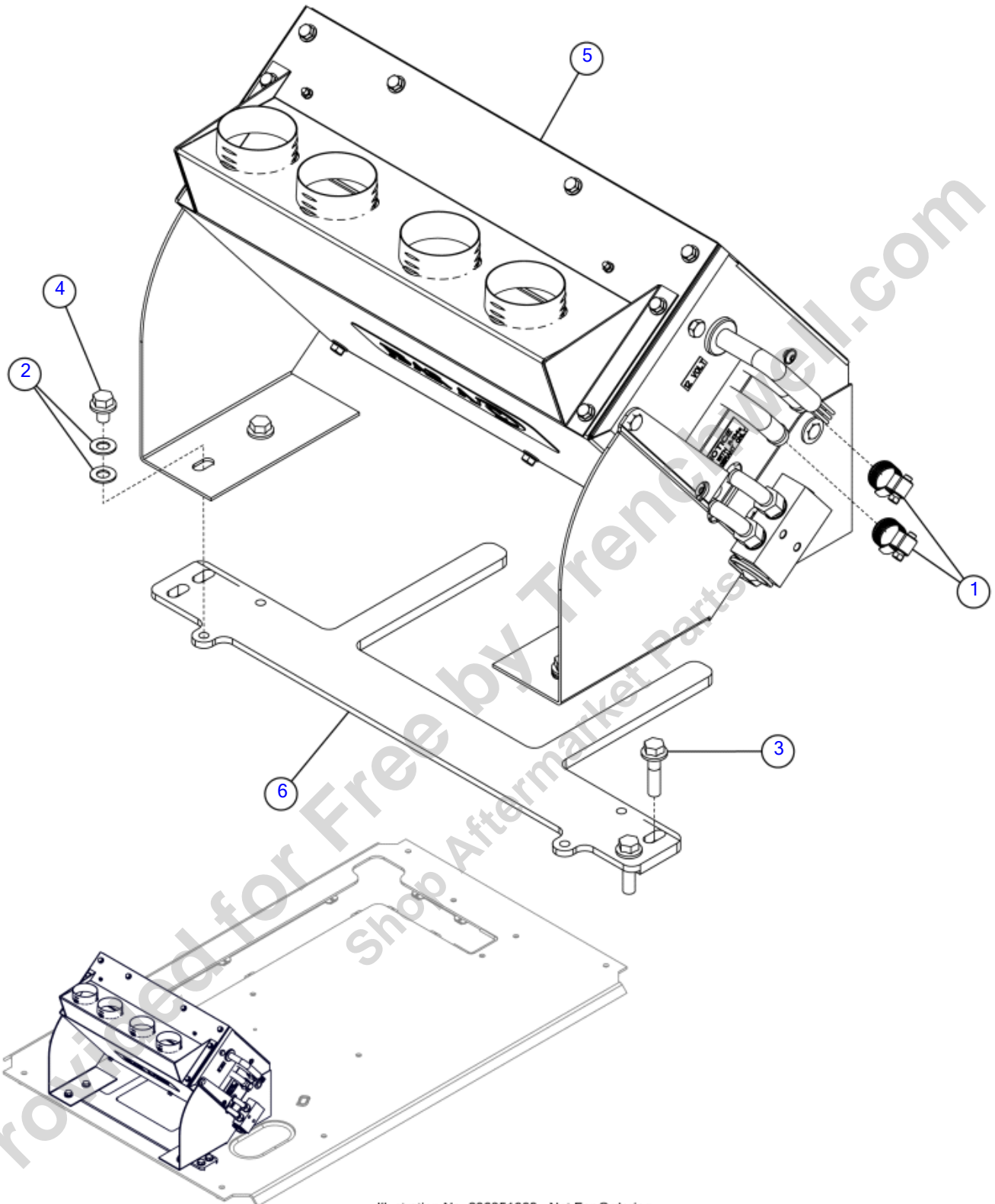


Illustration No. 296351668 - Not For Ordering

Air Conditioner Evaporator

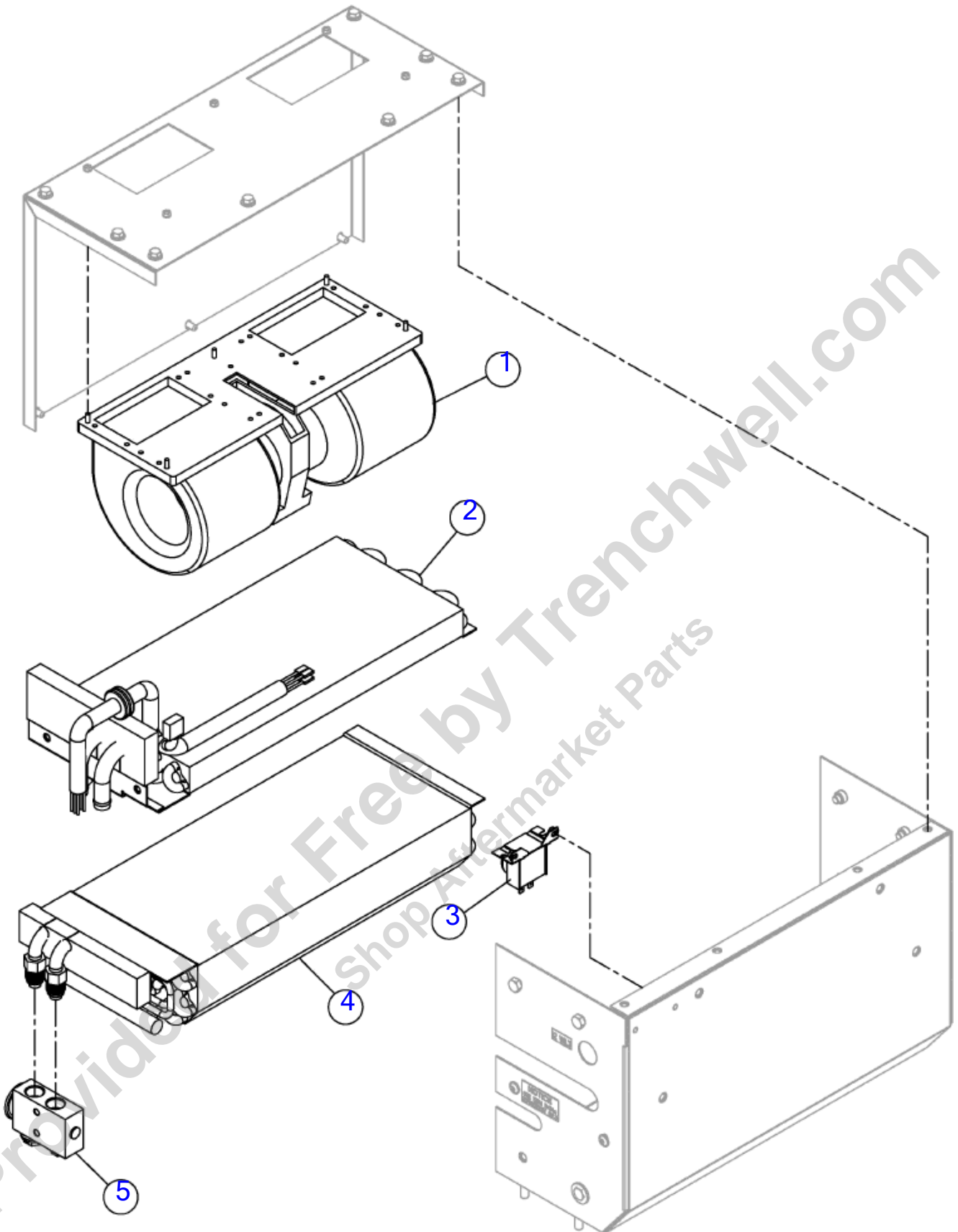
Fig 07-10

REF NO.	PART NO.	DESCRIPTION	QTY.	REMARKS
1	1580003	HOSE CLAMP - 3/4"	2	
2	235713001	WASHER - FLATSTRL - .38 - .41 X .81 - .06-YA-A325	4	
3	296300774	SCREW HFS .38 - 16 X 1.50 GR8 YZ	4	
4	296300922	SCREW-HFS-.38-16X.50-GR8-YZ	4	
5	296339446	EVAPORATOR- AC HEATING/COOLING 12V	1	Breakdown Fig. 7-10T01
6	296351700	PLATE - A / C EVAPORATOR MOUNT	1	

Provided for Free by Trenchwell.com
Shop Aftermarket Parts

Breakdown-Heating & Cooling Evaporator

Fig 07-10T01



Breakdown-Heating & Cooling Evaporator

Fig 07-10T01

REF NO.	PART NO.	DESCRIPTION	QTY.	REMARKS
1	296325428	BLOWER - DS -DI -12V SPAL 006-A40-22 W/RES	1	
2	296367544	HEATER CORE	1	
3	296325415	SWITCH - THERMOSTAT - PRESET - 21	1	
4	296367545	EVAPORATOR COIL	1	
5	296325431	VALVE-EXP BOCK-#6-#10X#8-#8FIOR 1.5T-8	1	
	296339446	EVAPORATOR- AC HEATING/COOLING 12V	1	Includes All Items Listed Above

Provided for Free by Trenchwell.com
Shop Aftermarket Parts

Seat Mount

Fig 07-11

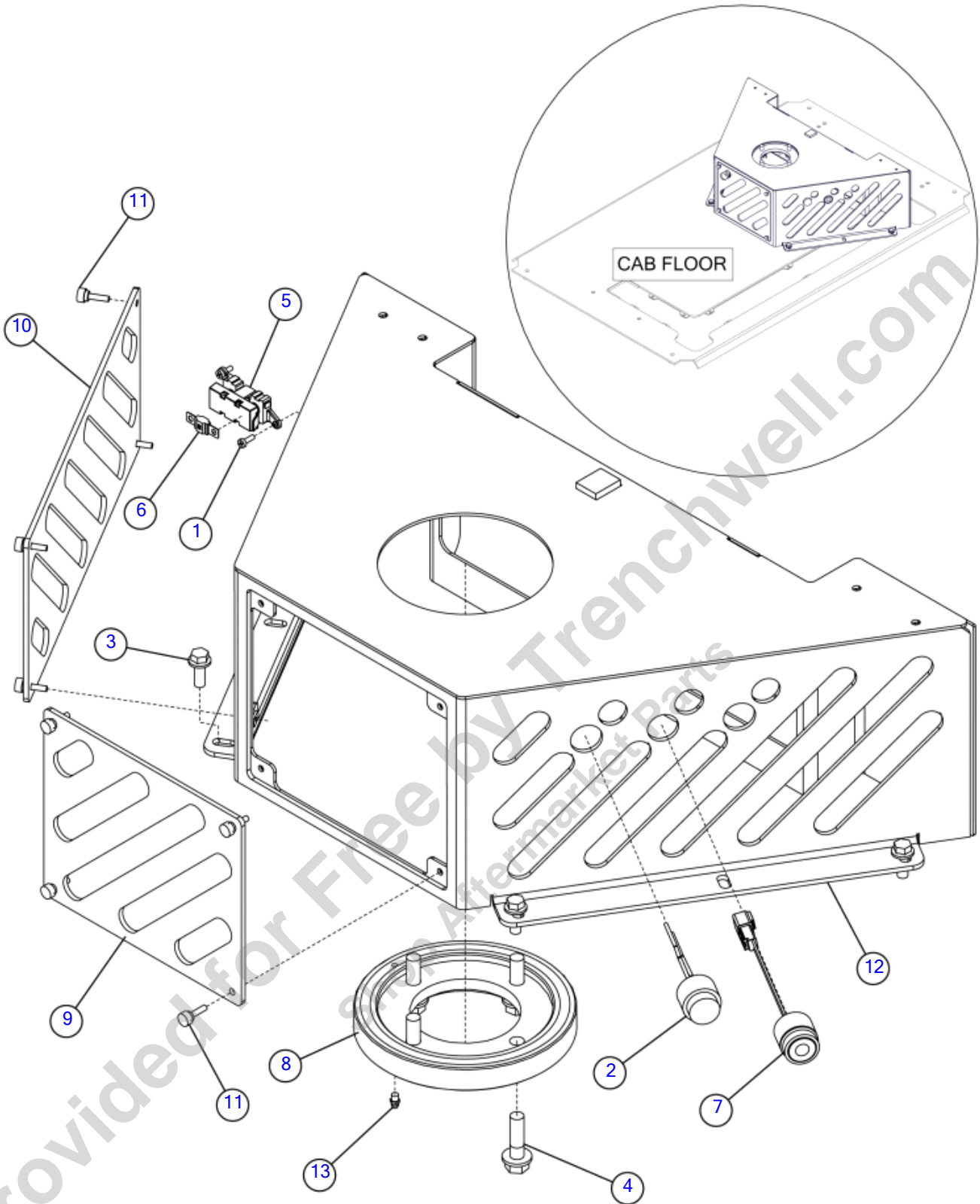


Illustration No. 296443795 - Not For Ordering

Seat Mount
Fig 07-11

REF NO.	PART NO.	DESCRIPTION	QTY.	REMARKS
1	130745083	SCREW - MCH-8-32 X .50-PHILLIPS-CZ	2	
2	286920001	REMOTE LOCKOUT BUZZER	1	
3	296300772	SCREW HFS .38-16X1.00 GR8 YZ	4	
4	296300791	SCREW-HFS-.50-13X1.75-GR8-YZ	4	
5	296347155	MODULE - FUSE HOLDER MIDI	1	
6	296347161	FUSE-80A MIDI	1	
7	296358195	HORN-STRIKE ALERT	1	
8	296361929	RING - SEAT PIVOT RETAINER	1	
9	296369419	PLATE - SEAT BASE FRONT	1	
10	296393534	PLATE - SIDE SEAT DOOR	1	
11	296405856	SCREW-10-24X3/4 SS KNURLED HEAD	8	
12	296443794	WELDMENT - SEAT BASE MEDIUM NAV	1	
13	598001	FITTING - 1/4" NF ST GREASE ZERK	1	

Provided for Free by Trenchwell.com
 Shop Aftermarket Parts

Back Panel

Fig 07-11X01

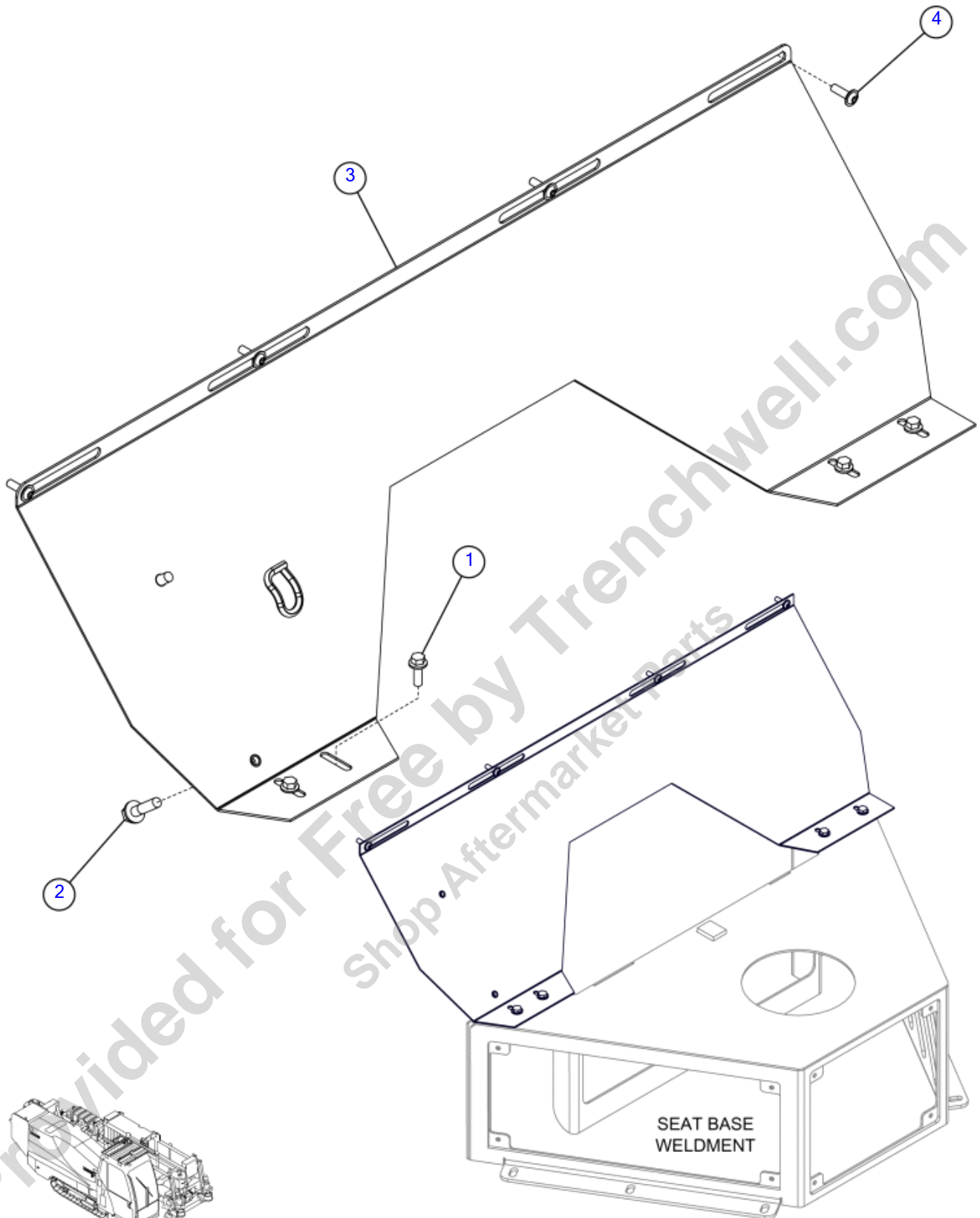


Illustration No. 296414004 - Not For Ordering

Back Panel

Fig 07-11X01

REF NO.	PART NO.	DESCRIPTION	QTY.	REMARKS
1	296300753	SCREW-HFS-.25-20X.75-GR8-YZ	4	
2	296300764	SCREW-HFS-.31-18X1.25-GR8-YZ	2	
3	296361773	WELDMENT - BACK COVER	1	
4	308001940	SCREW,SBHCS,M6,1X20,12.9,YZ	4	

Provided for Free by Trenchwell.com
Shop Aftermarket Parts

Seat
Fig 07-12

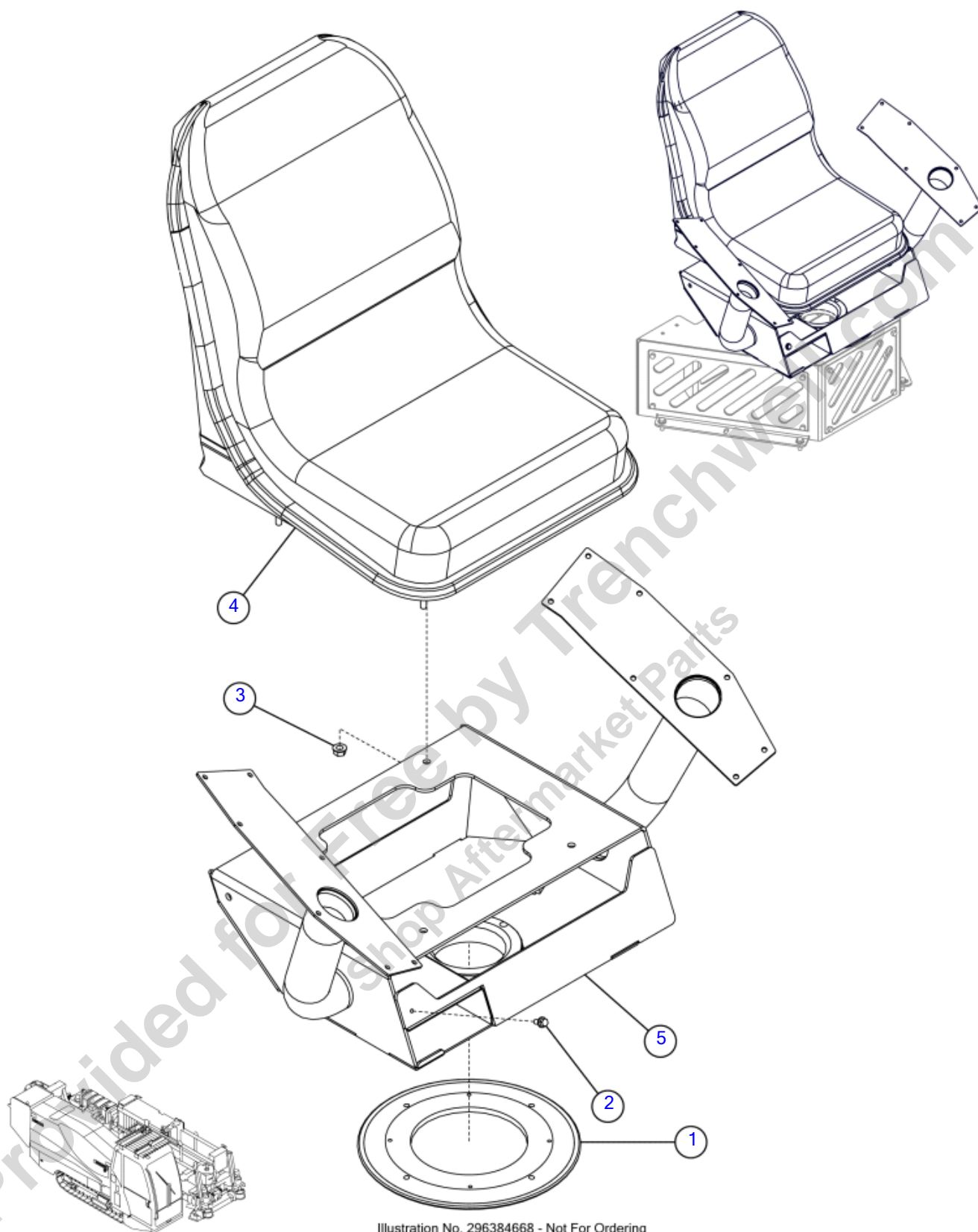


Illustration No. 296384668 - Not For Ordering

Seat
Fig 07-12

REF NO.	PART NO.	DESCRIPTION	QTY.	REMARKS
1	296256466	BEARING-LAZY SUSAN #12C	1	
2	296300751	SCREW HFS .25-20X.50 GR8-YZ	1	
3	296300895	NUT, HEXFLG-.38-16-GR8-YZ	4	
4	296360375	SEAT-XR-210 GREY, 6540-006	1	Includes Switch & Hardware
4	296333829	SWITCH - SEAT HALL EFFECT	1	
4	240419001	BOLT-1/4-20X3/4 BUTTON HEAD	4	
5	296384667	SEAT MOUNT WELDMENT	1	

Provided for Free by Trenchwell.com
Shop Aftermarket Parts

Right Console w/ Joystick (SN 101-1091)

Fig 07-13

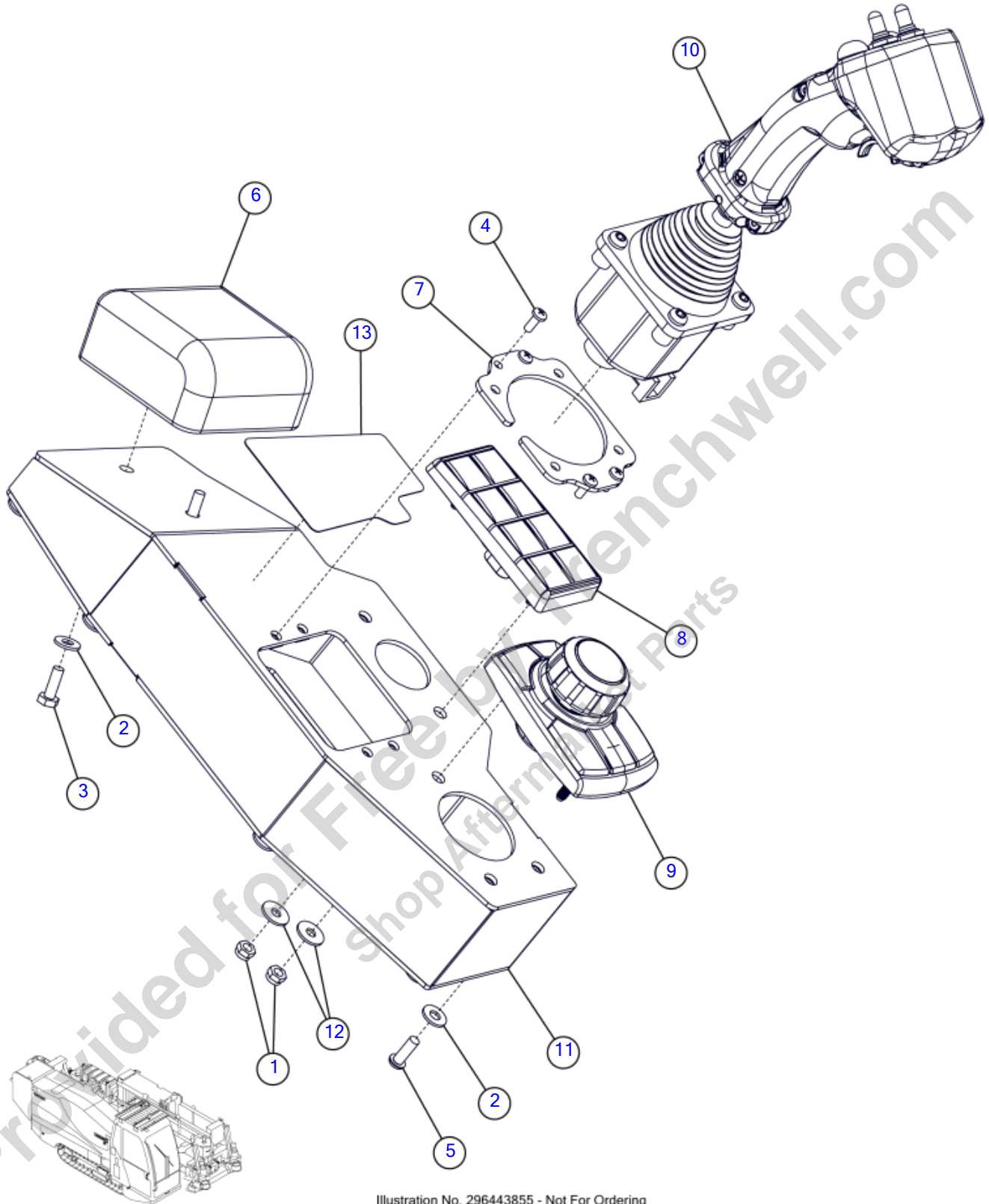


Illustration No. 296443855 - Not For Ordering

Right Console w/ Joystick (SN 101-1091)

Fig 07-13

REF NO.	PART NO.	DESCRIPTION	QTY.	REMARKS
1	128478001	NUT-HEX NYL M6-1.00 YZ D985	5	
2	235716001	WASHER - FLATSTRL - .25 -.28 X .63 - .06 - CZ	8	
3	235734001	BOLT-1/4-20X3/4 GR8 ZYC	2	
4	242655001	SCREW-#10-24X1/2PAN HD PLT PHP	4	
5	278986001	SCREW - 1/4-20 X 3/4 GR8 SBHCS CZ	6	
6	296276722	PAD - ARM REST	1	
7	296351587	PLATE - JOYSTICK MOUNT	1	
8	296372555	KEYPAD-RIGHT COMMON PLATFORM LVL II	1	
9	296372565	ENCODER-VDC COMMON PLATFORM LVL II	1	
10	296533509	JOYSTICK-RH DRILL CAN	1	Breakdown Fig. 7-13T01
10	(296376913)	JOYSTICK-RH DRILL CAN	1	Breakdown Fig. 7-13T01
11	296411112	WELDMENT - RIGHT CONSOLE	1	
12	507086006	WASHER-FLAT,M6, LARGE RIM, DIN9021	5	
13	700IG440	DECAL-CONTROL, RH JOYSTICK D60 W/CAB	1	

Provided for Free by Trenchwell.com
Shop Aftermarket Parts

Right Console W/ Joystick (SN 1092-)

Fig 07-13R01

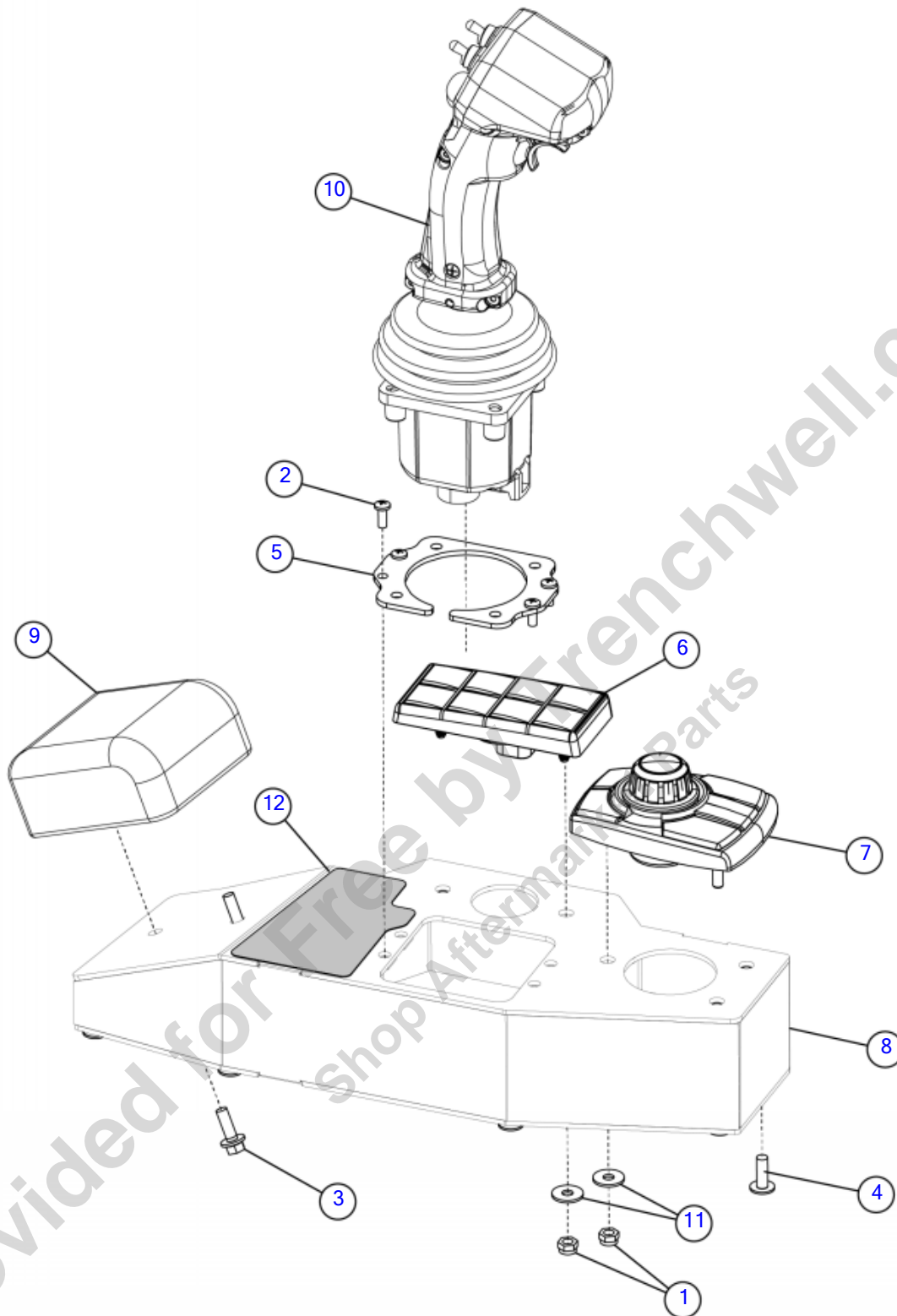


Illustration No. 296443855 - Not For Ordering

Right Console W/ Joystick (SN 1092-)

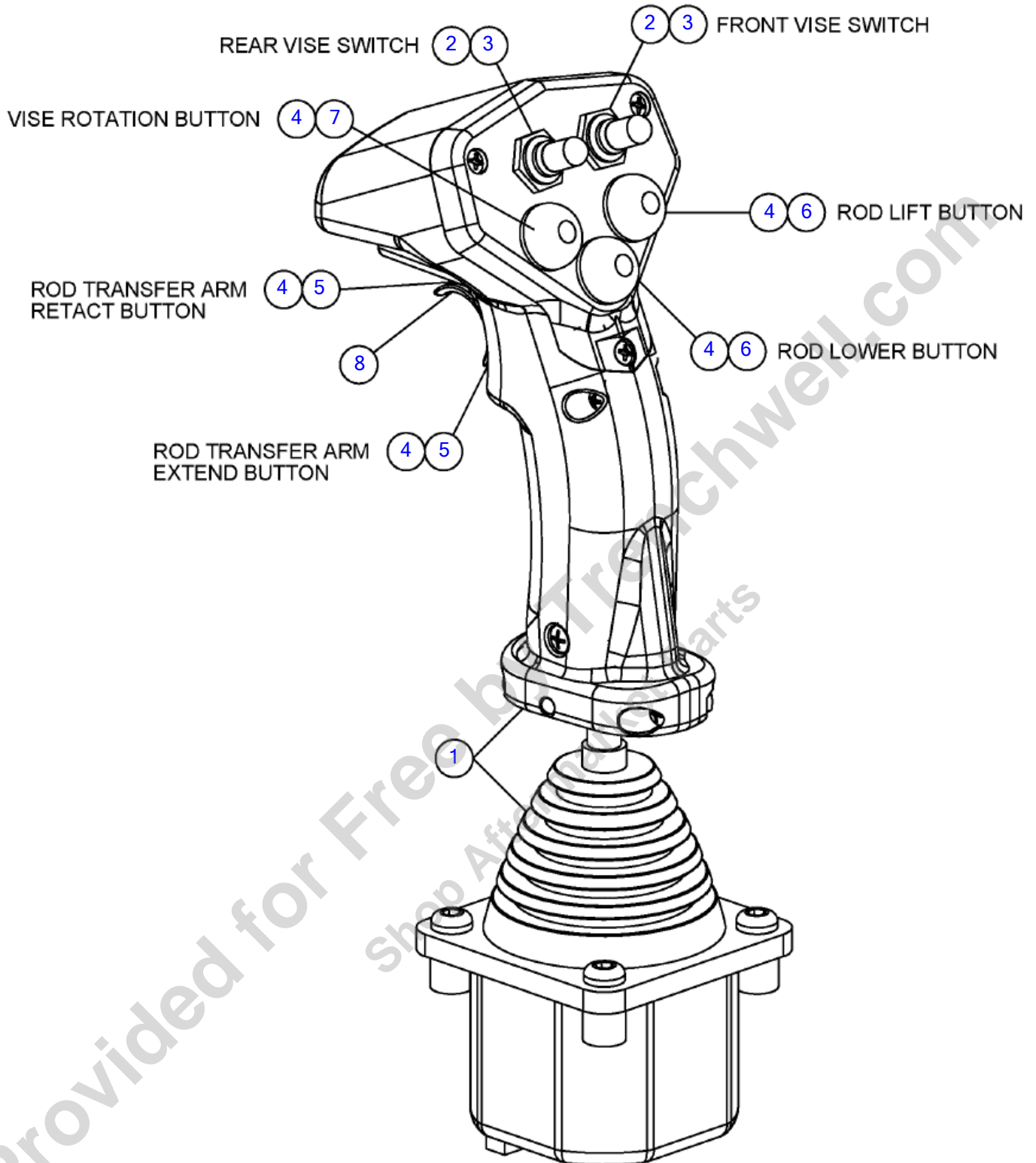
Fig 07-13R01

REF NO.	PART NO.	DESCRIPTION	QTY.	REMARKS
1	128478001	NUT-HEX NYL M6-1.00 YZ D985	5	
2	242655001	SCREW-#10-24X1/2PAN HD PLT PHP	4	
3	296300753	SCREW-HFS-.25-20X.75-GR8	2	
4	296344855	SCREW - 1/4-20 X 3/4 FLNG BUT SOC YZ	6	
5	296351587	PLATE - JOYSTICK MOUNT	1	
6	296372555	KEYPAD-RIGHT COMMON PLATFORM LVL II	1	
7	296372565	ENCODER-VDC COMMON PLATFORM LVL II	1	
8	296411112	WELDMENT - RIGHT CONSOLE	1	
9	296525076	PAD - ARM REST BLACK	1	
10	296533509	JOYSTICK-RH DRILL CAN	1	Breakdown Fig. 7-13T01R01
11	507086006	WASHER-FLAT,M6, LARGE RIM, DIN9021	5	
12	700IG440	DECAL-CONTROL, RH JOYSTICK D60 W/CAB	1	

Provided for Free by Trenchwell.com
Shop Aftermarket Parts

Breakdown-Right Joystick (SN 101-1091)

Fig 07-13T01



Breakdown-Right Joystick (SN 101-1091)

Fig 07-13T01

REF NO.	PART NO.	DESCRIPTION	QTY.	REMARKS
1		JOYSTICK HANDLE & BASE	1	Not Sold Separately
2	296367529	TOGGLE SWITCH	2	
3	296367530	TOGGLE SWITCH BOOT-BLACK	2	
4	296367531	PUSH BUTTON-BLACK	3	
5	296367532	PUSH BUTTON-YELLOW	2	
6	296367533	SILICONE BOOT-BLACK	2	
7	296367534	SILICONE BOOT-CLEAR	3	
8	296418339	OEM TRIGGER	1	
	296533509	JOYSTICK-RH DRILL CAN	1	Includes All Items Listed Above
	(296376913)	JOYSTICK-RH DRILL CAN	1	Includes All Items Listed Above

Provided for Free by Trenchwell.com
Shop Aftermarket Parts

Breakdown-Right Joystick (SN 1092-)

Fig 07-13T01R01

Breakdown limited because: special tools or training required,
parts not available, may void warranty, and/or not cost effective.

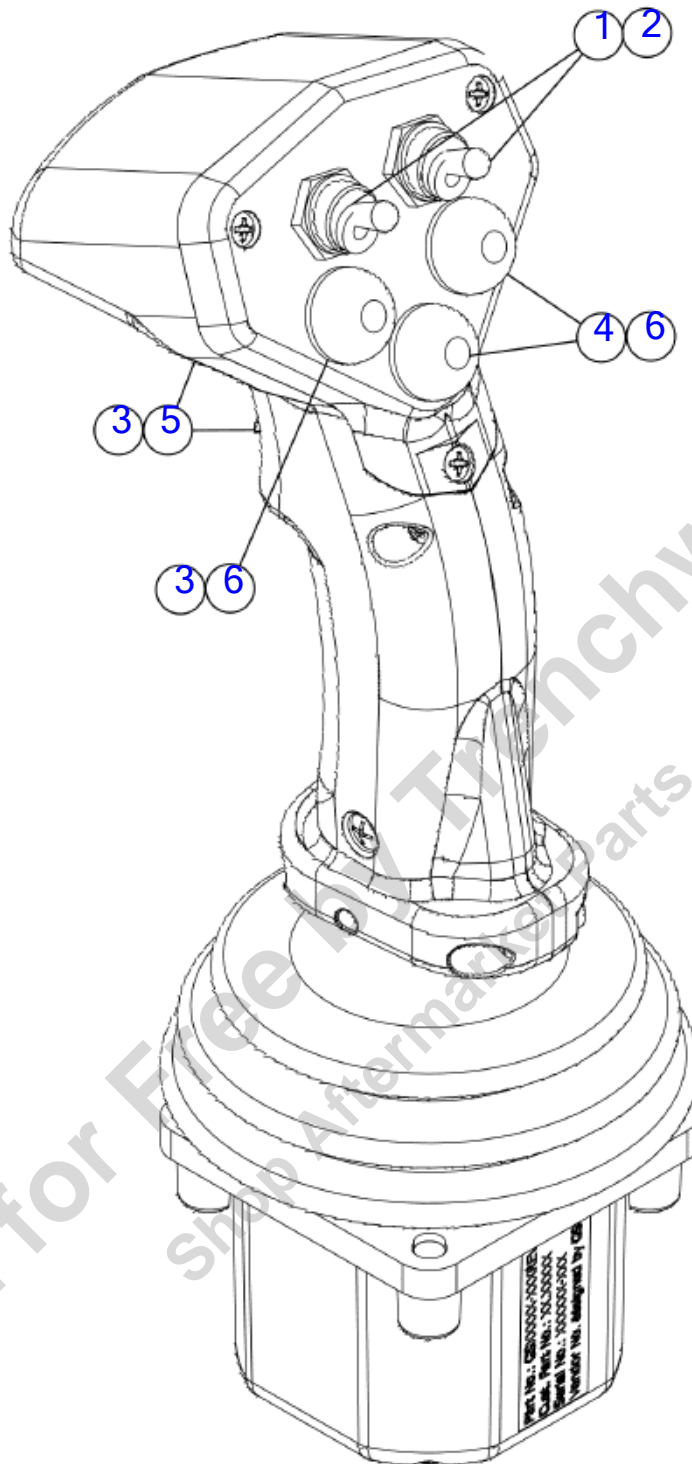


Illustration No. 296533509_BD—Not For Ordering

Breakdown-Right Joystick (SN 1092-)

Fig 07-13T01R01

REF NO.	PART NO.	DESCRIPTION	QTY.	REMARKS
1	296367529	TOGGLE SWITCH	2	
2	296454460	TOGGLE SWITCH HALF BOOT	2	
3	296367531	PUSH BUTTON-BLACK	3	
4	296367532	PUSH BUTTON-YELLOW	2	
5	296367533	SILICONE BOOT-BLACK	2	
6	296367534	SILICONE BOOT-CLEAR	3	
	296533509	JOYSTICK-RH DRILL CAN	1	Includes Refs. 1-6

Provided for Free by Trenchwell.com
Shop Aftermarket Parts

Left Console w/ Joystick (SN 101-1091)

Fig 07-14

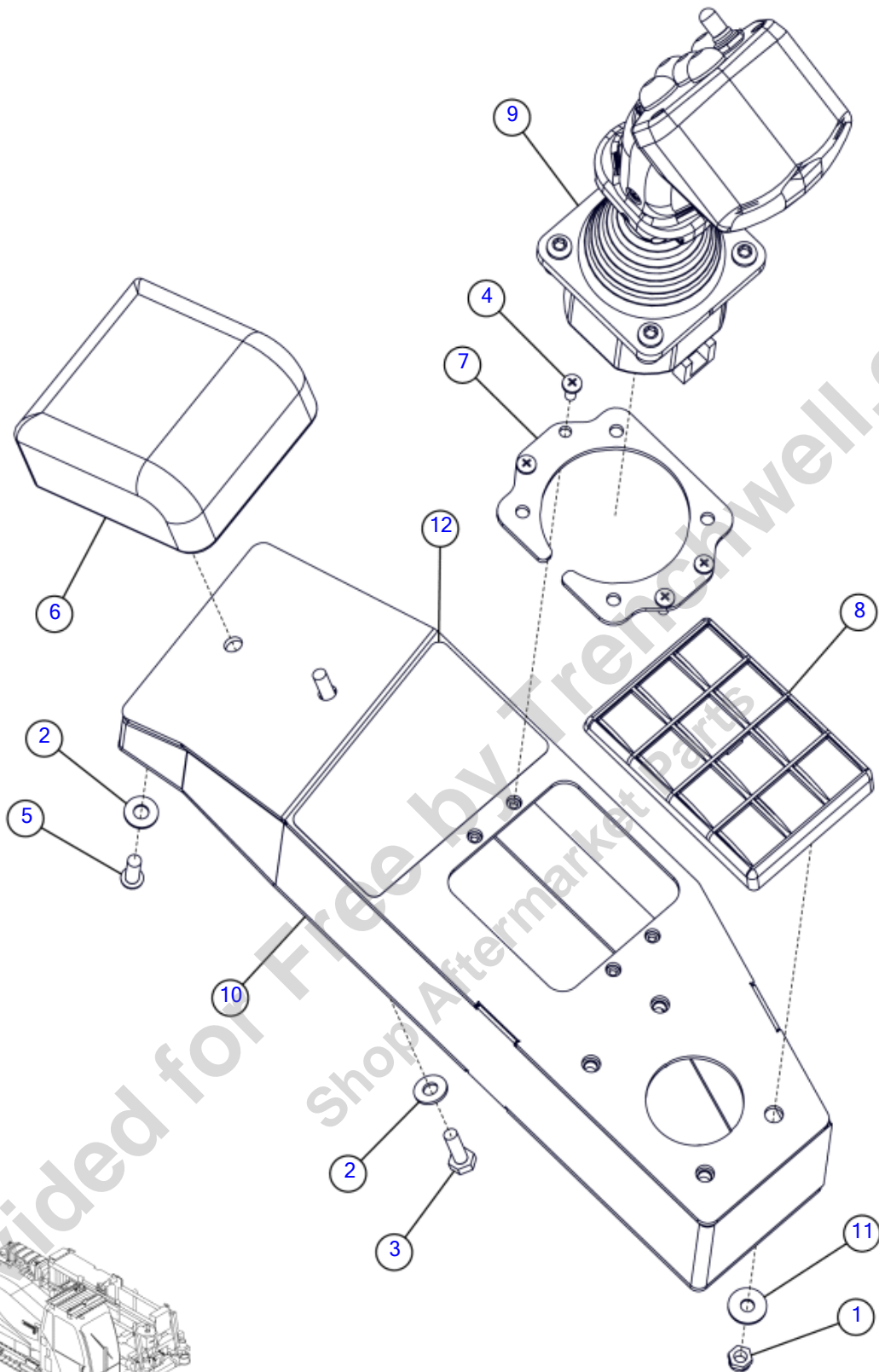


Illustration No. 296424604 - Not For Ordering

Left Console w/ Joystick (SN 101-1091)

Fig 07-14

REF NO.	PART NO.	DESCRIPTION	QTY.	REMARKS
1	128478001	NUT-HEX NYL M6-1.00 YZ D985	4	
2	235716001	WASHER - FLATSTRL - .25 -.28 X .63 - .06 - CZ	9	
3	235734001	BOLT-1/4-20X3/4 GR8 ZYC	2	
4	242655001	SCREW-#10-24X1/2PAN HD PLT PHP	4	
5	278986001	SCREW - 1/4-20 X 3/4 GR8 SBHCS CZ	7	
6	296276722	PAD - ARM REST	1	
7	296351587	PLATE - JOYSTICK MOUNT	1	
8	296372568	KEYPAD-SET UP COMMON LVL II	1	
9	296533510	JOYSTICK-LH DRILL CAN	1	Breakdown Fig. 7-14T01
9	(296376912)	JOYSTICK-LH DRILL CAN	1	Breakdown Fig. 7-14T01
10	296414614	WELDMENT - CONSOLE	1	
11	507086006	WASHER-FLAT,M6, LARGE RIM, DIN9021	4	
12	700IG615	DECAL-CONTROL, LH JOYSTICK, W/CAB	1	

Provided for Free by Trenchwell.com
Shop Aftermarket Parts

Left Console W/ Joystick (SN 1092-)

Fig 07-14R01

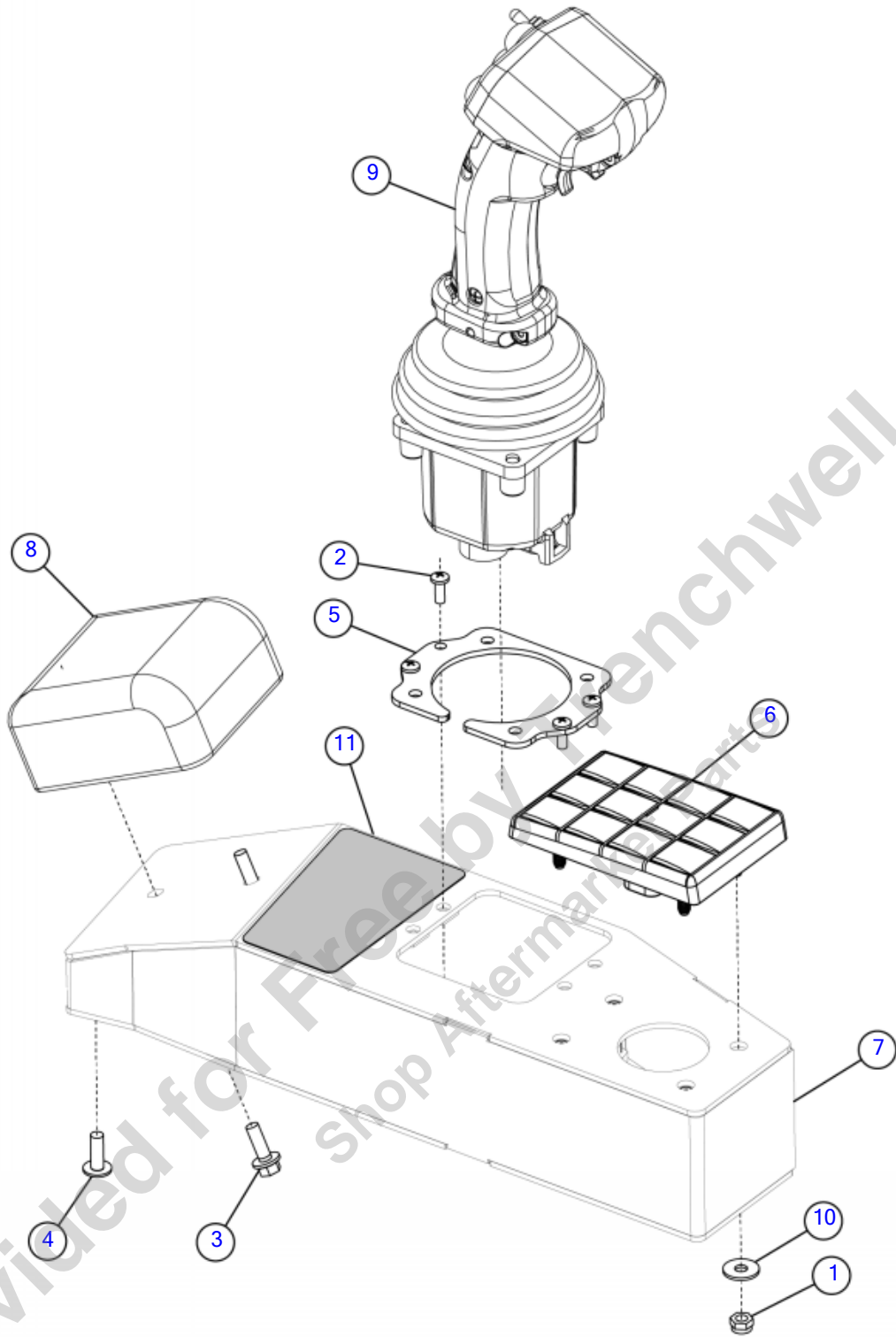


Illustration No. 296424604 - Not For Ordering

Left Console W/ Joystick (SN 1092-)

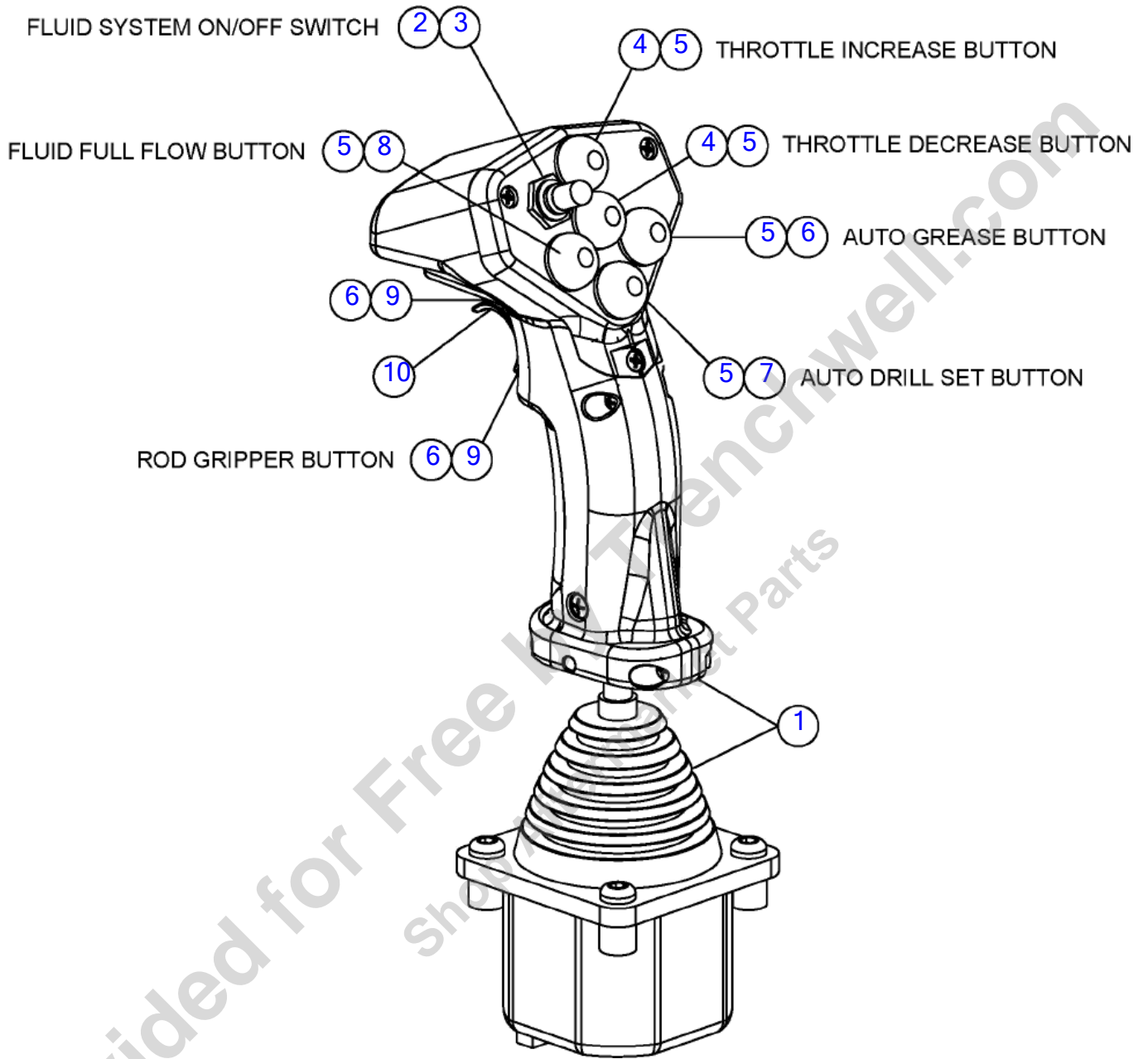
Fig 07-14R01

REF NO.	PART NO.	DESCRIPTION	QTY.	REMARKS
1	128478001	NUT-HEX NYL M6-1.00 YZ D985	4	
2	242655001	SCREW-#10-24X1/2PAN HD PLT PHP	4	
3	296300753	SCREW-HFS-.25-20X.75-GR8	2	
4	296344855	SCREW - 1/4-20 X 3/4 FLNG BUT SOC YZ	7	
5	296351587	PLATE - JOYSTICK MOUNT	1	
6	296372568	KEYPAD-SET UP COMMON LVL II	1	
7	296414614	WELDMENT - CONSOLE	1	
8	296525076	PAD - ARM REST BLACK	1	
9	296533510	JOYSTICK-LH DRILL CAN	1	Breakdown Fig.7-14T01R01
10	507086006	WASHER-FLAT,M6, LARGE RIM, DIN9021	4	
11	700IG615	DECAL-CONTROL, LH JOYSTICK, W/CAB	1	

Provided for Free by Trenchwell.com
Shop Aftermarket Parts

Breakdown-Left Joystick (SN 101-1091)

Fig 07-14T01



Breakdown-Left Joystick (SN 101-1091)

Fig 07-14T01

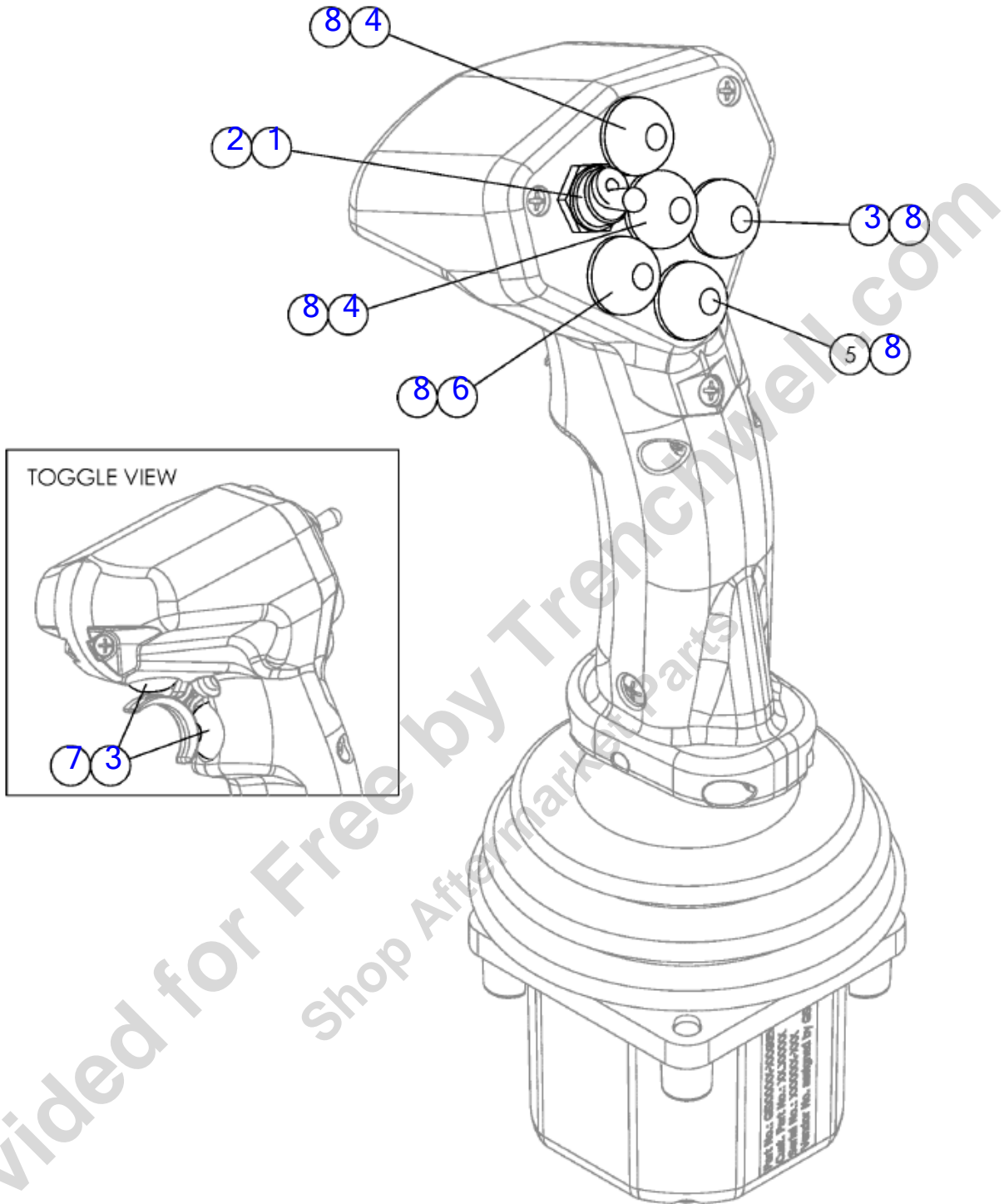
REF NO.	PART NO.	DESCRIPTION	QTY.	REMARKS
1		JOYSTICK HANDLE & BASE	1	Not Sold Separately
2	296367529	TOGGLE SWITCH	1	
3	296367530	TOGGLE SWITCH BOOT-BLACK	1	
4	296367541	PUSH BUTTON-ORANGE	2	
5	296367534	SILICONE BOOT-CLEAR	5	
6	296367531	PUSH BUTTON-BLACK	3	
7	296367542	PUSH BUTTON-GREEN	1	
8	296367543	PUSH BUTTON-BLUE	1	
9	296367533	SILICONE BOOT-BLACK	2	
10	296418339	OEM TRIGGER	1	
	296533510	JOYSTICK-LH DRILL CAN	1	Includes All Items Listed Above
	(296376912)	JOYSTICK-LH DRILL CAN	1	Includes All Items Listed Above

Provided for Free by Trenchwell.com
Shop Aftermarket Parts

Breakdown-Joystick LH (SN 1092)

Fig 07-14T01R01

Breakdown limited because: special tools or training required,
parts not available, may void warranty, and/or not cost effective.



Breakdown-Joystick LH (SN 1092)

Fig 07-14T01R01

REF NO.	PART NO.	DESCRIPTION	QTY.	REMARKS
1	296367529	TOGGLE SWITCH	1	
2	296454460	TOGGLE SWITCH HALF BOOT	1	
3	296367531	PUSH BUTTON-BLACK	3	
4	296360553	APEM PUSHBUTTON ORANGE	2	
5	296360556	APEM PUSHBUTTON GREEN	1	
6	296360554	APEM PUSHBUTTON BLUE	1	
7	296367533	SILICONE BOOT-BLACK	2	
8	296367534	SILICONE BOOT-CLEAR	5	
	296533510	JOYSTICK-LH DRILL CAN	1	Includes Refs. 1-8.

Provided for Free by Trenchwell.com
Shop Aftermarket Parts

Center Console

Fig 07-15

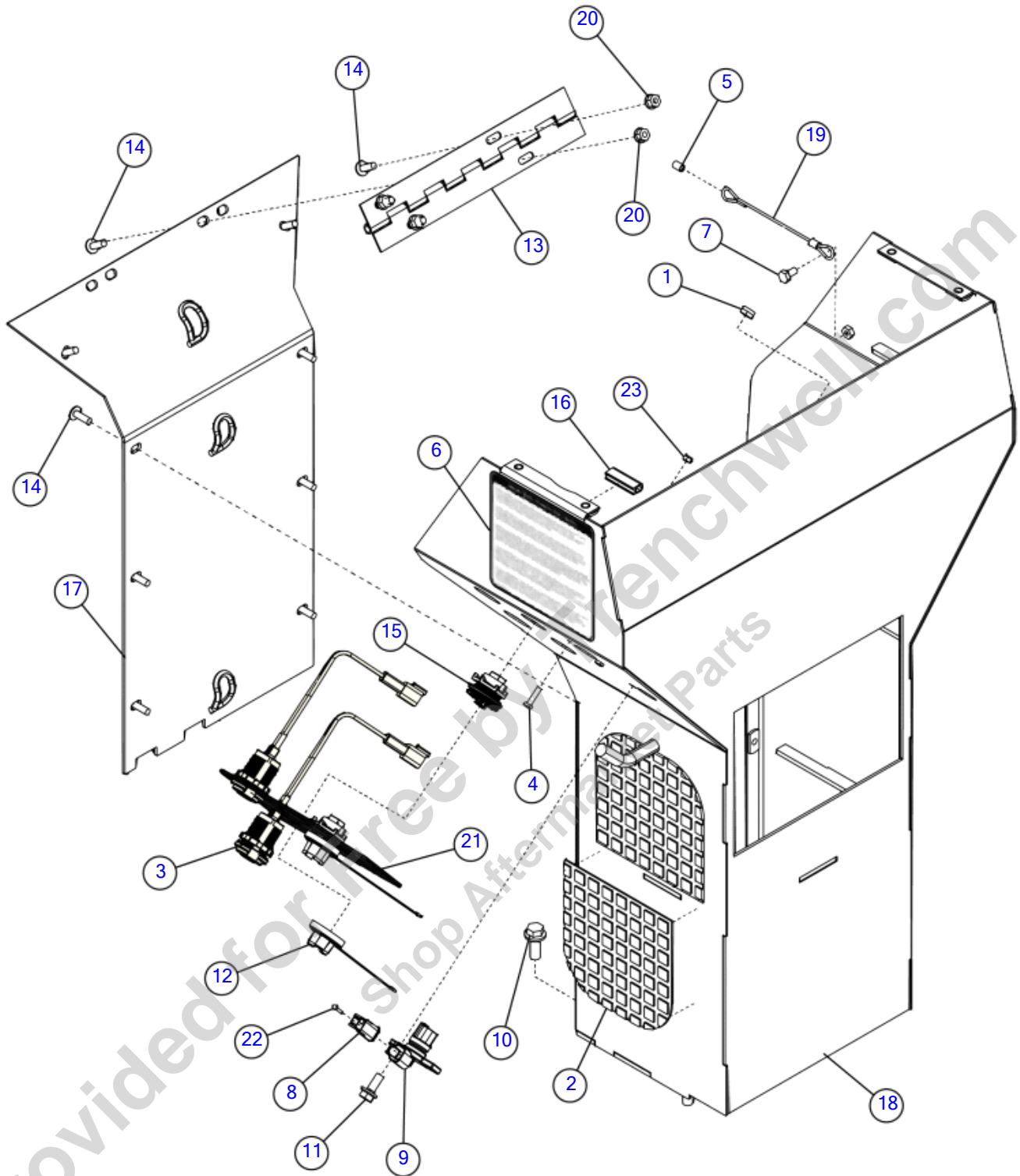


Illustration No. 296443805 - Not For Ordering

Center Console

Fig 07-15

REF NO.	PART NO.	DESCRIPTION	QTY.	REMARKS
1	104212001	NUT-5/16-18 NYLON INSERT LOCK	1	
2	128486001	TAPE-ANTI-SKID PAD	2	
3	154677001	OUTLET - 12 VOLT	2	
4	1802006	BOLT-10-24 X 3/4 RND HD STOVE	2	
5	1838001	CONNECTOR-WIRE (ETC)	2	
6	2326940	DECAL-NOTICE TO OWNERS	1	
7	235733001	BOLT-1/4-20X1/2 GR8	1	
8	276884001	PLUG - 2 PIN	1	
9	296290581	BULKHEAD ELECTRICAL DEUTSCH	1	
10	296300772	SCREW HFS .38-16X1.00 GR8	4	
11	296300860	SCREW-HFS-.31-18X.75-GR8-YZ-PATCH	1	
12	296333831	CAP-USB SEALED	2	
13	296339435	HINGE-DOOR 11.00 X 2.00 SS	1	
14	296344855	SCREW - 1/4-20 X 3/4 FLNG BUT SOC YZ	12	
15	296371761	USB A/REAR USB B FRONT PANEL MOUNT	2	
16	296385531	TRIM - 1/4" EDGE	2	
17	296405803	WELDMENT - FRONT CONSOLE COVER	1	
18	296443806	WELDMENT - CENTER CONSOLE CAB MEDIUM NAV	1	
19	296480275	NYLON COATED CABLE-3/32-9.5	1	
20	510313401	NUT-HEXFLGL-.25-20-GR2	4	
21	700IF995	DECAL-CONSOLE, RIGHT SIDE PANEL	1	
22	94201001	PLUG - SEALING 12-16	2	
23	99042001	NUT-NYLOCK-#10-24-GR2-CZ	2	

Front Display

Fig 07-16

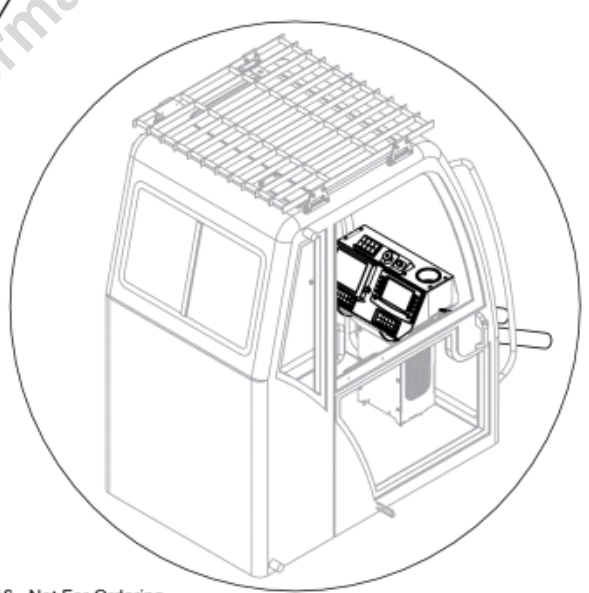
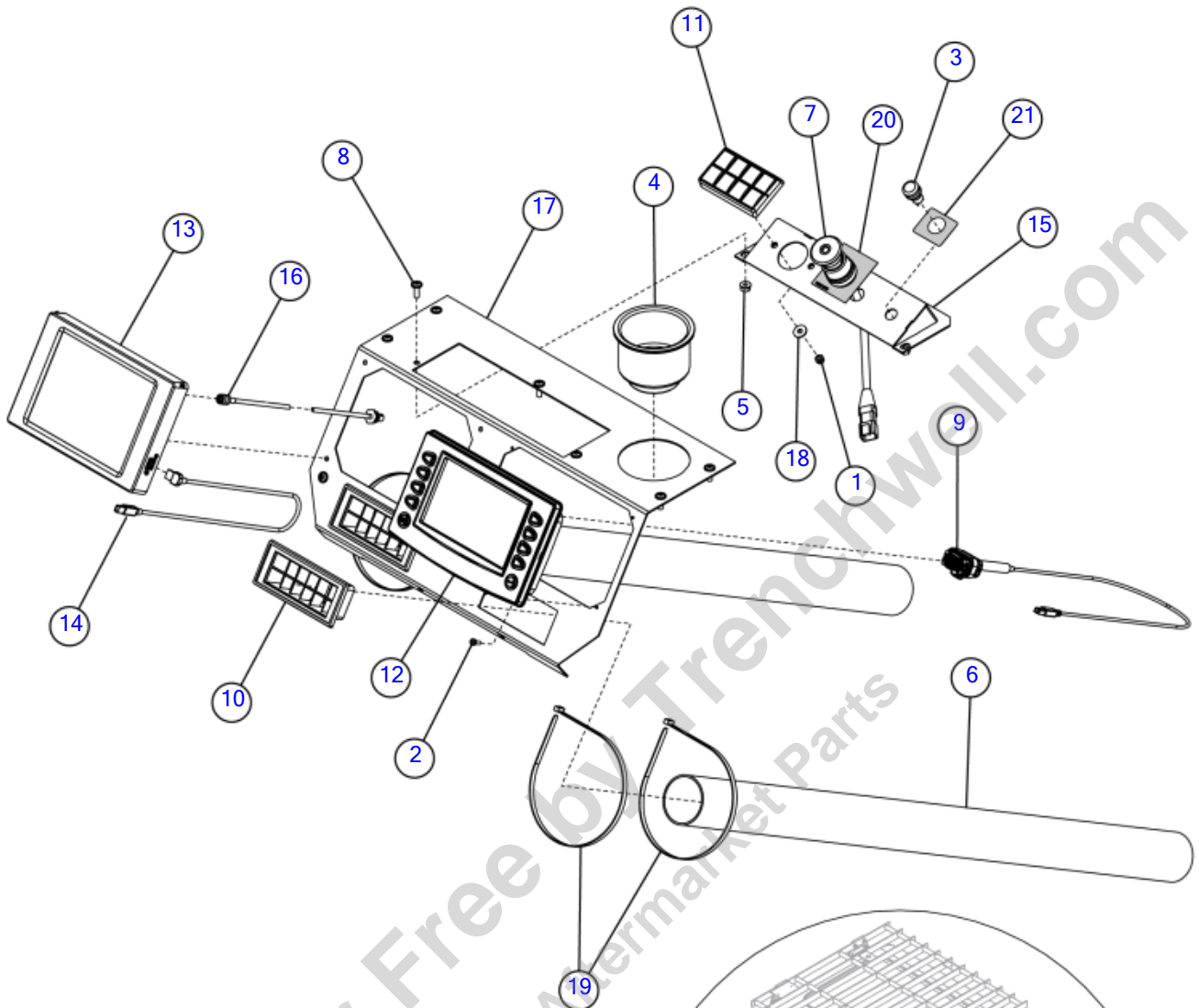


Illustration No. 296412216 - Not For Ordering

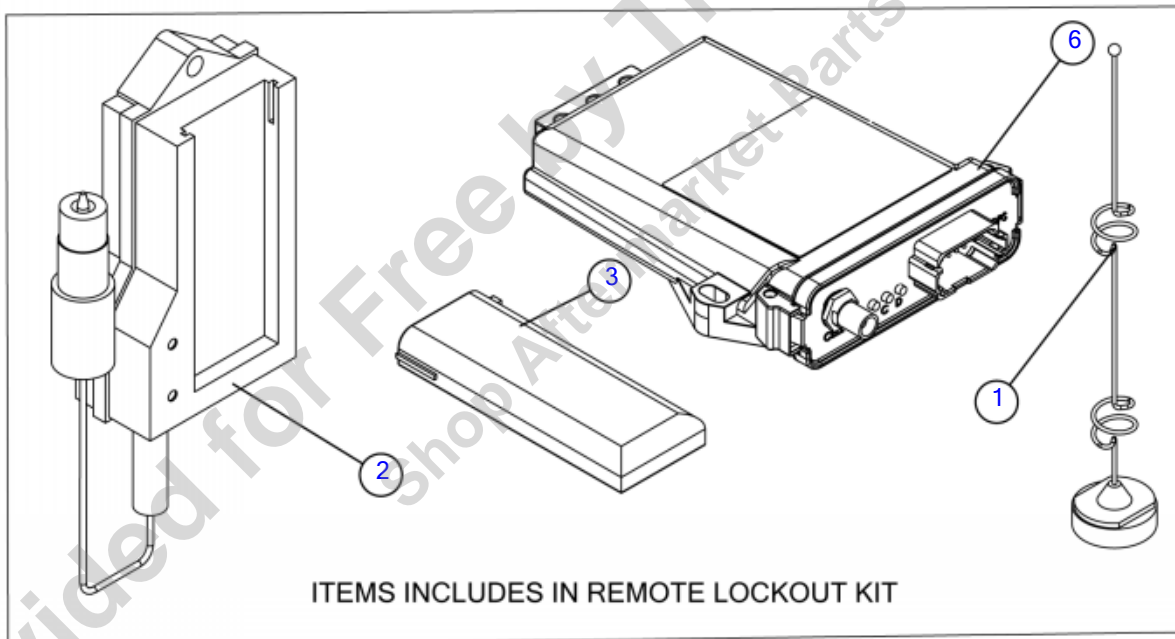
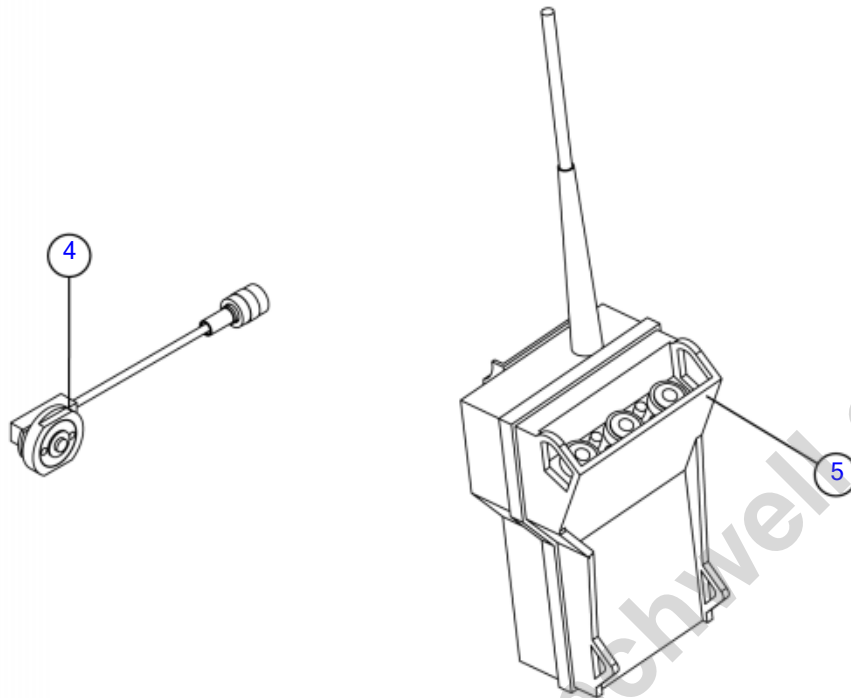
Front Display

Fig 07-16

REF NO.	PART NO.	DESCRIPTION	QTY.	REMARKS
1	128478001	NUT-HEX NYL M6-1.00 YZ D985	2	
2	130745083	SCREW - MCH-8-32 X .50-PHILLIPS-CZ	4	
3	260766001	SWITCH - MOM BUTTON NO	1	
4	296296557	CUP HOLDER - LARGE	1	
5	296300848	NUT-HEXFLGTL-.25-20-G-YZ	4	
6	296315172	HOSE-AIRCONDITIONING, RT. FRONT	2	
7	296333754	ESTOP - HEAVY DUTY N/C and N/O	1	
8	296344855	SCREW - 1/4-20 X 3/4 FLNG BUT SOC YZ	8	
9	296403455	HARNESS-DISPLAY INTERFACE, PV780	1	
10	296351517	LOUVER-RECT. 2.53 X 5.31	2	
11	296372556	KEYPAD-CNTR CLIMATE CONTROL COMMON PLATFORM	1	
12	296376824	DISPLAY-FW MURPHY PV780 STANDARD	1	
13	296376827	AURORA PANEL MOUNT 8.4" DIGITRAK SERIES DISPLAY	1	
14	296395540	CABLE-USB DOWN ANGLE 90	1	
15	296412217	WELDMENT - KEYPAD / ESTOP MOUNT	1	
16	296435322	CABLE-RG-58 BNC MALE X TNC PLUG 215"	1	
17	296443973	PLATE - CONSOLE DISPLAY	1	
18	507086006	WASHER-FLAT,M6, LARGE RIM, DIN9021	2	
19	58151001	STRAP-CABLE TIE-T120R-0 15"	4	
20	7000C073	DECAL - E-STOP	1	
21	700IG434	DECAL-CONTROL, PUSH TO START	1	

Remote Lockout (SN 101-839)

Fig 07-17



Remote Lockout (SN 101-839)

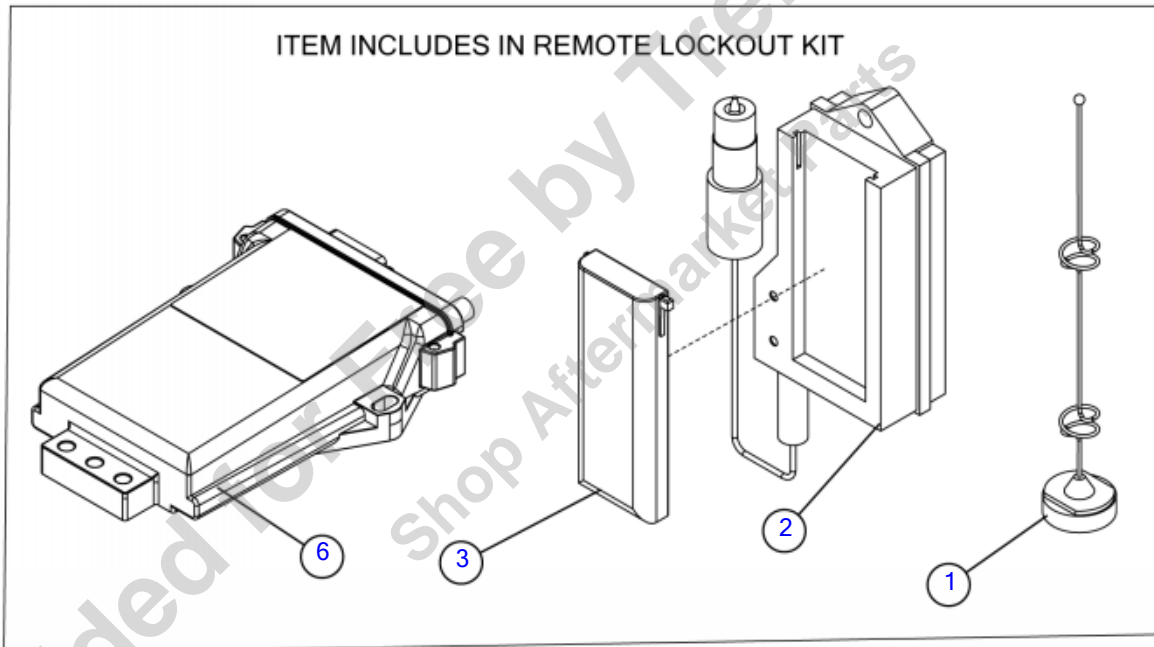
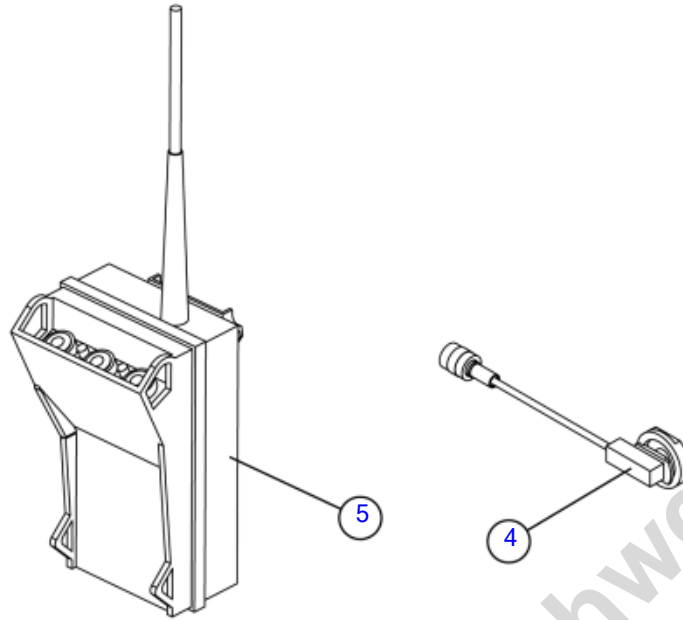
Fig 07-17

REF NO.	PART NO.	DESCRIPTION	QTY.	REMARKS
1	296272382	ANTENNA - 2400MHZ 1/4 WAVE	1	
2	296272392	CHARGER, 12-VOLT NBB	1	
3	296272400	BATTERY - 1000MA NBB	1	
4	296447052	CABLE-RG58/U MOTOROLA ANTENNA	1	
5	296481438	ASM - R3 LOCKOUT INT V2	1	
6	296481446	ASM - B626LK7, UNIVERSAL INT	1	

Provided for Free by Trenchwell.com
Shop Aftermarket Parts

Remote Lockout (SN 840-)

Fig 07-17R01



Remote Lockout (SN 840-)

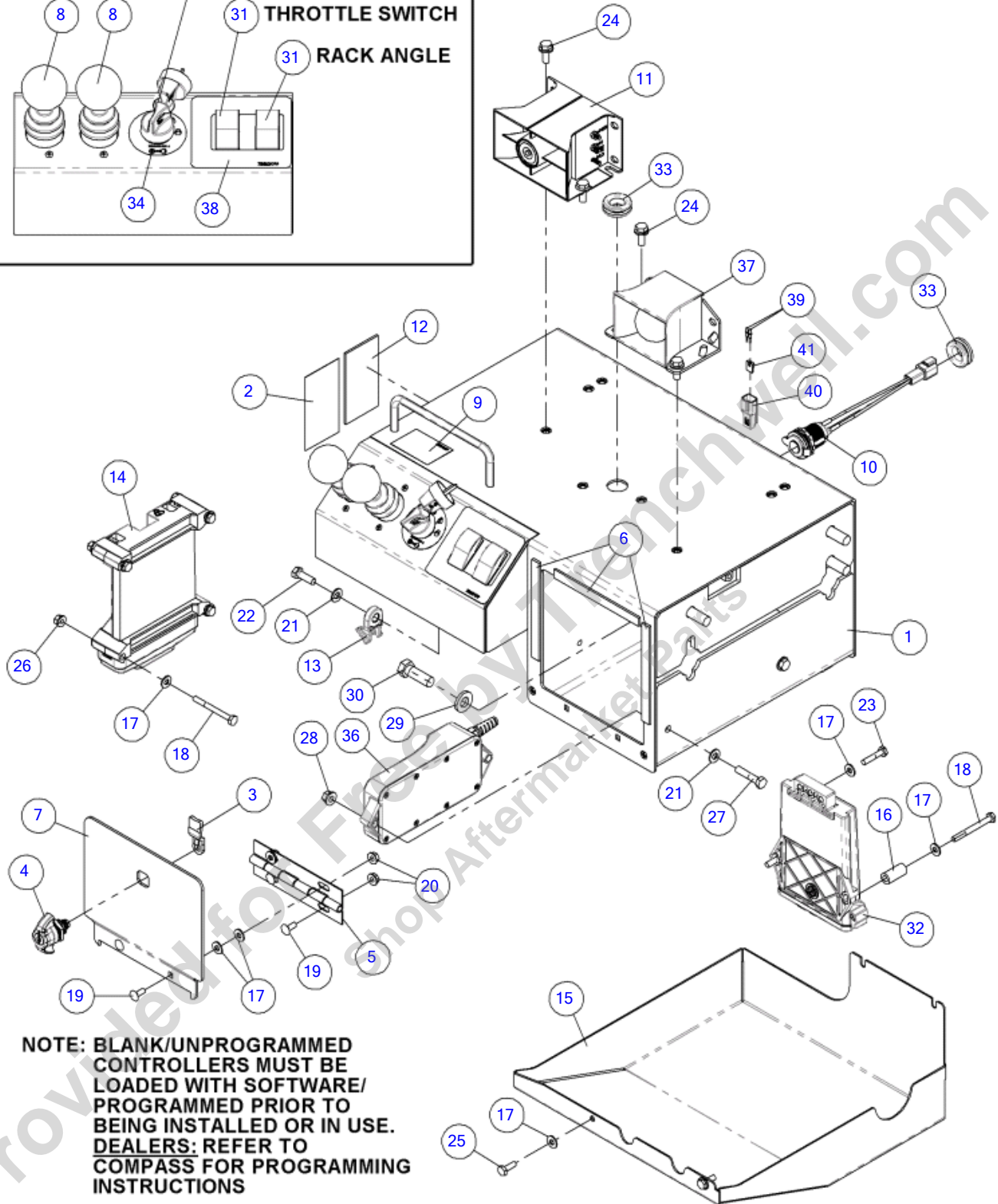
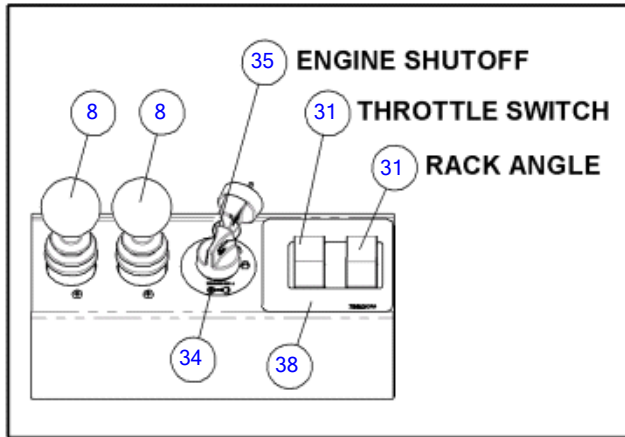
Fig 07-17R01

REF NO.	PART NO.	DESCRIPTION	QTY.	REMARKS
1	296272382	ANTENNA - 2400MHZ 1/4 WAVE	1	
2	296272392	CHARGER, 12-VOLT NBB	1	
3	296272400	BATTERY - 1000MA NBB	1	
4	296447052	CABLE-RG58/U MOTOROLA ANTENNA	1	
5	296481438	ASM - R3 LOCKOUT INT V2	1	
6	296521320	ASM - B626LK7, UNIVERSAL	1	

Provided for Free by Trenchwell.com
Shop Aftermarket Parts

Rear Transport Station (SN 101-277)

Fig 07-18



NOTE: BLANK/UNPROGRAMMED CONTROLLERS MUST BE LOADED WITH SOFTWARE/PROGRAMMED PRIOR TO BEING INSTALLED OR IN USE. DEALERS: REFER TO COMPASS FOR PROGRAMMING INSTRUCTIONS

Illustration No: 296443878 - Not For Ordering

Rear Transport Station (SN 101-277)

Fig 07-18

REF NO.	PART NO.	DESCRIPTION	QTY.	REMARKS
1	296443798	WELDMENT - TRANSPORT STATION	1	
2	7000C446	DECAL - NO WELD	1	Domestic
2	700IC446	DECAL - NO WELD	1	International
3	296306077	CAM - LOCK 12MM	1	
4	163642892	CAM-LATCH LOCKABLE WING KNOB	1	
5	212832001	HINGE-FUEL FILLER DOOR	1	
6	282764001	WEATHER STRIP 75 FT PER ROLL	3	
7	296379793	PLATE - REMOTE DOOR	1	
8	296469908	ASSEMBLY - PQ M115-2071 JOYSTICK + KNOB	2	Breakdown Fig 7-18T01
8	(180015983)	JOYSTICK-PROPORTIONAL-1 AXIS	2	Breakdown Fig 7-18T01
9	700IF527	DECAL-CONTROL TRACKS	1	Domestic/International
10	154677001	OUTLET - 12 VOLT	1	
11	296333869	ALARM-DUAL FUNCTION BACK-UP	1	
12	7000B304	DECAL - WARNING	1	Domestic
12	700IB304	DECAL - WARNING	1	International
13	296276018	MOUNT HELLER MANN TITON	1	
14	631863125	CONTROLLER -MC50-110 (UNPROGRAMMED)	1	BLANK/UNPROGRAMMED
15	296412094	WELDMENT - RACK CONTROLLER SHIELD	1	
16	296307438	RD/TB - .563 O.D. X .125W X 1.188	2	
17	235716001	WASHER - FLATSTRL - .25 -.28 X .63 - .06 - CZ	13	
18	510300024	SCREW-HCS-.25-20X2.50-GR5-YZ	6	
19	373005	BOLT-1/4-20X5/8 GR5 CARRIAGE	4	
20	1809005	NUT-1/4 SM FLGE T.L.	4	
21	235714001	WASHER - 5/16 FLAT, ZN	3	
22	238209001	BOLT-5/16-18X1 GR8 HEX ZINC YC	1	
23	250008001	BOLT 1/4-20 X 1 1/4 ZINC PL	1	
24	296300762	SCREW HFS .31 - 18 X .75 GR8 YZ	4	
25	510300006	SCREW - HCS .25 - 20 X .75 GR5 YZ	2	
26	296300848	NUT-HEXFLGTL-.25-20-G-YZ	4	
27	510301014	SCREW HCS .31 18 X 1.50 GR5 YZ	2	
28	296300849	NUT-HEXFLGTL-.31-18-G-YZ	2	
29	127362001	WASHER-1/2 HARD.FLAT/PLATED	4	
30	235721001	BOLT-1/2-13X1 1/2 GR8 ZINC PLT	4	
31	257541001	SWITCH-SPDT 3 POSITION MOM	2	
32	296270163	ASM, STRIKEALERT	1	
33	1865043	GROMMET-.75IDX1.38OD-.19GROOVE	2	
34	700IG329	DECAL-THREE WAY IGNITION	1	Domestic/International
35	296347225	SWITCH IGNITION IP67 WITH DT06 6S	1	
36	296365763	ASM - LI-ION BATTERY CHARGER	1	
37	296290621	HORN - FORWARD	1	
38	700IG199	DECAL-THROTTLE AND RACK ANGLE	1	Domestic/International
39	87696001	CONTACT PIN - SIZE 16, SOLID	2	
40	125286001	RECEPTACLE-DEUTSCH 2 PIN	1	
41	276870001	WEDGE - 2 PIN RECEPTACLE	1	

Rear Transport Station (SN 278-319)

Fig 07-18R01

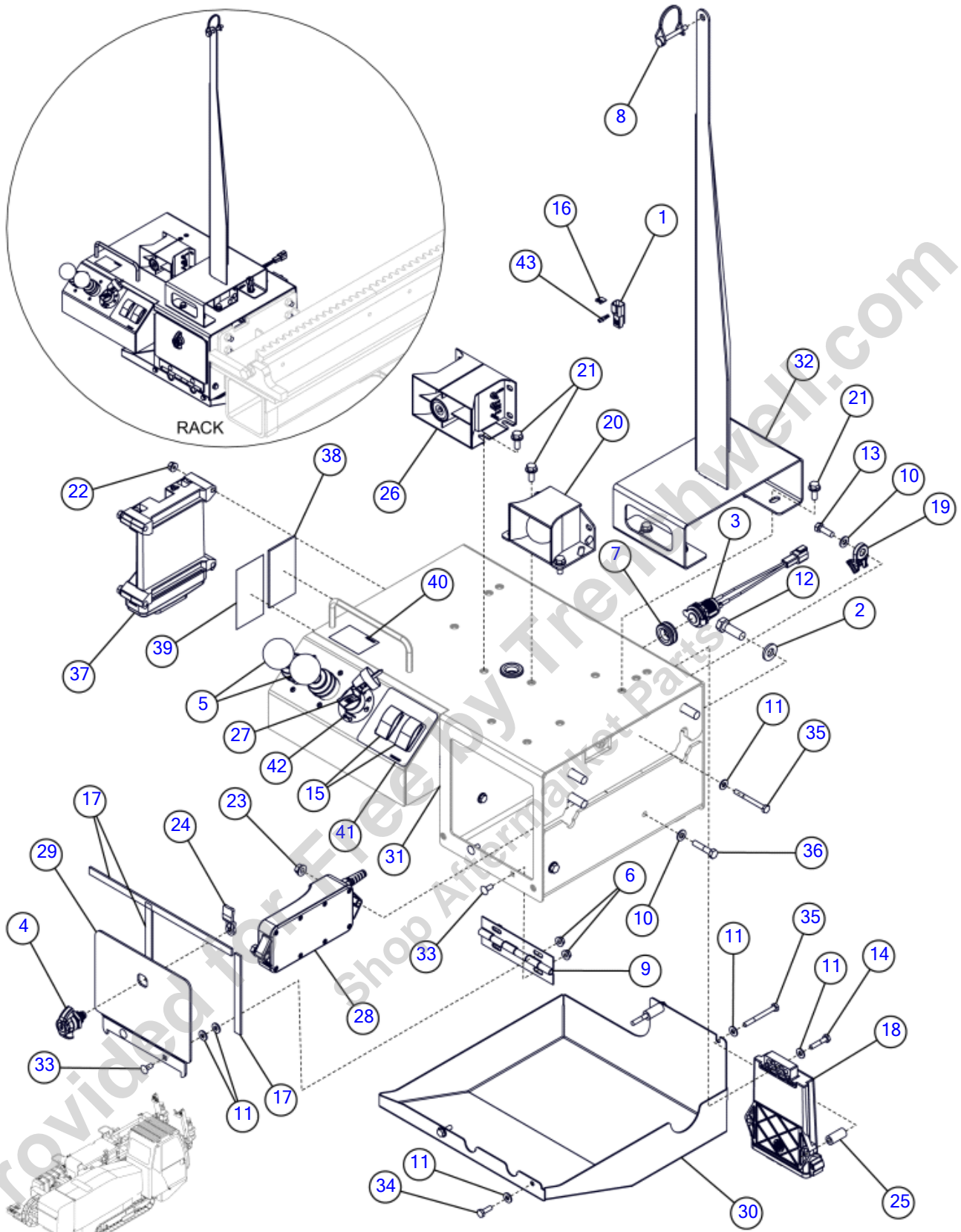


Illustration No. 296443878 - Not For Ordering

Rear Transport Station (SN 278-319)

Fig 07-18R01

REF NO.	PART NO.	DESCRIPTION	QTY.	REMARKS
1	125286001	RECEPTACLE-DEUTSCH 2 PIN	1	
2	127362001	WASHER-1/2 HARD.FLAT/PLATED	4	
3	154677001	OUTLET - 12 VOLT	1	
4	163642892	CAM-LATCH LOCKABLE WING KNOB	1	
5	296469908	ASSEMBLY - PQ M115-2071 JOYSTICK + KNOB	2	Breakdown Fig. 7-18T01
5	(180015983)	JOYSTICK-PROPORTIONAL-1 AXIS	2	Breakdown Fig. 7-18T01
6	1809005	NUT-1/4 SM FLGE T.L.	4	
7	1865043	GROMMET-.75IDX1.38OD-.19GROOVE	2	
8	2108001	LYNCH PIN - 1/4 X 2	1	(278-)
9	212832001	HINGE-FUEL FILLER DOOR	1	
10	235714001	WASHER - 5/16 FLAT, ZN	3	
11	235716001	WASHER - FLATSTRL - .25 - .28 X .63 - .06 - CZ	13	
12	235721001	BOLT-1/2-13X1 1/2 GR8 ZINC PLT	4	
13	238209001	BOLT-5/16-18X1 GR8 HEX ZINC YC	1	
14	250008001	BOLT 1/4-20 X 1 1/4 ZINC PL	1	
15	257541001	SWITCH-SPDT 3 POSITION MOM	2	
16	276870001	WEDGE - 2 PIN RECEPTACLE	1	
17	282764001	WEATHER STRIP 75 FT PER ROLL	3	
18	296270163	ASM, STRIKEALERT	1	
19	296276018	MOUNT HELLER MANN TITON	1	
20	296290621	HORN - FORWARD	1	
21	296300762	SCREW HFS .31 - 18 X .75 GR8 YZ	8	(278-)
22	296300848	NUT-HEXFLGTL-.25-20-G-YZ	4	
23	296300849	NUT-HEXFLGTL-.31-18-G-YZ	2	
24	296306077	CAM - LOCK 12MM	1	
25	296307438	RD/TB - .563 O.D. X .125W X 1.188	2	
26	296333869	ALARM-DUAL FUNCTION BACK-UP	1	
27	296347225	SWITCH IGNITION IP67 WITH DT06 6S	1	
28	296365763	ASM - LI-ION BATTERY CHARGER	1	
29	296379793	PLATE - REMOTE DOOR	1	
30	296412094	WELDMENT - RACK CONTROLLER SHIELD	1	
31	296443798	WELDMENT - TRANSPORT STATION	1	(278-)
32	296463349	WELDMENT-CONE MOUNT	1	(278-)
33	373005	BOLT-1/4-20X5/8 GR5 CARRIAGE	4	
34	510300006	SCREW - HCS .25 - 20 X .75 GR5 YZ	2	
35	510300024	SCREW-HCS-.25-20X2.50-GR5-YZ	6	
36	510301014	SCREW HCS .31 18 X 1.50 GR5 YZ	2	
37	631863125	CONTROLLER -MC50-110 (UNPROGRAMMED)	1	BLANK/UNPROGRAMMED
38	7000B304	DECAL - WARNING	1	Domestic
38	700IB304	DECAL - WARNING	1	Interanational
39	7000C446	DECAL - NO WELD	1	Domestic
39	700IC446	DECAL - NO WELD	1	Interanational
40	700IF527	DECAL-CONTROL TRACKS	1	
41	700IG199	DECAL-THROTTLE AND RACK ANGLE	1	
42	700IG329	DECAL-THREE WAY IGNITION	1	
43	87696001	CONTACT PIN - SIZE 16, SOLID	2	

Rear Transport Station (SN 320-376)

Fig 07-18R02

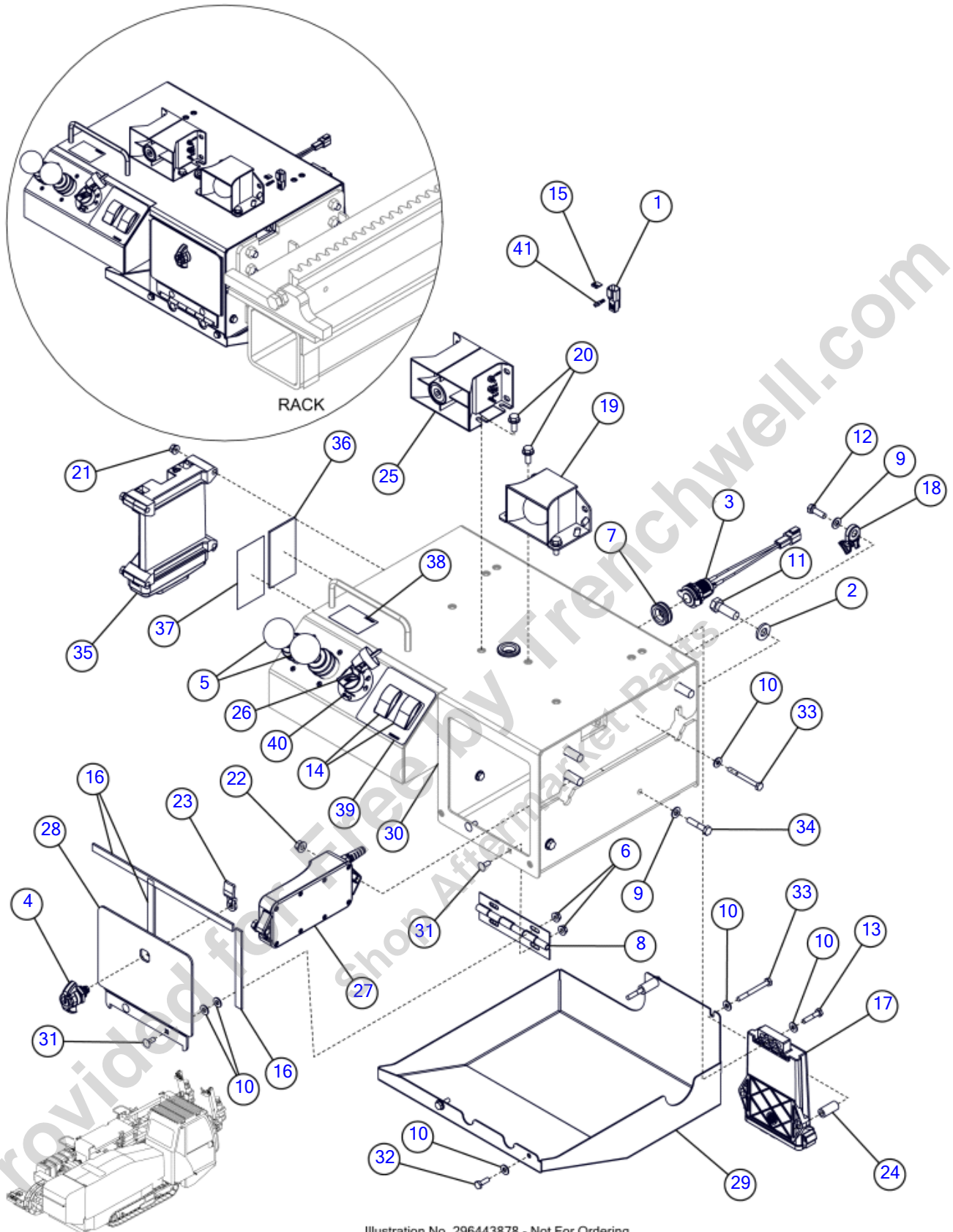


Illustration No. 296443878 - Not For Ordering

Rear Transport Station (SN 320-376)

Fig 07-18R02

REF NO.	PART NO.	DESCRIPTION	QTY.	REMARKS
1	125286001	RECEPTACLE-DEUTSCH 2 PIN	1	
2	127362001	WASHER-1/2 HARD.FLAT/PLATED	4	
3	154677001	OUTLET - 12 VOLT	1	
4	163642892	CAM-LATCH LOCKABLE WING KNOB	1	
5	296469908	ASSEMBLY - PQ M115-2071 JOYSTICK + KNOB	2	Breakdown Fig. 7-18T01
5	(180015983)	JOYSTICK-PROPORTIONAL-1 AXIS	2	Breakdown Fig. 7-18T01
6	1809005	NUT-1/4 SM FLGE T.L.	4	
7	1865043	GROMMET-.75IDX1.38OD-.19GROOVE	2	
8	212832001	HINGE-FUEL FILLER DOOR	1	
9	235714001	WASHER - 5/16 FLAT, ZN	3	
10	235716001	WASHER - FLATSTRL - .25 - .28 X .63 - .06 - CZ	13	
11	235721001	BOLT-1/2-13X1 1/2 GR8 ZINC PLT	4	
12	238209001	BOLT-5/16-18X1 GR8 HEX ZINC YC	1	
13	250008001	BOLT 1/4-20 X 1 1/4 ZINC PL	1	
14	257541001	SWITCH-SPDT 3 POSITION MOM	2	
15	276870001	WEDGE - 2 PIN RECEPTACLE	1	
16	282764001	WEATHER STRIP 75 FT PER ROLL	3	
17	296270163	ASM, STRIKEALERT	1	
18	296276018	MOUNT HELLER MANN TITON	1	
19	296290621	HORN - FORWARD	1	
20	296300762	SCREW HFS .31 - 18 X .75 GR8 YZ	4	
21	296300848	NUT-HEXFLGTL-.25-20-G-YZ	4	
22	296300849	NUT-HEXFLGTL-.31-18-G-YZ	2	
23	296306077	CAM - LOCK 12MM	1	
24	296307438	RD/TB - .563 O.D. X .125W X 1.188	2	
25	296333869	ALARM-DUAL FUNCTION BACK-UP	1	
26	296347225	SWITCH IGNITION IP67 WITH DT06 6S	1	
27	296365763	ASM - LI-ION BATTERY CHARGER	1	
28	296379793	PLATE - REMOTE DOOR	1	
29	296412094	WELDMENT - RACK CONTROLLER SHIELD	1	
30	296443798	WELDMENT - TRANSPORT STATION	1	(320-)
31	373005	BOLT-1/4-20X5/8 GR5 CARRIAGE	4	
32	510300006	SCREW - HCS .25 - 20 X .75 GR5 YZ	2	
33	510300024	SCREW-HCS-.25-20X2.50-GR5-YZ	6	
34	510301014	SCREW HCS .31 18 X 1.50 GR5 YZ	2	
35	631863125	CONTROLLER -MC50-110 (UNPROGRAMMED)	1	BLANK/UNPROGRAMMED
36	7000B304	DECAL - WARNING	1	Domestic
36	700IB304	DECAL - WARNING	1	International
37	7000C446	DECAL - NO WELD	1	Domestic
37	700IC446	DECAL - NO WELD	1	International
38	700IF527	DECAL-CONTROL TRACKS	1	
39	700IG199	DECAL-THROTTLE AND RACK ANGLE	1	
40	700IG329	DECAL-THREE WAY IGNITION	1	
41	87696001	CONTACT PIN - SIZE 16, SOLID	2	

Rear Transport Station (SN 377-2018)

Fig 07-18R03

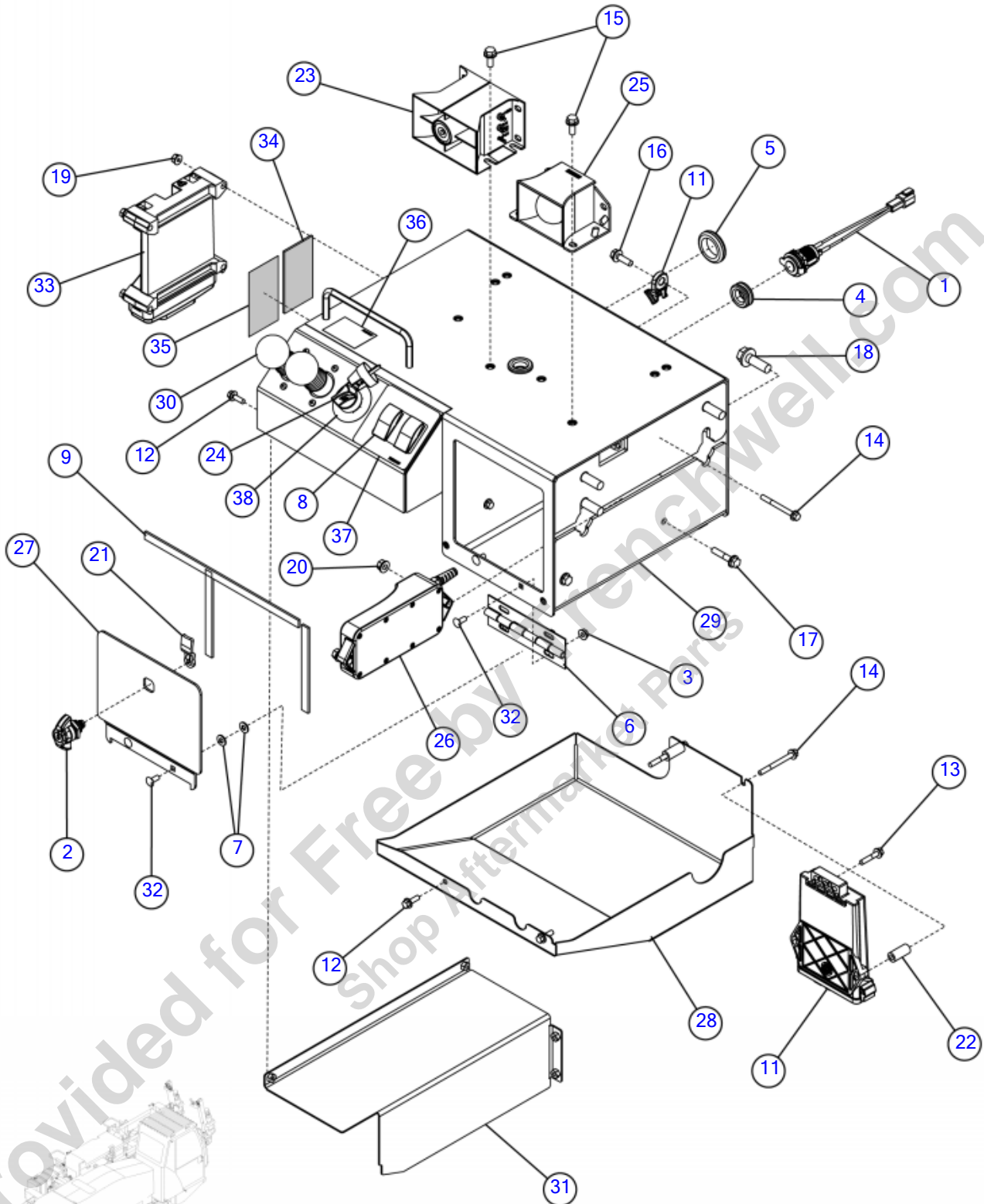


Illustration No. 296443878 - Not For Ordering

Rear Transport Station (SN 377-2018)

Fig 07-18R03

REF NO.	PART NO.	DESCRIPTION	QTY.	REMARKS
1	154677001	OUTLET - 12 VOLT	1	
2	163642892	CAM-LATCH LOCKABLE WING KNOB	1	
3	1809005	NUT-SMFLGTL-.25-20-G-CZ	4	
4	1865043	GROMMET-.75IDX1.38OD-.19GROOVE	2	
5	1865049	GROMMET-1.25IDX1.88OD-1/8GRV.	1	
6	212832001	HINGE-FUEL FILLER DOOR 6.00 X 2.00 SS	1	
7	235716001	WASHER - FLATSTRL - .25 -.28 X .63 - .06	4	
8	257541001	SWITCH-SPDT 3 POSITION MOM	2	
9	282764001	WEATHER STRIP 75 FT PER ROLL	3	
10	296270163	ASM, STRIKEALERT	1	
11	296276018	MOUNT HELLER MANN TITON	1	
12	296300753	SCREW-HFS-.25-20X.75-GR8	6	
13	296300755	SCREW HFS 0.25 20X1.25,GRI	1	
14	296300760	SCREW HFS .25 20X2.50 GRI	6	
15	296300762	SCREW HFS .31 - 18 X .75 GR8	4	
16	296300763	SCREW,HFS,.31,18X1.00,GR8	1	
17	296300765	SCREW FS .31-18X1.50 GR8	2	
18	296300790	SCREW HFS .50 13X1.50 GR8	4	
19	296300848	NUT-HEXFLGTL-.25-20-G	4	
20	296300849	NUT-HEXFLGTL-.31-18-G	2	
21	296306077	CAM - LOCK 12MM	1	
22	296307438	RD/TB - .563 O.D. X .125W X 1.188	2	
23	296333869	ALARM-DUAL FUNCTION BACK-UP	1	
24	296347225	SWITCH IGNITION IP67 WITH DT06 6S	1	
25	296365660	ASM - HORN FORWARD	1	
26	296365763	ASM - LI-ION BATTERY CHARGER	1	
27	296379793	PLATE - REMOTE DOOR	1	
28	296469739	WELDMENT - RACK CONTROLLER SHIELD	1	
29	296469744	WELDMENT - TRANSPORT STATION	1	
30	296469908	ASSEMBLY - PQ M115-2071 JOYSTICK + KNOB SN:000377--	2	Breakdown Fig. 7-18T01 (SN 377-)
31	296525271	WELDMENT - TRANSPORT SIDE	1	
32	373005	BOLT-1/4-20X5/8 GR5 CARRIAGE	4	
33	631863125	CONTROLLER -MC050-110 (UNPROGRAMMED)	1	
34	7000B304	DECAL - WARNING	1	Domestic
34	700IB304	DECAL - WARNING	1	International
35	7000C446	DECAL - NO WELD	1	Domestic
35	700IC446	DECAL - NO WELD	1	International
36	700IF527	DECAL-CONTROL TRACKS	1	
37	700IG199	DECAL-THROTTLE AND RACK ANGLE	1	
38	700IG329	DECAL-THREE WAY IGNITION	1	

Rear Transport Station (SN 2019-)

Fig 07-18R04

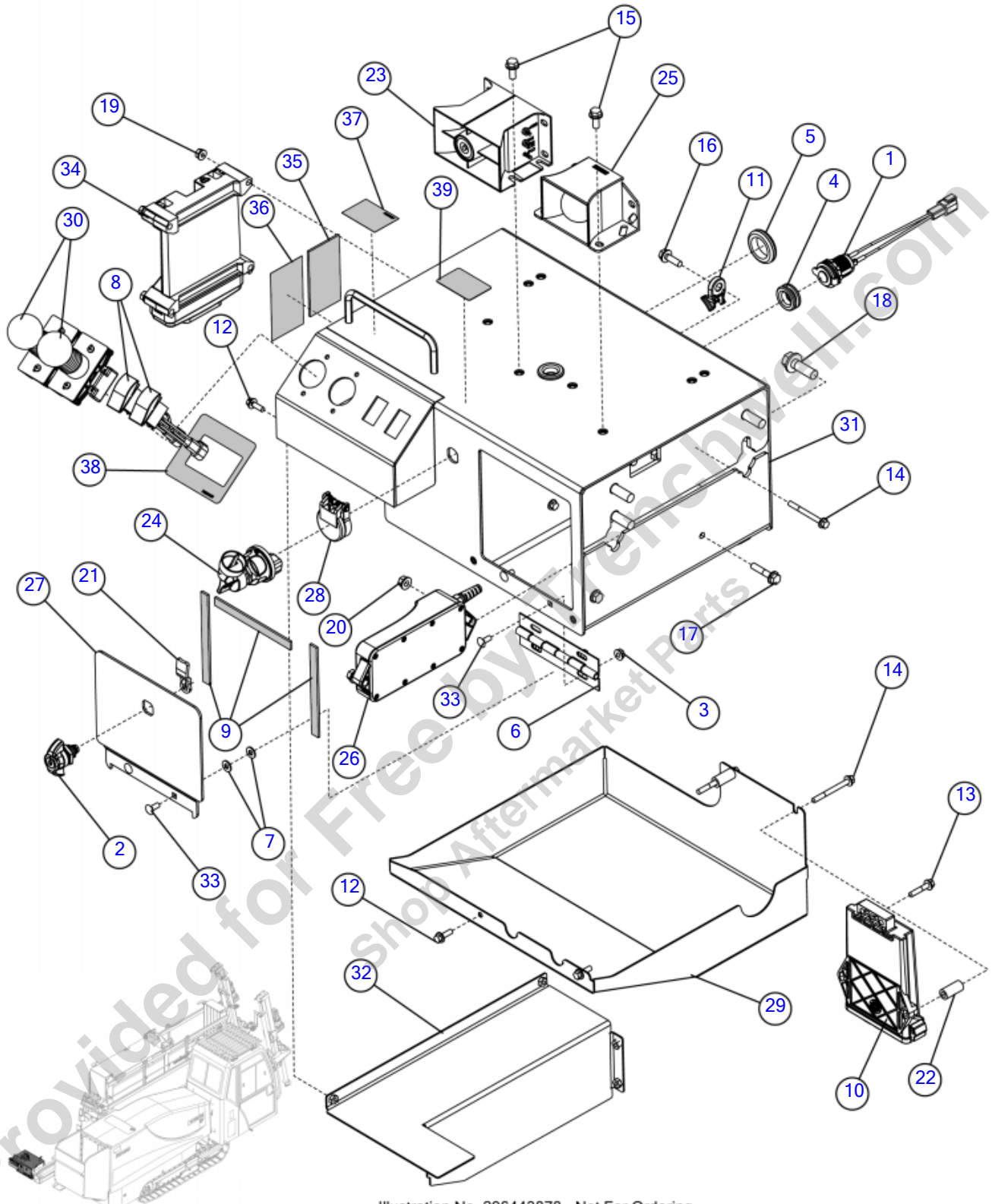


Illustration No. 296443878 - Not For Ordering

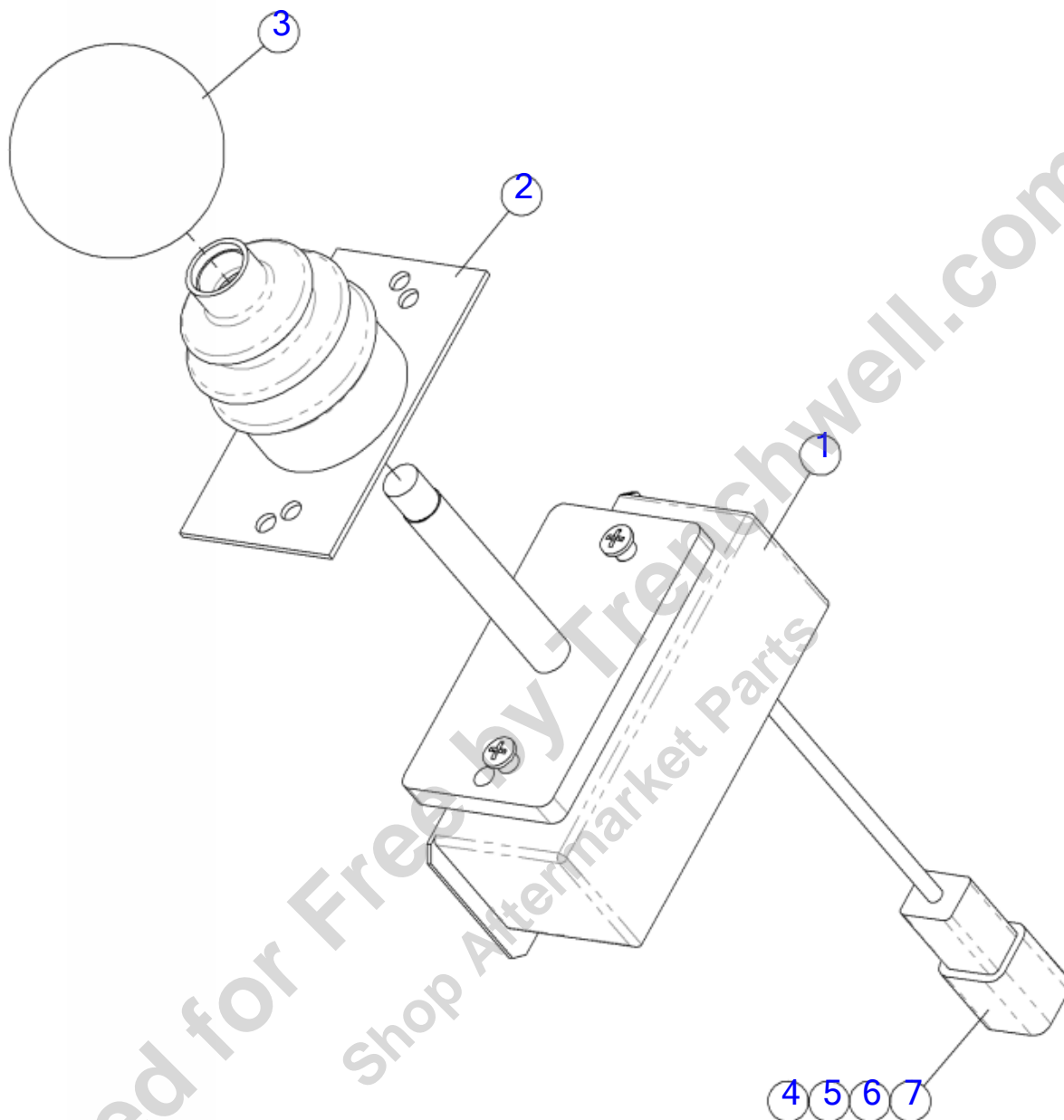
Rear Transport Station (SN 2019-)

Fig 07-18R04

REF NO.	PART NO.	DESCRIPTION	QTY.	REMARKS
1	154677001	OUTLET - 12 VOLT	1	
2	163642892	CAM-LATCH LOCKABLE WING KNOB	1	
3	1809005	NUT-SMFLGTL-.25-20-G-CZ	4	
4	1865043	GROMMET-.75IDX1.38OD-.19GROOVE	2	
5	1865049	GROMMET-1.25IDX1.88OD-1/8GRV.	1	
6	212832001	HINGE-FUEL FILLER DOOR 6.00 X 2.00 SS	1	
7	235716001	WASHER - FLATSTRL - .25 -.28 X .63 - .06	4	
8	257541001	SWITCH-SPDT 3 POSITION MOM	2	
9	282764001	WEATHER STRIP 75 FT PER ROLL	3	
10	296270163	ASM, STRIKEALERT	1	
11	296276018	MOUNT HELLER MANN TITON	1	
12	296300753	SCREW-HFS-.25-20X.75-GR8	6	
13	296300755	SCREW HFS 0.25 20X1.25,GRI	1	
14	296300760	SCREW HFS .25 20X2.50 GRI	6	
15	296300762	SCREW HFS .31 - 18 X .75 GR8	4	
16	296300763	SCREW,HFS,.31,18X1.00,GR8	1	
17	296300765	SCREW FS .31-18X1.50 GR8	2	
18	296300790	SCREW HFS .50 13X1.50 GR8	4	
19	296300848	NUT-HEXFLGTL-.25-20-G	4	
20	296300849	NUT-HEXFLGTL-.31-18-G	2	
21	296306077	CAM - LOCK 12MM	1	
22	296307438	RD/TB - .563 O.D. X .125W X 1.188	2	
23	296333869	ALARM-DUAL FUNCTION BACK-UP	1	
24	296347225	SWITCH IGNITION IP67 WITH DT06 6S	1	
25	296365660	ASM - HORN FORWARD	1	
26	296365763	ASM - LI-ION BATTERY CHARGER	1	
27	296379793	PLATE - REMOTE DOOR	1	
28	296459147	ASSY-IGNITION SWITCH COVER	1	
29	296469739	WELDMENT - RACK CONTROLLER SHIELD	1	
30	296469908	ASSEMBLY - PQ M115-2071 JOYSTICK + KNOB SN:000377--	2	Breakdown Fig. 7-18T01R01 (SN 377-)
31	296578711	WELDMENT - TRANSPORT STATION	1	
32	296578713	WELDMENT - TRANSPORT SIDE	1	
33	373005	BOLT-1/4-20X5/8 GR5 CARRIAGE	4	
34	631863125	CONTROLLER -MC050-110 (UNPROGRAMMED)	1	
35	7000B304	DECAL - WARNING	1	Domestic
35	700IB304	DECAL - WARNING	1	International
36	7000C446	DECAL - NO WELD	1	Domestic
36	700IC446	DECAL - NO WELD	1	International
37	700IF527	DECAL-CONTROL TRACKS	1	
38	700IG199	DECAL-THROTTLE AND RACK ANGLE	1	
39	700IH534	DECAL-IGNITION SWITCH	1	

Breakdown-Joystick (SN 320-376)

Fig 07-18T01



Breakdown-Joystick (SN 320-376)

Fig 07-18T01

REF NO.	PART NO.	DESCRIPTION	QTY.	REMARKS
1	296469908	ASSEMBLY - PQ M115-2071 JOYSTICK + KNOB	1	
1	(180015983)	JOYSTICK-PROPORTIONAL-1 AXIS	1	
2	180018043	BOOT-RUBBER JOYSTICK	1	
3	180015987	KNOB-1 7/8" BALL	1	
4	700000011	4 WAY RECEPTACLE - DTM SERIES	1	
5	700000122	4 CONTACT RECEPTACLE - WEDGE LOCK	1	Not Shown - Located Inside - Item No. 4
6	276906001	SIZE 20, SEALING PLUG	1	Not Shown - Located Inside - Item No. 4
7		CONTACTS - PIN, GOLD DEUTSCH	3	Not Shown - Located Inside - Item No. 4
	296469908	ASSEMBLY - PQ M115-2071 JOYSTICK + KNOB		Includes All Items Listed Above
	(180015983)	JOYSTICK-PROPORTIONAL-1 AXIS		Includes All Items Listed Above

Provided for Free by Trenchwell.com
Shop Aftermarket Parts

Breakdown-Joystick (SN 377-)

Fig 07-18T01R01

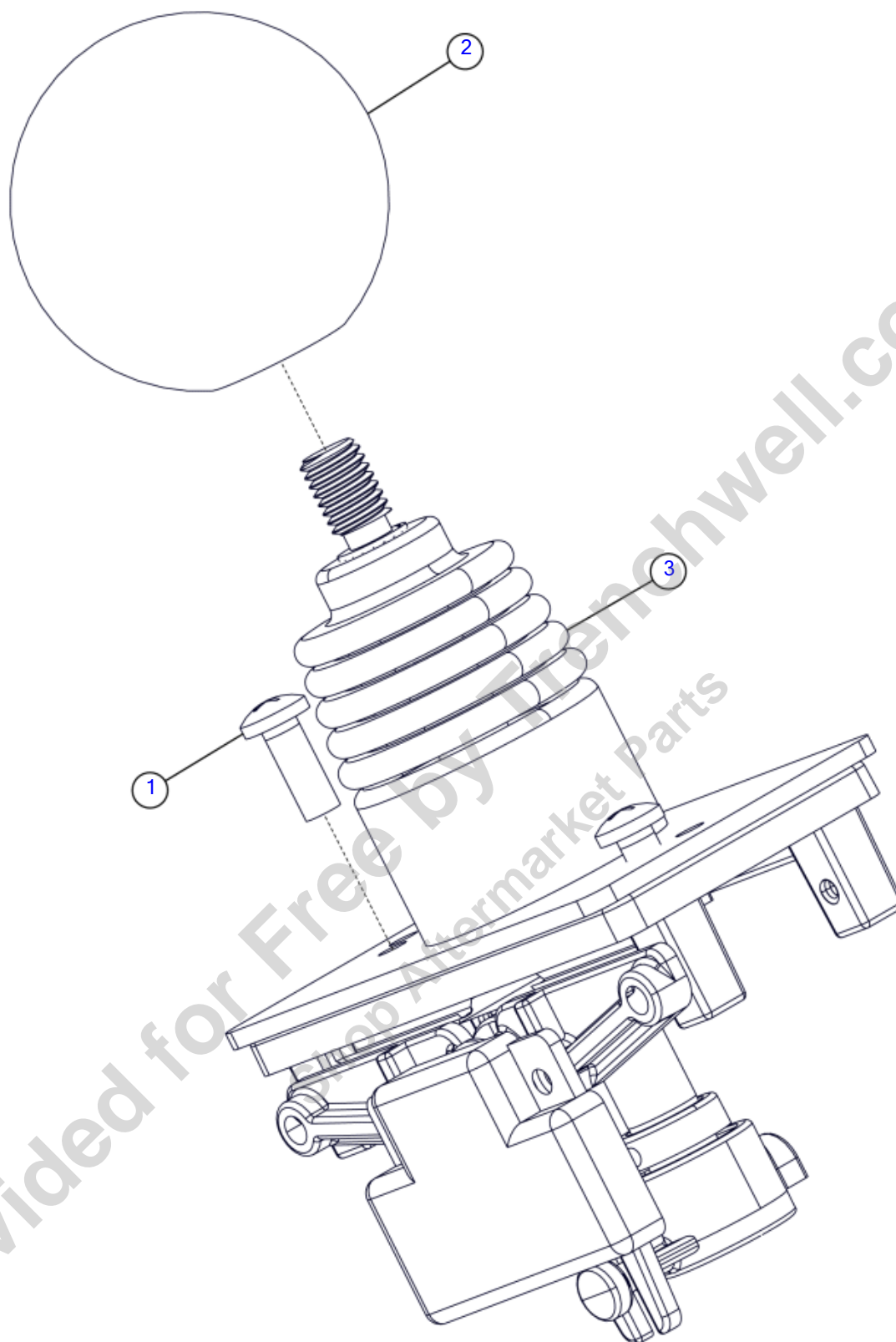


Illustration No. 296469908 - Not For Ordering

Breakdown-Joystick (SN 377-)

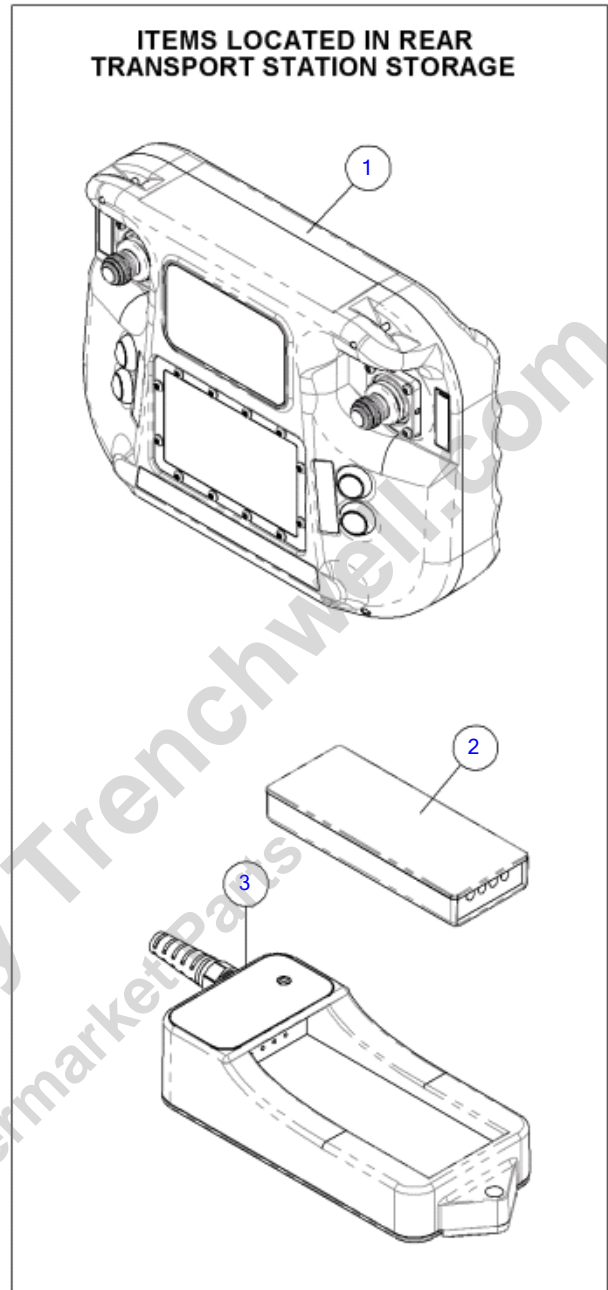
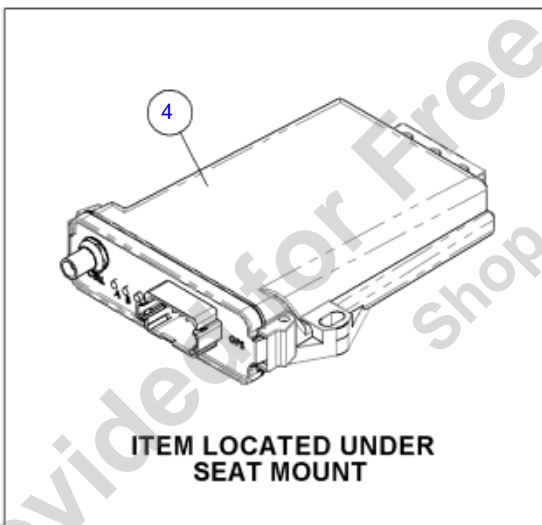
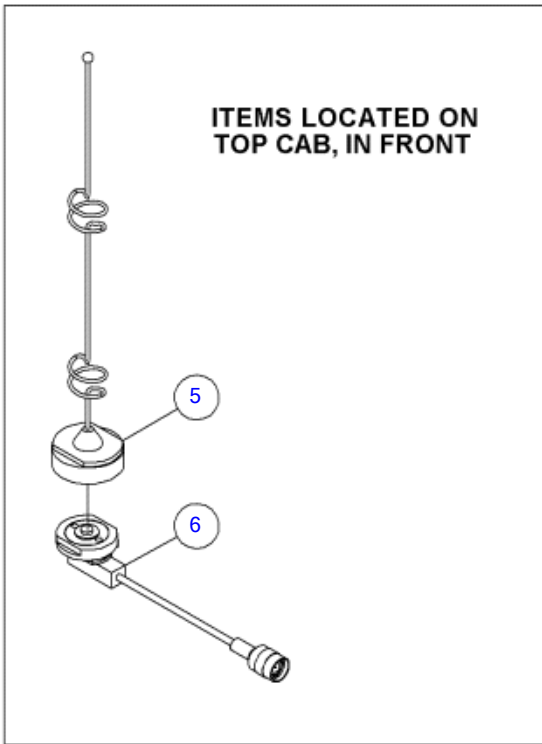
Fig 07-18T01R01

REF NO.	PART NO.	DESCRIPTION	QTY.	REMARKS
1	141364001	SCREW-10-32 X 1/2 CRPHM	2	
2	180015987	KNOB-1 7/8" BALL	1	
3	296469818	JOYSTICK - SINGLE AXIS M8 x 1.25 THREADED SHAFT	1	
	296469908	ASSEMBLY - PQ M115-2071 JOYSTICK + KNOB	1	Includes All Items In Figure (377-)

Provided for Free by Trenchwell.com
Shop Aftermarket Parts

Remote Tracking

Fig 07-19



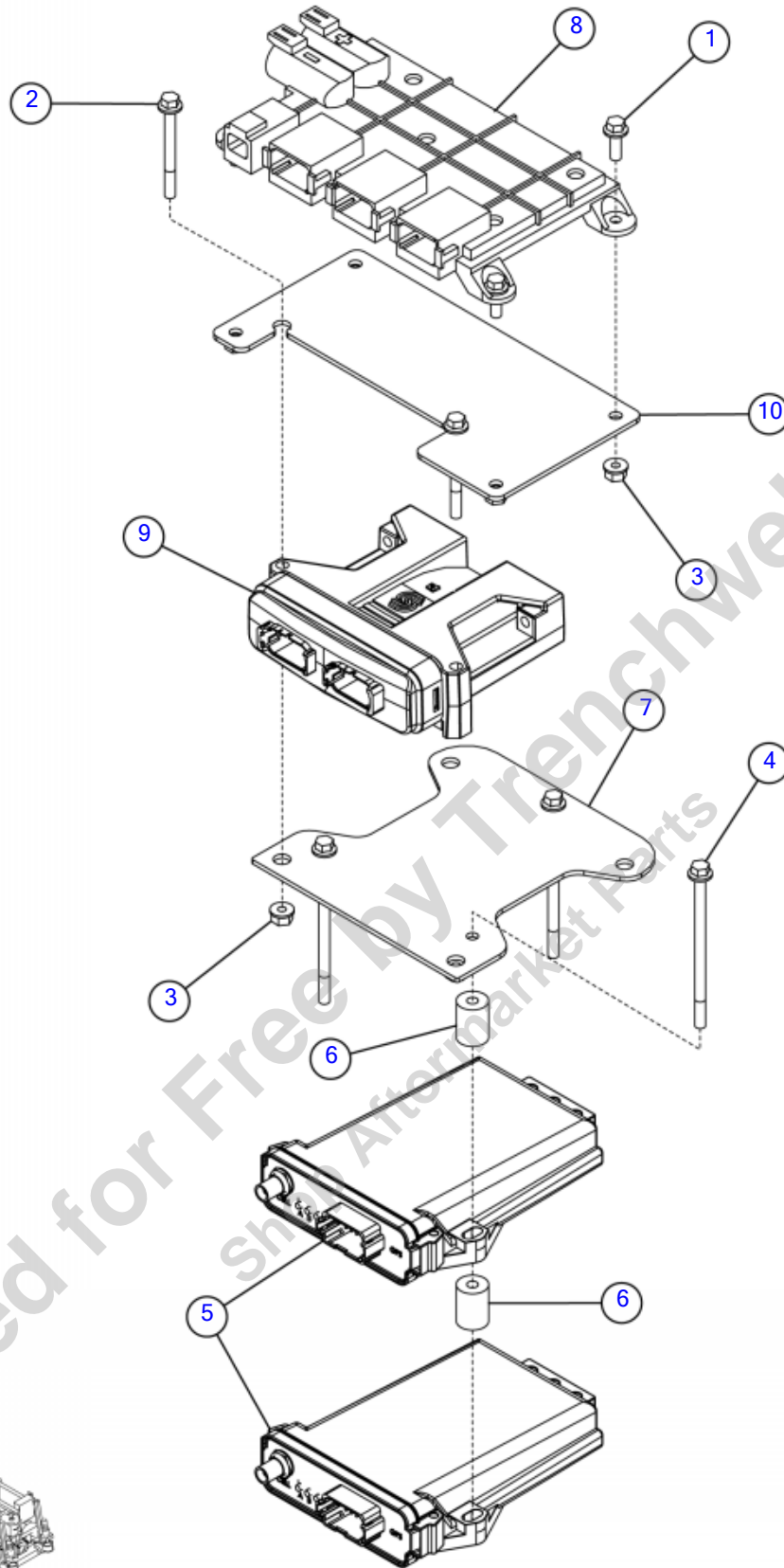
Remote Tracking

Fig 07-19

REF NO.	PART NO.	DESCRIPTION	QTY.	REMARKS
1	296365728	ASM - R625J TRACKING REMOTE	1	
2	296365850	ASM - LI-ION BATTERY, 7.4V 2800MAH, SEALED	1	
3	296365763	ASM - LI-ION BATTERY CHARGER	1	
4	296365816	ASM - UNIV BASE B425-A LP EXT ANT	1	
5	296272382	ANTENNA - 2400MHZ 1/4 WAVE	1	
6	296447052	CABLE-RG58/U MOTOROLA ANTENNA	1	

Provided for Free by Trenchwell.com
Shop Aftermarket Parts

Controller
Fig 07-20



Provided for Free by Trenchwell.com
Share Aftermarket Parts

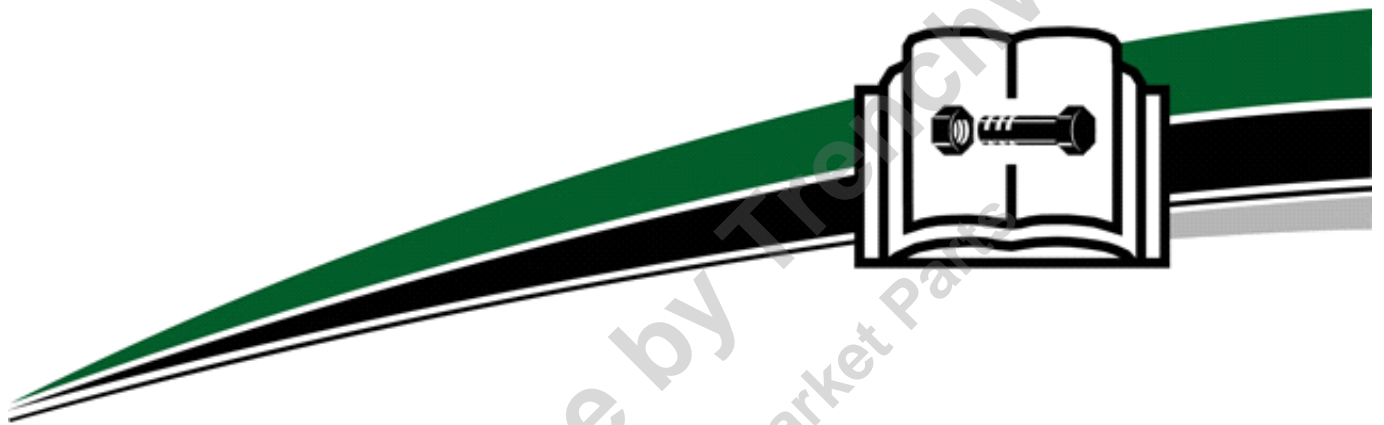
Illustration No. 296414004 - Not For Ordering

Controller
Fig 07-20

REF NO.	PART NO.	DESCRIPTION	QTY.	REMARKS
1	296300753	SCREW-HFS-.25-20X.75-GR8-YZ	4	
2	296300760	SCREW HFS .25 20X2.50 GRI YZ	2	
3	296300848	NUT-HEXFLGTL-.25-20-G-YZ	6	
4	296300923	SCREW HFS .25 20X4.25 GR8 YZ	3	
5	296304680	B324LK7, FREQ.BAND, TOP ASM	2	
6	296305579	SPACER - 0.75 OD X 0.26 ID X 1"	6	
7	296351697	MOUNT - CONTROLLER ACS TO MC	1	
8	296376828	MODULE - FW MURPHY POWER DISTRIBUTION 24V	1	
9	296376829	CONTROLLER-PLUS +1 MC024-130	1	
10	296412248	PLATE - PDM MOUNT D24/D36 CAB	1	

Provided for Free by Trenchwell.com
Shop Aftermarket Parts

Rack & Carriage



Provided for Free by TroyChowell.com
Shop Aftermarket Parts

Rack & Carriage

Rack	Fig	08-01
Rack Lift Cylinders	Fig	08-02
Breakdown-Rack Lift Cylinder (SN 101-225)	Fig	08-02T01
Rack Lift Cylinder (SN 226-)	Fig	08-02R01
Breakdown-Lift Cylinder (SN 226-)	Fig	08-02T01R01
Thrust Carriage (SN 101-579)	Fig	08-03
Thrust Carriage (SN 580-830)	Fig	08-03R01
Thrust Carriage (SN 831-)	Fig	08-03R02
Thrust Motors (SN 101-830)	Fig	08-04
Breakdown-Thrust Motor	Fig	08-04T01
Thrust Motors (SN 831-)	Fig	08-04R01
Breakdown-Thrust Motor (SN 831-)	Fig	08-04T01R01
Breakdown-Thrust Motor (SN 831-)	Fig	08-04T02
Breakdown-Thrust Motor w/ Brake	Fig	08-04T03
Thrust Brake/Shift Valve	Fig	08-05
Breakdown-Thrust Brake/Shift Valve	Fig	08-05T01
Rotation Gearbox	Fig	08-06
Rotation Gearbox (SN 383-)	Fig	08-06R01
Rotation Motors	Fig	08-07
Breakdown-Rotation Motor	Fig	08-07T01
Breakdown-Rotation Motor	Fig	08-07T02
Gearbox Rotation Valve	Fig	08-08
Gearbox Rotation Valve (SN 383-)	Fig	08-08R01
Gearbox Rotation Valve (SN 421-)	Fig	08-08R02
Breakdown-Gearbox Rotation Valve	Fig	08-08T01
Gearbox Lock Cylinder	Fig	08-09
Breakdown-Gearbox Lock Cylinder	Fig	08-09T01
Hose Carrier & Tower	Fig	08-10
Hose Carrier & Tower (SN 383-562)	Fig	08-10R01
Breakdown-Hose Carrier (SN 383-562)	Fig	08-10T01
Hose Carrier (SN 563-)	Fig	08-10R02
Breakdown-Hose Carrier (SN 563-)	Fig	08-10T01R01
Carriage Light	Fig	08-11
Thrust Carriage Encoder (SN 101-830)	Fig	08-12
Thrust Carriage Encoder (SN 831-)	Fig	08-12R01
Rotation Gearbox Encoder	Fig	08-13
Rotation Gearbox Encoder (SN 383-)	Fig	08-13R01
Drive Chuck	Fig	08-14
Breakdown-Drive Chuck	Fig	08-14T01
Drill Rod Prep 2 3/8 FST 600 Connection	Fig	08-15
Drill Rod Prep 2 3/8 FST 650 Connection	Fig	08-16
Drive Chuck	Fig	08-17
Breakdown-Drive Chuck	Fig	08-17T01

Rack
Fig 08-01

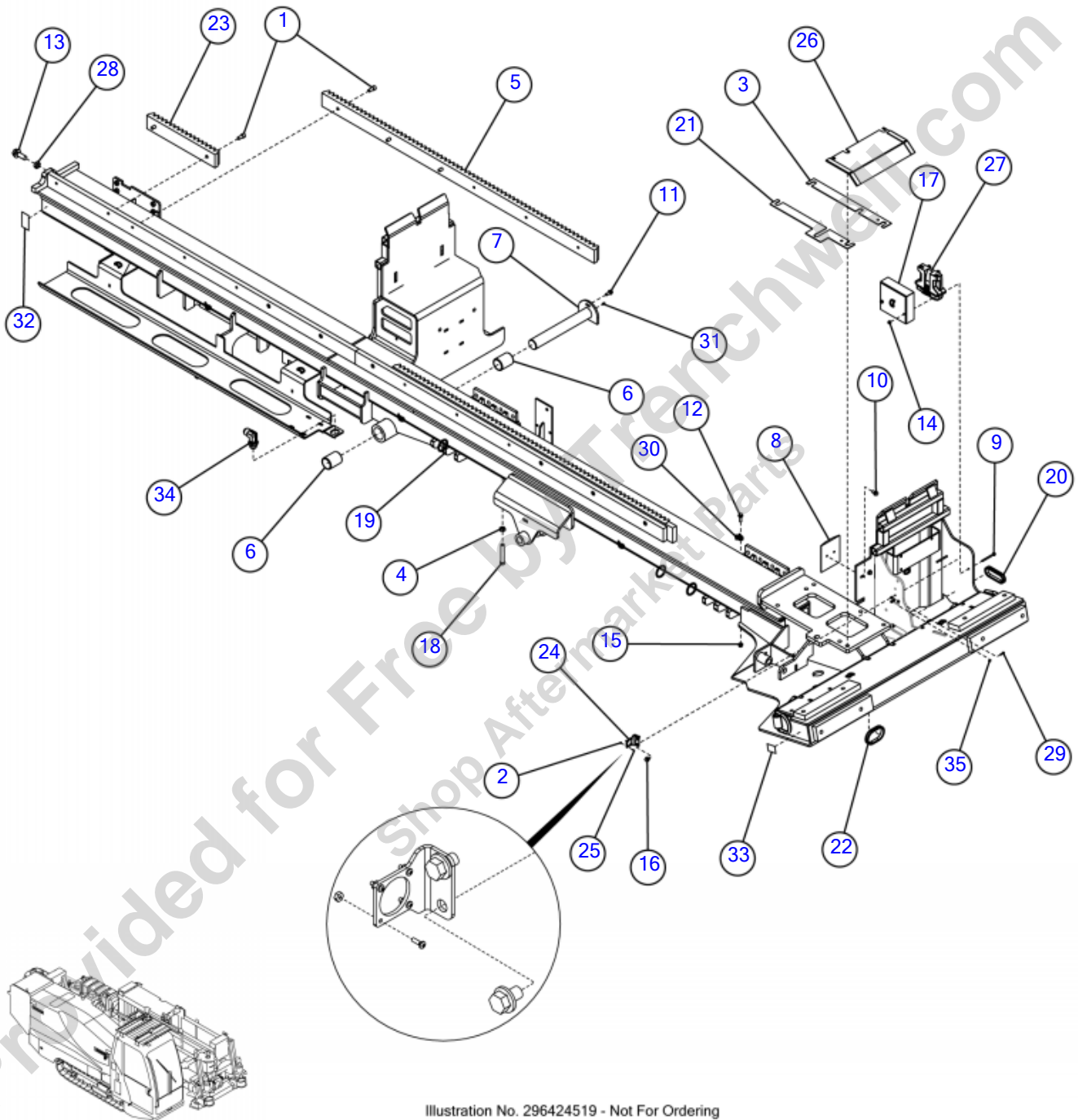


Illustration No. 296424519 - Not For Ordering

Rack
Fig 08-01

REF NO.	PART NO.	DESCRIPTION	QTY.	REMARKS
1	129667010	CAPSCREW-1/2-13X1 SOCKET HEAD	14	
2	15104001	NUT-4-40 HEX	4	
3	228036001	SHIM-MOUNTING 1/8 21@22852	1	
4	250514001	NUT -5/8NC JAM Y/ZINC	2	
5	276318001	RACK - SIDE	2	
6	276336001	BSHNG-2 3/8ODX2.00ID-3.00 CNNX	2	
7	296275355	PIN - RACK PIVOT	1	
8	296280137	PLATE - ROD GUARD	1	
9	296300761	SCREW-HFS-.25-20X3.00-GR8-YZ	2	
10	296300771	SCREW-HFS-.38-16X.75GR8-YZ	2	
11	296300772	SCREW HFS .38-16X1.00 GR8 YZ	1	
12	296300773	SCREW-HFS-.38-16X1.25-GR8-YZ	2	
13	296300817	SCREW,HFS,.75,10X2.00,GR8,YZ	1	
14	296300848	NUT-HEXFLGTL-.25-20-G-YZ	2	
15	296300850	NUT-HEXFLGTL-.38-16-G-YZ	2	
16	296300922	SCREW-HFS-.38-16X.50-GR8-YZ	2	
17	296357280	SHIELD - PLUS 1 0X024-10 CONTROLLER	1	
18	296414091	5/8-11X4 SQ SET CUP PT ZINC	2	
19	296424518	WELDMENT - D24X40III RACK	1	
20	296424664	STRIP - SEAL - EDGE 1/2" STYLE	1	
21	296424705	PLATE - VICE SHIM MOUNTING	1	
22	296432152	STRIP - SEAL - EDGE 1/2" STYLE	1	
23	296443781	GEAR-SHORT RACK	1	
24	296443918	PLATE - STRIKE ALERT COIL BULKHEAD	1	
25	296443937	SCREW-MCH-4-40X.38-GR2-CZ-PAN-HD-PHILLIPS	4	
26	296443968	PLATE - FRONT VISE	1	
27	296448471	MODULE - OUTPUT OX024-110	1	
28	510320311	NUT HEX JAM .75 10 GR2 YZ	1	
29	510357010	SCREW-MCH-10-24X.75-GR2-YZ-HWH-SLOTTED	4	
30	510508208	CABLE TIE MOUNT-HIGH TORQUE HEAVY DUTY WITH METAL	2	
31	598001	FITTING - 1/4" NF ST GREASE ZERK	1	
32	7000A864	DECAL-WARNING DOMESTIC	2	Domestic
32	700IA864	DECAL - WARNING INTERNATIONAL	2	International
33	7000I834	DECAL - TIE DOWN POINT	2	
34	81785001	FIT-16M BULKHEAD JICX16M JIC90	1	
35	99042001	NUT-NYLOCK-#10-24-GR2-CZ	4	

Rack Lift Cylinders

Fig 08-02

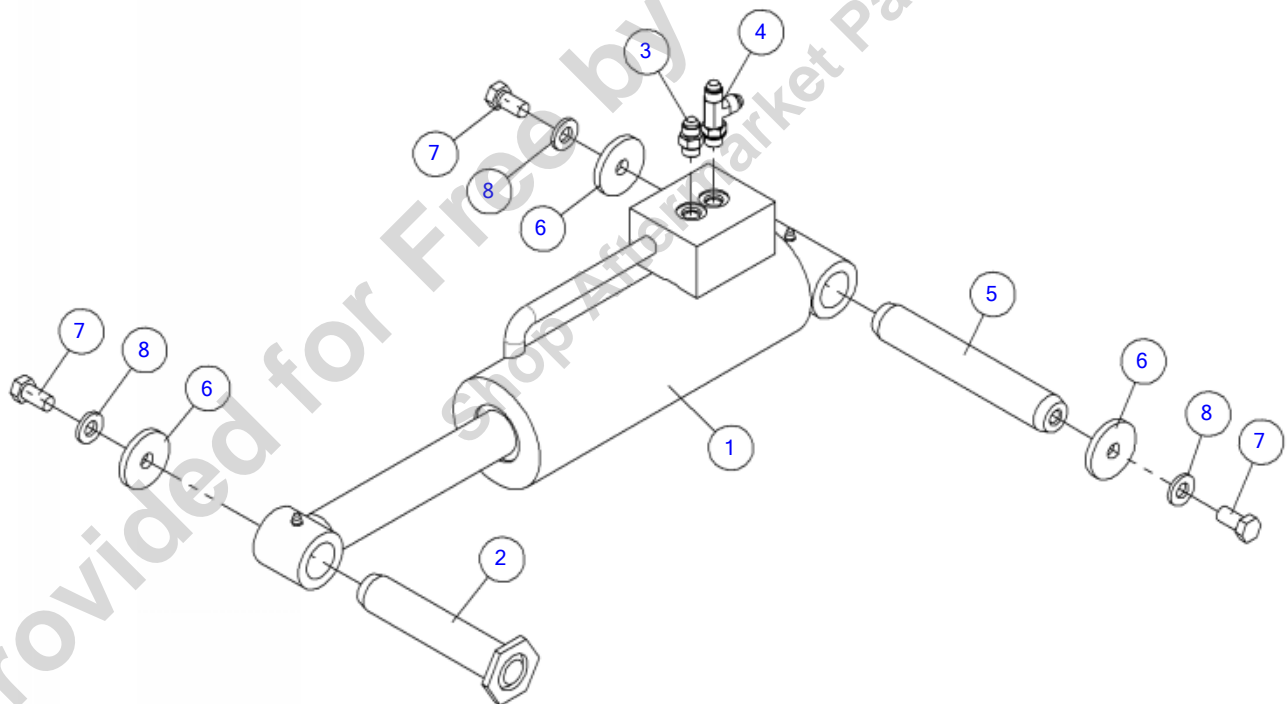
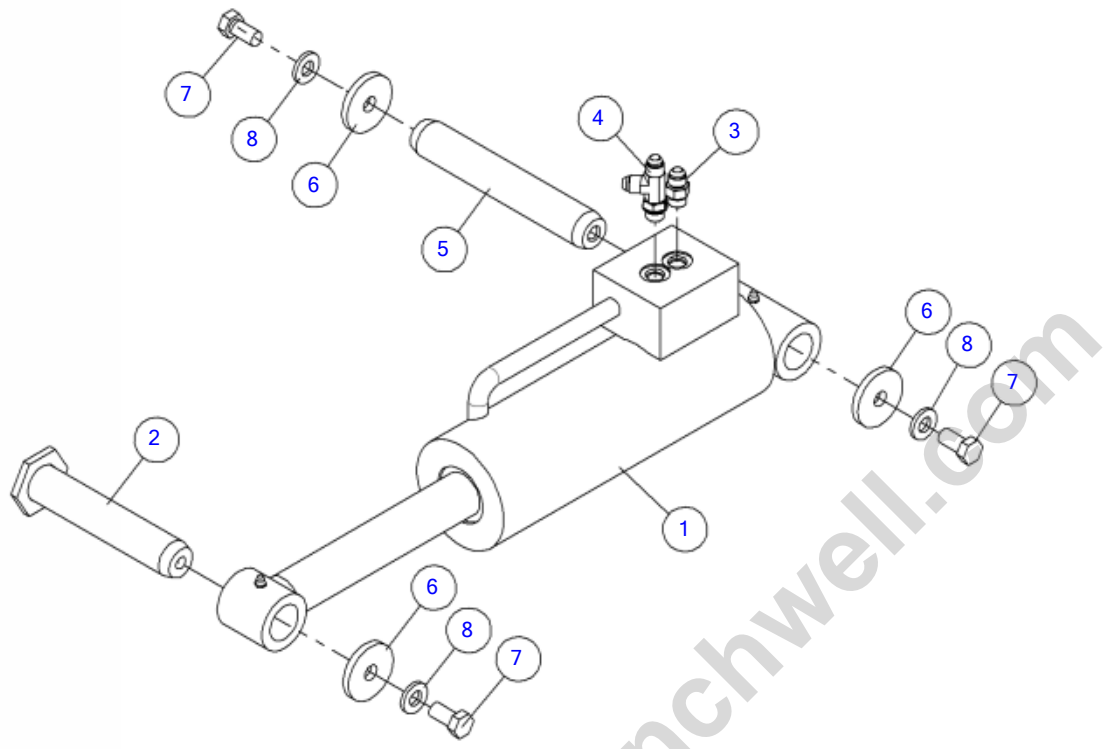


Illustration No: 296414952 - Not For Ordering

Rack Lift Cylinders

Fig 08-02

REF NO.	PART NO.	DESCRIPTION	QTY.	REMARKS
1	278769001	CYLINDER-3 1/2"BORE X 7"STROKE	2	Breakdown Fig 8-2T01
2	296414964	WELDMENT - PIN CYLINDER RACK	2	
3	65565001	FITTING - 6M O-RING X 6M JIC ST.	2	
4	68774001	FITTING-6MX6M JIC (RUN)X6M JIC	2	
5	296432214	BAR - CYLINDER MOUNTING	2	
6	281787001	SLUG .53 ID X 2.00 OD 1/4in	6	
7	235729001	SCREW-HCS-.50-13X1.00-GR8-YZ	6	
8	485025	WASHER-1/2 FLAT-HARDENED-YZ	6	

Provided for Free by Trenchwell.com
Shop Aftermarket Parts

Rack Lift Cylinder (SN 226-)

Fig 08-02R01

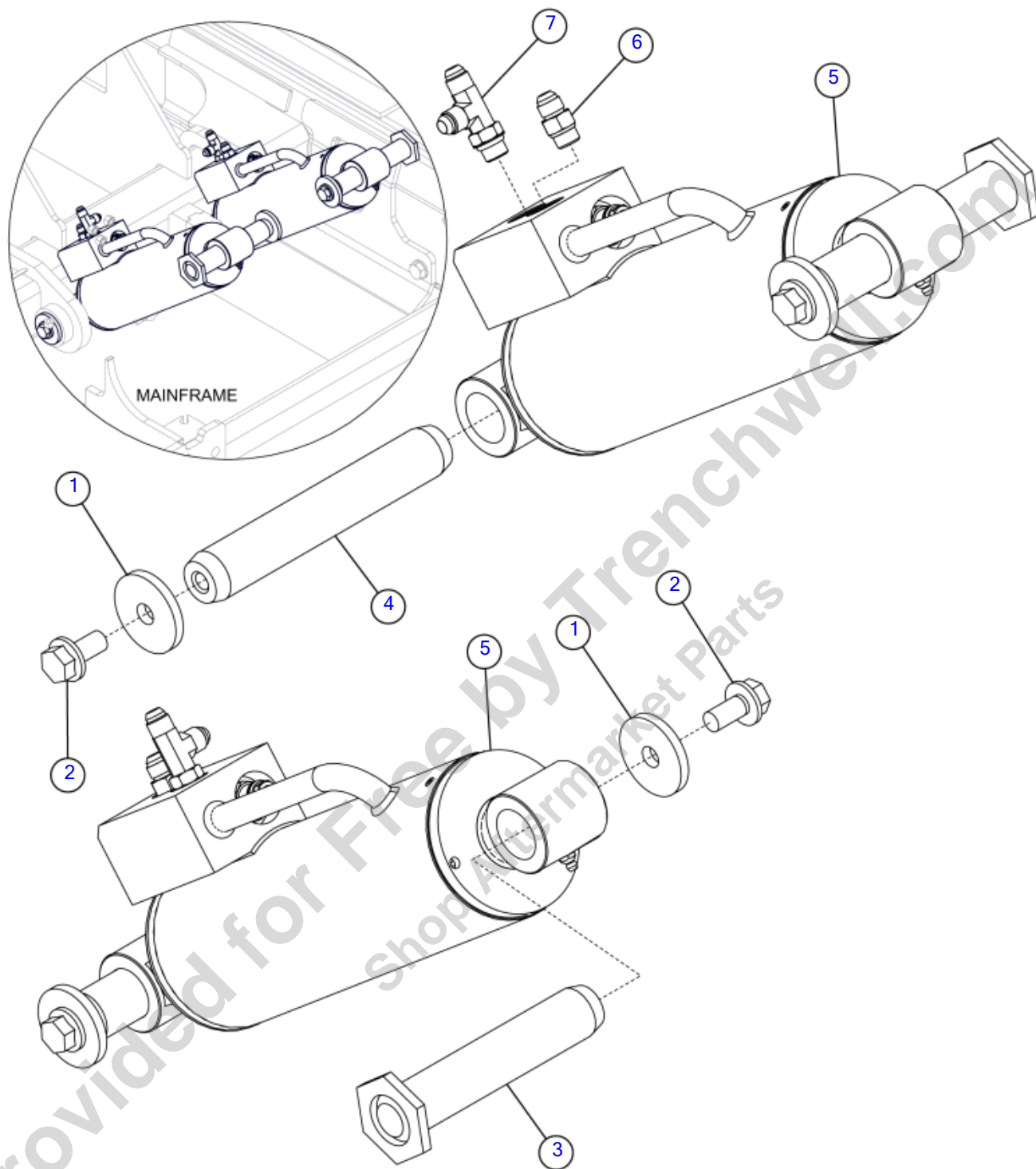


Illustration No. 296472010 - Not For Ordering

Rack Lift Cylinder (SN 226-)

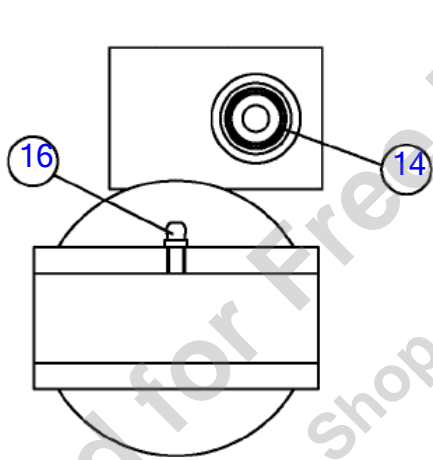
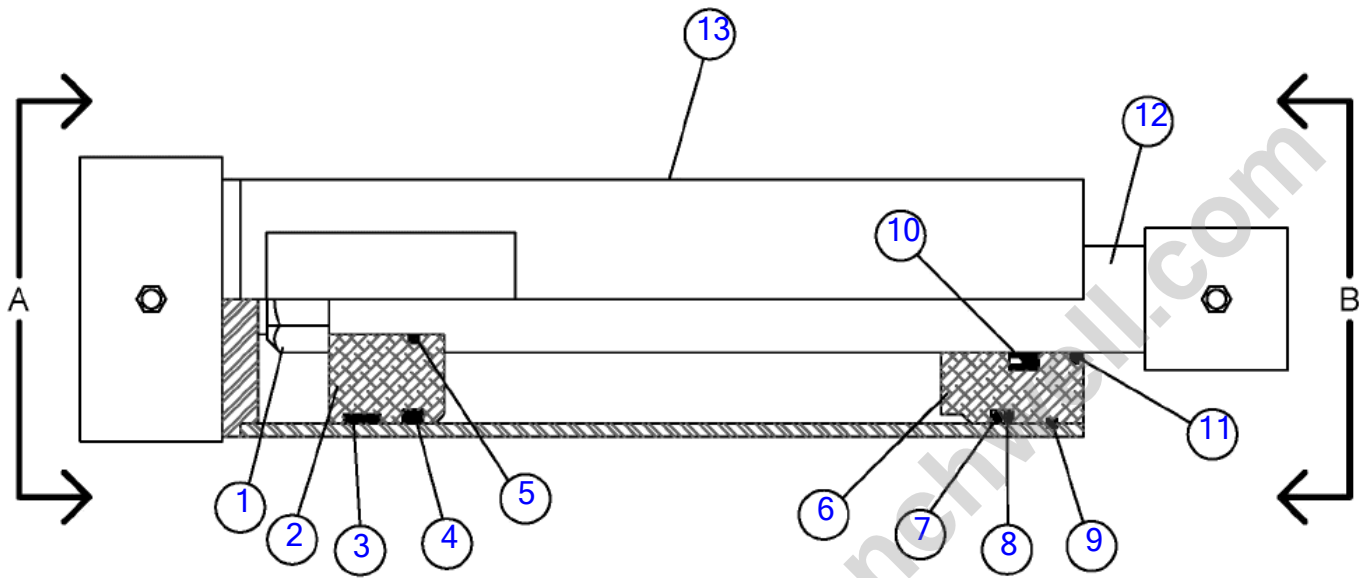
Fig 08-02R01

REF NO.	PART NO.	DESCRIPTION	QTY.	REMARKS
1	281787001	SLUG .53 ID X 2.00 OD 1/4in	6	
2	296300788	SCREW HFS .50 13 X 1.00 GR8 YZ	6	
3	296414964	WELDMENT - PIN CYLINDER RACK	2	
4	296432214	BAR - CYLINDER MOUNTING	2	
5	296443970	CYLINDER- 3.5 BORE X 7.0 STROKE	2	Breakdown Fig. 8-2T01
6	65565001	FITTING - 6M O-RING X 6M JIC ST.	2	
7	68774001	FITTING-6MX6M JIC (RUN)X6M JIC	2	

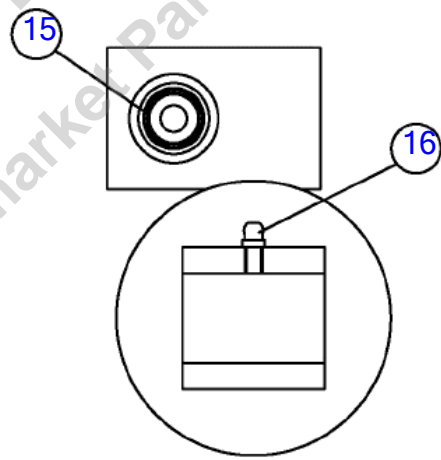
Provided for Free by Trenchwell.com
Shop Aftermarket Parts

Breakdown-Rack Lift Cylinder (SN 101-225)

Fig 08-02T01



BASE END
VIEW "A"



RAM END
VIEW "B"

Breakdown-Rack Lift Cylinder (SN 101-225)

Fig 08-02T01

REF NO.	PART NO.	DESCRIPTION	QTY.	REMARKS
1	306011	NUT-1-14 SL PRINCE 220000210	1	
2	610291001	PISTON	1	
3	278769003	WEAR RING	1	Included In Repair Kit
4	278769005	PSP SEAL	1	Included In Repair Kit
5	278769007	O-RING	1	Included In Repair Kit
6	278769009	HEAD	1	
7	278769011	O-RING	1	Included In Repair Kit
8	278769013	BACKUP	1	Included In Repair Kit
9	610292001	RETAINING RING	1	
10	236113021	POLYPAK	1	Included In Repair Kit
11	201519001	WIPER-ROD 1 1/2	1	Included In Repair Kit
12	278769015	SHAFT W/ CLEVIS	1	
13	278769017	BARREL ASSEMBLY (W/O VALVE)	1	
14	117037001	VALVE-COUNTERBALANCE CBBD-LJN	1	
15	278769023	VALVE	1	
16	598001	NII-FITTING - 1/4" NF ST GREASE ZERK	2	
	278769001	CYLINDER-3 1/2"BORE X 7"STROKE	1	Includes All Items In Figure
	278769025	REPAIR KIT	1	Includes Items 3-5, 7, 8, 10, & 11

Breakdown-Lift Cylinder (SN 226-)

Fig 08-02T01R01

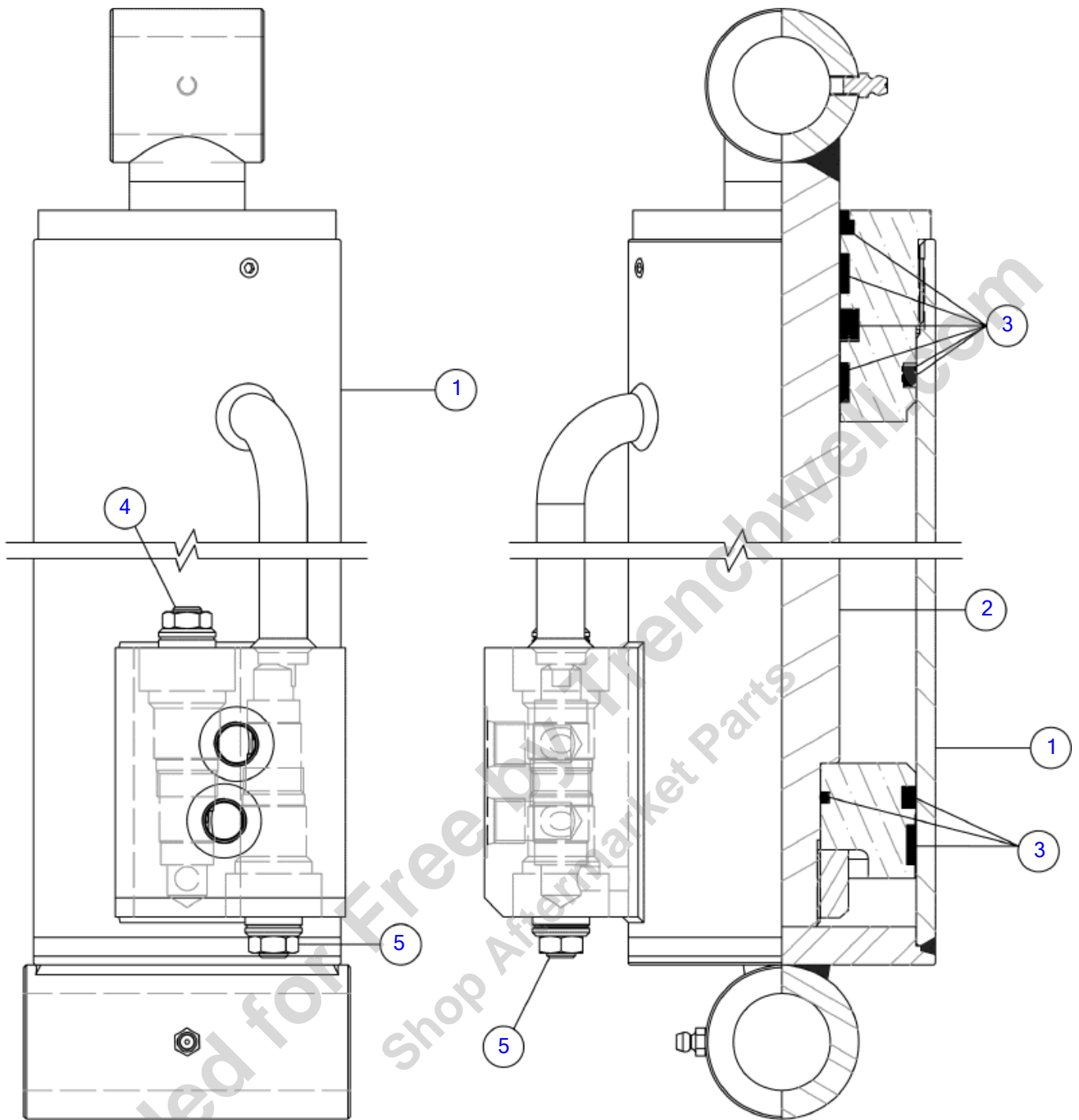


ILLUSTRATION NO. 296443970 - Not For Ordering

Breakdown-Lift Cylinder (SN 226-)

Fig 08-02T01R01

REF NO.	PART NO.	DESCRIPTION	QTY.	REMARKS
1		BARREL ASSEMBLY-3 1/2" HDI	1	Not Sold Separately
2	296416715	SHAFT ASSEMBLY-1 1/2"	1	
3	296416716	REPAIR KIT-3 1/2"	1	
4	278769023	VALVE	1	
4	(180010540)	SUN VALVE	1	
5	296447320	SUN VALVE CBBB-LJN	1	
	296443970	CYLINDER- 3.5 BORE X 7.0 STROKE	1	Includes All Items In Figure

Provided for Free by Trenchwell.com
Shop Aftermarket Parts

Thrust Carriage (SN 101-579)

Fig 08-03

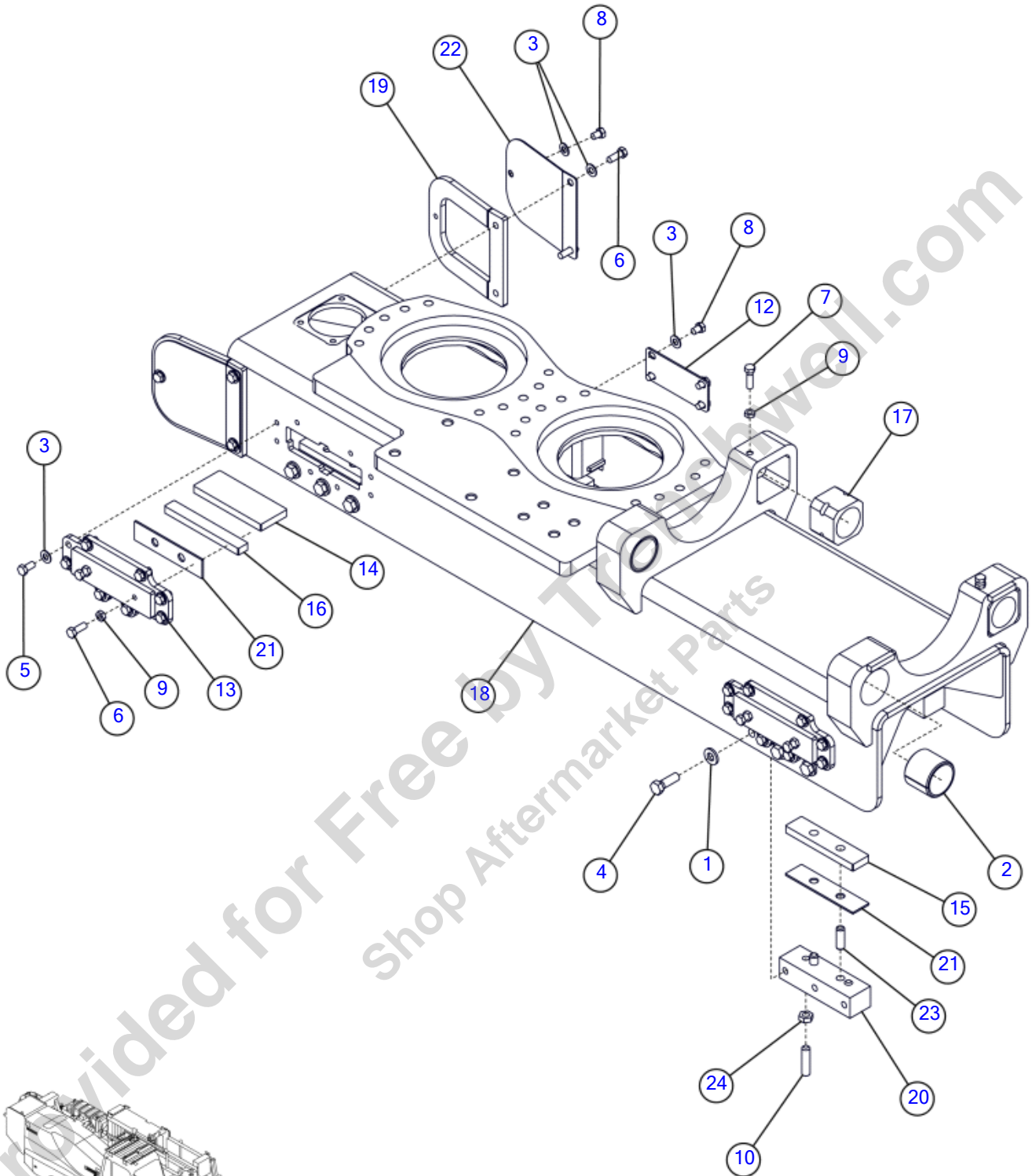


Illustration No. 296412103 - Not For Ordering

Thrust Carriage (SN 101-579)

Fig 08-03

REF NO.	PART NO.	DESCRIPTION	QTY.	REMARKS
1	127362001	WASHER-1/2 HARD.FLAT/PLATED	12	
2	1835037	BSHG-STL 2 3/8 X 2 X 2	2	
3	235713001	WASHER - FLATSTRL - .38 - .41 X .81 - .06-YA-A325	34	
4	235721001	BOLT-1/2-13X1 1/2 GR8 ZINC PLT	12	
5	235726001	BOLT-3/8-16X3/4 GR8 HEX ZNCPLT	24	
6	235727001	SCREW-HCS-.38-16X1.00-GR8-YZ	10	
7	235736001	BOLT-3/8-16X1 1/4 ZYC	2	
8	240310001	SCREW - HCS - .38 - 16 X .50 - GR8 - YZ	6	
9	250576001	NUT-3/8 NC HEX JAM W/Y-ZINC	8	
10	296350440	SCREW-1/2-13X2.0 SOCKET SET	8	
11	296412103	ASSEMBLY - CARRIAGE D24X40III	1	
12	296412113	PLATE - WEARPAD COVER	1	
13	296412118	WELDMENT - FRONT SIDE WEARPAD	3	
14	296412121	WEARPAD-NYLATRON TOP	4	
15	296412122	WEARPAD-NYLARTON BOTTOM	4	
16	296412124	WEARPAD-NYLATRON SIDE	3	
17	296412132	BAR - BUSHING GEARBOX PIN	2	
18	296412133	MACHINE - CARRIER - THRUST	1	
19	296432242	PLATE - EURO BUMP COVER	2	
20	296480347	ASSEMBLY-ADJUSTABLE SLIDE BLOCK	4	
20	(296443814)	BAR - BOTTOM CARRIAGE SLIDE MEDIUM NAV	4	
21	296443815	PLATE - BOTTOM WEARPAD BACK MEDIUM NAV	7	
22	296443919	PLATE - CARRIAGE GUARD	2	
23	609338001	DOWEL PIN-1/2X1 1/2	8	
24	75383001	NUT-1/2-UNC GR.8 JAM HEX	8	

Thrust Carriage (SN 580-830)

Fig 08-03R01

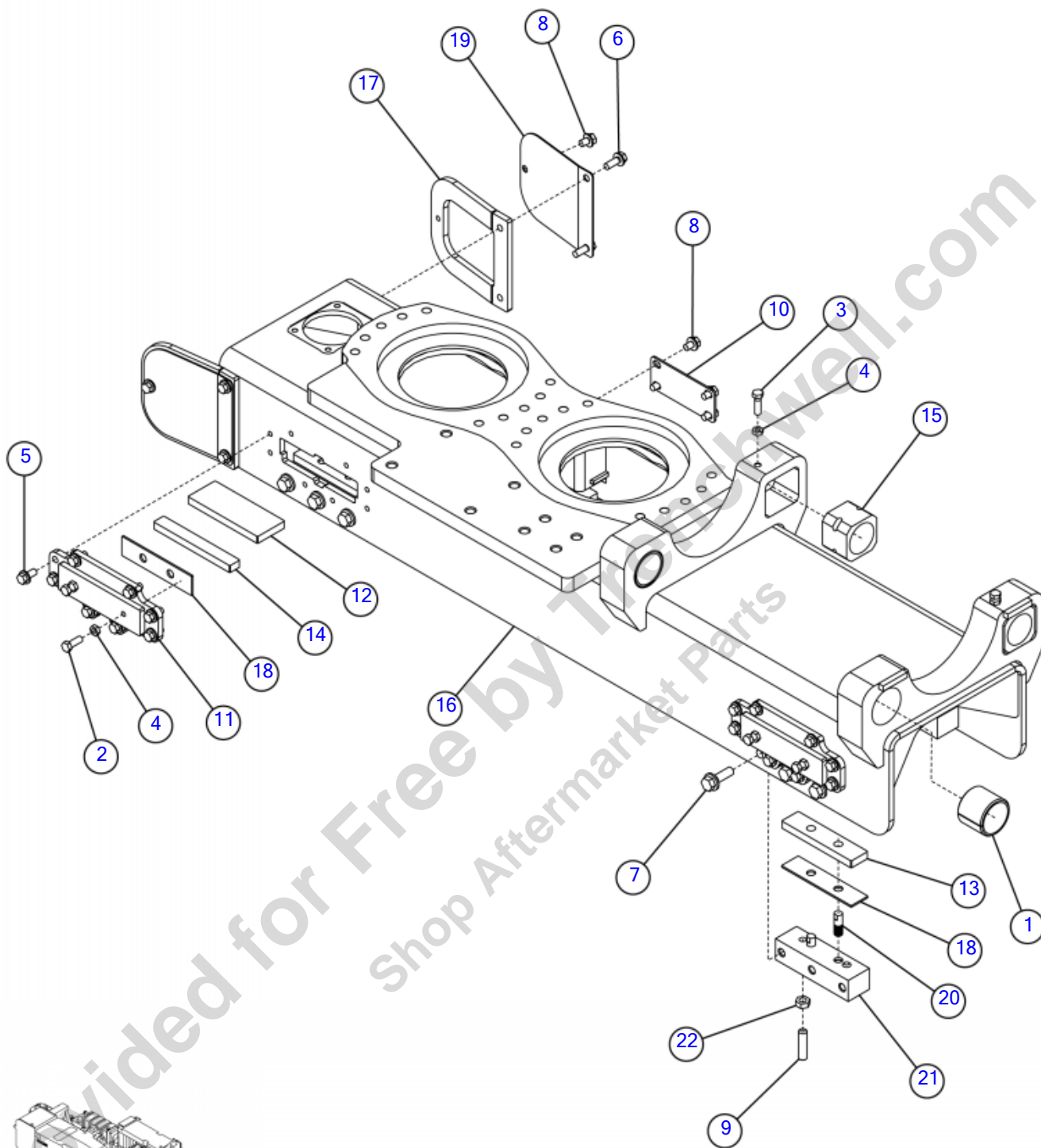


Illustration No. 296412103 - Not For Ordering

Thrust Carriage (SN 580-830)

Fig 08-03R01

REF NO.	PART NO.	DESCRIPTION	QTY.	REMARKS
1	1835037	BSHG-STL 2 3/8 X 2 X 2	2	
2	235727001	SCREW-HCS-.38-16X1.00-GR8-YZ	6	
3	235736001	BOLT-3/8-16X1 1/4 ZYC	2	
4	250576001	NUT-3/8 NC HEX JAM W/Y-ZINC	8	
5	296300771	SCREW-HFS-.38-16X.75GR8-YZ	24	
6	296300772	SCREW HFS .38-16X1.00 GR8 YZ	4	
7	296300790	SCREW HFS .50 13X1.50 GR8 YZ	12	
8	296300922	SCREW-HFS-.38-16X.50-GR8-YZ	6	
9	296350440	SCREW-1/2-13X2.0 SOCKET SET	8	
10	296412113	PLATE - WEARPAD COVER	1	
11	296412118	WELDMENT - FRONT SIDE WEARPAD	3	
12	296412121	WEARPAD-NYLATRON TOP	4	
13	296412122	WEARPAD-NYLARTON BOTTOM	4	
14	296412124	WEARPAD-NYLATRON SIDE	3	
15	296412132	BAR - BUSHING GEARBOX PIN	2	
16	296412133	MACHINE - CARRIER - THRUST	1	
17	296432242	PLATE - EURO BUMP COVER	2	
18	296443815	PLATE - BOTTOM WEARPAD BACK MEDIUM NAV	7	
19	296443919	PLATE - CARRIAGE GUARD	2	
20	296480336	PIN-.50 THREADED	8	
21	296480346	BAR - BOTTOM CARRIAGE SLIDE MEDIUM NAV	4	
22	75383001	NUT-1/2-UNC GR.8 JAM HEX	8	

Thrust Carriage (SN 831-)

Fig 08-03R02

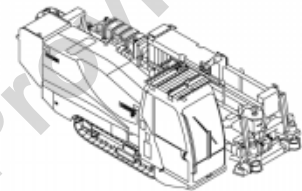
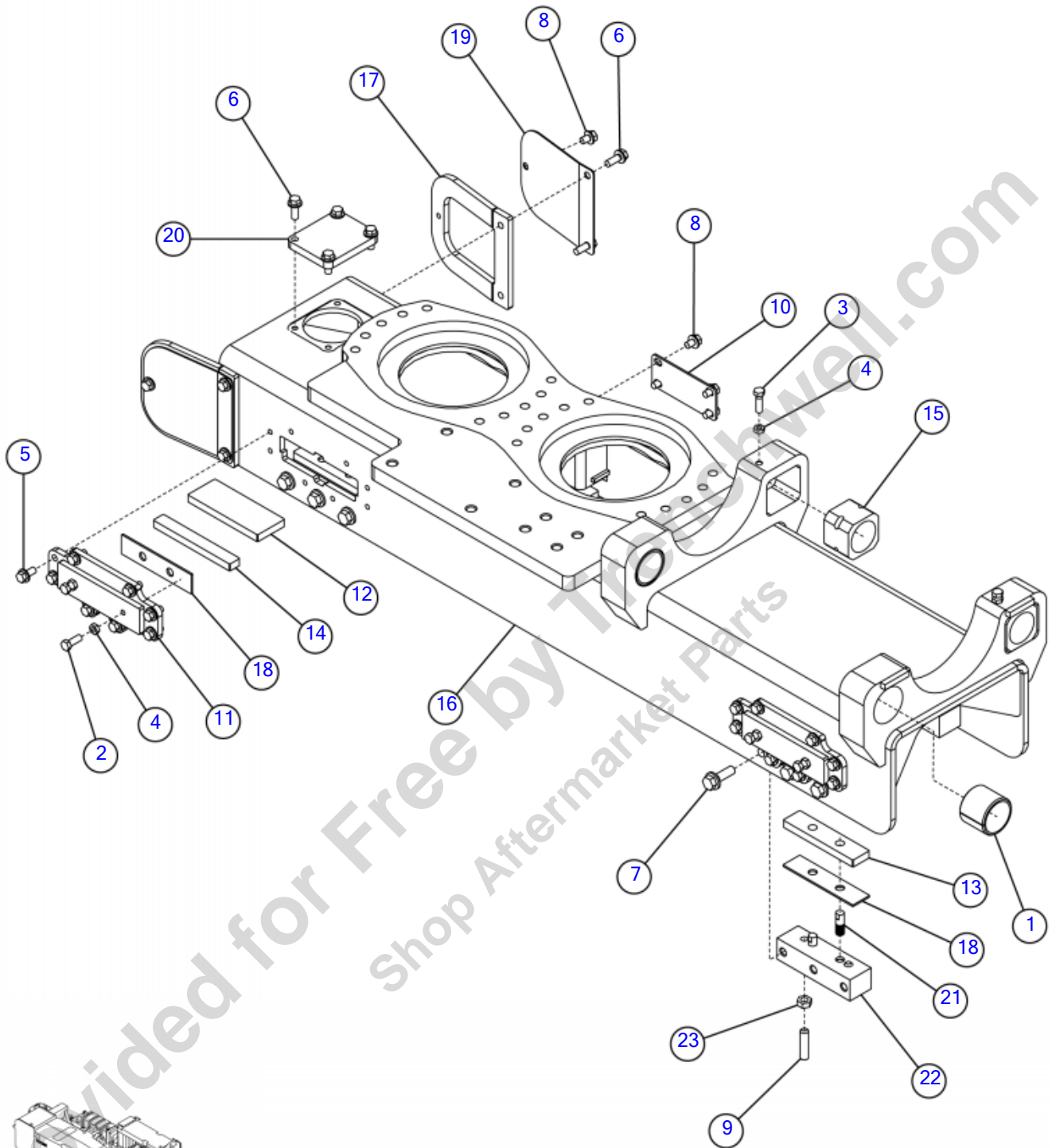


Illustration No. 296412103 - Not For Ordering

Thrust Carriage (SN 831-)

Fig 08-03R02

REF NO.	PART NO.	DESCRIPTION	QTY.	REMARKS
1	1835037	BSHG-STL 2 3/8 X 2 X 2	2	
2	235727001	SCREW-HCS-.38-16X1.00-GR8-YZ	6	
3	235736001	BOLT-3/8-16X1 1/4 ZYC	2	
4	250576001	NUT-3/8 NC HEX JAM W/Y-ZINC	8	
5	296300771	SCREW-HFS-.38-16X.75GR8-YZ	24	
6	296300772	SCREW HFS .38-16X1.00 GR8 YZ	8	
7	296300790	SCREW HFS .50 13X1.50 GR8 YZ	12	
8	296300922	SCREW-HFS-.38-16X.50-GR8-YZ	6	
9	296350440	SCREW-1/2-13X2.0 SOCKET SET	8	
10	296412113	PLATE - WEARPAD COVER	1	
11	296412118	WELDMENT - FRONT SIDE WEARPAD	3	
12	296412121	WEARPAD-NYLATRON TOP	4	
13	296412122	WEARPAD-NYLARTON BOTTOM	4	
14	296412124	WEARPAD-NYLATRON SIDE	3	
15	296412132	BAR - BUSHING GEARBOX PIN	2	
16	296412133	MACHINE - CARRIER - THRUST	1	
17	296432242	PLATE - EURO BUMP COVER	2	
18	296443815	PLATE - BOTTOM WEARPAD BACK MEDIUM NAV	7	
19	296443919	PLATE - CARRIAGE GUARD	2	
20	296470192	PLATE - ENCODER MOUNT COVER	1	
21	296480336	PIN-.50 THREADED	8	
22	296480346	BAR - BOTTOM CARRIAGE SLIDE MEDIUM NAV	4	
23	75383001	NUT-1/2-UNC GR.8 JAM HEX	8	

Thrust Motors (SN 101-830)

Fig 08-04

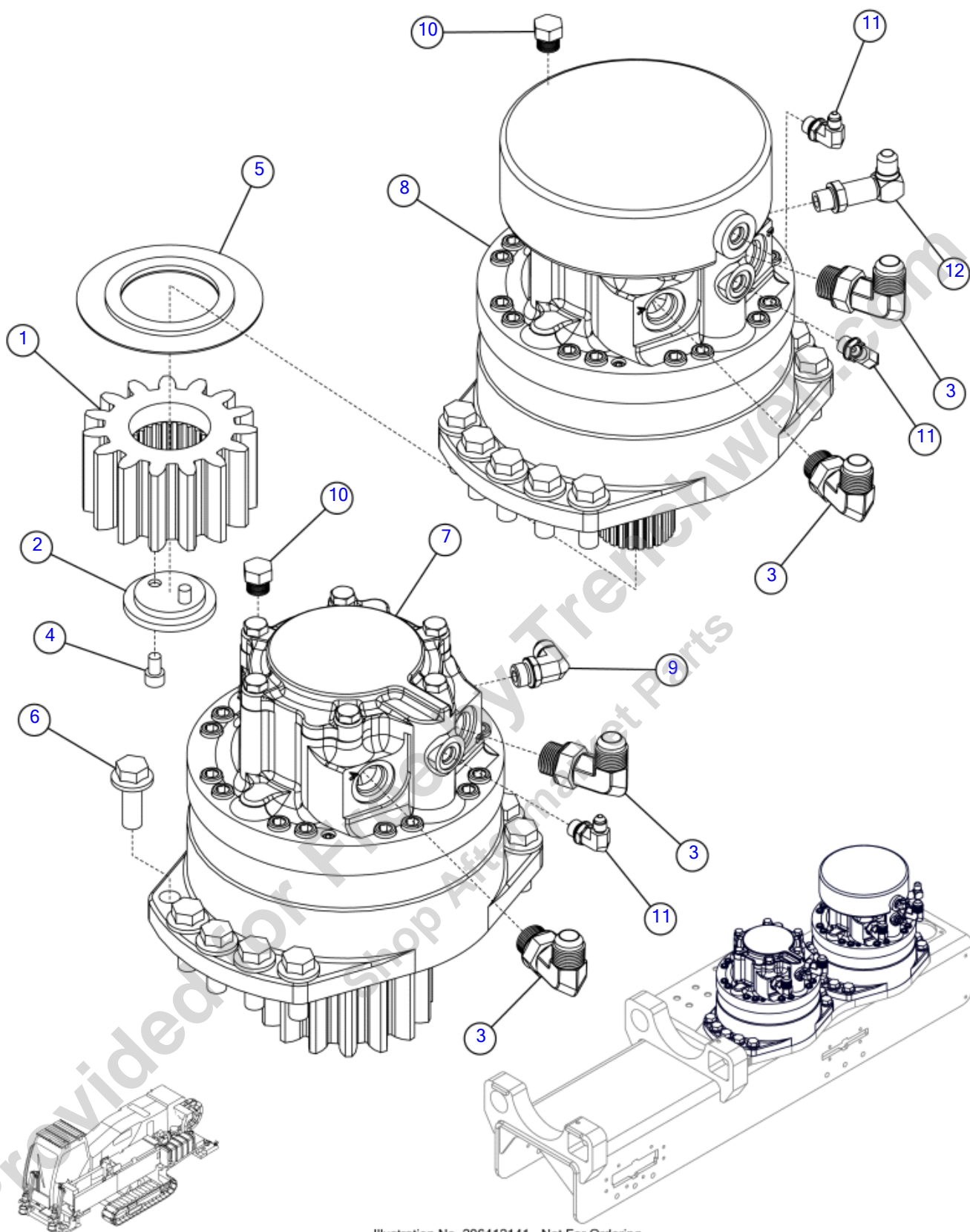


Illustration No. 296412141 - Not For Ordering

Thrust Motors (SN 101-830)

Fig 08-04

REF NO.	PART NO.	DESCRIPTION	QTY.	REMARKS
1	276263001	GEAR - PINION THRUST PULLBACK	2	
2	276320001	PLATE - PINION CAP	2	
3	278867001	FITTING-12M X 12M JIC LONG 90	4	
4	281779001	BOLT -M10X16MM SOC HD CAP SCREW	4	
5	296273636	WASHER - FOAM	2	
6	296300801	SCREW,HFS,.63,11X1.75,GR8,YZ	20	
7	296432752	MOTOR-47.6 CI/REV MS08 F PREF	1	Breakdown Fig. 8-4T01
8	296432753	MOTOR-47.6 CID MS08-A W /BRAKE	1	Breakdown Fig. 8-4T02
9	53837001	FITTING - 8M O-RING X 8M JIC 90 DEGREE	1	
10	56218001	FITTING - PLUG - 8MORB - HEX	2	
11	57950001	FITTING - 90-6MORBA-4MJ	3	
12	63220001	FITTING-8MX8M JIC 90 EXTRA LONG	1	

Provided for Free by Trenchwell.com
Shop Aftermarket Parts

Thrust Motors (SN 831-)

Fig 08-04R01

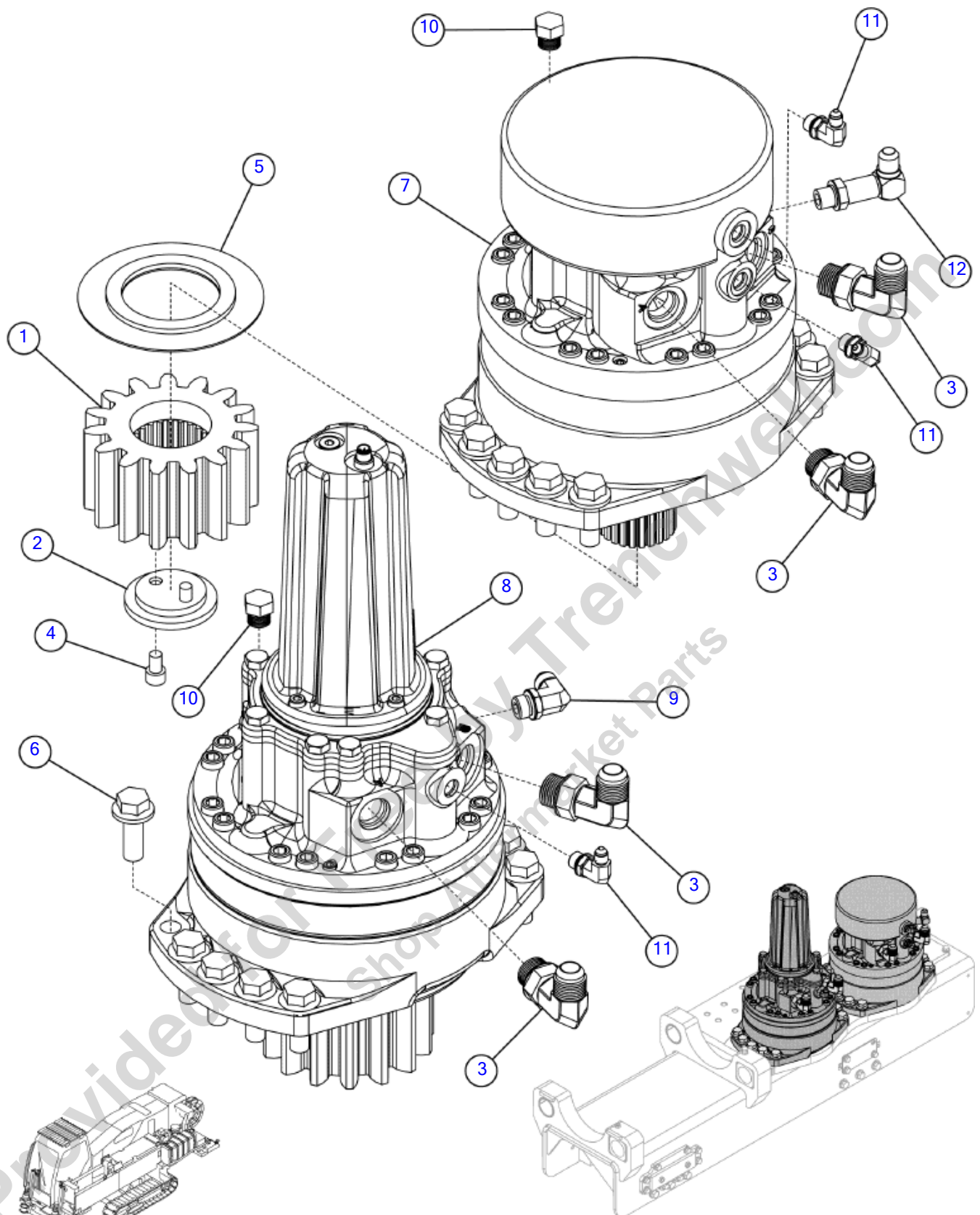


Illustration No. 296412141 - Not For Ordering

Thrust Motors (SN 831-)

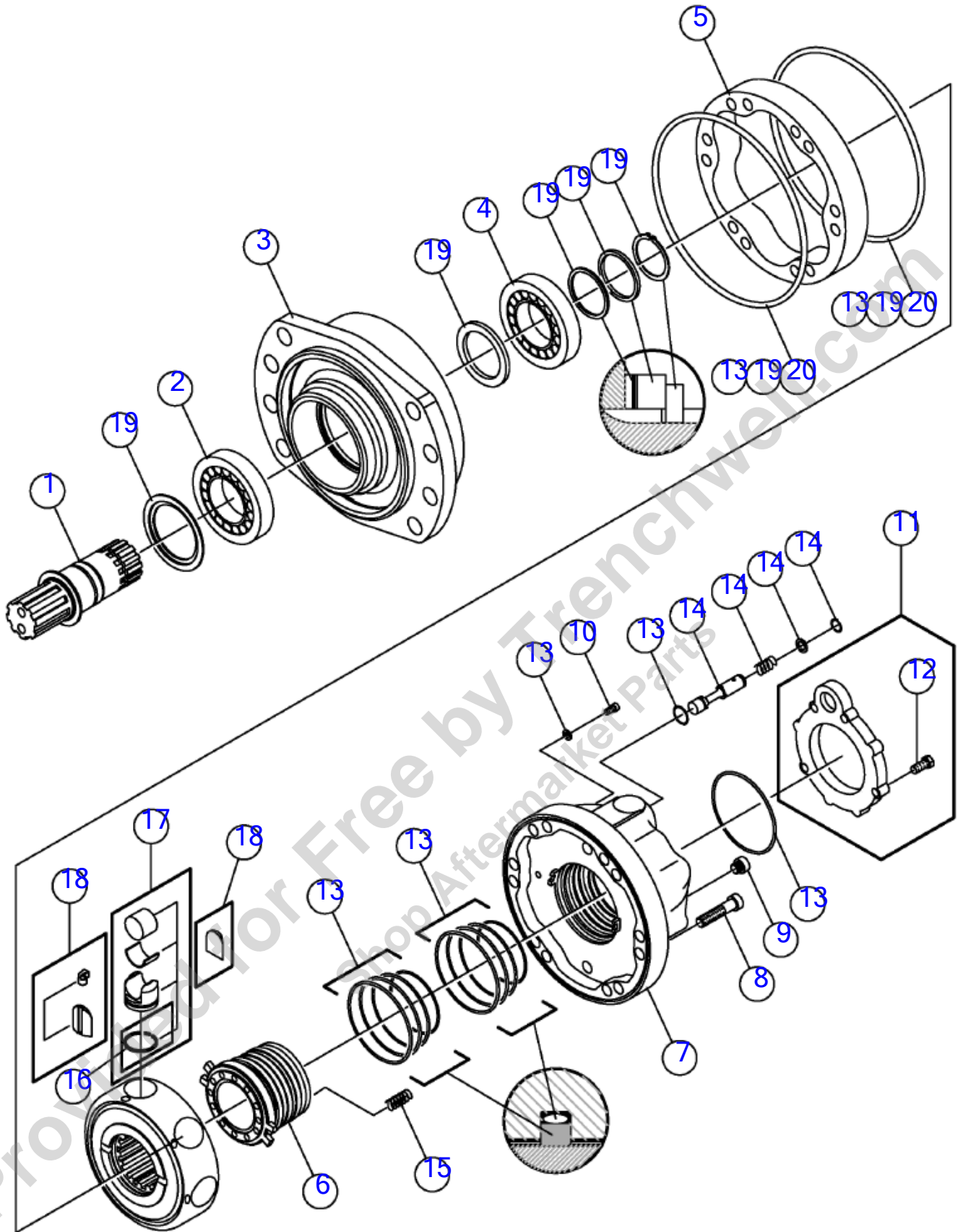
Fig 08-04R01

REF NO.	PART NO.	DESCRIPTION	QTY.	REMARKS
1	276263001	GEAR - PINION THRUST PULLBACK	2	
2	276320001	PLATE - PINION CAP	2	
3	278867001	FITTING-12M X 12M JIC LONG 90	4	
4	281779001	BOLT -M10X16MM SOC HD CAP SCREW	4	
5	296273636	WASHER - FOAM	2	
6	296300801	SCREW,HFS,.63,11X1.75,GR8,YZ	20	
7	296432753	MOTOR-47.6 CID MS08-A W /BRAKE	1	Breakdown Fig. 8-4T03
8	296488517	MS08 47.6 CI/REV-INTEGRATED ENCODER	1	Breakdown Fig. 8-4T01&8-4T02
9	53837001	FITTING - 8M O-RING X 8M JIC 90 DEGREE	1	
10	56218001	FITTING - PLUG - 8MORB - HEX	2	
11	57950001	FITTING - 90-6MORBA-4MJ	3	
12	63220001	FITTING-8MX8M JIC 90 EXTRA LONG	1	

Provided for Free by Trenchwell.com
Shop Aftermarket Parts

Breakdown-Thrust Motor

Fig 08-04T01



Breakdown-Thrust Motor

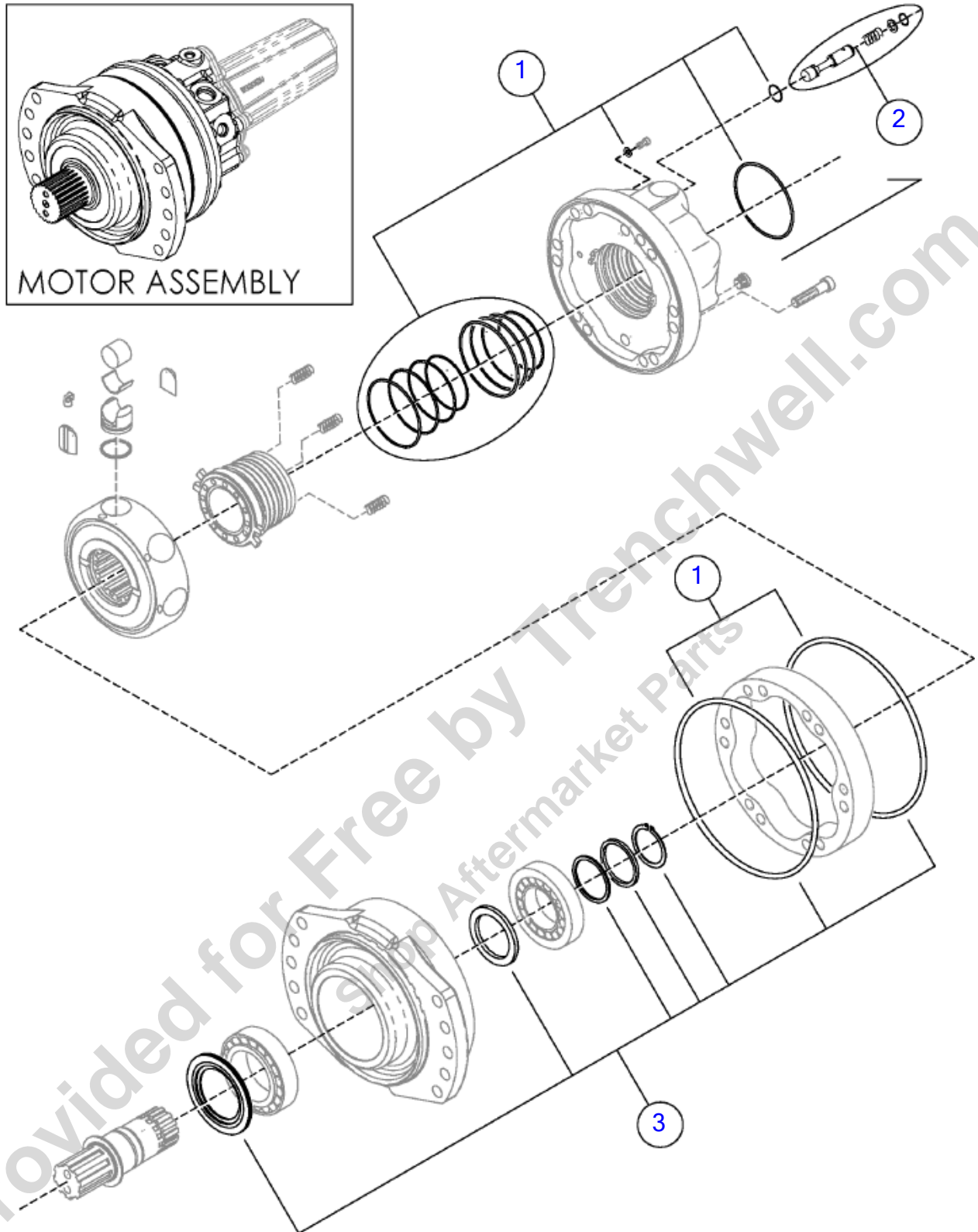
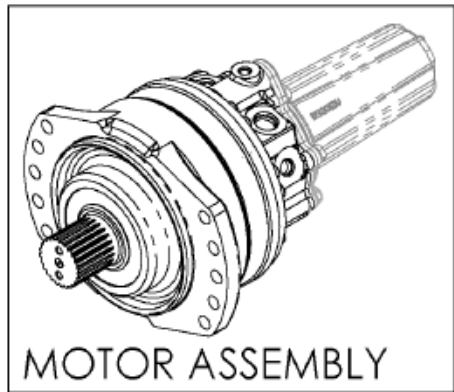
Fig 08-04T01

REF NO.	PART NO.	DESCRIPTION	QTY.	REMARKS
1	296368751	SHAFT	1	
2	256555007	BEARING	1	
3	276258005	BEARING SUPPORT	1	
4	274874001	BEARING-TPER-31313-C1	1	
5	296454043	CAM RING	1	
6	296454045	VALVING	1	
7	235790005	VALVING COVER	1	
8	235790007	SCREW	16	
9	296251798	PLUG	1	
10	64078027	SCREW-BLEEDING	2	
11	235790021	BACK PLATE	1	
12	235790023	BOLT	6	
13	296332007	REPAIR KIT - MS08	1	Includes All Items Identified
14	296454046	SPOOL KIT	1	Includes All Items Identified
15	299026256	KITSAV-COMPR-SPRING-4.5-X	1	Includes All Items Identified
16	296447326	SEAL KIT	1	Includes All Items Identified
17	224897005	PISTON CL "0"	10	Includes All Items Identified
18	224897017	REPAIR KIT-PISTON	1	Includes All Items Identified
19	274875001	KIT BEARING SUPPORT	1	Includes All Items Identified
20	296368755	SEAL KIT	1	Includes All Items Identified
	296454059	FULL SEAL KIT	1	Includes Items 13 & 19
	296432752	MOTOR-47.6 CI/REV MS08 F PREF	1	Includes All Items Listed Above

Breakdown-Thrust Motor (SN 831-)

Fig 08-04T01R01

Breakdown limited because: special tools or training required,
parts not available, may void warranty, and/or not cost effective.



Breakdown-Thrust Motor (SN 831-)

Fig 08-04T01R01

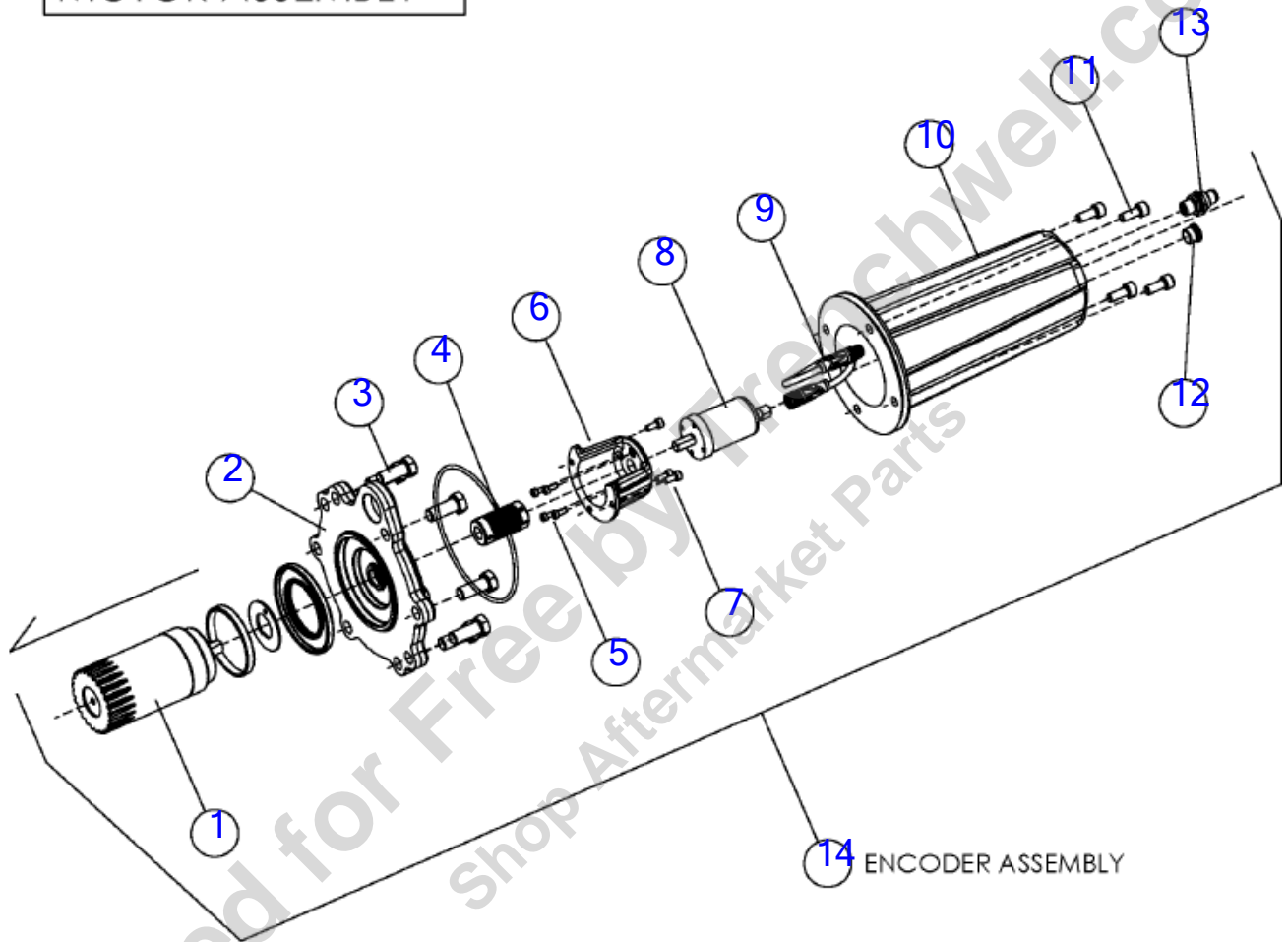
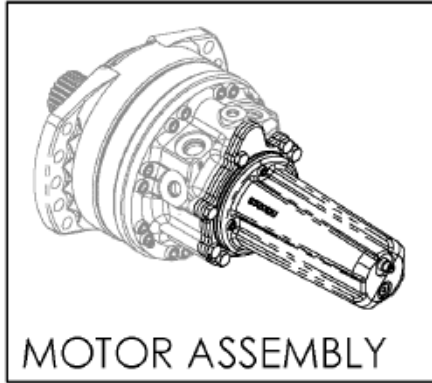
REF NO.	PART NO.	DESCRIPTION	QTY.	REMARKS
1	296454046	SPOOL KIT	1	11 Items.
2	296332007	REPAIR KIT - MS08	1	4 Items.
3	274875001	KIT BEARING SUPPORT	1	7 Items.
	296488517	MS08 47.6 CI/REV-INTEGRATED ENCODER SN:000831--	A/R	Includes Refs. 1-3 (SN 831-)

Provided for Free by Trenchwell.com
Shop Aftermarket Parts

Breakdown-Thrust Motor (SN 831-)

Fig 08-04T02

Breakdown limited because: special tools or training required,
parts not available, may void warranty, and/or not cost effective.



Breakdown-Thrust Motor (SN 831-)

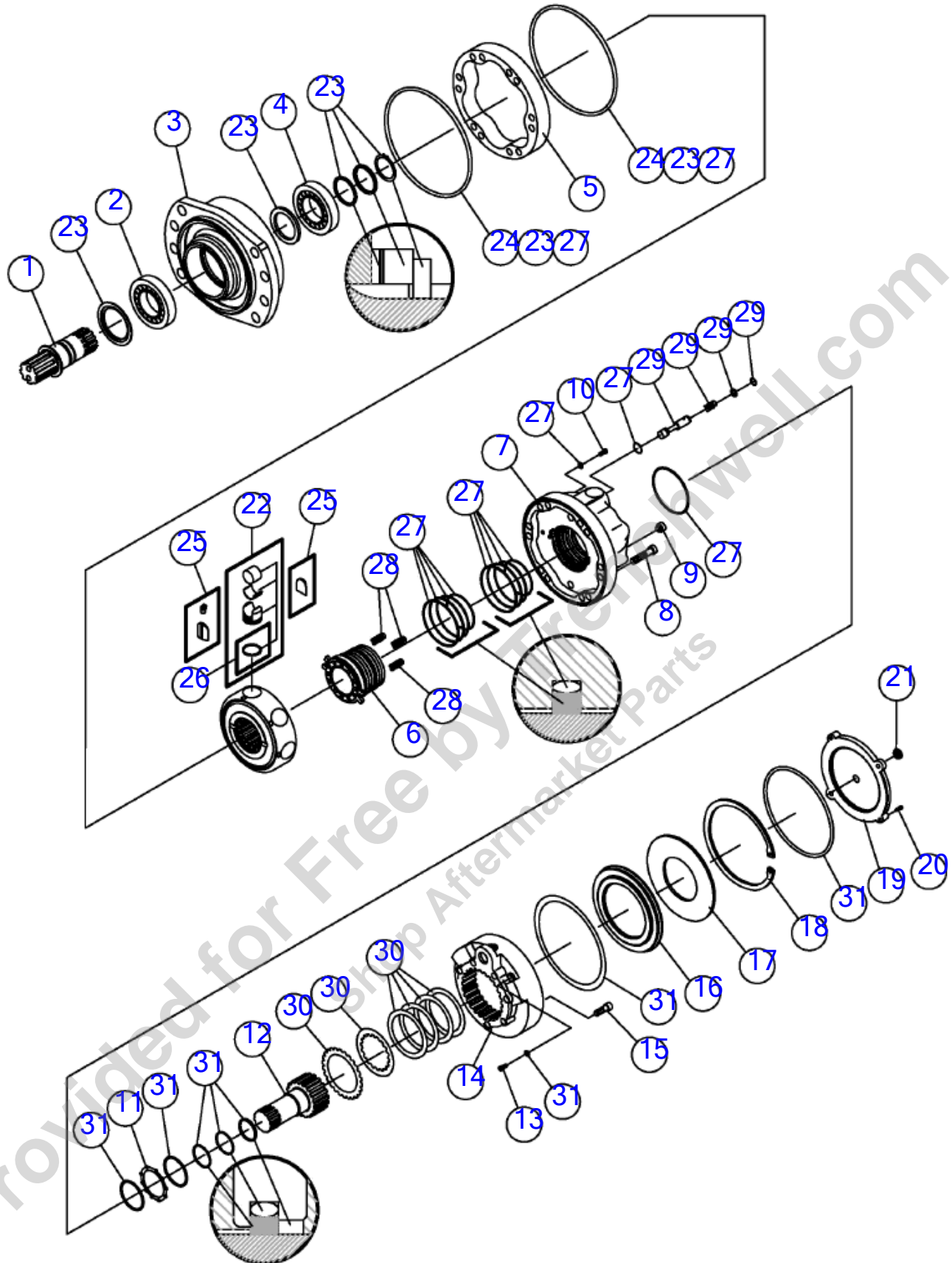
Fig 08-04T02

REF NO.	PART NO.	DESCRIPTION	QTY.	REMARKS
1	296502621	ENCODER COUPLER - MS08-2C	1	
2	296502552	LOCK-PLATE-ENCODER-MS08-2C	1	
3	235790023	BOLT	8	
4	296502564	ENCODER-COUPLER-26-50	1	
5	296502557	SCREW-CHS-M4-10-CL10.9	4	
6	296502556	ENCODER-SUP-78-53-51	1	
7	296502555	SCREW-CHC-M5-12-CL8.8	3	
8	296502558	ENCODER	1	
9	296502559	CORDSET	1	
10	296502561	ENCODER-HOUS-140-77-245	1	
11	296502750	SCREW-CHC-M8-20-CL10.9	4	
12	296502562	PLUG-CHC-9/16-18-UNF-NBR	1	
13	296502560	BULKHEAD CONN	1	
14	296470183	KIT-ENCODER-MOTOR-THRUST-POCLAIN	1	Includes Refs. 1-13.
	296488517	MS08 47.6 CI/REV-INTEGRATED ENCODER	A/R	Includes Ref. 14 (SN 831-)

Provided for Free by Trenchwell.com
Shop Aftermarket Parts

Breakdown-Thrust Motor w/ Brake

Fig 08-04T03



Breakdown-Thrust Motor w/ Brake

Fig 08-04T03

REF NO.	PART NO.	DESCRIPTION	QTY.	REMARKS
1	296368751	SHAFT	1	
2	256555007	BEARING	1	
3	276258005	BEARING SUPPORT	1	
4	274874001	BEARING-TPER-31313-C1	1	
5	296454043	CAM RING	1	
6	296454045	VALVING	1	
7	235790005	VALVING COVER	1	
8	235790007	SCREW	16	
9	296251798	PLUG	1	
10	64078027	SCREW-BLEEDING	2	
11	296251798	PLUG	1	
12	296454050	BRAKE SHAFT	1	
13	64078027	SCREW-BLEEDING	1	
14	296454055	BRAKE BODY	1	
15	296454049	SCREW M12	8	
16	296454054	BRAKE PISTON	1	
17	278973013	SPRING WASHER	1	
18	278973015	SNAP RING	1	
19	296454053	LOCK PLATE	1	
20	296454051	SCREW M8	4	
21	296278153	VALVE	1	
22	224897005	PISTON CL "0"	10	
23	274875001	KIT BEARING SUPPORT	1	Includes All Items Identified
24	296368755	SEAL KIT	1	Includes All Items Identified
25	224897017	REPAIR KIT-PISTON	1	Includes All Items Identified
26	296447326	SEAL KIT	1	Includes All Items Identified
27	296332007	REPAIR KIT - MS08	1	Includes All Items Identified
28	299026256	KITSAV-COMPR-SPRING-4.5-X	1	Includes All Items Identified
29	296454046	SPOOL KIT	1	Includes All Items Identified
30	296454057	BRAKE DISK KIT	1	Includes All Items Identified
31	296454056	BRAKE REPAIR KIT	1	Includes All Items Identified
	296454059	FULL SEAL KIT	1	Includes Items 23, 27 & 31
	296432753	MOTOR-47.6 CID MS08-A W /BRAKE	1	Includes All Items Listed Above

Thrust Brake/Shift Valve

Fig 08-05

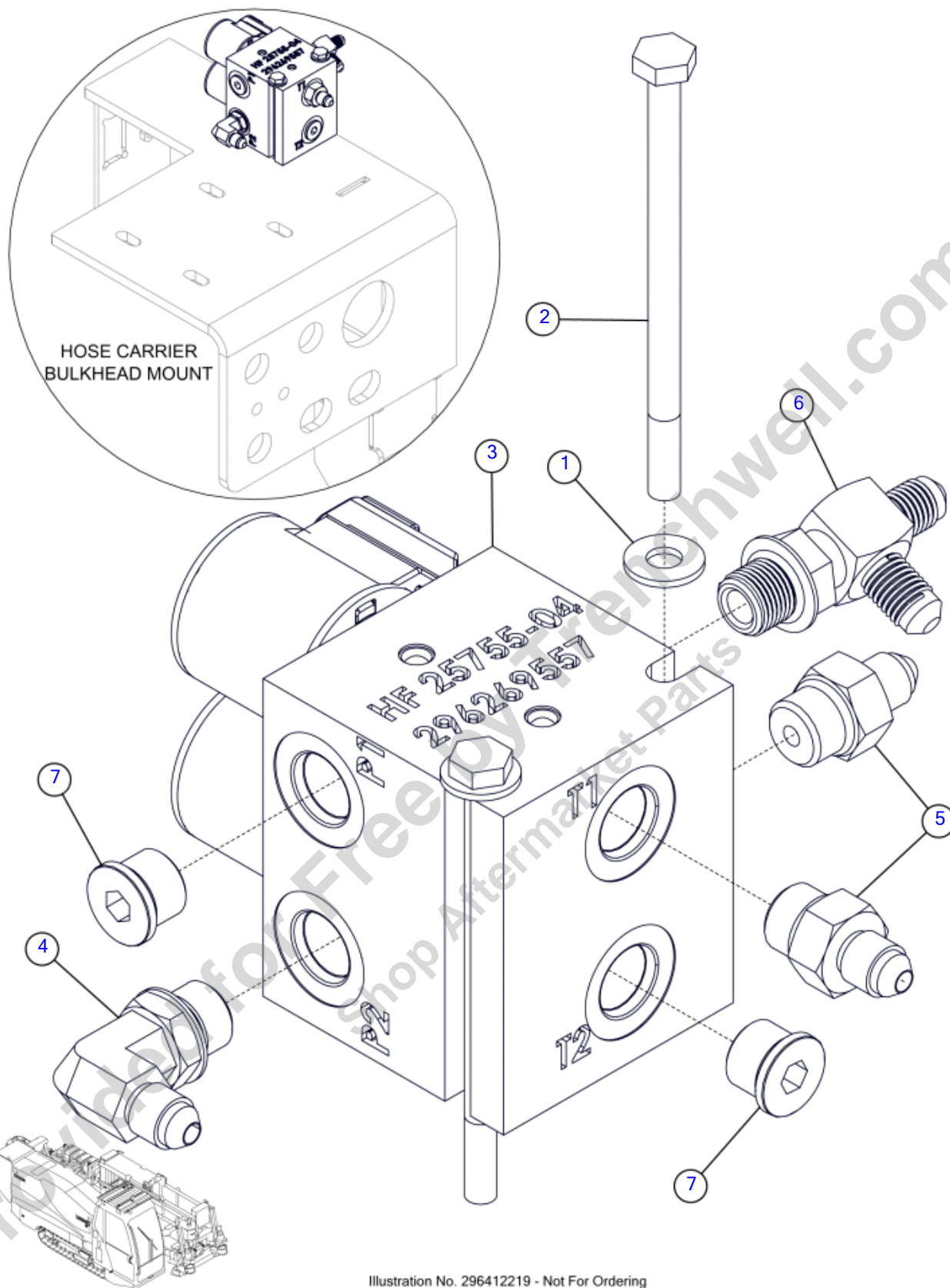


Illustration No. 296412219 - Not For Ordering

Thrust Brake/Shift Valve

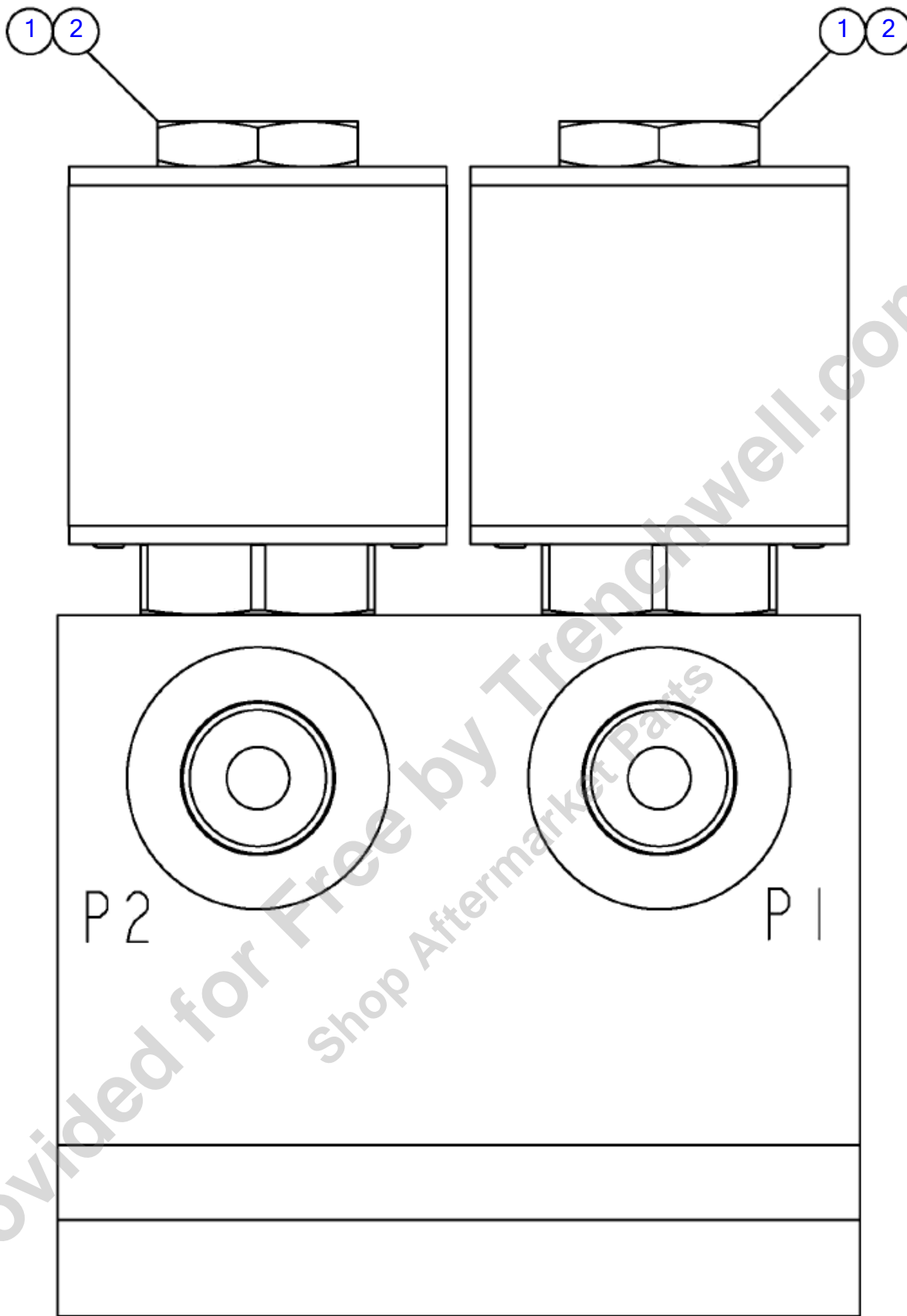
Fig 08-05

REF NO.	PART NO.	DESCRIPTION	QTY.	REMARKS
1	235716001	WASHER - FLATSTRL - .25 -.28 X .63 - .06 - CZ	2	
2	238243001	SCREW - HCS- .25 - 20 X 4.00 - GR8 -YZ	2	
3	296269557	VALVE- TWO SPEED W/BRAKE	1	Breakdown Fig. 8-5T01
4	57950001	FITTING - 90-6MORBA-4MJ	1	
5	57968001	FITTING-STR-4MJ-6MORB	2	
6	82930001	FIT-6MX4M JICX4M JIC (RUN) TEE	1	
7	86678001	PLUG-6M ORING HOLLOW HEX	2	

Provided for Free by Trenchwell.com
Shop Aftermarket Parts

Breakdown-Thrust Brake/Shift Valve

Fig 08-05T01



Breakdown-Thrust Brake/Shift Valve

Fig 08-05T01

REF NO.	PART NO.	DESCRIPTION	QTY.	REMARKS
1	228124017	CARTRIDGE SOLENOID	2	
1	161159001	SEAL KIT	2	
2	296271115	COIL	2	
2	244725007	NUT - COIL	2	
	296272931	PLUG	2	Not Shown
	296269557	VALVE- TWO SPEED W/BRAKE	1	Includes All Items Listed Above

Provided for Free by Trenchwell.com
Shop Aftermarket Parts

Rotation Gearbox Fig 08-06

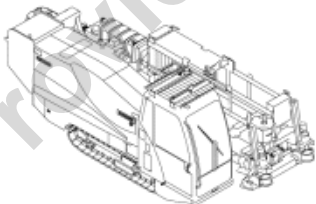
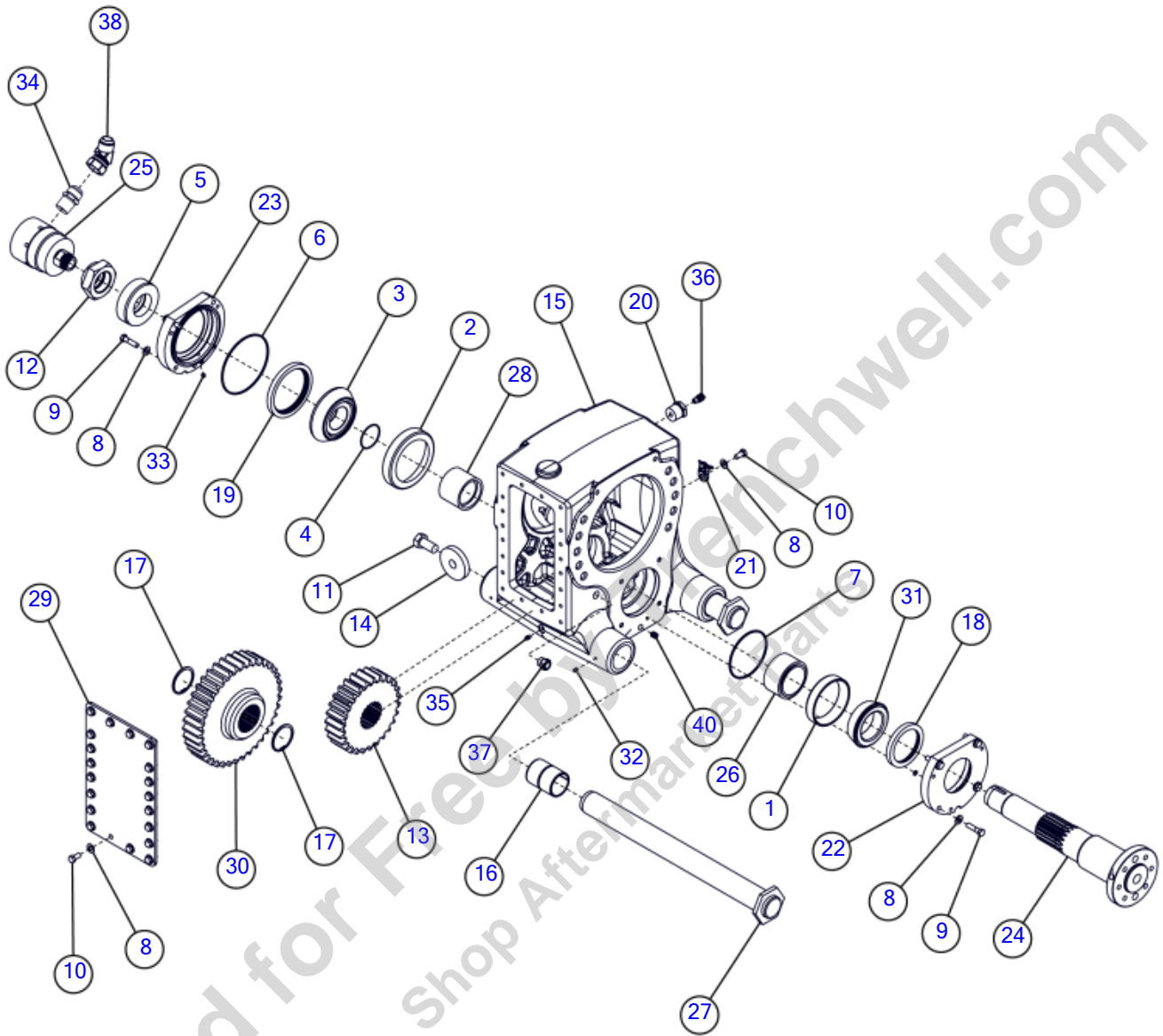


Illustration No. 296408681 - Not For Ordering

Rotation Gearbox

Fig 08-06

REF NO.	PART NO.	DESCRIPTION	QTY.	REMARKS
1	1715013	TIMKEN CUP 2 1/2in - 3920	1	
2	1715085	CUP BEARING	1	
3	1716099	CONE 2 1/8in BRG	1	
4	214202001	ORING 138	1	
5	215350001	SLEEVE SEAL	1	
6	228180001	O-RING -#252 7OD BUNA-N	1	
7	228181001	ORING 243 7OD BUNA N	1	
8	235713001	WASHER - FLATSTRL - .38 - .41 X .81 - .06-YA-A325	27	
9	235723001	SCREW - HCS -.38 - 16 X 1.50 - GR8 - YZ	6	
10	235726001	BOLT-3/8-16X3/4 GR8 HEX ZNCPLT	21	
11	238217001	BOLT-3/4-10X1 1/2 GR8 HEX ZYC	2	
12	278767001	NUT - 50X18-4000# SPEITH-LOCK	1	
13	296264247	GEAR - 27T - 4 D.P.	1	
14	296265249	PLATE - WASHER	2	
15	296269712	GEARBOX - MACHINED	1	
16	296269713	BUSHING-TENSION 2" ID	4	
17	296273519	SNAP RING (HO-237)	2	
18	296273548	SEAL-3. 125"-LIP	1	
19	296273549	SEAL 4.000in LIP	1	
20	296273639	FITTING - 16MNPT - 2FNPT - HEX -YZ	1	
21	296276018	MOUNT HELLER MANN TITON	1	
22	296279995	GLAND - FRONT SEAL	1	
23	296279996	GLAND - REAR SEAL	1	
24	296294624	SHAFT-ROTATION	1	
25	296294630	SWIVEL-#16MORB LH THREAD 1500# 1250 RPM/46 GPM	1	
25	276390003	REPAIR KIT	1	
26	296303813	SPACER - FRONT GEARBOX	1	
27	296412155	PIN - FLOATING HEAD D24X40III	2	
28	296412158	TUBE - GEAR SPACER D24X40III	1	
29	296412159	COVER - REMOVABLE GEARBOX	1	
30	296412249	GEAR-38T-4 D.P.	1	
31	4771061	BRG. CONE 3994	1	
32	523001	SSS-1/4-20X3/8	4	
33	523005	SCREW-1/4-20X1/4 SOCKET HD.SET	2	
34	59269001	ADAPTER-1 NPTX16 JIC ST	1	
35	598001	FITTING - 1/4" NF ST GREASE ZERK	2	
36	599001	BREATHER VENT-1/8 NPT 131000	1	
37	613754001	PLUG - SIGHT .75-16 ZC	1	
38	61702001	FITTING-16M JIC X 16FS JIC 45	1	
39	78185027	O-RING # 407228	2	
40	78202001	PLUG-1/4NPT SOCKET HEAD PIPE	1	

Rotation Gearbox (SN 383-)

Fig 08-06R01

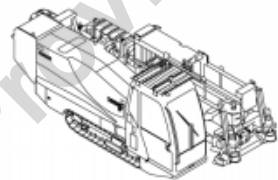
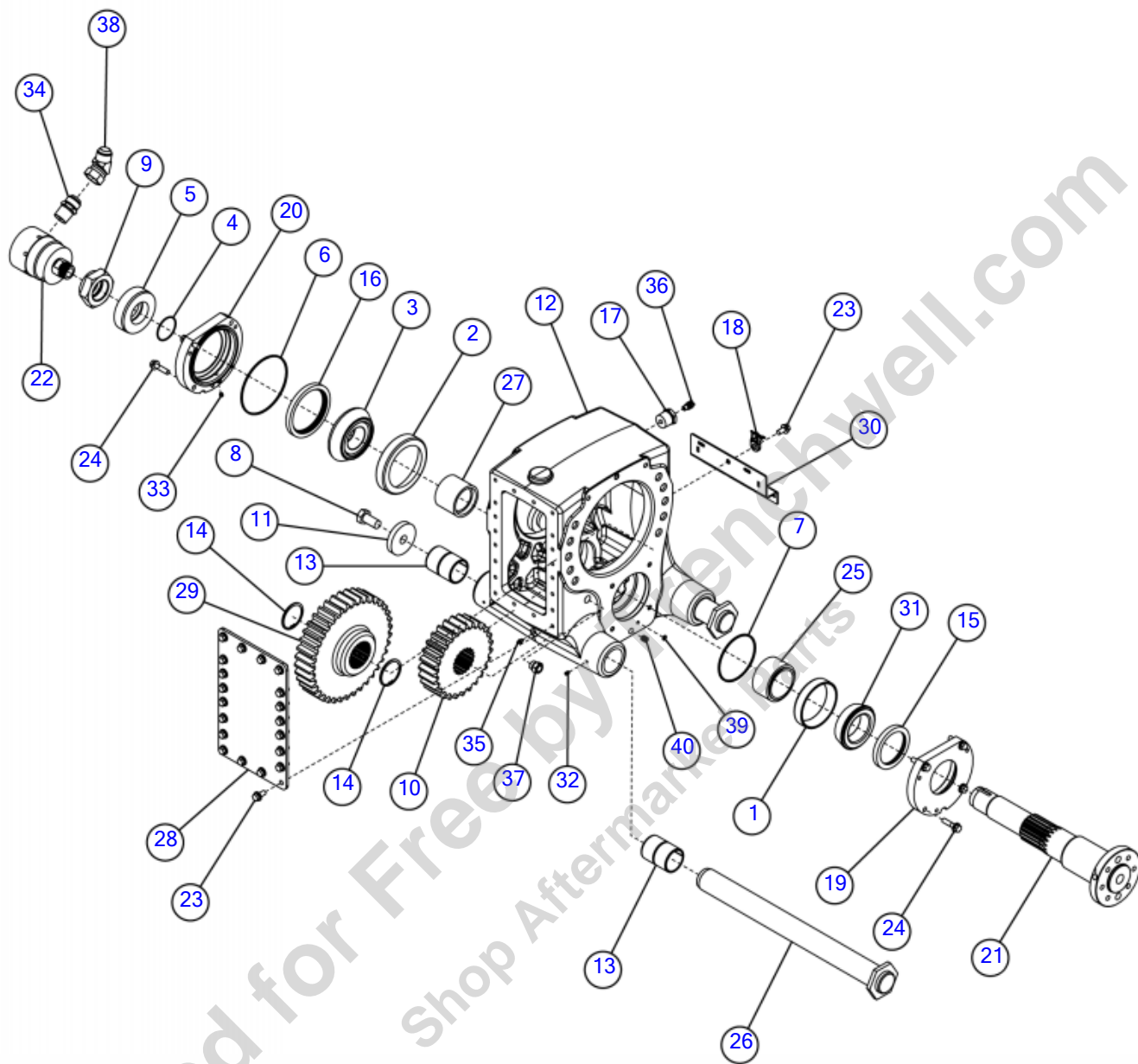


Illustration No. 296408681 - Not For Ordering

Rotation Gearbox (SN 383-)

Fig 08-06R01

REF NO.	PART NO.	DESCRIPTION	QTY.	REMARKS
1	1715013	TIMKEN CUP 2 1/2in - 3920	1	
2	1715085	CUP BEARING	1	
3	1716099	CONE 2 1/8in BRG	1	
4	214202001	ORING 138	1	
5	215350001	SLEEVE SEAL	1	
6	228180001	O-RING -#252 7OD BUNA-N	1	
7	228181001	ORING 243 7OD BUNA N	1	
8	238217001	BOLT-3/4-10X1 1/2 GR8 HEX ZYC	2	
9	278767001	NUT - 50X18-4000# SPEITH-LOCK	1	
10	296264247	GEAR - 27T - 4 D.P.	1	
11	296265249	PLATE - WASHER	2	
12	296269712	GEARBOX - MACHINED	1	
13	296269713	BUSHING-TENSION 2" ID	4	
14	296273519	SNAP RING (HO-237)	2	
15	296273548	SEAL-3. 125"-LIP	1	
16	296273549	SEAL 4.000in LIP	1	
17	296273639	FITTING - 16MNPT - 2FNPT - HEX -YZ	1	
18	296276018	MOUNT HELLER MANN TITON	1	
19	296279995	GLAND - FRONT SEAL	1	
20	296279996	GLAND - REAR SEAL	1	
21	296294624	SHAFT-ROTATION	1	
22	296294630	SWIVEL-#16MORB LH THREAD 1500# 1250 RPM/46 GPM	1	
23	296300771	SCREW-HFS-.38-16X.75GR8-YZ	21	
24	296300774	SCREW HFS .38 - 16 X 1.50 GR8 YZ	6	
25	296303813	SPACER - FRONT GEARBOX	1	
26	296412155	PIN - FLOATING HEAD D24X40III	2	
27	296412158	TUBE - GEAR SPACER D24X40III	1	
28	296412159	COVER - REMOVABLE GEARBOX	1	
29	296412249	GEAR-38T-4 D.P.	1	
30	296462979	PLATE - LOOM COVER SN:000383--	1	(SN 383-)
31	4771061	BRG. CONE 3994	1	
32	523001	SSS-1/4-20X3/8	4	
33	523005	SCREW-1/4-20X1/4 SOCKET HD.SET	2	
34	59269001	ADAPTER-1 NPTX16 JIC ST	1	
35	598001	FITTING - 1/4" NF ST GREASE ZERK	2	
36	599001	BREATHER VENT-1/8 NPT 131000	1	
37	613754001	PLUG - SIGHT .75-16 ZC	1	
38	61702001	FITTING-16M JIC X 16FS JIC 45	1	
39	78185027	O-RING # 407228	2	
40	78202001	PLUG-1/4NPT SOCKET HEAD PIPE	1	

Rotation Motors

Fig 08-07

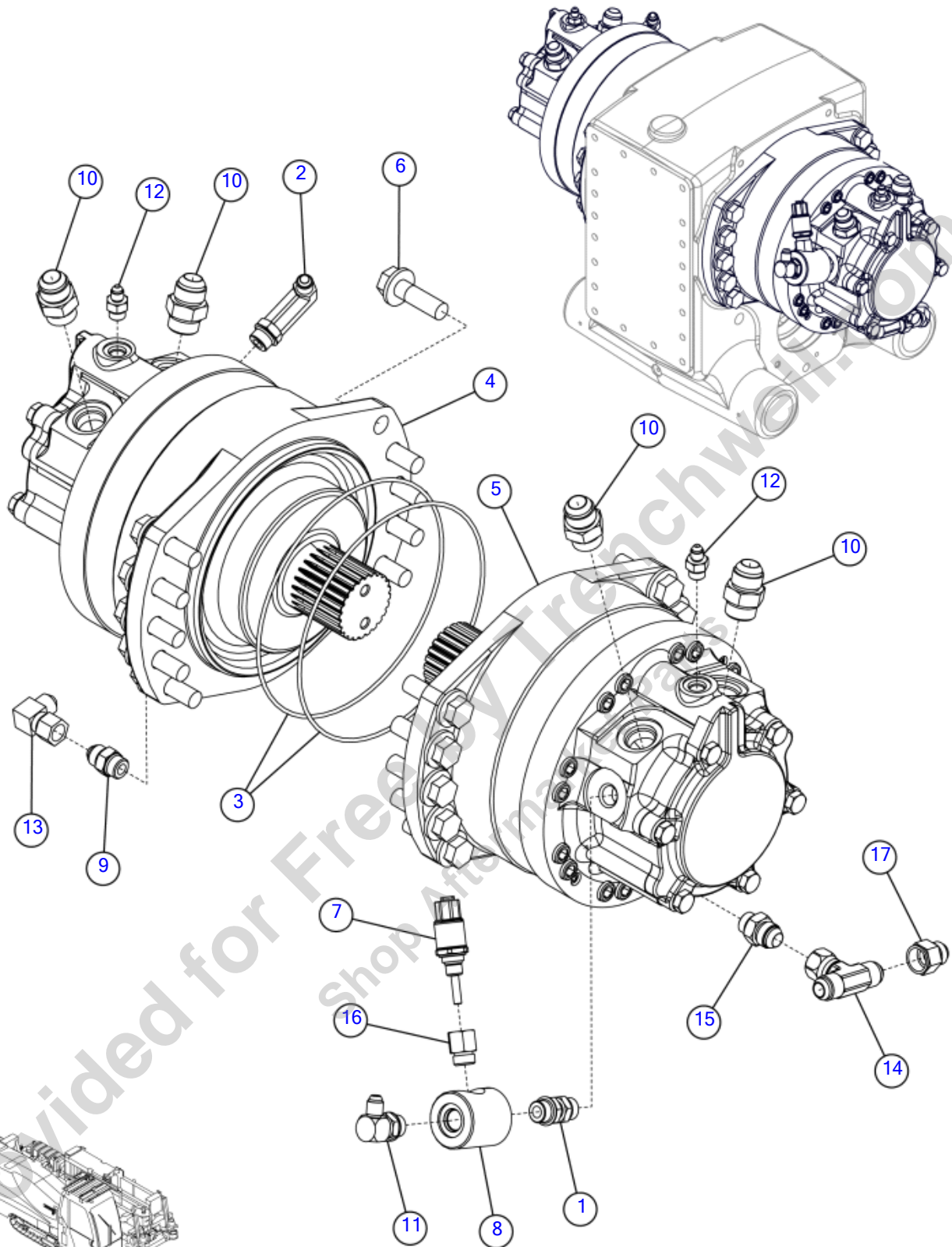


Illustration No. 296432068 - Not For Ordering

Rotation Motors

Fig 08-07

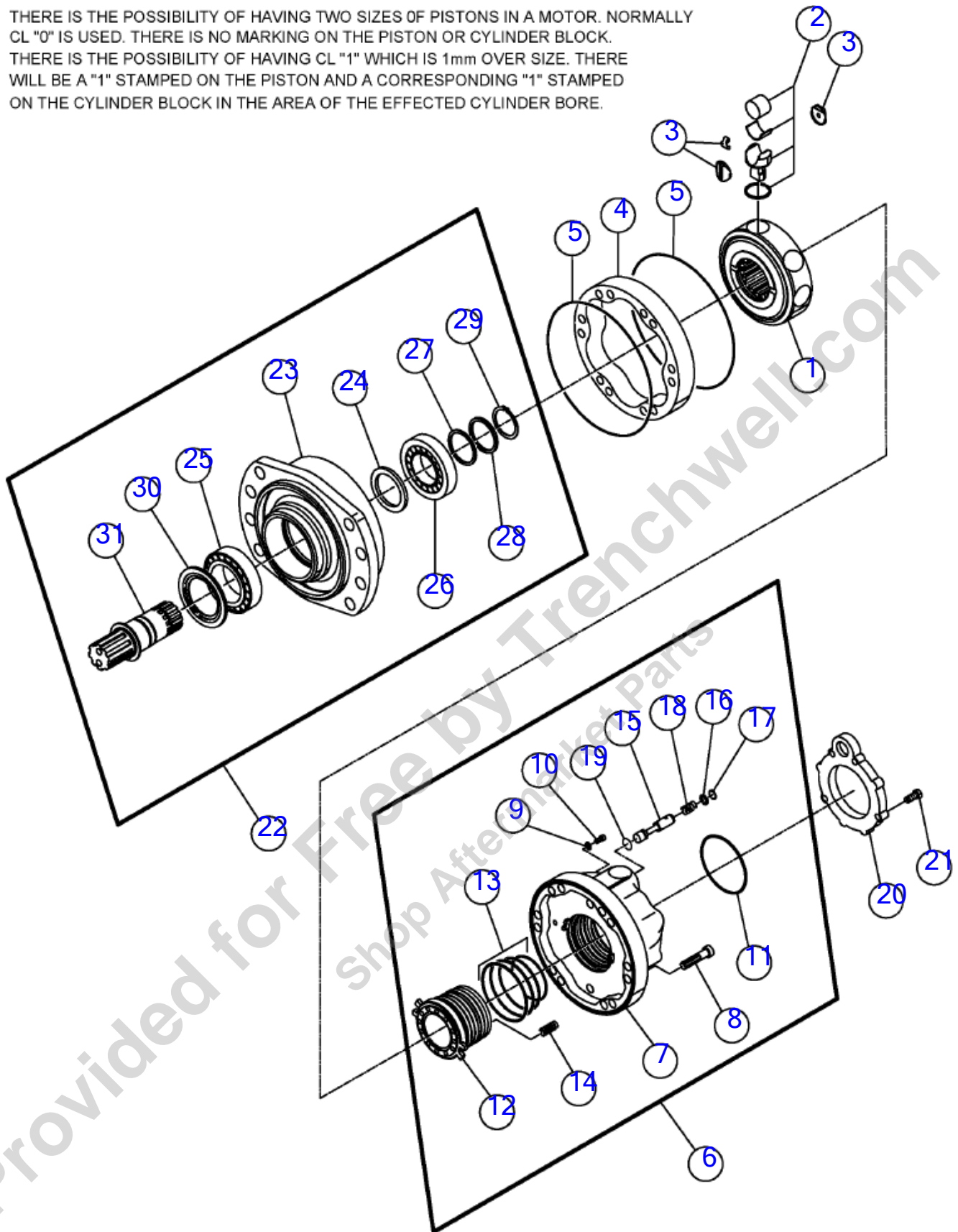
REF NO.	PART NO.	DESCRIPTION	QTY.	REMARKS
1	110471001	FITTING USTR 8MORB 8MORBA HEX	1	
2	270346001	FITTING-90-6MJ-8MORBA-LL	1	
3	109599001	O RING-AS 266 8IN. NOMINAL ID	2	
3	(280763001)	O-RING #266	2	
4	296279981	MOTOR - HYD MS08 - 9 D	1	Breakdown Fig. 8-7T02
5	296279982	MOTOR - HYD MS08 - P G	1	Breakdown Fig. 8-7T01
6	296300802	SCREW HFS .63 11 X 2.00 GR8 YZ	20	
7	296394151	TEMP. TRANSDUCER-HYDAC 1" PROBE	1	
8	296443786	ADAPTER #8 SAE STAND-OFF MEDIUM NAV	1	
9	53824001	FITTING-#8M O-RING-#8M JIC ST.	1	
10	53828001	FITTING-12M O-RING X 12M JIC ST.	4	
11	57954001	FITTING-8M O-RING X 6M JIC 90 DEGS	1	
12	57968001	FITTING-STR-4MJ-6MORB	2	
13	59405001	FITTING-8M JICX8FS JIC 90 DEG.ELBOW	1	
14	65566001	TEE-10FS JIC BCHX10MJICX10MJIC	1	
15	67850001	FITTING 8M X 10M JIC STR	1	
16	81925001	FITTING-8MX6F STRAIGHT	1	
17	86670001	FITTING-ADAPT 10FJICX8MJIC RED	1	

Provided for Free by Trenchwell.com
Shop Aftermarket Parts

Breakdown-Rotation Motor

Fig 08-07T01

THERE IS THE POSSIBILITY OF HAVING TWO SIZES OF PISTONS IN A MOTOR. NORMALLY CL "0" IS USED. THERE IS NO MARKING ON THE PISTON OR CYLINDER BLOCK. THERE IS THE POSSIBILITY OF HAVING CL "1" WHICH IS 1mm OVER SIZE. THERE WILL BE A "1" STAMPED ON THE PISTON AND A CORRESPONDING "1" STAMPED ON THE CYLINDER BLOCK IN THE AREA OF THE EFFECTED CYLINDER BORE.



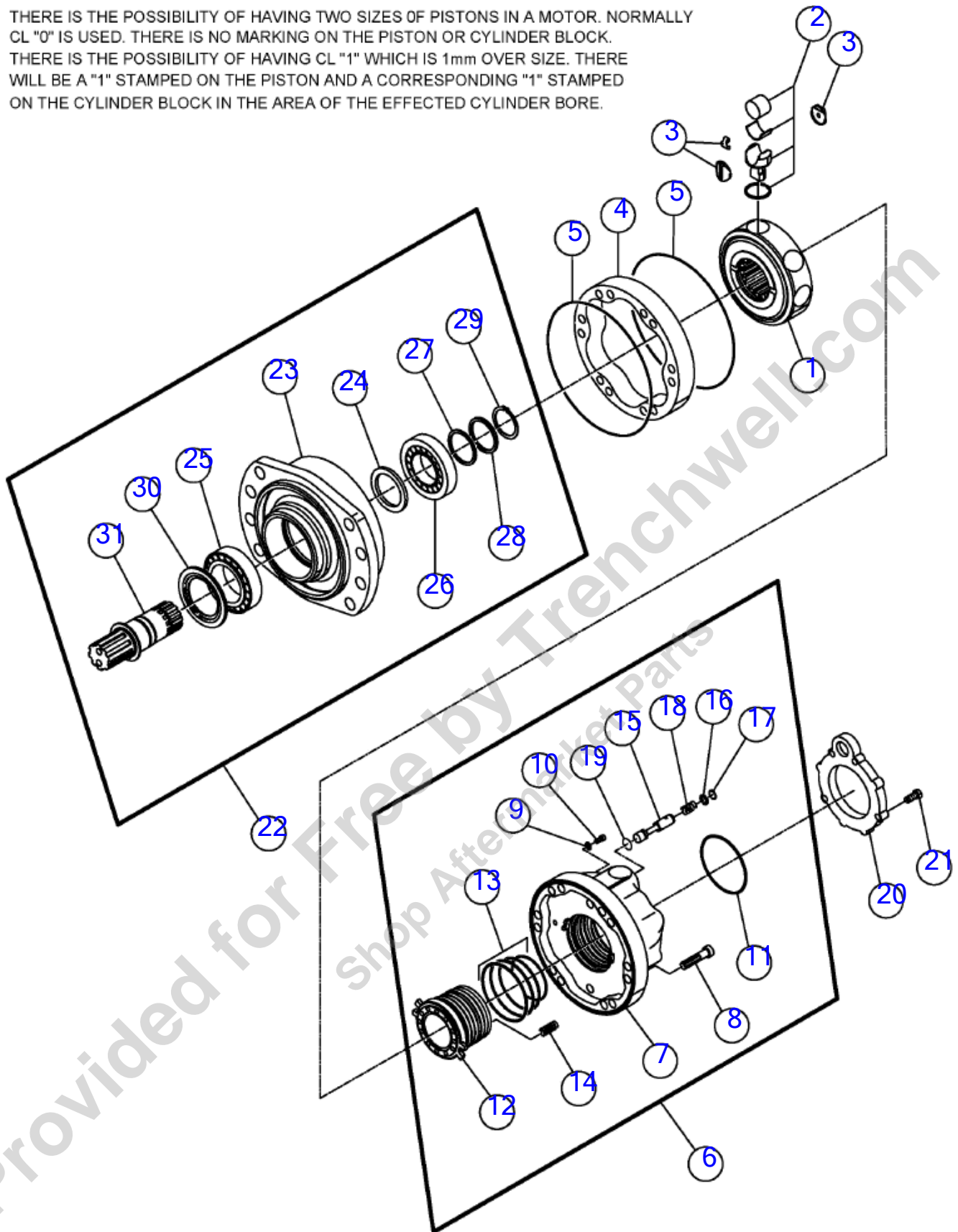
Breakdown-Rotation Motor

Fig 08-07T01

REF NO.	PART NO.	DESCRIPTION	QTY.	REMARKS
1	224897003	CYLINDER BLOCK	1	Includes Items 2 & 3
2	224897005	PISTON CL "0"	1	
3	224897017	REPAIR KIT-PISTON	1	
4	296278023	CAM RING	1	
5	208152001	ORING	2	
6	296278024	VALVING COVER ASSEMBLY	1	Includes Items 7 thru 19
7	235790005	VALVING COVER	1	
8	235790007	SCREW	16	
9	64078025	WASHER	2	
10	64078027	SCREW-BLEEDING	2	
11	608385001	ORING	1	
12	296278025	VALVING .	1	
13	208157001	VALVE SEAL RING (PKG OF 8)	1	
14	84550029	SPRING	8	
15	235790013	VALVE SPOOL	1	
16	235790017	WASHER	1	
17	235790019	SNAP RING	1	
18	235790015	SPRING	1	
19	235790011	O-RING	1	
20	235790021	BACK PLATE	1	Includes Item 21 (6 pcs)
21	235790023	BOLT	6	
22	276258011	BEARING SUPPORT ASSEMBLY	1	includes Items 23 thru 31
23	276258005	BEARING SUPPORT	1	
24	208160001	INNER SHAFT SEAL	1	
25	256555007	BEARING	1	
26	208162001	INNER BEARING	1	
27	208163001	SHIM SET	1	
28	208164001	WASHER	1	
29	208165001	SNAP RING	1	
30	276258007	ENVIRONMENTAL SEAL	1	
31	276258009	SHAFT .	1	
	256555029	SEAL KIT	2	
	296279981	MOTOR - HYD MS08 - 9 D	1	Includes All Items Listed Above

Breakdown-Rotation Motor Fig 08-07T02

THERE IS THE POSSIBILITY OF HAVING TWO SIZES OF PISTONS IN A MOTOR. NORMALLY CL "0" IS USED. THERE IS NO MARKING ON THE PISTON OR CYLINDER BLOCK. THERE IS THE POSSIBILITY OF HAVING CL "1" WHICH IS 1mm OVER SIZE. THERE WILL BE A "1" STAMPED ON THE PISTON AND A CORRESPONDING "1" STAMPED ON THE CYLINDER BLOCK IN THE AREA OF THE EFFECTED CYLINDER BORE.



Breakdown-Rotation Motor

Fig 08-07T02

REF NO.	PART NO.	DESCRIPTION	QTY.	REMARKS
1	224897003	CYLINDER BLOCK	1	Includes Items 2 & 3
2	224897005	PISTON CL "0"	1	
3	224897017	REPAIR KIT-PISTON	1	
4	296278023	CAM RING	1	
5	208152001	ORING	2	
6	296278024	VALVING COVER ASSEMBLY	1	Includes Items 7 thru 19
7	235790005	VALVING COVER	1	
8	235790007	SCREW	16	
9	64078025	WASHER	2	
10	64078027	SCREW-BLEEDING	2	
11	608385001	ORING	1	
12	296278025	VALVING .	1	
13	208157001	VALVE SEAL RING (PKG OF 8)	1	
14	84550029	SPRING	8	
15	235790013	VALVE SPOOL	1	
16	235790017	WASHER	1	
17	235790019	SNAP RING	1	
18	235790015	SPRING	1	
19	235790011	O-RING	1	
20	235790021	BACK PLATE	1	Includes Item 21 (6 pcs)
21	235790023	BOLT	6	
22	276258011	BEARING SUPPORT ASSEMBLY	1	includes Items 23 thru 31
23	276258005	BEARING SUPPORT	1	
24	208160001	INNER SHAFT SEAL	1	
25	256555007	BEARING	1	
26	208162001	INNER BEARING	1	
27	208163001	SHIM SET	1	
28	208164001	WASHER	1	
29	208165001	SNAP RING	1	
30	276258007	ENVIRONMENTAL SEAL	1	
31	276258009	SHAFT .	1	
	256555029	SEAL KIT	2	
	296279982	MOTOR - HYD MS08 - P G	1	Includes All Items Listed Above

Gearbox Rotation Valve

Fig 08-08

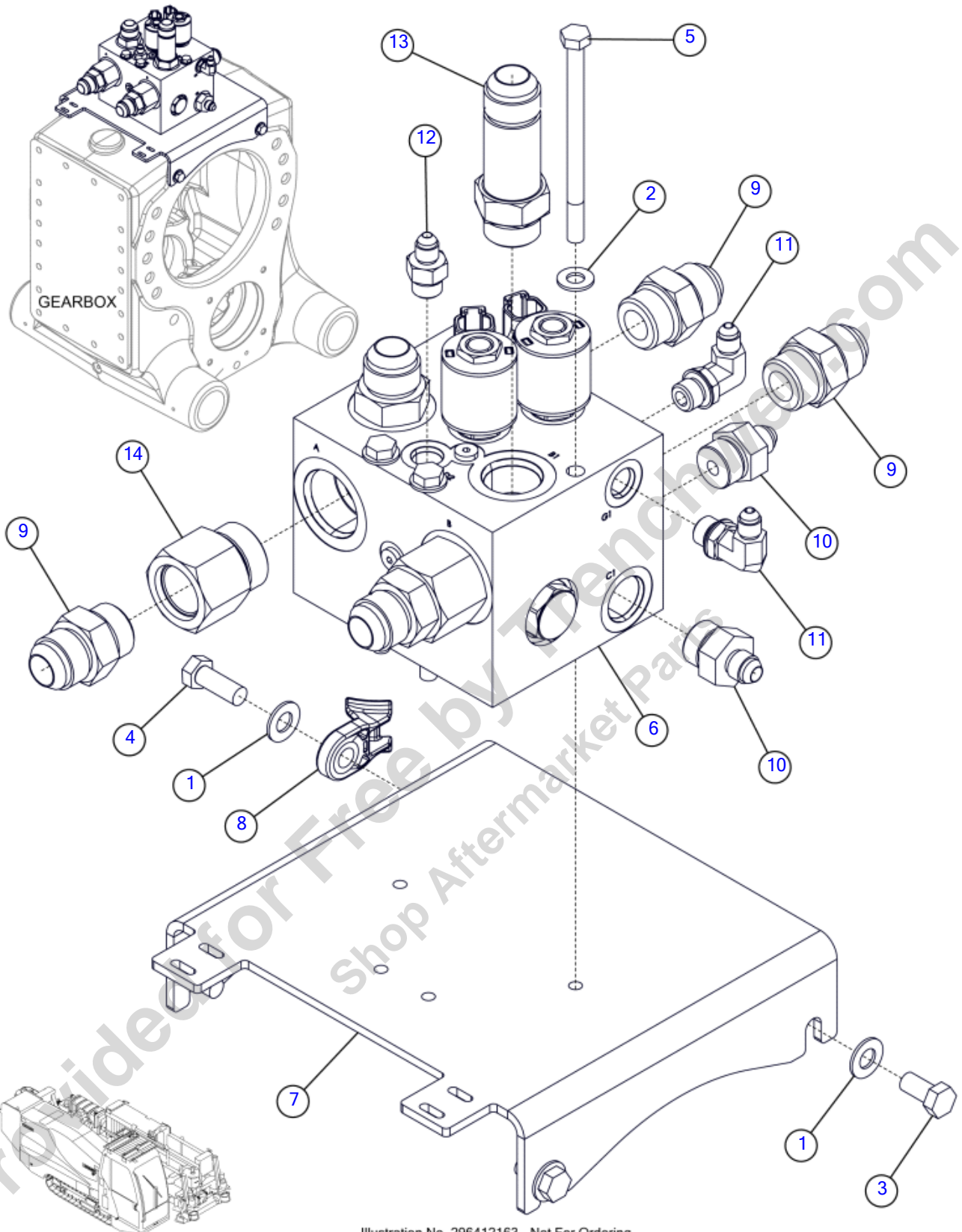


Illustration No. 296412163 - Not For Ordering

Gearbox Rotation Valve

Fig 08-08

REF NO.	PART NO.	DESCRIPTION	QTY.	REMARKS
1	235713001	WASHER - FLATSTRL - .38 - .41 X .81 - .06-YA-A325	4	
2	235714001	WASHER - 5/16 FLAT, ZN	4	
3	235726001	BOLT-3/8-16X3/4 GR8 HEX ZNCPLT	3	
4	235727001	SCREW-HCS-.38-16X1.00-GR8-YZ	1	
5	250523001	BOLT-5/16-18 X 4 1/2 GR8 HEX Y	4	
6	296347048	VALVE-LOOP FLUSH	1	Breakdown Fig. 8-8T01
7	296462981	PLATE - 3 SPEED VALVE MOUNT	1	
7	(296412140)	PLATE - 3 SPEED VALVE MOUNT	1	
8	510508208	CABLE TIE MOUNT-HIGH TORQUE HEAVY DUTY WITH METAL	1	
9	53828001	FITTING-12M O-RING X 12M JIC ST.	5	
10	57946001	FITTING-10MX#6JIC ST ADAPTER	2	
11	57950001	FITTING - 90-6MORBA-4MJ	2	
12	57968001	FITTING-STR-4MJ-6MORB	1	
13	59434001	ADAPTER-12M JICX12M LONG ST THRD	1	
14	71252001	FITTING - STR - 16MORB - 12FORB	2	

Provided for Free by Trenchwell.com
Shop Aftermarket Parts

Gearbox Rotation Valve (SN 383-)

Fig 08-08R01

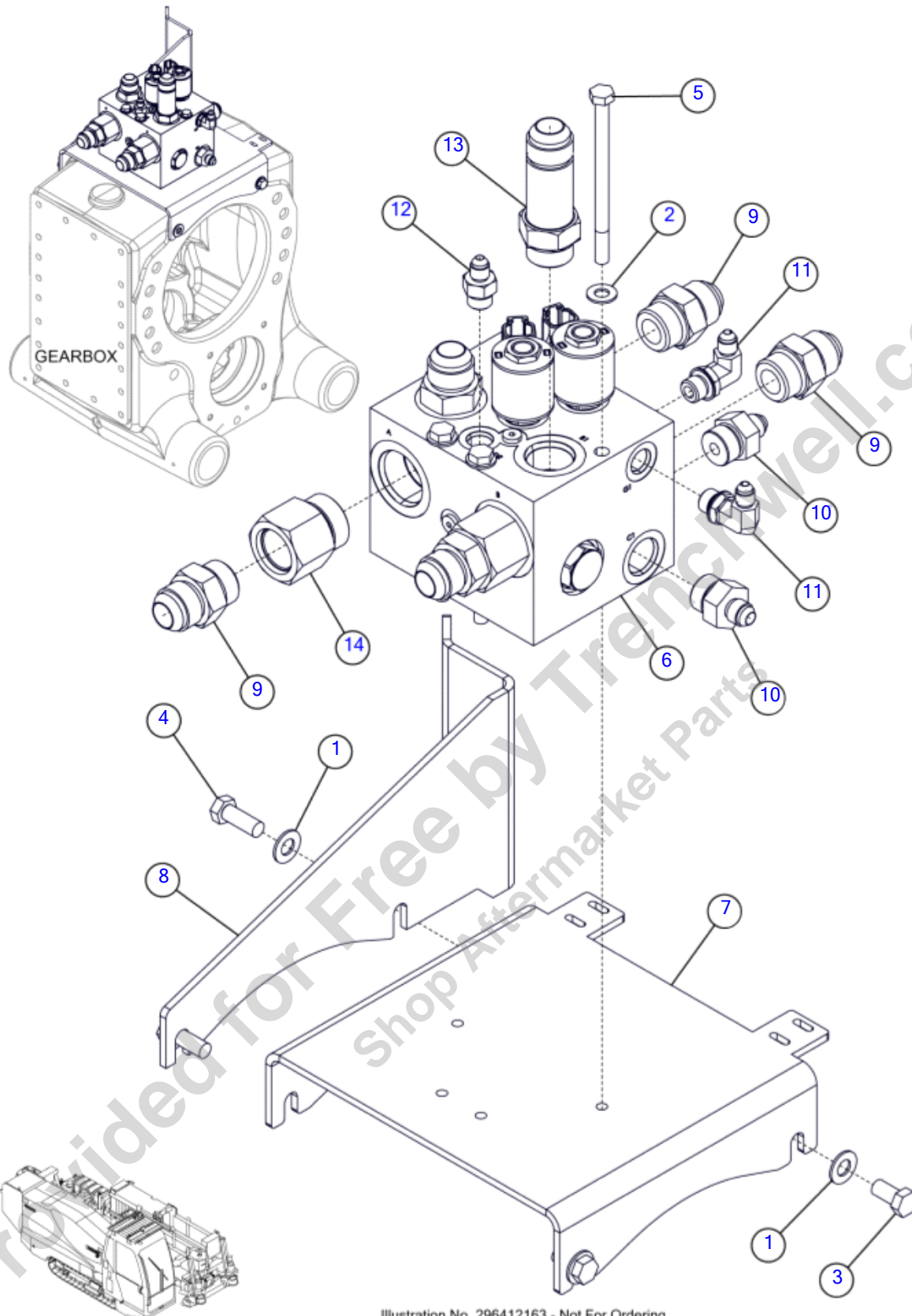


Illustration No. 296412163 - Not For Ordering

Gearbox Rotation Valve (SN 383-)

Fig 08-08R01

REF NO.	PART NO.	DESCRIPTION	QTY.	REMARKS
1	235713001	WASHER - FLATSTRL - .38 - .41 X .81 - .06-YA-A325	4	
2	235714001	WASHER - 5/16 FLAT, ZN	4	
3	235726001	BOLT-3/8-16X3/4 GR8 HEX ZNCPLT	2	(383-)
4	235727001	SCREW-HCS-.38-16X1.00-GR8-YZ	2	(383-)
5	250523001	BOLT-5/16-18 X 4 1/2 GR8 HEX Y	4	
6	296347048	VALVE-LOOP FLUSH	1	Breakdown Fig. 8-8T01
7	296462981	PLATE - 3 SPEED VALVE MOUNT	1	(383-)
8	296462992	LOOM GUIDE	1	(383-)
9	53828001	FITTING-12M O-RING X 12M JIC ST.	5	
10	57946001	FITTING-10MX#6JIC ST ADAPTER	2	
11	57950001	FITTING - 90-6MORBA-4MJ	2	
12	57968001	FITTING-STR-4MJ-6MORB	1	
13	59434001	ADAPTER-12M JICX12M LONG ST THRD	1	
14	71252001	FITTING - STR - 16MORB - 12FORB	2	

Provided for Free by Trenchwell.com
Shop Aftermarket Parts

Gearbox Rotation Valve (SN 421-)

Fig 08-08R02

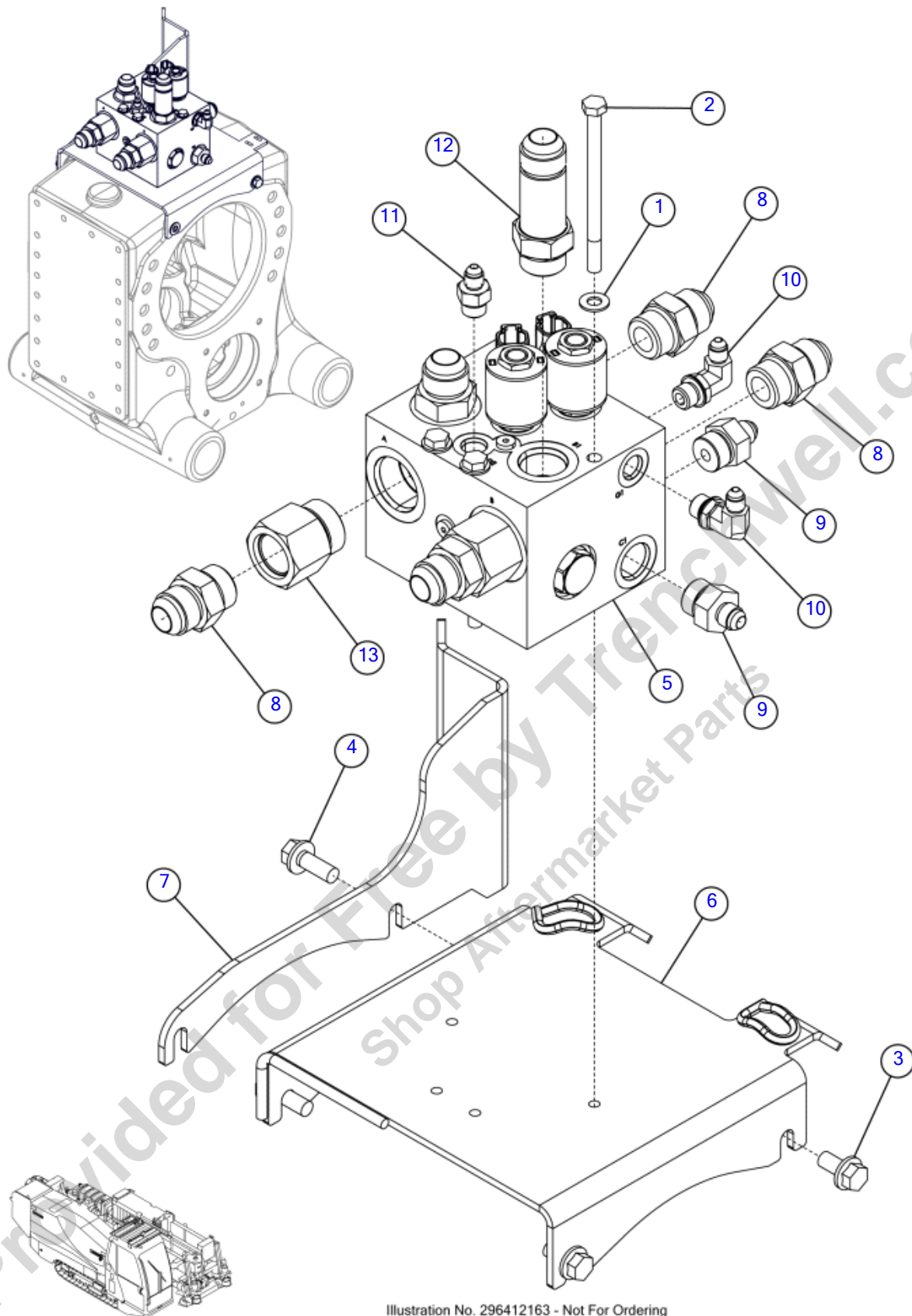


Illustration No. 296412163 - Not For Ordering

Gearbox Rotation Valve (SN 421-)

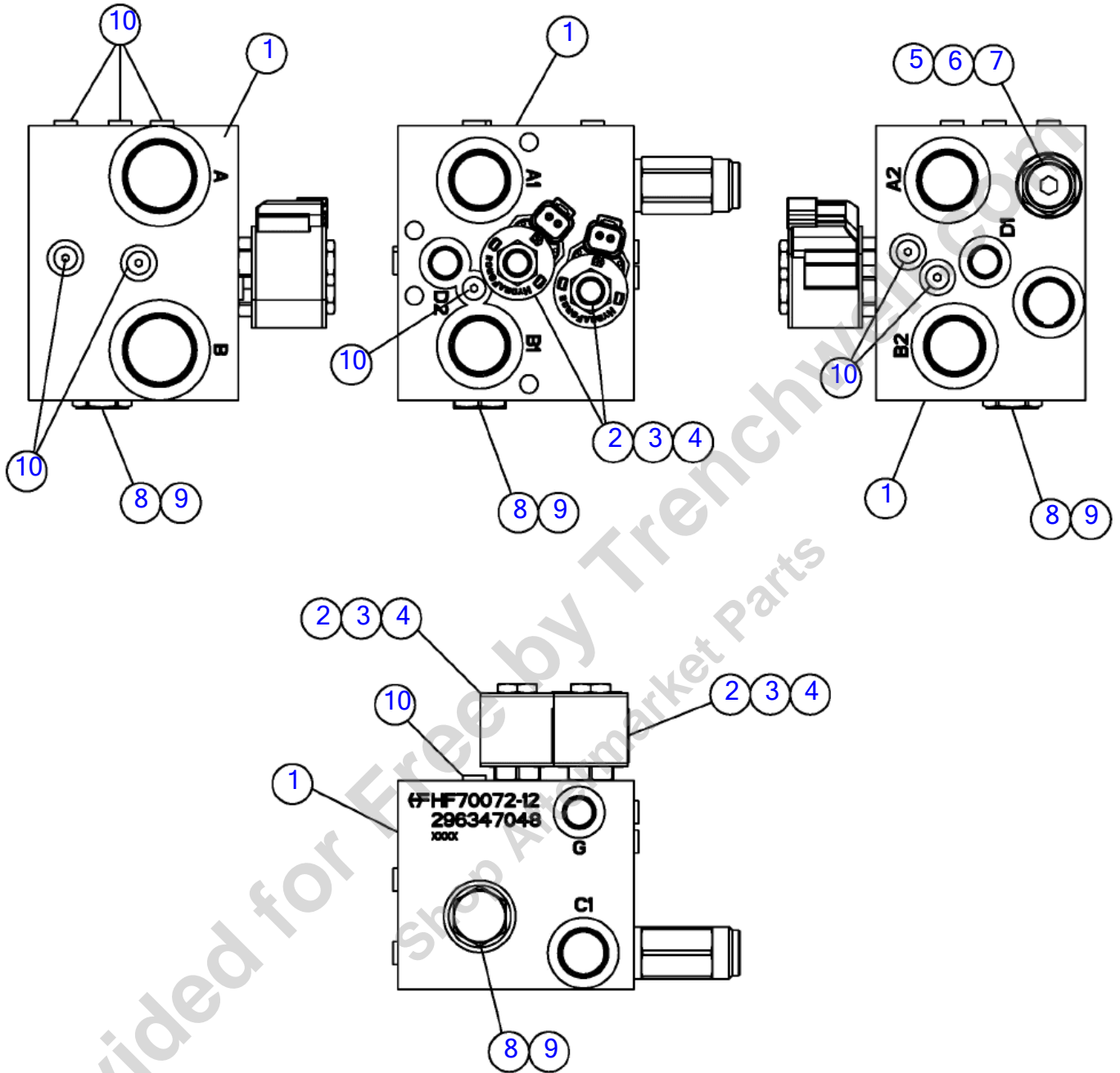
Fig 08-08R02

REF NO.	PART NO.	DESCRIPTION	QTY.	REMARKS
1	235714001	WASHER - 5/16 FLAT, ZN	4	
2	250523001	BOLT-5/16-18 X 4 1/2 GR8 HEX Y	4	
3	296300771	SCREW-HFS-.38-16X.75GR8-YZ	2	
4	296300772	SCREW HFS .38-16X1.00 GR8 YZ	2	
5	296347048	VALVE-LOOP FLUSH	1	Breakdown Fig. 8-8T01
6	296459177	WELDMENT - 3 SPEED VALVE MOUNT SN:000421--	1	(SN 421-)
7	296462992	LOOM GUIDE SN:000421--	1	(SN 421-)
8	53828001	FITTING-12M O-RING X 12M JIC ST.	5	
9	57946001	FITTING-10MX#6JIC ST ADAPTER	2	
10	57950001	FITTING - 90-6MORBA-4MJ	2	
11	57968001	FITTING-STR-4MJ-6MORB	1	
12	59434001	ADAPTER-12M JICX12M LONG ST THRD	1	
13	71252001	FITTING - STR - 16MORB - 12FORB	2	

Provided for Free by Trenchwell.com
Shop Aftermarket Parts

Breakdown-Gearbox Rotation Valve

Fig 08-08T01



Breakdown-Gearbox Rotation Valve

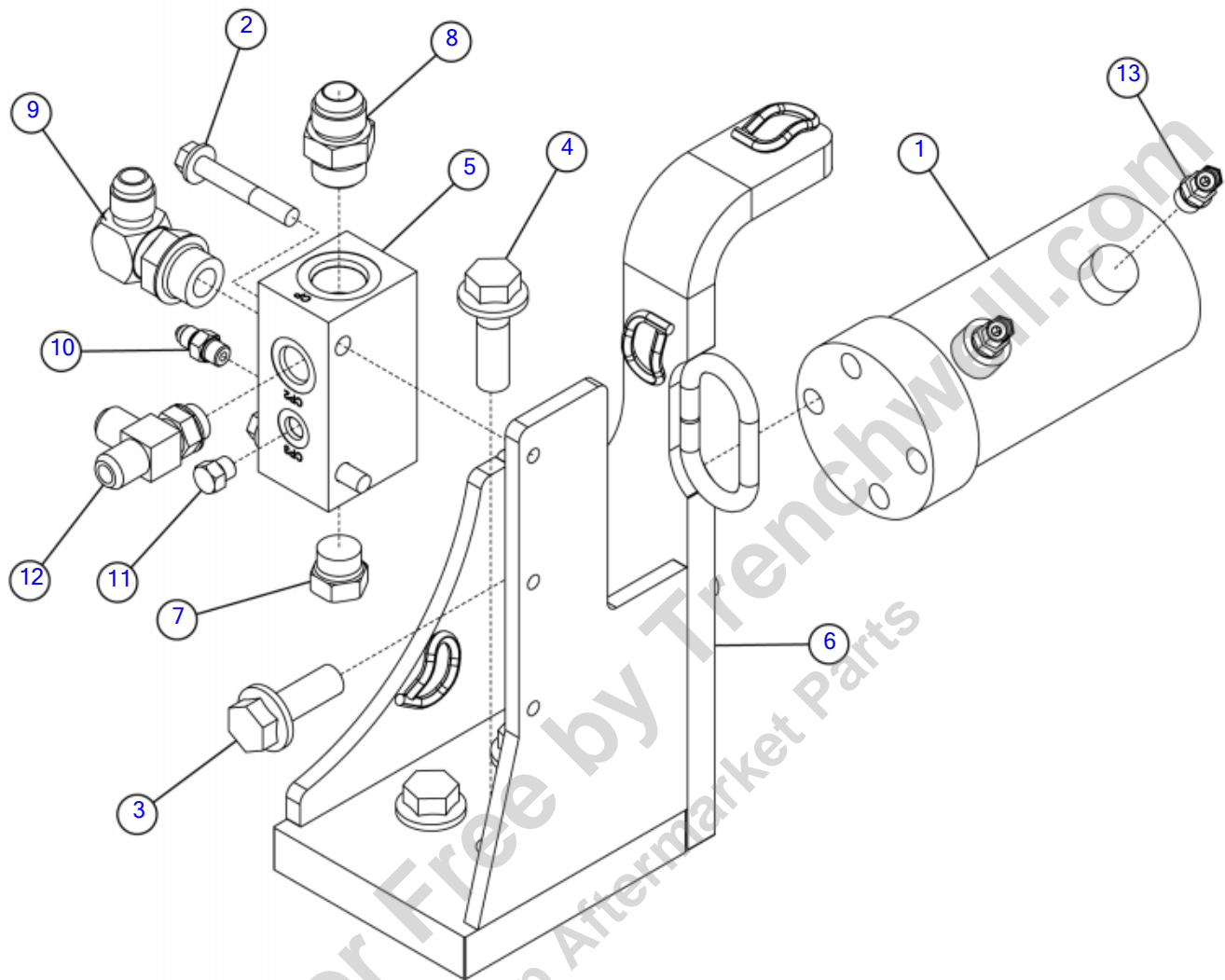
Fig 08-08T01

REF NO.	PART NO.	DESCRIPTION	QTY.	REMARKS
1		BLOCK	1	Not Sold Separately
2	161158001	SPOOL-3 WAY	2	
3	161159001	SEAL KIT	2	
4	296271115	COIL	2	
5	296251232	VALVE - RELIEF	1	
6	240324005	SEAL KIT	1	
7	296285182	ORIFICE	1	
8	251117003	SHUTTLE - HOT OIL (SPRINGLESS)	1	
9	296367712	SEAL KIT	1	
10	240324015	PLUG-SAE	11	
	296347048	VALVE-LOOP FLUSH	1	Includes All Items Listed Above

Provided for Free by Trenchwell.com
Shop Aftermarket Parts

Gearbox Lock Cylinder

Fig 08-09



Provided for Free by Trenchwall.com
Shop Aftermarket Parts

Gearbox Lock Cylinder

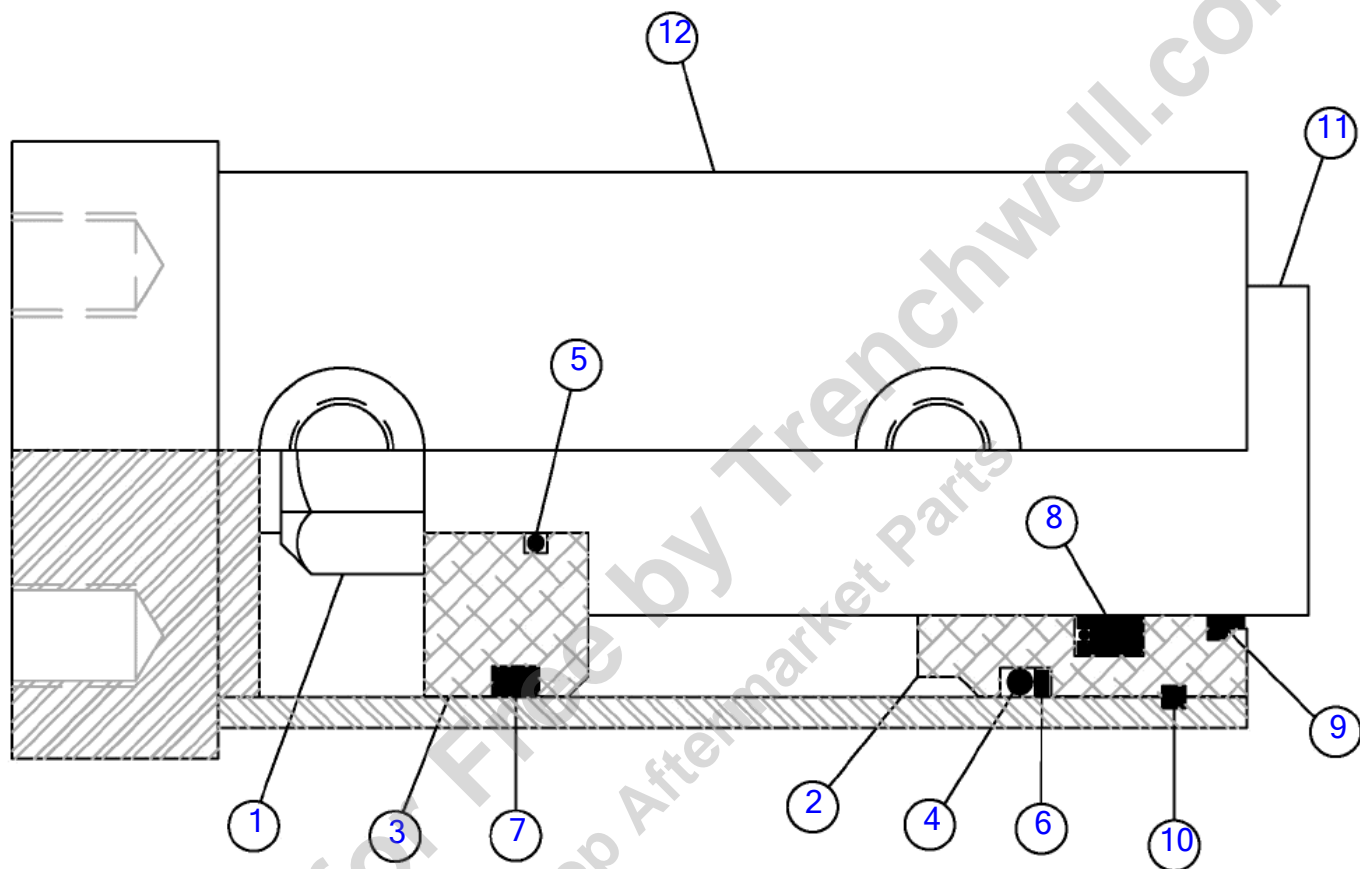
Fig 08-09

REF NO.	PART NO.	DESCRIPTION	QTY.	REMARKS
1	278306001	CYLINDER - HYDRAULIC LOCK	1	Breakdown Fig 8-9T01
2	296300778	SCREW-HFS-.38-16.2.50-GR8-YZ	2	
3	296300801	SCREW,HFS,.63,11X1.75,GR8,YZ	4	
4	296300802	SCREW HFS .63 11 X 2.00 GR8 YZ	4	
5	296340797	VALVE-CHARGE PSI DISTRIBUTION	1	
6	296462954	WELDMENT - BRACKET - LOCK CYLINDER	1	
7	4235001	FITTING - PLUG - 10MORB - HEX	1	
8	53828001	FITTING-12M O-RING X 12M JIC ST.	1	
9	59409001	ELBOW-10M JICX12M ADJ. 90 DEG	1	
10	60908001	FITTING-4MX4M JIC STR ADAPTER	1	
11	67263001	FITTING - PLUG - 4MORB - HEX	1	
12	81705001	FITTING-8MX8M JIC(RUN)X8M JIC	1	
13	82931001	FITTING 45 4MJX6MORBA	2	

Provided for Free by Trenchwell.com
Shop Aftermarket Parts

Breakdown-Gearbox Lock Cylinder

Fig 08-09T01



Breakdown-Gearbox Lock Cylinder
Fig 08-09T01

REF NO.	PART NO.	DESCRIPTION	QTY.	REMARKS
1	306011	NUT-1-14 SL PRINCE 220000210	1	
2	278306002	HEAD - CYLINDER	1	
3	278306003	PISTON - CYLINDER	1	
4		O-RING	1	Not Sold Separately
5		O-RING	1	Not Sold Separately
6		BACKUP	1	Not Sold Separately
7		PSP SEAL	1	Not Sold Separately
8		POLYPACK	1	Not Sold Separately
9		DUST SEAL	1	Not Sold Separately
10		RETAINING RING	1	Not Sold Separately
11	278306004	SHAFT - CYLINDER	1	
12	278306005	BARREL W/ PORTS	1	
	278306006	REPAIR KIT	1	Includes Items 4 thru 9
	278306001	CYLINDER - HYDRAULIC LOCK	1	Includes All Items In Figure

Provided for Free by Trenchwell.com
Shop Aftermarket Parts

Hose Carrier & Tower
Fig 08-10

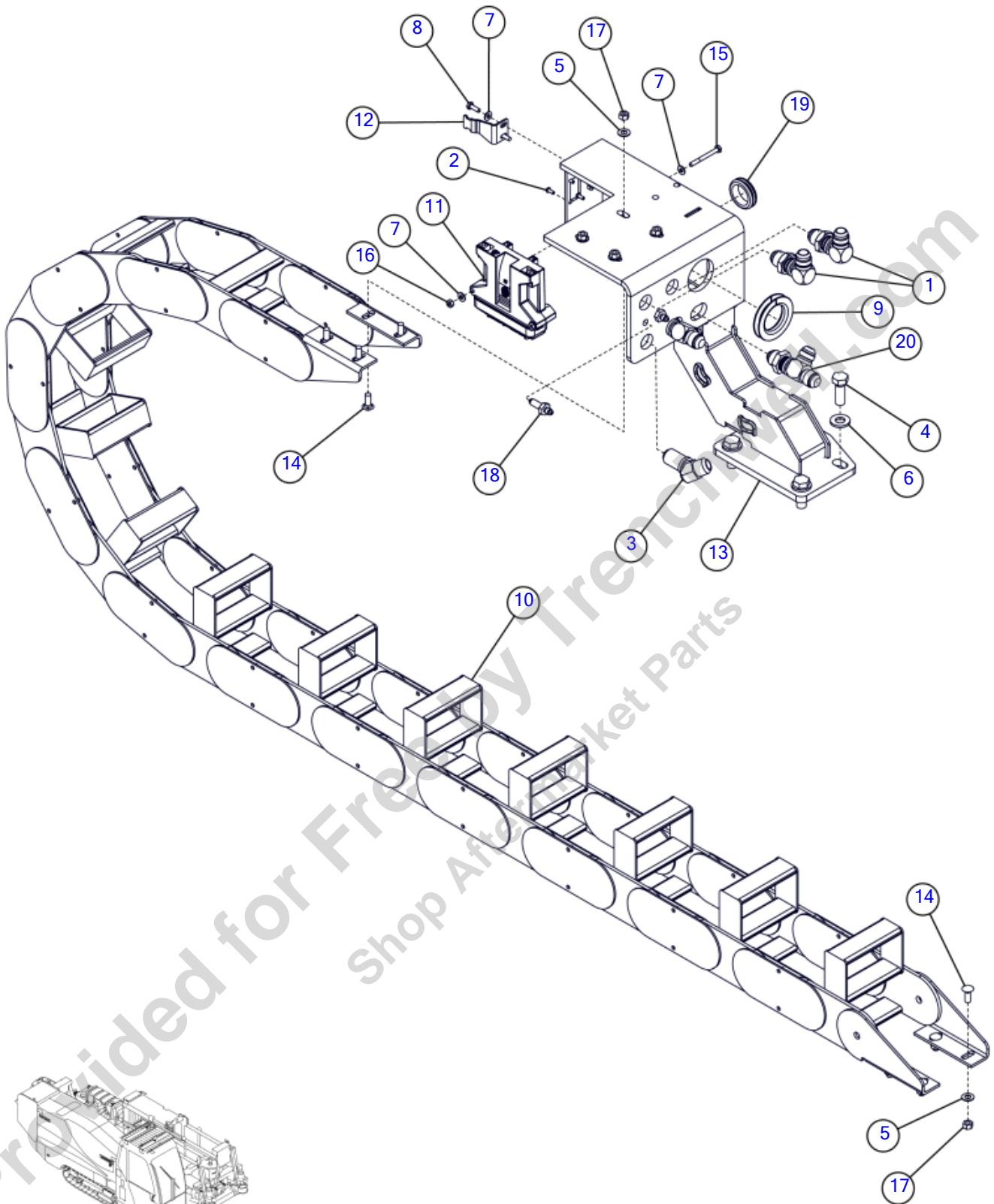


Illustration No. 296432069 - Not For Ordering

Hose Carrier & Tower

Fig 08-10

REF NO.	PART NO.	DESCRIPTION	QTY.	REMARKS
1	108500001	FITTING-12MJICX90 BULKHEAD	2	
2	1802004	SCREW-MCH-10-32X.50-GR2-CZ-ROUND-SLTD	4	
3	201487001	FITTING-12M JIC X12 JIC BULKHEAD 45	1	
4	230728001	BOLT-5/8-11X1 3/4GR 8 PLATED	4	
5	235713001	WASHER - FLATSTRL - .38 - .41 X .81 - .06-YA-A325	8	
6	235715001	WASHER-FLATSTRL-.63-.66 X 1.31-.15-YZ-A325	4	
7	235716001	WASHER - FLATSTRL - .25 -.28 X .63 - .06 - CZ	6	
8	235734001	BOLT-1/4-20X3/4 GR8 ZYC	2	
9	296273597	SEAL - EDGE - 3/8" X 7"	1	
10	296273692	HOSE TRACK - D24X40 II	1	Breakdown Fig. 8-10T01
11	296376829	CONTROLLER-PLUS +1 MC024-130	1	
12	296462974	PLATE - HARNESS SUPPORT	1	
12	(296412099)	PLATE - HARNESS SUPPORT	1	
13	296432070	WELDMENT - BULKHEAD MOUNT D24X40III	1	
14	375010	BOLT-3/8"-16X1"GD#5 CARRIAGE	8	
15	510300024	SCREW-HCS-.25-20X2.50-GR5-YZ	2	
16	510313501	NUT-TLHEX-.25-20-A-YZ	2	
17	510315501	NUT-TLHEX-.38-16-B-YZ	8	
18	65564001	FITTING - 4M JIC BULKHEAD ST.	2	
19	902402001	GROMMET-1 1/2"RUBBER	1	
20	96075001	FITTING-12MJIC BLKHD RUN TEE	2	

Provided for Free by Trenchwell.com
Shop Aftermarket Parts

Hose Carrier & Tower (SN 383-562)

Fig 08-10R01

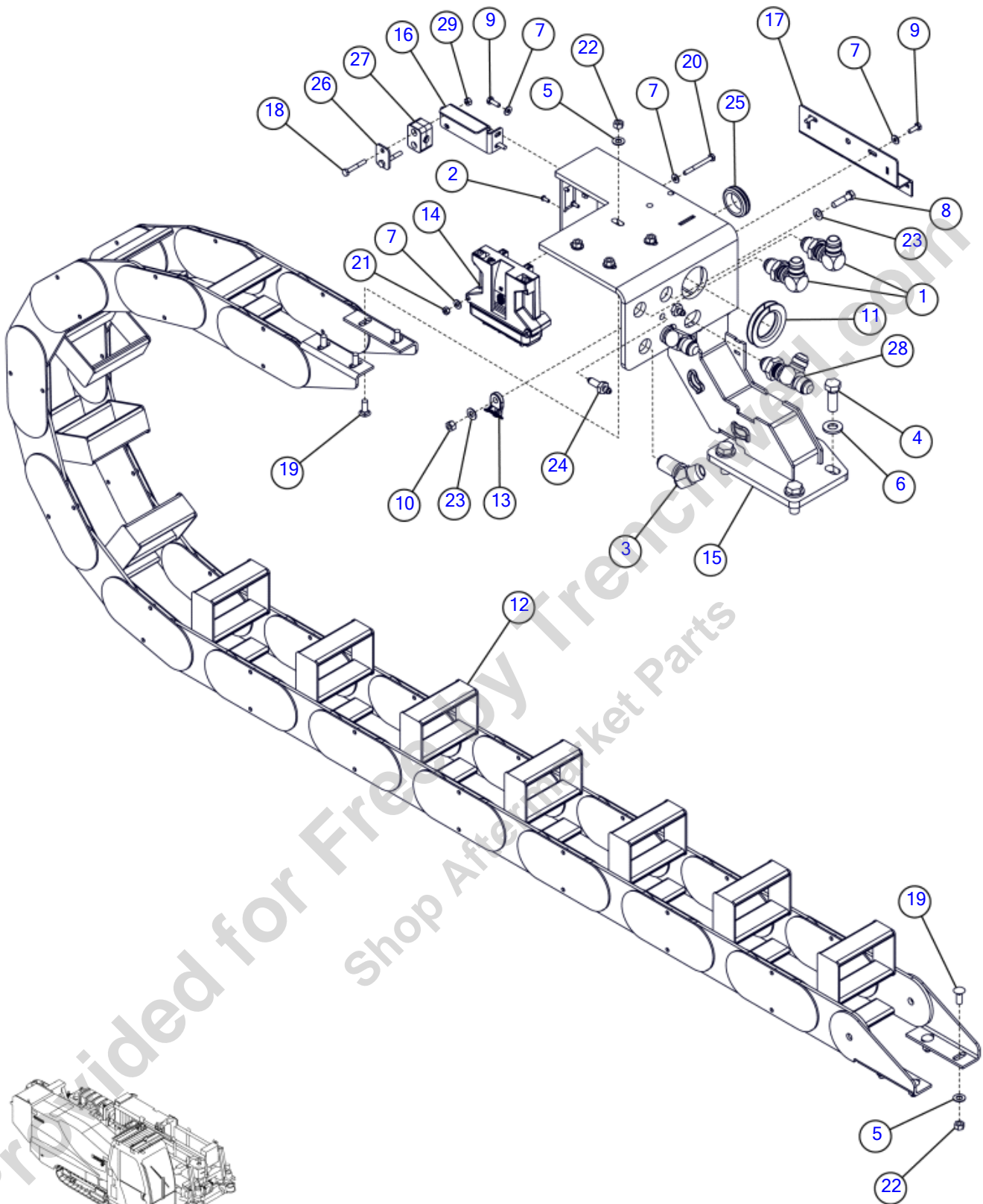


Illustration No. 296432069 - Not For Ordering

Hose Carrier & Tower (SN 383-562)

Fig 08-10R01

REF NO.	PART NO.	DESCRIPTION	QTY.	REMARKS
1	108500001	FITTING-12MJICX90 BULKHEAD	2	
2	1802004	SCREW-MCH-10-32X.50-GR2-CZ-ROUND-SLTD	4	
3	201487001	FITTING-12M JIC X12 JIC BULKHEAD 45	1	
4	230728001	BOLT-5/8-11X1 3/4GR 8 PLATED	4	
5	235713001	WASHER - FLATSTRL - .38 - .41 X .81 - .06-YA-A325	8	
6	235715001	WASHER-FLATSTRL-.63-.66 X 1.31-.15-YZ-A325	4	
7	235716001	WASHER - FLATSTRL - .25 - .28 X .63 - .06 - CZ	10	
8	235723001	SCREW - HCS - .38 - 16 X 1.50 - GR8 - YZ	1	
9	235734001	BOLT-1/4-20X3/4 GR8 ZYC	4	
10	250508001	NUT - 3/8-NC Gr8 TOP LOCK Y/ZINC	1	
11	296273597	SEAL - EDGE - 3/8" X 7"	1	
12	296480278	HOSE CARRIER - D24X40III	1	Breakdown Fig. 8-10T01
12	(296273692)	HOSE TRACK - D24X40 II	1	Breakdown Fig. 8-10T01
13	296276018	MOUNT HELLER MANN TITON SN:000383--	1	(383-)
14	296376829	CONTROLLER-PLUS +1 MC024-130	1	
15	296432070	WELDMENT - BULKHEAD MOUNT D24X40III	1	(383-)
16	296462974	PLATE - HARNESS SUPPORT SN:000383--	1	(383-)
17	296462979	PLATE - LOOM COVER SN:000383--	1	(383-)
18	350016	BOLT - 1/4-20X1 3/4"GRADE#5 HEX	2	
19	375010	BOLT-3/8"-16X1"GD#5 CARRIAGE	8	
20	510300024	SCREW-HCS-.25-20X2.50-GR5-YZ	2	
21	510313501	NUT-TLHEX-.25-20-A-YZ	5	
22	510315501	NUT-TLHEX-.38-16-B-YZ	8	
23	510337635	WASHER-FLATSAE-.38-.41X.81-16G-YZ	2	
24	65564001	FITTING - 4M JIC BULKHEAD ST.	2	
25	902402001	GROMMET-1 1/2"RUBBER	1	
26	903135005	PLATE COVER COP 2 SN:000383--	1	(383-)
27	904738003	CLAMP - HOSE HALF 1/2" SN:000383--	2	(383-)
28	96075001	FITTING-12MJIC BLKHD RUN TEE	2	
29	510313501	NUT-TLHEX-.25-20-A-YZ	1	

Hose Carrier (SN 563-)

Fig 08-10R02

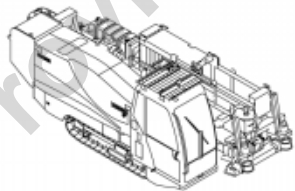
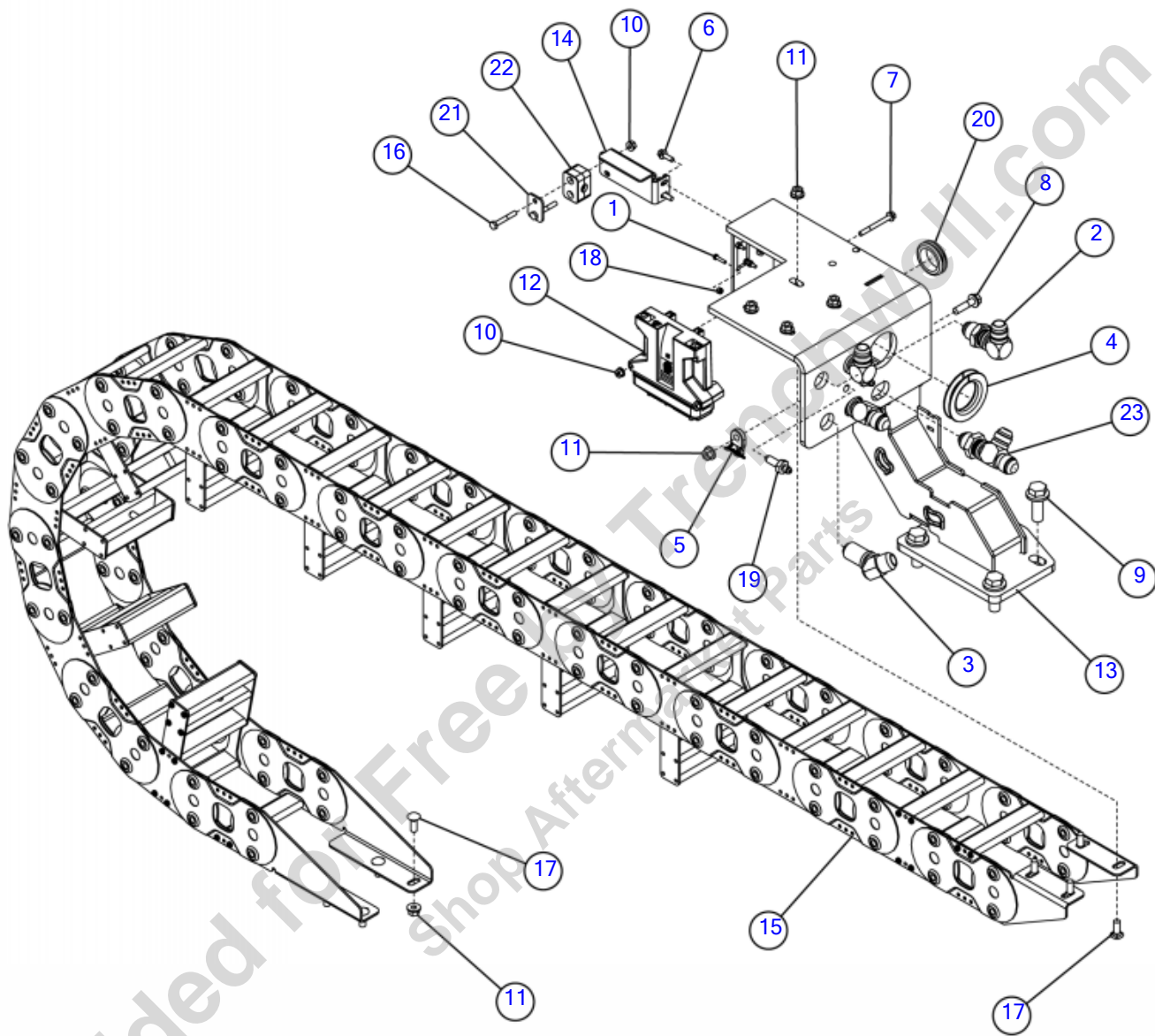


Illustration No. 296432069 - Not For Ordering

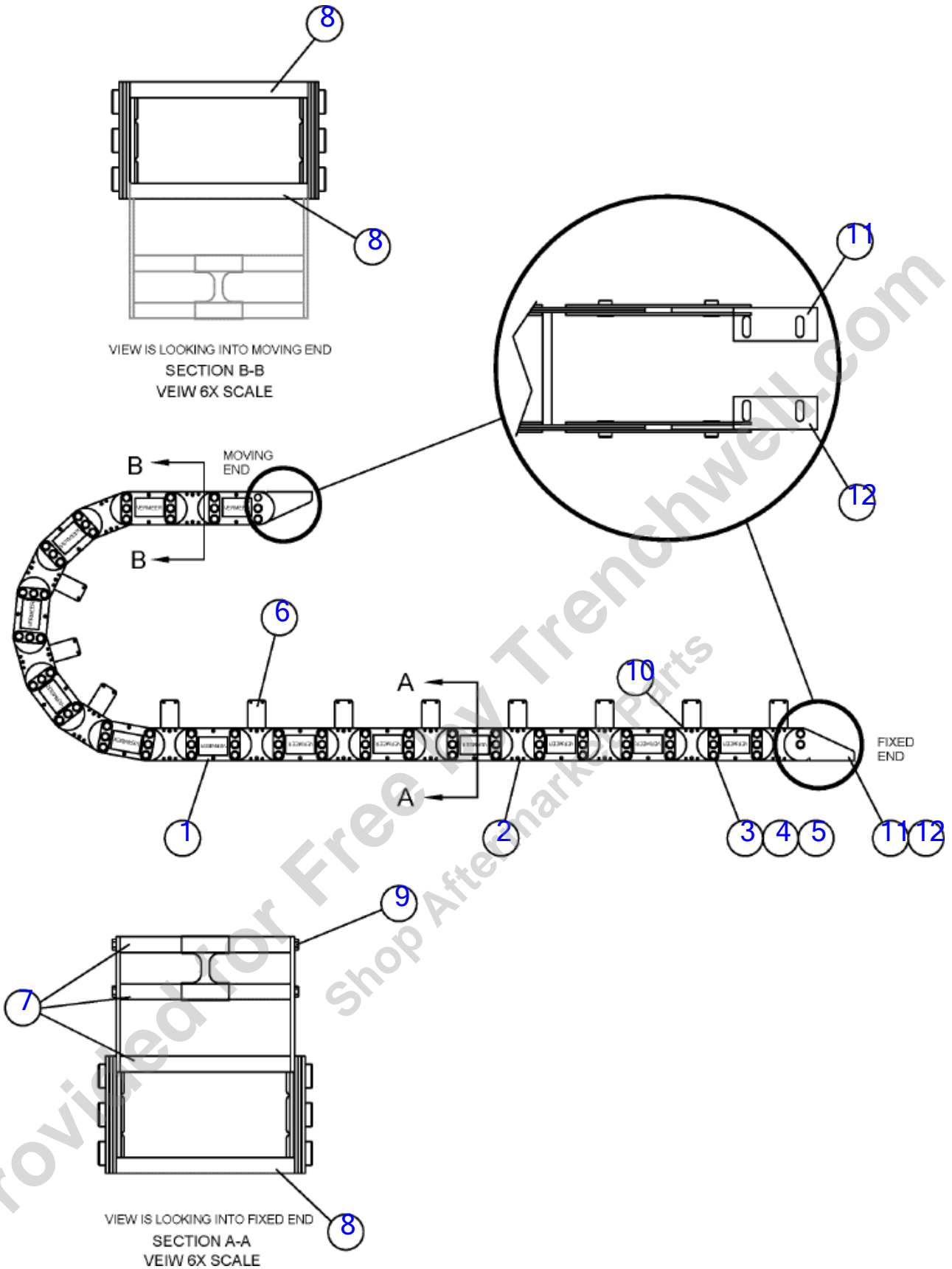
Hose Carrier (SN 563-)

Fig 08-10R02

REF NO.	PART NO.	DESCRIPTION	QTY.	REMARKS
1	10530006	SCREW-#8-32X3/4 SLOT RD.HD.	4	
2	108500001	FITTING-12MJICX90 BULKHEAD	2	
3	201487001	FITTING-12M JIC X12 JIC BULKHEAD 45	1	
4	296273597	SEAL - EDGE - 3/8" X 7"	1	
5	296276018	MOUNT HELLER MANN TITON	1	
6	296300753	SCREW-HFS-.25-20X.75-GR8-YZ	2	
7	296300760	SCREW HFS .25 20X2.50 GRI YZ	2	
8	296300774	SCREW HFS .38 - 16 X 1.50 GR8 YZ	1	
9	296300801	SCREW,HFS,.63,11X1.75,GR8,YZ	4	
10	296300848	NUT-HEXFLGTL-.25-20-G-YZ	4	
11	296300850	NUT-HEXFLGTL-.38-16-G-YZ	9	
12	296376829	CONTROLLER-PLUS +1 MC024-130	1	
13	296432070	WELDMENT - BULKHEAD MOUNT D24X40III	1	
14	296462974	PLATE - HARNESS SUPPORT	1	
15	296480278	HOSE CARRIER - D24X40III	1	Breakdown Fig. 8-10T01
16	350016	BOLT - 1/4-20X1 3/4"GRADE#5 HEX	2	
17	375010	BOLT-3/8"-16X1"GD#5 CARRIAGE	8	
18	510368453	NUT-NYLOCK-8-32-GR2-YZ	4	
19	65564001	FITTING - 4M JIC BULKHEAD ST.	2	
20	902402001	GROMMET-1 1/2"RUBBER	1	
21	903135005	PLATE COVER COP 2	1	
22	904738003	CLAMP - HOSE HALF 1/2" (PAIR)	2	
23	96075001	FITTING-12MJIC BLKHD RUN TEE	2	

Breakdown-Hose Carrier (SN 383-562)

Fig 08-10T01



Breakdown-Hose Carrier (SN 383-562)

Fig 08-10T01

REF NO.	PART NO.	DESCRIPTION	QTY.	REMARKS
1	234256007	PT45E OUTER LINK W/VERMEERLOGO	48	
2	276280003	PT45E INNER LINK R13.39	48	
3	234256017	PT45E HINGE PIN-PUSH ON FASTNR	138	
4	296251021	PT45E ONE-PIECE PUSH ON	46	
5	234256011	PT45E ANTI-FRICTION DISC	100	
6	276280007	BRACKET - PT45E CARRIER	20	
7	276280009	PT45E ALUM CHANNEL 5.375"	30	
8	276280011	PT45E ALUM CHANNEL 5.625"	14	
9	296276791	BOLT - WHIZ-LOCK	136	
10	215252017	SCREW-WHIZ LOCK	40	
11	234256003	PT45E MOUNTING BRACKET ASSY (L	2	
12	234256005	PT45E MOUNTING BRACKET ASSY(R)	2	
	296480278	HOSE CARRIER - D24X40III	1	Includes All Items Listed Above
	(296273692)	HOSE TRACK - D24X40 II	1	Includes All Items Listed Above

Provided for Free by Trenchwell.com
Shop Aftermarket Parts

Breakdown-Hose Carrier (SN 563-)

Fig 08-10T01R01

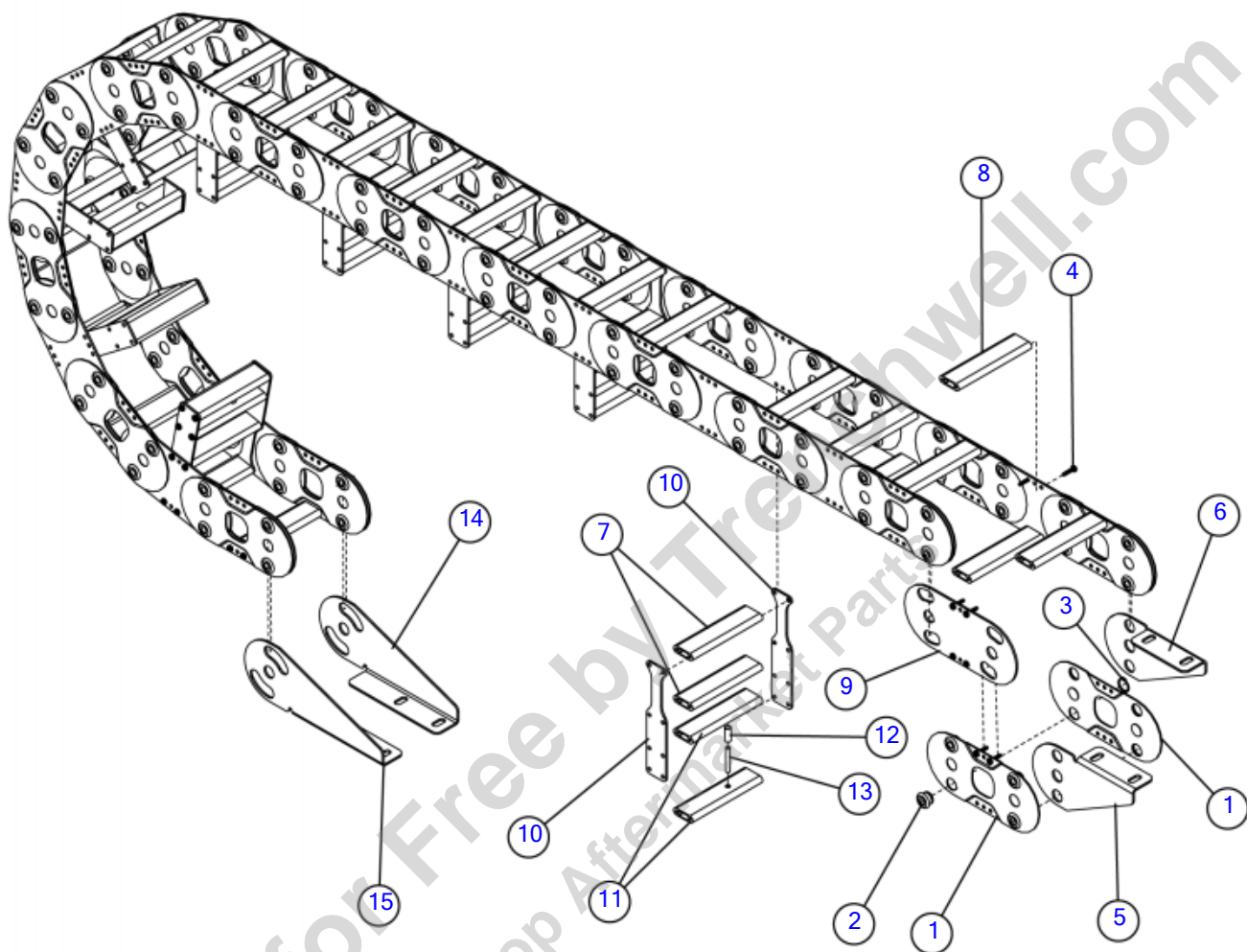


Illustration No. 296480278 - Not For Ordering

Breakdown-Hose Carrier (SN 563-)

Fig 08-10T01R01

REF NO.	PART NO.	DESCRIPTION	QTY.	REMARKS
1	296480288	LRC COMMON LINK	48	
2	296480289	LRC PIN	96	
3	296480290	LRC SNAP RING	96	
4	296480291	10-24x.818" TORX SCREW	208	
5	296480300	LRC NON-ROTATING BRACKET-1	1	
6	296480301	LRC NON-ROTATING BRACKET-2	1	
7	296480311	LRC ALUM FLAT BAR AT 5.55 LONG	18	
8	296480312	LRC ALUM FLAT BAR AT 5.79 LONG	16	
9	296480313	LRC-3125 LINK	22	
10	296480314	LRC EXTENDER	18	
11	296480315	LRC ALUM FLAT BAR 5.55 LONG MOD	18	
12	296480316	1/4" BAR POLY ROLLER X .88 LONG	9	
13	296480317	1/4" DIA X 1.63 LONG SEPARATOR	9	
14	296480320	CUSTOM MOVING END EXTENDED BKT-1	1	
15	296480321	CUSTOM MOVING END EXTENDED BKT-2	1	
	296480278	HOSE CARRIER - D24X40III SN:000563--		Incl. All Items In Figure (SN 563-)

Provided for Free by Trenchwell.com
Shop Aftermarket Parts

Carriage Light

Fig 08-11

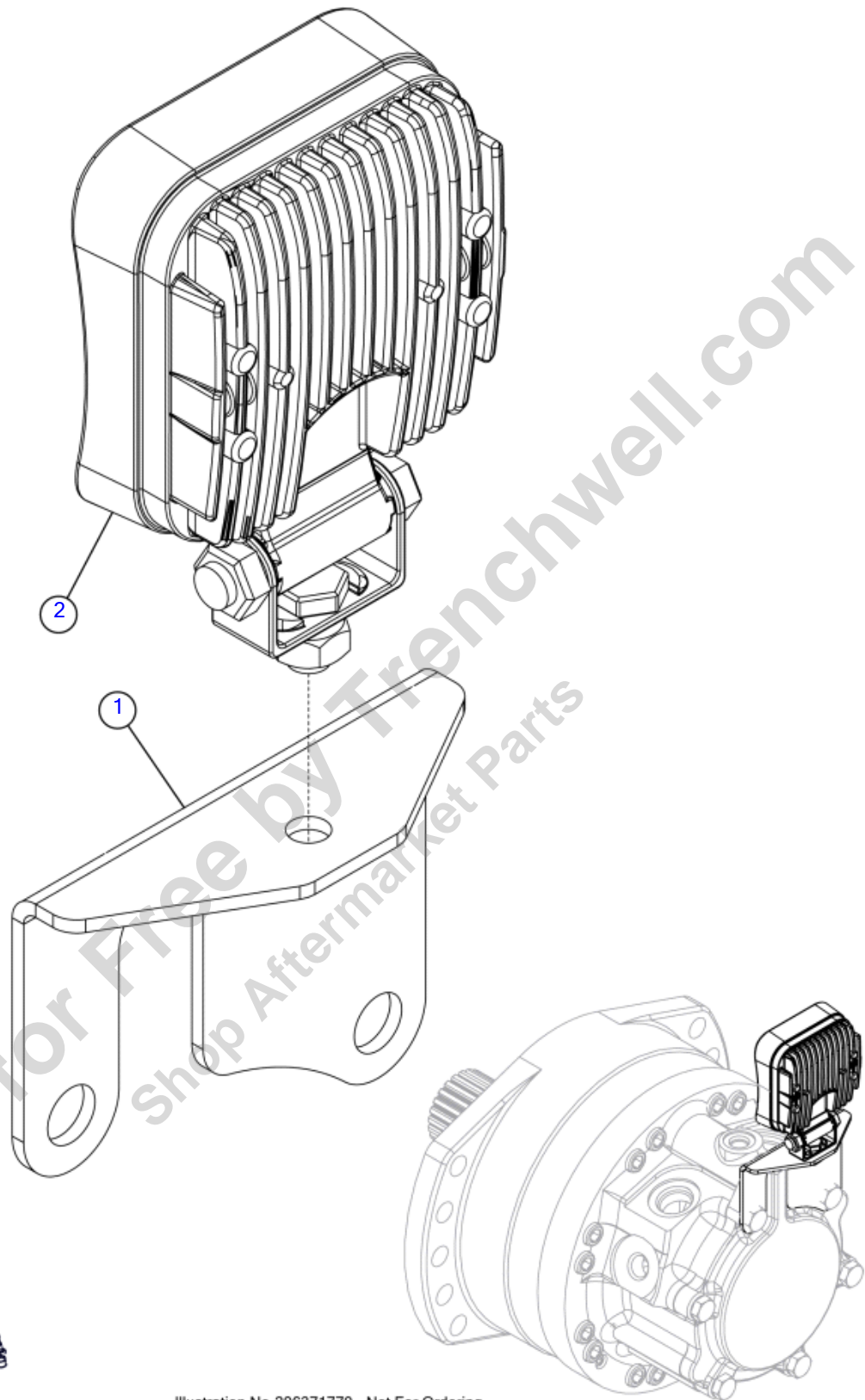


Illustration No-296371779 - Not For Ordering

Carriage Light

Fig 08-11

REF NO.	PART NO.	DESCRIPTION	QTY.	REMARKS
1	296273638	BRACKET - LIGHT MOUNT	1	
2	296447118	LIGHT-5X3 LED WORK 12V-24V-FLOOD	1	

Provided for Free by Trenchwell.com
Shop Aftermarket Parts

Thrust Carriage Encoder (SN 101-830)

Fig 08-12

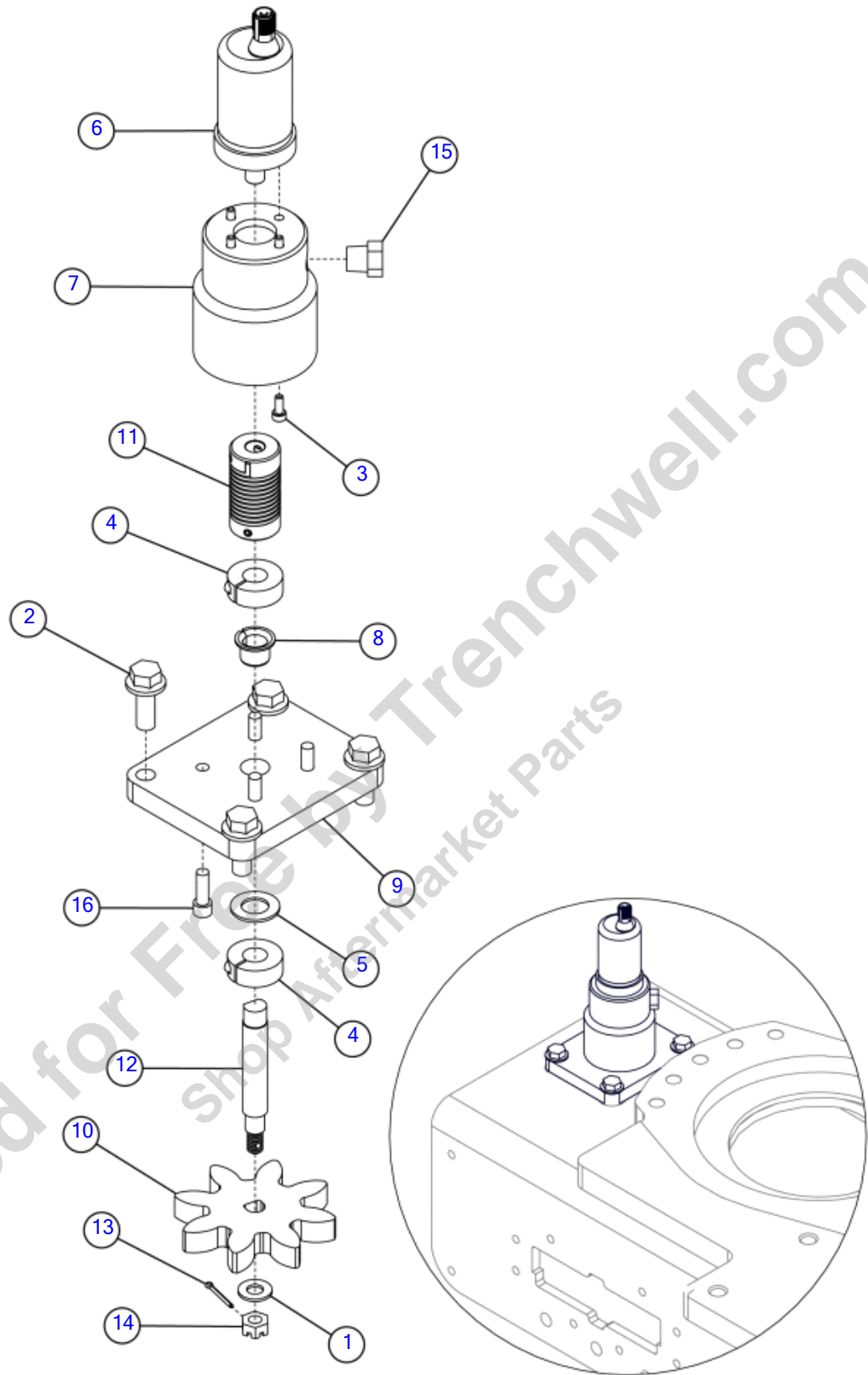


Illustration No. 296412243 - Not For Ordering

Thrust Carriage Encoder (SN 101-830)

Fig 08-12

REF NO.	PART NO.	DESCRIPTION	QTY.	REMARKS
1	235714001	WASHER - 5/16 FLAT, ZN	1	
2	296300772	SCREW HFS .38-16X1.00 GR8 YZ	4	
3	296357362	SCREW SHCS M4 .7 X 10 12.9 CZ	4	
4	296368503	LOCKING COLLAR- .50 SHAFT -STAINLESS	2	
5	296368505	WASHER-THRUST - .562ID X 1.00 OD	1	
6	296376870	ENCODER-ABSOLUTE J1939 JVM42H	1	
7	296407792	BAR - ENCODER MOUNT	1	
8	296407834	BEARING-FLANGED METAL POLYMER-.50 ID GGB 08FTU08	1	
9	296412241	PLATE - ENCODER MOUNT	1	
10	296412242	PLATE - GEAR CARRIAGE ENCODER DRIVE D24 & D36	1	
11	296416247	COUPLER-FLEX SPRING 10X12	1	
12	296443884	SHAFT-ENCODER DRIVE	1	
13	296443885	PIN-COTTER-.08X.75	1	
14	296443886	NUT-SLTDHEX-.31-18-GR2-CZ	1	
15	504549001	PIPE PLUG-1/4 HEX HEAD STEEL	1	
16	5544006	CAPSCREW-1/4-20X3/4 SOCKET HD.	4	

Provided for Free by Trenchwell.com
Shop Aftermarket Parts

Thrust Carriage Encoder (SN 831-)

Fig 08-12R01

**DELETED DUE TO-NOT IN
CURRENT PRODUCTION**

Thrust Carriage Encoder (SN 831-)

Fig 08-12R01

REF NO.	PART NO.	DESCRIPTION	QTY.	REMARKS
		DELETED DUE TO - NOT IN CURRENT PRODUCTION	A/R	

Provided for Free by Trenchwell.com
Shop Aftermarket Parts

Rotation Gearbox Encoder

Fig 08-13

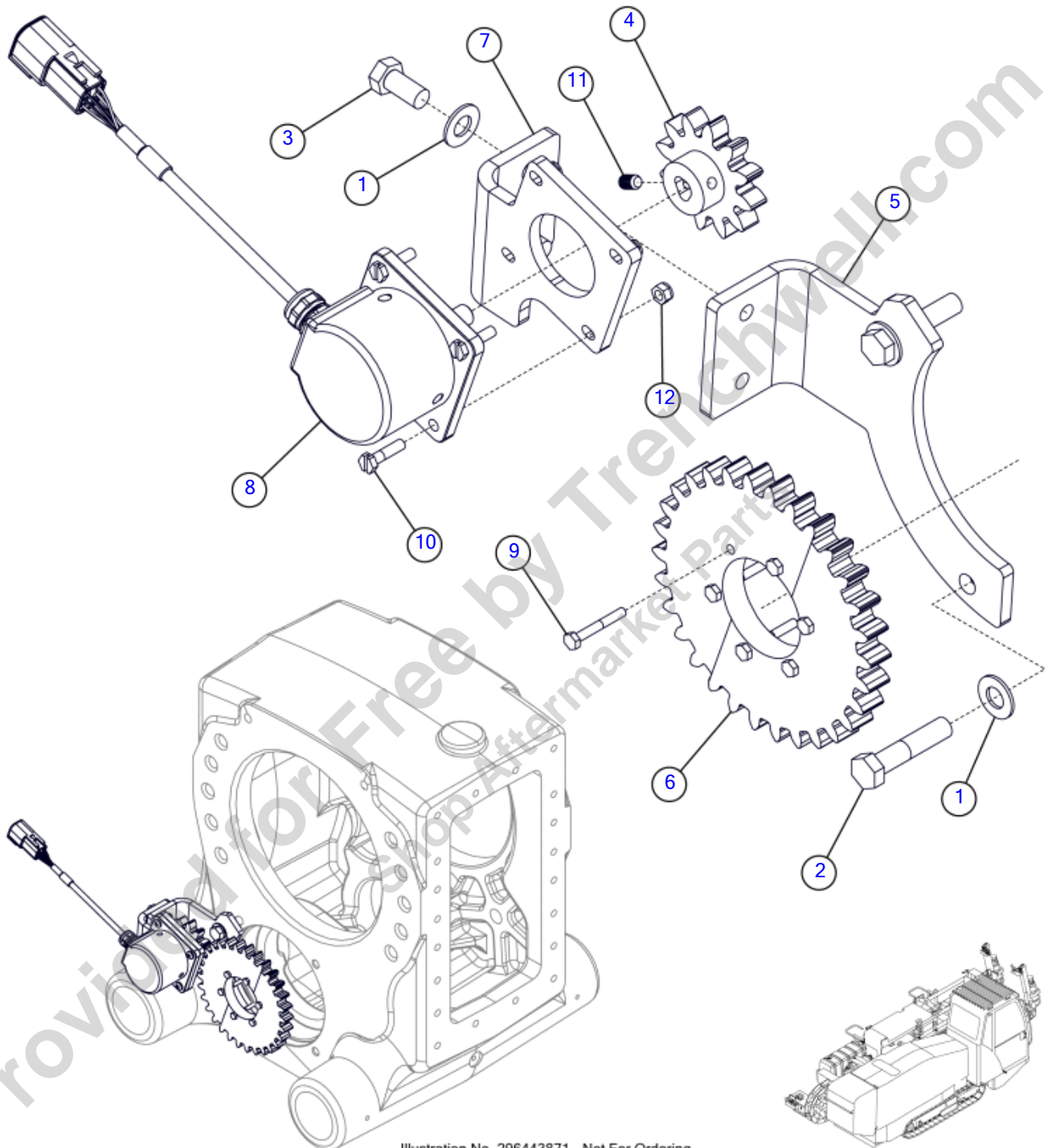


Illustration No. 296443871 - Not For Ordering

Rotation Gearbox Encoder

Fig 08-13

REF NO.	PART NO.	DESCRIPTION	QTY.	REMARKS
1	235713001	WASHER - FLATSTRL - .38 - .41 X .81 - .06-YA-A325	4	
2	235720001	BOLT-3/8-16X1 3/4 GR8 ZINC PLT	2	
3	235726001	BOLT-3/8-16X3/4 GR8 HEX ZNCPLT	2	
4	296462988	WELDMENT - CARVE STEER GEAR	1	
4	(296420940)	WELDMENT - CARVE STEER GEAR	1	
5	296443872	PLATE - ROTATION ENCODER MOUNT	1	
6	296443873	PLATE - ROTATION ENCODER GEAR	1	
7	296443874	PLATE - ROTATION ENCODER MOUNT	1	
8	296447045	ENCODER-RV125 SERIES W/DTM04-6P	1	
9	506029030	SCREW-HCS,M4-.70X30,8.8,YZ,D931,PT	6	
10	510357010	SCREW-MCH-10-24X.75-GR2-YZ-HWH-SLOTTED	4	
11	523001	SSS-1/4-20X3/8	1	
12	99042001	NUT-NYLOCK-#10-24-GR2-CZ	4	

Provided for Free by Trenchwell.com
Shop Aftermarket Parts

Rotation Gearbox Encoder (SN 383-)

Fig 08-13R01

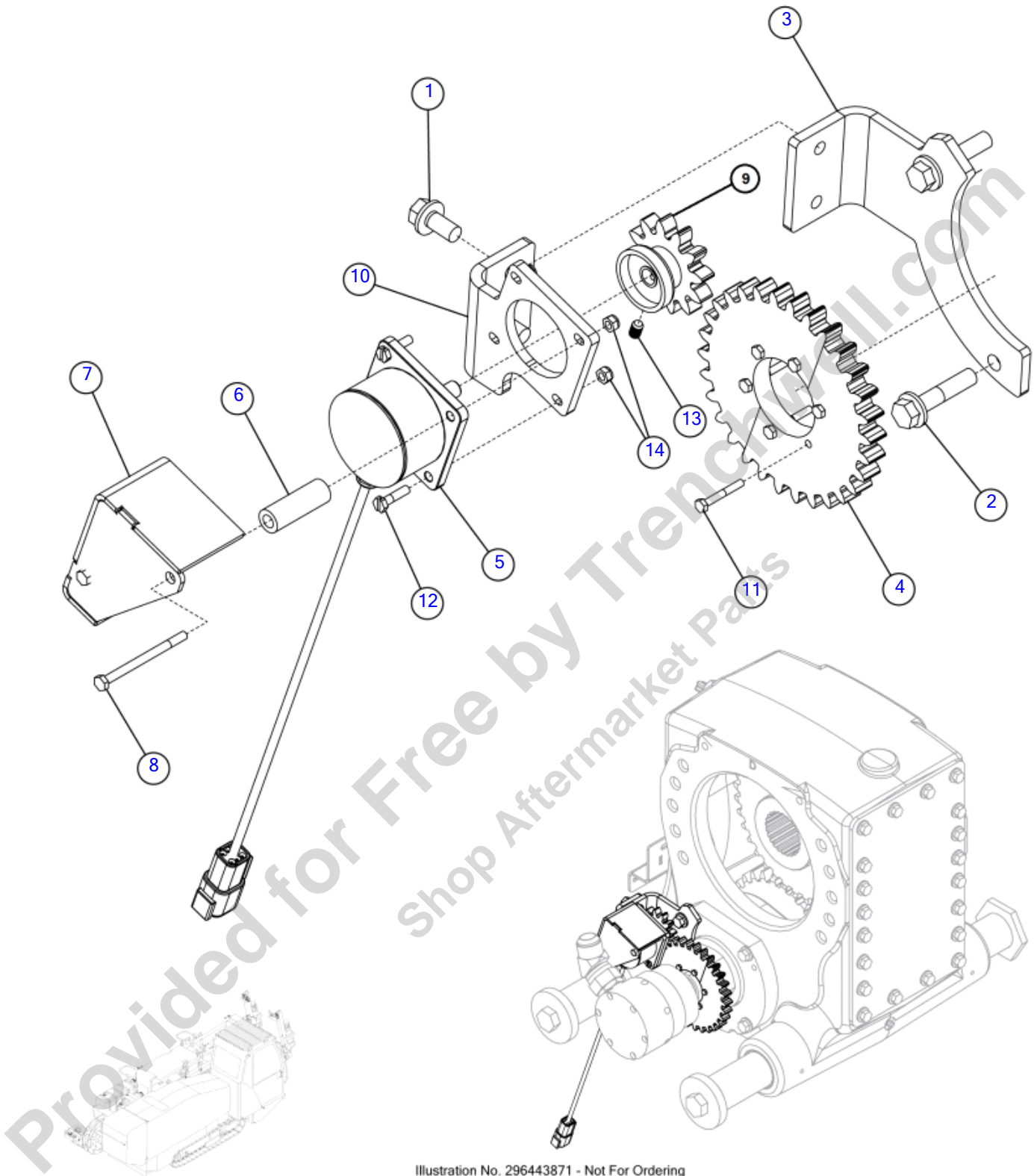


Illustration No. 296443871 - Not For Ordering

Rotation Gearbox Encoder (SN 383-)

Fig 08-13R01

REF NO.	PART NO.	DESCRIPTION	QTY.	REMARKS
1	296300771	SCREW-HFS-.38-16X.75GR8	2	
2	296300775	SCREW HFS .38 16 X 1.75 GR8	2	
3	296443872	PLATE - ROTATION ENCODER MOUNT	1	
4	296443873	PLATE - ROTATION ENCODER GEAR	1	
5	296447147	ENCODER - ENI58 SERIES W/ DTM04-6P, RADIAL EXIT	1	
6	296447197	TUBE - ENCODER SPACER	2	
7	296462971	ENCODER SHIELD	1	
8	296462983	SCREW-MCH-10-24X 2.5 SS - HEX	2	
9	296462988	WELDMENT - CARVE STEER GEAR	1	
10	296462989	PLATE - ROTATION ENCODER MOUNT	1	
11	506029030	SCREW-HCS,M4-.70X30,8.8,YZ,D931,PT	6	
12	510357010	SCREW-MCH-10-24X.75-GR2-YZ-HWH-SLOTTED	2	
13	523001	SSS-1/4-20X3/8	1	
14	99042001	NUT-NYLOCK-#10-24-GR2-CZ	4	

Provided for Free by Trenchwell.com
Shop Aftermarket Parts

Drive Chuck

Fig 08-14

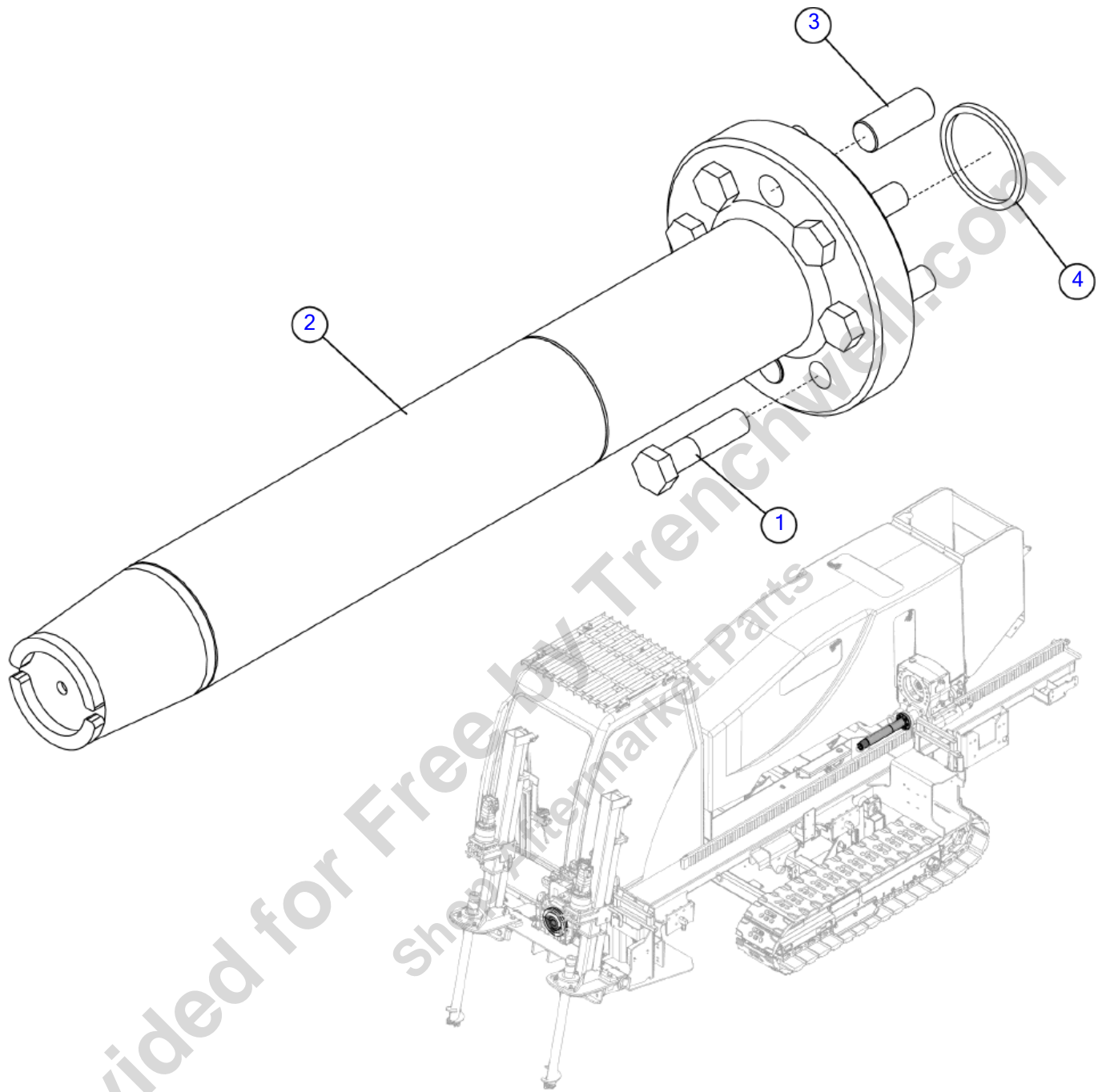


Illustration No. 296443775 - Not For Ordering

Drive Chuck

Fig 08-14

REF NO.	PART NO.	DESCRIPTION	QTY.	REMARKS
1	235718001	BOLT-1/2-13X2 GR8 HEX	6	
2	296443778	DRIVE CHUCK ASSEMBLY 2.375 FST-I THRD. X 5.5 FLANG	1	Breakdown Fig. 8-14T01
3	70096001	PIN-DOWEL 5/8DIA.-1 1/2	2	
4	72897001	O RING-SQ. #24 FLANGE	1	

Provided for Free by Trenchwell.com
Shop Aftermarket Parts

Breakdown-Drive Chuck

Fig 08-14T01

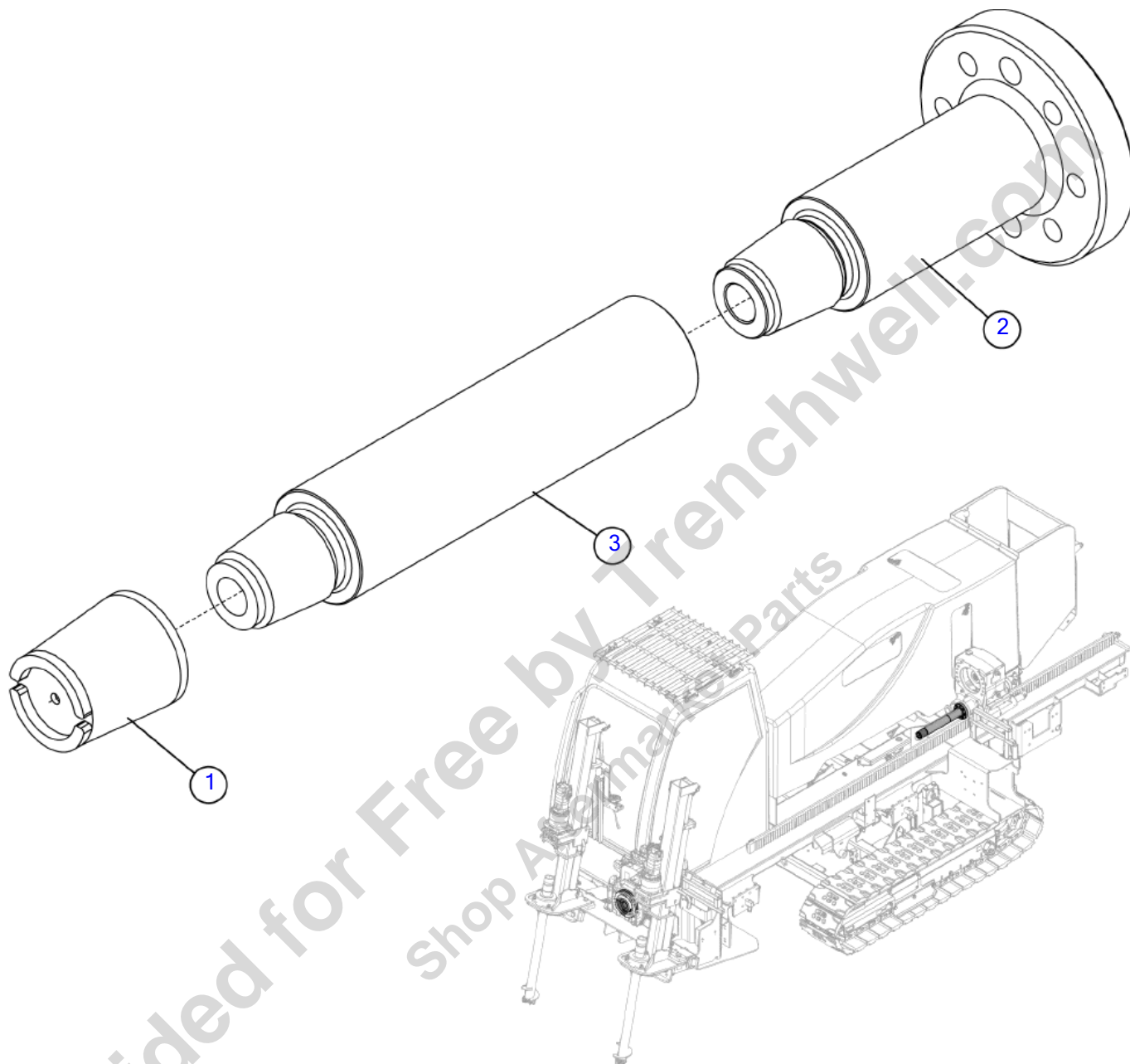


Illustration No. 296443778 - Not For Ordering

Breakdown-Drive Chuck

Fig 08-14T01

REF NO.	PART NO.	DESCRIPTION	QTY.	REMARKS
1	223848001	CAP-2 3/8 IWSV	1	
2	230806001	DRIVE CHUCK-MCHND 2.375 FST-1 THRD X5.5 FLG X6.5	1	
3	296443760	SUB SAVER 2.375" FST 600 (B)X(P)-10"	1	
	296443778	DRIVE CHUCK ASSEMBLY 2.375 FST-I THRD. X 5.5 FLANG	1	Incl. All Items In Figure

Provided for Free by Trenchwell.com
Shop Aftermarket Parts

Drill Rod Prep 2 3/8 FST 600 Connection

Fig 08-15

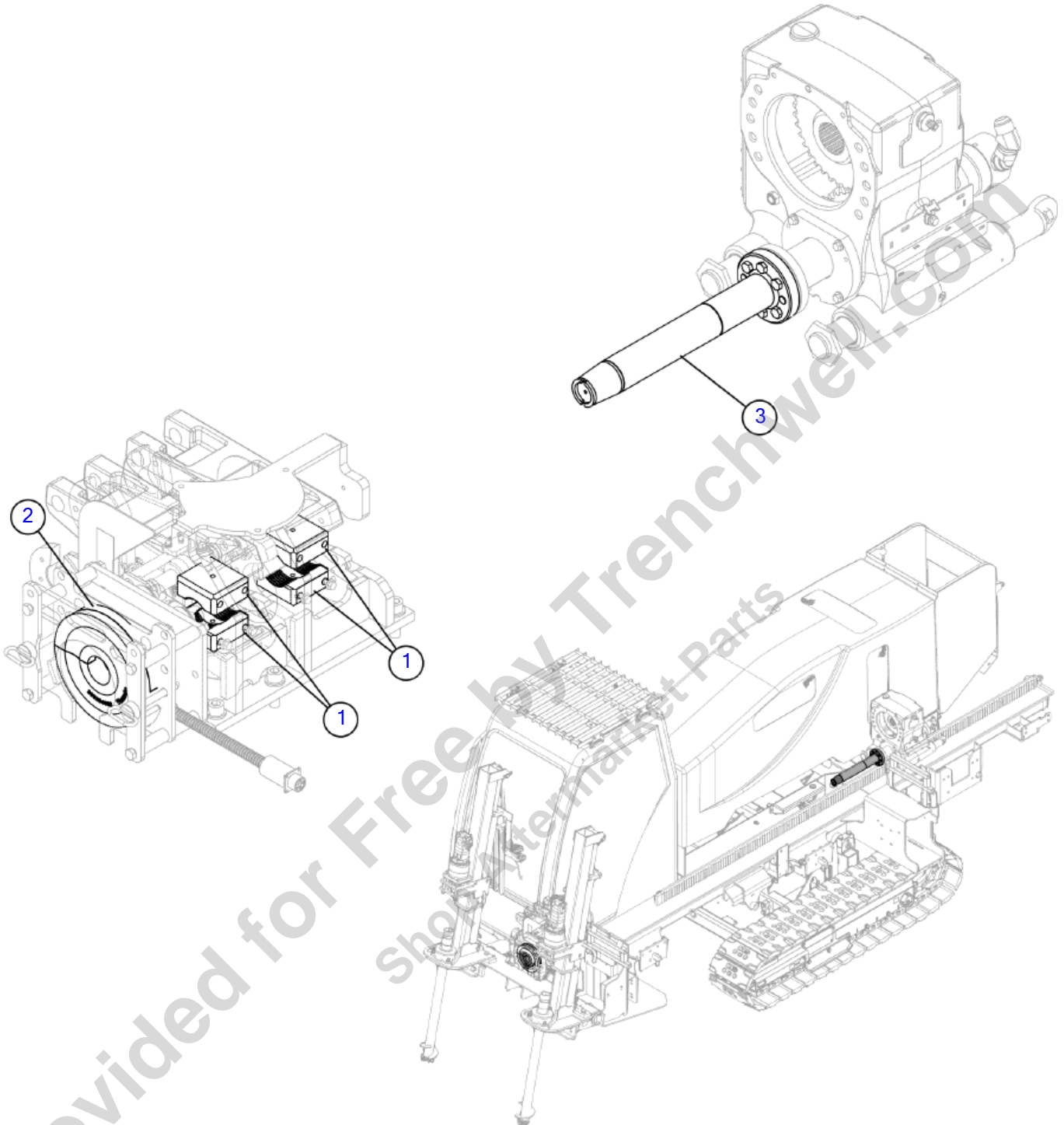


Illustration No. 296578698 - Not For Ordering

Drill Rod Prep 2 3/8 FST 600 Connection

Fig 08-15

REF NO.	PART NO.	DESCRIPTION	QTY.	REMARKS
1	230831001	WISE JAW 2.375in 600 PIPE	4	
2	296294602	ROD WIPER 2.25in, 2.375 THREAD DRILL STEM	1	
3	296443775	ASSY-DRIVE CHUCK W/HARDWARE	1	See Fig.8-14

Provided for Free by Trenchwell.com
Shop Aftermarket Parts

Drill Rod Prep 2 3/8 FST 650 Connection

Fig 08-16

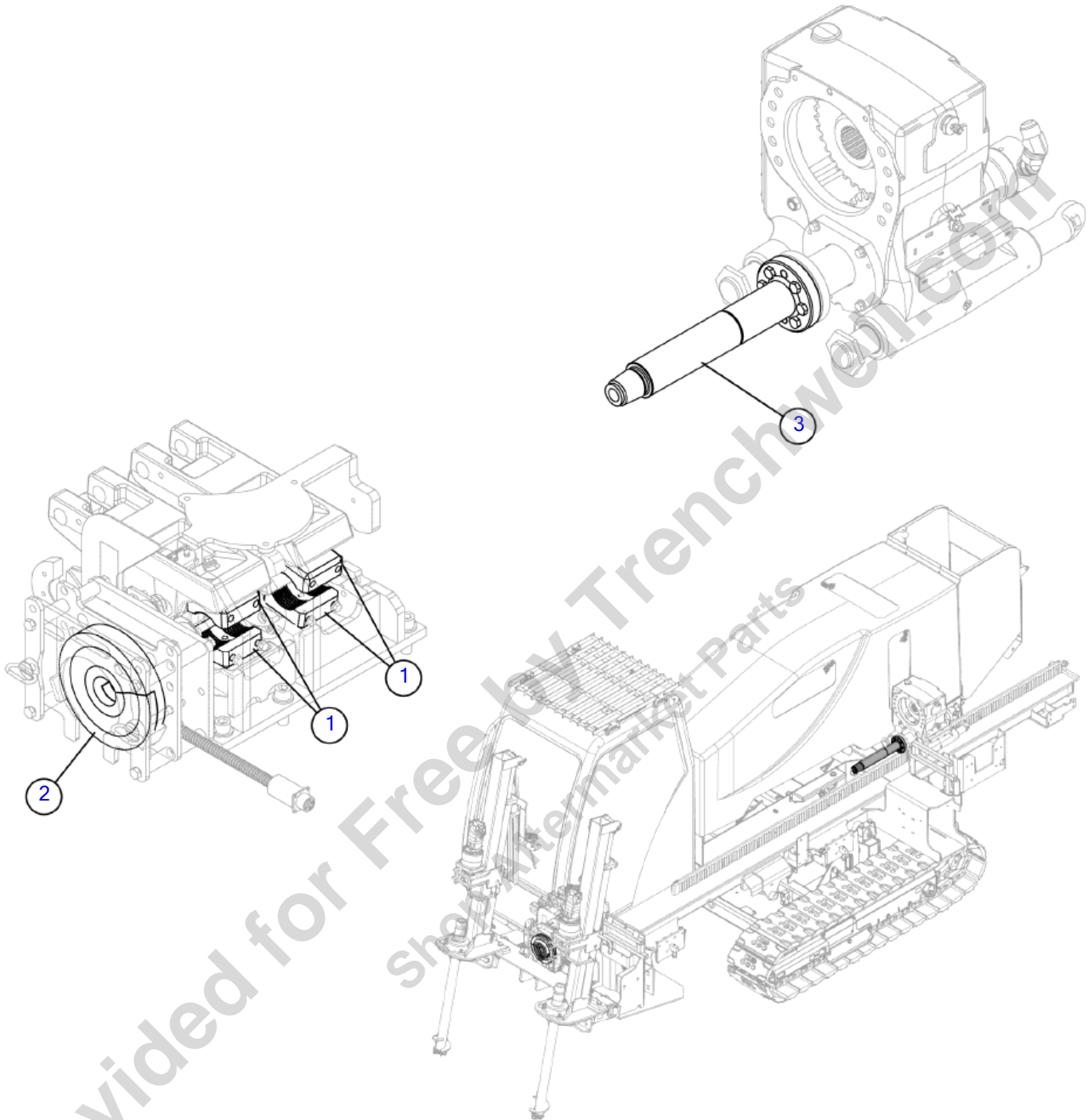


Illustration No. 296578699 - Not For Ordering

Drill Rod Prep 2 3/8 FST 650 Connection

Fig 08-16

REF NO.	PART NO.	DESCRIPTION	QTY.	REMARKS
1	276415001	WISE JAW 2.375in 650 PIPE	4	
2	296294602	ROD WIPER 2.25in, 2.375 THREAD DRILL STEM	1	
3	296443820	DRIVE CHUCK ASSEMBLY	1	See Fig. 8-17

Provided for Free by Trenchwell.com
Shop Aftermarket Parts

Drive Chuck

Fig 08-17

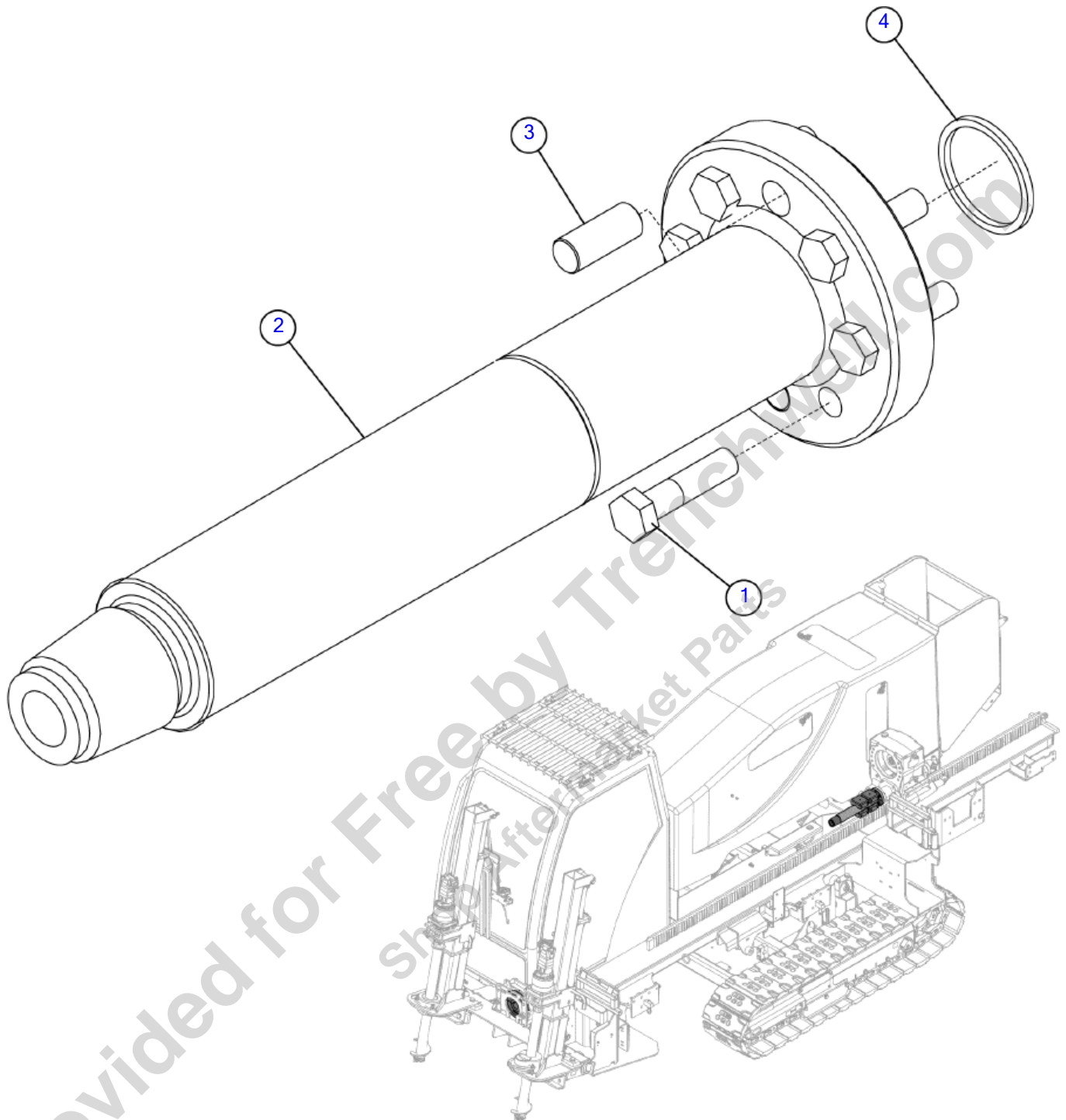


Illustration No. 296443820 - Not For Ordering

Drive Chuck

Fig 08-17

REF NO.	PART NO.	DESCRIPTION	QTY.	REMARKS
1	235718001	BOLT-1/2-13X2 GR8 HEX	6	
2	296443819	DRIVE CHUCK ASSEMBLY #650	1	Breakdown Fig. 8-17T01
3	70096001	PIN-DOWEL 5/8DIA.-1 1/2	2	
4	72897001	O RING-SQ. #24 FLANGE	1	

Provided for Free by Trenchwell.com
Shop Aftermarket Parts

Breakdown-Drive Chuck

Fig 08-17T01

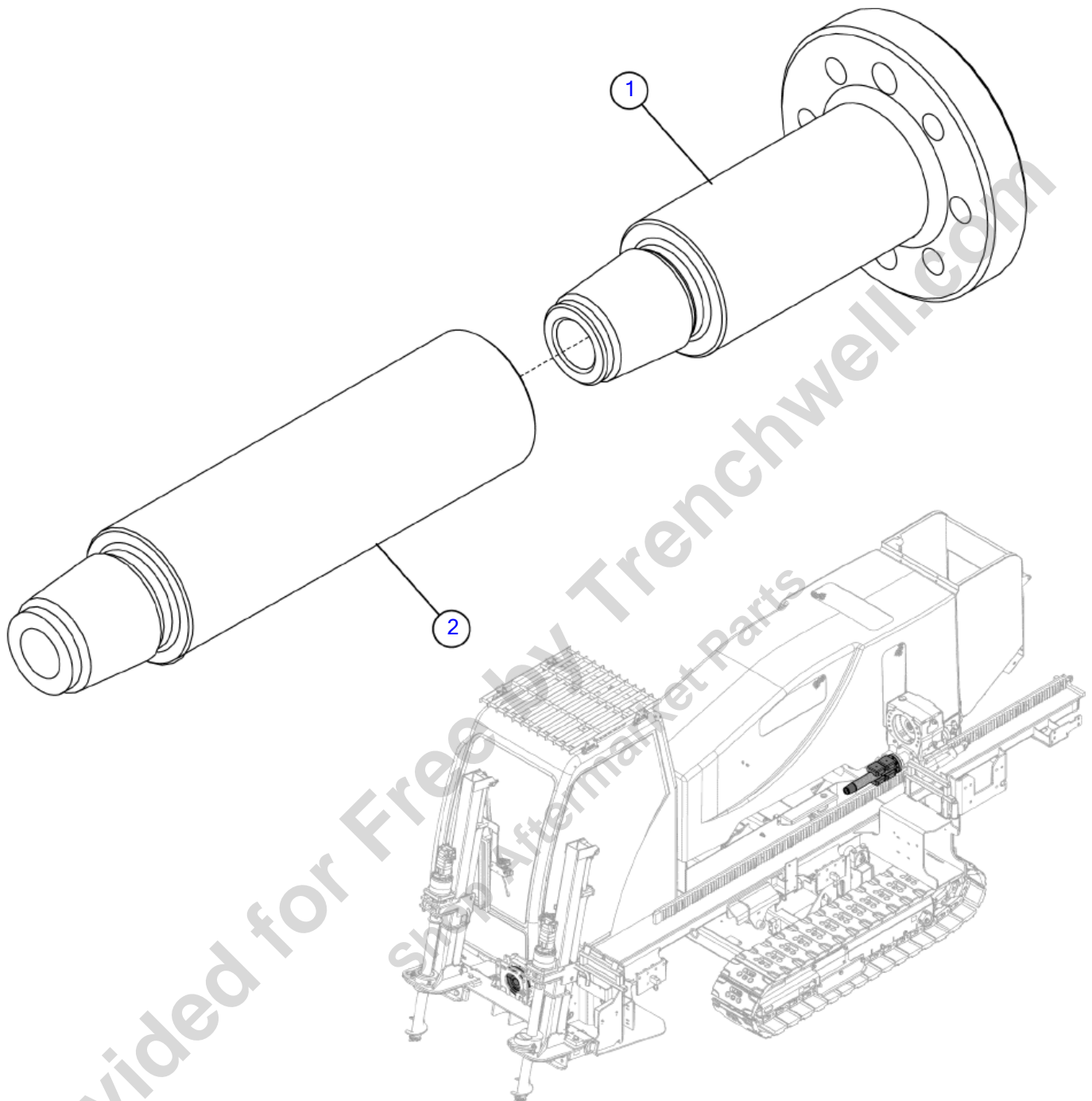


Illustration No. 296443819 - Not For Ordering

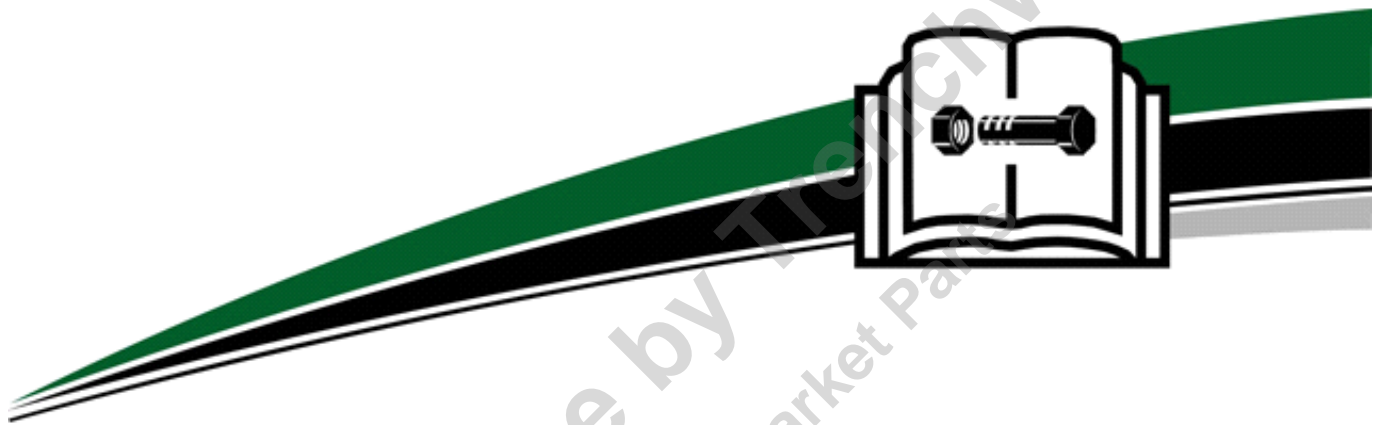
Breakdown-Drive Chuck

Fig 08-17T01

REF NO.	PART NO.	DESCRIPTION	QTY.	REMARKS
1	296309649	DRIVE CHUCK - MACHINED #650 2.375 5.5.X6.5	1	
2	296443818	SUBSAVER-2.375 FST #650(P) X (B)	1	
	296443819	DRIVE CHUCK ASSEMBLY #650	1	Incl. All Items In Figure

Provided for Free by Trenchwell.com
Shop Aftermarket Parts

Vise



Provided for Free by Trenchwell.com
Shop Aftermarket Parts

Vise

Vise	Fig	09-01
Vise Jaw Dies	Fig	09-02
Vise Clamp Jaw Cylinders	Fig	09-03
Breakdown-Vise Clamp Jaw Cylinder	Fig	09-03T01
Vise Rotation Cylinder	Fig	09-04
Breakdown-Vise Rotation Cylinder	Fig	09-04T01
Strike Alert w/ Rod Wiper	Fig	09-05
Valve - Vise	Fig	09-06
Breakdown-Vise Valve	Fig	09-06T01
Voltage Stake	Fig	09-07
Breakdown-Voltage Stake	Fig	09-07T01
Breakdown-Voltage Stake	Fig	09-07T02
Grease Bucket - 5 Gallon	Fig	09-08
5 Gallon Auto Greaser Top	Fig	09-09
Breakdown-5 Gallon Greaser Cylinder	Fig	09-09T01
5 Gallon Auto Greaser Follower	Fig	09-10

Provided for Free by Trenchwell.com
Shop Aftermarket Parts

Vise
Fig 09-01

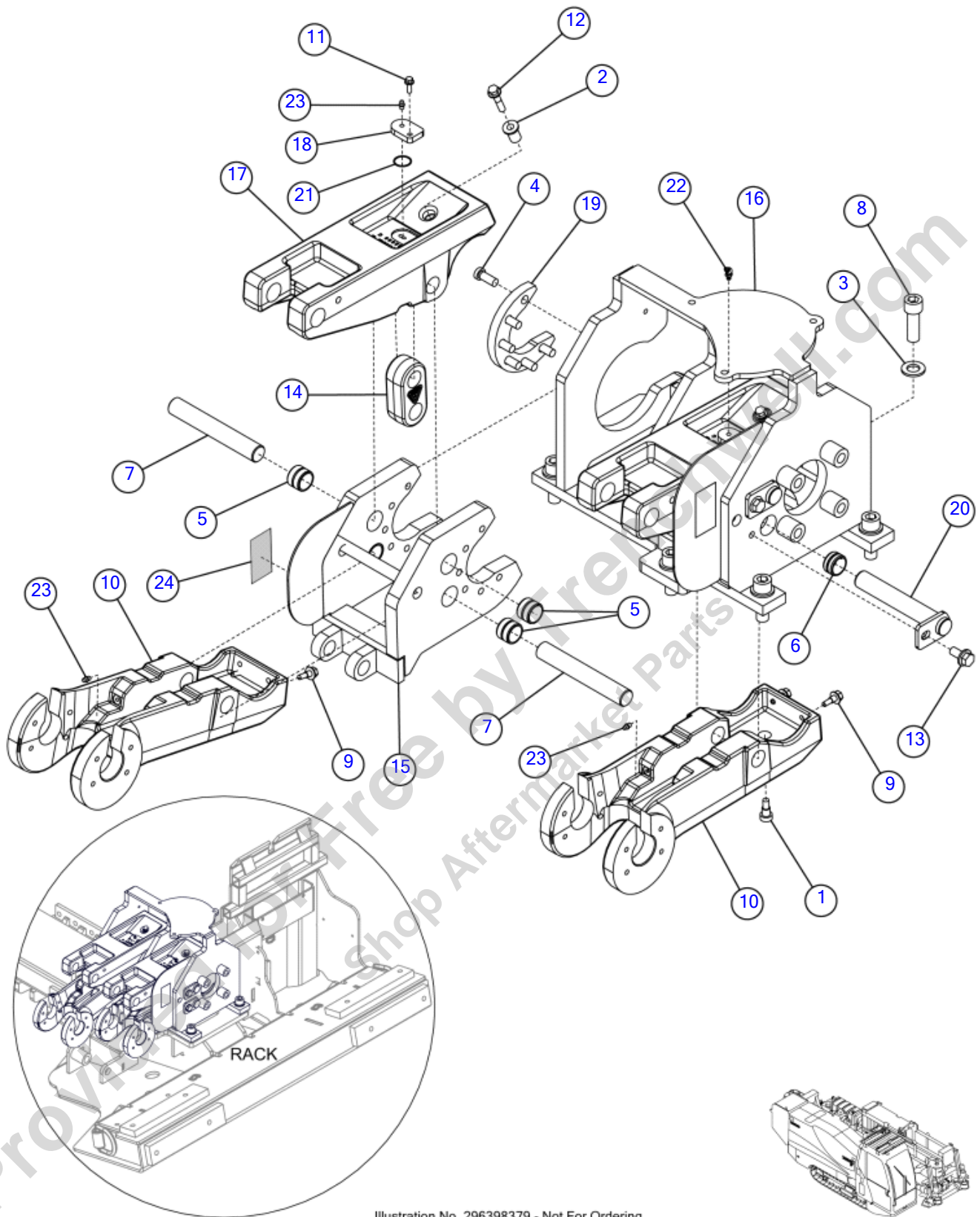


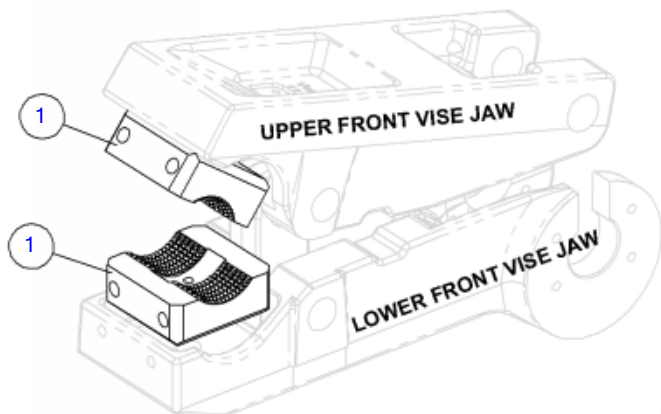
Illustration No. 296398379 - Not For Ordering

Vise
Fig 09-01

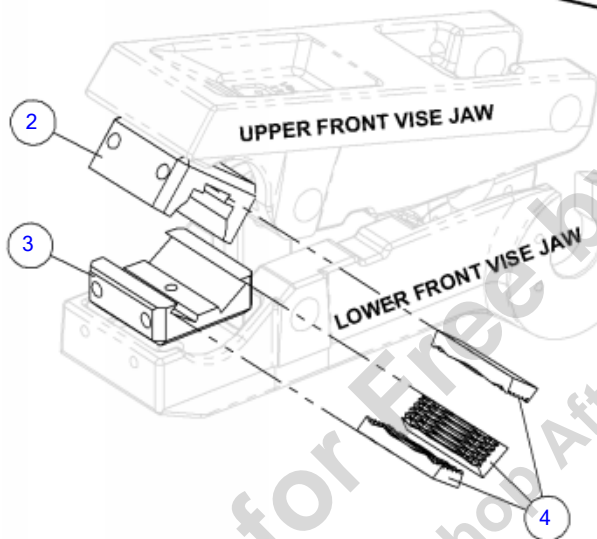
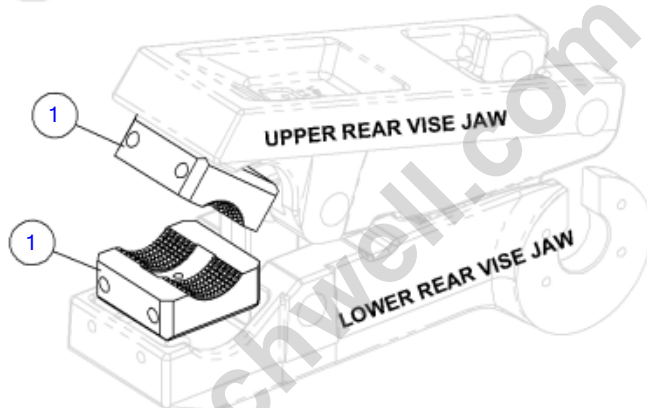
REF NO.	PART NO.	DESCRIPTION	QTY.	REMARKS
1	180007758	SCREW-SHSS-.50X.50-.38-16THD-CZ (PFCN)	2	
2	228064001	INSERT-FASTENER	2	
3	235717001	WASHER - 3/4" HARDENED FLAT YZ	6	
4	240854001	SCREW-1/2-13 UNCX1 1/4 LOW SH	12	
5	240877001	BSHG-STL 1 3/8 ODX1 1/8 ID-1.0	4	
6	240878001	BSHG-STL 1 3/8 ODX1 1/8 ID-.75	4	
7	240918001	PIN-PIVOT	2	
8	249153001	SCREW-3/4-10X2 1/4 GR8 Y/ZINC	6	
9	249161001	BOLT-JAW PIN 3/8-16 X 1 SP PER PRINT	4	
10	282810003	ARM ASSEMBLY - LOWER VISE ARM	2	
10	(282810001)	VISE - LOWER ARM	2	
11	296300753	SCREW-HFS-.25-20X.75-GR8-YZ	2	
12	296300775	SCREW HFS .38 16 X 1.75 GR8 YZ	2	
13	296300788	SCREW HFS .50 13 X 1.00 GR8 YZ	2	
14	296315287	LINK PLATE	2	
15	296398382	PIVOT VISE - DUPLICATE FIXTURE	1	
16	296398385	FRAME - VISE MAW	1	
17	296414764	ARM-JAW UPPER VICE-MACHINED	2	
18	296414765	PLATE - GREASE ZERK	2	
19	296424511	PLATE - INSERT VISE	2	
20	296443841	WELDMENT - VISE PIN	2	
21	296443915	ORING-1"X1/16" VITON	2	
22	596001	ZERK-1/4" NF 45 DEG GREASE	1	
23	598001	FITTING - 1/4" NF ST GREASE ZERK	5	
24	7000A864	DECAL-WARNING DOMESTIC	2	Domestic
24	700IA864	DECAL - WARNING INTERNATIONAL	2	International

Vise Jaw Dies

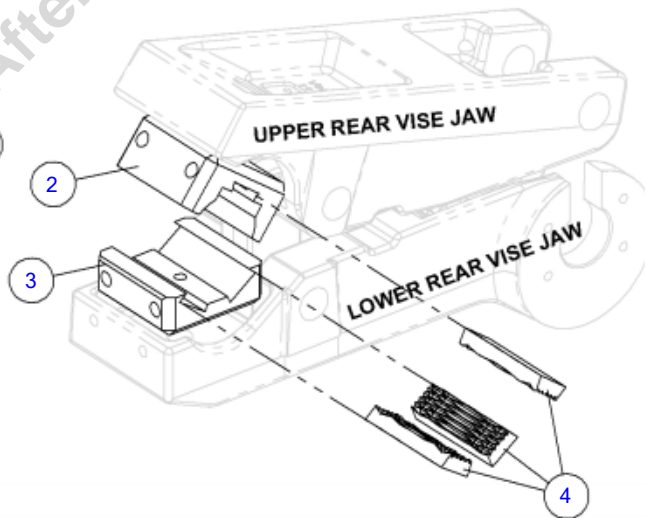
Fig 09-02



STANDARD VISE JAWS



AGGRESSIVE VISE JAWS



Vise Jaw Dies

Fig 09-02

REF NO.	PART NO.	DESCRIPTION	QTY.	REMARKS
1	230831001	VICE JAW 2.375in 600 PIPE	4	Sold Individually
2	296432590	WISE DIE HOLDER	2	Sold Individually
3	296432602	BAR-INSERT	2	Sold Individually
4	296303218	WISE INSERT DIAMOND PATTERN	6	Sold Individually

Provided for Free by Trenchwell.com
Shop Aftermarket Parts

Vise Clamp Jaw Cylinders

Fig 09-03

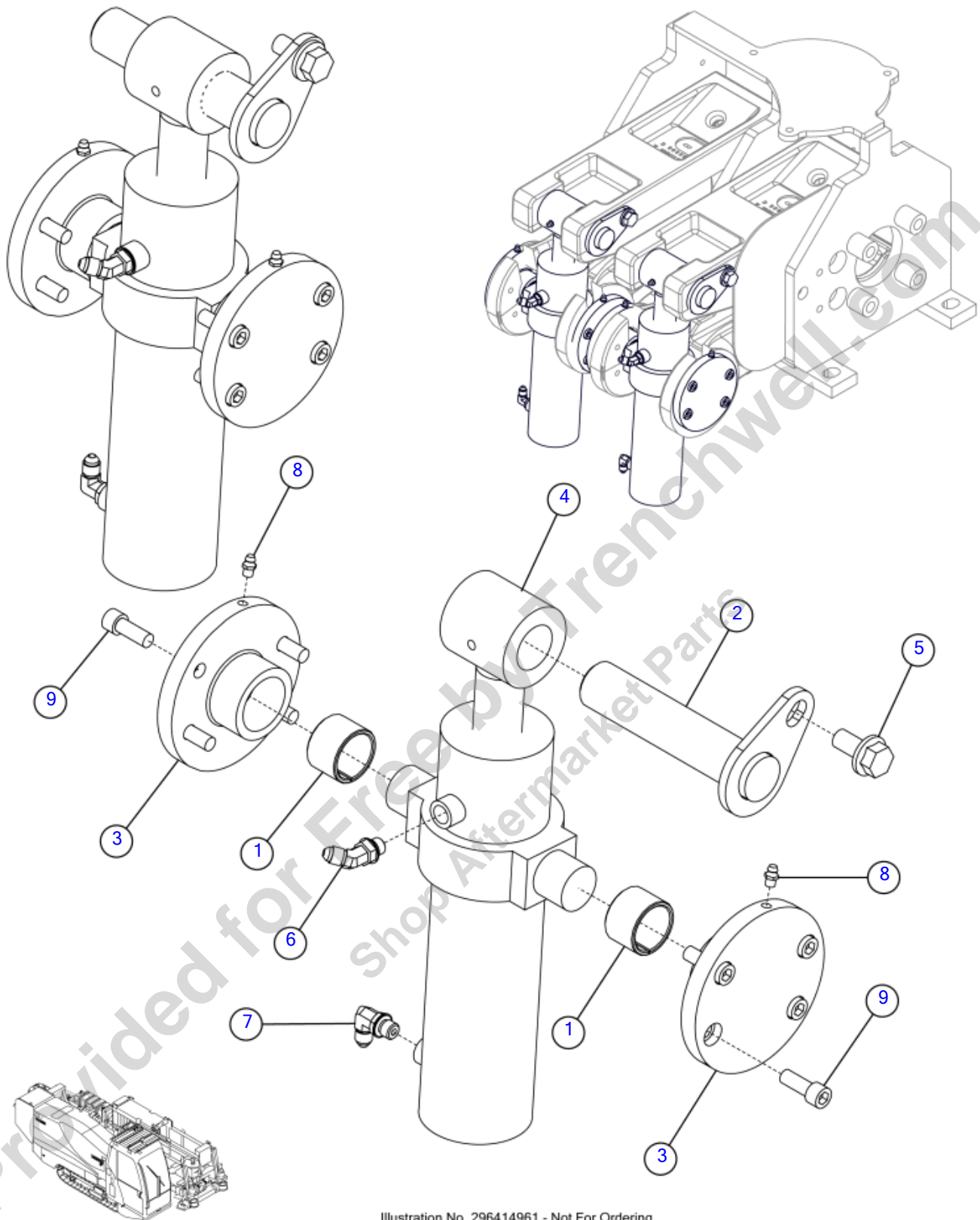


Illustration No. 296414961 - Not For Ordering

Vise Clamp Jaw Cylinders

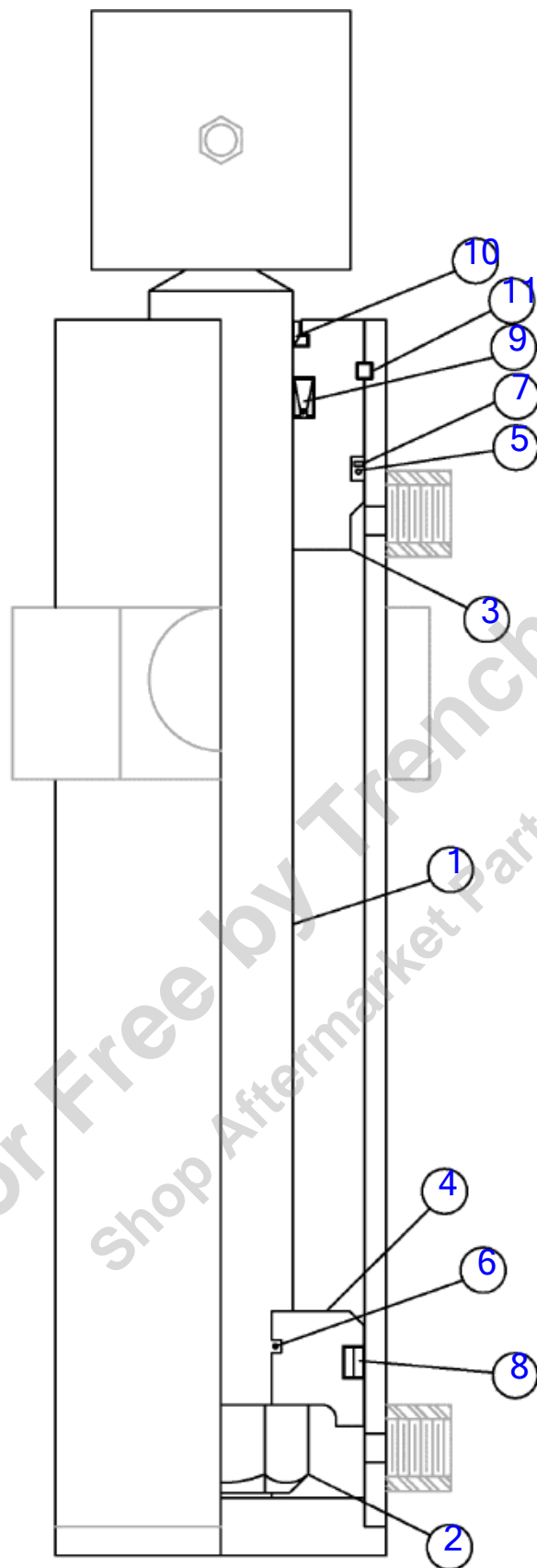
Fig 09-03

REF NO.	PART NO.	DESCRIPTION	QTY.	REMARKS
1	1835025	BSHG.-STL.- 1 1/2 X 1 1/4 X 1	4	
2	228058001	PIN-CLAMP	2	
3	240907001	BUSHING-TRUNNION	4	
3	(240888001)	BOSS-TRUNION	4	
4	296300269	CYLINDER - 2 1/2 X 6 5/8	2	Breakdown Fig. 9-3T01
5	296300788	SCREW HFS .50 13 X 1.00 GR8 YZ	2	
6	58295001	FITTING-4M OR X 4M JIC 45 DEG.	2	
7	59423001	FITTING-90-4MORBA-4MJ	2	
8	598001	FITTING - 1/4" NF ST GREASE ZERK	4	
9	601696010	SOCKET HD CAP SCREW 3/8-16X1 Z	16	

Provided for Free by Trenchwell.com
Shop Aftermarket Parts

Breakdown-Vise Clamp Jaw Cylinder

Fig 09-03T01



Breakdown-Vise Clamp Jaw Cylinder

Fig 09-03T01

REF NO.	PART NO.	DESCRIPTION	QTY.	REMARKS
1	296285214	SHAFT W/CLEVIS	1	
2		NUT	1	Not Sold Separately
3		HEAD	1	Not Sold Separately
4		PISTON	1	Not Sold Separately
5		O-RING	1	Included in Seal Kit - Not Sold Separately
6		O-RING	1	Included in Seal Kit - Not Sold Separately
7		BACKUP	1	Included in Seal Kit - Not Sold Separately
8		PSP-SEAL	1	Included in Seal Kit - Not Sold Separately
9		POLYPAK	1	Included in Seal Kit - Not Sold Separately
10		DUST SEAL	1	Included in Seal Kit - Not Sold Separately
11		RETAINING RING	1	Not Sold Separately
	296285215	REPAIR KIT	1	Includes Items 5 thru 10
	296300269	CYLINDER - 2 1/2 X 6 5/8	1	Includes All Items Listed Above

Provided for Free by Trenchwell.com
Shop Aftermarket Parts

Vise Rotation Cylinder

Fig 09-04

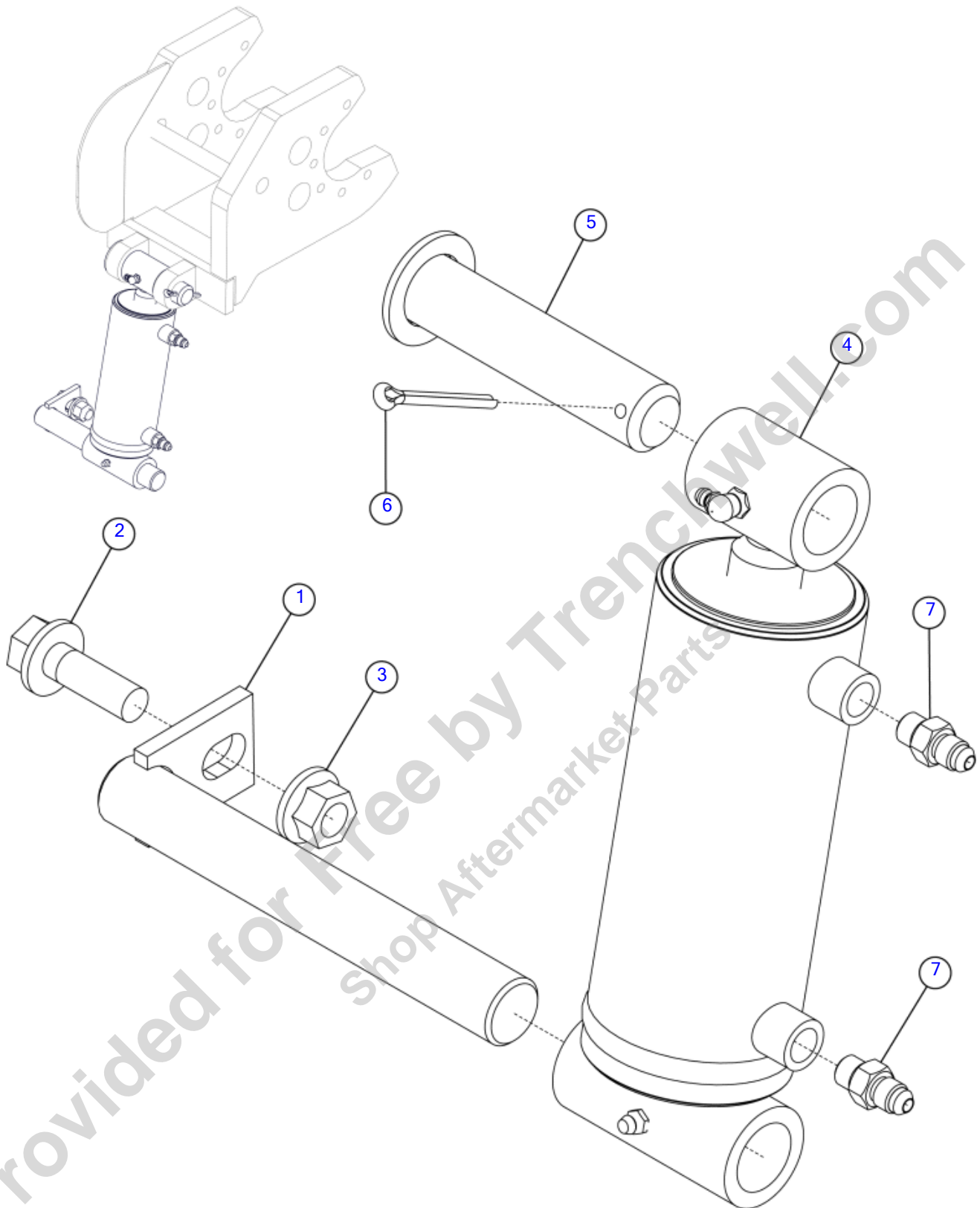


Illustration No. 296282554 - Not For Ordering

Vise Rotation Cylinder

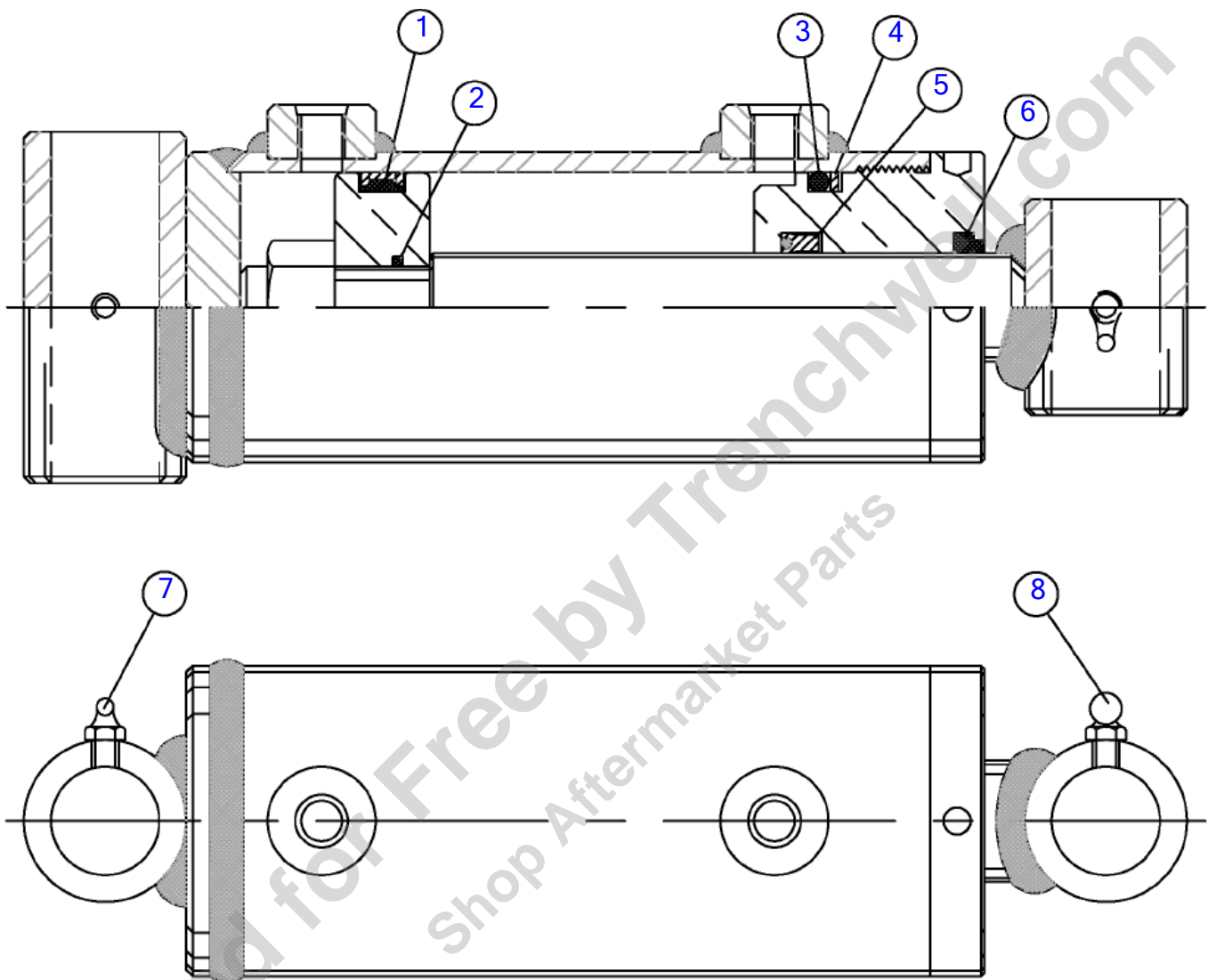
Fig 09-04

REF NO.	PART NO.	DESCRIPTION	QTY.	REMARKS
1	228037001	PIN-STATIONARY	1	
2	296300790	SCREW HFS .50 13X1.50 GR8 YZ	1	
3	296300851	NUT-HEXFLGTL-.50-13-G-YZ	1	
4	296325759	CYL - HYD - 2.5 X 3 - 1ROD - 9.25RPC	1	Breakdown Fig. 9-4T01
5	296424630	PIN - TILT	1	
6	510025	COTTER PIN-3/16" X 2"	1	
7	60908001	FITTING-4MX4M JIC STR ADAPTER	2	

Provided for Free by Trenchwell.com
Shop Aftermarket Parts

Breakdown-Vise Rotation Cylinder

Fig 09-04T01



Breakdown-Vise Rotation Cylinder
Fig 09-04T01

REF NO.	PART NO.	DESCRIPTION	QTY.	REMARKS
1		CAPPED T-SEAL	1	Included in Seal Kit - Not Sold Separately
2		O-RING	1	Included in Seal Kit - Not Sold Separately
3		O-RING	1	Included in Seal Kit - Not Sold Separately
4		BACKUP WASHER	1	Included in Seal Kit - Not Sold Separately
5		POLYPAK (TYPE "B")	1	Included in Seal Kit - Not Sold Separately
6		ROD WIPER	1	Included in Seal Kit - Not Sold Separately
7	598001	NII-FITTING - 1/4" NF ST GREASE ZERK	1	
8	597001	ZERK-1/4" NF 90 DEG GREASE ZYC	1	
	296325760	SEAL KIT CYL - HYD - 2.5 X 3 - 1ROD - 9.25RPC	1	Includes Items 1 thru 6
	296325759	CYL - HYD - 2.5 X 3 - 1ROD - 9.25RPC	1	Includes All Items Listed Above

Provided for Free by Trenchwell.com
 Shop Aftermarket Parts

Strike Alert w/ Rod Wiper

Fig 09-05

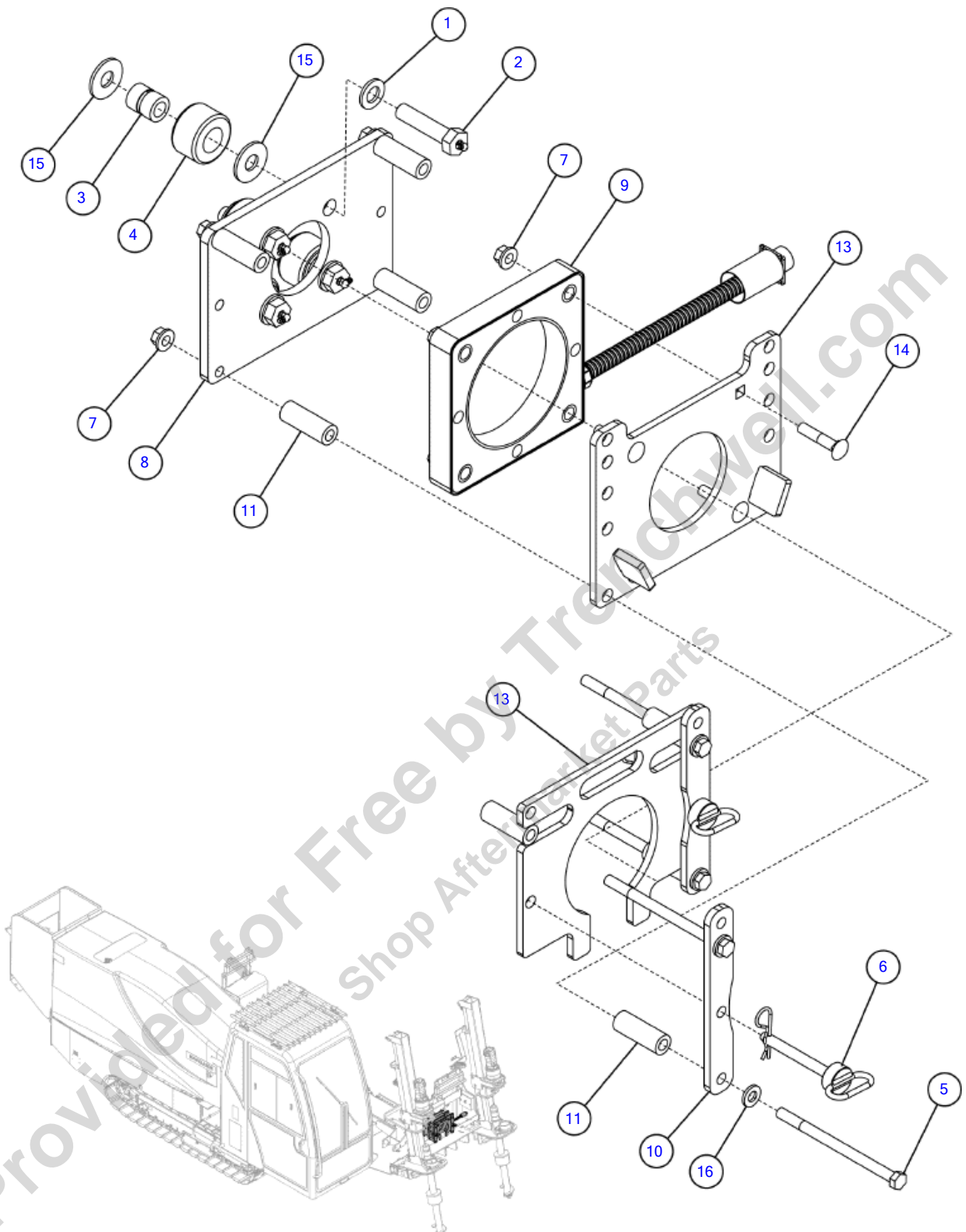


Illustration No. 296454533 - Not For Ordering

Strike Alert w/ Rod Wiper
Fig 09-05

REF NO.	PART NO.	DESCRIPTION	QTY.	REMARKS
1	235717001	WASHER - 3/4" HARDENED FLAT	4	
2	235915003	BOLT ASSEMBLY-GREASE	4	
3	244678001	BUSHING GUIDE ROLLER	4	
4	244679001	ROLLER-GUIDE	4	
5	249812001	BOLT-1/2-13X7 1/2 HHCS GR8	4	
6	296260035	PIN - HITCH - .50 X 4.00	2	
7	296300851	NUT-HEXFLGTL-.50-13-G	8	
8	296303235	PLATE- ROLLER SUPPORT	1	
9	296365502	STRIKE ALERT COIL 6" GEN2 W/ HD CON	1	
10	296389794	BAR - KEEPER	2	
11	296389795	TUBE - SPACER	8	
12	296454510	WELDMENT - STRIKE ALERT HOLDER	1	
13	296454512	PLATE - WIPER MOUNT	1	
14	377024	BOLT - 1/2-13X2 1/2"GD#5CARRIAGE	4	
15	485017	WASHER-3/4 FLAT	8	
16	485025	WASHER-1/2 FLAT-HARDENED	4	

Provided for Free by Trenchwell.com
 Shop Aftermarket Parts

Valve - Vise

Fig 09-06

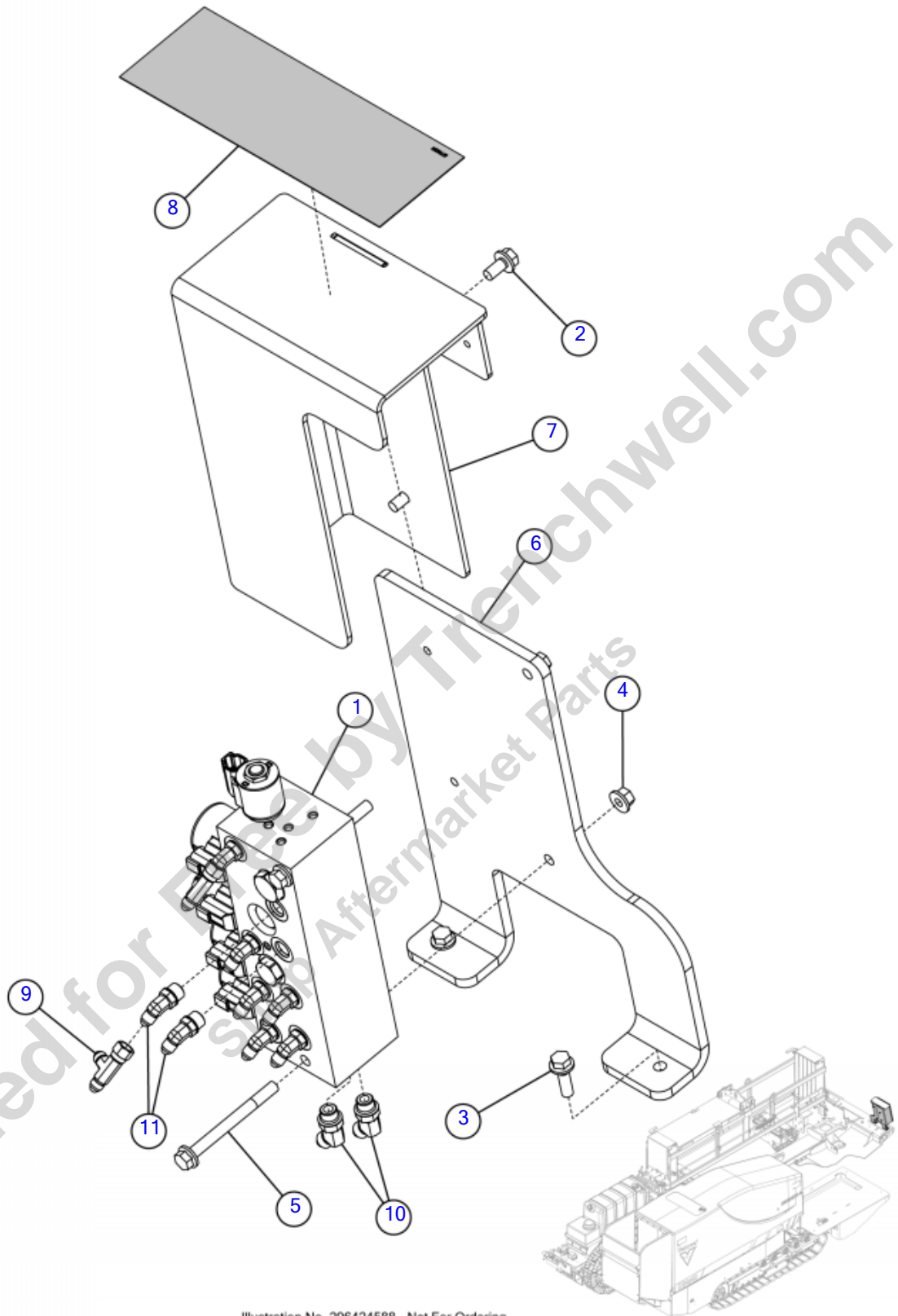


Illustration No. 296424588 - Not For Ordering

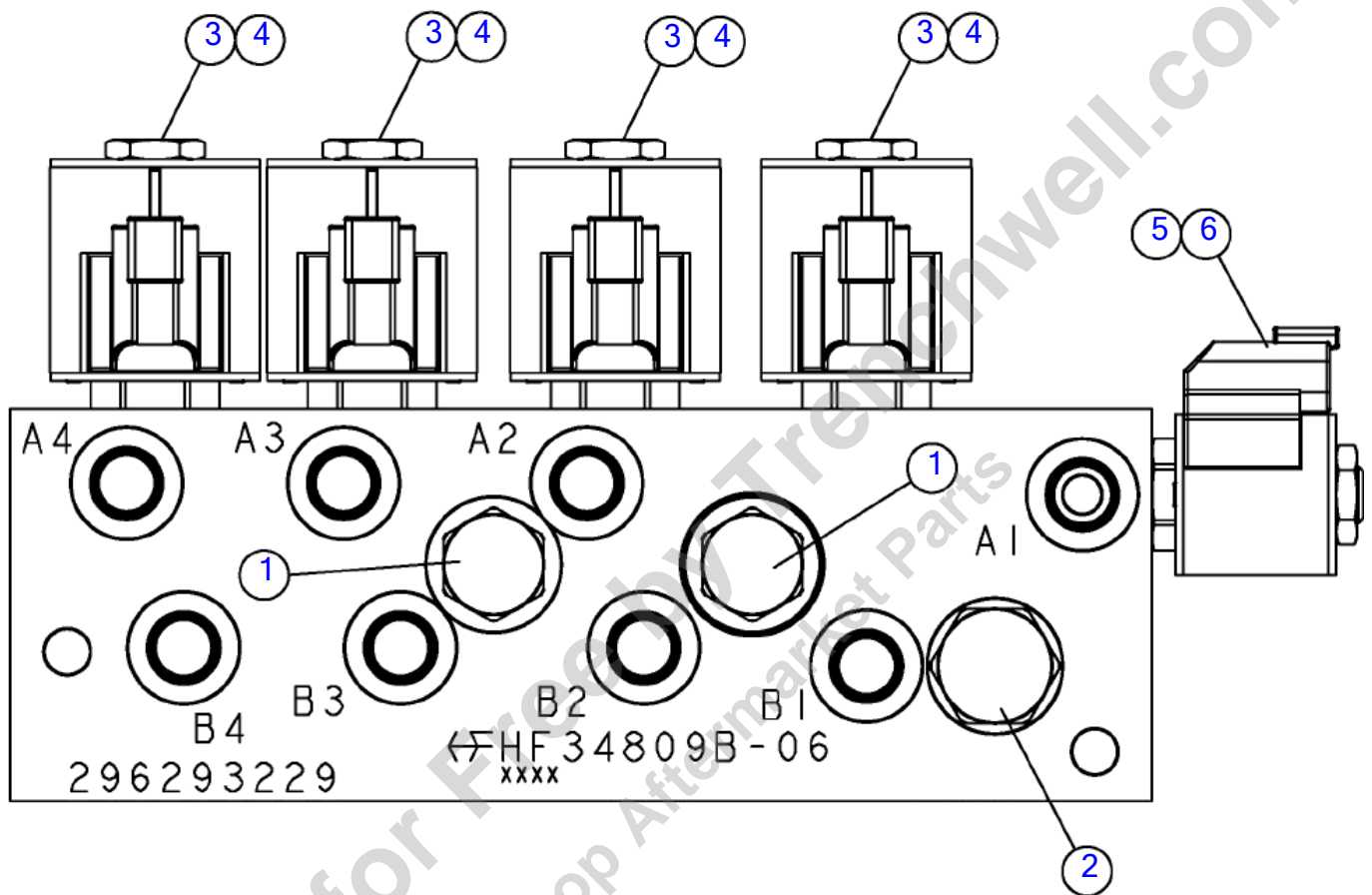
Valve - Vise
Fig 09-06

REF NO.	PART NO.	DESCRIPTION	QTY.	REMARKS
1	296293229	VALVE - VISE	1	Breakdown Fig. 9-6T01
2	296300771	SCREW-HFS-.38-16X.75GR8	2	
3	296300773	SCREW-HFS-.38-16X1.25-GR8	2	
4	296300850	NUT-HEXFLGTL-.38-16-G	2	
5	296300941	SCREW-HFS-.38-16X4.00 GR8 YZ	2	
6	296424691	ANGLE - VISE VALVE MOUNT	1	
7	296432076	WELDMENT - VALVE COVER	1	
8	5776001	TAPE - SAFETY WALK 4in WIDE PER FOOT	1	
9	60248001	TEE-4M JICX4M JICX4FS JIC	2	
10	65563001	FITTING - 6M O-RING X 6M JIC 45 DEGREE	2	
11	82931001	FITTING 45 4MJX6MORBA	8	

Provided for Free by Trenchwell.com
Shop Aftermarket Parts

Breakdown-Vise Valve

Fig 09-06T01



Breakdown-Vise Valve

Fig 09-06T01

REF NO.	PART NO.	DESCRIPTION	QTY.	REMARKS
1	228128017	VALVE CHECK	2	
2	500659013	VALVE-PILOT CHECK,CART.,4:1	1	
2	(296278196)	CHECK VALVE	1	
3	228128003	CARTRIDGE - SOLENOID	4	
4	296271077	COILS 2	4	
5	251113005	CARTRIDGE SOLENOID	1	
6	296271115	COIL	1	
	296293229	VALVE - VISE	1	Includes All Items Listed Above

Provided for Free by Trenchwell.com
Shop Aftermarket Parts

Voltage Stake

Fig 09-07

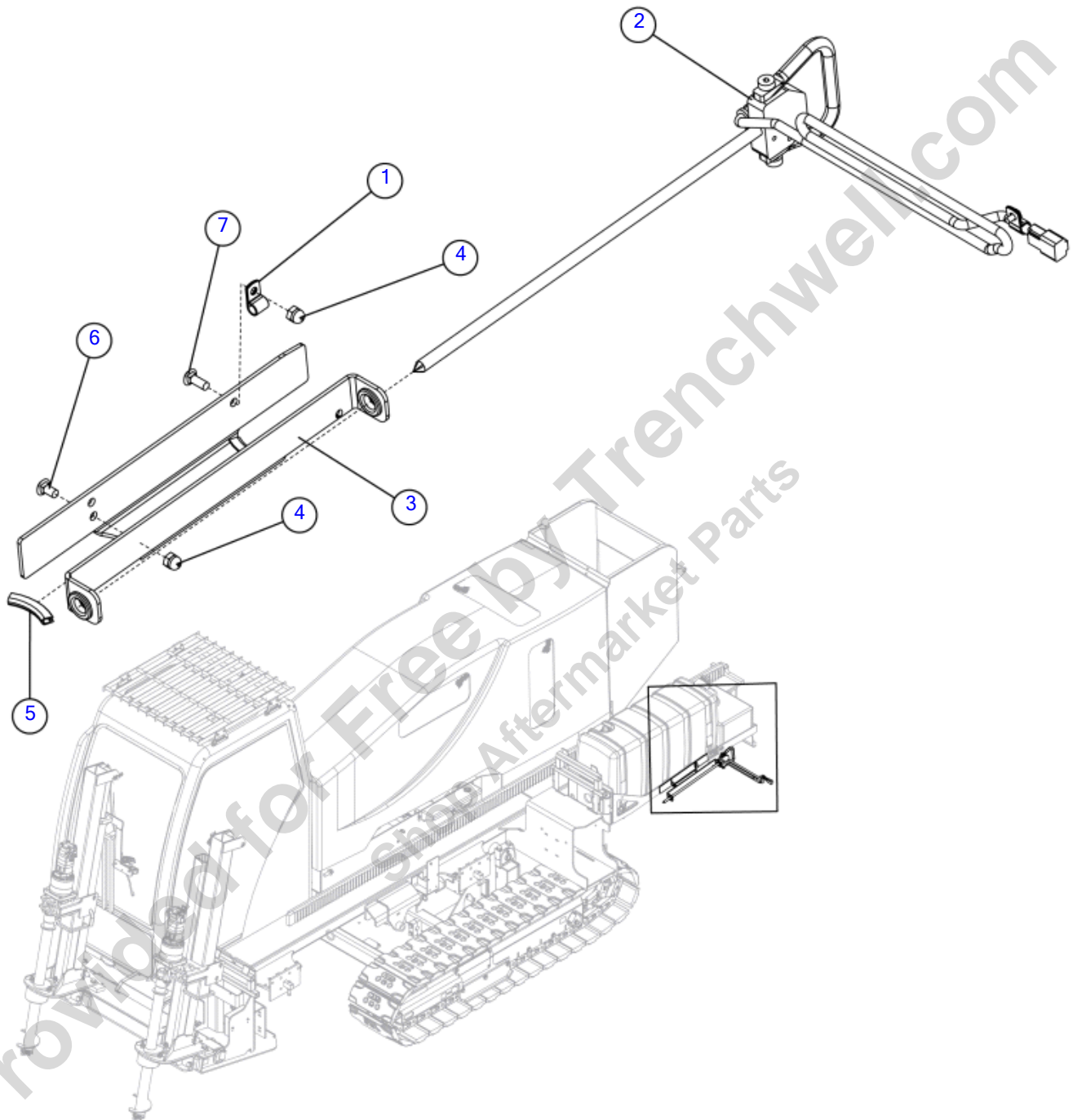


Illustration No. 296414970 - Not For Ordering

Voltage Stake

Fig 09-07

REF NO.	PART NO.	DESCRIPTION	QTY.	REMARKS
1	2595001	HOSE CLAMP - 1/2" "P" STYLE	1	
2	296273406	ASSEMBLY - VOLTAGE STAKE	1	Breakdown Fig. 9-7T01
3	296381734	PLATE - GROUNDING PLATE	1	
4	296443936	3/8-16 ACORN CAP NUT-NICKEL	2	
5	296463079	EDGE TRIM	2	
6	375006	BOLT-3/8-16X3/4 CARRIAGE GR. 5	1	
7	375010	BOLT-3/8"-16X1"GD#5 CARRIAGE	1	

Provided for Free by Trenchwell.com
Shop Aftermarket Parts

Breakdown-Voltage Stake

Fig 09-07T01

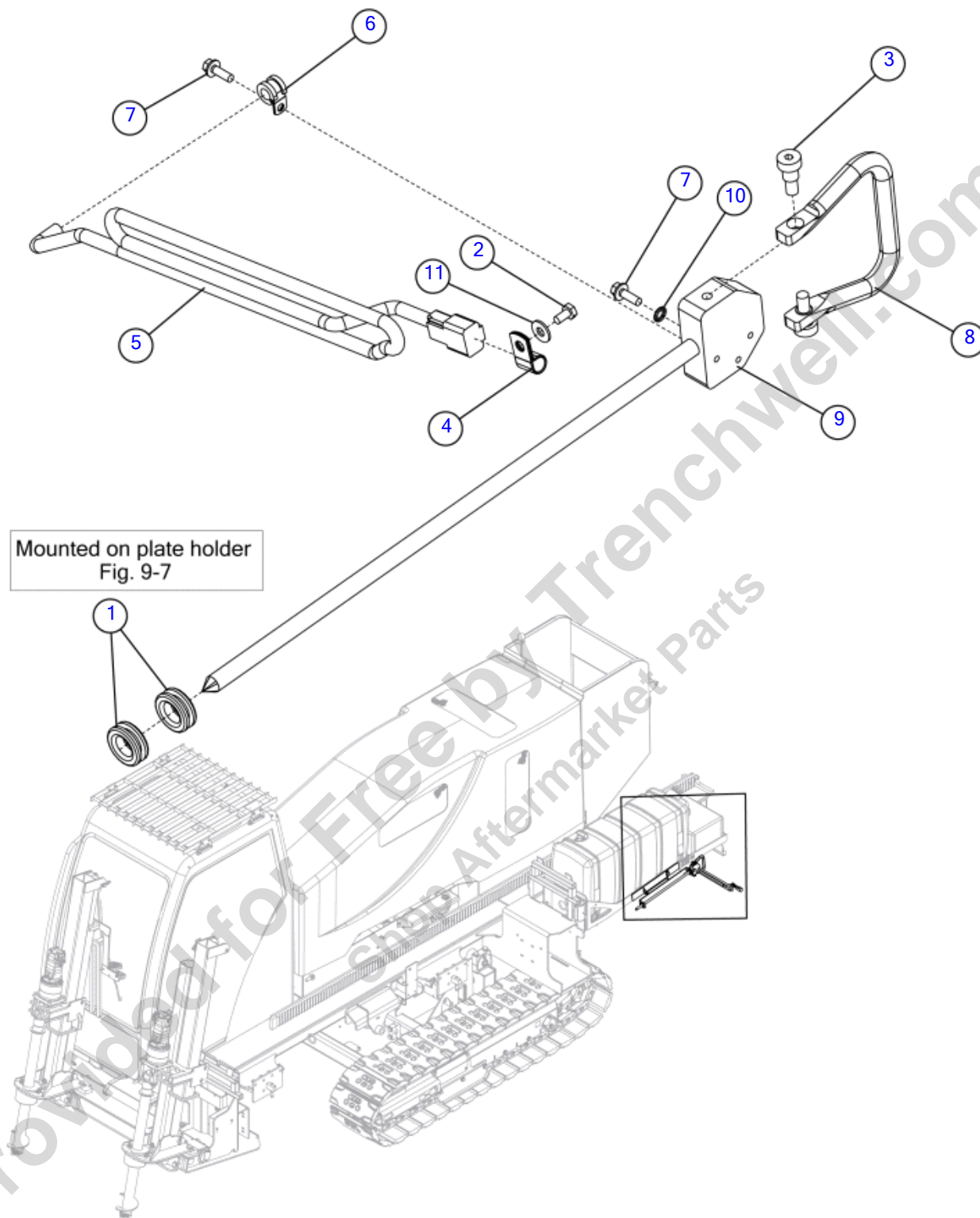


Illustration No. 296273406 - Not For Ordering

Breakdown-Voltage Stake

Fig 09-07T01

REF NO.	PART NO.	DESCRIPTION	QTY.	REMARKS
1	1865043	GROMMET-.75IDX1.38OD-.19GROOVE	2	
2	235733001	BOLT-1/4-20X1/2 GR8 ZYC	1	
3	240056001	SCREW-SHSS-.50X.50-.38-16THD-CZ	2	
4	2595001	HOSE CLAMP - 1/2" "P" STYLE	1	
5	296275117	HARNESS-VOLTAGE STAKE	1	
6	296275118	CLAMP - #8	1	
7	296300753	SCREW-HFS-.25-20X.75-GR8-YZ	3	
8	296398706	HANDLE VOLTAGE STAKE	1	
9	296408502	ASSEMBLY - VOLTAGE STAKE	1	Breakdown Fig. 9-7T02
10	481013	WASHER-1/4 EST. STAR	2	
11	510337603	WASHER FLATSTD .25 .31 X .75 .07 YZ	1	

Provided for Free by Trenchwell.com
Shop Aftermarket Parts

Breakdown-Voltage Stake

Fig 09-07T02

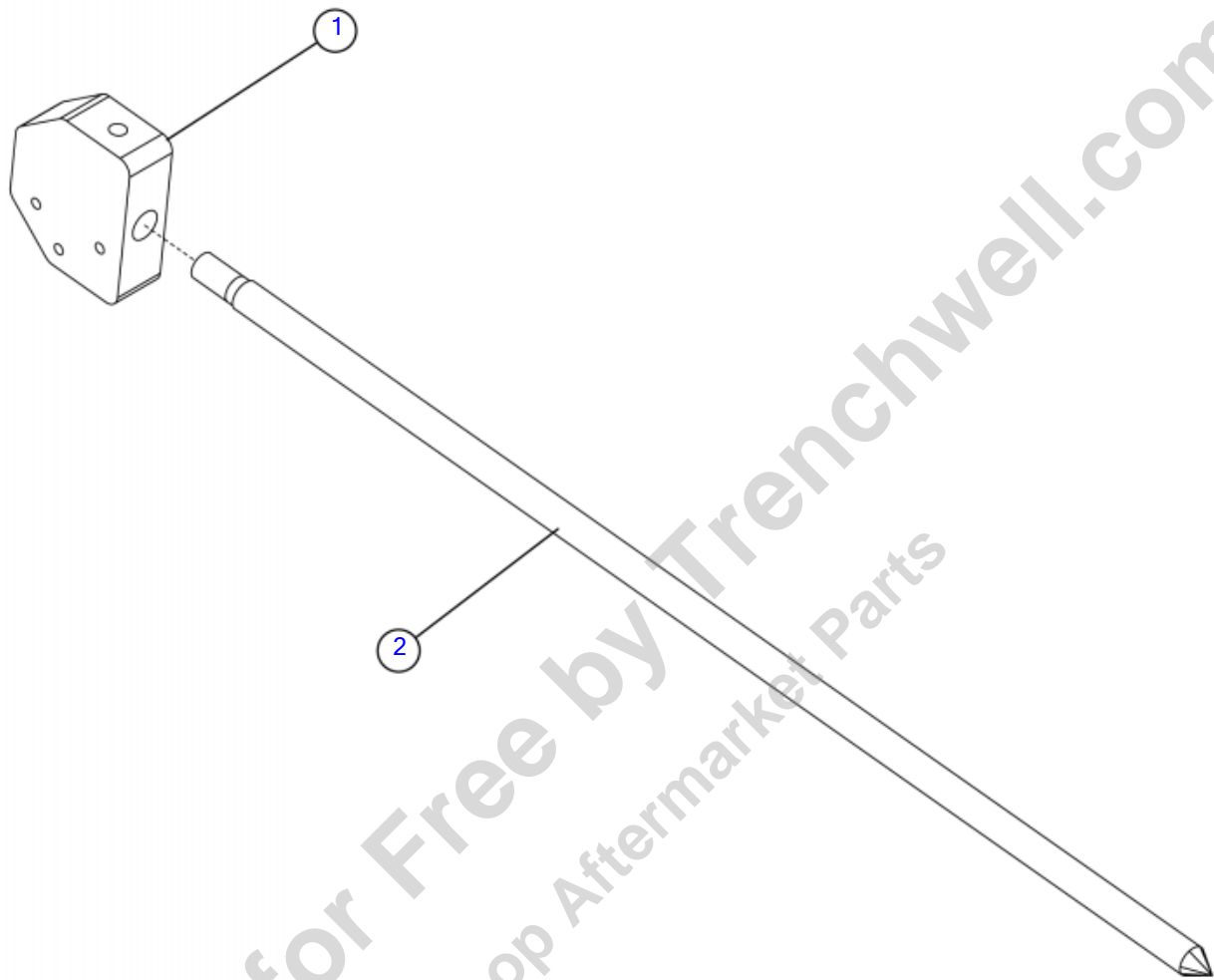


Illustration No. 296408502 - Not For Ordering

Breakdown-Voltage Stake

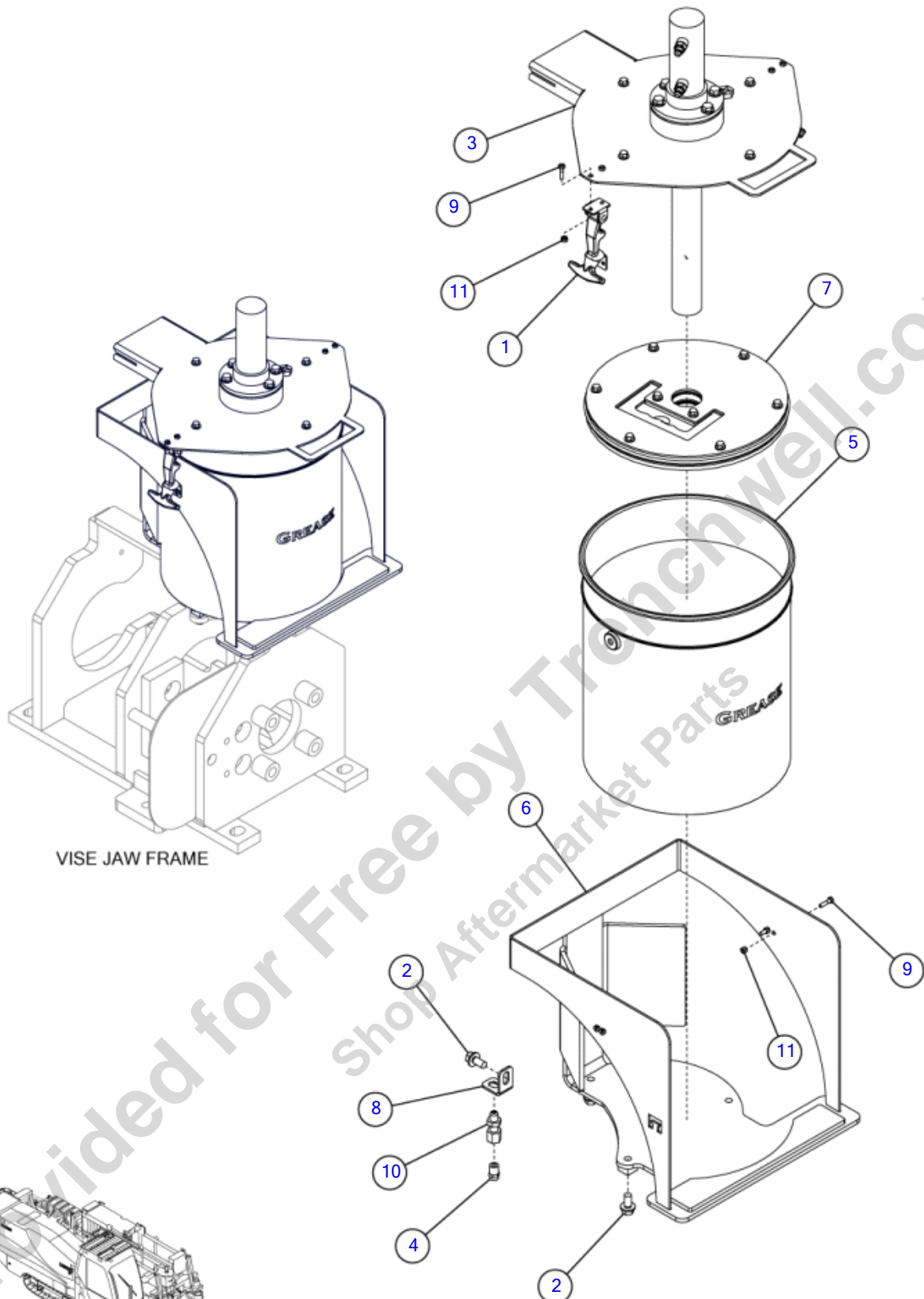
Fig 09-07T02

REF NO.	PART NO.	DESCRIPTION	QTY.	REMARKS
1	296408501	PLATE - VOLTAGE STAKE TOP	1	
2	904155001	VOLTAGE STAKE	1	
	296408502	ASSEMBLY - VOLTAGE STAKE	1	Incl. All Items In Figure

Provided for Free by Trenchwell.com
Shop Aftermarket Parts

Grease Bucket - 5 Gallon

Fig 09-08



WISE JAW FRAME

Illustration No. 296424613 - Not For Ordering

Grease Bucket - 5 Gallon

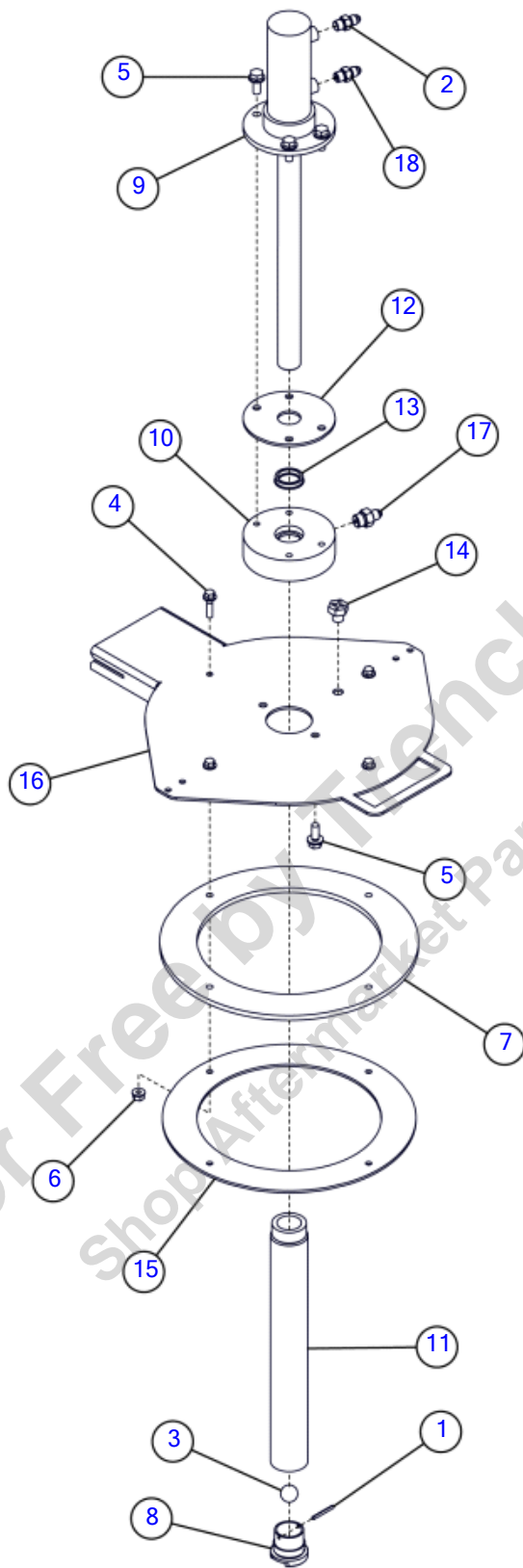
Fig 09-08

REF NO.	PART NO.	DESCRIPTION	QTY.	REMARKS
1	109591001	LATCH 4in RUBBER T HANDLE	2	
2	296300771	SCREW-HFS-.38-16X.75GR8	4	
3	296408577	ASSEMBLY - AUTO GREASER TOP 5 GALLON	1	See Figure 9-9
4	296408586	TIP - SPRAY .045 ORIFICE 40 DEGREE FAN	1	
5	296408629	BUCKET-COPPER ARTIC 5 GAL PLSTC STRT SIDED	1	
6	296424623	WELDMENT - GREASER MOUNT	1	
7	296426018	ASSEMBLY-FOLLOWER PLASTIC STRT SIDED BUCKET	1	See Figure 9-10
8	296443761	PLATE - GREASE NOZZLE	1	
9	510357010	SCREW-MCH-10-24X.75-GR2-YZ-HWH-SLOTTED	8	
10	76201001	FITTING-1/8FX4M JIC(BULKHEAD)	1	
11	99042001	NUT-NYLOCK-#10-24-GR2-CZ	8	

Provided for Free by Trenchwell.com
Shop Aftermarket Parts

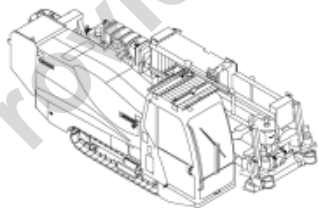
5 Gallon Auto Greaser Top

Fig 09-09



Provided for Free by [Frenchwell.com](http://www.Frenchwell.com)
ShopAftermarketParts

Illustration No. 296408577 - Not For Ordering



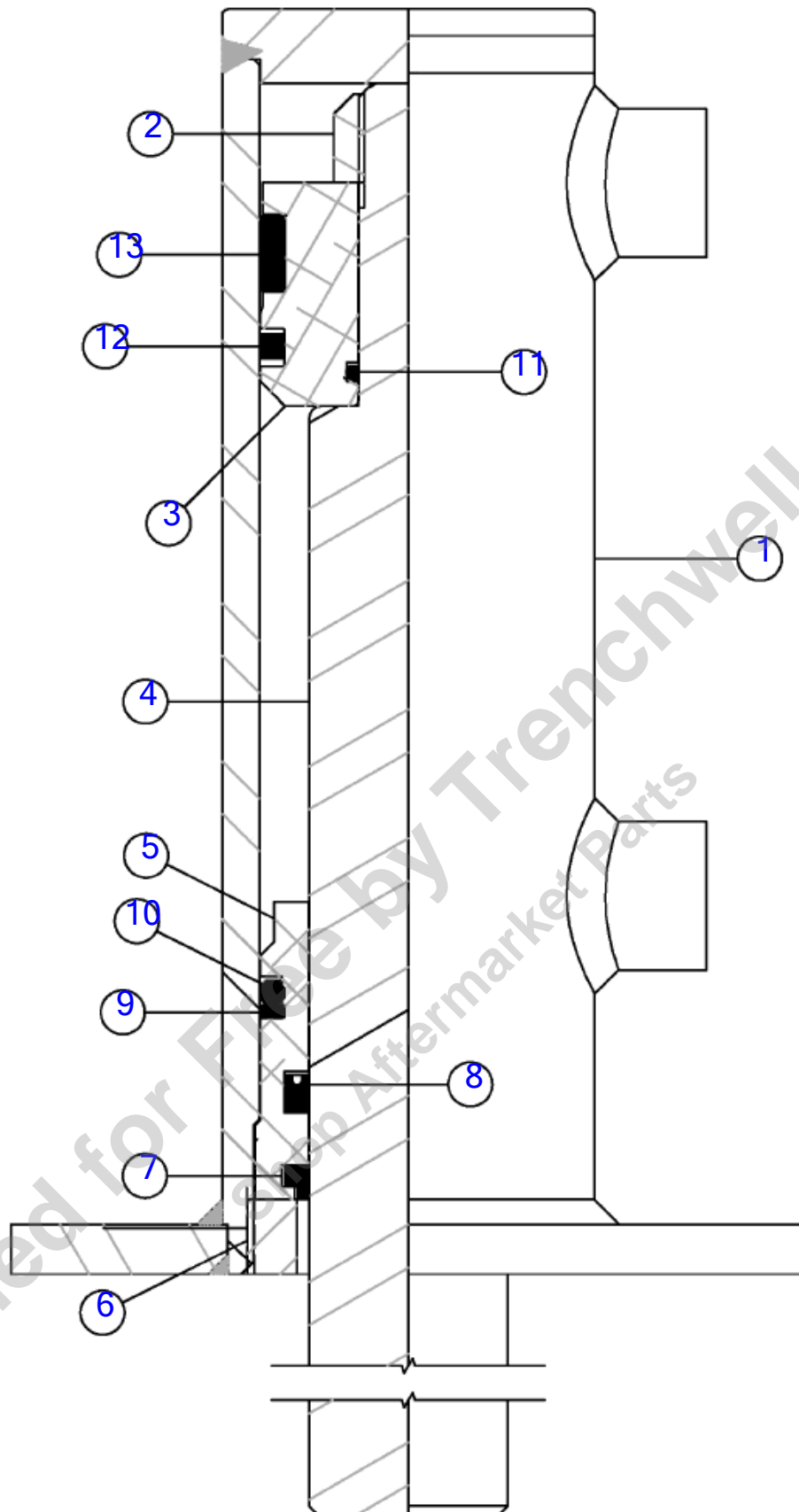
5 Gallon Auto Greaser Top
Fig 09-09

REF NO.	PART NO.	DESCRIPTION	QTY.	REMARKS
1	157672001	SPRING PIN 1/8 X 1.25 ZINC	1	
2	236488001	FITTING-4MOR X 4 MJIC R.047	1	
3	296288544	BALL STEEL	1	
4	296300754	SCREW HFS .25 20X1.00 GR8 YZ	4	
5	296300762	SCREW HFS .31 - 18 X .75 GR8 YZ	6	
6	296300848	NUT-HEXFLGTL-.25-20-G-YZ	4	
7	296385085	GREASE BUCKET SEAL	1	
8	296385086	PICKUP - GREASER	1	
9	296385150	CYLINDER-HYD 1 1/2 X 3	1	Breakdown Fig. 9-9T01
10	296385152	BAR - CYLINDER MOUNT	1	
11	296408572	TUBE - GREASE	1	
12	296408578	PLATE - SEAL BACKING	1	
13	296408579	SEAL-GREASE CYLINDER	1	
14	296408590	VENT-GREASE BUCKET	1	
15	296408639	PLATE - LID SEAL	1	
16	296426055	PLATE - GREASER TOP D60	1	
17	57968001	FITTING-STR-4MJ-6MORB	1	
18	60908001	FITTING-4MX4M JIC STR ADAPTER	1	

Provided for Free by Trenchwell.com
Shop Aftermarket Parts

Breakdown-5 Gallon Greaser Cylinder

Fig 09-09T01



Breakdown-5 Gallon Greaser Cylinder
Fig 09-09T01

REF NO.	PART NO.	DESCRIPTION	QTY.	REMARKS
1		HDI BARREL ASSY-1 1/2"	1	Not Sold Separately
2		FULL LOCK NUT-1/2"	1	Not Sold Separately
3		PISTON 1/2" SHAFT-1 1/2"	1	Not Sold Separately
4		SHAFT-1"	1	Not Sold Separately
5		HDI HEAD 1" SHAFT-1 1/2"	1	Not Sold Separately
6		INTERNAL COLLAR-1 1/2"	1	Not Sold Separately
7		DUST SEAL	1	Included in Seal Kit, Not Sold Separately
8		BT SEAL	1	Included in Seal Kit, Not Sold Separately
9		BACK UP	1	Included in Seal Kit, Not Sold Separately
10		O-RING	1	Included in Seal Kit, Not Sold Separately
11		O-RING	1	Included in Seal Kit, Not Sold Separately
12		PSP SEAL	1	Included in Seal Kit, Not Sold Separately
13		WEAR RING	1	Included in Seal Kit, Not Sold Separately
	296454041	1 1/2" SEAL KIT	1	Includes Items 7 thru 13
	296385150	CYLINDER-HYD 1 1/2 X 3	1	Includes All Items Listed Above

Provided for Free by Trenchwell
 Shop Aftermarket Parts

5 Gallon Auto Greaser Follower

Fig 09-10

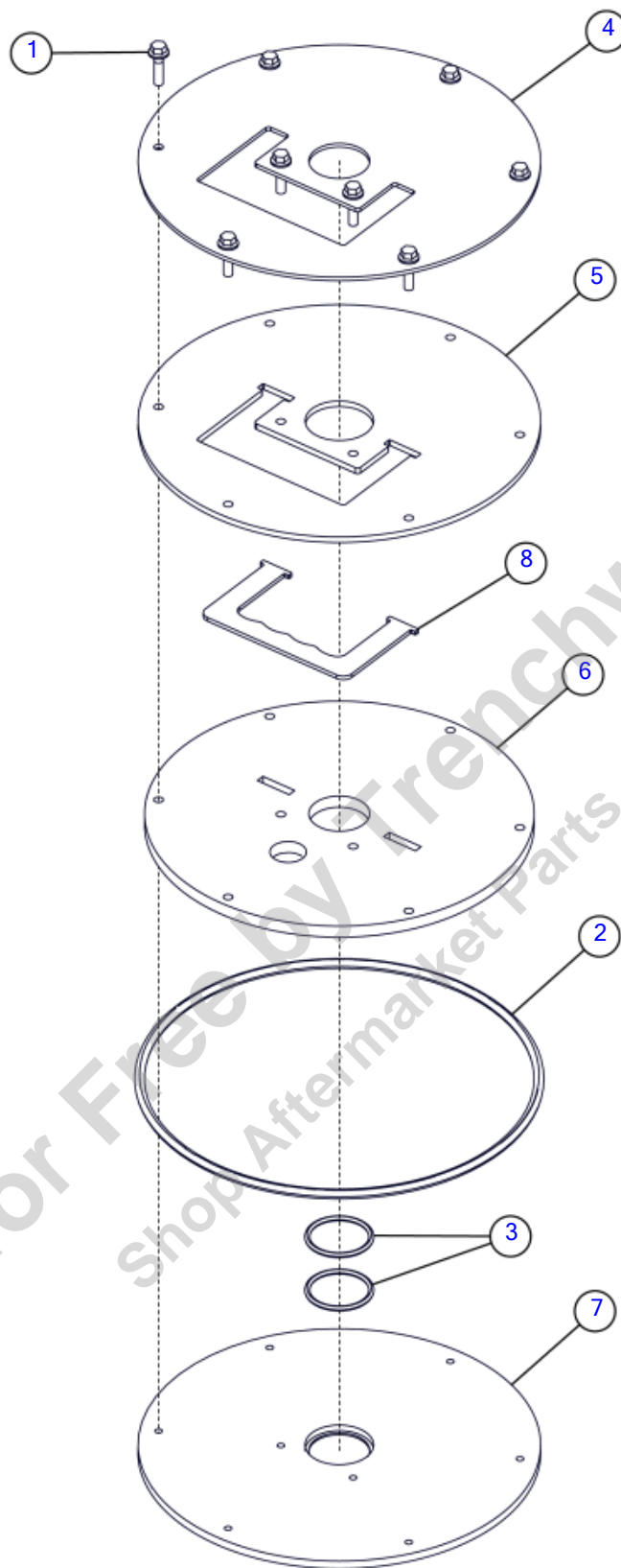
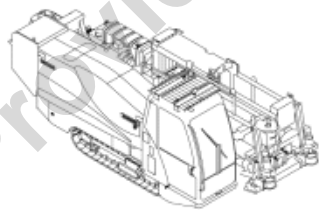


Illustration No. 296426018 - Not For Ordering



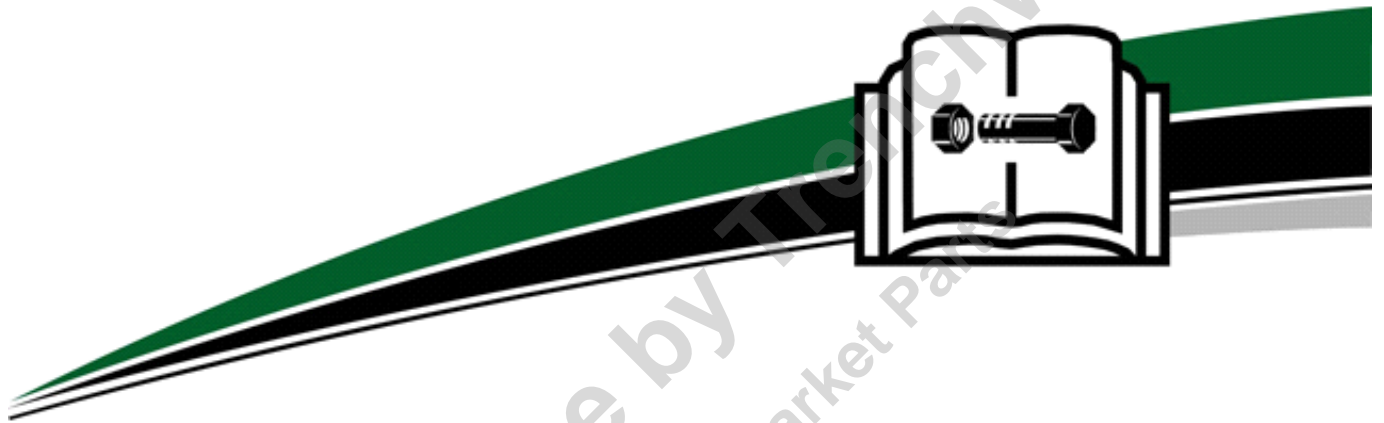
5 Gallon Auto Greaser Follower

Fig 09-10

REF NO.	PART NO.	DESCRIPTION	QTY.	REMARKS
1	296300751	SCREW HFS .25-20X.50 GR8-YZ	8	
2	296408616	O-RING SIZE-450 NRB70	1	
3	296408634	O-RING SIZE-223 NBR 70	2	
4	296426019	PLATE - GREASER FOLLOWER	1	
5	296426020	PLATE - GREASER FOLLOWER	1	
6	296426021	PLATE - GREASER FOLLOWER	1	
7	296426059	PLATE - FOLLOWER	1	
8	296426234	PLATE - HANDLE	1	
	296426018	ASSEMBLY-FOLLOWER PLASTIC STRT SIDED BUCKET	1	Includes All Items In Figure

Provided for Free by Trenchwell.com
Shop Aftermarket Parts

Stakedowns



Provided for Free by Trenchwell.com
Shop Aftermarket Parts

Stakedowns

Valve - Stakedown	Fig	10-01
Breakdown-Stakedown Valve	Fig	10-01T01
Standard Stakedown	Fig	10-02
Breakdown-Standard Stakedown Cylinder	Fig	10-02T01
Breakdown-Standard Stakedown Motor/Planetary	Fig	10-02T02
Standard Stakes	Fig	10-03
Standard Aggressive Stakes	Fig	10-04
Large Aggressive Stakedown	Fig	10-05
Breakdown-Large Aggressive Stakedown Cylinder	Fig	10-05T01
Breakdown-Large Aggressive Stakedown Motor/Planetary	Fig	10-05T02
Large Aggressive Stakes	Fig	10-06
Breakdown-Large Aggressive Stakes	Fig	10-06T01

Provided for Free by Trenchwell.com
Shop Aftermarket Parts

Valve - Stakedown
Fig 10-01

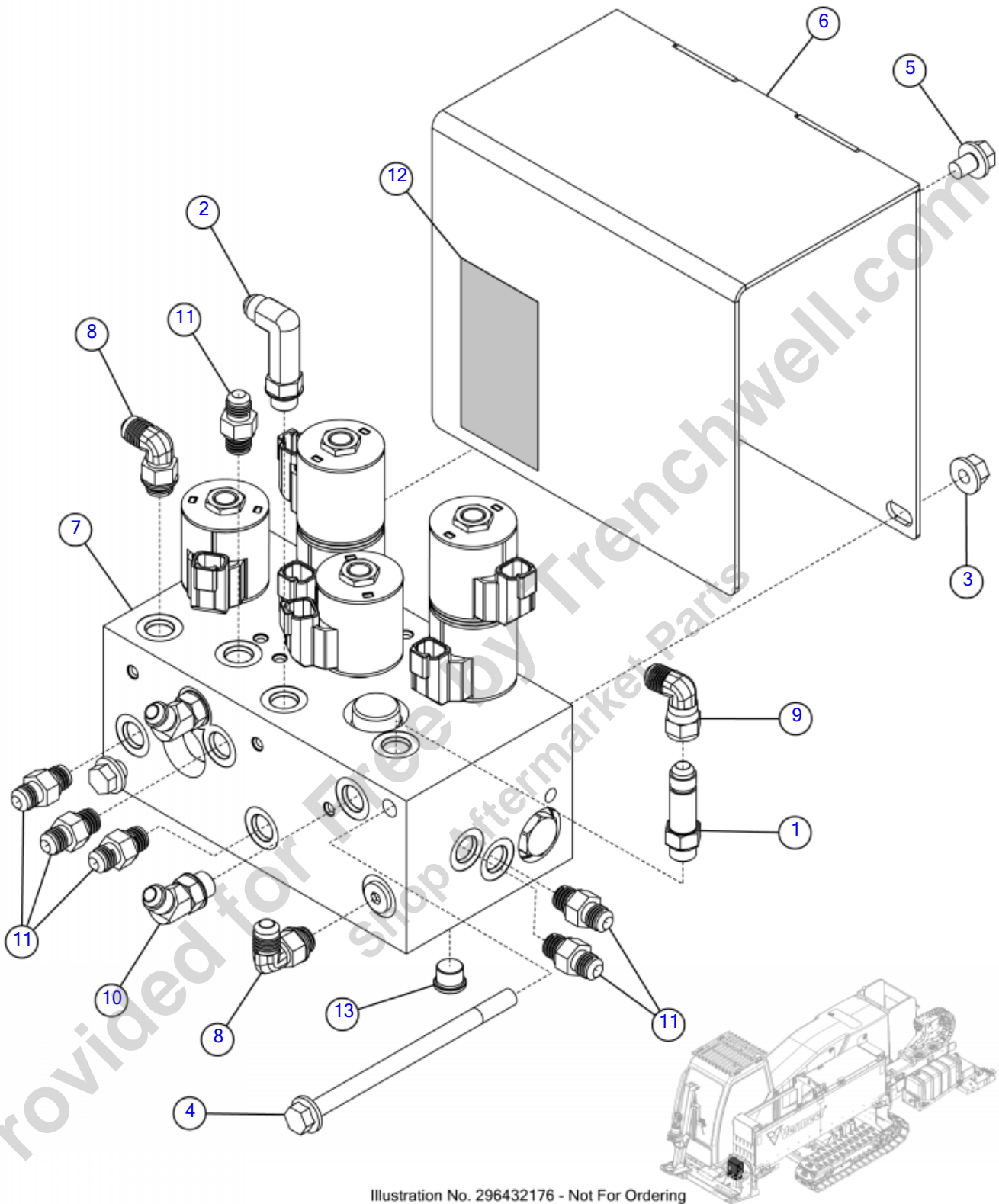


Illustration No. 296432176 - Not For Ordering

Valve - Stakedown

Fig 10-01

REF NO.	PART NO.	DESCRIPTION	QTY.	REMARKS
1	103047001	FITTING-6MJICX6MORING LONG STR	1	
2	157172001	FITTING - 6M X 6M JIC LL 90 DEG	1	
3	296300850	NUT-HEXFLGTL-.38-16-G	2	
4	296300911	SCREW-HFS-.38-16X6.00-GR8	2	
5	296300922	SCREW-HFS-.38-16X.50-GR8	1	
6	296416054	WELDMENT - STAKEDOWN VALVE COVER	1	
7	296499032	VALVE-STAKEDOWN	1	Breakdown Fig. 10-1T01
8	59426001	FITTING-90-6MJ-6MORB	2	
9	60851001	FITTING-6M JICX6FS JIC 90ELBOW	1	
10	65563001	FITTING - 6M O-RING X 6M JIC 45 DEGREE	2	
11	65565001	FITTING - 6M O-RING X 6M JIC ST.	6	
12	7000C446	DECAL - NO WELD	1	Domestic
12	700IC446	DECAL - NO WELD	1	International
13	86678001	PLUG-6M ORING HOLLOW HEX	1	

Breakdown-Stakedown Valve

Fig 10-01T01

Breakdown limited because: special tools or training required, parts not available, may void warranty, and/or not cost effective.

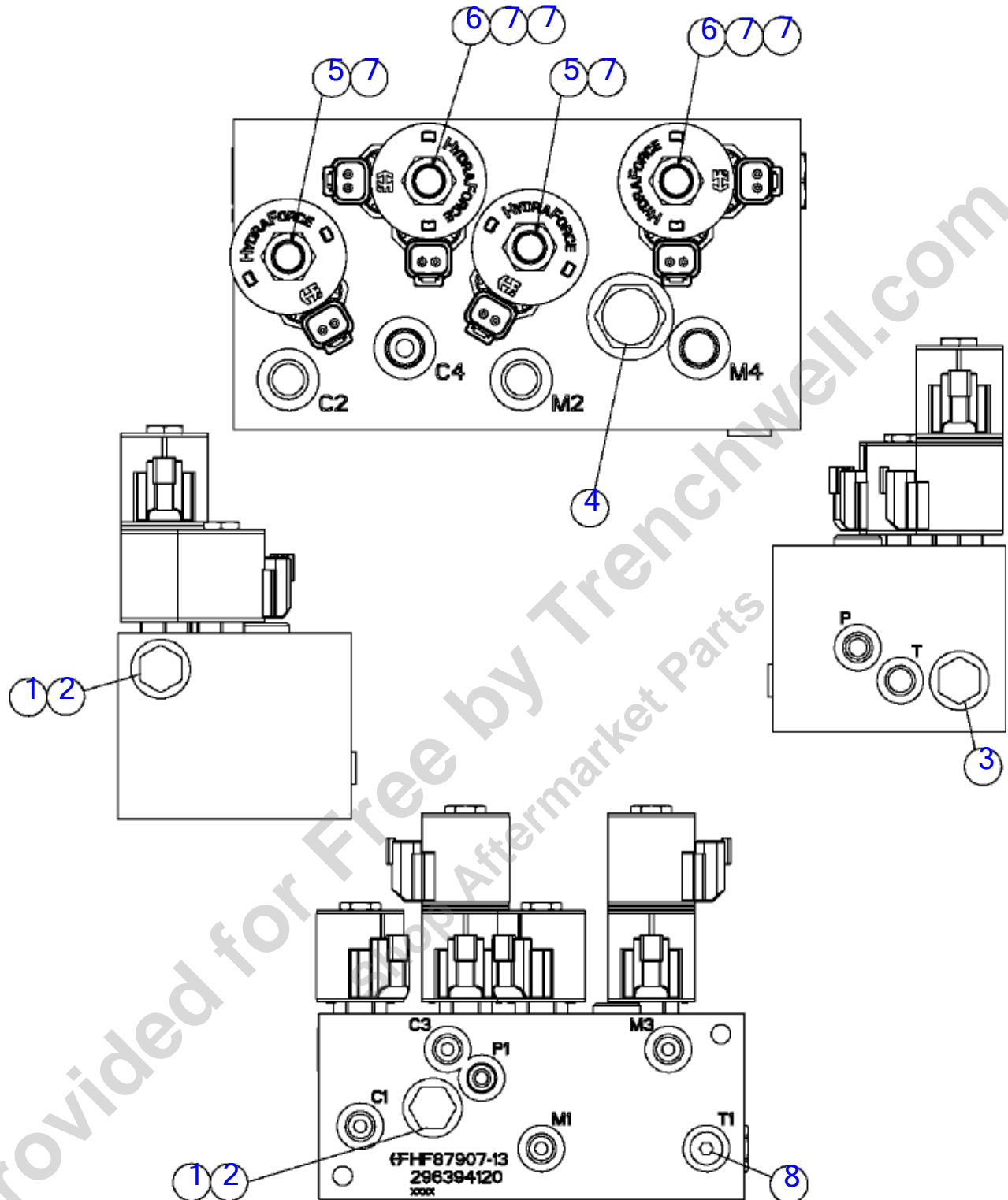


Illustration No. 296499032_BD-Not For Ordering

Breakdown-Stakedown Valve

Fig 10-01T01

REF NO.	PART NO.	DESCRIPTION	QTY.	REMARKS
1	296433513	CHECK VALVE	2	
1	296265595	SEAL KIT	3	SEAL KIT
2	246415003	PILOT PISTON	2	
3	296276878	CHECK VALVE	1	
4	296302294	REGULATOR - PRESSURE FLOW	1	
4	500659019	SEAL KIT-SOLENOID,SPOOL,2-WAY	1	SEAL KIT
5	251072003	SOLENOID VALVE	2	
5	251118005	SEAL KIT	2	SEAL KIT
6	296270186	MARK V CABLE REMOTE DISPLAY (AU)	2	
6	296265599	SEAL KIT	2	SEAL KIT
7	296271077	COILS 2	6	
8	500659021	PLUG - SAE 06	1	
	296499032	VALVE-STAKEDOWN	1	Incl. All Items Above

Provided for Free by Trenchwell.com
Shop Aftermarket Parts

Standard Stakedown

Fig 10-02

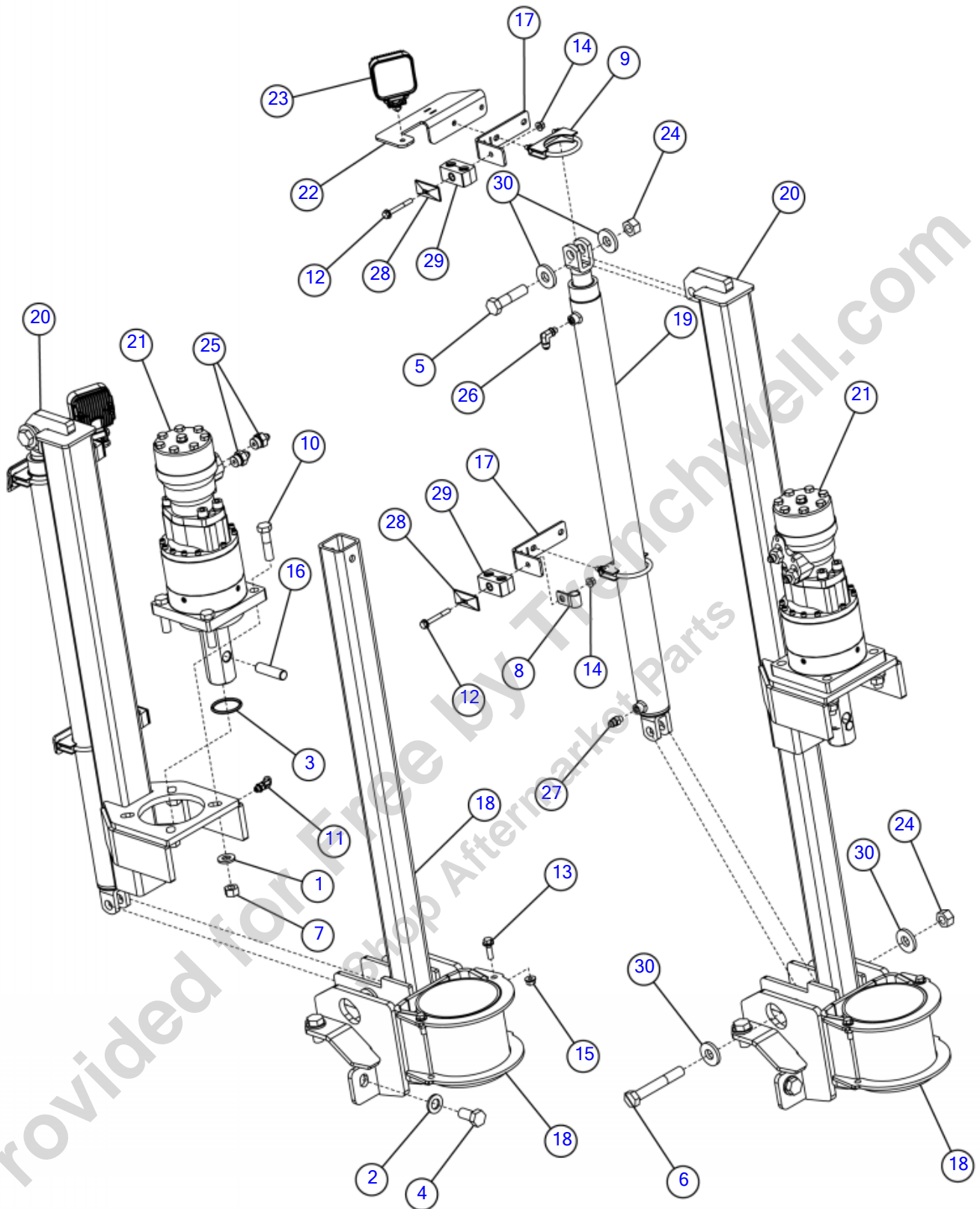


Illustration No. 296424611 - Not For Ordering

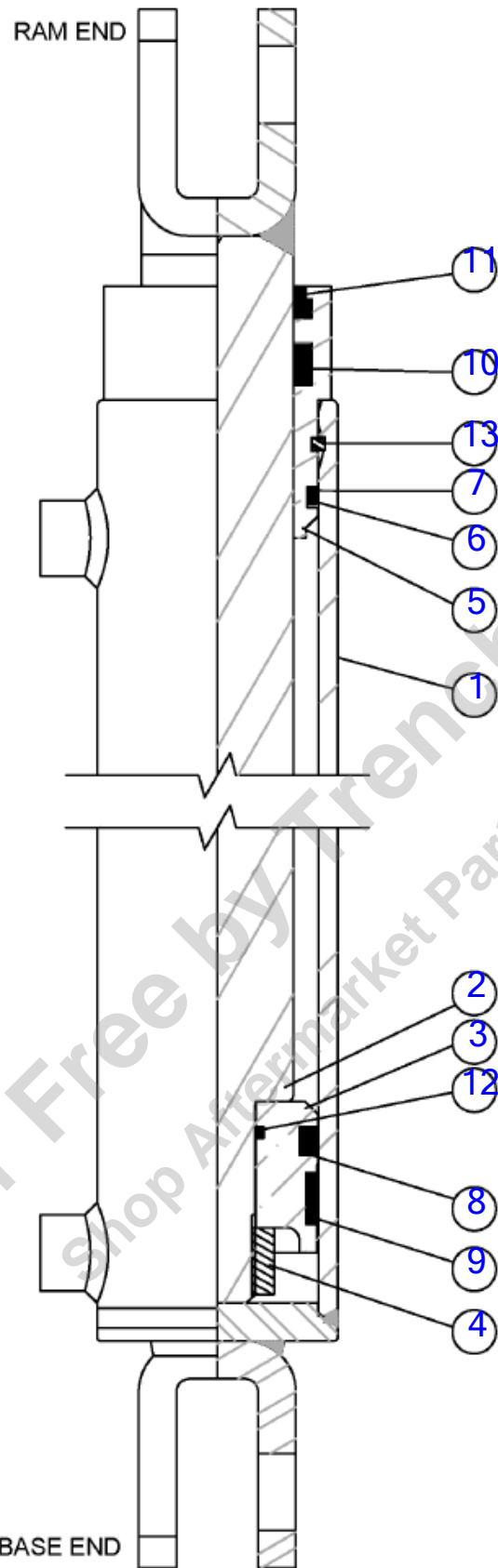
Standard Stakedown

Fig 10-02

REF NO.	PART NO.	DESCRIPTION	QTY.	REMARKS
1	235715001	WASHER-FLATSTRL-.63-.66 X 1.31-.15-YZ-A325	8	
2	235717001	WASHER - 3/4" HARDENED FLAT YZ	8	
3	236229001	O-RING - 329	2	
4	238217001	BOLT-3/4-10X1 1/2 GR8 HEX ZYC	8	
5	238242001	BOLT 3/4"-10 X 3" GR8 HEX Y/Z	2	
6	240340001	BOLT-3/4-10X5 GR8 ZYC	2	
7	250513001	NUT - 5/8NC Gr8 TOP LOCK Y/ZINC	8	
8	2595019	CLAMP-HOSE, 3/4in W/ 17/32 HOLE, VINYL	2	
9	2609007	MUFFLER CLAMP-2 1/2"	4	
10	280647001	BOLT-5/8-11 X 2-1/2 GR 8 Y/ZINC PLTD.	8	
11	296290306	FITTING - 45 - 6MJ - 6MORBA	1	
12	296300769	SCREW-HFS-.31-18X2.50-GR8-YZ	4	
13	296300773	SCREW-HFS-.38-16X1.25-GR8-YZ	4	
14	296300849	NUT-HEXFLGTL-.31-18-G-YZ	4	
15	296300850	NUT-HEXFLGTL-.38-16-G-YZ	4	
16	296358181	PIN - STAKE KEEPER	2	
17	296398715	PLATE - HOSE GUIDE	4	
18	296400139	WELDMENT - STAKEDOWN MOUNT	2	
19	296411759	CYLINDER- 2in ID X 1.5in ROD X 32in STROKE	2	Breakdown Fig. 10-2T01
20	296431216	WELDMENT - STAKEDOWN MOTOR MOUNT	2	
21	296438394	PLANETARY-MOTOR ASSEMBLY	2	Breakdown Fig. 10-2T02
22	296443929	PLATE - LEFT SIDE LIGHT MOUNT	2	
23	296447118	LIGHT-5X3 LED WORK 12V-24V-FLOOD	2	
24	397001	NUT-3/4-10 GR 8 SLTL	4	
25	57946001	FITTING-10MX#6JIC ST ADAPTER	4	
26	60906001	FITTING - 90 6MJ 4MORBA	2	
27	65569001	FITTING STR 6MJ - 4MORB	1	
28	72062005	PLATE-TOP CLAMP	4	
29	72062007	CLAMP - PAIR, 1/2 HYD HOSE	4	
30	91093001	WASHER-FLATHARD-.75-.81 X 1.88-.25-YZ	8	

Breakdown-Standard Stakedown Cylinder

Fig 10-02T01

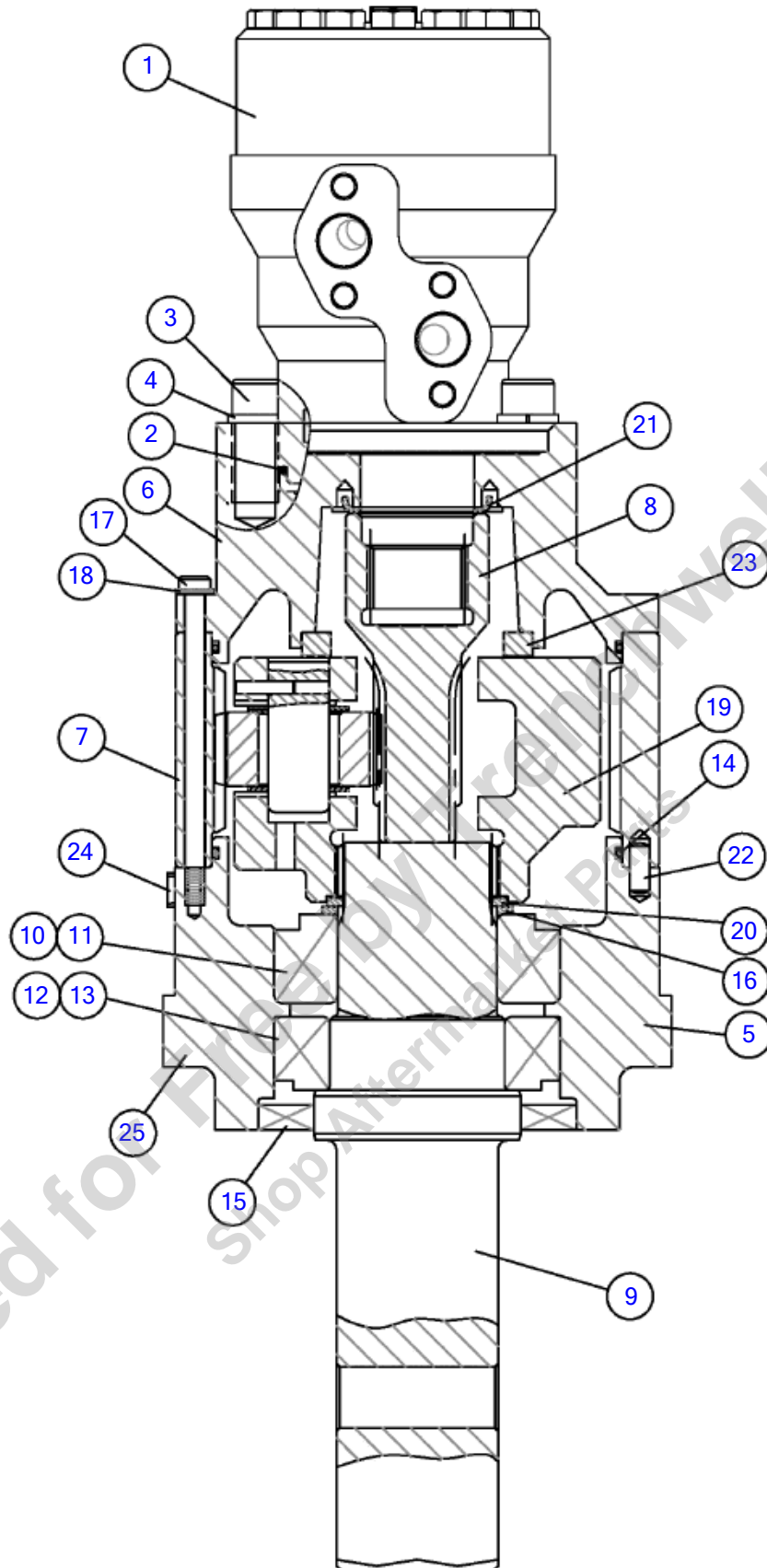


Breakdown-Standard Stakedown Cylinder
Fig 10-02T01

REF NO.	PART NO.	DESCRIPTION	QTY.	REMARKS
1		2" MD BARREL ASSEMBLY	1	Not Sold Separately
2	296433514	1 1/2" SHAFT ASSEMBLY	1	
3	296433515	2" PISTON 3/4" SHAFT (PSP/WRG)	1	
4	296271164	NUT	1	
5	296433516	2" MD HEAD 1 1/2" SHAFT (PPS)	1	
6		O-RING	1	Not Sold Separately
7		BACKUP SEAL	1	Not Sold Separately
8		PSP SEAL	1	Not Sold Separately
9		WEAR RING	1	Not Sold Separately
10		BDS SEAL	1	Not Sold Separately
11		DUST SEAL	1	Not Sold Separately
12		O-RING	1	Not Sold Separately
13	296271171	RETAINER RING	1	
	296386454	2" REPAIR KIT (1.5/.75)	1	Includes Items 6 thru 12
	296411759	CYLINDER- 2"ID X 1.5"ROD X 32" STROKE	1	Includes All Items Listed Above

Breakdown-Standard Stakedown Motor/Planetary

Fig 10-02T02



Breakdown-Standard Stakedown Motor/Planetary

Fig 10-02T02

REF NO.	PART NO.	DESCRIPTION	QTY.	REMARKS
1	296447405	MOTOR FB2004FSZB	1	
1	296447407	SEAL KIT	1	Seal Kit for Motor Only
2	180026744	O-RING (REF. # 152)	1	
3	296447404	SOCKET CAPSCREW, 1/2-13UNC	4	
4	296447403	WASHER 1/2"	4	
5	296447336	HOUSING - HA	1	
6	296447337	CAP - INPUT A4-14	1	
7	296447338	GEAR, RING 78T	1	
8	296447339	GEAR, SUN 15T	1	
9	296447340	SHAFT - H2	1	
10	296447341	BEARING CUP (REF# JM205110)	1	
11	296447342	BEARING CONE (REF# JM205149)	1	
12	296447343	BEARING CUP (REF3 JLM506810)	1	
13	296447344	BEARING CONE (REF# JLM506849)	1	
14	296447345	O-RING	2	
15	296447346	OIL SEAL (REF# 25440)	1	
16	296447347	SPACER	1	
17	296447348	SOCKET HEAD BOLT - M6	12	
18	296447349	LOCK WASHER - M6	12	
19	296447350	SECONDARY CARRIER SUB	1	
20	296447351	SNAP RING (REF# 1065R)	1	
21	296447352	RETAINING WASHER	1	
22	296447353	DOWEL PIN	2	
23	296447354	THRUST WASHER	1	
24	296447335	SOCKET HEAD PIPE PLUG	4	
	296447406	GEARBOX SS0206A414H2HA	1	Includes Items 5 thru 24
	296438394	PLANETARY-MOTOR ASSEMBLY	1	Includes All Items Listed Above

Standard Stakes

Fig 10-03

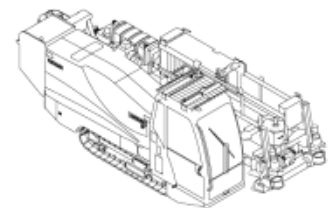
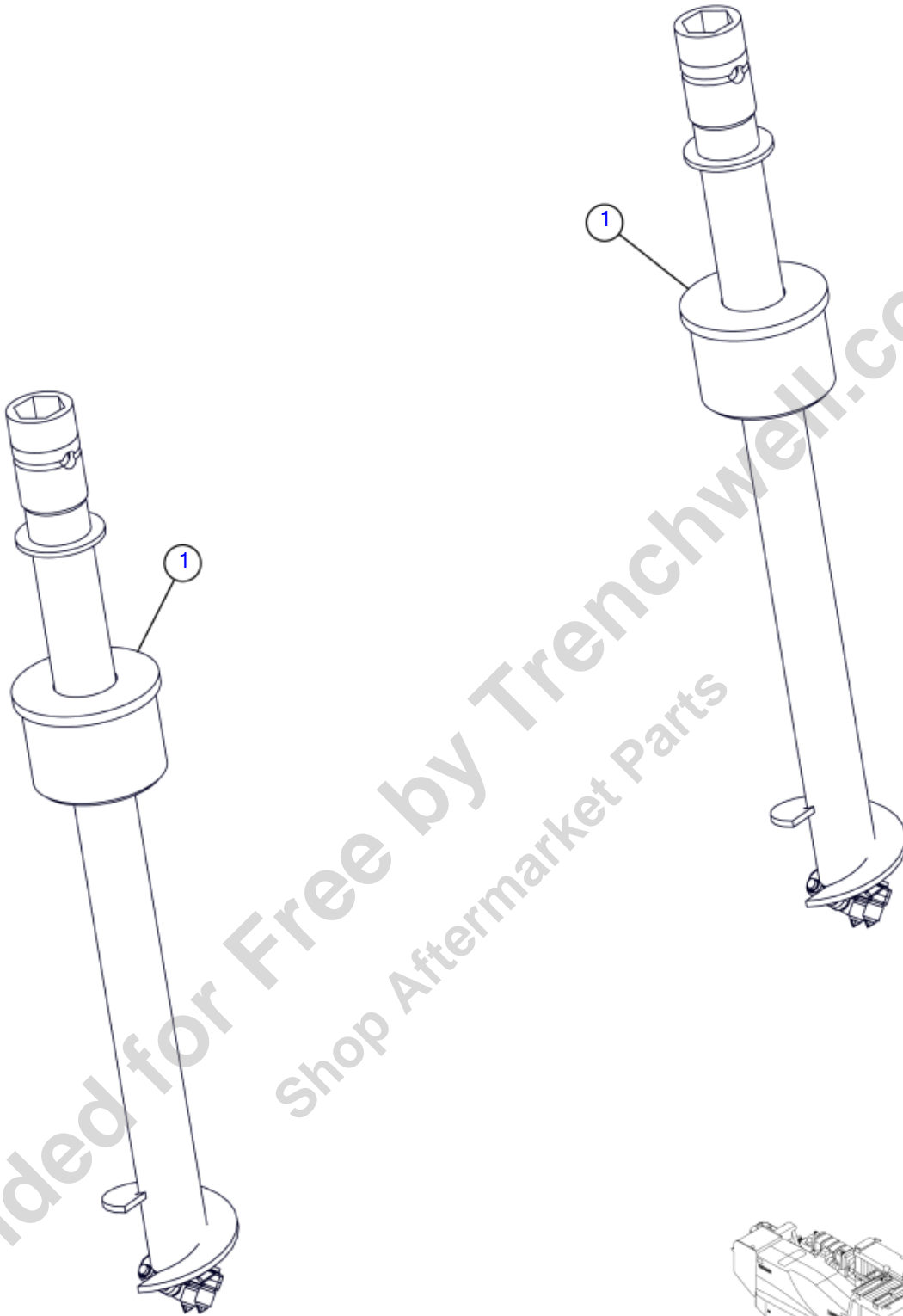


Illustration No. 296431232 - Not For Ordering

Standard Stakes

Fig 10-03

REF NO.	PART NO.	DESCRIPTION	QTY.	REMARKS
1	296407861	WELDMENT - STANDARD STAKE, 2-3/4"X32"	2	

Provided for Free by Trenchwell.com
Shop Aftermarket Parts

Standard Aggressive Stakes

Fig 10-04

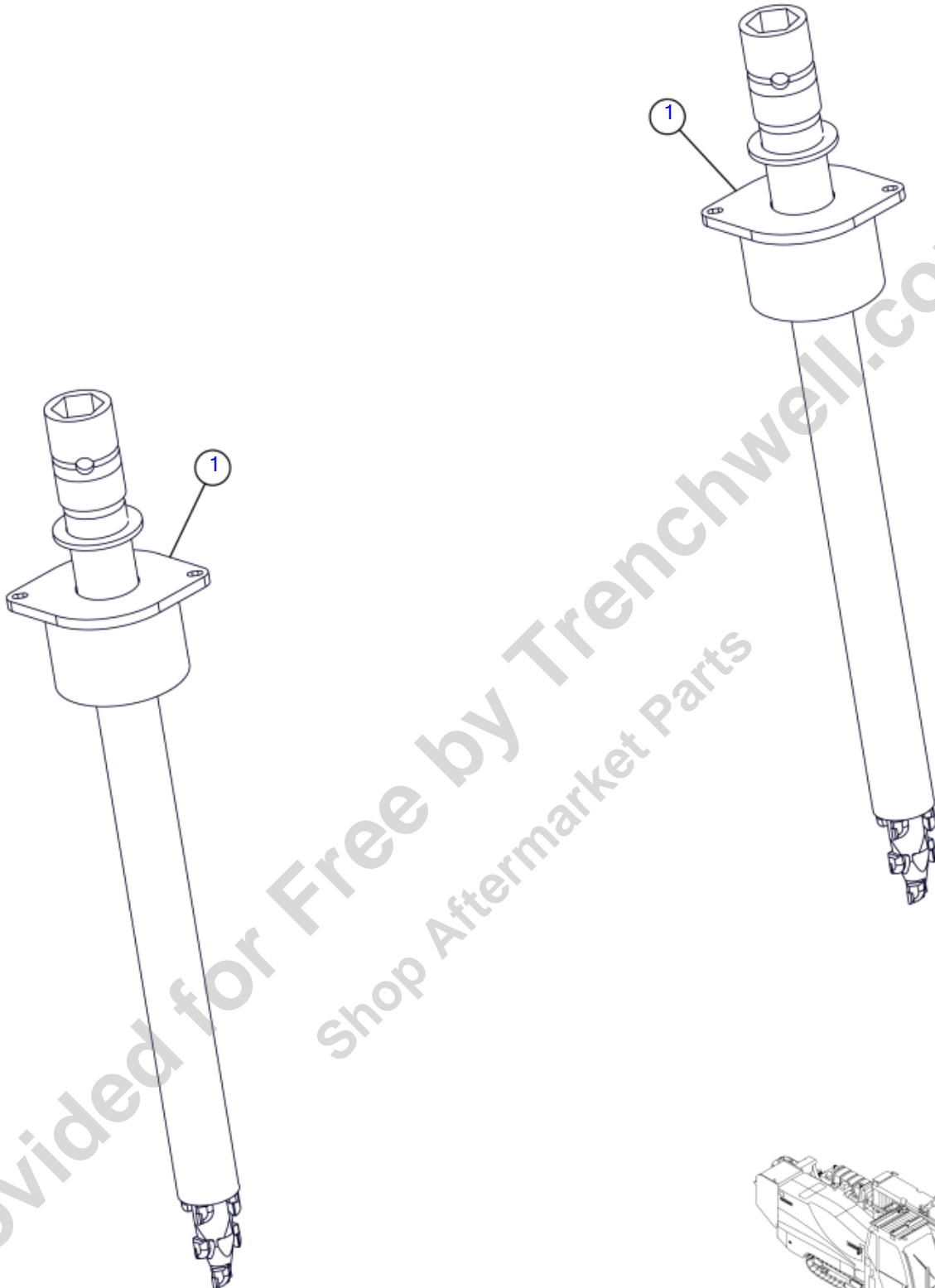


Illustration No. 296431218 - Not For Ordering

Standard Aggressive Stakes

Fig 10-04

REF NO.	PART NO.	DESCRIPTION	QTY.	REMARKS
1	296431219	WELDMENT - AGRESSIVE STAKEDOWN, 2-3/4"X32"	2	

Provided for Free by Trenchwell.com
Shop Aftermarket Parts

Large Aggressive Stakedown

Fig 10-05

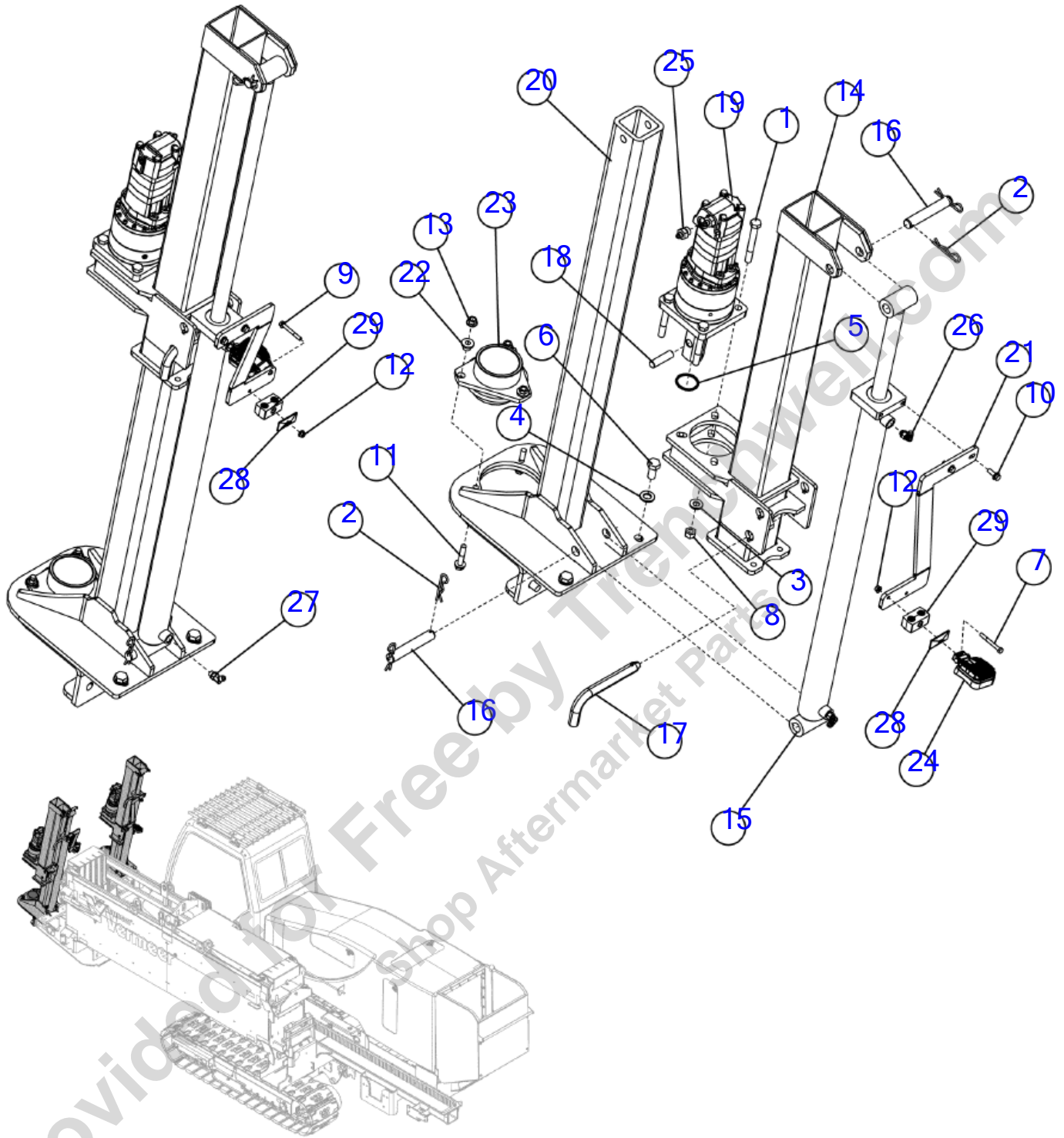


Illustration No-296424663 - Not For Ordering

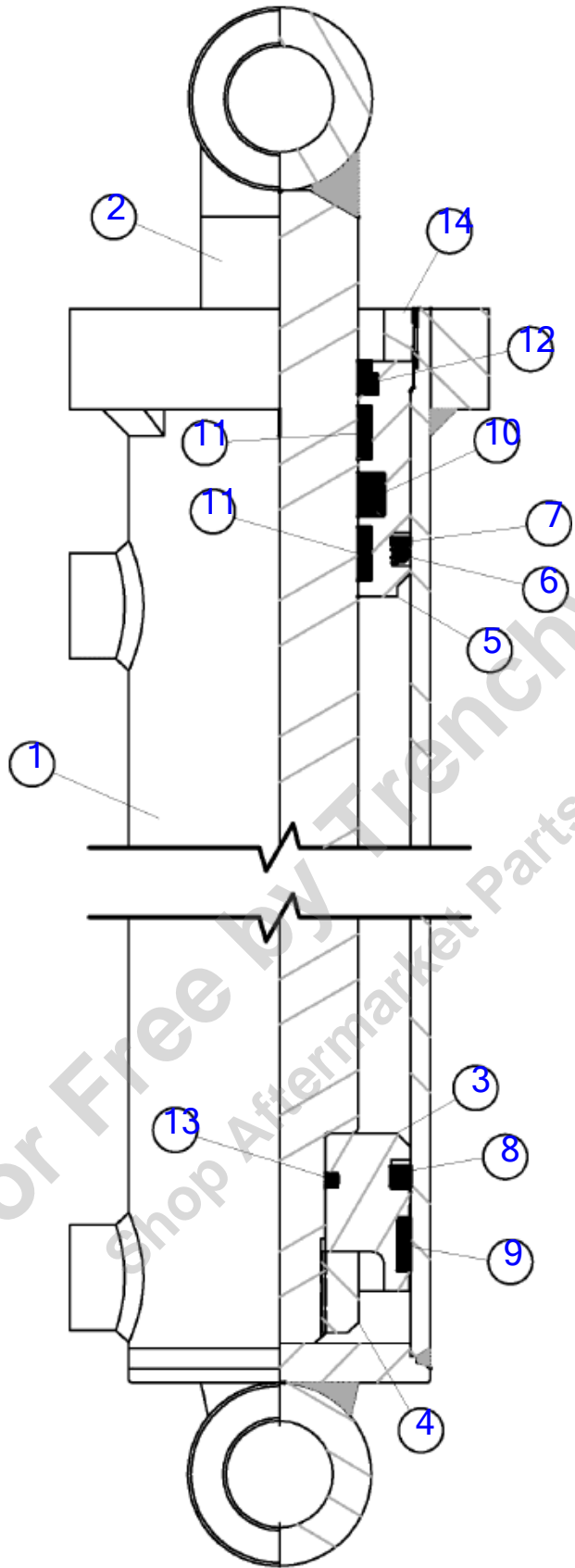
Large Aggressive Stakedown

Fig 10-05

REF NO.	PART NO.	DESCRIPTION	QTY.	REMARKS
1	160762001	BOLT- 5/8 - 11 X 5 HHCS GR.8 ZY	8	
2	20667001	PIN-HAIR-.18X3.78	8	
3	235715001	WASHER-FLATSTRL-.63-.66 X 1.31-.15-YZ-A325	8	
4	235717001	WASHER - 3/4" HARDENED FLAT YZ	8	
5	236229001	O-RING - 329	2	
6	238217001	BOLT-3/4-10X1 1/2 GR8 HEX ZYC	8	
7	250502001	BOLT 5/16-18 X 2 3/4"GR8 HEX Y	1	
8	250513001	NUT - 5/8NC Gr8 TOP LOCK Y/ZINC	8	
9	296300769	SCREW-HFS-.31-18X2.50-GR8-YZ	1	
10	296300772	SCREW HFS .38-16X1.00 GR8 YZ	4	
11	296300794	SCREW-HFS-.50-13X2.50-GR8-YZ	6	
12	296300849	NUT-HEXFLGTL-.31-18-G-YZ	2	
13	510352501	NUT-SMFLGCTRLOCK - .50-13-G-YZ	6	
13	(296300851)	NUT-HEXFLGTL-.50-13-G-YZ	6	
14	296358153	WELDMENT - STAKE UPPER SLIDE	2	
15	296358164	CYLINDER-HYD. 2.5X40	2	Breakdown Fig. 10-5T01
16	296358165	BAR - CYLINDER PIN	4	
17	296358177	PIN - SLIDE LOCK	2	
17	1788023	PIN-EXPANSION 1/4 X 1 1/4	2	
18	296358181	PIN - STAKE KEEPER	2	
19	296358192	PLANETARY / MOTOR	2	Breakdown Fig. 10-5T02
20	296389780	STAKE TOWER	2	
21	296389782	PLATE - LIGHT BAR	2	
22	296432596	TUBE - STAKE MOUNT	6	
23	296432597	GUIDE PLATE	2	
24	296447118	LIGHT-5X3 LED WORK 12V-24V-FLOOD	2	
25	57946001	FITTING-10MX#6JIC ST ADAPTER	4	
26	59426001	FITTING-90-6MJ-6MORB	3	
27	65563001	FITTING - 6M O-RING X 6M JIC 45 DEGREE	1	
28	72062005	PLATE-TOP CLAMP	2	
29	72062007	CLAMP - PAIR, 1/2 HYD HOSE	2	

Breakdown-Large Aggressive Stakedown Cylinder

Fig 10-05T01



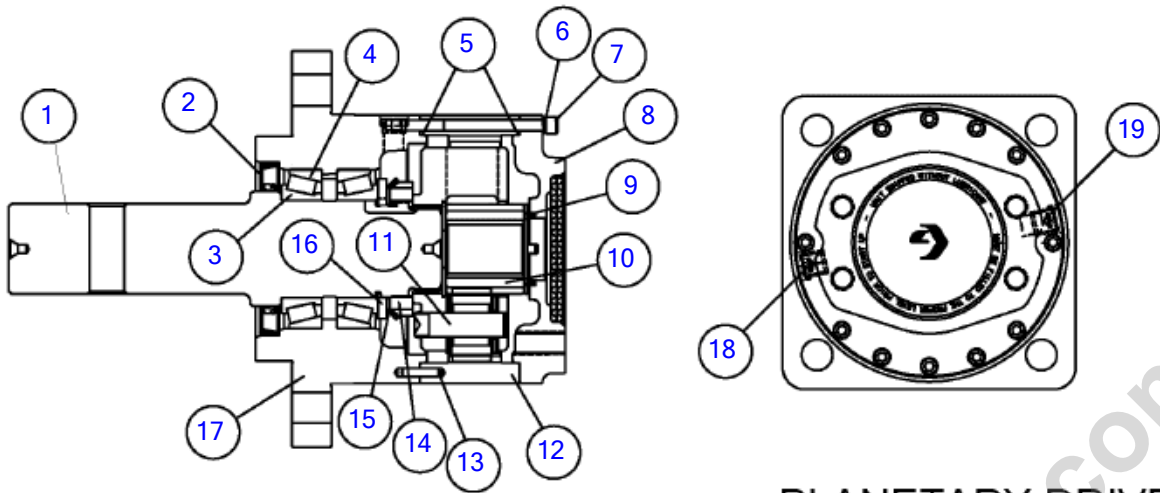
Breakdown-Large Aggressive Stakedown Cylinder

Fig 10-05T01

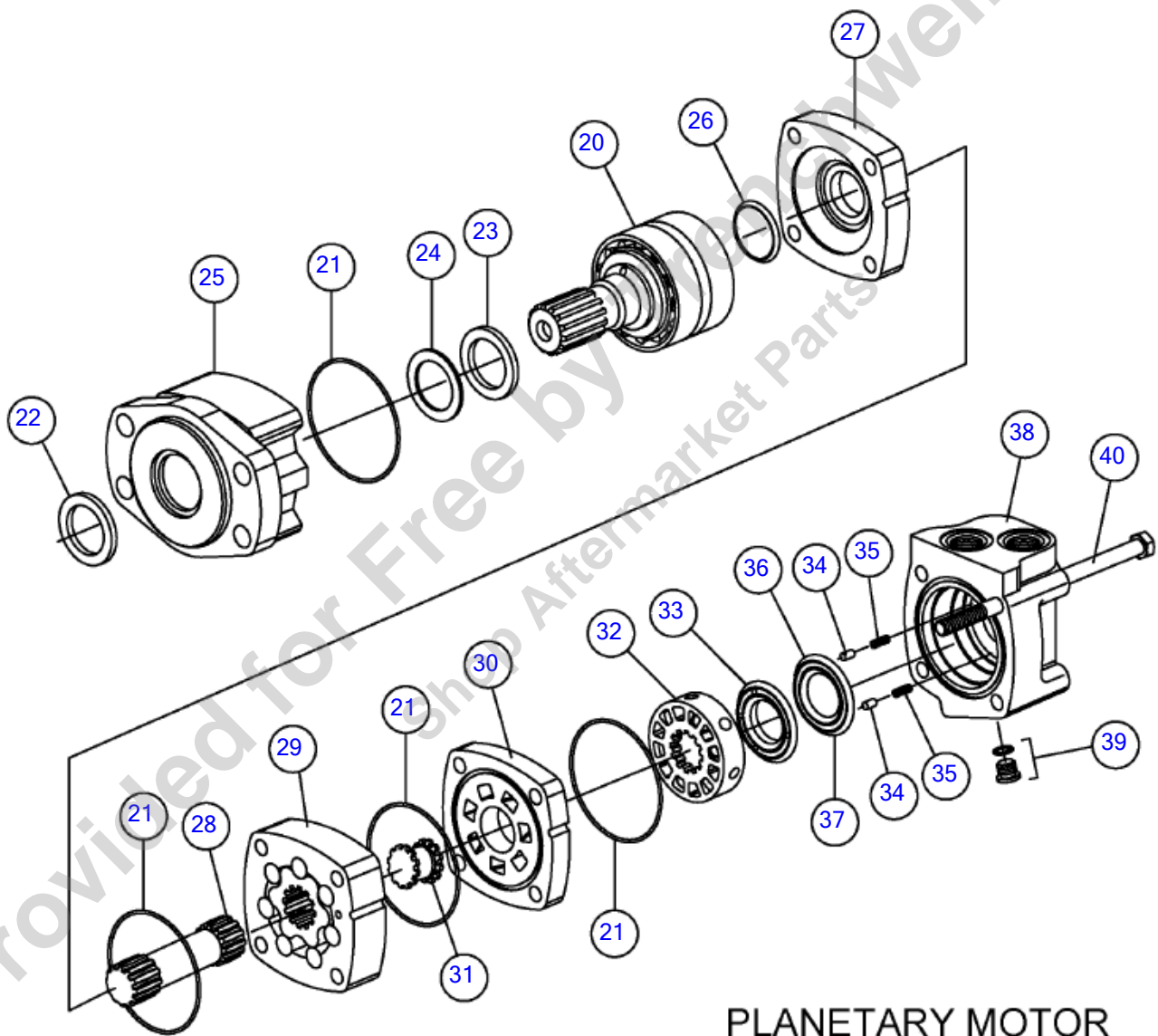
REF NO.	PART NO.	DESCRIPTION	QTY.	REMARKS
1		2 1/2" HDI BARREL ASSY	1	Not Sold Separately
2	296380145	1 1/2" SHAFT ASSY	1	
3		2 1/2" PISTON 7/8" SHAFT (PSP/WRG)	1	Not Sold Separately
4		7/8" FULL LOCK NUT	1	Not Sold Separately
5		2 1/2" HDI HEAD 1 1/2" SHAFT (PSP/WRG)	1	Not Sold Separately
6		O-RING	1	Not Sold Separately
7		BACKUP	1	Included in Seal Kit - Not Sold Separately
8		PSP SEAL	1	Included in Seal Kit - Not Sold Separately
9		WEAR RING	1	Included in Seal Kit - Not Sold Separately
10		PPS SEAL	1	Included in Seal Kit - Not Sold Separately
11		WEAR RING-HT	2	Included in Seal Kit - Not Sold Separately
12		DUST SEAL	1	Included in Seal Kit - Not Sold Separately
13		O-RING	1	Included in Seal Kit - Not Sold Separately
14		2 1/2" INTERNAL COLLAR	1	Not Sold Separately
	296380146	2 1/2" REPAIR KIT	1	Includes Items 6 thru 13
	296358164	CYLINDER-HYD. 2.5X40	1	Includes All Items Listed Above

Breakdown-Large Aggressive Stakedown Motor/Planetary

Fig 10-05T02



PLANETARY DRIVE



PLANETARY MOTOR

Breakdown-Large Aggressive Stakedown Motor/Planetary
Fig 10-05T02

REF NO.	PART NO.	DESCRIPTION	QTY.	REMARKS
1	296380147	SHAFT-OUTPUT	1	
2	296380148	SEAL OIL	1	
3	296380149	BEARING CONE	2	
4	296380150	BEARING CUP	2	
5	244405039	COMPOUND - SEALING	2	
6	296360738	LOCK WASHER	12	
7	223860017	CAP SCREW	12	
8	296380151	COVER	1	
9	131488021	THRUST WASHER	1	
10	296380152	GEAR-SUN	1	
11	296380153	ASSY-SEC CARRIER	1	
12	296380154	GEAR-RING	1	
13	296380155	BEARING-NEEDLE ROLLER	2	
14	296380156	NUT LOCK	1	
15	296380157	WASHER LOCK	1	
16	296380158	WASHER-THRUST	1	
17	296380159	HUB	1	
18	163622975	PLUG - PIPE	1	
19	163622970	PLUG - PIPE	1	
20	206469001	SHAFT & BEARING KIT/1 1/4 SPLINED	1	
21	770007	SEAL - O RING 9022 - 6	4	Included in Seal Kit
22	770071	SEAL DUST	1	Included in Seal Kit
23	61062001	SHAFT SEAL	1	Included in Seal Kit
24	260576013	WASHER BACKUP	1	Included in Seal Kit
25	246413003	HOUSING - 4 BOLT MAGNET	1	
26	770017	SEAL-SHAFT FACE 9050	1	Included in Seal Kit
27	770079	PLATE-WEAR # 21623	1	
28	161024001	DRIVE-MAIN	1	
29	70020005	GEROLER ASSY- # 21625-7	1	
30	510503701	PLATE, VALVE - #22134-000	1	
31	774011	DRIVE-VALVE 8433	1	
32	770087	VALVE	1	
33	770089	PLATE-BALANCE #8915	1	
34	770037	PIN-14351	2	
35	243316025	SPRING	2	
36	770057	SEAL-FACE INNER	1	Included in Seal Kit
37	770091	SEAL-FACE OUTER	1	Included in Seal Kit
38	770093	HOUSING - SAE 10 PORTS - 21564 - 1	1	
39	180005760	PLUG - SUB ASSY	1	Included in Seal Kit
40	774017	BOLT-14384-012	4	
	770097	REPAIR KIT- #61258	1	Includes Items 20, 21, 22, 23, 26, 36, 37 & 39
	296358190	MOTOR- 18.6 CID 1-1/4 14T	1	Includes Items 20 thru 40
	296358137	PLANETARY-DRIVE 3.6:1	1	Includes Items 1 thru 19
	296358192	PLANETARY / MOTOR	1	Includes All Items Listed Above (1 thru 40)

Large Aggressive Stakes

Fig 10-06

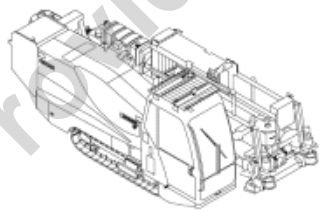
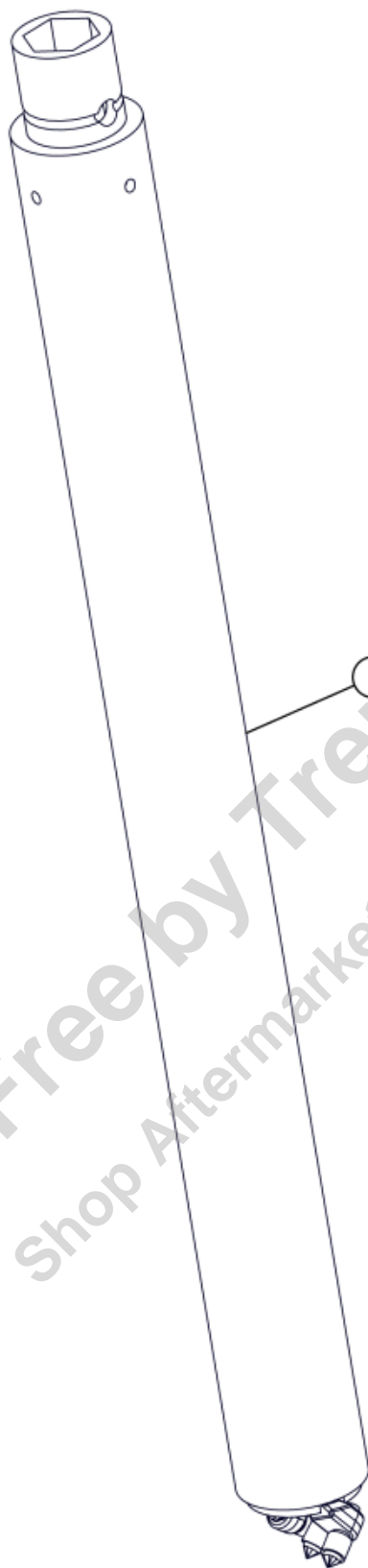


Illustration No. 296462780 - Not For Ordering

Large Aggressive Stakes

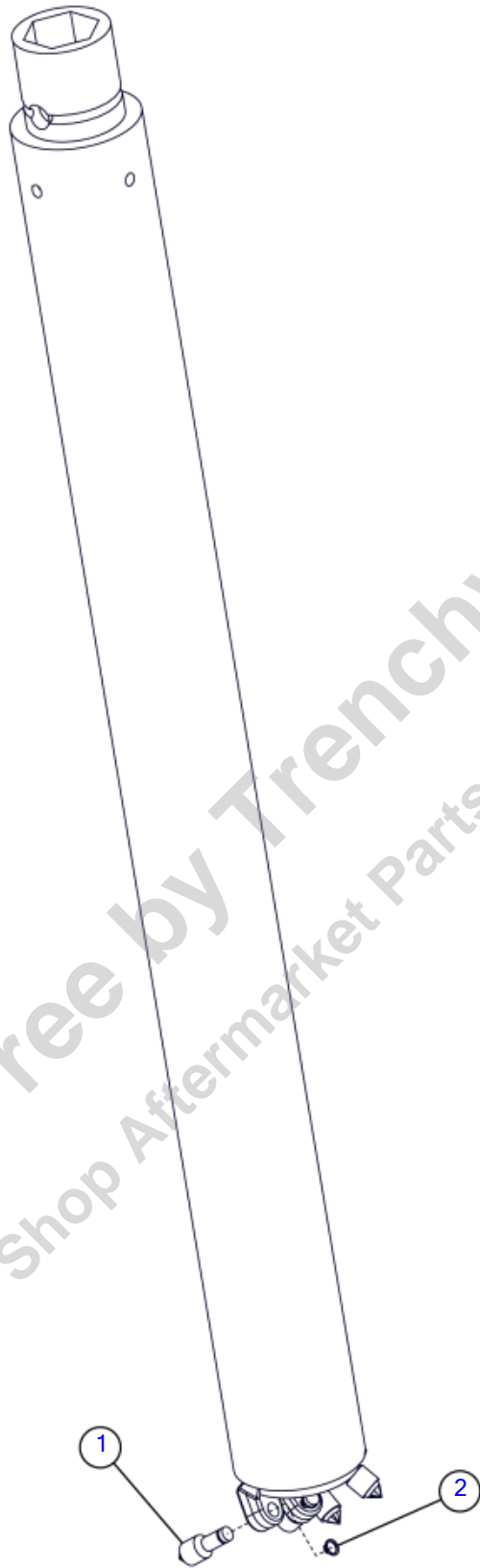
Fig 10-06

REF NO.	PART NO.	DESCRIPTION	QTY.	REMARKS
1	296462778	WELDMENT - AGGRESSIVE STAKE - 4" X 40"	1	Breakdown Fig. 10-6T01

Provided for Free by Trenchwell.com
Shop Aftermarket Parts

Breakdown-Large Aggressive Stakes

Fig 10-06T01



Provided for Free by Trenchwell.com
Shop Aftermarket Parts

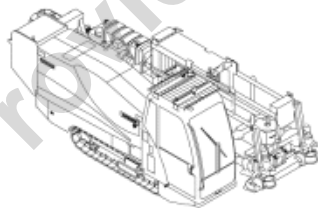


Illustration No. 296462778 - Not For Ordering

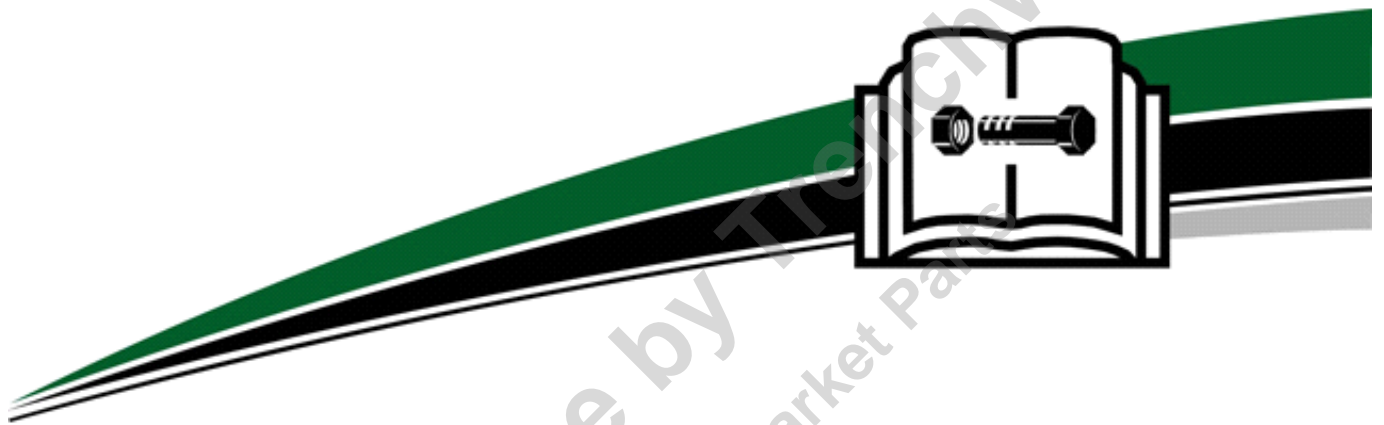
Breakdown-Large Aggressive Stakes

Fig 10-06T01

REF NO.	PART NO.	DESCRIPTION	QTY.	REMARKS
1	204936001	ROTARY BIT-CMM-4	4	
2	296264836	CMM4 SNAP RING	4	
2	(204937001)	SNAP RING-CMM-4	4	
	296462778	WELDMENT - AGGRESSIVE STAKE - 4" X 40"	1	Includes All Items In Figure

Provided for Free by Trenchwell.com
Shop Aftermarket Parts

Rod Loader



Provided for Free by Trenchwell.com
Shop Aftermarket Parts

Rod Loader

Rod Selector Arms (SN 101-382)	Fig	11-01
Rod Selector Arms (SN 383-)	Fig	11-01R01
Extend/Retract Arms	Fig	11-02
Rod Loader Motor	Fig	11-03
Breakdown-Rod Loader Motor	Fig	11-03T01
Rod Lift Cylinder	Fig	11-04
Breakdown-Rod Lift Cylinder	Fig	11-04T01
Rod Loader Valve	Fig	11-05
Breakdown-Rod Loader Valve	Fig	11-05T01
Rod Loader Encoder	Fig	11-06
Rod Loader Safety Arms	Fig	11-07
Rod Box - Short	Fig	11-08
Rod Box - Tall	Fig	11-09

Provided for Free by Trenchwell.com
Shop Aftermarket Parts

Rod Selector Arms (SN 101-382)

Fig 11-01

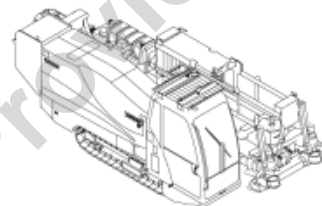
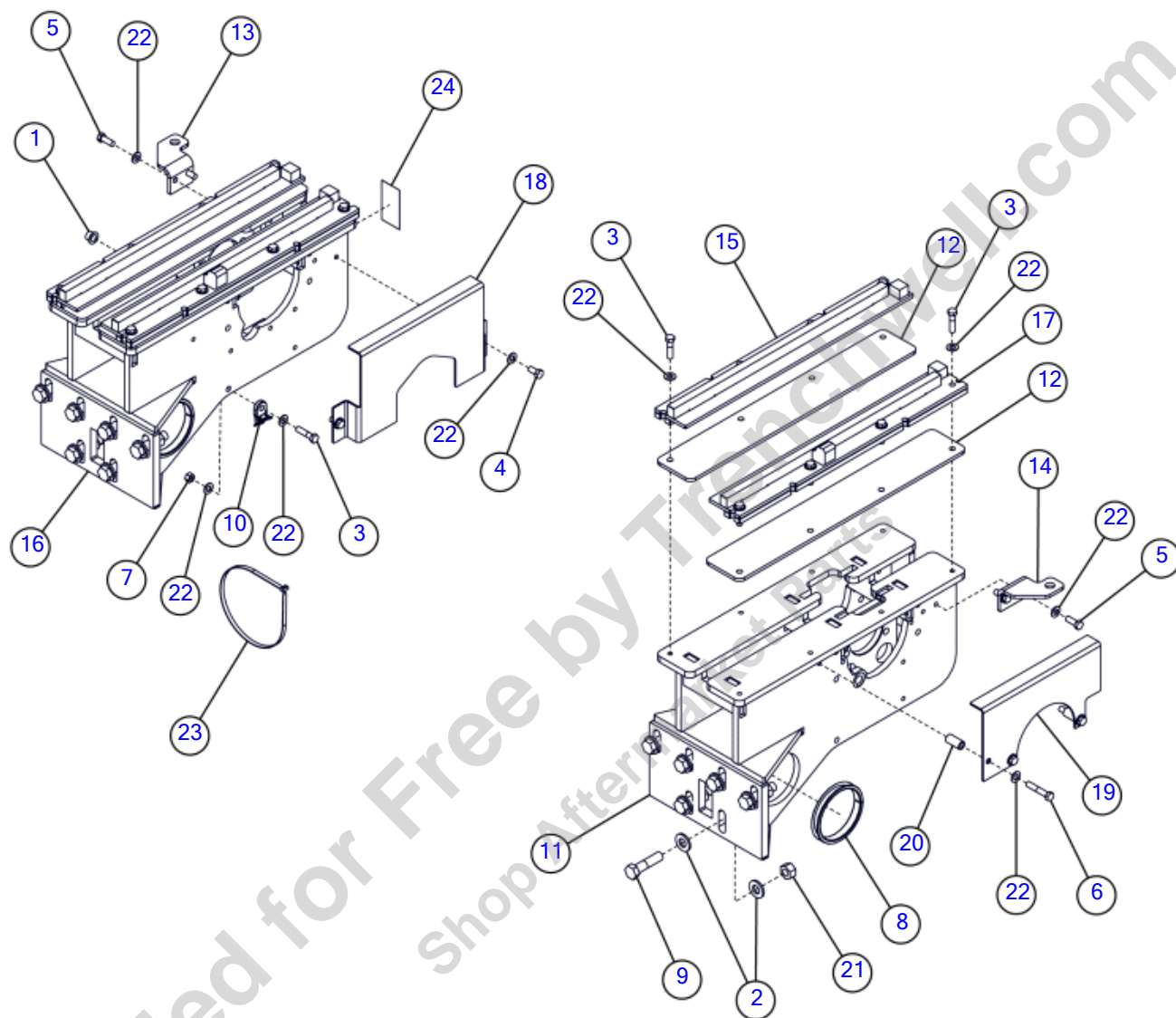


Illustration No. 296422891 - Not For Ordering

Rod Selector Arms (SN 101-382)

Fig 11-01

REF NO.	PART NO.	DESCRIPTION	QTY.	REMARKS
1	230999001	BRZ BUSHING-.627 X .502 - .50	1	
2	235715001	WASHER-FLATSTRL-.63-.66 X 1.31-.15-YZ-A325	24	
3	235723001	SCREW - HCS -.38 - 16 X 1.50 - GR8 - YZ	17	
4	235726001	BOLT-3/8-16X3/4 GR8 HEX ZNCPLT	2	
5	235727001	SCREW-HCS-.38-16X1.00-GR8-YZ	4	
6	240454001	BOLT-3/8-16X2 GR8 ZP	3	
7	250508001	NUT - 3/8-NC Gr8 TOP LOCK Y/ZINC	1	
8	278774001	W/STRIP-SEAL - EDGE 1/2" STYLE	4	
9	280647001	BOLT-5/8-11 X 2-1/2 GR 8 Y/ZINC PLTD.	12	
10	296276018	MOUNT HELLER MANN TITON	1	
11	296422878	WELDMENT - ROD LOADER FRONT	1	
12	296422892	STRIP-PLASTIC WEAR	4	
13	296422893	PLATE - ARM MOUNTING	1	
14	296422894	PLATE - ARM MOUNTING	1	
15	296422905	WELDMENT - ROD LOADER GUIDE	2	
16	296432049	WELDMENT - ROD LOADER REAR SERIES III 10'	1	
17	296432235	WELDMENT - ROD LOADER GUIDE	2	
18	296432245	PLATE - EUROCOVER FIXED REAR	1	
19	296453866	PLATE - EUROCOVER FIXED FRONT	1	
20	296453867	TUBE - STAND OFF	3	
21	430001	NUT-5/8 NC SLTL GRADE B ZINC	12	
22	510337635	WASHER-FLATSAE-.38-.41X.81-16G-YZ	27	
23	58151001	STRAP-CABLE TIE-T120R-0 15"	1	
24	7000A864	DECAL-WARNING DOMESTIC	2	Domestic
24	700IA864	DECAL - WARNING INTERNATIONAL	2	International

Rod Selector Arms (SN 383-)

Fig 11-01R01

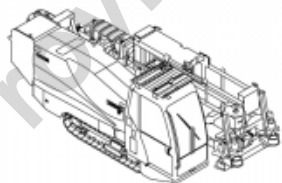
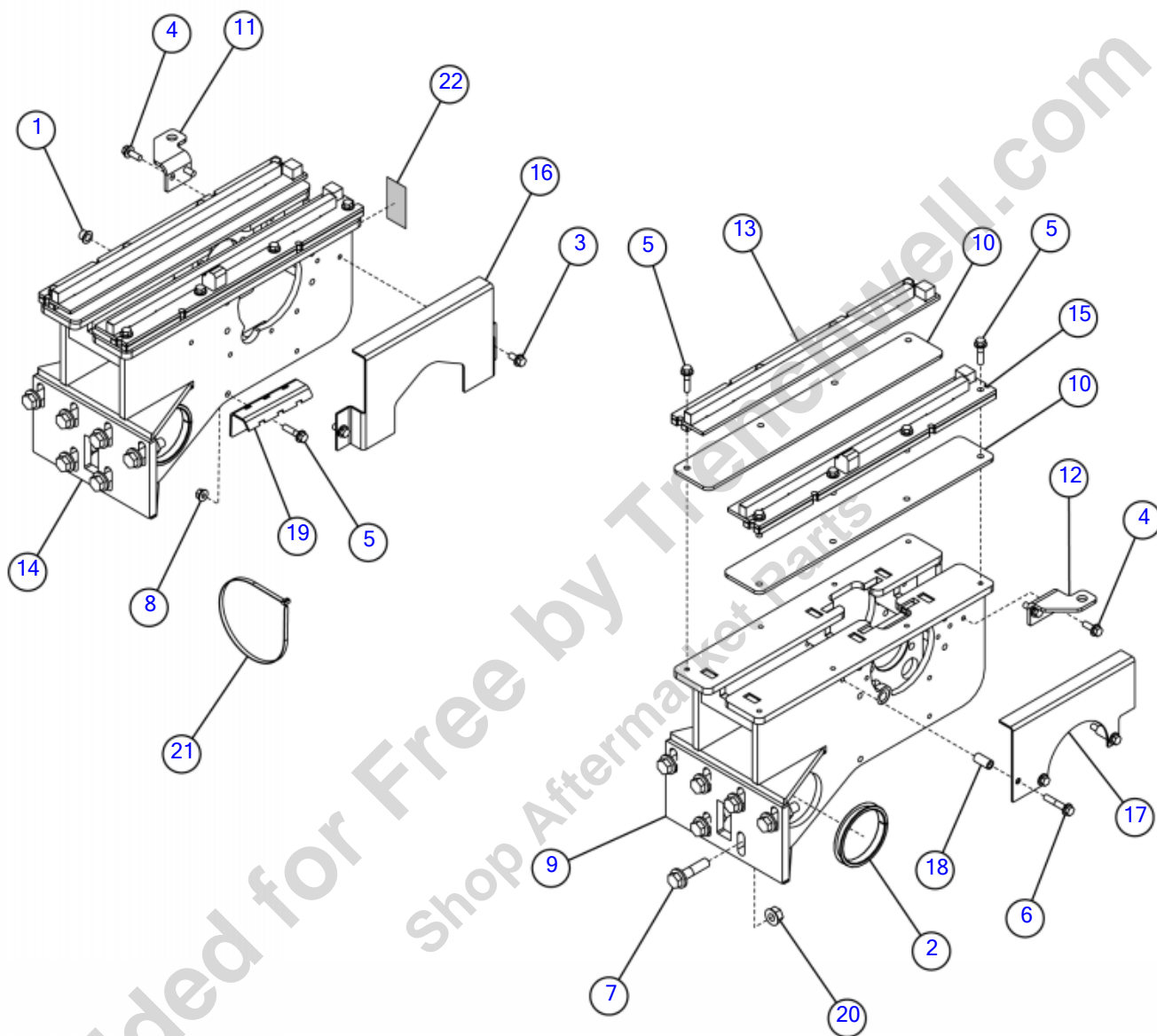


Illustration No. 296422891 - Not For Ordering

Rod Selector Arms (SN 383-)

Fig 11-01R01

REF NO.	PART NO.	DESCRIPTION	QTY.	REMARKS
1	230999001	BRZ BUSHING-.627 X .502 - .50	1	
2	278774001	W/STRIP-SEAL - EDGE 1/2" STYLE	4	
3	296300771	SCREW-HFS-.38-16X.75GR8-YZ	2	
4	296300772	SCREW HFS .38-16X1.00 GR8 YZ	4	
5	296300774	SCREW HFS .38 - 16 X 1.50 GR8 YZ	17	
6	296300776	SCREW HFS .38 16 X 2.00 GR8 YZ	3	
7	296300804	SCREW-HFS-.63-11X2.50-GR8-YZ	12	
8	296300850	NUT-HEXFLGTL-.38-16-G-YZ	1	
9	296422878	WELDMENT - ROD LOADER FRONT	1	
10	296422892	STRIP-PLASTIC WEAR	4	
11	296422893	PLATE - ARM MOUNTING	1	
12	296422894	PLATE - ARM MOUNTING	1	
13	296422905	WELDMENT - ROD LOADER GUIDE	2	
14	296432049	WELDMENT - ROD LOADER REAR SERIES III 10'	1	
15	296432235	WELDMENT - ROD LOADER GUIDE	2	
16	296432245	PLATE - EUROCOVER FIXED REAR	1	
17	296453866	PLATE - EUROCOVER FIXED FRONT	1	
18	296453867	TUBE - STAND OFF	3	
19	296462965	LOADER ENCODER GUARD	1	(SN 383-)
		SN:000383--		
20	510352513	NUT SMFLGTL .63-11 G YZ	12	
21	58151001	STRAP-CABLE TIE-T120R-0 15"	1	
22	7000A864	DECAL-WARNING DOMESTIC	2	Domestic
22	700IA864	DECAL - WARNING INTERNATIONAL	2	International

Extend/Retract Arms

Fig 11-02

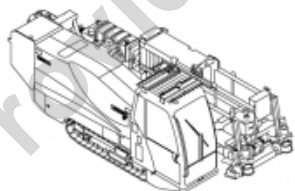
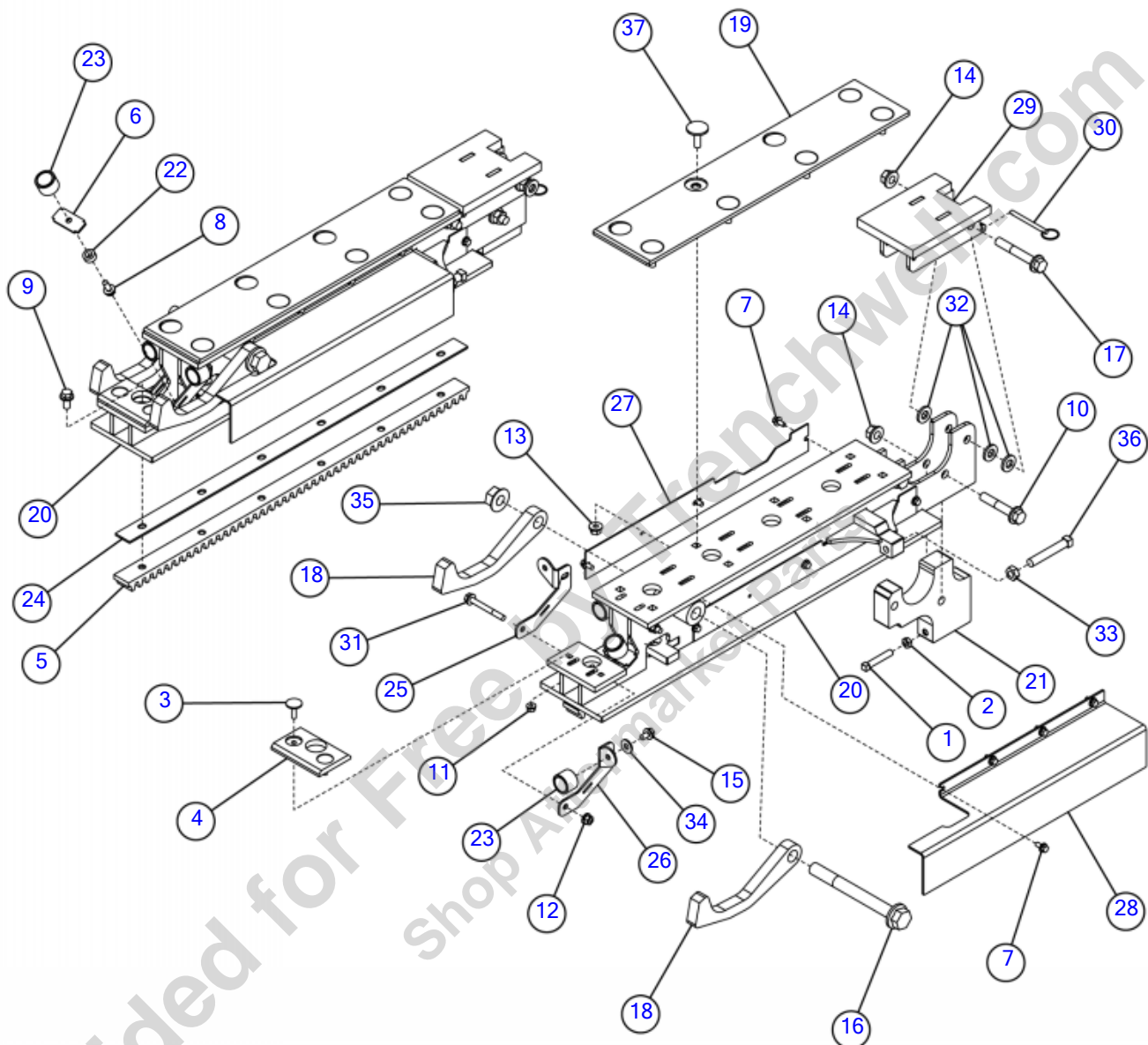


Illustration No. 296422909 - Not For Ordering

Extend/Retract Arms

Fig 11-02

REF NO.	PART NO.	DESCRIPTION	QTY.	REMARKS
1	249877001	SQ HSS - 3/8-16 X 2	2	
2	250576001	NUT-3/8 NC HEX JAM	2	
3	276477001	BOLT - 1/4-20 X 1 ELEVATOR ZN PLT	4	
4	277154001	BAR - WEAR	2	
5	296269730	GEAR - ROD LOADER SLIDER	2	
6	296277003	PLATE - MAGNET MOUNT SPACER	2	
7	296300751	SCREW HFS .25-20X.50 GR8	20	
8	296300762	SCREW HFS .31 - 18 X .75 GR8	2	
9	296300771	SCREW-HFS-.38-16X.75GR8	12	
10	296300795	SCREW HFS .50 13X2.75 GR8 YZ	4	
11	296300848	NUT-HEXFLGTL-.25-20	4	
12	296300849	NUT-HEXFLGTL-.31-18-G	4	
13	296300850	NUT-HEXFLGTL-.38-16-G	16	
14	296300851	NUT-HEXFLGTL-.50-13-G	6	
15	296300859	SCREW HFS .31 - 18 X .50 GR8	4	
16	296300876	SCREW - HFS .75 10X7.00 GR8 YZ	2	
17	296300913	SCREW-HFS-.50-13X3.25-GR8-YZ	2	
18	296310795	PLATE - ROD LOADER	4	
19	296389928	PLATE SLIDE WEAR	2	
20	296422907	WELDMENT - ROD LOADER D24X40III D36X50III	2	
21	296422912	BLOCK - ROD LOADER STOP	2	
22	296432062	TUBE - MAGNET SPACER	2	
23	296432067	ASSEMBLY - ROD LOADER MAGNET	6	
24	296432175	PLATE - GEAR RACK SHIM	2	
25	296432200	PLATE - LOADER MAGNET BRACKET	2	
26	296432201	PLATE - LOADER MAGNET BRACKET	2	
27	296432232	PLATE - EURO COVER LOADER CARRIAGE	4	
28	296432236	PLATE EUROCOVER LOADER CARRIAGE	2	
29	296443971	ROD -DOOR	2	
30	296454835	PIN - .250" X 2.5" 316SS	2	
31	296477504	SCREW-HFS-.31-18X2.75-GR8-YZ	4	
32	485025	WASHER-1/2 FLAT-HARDENED	6	
33	510317311	NUT-HEXJAM-.50-13-GR2	2	
34	510337605	WASHER-FLATSTD-.31-.38X.88-.08	4	
35	510352511	NUT-SMFLGTL-.75-10-G	2	
36	510365813	SCREW-SQSET-.50-13X3.00-GR5-YZ	2	
37	601699012	3/8-16X1 1/4 ELEVATOR BOLT ZNC	16	

Rod Loader Motor
Fig 11-03

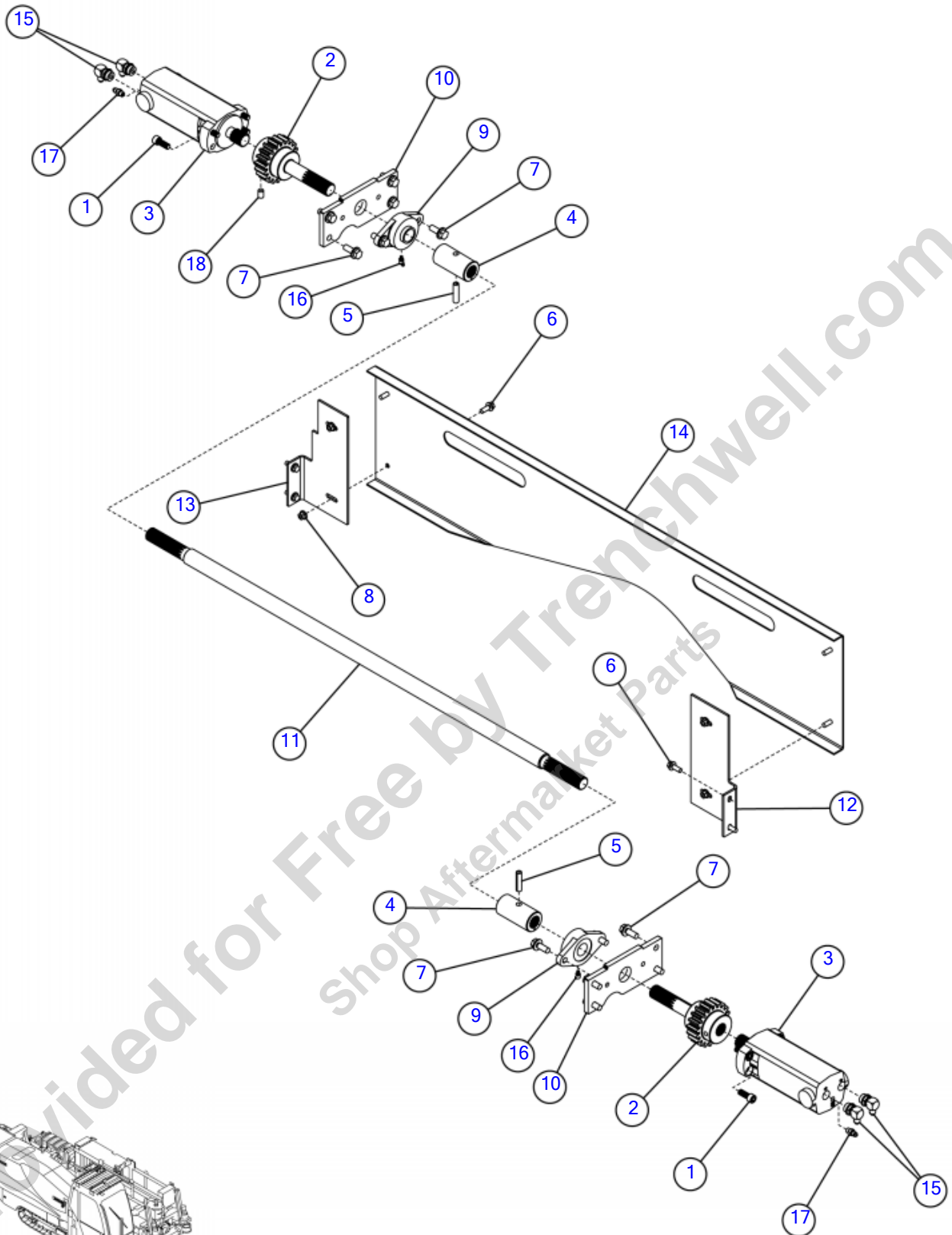


Illustration No. 296432048 - Not For Ordering

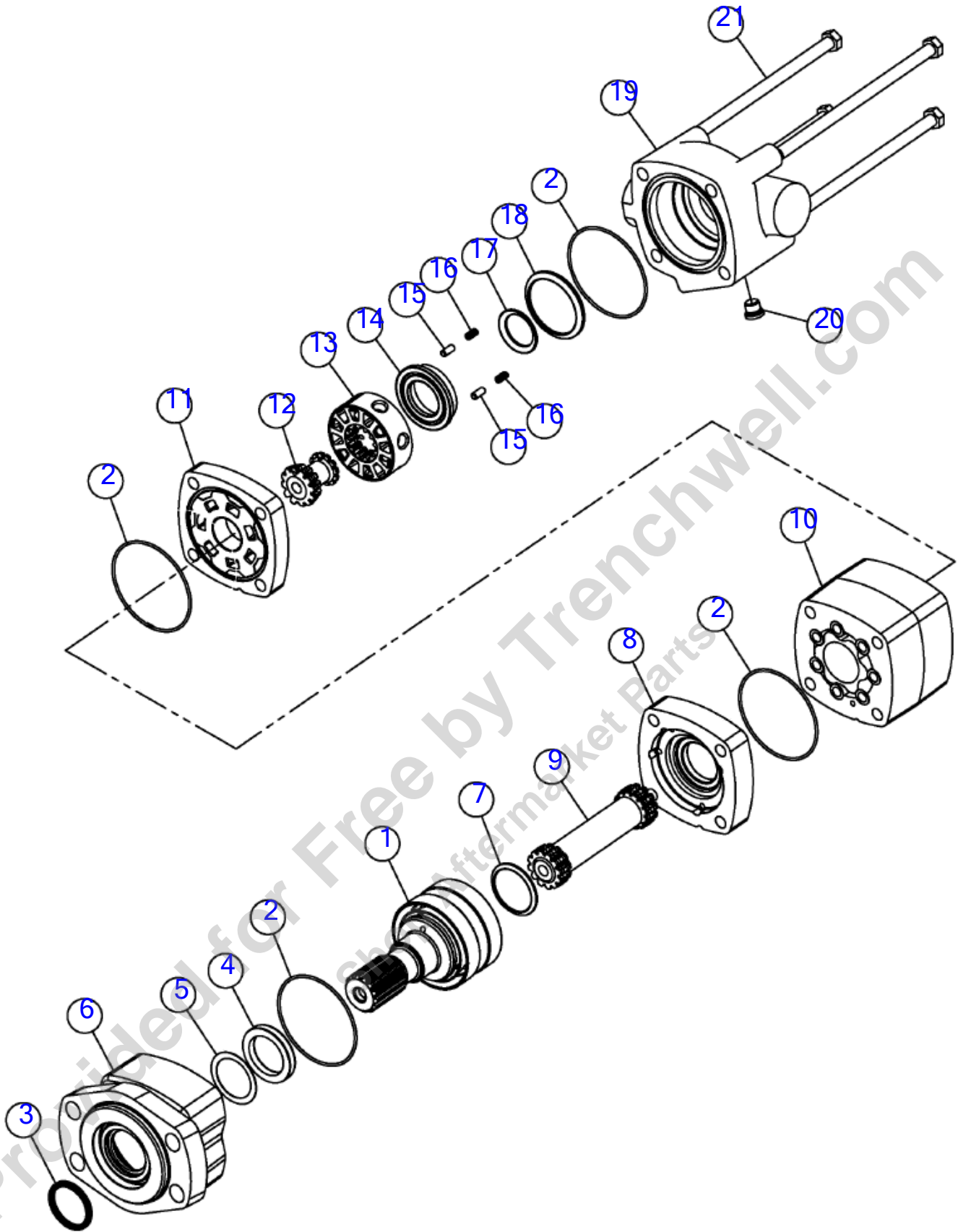
Rod Loader Motor

Fig 11-03

REF NO.	PART NO.	DESCRIPTION	QTY.	REMARKS
1	159887001	SCREW-1/2X13X1 1/4 SHC ZNC PLT	8	
2	296269732	GEAR - FRONT ROD LOADER SPLINED	2	
3	296287807	MOTOR-HYD 4K COMPACT 19.8 CI 14T	2	Breakdown Fig. 11-3T01
4	296287853	HUB 1.25 14T SPLINE	2	
5	296287915	1/2 X 2" ROLL PIN	2	
6	296300772	SCREW HFS .38-16X1.00 GR8 YZ	8	
7	296300789	SCREW-HFS-.50-13X1.25-GR8-YZ	12	
8	296300850	NUT-HEXFLGTL-.38-16-G-YZ	4	
9	296385089	BEARING- 2 BOLT FLANGE, STEEL	2	
10	296432045	PLATE - BEARING MOUNTING	2	
11	296432047	WELDMENT - SYNCRO TUBE SERIES III 10'	1	
12	296432239	PLATE - CENTER COVER MOUNTING FRONT	1	
13	296432240	PLATE - CENTER COVER MOUNT REAR	1	
14	296432241	PLATE - TORQUETUBE COVER	1	
15	59401001	FITTING-6M JICX10M ADJ. 90 DEG.ELBOW	4	
16	596001	ZERK-1/4" NF 45 DEG GREASE	2	
17	60908001	FITTING-4MX4M JIC STR ADAPTER	2	
18	68837003	SCREW-1/2-13X3/4 SOCKET SET	2	
19	296300789	SCREW-HFS-.50-13X1.25-GR8-YZ	1	

Breakdown-Rod Loader Motor

Fig 11-03T01



Breakdown-Rod Loader Motor

Fig 11-03T01

REF NO.	PART NO.	DESCRIPTION	QTY.	REMARKS
1	180005753	SHAFT-SUB ASSY	1	
2	770007	SEAL - O RING 9022 - 6	4	
3	770071	SEAL DUST	1	
4	296285188	SHAFT SEAL	1	
5	260576013	WASHER BACKUP	1	
6	296285189	HOUSING BEARING	1	
7	296271183	SEAL - SHAFT FACE	1	
8	180005755	PLATE WEAR	1	
9	180005756	DRIVE	1	
10	296285190	GEROLER SUB ASSY	1	
11	180005757	PLATE - VALVE	1	
12	180005758	DRIVE - VALVE	1	
13	243316017	VALVE	1	
14	770089	PLATE-BALANCE #8915	1	
15	770037	PIN-14351	2	
16	770039	SPRING-7383	2	
17	770057	SEAL-FACE INNER	1	
18	770091	SEAL-FACE OUTER	1	
19	770093	HOUSING - SAE 10 PORTS - 21564 - 1	1	
20	180005760	PLUG - SUB ASSY	1	
21	180005761	SCREW-CAP	4	
	296285239	SEAL KIT	1	
	296287807	MOTOR-HYD 4K COMPACT 19.8 CI 14T	1	Includes All Items Listed Above

Rod Lift Cylinder

Fig 11-04

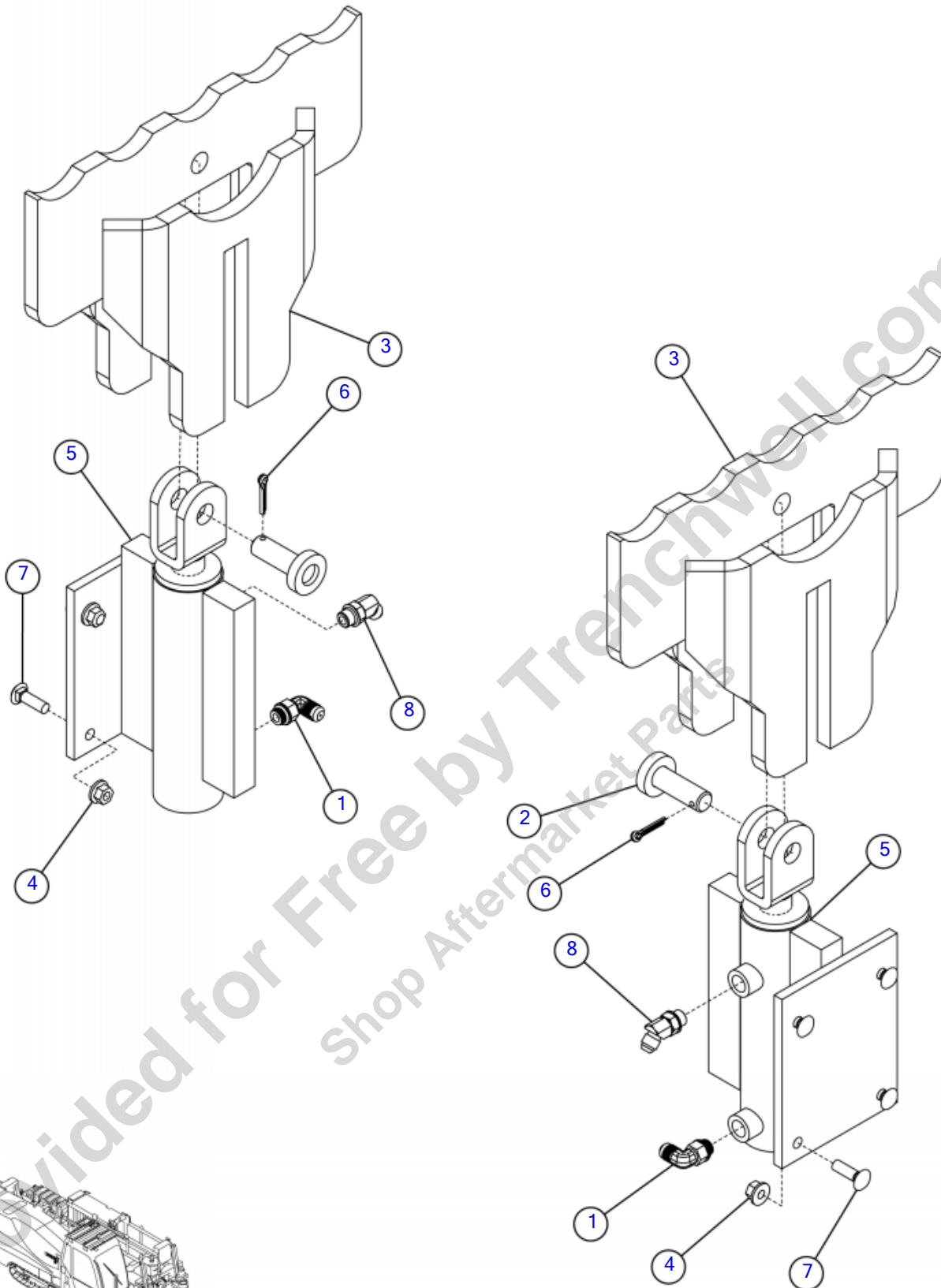


Illustration No. 296443847 - Not For Ordering

Rod Lift Cylinder

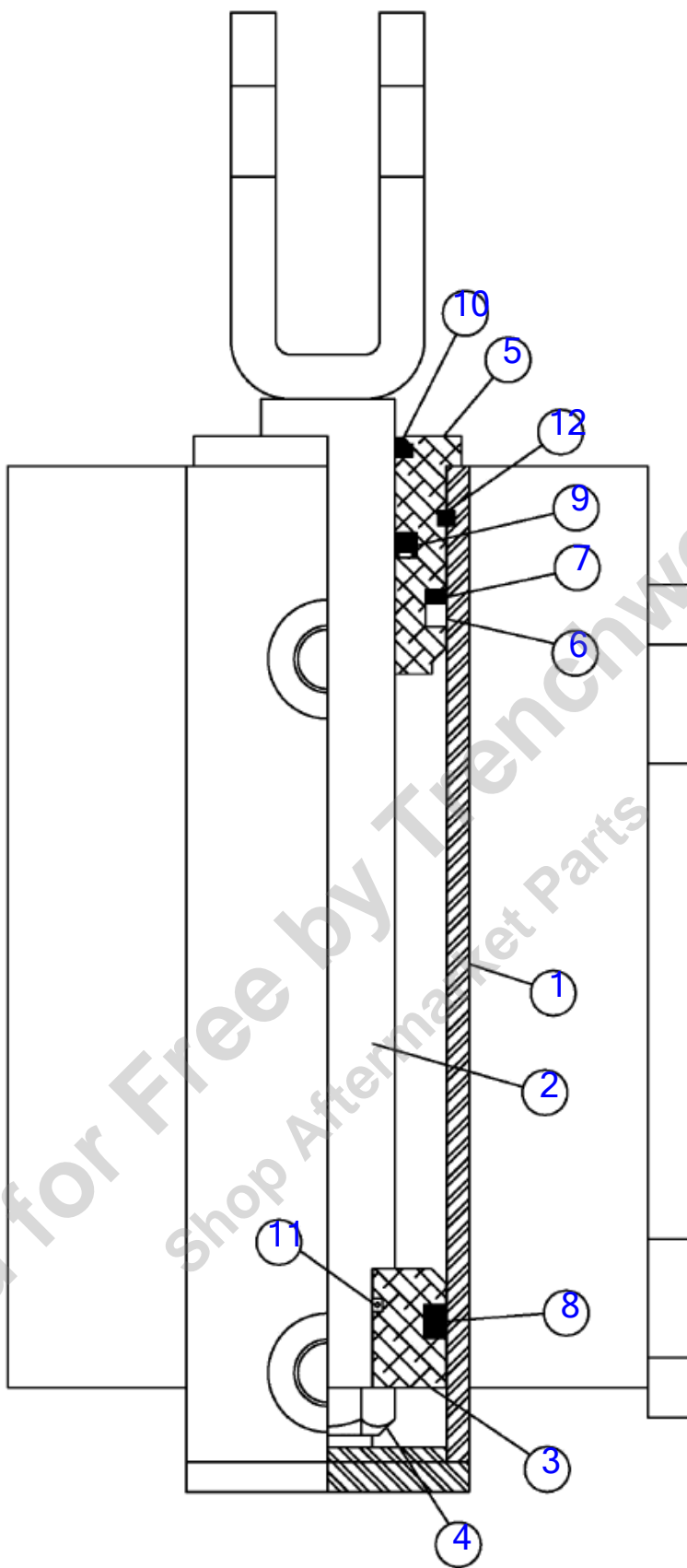
Fig 11-04

REF NO.	PART NO.	DESCRIPTION	QTY.	REMARKS
1	122606001	FITTING-6MX6M JIC90 DEG/ RSTS	2	
2	222815001	PIN-STEER CYLINDER	2	
3	296280022	WELDMENT - ROD LIFT	2	
4	296300850	NUT-HEXFLGTL-.38-16-G-YZ	8	
5	296358102	CYLINDER 2 X 5 1/2	2	Breakdown Fig. 11-4T01
6	510047	PIN - 3/16 X 1 1/4 COTTER	2	
7	510308112	BOLT CARG .38 16X1.25 GR5 YZ	8	
8	65563001	FITTING - 6M O-RING X 6M JIC 45 DEGREE	2	

Provided for Free by Trenchwell.com
Shop Aftermarket Parts

Breakdown-Rod Lift Cylinder

Fig 11-04T01



Breakdown-Rod Lift Cylinder

Fig 11-04T01

REF NO.	PART NO.	DESCRIPTION	QTY.	REMARKS
1		2" BARREL ASSY	1	Not Sold Separately
2	296368877	1 1/8" SHAFT ASSY	1	
3		2" PISTON 3/4" SHAFT (PSP)	1	Not Sold Separately
4		3/4" FULL LOCK NUT	1	Not Sold Separately
5		2" MD HEAD 1 1/8" SHAFT (BSS)	1	Not Sold Separately
6		O-RING	1	Not Sold Separately
7		BACKUP	1	Not Sold Separately
8		PSP SEAL	1	Not Sold Separately
9		BS SEAL	1	Not Sold Separately
10		DUST SEAL	1	Not Sold Separately
11		O-RING	1	Not Sold Separately
12		RETAINING RING	1	Not Sold Separately
	296368878	2in REPAIR KIT (1.125/.75)	A/R	Includes Items 6-11
	296358102	CYLINDER 2 X 5 1/2	A/R	includes All Items In Figure

Provided for Free by Trenchwell.com
Shop Aftermarket Parts

Rod Loader Valve

Fig 11-05

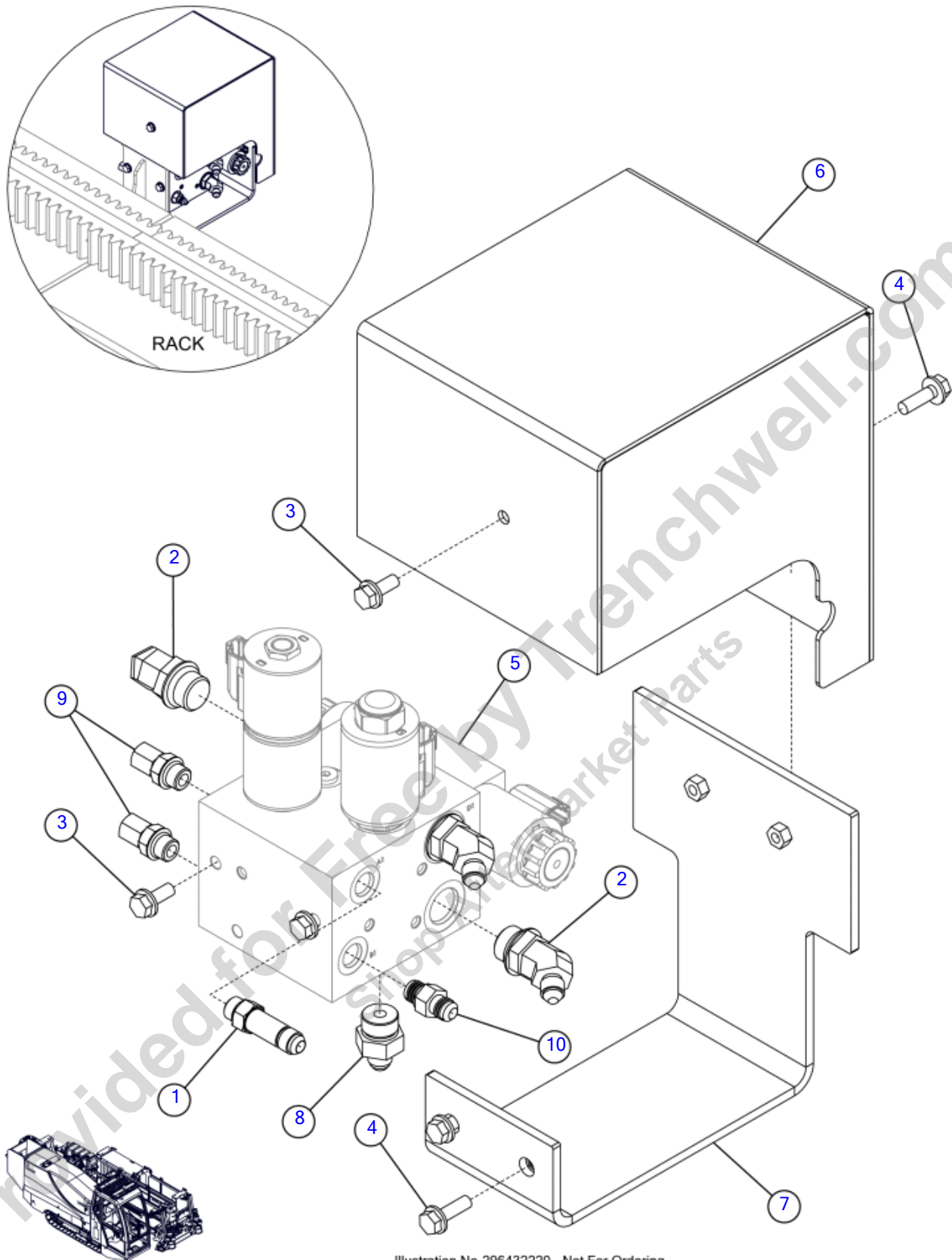


Illustration No-296432220 - Not For Ordering

Rod Loader Valve

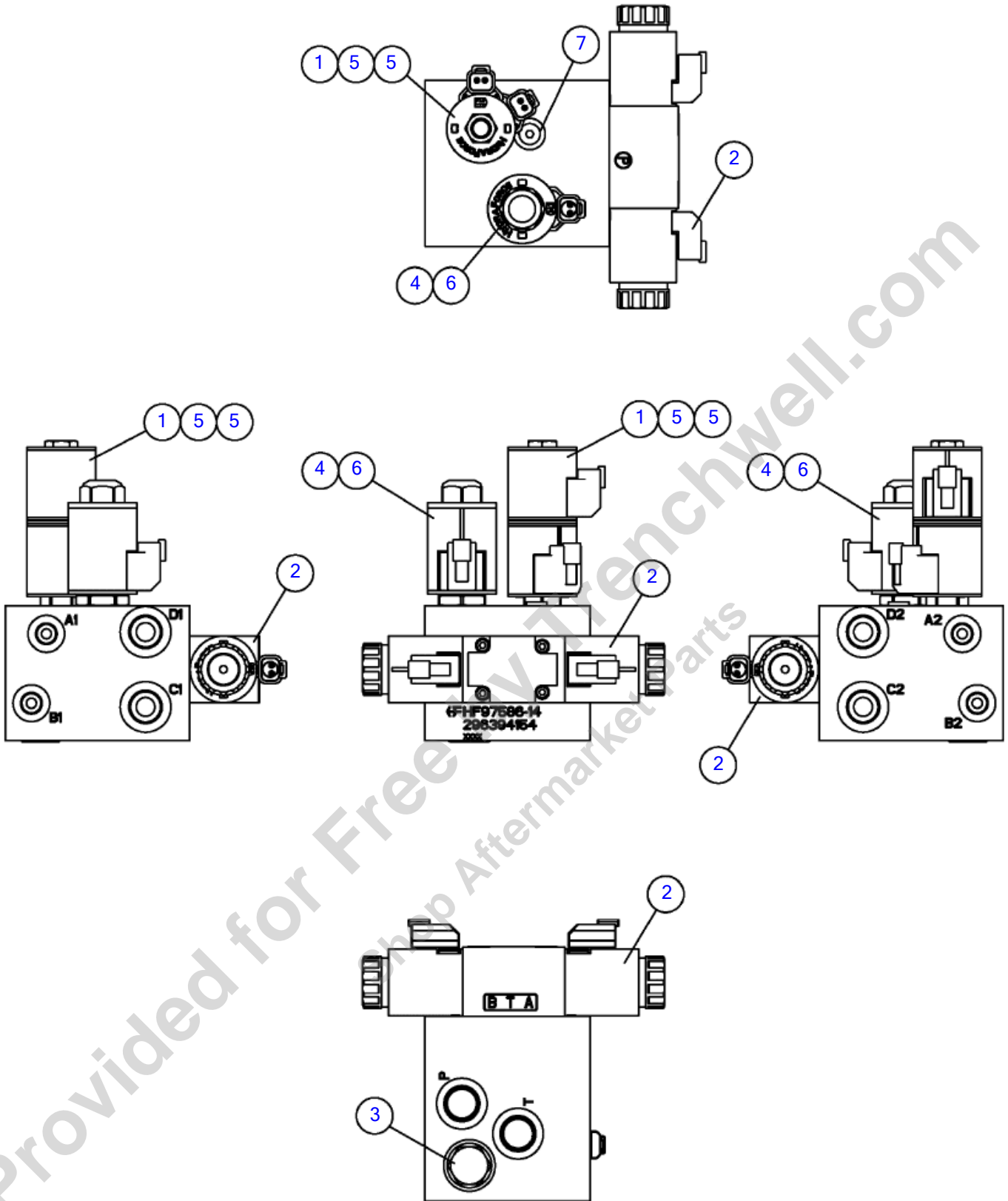
Fig 11-05

REF NO.	PART NO.	DESCRIPTION	QTY.	REMARKS
1	103047001	FITTING-6MJICX6MORING LONG STR	1	
2	103726001	FITTING-6MJICX10M ORING 45 EL	4	
3	296300762	SCREW HFS .31 - 18 X .75 GR8 YZ	3	
4	296300763	SCREW,HFS,.31,18X1.00,GR8,YZ	4	
5	296394154	VALVE-PROPORTIONAL ROD LOADER	1	Breakdown Fig. 11-6T01
6	296432225	WELDMENT - VALVE COVER	1	
7	296432247	WELDMENT - LOADER VALVE COVER MOUNT	1	
8	57946001	FITTING-10MX#6JIC ST ADAPTER	2	
9	65563001	FITTING - 6M O-RING X 6M JIC 45 DEGREE	2	
10	65565001	FITTING - 6M O-RING X 6M JIC ST.	1	

Provided for Free by Trenchwell.com
Shop Aftermarket Parts

Breakdown-Rod Loader Valve

Fig 11-05T01



Breakdown-Rod Loader Valve

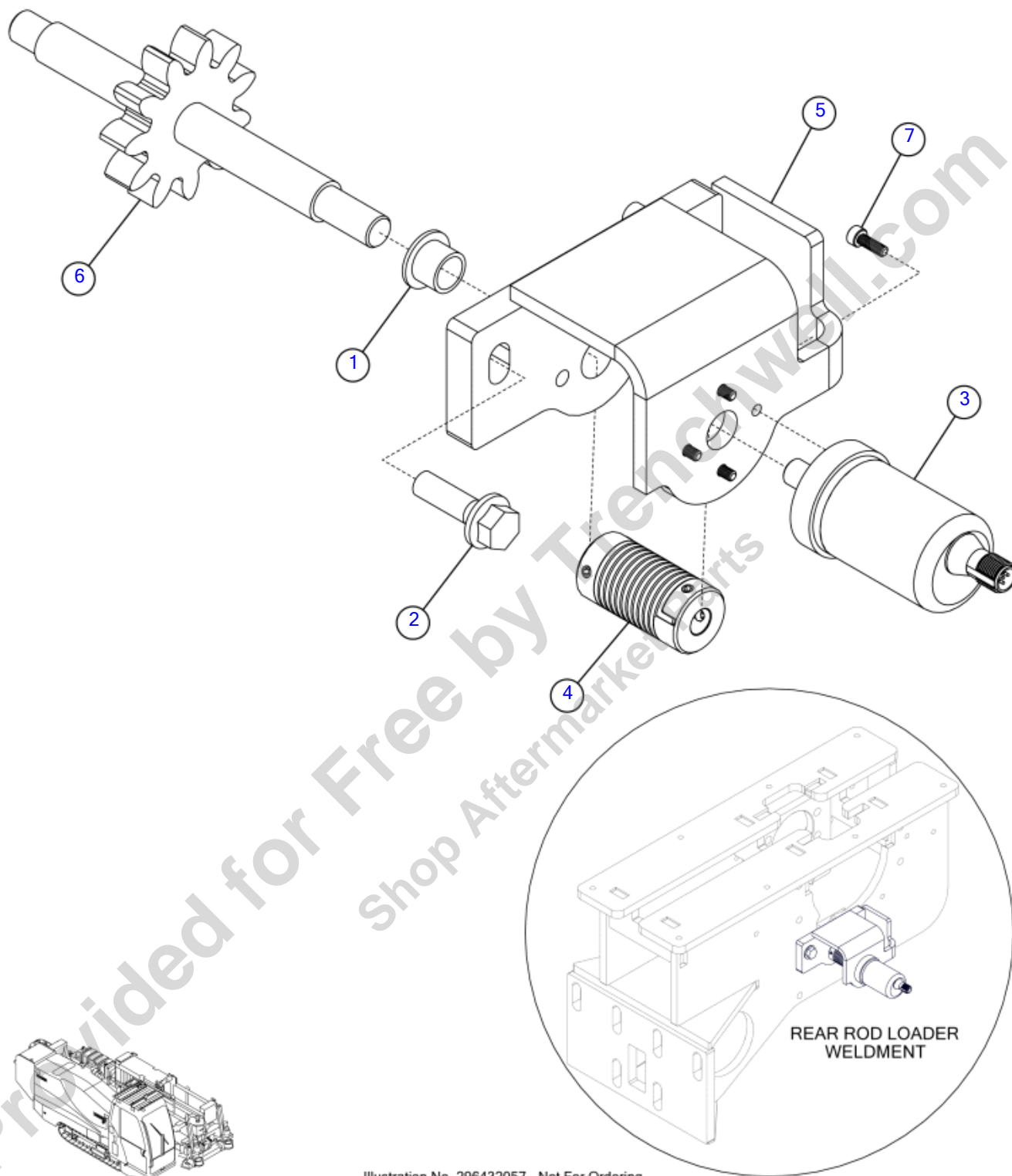
Fig 11-05T01

REF NO.	PART NO.	DESCRIPTION	QTY.	REMARKS
1	251112003	VALVE SOLENOID	1	
1	206271007	REPAIR KIT	1	Seal Kit for Item 1
2	296454091	SOLENOID SANDWICH VALVE	1	
3	296454092	CHECK, PILOT-TO-OPEN	1	
3	507798015	SEAL KIT	1	Seal Kit for Item 3
4	282862004	PROPORTIONAL FLOW CONTROL	1	
4	282862008	SEAL KIT	1	Seal Kit for Item 4
4	(296454093)	SEAL KIT	1	Seal Kit for Item 4
5	296271077	COILS 2	2	
6	296285187	COIL	1	
7	240324011	PLUG - SAE 04	1	
	296394154	VALVE-PROPORTIONAL ROD LOADER	1	Includes All Items Listed Above

Provided for Free by Trenchwell.com
Shop Aftermarket Parts

Rod Loader Encoder

Fig 11-06



Provided for Free by Trenchwall.com
Shop Aftermarket Parts

Illustration No. 296432057 - Not For Ordering

Rod Loader Encoder

Fig 11-06

REF NO.	PART NO.	DESCRIPTION	QTY.	REMARKS
1	230999001	BRZ BUSHING-.627 X .502 - .50	1	
2	296300773	SCREW-HFS-.38-16X1.25-GR8-YZ	2	
3	296376870	ENCODER-ABSOLUTE J1939 JVM42H	1	
4	296416247	COUPLER-FLEX SPRING 10X12	1	
5	296432054	WELDMENT - ENCODER MOUNT	1	
6	296432055	WELDMENT - ENCODER GEAR	1	
7	510508994	SCREW - SHCS - M4 -.70 X 12-12.9-YZ-D912	4	

Provided for Free by Trenchwell.com
Shop Aftermarket Parts

Rod Loader Safety Arms

Fig 11-07

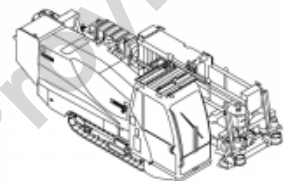
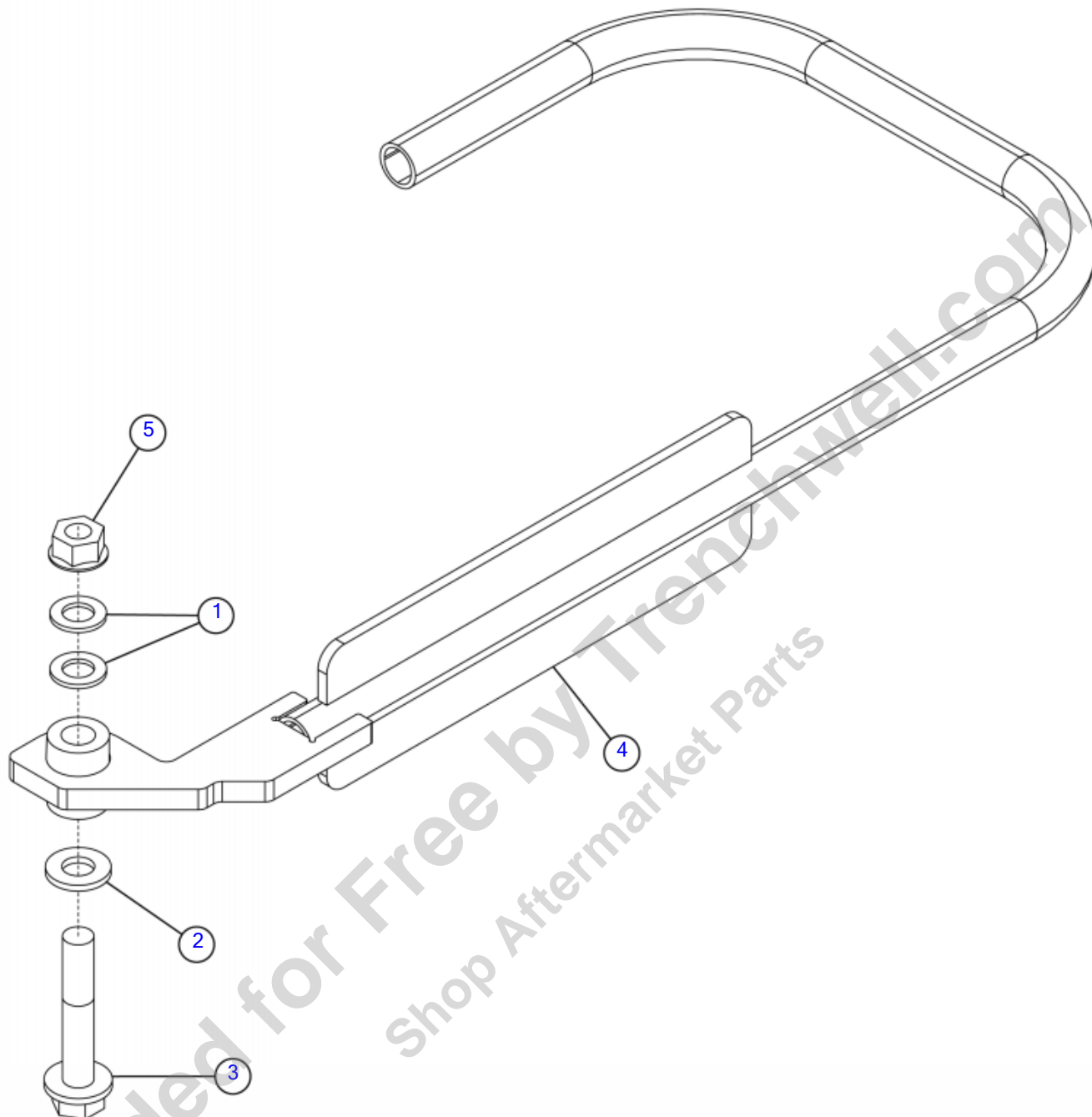


Illustration No. 296422899 - Not For Ordering

Rod Loader Safety Arms

Fig 11-07

REF NO.	PART NO.	DESCRIPTION	QTY.	REMARKS
1	218386001	WASHER-BELLEVILL 1.13OD X.63ID	2	
2	235715001	WASHER-FLATSTRL-.63-.66 X 1.31-.15-YZ-A325	1	
3	296300808	SCREW HFS .63 11 X 3.50 GR8 YZ	1	
4	296422898	WELDMENT - SAFETY ARM	1	
5	510352513	NUT SMFLGTL .63-11 G YZ	1	

Provided for Free by Trenchwell.com
Shop Aftermarket Parts

Rod Box - Short

Fig 11-08

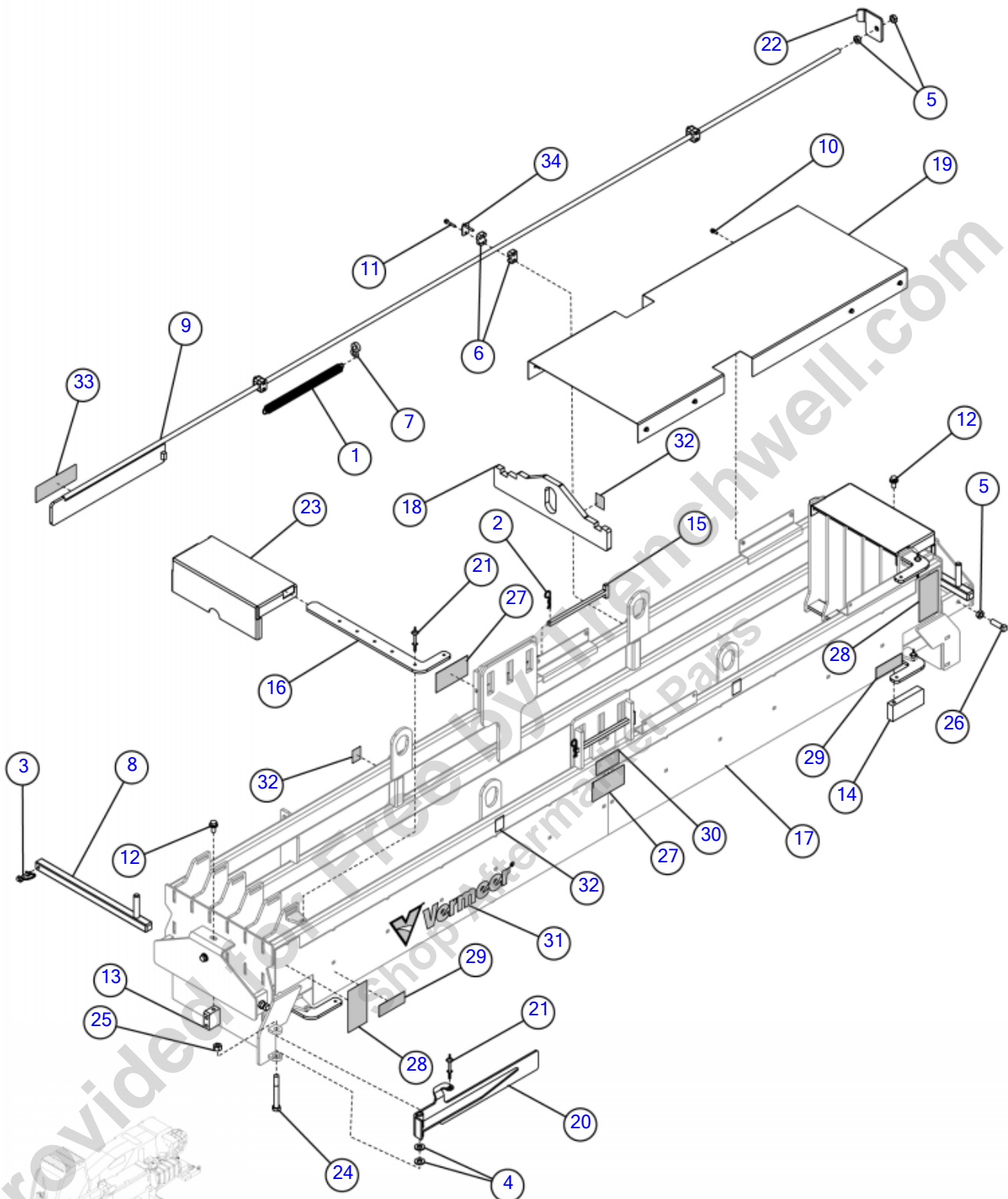


Illustration No. 296432147 - Not For Ordering

Rod Box - Short

Fig 11-08

REF NO.	PART NO.	DESCRIPTION	QTY.	REMARKS
1	1789001	SPRING-1 1/8ODX15/16ID X 15 EXT	1	
2	1794003	HAIR PIN COTTER - .148 WIRE	2	
3	2108001	LYNCH PIN - 1/4 X 2	2	
4	235715001	WASHER-FLATSTRL-.63-.66 X 1.31-.15-YZ-A325	2	
5	250514001	NUT -5/8NC JAM Y/ZINC	6	
6	279817001	CLAMP - HOSE 2180PP (PAIR)	3	
7	295529001	MOUNT-ROD INDICATOR SPRING	1	
8	296280023	PIN - ROD BOX	2	
9	296280100	WELDMENT - ROD POSITION MARKER	1	
10	296300753	SCREW-HFS-.25-20X.75-GR8-YZ	8	
11	296300756	SCREW HFS .25 20X1.50 GR8 YZ	6	
12	296300788	SCREW HFS .50 13 X 1.00 GR8 YZ	4	
13	296303095	BLOCK - CENTERING	1	
14	296303102	BAR - CENTERING	1	
15	296303144	BAR - KEEPER	2	
16	296327015	PLATE - FLAT BAR RETAINER	4	
17		WELDMENT - ROD BOX 10FT SHORT BOX D24X40II	1	Not Sold Separately
18	296408510	PLATE - LIFT	1	
19	296443078	PLATE - GUARD	1	
20	296443950	WELDMENT - ADD A ROD DOOR	1	
21	296443967	PIN- 0.25 DIA ROUND RETAINER	4	
22	296462904	PLATE - FLAG STOP	1	
23	296472033	PLATE-ROD BOX COVER D24X40 SHORT BOX	2	
24	366050	BOLT - 5/8-11X5" GRADE#5 HEX	1	
25	430001	NUT-5/8 NC SLTL GRADE B ZINC	1	
26	510365820	SCREW-SQSET-.63-11X2.00-YZ-CUP	4	
27	70000563	DECAL-WARNING (UND)	2	Domestic
27	7000I563	DECAL-WARNING (UND)	2	International
28	7000A627	DECAL-DANGER	2	Domestic
28	700IA627	DECAL-DANGER	2	International
29	7000G014	DECAL-WARNING PINCH POINT	2	Domestic
29	700IG014	DECAL-WARNING PINCH POINT	2	International
30	7000G553	DECAL-LOAD CAPACITY, SHORT ROD BOX	1	
31	7000G964	DECAL - VERMEER ROD BOX SMALL	1	
32	7000I445	DECAL-LIFT POINT	5	
33	700IG525	DECAL-ROD POSITIONER	1	
34	903135005	PLATE COVER COP 2	3	
	296408535	10ft SHORT BOX WITH DECALS - DOM D24X40II	1	Incl. Ref#17, 27 Thru 32
	296408536	10' SHORT BOX W/DECALS - INT'L D24X40II	1	Incl. Ref#17, 27 Thru 32
	296432147	ASSEMBLY - ROD BOX 10 FT SHORT BOX 24X40	1	Incl. Ref#1 Thru 32

Rod Box - Tall

Fig 11-09

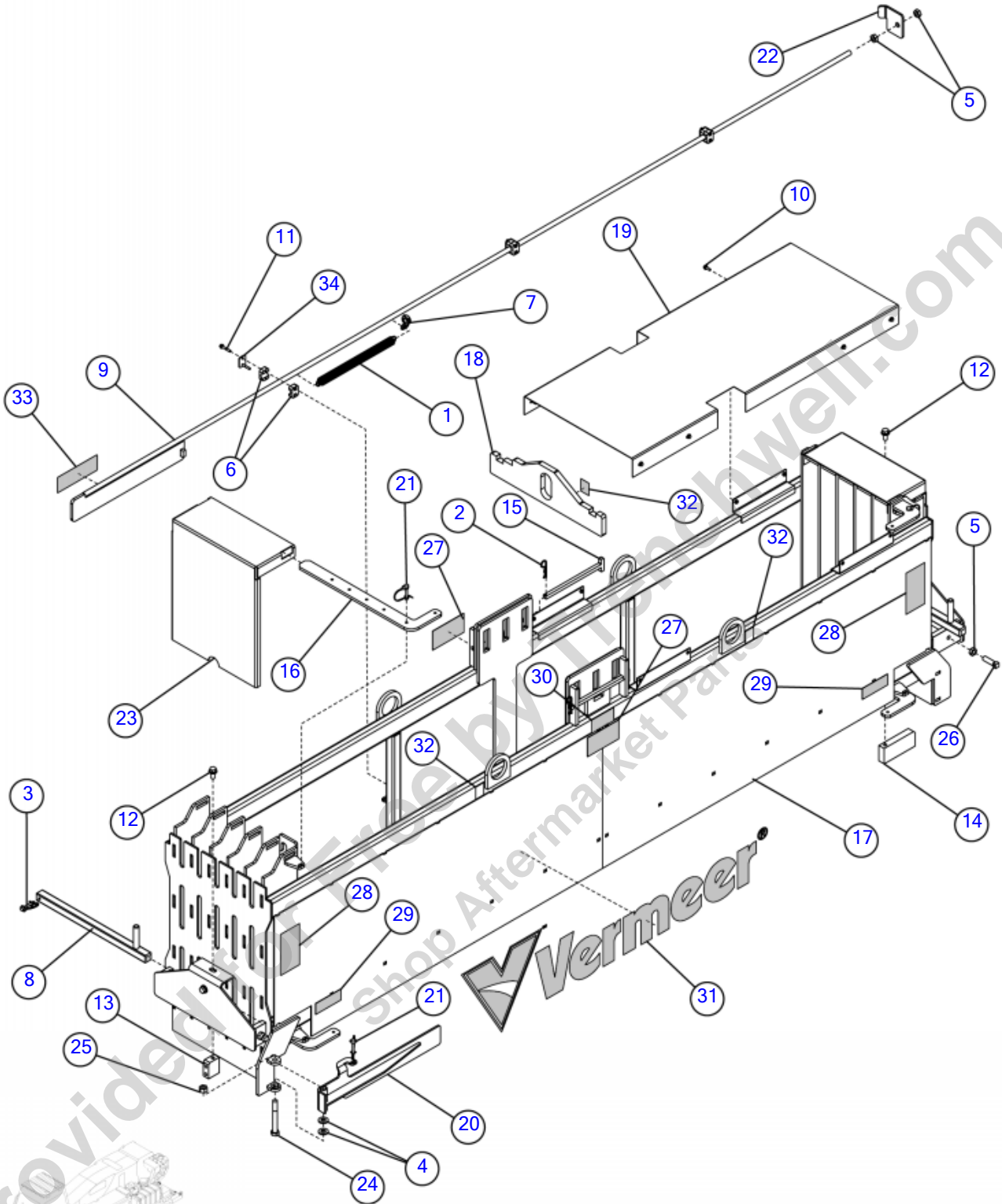


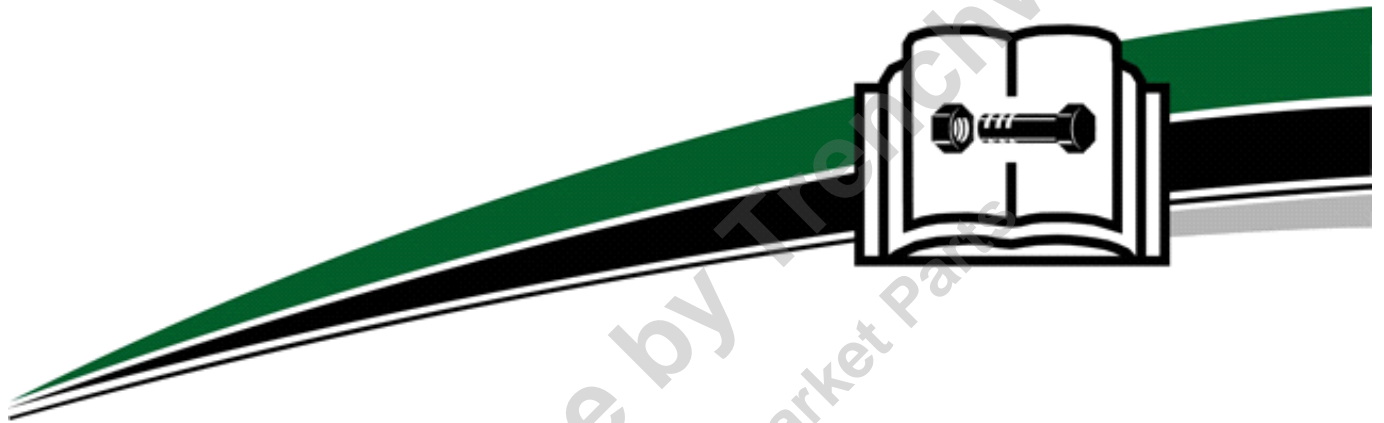
Illustration No. 296432148 - Not For Ordering

Rod Box - Tall

Fig 11-09

REF NO.	PART NO.	DESCRIPTION	QTY.	REMARKS
1	1789001	SPRING-1 1/8ODX15/16ID X 15 EXT	1	
2	1794003	HAIR PIN COTTER - .148 WIRE	2	
3	2108001	LYNCH PIN - 1/4 X 2	2	
4	235715001	WASHER-FLATSTRL-.63-.66 X 1.31-.15-YZ-A325	2	
5	250514001	NUT -5/8NC JAM Y/ZINC	6	
6	279817001	CLAMP - HOSE 2180PP (PAIR)	3	
7	295529001	MOUNT-ROD INDICATOR SPRING	1	
8	296280023	PIN - ROD BOX	2	
9	296280100	WELDMENT - ROD POSITION MARKER	1	
10	296300753	SCREW-HFS-.25-20X.75-GR8-YZ	8	
11	296300756	SCREW HFS .25 20X1.50 GR8 YZ	6	
12	296300788	SCREW HFS .50 13 X 1.00 GR8 YZ	4	
13	296303095	BLOCK - CENTERING	1	
14	296303102	BAR - CENTERING	1	
15	296303144	BAR - KEEPER	2	
16	296327015	PLATE - FLAT BAR RETAINER	4	
17		WELDMENT - 10FT TALL BOX D24X40II	1	Not Sold Separately
18	296408510	PLATE - LIFT	1	
19	296443078	PLATE - GUARD	1	
20	296443950	WELDMENT - ADD A ROD DOOR	1	
21	296443967	PIN- 0.25 DIA ROUND RETAINER	4	
22	296462904	PLATE - FLAG STOP	1	
23	296472047	PLATE-ROD BOX COVER D24X40 TALL BOX	2	
24	366050	BOLT - 5/8-11X5" GRADE#5 HEX	1	
25	430001	NUT-5/8 NC SLTL GRADE B ZINC	1	
26	510365820	SCREW-SQSET-.63-11X2.00-YZ-CUP	4	
27	70000563	DECAL-WARNING (UND)	2	Domestic
27	7000I563	DECAL-WARNING (UND)	2	International
28	7000A627	DECAL-DANGER	2	Domestic
28	700IA627	DECAL-DANGER	2	International
29	7000G014	DECAL-WARNING PINCH POINT	2	Domestic
29	700IG014	DECAL-WARNING PINCH POINT	2	International
30	7000G554	DECAL-LOAD CAPACITY, TALL ROD BOX	1	
31	7000G965	DECAL - VERMEER ROD BOX LARGE	1	
32	7000I445	DECAL-LIFT POINT	5	
33	700IG525	DECAL-ROD POSITIONER	1	
34	903135005	PLATE COVER COP 2	3	

Water Pump



Provided for Free by Trenchwell.com
Shop Aftermarket Parts

Water Pump

50GPM Apex Water Pump (SN 101-693)	Fig	12-01
50GPM Apex Water Pump (SN 694-)	Fig	12-01R01
Breakdown-Power Section	Fig	12-01T01
Breakdown-Fluid Section	Fig	12-01T02
Breakdown-Pump Drive Motor	Fig	12-01T03
Water Shut-off Cylinder	Fig	12-02
Breakdown-Water Shut-Off Cylinder	Fig	12-02T01
Breakdown-Water Shut-Off Ball Valve	Fig	12-02T02
Water Pump Valve	Fig	12-03
Breakdown-Water Pump Valve	Fig	12-03T01
Water Pump Valve (394-693)	Fig	12-03R01
Water Pump Valve (SN 694-)	Fig	12-03R02
Breakdown-Water Pump Valve (394-)	Fig	12-03T01R01
Wash Wand	Fig	12-04
50GPM FMC Water Pump (SN 101-693)	Fig	12-05
50GPM FMC Water Pump (SN 694-)	Fig	12-05R01
Breakdown - Power Section	Fig	12-05T01
Breakdown - Fluid Section	Fig	12-05T02
Breakdown-FMC 50 GPM Motor	Fig	12-05T03
Water Shut Off-NON Mud Pump	Fig	12-06
Breakdown-Water Shut-Off Cylinder	Fig	12-06T01
Breakdown-Water Shut-Off Ball Valve	Fig	12-06T02
NON Water Pump Valve	Fig	12-07
Breakdown-Water Pump Valve	Fig	12-07T01
NON Water Pump Valve	Fig	12-08
Breakdown-Water Pump Valve	Fig	12-08T01

Provided for Free by Trenchwell.com
 Shop Aftermarket Parts

50GPM Apex Water Pump (SN 101-693)

Fig 12-01

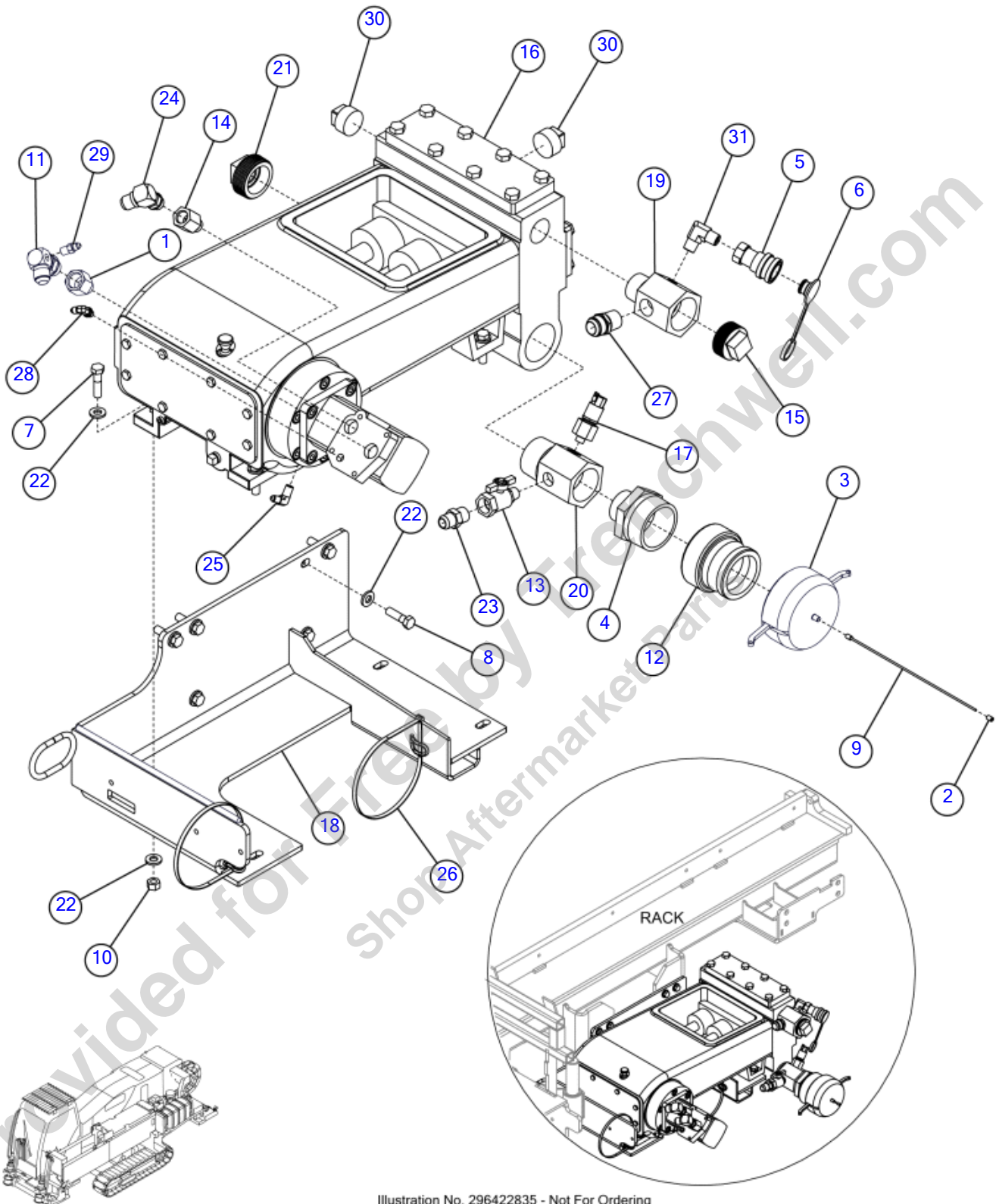


Illustration No. 296422835 - Not For Ordering

50GPM Apex Water Pump (SN 101-693)

Fig 12-01

REF NO.	PART NO.	DESCRIPTION	QTY.	REMARKS
1	119167001	FITTING-10M X 12F ST. ADAPTER	1	
2	1838001	CONNECTOR-WIRE (ETC)	2	
3	215429001	CAP 3in CAM LOCK	1	
4	221506001	NIPPLE - REDUCING 3X2 MPT (POLY)	1	
5	227235001	COUPLER 1/2 in. NPT QUICK - FEMALE	1	
6	234679001	CAP-DUST	1	
7	235718001	BOLT-1/2-13X2 GR8 HEX ZINC PLT	4	
8	240334001	SCREW-HCS-.50-13X1.75-GR8-YZ	6	
9	244069001	CABLE-3/32"X12" NYLON COATED	1	
10	250512001	NUT- 1/2 NC Gr8 TOP LOCK Y/ ZINC	4	
11	271218001	FITTING-90-12MJ-12MORBA-P6-4FP	1	
12	275759001	COUPLING 3in MTPT X 3in FPT - POLY	1	
13	275770001	VALVE - 3/4 MXF BALL W/T-HNDL	1	
14	292639001	FITTING - STR - 10MORB - 10FORB	1	
15	296258568	FITTING - PLUG - 32MNPT - SQ - GALV	1	
16	296269559	PUMP-MUD-APLEX 50 GPM	1	Breakdown Fig. 12-1T01 Thru 12-1T03
17	296394113	TRANSDUCER 100 PSI HYDAC W/BARRIER	1	
18	296422836	WELDMENT - PUMP SUPPORT	1	
19	296443772	FITTING - MUD PUMP OUTLET MANIFOLD MEDIUM NAV	1	
20	296443773	FITTING - MUD PUMP INLET MANIFOLD MEDIUM NAV	1	
21	296443774	PLUG-2.5 NPT	1	
22	485025	WASHER-1/2 FLAT-HARDENED-YZ	14	
23	53836001	FITTING-3/4M PIPE-#12M JIC ST.	1	
24	53871001	FITTING-#10M O-RING X 12M JIC 90	1	
25	56647001	FITTING-1/4MX4M JIC 90 DEG.	1	
26	58151001	STRAP-CABLE TIE-T120R-0 15"	2	
27	59269001	ADAPTER-1 NPTX16 JIC ST	1	
28	59423001	FITTING-90-4MORBA-4MJ	1	
29	67849001	FITTING-1/4 M X 4M JIC ST.	1	
30	732015	PLUG-1 1/2" PIPE PLUG BLACK STEEL	2	
31	904831001	FITTING 1/2MNPT X 1/2MNPT 90	1	

50GPM Apex Water Pump (SN 694-)

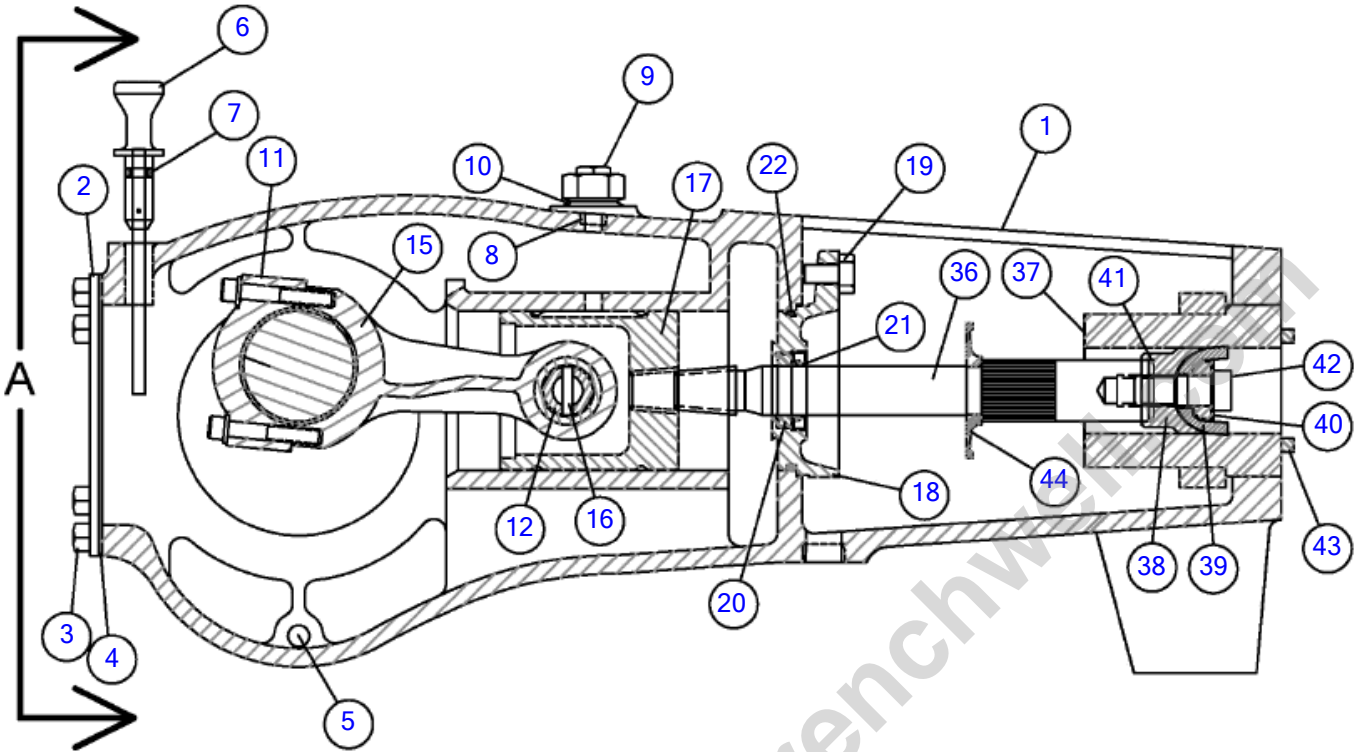
Fig 12-01R01

REF NO.	PART NO.	DESCRIPTION	QTY.	REMARKS
1	119167001	FITTING-10M X 12F ST. ADAPTER	1	
2	1838001	CONNECTOR-WIRE (ETC)	2	
3	215429001	CAP 3in CAM LOCK	1	
4	221506001	NIPPLE - REDUCING 3X2 MPT (POLY)	1	
5	227235001	COUPLER 1/2 in. NPT QUICK - FEMALE	1	
6	234679001	CAP-DUST	1	
7	244069001	CABLE-3/32"X12" NYLON COATED	1	
8	271218001	FITTING-90-12MJ-12MORBA-P6-4FP	1	
9	275759001	COUPLING 3in MTPT X 3in FPT - POLY	1	
10	275770001	VALVE - 3/4 MXF BALL W/T-HNDL	1	
11	292639001	FITTING - STR - 10MORB - 10FORB	1	
12	296258568	FITTING - PLUG - 32MNPT - SQ - GALV	1	
13	296269559	PUMP-MUD-APLEX 50 GPM	1	Breakdown Fig. 12-1T01 Thru 12-1T03
14	296300791	SCREW-HFS-.50-13X1.75-GR8-YZ	10	
15	296300851	NUT-HEXFLGTL-.50-13-G-YZ	4	
16	296394113	TRANSDUCER 100 PSI HYDAC W/BARRIER	1	
17	296422836	WELDMENT - PUMP SUPPORT	1	
18	296443772	FITTING - MUD PUMP OUTLET MANIFOLD MEDIUM NAV	1	
19	296443773	FITTING - MUD PUMP INLET MANIFOLD MEDIUM NAV	1	
20	296443774	PLUG-2.5 NPT	1	
21	53836001	FITTING-3/4M PIPE-#12M JIC ST.	1	
22	53871001	FITTING-#10M O-RING X 12M JIC 90	1	
23	58151001	STRAP-CABLE TIE-T120R-0 15"	2	
24	59269001	ADAPTER-1 NPTX16 JIC ST	1	
25	59423001	FITTING-90-4MORBA-4MJ	1	
26	67216001	FITTING-90-8MJ-4MNPT	1	
27	67849001	FITTING-1/4 M X 4M JIC ST.	1	
28	732015	PLUG-1 1/2" PIPE PLUG BLACK STEEL	2	
29	904831001	FITTING 1/2MNPT X 1/2MNPT 90	1	

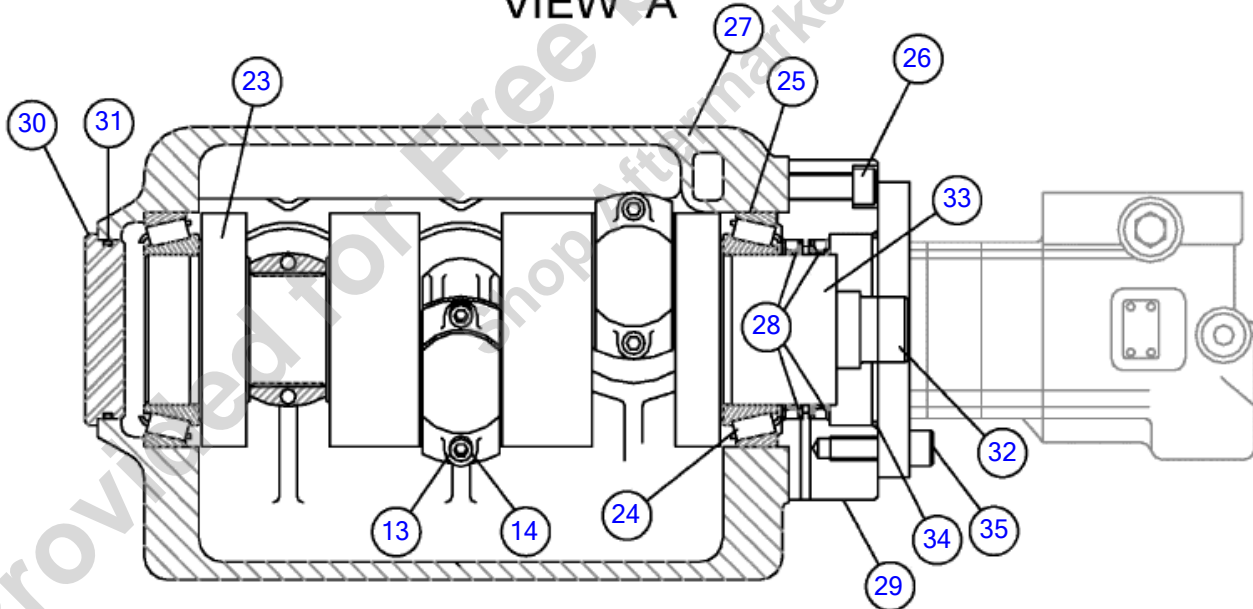
Breakdown-Power Section

Fig 12-01T01

SIDE VIEW



VIEW "A"



REAR VIEW

Breakdown-Power Section

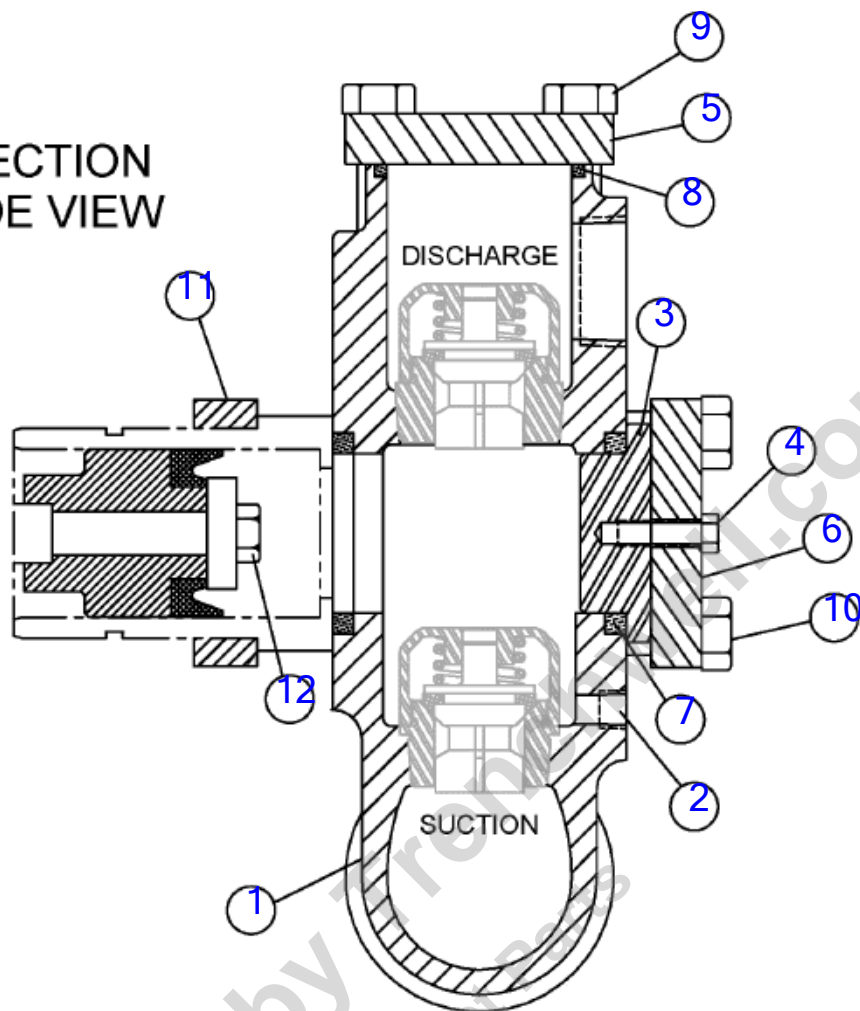
Fig 12-01T01

REF NO.	PART NO.	DESCRIPTION	QTY.	REMARKS
1	296272942	POWER FRAME	1	
2	220741007	CRANKCASE COVER	1	
3	354006	BOLT-3/8"-16X3/4"GRADE#5 HEX	8	
4	220741011	GASKET-CRANKCASE COVER	1	
5	296272943	PIPE PLUG 3/8" SQUARE HEAD	2	
6	220741021	OIL LEVEL DIPSTICK	1	
7	220741147	O-RING - 2-110 NITRILE	1	
8	296272944	PIPE PLUG 1/8" SOCKET HEAD	3	
9	277781019	FILTER - BREATHER	1	
10	220741017	1/2" NPT PLUG-SOCKET HEAD	1	
11	220741025	CONNECTING ROD	3	Includes Items 12 thru 14
12	220741027	WRIST PIN BUSHING	1	Included in Connecting Rod Kit
13	220741029	5/16-18X2" SOCKET HD CAP SCREW	2	Included in Connecting Rod Kit
14	220741031	5/16" LOCKWASHER	2	Included in Connecting Rod Kit
15	283702001	BEARING - CRANK PIN 2 HALVES SC45	3	
16	220741035	WRIST PIN	3	
17	220741037	CROSSHEAD	3	
18	220741039	WIPER BOX	3	
19	296272946	SCREW-HEX HEAD CAP 3/8" X 1 1/4" LONG	6	
20	220741045	POLYPAK RING	3	
21	220741047	OIL SEAL 1 3/8" OD 7/8 ID	3	
22	220741049	O-RING	3	
23	296253156	SC - 45 - CRANKSHAFT KIT W/BEARINGS	1	Includes Items 24, 25, 32 & 33
24	228098013	CONE	2	Included in Crankshaft Kit
25	228098015	CUP	2	Included in Crankshaft Kit
26	296272949	SCREW -1/2"NC X 2" LONG HEX HEAD CAP	6	
27	220741113	SHIM SET	1	
28	228098025	OIL SEAL 3 11/16"OD 2 9/19"ID	2	
29	228098019	BEARING RETAINER/MOTOR ADAPTER	1	
30	220741119	FRAME PLUG	1	
31	220741121	ORING	1	
32	228098027	SPLINED COUPLER -SC45 PUMP	1	Included in Crankshaft Kit
33	224904009	SPACER-HARDENED SPLINE ADAPTER	1	Included in Crankshaft Kit
34	220741125	O-RING NITRILE	1	
35	239383023	CAP SCREW-1/2 NC-1 1/4 HEX HD	4	
36	296272955	PISTON ROD	1	
37	296272956	PISTON LINER - 2 1/4" WHITE CERAMIC	1	
38	296272957	PISTON HUB	1	
39	296272958	PISTON CUP HSN & KEVLAR	1	
40	296272959	PISTON KEEPER	1	
41	220741075	O - RING - POLYURETHANE - SIZE 024	1	
42	279264001	PISTON - FASTENER END	1	
43	224408131	SEAL-STUFFING BOX (RUBBER)	1	
44	220741091	BAFFLE PLATE LOW TEMP RUBBER	1	
	296345617	POWER END W/O MOTOR	1	Includes Items 1 thru 33
	296269559	PUMP-MUD-APLEX 50 GPM	1	Includes All Items Listed Above & in Fig 12-1T02

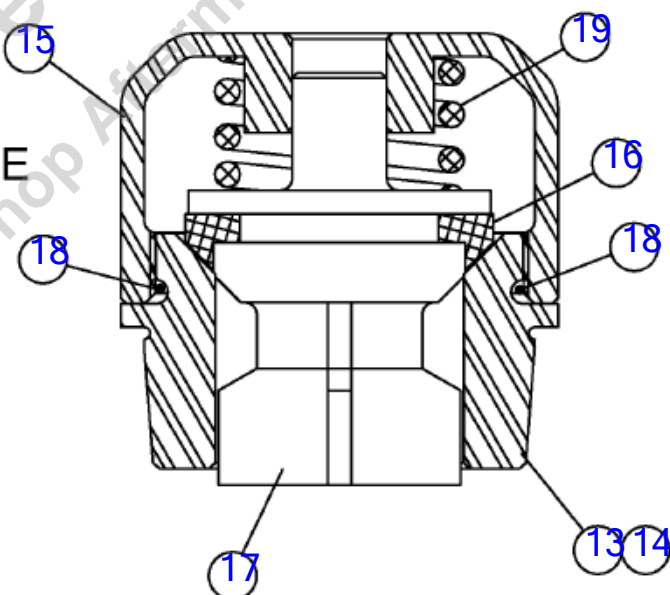
Breakdown-Fluid Section

Fig 12-01T02

FLUID END SECTION
CUT AWAY SIDE VIEW



SUCTION / DISCHARGE
VALVE ASSEMBLY



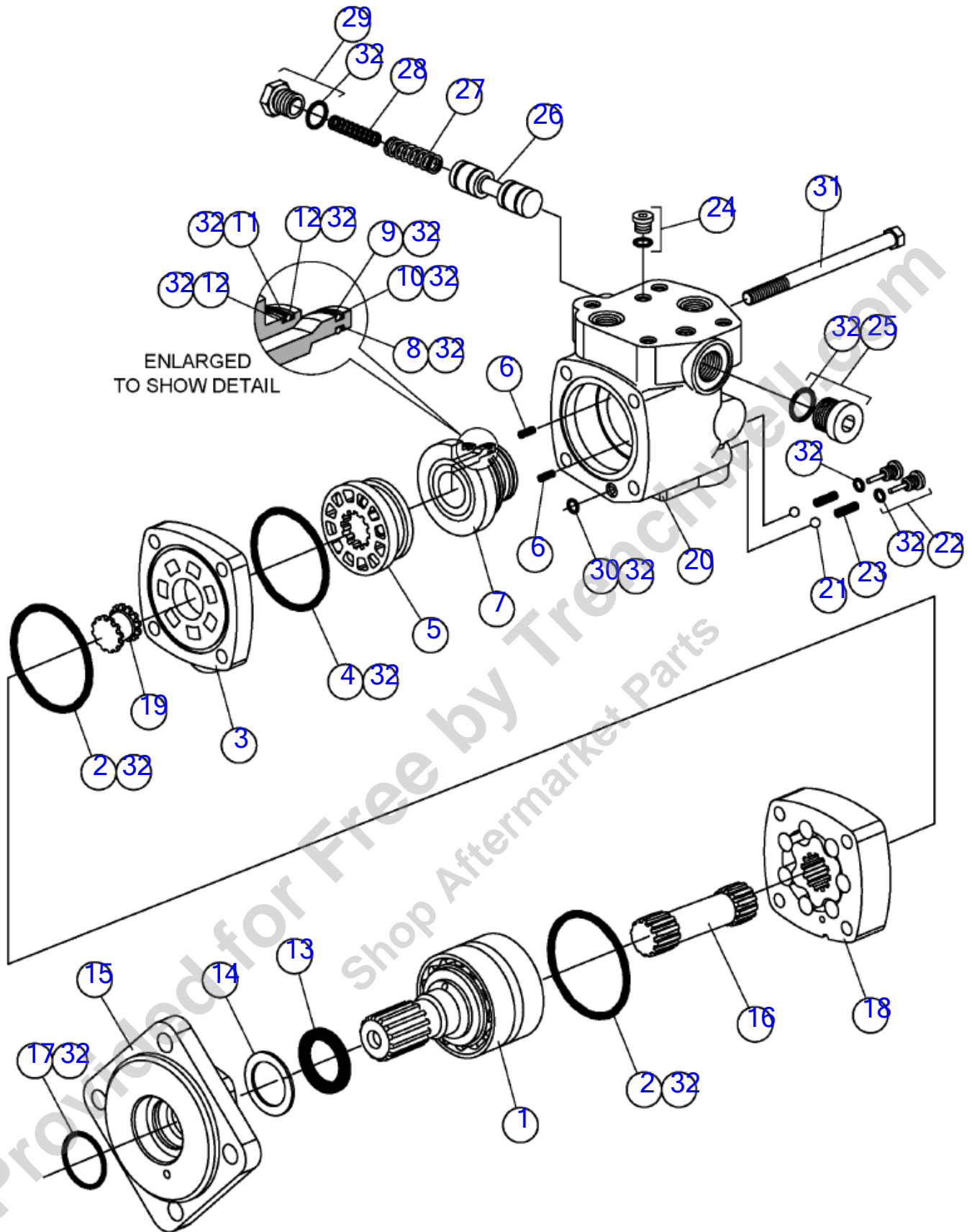
Breakdown-Fluid Section

Fig 12-01T02

REF NO.	PART NO.	DESCRIPTION	QTY.	REMARKS
1	296272950	FLUID END - DUCTILE IRON	1	
2	521020	SCREW-SHC 3/4-10 X 2.00"-PLAIN FINISH	2	
3	224408109	VALVE COVER AND CYL.HEAD PLUG	3	
4	239383023	CAP SCREW-1/2 NC-1 1/4 HEX HD	3	
5	296272952	VALVE COVER	1	
6	248823001	RETAINER-VALVE COVER	2	
7	224408131	SEAL-STUFFING BOX (RUBBER)	3	
8	296272953	O-RING #335	3	
9	277780030	HEX HD CAP SCREW - 5/8 NCX 1 3/4	8	
10	220741065	5/8-11X7 1/2" HHCS	8	
11	296272954	RETAINER PLATE	1	
12	220741069	3/8-16 X 1 1/2" HHCS	2	
13	244460021	VALVE SEAT - DISCHARGE	1	
14	244460033	VALVE SEAT - SUCTION	1	
15	244460027	GUIDE CAGE	1	
16	244460023	POLYURETHANE INSERT	1	
17	244460029	VALVE BODY	1	
18	224408125	O-RING (RUBBER) SIZE 032	1	
19	220741141	SPRING - VALVE	1	
	244460005	VALVE ASSY - ABRASIVE RESISTANT (SUCTION)	3	Includes Items 14 thru 19
	244460007	VALVE ASSY - ABRASIVE RESISTANT (DISCHARGE)	3	Includes Items 13 & 15 thru 19
	224408163	SEAT PULLER COMPLETE	1	Service Tool
	296269559	PUMP-MUD-APLEX 50 GPM	1	Includes All Items Listed Above & in Fig 12-1T01

Breakdown-Pump Drive Motor

Fig 12-01T03



Breakdown-Pump Drive Motor

Fig 12-01T03

REF NO.	PART NO.	DESCRIPTION	QTY.	REMARKS
1	206469001	SHAFT & BEARING KIT/1 1/4 SPLINED	1	
2	770007	SEAL - O RING 9022 - 6	2	Included in Item 32
3	201666007	PLATE-VALVE 21722	1	
4	201666009	SEAL 250001-39	1	Included in Item 32
5	296364754	VALVE	1	
6	243316025	SPRING	2	
7	296454081	BALANCE RING S/A (W/PINS 2)	1	
8	201666019	RING-BACKUP 14461-4	1	Included in Item 32
9	201666025	O-RING 250001-28	1	Included in Item 32
10	201666027	RING-BACKUP 14461-5	1	Included in Item 32
11	296372889	O-RING	1	Included in Item 32
12	224408023	RING-BACKUP	2	Included in Item 32
13	61062001	SHAFT SEAL	1	
14	260576013	WASHER BACKUP	1	
15		BEARINGLESS MOUNTING FLANGE	1	Not Sold Separately
16	770081	DRIVE- # 21371-5	1	
17	243316003	O-RING	1	Included in Item 32
18		GEROLER	1	Not Sold Separately
19	774011	DRIVE-VALVE 8433	1	
20	275996003	HOUSING	1	
21	224408035	BALL	2	
22	224408039	PLUG/O-RING S/A	2	Included in Item 32, Plug Not Included in Seal Kit
23	770051	SPRING	2	
24	180005760	PLUG - SUB ASSY	1	Included in Item 32, Plug Not Included in Seal Kit
25	85647005	PLUG-3/4-16 UNF SOCK HD	1	Included in Item 32
26	296364755	SPOOL-CONTROL	1	
27	201666041	SPRING-COMPRESSION 230304	1	
28	201666039	SPRING-COMPRESSION 230305	1	
29	201666035	PLUG ASSY 9151-2	1	Included in Item 32, Plug Not Included in Seal Kit
30	296265538	O-RING	1	Included in Item 32
31	510503702	SCREW, CAP - #14384-010	4	
32	221557003	REPAIR KIT	1	Seal Kit Includes Items 2, 4, 8 thru 12, 17, 22, 24, 25, 29 & 30
	251106009	SPEED PICKUP - ELECTRONIC	1	Not Shown
	275996001	MOTOR - HYD EATON 2 SP	1	Includes All Items Listed Above

Water Shut-off Cylinder

Fig 12-02

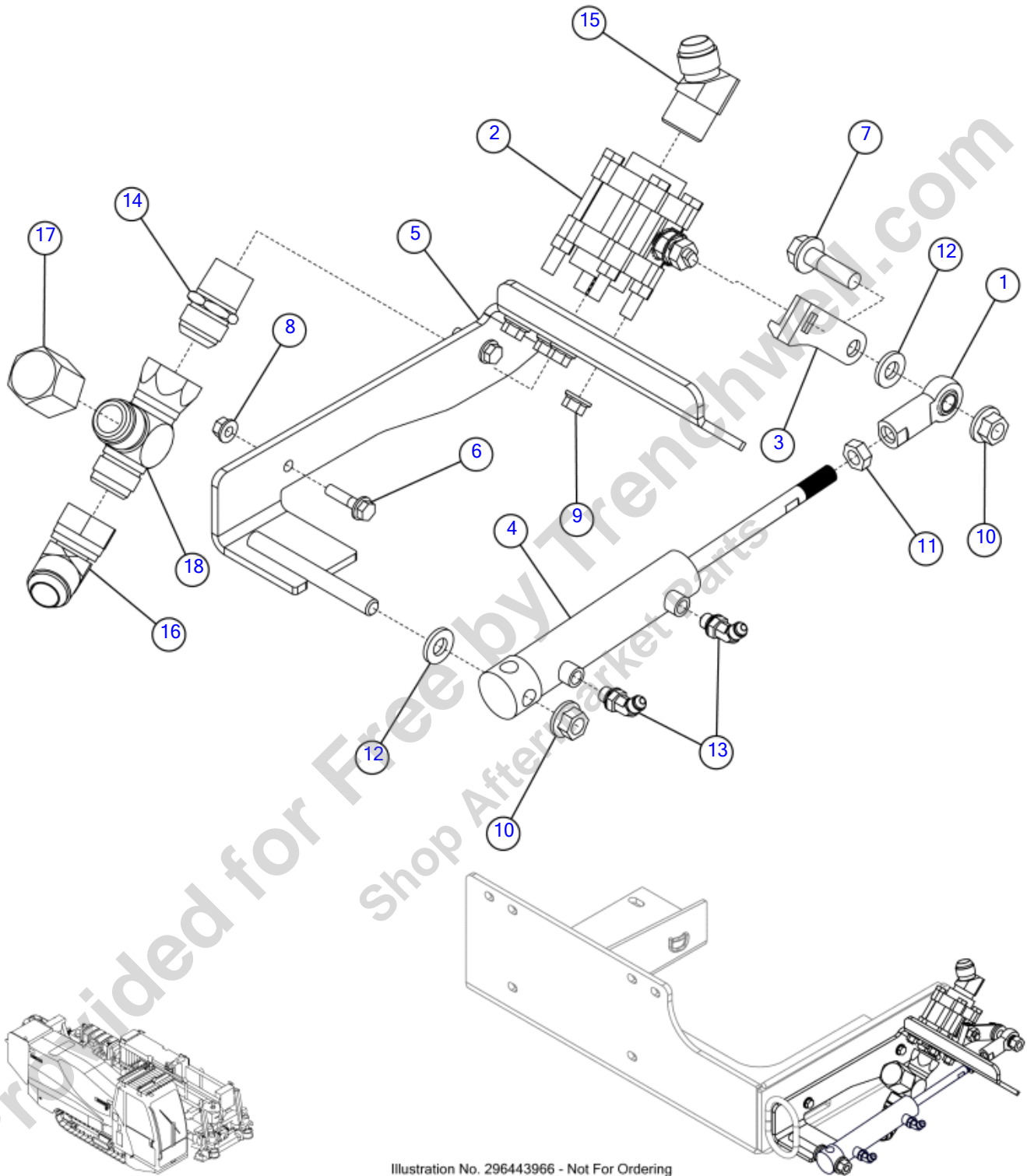


Illustration No. 296443966 - Not For Ordering

Water Shut-off Cylinder

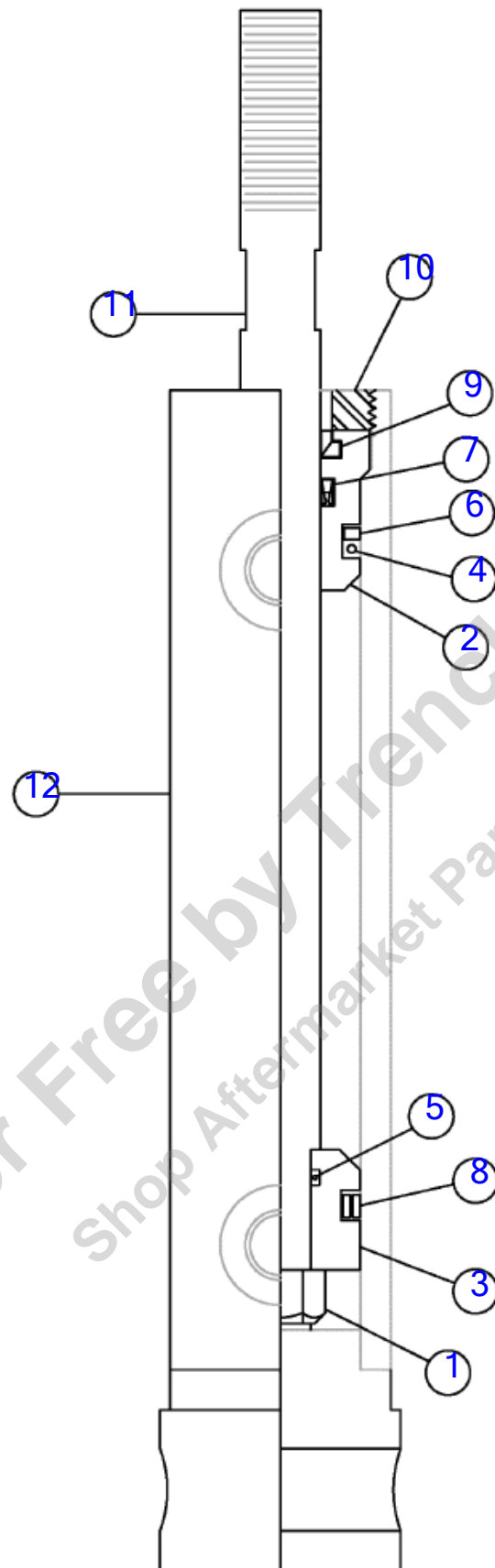
Fig 12-02

REF NO.	PART NO.	DESCRIPTION	QTY.	REMARKS
1	224291001	BALL JOINT-1/2-20 FEMALE THDS.	1	
2	278003001	VALVE - 1in 1500 PSI BRASS BALL	1	Breakdown Fig. 12-2T02
3	296275324	ARM - LEVER	1	
4	296285658	CYLINDER 1 X 3-1/2	1	Breakdown Fig. 12-2T01
5	296294636	WATER VALVE SUPPORT	1	
6	296300764	SCREW-HFS-.31-18X1.25-GR8-YZ	2	
7	296300791	SCREW-HFS-.50-13X1.75-GR8-YZ	1	
8	296300849	NUT-HEXFLGTL-.31-18-G-YZ	2	
9	296300850	NUT-HEXFLGTL-.38-16-G-YZ	4	
10	296300851	NUT-HEXFLGTL-.50-13-G-YZ	2	
11	3888001	NUT-1/2 N.F. HEX JAM	1	
12	485025	WASHER-1/2 FLAT-HARDENED-YZ	2	
13	58295001	FITTING-4M OR X 4M JIC 45 DEG.	2	
14	59269001	ADAPTER-1 NPTX16 JIC ST	1	
15	60904001	ELBOW 1in M NPT X 16M JIC 45 DEG	1	
16	61702001	FITTING-16M JIC X 16FS JIC 45	1	
17	77141001	FITTING-CAP NUT 16F JIC	1	
18	77155001	FITTING RTEE 16MJ 16FSJ 16MJ	1	

Provided for Free by Trenchwell.com
Shop Aftermarket Parts

Breakdown-Water Shut-Off Cylinder

Fig 12-02T01



Provided for Free by Trenchwell.com
Shop Aftermarket Parts

Breakdown-Water Shut-Off Cylinder

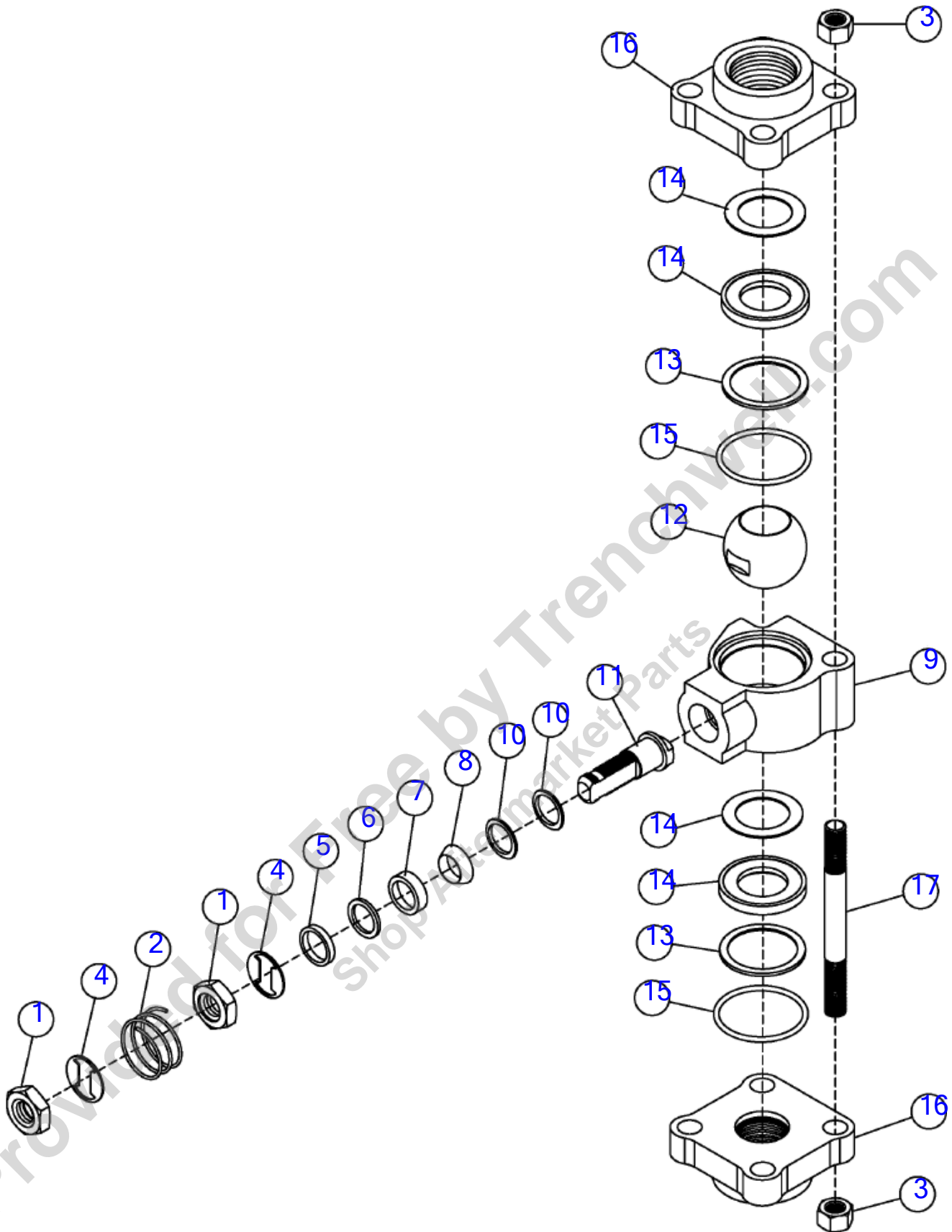
Fig 12-02T01

REF NO.	PART NO.	DESCRIPTION	QTY.	REMARKS
1		NUT	1	Not Sold Separately
2		HEAD	1	Not Sold Separately
3		PISTON	1	Not Sold Separately
4		O-RING	1	Included in Seal Kit - Not Sold Separately
5		O-RING	1	Included in Seal Kit - Not Sold Separately
6		BACKUPS	3	Included in Seal Kit - Not Sold Separately
7		BS SEAL	1	Included in Seal Kit - Not Sold Separately
8		PSP SEAL	1	Included in Seal Kit - Not Sold Separately
9		DUST SEAL	1	Included in Seal Kit - Not Sold Separately
10		COLLAR	1	Not Sold Separately
11	296285210	SHAFT	1	
12		BARREL WITH CLEVIS AND PORTS	1	Not Sold Separately
	296285211	SEAL KIT	1	includes Items 4 thru 9
	296285658	CYLINDER 1 X 3-1/2	1	Includes All Items Listed Above

Provided for Free by Trenchwell.com
Shop Aftermarket Parts

Breakdown-Water Shut-Off Ball Valve

Fig 12-02T02



Breakdown-Water Shut-Off Ball Valve

Fig 12-02T02

REF NO.	PART NO.	DESCRIPTION	QTY.	REMARKS
1	245079003	STEM NUT	2	
2	245079005	GROUNDING SPRING	1	
3	287053019	NUT - BODY	8	
4	245079009	STEM SPRING	2	Included in Maintenance Kit
5	278003003	GLAND	1	Included in Maintenance Kit
6	245079013	PACKING SUPPORT	1	Included in Maintenance Kit
7	245079015	TOP PACKING	1	
8	245079017	BOTTOM PACKING	1	
9	278003004	BODY CENTER	1	
10	278003005	BEARING - STEM	2	Included in Maintenance Kit
11	245079023	STEM	1	
12	245079025	BALL	1	
13	245079027	SUPPORT RING	2	
14	245079029	SEAT/SEAT SPRING	2	
15	245079031	ORING	2	Included in Maintenance Kit
16	278003006	FLANGE	2	
17	245079035	BODY STUD	1	
	245079039	KIT-MAINTENANCE	1	Includes Items 4 thru 6, 10 & 15
	278003001	VALVE - 1in 1500 PSI BRASS BALL	1	Includes All Items Listed Above

Water Pump Valve

Fig 12-03

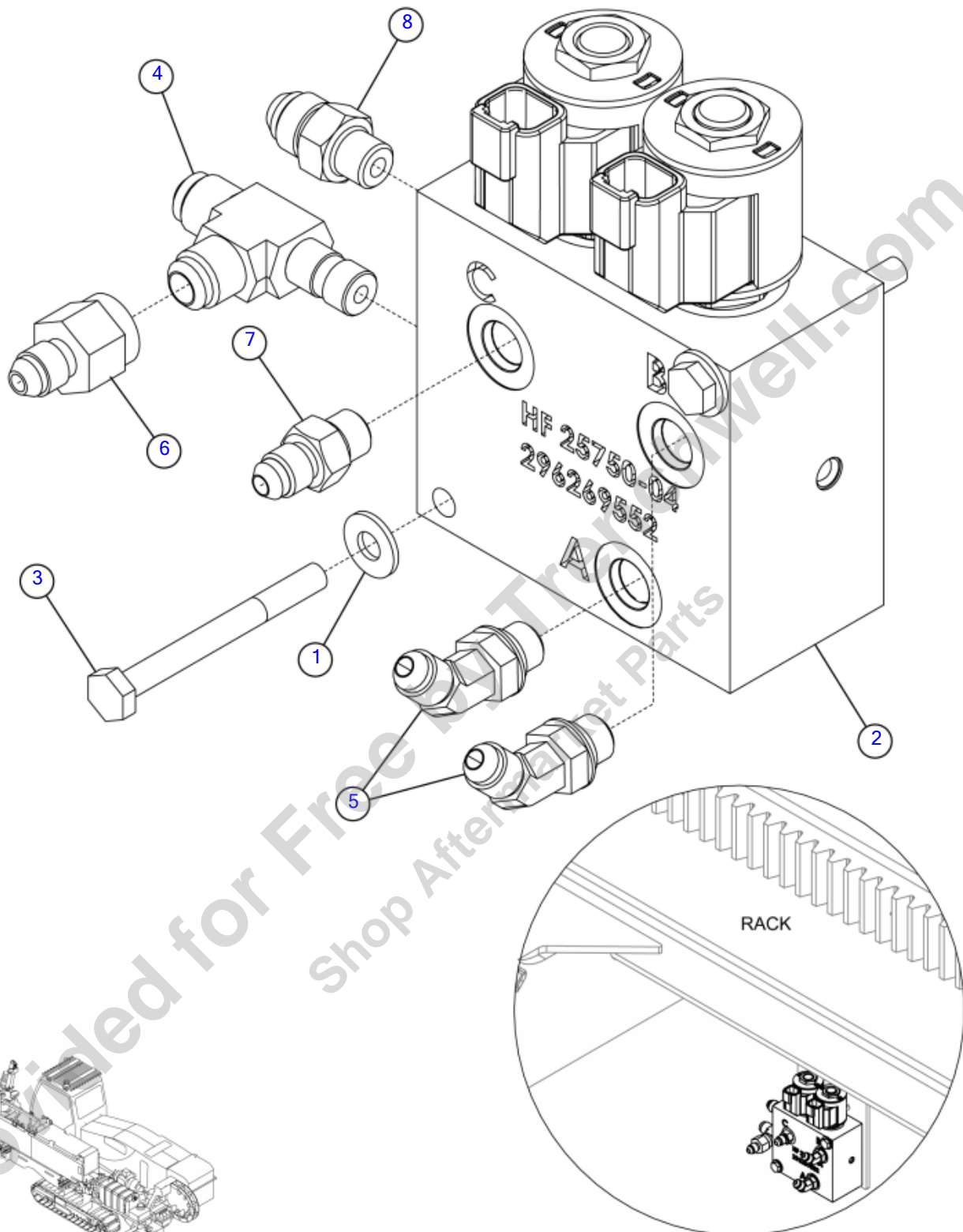


Illustration No. 296422840 - Not For Ordering

Water Pump Valve

Fig 12-03

REF NO.	PART NO.	DESCRIPTION	QTY.	REMARKS
1	235716001	WASHER - FLATSTRL - .25 -.28 X .63 - .06 - CZ	2	
2	296269552	VALVE -DIVERTER	1	Breakdown Fig. 12-3T01
3	510300024	SCREW-HCS-.25-20X2.50-GR5-YZ	2	
4	510510969	FITTING - RTEE - 6MJ - 4MORBA-6MJ	1	
5	58295001	FITTING-4M OR X 4M JIC 45 DEG.	2	
6	59928001	REDUCER-6F JICX4M JIC ST	1	
7	60908001	FITTING-4MX4M JIC STR ADAPTER	1	
8	65569001	FITTING STR 6MJ - 4MORB	1	

Provided for Free by Trenchwell.com
Shop Aftermarket Parts

Water Pump Valve (394-693)

Fig 12-03R01

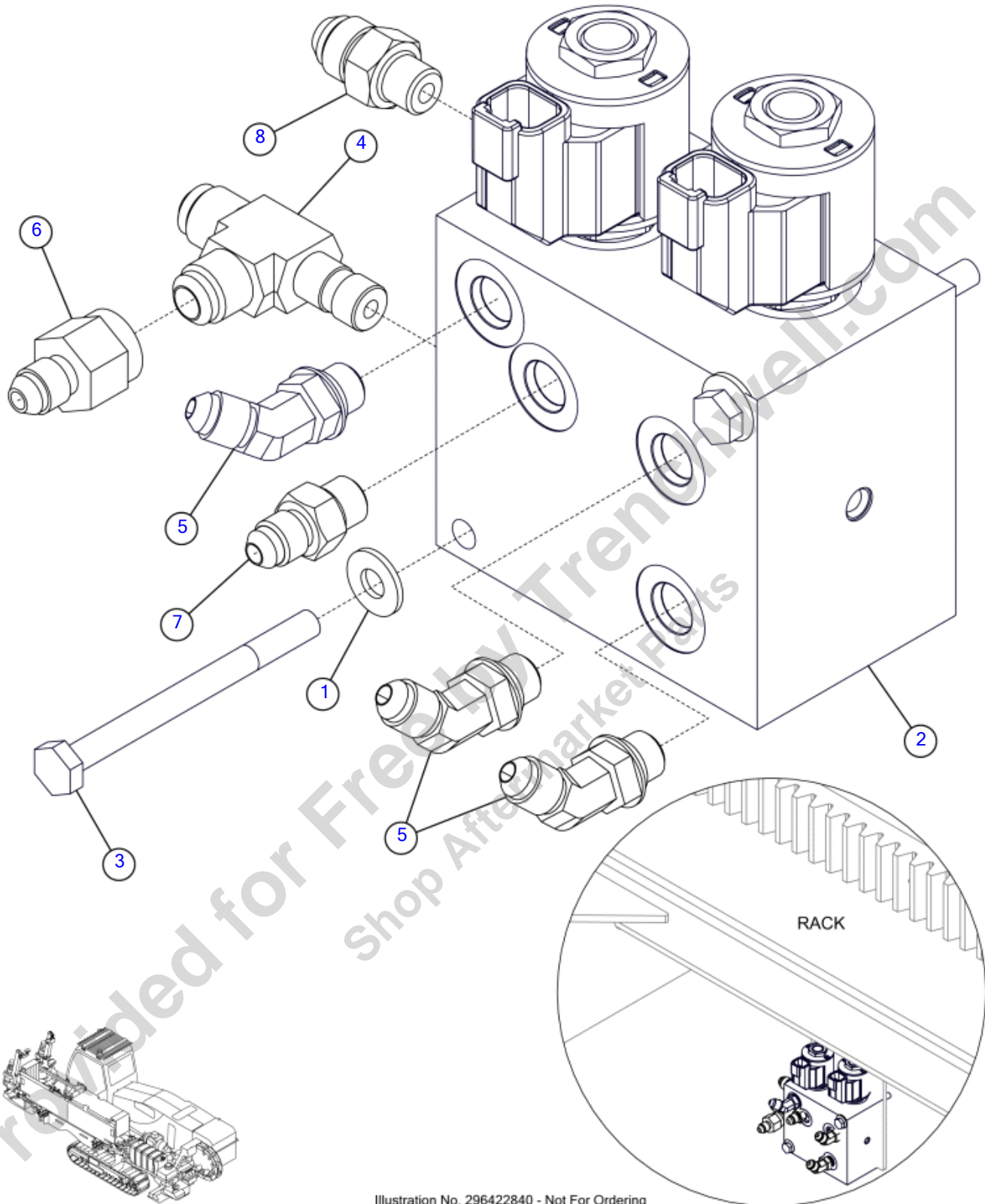


Illustration No. 296422840 - Not For Ordering

Water Pump Valve (394-693)

Fig 12-03R01

REF NO.	PART NO.	DESCRIPTION	QTY.	REMARKS
1	235716001	WASHER - FLATSTRL - .25 -.28 X .63 - .06 - CZ	2	
2	296463394	VALVE - HF SPEED SHIFT ON OFF VALVE	1	Breakdown Fig. 12-3T01 (394-)
3	510300030	SCREW-HCS-.25-20X3.00-GR5-YZ	2	
4	510510969	FITTING - RTEE - 6MJ - 4MORBA-6MJ	1	
5	58295001	FITTING-4M OR X 4M JIC 45 DEG.	3	
6	59928001	REDUCER-6F JICX4M JIC ST	1	
7	60908001	FITTING-4MX4M JIC STR ADAPTER	1	
8	65569001	FITTING STR 6MJ - 4MORB	1	

Provided for Free by Trenchwell.com
Shop Aftermarket Parts

Water Pump Valve (SN 694-)

Fig 12-03R02

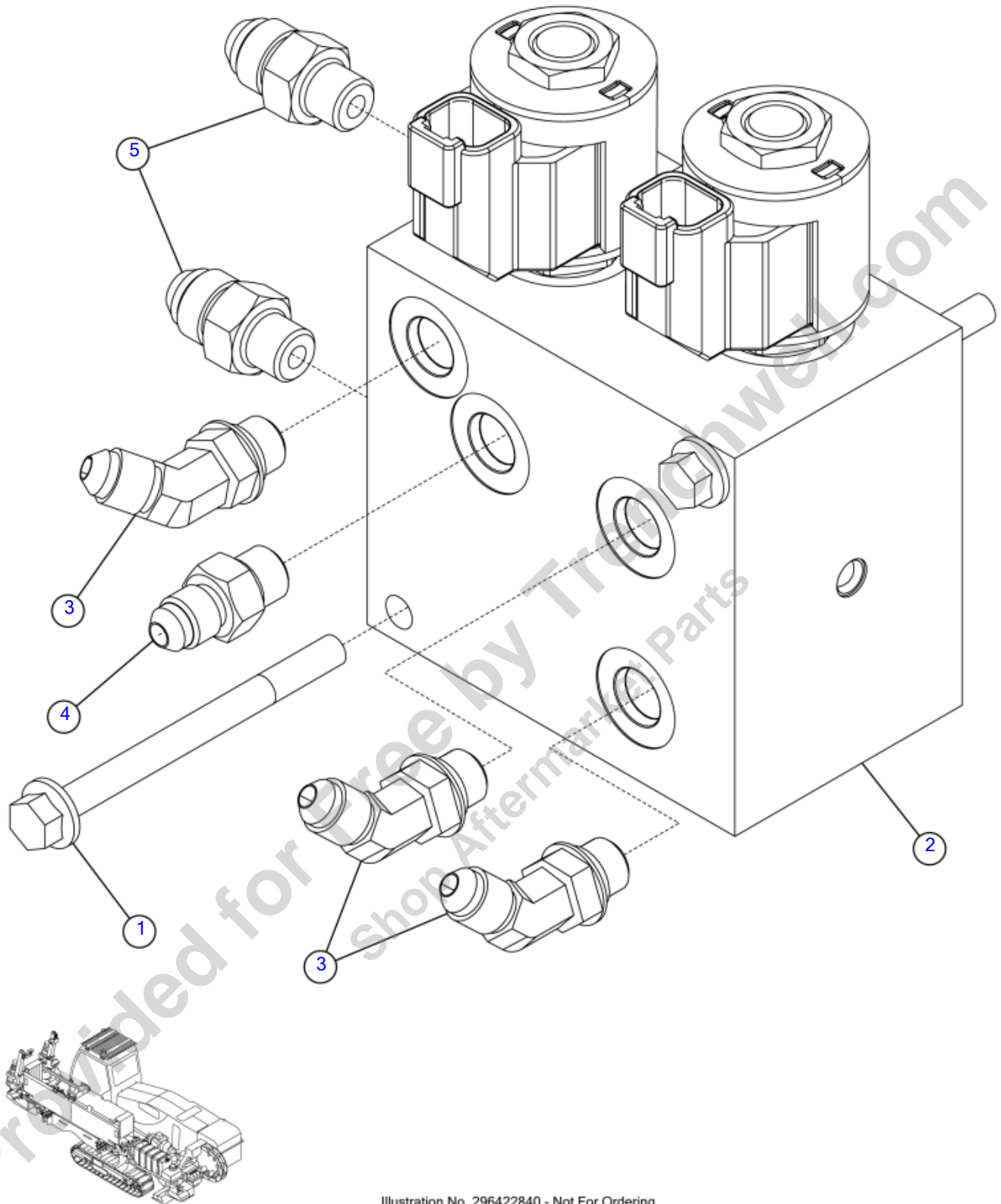


Illustration No. 296422840 - Not For Ordering

Water Pump Valve (SN 694-)

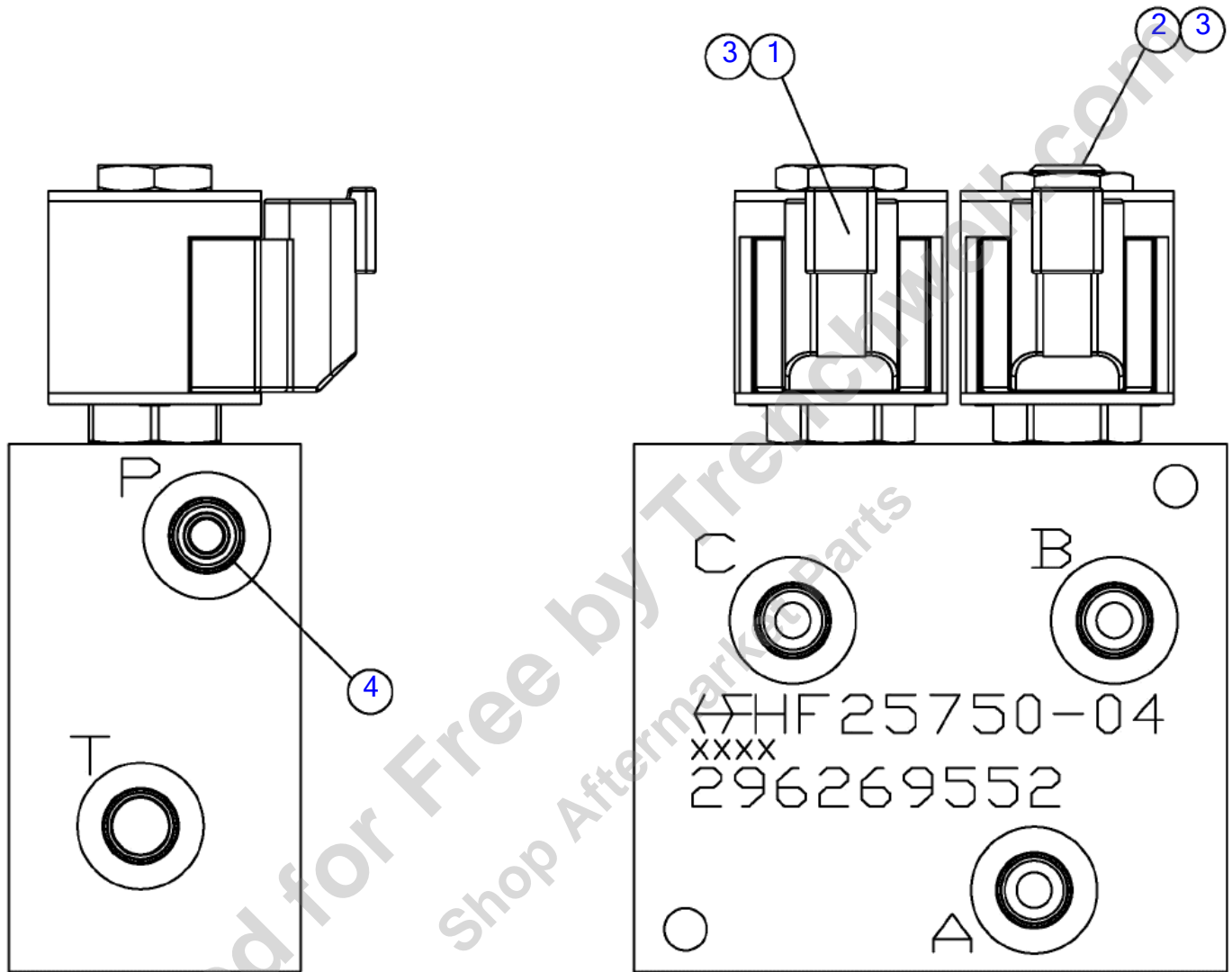
Fig 12-03R02

REF NO.	PART NO.	DESCRIPTION	QTY.	REMARKS
1	296300761	SCREW-HFS-.25-20X3.00-GR8-YZ	2	
2	296463394	VALVE - HF SPEED SHIFT ON OFF VALVE	1	Breakdown Fig. Breakdown Fig. 12-3T01 (394-)
3	58295001	FITTING-4M OR X 4M JIC 45 DEG.	3	
4	60908001	FITTING-4MX4M JIC STR ADAPTER	1	
5	65569001	FITTING STR 6MJ - 4MORB	2	

Provided for Free by Trenchwell.com
Shop Aftermarket Parts

Breakdown-Water Pump Valve

Fig 12-03T01



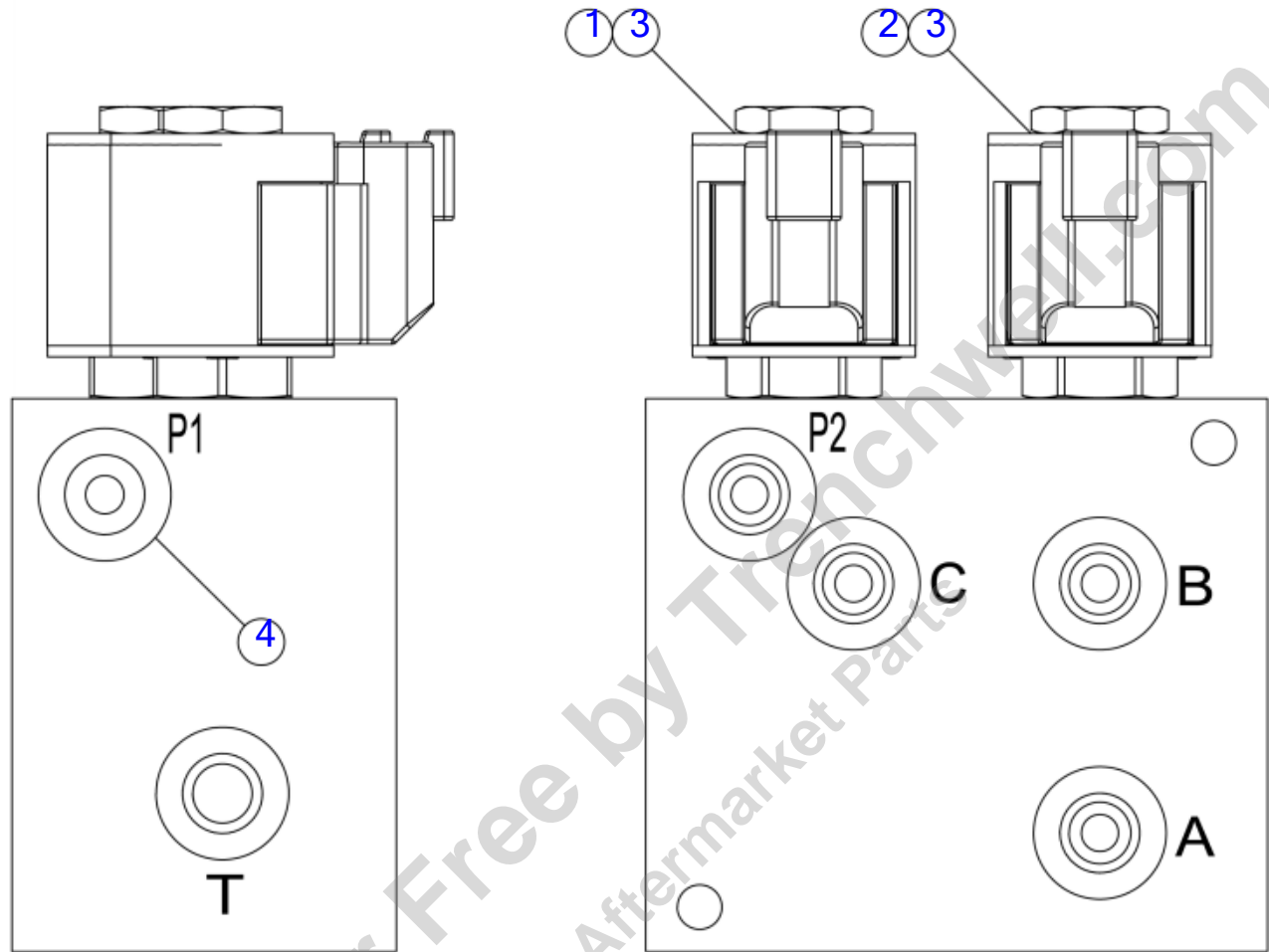
Breakdown-Water Pump Valve
Fig 12-03T01

REF NO.	PART NO.	DESCRIPTION	QTY.	REMARKS
1	228124017	CARTRIDGE SOLENOID	1	
1	161159001	SEAL KIT	1	
1	244725007	NUT - COIL	1	
2	234863005	CARTRIDGE	1	
2	244725011	SEAL KIT	1	
2	244725007	NUT - COIL	1	
3	296271115	COIL	2	
4	296251096	ORIFICE PLUG	1	
	278267015	PLUG	1	Not Shown
	296269552	VALVE -DIVERter	1	Includes All Items In Figure

Provided for Free by Trenchwell.com
Shop Aftermarket Parts

Breakdown-Water Pump Valve (394-)

Fig 12-03T01R01



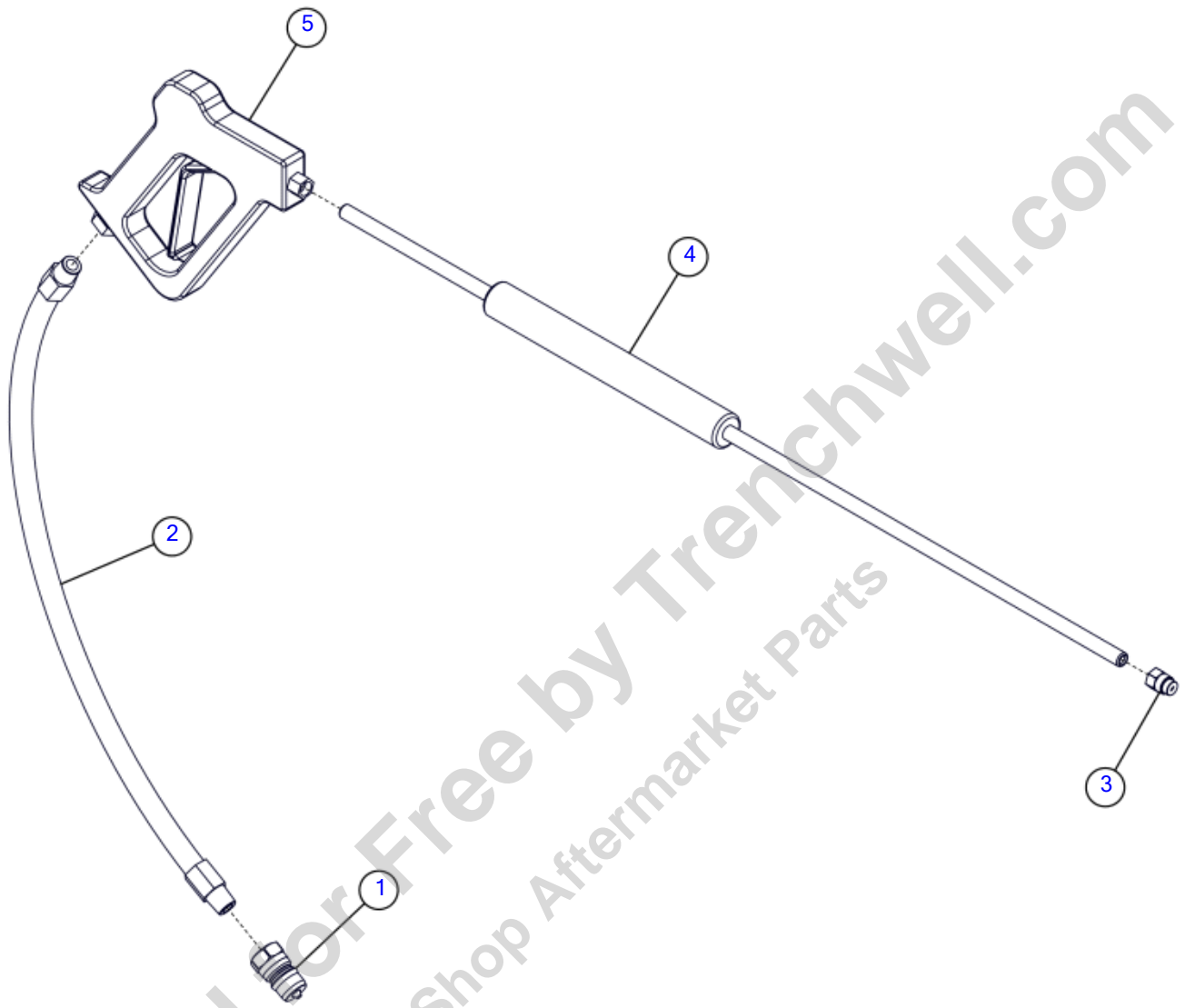
Breakdown-Water Pump Valve (394-)

Fig 12-03T01R01

REF NO.	PART NO.	DESCRIPTION	QTY.	REMARKS
1	228124017	CARTRIDGE SOLENOID	1	
1	244725007	NUT - COIL	1	
1	161159001	SEAL KIT	1	
2	234863005	CARTRIDGE .	1	
2	244725007	NUT - COIL	1	
2	244725011	SEAL KIT	1	
3	296271115	COIL	2	
4	296251096	ORIFICE PLUG	1	
	278267015	PLUG	2	Not Shown
	296463394	VALVE - HF SPEED SHIFT ON OFF VALVE	1	Includes All Items In Figure (394-)

Provided for Free by Trenchwell.com
Shop Aftermarket Parts

Wash Wand
Fig 12-04



Wash Wand
Fig 12-04

REF NO.	PART NO.	DESCRIPTION	QTY.	REMARKS
1	227236001	COUPLER - 1/2in NPT QUICK MALE	1	
2	282761001	HOSE-3/8X500 3/8MSNPT/1/2MNPT 100R2	1	Not Included Sold Separately
3	904576001	SPRAY NOZZLE	1	
4	904577001	MOLDED LANCE	1	
5	904578001	GUN HANDLE	1	
	240264001	WAND ASSY	1	Includes Ref. 1, 3 Thru 5

Provided for Free by Trenchwell.com
Shop Aftermarket Parts

50GPM FMC Water Pump (SN 101-693)

Fig 12-05

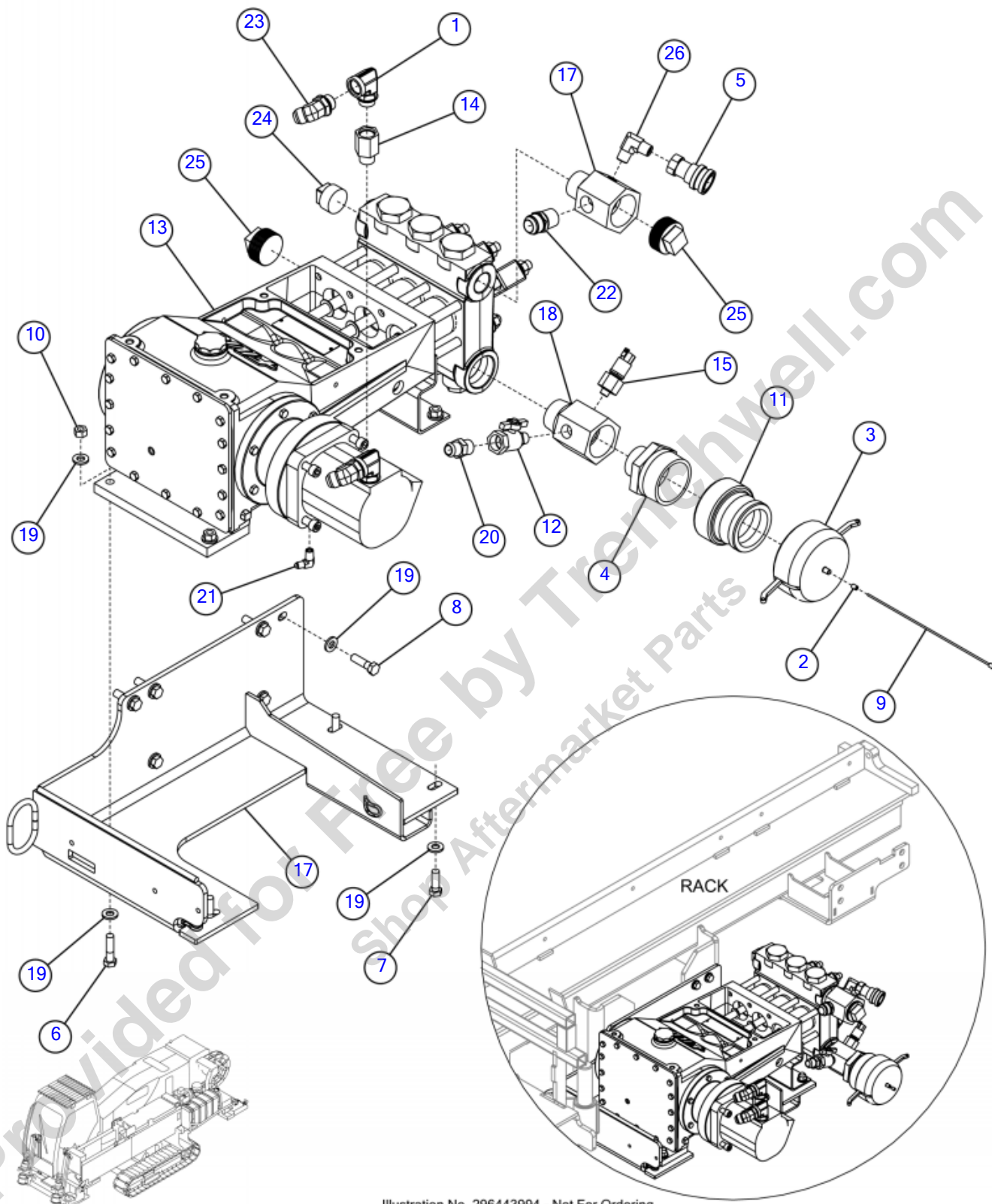


Illustration No. 296443994 - Not For Ordering

50GPM FMC Water Pump (SN 101-693)

Fig 12-05

REF NO.	PART NO.	DESCRIPTION	QTY.	REMARKS
1	111486001	FITTING-12M ORINGX12F ORING 90	2	
2	1838001	CONNECTOR-WIRE (ETC)	2	
3	215429001	CAP 3in CAM LOCK	1	
4	221506001	NIPPLE - REDUCING 3X2 MPT (POLY)	1	
5	227235001	COUPLER 1/2 in. NPT QUICK - FEMALE	1	
6	235718001	BOLT-1/2-13X2 GR8 HEX ZINC PLT	2	
7	235721001	BOLT-1/2-13X1 1/2 GR8 ZINC PLT	2	
8	240334001	SCREW-HCS-.50-13X1.75-GR8-YZ	6	
9	244069001	CABLE-3/32"X12" NYLON COATED	1	
10	250512001	NUT- 1/2 NC Gr8 TOP LOCK Y/ ZINC	4	
11	275759001	COUPLING 3in MTPT X 3in FPT - POLY	1	
12	275770001	VALVE - 3/4 MXF BALL W/T-HNDL	1	
13	278951001	PUMP - WATER WITH MOTOR	1	Breakdown Fig. 12-5T01 & 12-5T02
14	296280967	FITTING - STR 12 MORB - 12FORB LONG	1	
15	296394113	TRANSDUCER 100 PSI HYDAC W/BARRIER	1	
16	296422836	WELDMENT - PUMP SUPPORT	1	
17	296443772	FITTING - MUD PUMP OUTLET MANIFOLD MEDIUM NAV	1	
18	296443995	FITTING - MUD PUMP INLET MANIFOLD MEDIUM NAV FMC	1	
19	485025	WASHER-1/2 FLAT-HARDENED-YZ	14	
20	53836001	FITTING-3/4M PIPE #12M JIC ST.	1	
21	56647001	FITTING-1/4MX4M JIC 90 DEG.	1	
22	59269001	ADAPTER-1 NPTX16 JIC ST	1	
23	60718001	FITTING - 45 12MJ 12MORBA	2	
24	732015	PLUG-1 1/2" PIPE PLUG BLACK STEEL	1	
25	732019	FITTING 2" PIPE PLUG BLACK	2	
26	904831001	FITTING 1/2MNPT X 1/2MNPT 90	1	

50GPM FMC Water Pump (SN 694-)

Fig 12-05R01

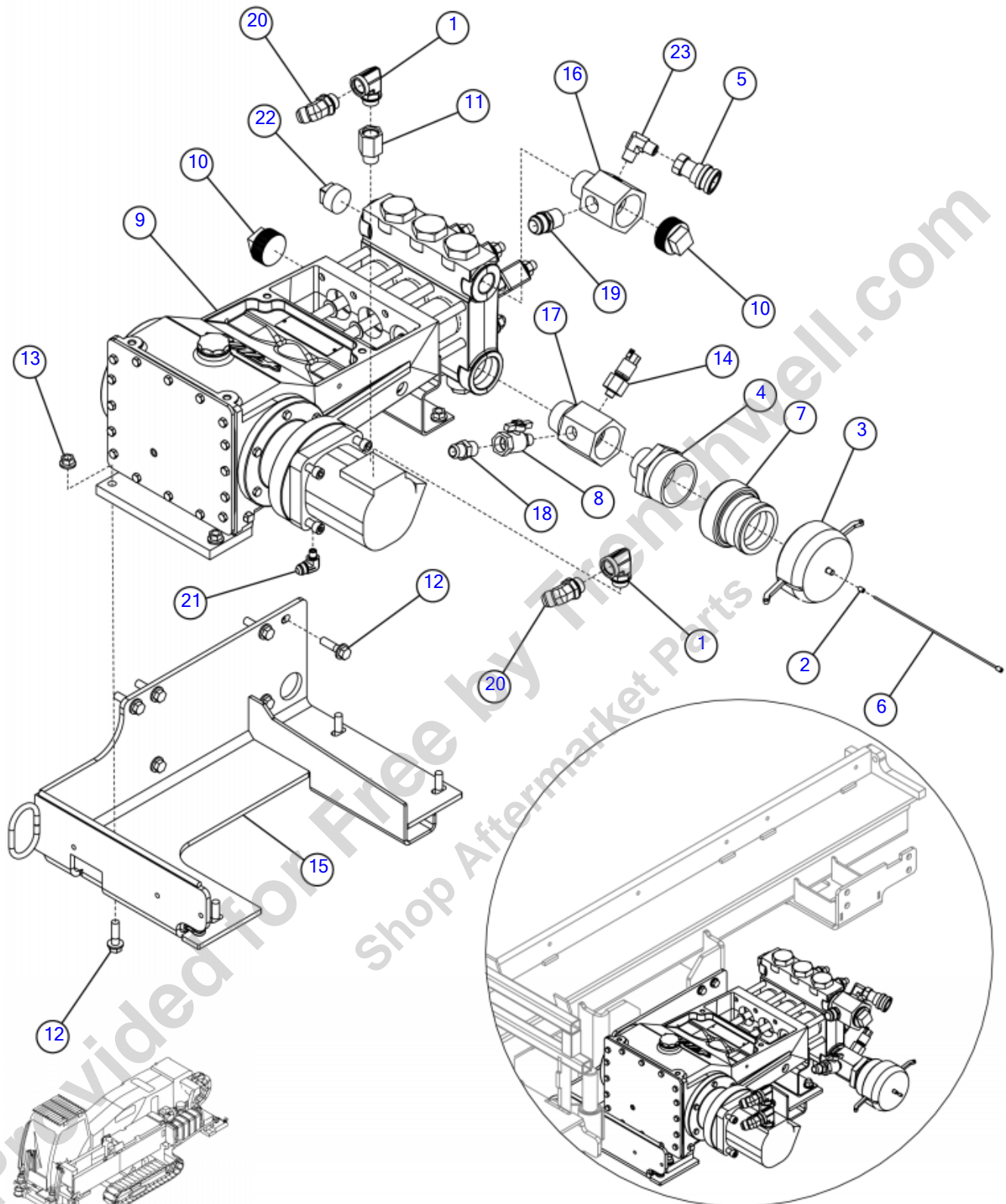


Illustration No. 296443994 - Not For Ordering

50GPM FMC Water Pump (SN 694-)

Fig 12-05R01

REF NO.	PART NO.	DESCRIPTION	QTY.	REMARKS
1	111486001	FITTING-12M ORINGX12F ORING 90	2	
2	1838001	CONNECTOR-WIRE (ETC)	2	
3	215429001	CAP 3in CAM LOCK	1	
4	221506001	NIPPLE - REDUCING 3X2 MPT (POLY)	1	
5	227235001	COUPLER 1/2 in. NPT QUICK - FEMALE	1	
6	244069001	CABLE-3/32"X12" NYLON COATED	1	
7	275759001	COUPLING 3in MTPT X 3in FPT - POLY	1	
8	275770001	VALVE - 3/4 MXF BALL W/T-HNDL	1	
9	278951001	PUMP - WATER WITH MOTOR	1	Breakdown Fig, 12-5T01 & 12-5T02
10	296258568	FITTING - PLUG - 32MNPT - SQ - GALV	2	
11	296280967	FITTING - STR 12 MORB - 12FORB LONG	1	
12	296300791	SCREW-HFS-.50-13X1.75-GR8-YZ	10	
13	296300851	NUT-HEXFLGTL-.50-13-G-YZ	4	
14	296394113	TRANSDUCER 100 PSI HYDAC W/BARRIER	1	
15	296422836	WELDMENT - PUMP SUPPORT	1	
16	296443772	FITTING - MUD PUMP OUTLET MANIFOLD MEDIUM NAV	1	
17	296443995	FITTING - MUD PUMP INLET MANIFOLD MEDIUM NAV FMC	1	
18	53836001	FITTING-3/4M PIPE-#12M JIC ST.	1	
19	59269001	ADAPTER-1 NPTX16 JIC ST	1	
20	60718001	FITTING - 45 12MJ 12MORBA	2	
21	67216001	FITTING-90-8MJ-4MNPT	1	
22	732015	PLUG-1 1/2" PIPE PLUG BLACK STEEL	1	
23	904831001	FITTING 1/2MNPT X 1/2MNPT 90	1	

Breakdown - Power Section

Fig 12-05T01

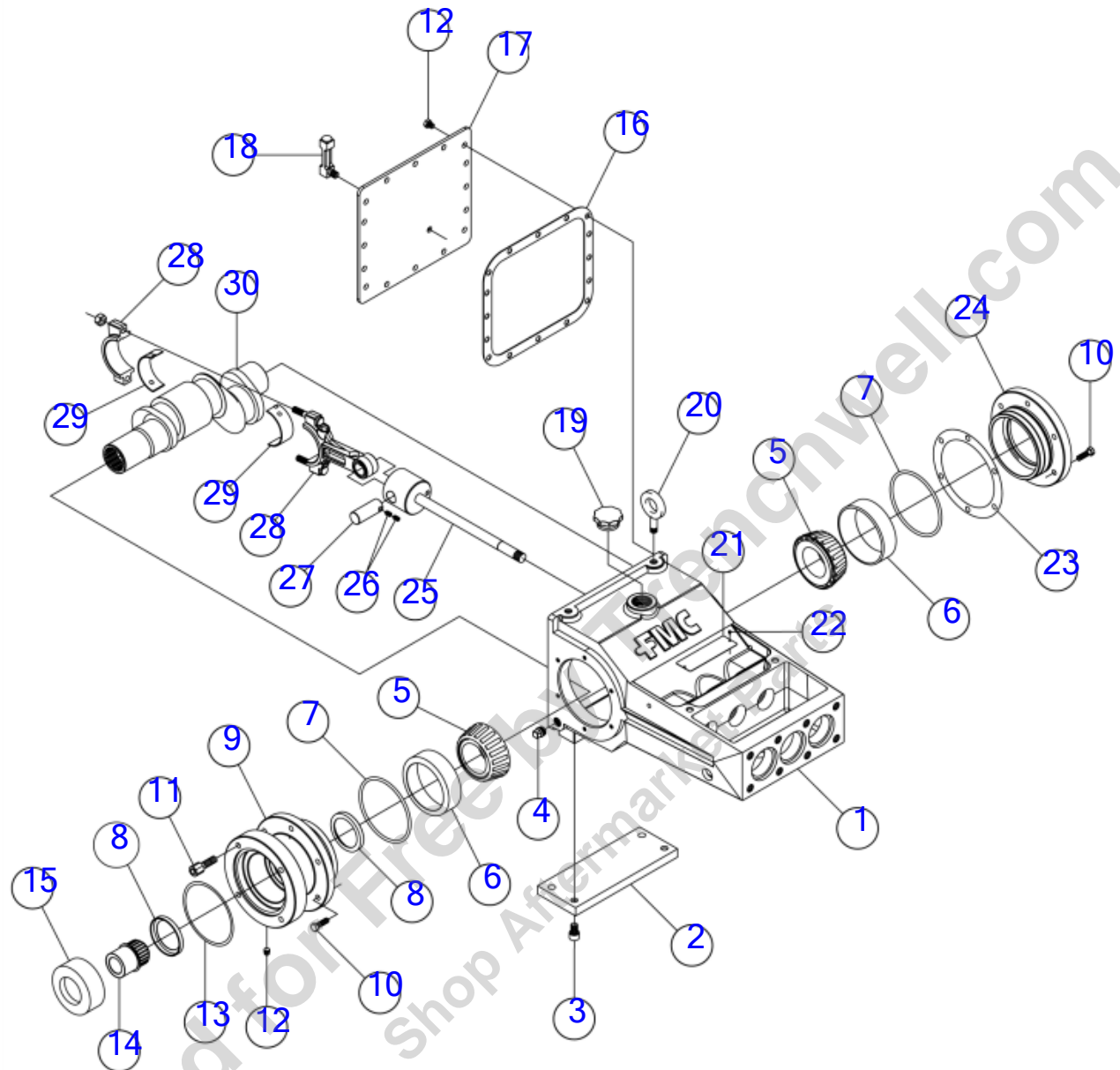


Illustration No. 278951001 - Not For Ordering

Breakdown - Power Section

Fig 12-05T01

REF NO.	PART NO.	DESCRIPTION	QTY.	REMARKS
1	278882002	PUMP CASE	1	
2	278882035	REAR FOOT	1	
3	278882034	SOCKET HEAD CAP SCREW	2	
4	734001	PLUG-1/2" MAGNETIC	2	
4	(276521047)	PLUG -1/2" PIPE, MAG	2	
5	278882008	BEARING CONE	2	
6	278882009	BEARING CUP	2	
7	278882007	O-RING - UNIFORM #160	2	
8	278882017	SEAL	2	
9	278882004	BEARING HOUSING	1	
10	296272970	SCREW-HEX HD CAP 3/8-16 X 1-1/4-GR R-C/Z	12	
10	(228460003)	3/8-16 X 1 1/4 HEX HD CAPSCREW	12	
11	278882027	SOCKET HEAD CAP SCREW	4	
12	278882039	CAPSCREW - 3/8-16 X 3/4 LG HEX HEAD	16	
13	278882025	ORING	1	
14	278882022	CROSS OVER SUB	1	
15	278882026	BEARING SLEEVE	1	
16	278882013	GASKET COVER	1	
17	278882037	BACK COVER	1	
18	278882032	LIQUID LEVEL GAUGE	1	
19	276521025	OIL CAP	1	
20	278882027	SOCKET HEAD CAP SCREW	4	
21		NAME PLATE	1	Not Sold Separately
22	248507009	SCREW - #4 X 3/16" LG SELF - TAPPING	2	
23	278882012	SHIM	A/R	
24	278882006	BEARING HOUSING	1	
25	278882021	CROSS HEAD ASSEMBLY	3	
26	278882019	SET SCREW	6	
27	278882010	WRIST PIN	3	
28	278882005	CONNECTING ROD	3	
29	278882016	SHELL BEARING (PAIR)	6	
30	278882003	CRANK SHAFT	1	
	278951001	PUMP - WATER WITH MOTOR		Includes All Items In Figure

Breakdown - Fluid Section
Fig 12-05T02

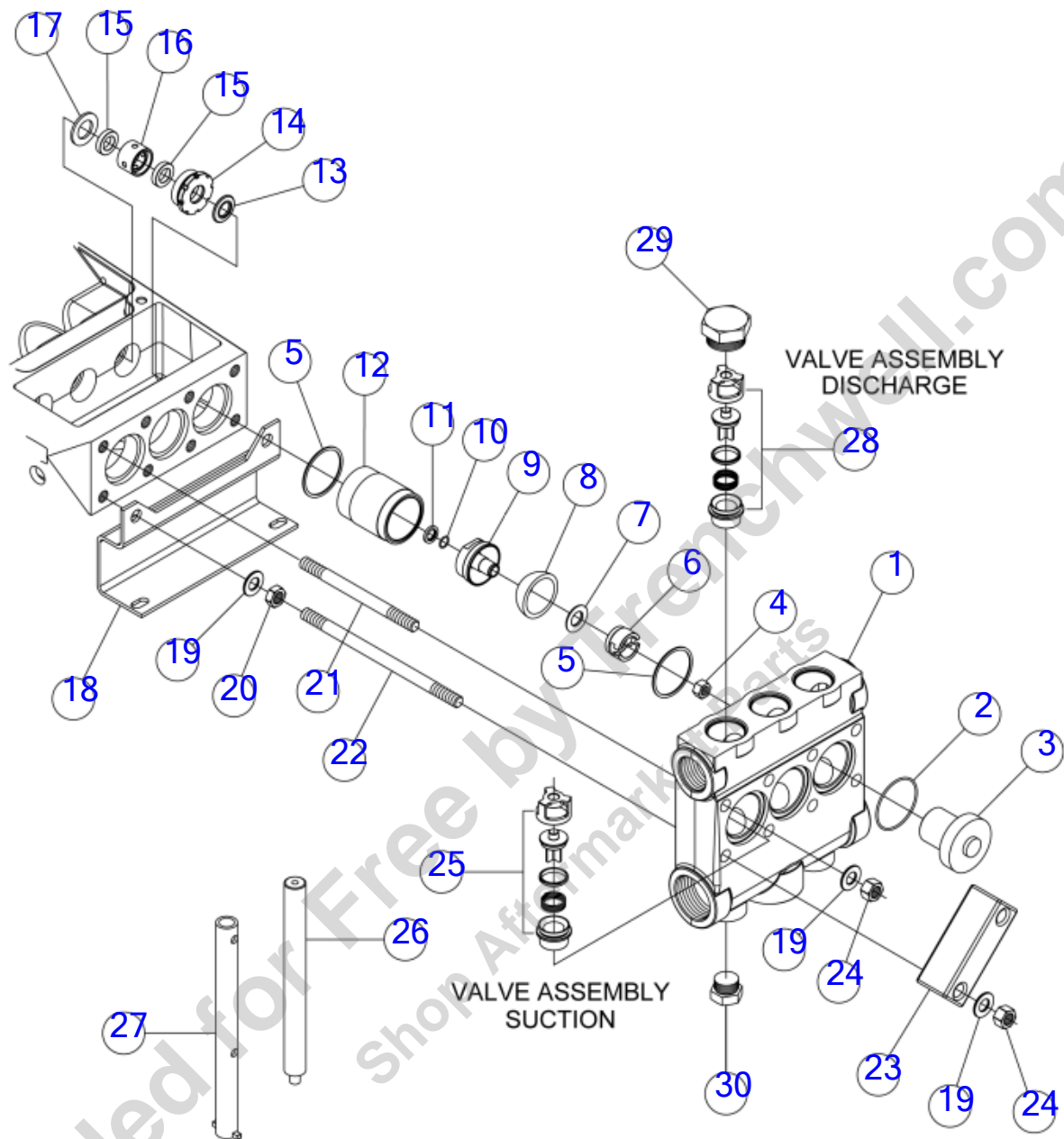


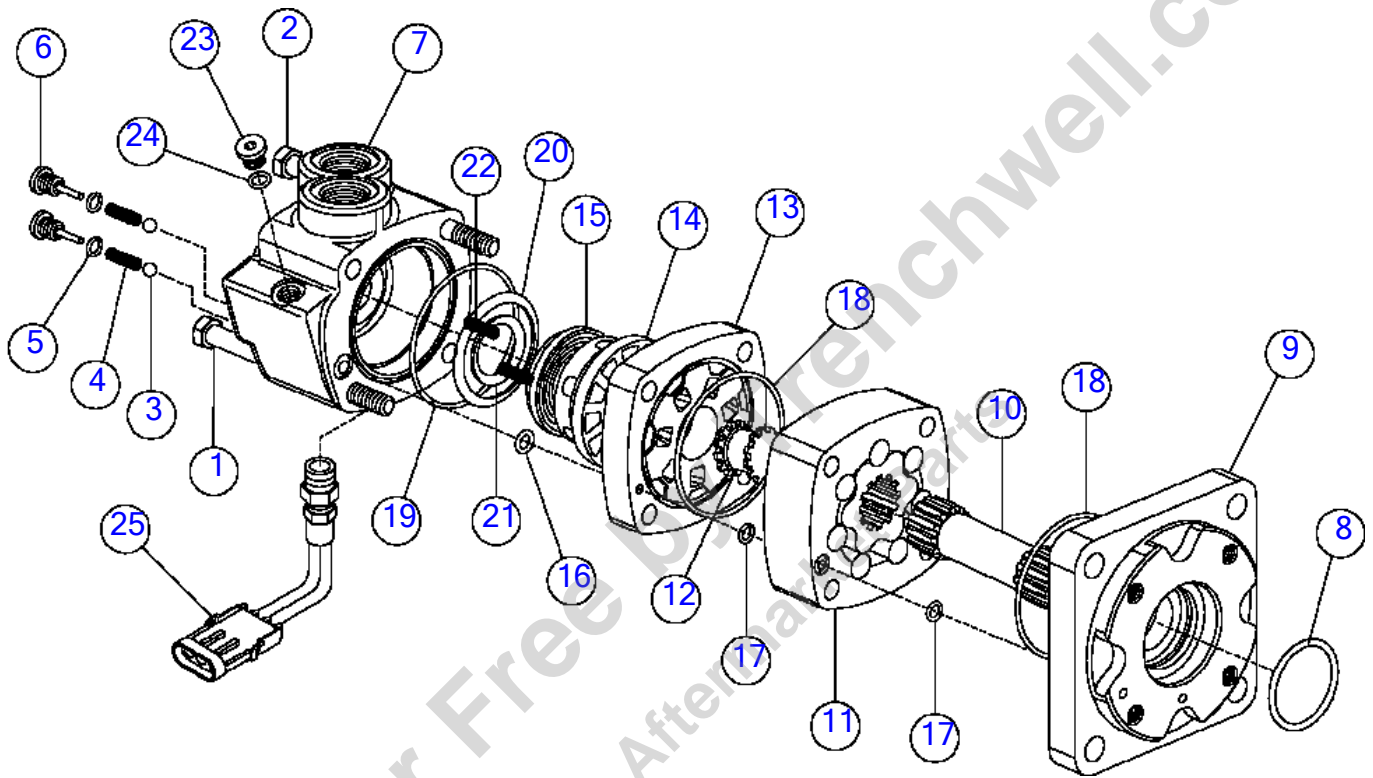
Illustration No. 278951001-Not For Ordering

Breakdown - Fluid Section

Fig 12-05T02

REF NO.	PART NO.	DESCRIPTION	QTY.	REMARKS
1	240141005	FLUID CYLINDER	1	
2	225946021	O-RING .	3	
3	228460027	CYLINDER COVER	3	
4	228460023	HEX NUT-SPECIAL BRASS	2	
5	904540105	GASKET	6	
6	240141011	PISTON NUT	3	
7	240141015	PISTON WASHER	3	
8	278882024	PISTON CUP	3	
9	278882029	PISTON HOLDER	3	
10	228460029	ORING 0.489in ID X 0.070in CS 70 DURO	3	
11	240141009	SEAL HOLDER	3	
12	278882028	PISTON CYLINDER	3	
13	904540049	WASHER BARRIER	3	
14	278882018	ROD SEAL RETAINER	3	
15	904540035	OIL SEAL	6	
16	278882015	SLEEVE	3	
17	278882020	WASHER PACKING	3	
18	278882031	FRONT FOOT	1	
19	485015	WASHER-5/8 FLAT	10	
19	(904540061)	WASHER-5/8	10	
20	278882033	JAM NUT	2	
21	904540057	STUD-SHORT	2	
22	278882030	STUD	6	
23	904540059	CLAMP-COVER	3	
24	428001	NUT-5/8 NC HEX	8	
24	(904540063)	NUT- 5/8-11	8	
25	225946033	VALVE ASSEMBLY-SUCTION	3	
26	240141017	TOOL - VALVE INSTALLATION	1	
27	240141019	TOOL - PISTON CUP REMOVAL	1	
28	225946025	VALVE ASSEMBLY-DISCHARGE	3	
29	225946011	PLUG-1 7/8-12 UN-2A	3	
30	225976017	GASKET-EPDM	3	
	278951001	PUMP - WATER WITH MOTOR		Includes All Items In Figure

Breakdown-FMC 50 GPM Motor
Fig 12-05T03



Breakdown-FMC 50 GPM Motor

Fig 12-05T03

REF NO.	PART NO.	DESCRIPTION	QTY.	REMARKS
1	13514027	BOLT-14386-007	3	
2	13514025	BOLT-14386-009	1	
3	224408035	BALL	2	
4	224408037	SPRING	2	
5	4485011	O-RING-250003-903 (90D) 5/16" ID X 7/16" OD	2	
6	224408039	PLUG/O-RING S/A	2	
7	251106007	HOUSING - VALVE	1	
8	215338003	SEAL	1	
9	251106003	FLANGE - MOUNTING	1	
10	217192005	DRIVE	1	
11		GEROLER	1	Not Sold Separately
12	600076019	VALVE	1	
13	600076017	PLATE - VALVE	1	
14	600076021	VALVE	1	
15	53853017	BALANCE RING&PINS 21316CHARLYN	1	
16	4485011	O-RING-250003-903 (90D) 5/16" ID X 7/16" OD	2	
17	215338009	SEAL	2	
18	13514033	SEAL 3 1/2" (O-RING)	2	
19	775049	SEAL-9022-007	1	
20	775041	SEAL-OUTER FACE 6962	1	
21	775043	SEAL-FACE INNER 6961	1	
22	296285075	SPRING - COMPRESSION	2	
22	(224408017)	SPRING	2	
23	296278016	PLUG - #4 EPCO	1	
23	(120872025)	HEX PLUG	1	
24	1749025	SEAL ORING 15007 90D	1	
25	251106009	SPEED PICKUP - ELECTRONIC	1	
	251106005	SEAL KIT		Includes Items 5, 16, 17, 19 thru 21 & 24
	251106001	MOTOR -12.5 CID 4000 SERIES HY		Includes All Items Listed Above

Water Shut Off-NON Mud Pump

Fig 12-06

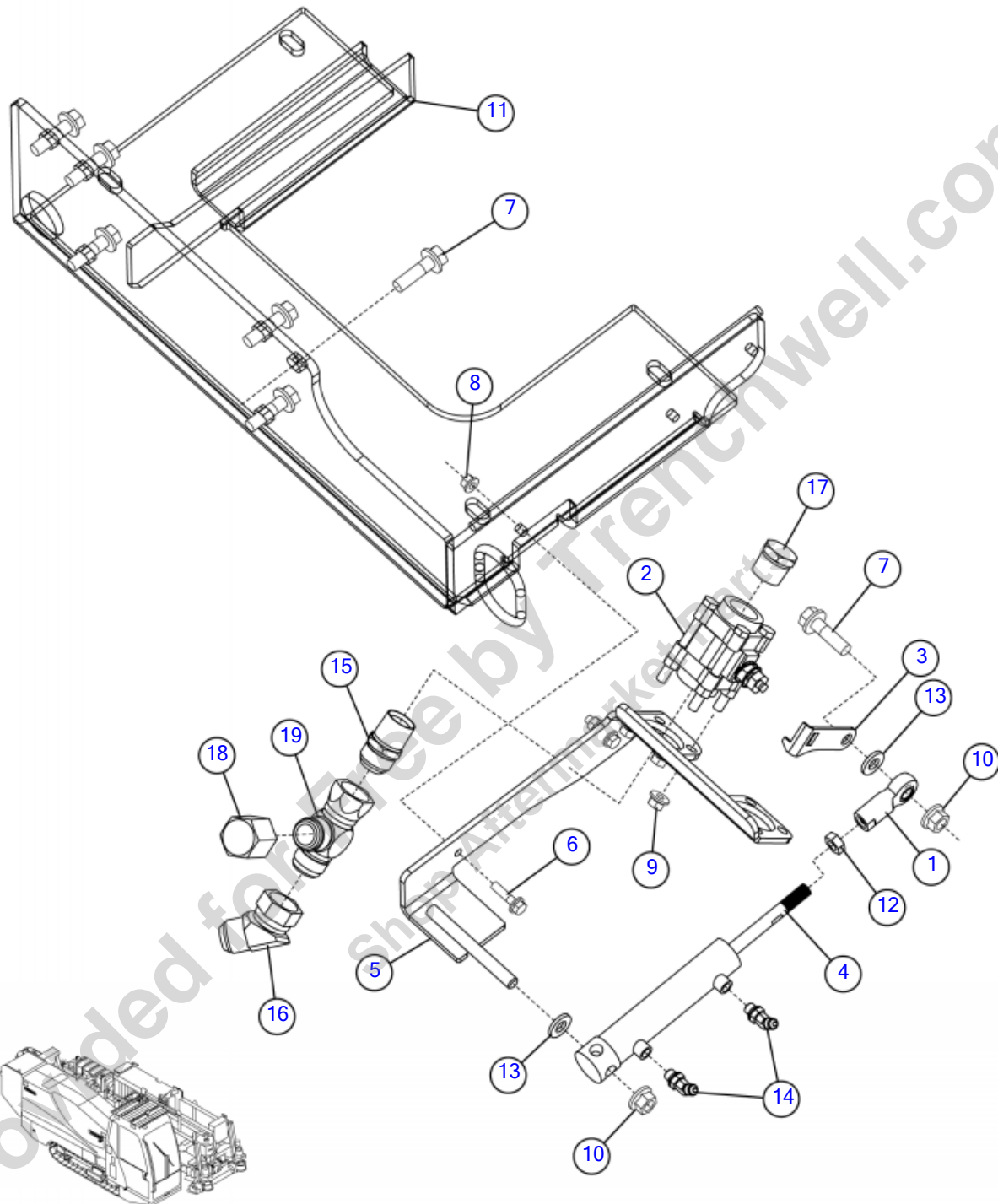


Illustration No. 296469652 - Not For Ordering

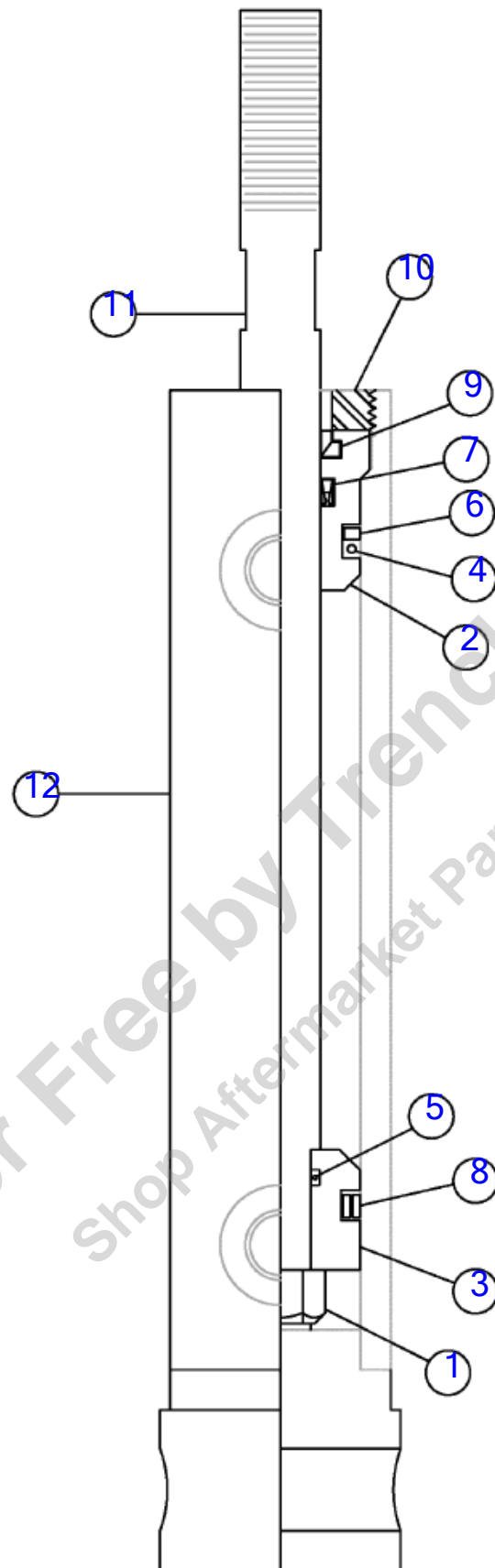
Water Shut Off-NON Mud Pump

Fig 12-06

REF NO.	PART NO.	DESCRIPTION	QTY.	REMARKS
1	224291001	BALL JOINT-1/2-20 FEMALE THDS.	1	
2	278003001	VALVE - 1in 1500 PSI BRASS BALL	1	Breakdown Fig. 12-6T02
3	296275324	ARM - LEVER	1	
4	296285658	CYLINDER 1 X 3-1/2	1	Breakdown Fig. 12-6T01
5	296294636	WATER VALVE SUPPORT	1	
6	296300764	SCREW-HFS-.31-18X1.25-GR8-YZ	2	
7	296300791	SCREW-HFS-.50-13X1.75-GR8-YZ	7	
8	296300849	NUT-HEXFLGTL-.31-18-G-YZ	2	
9	296300850	NUT-HEXFLGTL-.38-16-G-YZ	4	
10	510352501	NUT-SMFLGCTRLOCK - .50-13-G-YZ	2	
10	(296300851)	NUT-HEXFLGTL-.50-13-G-YZ	2	
11	296422836	WELDMENT - PUMP SUPPORT	1	
12	3888001	NUT-1/2 N.F. HEX JAM	1	
13	485025	WASHER-1/2 FLAT-HARDENED-YZ	2	
14	58295001	FITTING-4M OR X 4M JIC 45 DEG.	2	
15	59269001	ADAPTER-1 NPTX16 JIC ST	1	
16	61702001	FITTING-16M JIC X 16FS JIC 45	1	
17	73120001	FITTING-1"HEX HEAD PIPE PLUG	1	
18	77141001	FITTING-CAP NUT 16F JIC	1	
19	77155001	FITTING RTEE 16MJ 16FSJ 16MJ	1	

Breakdown-Water Shut-Off Cylinder

Fig 12-06T01



Breakdown-Water Shut-Off Cylinder

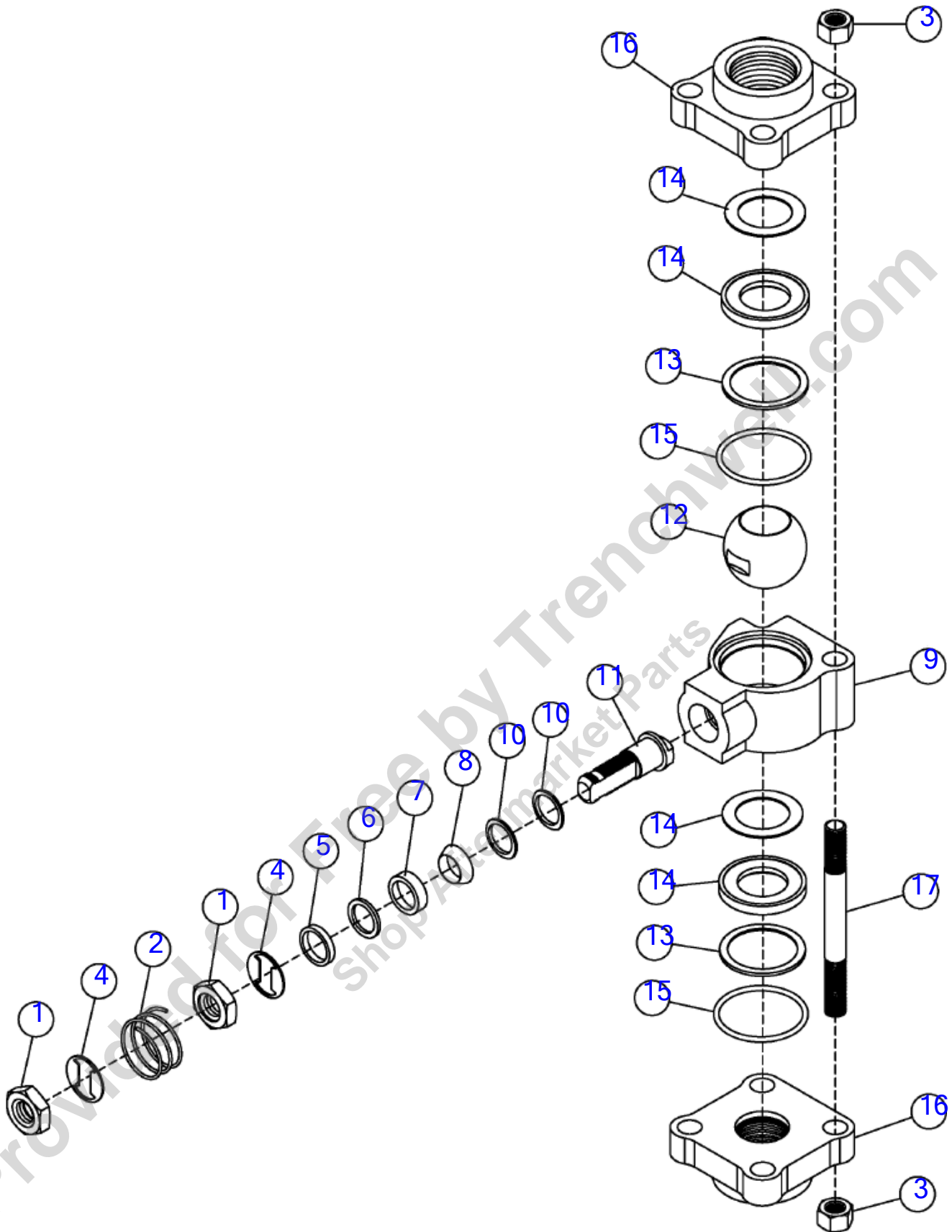
Fig 12-06T01

REF NO.	PART NO.	DESCRIPTION	QTY.	REMARKS
1		NUT	1	Not Sold Separately
2		HEAD	1	Not Sold Separately
3		PISTON	1	Not Sold Separately
4		O-RING	1	Included in Seal Kit - Not Sold Separately
5		O-RING	1	Included in Seal Kit - Not Sold Separately
6		BACKUPS	3	Included in Seal Kit - Not Sold Separately
7		BS SEAL	1	Included in Seal Kit - Not Sold Separately
8		PSP SEAL	1	Included in Seal Kit - Not Sold Separately
9		DUST SEAL	1	Included in Seal Kit - Not Sold Separately
10		COLLAR	1	Not Sold Separately
11	296285210	SHAFT	1	
12		BARREL WITH CLEVIS AND PORTS	1	Not Sold Separately
	296285211	SEAL KIT	1	includes Items 4 thru 9
	296285658	CYLINDER 1 X 3-1/2	1	Includes All Items Listed Above

Provided for Free by Trenchwell.com
Shop Aftermarket Parts

Breakdown-Water Shut-Off Ball Valve

Fig 12-06T02



Breakdown-Water Shut-Off Ball Valve
Fig 12-06T02

REF NO.	PART NO.	DESCRIPTION	QTY.	REMARKS
1	245079003	STEM NUT	2	
2	245079005	GROUNDING SPRING	1	
3	287053019	NUT - BODY	8	
4	245079009	STEM SPRING	2	Included in Maintenance Kit
5	278003003	GLAND	1	Included in Maintenance Kit
6	245079013	PACKING SUPPORT	1	Included in Maintenance Kit
7	245079015	TOP PACKING	1	
8	245079017	BOTTOM PACKING	1	
9	278003004	BODY CENTER	1	
10	278003005	BEARING - STEM	2	Included in Maintenance Kit
11	245079023	STEM	1	
12	245079025	BALL	1	
13	245079027	SUPPORT RING	2	
14	245079029	SEAT/SEAT SPRING	2	
15	245079031	ORING	2	Included in Maintenance Kit
16	278003006	FLANGE	2	
17	245079035	BODY STUD	1	
	245079039	KIT-MAINTENANCE	1	Includes Items 4 thru 6, 10 & 15
	278003001	VALVE - 1in 1500 PSI BRASS BALL	1	Includes All Items Listed Above

NON Water Pump Valve

Fig 12-07

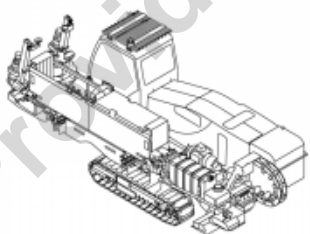
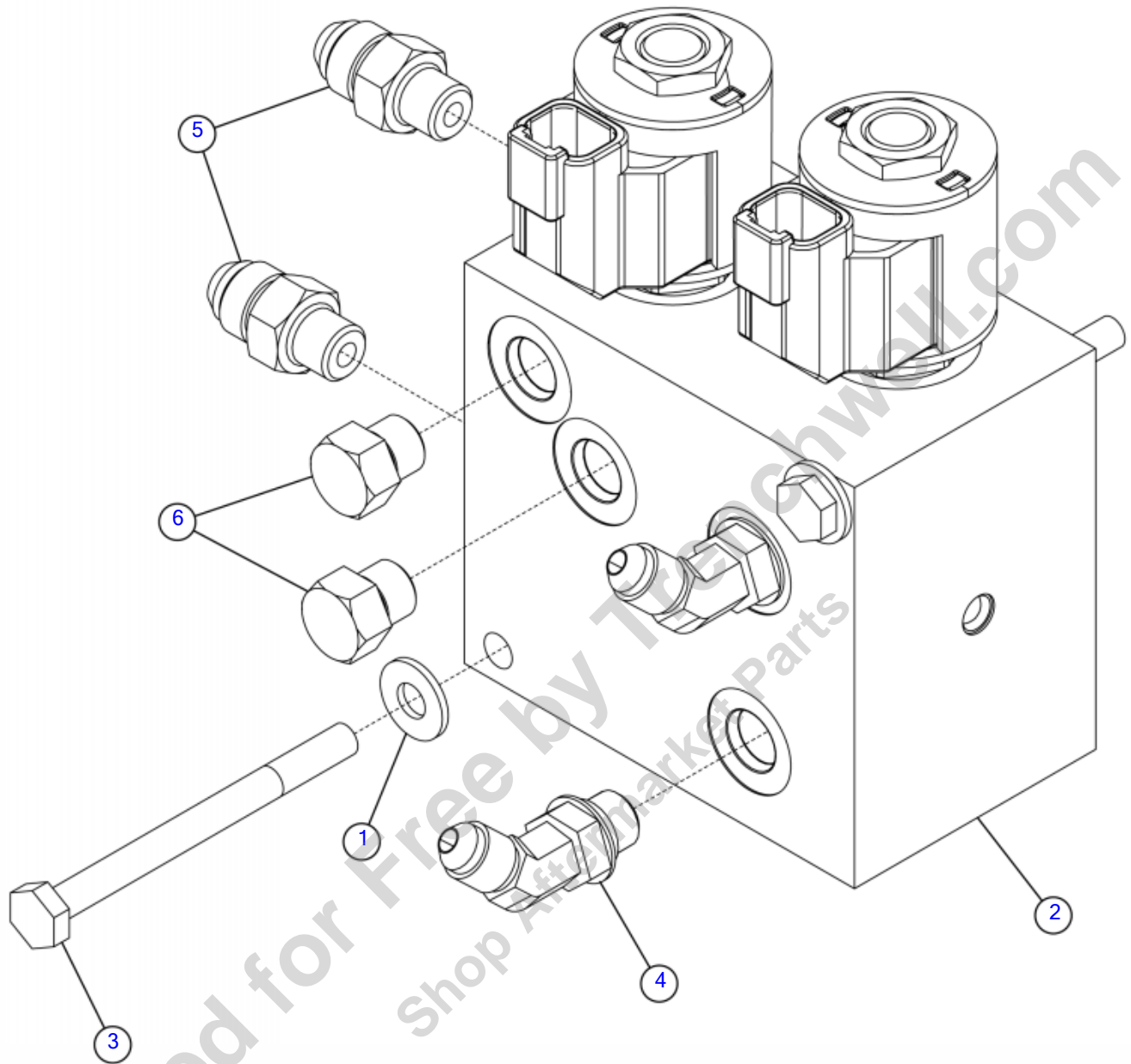


Illustration No. 296469651 - Not For Ordering

NON Water Pump Valve

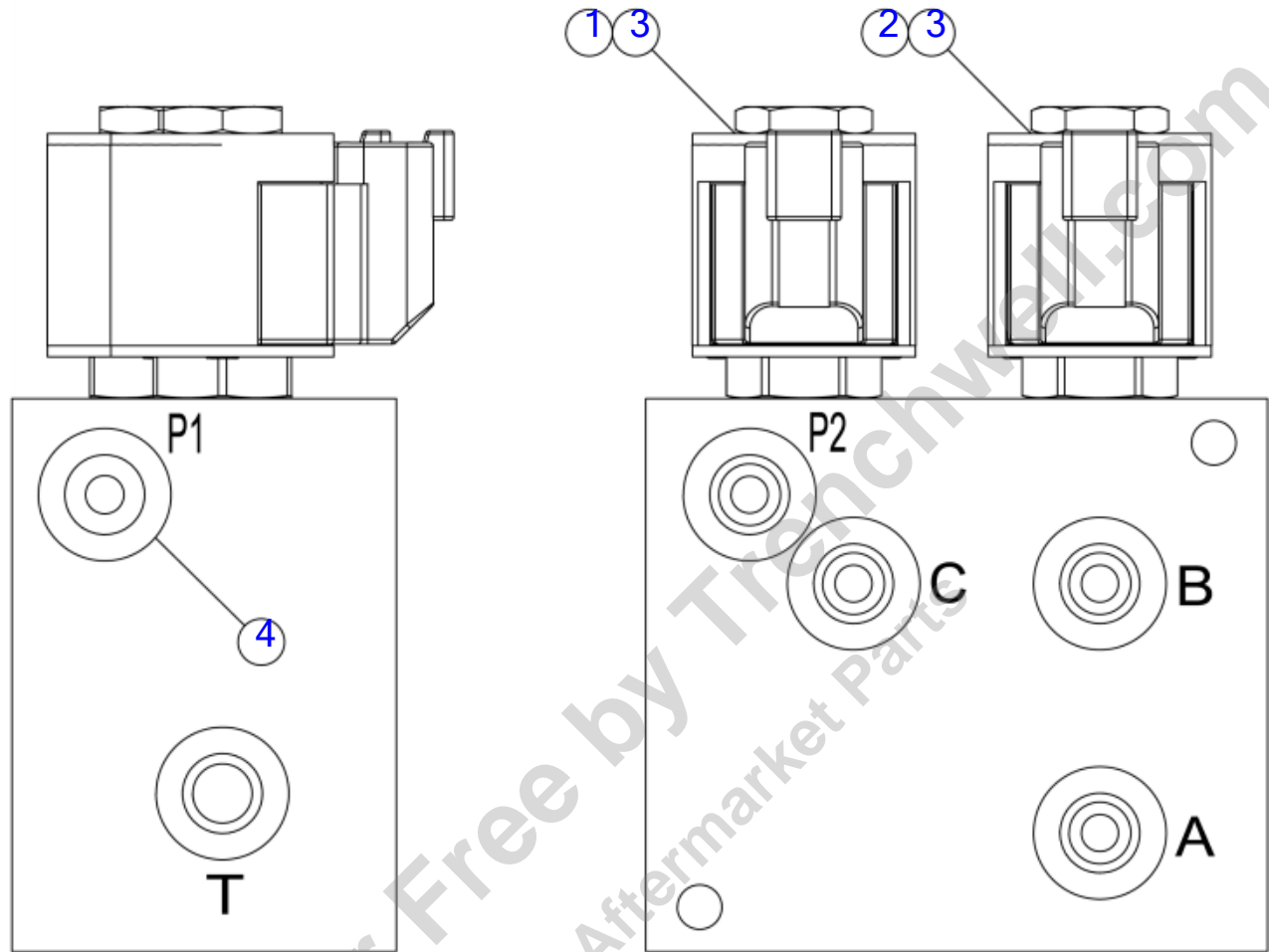
Fig 12-07

REF NO.	PART NO.	DESCRIPTION	QTY.	REMARKS
1	235716001	WASHER - FLATSTRL - .25 -.28 X .63 - .06 - CZ	2	
2	296463394	VALVE - HF SPEED SHIFT ON OFF VALVE	1	Breakdown Fig. 12-7T01
3	510300030	SCREW-HCS-.25-20X3.00-GR5-YZ	2	
4	58295001	FITTING-4M OR X 4M JIC 45 DEG.	2	
5	65569001	FITTING STR 6MJ - 4MORB	2	
6	67263001	FITTING - PLUG - 4MORB - HEX	2	

Provided for Free by Trenchwell.com
Shop Aftermarket Parts

Breakdown-Water Pump Valve

Fig 12-07T01



Breakdown-Water Pump Valve

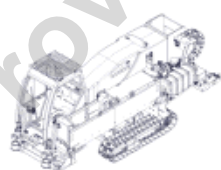
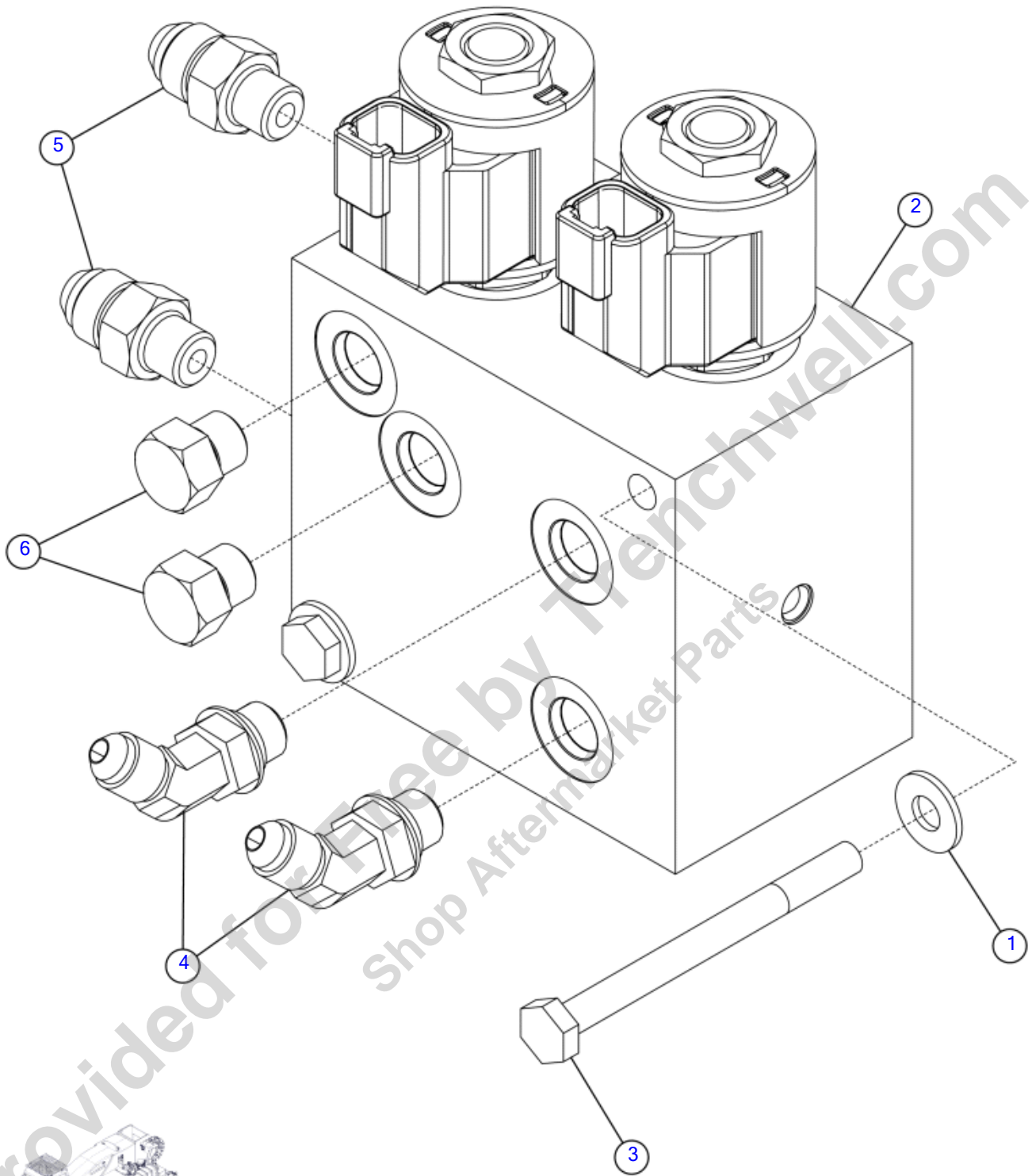
Fig 12-07T01

REF NO.	PART NO.	DESCRIPTION	QTY.	REMARKS
1	228124017	CARTRIDGE SOLENOID	1	
1	244725007	NUT - COIL	1	
1	161159001	SEAL KIT	1	
2	234863005	CARTRIDGE .	1	
2	244725007	NUT - COIL	1	
2	244725011	SEAL KIT	1	
3	296271115	COIL	2	
4	296251096	ORIFICE PLUG	1	
	278267015	PLUG	2	Not Shown
	296463394	VALVE - HF SPEED SHIFT ON OFF VALVE	1	Includes All Items In Figure (394-)

Provided for Free by Trenchwell.com
Shop Aftermarket Parts

NON Water Pump Valve

Fig 12-08



NON Water Pump Valve

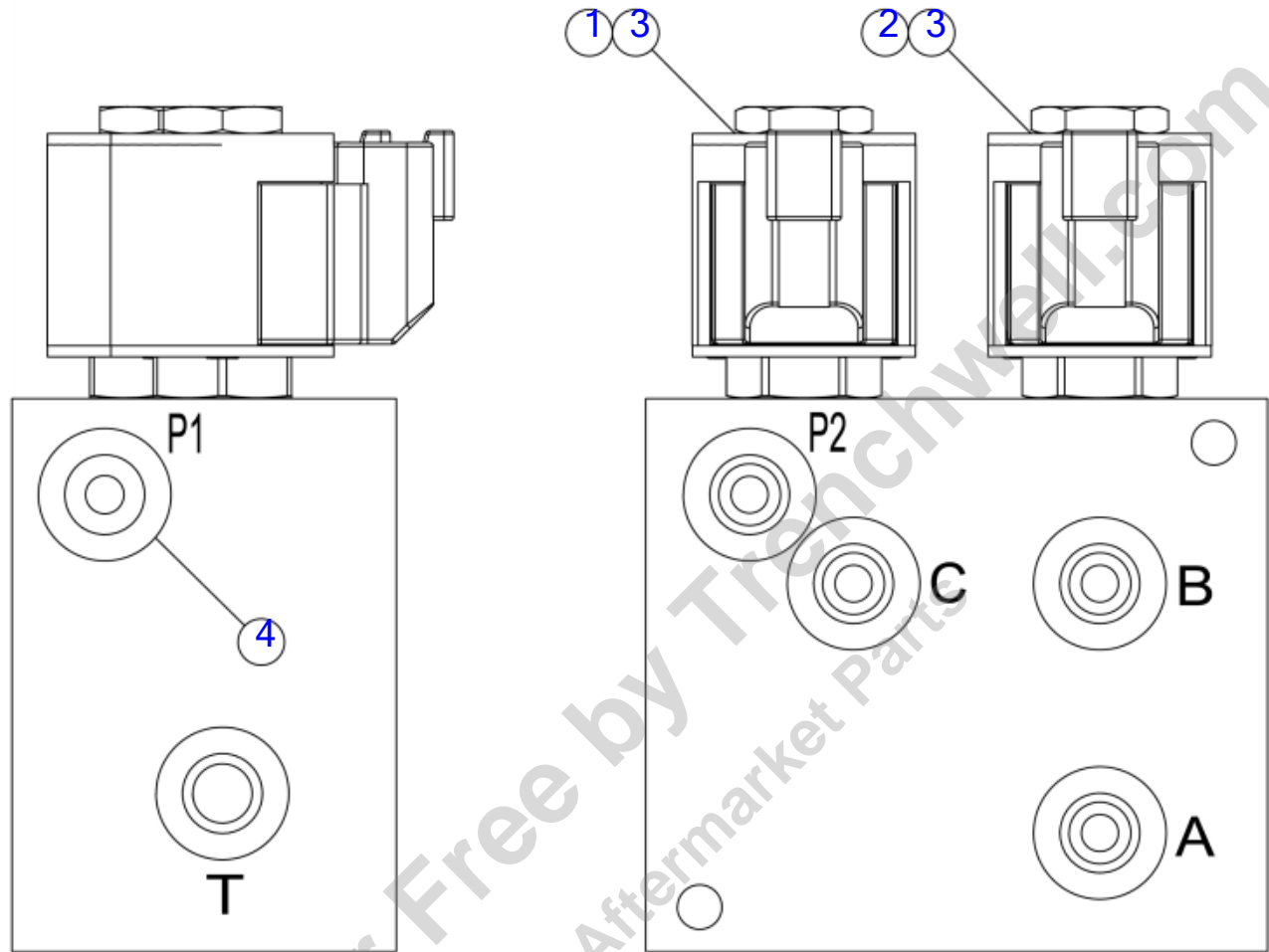
Fig 12-08

REF NO.	PART NO.	DESCRIPTION	QTY.	REMARKS
1	235716001	WASHER - FLATSTRL - .25 -.28 X .63 - .06 - CZ	2	
2	296463394	VALVE - HF SPEED SHIFT ON OFF VALVE	1	Breakdown Fig. 12-8T01
3	510300030	SCREW-HCS-.25-20X3.00-GR5-YZ	2	
4	58295001	FITTING-4M OR X 4M JIC 45 DEG.	2	
5	65569001	FITTING STR 6MJ - 4MORB	2	
6	67263001	FITTING - PLUG - 4MORB - HEX	2	

Provided for Free by Trenchwell.com
Shop Aftermarket Parts

Breakdown-Water Pump Valve

Fig 12-08T01



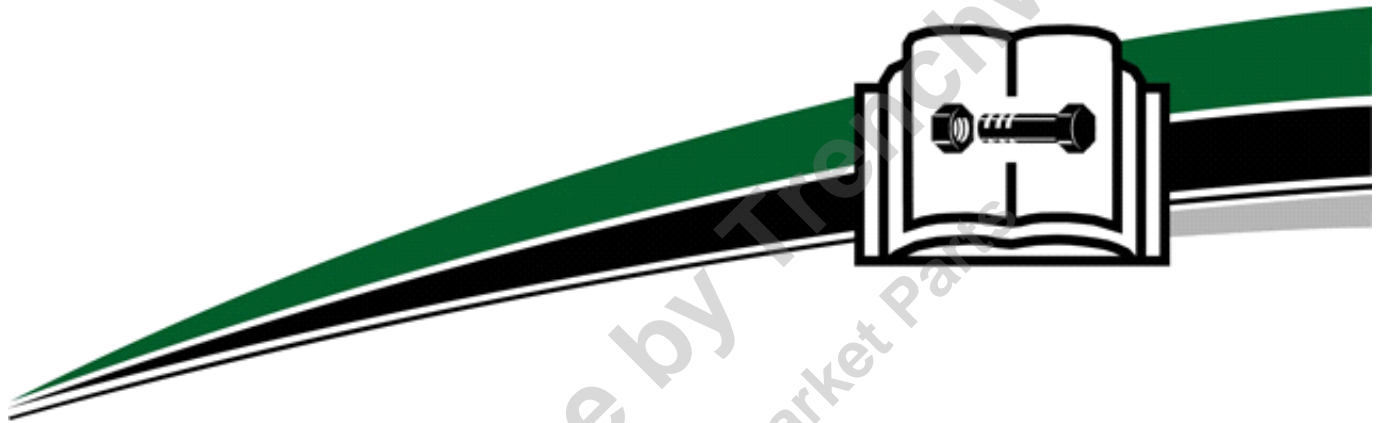
Breakdown-Water Pump Valve

Fig 12-08T01

REF NO.	PART NO.	DESCRIPTION	QTY.	REMARKS
1	228124017	CARTRIDGE SOLENOID	1	
1	244725007	NUT - COIL	1	
1	161159001	SEAL KIT	1	
2	234863005	CARTRIDGE .	1	
2	244725007	NUT - COIL	1	
2	244725011	SEAL KIT	1	
3	296271115	COIL	2	
4	296251096	ORIFICE PLUG	1	
	278267015	PLUG	2	Not Shown
	296463394	VALVE - HF SPEED SHIFT ON OFF VALVE	1	Includes All Items In Figure (394-)

Provided for Free by Trenchwell.com
Shop Aftermarket Parts

Electrical & Harnesses



Provided for Free by TrotterChowell.com
Shop Aftermarket Parts

Electrical & Harnesses

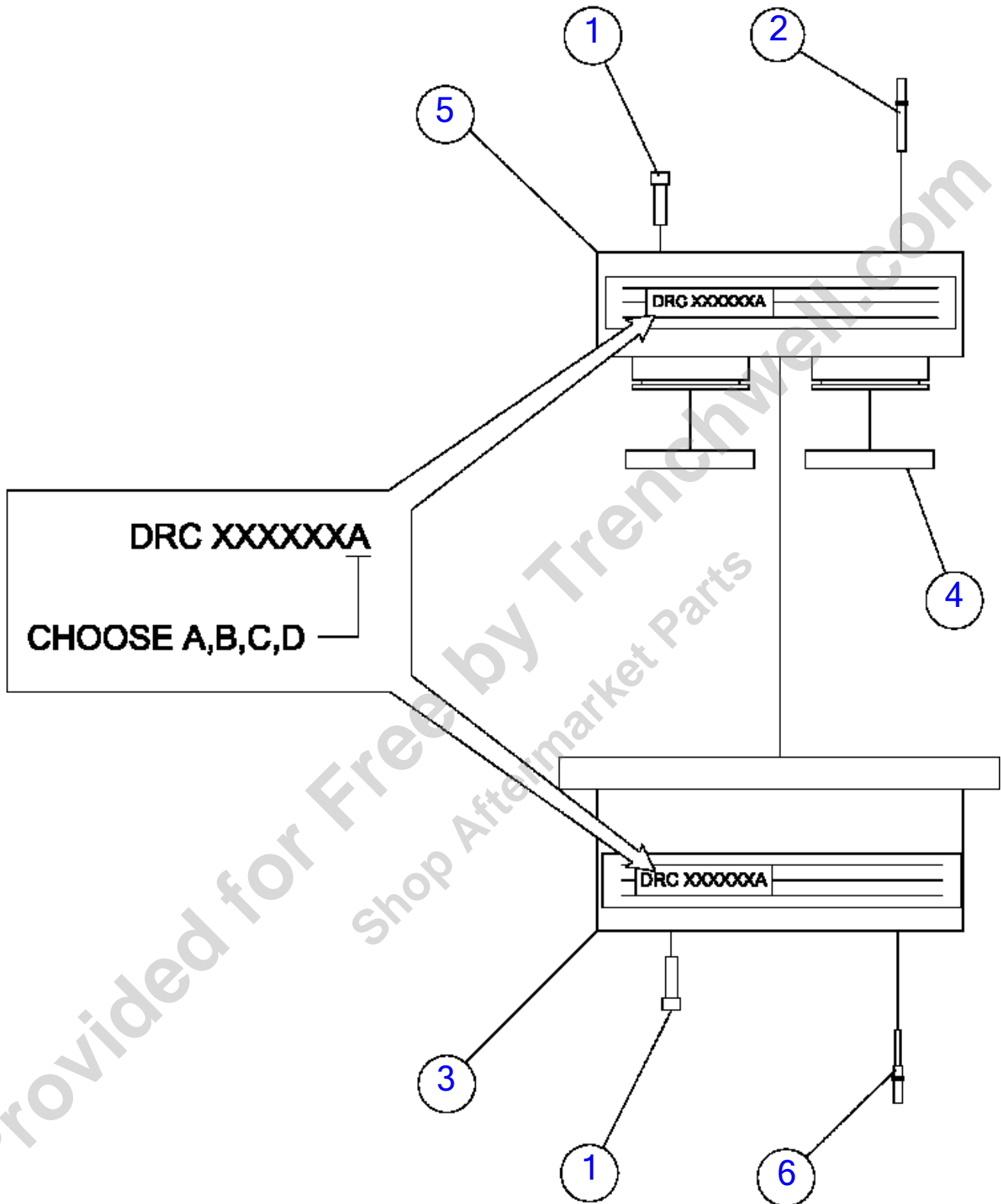
Harness Connectors-DRC Series	Fig	13-01
Harness Connectors-DT Series	Fig	13-02
Harness Connectors-DT Series Diode/Buss Blocks	Fig	13-03
Harness Connectors-DTHD Series	Fig	13-04
Electrical Tooling	Fig	13-05
Harness-Engine Bay	Fig	13-06
Harness-Vise	Fig	13-07
Harness-Carriage (SN 101-479)	Fig	13-08
Harness-Carriage (SN 480-)	Fig	13-08R01
Harness-PF Encoder Jumper (SN 101-479)	Fig	13-09
Cable-Overmolded Encoder Jumper (SN 480-)	Fig	13-09R01
Harness-Rack	Fig	13-10
Harness-Hose Carrier	Fig	13-11
Harness-Non-Cab Console	Fig	13-12
Harness-Cab	Fig	13-13
Harness-Cab Top	Fig	13-14
Harness-Aftertreatment-Tier 4F (SN 101-471)	Fig	13-15
Harness-Aftertreatment-Tier 4F (SN 472-)	Fig	13-15R01
Harness-Overflow Tank	Fig	13-16
Cables-PDM Power	Fig	13-17
Cables-Power & Ground	Fig	13-18
Harness-Engine Bay (Tier 3)	Fig	13-19

Provided for Free by Trenchwell.com
 Shop Aftermarket Parts

Harness Connectors-DRC Series

Fig 13-01

DRC SERIES



Harness Connectors-DRC Series

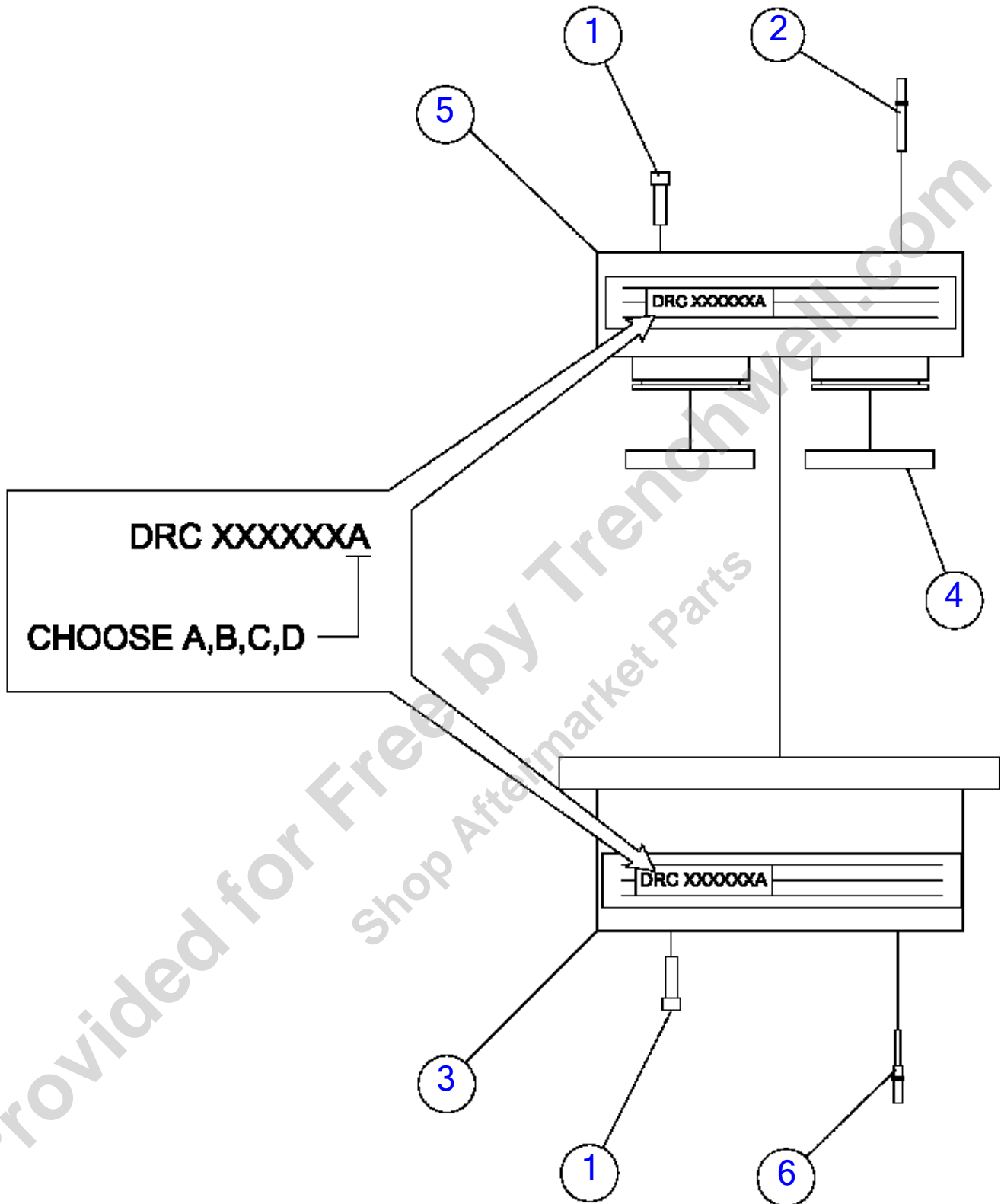
Fig 13-01

REF NO.	PART NO.	DESCRIPTION	QTY.	REMARKS
1	276906001	SIZE 20, SEALING PLUG		
1	94201001	PLUG - SEALING (12-16)		
2	91354001	CONTACT SOCKET - SIZE 16, SOLID		
2	276916001	CONTACT SOCKET - SIZE 20, SOLID		
3	276894001	24 CAVITY RECEPTACLE - DRC SERIES		
3	276907001	24 WAY RECEPTACLE - DRC SERIES		
3	276917001	24 WAY RECEPTACLE - DRC SERIES		
3	276918001	RECEPTACLE - 24 PIN INLINE (D)		
3	276895001	RECEPTACLE - 24 IN FLNG MNT (A)		
3	276908001	24 WAY RECEPTACLE - DRC SERIES		
3	276919001	24 WAY RECEPTACLE - DRC SERIES		
3	276920001	24 WAY RECEPTACLE - DRC SERIES		
3	276896001	40 WAY RECEPTACLE - DRC SERIES		
3	276909001	40 WAY RECEPTACLE - DRC SERIES		
3	276921001	40 WAY RECEPTACLE - DRC SERIES		
3	276922001	40 WAY RECEPTACLE - DRC SERIES		
3	276897001	RECEPTACLE - 40 PIN FLNG MNT (A)		
3	276910001	RECEPTACLE - 40 PIN FLNG MNT (B)		
3	276923001	RECEPTACLE - 40 PIN FLNG MNT (C)		
3	276924001	RECEPTACLE - 40 PIN FLNG MNT (D)		
3	276898001	RECEPTACLE - 70 PIN INLINE (A)		
3	276911001	70 WAY RECEPTACLE - DRC SERIES		
3	276925001	70 WAY RECEPTACLE - DRC SERIES		
3	276926001	RECEPTACLE - 70 PIN INLINE (D)		
3	276899001	RECEPTACLE - 70 PIN FLNG MNT (A)		
3	276912001	RECEPTACLE - 70 PIN FLNG MNT (B)		
3	276927001	RECEPTACLE - 70 PIN FLNG MNT (C)		
3	276928001	RECEPTACLE - 70 PIN FLNG MNT (D)		
4	276900001	GASKET - 24 PIN INTERFACE		
4	276901001	GASKET - 40 PIN INTERFACE		
4	276902001	GASKET - 70 PIN INTERFACE		
5	276931001	PLUG - 24 PIN (SIZE 20 CONTACTS) (A)		
5	276932001	24 WAY PLUG - DRC SERIES		
5	276933001	24 WAY PLUG - DRC SERIES		
5	276934001	24 WAY PLUG - DRC SERIES		
5	276939001	PLUG - 40 PIN (SIZE 20 CONTACTS) (A)		
5	276940001	PLUG - 40 PIN (SIZE 20 CONTACTS) (B)		
5	276941001	PLUG - 40 PIN (SIZE 20 CONTACTS) (C)		
5	276942001	PLUG - 40 PIN (SIZE 20 CONTACTS) (D)		
5	276903001	PLUG - 24 PIN		
5	276913001	24 WAY RECEPTACLE - DRC SERIES		
5	276929001	24 WAY RECEPTACLE - DRC SERIES		
5	276930001	24 WAY RECEPTACLE - DRC SERIES		
5	276904001	PLUG - 40 PIN (A)		
5	276914001	PLUG - 40 PIN - B		
5	276935001	PLUG - 40 PIN (C)		
5	276936001	PLUG - 40 PIN (D)		
5	276905001	PLUG - 70 PIN (A)		
5	276915001	70 WAY PLUG - DRC SERIES		
5	276937001	70 WAY PLUG - DRC SERIES		
5	276938001	70 WAY PLUG - DRC SERIES		
6	276866001	PIN - 14/16 GA.		

Harness Connectors-DRC Series

Fig 13-01

DRC SERIES



Harness Connectors-DRC Series

Fig 13-01

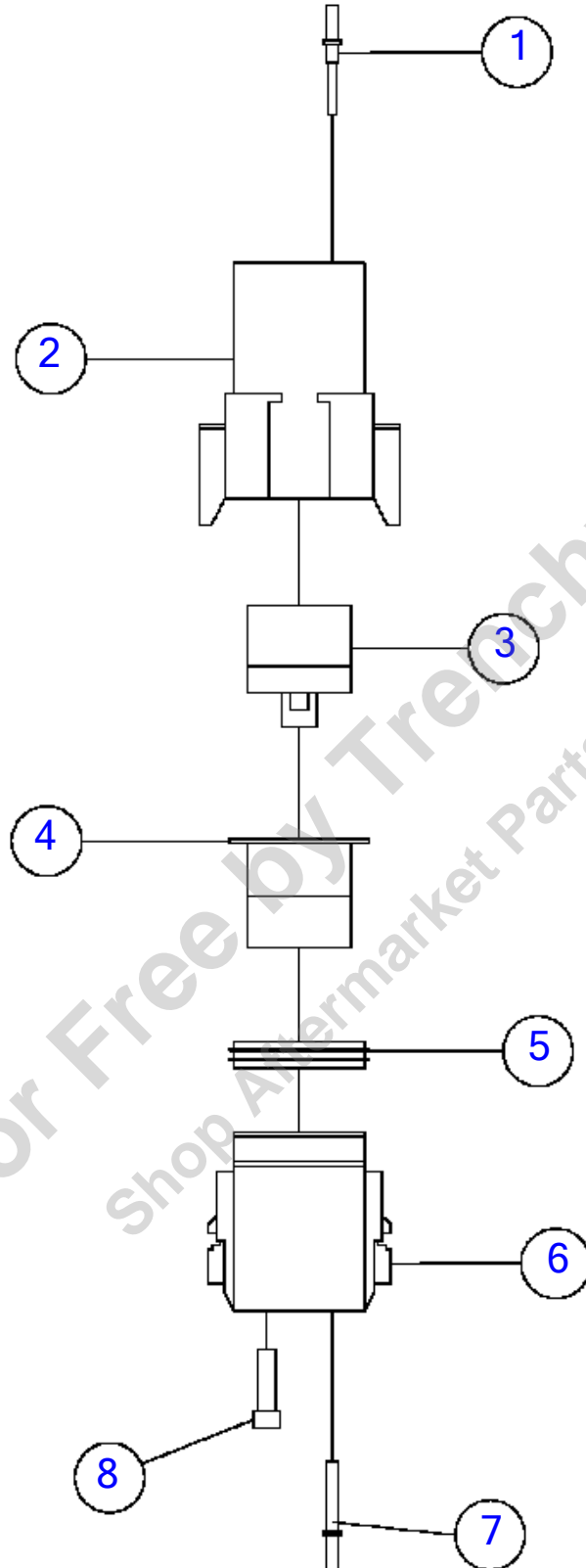
REF NO.	PART NO.	DESCRIPTION	QTY.	REMARKS
6	87696001	CONTACT PIN - SIZE 16, SOLID		
6	276951001	CONTACT PIN - SIZE 20, SOLID		
Note		NOT ALL ITEMS LISTED ARE USED ON THIS MACHINE		

Provided for Free by Trenchwell.com
Shop Aftermarket Parts

Harness Connectors-DT Series

Fig 13-02

DT SERIES



Harness Connectors-DT Series

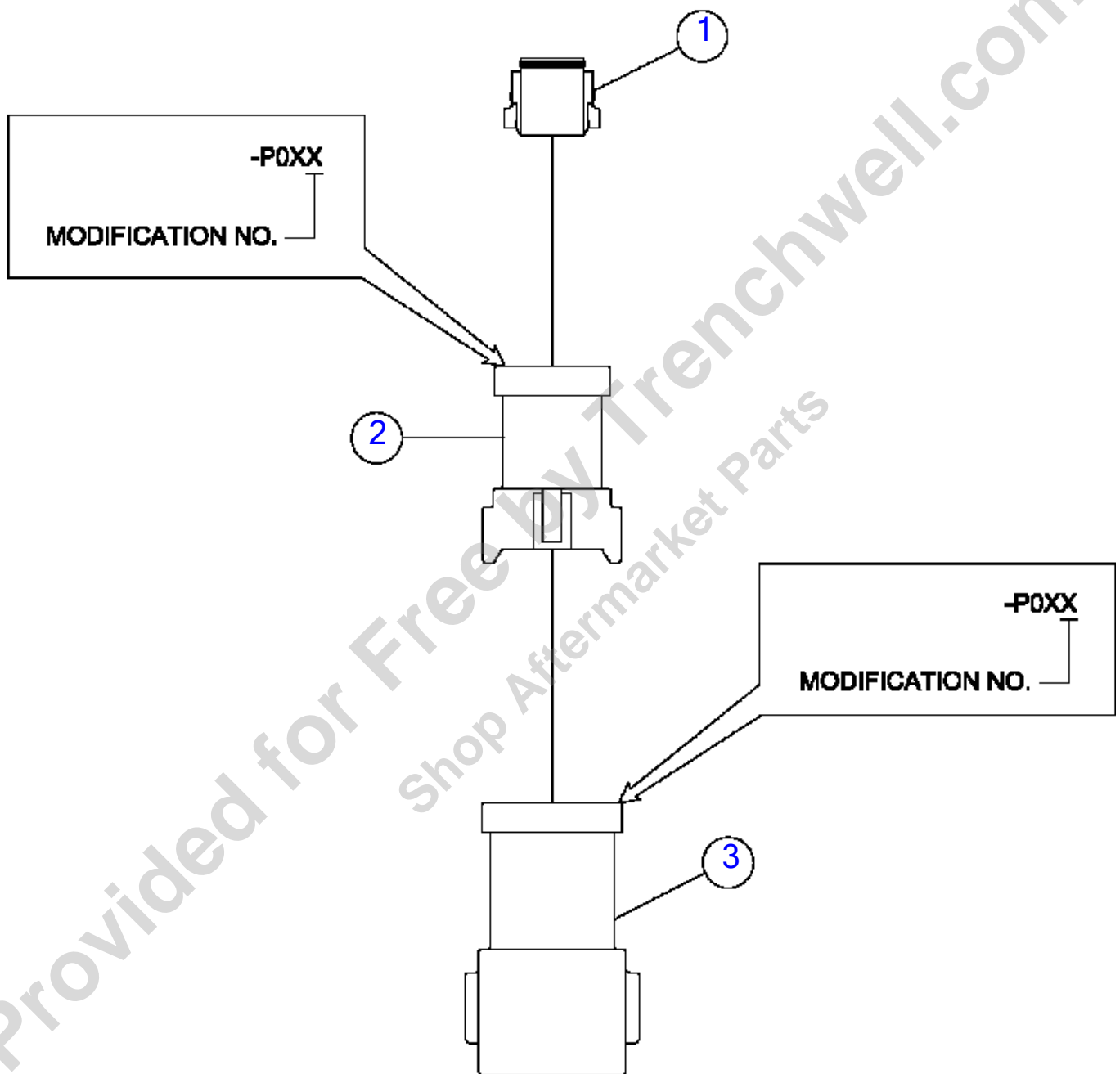
Fig 13-02

REF NO.	PART NO.	DESCRIPTION	QTY.	REMARKS
1	276866001	PIN - 14/16 GA.		
1	87696001	CONTACT PIN - SIZE 16, SOLID		
1	276951001	CONTACT PIN - SIZE 20, SOLID		
2	125286001	RECEPTACLE-DEUTSCH 2 PIN		
2	(276867001)	RECEPTACLE - 2 PIN		
2	276868001	RECEPTACLE - 3 PIN DT04-3P		
2	130656001	RECEPTACLE-DEUTSCH 4 PIN		
2	(276869001)	RECEPTACLE - 4 PIN		
2	276890001	RECEPTACLE - 6 PIN		
2	276943001	8 WAY RECEPTACLE - DT SERIES		
2	276944001	8 WAY RECEPTACLE - DT SERIES		
2	276945001	8 WAY RECEPTACLE - DT SERIES		
2	276946001	8 WAY RECEPTACLE - DT SERIES		
2	276947001	RECEPTACLE - 12 PIN (A)		
2	276948001	12 WAY RECEPTACLE - DT SERIES		
2	276949001	12 WAY RECEPTACLE - DT SERIES		
2	276950001	12 WAY RECEPTACLE - DT SERIES		
3	276870001	WEDGE - 2 PIN RECEPTACLE		
3	276871001	WEDGE - 3 PIN RECEPTACLE		
3	276872001	WEDGE - 4 PIN RECEPTACLE		
3	276873001	WEDGE - 6 PIN RECEPTACLE		
3	94200001	8 CONTACT RECEPTACLE - WEDGE LOCK		
3	103213001	12 CONTACT RECEPTACLE - WEDGE LOCK		
4	276874001	WEDGE - 2 PIN PLUG		
4	125284001	3 CONTACT PLUG - WEDGE LOCK		
4	(276875001)	WEDGE - 3 PIN PLUG		
4	276876001	4 WAY PLUG - WEDGELOCK		
4	276877001	WEDGE - 6 PIN PLUG		
4	98106001	8 CONTACT PLUG - WEDGE LOCK		
4	103214001	WEDGE - 12 PIN PLUG		
5	276878001	GASKET - INTERFACE 2 PIN		
5	276879001	GASKET - INTERFACE 3 PIN		
5	276880001	GASKET - INTERFACE 4 PIN		
5	276881001	GASKET - INTERFACE 6 PIN		
5	276882001	GASKET - INTERFACE 8 PIN		
5	276883001	GASKET - INTERFACE 12 PIN		
6	276884001	PLUG - 2 PIN		
6	125289001	3 WAY PLUG - DT SERIES		
6	(276885001)	PLUG - 3 PIN		
6	276886001	4 WAY PLUG - DT SERIES		
6	276887001	PLUG - 6 PIN		
6	98107001	8 WAY PLUG - DT SERIES		
6	276985001	8 WAY PLUG - DT SERIES		
6	276986001	8 WAY PLUG - DT SERIES		
6	276987001	8 WAY PLUG - DT SERIES		
6	103211001	12 WAY PLUG - DT SERIES		
6	276988001	12 WAY PLUG - DT SERIES		
6	276989001	12 WAY PLUG - DT SERIES		
6	276990001	12 WAY PLUG - DT SERIES		
7	91354001	CONTACT SOCKET - SIZE 16, SOLID		
8	94201001	PLUG - SEALING (12-16)		
Note		NOT ALL ITEMS LISTED ARE USED ON THIS MACHINE		

Harness Connectors-DT Series Diode/Buss Blocks

Fig 13-03

DT SERIES DIODE/BUSS BLOCKS



Harness Connectors-DT Series Diode/Buss Blocks

Fig 13-03

REF NO.	PART NO.	DESCRIPTION	QTY.	REMARKS
1	282531001	MODULE - DEUTSCH DT06-6S 3AMP DIODE		
2	700000096	8 WAY RECEPTACLE - DT SERIES - BLACK		
3	700000102	12 WAY RECEPTACLE - DT SERIES		
3	700000104	12 WAY RECEPTACLE - DT SERIES		
3	700000106	12 WAY RECEPTACLE - DT SERIES		
Note		NOT ALL ITEMS LISTED ARE USED ON THIS MACHINE		

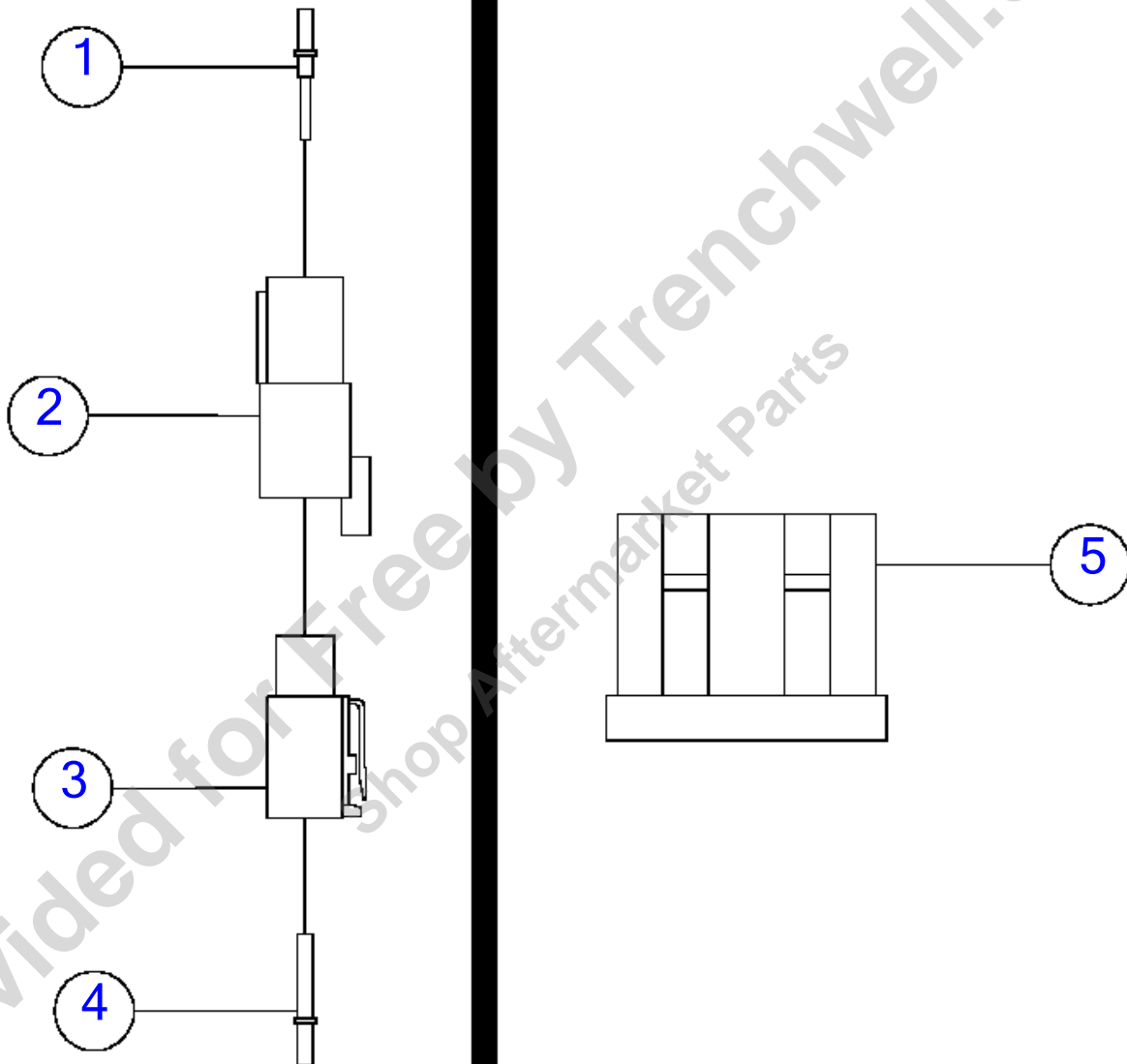
Provided for Free by Trenchwell.com
Shop Aftermarket Parts

Harness Connectors-DTHD Series

Fig 13-04

DTHD SERIES

HDFB MODULES



Harness Connectors-DTHD Series

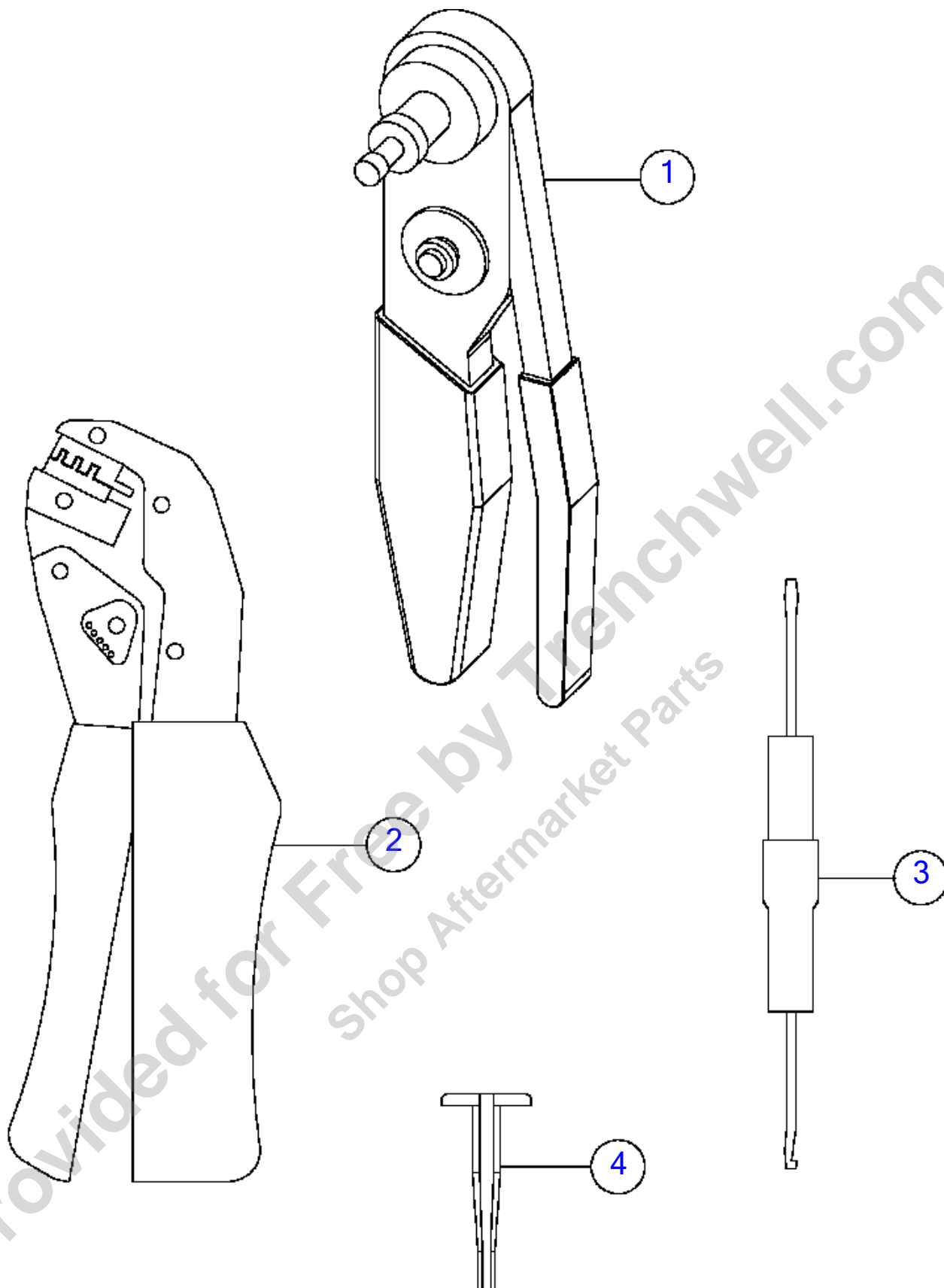
Fig 13-04

REF NO.	PART NO.	DESCRIPTION	QTY.	REMARKS
1	231988001	CONTACT PIN - SIZE 12, SOLID		
1	276953001	PIN - 8/10 GA.		
1	276954001	PIN - 6 GA.		
2	279423001	RECEPTACLE - SIZE 4 CONTACT		
2	279424001	RECEPTACLE - SIZE 8 CONTACT		
2	279425001	1 WAY RECEPTACLE - DTHD SERIES		
3	279426001	PLUG - SIZE 4 CONTACT		
3	279427001	PLUG - SIZE 8 CONTACT		
3	279428001	1 WAY PLUG - DTHD SERIES		
4	276982001	CONTACT SOCKET - SIZE 12, SOLID		
4	276984001	SOCKET - 8/12 GA.		
4	276952001	SOCKET - 6 GA.		
5	279430001	MODULE - FEEDBACK (10 PIN)		
Note		NOT ALL ITEMS LISTED ARE USED ON THIS MACHINE		

Provided for Free by Trenchwell.com
Shop Aftermarket Parts

Electrical Tooling

Fig 13-05



Electrical Tooling

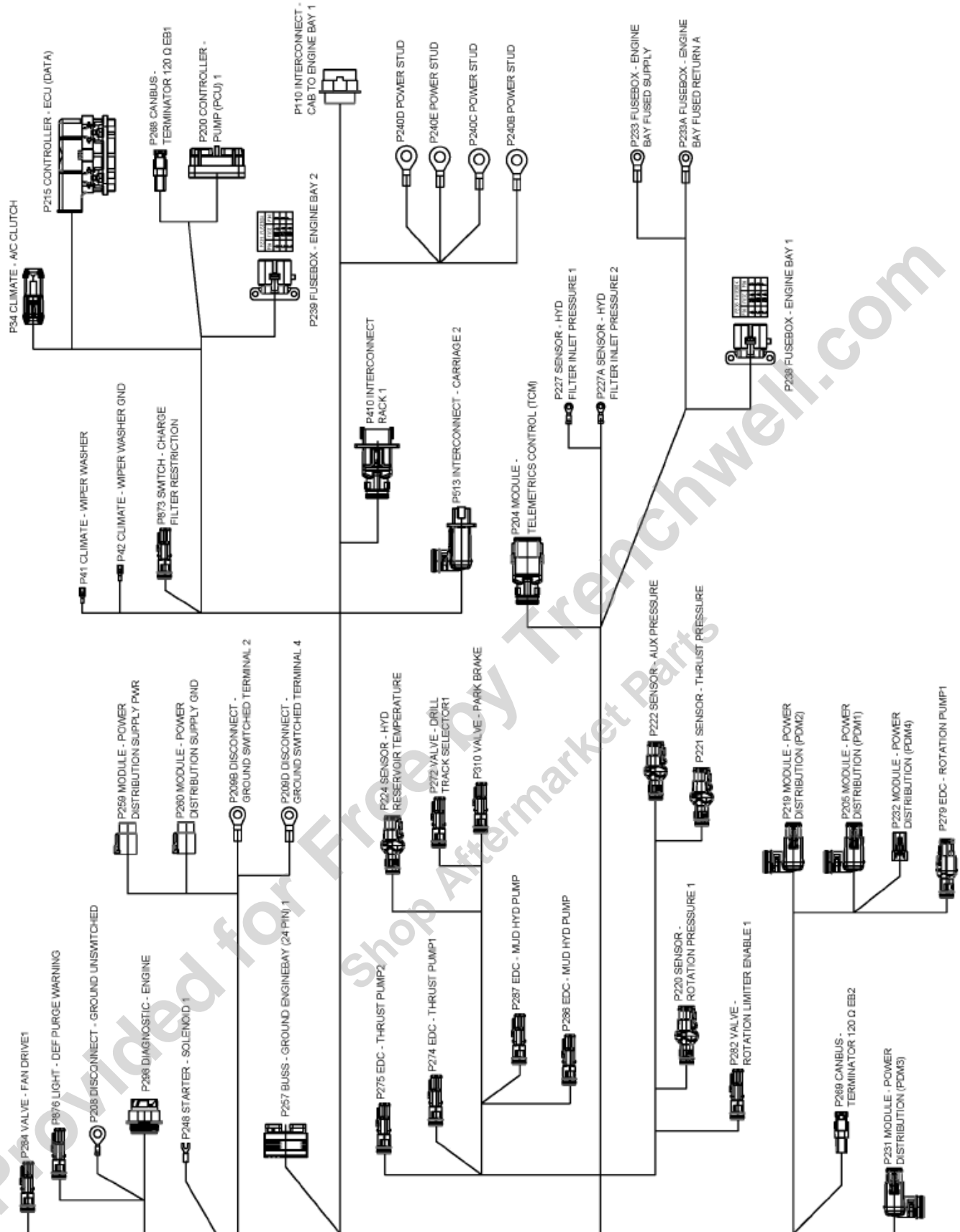
Fig 13-05

REF NO.	PART NO.	DESCRIPTION	QTY.	REMARKS
1	603961001	PLIERS-DEUTSCH CRIMPING	1	
2	286553001	TOOL - DEUTSCH CRIMPING - FIELD	1	
3	286553003	TOOL - DEUTSCH - FIELD	1	
4	276891001	TOOL - 12/14 GA. EXTRACTOR (YELLOW)	1	
4	276888001	TOOL - 6 GA. EXTRACTOR (WHITE)	1	
4	276889001	TOOL - 8/10 GA. EXTRACTOR (GREEN)	1	
4	905102001	TOOL-CONTACT REMOVAL	1	
4	(276892001)	TOOL - 16/18 GA. EXTRACTOR (BLUE)	1	
4	276893001	TOOL - 20/24 GA EXTRACTOR - RED	1	

Provided for Free by Trenchwell.com
Shop Aftermarket Parts

Harness-Engine Bay

Fig 13-06



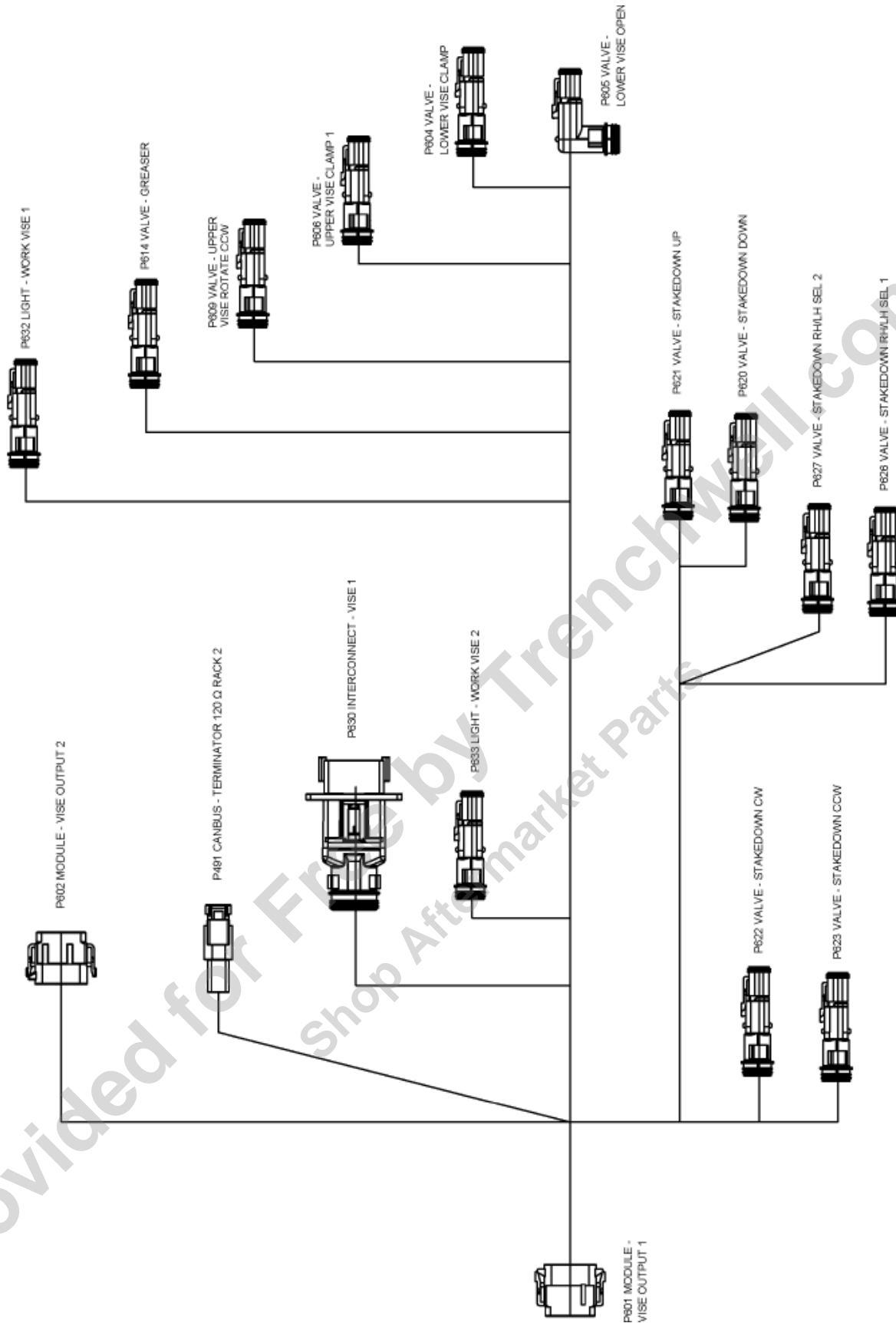
Harness-Engine Bay

Fig 13-06

REF NO.	PART NO.	DESCRIPTION	QTY.	REMARKS
	296372617	HARNESS-ENGINE BAY	1	

Provided for Free by Trenchwell.com
Shop Aftermarket Parts

Harness-Vise
Fig 13-07



Harness-Vise

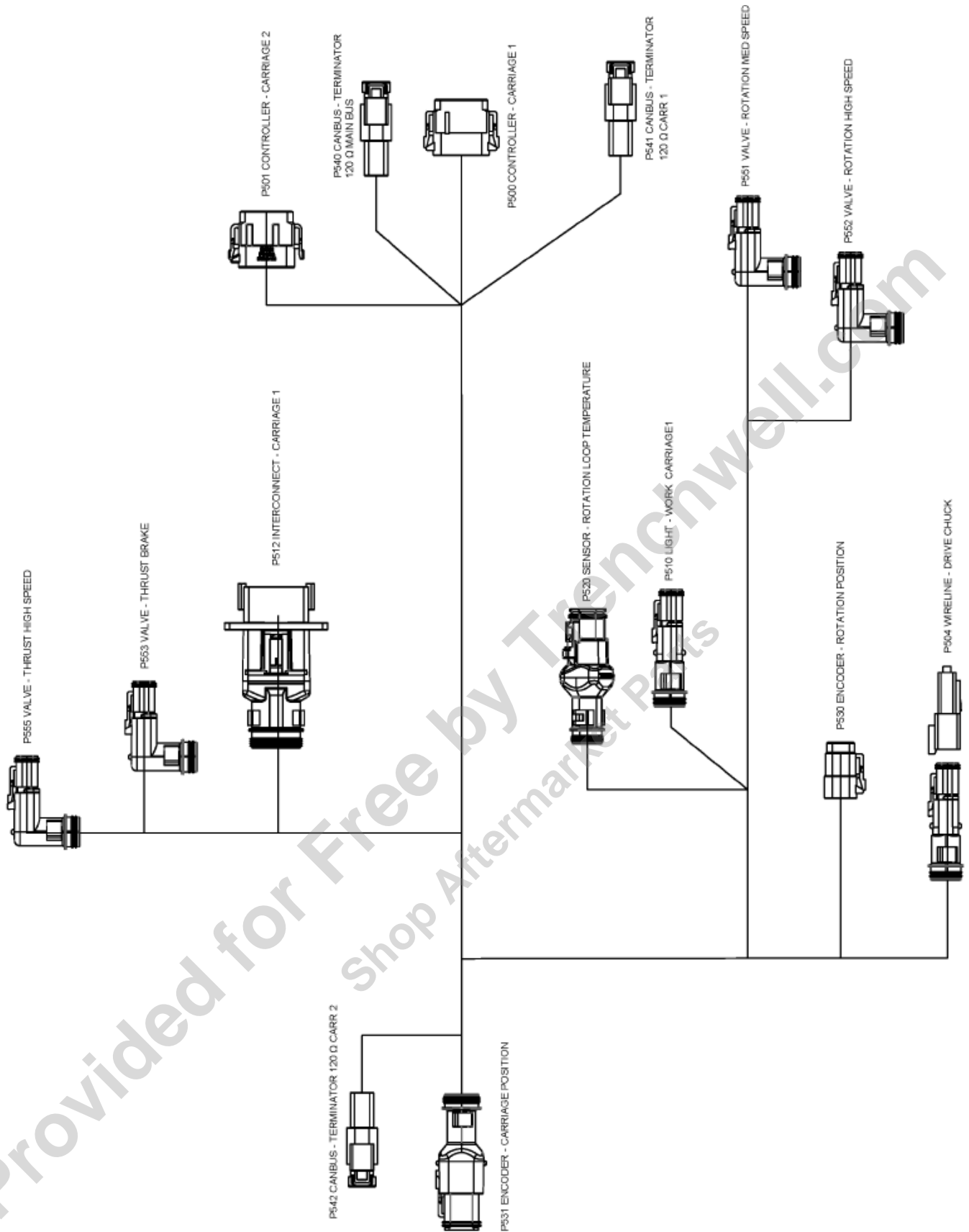
Fig 13-07

REF NO.	PART NO.	DESCRIPTION	QTY.	REMARKS
	296372621	HARNESS-VISE	1	

Provided for Free by Trenchwell.com
Shop Aftermarket Parts

Harness-Carriage (SN 101-479)

Fig 13-08



Harness-Carriage (SN 101-479)

Fig 13-08

REF NO.	PART NO.	DESCRIPTION	QTY.	REMARKS
	296372624	HARNESS-CARRIAGE D24 D24X40S3	1	

Provided for Free by Trenchwell.com
Shop Aftermarket Parts

Harness-Carriage (SN 480-)

Fig 13-08R01

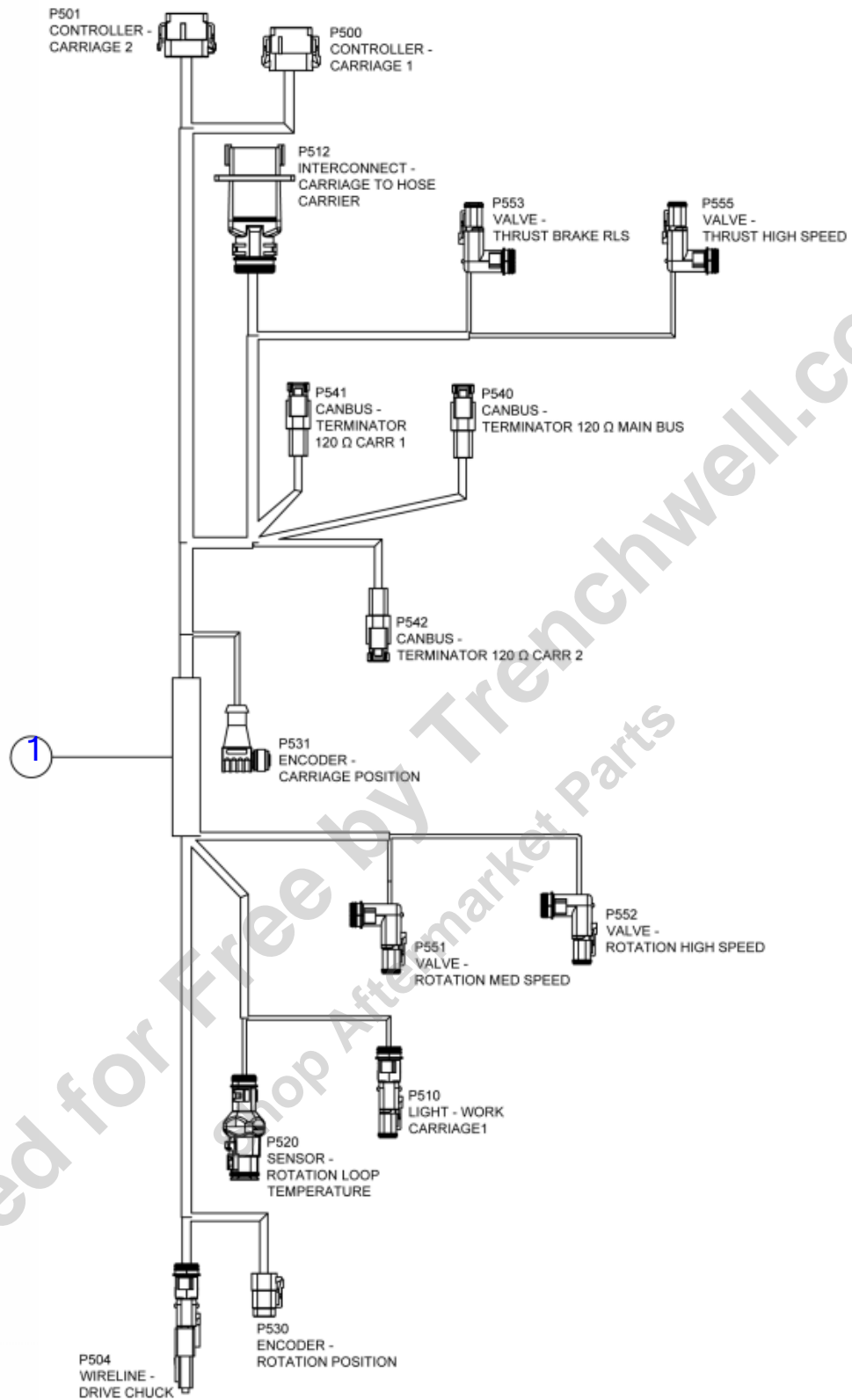


ILLUSTRATION NO. 296470184 - Not For Ordering

Harness-Carriage (SN 480-)

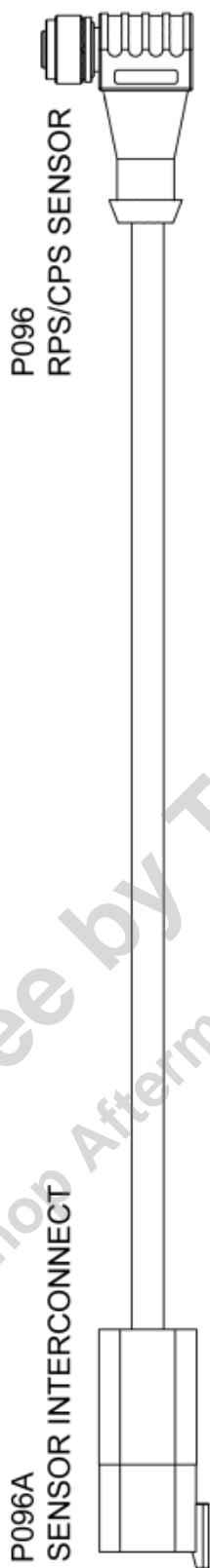
Fig 13-08R01

REF NO.	PART NO.	DESCRIPTION	QTY.	REMARKS
1	296470184	HARNESS - D24 CARRIAGE W/LOOM D24X40S3	1	

Provided for Free by Trenchwell.com
Shop Aftermarket Parts

Harness-PF Encoder Jumper (SN 101-479)

Fig 13-09



Harness-PF Encoder Jumper (SN 101-479)

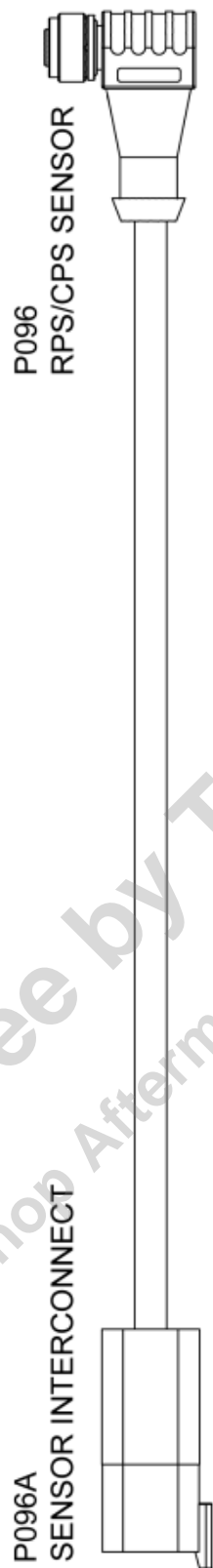
Fig 13-09

REF NO.	PART NO.	DESCRIPTION	QTY.	REMARKS
	296447115	CABLE-OVERMOLDED ENCODER JUMPER	2	

Provided for Free by Trenchwell.com
Shop Aftermarket Parts

Cable-Overmolded Encoder Jumper (SN 480-)

Fig 13-09R01



Cable-Overmolded Encoder Jumper (SN 480-)

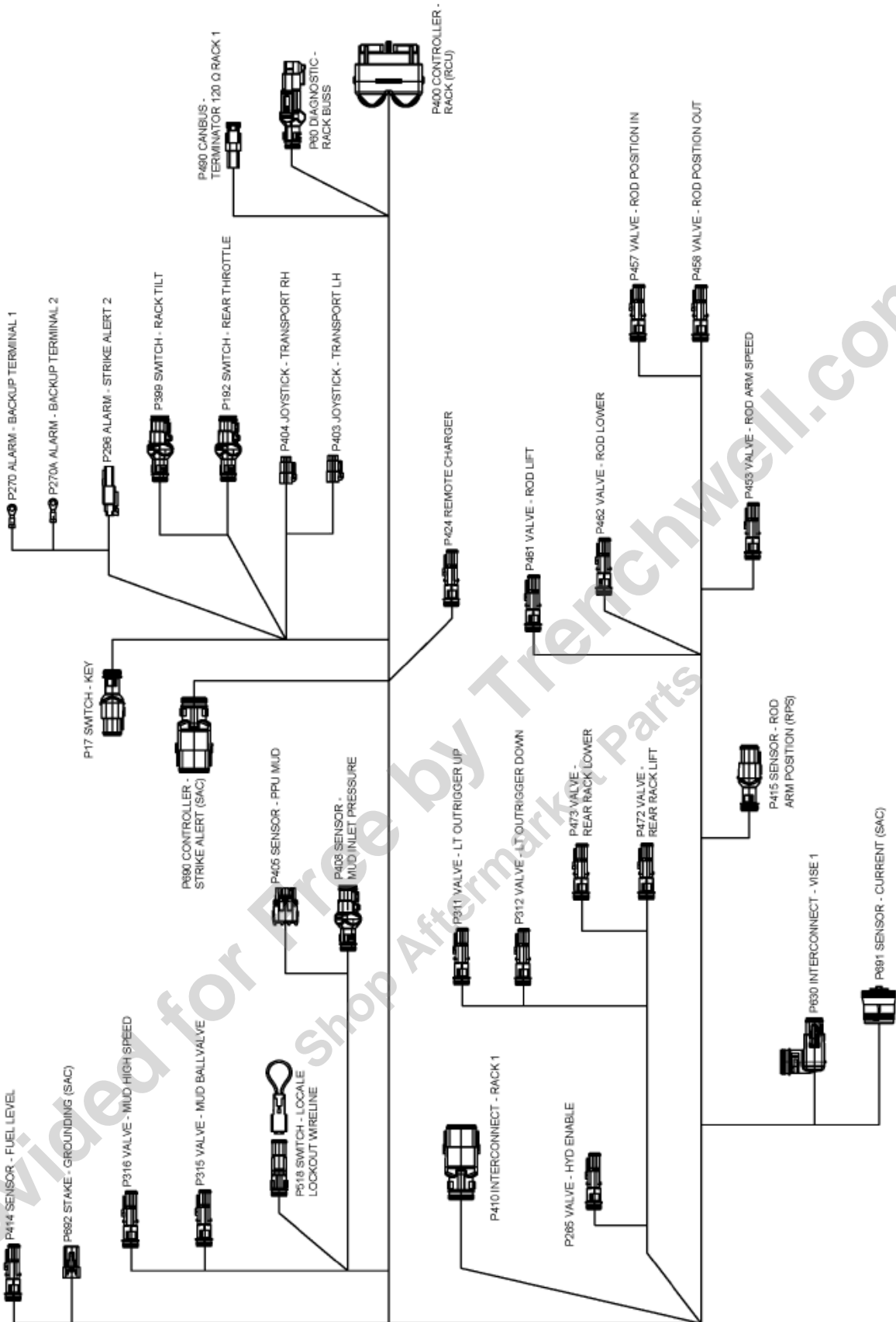
Fig 13-09R01

REF NO.	PART NO.	DESCRIPTION	QTY.	REMARKS
	296447115	CABLE-OVERMOLDED ENCODER JUMPER	1	(SN 480-)
		SN:000480--		

Provided for Free by Trenchwell.com
 Shop Aftermarket Parts

Harness-Rack

Fig 13-10



Harness-Rack

Fig 13-10

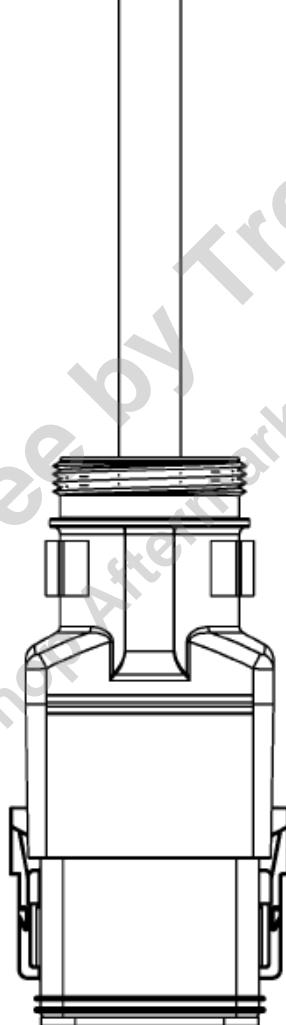
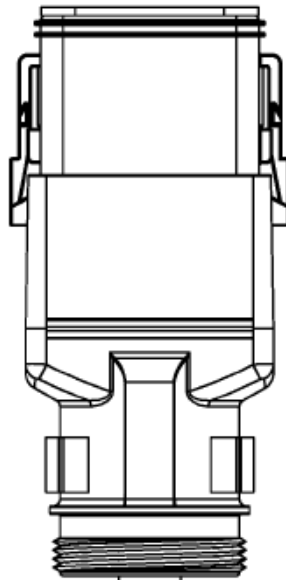
REF NO.	PART NO.	DESCRIPTION	QTY.	REMARKS
	296372618	HARNESS-RACK 10' D24	1	

Provided for Free by Trenchwell.com
Shop Aftermarket Parts

Harness-Hose Carrier

Fig 13-11

P513 INTERCONNECT - CARRIAGE 2



P512 INTERCONNECT - CARRIAGE 1

Harness-Hose Carrier

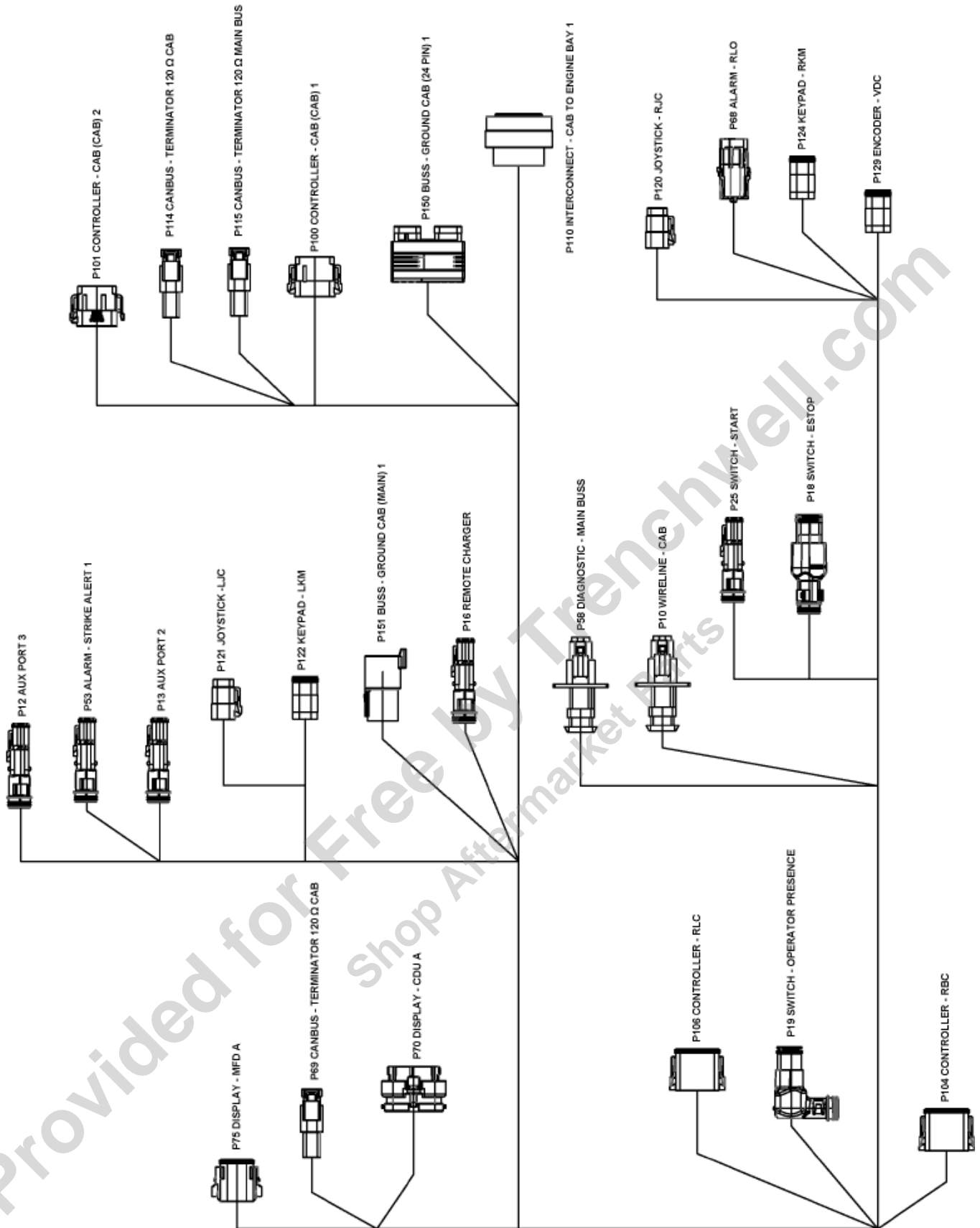
Fig 13-11

REF NO.	PART NO.	DESCRIPTION	QTY.	REMARKS
	296372622	HARNESS-HOSE CARRIER 10' D24/D40 S3	1	

Provided for Free by Trenchwell.com
Shop Aftermarket Parts

Harness-Non-Cab Console

Fig 13-12



Harness-Non-Cab Console

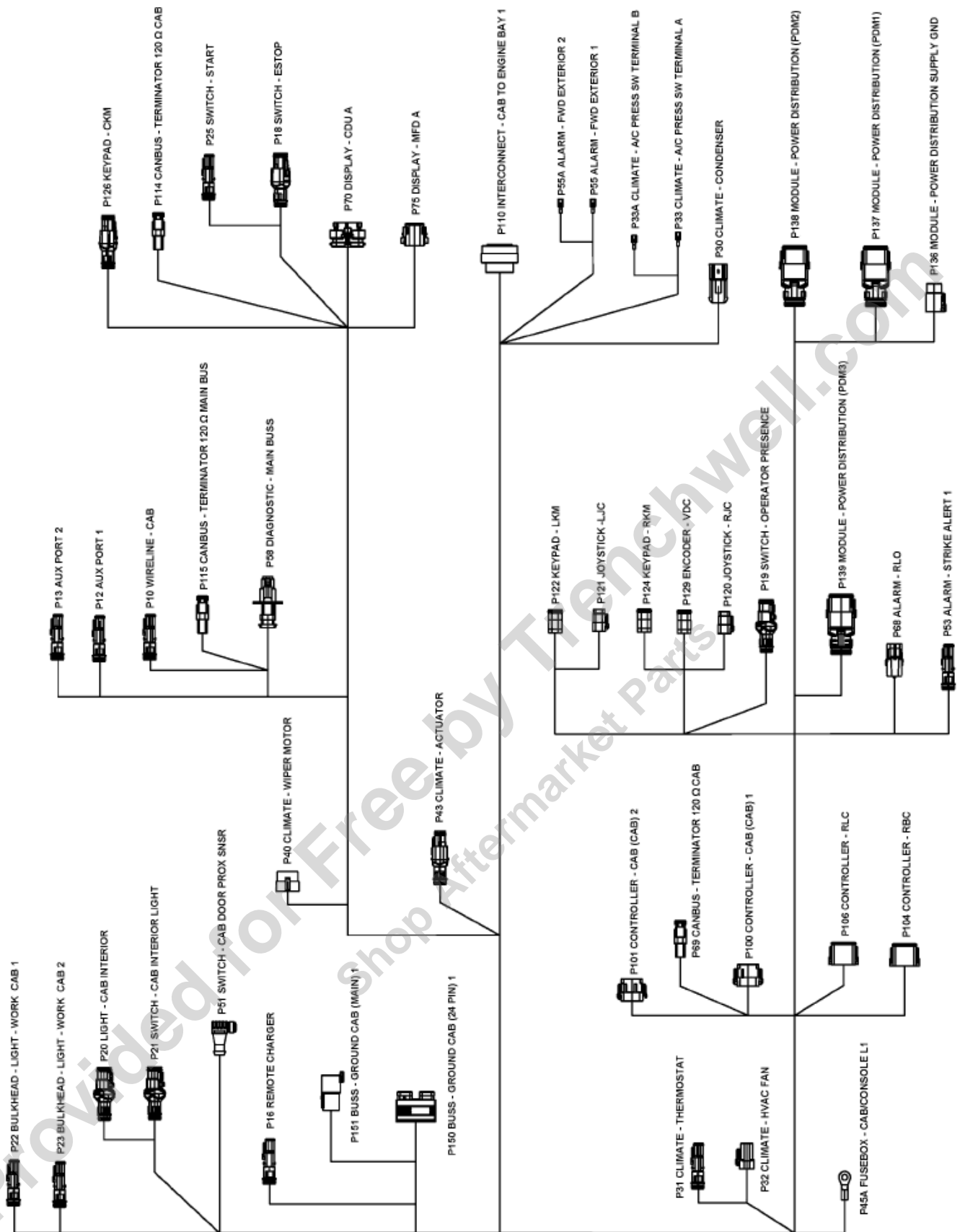
Fig 13-12

REF NO.	PART NO.	DESCRIPTION	QTY.	REMARKS
	296372616	HARNESS-CONSOLE	1	

Provided for Free by Trenchwell.com
Shop Aftermarket Parts

Harness-Cab

Fig 13-13



Harness-Cab

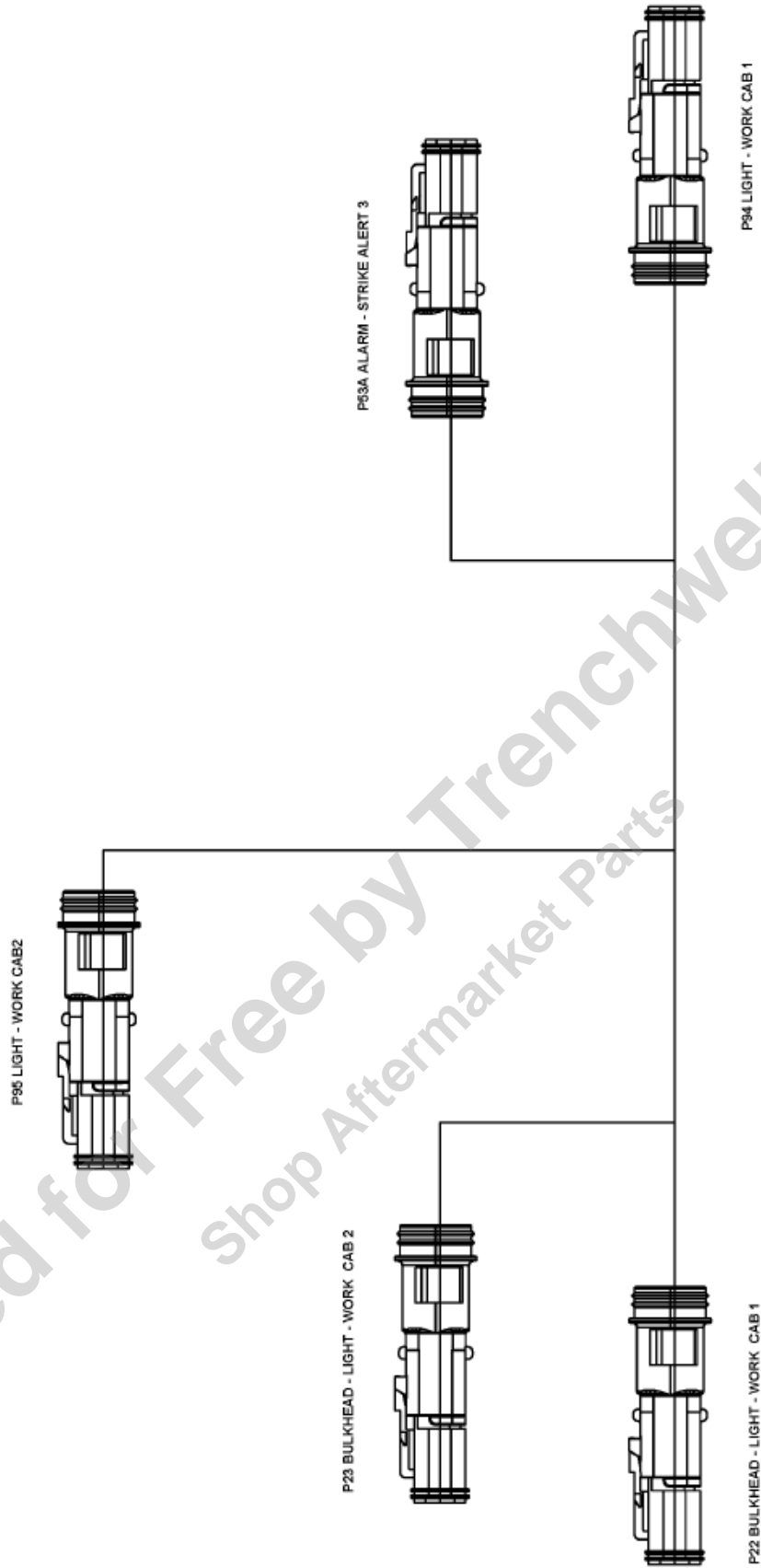
Fig 13-13

REF NO.	PART NO.	DESCRIPTION	QTY.	REMARKS
	296372613	HARNESS-CAB D24\D40 S3	1	

Provided for Free by Trenchwell.com
Shop Aftermarket Parts

Harness-Cab Top

Fig 13-14



Harness-Cab Top

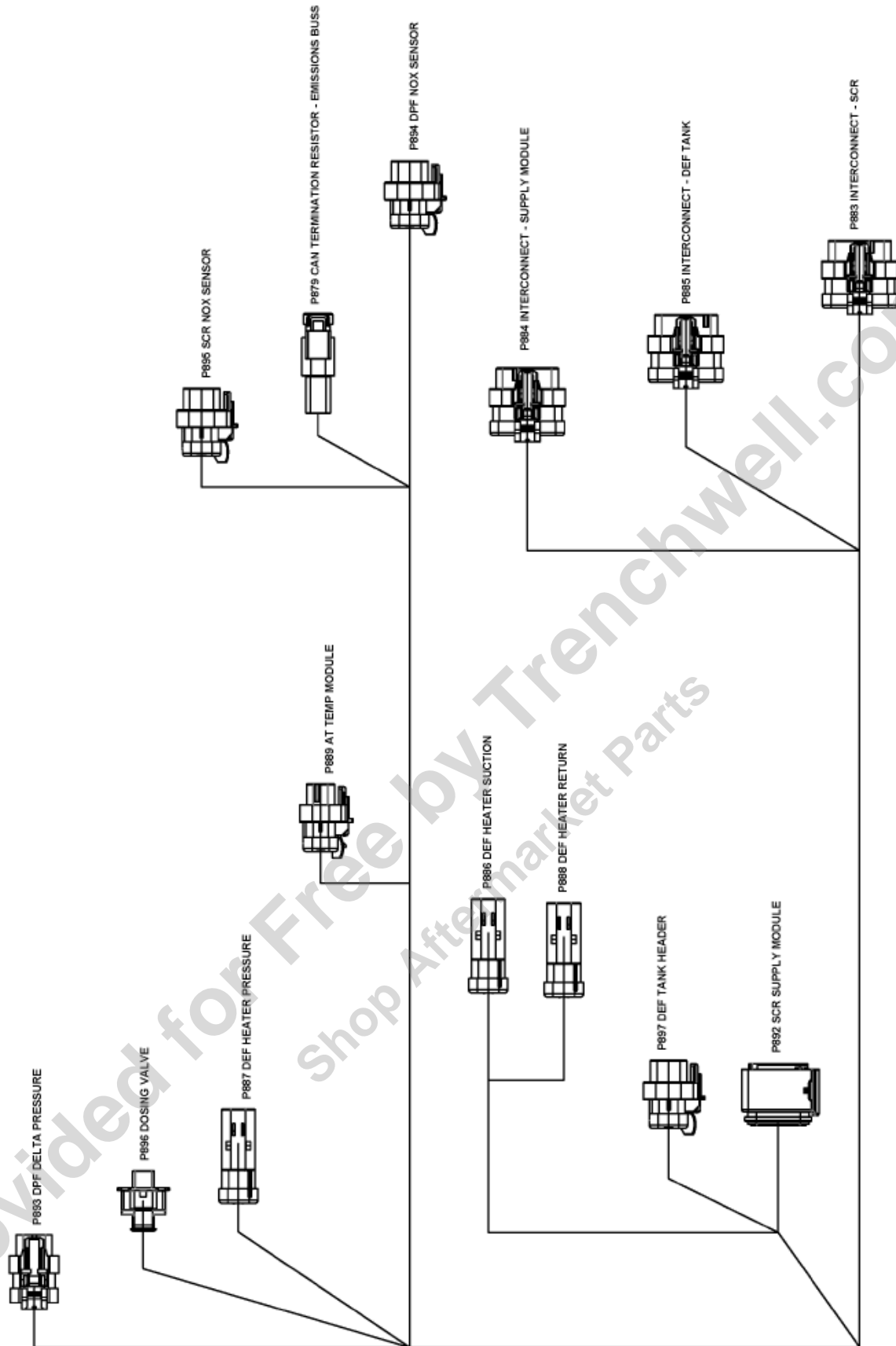
Fig 13-14

REF NO.	PART NO.	DESCRIPTION	QTY.	REMARKS
	296372650	HARNESS-CAB TOP D24/D40 S3	1	

Provided for Free by Trenchwell.com
Shop Aftermarket Parts

Harness-Aftertreatment-Tier 4F (SN 101-471)

Fig 13-15



Harness-Aftertreatment-Tier 4F (SN 101-471)

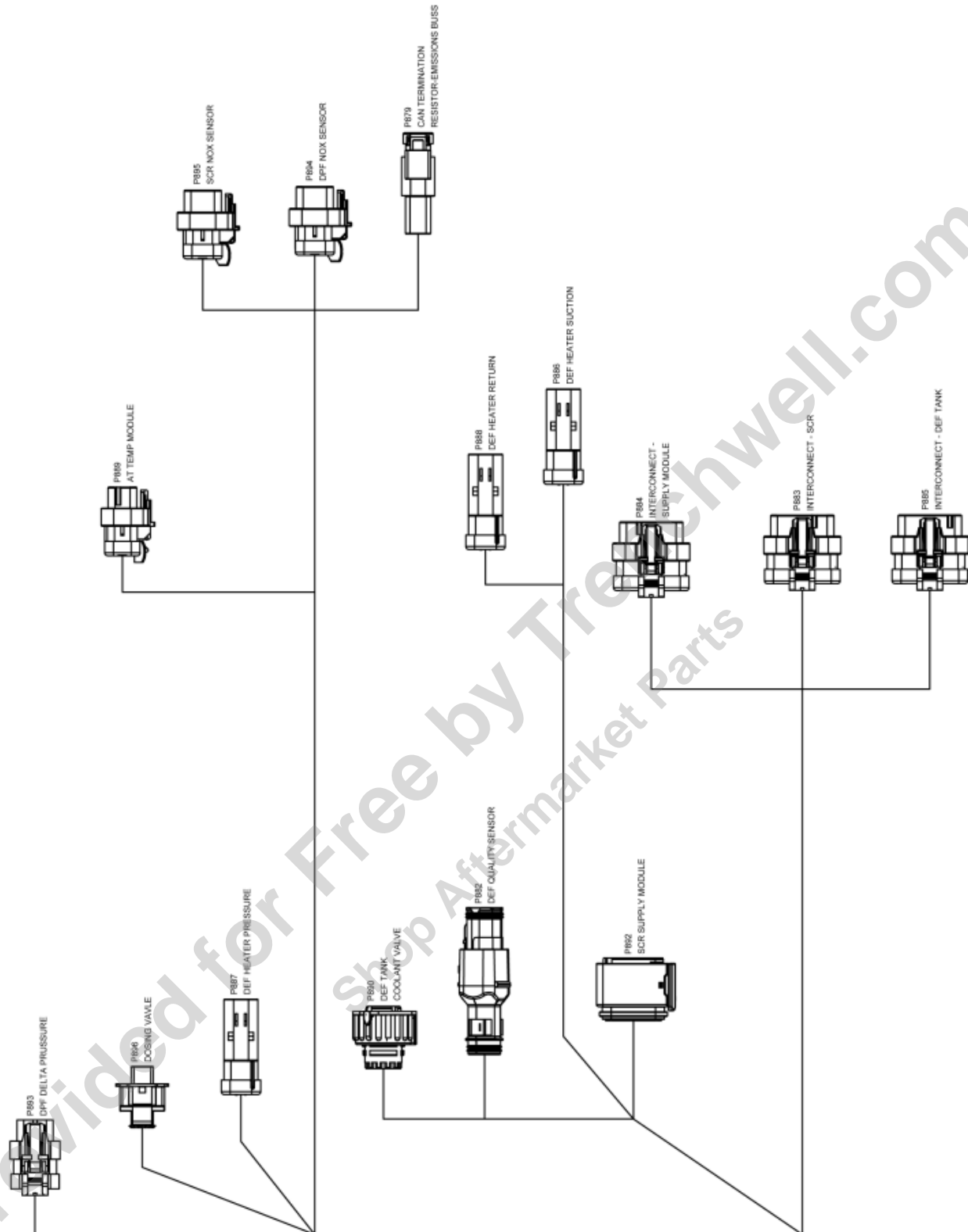
Fig 13-15

REF NO.	PART NO.	DESCRIPTION	QTY.	REMARKS
	296372627	HARNESS-T4F AFTERTREATMENT	1	

Provided for Free by Trenchwell.com
Shop Aftermarket Parts

Harness-Aftertreatment-Tier 4F (SN 472-)

Fig 13-15R01



Harness-Aftertreatment-Tier 4F (SN 472-)

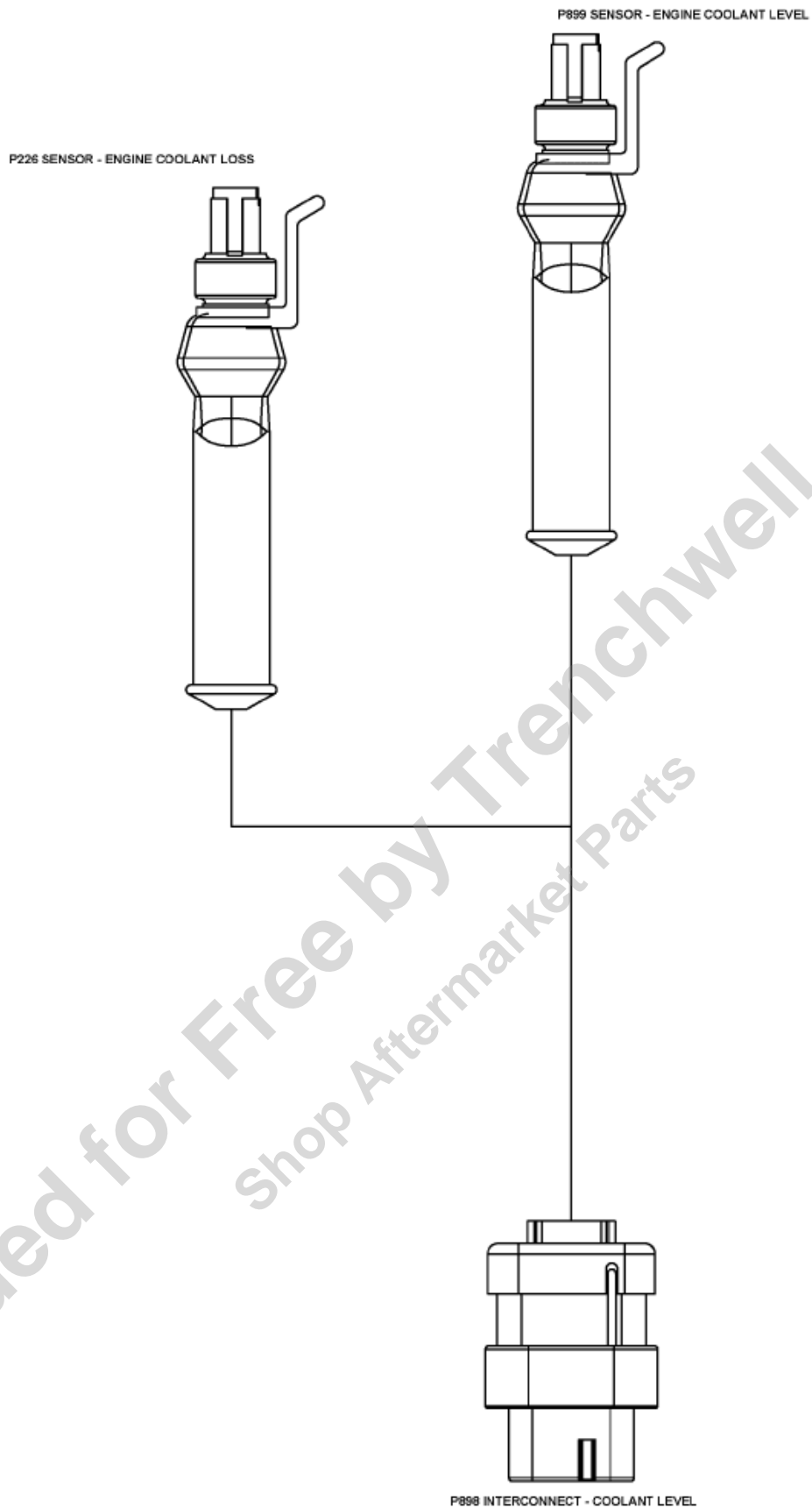
Fig 13-15R01

REF NO.	PART NO.	DESCRIPTION	QTY.	REMARKS
	296447108	HARNESS - T4F AFTER TREATMENT	1	(SN 472-)
		SN:000472--		

Provided for Free by Trenchwell.com
Shop Aftermarket Parts

Harness-Overflow Tank

Fig 13-16



Harness-Overflow Tank

Fig 13-16

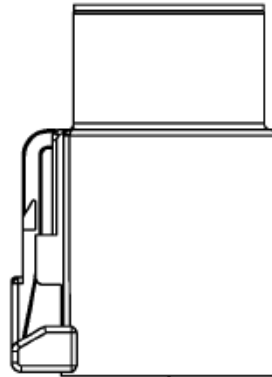
REF NO.	PART NO.	DESCRIPTION	QTY.	REMARKS
	296372628	HARNESS-OVERFLOW TANK	1	

Provided for Free by Trenchwell.com
Shop Aftermarket Parts

Cables-PDM Power

Fig 13-17

P135 MODULE - POWER DISTRIBUTION SUPPLY PWR



P43 FUSEBOX - CABICONSOLE L1

Provided for Free by Trenchwell.com
Shop Aftermarket Parts

Cables-PDM Power

Fig 13-17

REF NO.	PART NO.	DESCRIPTION	QTY.	REMARKS
	296372649	CABLE-PDM POWER D24/D40 S3	1	

Provided for Free by Trenchwell.com
Shop Aftermarket Parts

Cables-Power & Ground

Fig 13-18

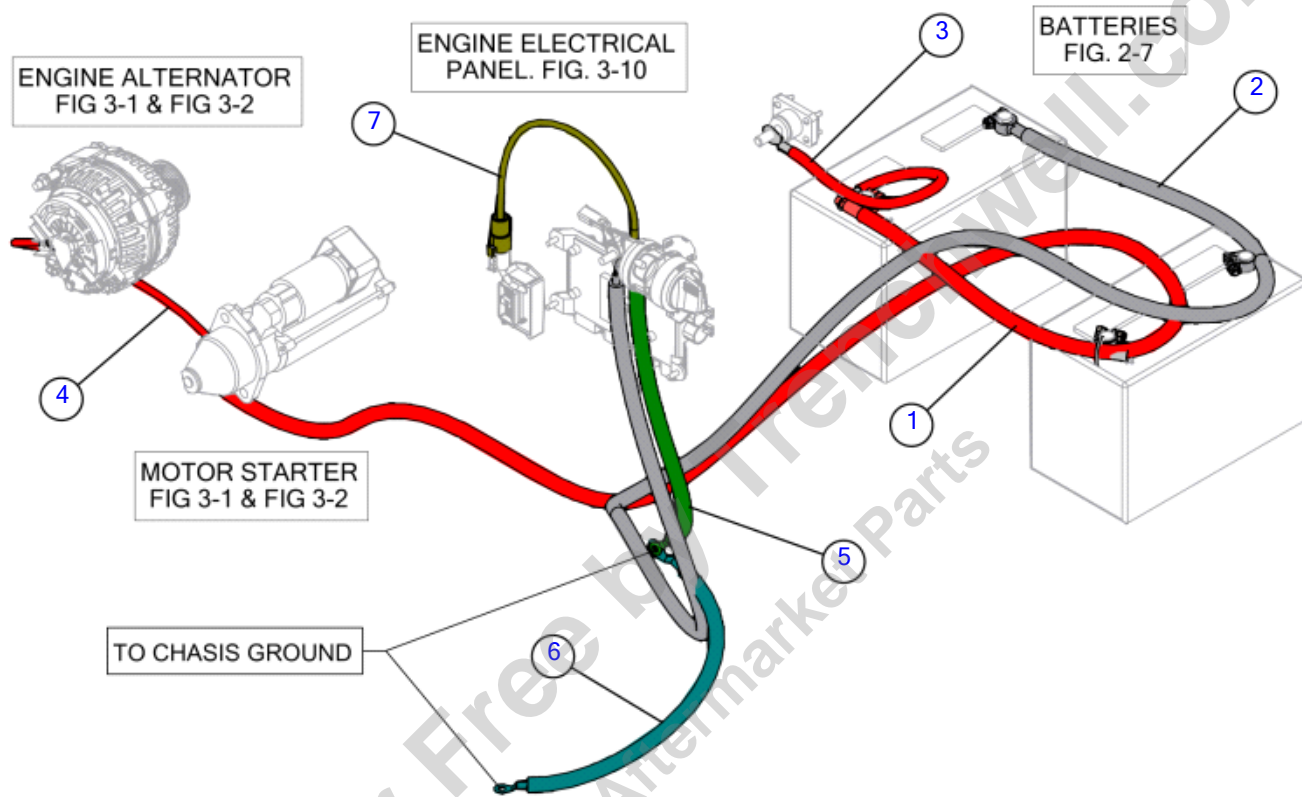


Illustration No. 296372643 - Not For Ordering

Cables-Power & Ground

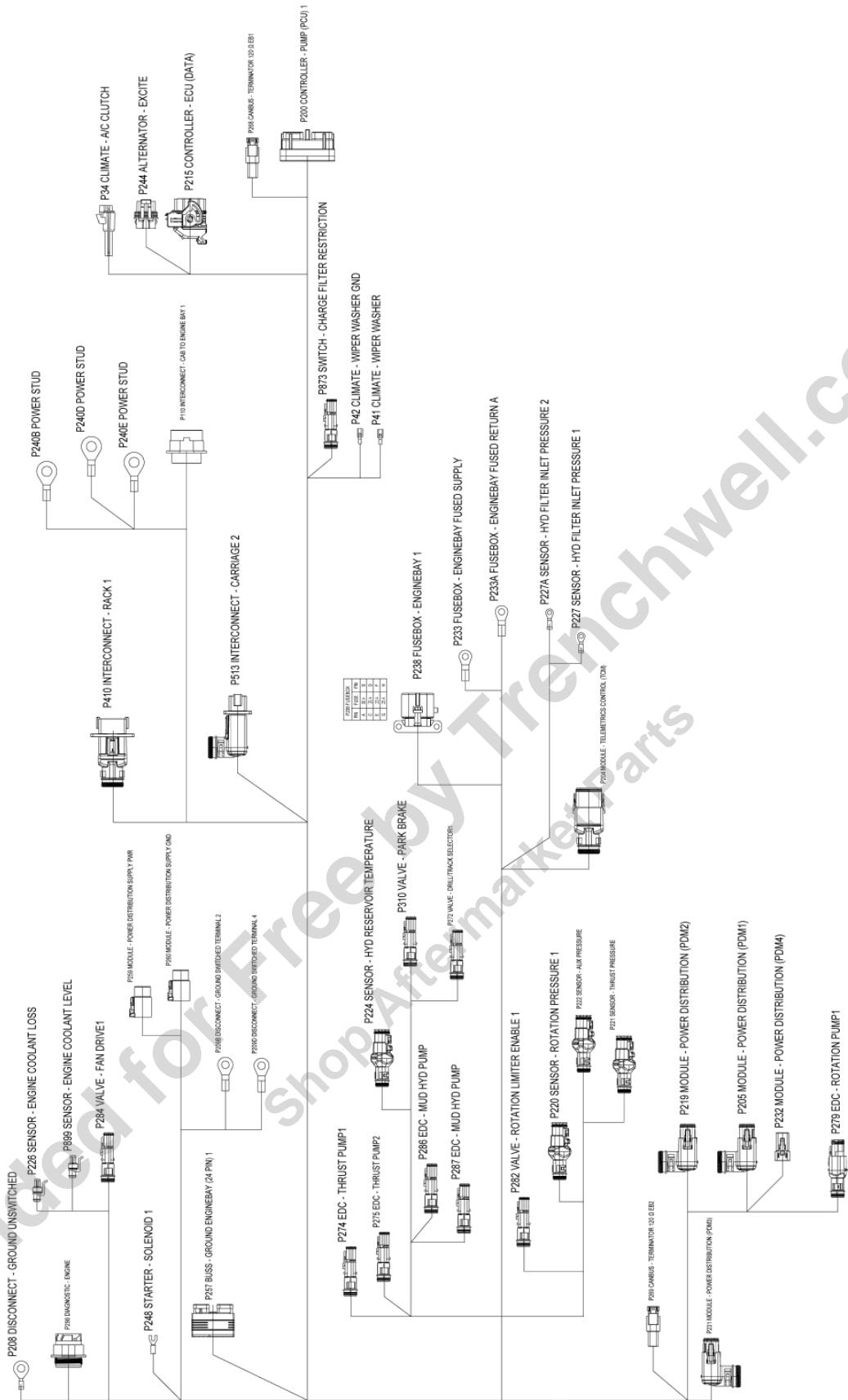
Fig 13-18

REF NO.	PART NO.	DESCRIPTION	QTY.	REMARKS
1	296372636	CABLE-BATTERY+ TO STARTER	1	
2	296372637	CABLE-BATTERY- TO DISCONNECT	1	
3	296372638	CABLE- AUXILIARY POWER	1	
4	296372639	CABLE-ALTERNATOR TO STARTER	1	
5	296372640	CABLE-ENGINE GND	1	
6	296372641	CABLE-CHASSIS GND	1	
7	296372654	CABLE-ENGINE BAY GROUND	1	

Provided for Free by Trenchwell.com
Shop Aftermarket Parts

Harness-Engine Bay (Tier 3)

Fig 13-19



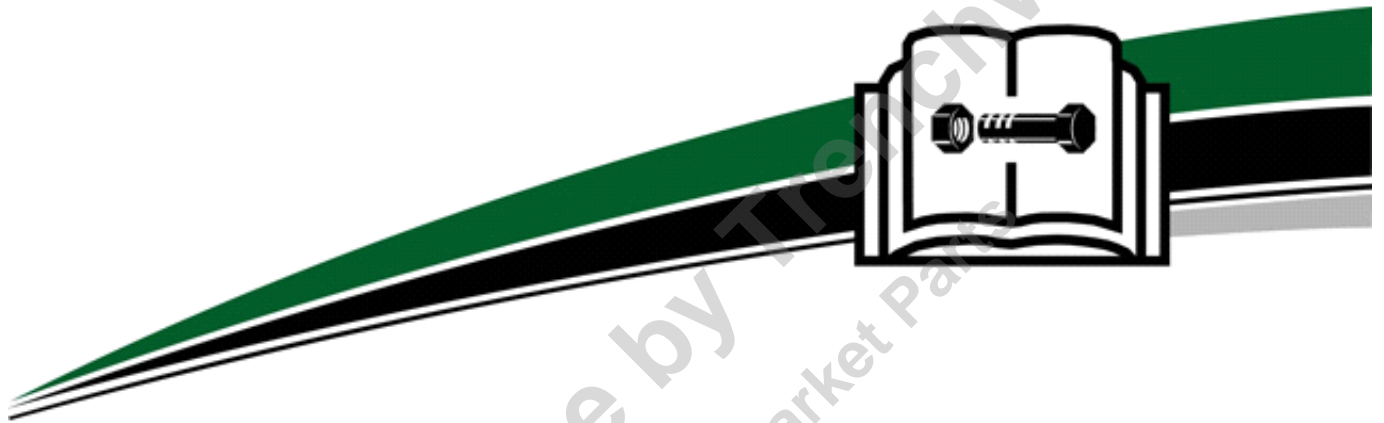
Harness-Engine Bay (Tier 3)

Fig 13-19

REF NO.	PART NO.	DESCRIPTION	QTY.	REMARKS
1	296372656	HARNESS-ENGINE BAY (TIER 3)	1	

Provided for Free by Trenchwell.com
Shop Aftermarket Parts

Hydraulic Routings



Hydraulic Routings

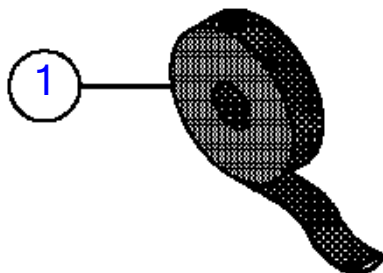
Hydraulic Supplies	Fig	14-01
Oil, Fluids & Lubricants	Fig	14-02
Undercarriage Hose Kit	Fig	14-03
Undercarriage High Pressure Hose Kit	Fig	14-04
Engine Bay Hose Kit (SN 101-1063)	Fig	14-05
Engine Bay Hose Kit (SN 1064-)	Fig	14-05R01
Engine Bay High Pressure Hose Kit	Fig	14-06
Carriage Hose Kit	Fig	14-07
Carriage High Pressure Hose Kit	Fig	14-08
Hose Carrier Hose Kit	Fig	14-09
Hose Carrier High Pressure Hose Kit	Fig	14-10
Rod Loader Hose Kit	Fig	14-11
Vise Hose Kit	Fig	14-12
5 Gallon Greaser Hose Kit	Fig	14-13
Standard Stakedown Hose Kit	Fig	14-14
Aggressive Stakedown Hose Kit	Fig	14-15
50 GPM Apex Water Pump Hose Kit	Fig	14-16
50 GPM Apex Water Pump Hose Kit (SN 394-693)	Fig	14-16R01
50 GPM Apex Water Pump Hose Kit (SN 694-)	Fig	14-16R02
50 GPM Apex Water Pump High Pressure Hose Kit	Fig	14-17
50 GPM FMC Water Pump Hose Kit (SN 101-693)	Fig	14-18
GPM FMC Water Pump High Pressure (SN 694-)	Fig	14-18R01
50 GPM FMC Water Pump High Pressure Hose Kit	Fig	14-19
NON Water Pump Hose Kit	Fig	14-20

Provided for Free by Trenchwell.com
Shop Aftermarket Parts

Hydraulic Supplies

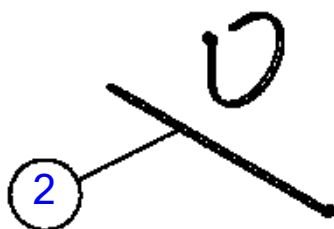
Fig 14-01

CORDURA SLEEVES

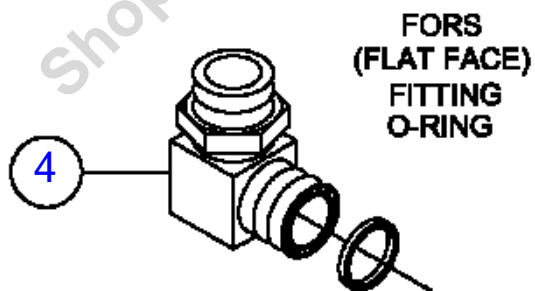
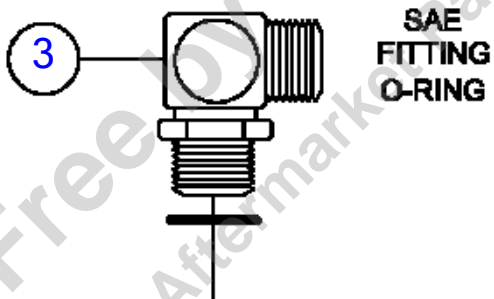


NOTE: SPECIFY LENGTH WHEN ORDERING

TIE STRAPS



O-RINGS



NOTE: O-RINGS LISTED ARE 90 DUROMETER

Hydraulic Supplies

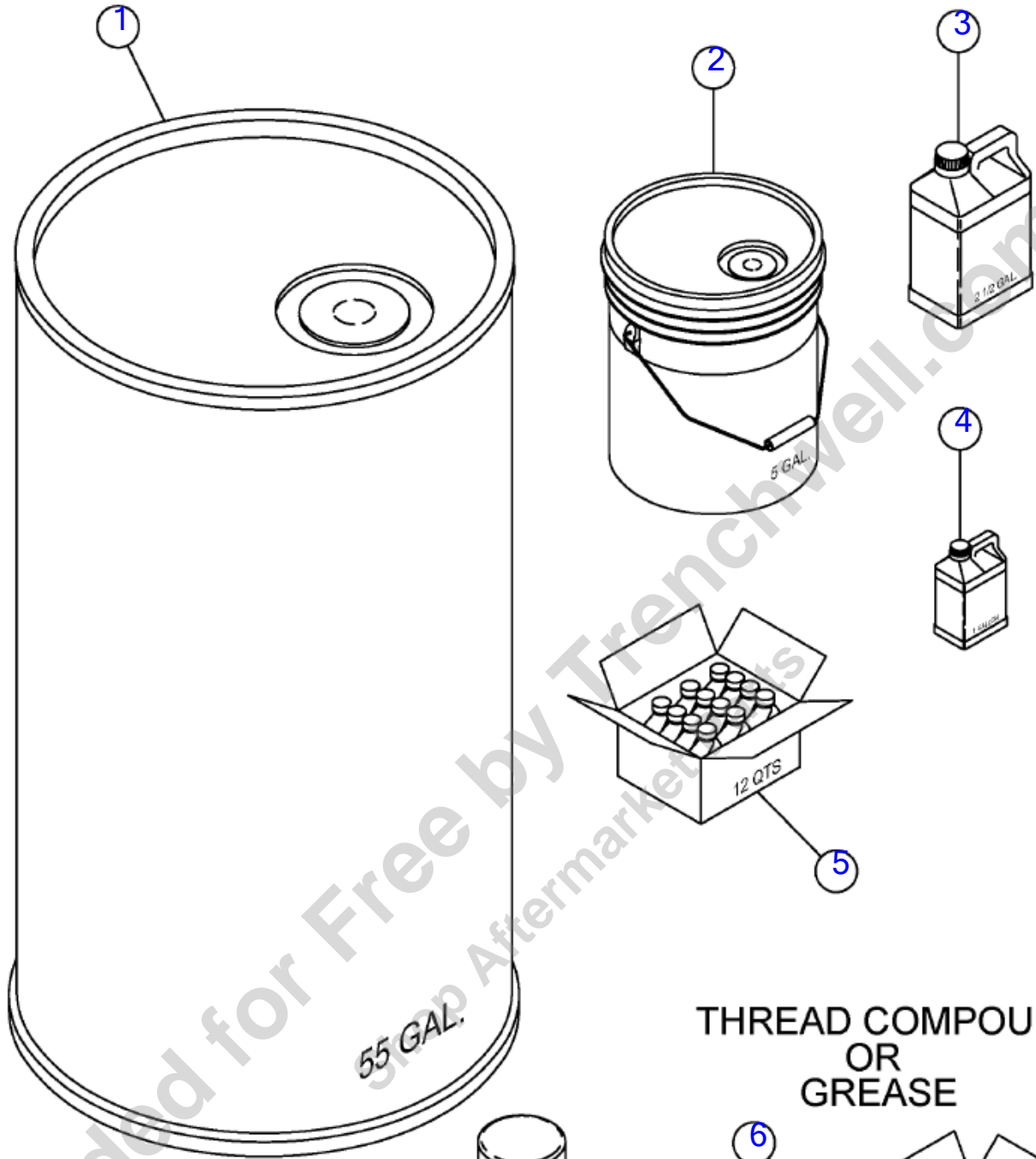
Fig 14-01

REF NO.	PART NO.	DESCRIPTION	QTY.	REMARKS
		CORDURA SLEEVES		
1	83726001	CORDURA SLEEVE-.090WALLX.71ID.		Specify Length When Ordering
1	66094001	CORDURA SLEEVE .090WALL 1.22ID		Specify Length When Ordering
1	67264001	CORDURA SLEEVE .090WALL 1.42ID		Specify Length When Ordering
1	69129001	SLEEVE-CORDURA 1.59ID		Specify Length When Ordering
1	53840001	CORDURA SLEEVE-.090WALL1.81 ID		Specify Length When Ordering
1	53841001	CORDURA SLEEVE-.090WALL 2.37ID		Specify Length When Ordering
1	235824001	CORDURA SLEEVE-NHS-090		Specify Length When Ordering
		TIE STRAPS		
2	78657001	STRAP-CABLE TIE 4" T18R		
2	59634001	SINGLE NYTIE - 8"		
2	58151001	STRAP-CABLE TIE-T120R-0 15"		
		O-RINGS (SAE)		
3	78185027	O-RING # 407228		
3	53649081	ORING		
3	59088057	O-RING AS-906-C90		
3	59088053	O-RING SAE 8		
3	792029	ORING		
3	78518037	ORING		
3	(3152013)	SEAL-O-RING GRESEN 2708-001		
3	793017	ORING		
3	(3155015)	SEAL-O-RING GRESEN 2709-001		
3	81580001	O-RING # AS-916-090		
3	93316001	O-RING AS-920-C90		
		O-RINGS (FORS)		
4	4485011	O-RING-250003-903 (90D) 5/16" ID X 7/16" OD		90 Durometer
4	(93843001)	ORING-AS-011-C90 FOR#4ORS FIT		90 Durometer
4	1749025	SEAL ORING 15007 90D		90 Durometer
4	(93844001)	ORING-AS-012-C90 FOR #6ORS FIT		90 Durometer
4	16138031	ORING		90 Durometer
4	(93845001)	ORING-AS-014-C90 FOR#8ORS FIT.		90 Durometer
4	93846001	O-RING-AS-016-C90 FOR#10ORS FIT		90 Durometer
4	93847001	O-RING-AS-018-C90 FOR#12ORS FIT		90 Durometer
4	19876047	O-RING - 405895 90D		90 Durometer
4	(93848001)	ORING-AS-021-C90 FOR#16ORS FIT		90 Durometer
4	93849001	O-RING-AS-025-C90 FOR#20ORS FIT		90 Durometer
4	93850001	O-RING-AS-029-C90 FOR#24ORS FIT		90 Durometer

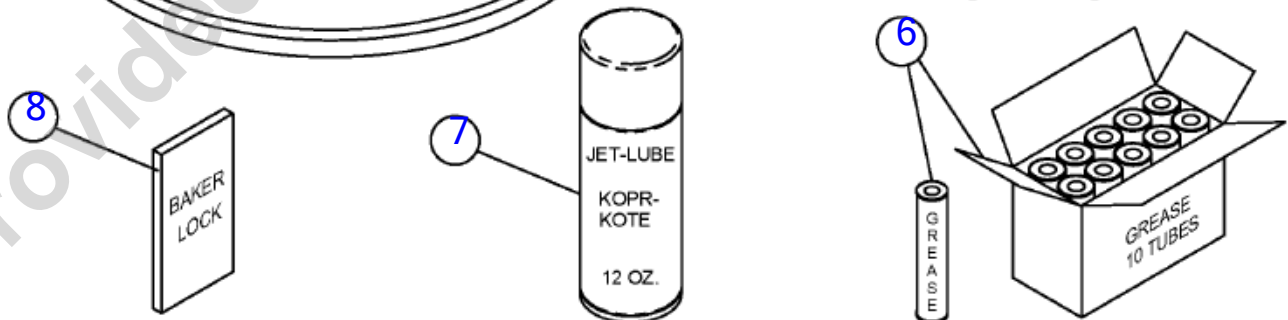
Oil, Fluids & Lubricants

Fig 14-02

MOTOR OIL, HYD FLUID, HYD OIL, TRANSMISSION FLUID, ETC.



THREAD COMPOUND
OR
GREASE



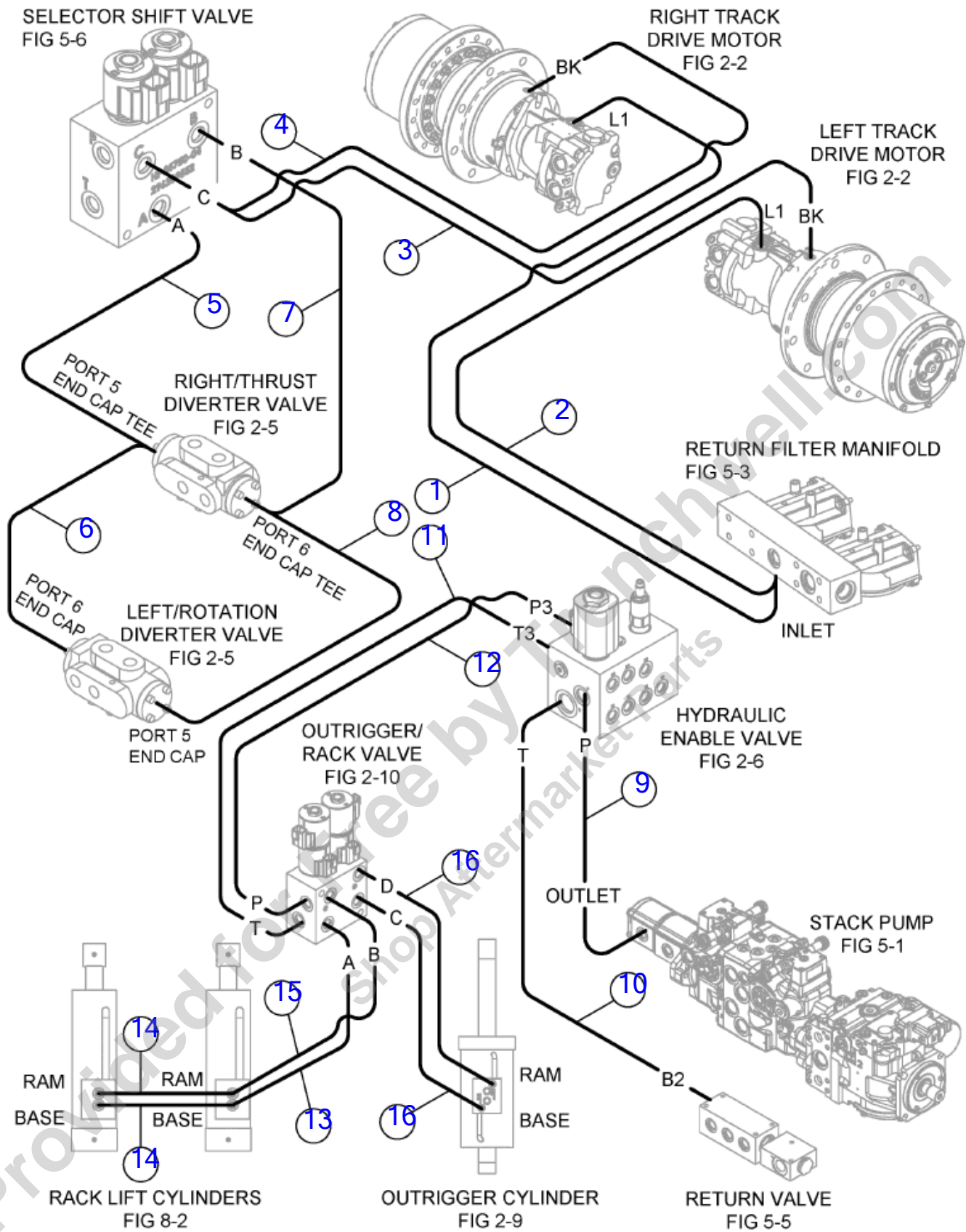
Oil, Fluids & Lubricants

Fig 14-02

REF NO.	PART NO.	DESCRIPTION	QTY.	REMARKS
		55 GALLON		
1	99661005	ULTRA GOLD 15W40 55 GALLON DRUM		
1	104155005	ULTRA GOLD 30W 55 GALLON DRUM		
1	99662005	ULTRA GOLD VMF HYD FLUID 55 DRUM		
1	101518005	ULTRA GOLD HY-POWER 68 55 GALLON DRUM		
1	101519005	ULTRA GOLD HY-POWER 100 55 GALLON DRUM		
1	621584005	ULTRA GOLD HY-POWER 46 HYD OIL 55 GAL.		
1	99663005	ULTRA GOLD 80/90WGEAR OIL 55 DRUM		
1	144569982	MOBIL EAL224H 55 GALLON DRUM		
		5 GALLON		
2	99661003	ULTRA GOLD 15W40 5 GALLON PAIL		
2	142939003	ULTRA GOLD 10W/30 5 GAL PAIL		
2	99662003	ULTRA GOLD VMF HYD FLUID 5 GALLON PAIL		
2	101519003	ULTRA GOLD HY-POWER 100 5 GALLON PAIL		
2	621584003	ULTRA GOLD HY-POWER 46 HYD OIL 5 GALLON		
2	125653003	ULTRA GOLD ATF 5 GALLON		
2	99663003	ULTRA GOLD 80W90 TRANS 5 GALLON PAIL		
2	101518003	HY-POWER 68 HYD OIL 5 GALLON		
2	127732003	HYD. OIL-BIODEGRADABLE (5 GAL)		
		2 1/2 GALLON		
3	99661002	ULTRA GOLD 15W40 CASE 2 2 1/2 GALLON JUGS		
3	99662002	ULTRA GOLD VMF HYD 2 2 1/2 GALLON JUGS		
3	101518002	ULTRA GOLD HY-POWER 68 2 2 1/2 GALLON JUGS		
3	101519002	ULTRA GOLD HY-POWER 100 2 2 1/2 GALLON BUCKETS		
3	621584002	ULTRA GOLD HY-POWER 46 HYD OIL 2 1/2 GAL (CASE 2)		
3	125653002	ULTRA GOLD ATF FLUID 2 2 1/2 GALLON JUGS		
3	99663002	ULTRA GOLD 80W90 TRANS 2 1/2 case		
3	142939002	ULTRA GOLD 10W30 2 2 1/2 GALLON BUCKETS		
		1 GALLON		
4	101518007	ULTRA GOLD HY-POWER 68 MULTI-VISCOSITY BULK		
		12 QUARTS (CASE)		
5	99661008	ULTRA GOLD 15W40 CASE 12 QUARTS		
5	142939008	ULTRA GOLD 10W30 MOTOR OIL(12 QTS)		
5	216825008	ULTRA GOLD 75W90 SYNTHETIC 12 QUARTS		
5	247337008	50W OIL-NONDETERGENT(CASE 12 QUARTS)		
5	238858008	PL VMR ISO SYN GEAR 12QT/CS		
		10pc CASE (14oz TUBES)		
6	101562003	ULTRA GOLD ULTRA LC GREASE CASE OF 10 14OZ		
6	296262012	THRD CMPND-PLUSCO 135-SINGLE CARTRIDGE		
6	296274031	THREAD - SUMMER COMPOUND CARTRIDGE 30 PACK		
		12 oz. AEROSOL SPRAY CAN		
7	253339982	KOPR KOTE 12 OZ AEROSOL SPRAY CAN		
		2 oz. PACKETS		
8	247261985	BAKER LOCK		

Undercarriage Hose Kit

Fig 14-03



HOSE KIT: 296394126

Undercarriage Hose Kit

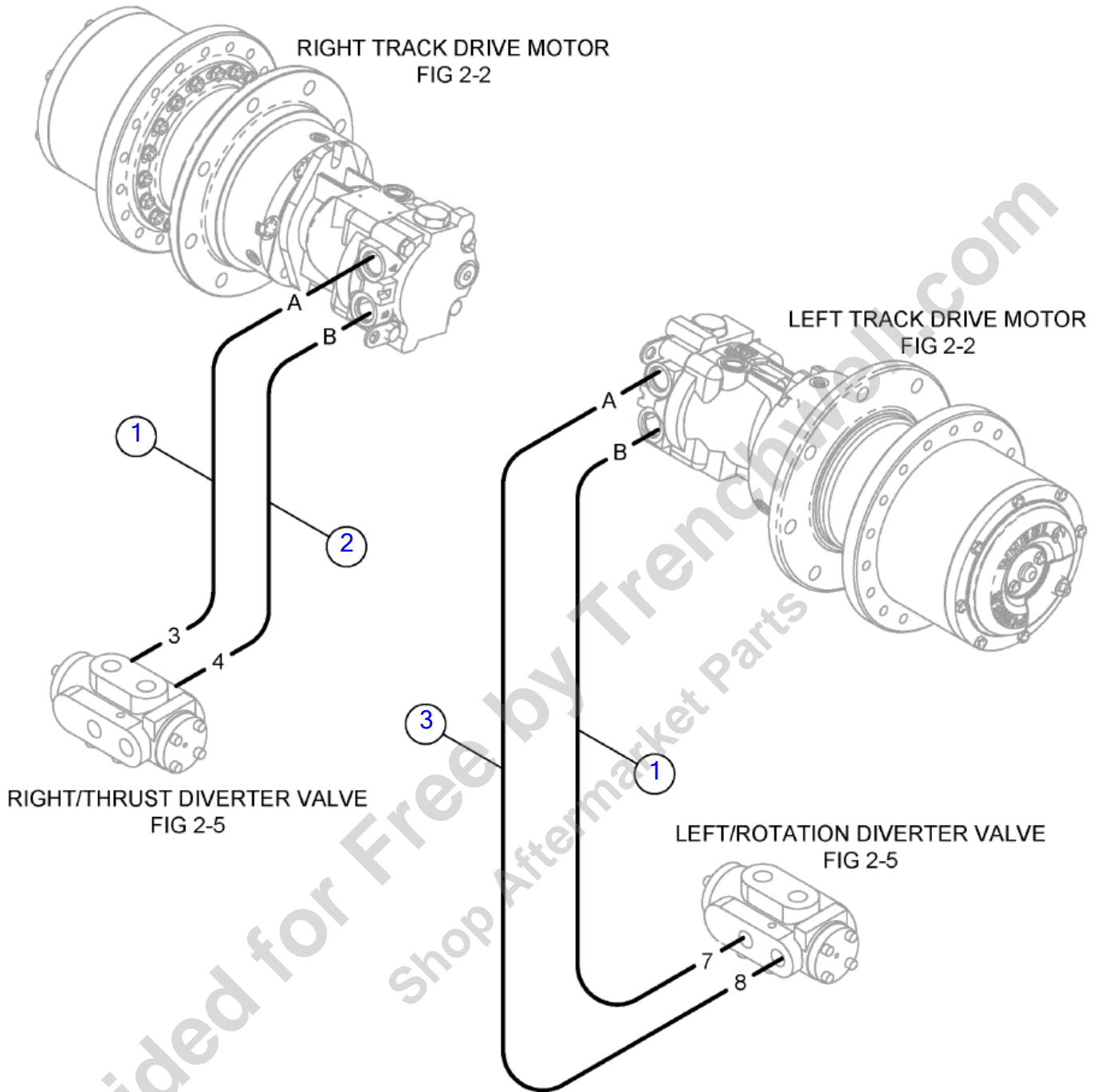
Fig 14-03

REF NO.	PART NO.	DESCRIPTION	QTY.	REMARKS
1	296438264	HOSE-HYD-.38X57-6FSJ	1	
2	296438265	HOSE-HYD-.38X89-6FSJ-6FSJ90	1	
3	53843237	HOSE-1/4X80 4FS JIC 3000 PSI	1	
4	296438263	HOSE-HYD-.25X59-4FSJ-4FSJ90	1	
5	296438257	HOSE-HYD-.25X44-4FSJ-4FSJ45	1	
6	53843041	HOSE-1/4X24 4FS JIC (100R1)	1	
7	296424712	HOSE-HYD-.25X45-4FSJ/4FSJ-3000PSI-100R17	1	
8	53843571	HOSE-1/4X15 4FS JIC ST/ST M3K	1	
9	296420496	HOSE-HYD-.50X51-8FSJ-8FSJ90L	1	
10	296438259	HOSE-HYD-.63X53-10FSJ	1	
11	296424708	HOSE-HYD-.38X18-6FSJ/6FSJ-3000PSI-100R17	1	
12	57940235	HOSE-HYD-.38X19-6FSJ-ST/ST-3000PSI-100R2	1	
13	57940477	HOSE-3/8X38 6FSJICST/6FSJC90	1	
14	278804001	HOSE-3/8X12 6FSJIC ST/90 M3K	2	
15	296424657	HOSE-HYD-.38X36-6FSJ-6FSJ90-3000PSI	1	
16	296424658	HOSE-HYD-.38X22-6FSJ-6FSJ90-3000PSI	2	

Provided for Free by Trenchwell.com
Shop Aftermarket Parts

Undercarriage High Pressure Hose Kit

Fig 14-04



HOSE KIT: 296394127

Undercarriage High Pressure Hose Kit

Fig 14-04

REF NO.	PART NO.	DESCRIPTION	QTY.	REMARKS
1	296420469	HOSE-HYD-.75X60-12GS-12FMX	2	
2	296420468	HOSE-HYD-.75X56-12GS-12FMX	1	
3	296424676	HOSE-HYD-.75X55-12GS-12FMX/12GS	1	

Provided for Free by Trenchwell.com
Shop Aftermarket Parts

Engine Bay Hose Kit (SN 101-1063)

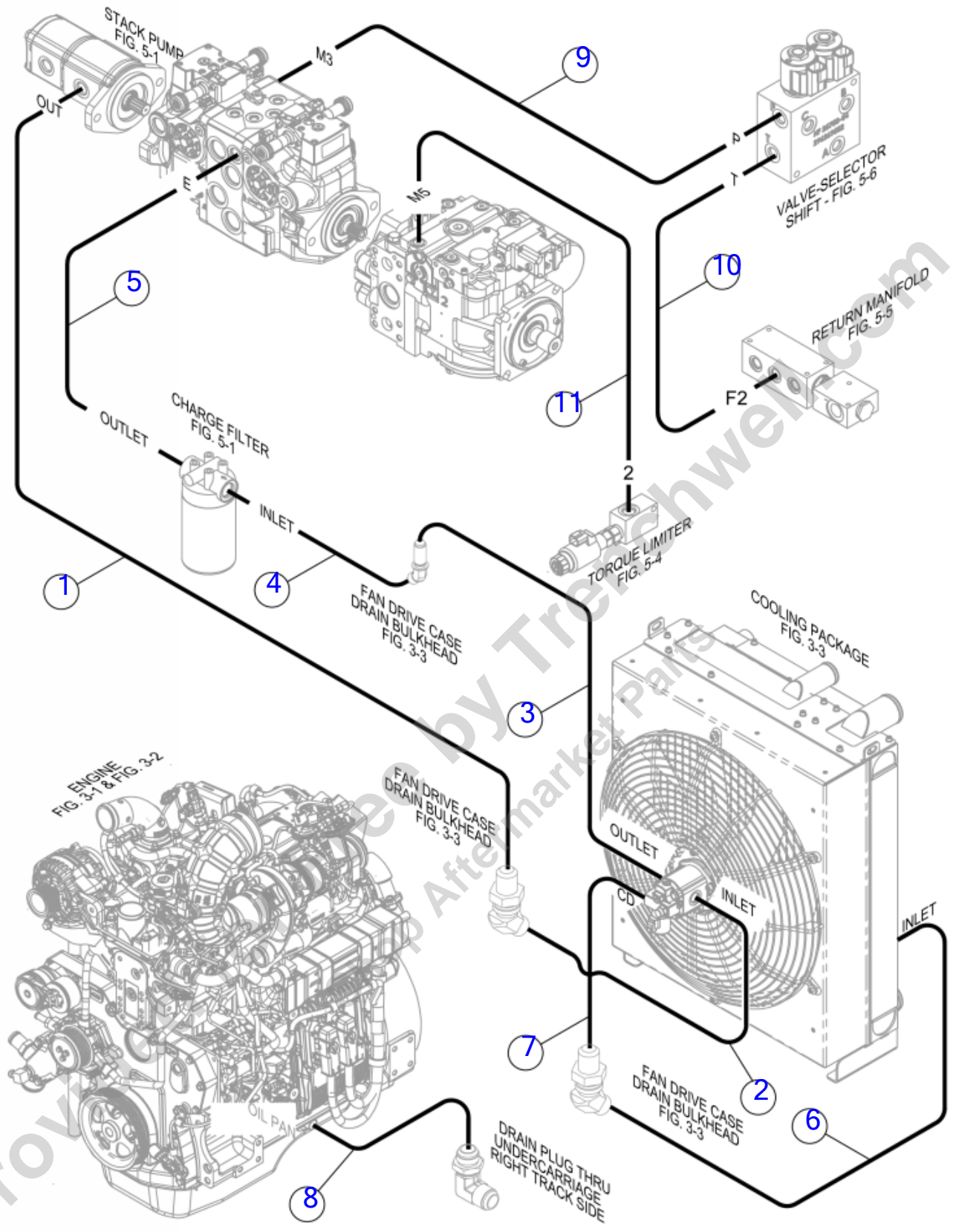
Fig 14-05

REF NO.	PART NO.	DESCRIPTION	QTY.	REMARKS
1	296438253	HOSE-HYD-.63X98-10FSJ	1	
2	296438267	HOSE-HYD-.63X25-10FSJ-10FSJ90	1	
3	296438266	HOSE-HYD-.63X23-10FSJ	1	
4	296438254	HOSE-HYD-.63X85-10FSJ	1	
5	296438255	HOSE-HYD-.63X32-10FSJ	1	
6	296438274	HOSE-HYD-.25X31-4FSJ45-4FSJ	1	
7	296438268	HOSE-HYD-.25X21-4FSJ	1	
8	296265869	HOSE - 5/8"X28" 10FS ST/ST 3000	1	
9	296438258	HOSE-HYD-.38x20-6FSJ/6FSJ-100R17	1	
10	57940235	HOSE-HYD-.38X19-6FSJ-ST/ST-3000PSI-100R2	1	
11	57940397	HOSE-3/8X20 6FS JIC 3000 PSI	1	

Provided for Free by Trenchwell.com
Shop Aftermarket Parts

Engine Bay Hose Kit (SN 1064-)

Fig 14-05R01



HOSE KIT: 296477998

Engine Bay Hose Kit (SN 1064-)

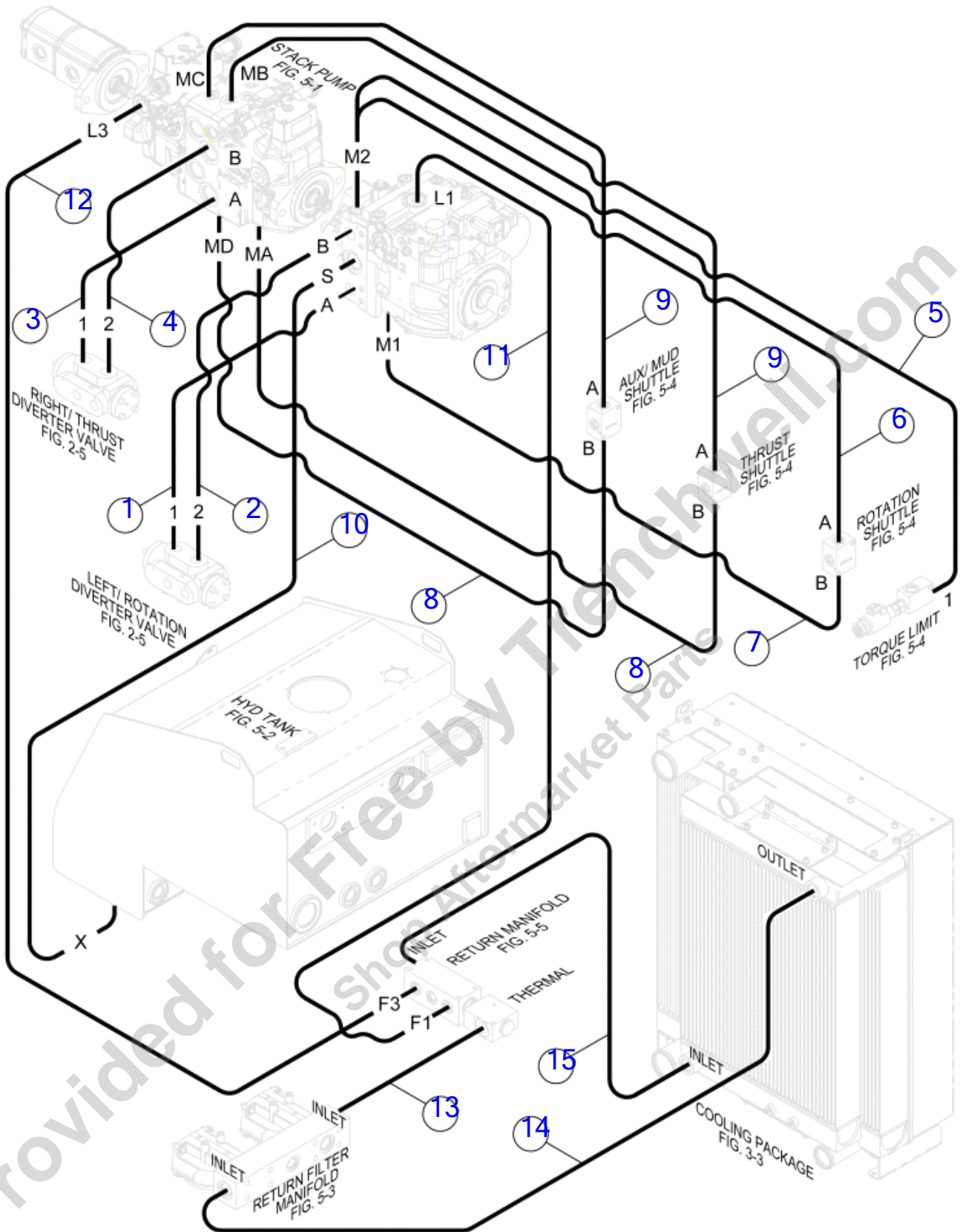
Fig 14-05R01

REF NO.	PART NO.	DESCRIPTION	QTY.	REMARKS
1	296438253	HOSE-HYD-.63X98-10FSJ	1	
2	296438267	HOSE-HYD-.63X25-10FSJ-10FSJ90	1	
3	296438266	HOSE-HYD-.63X23-10FSJ	1	
4	296438254	HOSE-HYD-.63X85-10FSJ	1	
5	296438255	HOSE-HYD-.63X32-10FSJ	1	
6	296438274	HOSE-HYD-.25X31-4FSJ45-4FSJ	1	
7	296438268	HOSE-HYD-.25X21-4FSJ	1	
8	296265869	HOSE - 5/8"X28" 10FS ST/ST 3000	1	
9	296438258	HOSE-HYD-.38x20-6FSJ/6FSJ-100R17	1	
10	57940235	HOSE-HYD-.38X19-6FSJ-ST/ST-3000PSI-100R2	1	
11	296477997	HOSE-HYD-.38X17-6FSJ/6FSJ90L-3000PSI - 100R17	1	

Provided for Free by Trenchwell.com
Shop Aftermarket Parts

Engine Bay High Pressure Hose Kit

Fig 14-06



HOSE KIT: 296394128

Engine Bay High Pressure Hose Kit

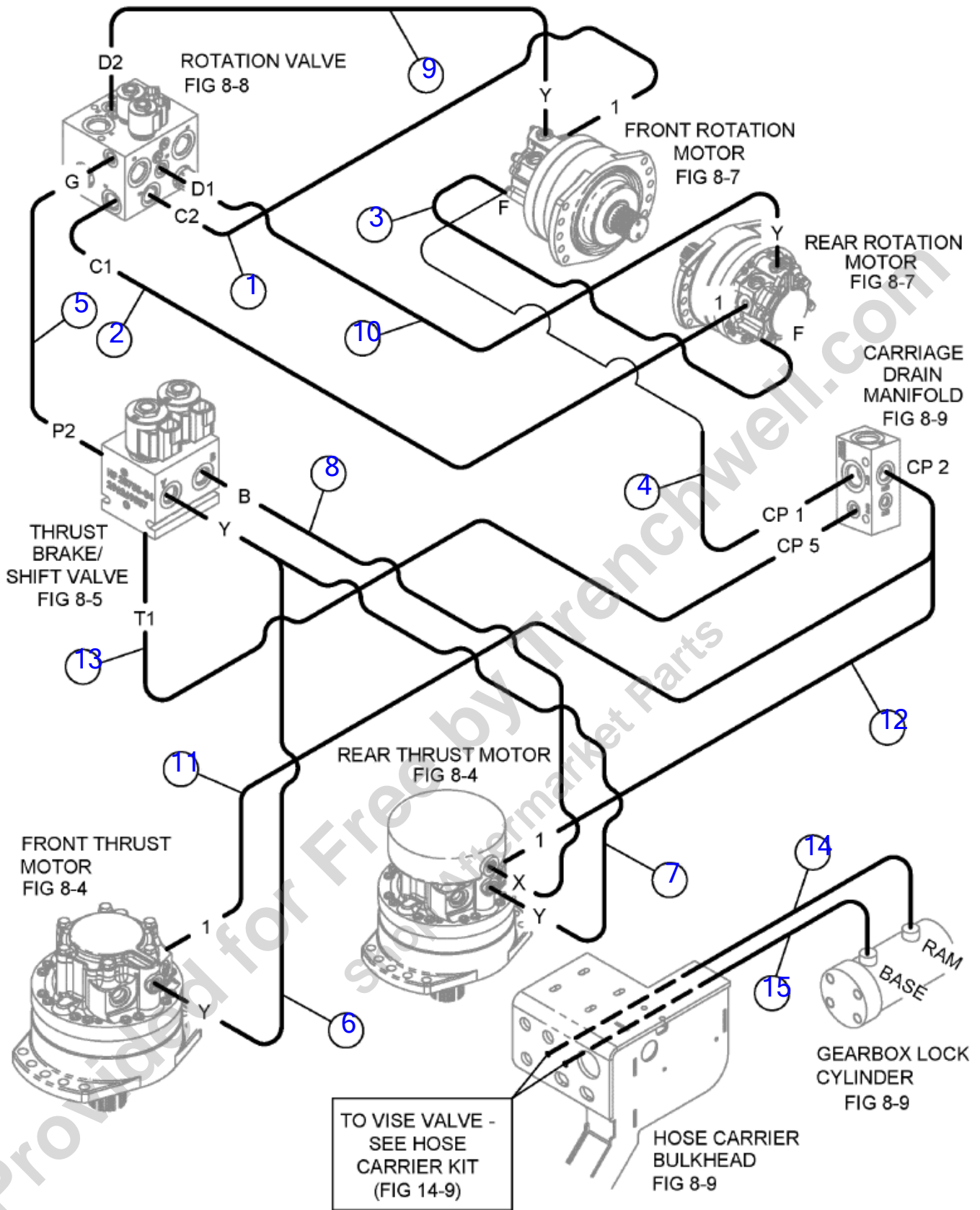
Fig 14-06

REF NO.	PART NO.	DESCRIPTION	QTY.	REMARKS
1	296420470	HOSE-HYD-.75X43-12GS-12FMX-12GS	1	
2	296420471	HOSE-HYD-.75X51-12GS-12FMX-12GS	1	
3	296420473	HOSE-HYD-.75X55-12GS-12FMX-12GS	1	
4	296420472	HOSE-HYD-.75X58-12GS-12FMX-12GS	1	
5	296443844	HOSE-HYD-.38X25-6FSJ/6FSJ90-6000PSI-100R15	1	
6	296443845	HOSE-HYD-.25X19-4FSJ/4FSJ90-6000PSI-100R2	1	
7	296438290	HOSE-HYD-.25X39-4FJX/4FJX90	1	
8	296438291	HOSE-HYD-.25X40-4FJX-6000PSI	2	
9	296438292	HOSE-HYD-.25X28-4FJX	2	
10	296420500	HOSE-SUCTION-1.00X22-16G-16FJX-16G	1	
11	296438251	HOSE-HYD-.63X15-10G-10FJX-10G	1	
12	296438252	HOSE-HYD-.75X15-12G-12FJX-12G	1	
13	296420499	HOSE-HYD-1.25X21-20G-20FJX	1	
14	296420498	HOSE-HYD-1.25X43-20G-20FJX-20G	1	
15	296420497	HOSE-HYD-1.25X68-20G-20FJX-20GE	1	

Provided for Free by Trenchwell.com
Shop Aftermarket Parts

Carriage Hose Kit

Fig 14-07



HOSE KIT: 296394131

Carriage Hose Kit

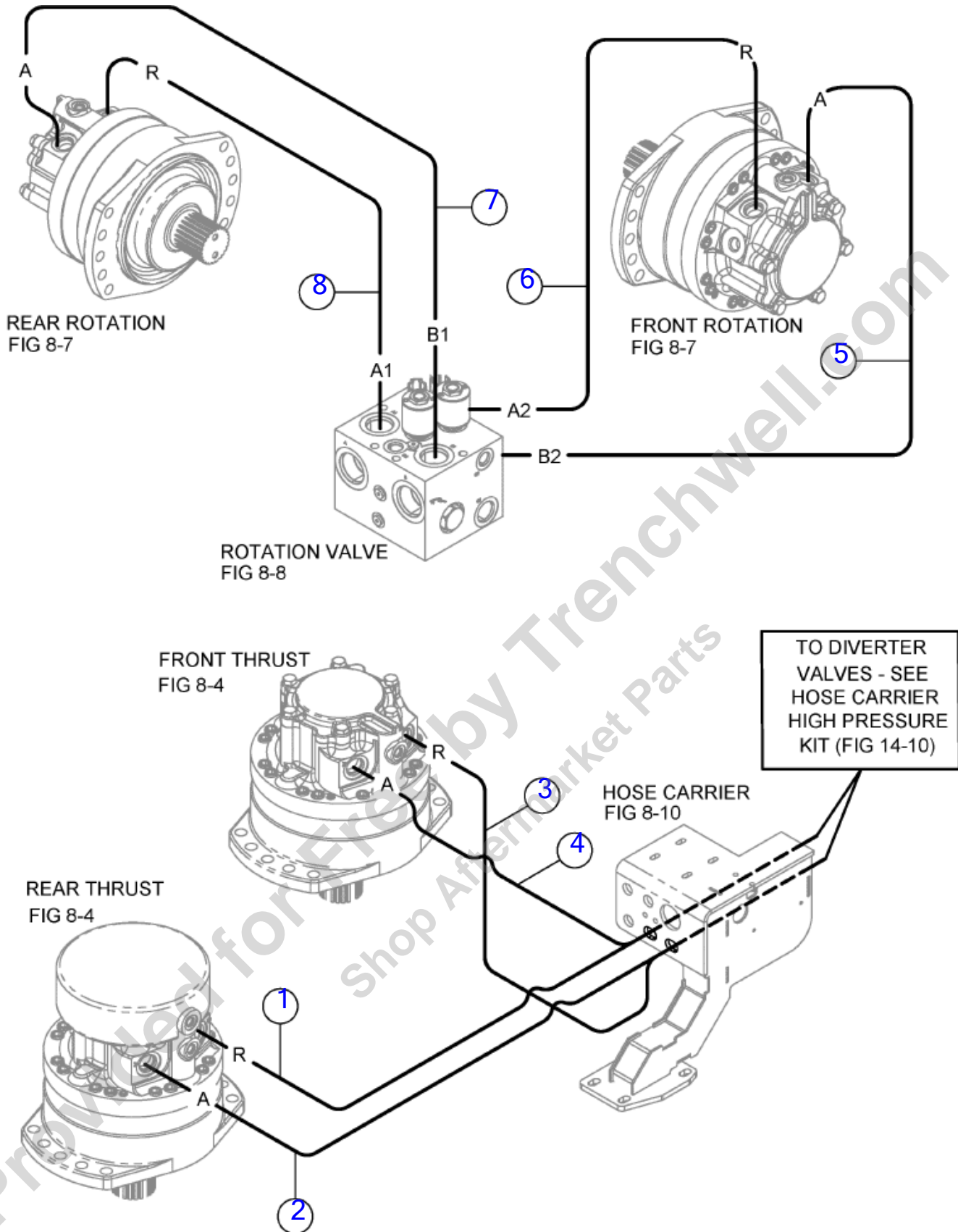
Fig 14-07

REF NO.	PART NO.	DESCRIPTION	QTY.	REMARKS
1	296375369	HOSE-HYD-0.375X22-06FJX90/06FJX-T3K6A	1	
2	57940631	HOSE-3/8X24 6FSJIC-6FSJIC 90	1	
3	296424732	HOSE-HYD-.50X33-8FSJ/8FSJ-45-250PSI-100R17	1	
4	296424669	HOSE-HYD-.63X44-10FSJ-10FSJ45-3000PSI	1	
5	296420487	HOSE-HYD-.25X47-4FSJ-FSJ45	1	
6	296325891	HOSE-HYD-.25X29-4JIC-ST/ST	1	
7	256110001	HOSE-1/4 X 18 4FS JIC ST/45 3000 PSI	1	
8	296454502	HOSE-HYD-.25X18-4FSJ/4FSJ-3000PSI-100R17	1	
9	53843239	HOSE-1/4X26 4FS JIC 3000 PSII	1	
10	296420492	HOSE-HYD-.25X18-4FSJ-4FSJ90	1	
11	53844157	HOSE-1/2X16 8FS JIC 3000 PSI	1	
12	296306032	HOSE-HYD-.50X31- 8FSJ-ST/45-3000PSI	1	
13	296420491	HOSE-HYD-.25X27-4FSJ-4FSJ90S	1	
14	296443913	HOSE-HYD-.25X24-4FSJ/4FSJ-3000PSI-100R17	1	
15	296375354	HOSE-HYD-0.25X20-04FJX/04FJX	1	

Provided for Free by Trenchwell.com
Shop Aftermarket Parts

Carriage High Pressure Hose Kit

Fig 14-08



Carriage High Pressure Hose Kit

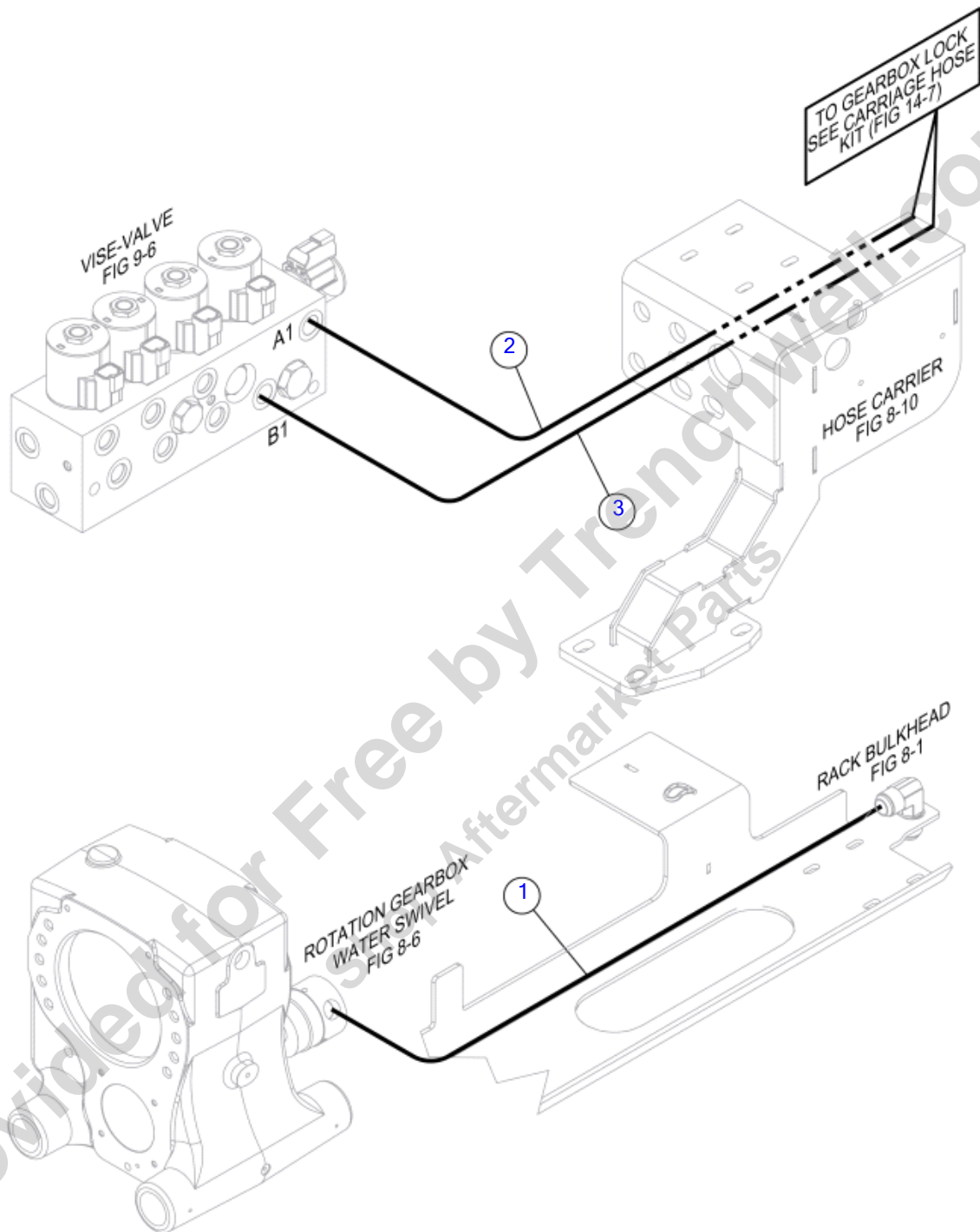
Fig 14-08

REF NO.	PART NO.	DESCRIPTION	QTY.	REMARKS
1	296420480	HOSE-HYD-.75X26-12GS-12FMX-12GS-12FMX90-048	1	
2	296420478	HOSE-HYD-.75X26-12GS-12FMX	1	
3	296443933	HOSE-HYD-.75X27-12GS-12FMX/12GS-12FMX45	1	
4	296443934	HOSE-HYD-.75X31-12GS-12FMX/12GS-12FMX45	1	
5	296420482	HOSE-HYD-.75X31-12GS-12FMX	1	
6	296420481	HOSE-HYD-.75X36.5-12GS-12FMX	1	
7	296420483	HOSE-HYD-.75X22-12GS-12FMX-12GS	1	
8	296420484	HOSE-HYD-.75X19-12GS-12FMX	1	

Provided for Free by Trenchwell.com
Shop Aftermarket Parts

Hose Carrier Hose Kit

Fig 14-09



HOSE KIT: 296304129

Hose Carrier Hose Kit

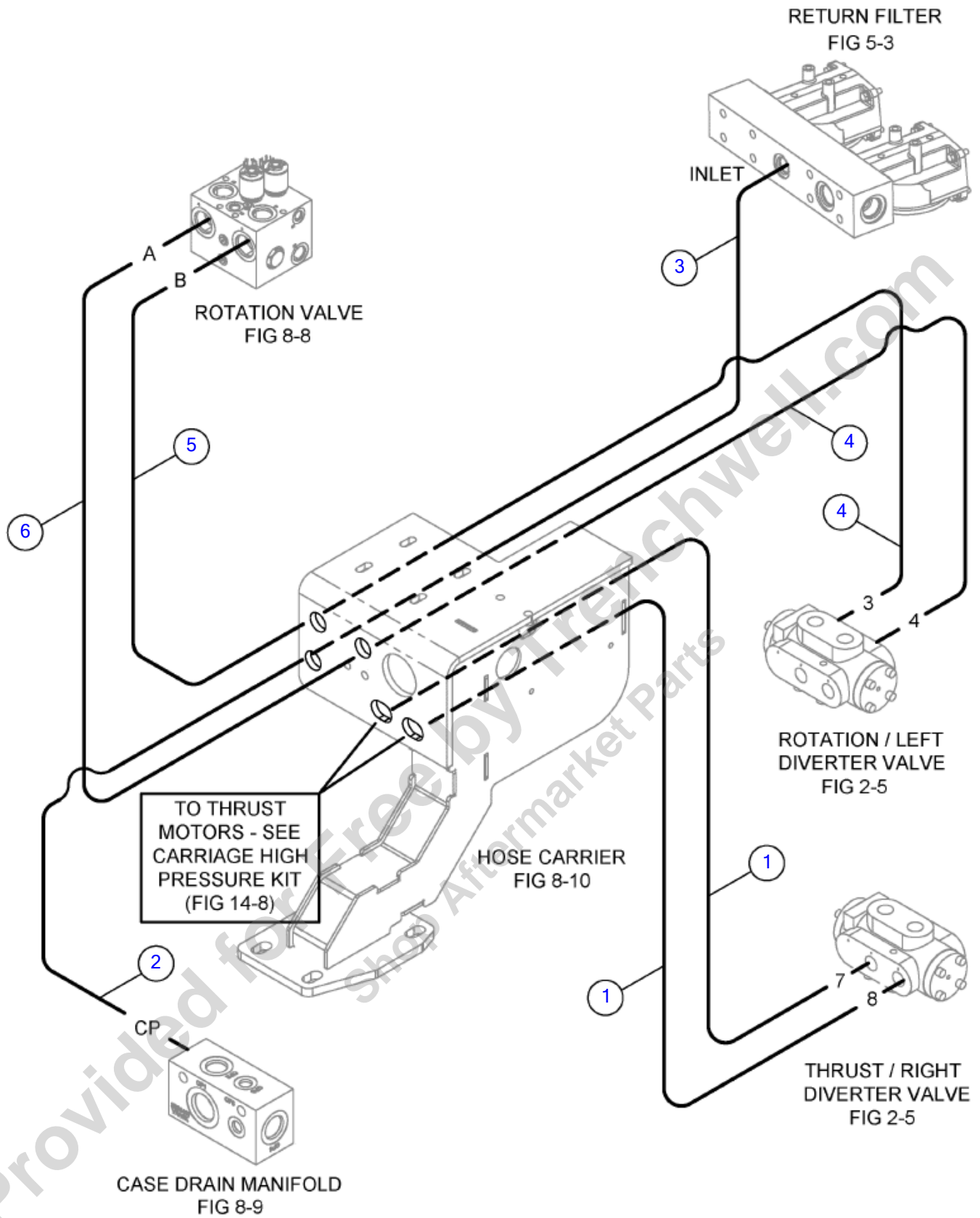
Fig 14-09

REF NO.	PART NO.	DESCRIPTION	QTY.	REMARKS
1	296420488	HOSE-HYD-1.00X166-16FSJ-16FSJ90L	1	
2	296477570	HOSE-HYD-.25X276-4FSJ/4FSJ-3000PSI-100R17	1	
3	296454513	HOSE-HYD-.25X276-4FSJ/4FSJ-3000PSI-100R17	1	

Provided for Free by Trenchwell.com
Shop Aftermarket Parts

Hose Carrier High Pressure Hose Kit

Fig 14-10



HOSE KIT:296394130

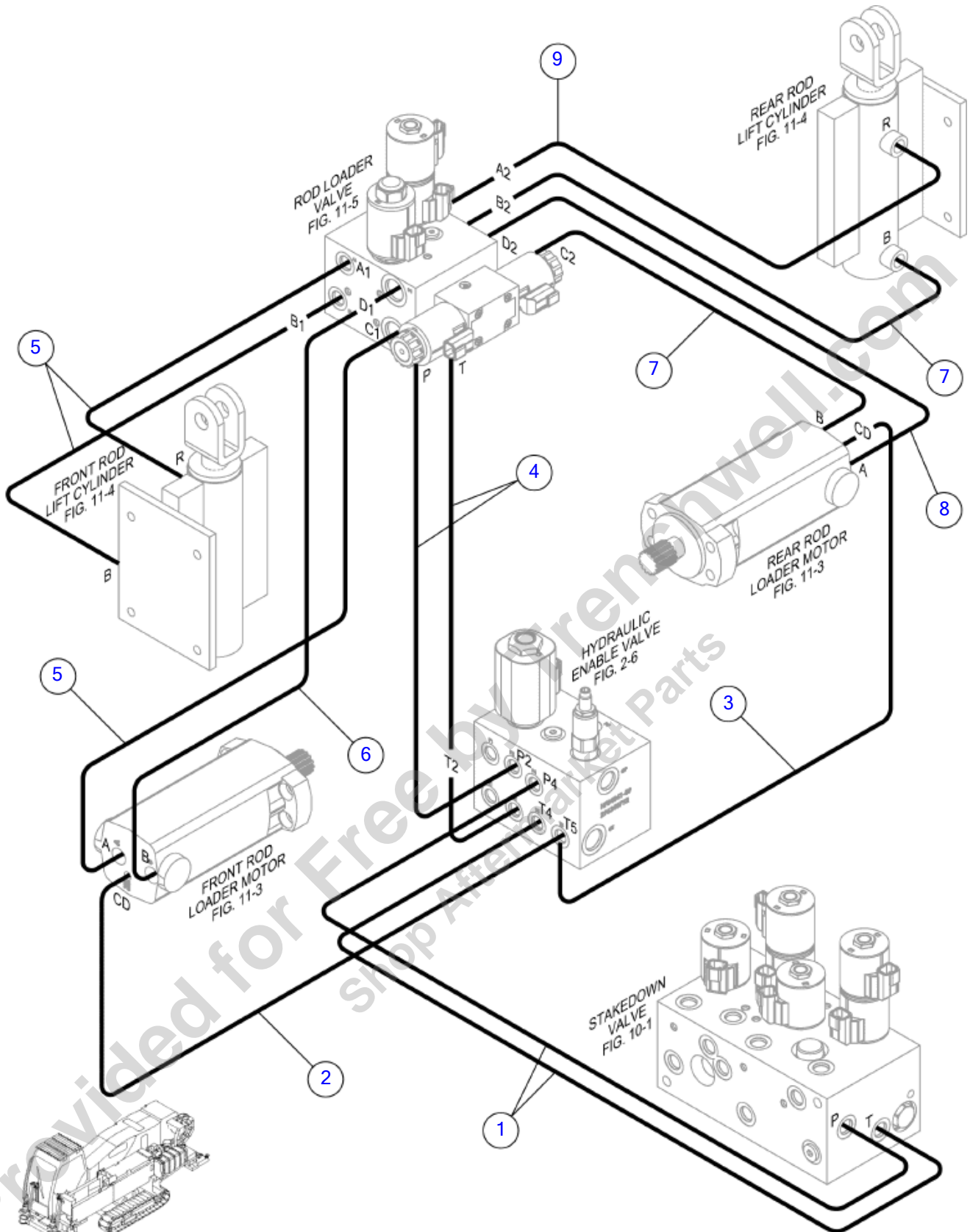
Hose Carrier High Pressure Hose Kit

Fig 14-10

REF NO.	PART NO.	DESCRIPTION	QTY.	REMARKS
1	296420476	HOSE-HYD-.75X169-12GS-12FMX	2	
2	296420486	HOSE-HYD-.75X18-12G-12FJX	1	
3	296438260	HOSE-HYD-.75X187-12GS-12FMX	1	
4	296420477	HOSE-HYD-.75X179-12GS-12FMX	2	
5	296420474	HOSE-HYD-.75X47-12GS-12FMX	1	
6	296420475	HOSE-HYD-.75X45-12GS-12FMX-12GS	1	

Provided for Free by Trenchwell.com
Shop Aftermarket Parts

Rod Loader Hose Kit
Fig 14-11



HOSE KIT : 296432169

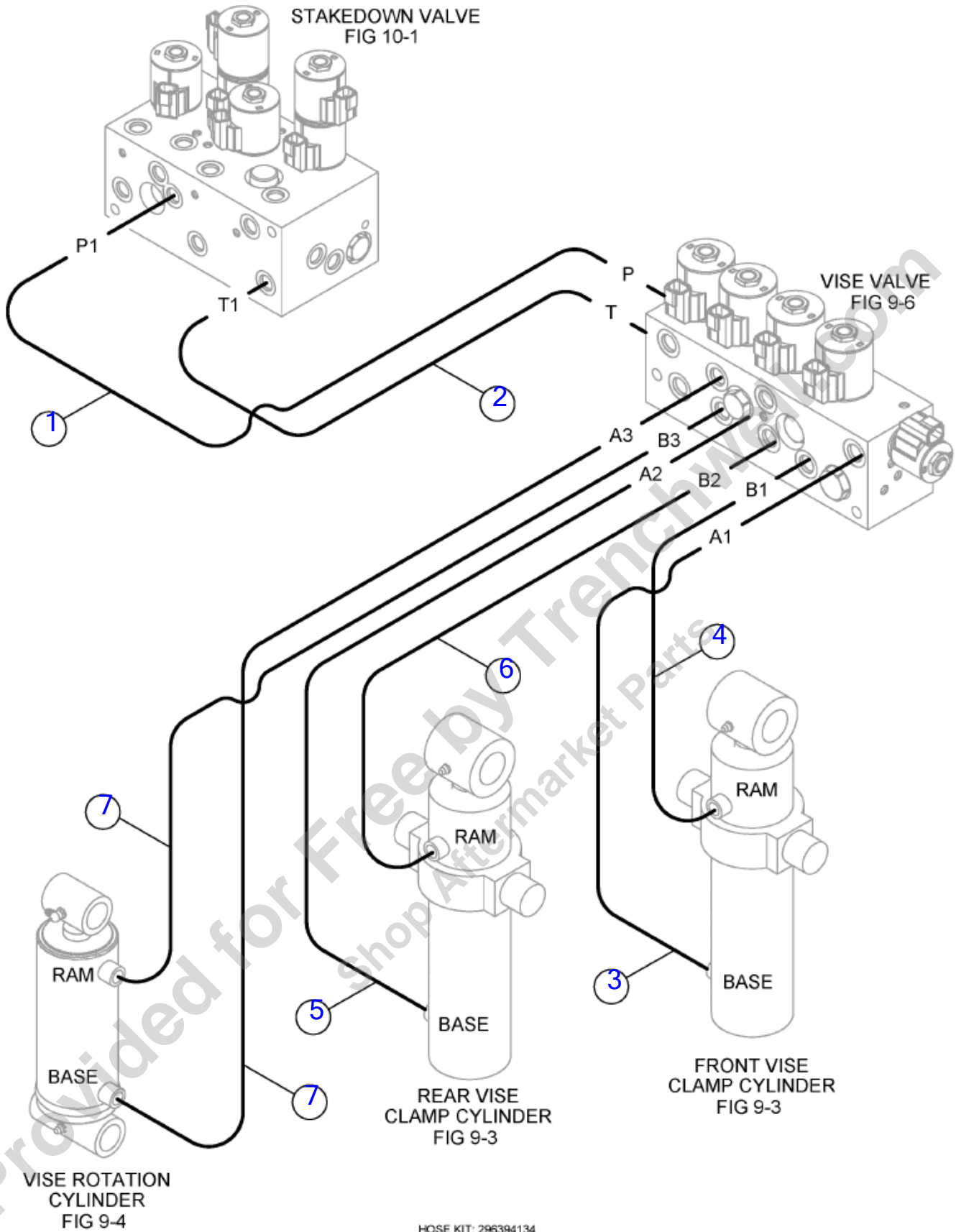
Rod Loader Hose Kit

Fig 14-11

REF NO.	PART NO.	DESCRIPTION	QTY.	REMARKS
1	296424648	HOSE-HYD-.38X138-6FSJ-6FSJ90	2	
2	296295802	HOSE-HYD-.25X104-4FSJ-ST/90-3000PSI	1	
3	296432184	HOSE-HYD-.25X38/5-4FSJ/4FSJ90-3000PSI-100R17	1	
4	260841001	HOSE-HYD-.38X28-6FSJ-ST/90-3000PSI-100R17-M3KMTF	2	
5	57940006	HOSE - 3/8 X 76 - 6FS JIC 3000 PSI	3	
6	296432212	HOSE-HYD-.38X77-6FSJ/6FSJ-3000PSI-100R17	1	
7	296424707	HOSE-HYD-.38X33-6FSJ/6FSJ-3000PSI-100R17	2	
8	296301712	HOSE-.38 X 34 6FSJ(USE 57940233)	1	
9	296432168	HOSE-HYD-.38X45-6FSJ/6FSJ	1	

Provided for Free by Trenchwell.com
Shop Aftermarket Parts

Vise Hose Kit
Fig 14-12



Vise Hose Kit

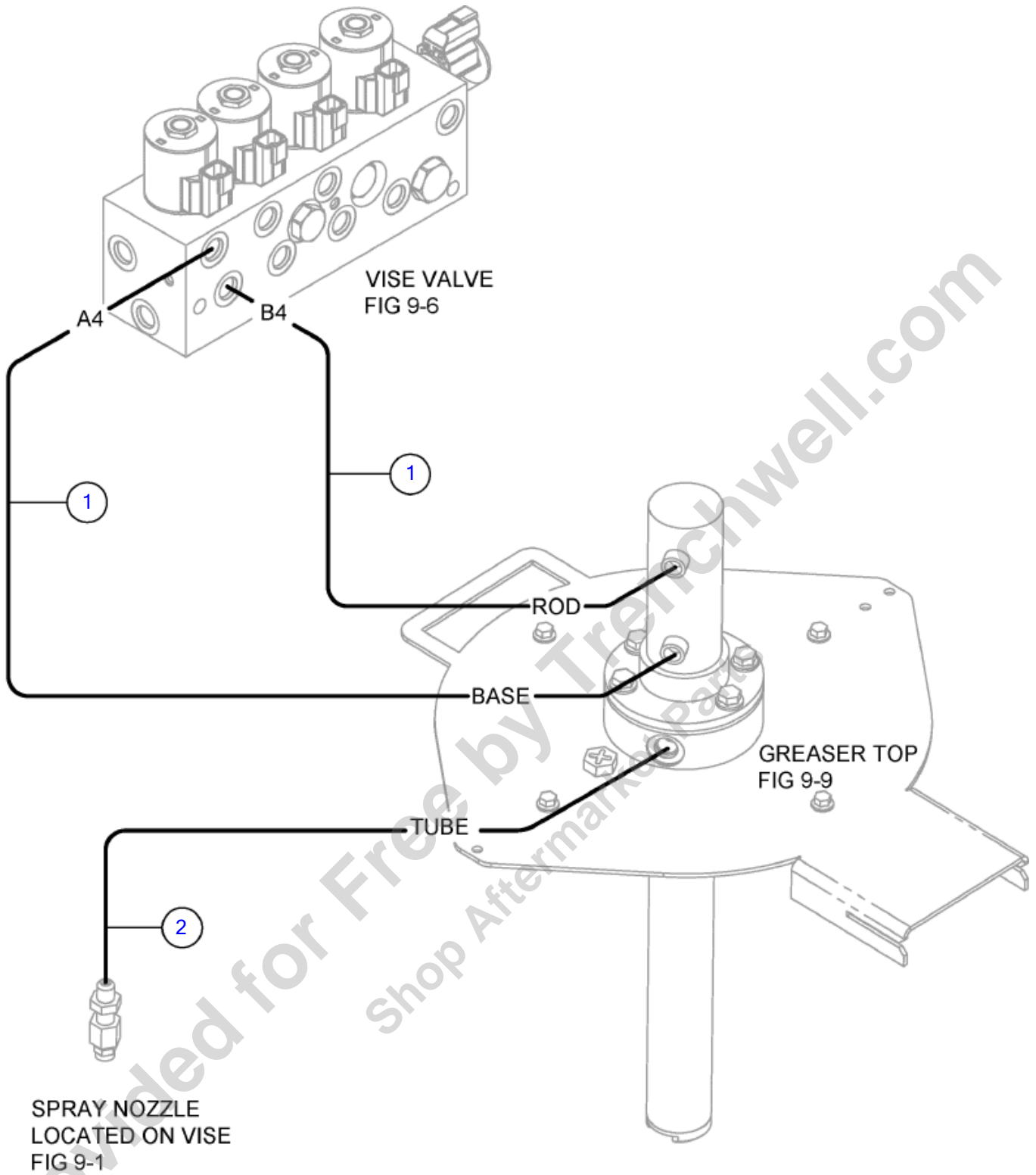
Fig 14-12

REF NO.	PART NO.	DESCRIPTION	QTY.	REMARKS
1	296432194	HOSE-HYD-.38X53-4FSJ/4FSJ90	1	
2	296432193	HOSE-HYD-.38X55-4FSJ/4FSJ90	1	
3	296424627	HOSE-HYD-.25X21-4FSJ-4FSJ45-3000PSI	1	
4	296424693	HOSE-HYD-.25X14-4FSJ/4FSJ-3000PSI-100R17	1	
5	296424634	HOSE-HYD-.25X24-4FSJ-4FSJ45-3000PSI	1	
6	296424635	HOSE-HYD-.25X19-4FSJ-3000PSI	1	
7	296424636	HOSE-HYD-.25X24-4FSJ-3000PSI	2	

Provided for Free by Trenchwell.com
Shop Aftermarket Parts

5 Gallon Greaser Hose Kit

Fig 14-13



HOSE KIT: 296424639

5 Gallon Greaser Hose Kit

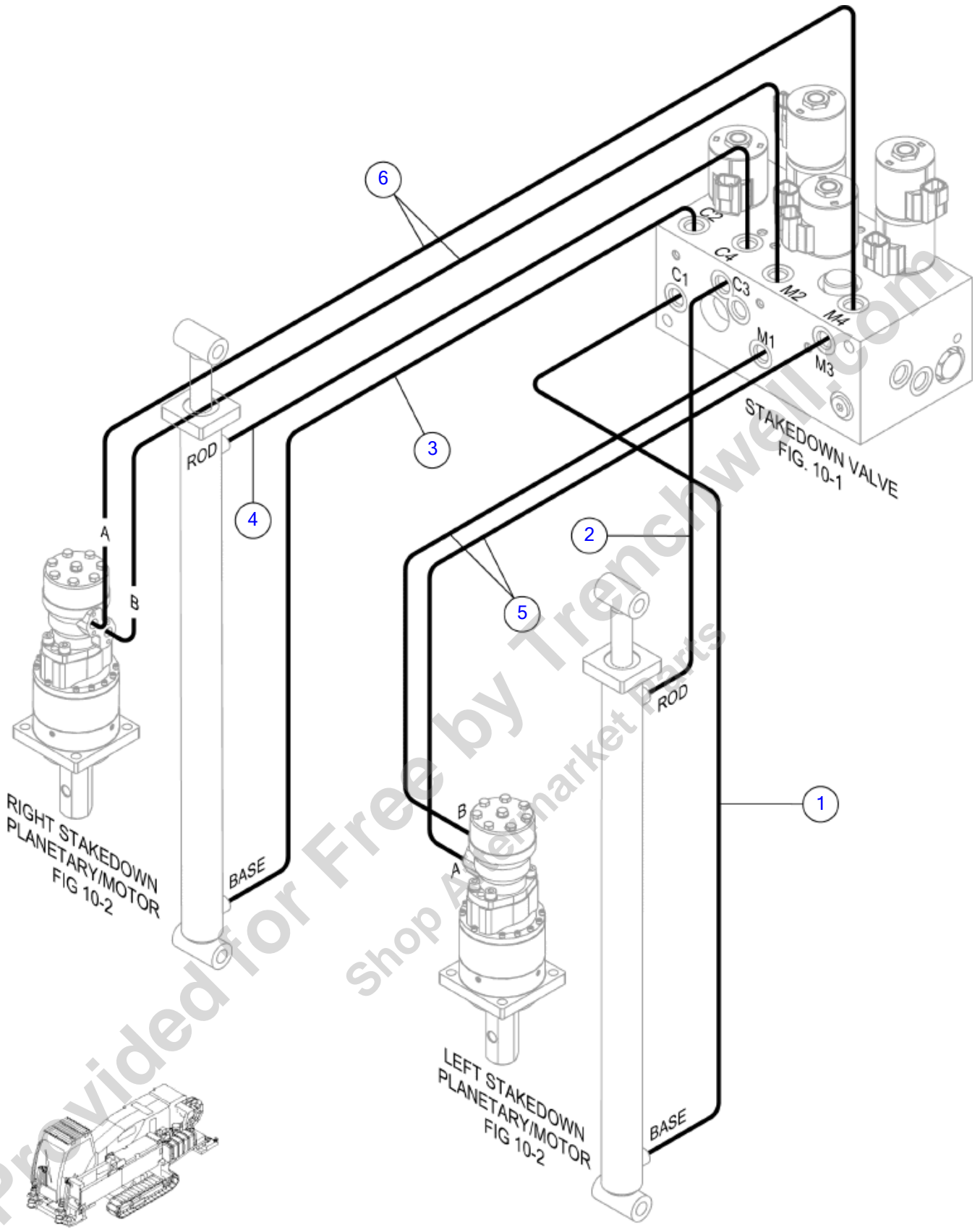
Fig 14-13

REF NO.	PART NO.	DESCRIPTION	QTY.	REMARKS
1	296438256	HOSE-HYD-.25X57-4FSJ	2	
2	53843659	HOSE-1/4X35 4FS JIC ST/90 3000 PSI	1	

Provided for Free by Trenchwell.com
Shop Aftermarket Parts

Standard Stakedown Hose Kit

Fig 14-14



HOSE KIT: 296394135

Standard Stakedown Hose Kit

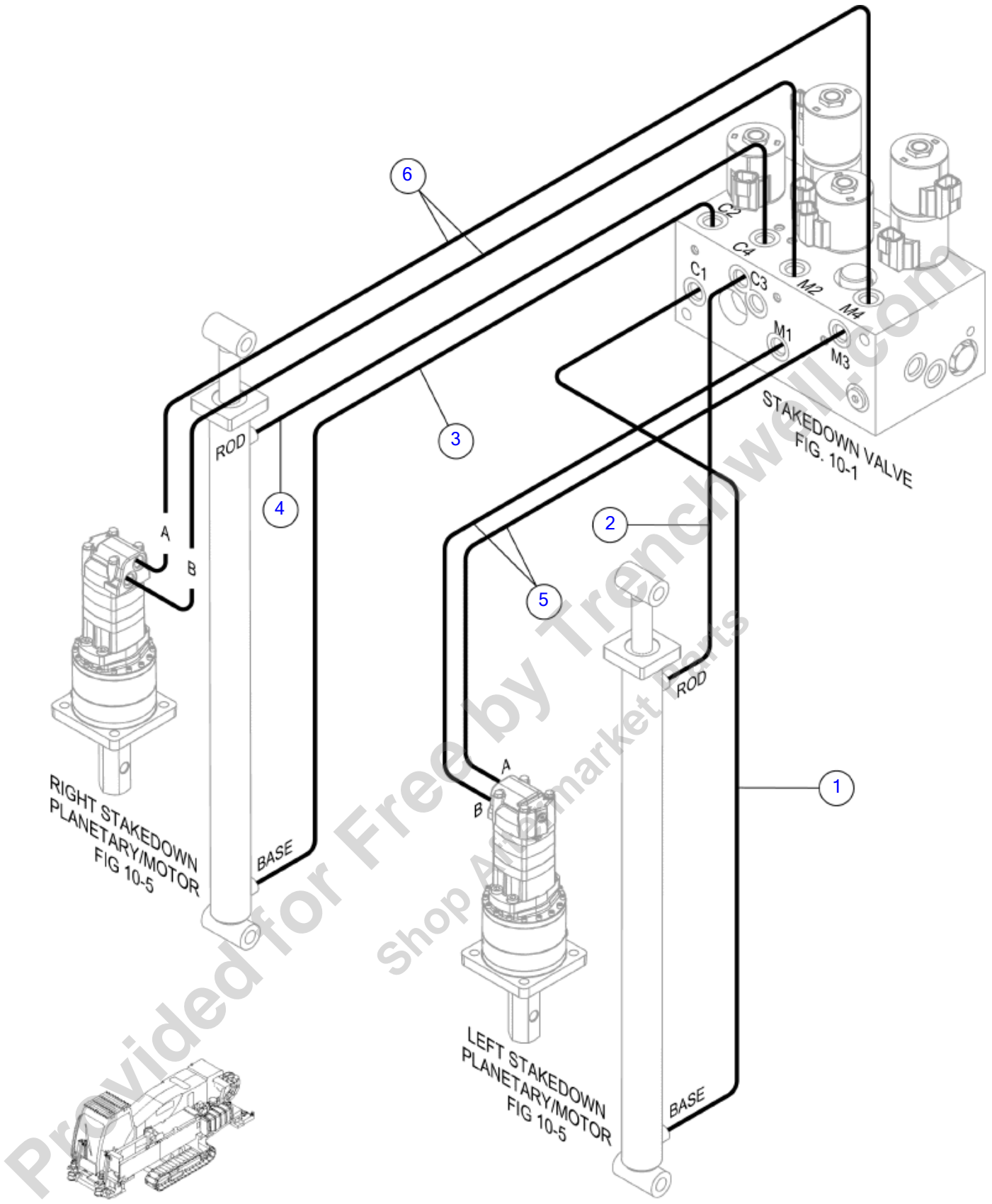
Fig 14-14

REF NO.	PART NO.	DESCRIPTION	QTY.	REMARKS
1	296424640	HOSE-HYD-.25X14-4FSJ-3000PSI	1	
2	296424670	HOSE-HYD-.25X25-4FSJ-3000PSI	1	
3	296424641	HOSE-HYD-.25X44-4FSJ-3000PSI	1	
4	296424642	HOSE-HYD-.25X65-4FSJ-3000PSI	1	
5	296424643	HOSE-HYD-.38X69-6FSJ-6FSJ90-3000PSI	2	
6	296424644	HOSE-HYD-.38X115-6FSJ-6FSJ90	2	

Provided for Free by Trenchwell.com
Shop Aftermarket Parts

Aggressive Stakedown Hose Kit

Fig 14-15



HOSE KIT: 296432190

Aggressive Stakedown Hose Kit

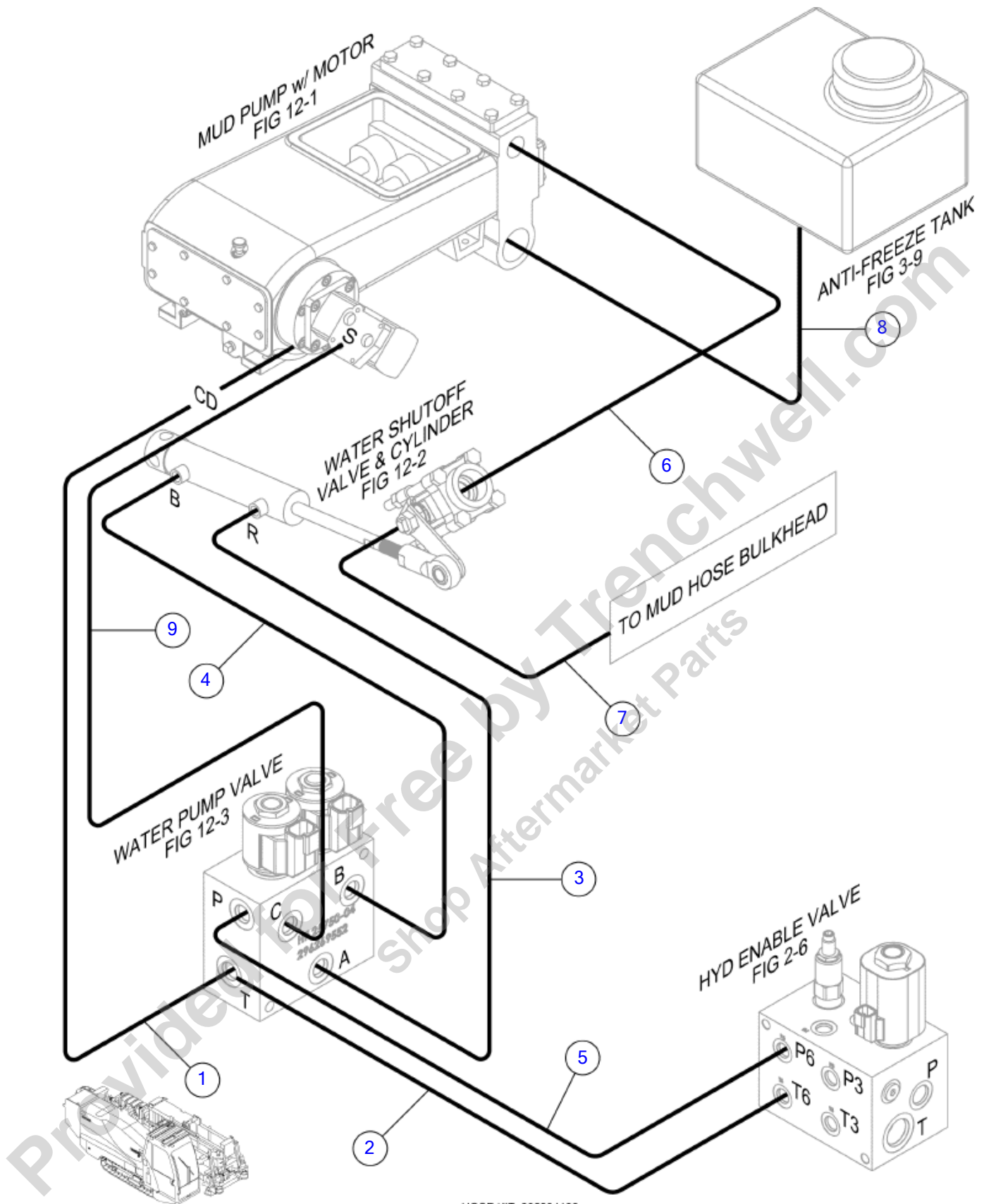
Fig 14-15

REF NO.	PART NO.	DESCRIPTION	QTY.	REMARKS
1	296424640	HOSE-HYD-.25X14-4FSJ-3000PSI	1	
2	264647001	HOSE - .38 X 49 - 6FJX ST/ST 3K PSI BNS	1	
3	296432193	HOSE-HYD-.38X55-4FSJ/4FSJ90	1	
4	296443911	HOSE-HYD-.38X87-6FSJ/6FSJ90-3000PSI-100R17	1	
5	296302169	HOSE-HYD-0.375X81-06FJX90/06FJX-T3K6A	2	
6	296443912	HOSE-HYD-.38X119-6FSJ/6FSJ90-3000PSI-100R17	2	

Provided for Free by Trenchwell.com
Shop Aftermarket Parts

50 GPM Apex Water Pump Hose Kit

Fig 14-16



HOSE KIT: 296394136

50 GPM Apex Water Pump Hose Kit

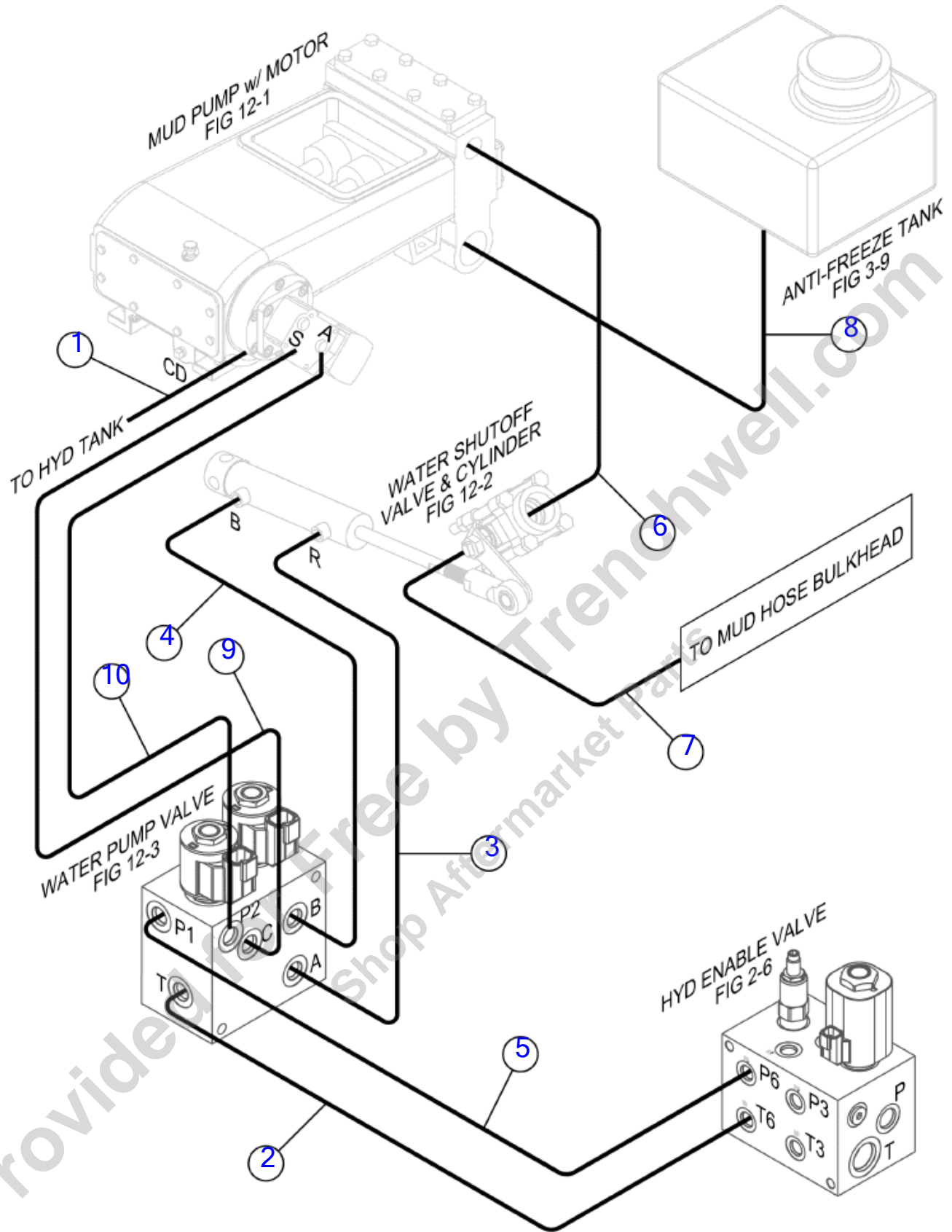
Fig 14-16

REF NO.	PART NO.	DESCRIPTION	QTY.	REMARKS
1	296424704	HOSE-HYD-.25X24-4FSJ/4FSJ45-250PSI-100R17	1	
2	296396478	HOSE-HYD-.38X39-06G-06FJX	1	
3	296438271	HOSE-HYD-.25X11-4FSJ	1	
4	53843549	HOSE-1/4X11 4FS JIC 3000 PSI	1	
5	57940349	HOSE-HYD-0.375X41-06FJX/06FJX-T3K6A	1	
6	296424660	HOSE-HYD-1.00X30-16FSJ-3000PSI	1	
7	296443835	HOSE-HYD-1.00X34-T204-1621/T207-1621-3000PSI	1	
8	296424667	HOSE-HYD-.75X96-12FSJ-12FSJ45-3000PSI	1	
9	296424709	HOSE-HYD-.25X27-4FSJ/4FSJ-3000PSI-100R17	1	

Provided for Free by Trenchwell.com
Shop Aftermarket Parts

50 GPM Apex Water Pump Hose Kit (SN 394-693)

Fig 14-16R01



HOSE KIT: 296394136

50 GPM Apex Water Pump Hose Kit (SN 394-693)

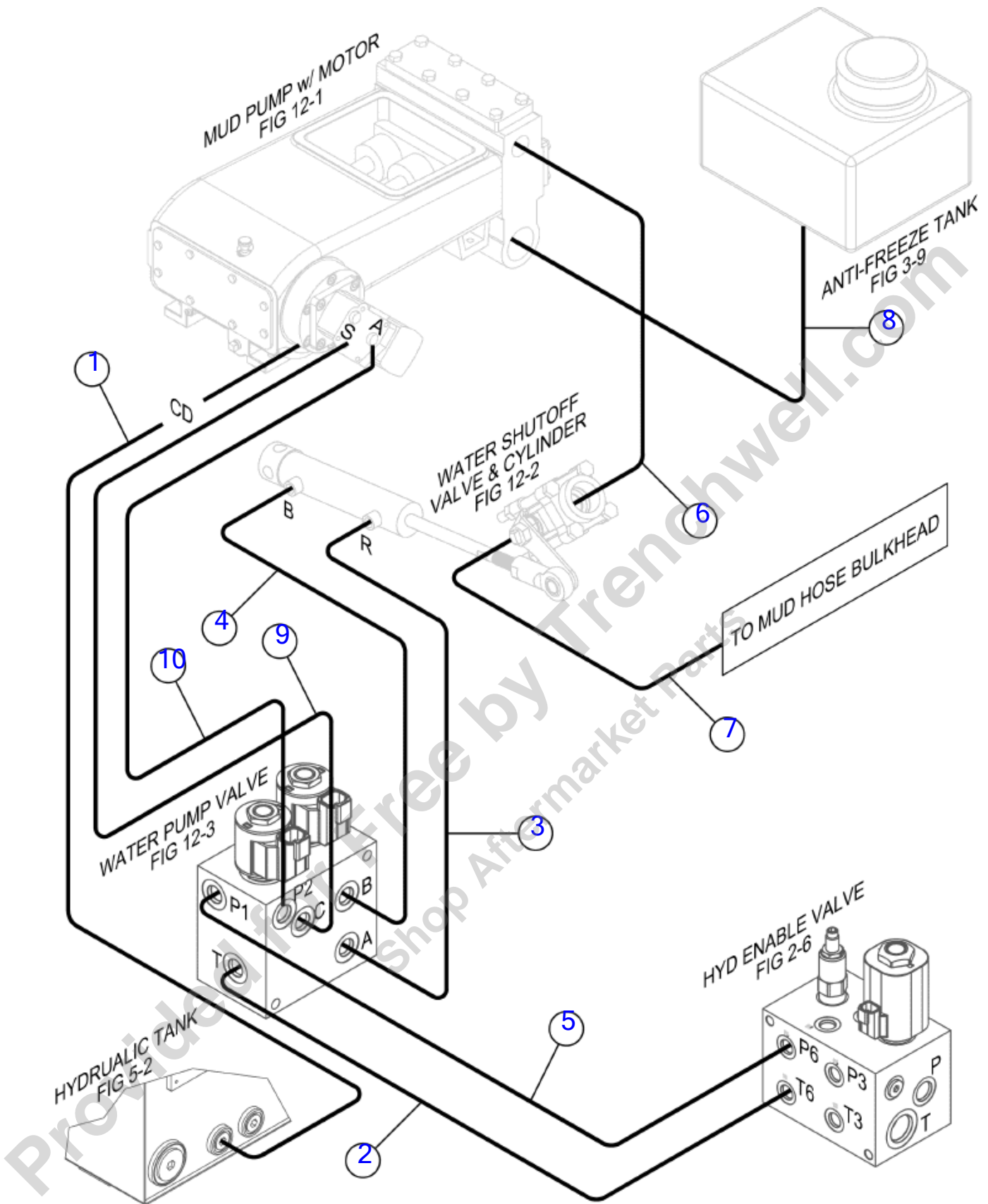
Fig 14-16R01

REF NO.	PART NO.	DESCRIPTION	QTY.	REMARKS
1	180017306	HOSE - HYD - 136.5"	1	
2	296396478	HOSE-HYD-.38X39-06G-06FJX	1	
3	296438271	HOSE-HYD-.25X13-4FSJ	1	
4	53843549	HOSE-1/4X11 4FS JIC 3000 PSI	1	
5	57940349	HOSE-HYD-0.375X41-06FJX/06FJX-T3K6A	1	
6	296424660	HOSE-HYD-1.00X30-16FSJ-3000PSI	1	
7	296443835	HOSE-HYD-1.00X34-T204-1621/T207-1621-3000PSI	1	
8	296424667	HOSE-HYD-.75X96-12FSJ-12FSJ45-3000PSI	1	
9	296424709	HOSE-HYD-.25X27-4FSJ/4FSJ-3000PSI-100R17	1	
10	296463399	HOSE-HYD-.25X30-4FSJ/4FSJ-90-3000PSI-100R17	1	(394-)

Provided for Free by Trenchwell.com
 Shop Aftermarket Parts

50 GPM Apex Water Pump Hose Kit (SN 694-)

Fig 14-16R02



HOSE KIT: 298394136

50 GPM Apex Water Pump Hose Kit (SN 694-)

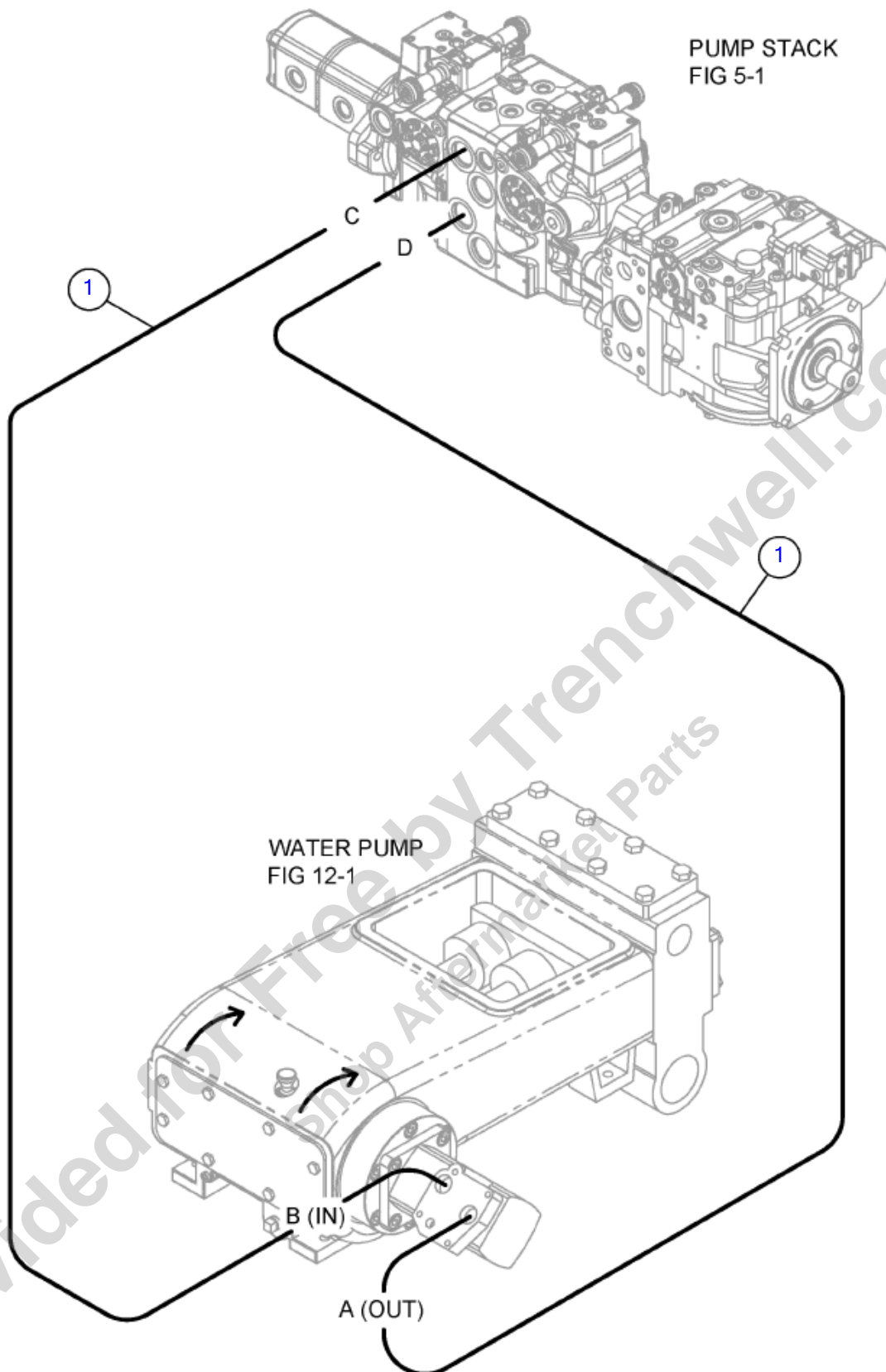
Fig 14-16R02

REF NO.	PART NO.	DESCRIPTION	QTY.	REMARKS
1	240421001	HOSE-HYD-.50X116-8FSJ/8FSJ-45-100R2	1	
2	296396478	HOSE-HYD-.38X39-6FSJ/6FSJ-3000PSI-100R17	1	
3	296438271	HOSE-HYD-.25X13-4FSJ	1	
4	53843549	HOSE-1/4X11 4FS JIC 3000 PSI	1	
5	296477565	HOSE-HYD-.38X41-6FSJ/6FSJ-3000PSI-100R17	1	
6	296424660	HOSE-HYD-1.00X30-16FSJ-3000PSI	1	
7	296443835	HOSE-HYD-1.00X34-T204-1621/T207-1621-3000PSI	1	
8	296424667	HOSE-HYD-.75X96-12FSJ-12FSJ45-3000PSI	1	
9	296424709	HOSE-HYD-.25X27-4FSJ/4FSJ-3000PSI-100R17	1	
10	296463399	HOSE-HYD-.25X30-4FSJ/4FSJ-90-3000PSI-100R17	1	

Provided for Free by Trenchwell.com
 Shop Aftermarket Parts

50 GPM Apex Water Pump High Pressure Hose Kit

Fig 14-17



HOSE KIT: 296424716

50 GPM Apex Water Pump High Pressure Hose Kit

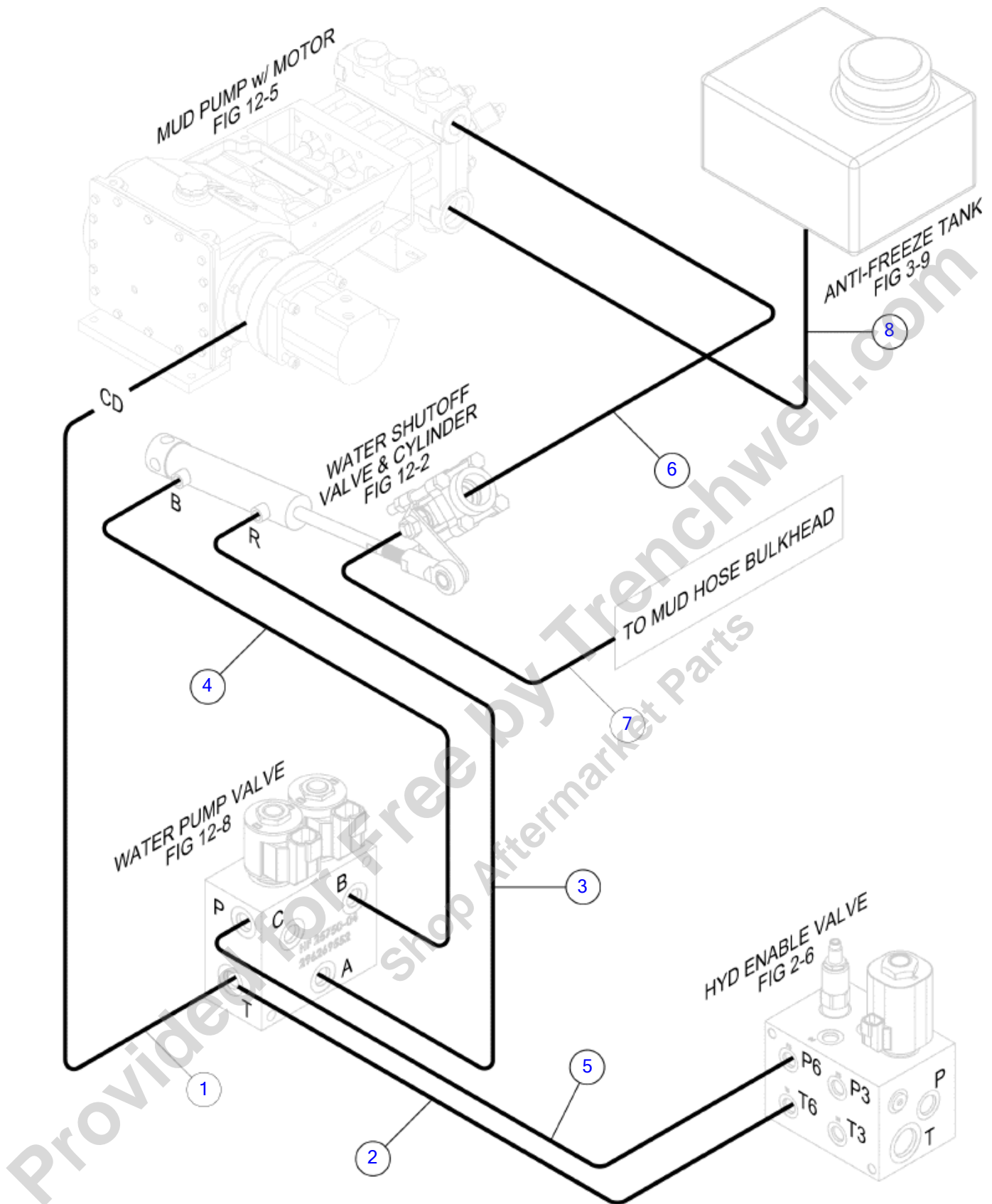
Fig 14-17

REF NO.	PART NO.	DESCRIPTION	QTY.	REMARKS
1	296420493	HOSE-HYD-.75X110-12GS-12FMX-12GS	2	

Provided for Free by Trenchwell.com
Shop Aftermarket Parts

50 GPM FMC Water Pump Hose Kit (SN 101-693)

Fig 14-18



HOSE KIT: 296443997

50 GPM FMC Water Pump Hose Kit (SN 101-693)

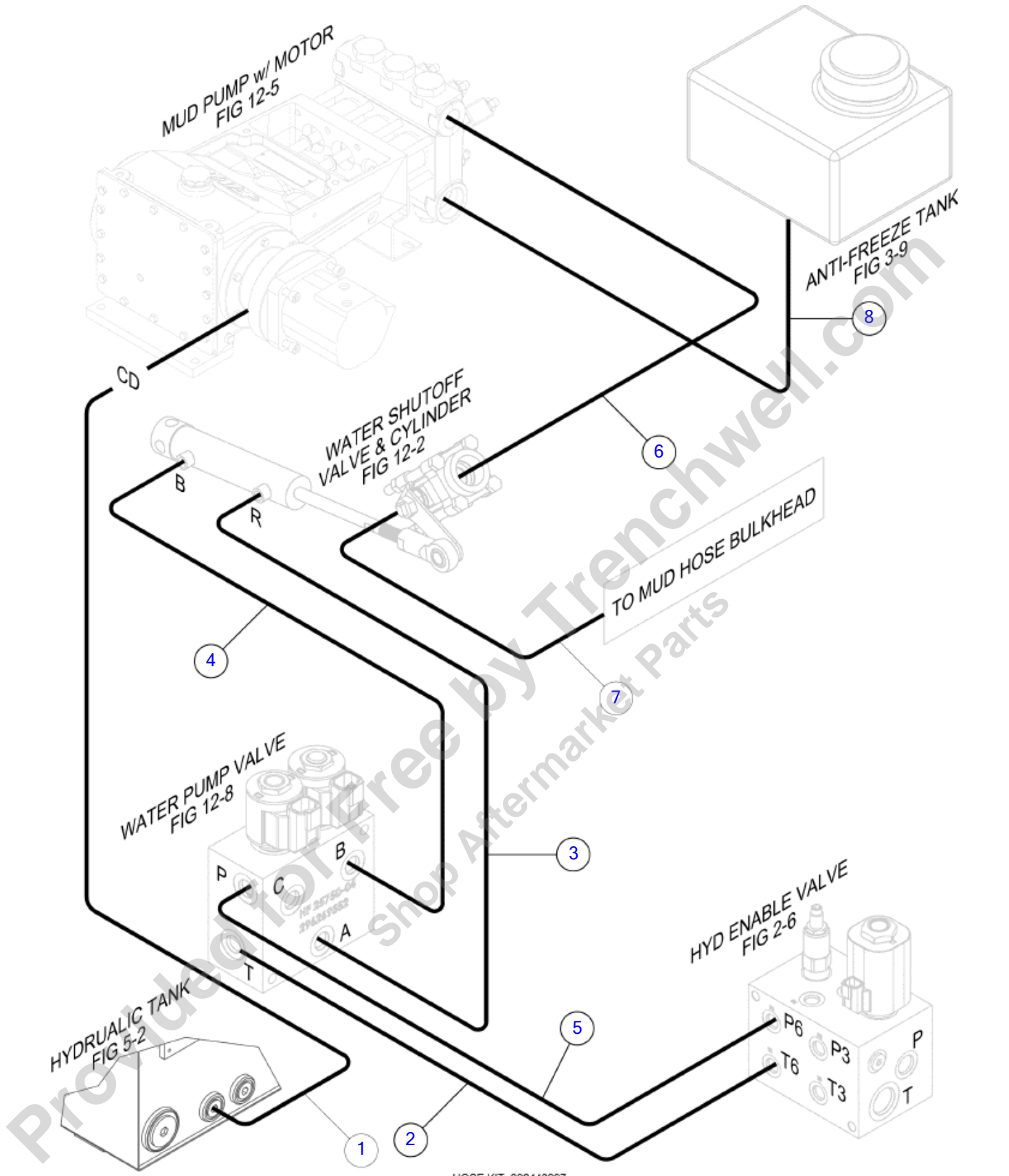
Fig 14-18

REF NO.	PART NO.	DESCRIPTION	QTY.	REMARKS
1	296280243	HOSE-1/4 X 29 4FS ST/45 PSI 3000	1	
2	296424659	HOSE-HYD-.38X38-6FSJ-3000PSI	1	
3	296438271	HOSE-HYD-.25X13-4FSJ	1	
4	53843549	HOSE-1/4X11 4FS JIC 3000 PSI	1	
5	296438269	HOSE-HYD-.38X36-6FSJ	1	
6	296424660	HOSE-HYD-1.00X30-16FSJ-3000PSI	1	
7	296443835	HOSE-HYD-1.00X34-T204-1621/T207-1621-3000PSI	1	
8	296424667	HOSE-HYD-.75X96-12FSJ-12FSJ45-3000PSI	1	

Provided for Free by Trenchwell.com
Shop Aftermarket Parts

GPM FMC Water Pump High Pressure (SN 694-)

Fig 14-18R01



HOSE KIT: 296443997

GPM FMC Water Pump High Pressure (SN 694-)

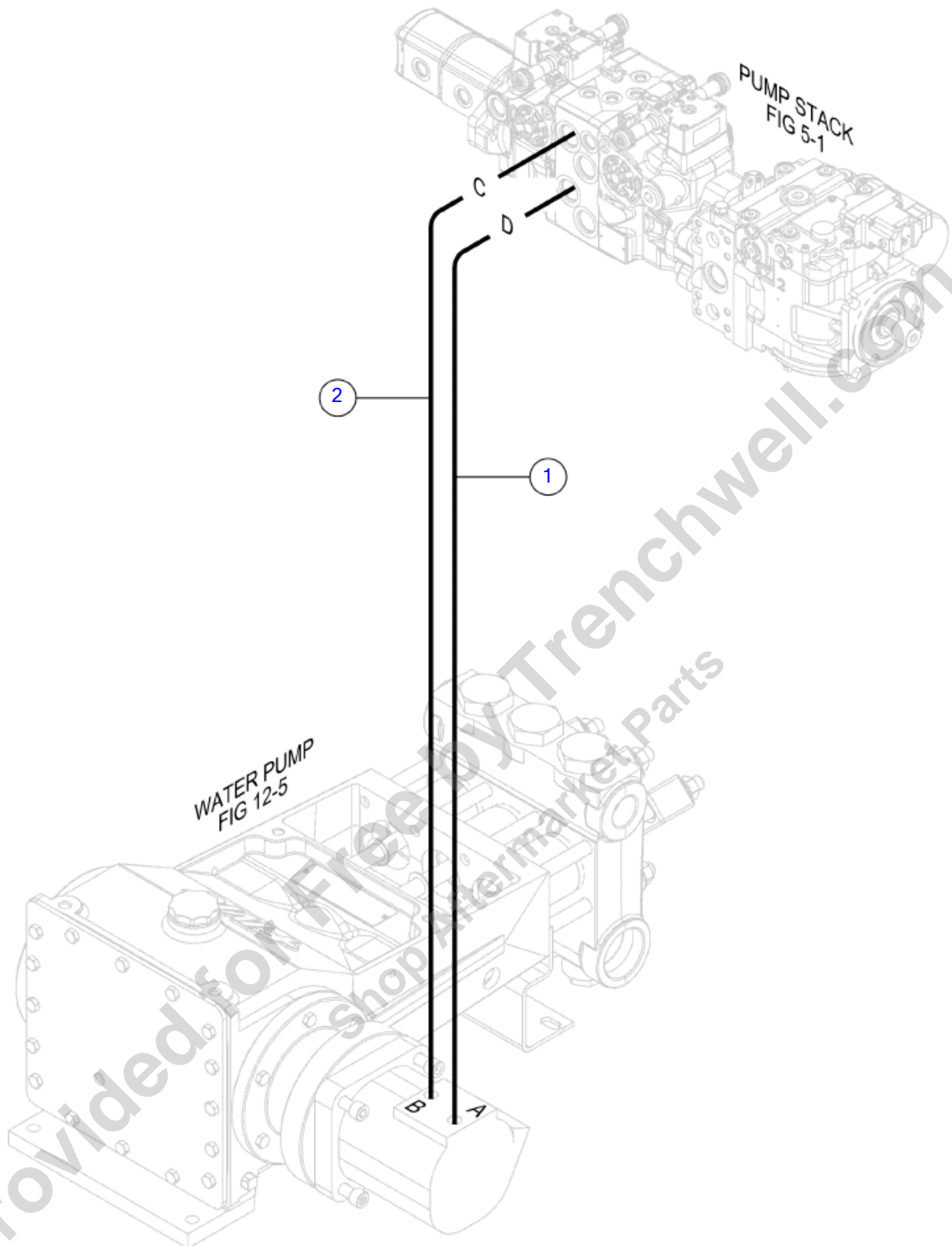
Fig 14-18R01

REF NO.	PART NO.	DESCRIPTION	QTY.	REMARKS
1	240421001	HOSE-HYD-.50X116-8FSJ/8FSJ-45-100R2	1	
2	296424659	HOSE-HYD-.38X38-6FSJ-3000PSI	1	
3	296438271	HOSE-HYD-.25X13-4FSJ	1	
4	53843549	HOSE-1/4X11 4FS JIC 3000 PSI	1	
5	296438269	HOSE-HYD-.38X40-6FSJ/6FSJ-100R17	1	
6	296424660	HOSE-HYD-1.00X30-16FSJ-3000PSI	1	
7	296443835	HOSE-HYD-1.00X34-T204-1621/T207-1621-3000PSI	1	
8	296424667	HOSE-HYD-.75X96-12FSJ-12FSJ45-3000PSI	1	

Provided for Free by Trenchwell.com
Shop Aftermarket Parts

50 GPM FMC Water Pump High Pressure Hose Kit

Fig 14-19



HOSE KIT: 296472002

50 GPM FMC Water Pump High Pressure Hose Kit

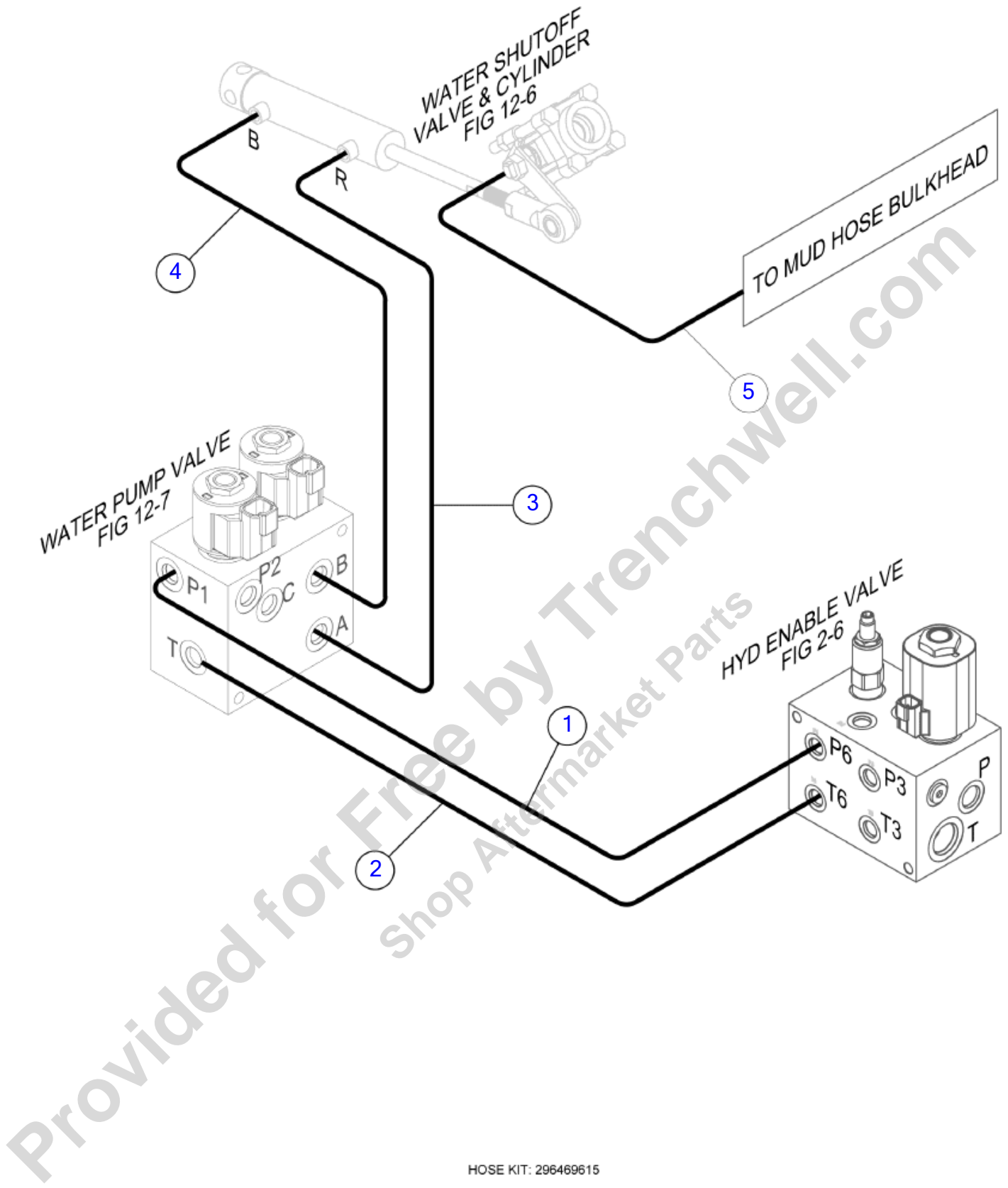
Fig 14-19

REF NO.	PART NO.	DESCRIPTION	QTY.	REMARKS
1	296472003	HOSE-HYD-.75X119-12GS-12FMX/12GS	1	
2	296477560	HOSE-HYD-.75X120-12GS-12FMX/12GS-12FMX90-096-100R1	1	

Provided for Free by Trenchwell.com
Shop Aftermarket Parts

NON Water Pump Hose Kit

Fig 14-20



HOSE KIT: 296469615

NON Water Pump Hose Kit

Fig 14-20

REF NO.	PART NO.	DESCRIPTION	QTY.	REMARKS
1	57940349	HOSE-HYD-0.375X41-06FJX/06FJX-T3K6A	1	
2	296396478	HOSE-HYD-.38X39-06G-06FJX	1	
3	296438271	HOSE-HYD-.25X13-4FSJ	1	
4	53843549	HOSE-1/4X11 4FS JIC 3000 PSI	1	
5	296443835	HOSE-HYD-1.00X34-T204-1621/T207-1621-3000PSI	1	

Provided for Free by Trenchwell.com
Shop Aftermarket Parts

Provided for Free by Trenchwell.com
Shop Aftermarket Parts

Provided for Free by Trenchwell.com
Shop Aftermarket Parts

Provided for Free by Trenchwell.com
Shop Aftermarket Parts

No part of this manual may be reproduced in any form or by any means, electronic or mechanical, including photocopying, recording, or by any information storage and retrieval systems, without the express written consent of Vermeer Corporation.

Copyright 2014-2020 Vermeer Corporation
All rights reserved.
Vermeer Corporation
1210 Vermeer Road East, P.O. Box 200
Pella, Iowa 50219-0200, USA