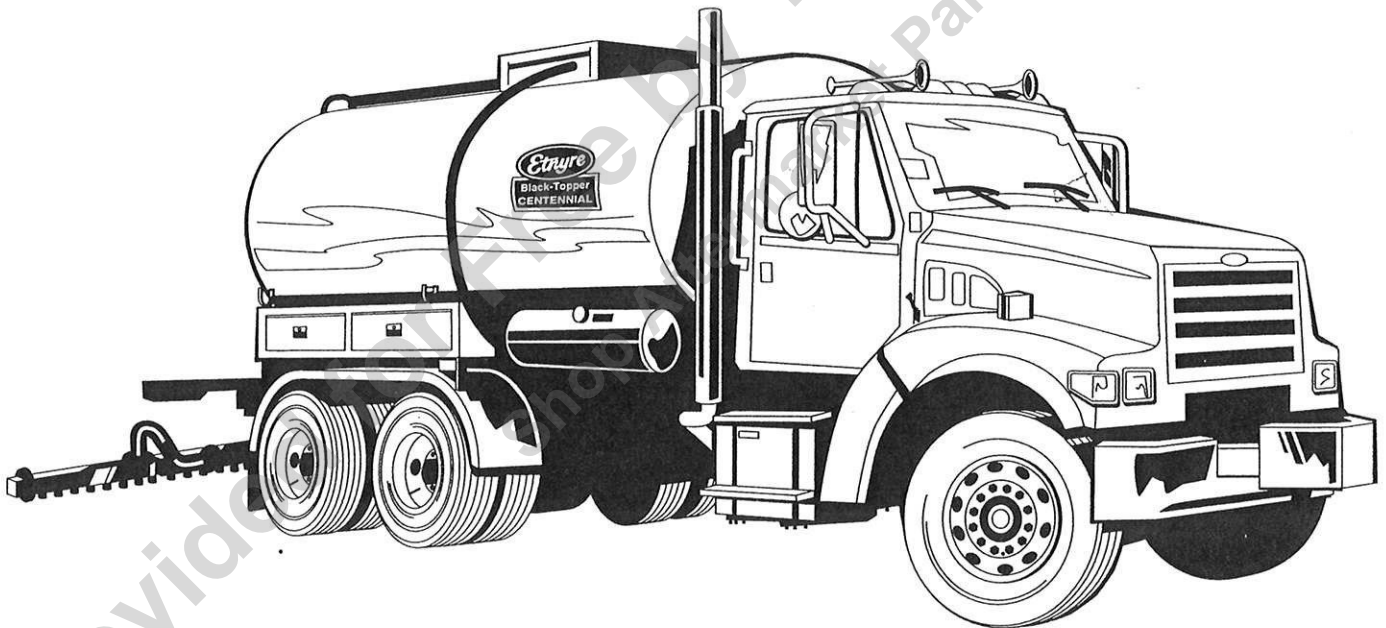


M-101-99



Black-Topper[®] Centennial Series **PARTS MANUAL**



E. D. ETNYRE & CO., Oregon, Illinois 61061

M-101-99

Black-Topper® Centennial Series Asphalt Distributor

PARTS MANUAL

HOW TO ORDER PARTS

To assure prompt delivery when ordering parts, please furnish the following information: **1)** Complete name and address of consignee. **2)** Method of shipment preferred. **3)** Is shipment to be prepaid or collect? **4)** Serial numbers of units to which parts apply. **5)** Complete part numbers and descriptions. **6)** Any special instructions. Part numbers beginning with 9250000 are category numbers and must include descriptive term to complete the order (such as, length, color, etc.). These items when listed in the parts manual will indicate what information must be included.

Specify unit serial number when ordering parts!

WARRANTY

E.D. Etnyre & Co. warrants to the original Purchaser, it's new product to be free from defects in material and workmanship for a period of twelve (12) months after date of delivery to original Purchaser. The obligation of the Company is limited to repairing or replacing any defective part returned to the Company and will not be responsible for consequential damages or any further loss by reason of such defect.

The company excludes all implied warranties of merchantability and fitness for a particular purpose. There are no warranties, express or implied, which extend beyond the description of the goods contained in this contract.

This warranty does not obligate the Company to bear the cost of machine transportation in connection with the replacement or repair of defective parts, nor does it guarantee repair or replacement of any parts on which unauthorized repairs or alterations have been made or for components not manufactured by the Company except to the extent of the warranty given by the original Manufacturer.

This warranty does not apply to:

- (1) Normal start-up services, normal maintenance services or adjustments usually performed by the selling dealer, factory service representative or customer personnel.
- (2) Any product manufactured by E.D. Etnyre & Co. purchased or subjected to rental use.
- (3) Any product or part thereof which shows improper operation, improper maintenance, abuse, neglect, damage or modification after shipment from factory.
- (4) Any product or part thereof damaged or lost in shipment. Inspection for damage should be made before acceptance or signing any delivery documents releasing responsibility of the delivering carrier.

This warranty and foregoing obligations are in lieu of all other obligations and liabilities including negligence and all warranties of merchantability or otherwise, express or implied in fact or by law.



E. D. ETNYRE & CO. , Oregon, Illinois 61061-9778

1333 S. Daysville Road Phone: 815/732-2116 or 800/995-2116

Fax: Main Office 815-732-4277 Fax: Sales and Service 800-732-7400 Fax: Parts Dept Only 800-521-1107

E Mail: sales@etnyre.com Web Site: www.etnyre.com

To navigate this document:

Click on an item in the “Bookmarks” pane at the left side of the screen or, Click on an item on the “Contents” page.

Use the “Find” command under the “Tools” menu to search for an item by Part Number or Name.

Provided for Free by Trenchwell.com
Shop Aftermarket Parts

Table of Contents

HOW TO ORDER PARTS	1	BAR LATCH - MECHANICAL	43
Reporting Safety Defects	4	BAR LATCH - AIR OPERATED	44
Proposition 65 WARNING	4	HANDSPRAY	45
General Identification	5	FUEL TANK ASSEMBLY AND SELF FLUSHING LINE	46
WARNING AND INSTRUCTION PLATES	6	POWER WASHDOWN AND SELF FLUSHING SYSTEM	47
CONTROL PANEL AND STAND	7	MANIFOLD ASSEMBLY	48
Basic Gang On-Off with Analog Tachometer	7	6 STATION SHOWN	48
CONTROL PANEL AND STAND	8	SCHEMATIC - 6602356 HYDRAULIC MANIFOLD BLOCK	49
Basic Gang On-Off with DC-2 Computerized Application Rate Control	8	AIR SUPPLY	50
CONTROL PANEL AND STAND	9	Spray Bar Controlled In 1' Increments	50
1' Spray bar Controls with Analog Tachometer	9	Frame Mounted Air Valves	50
CONTROL PANEL AND STAND	10	AIR SUPPLY	51
1' Spray bar Controls with DC-2 Computerized Application Rate Control	10	Spray Bar Controlled In 1' Increments	51
CONTROL PANEL ASSEMBLY - REAR	11	Frame Mounted Air Valves	51
RADAR SPEED SENSOR INSTALLATION	12	AIR SUPPLY	52
(Dickey Johns Radar) Used prior to February 1999	12	GANG ON/OFF SPRAY BAR	52
RADAR SPEED SENSOR INSTALLATION	13	FUEL OIL BURNER INSTALLATION	53
(RDS Radar) Used from February 1999	13	RELAY AND FUSE - FUEL OIL BURNER INSTALLATION	54
CIRCULATING SYSTEM	14	LPG BURNERS	55
SUCTION VALVE ASSEMBLIES	16	LPG BURNERS WITH OUTFIRE	56
Front and Rear	16	LPG TANK	57
REAR SUCTION VALVE - MANUAL	17	THERMOCONTROL - 12 VOLT ETNYRE LPG BURNERS	58
4 WAY VALVE ASM AND CONTROLS	18	LPG PORTABLE BURNER - TANK SYSTEM	60
BUTTERFLY VALVE	19	PORTABLE BURNER - VAPOR PROPANE	61
SUCKBACK SYSTEM	20	PORTABLE GENERATING BURNER	62
ASPHALT PUMP ASSEMBLY	21	EXHAUST STACK ASSEMBLIES	63
HYDRAULIC PUMP DRIVE - CRANKSHAFT DRIVEN	22	MANHOLE AND SPILLBOX ASSEMBLY	64
40 Series Pump	22	LADDER ASSEMBLY	65
HYDRAULIC PUMP DRIVE - CRANKSHAFT DRIVEN	23	TANK GAUGE ASSEMBLY	66
90 Series Pump	23	SAMPLE VALVE	
HYDROSTATIC DRIVE SYSTEM - PTO DRIVEN	24	THERMOMETERS	
40 Series Pump	24	ELECTRIC TEMPERATURE PROBE	67
HYDROSTATIC DRIVE SYSTEM - PTO DRIVEN	26	FENDER ASSEMBLIES	68
90 Series Pump	26	TOOL BOXES	69
TRAILER DISTRIBUTOR HYDRAULIC HOSES	28	Single and Tandem Axles	69
Crank Drive, 40 Series LH Pump	28	BAR BOX ASSEMBLIES	70
DRIVE LINE - PTO TO HYDRAULIC PUMP	29	TANK MOUNTING	71
Units with 40 Series Hydraulic Pumps	29	FRONT BUMPER ASSEMBLY	72
DRIVE LINE - PTO TO HYDRAULIC PUMP - GMC TRUCKS 30	30	PINTLE HOOK	73
40 Series and 90 Series Hydraulic Pumps	30	MISCELLANEOUS ATTACHMENTS AND TOOLS	74
DROP TUBE & SPRAY BAR FEED LINES	31	IDENTIFICATION AND CLEARANCE LIGHTS	75
SPRAY BAR ASSEMBLY	32	REAR BUMPER ASSEMBLIES	76
Gang On/Off Spray Control	32	WIRING DIAGRAMS - LIGHTING	78
SPRAY BAR ASSEMBLY	34	WIRING SCHEMATIC - BASIC DISTRIBUTOR	79
Spray Controlled in 1' increments - Frame Mounted Air Valves 34	34	WIRING SCHEMATIC - CENTENNIAL SERIES DISTRIBUTOR WITH DC2	80
MULTIPLE FOLDING WINGS - SPRAY BAR	36	WIRING SCHEMATIC - RADAR AND PUMP TACHOMETERS	81
SPRAY BAR NOZZLE CHART	38	Electric Analog Gauges with Magnetic Pick Up	81
SPRAY BAR WING UP - HYDRAULIC	39	WIRING SCHEMATIC - FUEL OIL BURNERS	82
SPRAY BAR RAISE AND WING UP - MECHANICAL	40		
SPRAY BAR RAISE AND SHIFT - HYDRAULIC	41		
HEAVY DUTY BAR RAISE	42		

Reporting Safety Defects

If you believe that your vehicle has a defect which could cause a crash, injury, or death, you should immediately inform the National Highway Traffic Safety Administration (NHTSA) in addition to notifying E.D. Etnyre & Co.

If NHTSA receives similar complaints, it may open an investigation. If it finds a safety defect exists in a group of vehicles, it may order a recall and remedy campaign. However, NHTSA cannot become involved in individual problems between you, your dealer, or E.D. Etnyre & Co.

To contact NHTSA, you may call the Auto Safety Hotline too-free at 1-800-424-9393 (or 366-0123 in the Washington, D.C. area). Or, you may write to: U.S. Department of Transportation, Washington, D.C. 20696. You may also obtain other information about motor vehicle safety from the Auto Safety Hotline.

E.D. Etnyre & Co., Oregon, Illinois 61061, Phone Area Code 815/732-2116, Cable Address "EDECO".CALIFORNIA

WARNING **Fluoroelastomer handling**

Some "O" rings and seals used in this vehicle are made from fluoroelastomers. When used under design conditions, fluoroelastomers do not require special handling. However, when fluoroelastomers are heated to temperatures beyond their design temperature (around 600 degrees Fahrenheit), decomposition may occur with the formation of hydrofluoric acid. Hydrofluoric acid can be extremely corrosive to human tissue if not handled properly.

A degraded seal may appear as a charred or black sticky mass. Do not touch either the seal or the surrounding equipment without wearing neoprene or PVC gloves if degradation is suspected. Wash parts and equipment with 10% lime water (calcium hydroxide solution) to neutralize any hydrofluoric acid.

If contact with the skin occurs, wash the affected areas immediately with water. Then rub a 2.5 calcium gluconate gel into the skin until there is no further irritation, while seeking prompt medical attention.

Note to physicians: For advice or treatment of HF Burns, call the DuPont Medical Emergency Number 1-800-441-3637.

This manual covers standard features and options. If your unit incorporates custom features, some of the information contained in this manual may not apply. If you have any questions regarding this manual or your unit, contact your dealer or the E. D. Etnyre Service Department at 1-800-995-2116

Proposition 65 WARNING

Diesel Engine exhaust and some of its constituents are known to the State of California to cause cancer, birth defects, and other reproductive harm.

Please note this warning and remember -

Always start and operate the engine in a well-ventilated area;

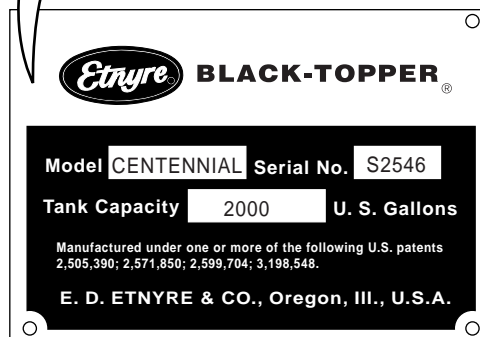
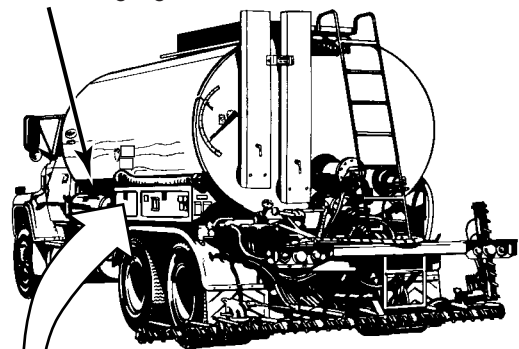
If in an enclosed area, vent the exhaust to the outside;

Do not modify or tamper with the exhaust system.

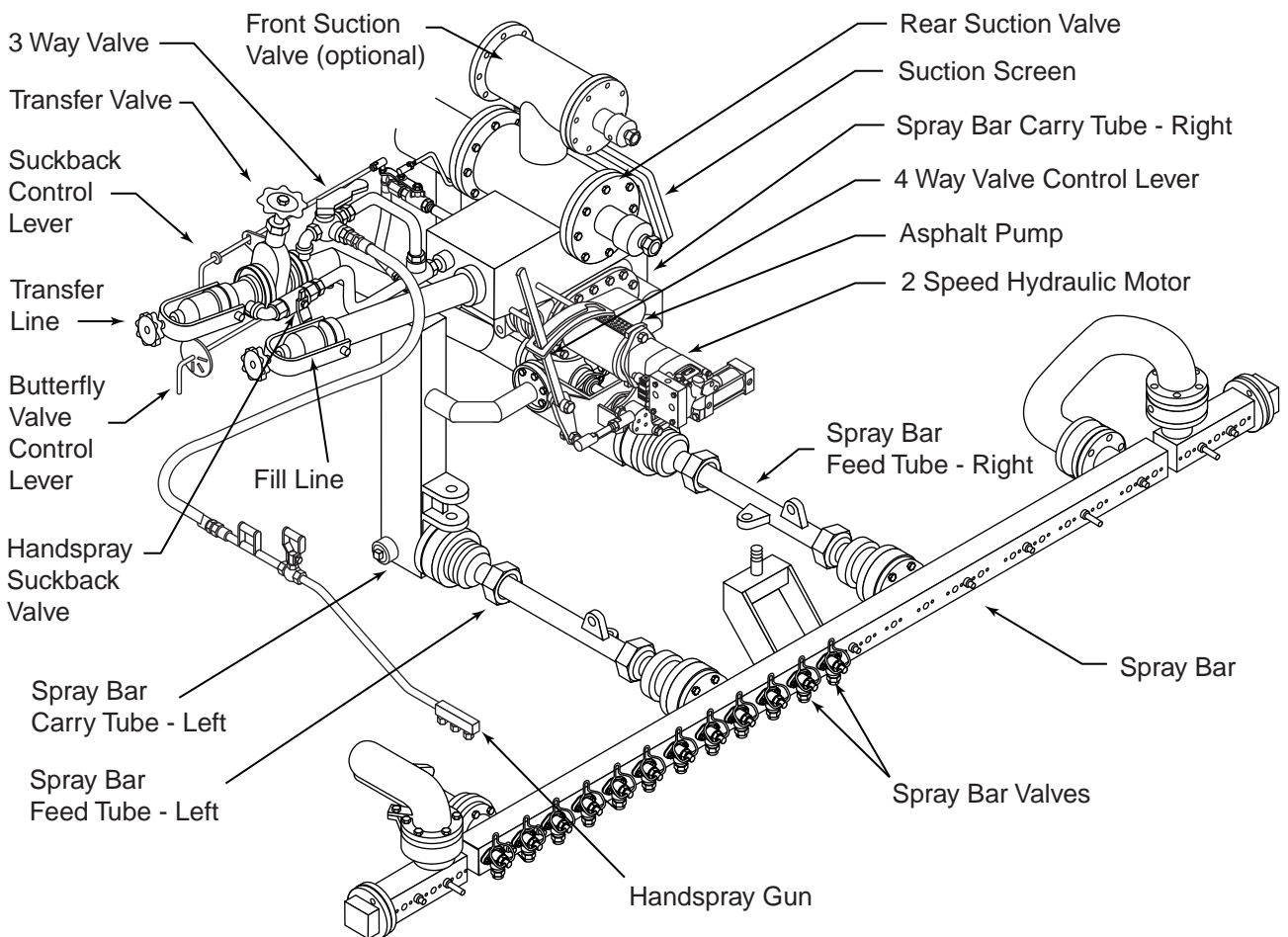
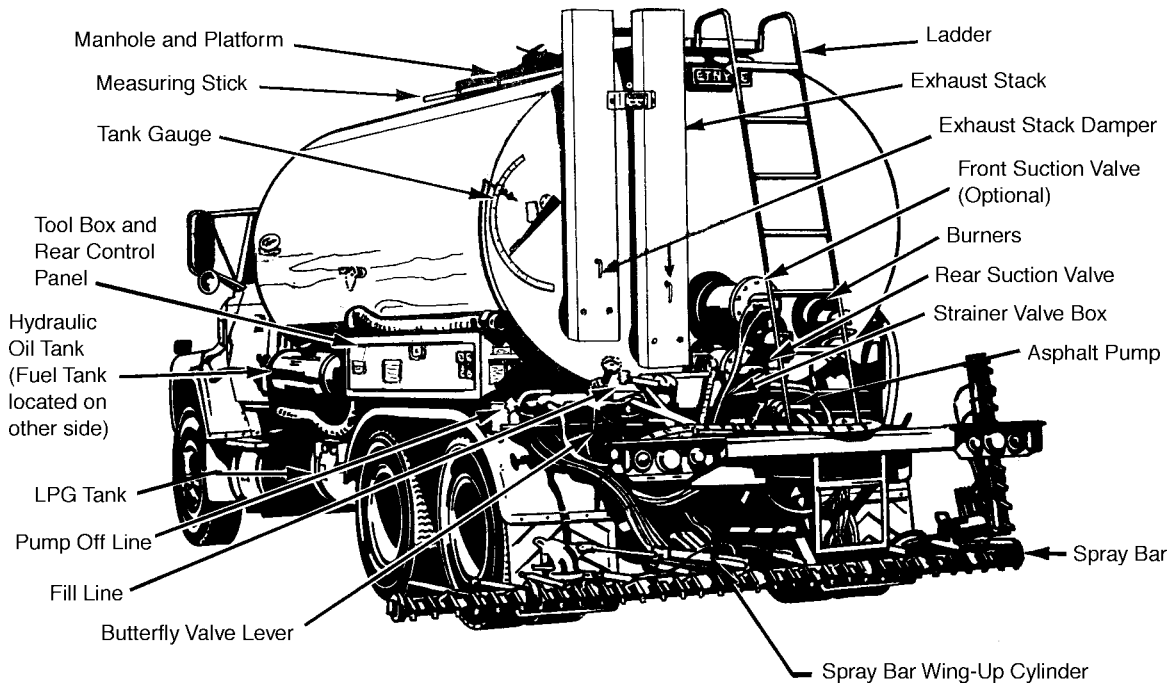
Serial Number Plate Location

The Serial Number Plate is a brass plate located on the left side of the vehicle toolbox. Generally, the serial number has a letter prefix followed by four numbers.

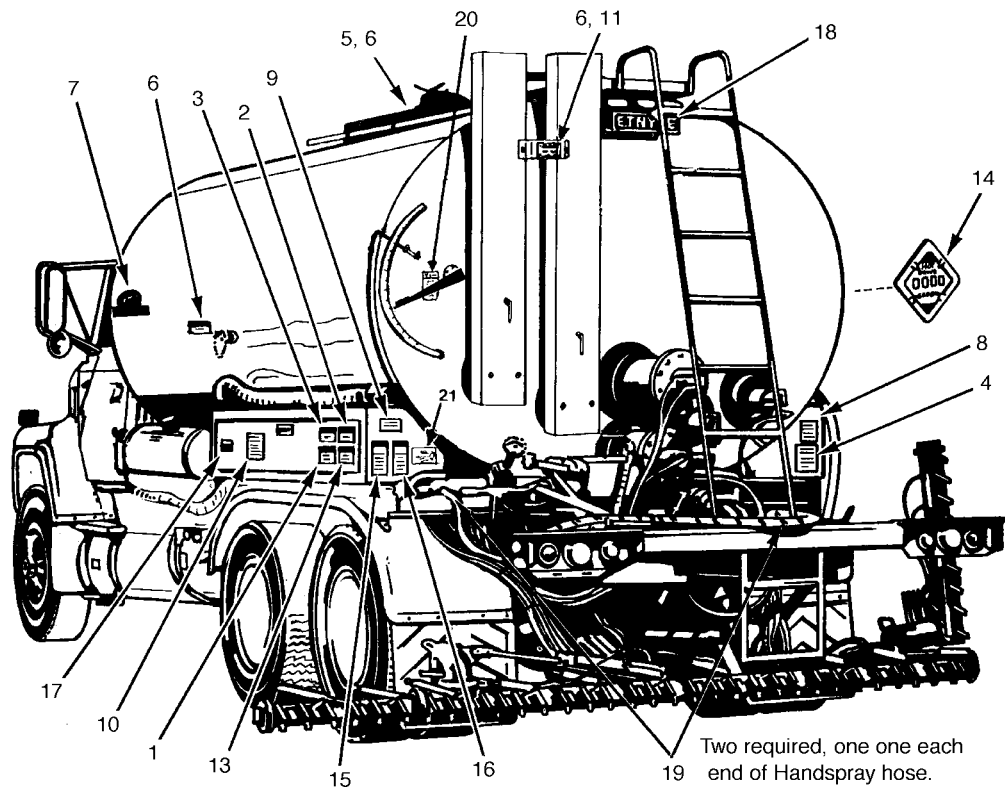
The unit serial number is also stamped on the left front tank mounting leg.



General Identification



WARNING AND INSTRUCTION PLATES

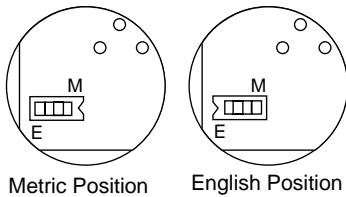


- For operator safety and possible liability protection, all Safety and Instruction Plates should remain in place and be legible.
- Should a plate be removed, lost, or become illegible, reorder and replace it immediately.
- If plates become difficult to read because of material coating the surface, clean with solvent.

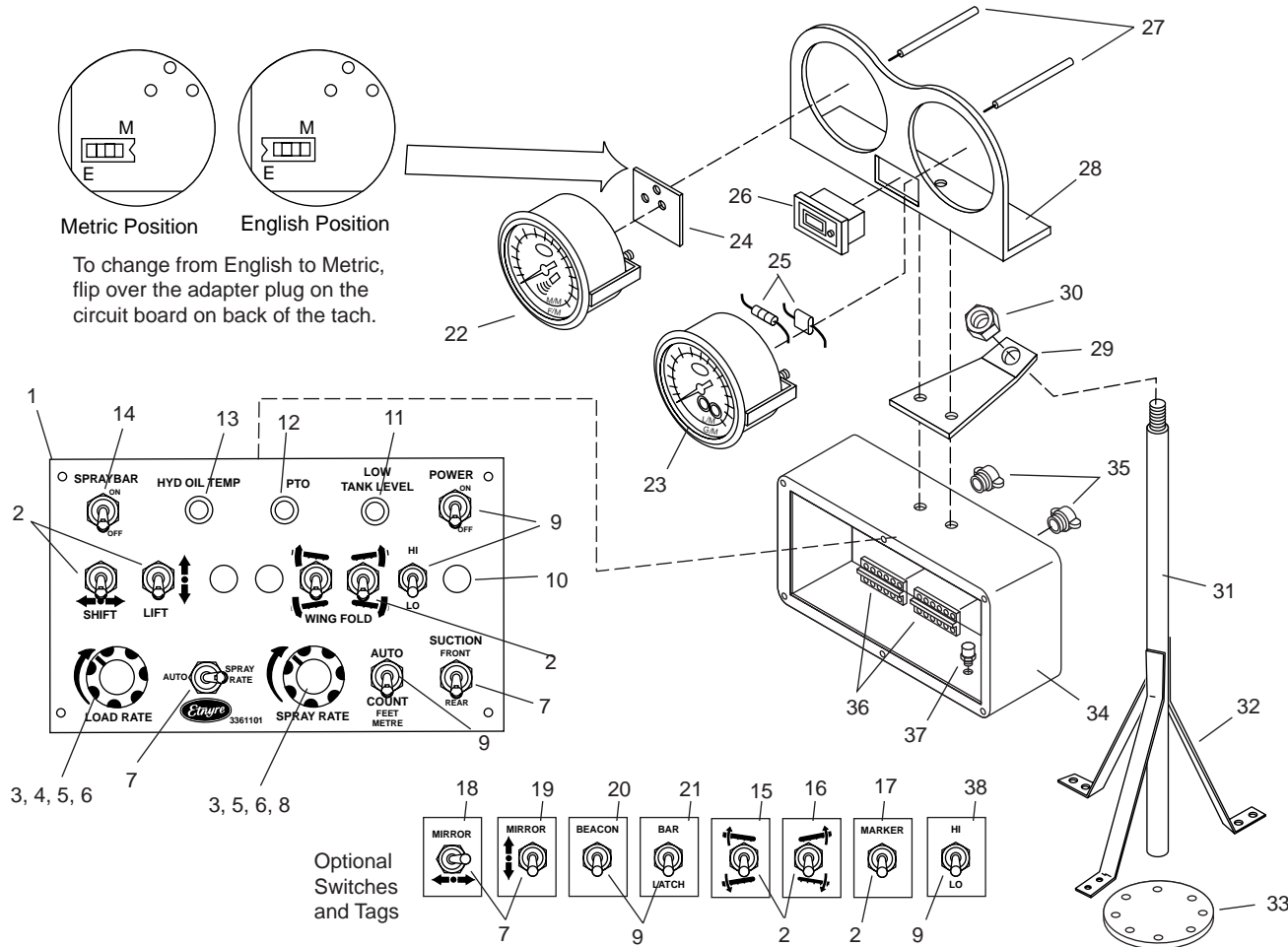
REF	PART NO.	QTY	DESCRIPTION	REF	PART NO.	QTY	DESCRIPTION
1	3390683	1	Plate-CAUTION, Shields In Place	13	3390678	2	Plate-WARNING, Read Manuals
2	3390681	1	Plate-CAUTION, Remain Clear	14	6320272	AR	Placard System (Optional)
3	3390682	2	Plate-CAUTION, Before Starting	15	3390636	1	Plate-WARNING, Flues Covered
4	3390686	1	Plate-WARNING, Burner, General	16	3390637	1	Plate-WARNING, Asphalt Grades
5	3390679	1	Plate-WARNING, Manhole	17	3390655	1	Plate-Name, Distributor, Brass
6	3390684	3	Plate-CAUTION, Hot Surface	18	3390149	1	Plate-Name, ETNYRE
7	3390696	2	Decal-BLACKTOPPER Centennial	19	3390591	1	Tag-CAUTION, Handspray Hose
8	3390540	1	Plate-Directions, LPG Burner	20	3390659	1	Decal-WARNING, GVWR
	3390670	1	Plate-Directions, Ele. Beckett Burner	21	3390669	1	Decal-Handspray Operation
9	3390680	1	Plate-WARNING, Fill Cap				
10	3390685	1	Plate-WARNING, Safety, General				
11	3390592	1	Bracket Asm-CAUTION, Hot Surface				
12	6100139	AR	Pop Rivet, 0.12 (for mounting plates)				

CONTROL PANEL AND STAND

Basic Gang On-Off with Analog Tachometer



To change from English to Metric, flip over the adapter plug on the circuit board on back of the tach.

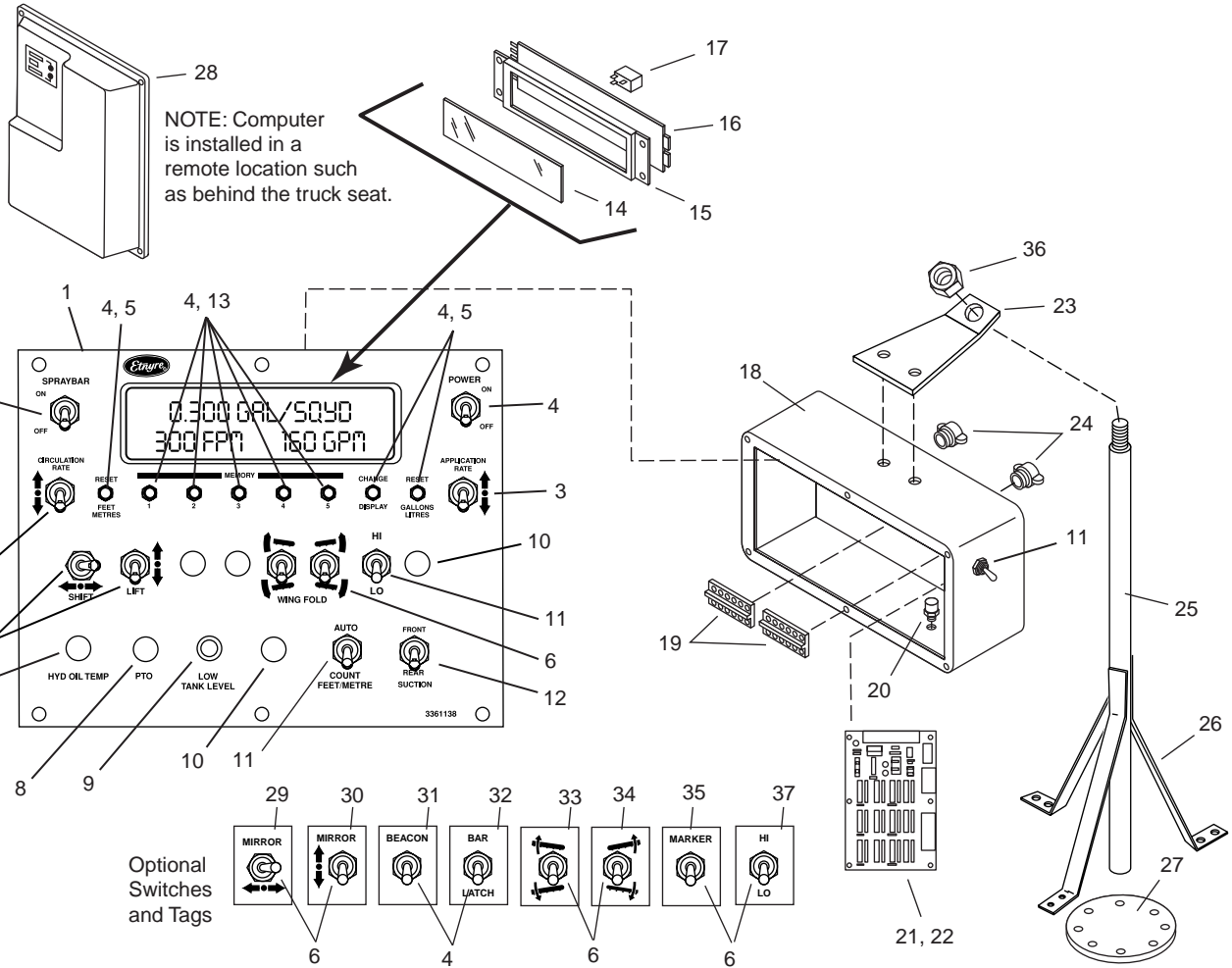


REF	PART NO.	QTY	DESCRIPTION	REF	PART NO.	QTY	DESCRIPTION
1	3361101	1	Face Plate (Switches & Lights NOT Included)	20	3361108	1	Tag-Beacon
	7520016	1	Standard Box Complete (Specify Serial No. for panels with other Options)	21	3361109	1	Tag-Bar Latch
2	6701897	4	Switch-Toggle, DPDT, 3 POS, MOM	22	6702186	1	Analog Radar Tachometer, 0-1500
3	6701907	2	Control Knob	23	6702135	1	Analog Electric Tachometer
4	6701911	1	Pot-1K, Single, Linear 2.25 W	24	6702187	1	Circuit Board
5	6702033	2	Resistor-100 OHM, 0.5 W, 5 Per	25	3370235	1	Capacitor/Resistor Asm
6	3361162	2	Foam Disk, 1.25 Dia., 0.25 Thick	26	6702140	1	Electric Digital Counter, LCD, 6 Digit
7	3160005	1	Toggle Switch, SPDT, 2 POS	27	6701048	AR	Shielded Cable, 22-3, Stranded
8	6701972	1	Pot-1K, 10 Turn	28	3361029	1	Bracket
9	6700255	2	Switch-Toggle, 20 AMP, Single Pole	29	3361038	1	Mounting Bracket
10	6702199	AR	Button Plug, 0.50	30	0124589	2	Nut-0.62NC
11	6702076	1	Amber Light	31	3361224	1	Pipe Asm
12	6702077	1	Green Light	32	3321031	3	Mounting Leg
13	6702075	1	Red Light - 12V	33	3361221	1	Mounting Disc
14	6701976	1	Switch-Toggle, 3PDT, 2 POS	34	3370220	1	Control Box Enclosure
15	3361110	1	Tag-Left Wing Fold	35	6700015	2	Romex Connector, 0.38
16	3361111	1	Tag-Right Wing Fold	36	6700306	2	10 Bar Terminal Strip
17	3361112	1	Tag-Marker	37	6702094	1	15 AMP Circuit Breaker
18	3361106	1	Tag-Mirror Lt/Rt	38	3361255	1	Tag-2 Speed Motor, HI-LO
19	3361107	1	Tag-Mirror Up/Down				

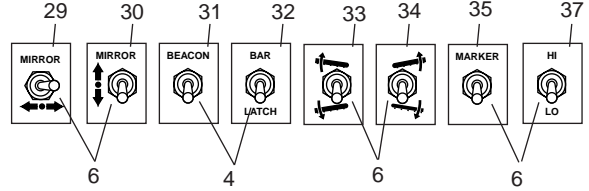
AR = As Required

CONTROL PANEL AND STAND

Basic Gang On-Off with DC-2 Computerized Application Rate Control



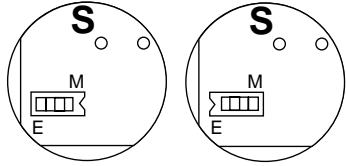
Optional Switches and Tags



REF	PART NO.	QTY	DESCRIPTION	REF	PART NO.	QTY	DESCRIPTION
1	3361138	1	Faceplate(Lights & Switches NOT Incl)	20	6702094	1	Circuit Breaker-15 AMP
	7520017	1	Standard Box Complete (Specify Serial No. for panels with other Options)	21	6702192	1	Interface Board
2	6701976	1	Switch-Toggle, 3PDT, 2 POS	22	6701980	4	Spacer
3	6700161	2	Switch-Toggle, SPDT, MOM	23	3361038	1	Mounting Bracket
4	6702198	8	Pushbutton Switch, SPDT, ON-MOM	24	6700015	2	Romex Connector
5	6702196	3	Red Cap	25	3361224	1	Pipe Asm
6	6701897	4	Switch-Toggle, DPDT, 3 POS, MOM	26	3321031	3	Mounting Leg
7	6702075	1	Red Light - 12V	27	3361221	1	Mounting Disc
8	6702077	1	Green Light	28	6702191	1	Controller
9	6702076	1	Amber Light	29	3361106	1	Tag-Mirror Lt/Rt
10	6702199	AR	Button Plug, 0.50	30	3361107	1	Tag-Mirror Up/Down
11	6700255	3	Switch-Toggle, 20 AMP, Single Pole	31	3361108	1	Tag-Beacon
12	3160005	1	Switch-Toggle, SPDT	32	3361109	1	Tag-Bar Latch
13	6702197	5	White Cap	33	3361110	1	Tag-Left Wing Fold
14	3361148	1	Window	34	3361111	1	Tag-Right Wing Fold
15	6702193	1	Display-LCD, DC-2	35	3361112	1	Tag-Marker
16	6702194	1	DC-2 Driver Board	36	0124589	2	Nut-Hex, 0.62NC
17	6702195	1	Inverter	37	3361255	1	Tag-2 Speed Motor, HI-LO
18	3370248	1	Enclosure				AR = As Required
19	6702072	2	Terminal Strip				

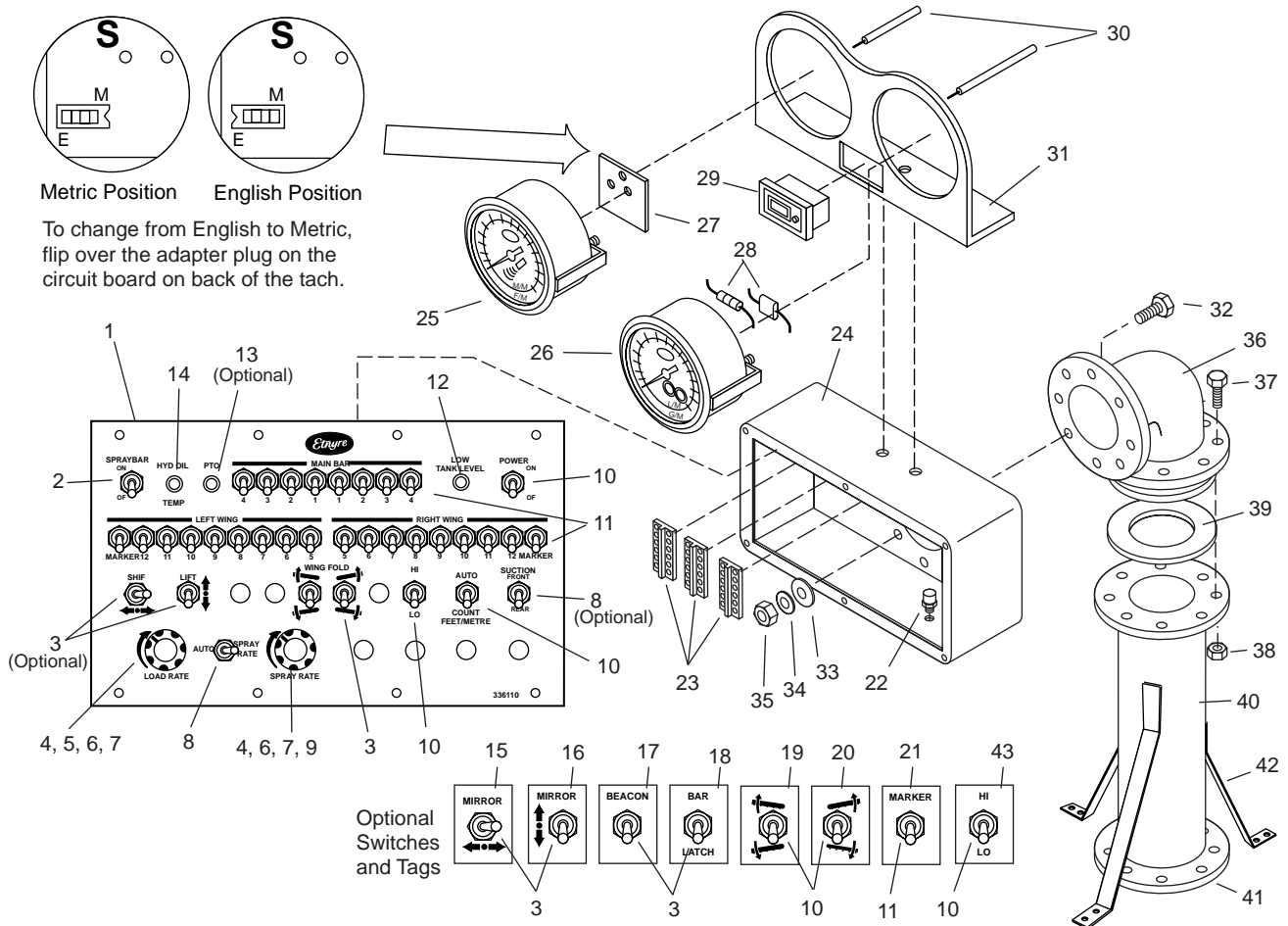
CONTROL PANEL AND STAND

1' Spray bar Controls with Analog Tachometer



Metric Position English Position

To change from English to Metric, flip over the adapter plug on the circuit board on back of the tach.



Optional Switches and Tags

REF	PART NO.	QTY	DESCRIPTION	REF	PART NO.	QTY	DESCRIPTION
1	3361103	1	Face Plate(Switches & Lights NOT Incl.)	23	6702072	3	Terminal Strip
	7520018	1	Standard Box Complete (Specify Serial No. for panels with other Options)	24	3370221	1	Control Box Enclosure
2	6701976	1	Switch-Toggle, 3PDT, 2 POS	25	6702186	1	Analog Radar Tachometer, 0-1500
3	6701897	4	Switch-Toggle, DPDT, 3 POS, MOM	26	6702135	1	Analog Electric Tachometer
4	6701907	2	Control Knob	27	6702187	1	Circuit Board
5	6701911	1	Pot-1K, Single, Linear 2.25 W	28	3370235	1	Capacitor/Resistor Asm
6	6702033	2	Resister-100 OHM, 0.5 W, 5 Per	29	6702140	1	Electric Daital Counter, LCD, 6 Digit
7	3361162	2	Foam Disk, 1.25 Dia, 0.25 Thick	30	6701048	AR	Shielded Cable, 22-3, Stranded
8	3160005	1	Switch-Toggle, SPDT, 2 POS	31	3361029	1	Bracket
9	6701972	1	Pot-1K, 10 Turn	32	0120233	8	Screw, 0.38NC x 1.00
10	6700255	2	Switch-Toggle, 20 AMP, Single Pole	33	0120388	8	Flat Washer, 0.38
11	6701974	16	Switch-Toggle, DPDT, Dry Circuit	34	0120382	8	Lock Washer, 0.38
12	6702076	1	Amber Light	35	0120377	8	Nut, 0.38NC
13	6702077	1	Green Light	36	3321307	1	Elbow Asm
14	6702075	1	Red Light - 12V	37	0121913	4	Screw, 0.25NC x 1.25
15	3361106	1	Tag-Mirror Lt/Rt	38	9413946	4	Lock Nut, 0.25NC
16	3361107	1	Tag-Mirror Up/Down	39	3321306	1	Gasket
17	3361108	1	Tag-Beacon	40	3321308	1	Tube Asm
18	3361109	1	Tag-Bar Latch	41	3311642	1	Flange
19	3361110	1	Tag-Left Wing Fold	42	3321031	3	Mounting Leg
20	3361111	1	Tag-Right Wing Fold	43	3361255	1	Tag-2 Speed Motor, Hi-Lo
21	3361112	1	Tag-Marker				AR = As Required
22	6702094	1	Circuit Breaker-15 AMP				

CONTROL PANEL AND STAND

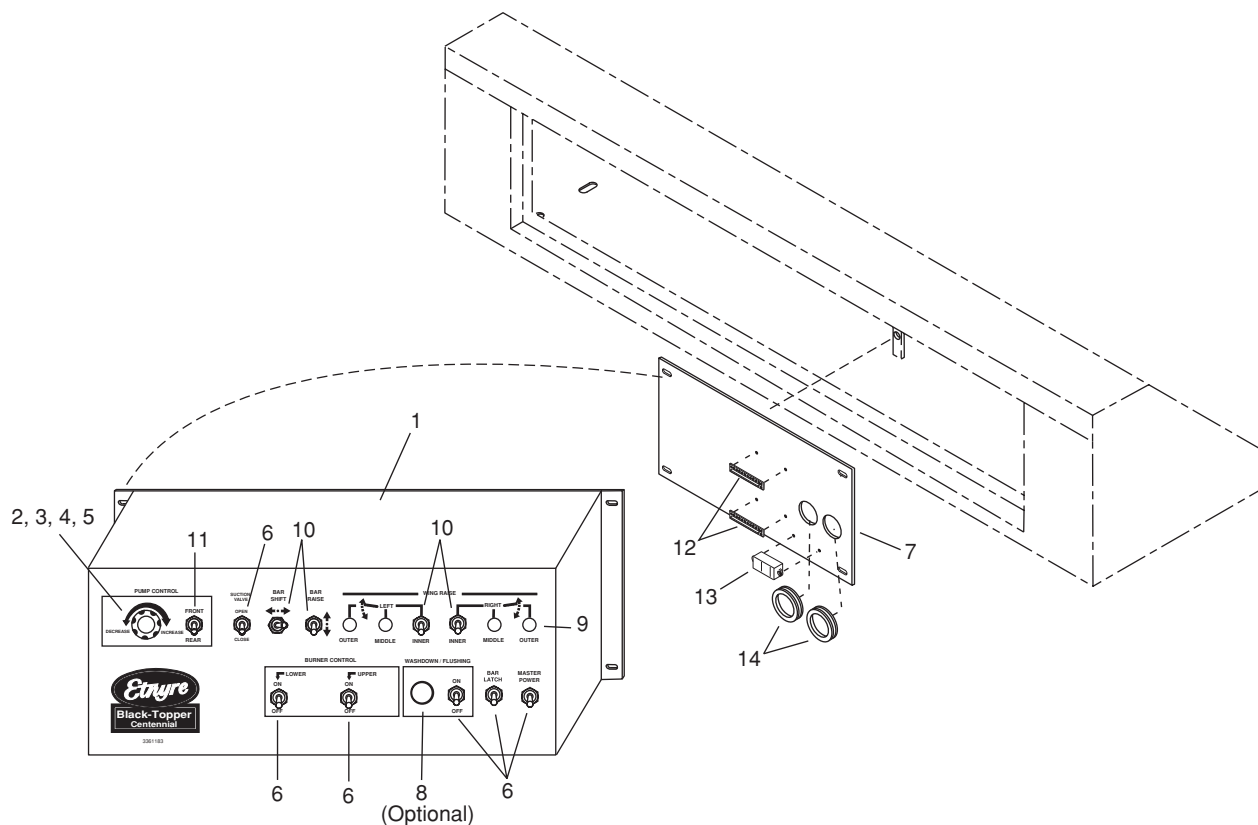
1' Spray bar Controls with DC-2 Computerized Application Rate Control



REF	PART NO.	QTY	DESCRIPTION	REF	PART NO.	QTY	DESCRIPTION
1	3361133	1	Face Plate(Switches & Lights NOT Incl.)	24	6702094	1	Circuit Breaker-15 AMP
	7520019	1	Standard Box Complete (Specify Serial No. for panels with other Options)	25	6702192	1	Interface Board
2	6701976	1	Switch-Toggle, 3PDT, 2 POS	26	6701980	4	Spacer
3	6700161	2	Switch-Toggle, SPDT, MOM	27	6702191	1	Controller
4	6702075	1	Red Light - 12V	28	0120233	8	Screw, 0.38NC x 1.00
5	6702077	1	Green Light	29	0120388	8	Flat Washer, 0.38
6	6702198	8	Push Button Switch, SPDT, ON-MOM	30	0120382	8	Lock Washer, 0.38
7	6702196	3	Red Cap	31	0120377	8	Nut, 0.38NC
8	6701897	4	Toggle Switch, DPDT, 3 Pos, MOM	32	3321307	1	Elbow Asm
9	6702199	AR	Button Plug, 0.50	33	0121913	4	Screw, 0.25NC x 1.25
10	6702188	1	Rotary Switch, 3 Pol, 3 Pos	34	9413946	4	Lock Nut, 0.25NC
11	6701907	1	Control Knob	35	3321306	1	Gasket
12	6702033	1	Resister-100 OHM, 0.5 W, 5 Per	36	3321308	1	Tube Asm
13	6700255	2	Switch-Toggle, 20 AMP, Single Pole	37	3311642	1	Flange
14	3160005	1	Switch-Toggle, SPDT, 2 Pos	38	3321031	3	Mounting Leg
15	6701974	16	Switch-Toggle, PDT, Dry Circuit	39	3361106	1	Tag-Mirror Lt/Rt
16	6702076	1	Amber Light	40	3361107	1	Tag-Mirror Up/Down
17	6702197	5	White Cap	41	3361108	1	Tag-Beacon
18	3361148	1	Window	42	3361109	1	Tag-Bar Latch
19	6702193	1	Display-LCD, DC-2	43	3361110	1	Tag-Left Wing Fold
20	6702194	1	DC-2 Driver Board	44	3361111	1	Tag-Right Wing Fold
21	6702195	1	Inverter	45	3361112	1	Tag-Marker
22	3370249	1	Control Panel Enclosure	46	3361255	1	Tag-2 Speed Motor, Hi-Lo
23	6702072	3	Terminal Strip				

AR = As Required

CONTROL PANEL ASSEMBLY - REAR

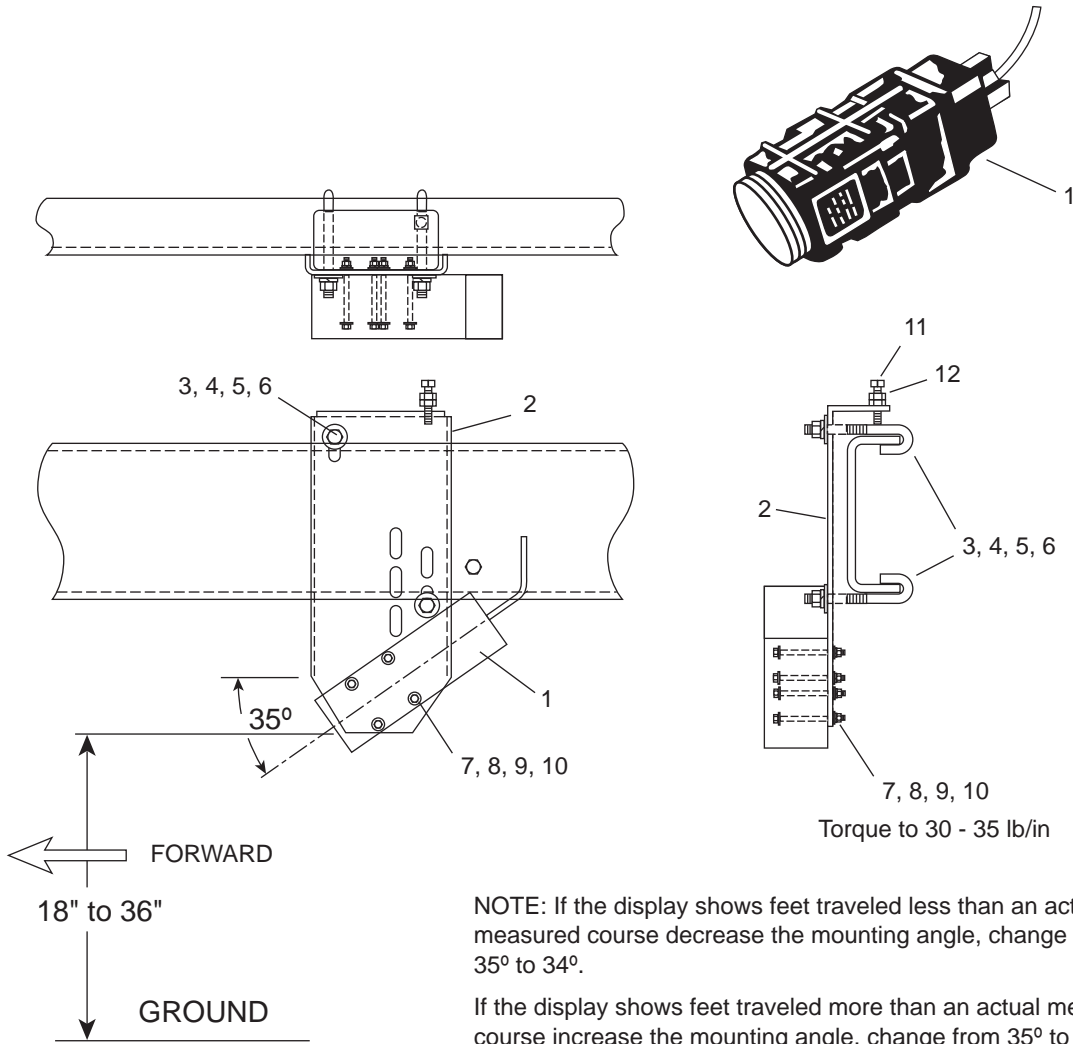


REF	PART NO.	QTY	DESCRIPTION	REF	PART NO.	QTY	DESCRIPTION
1	3361183	1	Faceplate and Box ONLY				
	7520020	1	Control Box Complete (Specify Serial No. for panels with other Options)				
2	6701907	1	Knob-Control				
3	6701911	1	Pot-1K, Single, Linear 2.25 W				
4	6702033	1	Resistor-100 OHM, 0.50 W, 5 Per				
5	3361162	1	Disk-Foam, 1.25 Dia., 0.25 Thick				
6	6700255	AR	Switch-Toggle, SPST, 2 POS				
7	3361260	1	Backplate-RR Control Box				
8	6700875	1	Warning Device, Audio-Visual				
9	6702199	AR	Plug-Button				
10	6701897	AR	Switch-Toggle, DPDT, 3 POS				
11	6701976	1	Switch-Toggle, 3PDT (Used W/DC-2)				
	3160005	1	Switch-Toggle, SPDT (Used w/o DC-2)				
12	6700306	2	Terminal Strip-10 Bar				
13	6702038	1	Relay-12VDC (Units with DC-2)				
	6702000	1	Relay-3DPT, 10A, 6VDC, Coil (Units without DC-2)				
14	6700878	2	Grommet-Rubber, 1.50 ID x 0.38x2.00				

AR - As Required

RADAR SPEED SENSOR INSTALLATION

(Dickey Johns Radar) Used prior to February 1999



NOTE: If the display shows feet traveled less than an actual measured course decrease the mounting angle, change from 35° to 34°.

If the display shows feet traveled more than an actual measured course increase the mounting angle, change from 35° to 36°.

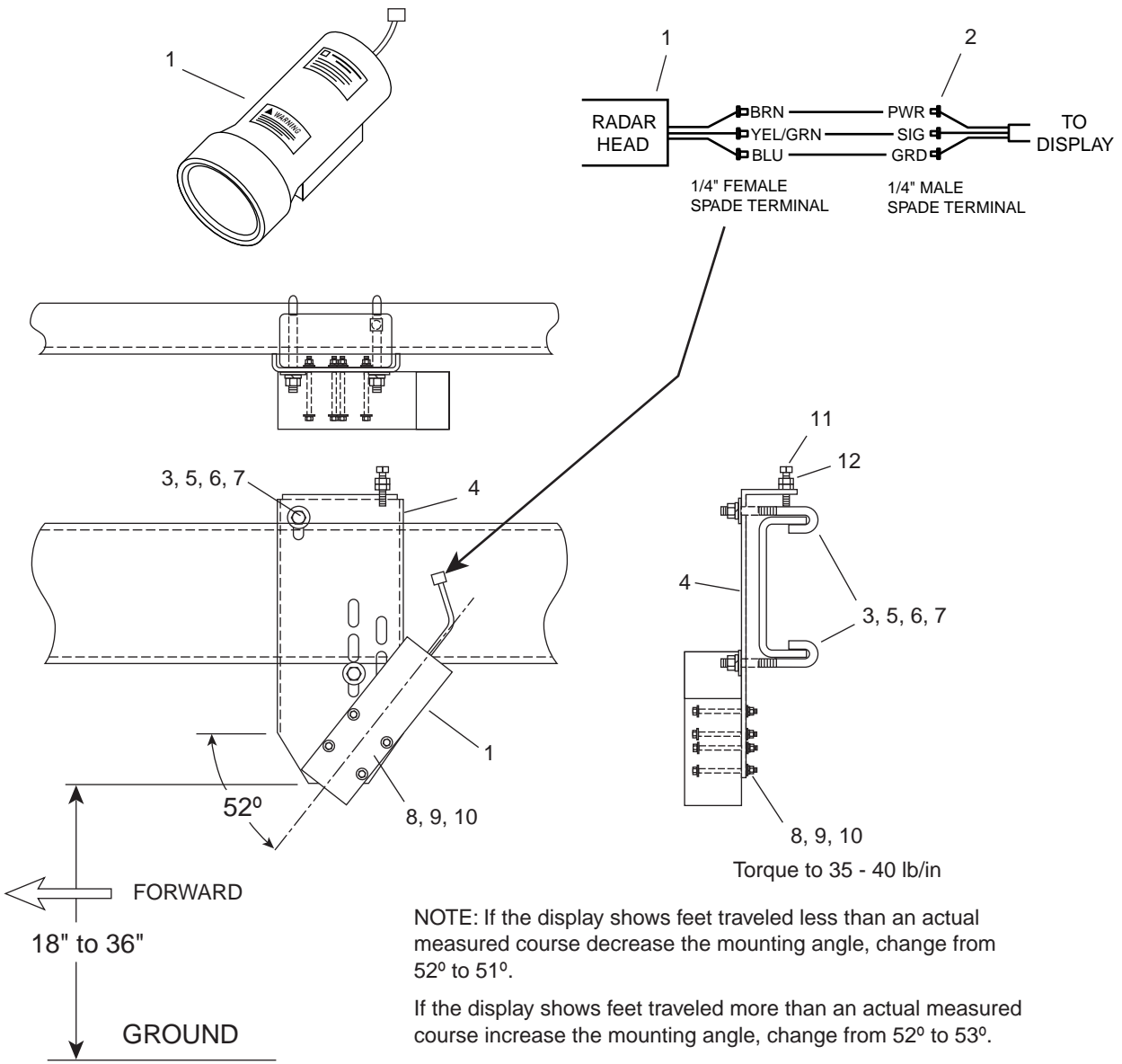
One degree change in angle changes the readout approximately one percent.

Torque to 30 - 35 lb/in

REF	PART NO.	QTY	DESCRIPTION	REF	PART NO.	QTY	DESCRIPTION
1	3370212*	1	Speed Sensor Radar Head, W/O Plug				
	7530050	1	Kit - Window Cover				
	PD10253	1	Decal-Warning				
2	3361019	1	Mounting Plate Asm				
3	3360726	2	Hook Bolt				
4	0121574	2	Lock Washer-0.62				
5	0124589	2	Nut-0.62NC				
6	0130999	2	Flat Washer-0.62				
7	0432903	4	Screw-0.25NC x 4.00				
8	0120386	8	FlatWasher-0.25				
9	9413946	4	Lock Nut-0.25NC				
10	3370254	4	Spacer				
11	0110456	1	Screw, SqHd-0.50NC x 3.00				
12	0120378	1	Nut-0.50NC				
							* May be replaced with RDS Radar Head. Use Kit below:
				3390697	1		Kit-Replacement w/RDS Radar Head (Kit includes 6702478 RDS Radar Head and 3361236 Mounting Plate)

RADAR SPEED SENSOR INSTALLATION

(RDS Radar) Used from February 1999



NOTE: If the display shows feet traveled less than an actual measured course decrease the mounting angle, change from 52° to 51°.

If the display shows feet traveled more than an actual measured course increase the mounting angle, change from 52° to 53°.

One degree change in angle changes the readout approximately one percent.

REF	PART NO.	QTY	DESCRIPTION	REF	PART NO.	QTY	DESCRIPTION
1	6702478*	1	Radar Head - RDS	10	9413947*	4	Nut-Hex,Lock, 0.44NC
2	6701808*	4	Terminal-1/4" Male Spade	11	0110456	1	Screw, Sq.Hd., 0.50NC x 3.00,Cup, PN
3	3360726	2	Hook Bolt	12	0120378	1	Nut-0.50NC
4	3361236*	1	Plate-Mounting, "RDS" Radar				
5	0121574	2	Washer-Lock,0.62, Spring, PD				
6	0124589	2	Nut-Hex, 0.62NC				
7	0130999	2	Flat Washer-0.62				
8	0122267*	4	Screw-0.44NC x 1.25, PD				
9	9420421*	8	FlatWasher-0.44, PD				

* Included in 3390697 Kit-Replacement w/RDS Radar

CIRCULATING SYSTEM

Front Suction Valve
See "SUCTION VALVE ASSEMBLIES" for parts breakdown

Optional
Right Side Fill Lines

OPTIONAL
ID Label

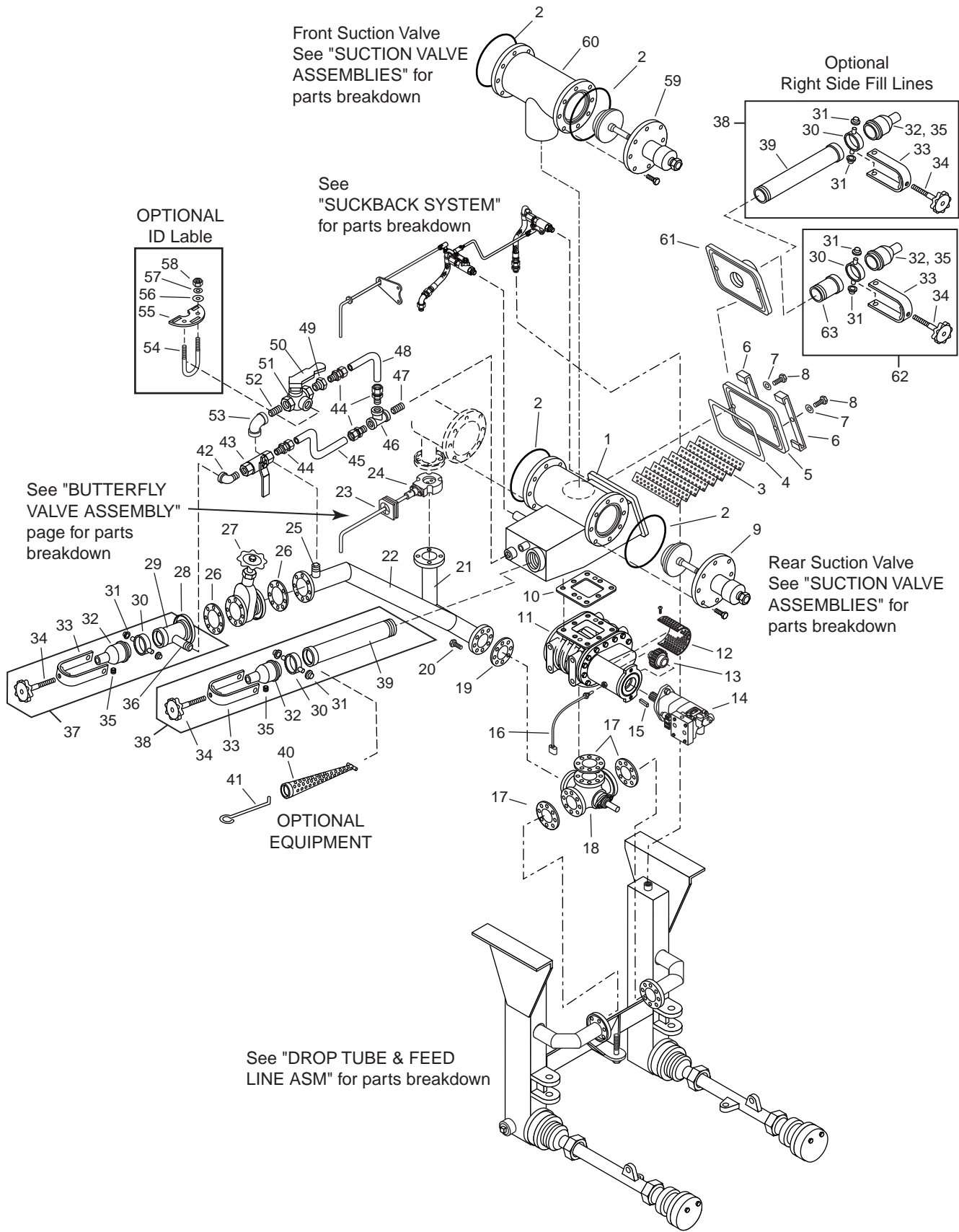
See
"SUCKBACK SYSTEM"
for parts breakdown

See "BUTTERFLY VALVE ASSEMBLY" page for parts breakdown

Rear Suction Valve
See "SUCTION VALVE ASSEMBLIES" for parts breakdown

OPTIONAL
EQUIPMENT

See "DROP TUBE & FEED LINE ASM" for parts breakdown

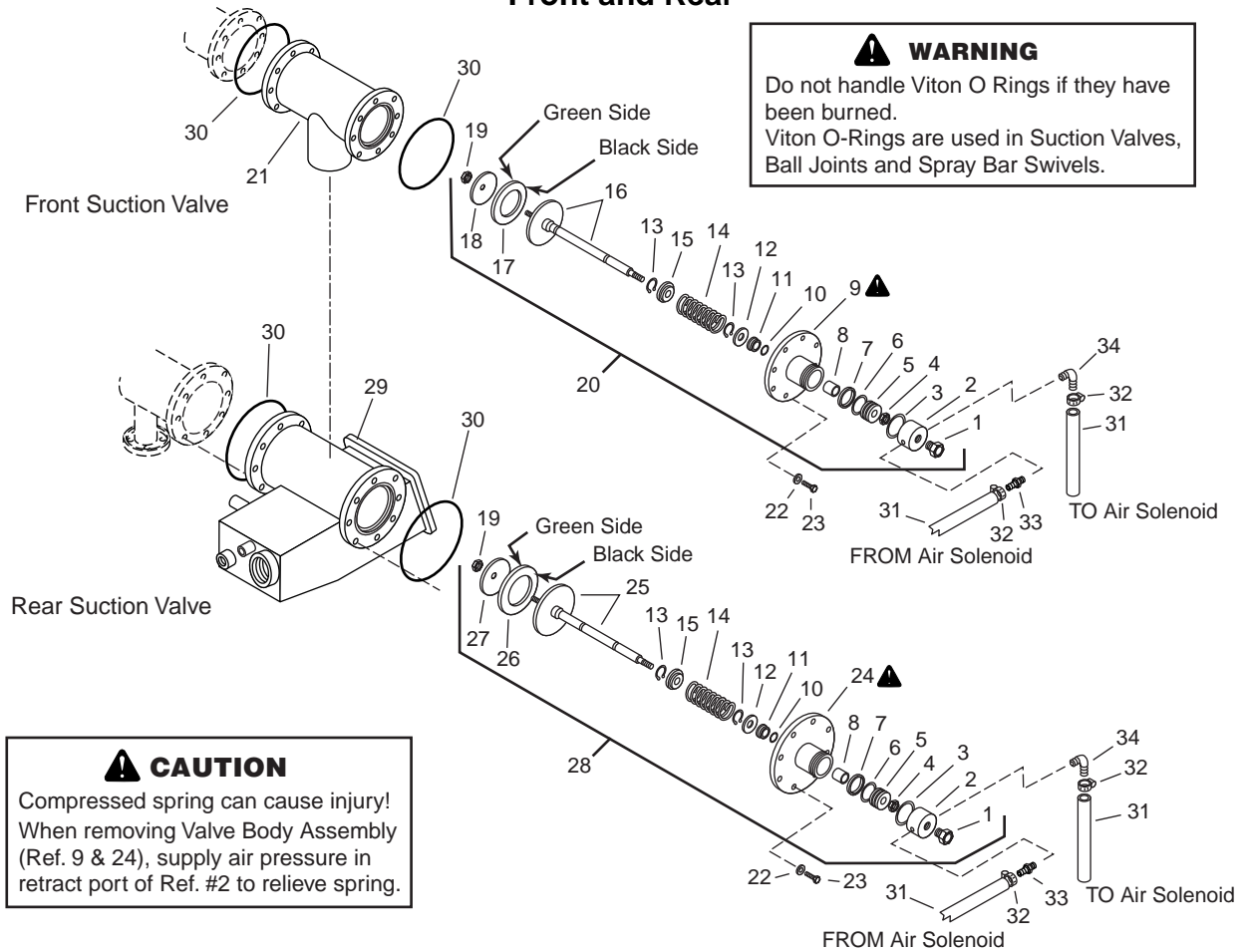


CIRCULATING SYSTEM

REF	PART NO.	QTY	DESCRIPTION	REF	PART NO.	QTY	DESCRIPTION
1	3341653	1	Strainer Box Assembly	48	3341475	1	Tube-Suckback
2	---	AR	Gasket Maker-LOCTITE 510	49	0128003	1	Bushing-Pipe, 1.00 x 0.75NPT, PN
3	3341442	1	Strainer Asm	50	3380695	1	Handle-Valve, H.S., OFFSET
4	7230359	1	Packing, 0.25 Sq.	51	6602404	1	Valve-Plug, 1.00, 3 Way, 2 Port
5	3341965	1	Lid	52	0127874	1	Nipple-Sch 40, 1.00 x 1.50, CL, PN
6	3341964	2	Clamp Bar Asm	53	0119100	1	Elbow-Pipe, 90, 1.00NPT, PN
7	9411727	2	Nut-Hex, Lock, 0.50NC, EA, PD	54	3560170	1	Clip, 2.00 x 2.00 x 0.25, 4.00 Lg.
8	0180175	2	Screw-Hex, 0.50NC x 1.25, GR5, PD	55	S1283AD	1	Label-3 Way H.S. Vlv
9	3341412	1	Rear Suction Valve Mechanism	56	0120386	2	Washer-Flat, 0.25A(0.31 x 0.73)PD
10	3352222	1	Gasket-Pump, Strainer Box	57	0120380	2	Washer-Lock, 0.25, Spring, PD
11	3341699	1	Pump Asm - Asphalt	58	0120375	2	Nut-Hex, 0.25NC, PD
12	3341627	1	Guard	59	3341421	1	Valve Mechanism-4" Front Suction
13	2660142	1	Gear Spline Asm - DC2 Computer	60	3301209	1	Can Asm-4" Front Suction Valve
	2660156	1	Gear Spline Asm - Analog Gauges	61	S1761AK	1	Lid Asm-Strainer Box R+L Fill
	0102581	2	Screw-Sock,0.31NCx0.38,Cup (Included with Gear Spline Asm)	62	3340039	1	Filling Line Asm
14	6602651	1	Motor-2 Speed	63	3340043	1	Pipe Asm-Tank Car
15	6000224	1	Key-0.31 x 0.31 x 1.00				
16	3370270	1	Mag Pickup				
17	3340515	3	Gasket-Flange				
18	3341441	1	4 Way Valve Assembly				
19	3340519	1	Gasket-Return Line				
20	0180124	12	Screw-Hex, 0.38NC x 1.25, GR5, PD				
21	7000262	1	Piping Asm-Butterfly Valve				
22	7000265	1	Line Asm-Return				
23	7230256	1	Extension Asm-Butterfly Vlv				
24	3301208	1	Valve Asm-Butterfly				
25	3560788	1	Nipple-Hlf, Sch 40, 1.00 x 2.75, PN				
26	6000071	2	Gasket-3 Flange, AV10233B, ASB				
27	6600045	1	Vlv-Gate, G1013, 3 Allegney Vlv				
	7420250	1	Gland Follower				
	7420251	1	Packing Set				
	7420252	1	Gland Washer				
28	6000068	1	Flange-20056A, 3 Flued Alegny Cplg				
29	3341481	1	Pipe Asm - Fill Line				
30	3341078	2	Ring Asm-Clamping Transfer Vlv				
	9413946	1	Nut-Hex, Lock, 0.25NC, EA, PD				
	0121913	1	Screw-Hex, 0.25NC x 1.25, GR2, PD				
31	6001056	4	Cap-Retainer, 0.5 Dia Stud				
32	3380388	2	Cap Asm-Fill Line				
33	3340041	2	Clamp Asm-3 Hose Conn.				
34	3340033	2	Clamp Asm-Screw, Filling Line				
35	0219189	1	Plug-Pipe, SqHd, 0.25NPT, PN				
36	3301195	1	Nipple-Pump Off Line				
37	3341482	1	Pipe Asm - Pump Off & Handspray				
38	3301200	1	Fill Line Asm				
39	3301199	1	Tank Car Pipe Asm				
40	3340004	1	Strainer Asm (Optional)				
41	3390030	1	Hook-Intake Strainer				
42	0141621	1	Elbow-Pipe, 90, ST, 0.75NPT, PN				
43	6602237	1	Valve-Ball, 0.75, Bronze				
44	6600852	4	Adapter-ARBK, ST, 12MP-12MT				
45	3341476	1	"S" Tube, Suckback				
46	0125988	1	Tee-Pipe, 0.75NPT, PN				
47	0144613	1	Nipple-Sch 40, 0.75 x 1.38 CL, PN				

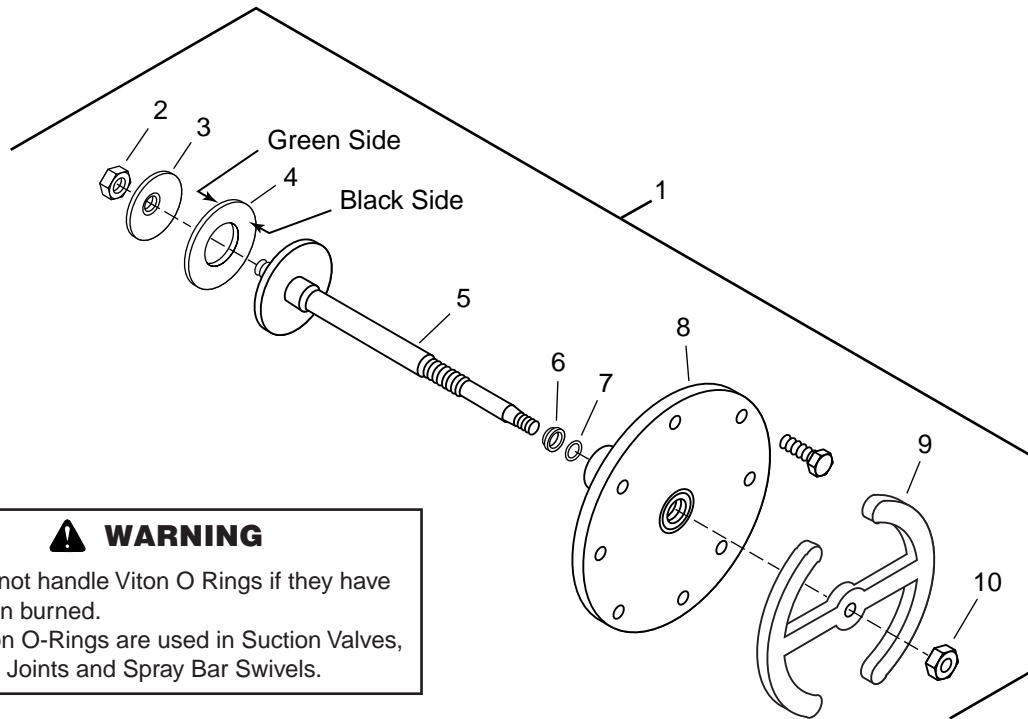
SUCTION VALVE ASSEMBLIES

Front and Rear



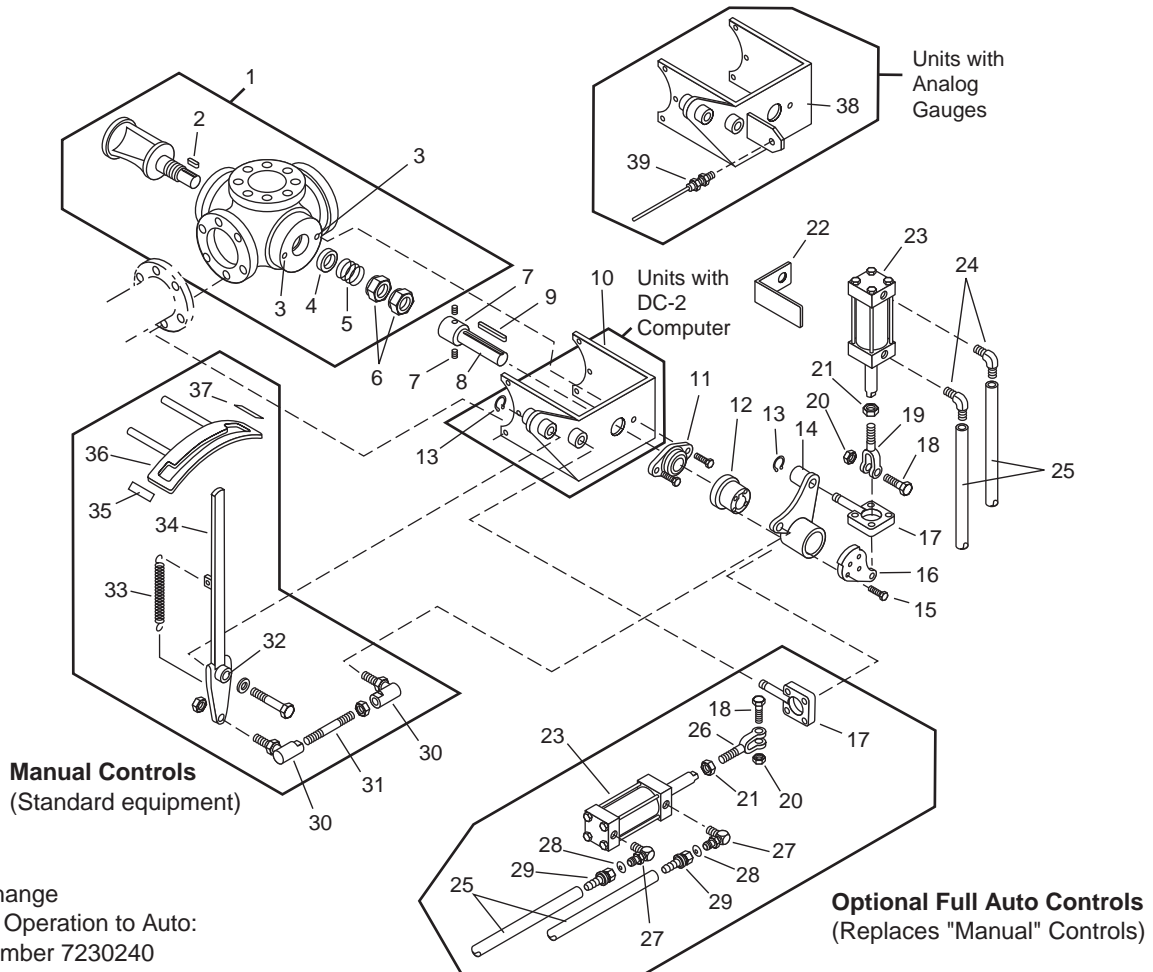
REF	PART NO.	QTY	DESCRIPTION	REF	PART NO.	QTY	DESCRIPTION
1	6602229	1	Sight Plug, 0.75NPT	20	3341421	1	Front Suction Valve - 4" (Does Not Include Items 22 and 23)
2	3341420	1	Cylinder Cap	21	3301209	1	Can Weldment
3	3341414	1	Gasket	22	0120384	8	Washer-Lock, 0.50, Spring, PD
4	9416894	1	Lock Nut, 0.75NC	23	0120426	8	Screw-Hex, 0.50NC x 1.25
5	3341418	1	Piston	24	3341416	1	Body Asm
6	6602233	1	O-Ring, 2.5 OD x 2.1 ID x 0.188, Viton	25	3341455	1	Seat&Shaft Asm
7	6602232	1	Seal, 2.5 Dia, Teflon	26	3341513	1	Gasket Asm
8	6420121	1	Bushing-Du, 1.13 OD x 1.0 ID x 1.5	27	2740137	1	Green Fibre (next to Retainer)
9	3341424	1	Body Asm	28	3341412	1	Black Viton (next to Seat & Shaft Asm)
10	6602152	1	O-Ring, 1.25 OD x 0.125	29	3341653	1	Retainer
11	6602151	1	Scraper-Nitrile, 1.0 ID x 1.5 OD	30	---	AR	Rear Suction Valve Mechanism (Does Not Include Items 22 & 23)
12	3341419	1	Stop	31	6601452	AR	Strainer Box Asm
13	6000322	2	Snap Ring	32	6001005	10	Gasket Maker-LOCTITE 510
14	6602234	1	Spring-#1, 2.4 OD x 1 7/8 ID x 0.312	33	6601795	1	Hose-Air Sol-Cyl. Bar ON-OFF
15	3341117	1	Retainer	34	6602399	AR	Clamp-Hose, Screw Type, M5
16	3341456	1	Seat & Shaft Asm				Hose End-04 x 02MP, ST, LP
17	3341514	1	Gasket Asm				Hose Barb-04 x 02MP, 90, LP
18	2740165	1	Green Fibre (next to Retainer)				
19	3341492	1	Black Viton (next to Seat & Shaft Asm)				
	2740175	1	Retainer				
	9413948	1	Nut-Lock, 0.62NC				

REAR SUCTION VALVE - MANUAL



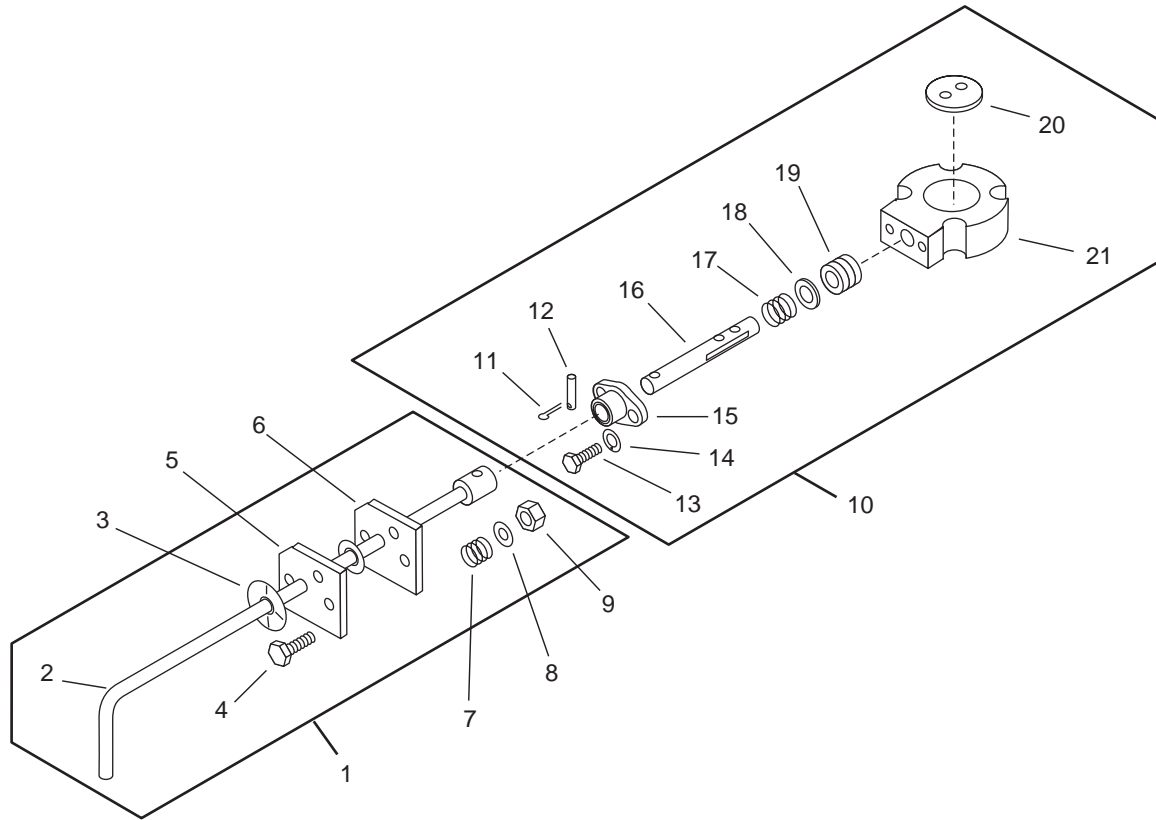
REF	PART NO.	QTY	DESCRIPTION	REF	PART NO.	QTY	DESCRIPTION
1	3341500	1	Valve Asm-Rear Suction, Manual				
2	9413948	1	Nut-Hex, Lock, 0.62NC				
3	2740137	1	Gasket Retainer				
4	2750597	1	Gasket Asm				
	2750597	1	Green Fibre (Next to Retainer)				
	3341491	1	Black Viton (Next to Seat & Shaft Asm)				
5	3341499	1	Plunger Asm				
6	6602151	1	Scraper, 1.00 ID x 1.50 OD				
7	6602152	1	O Ring, 1.25 OD x 0.12				
8	3341497	1	Valve Body Asm				
9	2740354	1	Handwheel				
10	0274637	1	Nut-Hex, Lock, 0.50NF				

4 WAY VALVE ASM AND CONTROLS



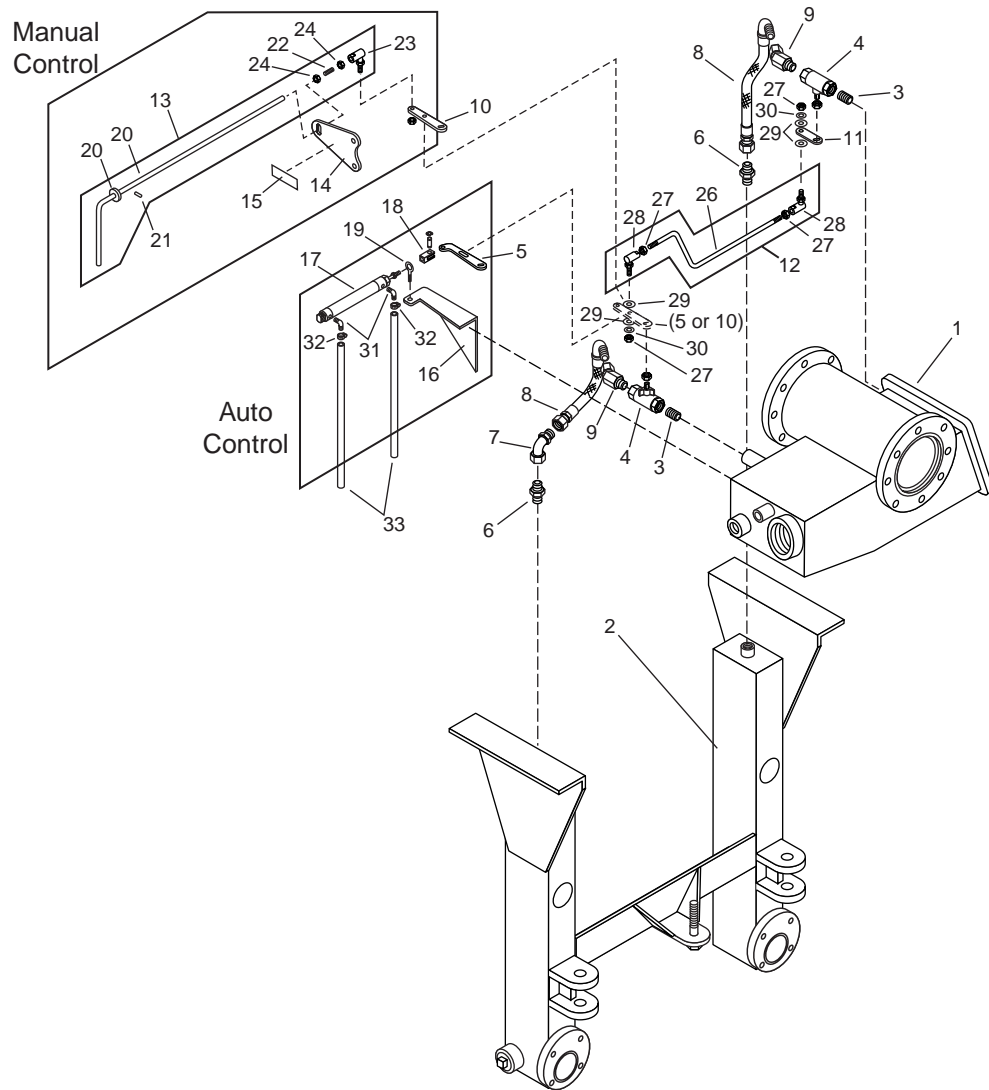
REF	PART NO.	QTY	DESCRIPTION	REF	PART NO.	QTY	DESCRIPTION
1	3341441	1	4 Way Valve Asm	22	3361257	1	Stop
2	6000224	1	Key-0.31 x 0.31CR x 1.00	23	6602250	1	Cylinder-3.00 Bore x 4.00 Stroke
3	0125947	2	0.12 Slotted Pipe Plug	7230238		1	Seal Kit
4	3340029	4	Packing	24	6602398	2	Hose Barb-06 x 06MP, 90, LP
5	3341464	1	Spring	25	6600324	AR	Hose-0.38 Per Ft.
6	3341187	2	Stem Nut	26	6600296	1	Yoke
7	0102582	2	Screw-Sock, 0.32NC x 0.50, CUP	27	6600085	2	Auto Elbow, 90, 06MP-06MS
8	3361150	1	Extension Shaft Asm	28	3361158	2	Orifice
9	3361156	1	Key-0.31 Sq. x 2.00	29	6600306	2	Hose End-06 x 06FSX, ST, LPSP
10	3361134	1	Mounting Asm	30	6100126	2	Balljoint, 0.44NC
11	6420191	1	Ball Bearing Flange, 2 Bolt, 1.25	31	3352767	1	Adjusting Link
12	3341446	1	Hub	32	3361078	1	Bushing
13	6000288	2	Retainer Ring	33	3360672	1	Spring
14	3341470	1	Lever Asm	34	3361141	1	Shift Asm
	3341447	1	Lever Asm	35	3361154	1	Label - Valve Pos-Cir In Tank-Load
15	0180024	4	Screw-0.25NC x 1.25, GR5	36	7230255	1	Detent Asm
16	3341444	1	Lever Asm	37	3361153	1	Label - Vlv Pos-Cir In Bar
17	3361170	2	Mount Asm	38	3361134	1	Mounting Asm-Units w/Analog Gauges
18	0180151	1	Screw-0.44NC x 1.75, GR5	39	3370251	1	Switch Asm -units w/Analog Gauges
19	3352768	1	Yoke				
20	9413947	1	Nut-Hex, Lock, 0.44NC				
21	0120371	2	Nut-Hex, 0.50NF				AR = As Required

BUTTERFLY VALVE



REF	PART NO.	QTY	DESCRIPTION	REF	PART NO.	QTY	DESCRIPTION
1	7230256	1	Extension Asm-Butterfly Vlv, PO				
2	3380606	1	Extension Asm-Butterfly Valve, Bid				
3	3390651	1	Decal-Butterfly Valve Bid Unit				
4	0121926	2	Screw-Hex, 0.25NC x 1.50, GR2, PD				
5	3341961	1	Support Bracket-Butterfly Valve				
6	3341397	1	Support Bracket-Butterfly Valve				
7	6000496	2	Spring-Release, LE ROI1473				
8	0120386	2	Washer-Flat, 0.25A(0.31 x 0.73)PD				
9	9416509	2	Nut-Hex, Lock, 0.25, GR8, PN				
10	3301208	1	Valve Asm-Butterfly, Mod.				
11	9413946	1	Nut-Hex, Lock, 0.25NC, EA, PD				
12	0121954	1	Screw-Hex, 0.25NC x 2.00, GR2, PD				
13	0122007	2	Screw-Hex, 0.31NC x 0.75, GR2, PD				
14	0120214	2	Washer-Lock, 0.31, Spring, PD				
15	3340022	1	Cap-Gland, Dual Valve, 2.5				
16	3340024	1	Stem-Butterfly				
17	3340045	1	Spring-Compression				
18	3341364	1	Washer-Flat, 0.781 x 1.000				
19	3340023	4	Packing-Dual Valve, 2.5				
20	3340025	1	Disc-Butterfly				
21	3301207	1	Body-Butterfly Valve				

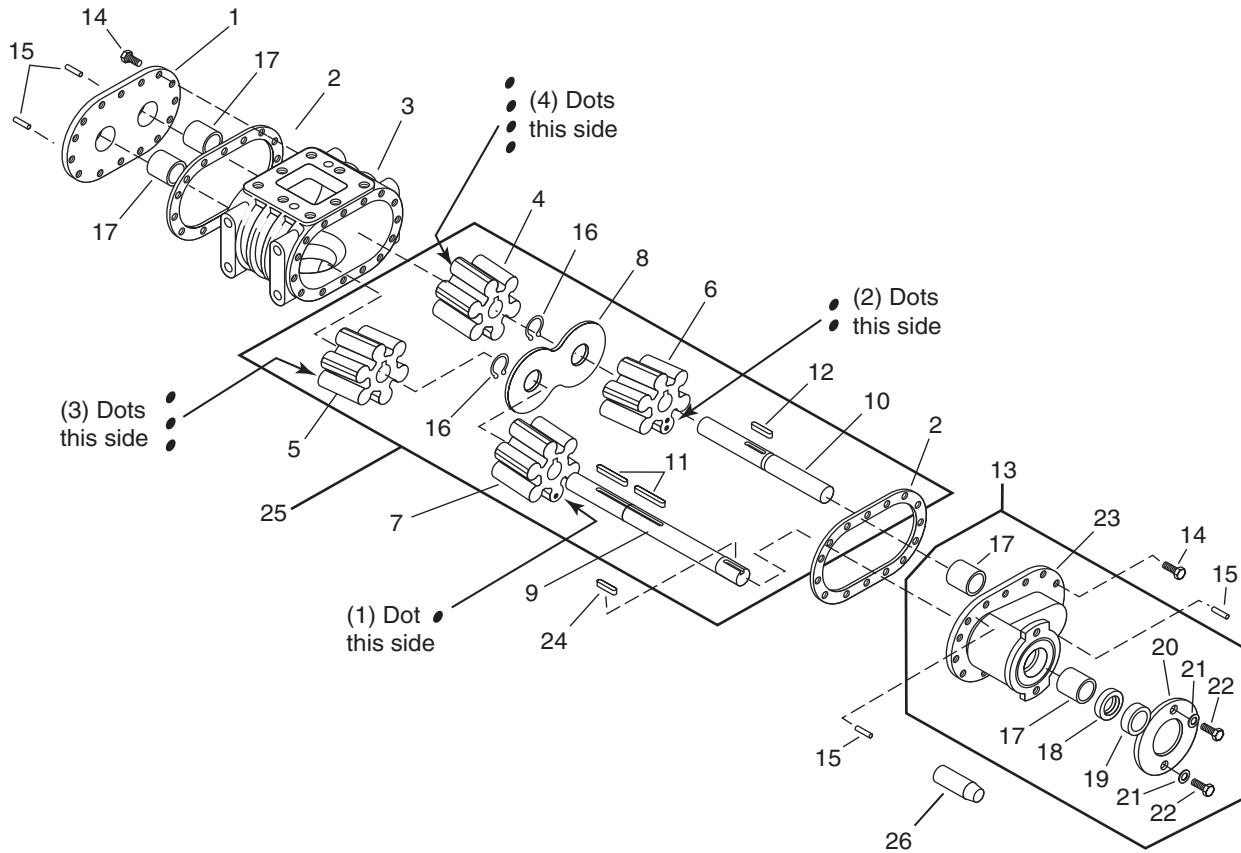
SUCKBACK SYSTEM



REF	PART NO.	QTY	DESCRIPTION	REF	PART NO.	QTY	DESCRIPTION
1	3341653	1	Strainer Box Asm-Phase II	18	6602339	1	Clevis-Rod, Cyl
2	3341659	1	Drop Tube & Hanger Plate Asm	19	6100337	1	Bolt-Eye, 0.31 NC X 1.00, PD
3	0144613	2	Nipple-Sch 40, 0.75 X 1.38 CL, PN	20	3341681	1	Rod-Suckb, Oper, Phase II
4	6602237	2	Valve-Ball, .750, Bronze	21	0456299	1	Pin-Spring, 0.25 X 1.00, HV, PN
5	3341697	1	Lever-Suckb, Long, Auto, Phase II	22	3341531	1	Rod-Threaded, Suckback
6	9402711	2	Adapter-Hydr, ST, 12MP-12MJ	23	9422787	2	Joint-Ball, W/Dust Cover, 5/16, G
7	9410257	1	Elbow-Hydr, ST, 45, 12FJX-12MJ	24	0120368	2	Nut-Hex, 0.31NF, PD
8	6200846	2	Hose Asm- 12X11.75, 12FJX-12MP90	25	0114951	1	Washer-Flat, 1/2", PN
9	4470915	2	Elbow-Hydr, 45, 12FJX-12MP	26	3341679	1	Rod-Tie, Suckb, Vlvs, Phase II
10	3341677	1	Lever-Suckback, Long, Phase II	27	0120369	4	Nut-Hex, 0.38NF, PD
11	3341678	1	Lever-Suckback, Short, Phase II	28	6100138	2	Joint-Ball, 0.37 NF, SR-109G
12	3341680	1	Tie Rod Asm Suckb Vlvs	29	0120388	4	Washer-Flat, 0.38
13	3341682	1	Tie Rod Asm Suckb Oper	30	0120382	2	Washer-Lock, 0.38, Spring, PD
14	3341685	1	Nracket-Supt, Suckb Rod, Phase II	31	6602399	2	Hose Barb-04 x 02MP, 90, LP
15	3390676	1	Decal: Suck Back, Push/Pull	32	6001005	2	Clamp-Hose, Screw Type, M5
16	3341684	1	Bracket-Mtg, Suckb Cyl	33	6601452	AR	Hose-Air Sol-Cyl.
17	6602719	1	Cylinder-Air, 1.06 B X 6" Stroke				

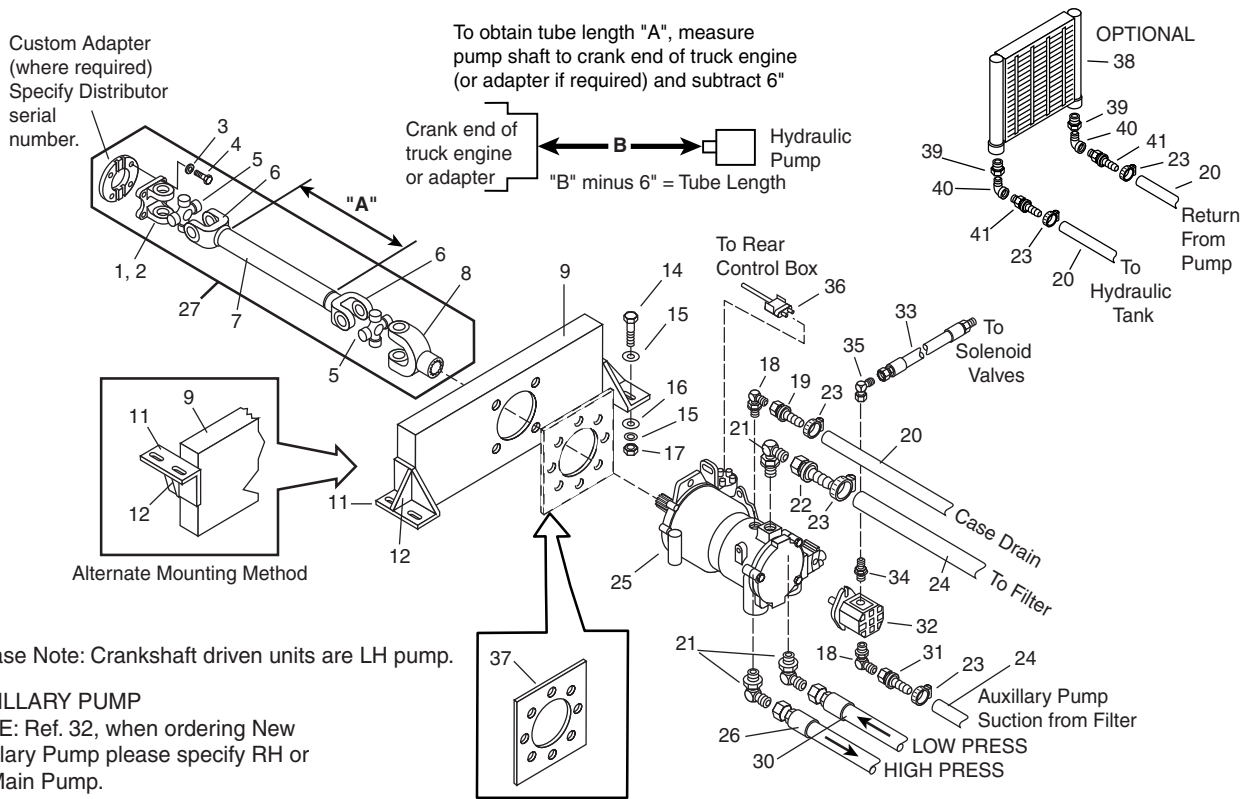
ASPHALT PUMP ASSEMBLY

3341699



REF	PART NO.	QTY	DESCRIPTION	REF	PART NO.	QTY	DESCRIPTION
1	3341558	1	Plate Asm - Rear Plate	15	0103615	4	Pin-Taper, 0.5 x 1.255
2	3340287	2	Gasket-Face Plate	16	6001169	2	Snap Ring-Ext
3	3341216	1	Case-Pump, P-15	17	3341559	2	Bearing-Pump Shaft
4	3340279	1	Impeller-Herringbone (4)LH w/Key	18	6420231	1	Seal-Shaft, HP, 1 7/16 Shaft
5	3340277	1	Impeller-Herringbone (3)RH w/Key	19	3341646	1	Seal Retainer
6	3341462	1	Impeller-Herringbone (2)	20	3341647	1	Seal Retainer Plate
7	3341463	1	Impeller-Herringbone (1)	21	0120382	2	Washer-Lock, 0.38, Spring, PD
8	3340298	1	Plate-Division	22	0122119	2	Screw-Hex, 0.38NC x 0.75, GR2, PD
9	3341698	1	Pump Shaft - Drive	23	3341555	1	Endplate, Blind Brg,Pump/Motor Mt.
10	3341553	1	Pump Shaft - Idler	24	6000224	1	Key-0.31 x 1.00
11	2640725	2	Keystock 1/4 X 1/4 x 2 1/2 Lg	25	7000310	1	Impeller Set (Does not include Item 24)
12	2640726	2	Keystock 1/4 X 1/4 x 1 Lg	26	3321447	1	Seal Tool-Asphalt Pump
13	3341557	1	Front Face Plate Assembly (Includes items 17 thru 23)				
14	0120233	40	Screw-Hex, 0.38NC x 1.00 GR2,PD				

HYDRAULIC PUMP DRIVE - CRANKSHAFT DRIVEN 40 Series Pump



Please Note: Crankshaft driven units are LH pump.

AUXILLARY PUMP

NOTE: Ref. 32, when ordering New Auxillary Pump please specify RH or LH Main Pump.

Adapter plate for mounting 40 Series Pump
to 90 Series Pump mounting bracket

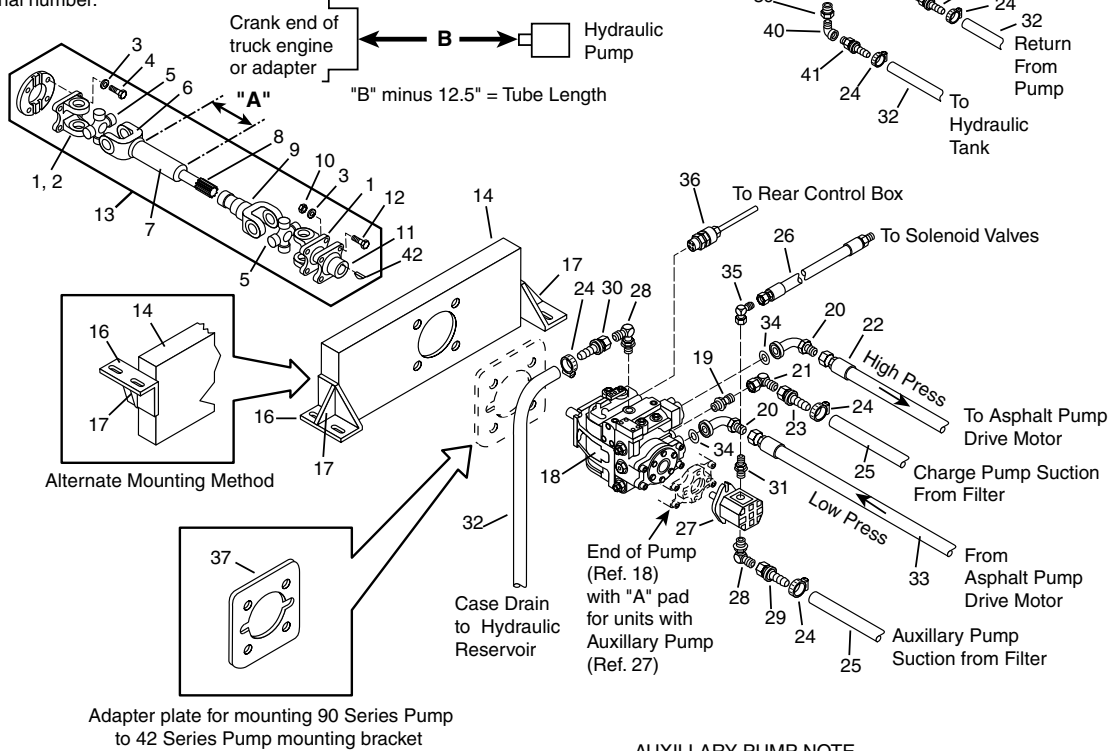
REF	PART NO.	QTY	DESCRIPTION	REF	PART NO.	QTY	DESCRIPTION
1	6440172	1	Yoke-Flange, 2.75 Male Pilot	6602716	1	1	Pump-2.8CI, LH, EDC, 15T, No Pad
2	3170021	2	Yoke-Flange, 2.38 Male Pilot	6602718	1	1	Pump-2.8CI, LH, EDC, Spline, No Pad
3	0120382	4	Lock Washer, 0.38, Spring, PD	7010093	1	1	Seal Kit (Both Pumps)
4	0454904	4	Hex Screw, 0.38NC x 0.75, GR8, PD	7010095	1	1	Electronic Stroker (Both Pumps)
5	3170013	2	Journal & Bearing	7010099	1	1	Cover Plate
6	6440164	2	Yoke	7010100	2	2	Screw
7	6303278	AR	Tube-2.00 x 14 Ga.	7010101	1	1	O Ring
8	6440200	1	Yoke-End, 1.00, 15T	26	9250610	AR	Hyd Hose Asm, HP (Specify Length)
9	3321423	1	Mtg. Channel	27	9301275	1	Drive Line Asm
11	3321330	2	Angle (S1001 - S1189 & Above)	28	0120377	4	Nut, 0.38NC
	3321424	1	Angle, LH	29	0186679	4	Hex Screw, 0.38NC x 1.25, GR8
	3321426	1	Angle, RH	30	9250611	1	Hose Asm, LP, 12FJX-12FJX (Specify Lg)
12	3321332	2	Gusset	31	6601812	1	Hose End, 12FJ, 1.00 Hose
14	0122459	4	Hex Screw, 0.50NC x 2.00, GR2, PD	32	6602390	1	Hyd Pump, 0.68CI, A Pad, Spline, LH
15	0120390	4	Flat Washer, 0.50A, W, PD		7420255	1	Seal Kit
16	0120384	4	Lock Washer, 0.50, Spring, PD	33	9250612	1	Hose Asm, LP (Specify Length)
17	0120378	4	Nut, 0.50NC, PD	34	6600903	1	Hyd Adapter, ST, 08MJ-10MB
18	9410979	2	Hyd Elbow, 90, 12MB-12MJ	35	9410281	1	Hyd Elbow, 90, 08FJX-08MJ
19	6600648	1	Hose End-12 x 12FJX, ST, Push Lock	36	3370247	1	Cable Asm - Pump Stroker
20	6600646	AR	Hose-Self Grip	37	3321414	1	Adapter - 90 Series Brkt.,40 Series Pump
21	6601568	3	Hyd Elbow, 90, 16MB-16MJ	38	6600880	1	Oil Cooler
22	6601566	1	Hose End, 16FJX-16, ST	39	0128003	2	Pipe Bushing-1.00 x 0.75NPT
23	6000792	1	Hose Clamp, Worm Drive, 1.06 to 2	40	0141621	2	Pipe Elbow, 90, ST, 0.75NPT
24	6601564	AR	Suction Hose, 1.00 ID, SAE 100R4	41	6600647	2	Hose End, 12 x 12MP, ST, LPSP
25	6602717	1	Pump-2.8CI, LH, EDC, Spline, A Pad				
	7010098	1	A Pad				
	6602715	1	Pump-2.8CI,RH,EDC,Spline, W/A Pad				

AR = As Required

HYDRAULIC PUMP DRIVE - CRANKSHAFT DRIVEN 90 Series Pump

Custom Adapter
(where required)
Specify Distributor
serial number.

To obtain tube length "A", measure
pump shaft to crank end of truck engine
(or adapter if required) and subtract 12.5"



Please Note: Crankshaft driven units are LH pump.

AUXILLARY PUMP NOTE

Ref. 27, when ordering New Auxillary Pump please specify RH or LH Main Pump.

REF	PART NO.	QTY	DESCRIPTION	REF	PART NO.	QTY	DESCRIPTION
1	3170021	1	Yoke-Flange, 2.38 Male Pilot	20	6601045	2	Hyd Elbow, 90, 16FL-16MJ
2	6440172	1	Yoke-Flange, 2.75 Male Pilot	21	9410285	1	Hyd Elbow, 90, 16FJX-16MJ
3	0120382	8	Lock Washer, 0.38, Spring, PD	22	9250610	1	Hose Asm-HP (Specify Length)
4	0454904	4	Hex Screw, 0.38NC x 0.75, GR8, PD	23	6601566	2	Hose End, 16FJX-16, ST
5	3170013	2	Journal & Bearing	24	6000792	6	Hose Clamp, Worm Drive, 1.06 to 2
6	6440164	1	Yoke	25	6601564	AR	Suction Hose, 1.00 ID
7	6303278	AR	Tube-2.00 x 14 Ga. (Specify Length)	26	9250612	1	Hose Asm-LP (Specify Length)
8	6440199	1	Shaft	27	6602390	1	Pump, 0.68CI, A Pad, Spline, LH
9	3110034	1	Yoke Sleeve	7420255	1	Seal Kit	
10	0120377	4	Nut, 0.38NC, PD	28	9410979	2	Hyd Elbow, 90, 12MB-12MJ
11	6440162	1	Flange Companion	29	6601812	1	Hose End, 12FJ-1" Hose
12	0186679	4	Hex Screw, 0.38NC x 1.25, GR8, PD	30	6600648	AR	Hose End, 12 x 12FJX, ST, Push Lock
13	9301215	1	Drive Line Asm	31	6600903	1	Hyd Adapter, ST, 08MJ-10MB
14	3321422	1	Mtg. Channel	32	6600646	AR	Hose-Self Grip (Specify Length)
16	3321424	1	Angle, LH	33	9250611	1	Hose-LP, 12FJX-12FJX (Specify Lgth)
	3321426	1	Angle, RH	34	0274253	2	O Ring Tube, Fitting, 1.50
17	3321332	2	Gusset	35	9410281	1	Hyd Elbow, 90, 08FJX-08MJ
18	6602755	1	Pump-4.57, LH, Ele., A Pad	36	3370185	1	Cable Asm-Pump Stroker
	6602754	1	Pump-4.57, RH, Ele., A Pad	37	3321453	1	Adapter - 42 Series brkt, 90 Series Pump
	7010097	1	A Pad Asm Complete	38	6600880	1	Oil Cooler
	6602753	1	Pump-4.57, LH Ele., No Pad	39	0128003	2	Pipe Bushing-1.00 x 0.75NPT
	6602752	1	Pump-4.57, RH, Ele., No Pad	40	0141621	2	Pipe Elbow, 90, ST, 0.75NPT
	7010092	1	Seal Kit (Both Pumps)	41	6600647	2	Hose End, 12 x 12MP, ST, LPSP
	7010096	1	Electronic Stroker (Both Pumps)				
19	9410233	1	Hyd Adapter, ST, 16MB-16MJ				AR - AS REQUIRED

HYDROSTATIC DRIVE SYSTEM - PTO DRIVEN

40 Series Pump

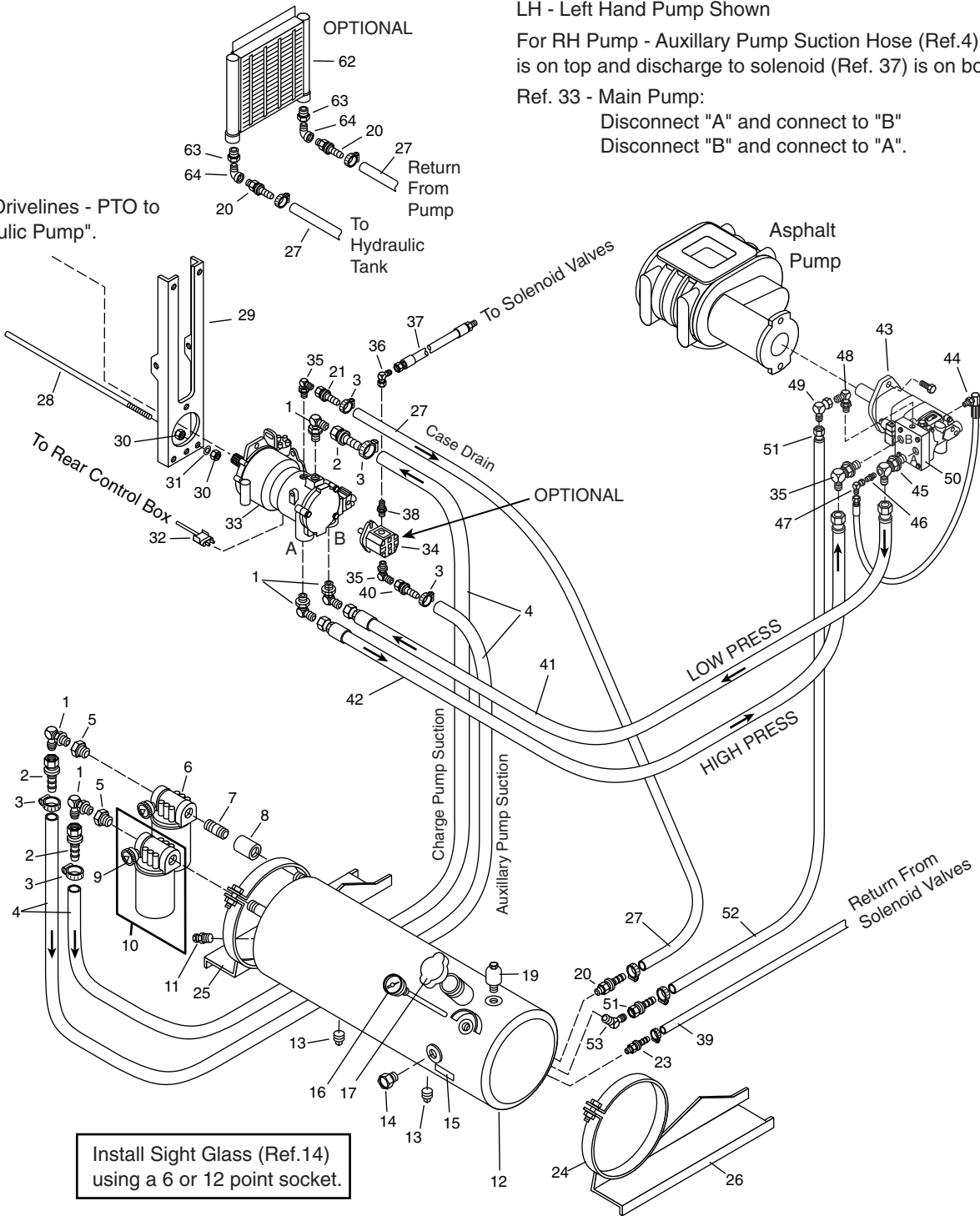
LH - Left Hand Pump Shown

For RH Pump - Auxillary Pump Suction Hose (Ref.4) is on top and discharge to solenoid (Ref. 37) is on bottom.

Ref. 33 - Main Pump:

Disconnect "A" and connect to "B"
Disconnect "B" and connect to "A".

See "Drivelines - PTO to Hydraulic Pump".



Install Sight Glass (Ref.14) using a 6 or 12 point socket.

IMPORTANT
Fill reservoir with clean Texaco Rando oil HD 46, or Sunoco Sunuis 821WR or equivalent hydraulic oil.

HYDROSTATIC DRIVE SYSTEM - PTO DRIVEN

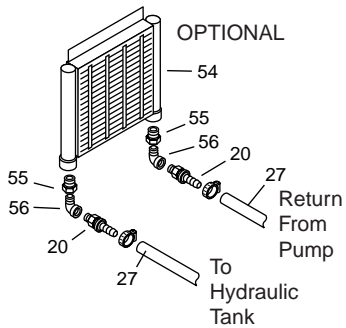
40 Series Pump

REF	PART NO.	QTY	DESCRIPTION	REF	PART NO.	QTY	DESCRIPTION
1	6601568	2	Elbow-Hyd, 90, 16MB-16MJ	36	9410218	1	Elbow-Hyd, 90, 08FJX-08MJ
2	6601566	3	Hose End, 16-16FJX, ST	37	9250612	1	Hose Asm-LP (Specify Length)
3	6000792	3	Clamp-Hose, Worm Dr., 1.06 to 2	38	6600903	1	Adapter-Hyd, ST, 08MJ-10MB
4	6601564	AR	Suction Hose, 1" ID	39	6600662	1	Hose-Push Lock, 0.50 (SpecifyLength)
5	0215915	1	Pipe Bushing, 1.25 x 1.00 NPT	40	6601812	1	Hose End, 16-12FJX, ST
6	6602214	1	Vacumn Filter, 10 Micron	41	9250611	1	Hose Asm-LP, 12FJX-16FJX (Specify Length)
	7420244	1	Replacement Element	42	9250610	1	Hose Asm-HP (Specify Length)
7	0219357	1	Nipple-1.25 x 2.00, CL	43	6602651	1	Motor-2 Speed
8	0144066	1	Pipe Coupling, 1.25 NPT	44	3361213	1	Hose Asm-04
9	7420042	2	Indicator	45	3321391	1	Elbow-Hyd
10	6601571	1	Return Line Filter, 1.25 NPT	46	2960203	1	Orifice Fitting
	7420219	1	Element, 10 Micron	47	9410278	1	Elbow-Hyd, 90
11	6600237	1	Thermo Switch	48	6601200	1	Elbow-Hyd, 90, 6MB - 8MJ
12	3321386	1	Hyd Tank Asm, 12" x 55"	49	9410281	1	Elbow-Hyd, 90, 8FJX-8MJ
	3321905	1	Hyd Tank Asm, 14" x 40"	50	6602652	1	Motor Control Valve, 2 Speed Motor
13	0219301	4	Plug-Pipe, SqHd, 0.75 NPT	51	6600664	2	Hose End-8FJX, ST
14	6600224	1	Eyesite Oil Plug	52	6600662	1	Hose-0.50
15	3390605	1	Oil Spec. Instruction Plate	53	6602170	1	Elbow-Hyd, 45, 8MJ-8MP
16	6500039	1	Thermometer-2" Dial, 9" Dual				
17	3330026	1	Cap				
18	6000233	1	Gasket-2.18", Leather				
19	6600223	1	Breather				
20	6600647	1	Hose End-12 x 12MP, ST, LPSP				
21	6600648	3	Hose End-12 x 12FJX				
22	9402828	1	Elbow-Hyd, 45, 12MJ-12MP				
23	6600663	1	Hose End-08 x 08MP, ST, LPSP				
24	3301156	2	Strap-12" Tank				
	3331867	2	Strap-14" Tank				
25	3301158	1	Hanger-LH, 12" Tank				
	3301307	1	Hanger-LH, 14" Tank				
26	3301157	1	Hanger-RH, 12" Tank				
	3301306	1	Hanger-RH, 14" Tank				
	3301309	1	Combination Hanger, LH, Center				
27	6600646	2	Self Grip Hose, 0.75 (Specify Length)				
28	6303119	1	Round-0.50 CR				
29	3321374	1	Support-Pump, 40 Series				
30	0120378	2	Nut-Hex, 0.50 NC				
31	0120384	2	Lock Washer, 0.50				
32	3370247	1	Cable Asm-Pump Stroker				
33	6602717	1	Pump-2.8CI, LH, EDC., Spline A Pad				
	6602715	1	Pump-2.8CI, RH, EDC., with A Pad				
	7010098	1	A Pad (6602716 & 6602717)				
	6602716	1	Pump-2.8CI, LH, EDC., 15T, No Pad				
	6602718	1	Pump-2.8CI, RH, EDC., 15T, No Pad				
	7010093	1	Seal Kit (All Pumps)				
	7010095	1	Electronic Stroker (All Pumps)				
	7010099	1	Cover Plate				
	7010100	2	Screw				
	7010101	1	O Ring				
34	6602390	1	Aux Pump, 0.68 CI, A Pad, Spline, LH				
	6602391	1	Aux Pump, 0.68 CI, A Pad, Spline, RH				
	7420255	1	Seal Kit (6602390 & 6602391)				
35	9410979	3	Elbow-Hyd, 90, 12MB-12MJ				

AR = As Required

HYDROSTATIC DRIVE SYSTEM - PTO DRIVEN

90 Series Pump



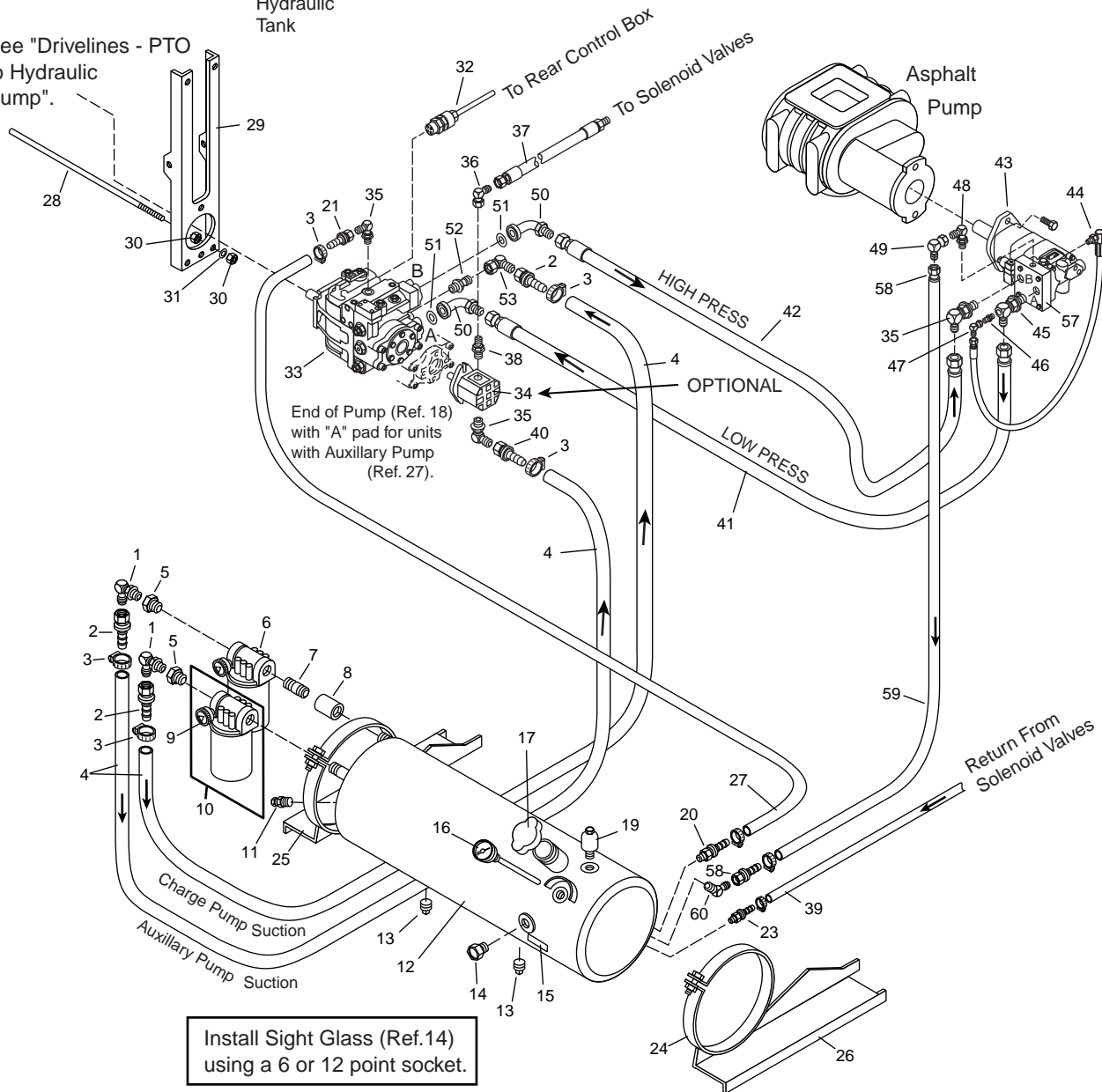
LH - Left Hand Pump Shown

For RH Pump - Auxillary Pump Suction Hose (Ref.4) is on top and discharge to solenoid (Ref. 37) is on bottom.

Ref. 33 - Main Pump:

Disconnect "A" and connect to "B"
Disconnect "B" and connect to "A".

See "Drivelines - PTO to Hydraulic Pump".



Install Sight Glass (Ref.14) using a 6 or 12 point socket.

IMPORTANT

Fill reservoir with clean Texaco Rando oil HD 46, or Sunoco Sunuis 821WR or equivalent hydraulic oil.

HYDROSTATIC DRIVE SYSTEM - PTO DRIVEN

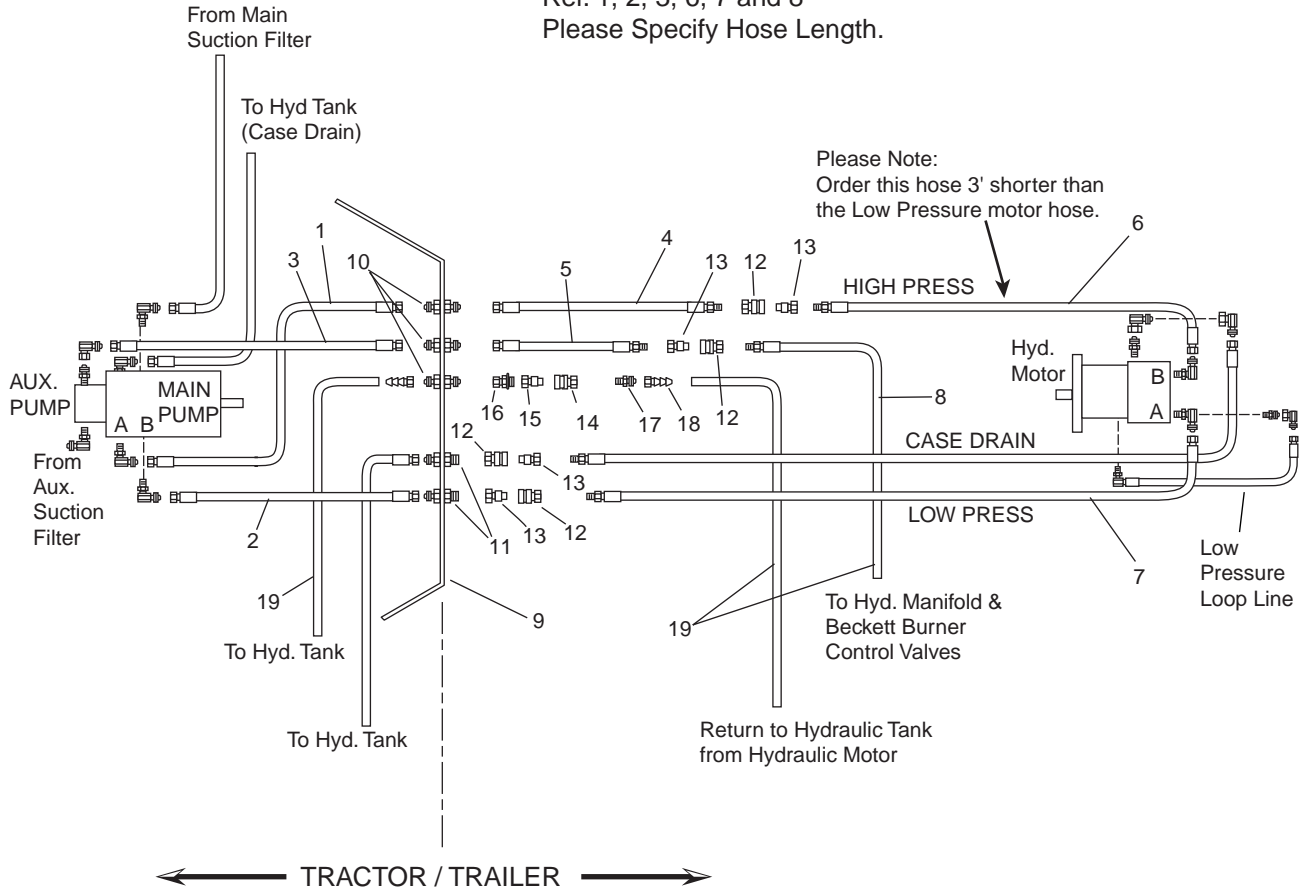
90 Series Pump

REF	PART NO.	QTY	DESCRIPTION	REF	PART NO.	QTY	DESCRIPTION
1	6601568	2	Elbow-Hyd, 90, 16MB-16MJ	37	9250612	1	Hose Asm-LP (Specify Length)
2	6601566	3	Hose End, 16-16FJX, ST	38	6600903	1	Adapter-Hyd, ST, 08MJ-10MB
3	6000792	3	Clamp-Hose, Worm Dr., 1.06 to 2	39	6600662	1	Hose-Push Lock, 0.50 (Specify Length)
4	6601564	AR	Hose-Suction, 1" ID	40	6601812	1	Hose End, 16-12FJX, ST
5	0215915	1	Bushing-Pipe, 1.25 x 1.00 NPT	41	9250611	1	Hose Asm-LP, 12FJX-16FJX (Specify Length)
6	6602214	1	Filter-Vacumn, 10 Micron	42	9250610	1	Hose Asm-HP (Specify Length)
	7420244	1	Replacement Element	43	6602651	1	Motor-2 Speed
7	0219357	1	Nipple-1.25 x 2.00, CL	44	3361213	1	Hose Asm-04
8	0144066	1	Coupling-Pipe, 1.25 NPT	45	3321391	1	Elbow-Hyd
9	7420042	1	Indicator	46	2960203	1	Orifice Fitting
10	6601571	1	Filter-Return Line, 1.25 NPT	47	9410278	1	Elbow-Hyd, 90
	7420219	1	Element-Filter, 10 Micron	48	6601200	1	Elbow-Hyd, 90, 6MB - 8MJ
11	6600237	1	Switch-Thermo	49	9410281	1	Elbow-Hyd, 90, 8FJX-8MJ
12	3321386	1	Tank Asm-Hyd, 12" x 55"	50	6601045	2	Elbow-Hyd, 90, 16FL-16MJ
	3321905	1	Tank Asm-Hyd, 14" x 40"	51	0274253	2	"O" Ring Tube Fitting, 1.50
13	0219301	4	Plug-Pipe, SqHd, 0.75 NPT	52	9410233	1	Adapter-Hyd, ST, 16MB-16MB Long
14	6600224	1	Plug-Eyesite, Oil	53	9410285	1	Elbow-Hyd, 90, 16FJX-16MJ
15	3390605	1	Plate-Instruction, Oil Specifications	54	6600880	1	Cooler-Oil
16	6500039	1	Thermometer-2" Dial, 9" Dual	55	0128003	2	Bushing-Pipe, 1.00 x 0.75NPT
17	3330026	1	Cap-Filler, Hydraulic Tank	56	0141621	2	Elbow-Pipe, 90, ST, 0.75NPT
18	6000233	1	Gasket-2.18", Leather	57	6602652	1	Motor Control Valve, 2 Speed Motor
19	6600223	1	Breather-Hydraulic Tank	58	6600664	2	Hose End-8FJX, ST
20	6600647	1	Hose End-12 x 12MP, ST, LPSP	59	6600662	1	Hose-0.50
21	6600648	3	Hose End-12 x 12FJX	60	6602170	1	Elbow-Hyd, 45, 8MJ-8MP
22	9402828	1	Elbow-Hyd, 45, 12MJ-12MP				
23	6600663	1	Hose End-08 x 08MP, ST, LPSP				
24	3301156	2	Strap-12"				
	3331867	2	Strap-14"				
25	3301158	1	Hanger-LH, 12" Tank				
	3301307	1	Hanger-LH, 14" Tank				
26	3301157	1	Hanger-RH, 12" Tank				
	3301306	1	Hanger-RH, 14" Tank				
	3301309	1	Combination Hanger, LH, Center				
27	6600646	2	Hose-Self Grip, 0.75 (Specify Length)				
28	6303119	1	Round-0.50 CR				
29	3321323	1	Support-Pump, 90 Series				
30	0120378	2	Nut-Hex, 0.50 NC				
31	0120384	2	Washer-Lock, 0.50				
32	3370185	1	Pump Stroker Cable Asm				
33	6602755	1	Pump-4.57, LH, Ele., A Pad				
	6602754	1	Pump-4.57, RH, Ele., A Pad				
	7010097	1	A Pad Asm-Comp. (6602754 & 6602755)				
	6602753	1	Pump-4.57, LH, Ele., No Pad				
	6602752	1	Pump-4.57, RH, Ele., No Pad				
	7010092	1	Seal Kit (All Pumps)				
	7010096	1	Electronic Stroker (All Pumps)				
34	6602390	1	Pump-Aux, 0.68 CI, A Pad, Spline, LH				
	6602391	1	Pump-Aux, 0.68 CI, A Pad, Spline, RH				
	7420255	1	Seal Kit				AR = As Required
35	9410979	3	Elbow-Hyd, 90, 12MB-12MJ				
36	9410281	1	Elbow-Hyd, 90, 08FJX-08MJ				

TRAILER DISTRIBUTOR HYDRAULIC HOSES

Crank Drive, 40 Series LH Pump

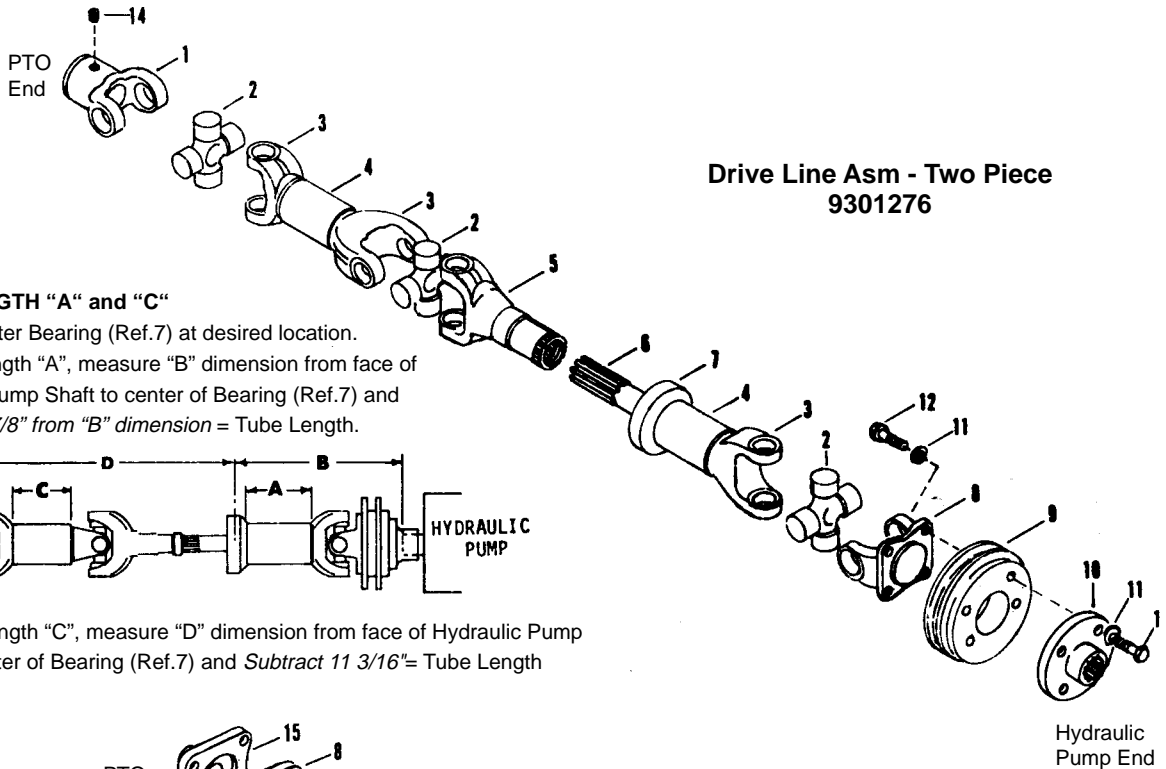
NOTE: Hydraulic Hoses
Ref. 1, 2, 3, 6, 7 and 8
Please Specify Hose Length.



REF	PART NO.	QTY	DESCRIPTION	REF	PART NO.	QTY	DESCRIPTION
1	9250610	1	Hose Asm-12 x —, 12FJX-16FJX (HP)	17	9410205	2	Adp-Hyd, ST, 12MB-12MJ
2	9250611	1	Hose Asm-12 x —, 12FJX-16FJX (LP)	18	6600648	4	Hose End, 12-12FJX
3	9250617	1	Hose Asm-12 x —, 12FJX-12FJX	19	6600646	AR	Hose-Self Grip
4	9250618	1	Hose Asm-12 x 36, 12MP-12FJX				
5	9250619	1	Hose Asm-12 x 24, 12MP-12FJX				
6	9250620	1	Hose Asm-12 x —, 12MP-12FJX				
7	9250621	1	Hose Asm-12 x —, 12MP-12FJX				
8	9250622	1	Hose Asm-12 x —, 12MP-08MB				
9	3390466	1	Stanchion Asm (S1876 & Below)				
	3380710	1	Stanchion Asm (S1877 & Above)				
10	9403257	4	Adp-Hyd, BHD. ST, 12MJ-12MJ				AR = As Required
11	6601709	2	Adp-Hyd, BHD, ST, 12MJ-12MP				
12	6602296	4	Female Quick Coupler, 12MP				
13	6602297	4	Male quick Coupler, 12MP				
14	6602294	2	Female Quick Coupler, 12MB				
15	6602295	2	Male Quick Coupler, 12MB				
16	6602096	2	Adp-Hyd, ST, 12MB-12FJX				

DRIVE LINE - PTO TO HYDRAULIC PUMP

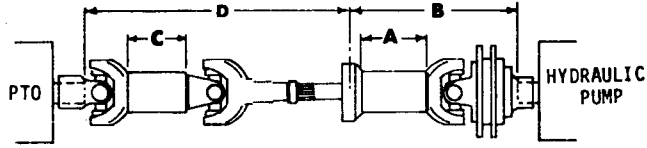
Units with 40 Series Hydraulic Pumps



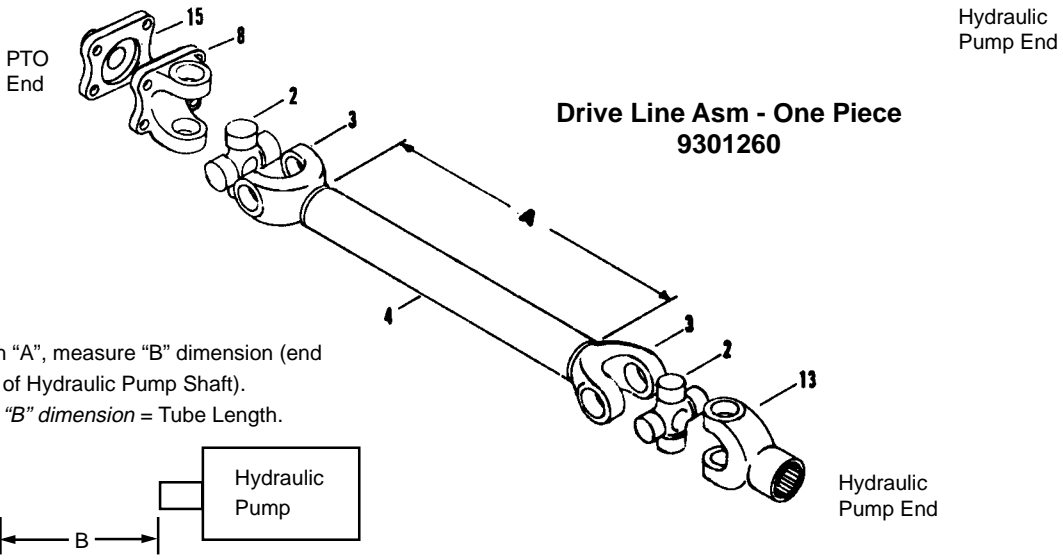
**Drive Line Asm - Two Piece
9301276**

TUBE LENGTH "A" and "C"

Locate Center Bearing (Ref.7) at desired location.
For tube length "A", measure "B" dimension from face of Hydraulic Pump Shaft to center of Bearing (Ref.7) and subtract 6 7/8" from "B" dimension = Tube Length.



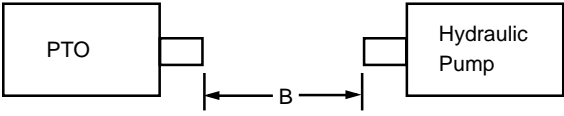
For Tube Length "C", measure "D" dimension from face of Hydraulic Pump Shaft to center of Bearing (Ref.7) and Subtract 11 3/16" = Tube Length



**Drive Line Asm - One Piece
9301260**

TUBE LENGTH

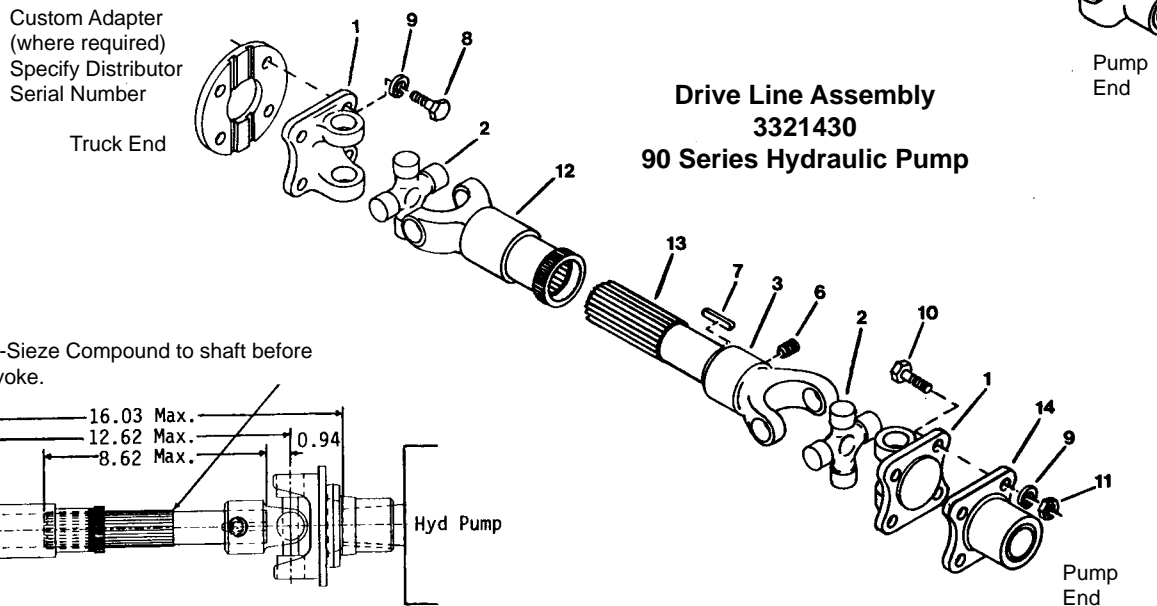
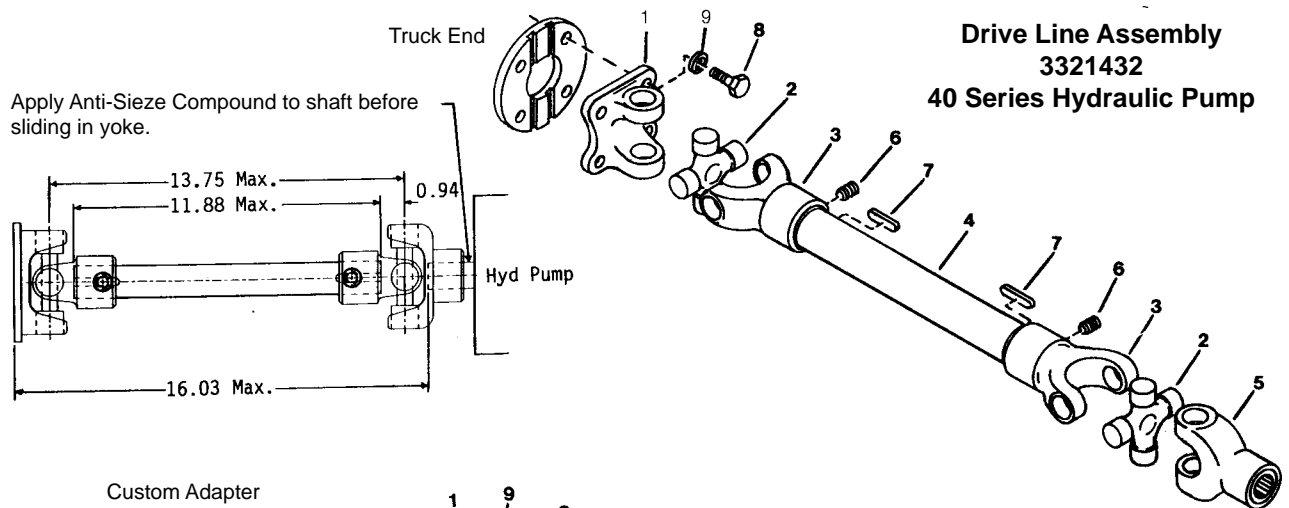
To obtain tube length "A", measure "B" dimension (end of PTO Shaft to end of Hydraulic Pump Shaft).
Subtract 6 3/8" from "B" dimension = Tube Length.



REF	PART NO.	QTY	DESCRIPTION	REF	PART NO.	QTY	DESCRIPTION
1	6440170	1	Yoke-End	10	6440206	1	Flange-Companion
2	3170013	AR	Journal & Bearing	11	0120382	8	Washer-Lock, 0.38
3	6440164	AR	Yoke-Stub	12	0186679	12	Screw-Hex, 0.38NC x 1.25, GR8,PD
4	6303278	AR	Tubing-2"OD x 14GA(Specify Length)	13	6440200	1	Fitting-Yoke
5	6440165	1	Yoke Asm	14	6100284	1	Screw-Sock, 0.50NC x 0.50 Lg.
6	6440166	1	Shaft-Stub	15	6440213	1	Flange-Companion Rect 1.25 Dia 240
7	6440167	1	Bearing				
8	3170021	2	Yoke-Flange				
9	3321014	1	Pulley				

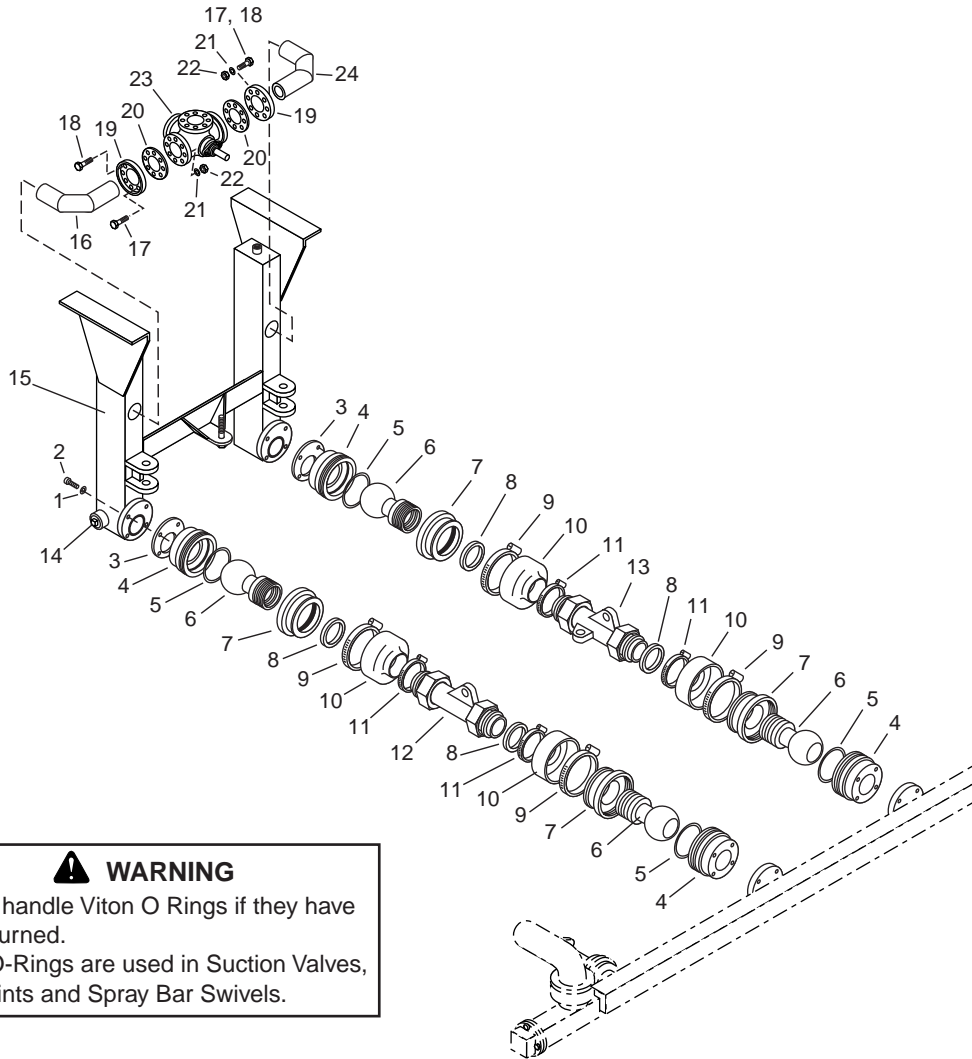
DRIVE LINE - PTO TO HYDRAULIC PUMP - GMC TRUCKS

40 Series and 90 Series Hydraulic Pumps



REF	PART NO.	QTY	DESCRIPTION	REF	PART NO.	QTY	DESCRIPTION
1	3170021	AR	Yoke-Flange	11	0120377	4	Nut-Hex, 0.38NC,PD
2	3170013	2	Journal & Bearing Kit	12	6440165	1	Yoke Asm, Splined
3	6440170	AR	End Yoke-1.25" Bore	13	3321429	1	Shaft (90 Series)
4	3321431	1	Shaft (40 Series)	14	6440162	1	Flange Companion, Tapered
5	6440200	1	End Yoke, Splined				
6	0102615	AR	Screw-Sock, 0.50NC x 0.50Lg, Cup Pt.				
7	6000161	AR	Key-0.31 x 0.31 x 1.50 Lg.				
8	0454904	4	Screw-Hex, 0.38NC x 0.75, GR8,PD				
9	0120382	AR	Washer-Lock, 0.38				
10	0186679	4	Screw-Hex, 0.38NC x 1.25, GR8,PD				
							AR = As Required

DROP TUBE & SPRAY BAR FEED LINES



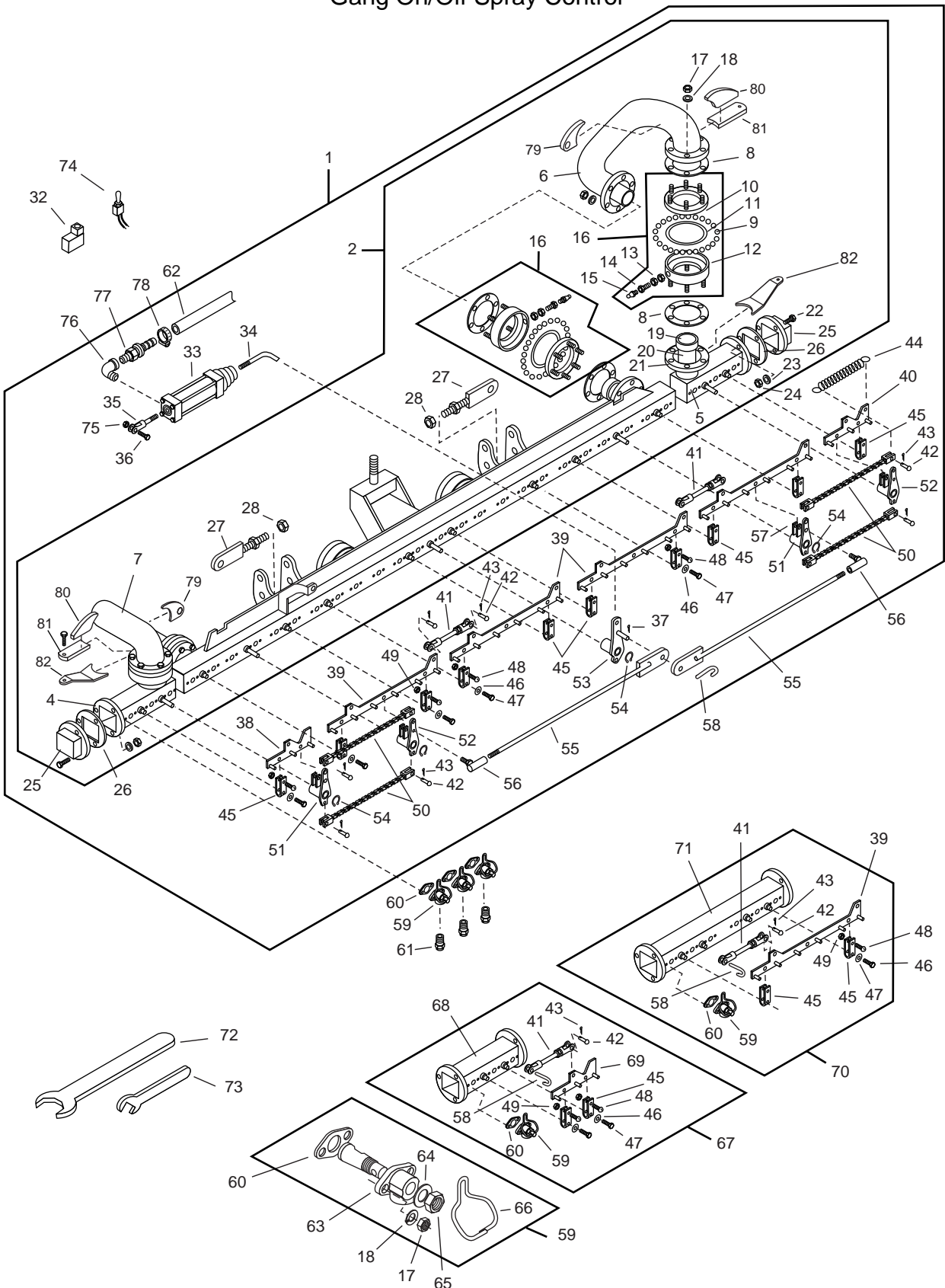
⚠ WARNING

Do not handle Viton O Rings if they have been burned.
 Viton O-Rings are used in Suction Valves, Ball Joints and Spray Bar Swivels.

REF	PART NO.	QTY	DESCRIPTION	REF	PART NO.	QTY	DESCRIPTION															
1	0120382	26	LockWasher, 0.38	<p>SPRAY BAR DROP TUBE SELECTION CHART</p> <p>Because of the difference in truck frame heights, different spraybar Drop Tube lengths are available. The correct length Drop Tube must be selected in order to provide the proper spraybar carry mechanism geometry and sufficient ground clearance. Select the correct drop tube according to the following chart:</p> <table style="margin: 10px auto; border-collapse: collapse;"> <thead> <tr> <th style="text-align: left;">Frame Height (empty tank)</th> <th style="text-align: left;">Part Number</th> <th style="text-align: left;">Drop Tube Length</th> </tr> </thead> <tbody> <tr> <td>Up to and including 42"</td> <td>3341667</td> <td>26.5"</td> </tr> <tr> <td>42 .25" - 44"</td> <td>3341659</td> <td>28.6"</td> </tr> <tr> <td>44.25" - 46"</td> <td>3341663</td> <td>30.6"</td> </tr> <tr> <td>46.25" +</td> <td>3341671</td> <td>32.6"</td> </tr> </tbody> </table>				Frame Height (empty tank)	Part Number	Drop Tube Length	Up to and including 42"	3341667	26.5"	42 .25" - 44"	3341659	28.6"	44.25" - 46"	3341663	30.6"	46.25" +	3341671	32.6"
Frame Height (empty tank)	Part Number	Drop Tube Length																				
Up to and including 42"	3341667	26.5"																				
42 .25" - 44"	3341659	28.6"																				
44.25" - 46"	3341663	30.6"																				
46.25" +	3341671	32.6"																				
2	0426370	8	Screw-Sock, 0.38NC x 1.00, PD																			
3	3352614	2	Ball Nut Gasket																			
4	3352610	4	Ball Case																			
5	6602670	4	O Ring																			
6	3361253	4	Ball																			
7	3352611	4	Ball Nut																			
8	6602235	4	Gasket, 2.75 x 3.13 x 3/32, Brass																			
9	6000872	4	Hose Clamp																			
10	3352859	4	Boot																			
11	6000088	4	Hose Clamp, 2.50-3.50																			
12	3352662	1	Feed Tube Asm-Left																			
13	3352663	1	Feed Tube Asm-Right																			
14	0219309	2	Plug-Pipe, SqHd, 2.00NPT, PN																			
15	3341675	AR	Drop Tube & Hanger Asm, 24.6"																			
	3341667	AR	Drop Tube & Hanger Asm, 26.5"																			
	3341659	AR	Drop Tube & Hanger Asm, 28.6"																			
	3341663	AR	Drop Tube & Hanger Asm, 30.6"																			
	3341671	AR	Drop Tube & Hanger Asm, 32.6"																			

SPRAY BAR ASSEMBLY

Gang On/Off Spray Control



SPRAY BAR ASSEMBLY
Gang On/Off Spray Control

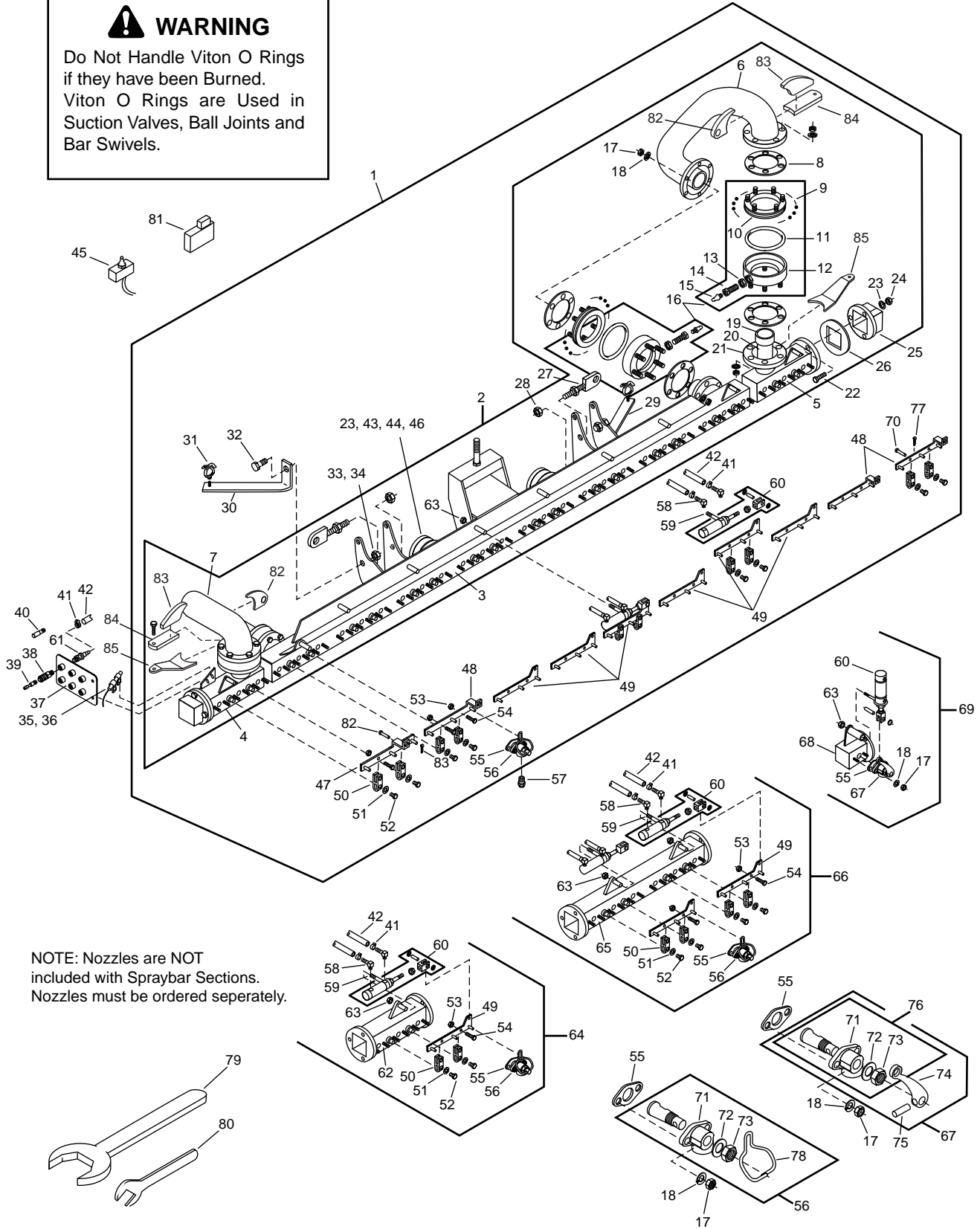
REF	PART NO.	QTY	DESCRIPTION	REF	PART NO.	QTY	DESCRIPTION
1	3352899	1	Spraybar Asm - 10'	52	3352811	2	Toggle Asm, LT
2	3352898	1	Weld Asm - 10'	53	3352844	1	Toggle Asm
3	3352725	1	Tube Asm - 8'	54	6000571	5	Retaining Ring
4	3352727	1	Stub Wing Asm - 1', LH	55	3352358	2	Rod Asm
5	3352726	1	Stub Wing Asm - 1', RH	56	6100126	2	Balljoint, 0.44 NC
6	3352721	1	Hinge Asm, RH	57	9413947	2	Lock Nut, 0.44 NC, EA, PD
7	3352722	1	Hinge Asm, LH	58	3350708	1	Pull Pin
8	3352615	8	Gasket	59	3352743	30	Flip Valve Asm
9	6000290	47*	Steel Balls	60	3350316	30	Gasket
10	3352605	1*	Plate Asm, Outlet	61	3351013	AR	Nozzle - 0.06
11	6602669	1*	O Ring, 5.5 OD x 0.25		3351014	AR	Nozzle - 0.19
12	3352607	1*	Plate Asm, Inlet		3351008	AR	Nozzle - 0.25
13	0272123	2*	JAM Nut, 0.44NF, PD		3351009	AR	Nozzle - 0.31
14	2740371	1*	Grease Fitting		3351015	AR	Nozzle - 0.09
15	9411027	1*	Grease Zerk		3352368	AR	Nozzle - 0.25 Bore
16	7230219	4	Swivel Asm		3351010	AR	Nozzle - 0.469
17	0120376	48	Nut, 0.31NC, PD		3352204	AR	Nozzle - V Type, 5.0 GPM
18	0120214	48	Lock Washer, 0.31, Spring, PD		3352205	AR	Nozzle - V Type, 3.5 GPM
19	3352245	1	Adapter - Inner Tube		3352210	AR	Nozzle - End Nozzle Asm
20	3352595	1	Tube, 7.38 Bevel	62	6600324	AR	Hose-0.38 Per Ft
21	3352810	1	Flange & Transition Asm	63	3351787	1	Body
22	0180124	6	Screw, 0.38NC x 1.25, GR2, PD	64	3351620	1	Washer
23	0120382	14	Lock Washer, 0.38, Spring, PD	65	6100246	1	JAM Lock Nut, 0.50NF
24	0120377	6	Nut, 0.38NC, PD	66	3352483	1	Flip Lever
25	3352624	2	End Cap Asm	67	7230224	1	Bar Extension - 1'
26	3352592	2	Gasket	68	3352728	1	Tube Asm - 1'
27	3352591	2	Rod End Asm	69	3352751	1	Control Bar Asm - 1'
28	0426899	4	Jam Nut, 1"	70	7230225	1	Bar Extension - 2'
29	3352610	2	Ball Case	71	3352741	1	Tube Asm-2'
30	3352614	2	Gasket	72	3380079	1	Union Wrench - 2"
31	0426370	8	Allen Head Bolt, 0.38NC x 1.00	73	6000376	1	#5 Armstrong Wrench
32	6601455	1	Air Valve, 2 Pos, 4 Way, 12 VDC	74	6701974	1	Toggle Switch, DPDT, DRY CI
	7420231	1	Gasket	75	9413947	1	Lock Nut, 0.44NC, EA, PD
	7215169	1	Repair Kit	76	0105423	2	Elbow-Pipe, 90, ST, 0.25NPT
33	3360795	1	Cylinder Asm	77	6600305	2	Hose End-06 x 04MP, ST, LPSP
	7420220	1	Repair Kit	78	6000087	2	Hose Clamp-0.56 to 1.06
34	3320411	1	Connecting Link	79	3352387	2	Lug Asm-Spraybar Wing Raise
35	6600296	1	Yoke	80	3352756	2	Gusset-Breakaway Arm, Spraybar
36	0180151	1	Screw-Hex, 0.44NC x 1.75, GR5, PD	81	3352685	2	Brkt-Relieving Device, Spraybar
37	0137185	1	Cotter Pin, 0.12 x 1.00, PD	82	3352260	2	Brace-Relieving Device, Spraybar
38	3352758	1	Control Bar Asm - 1' Section				
39	3352750	4	Control Bar Asm - Center				
40	3352799	1	Control Bar Asm - 1' Section				
41	3350567	2	Adjusting Link Asm				AR = As Required
42	6000397	16	Rivet-Rd Hd, 0.25 x 0.88, Drilled				* Quantity Per Each Swivel
43	0103374	16	Cotter Pin, 0.09 x 1.00, PD				
44	6001146	1	Extension Spring, 0.75 OD x 4.00				
45	3350324	10	Guide Lever Asm				
46	0120388	10	Flat Washer, 0.38				
47	0121852	10	Screw, 0.38NC x 0.50 GR2, PD				
48	0133046	10	Machine Screw, 0.25 x 0.88, PD				
49	9410346	10	Lock Nut, 0.25NC, EA, PD				
50	3352476	4	Chain Asm				
51	3352812	2	Toggle Asm, RT				

NOTE: Spray Nozzles are NOT included with spray bar sections. Nozzles must be ordered separately

SPRAY BAR ASSEMBLY

Spray Controlled in 1' increments - Frame Mounted Air Valves

WARNING
 Do Not Handle Viton O Rings if they have been Burned.
 Viton O Rings are Used in Suction Valves, Ball Joints and Bar Swivels.



SPRAY BAR ASSEMBLY

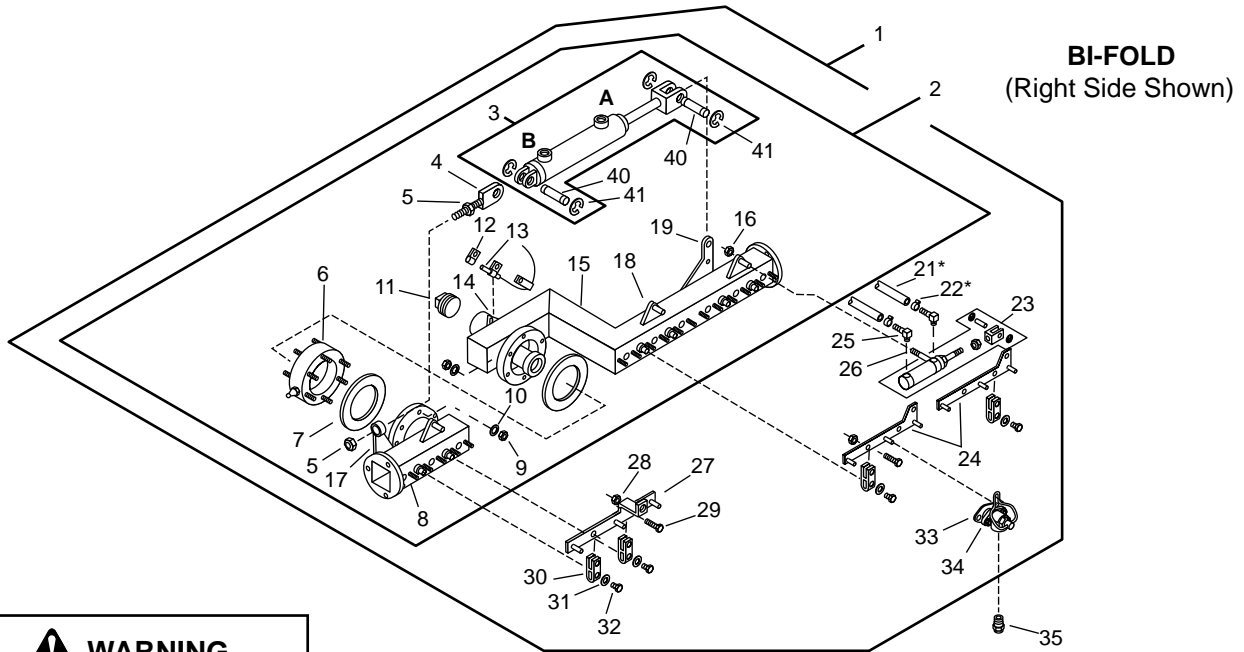
Spray Controlled in 1' increments - Frame Mounted Air Valves

REF	PART NO.	QTY	DESCRIPTION	REF	PART NO.	QTY	DESCRIPTION
1	7230377	1	Spraybar 10' Asm, 1' Incr.	56	3352743	30	Flip Valve Asm
2	3352897	1	Spraybar 10' Weldment	57	3351013	AR	Nozzle - 0.06
3	3352708	1	Center 8' Weldment		3351014	AR	Nozzle - 0.19
4	3352698	1	LH - 1' Stub Wing Asm		3351008	AR	Nozzle - 0.25
5	3352695	1	RH - 1' Stub Wing Asm		3351009	AR	Nozzle - 0.31
6	3352721	1	RH Hinge Asm		3351015	AR	Nozzle - 0.093
7	3352722	1	LH Hinge Asm		3352368	AR	Nozzle - 0.25 Bore
8	3352615	8	Gasket		3351010	AR	Nozzle - 0.469
9	6000290	47	0.38 Steel Balls		3352204	AR	Nozzle - - V Type, Nominal 5.0 GPM
10	3352605	1	Plate Asm Outlet, 3.5 Swivel		3352205	AR	Nozzle - - V Type, Nominal 3.5 GPM
11	6602669	1	O Ring, 5.5 OD x 0.25		3352210	1	End Nozzle Asm - 3352205
12	3352607	1	Plate Asm, Inlet, 3.5 Swivel	58	6602242	20	Hose End, 0.19 Hose x 0.12MPT,90
13	0272123	2	JAM Nut, 0.44NF, PD	59	6100280	10	Eye Bolt, 0.31 x 2.5, PN
14	2740371	1	Grease Fitting	60	6601768	10	Air Cylinder, 1.06 x 2.00
15	9411027	1	Grease Zerk		6602339	1	Rod Clevis
16	7230219	4	Swivel Asm	61	6602575	20	Hose End, 0.19 Hose x 0.12MPT, ST
17	0120376	48	Nut, 0.31NC, PD	62	3352693	1	Bar Asm - 1' Extension
18	0120214	48	Lock Washer, 0.31, Spring, PD	63	9411638	10	Locknut, 0.31NC, EA, PD
19	3352245	1	Adapter - Inner Tube	64	7230378	AR	Spraybar Ext. 1', W/Air Vlvs 6601455
20	3352595	1	Tube, 7.38 Bevel		7230231	AR	Spraybar Ext. 1', W/O Vlvs
21	3352810	1	Flange & Transition Asm	65	3352697	1	Bar Asm - 2' Extension
22	0180124	6	Screw, 0.38NC x 1.50, GR2, PD	66	7230379	AR	Spraybar Ext. 2', W/Air Vlvs 6601455
23	0120382	14	Lock Washer, 0.38, Spring, PD		7230230	AR	Spraybar Ext. 2', W/O Vlvs
24	0120377	6	Nut, 0.38NC PD	67	3352731	1	Valve & Lever Asm - RH
25	3352624	2	End Cap Asm		3352740	1	Valve & Lever Asm - LH
26	3352592	2	Gasket	68	3352732	1	Tube Asm - RH
27	3352591	2	Rod End Asm		3352735	1	Tube Asm -LH
28	0426899	4	JAM NUT, 1"	69	3352733	1	Marker Asm - RH
29	3352854	1	Hose Hook Bracket, RH		3352734	1	Marker Asm - LH
30	3352855	1	Hose Hook Bracket, LH	70	6000397	2	Rivet-RdHd, 0.25 x 0.88, Drilled
31	3380577	2	Hose Ring Asm	71	3351787	1	Body
32	0122433	2	Screw, 0.50NC x 1.50, GR2, PD	72	3351620	1	Washer
33	0120378	2	Nut, 0.50NC, PD	73	6100246	1	JAM Lock Nut, 0.50NF
34	0120384	2	Lock Washer, 0.50, Spring, PD	74	3350455	1	Lever
35	3370280	2	Kit-Mercury Switch	75	0443139	1	Grooved Pin, 0.16 x 0.75, E, PD
36	6000057	4	Clamp, 0.50, Rubber Tube	76	3352730	1	Valve Asm - RH
37	3361234	2	Bracket Asm (6)		3352736	1	Valve Asm - LH
	3361226	2	Bracket Asm (12)	77	0103374	2	Cotter Pin, 0.09 x 1.00, PD
38	6602243	AR	Quick Coupler, Mini, 0.12MPT	78	3352483	1	Flip Lever
39	6602244	AR	Nipple, 0.19	79	3380079	1	Union Wrench - 2"
40	3353302	AR	Dummy Plug	80	6000376	1	#5 Armstrong Wrench
41	6001005	20	Hose Clamp, Screw Type, M5	81	6601455	AR	Air Valve, 2 Pos, 4 Way, 12 VDC
42	6309255	AR	Hose, 0.19 ID/Ft.		7420231	AR	Gasket
43	3352610	2	Ball Case		7215169	AR	Repair Kit
44	3352614	2	Gasket	82	3352387	2	Lug Asm-Spraybar Wing Raise
45	6701974	1	Toggle Switch, DPDT, DRY CI	83	3352756	2	Gusset-Breakaway Arm, Spraybar
46	0426370	8	Allen Head Bolt, 0.38NC x 1.00	84	3352685	2	Brkt-Relieving Device, Spraybar
47	3352753	1	Buss Bar Asm, Left End	85	3352260	2	Brace-Relieving Device, Spraybar
48	3352581	3	Buss Bar Asm, RT Hinge Section				
49	3352754	6	Buss Bar Asm				
50	3350324	20	Guide Lever Asm				
51	0120388	20	Flat Washer, 0.38				
52	0121852	20	Screw, 0.38NC x 0.50, GR2, PD				
53	9413946	18	Lock Nut, 0.25NC ,EA, PD				
54	0133046	18	Machine Screw, 0.25 x 0.88, PD				
55	3350316	30	Gasket				

NOTE: Nozzles are NOT included with Spraybar Sections. Nozzles must be ordered seperately.

AR - AS REQUIRED

MULTIPLE FOLDING WINGS - SPRAY BAR



WARNING

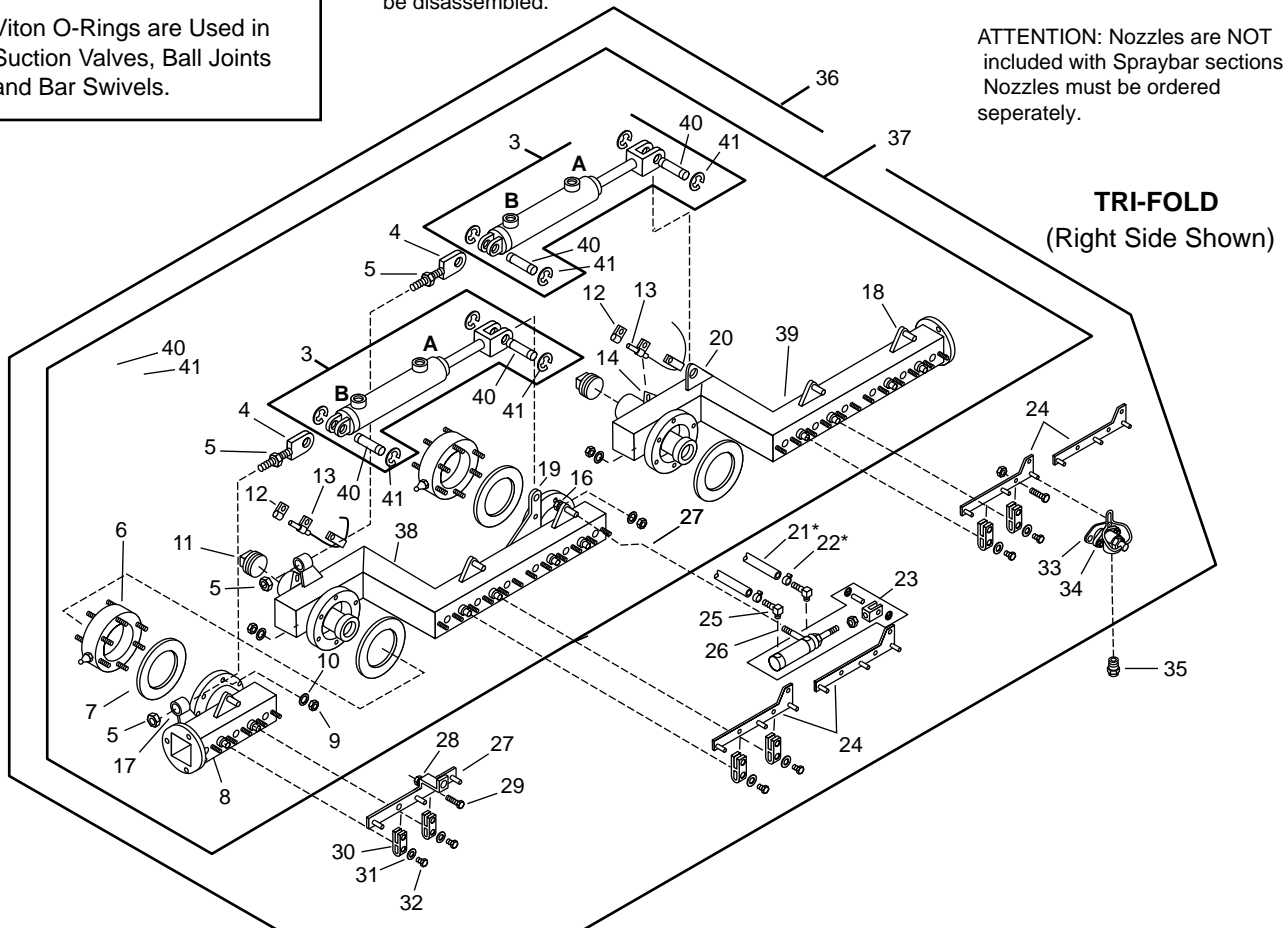
Do Not Handle Viton O-Rings if they have been Burned!

Viton O-Rings are Used in Suction Valves, Ball Joints and Bar Swivels.

NOTE: Assembly/Disassembly of Swivel Joints (Ref.# 6). There are 47 steel balls in each swivel joint. All balls must be removed before joint can be disassembled.

Please Note: Ref. #s 21 & 22 are NOT included in Ref. #s 1 or 36 assemblies.

ATTENTION: Nozzles are NOT included with Spraybar sections. Nozzles must be ordered separately.



TRI-FOLD (Right Side Shown)

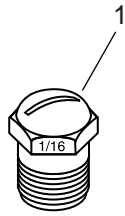
MULTIPLE FOLDING WINGS - SPRAY BAR

REF	PART NO.	QTY	DESCRIPTION	REF	PART NO.	QTY	DESCRIPTION
1	7230389	1	Bi-Fold Complete, RH	36	7230397	1	Tri-Fold Complete, RH
	7230390	1	Bi-Fold Complete, LH		7230398	1	Tri-Fold Complete, LH
2	7230387	1	Bi-Fold Bare, RH	37	7230395	1	Tri-Fold, Bare Complete, RH
	7230388	1	Bi-Fold Bare, LH		7230396	1	Tri-Fold, Bare Complete, LH
3	6602011	AR	Hyd Cylinder-1.50 x 8.00	38	7230391	1	Inner Wing, Bare - 2', RH
	7420232	1	Seal Kit		7230392	1	Inner Wing, Bare - 2', LH
	7420276	1	Repair Kit	39	7230393	1	Outer Wing, Bare - 2', RH
	7420278	1	Pin		7230394	1	Outer Wing, Bare - 2', LH
	7420279	2	Snap Ring	40	7420278	2	Pin
4	3352627	AR	Cylinder Mounting Asm	41	7420279	2	Snap Ring
5	0426897	AR	JAM Nut-0.75NC				
6	7230219	AR	Swivel Asm				
7	3352615	AR	Gasket				
8	7230384	1	Stub Wing Bare-1', LH				
	7230384	1	Stub Wing Bare-1', RH				
9	0120376	AR	Nut-0.31NC				
10	0120214	AR	Lock Washer-0.31				
11	0219309	AR	Pipe Plug, SqHd, 2.00NPT				
12	6000057	AR	Clamp-0.50, Rubber Tube				
13	3370165	AR	Mercury Switch Asm				
14	3361085	1	Mercury Switch Bracket				
15	7230385	1	Outer Wing Bare-2', LH				
	7230386	1	Outer Wing Bare-2', RH				
16	9411638	AR	Lock Nut-0.31NC				
17	3352622	AR	Mounting Asm				
18	3352755	AR	Lug Asm				
19	3352399	AR	Cylinder Mount				
20	3352637	AR	Gusset				
21*	6609255	AR	Hose-0.19 ID/Ft.				
22*	6001005	AR	Hose Clamp, Screw Type, M5				
23	6601768	AR	Air Cylinder, 1.06 x 2.00				
	6602339	1	Clevid Rod				
24	3352754	AR	Buss Bar Asm				
25	6602242	AR	Hose End-0.19 Hose x 0.12MPT, 90				
26	6100280	AR	Eye Bolt-0.31 x 2.50				
27	3352753	1	Buss Bar Asm (Used on Rt. Side Only)				
	3352581	1	Buss Bar Asm (Used on Lt. Side Only)				
28	9413946	AR	Lock Nut-0.25NC				
29	0133046	AR	Machine Screw, 0.25 x 0.88				
30	3350324	AR	Guide Lever Asm				
31	0120388	AR	Flat Washer-0.38				
32	0121852	AR	Screw-0.38NC x 0.50				
33	3350316	AR	Gasket				
34	3352743	AR	Flip Valve Asm				
35	3351013	AR	Nozzle - 0.06				
	3351014	AR	Nozzle - 0.19				
	3351005	AR	Nozzle - 0.25				
	3351009	AR	Nozzle - 0.31				
	3351015	AR	Nozzle - 0.093				
	3352368	AR	Nozzle - 0.25 Bore				
	3351010	AR	Nozzle - 0.469				
	3352204	AR	Nozzle - V Type, Nominal 5.0 GPM				
	3352205	AR	Nozzle - V Type, Nominal 3.5 GPM				
	3352210	AR	Nozzle - End Nozzle Asm - 3352205				

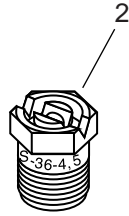
*Please Note: Ref. 21 & 22 are NOT included in assemblies Ref. 1 or 36 .

AR - AS REQUIRED

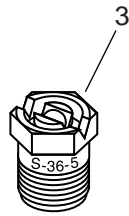
SPRAY BAR NOZZLE CHART



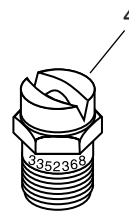
3351013



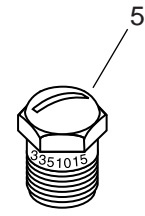
3351008



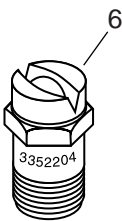
3351009



3352368



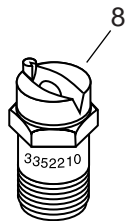
3351015



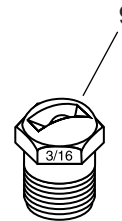
3352204



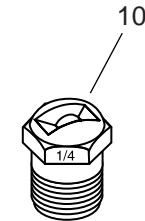
3352205



3352210



3351014



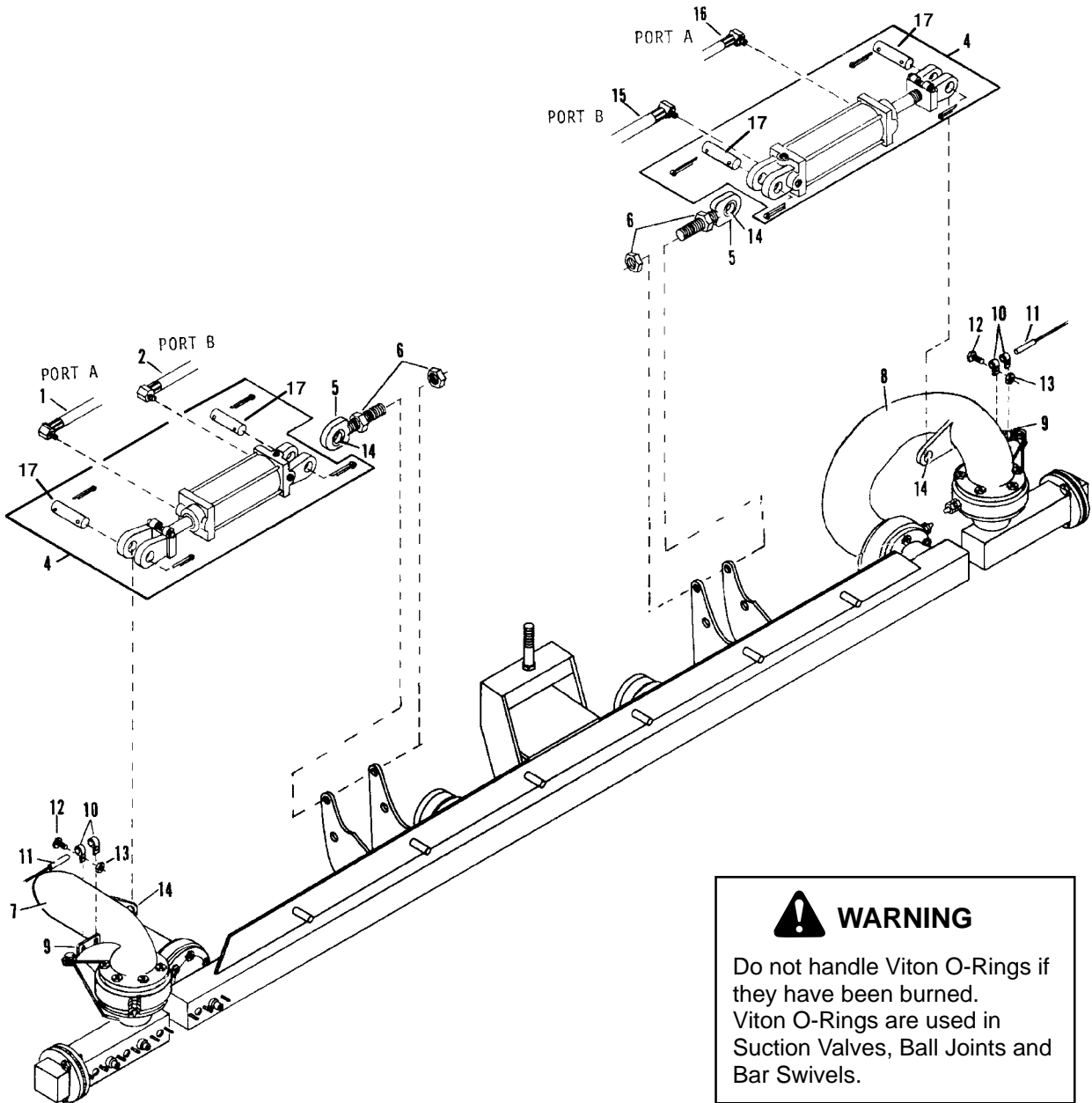
3351010

Ref.	Part No.	Description	Application Per Square Yard	Application (Metric) Liters Per Square Meter	Flow Gallons Per Minute Per Foot
1	3351013**	Nozzle - 1/16" Coin Slot	.05 - .20	.19 - .75	3.0 to 4.5
2	3351008	Nozzle - S36-4 V Slot	.10 - .35	.38 - 1.30	4.0 to 7.5
3	3351009	Nozzle - S36-5 V Slot	.18 - .45		7.0 to 10.0
4	3352368	Nozzle - Multi-Material V Slot	.15 - .40	.57 - 1.50	6.0 to 9.0
5	3351015	Nozzle - 3/32" Coin Slot	.15 - .40	.57 - 1.50	6.0 to 9.0
6	3352204*	Nozzle - Multi-Material V Slot	.35 - .95	1.30 - 3.60	12.0 to 21.0
7	3352205*	Nozzle - Multi-Material V Slot	.20 - .55	.75 - 2.08	7.5 to 12.0
8	3352210	Nozzle - End Nozzle (3352205)	.20 - .55	.75 - 2.08	7.5 to 12.0
9	3351014	Nozzle - 3/16" Coin Slot	.35 - .95	1.30 - 3.60	12.0 to 21.0
10	3351010	Nozzle - 1/4" Coin Slot	.40 - 1.10	1.50 - 4.16	15.0 to 24.0

* Recommended nozzles for seal and chip with emulsified asphalts.

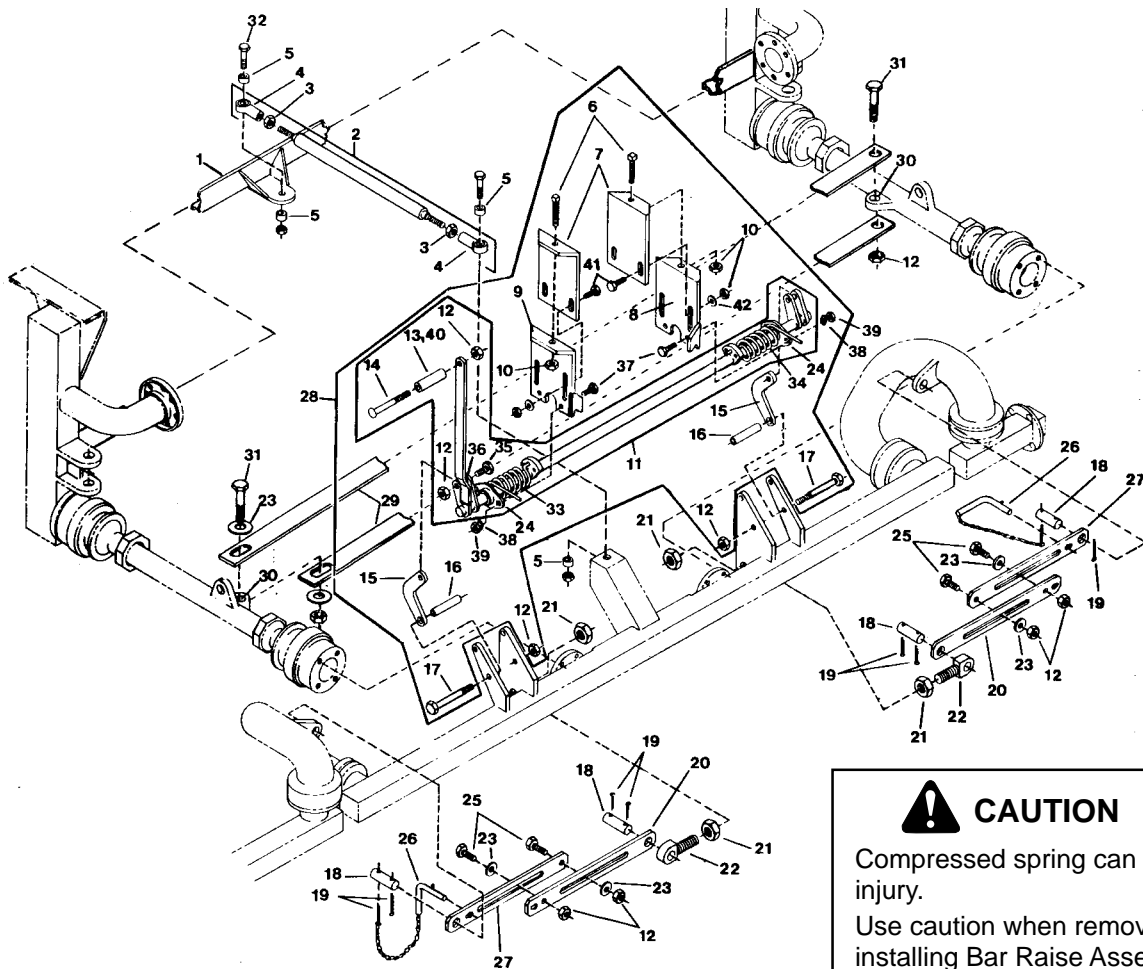
** For application prior to laying a hot mat.

SPRAY BAR WING UP - HYDRAULIC



REF	PART NO.	QTY	DESCRIPTION	REF	PART NO.	QTY	DESCRIPTION
1	3361094	1	Hose Asm-04x204, 6MPX90-4FJX90	10	6000057	4	Clamp, 0.50, Rubber Tube
2	3361092	1	Hose Asm-04x220, 6MPX90-4FJX90M	11	3370280	2	Switch Asm-Mercury
4	6602230	2	Cylinder-Hyd, 2.0 x 10.0	12	0121887	4	Screw-Hex, 0.25NC x 0.75 GR2,PD
	7420230	1	Kit-Repair. Cyl 2"	13	0120375	4	Nut-Hex, 0.25NC,PD
5	3352591	2	Rod End Asm-Cyl Mount	14	6420194	4	Bushing-DU. 1 x 1.2 x 1 Lg.
6	0426899	4	Nut-Hex, 1" JAM	15	3361093	1	Hose Asm-04x210, 6MPX90-4FJX90M
7	3352722	1	LH Hinge Asm	16	3361095	1	Hose Asm-04x196, 6MPX90-04FJX90
8	3352721	1	RH Hinge Asm	17	3311654	4	Pin
9	3361258	2	Mercury Switch Bracket				

SPRAY BAR RAISE AND WING UP - MECHANICAL



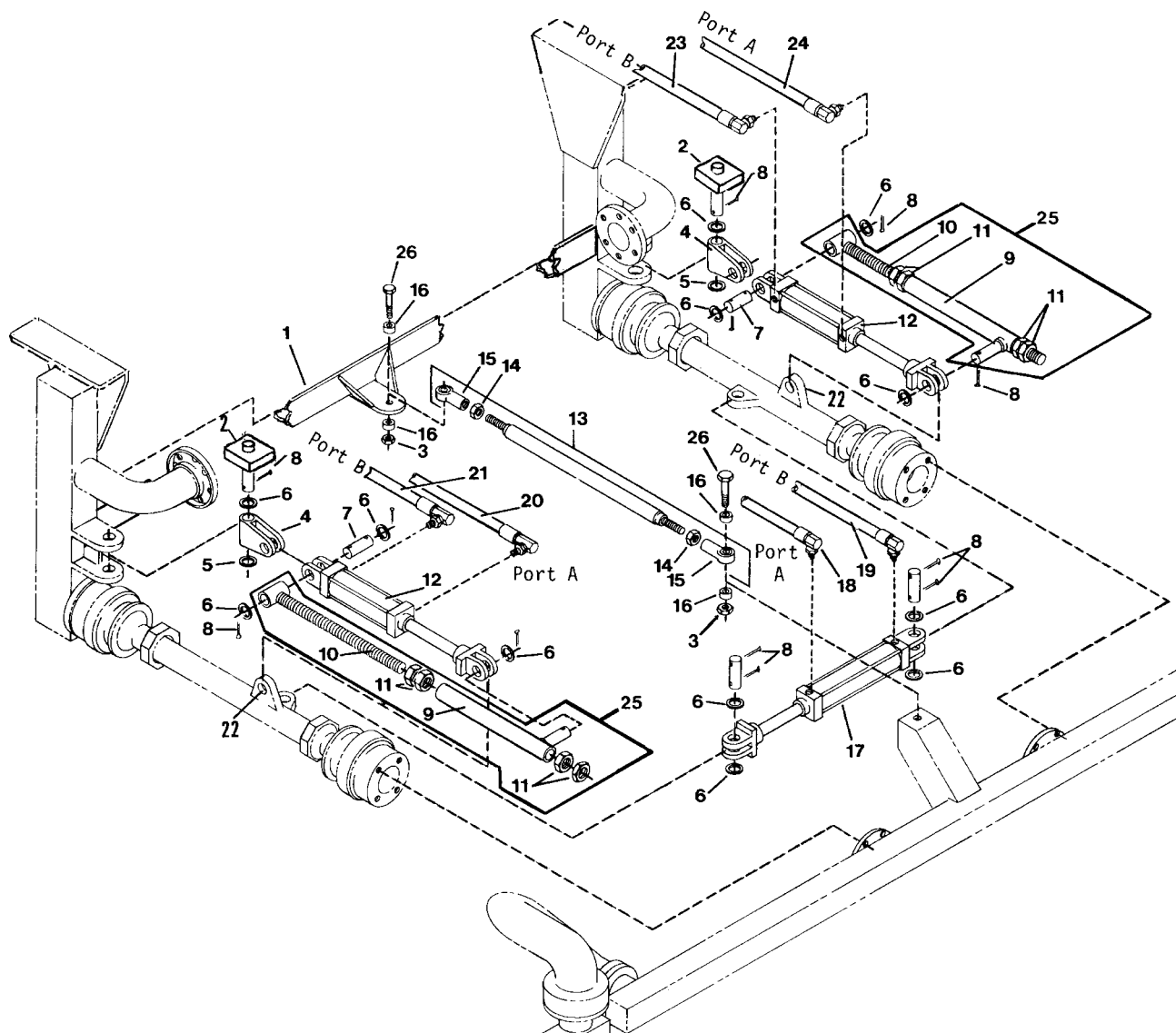
CAUTION

Compressed spring can cause injury.

Use caution when removing or installing Bar Raise Assembly.

REF	PART NO.	QTY	DESCRIPTION	REF	PART NO.	QTY	DESCRIPTION
1	3352672	1	Angle	23	0120390	6	Flat Washer, 0.50
2	3352668	1	Rod Asm	24	6420106	2	Bearing Flange, 2 Bolt, 1"
3	0121358	2	Nut, 0.62NF	25	0122394	4	Screw, 0.50NC x 0.75
4	6100325	2	Rod End-Female, 0.62NF	26	3350785	2	Pin Asm
5	3341411	4	Spacer	27	3361128	2	Wing Up, Short Bar
6	3352778	2	Screw, 0.50NC x 8.00	28	3352773	1	Mechanical Bar Raise Asm
7	3352774	2	Mounting Plate	29	3352791	2	Stabilizer Bar
8	3352775	1	Mounting Plate, Lower Right	30	3352792	2	Bushing
9	3352776	1	Mounting Plate, Lower Left	31	0122466	2	Screw, 0.50NC x 2.25, GR2
10	0120378	6	Nut, 0.50NC	32	6001087	1	Screw, 0.62NC x 3.00, GR8
11	7600003	1	Shaft Asm	33	3352766	1	Coil Spring - LT
12	9411727	11	Lock Nut, 0.50NC	34	3352765	1	Coil Spring - RT
13	3350919	1	Hub	35	0180183	2	Screw, 0.50NC x 2.25, GR5
14	3350917	1	Carriage Bolt, 0.50NC x 5.00	36	3352826	2	Spacer
15	3352769	2	Link	37	0122017	4	Screw, 0.31NC x 1.00, GR2
16	3352762	2	Bar Latch Tube	38	0120214	4	Lock Washer, 0.31
17	9414283	2	Screw, 0.50NC x 5.50, GR8	39	0120376	4	Nut, 0.31NC
18	3311593	4	Lift Pin	40	3350918	1	Bushing
19	0137204	8	Cotter Pin, 0.12 x 1.50	41	0180177	4	Screw, 0.50NC x 1.50, GR5
20	3361127	2	Wing Up, Long Bar	42	0120384	4	Lock Washer, 0.50
21	0426899	4	Nut, 1" JAM				
22	3352591	2	Rod End Asm				

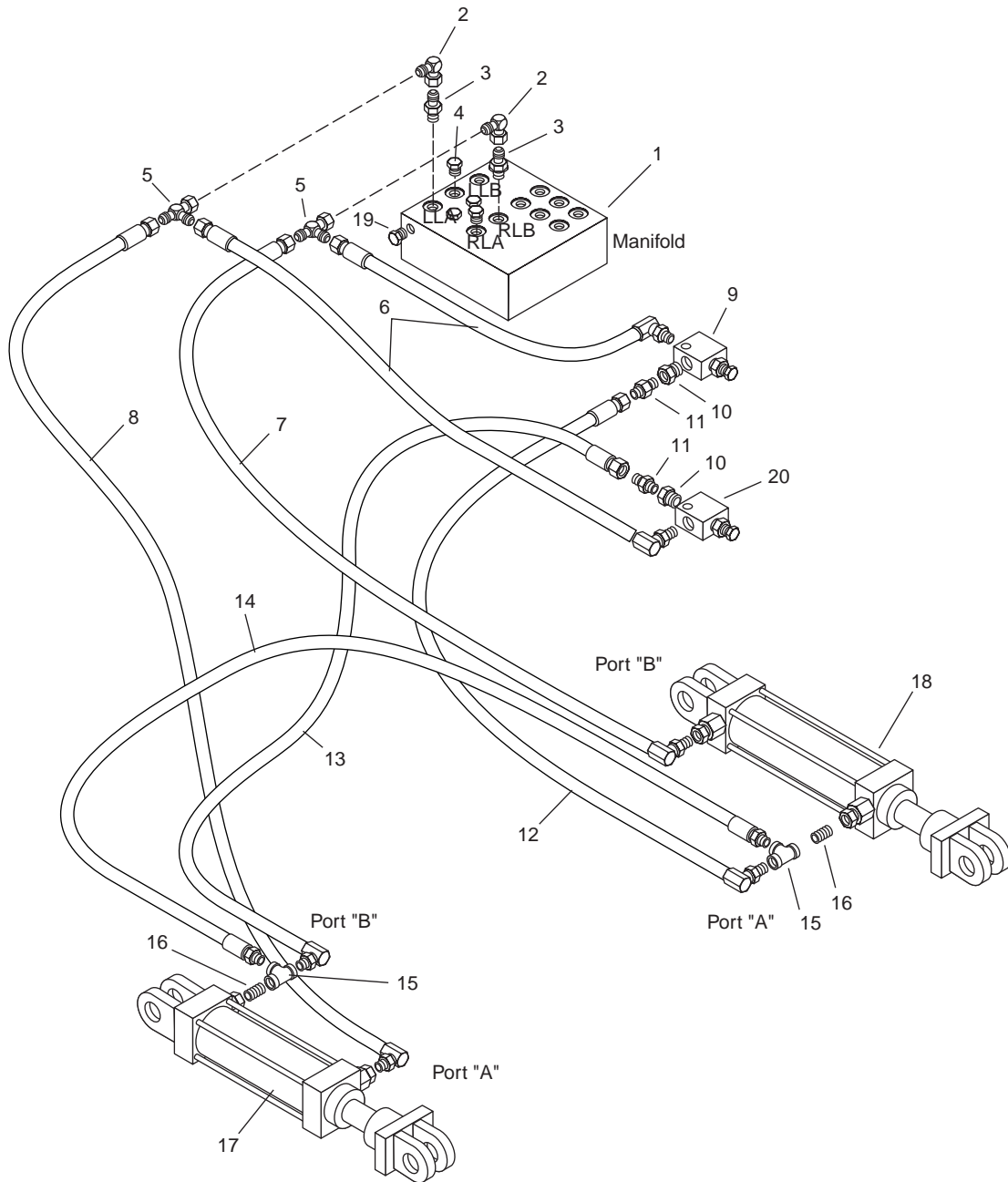
SPRAY BAR RAISE AND SHIFT - HYDRAULIC



REF	PART NO.	QTY	DESCRIPTION	REF	PART NO.	QTY	DESCRIPTION
1	3352672	1	Angle Asm	16	3341411	4	Spacer
2	3352795	2	Pin Asm	17	6602231	1	Hyd Cylinder, 2.00 x 6.63
3	9413948	2	Lock Nut-0.62NC	7420230	1	Repair Kit	
4	3352660	2	Lug Asm	6001007	1	Hair Pin	
5	6100015	2	Brass Washer, 0.19, 1.50 x 0.89	7230331	1	Clevis Pin	
6	3311425	12	Washer,-1.00, 1.50 OD	18	3361099	1	Hose Asm-04x161,6MPX90-4FJX90M
7	3311654	2	Pin	19	3361098	1	Hose Asm-04x130,6MPX90-4FJX90M
8	0103409	12	Cotter Pin, 0.19 x 1.50	20	3361097	1	Hose Asm-04x137, 06MPX90-4FJX
9	3311656	2	Lug Asm	21	3361096	1	Hose Asm-04x126, 06MPX90-4FJX
10	3311655	2	Screw Asm	22	6420194	2	Bushing-DU, 1.00 x 1.12 x 1.00 Lg.
11	0220088	8	Nut-1.00NC	23	3361671	1	Hose Asm-04x126, 06MPX90-04FJX
12	6601774	2	Hyd Cylinder, 2.00 x 5.00	24	3361672	1	Hose Asm-04x137, 06MPX90-04FJX
	7420230	1	Repair Kit	25	3311651	2	Lug & Screw Asm
	6001007	1	Hair Pin	7215275	1	Kit-Rep., Height Adj. Screw (1 Per)	
	7230331	1	Clevis Pin	26	6001087	1	Screw-0.62NC x 3.00 Lg., GR8
13	3352668	2	Rod Asm				
14	0121358	2	Nut-0.62NF				
15	6100325	2	Rod End-Female, 0.62NF				

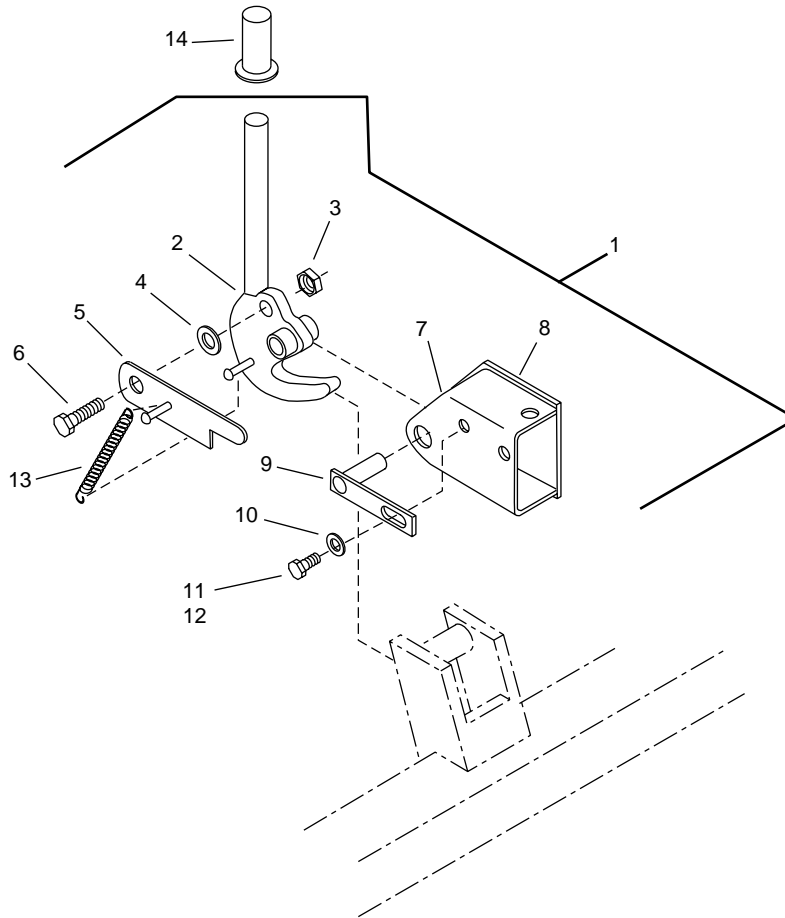
Specify Unit Serial No., Part No., & Part Description

HEAVY DUTY BAR RAISE



REF	PART NO.	QTY	DESCRIPTION	REF	PART NO.	QTY	DESCRIPTION
1	6602356	1	Manifold	12	3361672	1	Hose Asm-04x137, 06MPX90-04FJX
2	9410278	2	Elbow-Hyd,90, 04FJX-04MJ	13	3361672	1	Hose Asm-04x126, 06MPX90-04FJX
3	9410200	2	Adapter-Hyd, ST, 04MB-04MJ	14	3180654	1	Hose Asm-04x27.5, 04MPX90-04MPX
4	9410356	2	Plug-Hyd, 04MB	15	0218237	2	Tee-Pipe, 0.38 x 0.25NPT
5	9410304	2	Tee-Hyd, 04MJ-04MJ-04FJX	16	0111305	2	Nipple-Pipe, 0.38 x 1.12 Lg
6	2960210	2	Hose Asm-04x19.5, 06MPX90-04FJX	17	6602657	1	Cylinder-Hyd, 3.00 Bore x 5.00 Stroke
7	3361671	1	Hose Asm-04x126, 06MPX90-04FJX	18	6602656	1	Cylinder-Hyd, 3.50 Bore x 5.00 Stroke
8	3361097	1	Hose Asm-04x137, 06MPX90-04FJX	19	4470943	1	Plug-Hyd, 10MB
9	3390707	1	Valve-Relief, Direct Acting, 700 PSI	20	3390706	1	Valve-Relief, Direct Acting, 400 PSI
10	0144036	2	Bushing-Pipe, 0.38 x 0.25NPT				
11	6601381	2	Adapter-Hyd, ST, 04MP-04MJ				

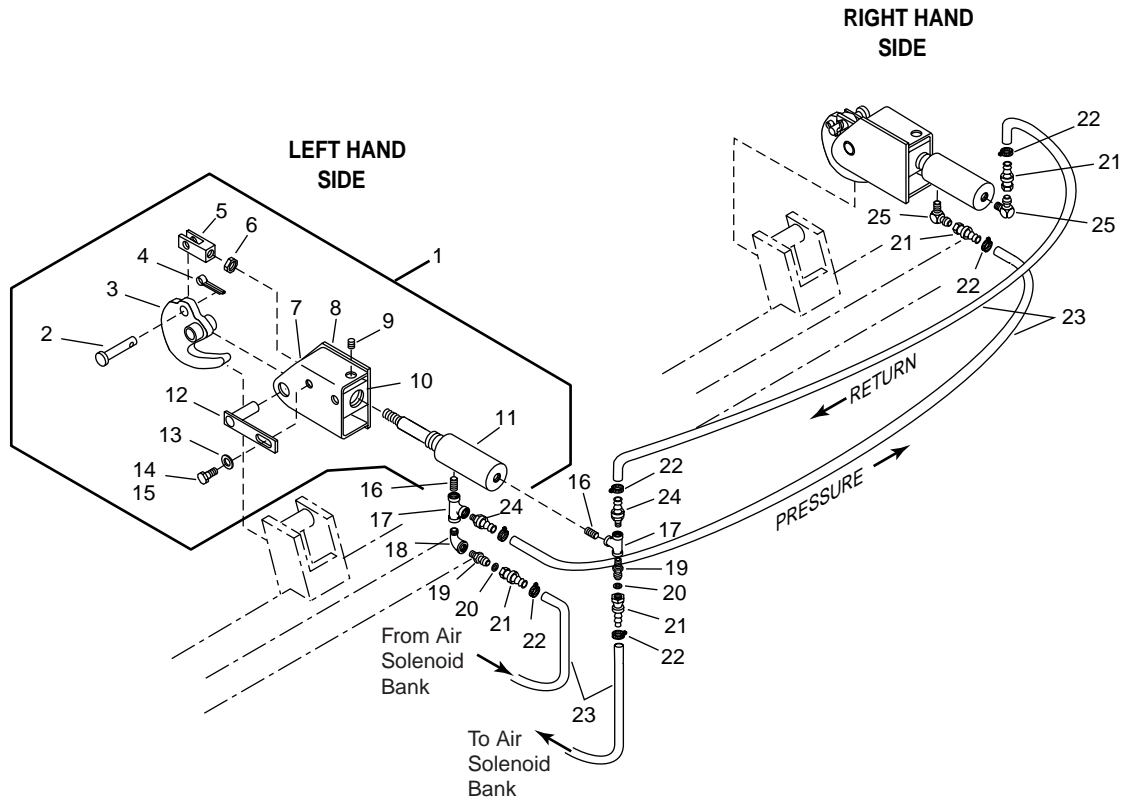
BAR LATCH - MECHANICAL



REF	PART NO.	QTY	DESCRIPTION	REF	PART NO.	QTY	DESCRIPTION
1	3380718	1	Latch Asm - LH	13	6000802	1	Spring
	3380719	1	Latch Asm - RH	14	4420933	1	Handgrip (Optional)
2	3380716	1	Latch Cam Asm - LH				
	3380717	1	Latch Cam Asm - RH				
3	9411727	1	Lock Nut, 0.50NC				
4	9411417	1	Flat Washer, 0.50				
5	3380714	1	Lock Bar Asm - LH				
	3380715	1	Lock Bar Asm - RH				
6	0120333	1	Screw, 0.50 x 1.75 Lg.				
7	3380622	1	Channel - LH				
	3380623	1	Channel - RH				
8	3380624	1	Plate				
9	7230320	1	Lever Asm				
10	0120386	1	Flat Washer, 0.25				
11	0121887	1	Screw, 0.25 x 0.75				
12	9413946	1	Lock Nut, 0.25NC				

Specify Unit Serial No., Part No., & Part Description

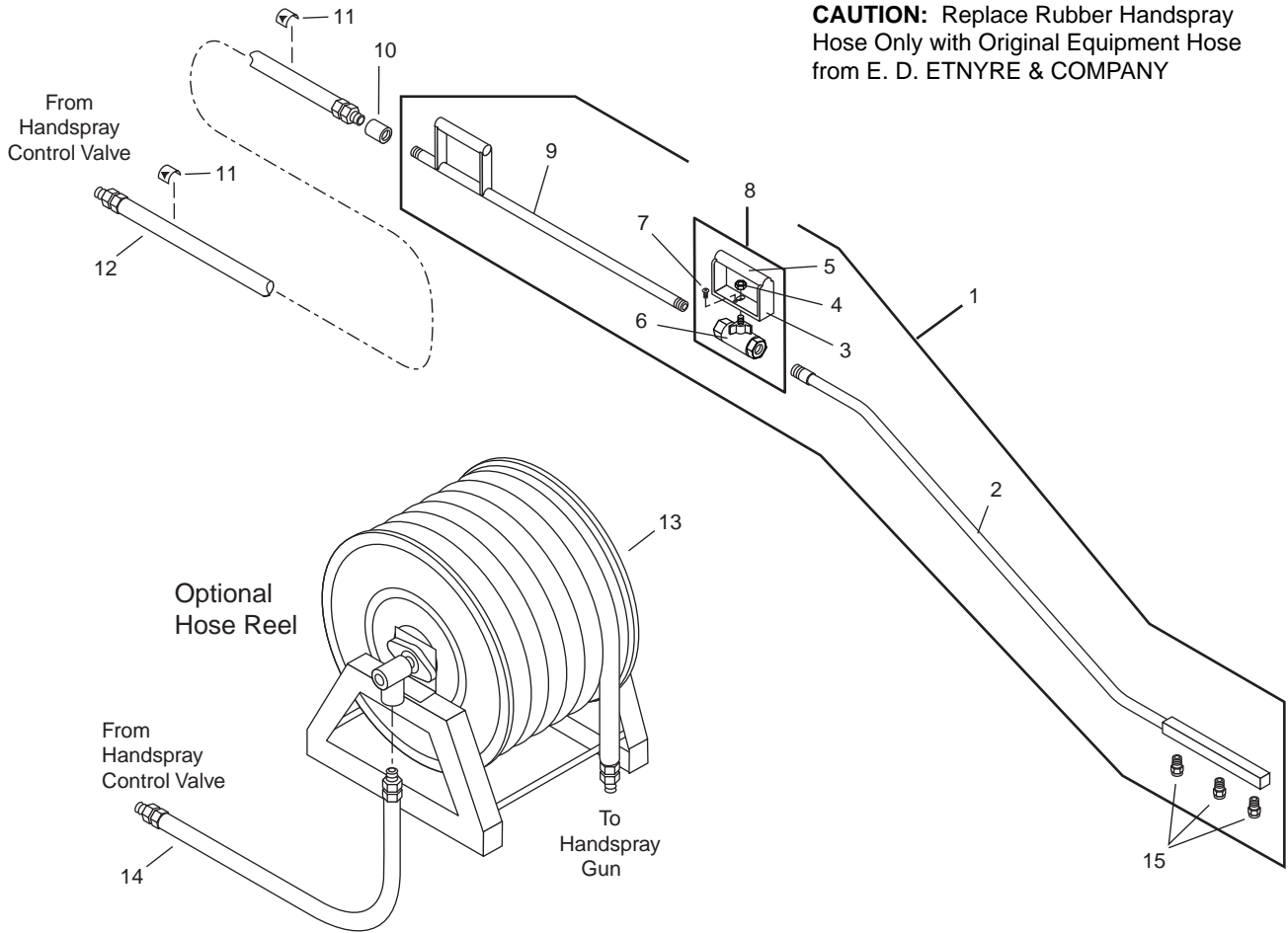
BAR LATCH - AIR OPERATED



REF	PART NO.	QTY	DESCRIPTION	REF	PART NO.	QTY	DESCRIPTION
1	3380636	1	Air Latch Asm - LH	18	0105423	1	Pipe Elbow-90, ST, 0.25NPT
	3380637	1	Air Latch Asm - RH	19	0118750	2	Auto Adapter, ST, 04MP-06MS
2	6000403	1	Rivet-RdHd, 0.50 x 2.00, Drilled	20	3361158	2	Restrictor Orifice Disk, 0.076
3	3380689	1	Latch Cam Asm	21	6600306	4	Hose End-06 x 06FSX, ST, LPSP
4	0137185	1	Cotter Pin, 0.19 x 1.00	22	6001005	6	Hose Clamp, Screw Type, M5
5	3360805	1	Clevis, 0.50NF W/0.50 Hole, 0.75 W	23	6600324	AR	Push On Hose, 0.38
6	0120371	1	Nut, 0.50NF	24	6600305	2	Hose End-06 x 04MP, ST, LPSP
7	3380622	1	Channel - LH	25	0118755	2	Auto Elbow, 90, 04MP-06MS
	3380623	1	Channel - RH				
8	3380624	1	Plate				
9	0120689	1	Screw Sock, 0.25NC x 0.50, CUP				
10	3380625	1	Block				
11	6602052	1	Air Cylinder, 2.00 x 4.00				
12	7230320	1	Lever Asm				
13	0120386	1	Flat Washer, 0.25				
14	0121887	1	Screw-0.25NC x 0.75				
15	9413946	1	Lock Nut, 0.25NC				
16	0105405	2	Pipe Nipple-0.25 x 0.87, CL				
17	0105417	2	Pipe Tee-0.25NPT				
							AR = As Required

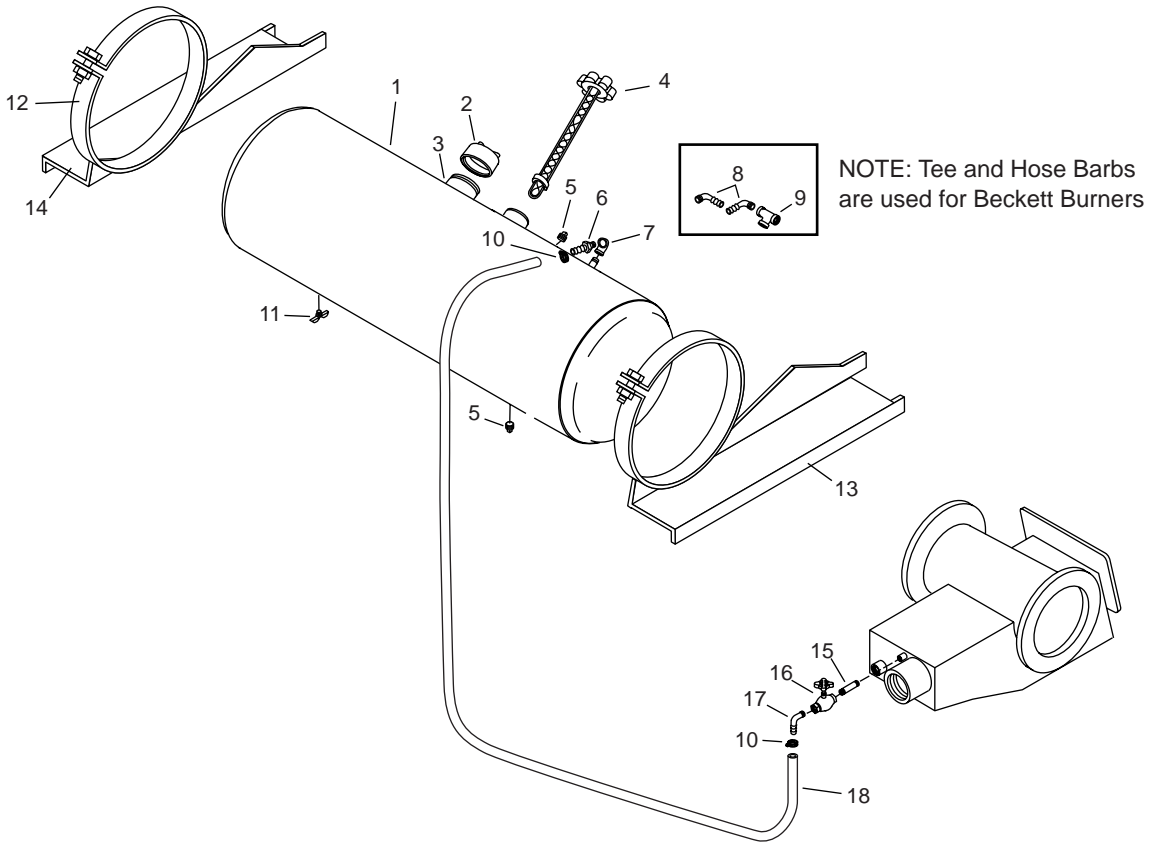
HANDSPRAY

CAUTION: Replace Rubber Handspray Hose Only with Original Equipment Hose from E. D. ETNYRE & COMPANY



REF	PART NO.	QTY	DESCRIPTION	REF	PART NO.	QTY	DESCRIPTION
1	3380785	1	Gun Assembly-Handspray, Phase II				
2	3380788	1	Tube Asm-Offset, Handspray Gun				
3	3380791	1	Bracket-HS Valve Handle				
4	6100441	1	Nut-Hex, Lock, Jam, 0.44NF, PD				
5	3380052	1	Handle-Handspray Hdl & Vlv				
6	6602237	1	Valve-Ball, 0.750 Bronze				
7	0436732	1	Screw-Mach, PNSL, 10NC x 0.50				
8	3380784	1	Valve Asm-Hand Spray Gun				
9	3380787	1	Tube Asm-Handspray Gun				
10	0111661	1	Coupling-Pipe, 0.75, Plain				
11	3390591	2	Tag-Caution, Handspray Hose				
12	6602720	1	Hose-Handspray, 0.75 In x 25 Ft				
13	6602020	1	Hose Reel 4016-17-18 Manual				
14	6601368	1	Hose Asm-1.00 x 60.00, Asphalt				
15	3352205	3	Nozzle-V Type, Nominal 3.5 GPM				

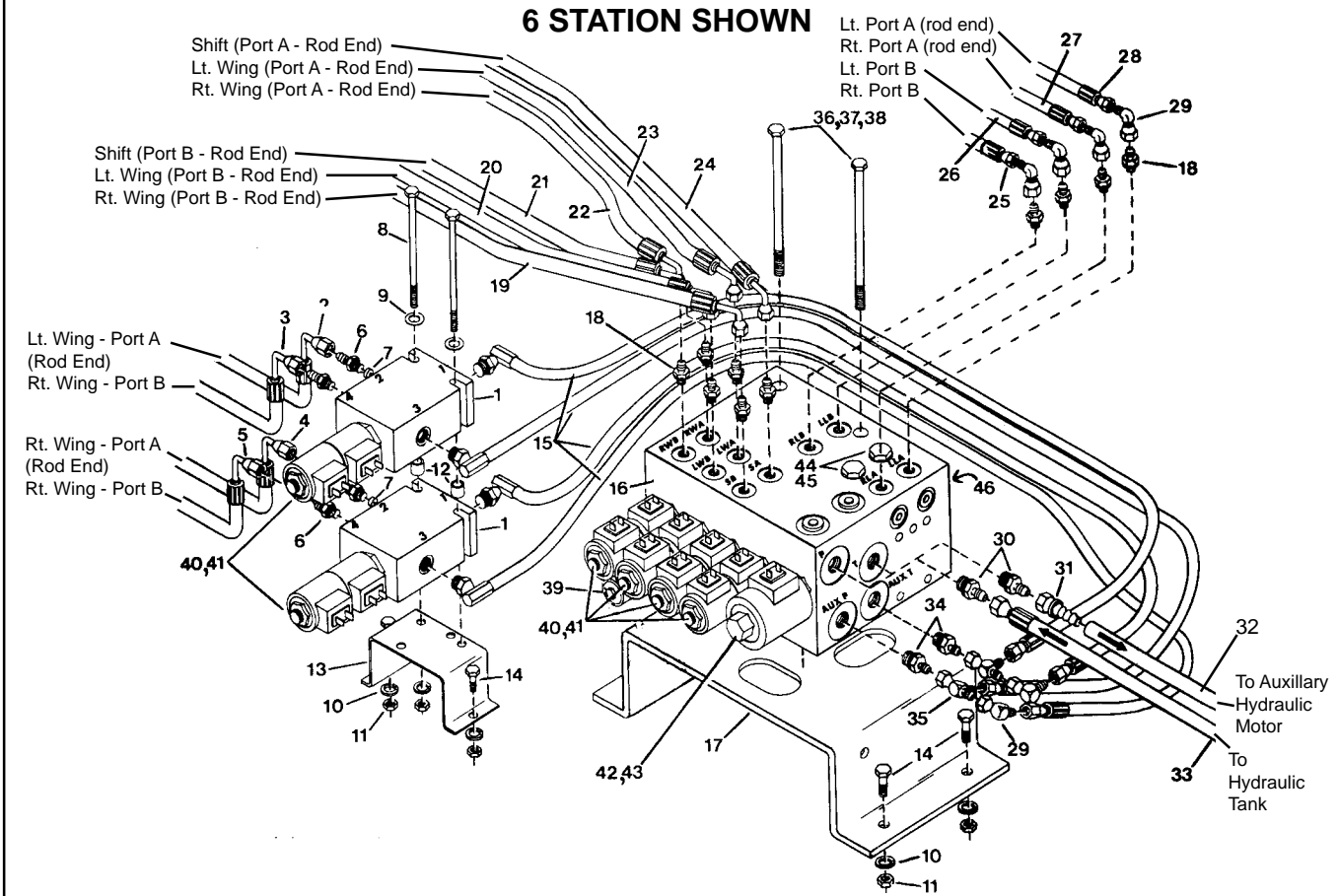
FUEL TANK ASSEMBLY AND SELF FLUSHING LINE



REF	PART NO.	QTY	DESCRIPTION	REF	PART NO.	QTY	DESCRIPTION
1	7230258	1	Fuel Tank Asm, 12" x 50"	14	3301158	1	Hanger-LH, 12" Tank
	7230259	1	Fuel Tank Asm, 14" x 42"		3301307	1	Hanger-LH, 14" Tank
2	6100235	1	Filler Cap		3301308	1	Hanger-Comb, RH Center
3	3360180	1	Plate-Fill with Diesel Fuel Only	15	0119920	1	Nipple-Sch 40, 0.25 x 2.00,PN
4	6601306	1	Liquid Level Gauge, 12" Tank	16	6600303	1	Globe Valve, 0.25 In., ST
	6601307	1	Liquid Level Gauge, 14" Tank	17	6602402	1	Hose Barb-06 x 04MP90, LP
5	0219189	1	Pipe Plug, 0.25, SqHd	18	6600324	AR	Hose-0.38 Per Ft.
6	6601794	1	Hose End-04 x 04MPX, ST, MP				
7	0105413	1	Elbow-PP, 90, 0.25NPT				
8	6602400	1	Hose Barb-04 x 04MP90, LP				
9	0105417	1	Tee-Pipe, 0.25NPT				
10	6001005	2	Hose Clamp, Screw Type, MS				
11	6600162	1	Drain Cock-0.25"				
12	3301156	2	Mounting Strap - 12" Tank				
	3331867	2	Mounting Strap - 14" Tank				
13	3301157	1	Hanger-RH, 14" Tank				

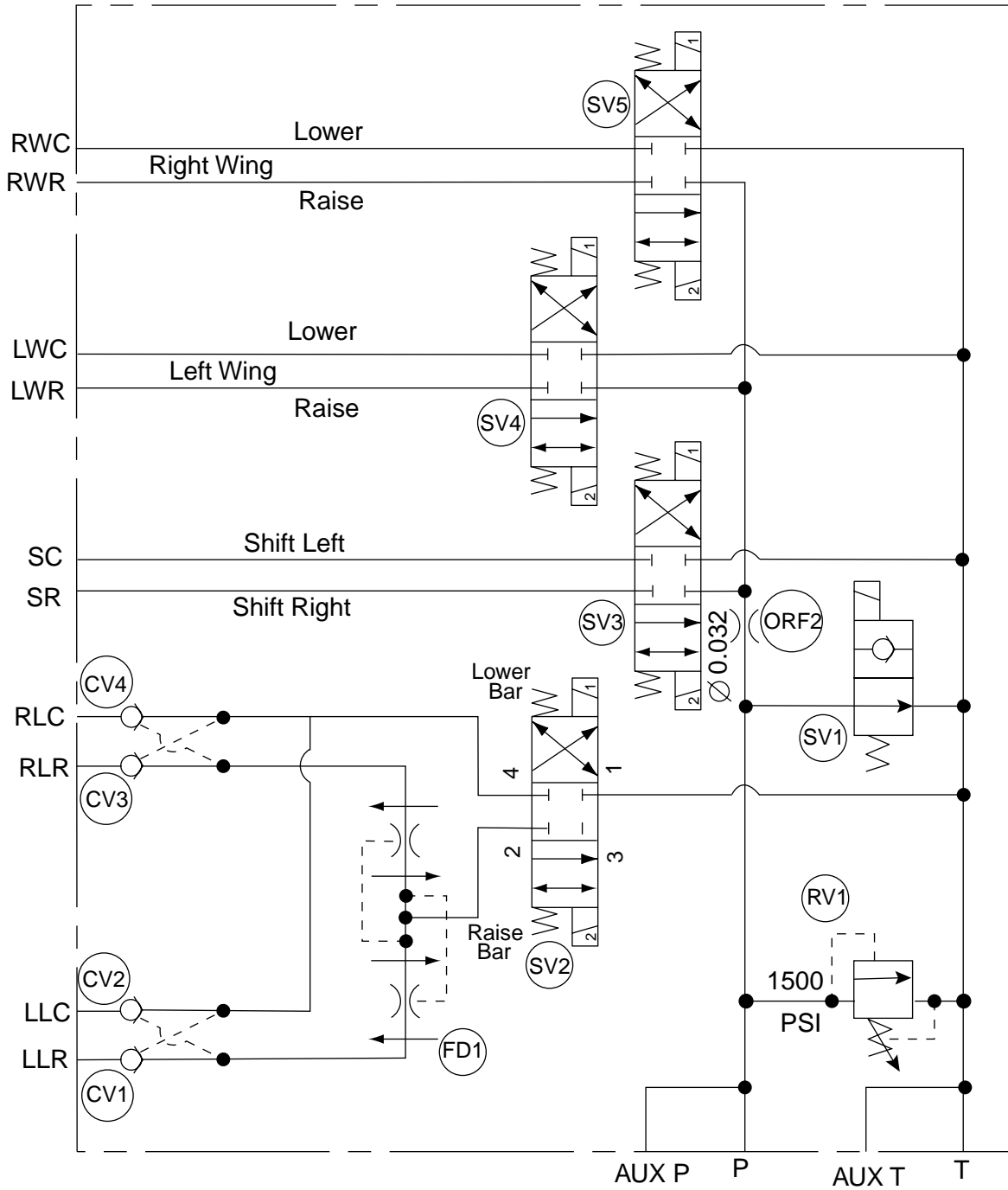
AR = As Required

MANIFOLD ASSEMBLY 6 STATION SHOWN



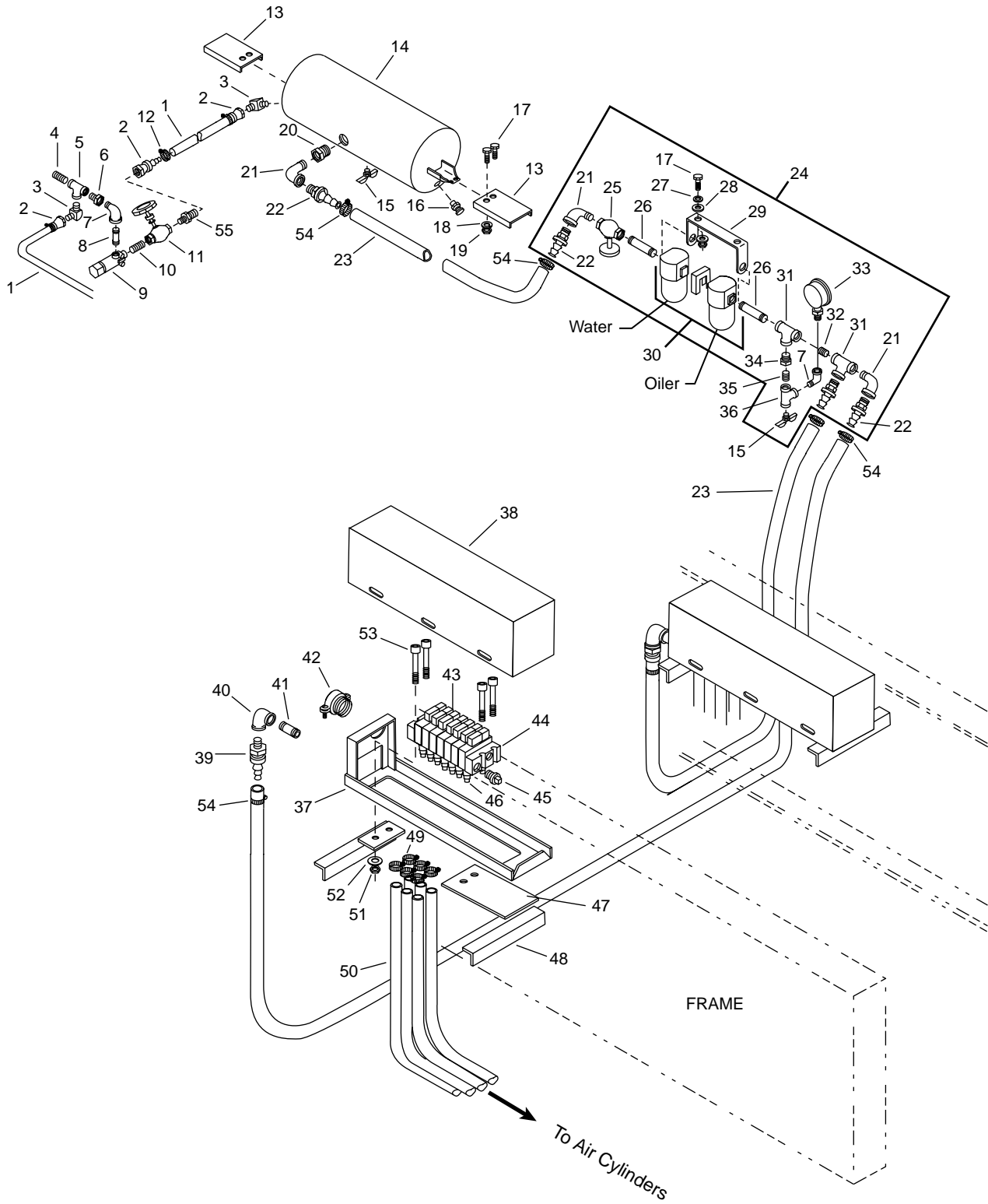
REF	PART NO.	QTY	DESCRIPTION	REF	PART NO.	QTY	DESCRIPTION
1	6602357	AR	Valve-Sol., 4-Way, 3 Pos, Closed	27	3361672	1	Hose Asm-04 x 137, 06MPX90-04FJX
2	3361216	1	Hose Asm-04 x 264, 06MBX90-04FJX	28	3361097	1	Hose Asm-04 x 137, 06MPX90-04FJX
3	3361217	1	Hose Asm-04 x 274, 06MBX90-04FJX	29	9410278	AR	Elbow-Hyd, 90, 04FJX-04MJ
4	3361214	1	Hose Asm-04 x 268, 06MBX90-04FJX	30	9410203	2	Adp-Hyd, ST, 08MB-08MJ
5	3361215	1	Hose Asm-04 x 278, 06MBX90-04FJX	31	6600663	1	Hose End-08 x 08MP, ST, LPSP
6	6602134	4	Adp-Hyd, ST, 06MB-04MJ	32	6600662	1	Hose-Push Lock (Specify Length)
7	3361219	2	Orifice Plug-0.49OD, 0.2T,0.292,Alum.	33	9250612	1	Hose Asm-LP, (Specify Length)
8	0173206	2	Screw-0.25NC x 3.50	34	6602363	2	Adp-Hyd, ST, 08MB-04MJ
9	0120386	2	Flat Washer-0.25	35	6602140	AR	Tee-Hyd, 04MJ-04FJX-04MJ
10	0120380	8	Lock Washer-0.25	36	0115253	2	Screw-0.38NC x 5.00
11	0120375	8	Nut-0.25NC	37	0120382	2	Lock Washer-0.38
12	3311639	2	Pipe Spacer-O.19, 0.38 Lg.	38	0120377	2	Screw-0.38NC
13	3311502	1	Bracket	39	7230291	1	Relief Valve
14	0121900	6	Screw-0.25NC x 1.00	40	7230295	AR	Solenoid Valve
15	3361213	4	Hose Asm-04 x 24, 06MBX90-04FJX	41	7230302	1	Seal Kit
16	6602356	1	Manifold	42	7230297	AR	Coil
17	3361212	1	Bracket	43	7230294	1	Solenoid Valve
18	9410200	10	Adp-Hyd, ST, 04MB-04MJ	44	7230301	1	Seal Kit
19	93361098	1	Hose Asm-04 x 30, 04FJX90M-04MPX	45	7230298	1	Coil
20	3361092	1	Hose Asm-04x220,6MPX90-4FJX90M	46	7230292	4	Check Valve
21	3361093	1	Hose Asm-04x210,6MPX90-4FJX90M	47	7230299	1	Seal Kit
22	3361095	1	Hose Asm-04x196,6MPX90-4FJX90	48	7230296	4	Piston
23	3361094	1	Hose Asm-04x204, 6MPX90-04FJX90	49	7230293	1	Flow Divider
24	3361099	1	Hose Asm-04x 61,06MPX90-04FJX90	50	7230300	1	Seal Kit
25	3361671	1	Hose Asm-04 x 126, 06MPX90-04FJX				
26	3361096	1	Hose Asm-04 x 126, 06MPX90-04FJX				

SCHEMATIC - 6602356 HYDRAULIC MANIFOLD BLOCK



AIR SUPPLY

Spray Bar Controlled In 1' Increments
Frame Mounted Air Valves

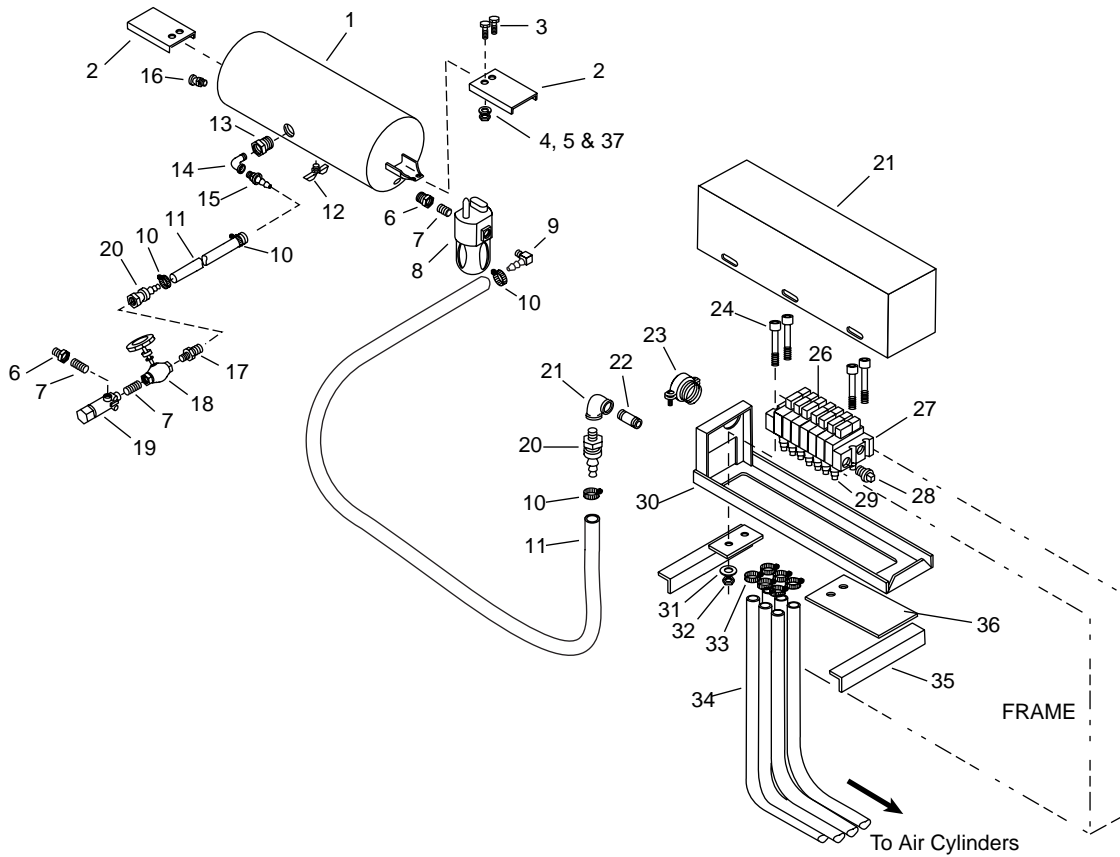


AIR SUPPLY

Spray Bar Controlled In 1' Increments Frame Mounted Air Valves

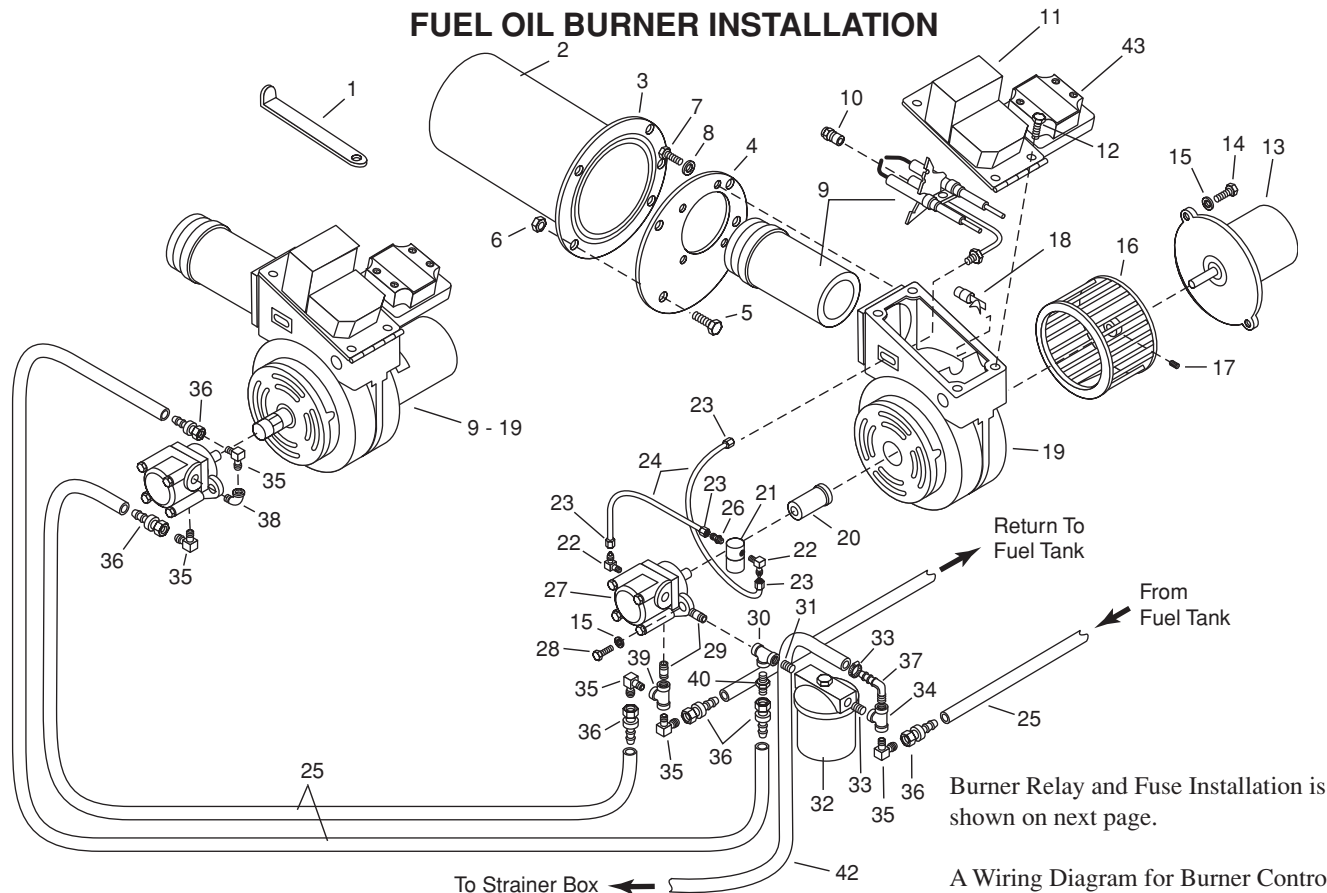
REF	PART NO.	QTY	DESCRIPTION	REF	PART NO.	QTY	DESCRIPTION
1	6600324	AR	Hose, 0.38, Per/Ft.	43	6601455	AR	Air Valve, 2 Pos, 4 Way, 12 VDC
2	6600306	3	Hose End, 06FSX, ST, LPSP	7420231	AR		Gasket
3	6200179	2	Elbow, 0.38 Tube x 0.38MPT, 90 Deg.	7215169	AR		Repair Kit
4	0109421	1	Nipple, 0.38 x 1.50CL,PN	7530034	AR		Solenoid
5	0120280	1	Tee-PP, 0.38NPT, PD	44	6601456	2	End Plate
6	0119931	1	Bushing-PP, 0.38 x 0.25NPT, PN	6601779	1		Kit
7	0105423	2	Elbow-PP, 90, ST, 0.25NPT, PN	45	0219191	2	Pipe Plug, SqHd, 0.38NPT, PN
8	0119920	1	Nipple, 0.25 x 2.00, PN	46	6602575	AR	Hose End, 0.19 Hose x 0.19MPT, ST
9	6600304	1	Pressure Valve Regulator	47	3360832	2	Support Plate55
10	0105407	1	Nipple, 0.25 x 1.50CL, PN	48	3361227	4	Mounting Angle
11	6600303	1	Globe Valve, 0.25, ST	49	6001005	AR	Hose Clamp Screw Type, M5
12	6001005	3	Hose Clamp, Screw Type M5	50	6309255	AR	Hose, 0.19 ID, FT.
13	3361119	2	Bracket - Long	51	9413946	8	Lock Nut, 0.25NC, EA, PD
	3361163	2	Bracket - Short	52	0120386	8	Flat Washer, 0.25A, PD
14	6450357	1	Air Reservoir	53	0138207	8	Cap Screw, 0.25NC x 2.25
15	6600162	2	Drain Cock, 0.25	54	6000087	2	Hose Clamp, 0.56-1.06
16	6600299	1	Safety Valve	55	0118750	1	Adapter-Auto, ST, 04MP-06MS
17	0120918	6	Hex Screw, 0.38NC x 1.50, GR2, PD				
18	0120382	6	Lock Washer, 0.38, Spring, PD				
19	0120377	6	Hex Nut, 0.38NC, PD				
20	0144034	1	Bushing-PP, 0.75 x 0.50NPT, PN				
21	0108686	3	Elbow-PP, 90, ST, 0.50NPT, PN				
22	6600663	4	Hose End, 08MP, ST, LPSP				
23	6600662	AR	Hose-Push Lock				
24	3311478	1	Air Bracket Asm				
25	6600343	1	Globe Valve, Scr, 0.50, Brz, 125 PSI				
26	0190700	2	Nipple, 0.50 x 4.00, PN				
27	0120388	2	Flat Washer, 0.38, PD				
28	7700056	2	Hauck Washer				
29	3311477	1	Bracket Asm				
30	6601777	1	Filter-Lubrication Asm, 0.50				
	7420241	1	Replacement Plastic Bowl W/Metal Bowl Guard & Auto Drain				
	7420240	1	Bowl Only (Oiler)				
	7420239	1	Bowl Only (Water)				
	7420238	2	O Ring				
	7420283	1	Air Filter Asm (Only)				
	7420284	1	Lubricator Asm (Only)				
31	0138105	2	Tee-PP, 0.50NPT,PN				
32	0121208	1	Nipple, 0.50 x 1.12CL, PN				
33	6600168	1	Pressure Gage, 2.5", 0-160 PSI				
34	0144045	1	Bushing-pp, 0.50 x 0.25NPT, PN				
35	0105405	1	Nipple, 0.25 x 0.88CL, PN				
36	0105417	1	Tee-PP, 0.25NPT, PN				
37	3361233	2	Bracket Asm				
38	3360859	2	Lid				
39	6602128	2	Hose End, 08 x 06MP, ST, LPSP				
40	0119097	2	Elbow-PP, 90, 0.38NPT, PN				
41	0120128	2	Nipple-PP, Sch 40, 0.38 x 3.5				
42	6701510	2	Romex Connector, 0.75				

AIR SUPPLY GANG ON/OFF SPRAY BAR



REF	PART NO.	QTY	DESCRIPTION	REF	PART NO.	QTY	DESCRIPTION
1	6450357	1	Air Reservoir, 0.69 x 22.5	23	6701510	1	Romex Connector, 0.75
2	3361119	2	Bracket - Long	24	0138207	4	Cap Screw, 0.25NC x 2.25
	3361163	2	Bracket - Short	25	3360059	1	Lid
3	0120918	4	Hex Screw, 0.38NC x 1.50, GR2, PD	26	6601455	AR	Air Valve, 2 Pos, 4 Way, 12 VDC
4	0120382	4	Lock Washer, 0.38, Spring, PD	7420231	1	Gasket	
5	0120377	4	Nut, 0.38NC, P	7215169	1	Repair Kit	
6	0119931	1	Pipe Bushing, 0.38 x 0.25NPT	7530034	AR	Solenoid	
7	0105407	3	Pipe Nipple, Sch 40, 0.25 x 1.50	27	6601456	2	End Plate
8	6600137	1	Oiler	6601779	1	Kit	
	7420225	1	Bowl	28	0219191	1	Pipe Plug, SqHd, 0.38NPT
9	6602402	1	Hose Barb - 06 x 04MP, 90 Deg	29	6602575	AR	Hose End, 0.19 Hose x 0.12MPT, ST
10	6000087	4	Hose Clamp, 0.56 - 1.06	6600305	2	Hose End-06 x 04MP, ST, LPSP	
11	6600324	AR	Hose, 0.38 Per Ft.	30	3361233	1	Bracket Asm
12	6600162	1	Drain Cock, 0.25	31	0120386	4	Flat Washer, 0.25A, PD
13	0144033	1	Pipe Bushing, 0.75 x 0.25NPT	32	9413946	4	Locknut, 0.25NC, EA, PD
14	0105423	1	Pipe Elbow, 90, ST, 0.25NPT	33	6001005	AR	Clamp, Screw Type, M5
15	6600305	1	Hose End, 06 x 04MP, ST, LPSP	34	6309255	AR	Hose, 0.19 ID, Ft.
16	6600299	1	Safety Valve	6600324	AR	Hose-0.38 Per Ft.	
17	0118750	1	Adapter-Auto, ST, 04MP-06MS	35	3361227	2	Mounting Angle
18	6600303	1	Globe Valve, ST, 0.25	36	3360832	2	Support Plate
19	6600304	1	Pressure Regulator Valve	37	0120388	4	Flat Washer, 0.38
20	6600306	2	Hose End, 06 x 06FSX, ST, LPSP				
21	0119097	2	Elbow, 90, 0.38NPT, PN				
22	0120128	2	Nipple, Sch 40, 0.38 x 3.5				
							AR = As Required

FUEL OIL BURNER INSTALLATION



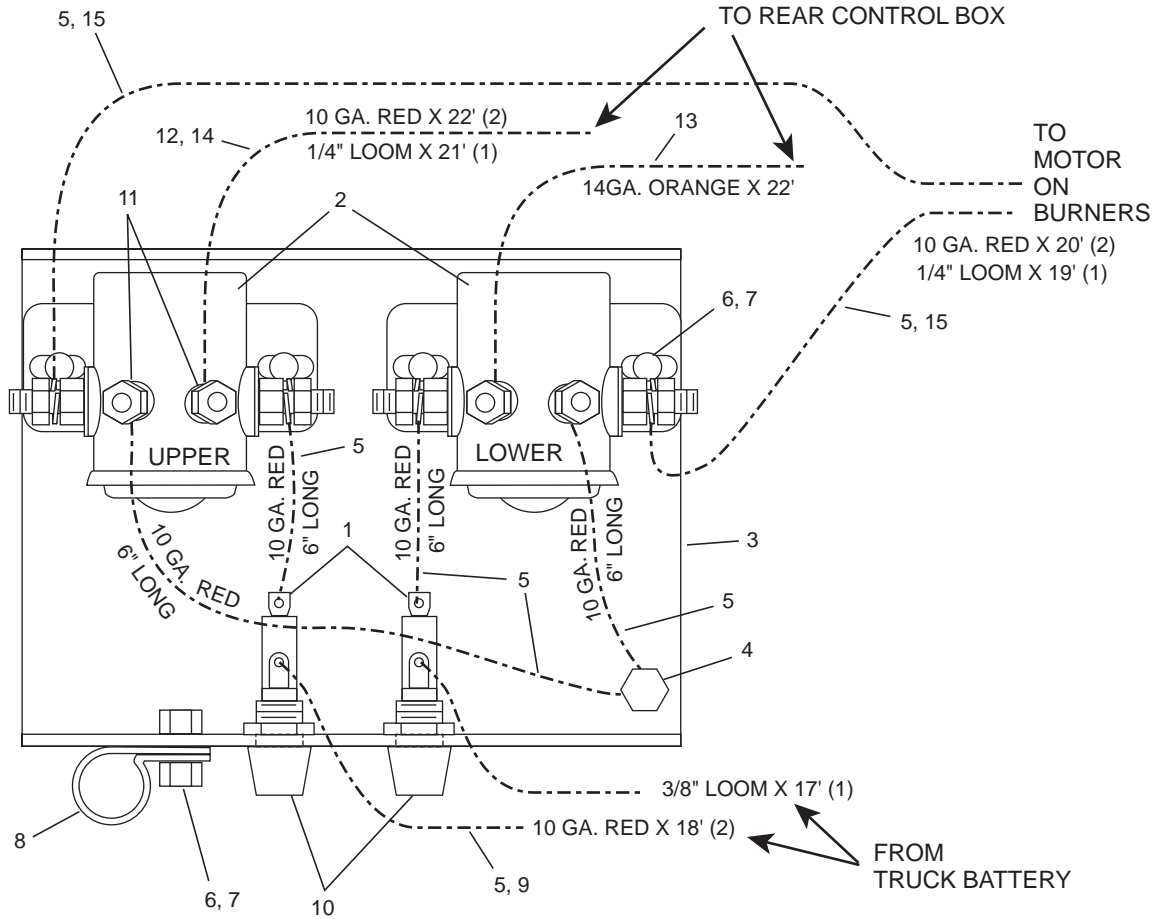
Burner Relay and Fuse Installation is shown on next page.

A Wiring Diagram for Burner Controls appears in the Wiring Diagrams section in the back of this manual

REF	PART NO.	QTY	DESCRIPTION	REF	PART NO.	QTY	DESCRIPTION
1	3331270	1	Holder-Hi Press. Comb Tube	27	6500399	1	Fuel Pump
2	6500041	1	Tube-Combustion	28	0122017	2	Screw-Hex, 0.31NC x 1.00, GR2, PD
3	3331277	1	Flue-Mtg. Beckett	29	0105407	2	Nipple-Sch 40, 0.25 x 1.50, PN
4	3331308	1	Flange-Burner Mount	30	0281839	1	Tee-Pipe, 0.38 x 0.25 x 0.25NPT, PN
5	0120233	4	Screw-Hex, 0.38NC x 1.00, GR2, PD	31	0121207	1	Nipple-PP, Sch 40, 0.38 x 1.00, CL, PN
6	0274993	4	Nut-Hex, Lock, 0.38NC, EA, PD	32	6500342	1	Filter Asm
7	0121887	4	Screw-Hex, 0.25NC x 0.75, GR2, PD	7730001		1	Filter Element-Oil, Replacement
8	0120238	4	Nut-Hex, Jam, 0.50NC, PD	33	6001005	1	Clamp-Hose, Screw Type M5
9	6500337	1	Burner Air Tube-7.5" Tube Length	34	0218233	2	Tee-Pipe, 0.25 x 0.25 x 0.38NPT, PN
10	6500395	1	Nozzle-2.0 GPH, 30 Solid	35	0118755	4	Elbow-Auto, 90, 04MP-06MS
11	6500397	1	Transformer-Ignition	36	6600306	6	Hose End-06 x 06FSX, ST, LPSP
12	0120706	4	Screw-Hex, 0.25NC x 0.50, GR2, PD	37	6602400	1	Hose BARB-04 x 04MP, 90 Deg-LP
13	6500386	1	Motor-Elect., 14 Volt 3450 RPM	38	0105423	1	Elbow-Pipe, 90, ST, 0.25NPT, PN
14	0122007	2	Screw-Hex, 0.31NC x 0.75, GR2, PD	39	0105417	1	Tee-Pipe, 0.25NPT, PN
15	0120214	4	Washer-Lock, 0.31, Spring, PD	40	0118750	1	Adapter-Auto, ST, 04MP-06MS
16	6500388	1	Blower Wheel-6.25 Dia.	41	6500351	1	Burner Head-NO. F313
17	0139010	1	Screw-Sock, 0.25NF x 0.32, CUP, PN	42	6601452	AR	Hose-Air Sol-Cyl Bar On-Off
18	6500346	1	Cad Cell-Burner, Hi Press	43	PD10441	1	Primary Control
19	6500343	1	Housing Asm-Burner, Hi Press				
20	6500387	1	Coupling-Blower to Motor				AR = As Required
21	6500400	1	Fuel Valve				
22	6200362	2	Elbow-3/16 Tube x 1/8MPT				
23	0120704	4	Nut-Flared Tube, 0.18 x 0.81				
24	6309067	AR	Tube-Copper, 0.19 x 0.03, Generic				
25	6600324	AR	Hose-0.38 Per Ft				
26	0120703	1	Union-Half, 3/16TBG x 1/8MPT				

RELAY AND FUSE - FUEL OIL BURNER INSTALLATION

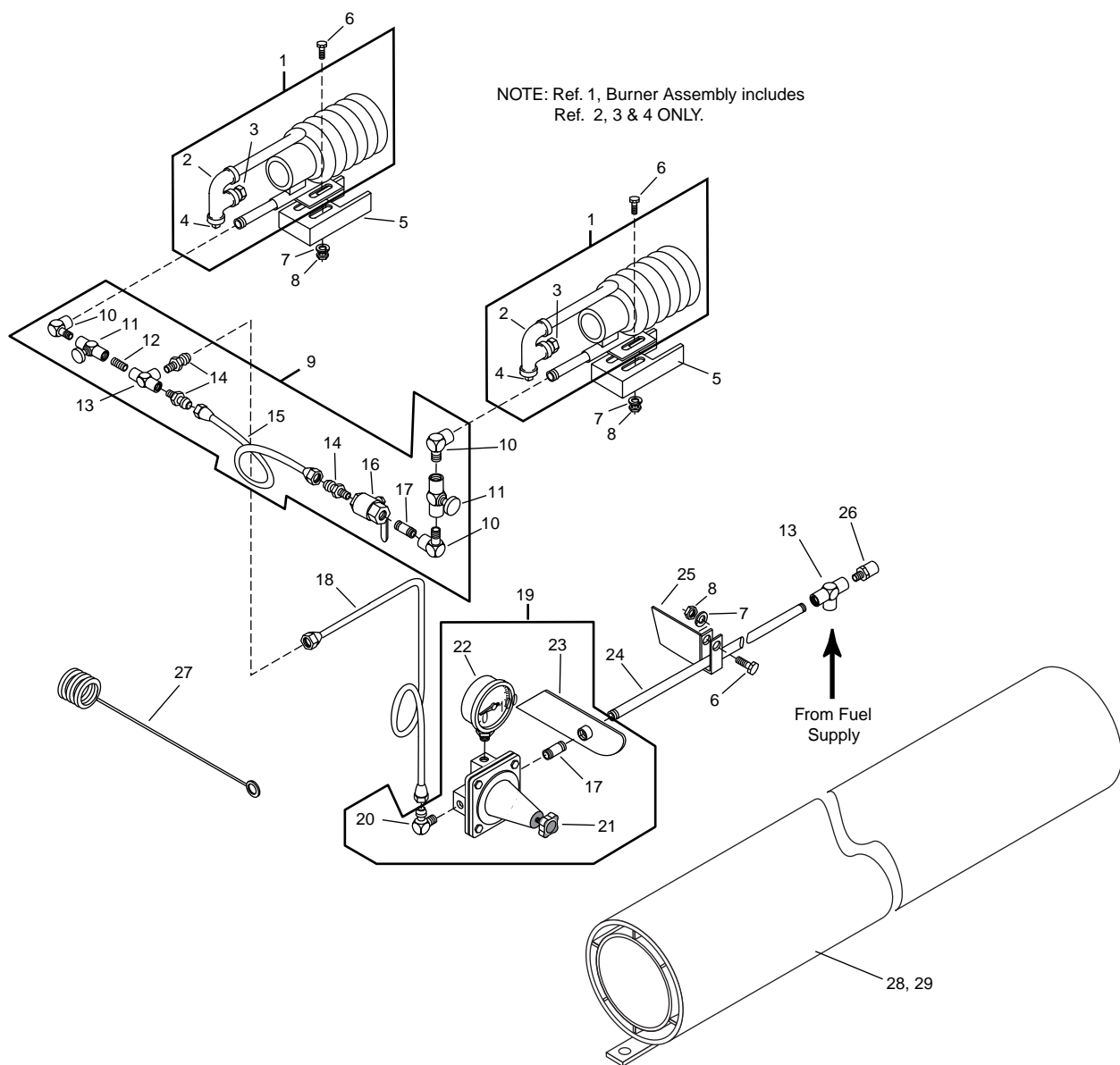
7230287



REF	PART NO.	QTY	DESCRIPTION	REF	PART NO.	QTY	DESCRIPTION
1	6702460	2	25 Amp Fuse, 3AG, Sloblow				
2	6702014	2	Solenoid Relay				
3	3361179	1	Mounting Bracket				
4	6701750	4	Terminal-Ring, 10 Ga., 0.25 in Stud				
5	6700224	AR	10 Ga. Wire, Red				
6	0120706	6	Screw-0.25NC x 0.50				
7	9413946	6	Lock Nut-0.25NC				
8	6000462	1	0.75 Rubber Clamp				
9	6000109	AR	Fibre Loom, 0.38 In.				
10	6702461	2	Fuseholder				
11	6700238	5	Terminal				
12	6700119	AR	14 Ga. Wire, Plastic, Red				
13	6700118	AR	14 Ga. Wire, Plastic, Orange				
14	6000108	AR	Fibre Loom, 0.31 In.				
15	6000107	AR	Fibre Loom, 0.25 In.				

AR = As Required

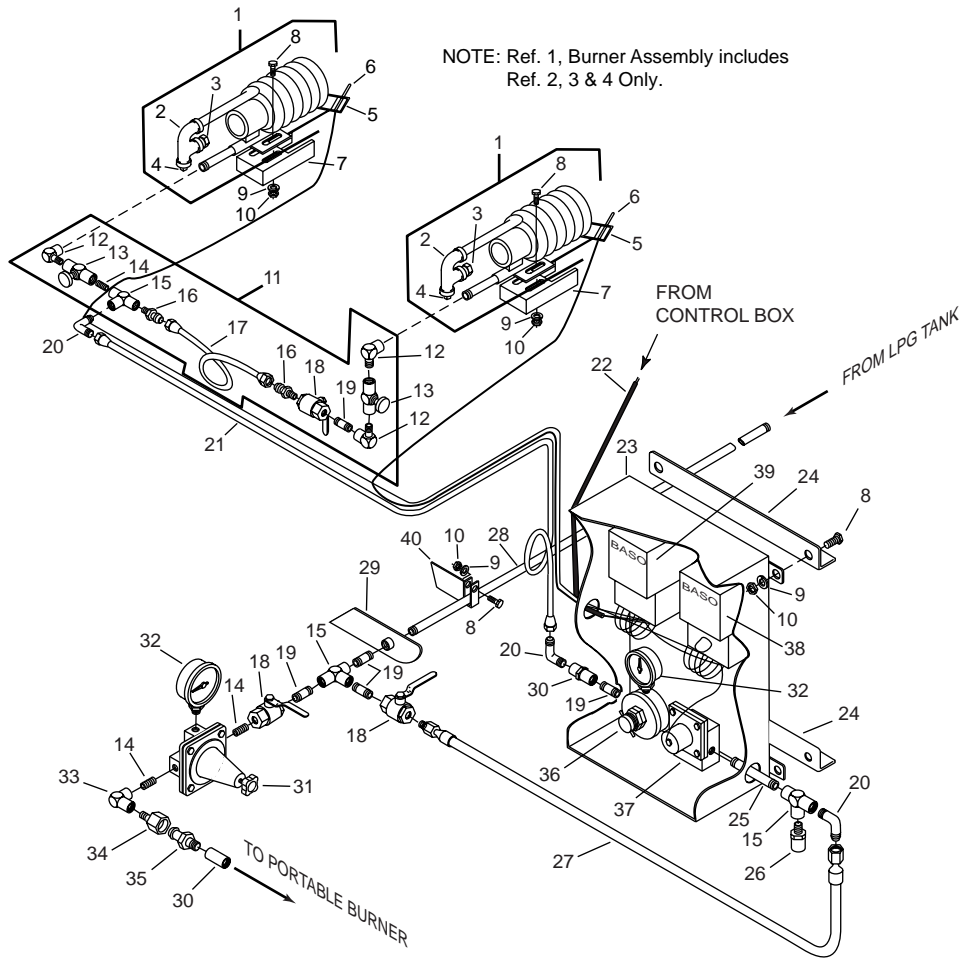
LPG BURNERS



REF	PART NO.	QTY	DESCRIPTION	REF	PART NO.	QTY	DESCRIPTION
1	3331073	2	Burner Asm	16	6500366	1	Ball Valve, 0.25
2	3331036	1	Vapor Plug Holder	17	6200417	2	Nipple-Sch 80, 0.25 x 1.50
3	3331086	1	Nozzle	18	3331362	1	Tube Asm
4	0219191	1	Pipe Plug, SqHd, 0.38NPT	19	3331885	1	Regulator Asm
5	3331870	1	Mounting Bracket Asm	20	0118755	1	Elbow-Auto, 90, 04MP-06MS
6	0121887	5	Screw, 0.25NC x 0.75	21	7720018	1	Pressure Regulator
7	0120380	5	Lock Washer, 0.25	22	6600196	1	Pressure Gauge, 2", 0-100 PSIG
8	0120375	5	Nut, 0.25NC	23	3331875	1	Bracket Asm
9	7720001	1	Piping Asm	24	6303435	AR	Pipe-0.25 Extra Heavy Wall
10	0454109	3	Elbow-Auto, 04FP-04MP	25	3330185	1	Support Asm
11	6500064	2	Needle Valve, 0.25NPTF, W/Pilot	26	7720014	1	Relief Valve, 400 PSI
12	6200292	3	Nipple, Sch 80, 0.25 x 0.87CL	27	3330077	1	Lighting Asm
13	0454121	2	Tee-Auto, 04FP-04FP-04FP	28	3331200	AR	Liner Asm-24 In., S.S., 8 In Flue
14	0118750	3	Adapter-Auto, ST, 04MP-06MS	29	3331196	AR	Liner Asm-48 In., S.S., 8 In Flue
15	3331108	1	Tube Asm				

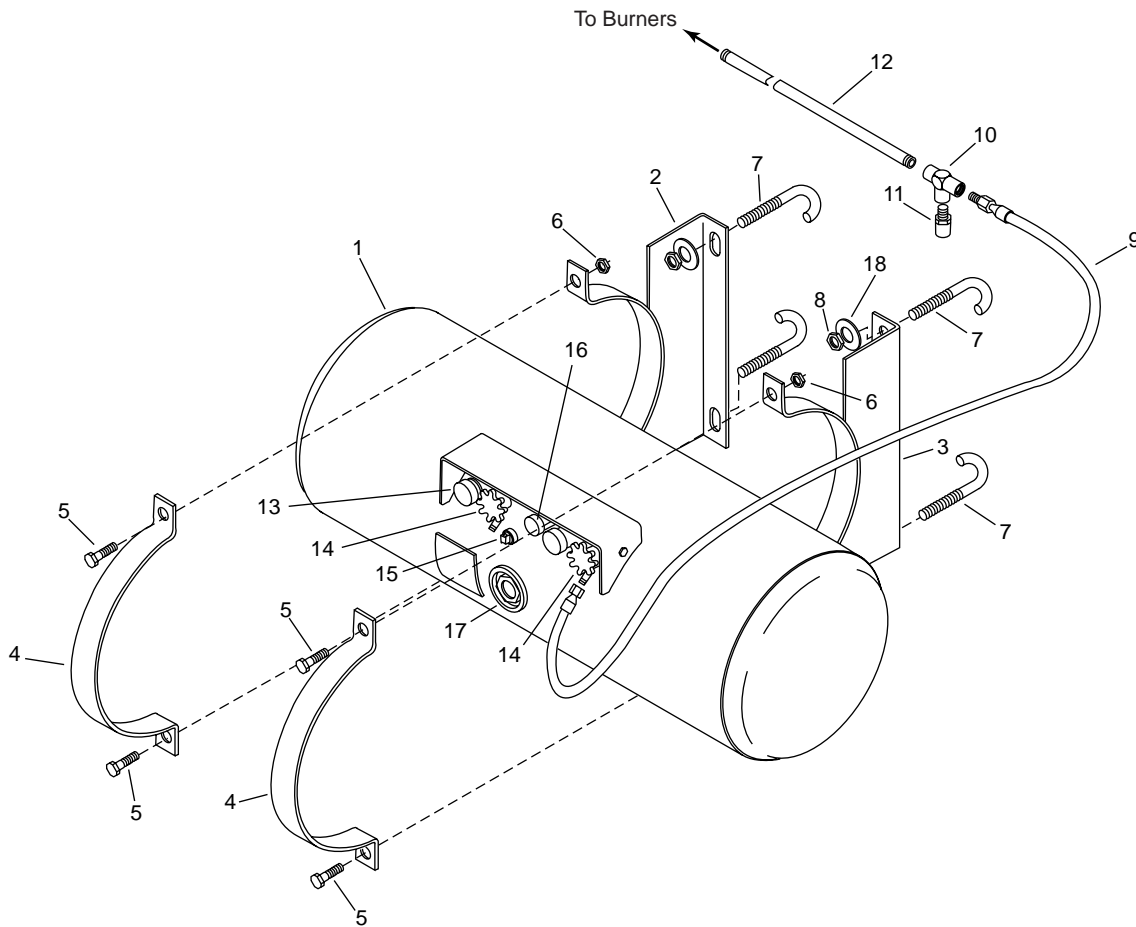
Specify Unit Serial No., Part No., & Part Description

LPG BURNERS WITH OUTFIRE



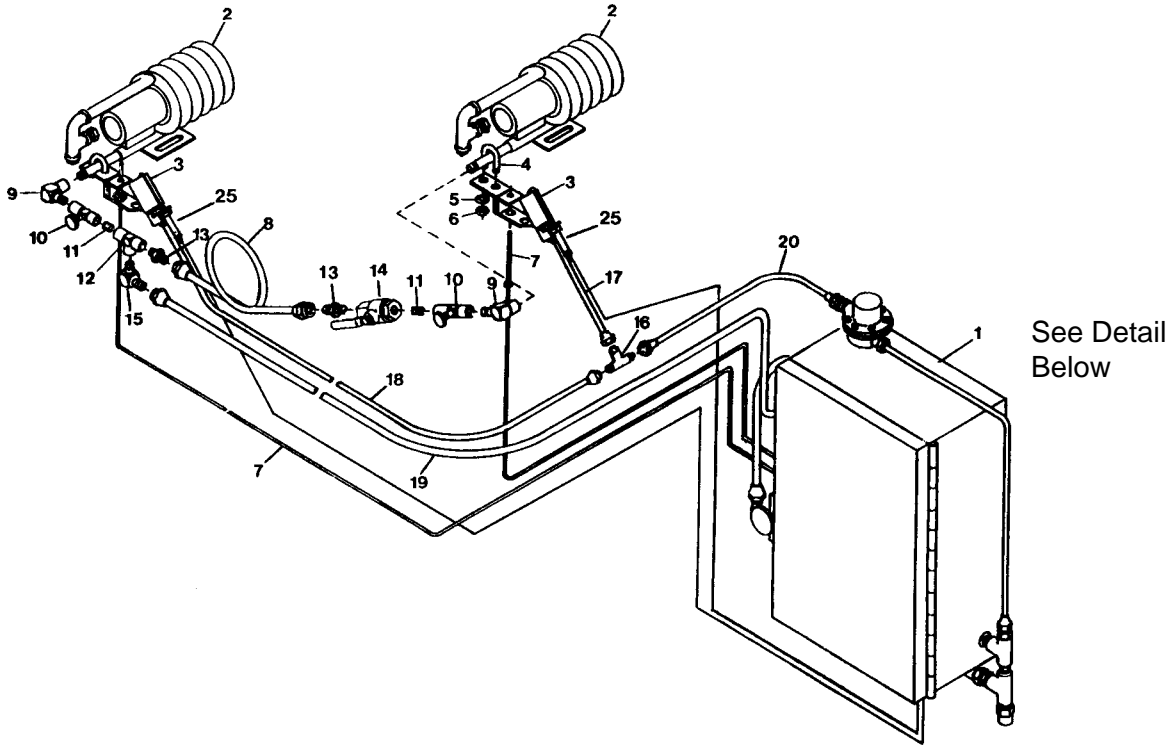
REF	PART NO.	QTY	DESCRIPTION	REF	PART NO.	QTY	DESCRIPTION
1	3331073	2	Burner Asm-LPG ETNYRE	22	3331880	1	Harness-Power Supply Therm CTL
2	3331036	1	Holder-Vapor Plug	23	6500020	1	Shut Off-12 V, B-3 Burner
3	3331086	1	Nozzle-L.P.G. Burner ETNYRE	24	3331879	2	Angle-Mt Outfire Box
4	0219191	1	Plug-PIPE, SqHd, 0.38NPT, PN	25	6200419	1	Nipple-PP, Sch 80, 0.25 x 3.50, PD
5	3331898	2	Bracket Asm-Mtg. Thermocouple	26	7720014	1	Valve-Relief, 400 PSI LPG HYDRO
6	6500113	2	Thermocouple-Duel Fuel B-3	27	3331886	1	Hose Asm-28.5" LPG Outfire Box
7	3331870	2	Bracket Asm-Mtg. LPG BRNR HT	28	6303435	AR	Pipe-Sch 80, 0.25 Generic
8	0121887	9	Screw-Hex, 0.25NC x 0.75, GR2, PD	29	3331875	1	Bracket Asm-Fuel Line
9	0120380	9	Washer-Lock, 0.25, Spring, PD	30	0144068	1	Coupling-Pipe, 0.25NPT, PD
10	0120375	9	Nut-Hex, 0.25NC, PD	31	7720018	1	Regulator-Pressure
11	7720001	1	Piping Asm-B3 Burner Conn.	32	6600196	2	Gauge-Press, 1 In., 0-100 PSIG
12	0454109	3	Elbow-Auto, 90, 04FP-04MP, PD	33	0454085	1	Elbow-Auto, 90, 04FP-04FP, PD
13	6500064	2	Valve-Needle, 0.25NPTF, W/Pilot	34	6600785	1	Adapter-POL x 1/4MPT
14	6200292	3	Nipple-PP, Sch 80, 0.25 x 0.87 CL, PD	35	6600043	1	Connector-Tank LPG Press Reg.
15	0454121	3	Tee-Auto, 04FP-04FP-0FP, PD	36	6500008	1	Regulator-REGO 499M
16	0118750	2	Adapter-Auto, ST, 04MP-06MS	37	7720011	1	Valve-Gas Elect., 250 PSI - 12Y
17	3331108	1	Tube Asm-Burner Piping Propane	38	7720045	1	Switch-Safety, BASO L61LL-B
18	6500366	3	Valve-Ball, 0.25 JOMAR T-100	39	6500133	1	Switch-Safety, BASO L61LL-1
19	6200417	5	Nipple-PP, Sch 80, 0.25 x 1.50, PD	40	3330185	1	Supt Asm-Right, Fuel Line
20	0118755	3	Elbow-Auto, 90, 04MP-06MS				
21	3331881	1	Tubing-Outfire To Main Burners				AR - AS REQUIRED

LPG TANK

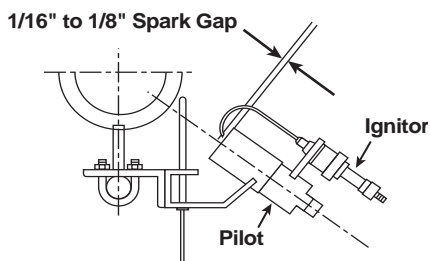


REF	PART NO.	QTY	DESCRIPTION	REF	PART NO.	QTY	DESCRIPTION
1	6500333	1	Tank-LPG, 42 Gal., 18 x 42, Chassis	14	7720066	2	Valve-Liquid, Tank LPG 18 x 42 + 53
	6500045	1	Tank-LPG, 52 Gal., 18 x 53, Chassis	15	7720065	1	Valve-Relief, Tank LPG 18 x 42 + 53
	6500360	1	Tank-52 GL LPG 22 x 36 Texas RR	16	7720062	1	Valve-20 Pct, Tank LPG 18 x 42 + 53
2	3331034	1	Bracket Asm-Propane Tank Mt LT	17	7720063	1	Gauge-Sight, Tank LPG 18 x 42 + 53
	3331299	1	Brkt Asm-Propane Tnk Mt LT 22"	18	9422850	4	Washer-Flat, 0.62A (0.65 x 1.31)HN
3	3331035	1	Bracket Asm-Propane Tank Mt RT				
	3331300	1	Bracket Asm-Propane Tnk Mt RT 22"				
4	3330293	1	Ring-18 In. Propane Bottle				
	3331296	1	Propane Tank Ring 22"				
5	0120237	4	Screw-Hex, 0.50NC x 3.00, GR2, PD				
6	9411727	4	Nut-Hex, Lock, 0.50NC EA, PD				
7	3360726	4	Bolt-Hook, Bit, Frame Truck				
8	9413948	4	Nut-Hex, Lock, 0.62NC, EA, GRA, PD				
9	3331076	1	Hose Asm-Propane Tank Inst RH				
10	0454121	1	Tee-Auto, O4FP-O4FP-O4FP, PD				
11	7720014	1	Valve-Relief, 400 PSI LPG Hydro				
12	6303435	1	Pipe-Sch 80, 0.25, Generic				
13	7720064	1	Valve-Fill, Tank LPG 18 x 42 + 53				

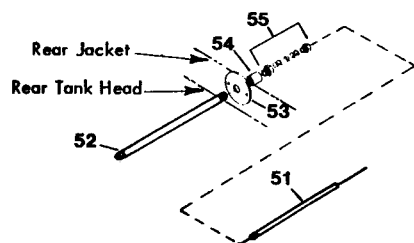
THERMOCONTROL - 12 VOLT ETNYRE LPG BURNERS



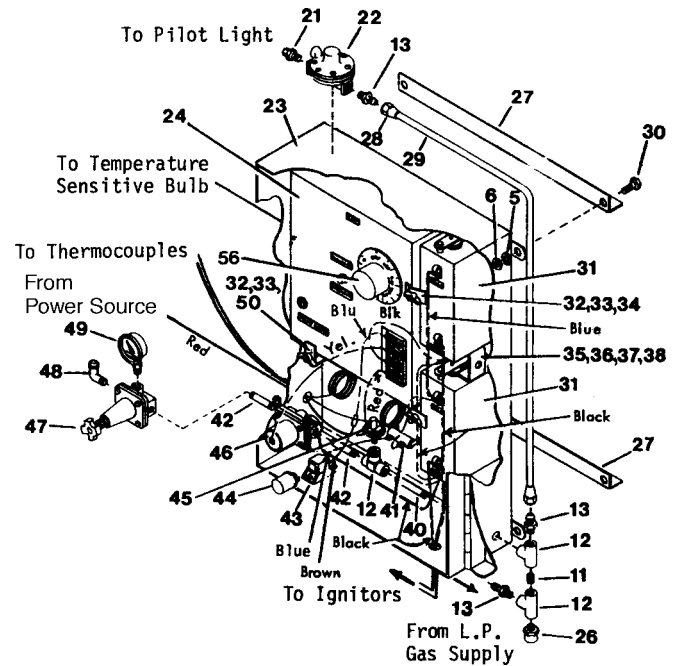
Set up both burners as shown below
331877



Well - Thermometer Installation

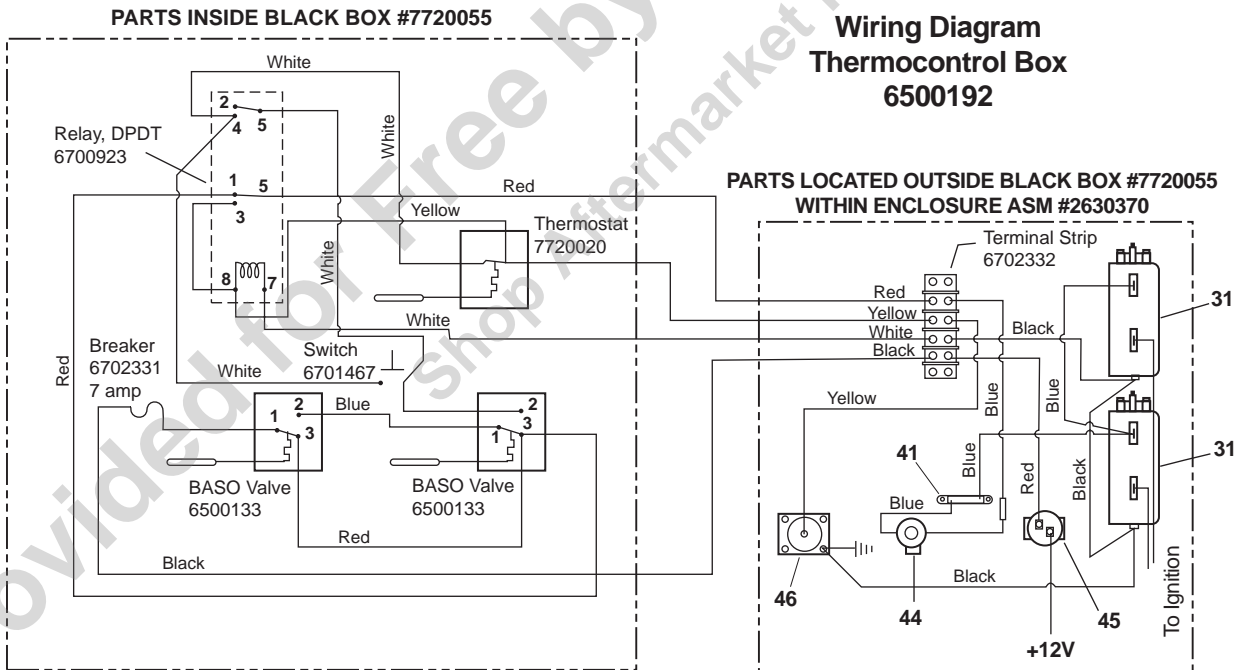


Detail of Thermocontrol Box

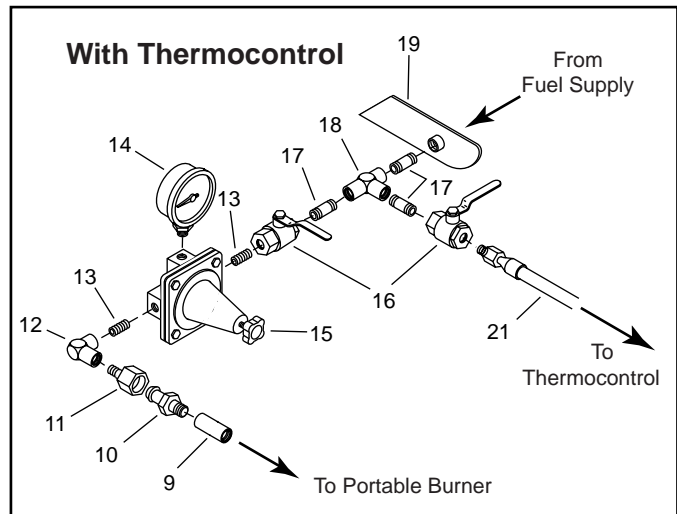
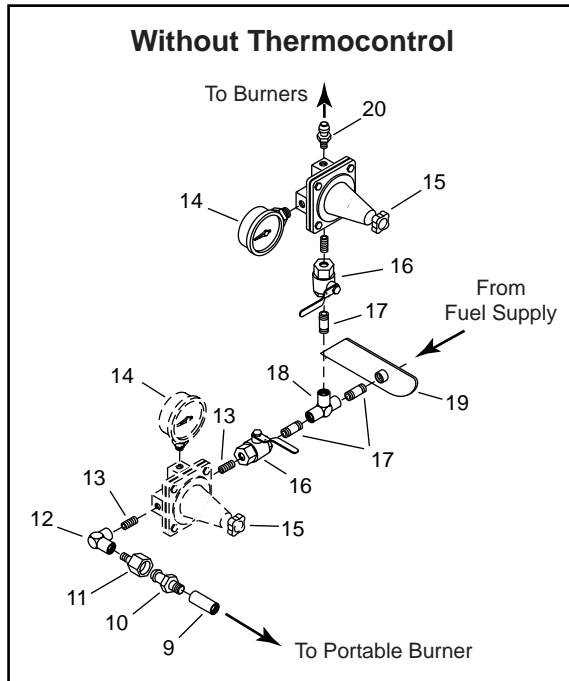
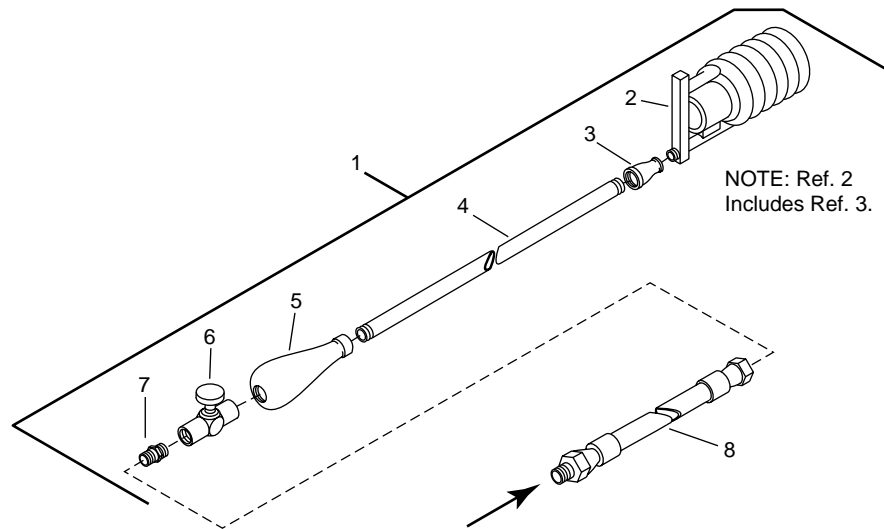


THERMOCONTROL - 12 VOLT ETNYRE LPG BURNERS

REF	PART NO.	QTY	DESCRIPTION	REF	PART NO.	QTY	DESCRIPTION
1	6500192	1	Control-Flame Out & Temp, LPG	29	6309071	1	Tube-0.38 x 0.25 Copper, Type L
2	3331073	2	Burner Asm-LPG	30	0121867	4	Screw-Hex, 0.25NC x 0.75,GR2,PO
3	3331877	2	Pilot Asm W/Plug & Mtg. Brkt.	31	7720017	2	Ignition Coil
4	3331878	2	Pipe Clip-0.25NC	32	0432903	3	Screw-0.25NC x 4.00
5	0120380	8	Lock Washer-0.25NC	33	0126177	3	Wing Nut-0.25NC, Type A, PD
6	0120375	8	Nut-0.25NC	34	2630586	1	Bracket
7	6500113	2	Thermocoupling	35	2660101	1	Spacer
8	3331108	1	Tube Asm	36	0436665	1	Screw-Mach, PNSL, 06NC x 0.50
9	0454109	2	Elbow-Auto, 90, 04FP-04MP,	37	0131044	1	Lock Washer-#6
10	6500064	2	Needle Valve-0.25NPTF, W/Pilot	38	0134530	1	Nut-Hex, Mach, #6NC
11	6200292	3	Nipple-PP, Sch 80, 0.25 x 0.88CL	39	2630585	1	Bracket
12	0454121	4	Tee-Auto, 4FP-04FP-04FP	40	6200473	1	Nipple-PP, Sch 80, 0.25 x 4.00
13	0118750	4	Adp-Auto, ST, 04MP-06MS	41	7720043	1	Resistor
14	6500366	1	Ball Valve-0.25	42	6200418	2	Nipple-PP, Sch 80, 0.25 x 3.00
15	6600731	2	Elbow-Auto, 90, 04MP-04MS	43	7720021	1	Bracket-Flasher
16	6602039	1	Tee-Auto, 04MC-04MC-04MC	44	6700318	1	Flasher-12V
17	3331883	1	Tubing-Tee to Outer Burner	45	7720008	1	Pressure Switch
18	3331884	1	Tubing-Tee to Inner Burner	46	7720011	1	Electric Gas Valve-250 PSI, 12V
19	3331881	1	Tubing-Outfire to Main Burners	47	7720018	1	Pressure Regulator
20	3331882	1	Tubing-Reg. to Outer Burner Tee	48	0118755	1	Elbow-Auto, 90, 04MP-06MS
21	6600465	1	Connector-Male, 04MC-06MP	49	6600196	1	Pressure Gauge, 2",0-100 PSI
22	7720023	1	Regulator-Pilot	50	2630584	1	Bracket
23	2630370	1	Outfire Box Enclosure	51	7720020	1	Thermostat & Sensing Element-450
24	7720055	1	Safety Relay-Thermostat	52	3300045	1	Well Asm-16"
	7720059	1	Safety Relay (For Single Burner)	53	2750166	1	Finishing Ring
25	7720022	2	Spark Plug	54	0120755	1	Pipe Coupling-0.38NPT
26	7720014	1	Relief Valve-400 PSI	55	6500105	1	Packing Gland
27	3331879	2	Angle-Mt. Outfire Box	56	7720061	1	Knob Asm
28	0121758	2	Flared Nut-0.38 OD TBG x 1 Lg.				

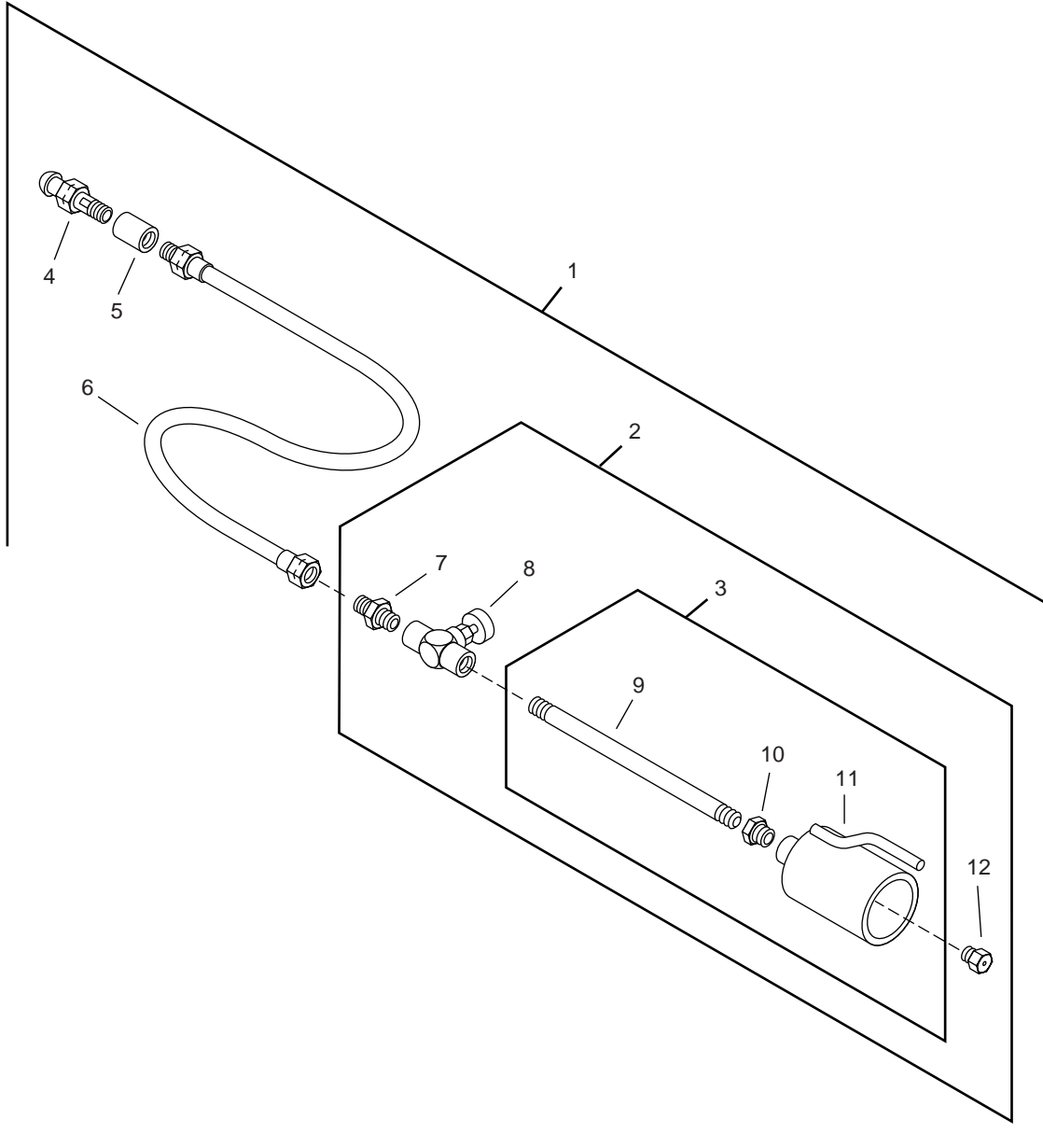


LPG PORTABLE BURNER - TANK SYSTEM



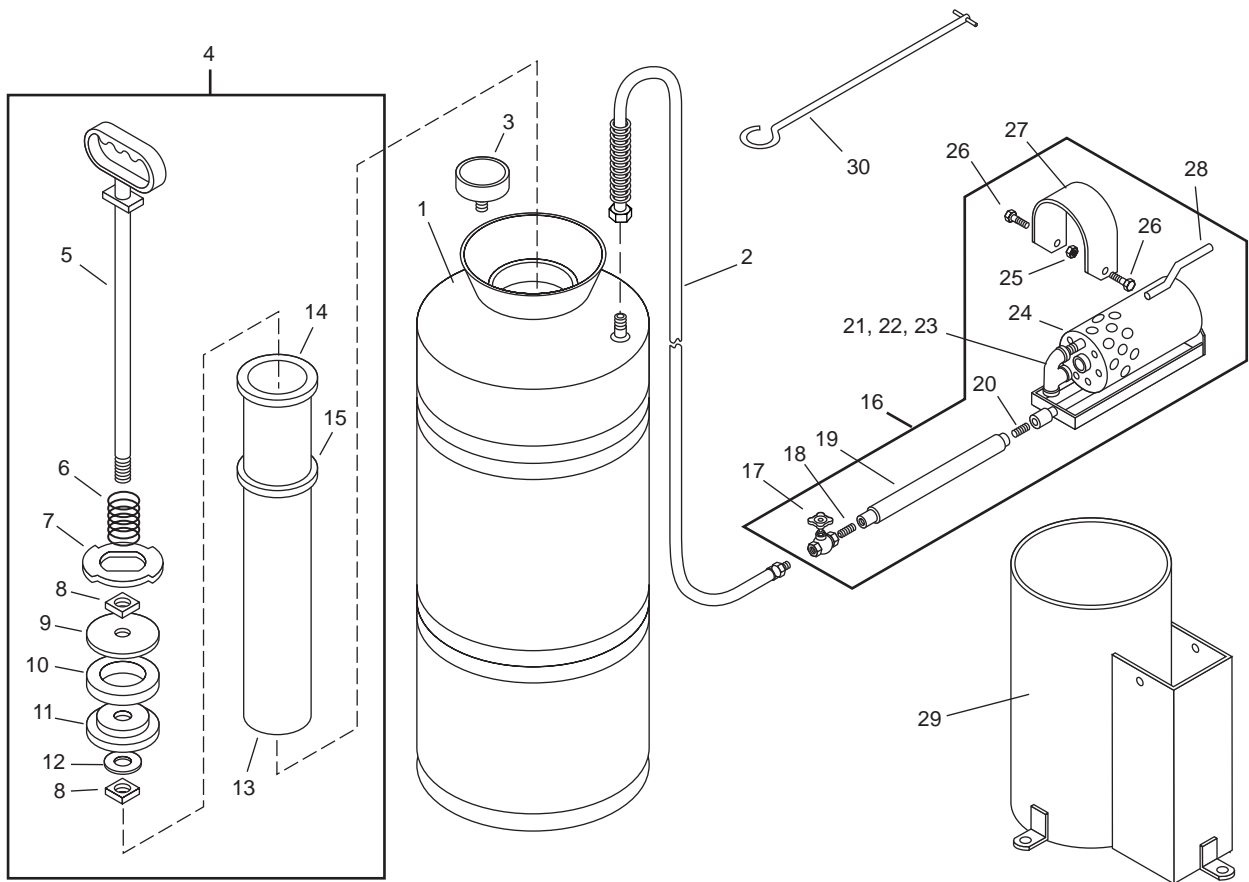
REF	PART NO.	QTY	DESCRIPTION	REF	PART NO.	QTY	DESCRIPTION
1	3331899	1	Burner Asm W/O Hose	13	6200292	2	Nipple-Sch 80, 0.25 x 0.87CL
2	6500071	1	Burner (Includes Ref# 2)	14	6600196	AR	Pressure Gauge, 2", 0-100PSIG
3	0105420	1	Coupling, 0.25NPT x 0.12NPT	15	7720018	AR	Pressure Regulator
4	6200251	1	Pipe-Sch 40, 0.25 x 30.00	16	6500366	2	Ball Valve, 0.25
5	7700025	1	Handle	17	6200417	AR	Nipple-Sch 80, 0.25 x 1.50
6	6500064	1	Needle Valve, 0.25NPTF, W/Pilot	18	0454121	1	Tee-Auto, 04FP-04FP-04FP
7	4470350	1	Hex Nipple, 0.25 x 1.12	19	3331875	1	Bracket Asm
8	6601692	1	Burner Hose Asm, 0.25 x 25.00	20	0118750	1	Adaptor-Auto, ST, 04MP-06MS
9	0144068	1	Pipe Coupling, 0.25NPT	21	3331886	1	Hose Asm
10	6600043	1	Connector				
11	6600785	1	Adapter-POL x 0.25MPT				
12	0454085	1	Elbow-Auto, 90, 04FP-04FP				

PORTABLE BURNER - VAPOR PROPANE



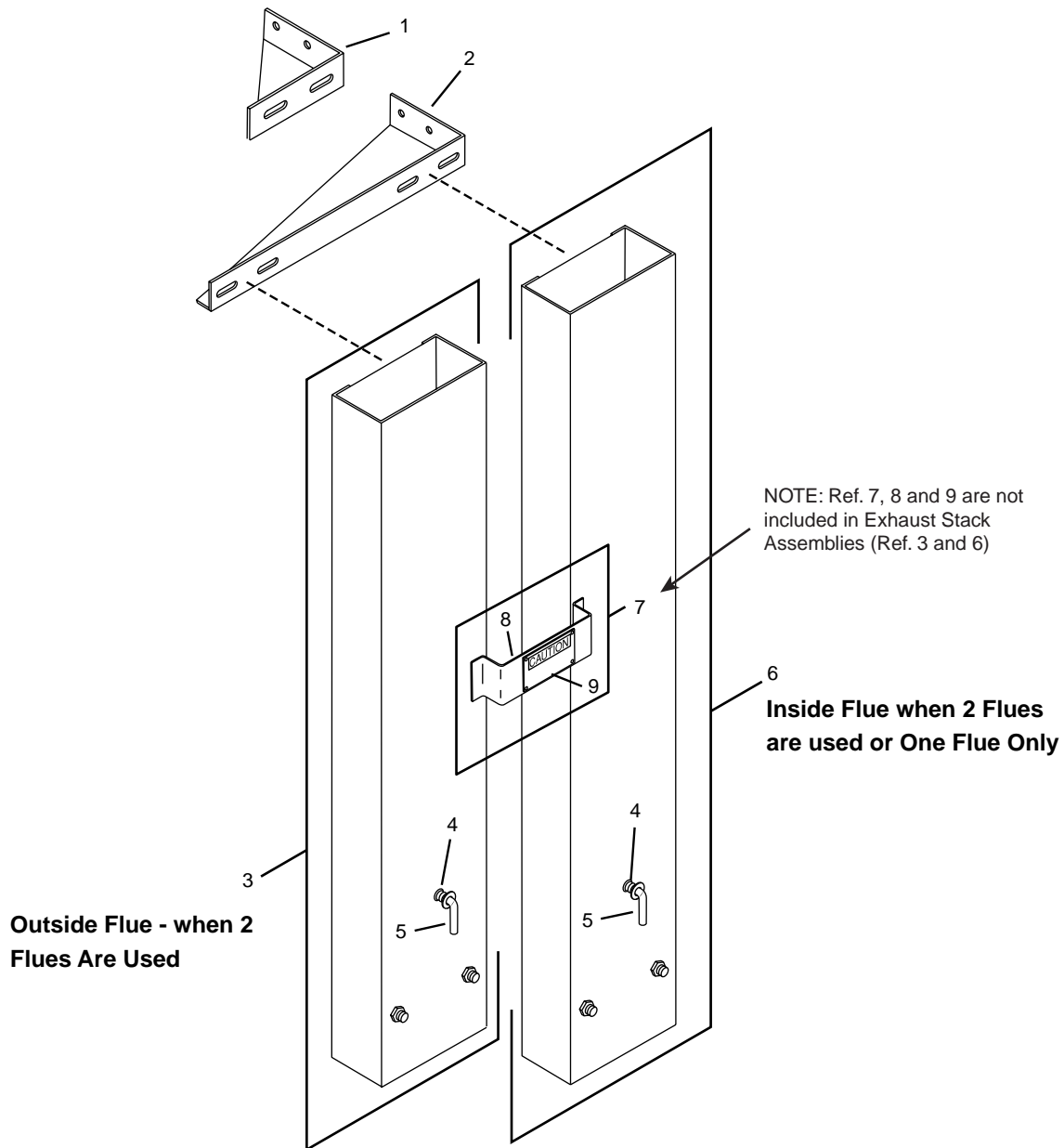
REF	PART NO.	QTY	DESCRIPTION	REF	PART NO.	QTY	DESCRIPTION
1	7720046	1	Burner Asm-Propane Vapor				
2	3330296	1	Burner Asm-Portable, LPG Vapor				
3	3330297	1	Burner As-Portable, LPG Vapor				
4	6600043	1	Connector-Tank LPG				
5	0144068	1	Coupling-Pipe, 0.25NPT,PD				
6	6601692	1	Hose-Burner, Port, Propane, 1/4				
7	4470350	1	Nipple-Hex, 0.25 x 1.125				
8	6500064	1	Valve-Needle, 0.25NPTF, With Pilot				
9	6200251	1	Pipe-Sch 40, 0.25 x 3.00, TBE,PN				
10	0119931	1	Bushing-Pipe, 0.38 x 0.25NPT,PN				
11	3330298	1	Shroud Asm-Portable Burner				
12	3330001	1	Plug-Vaporizing				

PORTABLE GENERATING BURNER



REF	PART NO.	QTY	DESCRIPTION	REF	PART NO.	QTY	DESCRIPTION
	6500053	1	Portable Burner Asm (Less items 29 & 30)	16	3331382	1	Burner Asm
1	7700086	1	Tank	17	7700024	1	Valve
	7700050	1	Carrying Strap	18	0105405	1	Nipple-0.25 x 0.87, CL
2	7700065	1	Hose-6Ft.	19	2630080	1	Handle Asm
3	7700046	1	Pressure Gauge	20	0121207	1	Nipple-0.38 x 1.00, CL
4	3330462	1	Air Pump	21	3331036	1	Vapor Plug Holder
5	7700089	1	Rod	22	3330002	1	Vaporizing Plug, #54
6	7700090	1	Spring	23	0219191	1	Pipe Plug, SqHd, 0.38NPT
7	7700091	1	Cap	24	3330003	1	Small Burner Asm
8	7700092	2	Nut	25	9413946	2	Lock Nut, 0.25NC
9	7700056	1	Washer	26	0120706	2	Screw-0.25NC x 0.50
10	7700057	1	Washer	27	2630163	1	Cover
11	7700058	1	Washer	28	3330356	1	Holder
12	7700060	1	Washer	29	3330277	1	Burner Carrier Asm
13	7700062	1	Washer	30	6500048	1	Needle
14	7700048	1	Barrel				
15	7700047	1	Gasket				

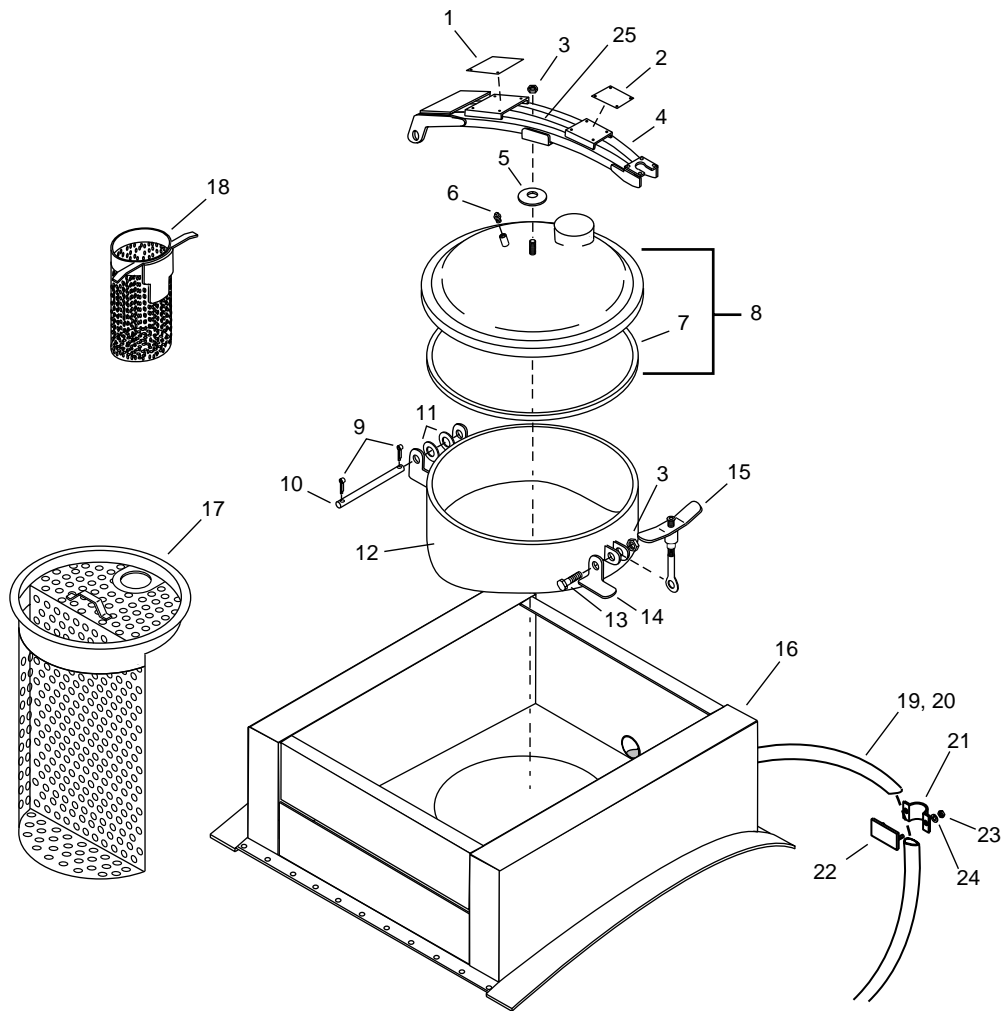
EXHAUST STACK ASSEMBLIES



REF	PART NO.	QTY	DESCRIPTION	REF	PART NO.	QTY	DESCRIPTION
1	3301342	1	Top Bracket (1 Flue)	6	3301336	1	Stack Asm - 51.12"
2	3301331	1	Top Bracket (2 Flue)				(42 x 74, 47 x 78 & 50 x 83 Head)
3	3301335	1	Stack Asm - 46.38"	3301337	1	Stack Asm - 55.88"	(53 x 88 Head)
			(42 x 74, 47 x 78 & 50 x 83 Head)	3301338	1	Stack Asm - 60.62"	(59 x 89 Head)
	3301336	1	Stack Asm - 51.12"	3301339	1	Stack Asm - 65.38"	(65 x 90 Head)
	3301337	1	Stack Asm - 55.88"	3301340	1	Stack Asm - 70.12"	(70 x 92 Head)
	3301338	1	Stack Asm - 60.62"	7	3390592	1	Tag Bracket Asm
	3301339	1	Stack Asm - 65.38"	8	3390562	1	Bracket
	3301332	1	Stack Asm - 70.12"	9	3561030	1	Plate - CAUTION, HOT SURFACE
4	6000496	1	Release Spring				
5	3301332	1	Damper Arm Asm				

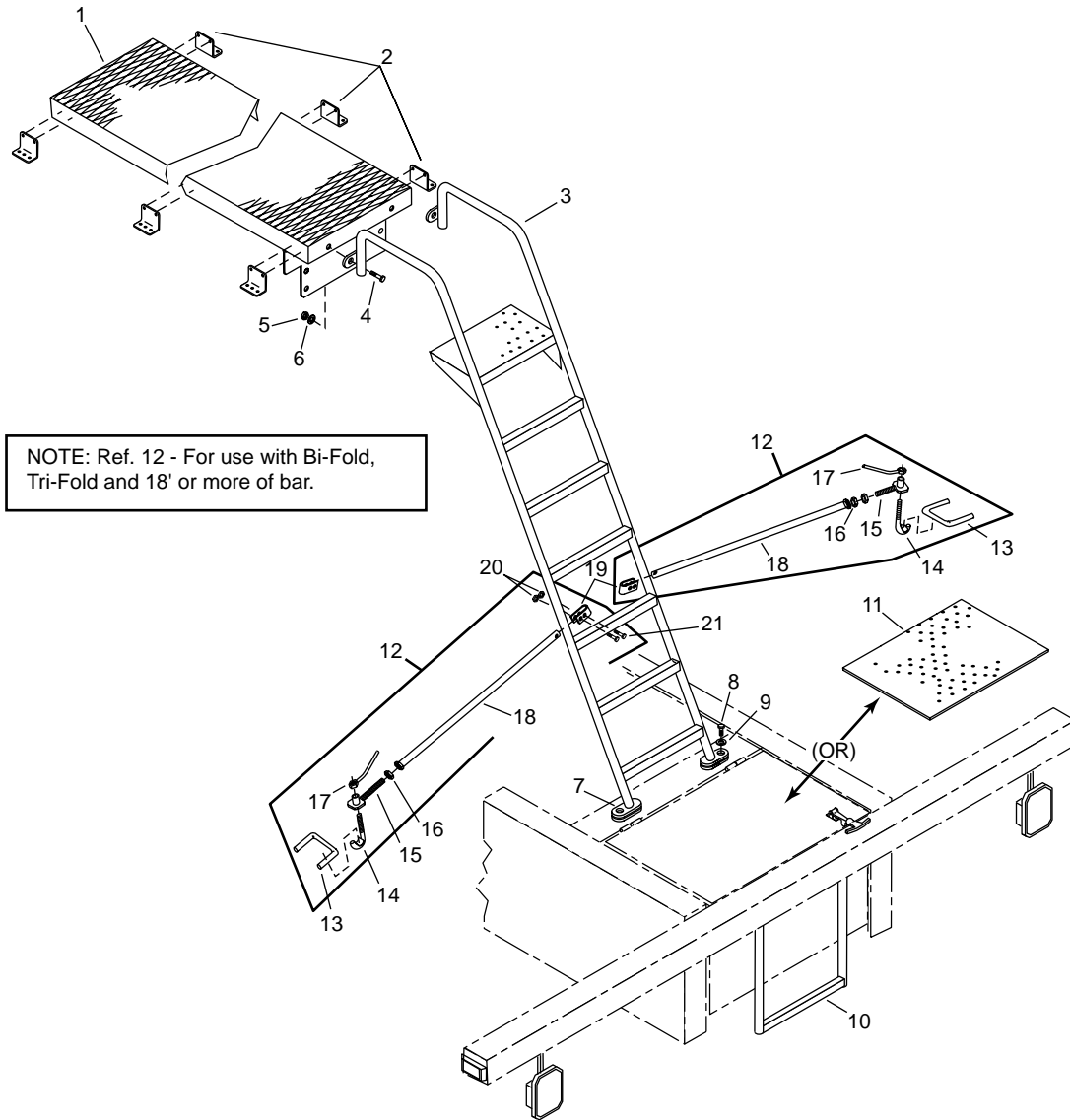
MANHOLE AND SPILLBOX ASSEMBLY

3301357



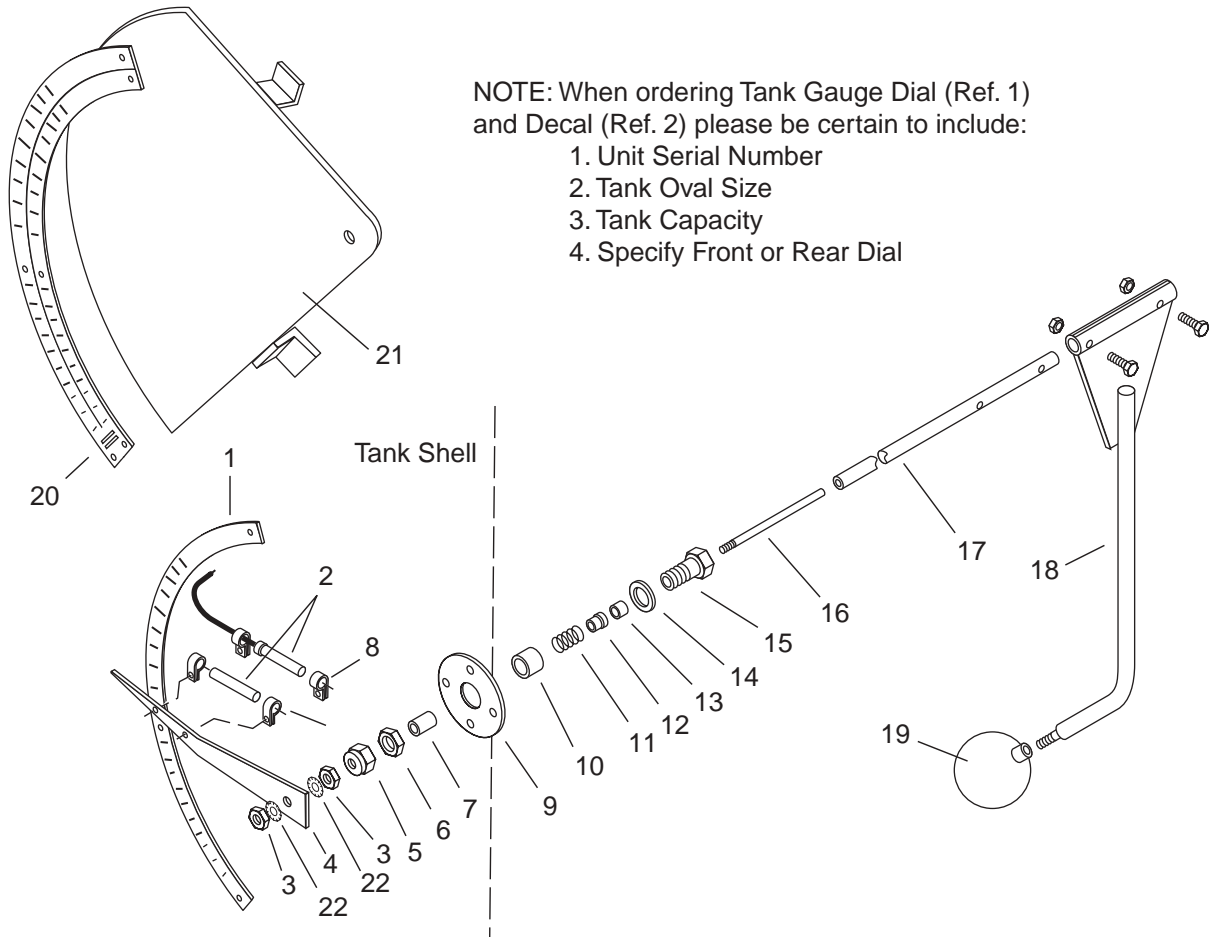
REF	PART NO.	QTY	DESCRIPTION	REF	PART NO.	QTY	DESCRIPTION
1	3390679	1	Plate-WARNING, MANHOLE	16	9301336	1	Spill Collar Overflow Installation
2	3390684	1	Decal-CAUTION, HOT SURFACE	17	3390666	1	Strainer Asm
3	9411727	1	Lock Nut-0.50NC	18	3390173	1	Strainer Asm - 6"
4	7230257	1	Strongback Asm	19	6309185	AR	2.00 ID Tube
5	2700241	1	Reinforcer	20	6600906	1	Hose Clamp, Worm Dr. 1.81 x 2.75
6	0444867	1	Plug-Auto, Hex Sock, 0.38NPTF	21	2700103	1	Bracket
7	2700248	1	Gasket (Included W/Ref# 8)	22	2700105	1	Mounting Asm
8	3301356	1	Cover Asm	23	0120376	2	Nut-0.31NC
9	0137204	2	Cotter Pin, 0.12 x 1.50	24	0120214	2	Lock Washer-0.31
10	2700233	1	Hinge Shaft	25	2700259	1	Aligment Bushing
11	6100376	AR	Wave Washer				
12	3301279	1	Collar Asm				
13	0122459	1	Screw-0.50NC x 2.00				
14	2700234	1	Cover Prop				
15	2700243	1	Hold Down Asm				
							AR - AS REQUIRED

LADDER ASSEMBLY



REF	PART NO.	QTY	DESCRIPTION	REF	PART NO.	QTY	DESCRIPTION
1	3301851	1	Walkway Asm	11	3301153	1	Floor Plate
2	3301310	6	Clip	12	3352808	2	Wing Lock Asm
3	3301264	1	Ladder Asm - 42 x 74 Oval	13	3350346	1	Bracket
	3301266	1	Ladder Asm - 47 x 78 Oval	14	3350347	1	Hook Asm
	3301268	1	Ladder Asm - 50 x 83 Oval	15	3350340	1	Support Asm
	3301150	1	Ladder Asm - 53 x 88 Oval	16	0426897	1	Nut-Hex, Jam , 0.75NC
	3301270	1	Ladder Asm - 59 x 89 Oval	17	3350795	1	Wing Nut Asm
	3301272	1	Ladder Asm - 65 x 90 Oval	18	3352803	1	Pipe Asm
	3301201	1	Ladder Asm - 70 x 92 Oval	19	3352804	1	Formed Plate
4	0120233	2	Screw-Hex, 0.38NC x 1.00	20	9411727	2	Nut-Hex, Lock, 0.50NC
5	0120377	2	Nut-Hex, 0.38NC				
6	0120382	2	Washer-Lock, 0.38				
7	3301144	4	Lug				
8	0122017	2	Screw-Hex, 0.31NC x 1.00				
9	0120214	2	Washer-Lock, 0.31				
10	3301197	1	Lower Ladder Asm				

TANK GAUGE ASSEMBLY

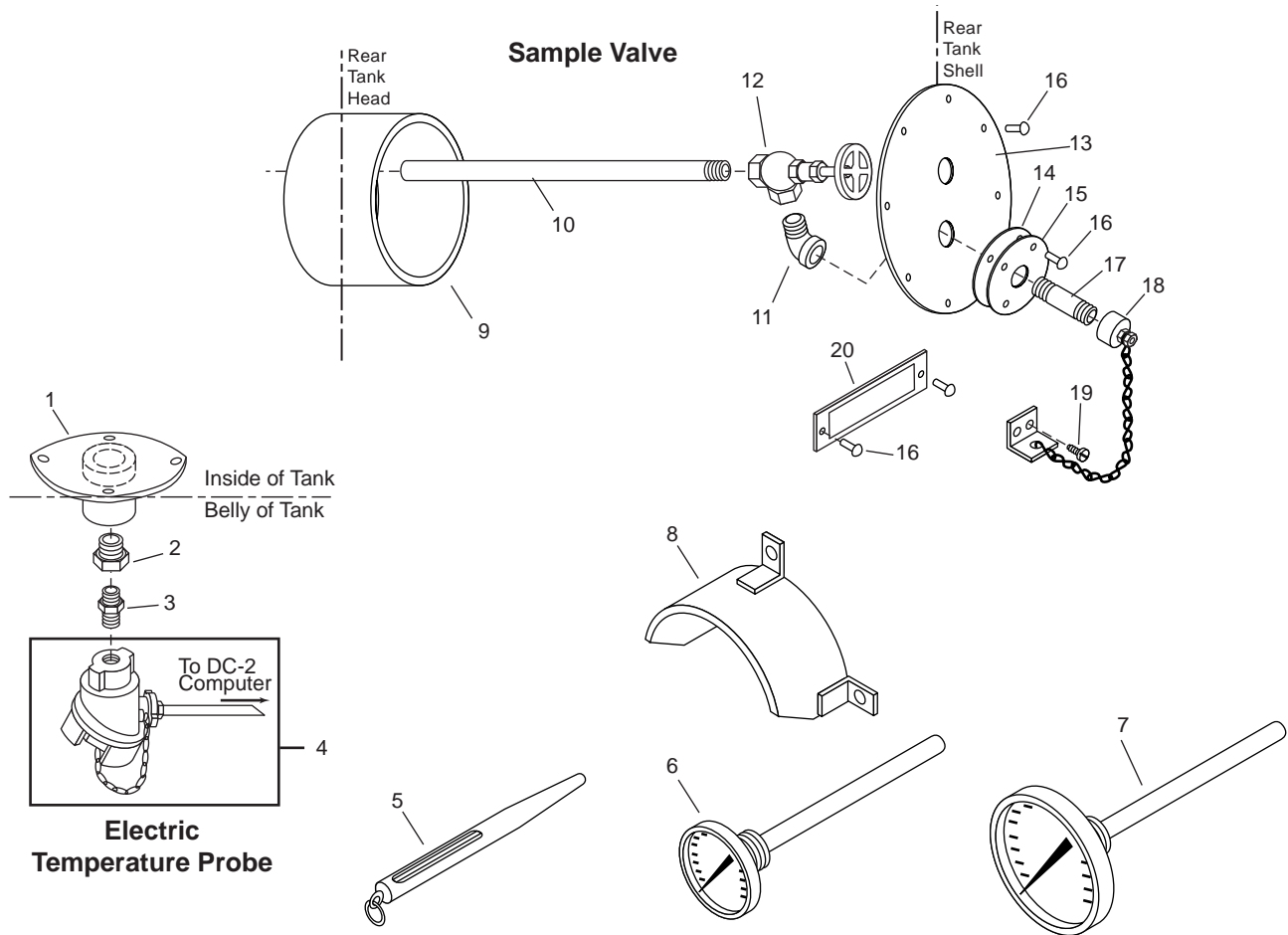


NOTE: When ordering Tank Gauge Dial (Ref. 1) and Decal (Ref. 2) please be certain to include:

1. Unit Serial Number
2. Tank Oval Size
3. Tank Capacity
4. Specify Front or Rear Dial

REF	PART NO.	QTY	DESCRIPTION	REF	PART NO.	QTY	DESCRIPTION
1	7230303	1	Front Dial - Stamped	18	3361054	1	Stem Asm, 47 x 78 Oval
	7230304	1	Rear Dial - Stamped		3361055	1	Stem Asm, 50x83 Oval
2	6701832	2	Switch-SPDT Magnetic, 3 AMP EF		3361056	1	Stem Asm, 53x88 Oval
3	0120366	2	Nut-Hex, 0.31NC, PD		3361057	1	Stem Asm, 59x89 Oval
4	3301181	1	Dial Pointer, Stainless Steel		3361058	1	Stem Asm, 65x90 Oval
5	3360828	1	Nut Asm-Packing Retainer		3361059	1	Stem Asm, 70x92 Oval
6	0426899	1	Nut-Hex, JAM, I.OONC	19	6600335	1	Float-Ball (Included W/Ref# 18)
7	3301164	1	Spacer	20	Serial No.	1	Dial-Dual Scale (Specify Unit Serial No.)
8	6000057	4	Clamp. 0.50 Rubber Tube	21	S1616AB	1	Plate Asm-Mounting, Tank Oval Smaller than 65 x 90
9	3341199	1	Cover-Jkt, Drive		S1793AC	1	Plate Asm-Mounting, 65 x 90 Tank Oval and Larger
10	3301352	1	Spacer	22	0138485	2	Washer-Lock,5/16, Ext Tooth
11	3360192	1	Spring				
12	3360187	1	Sleeve				
13	3360204	1	Packing				
14	3360825	1	Gasket-ASB				
15	3301163	1	Screw-Fitting, 1" NC.				
16	3360824	1	Shaft				
17	6303353	1	Pipe Asm-Sch 40, 0.25, Ft.				

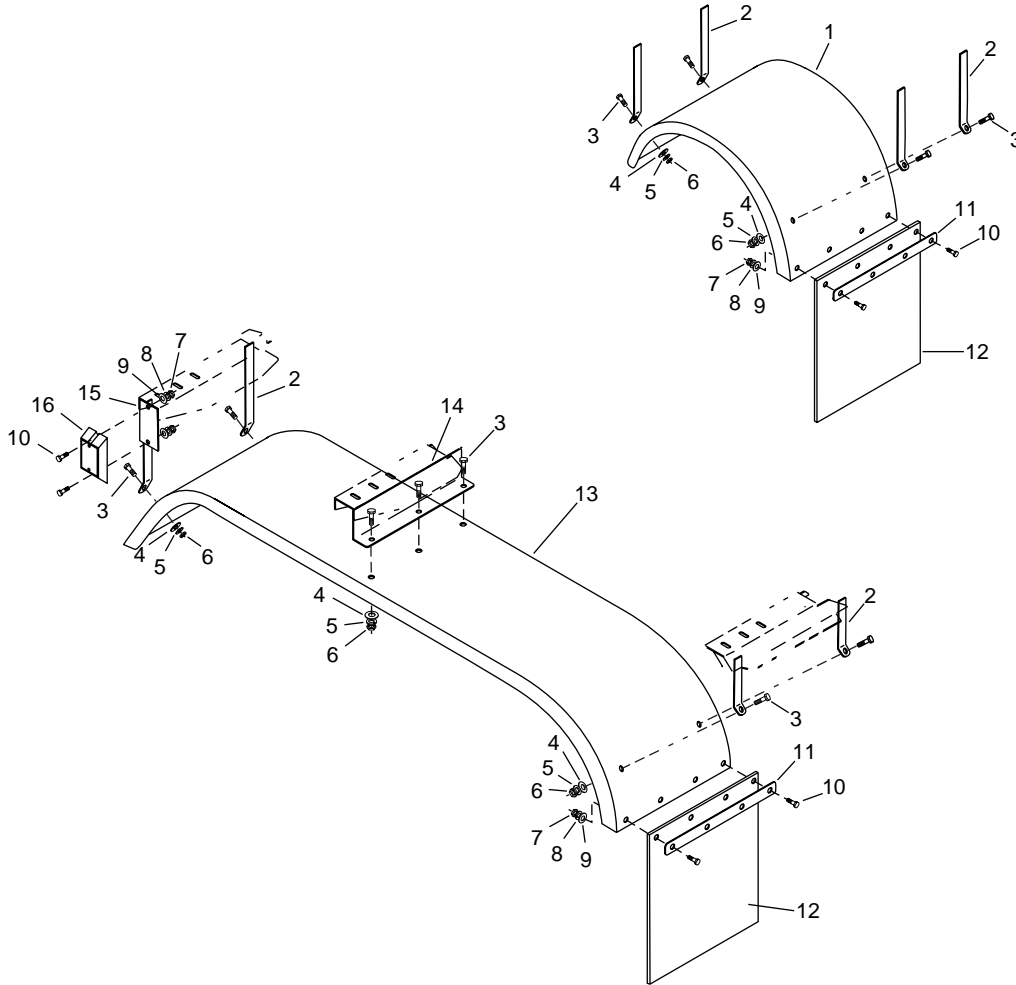
SAMPLE VALVE THERMOMETERS ELECTRIC TEMPERATURE PROBE



REF	PART NO.	QTY	DESCRIPTION	REF	PART NO.	QTY	DESCRIPTION
1	3300773	1	Ring-Finishing	11	0140798	1	Elbow-PP, 45, ST, 0.75NPT
2	0144034	1	Bushing-Pipe, 0.75 x 0.50NPT, PN	12	6600349	1	Valve-0.75, Angle, Crane #2
3	6601714	1	Adapter-Hyd, St, 08MP-08MP	13	3301003	1	Ring-Finish, Sample Valve
4	3370234	1	Thermocouple	14	2700162	1	Gasket-Sample Valve Outlet
5	6500034	1	Thermometer-Pencil, 50-600 Deg., Fahrenheit	15	2700161	1	Ring-Finish, Sample Valve Outlet
	6500035	1	Thermometer-Pencil, 10-315 Deg., Centigrade	16	6000690	12	Rivet-0.19Dr, 047Min-140Max
6	6500039	1	Thermometer-2" Dial, 9" Stem, 50-550Deg., Dual Scale (Fahrenheit & Centigrade)	17	0126168	1	Nipple-PP, Sch 40, 0.75 x 3.00, PN
7	6500038	1	Thermometer-5" Dial, 9" Stem, 50°-550°, Dual Scale (Fahrenheit & Centigrade)	18	2780038	1	Cap Asm (Includes: 6000345 Peerles 86041-881 Twin Loop Chain, 1Ft & one 2780027 Mounting Clip)
8	J8985AF	1	Cover Asm-4" Dial	19	9426128	2	Screw-Tap, PNSL, 0.25 x 0.50, AB
9	3301006	1	Well Asm-6" O.D.	20	3390531	1	Plate-Warning, Sampling Valve
10	6200324	1	Pipe-Sch 40, 0.75, TOE, Ft				

Specify Unit Serial No., Part No., & Part Description

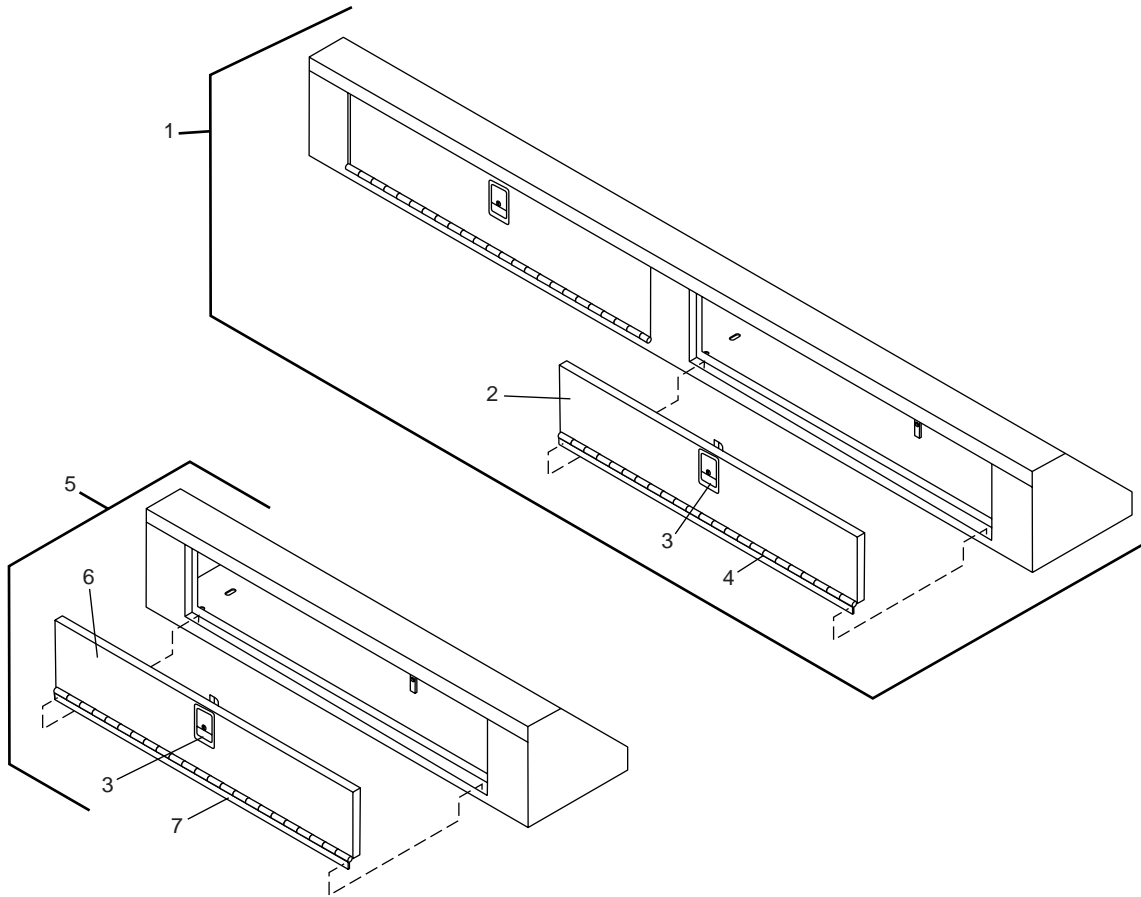
FENDER ASSEMBLIES



REF	PART NO.	QTY	DESCRIPTION	REF	PART NO.	QTY	DESCRIPTION
1	2750608	1	Single Fender - Alum	13	3311491	1	Tandem Fender - Alum, Long
2	3311427	4	Mounting Bracket	14	3311623	1	Bracket
3	0122017	AR	Screw, 0.31NC x 1.00	15	3370108	1	Light Bracket
4	0446363	AR	Flat Washer, 0.31	16	6700855	1	Clearance Light W/Amber Reflector
5	0120214	AR	Lock Washer, 0.31				
6	0120376	AR	Nut, 0.31NC				
7	0120375	AR	Nut, 0.25NC				
8	0120380	AR	Lock Washer, 0.25				
9	0120386	AR	Flat Washer, 0.25				
10	0121900	AR	Screw, 0.25NC x 1.00				
11	2710001	1	Bar				
12	6450095	1	Splash Guard, 24 x 20				

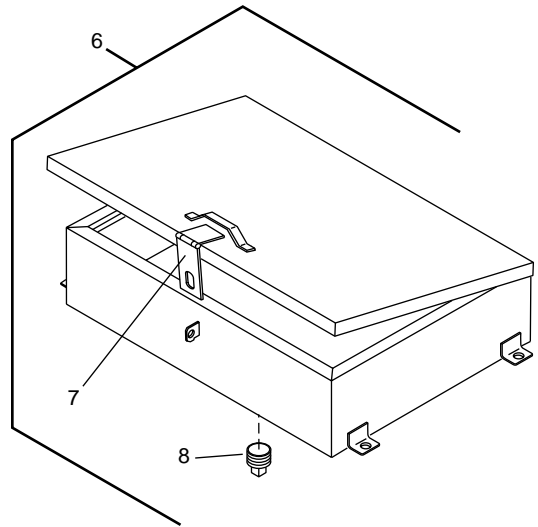
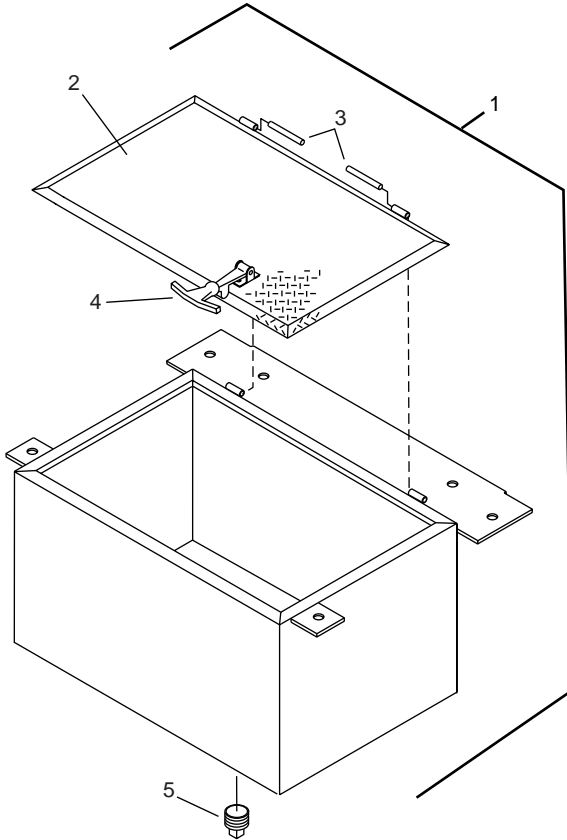
TOOL BOXES

Single and Tandem Axles



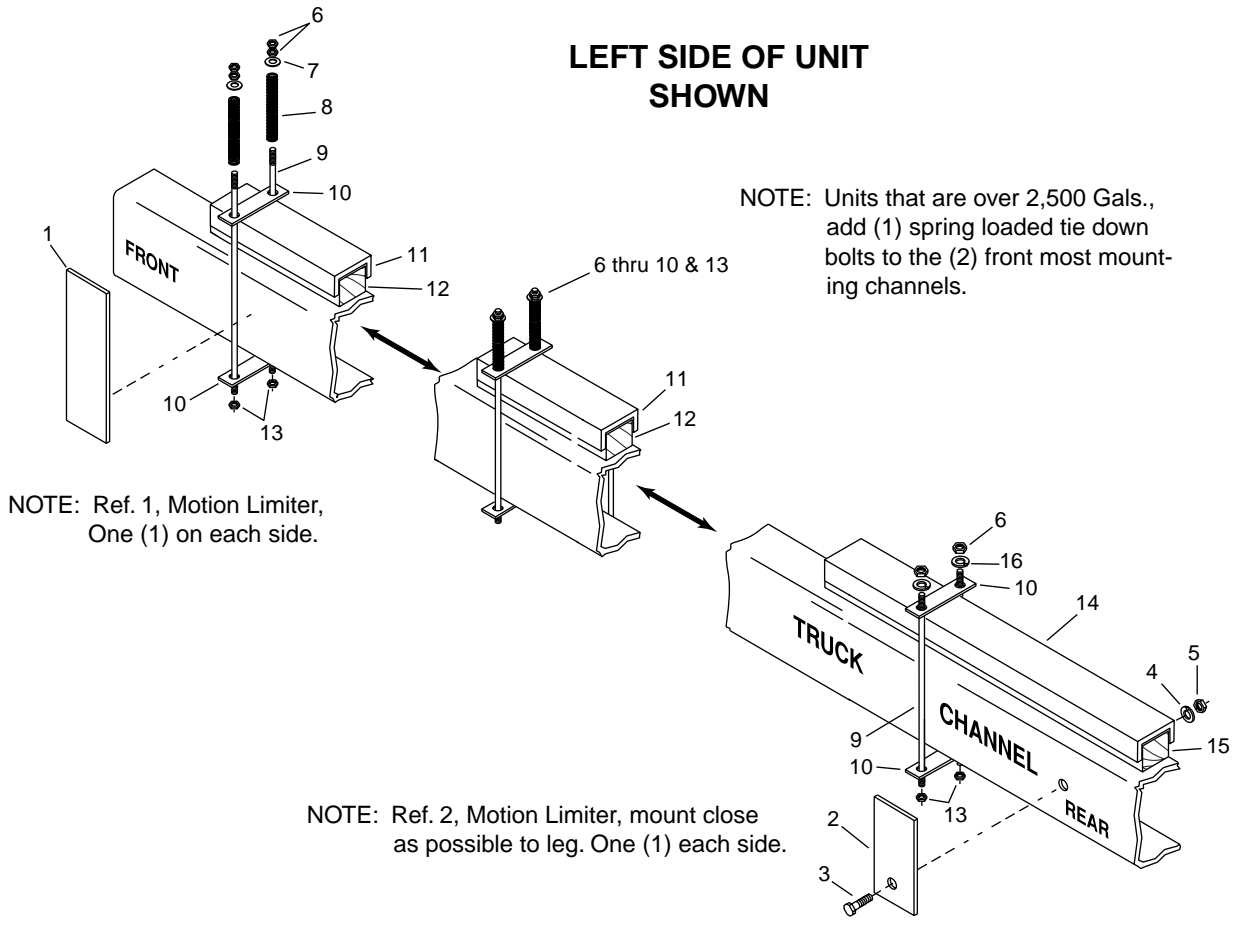
REF	PART NO.	QTY	DESCRIPTION	REF	PART NO.	QTY	DESCRIPTION
1	3311643	1	Toolbox Asm - LH, Tandem				
	3311644	1	Toolbox Asm - RH, Tandem				
2	3311647	2	Door				
3	6000255	AR	Lock-Tool Box				
	7215139	AR	Key-Tool Box Lock				
4	3311649	1	Hinge-Piano, 2"				
5	3311628	1	51" Toolbox Asm, LH				
	3311629	1	51" Toolbox Asm, RH				
	3311583	1	60" Toolbox Asm, LH				
	3311572	1	60" Toolbox Asm, RH				
6	3311624	1	Door - 51" Toolbox				
	3311569	1	Door - 60" Toolbox				
7	3311625	1	Hinge-Piano - 51" Toolbox				
	3311568	1	Hinge-Piano - 60" Toolbox				
							AR = As Required

BAR BOX ASSEMBLIES



REF	PART NO.	QTY	DESCRIPTION	REF	PART NO.	QTY	DESCRIPTION
1	3352684	1	Bar Box Asm				
2	3352678	1	Lid				
3	3352683	2	Pin-Hinge				
4	6001161	1	Latch-T Handle				
5	0219301	1	Plug-Pipe, SqHd, 0.75NPT				
6	3342424	1	Box Asm-Section Carrier				
7	6000308	1	Safety Hasp				
8	0219303	1	Plug-Pipe, SqHd, 1.00NPT				

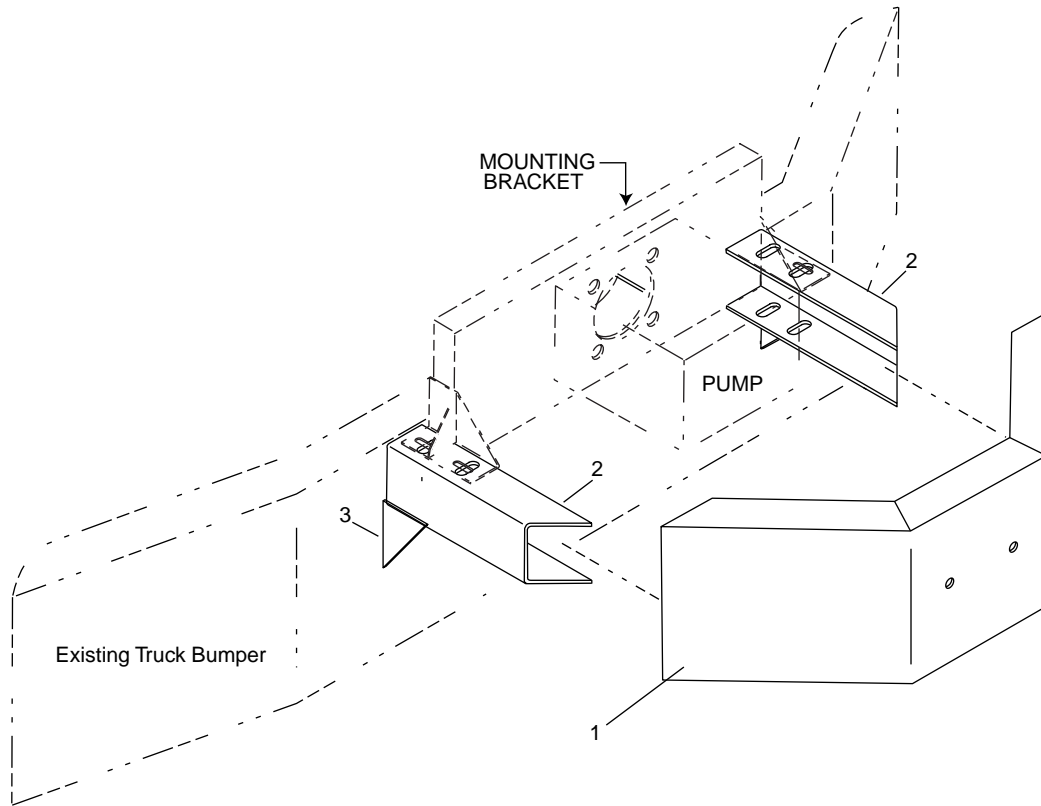
TANK MOUNTING



REF	PART NO.	QTY	DESCRIPTION	REF	PART NO.	QTY	DESCRIPTION
1	3311576	2	Channel-Tie Down Tank Mtg., 4 x 12	10	3310932	12	Plate-Tie Down, 3 1/2 + 3 3/4 Frame
2	3311617	2	Limiter-Fore/AFT	11	3310979	4	Retainer Asm-Wood 20 In. Lg.
3	6001115	2	Screw-Hex, 0.75NC x 2.25, GR8, PD	12	3311493	4	Wood-3 CHN, 2 High x 19.75 Lg.
4	0131046	2	Washer-Lock, 0.75, Spring, PD	13	9411727	12	Nut-Hex, Lock, 0.50NC, EA, PD
5	9414000	2	Nut-Hex, Lock, 0.75NC, GR8, PD	14	3301251	2	Retainer Asm-Wood 36 In. Lg.
6	0120378	20	Nut-Hex, 0.50NC, PD	15	3311612	2	Wood-3 CHN, 2 High x 35 3/4 Lg.
7	0120390	8	Washer-Flat, 0.50A W, PD	16	0120384	4	Washer-Lock, 0.50, Spring, PD
8	3310354	8	Spring-Comp., MIDWEST				
9	3300339	AR	Stud-Tie Down, Frm, 12 In.				
	3300338	AR	Stud-Tie Down, Frm, 14 In.				
	3300337	AR	Stud-Tie Down, Frm, 16 In.				
	3300336	AR	Stud-Tie Down, Frm, 18 In.				
	3300335	AR	Stud-Tie Down, Frm, 20 In.				
	3300623	AR	Stud-Tie Down, Frm, 21 In.				
	3301354	AR	Stud-Tie Down, Frm, 22 In.				
	3300671	AR	Stud-Tie Down, Frm, 21 Lg.				
	3300932	AR	Stud-Tie Down, Frm, 26 Lg.				

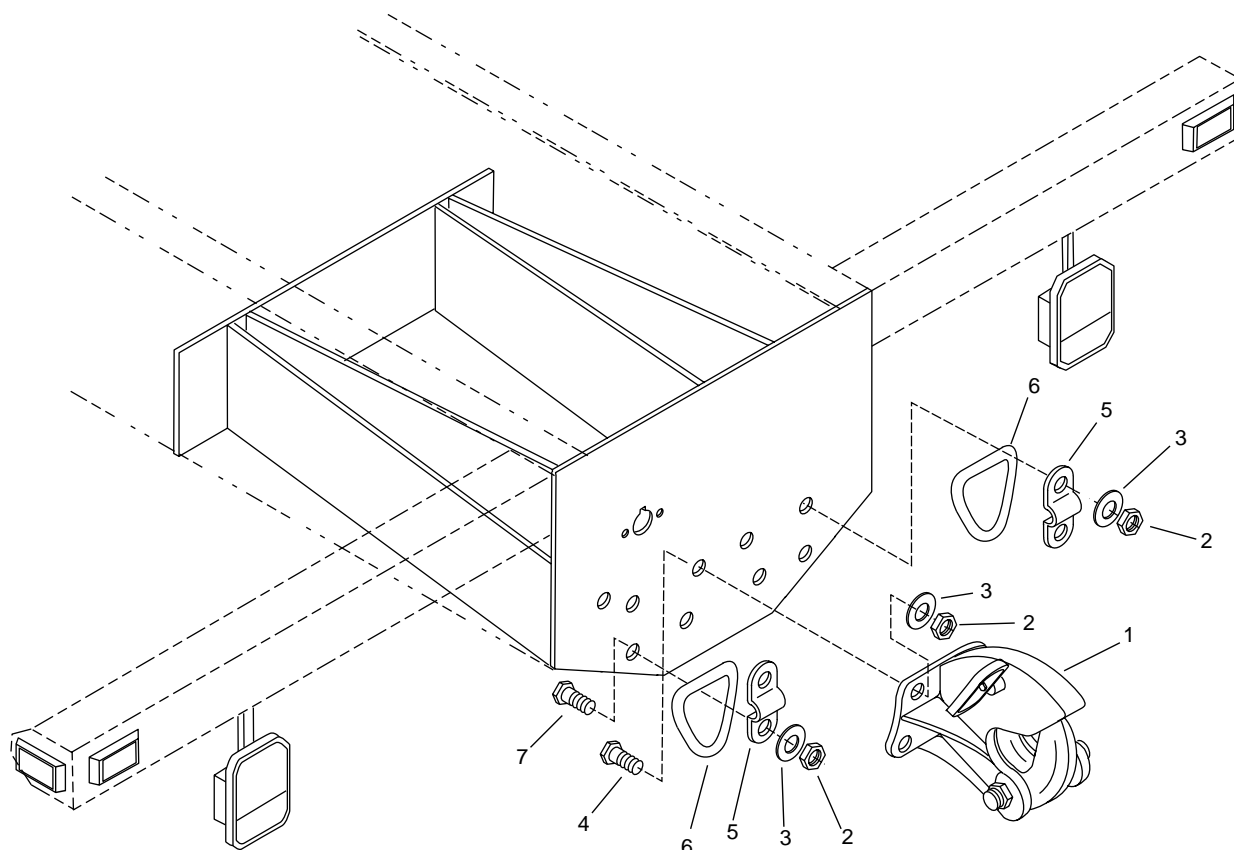
AR = AS REQUIRED

FRONT BUMPER ASSEMBLY



REF	PART NO.	QTY	DESCRIPTION	REF	PART NO.	QTY	DESCRIPTION
13321425		1	Bumper - 52"				
3321200		1	Bumper - 52"				
23321421		2	Channel - 5"				
33321007		2	Gusset				

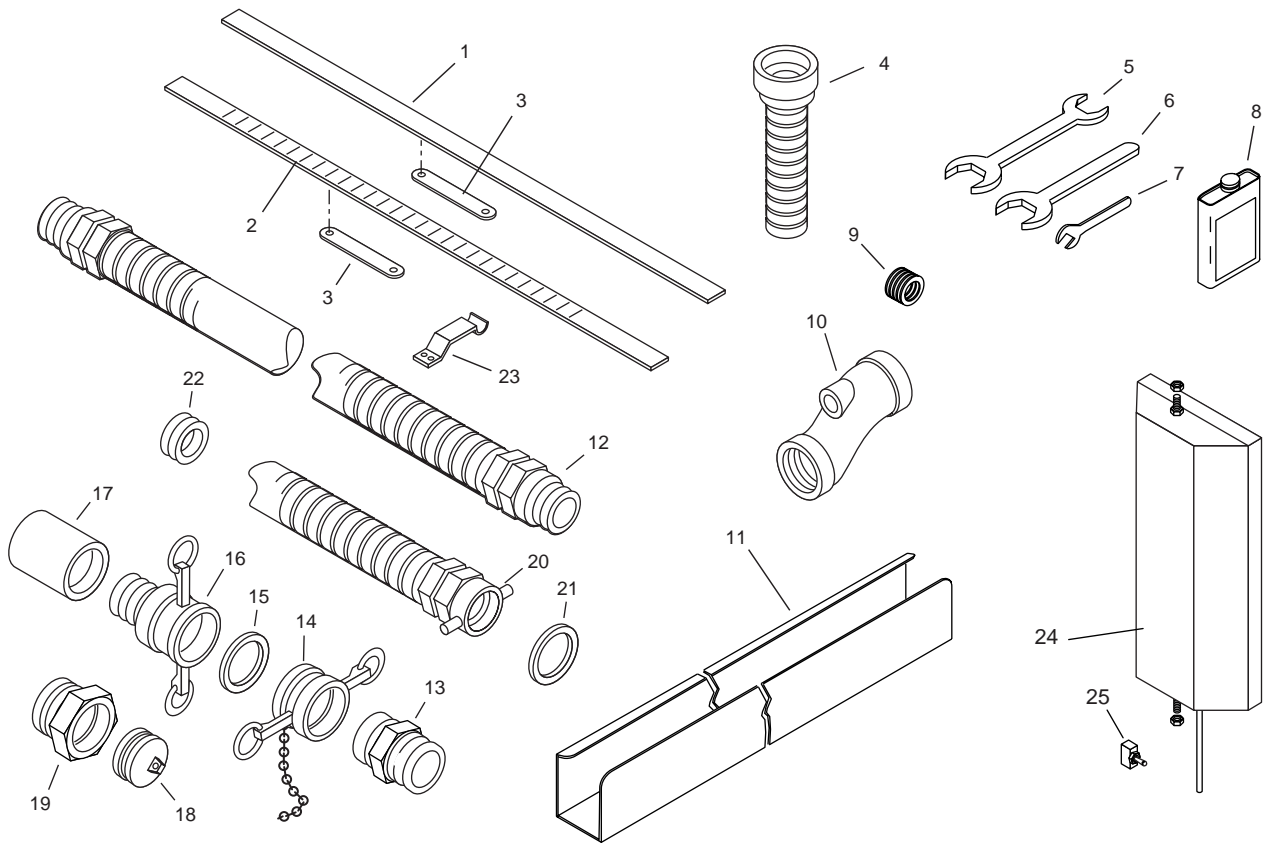
PINTLE HOOK



REF	PART NO.	QTY	DESCRIPTION	REF	PART NO.	QTY	DESCRIPTION
1	6001167	1	Pintle Hook				
2	9414000	8	Lock Nut, 0.75NC, GR8				
3	0131000	8	Flat Washer, 0.75				
4	0223529	4	Screw, 0.75NC x 2.50, GR8				
5	3300104	2	Lifting Bracket				
6	3300106	2	Lifting Ring				
7	6001115	4	Screw, 0.75NC x 2.25, GR8				

Specify Unit Serial No., Part No., & Part Description

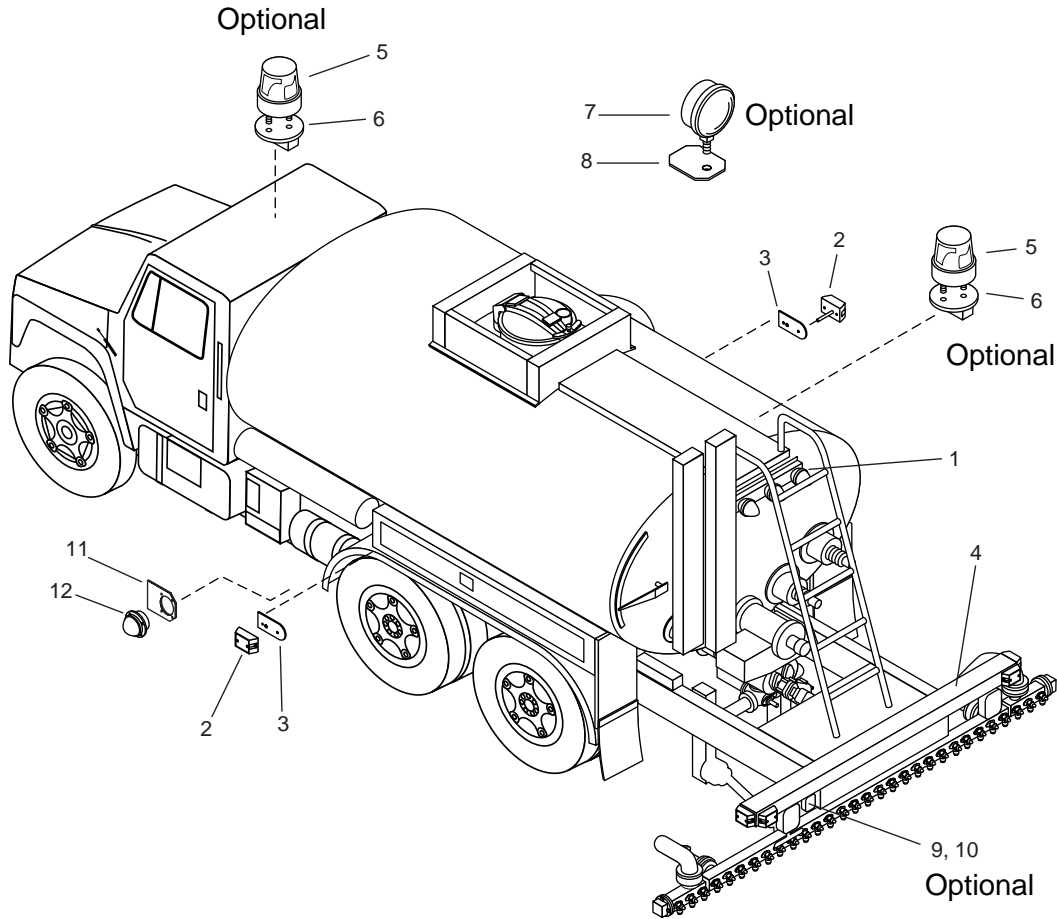
MISCELLANEOUS ATTACHMENTS AND TOOLS



REF	PART NO.	QTY	DESCRIPTION	REF	PART NO.	QTY	DESCRIPTION
1	S1616AE	1	Measuring Stick-Blank	10	3340040	1	3" Connector
2	Measuring Stick (1 Flue)			11	3380790	1	Hose Trough (Specify Unit Number)
	7230241	1	Measuring Stick, 42 x 74 (1 Flue)	12	6601926	1	Hose Asm-3.00 x 15 Ft.
	7230243	1	Measuring Stick, 47 x 78 (1 Flue)		6602576	1	Hose Asm-3.00 x 12 Ft.
	7230245	1	Measuring Stick, 50 x 83 (1 Flue)		7400004	1	Hose-3", Tiger, w/Male Nipp BE,Rub
	7230247	1	Measuring Stick, 53 x 88 (1 Flue)		6600443	1	Hose Asm-3 In X 20 Ft, M/M
	7230249	1	Measuring Stick, 59 x 89 (1 Flue)	13	6600152	1	Hose Connector-3"
	7230251	1	Measuring Stick, 65 x 90 (1 Flue)		6600282	1	Double Connector, 3", Alum
	7230253	1	Measuring Stick, 70 x 92 (1 Flue)	14	6600281	1	Dust Cap, 3", Alum W/Chain
	Measuring Stick (2 Flue)				6600250	1	Dust Cap, 3", Brass
	7230242	1	Measuring Stick, 42 x 74 (2 Flue)	15	6600279	1	Gasket-3" ID, Silicone
	7230244	1	Measuring Stick, 47 x 78 (2 Flue)	16	6600278	1	3" Coupler, Alum, Part B
	7230246	1	Measuring Stick, 50 x 83 (2 Flue)	17	6200059	1	Pipe Coupling-3.00NPT
	7230248	1	Measuring Stick, 53 x 88 (2 Flue)	18	6600280	1	3" Dust Plug, Alum.
	7230250	1	Measuring Stick, 59 x 89 (2 Flue)	19	6600277	1	3" Adapter, Alum, Part A
	7230252	1	Measuring Stick, 65 x 90 (2 Flue)	20	6600265	1	Hose Asm-3", T&A x 15' M/F Cplg
	7230254	1	Measuring Stick, 70 x 92 (2 Flue)		7400004	1	Hose-3", Tiger, W/Male Nipples BE
3	3390645	1	Label-Measuring Stick (1 Flue)	21	6600267	2	Gasket-3.50 x 2.88 x 0.13, ASB
	3390656	1	Label-Measuring Stick (2 Flue)	22	7220028	1	Cord-Norfab, 0.6"
4	3300036	1	Overflow Outlet Extention Asm	23	3310040	2	Bracket-Measuring Stick
5	3380459	1	Open End Wrench, 2"	24	6702464	1	Mirror-4 Way, Heated, Retractable
6	3380079	1	Union Wrench, 2"	25	7230372	1	Switch-4 Way (located in cab)
7	6000376	1	Armstrong Wrench				
8	7220056	1	Anti-Foam Concentrate, 1 Pint				
9	6600310	1	Packing Ring, 1.50 ID x 2.00 OD				

IDENTIFICATION AND CLEARANCE LIGHTS

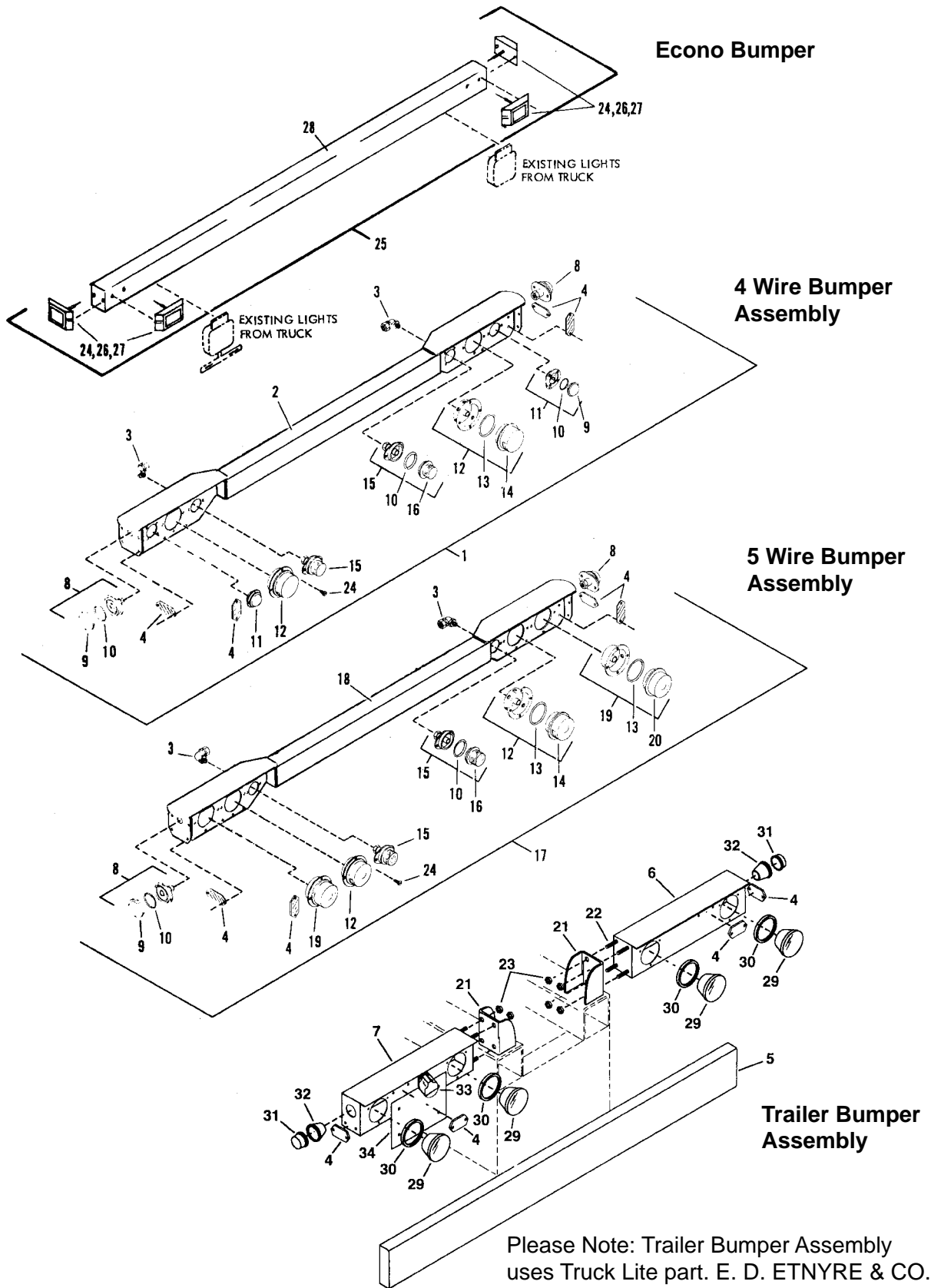
Note: When ordering Strobe Light and Bracket (and/ or) Flood Light and Bracket, Please Specify Unit Serial Number.



REF	PART NO.	QTY	DESCRIPTION	REF	PART NO.	QTY	DESCRIPTION
1	6700084	1	Identification Lamp	7	••••••	AR	Flood Lamp (Specify Serial Number)
	6700455	1	O Ring	8	••••••	AR	Mounting Bracket (Specify Serial No.)
	6700284	1	Red Lens	9	6701774	1	Electric Back-Up Horn, 12V
	6702225	1	Triple Bar Light	10	3370259	1	Mounting Bracket
2	6700855	2	Light-Clearance, w/Reflect, Amber	11	3370047	1	Bracket-Frt Clear, Env Mtg
3	3370108	2	Bracket-Light, Clearance, Front	12	6700038	1	Clear Light, 12V
4	3370757	1	Bumper Asm - 4 Wire Conduit		6700229	1	O Ring
	3370758	1	Bumper Asm - 5 Wire Conduit		6700082	1	Lens
	3370059	1	Bumper Asm - Env. Trailer				AR = As Required
	3311340	1	Bumper Asm - Economy				
5	••••••	AR	Strobe Light (Specify Serial Number)				
6	••••••	AR	Mounting Bracket(Specify Serial No.)				

Specify Unit Serial No., Part No., & Part Description

REAR BUMPER ASSEMBLIES



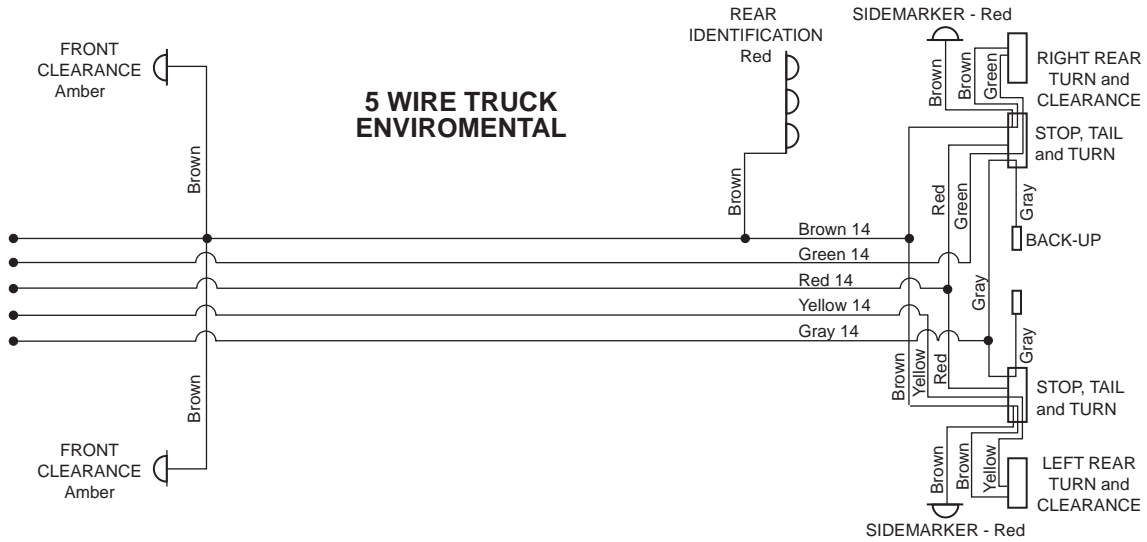
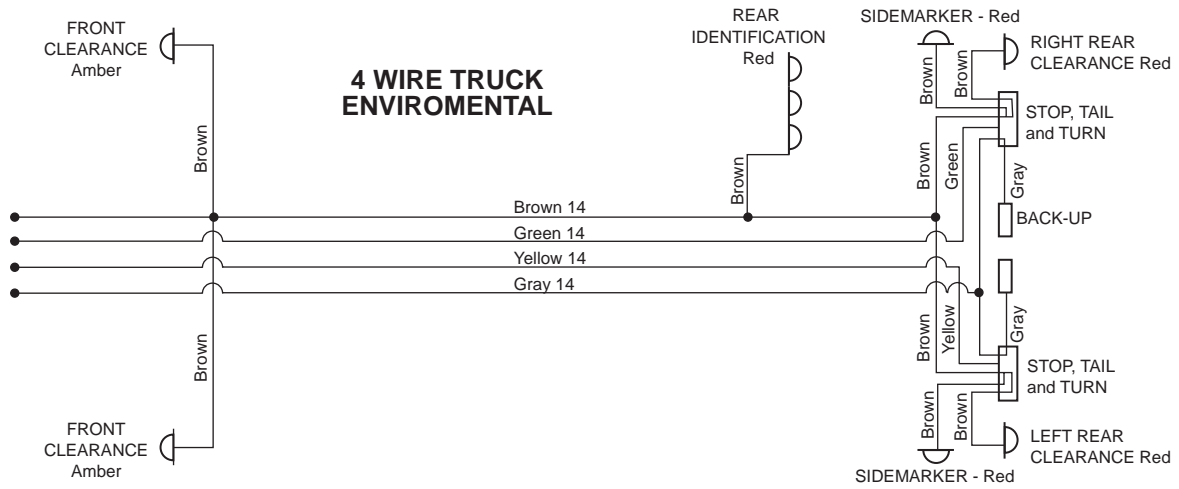
REAR BUMPER ASSEMBLIES

REF	PART NO.	QTY	DESCRIPTION	REF	PART NO.	QTY	DESCRIPTION
1	3370757	1	Bumper Asm - 4 Wire Conduit				
2	3312136	1	Frame Asm				
3	6701076	2	Elbow-Auto, 90, 04MP-06T Poly				
4	6000686	4	Red Reflector				
5	2780432	1	Bumper Asm				
6	2770093	1	Light Box - RH				
7	2770096	1	Light Box - LH				
8	6700037	2	Clearance Light, 12V				
9	6700083	2	Lens-Red				
10	6700230	AR	O Ring				
11	6700039	2	Clearance Light, 12V				
12	3310888	2	Light Asm - Stop, Turn, Tail & License				
13	6700229	AR	O Ring				
14	6700080	2	Lens				
15	6701073	2	Light Asm-Backup				
16	6701074	2	Lens				
17	3370758	1	Bumper Asm - 5 Wire Conduit				
18	3312137	1	Frame Asm				
19	3310889	2	Light Asm - Turn & Clearance				
20	6700081	2	Lens				
21	2770074	2	Mounting Bracket				
22	0180124	8	Screw-0.38NC x 1.25, GR5				
23	0274993	8	Lock Nut-0.38NC				
24	0447835	AR	Tap Screw, PNSL, 10NF x 0.50, F, PD				
25	3311340	1	Bumper Asm-Complete, Econo				
26	6700854	4	Clearance Light				
27	6000721	4	Grommet				
28	3311339	1	Bumper Asm				
29	*40242R	4	Model Super 40-Red, Stop, Turn & Tail				
30	*40700	4	Model 40 Mounting Grommet				
31	*10208R	2	Super 10 Lamp Light				
32	*10708	2	Grommet - 2.50 Lamp				
33	*15011	1	Model 15 License Lamp Asm				
34	2770071	1	License Plate Support				

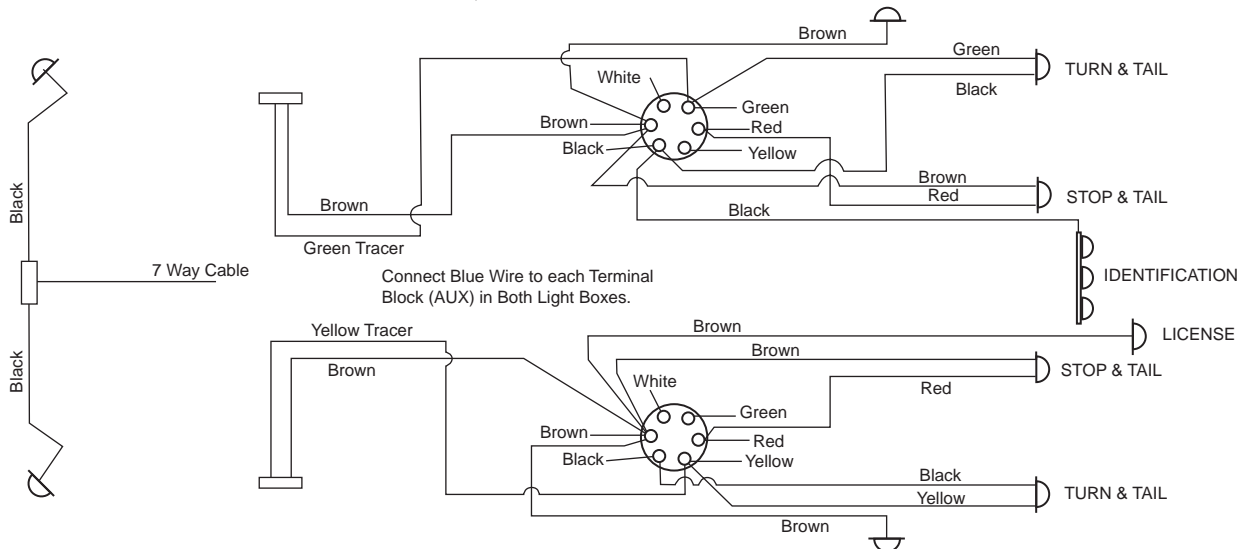
NOTE:

*Ref. 29, 30, 31, 32 & 33 are TRUCK-LITE parts. E. D. ETNYRE & CO. cannot replace these parts. For replacement TRUCK-LITE parts please contact your nearest TRUCK-LITE Dealer.

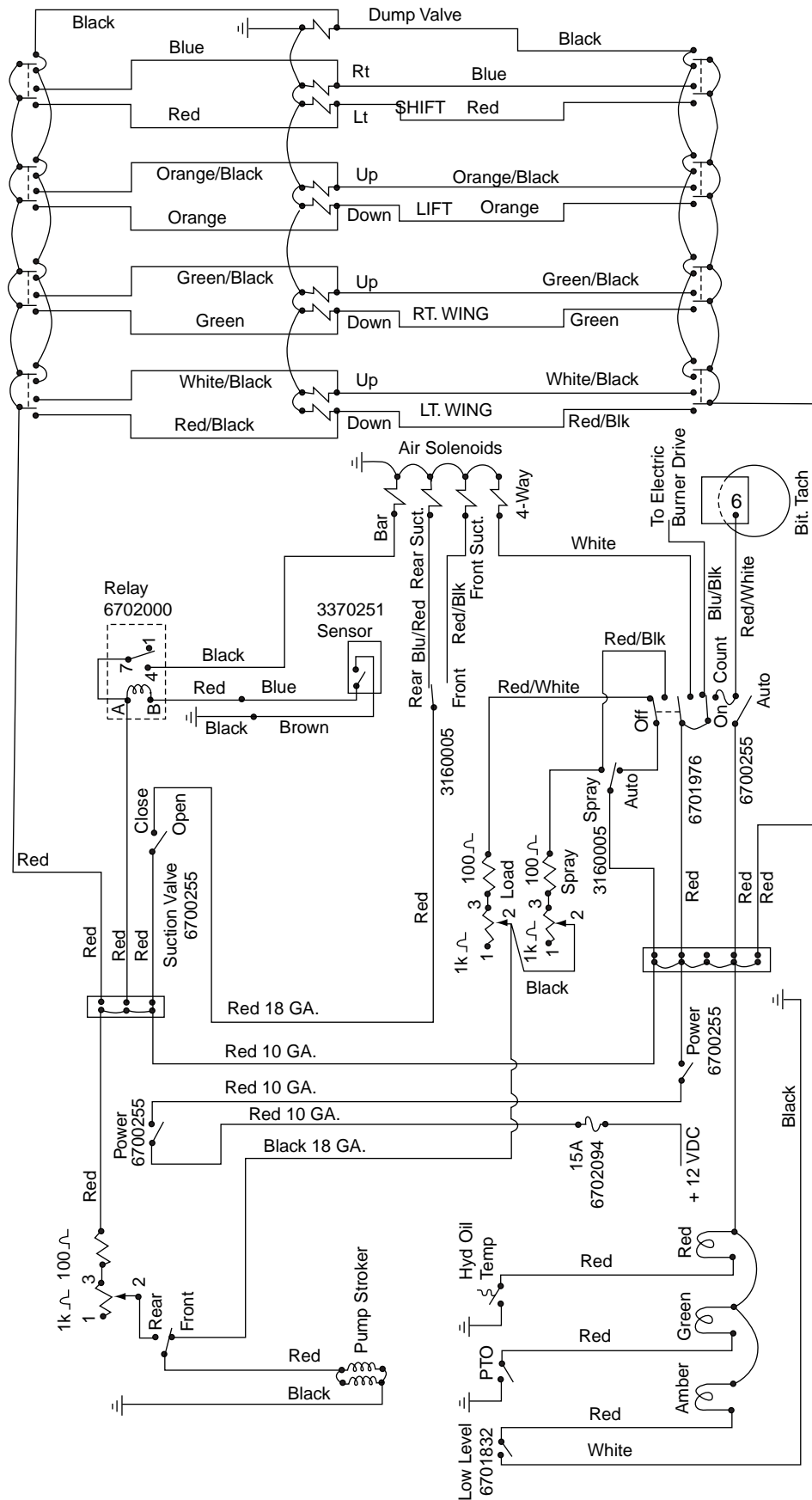
WIRING DIAGRAMS - LIGHTING



TRUCK LITE, 4 LAMP - 9301227

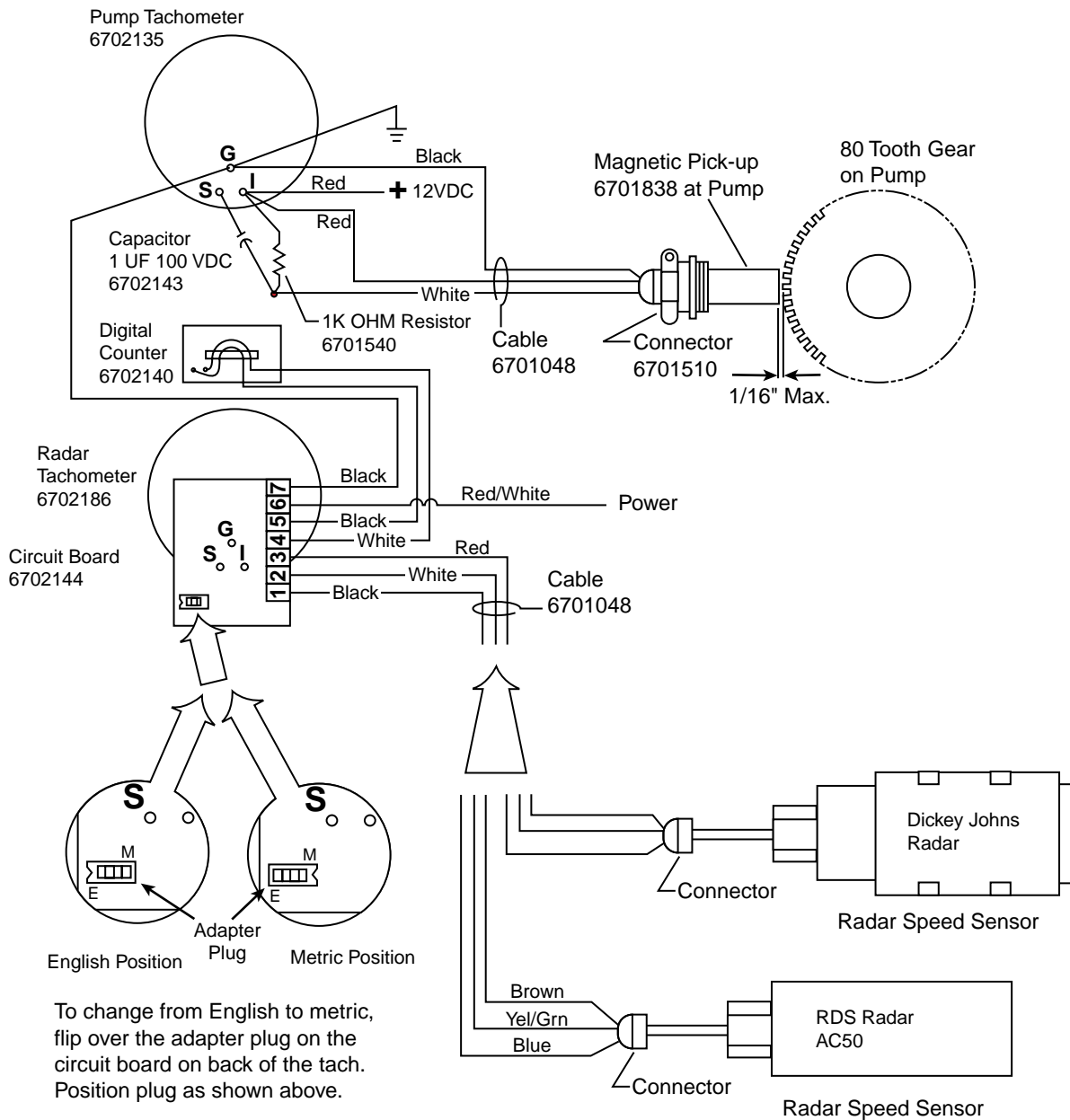


WIRING SCHEMATIC - BASIC DISTRIBUTOR



WIRING SCHEMATIC - RADAR AND PUMP TACHOMETERS

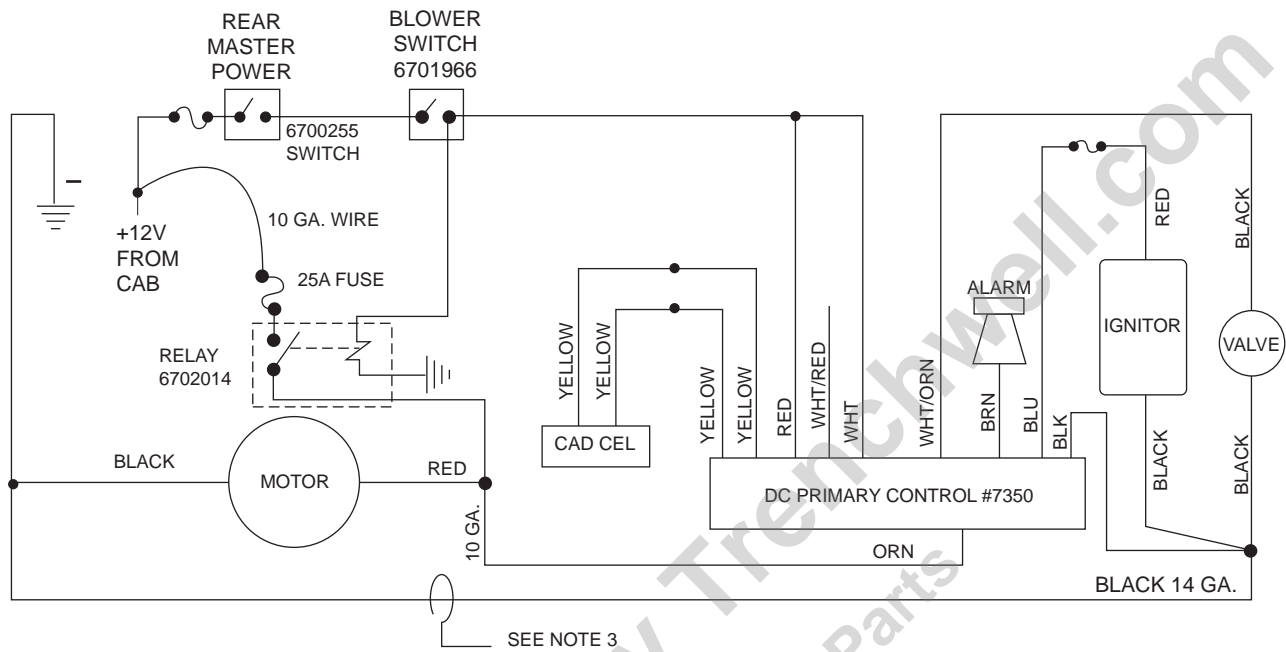
Electric Analog Gauges with Magnetic Pick Up



WIRING SCHEMATIC - FUEL OIL BURNERS

WIRING DIAGRAM WITH PRIMARY CONTROL

(1) BURNER SHOWN



NOTES:

1. All wires to be 14 gauge minimum or as required to prevent voltage drop between battery and burner.
2. Fuse recommendation:
 Motor - 30A
 Control - 10A
3. Hard wire ground to battery. **Do Not Use Chassis Ground System.**

INDEX

Part No.	Page No.	Part No.	Page No.	Part No.	Page No.	Part No.	Page No.	Part No.	Page No.
10208R	77	0118750	60	0120377	23	0120388	33	0122466	40
40242R	77	0118755	44	0120377	30	0120388	35	0124589	7
J8985AF	67	0118755	53	0120377	33	0120388	37	0124589	8
PD10253	12	0118755	55	0120377	35	0120388	51	0124589	12
PD10441	53	0118755	56	0120377	48	0120388	52	0124589	13
S1283AD	15	0118755	59	0120377	51	0120390	22	0125947	18
S1616AB	66	0119097	51	0120377	52	0120390	40	0125988	15
S1616AE	74	0119097	52	0120377	65	0120390	71	0126168	67
S1761AK	15	0119100	15	0120378	12	0120426	16	0126177	59
S1793AC	66	0119920	46	0120378	13	0120689	44	0127874	15
10708	77	0119920	47	0120378	22	0120704	53	0128003	15
15011	77	0119920	51	0120378	25	0120706	53	0128003	22
40700	77	0119931	51	0120378	27	0120706	54	0128003	23
0102581	15	0119931	52	0120378	35	0120706	62	0128003	27
0102582	18	0119931	61	0120378	40	0120755	59	0130999	12
0102615	30	0120128	51	0120378	71	0120918	51	0130999	13
0103374	33	0120128	52	0120380	15	0120918	52	0131000	73
0103374	35	0120214	19	0120380	48	0121207	53	0131044	59
0103409	41	0120214	33	0120380	55	0121207	62	0131046	71
0103615	20	0120214	35	0120380	56	0121208	51	0133046	33
0105404	53	0120214	37	0120380	59	0121358	40	0133046	35
0105405	44	0120214	40	0120380	68	0121358	41	0133046	37
0105405	47	0120214	53	0120382	9	0121574	12	0134530	59
0105405	51	0120214	64	0120382	10	0121574	13	0137185	33
0105405	53	0120214	65	0120382	20	0121758	59	0137185	44
0105405	62	0120214	68	0120382	22	0121852	33	0137204	40
0105407	51	0120233	9	0120382	23	0121852	35	0137204	64
0105407	52	0120233	10	0120382	29	0121852	37	0138105	51
0105413	46	0120233	20	0120382	30	0121867	59	0138207	51
0105413	47	0120233	53	0120382	31	0121887	39	0138207	52
0105417	44	0120233	65	0120382	33	0121887	43	0140798	67
0105417	46	0120237	57	0120382	35	0121887	44	0141621	15
0105417	47	0120238	53	0120382	48	0121887	53	0141621	22
0105417	51	0120280	51	0120382	51	0121887	55	0141621	23
0105417	53	0120333	43	0120382	52	0121887	56	0141621	27
0105420	60	0120366	66	0120382	65	0121900	48	0144033	52
0105422	53	0120371	18	0120384	16	0121900	68	0144034	51
0105423	33	0120371	44	0120384	22	0121913	9	0144034	67
0105423	44	0120375	15	0120384	25	0121913	10	0144036	42
0105423	51	0120375	39	0120384	27	0121913	15	0144045	51
0105423	52	0120375	48	0120384	35	0121926	19	0144066	25
0108686	51	0120375	55	0120384	40	0121954	19	0144066	27
0109421	51	0120375	56	0120384	71	0122007	19	0144068	56
0110456	12	0120375	59	0120386	12	0122007	53	0144068	60
0110456	13	0120375	68	0120386	15	0122017	40	0144068	61
0111305	42	0120376	33	0120386	19	0122017	53	0144613	15
0111661	45	0120376	35	0120386	43	0122017	65	0173206	48
0115253	48	0120376	37	0120386	44	0122017	68	0180024	18
0118750	44	0120376	40	0120386	48	0122119	20	0180124	15
0118750	51	0120376	64	0120386	51	0122267	13	0180124	33
0118750	52	0120376	68	0120386	52	0122394	40	0180124	35
0118750	55	0120377	9	0120386	68	0122433	35	0180124	77
0118750	56	0120377	10	0120388	9	0122459	22	0180151	18
0118750	59	0120377	22	0120388	10	0122459	64	0180151	33

INDEX

Part No.	Page No.	Part No.	Page No.	Part No.	Page No.	Part No.	Page No.	Part No.	Page No.
0180175	15	0447835	77	2960203	25	3301207	19	3311568	69
0180177	40	0454085	56	2960203	27	3301208	15	3311569	69
0180183	40	0454085	60	2960210	42	3301208	19	3311572	69
0186679	22	0454109	55	3110034	23	3301209	15	3311583	69
0186679	23	0454109	56	3160005	7	3301209	16	3311593	40
0186679	29	0454109	59	3160005	8	3301251	71	3311612	71
0186679	30	0454121	55	3160005	9	3301264	65	3311617	71
0190700	51	0454121	56	3160005	10	3301266	65	3311623	68
0215915	25	0454121	57	3160005	11	3301268	65	3311624	69
0215915	27	0454121	59	3160005	79	3301270	65	3311625	69
0218237	42	0454121	60	3170013	22	3301272	65	3311628	69
0219189	15	0454904	22	3170013	23	3301279	64	3311629	69
0219189	46	0454904	23	3170013	29	3301306	25	3311639	48
0219189	47	0454904	30	3170013	30	3301306	27	3311642	9
0219191	51	2630080	62	3170021	22	3301307	25	3311642	10
0219191	52	2630163	62	3170021	23	3301307	27	3311643	69
0219191	55	2630370	59	3170021	29	3301307	46	3311644	69
0219191	56	2630584	59	3170021	30	3301308	46	3311647	69
0219191	62	2630585	59	3180654	42	3301309	25	3311649	69
0219301	25	2630586	59	3300036	74	3301309	27	3311651	41
0219301	27	2640725	20	3300045	59	3301310	65	3311654	39
0219301	70	2640726	20	3300104	73	3301331	63	3311654	41
0219303	70	2660101	59	3300106	73	3301332	63	3311655	41
0219309	31	2660142	15	3300335	71	3301335	63	3311656	41
0219309	37	2660156	15	3300336	71	3301336	63	3312136	77
0219357	25	2700103	64	3300337	71	3301336	63	3312137	77
0219357	27	2700105	64	3300338	71	3301337	63	3320411	33
0220088	41	2700161	67	3300339	71	3301337	63	3321007	72
0223529	73	2700162	67	3300623	71	3301338	63	3321014	29
0272123	33	2700233	64	3300671	71	3301338	63	3321031	7
0272123	35	2700234	64	3300773	67	3301339	63	3321031	8
0274253	23	2700241	64	3300932	71	3301339	63	3321031	9
0274253	27	2700243	64	3301003	67	3301340	63	3321031	10
0274637	17	2700248	64	3301006	67	3301342	63	3321200	72
0274993	53	2700259	64	3301144	65	3301352	66	3321306	9
0274993	77	2710001	68	3301150	65	3301354	71	3321306	10
0281839	53	2740137	16	3301153	65	3301356	64	3321307	9
0426370	31	2740137	17	3301156	25	3301851	65	3321307	10
0426370	33	2740165	16	3301156	27	3310040	74	3321308	9
0426370	35	2740175	16	3301156	46	3310354	71	3321308	10
0426897	37	2740354	17	3301157	25	3310888	77	3321323	27
0426897	65	2740371	33	3301157	27	3310889	77	3321330	22
0426899	33	2740371	35	3301157	46	3310932	71	3321332	22
0426899	35	2750166	59	3301158	25	3310979	71	3321332	23
0426899	39	2750597	16	3301158	27	3311339	77	3321374	25
0426899	40	2750597	17	3301158	46	3311340	75	3321386	25
0426899	66	2750597	17	3301163	66	3311340	77	3321386	27
0432903	12	2750608	68	3301164	66	3311425	41	3321391	25
0432903	59	2770071	77	3301181	66	3311427	68	3321391	27
0436665	59	2770074	77	3301195	15	3311477	51	3321414	22
0436732	45	2770093	77	3301197	65	3311478	51	3321421	72
0443139	35	2770096	77	3301199	15	3311491	68	3321422	23
0444867	64	2780038	67	3301200	15	3311493	71	3321423	22
0446363	68	2780432	77	3301201	65	3311502	48	3321424	22

INDEX

Part No.	Page No.	Part No.	Page No.	Part No.	Page No.	Part No.	Page No.	Part No.	Page No.
3321424	23	3331870	56	3341420	16	3350324	37	3352245	33
3321425	72	3331875	47	3341421	15	3350340	65	3352245	35
3321426	22	3331875	55	3341421	16	3350346	65	3352260	33
3321426	23	3331875	56	3341424	16	3350347	65	3352260	35
3321429	30	3331875	60	3341441	15	3350455	35	3352358	33
3321431	30	3331877	59	3341441	18	3350567	33	3352368	33
3321453	23	3331878	59	3341442	15	3350708	33	3352368	35
3321905	25	3331879	56	3341444	18	3350785	40	3352368	37
3321905	27	3331879	59	3341446	18	3350795	65	3352368	38
3330001	61	3331880	56	3341447	18	3350917	40	3352387	33
3330002	62	3331881	56	3341455	16	3350918	40	3352387	35
3330003	62	3331881	59	3341456	16	3350919	40	3352399	37
3330026	25	3331882	59	3341462	20	3351005	37	3352476	33
3330026	27	3331883	59	3341463	20	3351008	33	3352483	33
3330077	55	3331884	59	3341464	18	3351008	35	3352483	35
3330185	55	3331885	55	3341470	18	3351008	38	3352581	35
3330185	56	3331886	56	3341475	15	3351009	33	3352581	37
3330277	62	3331886	60	3341476	15	3351009	35	3352591	33
3330293	57	3331887	53	3341481	15	3351009	37	3352591	35
3330296	61	3331898	56	3341482	15	3351009	38	3352591	39
3330297	61	3331899	60	3341491	16	3351010	33	3352591	40
3330298	61	3340004	15	3341491	17	3351010	35	3352592	33
3330356	62	3340022	19	3341492	16	3351010	37	3352592	35
3330462	62	3340023	19	3341497	17	3351010	38	3352595	33
3331034	57	3340024	19	3341499	17	3351013	33	3352595	35
3331035	57	3340025	19	3341500	17	3351013	35	3352605	33
3331036	55	3340029	18	3341513	16	3351013	37	3352605	35
3331036	56	3340033	15	3341514	16	3351013	38	3352607	33
3331036	62	3340039	15	3341553	20	3351014	33	3352607	35
3331073	55	3340040	74	3341555	20	3351014	35	3352610	31
3331073	56	3340041	15	3341557	20	3351014	37	3352610	33
3331073	59	3340043	15	3341558	20	3351014	38	3352610	35
3331076	57	3340045	19	3341559	20	3351015	33	3352611	31
3331086	55	3340277	20	3341627	15	3351015	35	3352614	31
3331086	56	3340279	20	3341646	20	3351015	37	3352614	33
3331108	55	3340287	20	3341647	20	3351015	38	3352614	35
3331108	56	3340298	20	3341653	15	3351620	33	3352615	33
3331108	59	3340515	15	3341653	16	3351620	35	3352615	35
3331196	55	3340519	15	3341659	31	3351787	33	3352615	37
3331200	55	3341078	15	3341663	31	3351787	35	3352622	37
3331257	53	3341117	16	3341667	31	3352204	33	3352624	33
3331263	53	3341187	18	3341671	31	3352204	35	3352624	35
3331270	53	3341199	66	3341675	31	3352204	37	3352627	37
3331277	53	3341216	20	3341698	20	3352204	38	3352637	37
3331296	57	3341364	19	3341699	15	3352205	33	3352660	41
3331299	57	3341397	19	3341961	19	3352205	35	3352662	31
3331300	57	3341411	40	3341964	15	3352205	37	3352663	31
3331308	53	3341411	41	3341965	15	3352205	38	3352668	40
3331362	55	3341412	15	3342424	70	3352205	45	3352668	41
3331382	62	3341412	16	3350316	33	3352210	33	3352672	40
3331867	25	3341414	16	3350316	35	3352210	35	3352672	41
3331867	27	3341416	16	3350316	37	3352210	37	3352678	70
3331867	46	3341418	16	3350324	33	3352210	38	3352683	70
3331870	55	3341419	16	3350324	35	3352222	15	3352684	70

INDEX

Part No.	Page No.	Part No.	Page No.	Part No.	Page No.	Part No.	Page No.	Part No.	Page No.
3352685	33	3352803	65	3361095	39	3361154	18	3370220	7
3352685	35	3352804	65	3361095	48	3361156	18	3370221	9
3352693	35	3352808	65	3361096	41	3361158	18	3370234	67
3352695	35	3352810	33	3361096	48	3361158	44	3370235	7
3352697	35	3352810	35	3361097	41	3361162	7	3370235	9
3352698	35	3352811	33	3361097	42	3361162	9	3370247	22
3352708	35	3352812	33	3361097	48	3361162	11	3370247	25
3352721	33	3352826	40	3361098	41	3361163	51	3370248	8
3352721	35	3352844	33	3361098	48	3361163	52	3370249	10
3352721	39	3352854	35	3361099	41	3361170	18	3370251	18
3352722	33	3352855	35	3361099	48	3361179	54	3370251	79
3352722	35	3352859	31	3361101	7	3361183	11	3370251	80
3352722	39	3352897	35	3361103	9	3361212	48	3370254	12
3352725	33	3352898	33	3361106	7	3361213	25	3370256	80
3352726	33	3352899	33	3361106	8	3361213	27	3370259	75
3352727	33	3353302	35	3361106	9	3361213	48	3370270	15
3352728	33	3360059	52	3361106	10	3361214	48	3370280	35
3352730	35	3360180	46	3361107	7	3361215	48	3370280	39
3352731	35	3360180	47	3361107	8	3361216	48	3370756	80
3352732	35	3360187	66	3361107	9	3361217	48	3370757	75
3352733	35	3360192	66	3361107	10	3361219	48	3370757	77
3352734	35	3360204	66	3361108	7	3361221	7	3370758	75
3352735	35	3360672	18	3361108	8	3361221	8	3370758	77
3352736	35	3360726	12	3361108	9	3361224	7	3380052	45
3352740	35	3360726	13	3361108	10	3361224	8	3380079	33
3352741	33	3360726	57	3361109	7	3361226	35	3380079	35
3352743	33	3360795	33	3361109	8	3361227	51	3380079	74
3352743	35	3360805	44	3361109	9	3361227	52	3380388	15
3352743	37	3360824	66	3361109	10	3361233	51	3380459	74
3352750	33	3360825	66	3361110	7	3361233	52	3380577	35
3352751	33	3360828	66	3361110	8	3361234	35	3380606	19
3352753	35	3360832	51	3361110	9	3361236	13	3380622	43
3352753	37	3360832	52	3361110	10	3361253	31	3380622	44
3352754	35	3360859	51	3361111	7	3361255	7	3380623	43
3352754	37	3361014	47	3361111	8	3361255	8	3380623	44
3352755	37	3361019	12	3361111	9	3361255	9	3380624	43
3352756	33	3361029	7	3361111	10	3361255	10	3380624	44
3352756	35	3361029	9	3361112	7	3361257	18	3380625	44
3352758	33	3361038	7	3361112	8	3361258	39	3380636	44
3352762	40	3361038	8	3361112	9	3361260	11	3380637	44
3352765	40	3361054	66	3361112	10	3361671	41	3380689	44
3352766	40	3361055	66	3361119	51	3361671	42	3380695	15
3352767	18	3361056	66	3361119	52	3361671	48	3380710	28
3352768	18	3361057	66	3361127	40	3361672	41	3380714	43
3352769	40	3361058	66	3361128	40	3361672	42	3380715	43
3352773	40	3361059	66	3361133	10	3361672	42	3380716	43
3352774	40	3361078	18	3361134	18	3361672	48	3380717	43
3352775	40	3361085	37	3361134	18	3370047	75	3380718	43
3352776	40	3361092	39	3361138	8	3370059	75	3380719	43
3352778	40	3361092	48	3361141	18	3370108	68	3380784	45
3352791	40	3361093	39	3361148	8	3370165	37	3380785	45
3352792	40	3361093	48	3361148	10	3370185	23	3380787	45
3352795	41	3361094	39	3361150	18	3370185	27	3380788	45
3352799	33	3361094	48	3361153	18	3370212	12	3380790	74

INDEX

Part No.	Page No.	Part No.	Page No.	Part No.	Page No.	Part No.	Page No.	Part No.	Page No.
3380791	45	6000087	51	6001146	33	6420191	18	6500344	53
3390030	15	6000087	52	6001161	70	6420194	39	6500346	53
3390149	6	6000088	31	6001167	73	6420194	41	6500347	53
3390173	64	6000107	53	6001169	20	6425038	20	6500351	53
3390466	28	6000107	54	6100015	41	6440162	23	6500360	57
3390531	67	6000108	54	6100126	18	6440162	30	6500366	55
3390540	6	6000109	54	6100126	33	6440164	22	6500366	56
3390562	63	6000161	30	6100139	6	6440164	23	6500366	59
3390591	6	6000224	15	6100235	46	6440164	29	6500366	60
3390591	45	6000224	18	6100235	47	6440165	29	6500386	53
3390592	6	6000224	20	6100246	33	6440165	30	6500387	53
3390592	63	6000233	25	6100246	35	6440166	29	6500388	53
3390605	25	6000233	27	6100280	35	6440167	29	6500395	53
3390605	27	6000255	69	6100280	37	6440170	30	6600043	56
3390636	6	6000288	18	6100284	29	6440172	22	6600043	60
3390637	6	6000290	33	6100325	40	6440172	23	6600043	61
3390645	74	6000290	35	6100325	41	6440199	23	6600045	15
3390651	19	6000308	70	6100376	64	6440200	22	6600085	18
3390655	6	6000322	16	6100391	53	6440200	29	6600137	52
3390656	74	6000376	33	6100441	45	6440200	30	6600152	74
3390659	6	6000376	35	6200059	74	6440206	29	6600162	46
3390666	64	6000376	74	6200179	51	6440213	29	6600162	47
3390669	6	6000397	33	6200251	60	6445028	47	6600162	51
3390670	6	6000397	35	6200251	61	6450095	68	6600162	52
3390678	6	6000403	44	6200292	55	6450357	51	6600168	51
3390679	6	6000462	54	6200292	56	6450357	52	6600196	55
3390679	64	6000496	19	6200292	59	6500008	56	6600196	56
3390680	6	6000496	63	6200292	60	6500020	56	6600196	59
3390681	6	6000571	33	6200324	67	6500034	67	6600196	60
3390682	6	6000686	77	6200362	53	6500035	67	6600223	25
3390683	6	6000690	67	6200417	55	6500038	67	6600223	27
3390684	6	6000721	77	6200417	56	6500039	25	6600224	25
3390684	64	6000792	22	6200417	60	6500039	27	6600224	27
3390685	6	6000792	23	6200418	59	6500039	67	6600237	25
3390686	6	6000792	25	6200419	56	6500041	53	6600237	27
3390696	6	6000792	27	6200473	59	6500045	57	6600250	74
3390697	12	6000802	43	6303119	25	6500048	62	6600265	74
3390706	42	6000872	31	6303119	27	6500053	62	6600267	74
3390707	42	6001005	16	6303278	22	6500064	55	6600277	74
3560170	15	6001005	35	6303278	23	6500064	56	6600278	74
3560788	15	6001005	37	6303278	29	6500064	59	6600279	74
3561030	63	6001005	44	6303353	66	6500064	60	6600280	74
4420933	43	6001005	46	6303435	55	6500064	61	6600281	74
4470350	60	6001005	47	6303435	56	6500071	60	6600282	74
4470350	61	6001005	51	6303435	57	6500105	59	6600296	18
4470943	42	6001005	51	6309067	53	6500113	56	6600296	33
4480132	47	6001005	52	6309071	59	6500113	59	6600299	51
6000057	35	6001007	41	6309185	64	6500133	56	6600299	52
6000057	37	6001007	41	6309255	35	6500192	59	6600303	46
6000057	39	6001056	15	6309255	51	6500333	57	6600303	47
6000057	66	6001087	40	6309255	52	6500335	53	6600303	51
6000068	15	6001087	41	6320272	6	6500337	53	6600303	52
6000071	15	6001115	71	6420106	40	6500342	53	6600304	51
6000087	33	6001115	73	6420121	16	6500343	53	6600304	52

INDEX

Part No.	Page No.	Part No.	Page No.	Part No.	Page No.	Part No.	Page No.	Part No.	Page No.
6600305	33	6600880	22	6601812	23	6602399	16	6700229	75
6600305	44	6600880	23	6601812	25	6602399	47	6700229	77
6600305	52	6600880	27	6601812	27	6602400	46	6700230	77
6600305	52	6600903	22	6601820	47	6602400	47	6700238	54
6600306	18	6600903	23	6601821	47	6602402	46	6700255	7
6600306	44	6600903	25	6601926	74	6602402	52	6700255	8
6600306	51	6600903	27	6601961	53	6602404	15	6700255	9
6600306	52	6600906	64	6602011	37	6602575	35	6700255	10
6600306	53	6601008	53	6602020	45	6602575	51	6700255	11
6600310	74	6601045	23	6602039	59	6602575	52	6700255	79
6600324	18	6601045	27	6602052	44	6602576	74	6700255	80
6600324	33	6601200	25	6602096	28	6602651	15	6700255	82
6600324	44	6601200	27	6602128	51	6602651	25	6700284	75
6600324	46	6601200	53	6602134	48	6602651	27	6700306	7
6600324	47	6601306	46	6602140	48	6602652	25	6700306	11
6600324	51	6601306	47	6602151	16	6602652	27	6700318	59
6600324	52	6601307	46	6602151	17	6602656	42	6700455	75
6600324	52	6601307	47	6602152	16	6602657	42	6700854	77
6600324	53	6601368	45	6602152	17	6602669	33	6700855	68
6600335	66	6601381	42	6602170	25	6602669	35	6700875	11
6600343	51	6601452	16	6602170	27	6602670	31	6700878	11
6600349	67	6601452	47	6602214	25	6602715	22	6701048	7
6600443	74	6601455	33	6602214	27	6602715	25	6701048	9
6600465	59	6601455	35	6602229	16	6602716	22	6701048	81
6600646	22	6601455	51	6602230	39	6602716	25	6701073	77
6600646	23	6601455	52	6602231	41	6602717	22	6701074	77
6600646	25	6601456	51	6602232	16	6602717	25	6701076	77
6600646	27	6601456	52	6602233	16	6602718	22	6701510	51
6600646	28	6601564	22	6602234	16	6602718	25	6701510	52
6600647	22	6601564	23	6602235	31	6602720	45	6701510	53
6600647	23	6601564	25	6602237	15	6602752	23	6701510	81
6600647	25	6601564	27	6602237	45	6602752	27	6701540	81
6600647	27	6601566	22	6602242	35	6602753	23	6701750	54
6600648	22	6601566	23	6602242	37	6602753	27	6701774	75
6600648	23	6601566	25	6602243	35	6602754	23	6701808	13
6600648	25	6601566	27	6602244	35	6602754	27	6701832	66
6600648	27	6601568	22	6602250	18	6602755	23	6701832	79
6600648	28	6601568	25	6602294	28	6602755	27	6701838	81
6600662	25	6601568	27	6602295	28	6609255	37	6701897	7
6600662	25	6601571	25	6602296	28	6700015	7	6701897	8
6600662	27	6601571	27	6602297	28	6700015	8	6701897	9
6600662	27	6601692	60	6602339	35	6700037	77	6701897	10
6600662	48	6601692	61	6602339	37	6700038	75	6701897	11
6600662	51	6601709	28	6602356	42	6700039	77	6701897	80
6600663	25	6601714	67	6602356	48	6700080	77	6701907	7
6600663	27	6601768	35	6602357	48	6700081	77	6701907	9
6600663	48	6601768	37	6602363	48	6700082	75	6701907	10
6600663	51	6601774	41	6602390	22	6700083	77	6701907	11
6600664	25	6601777	51	6602390	23	6700084	75	6701911	7
6600664	27	6601779	51	6602390	25	6700118	54	6701911	9
6600731	59	6601779	52	6602390	27	6700119	54	6701911	11
6600785	56	6601794	46	6602391	25	6700161	8	6701911	80
6600785	60	6601795	16	6602391	27	6700161	10	6701966	11
6600852	15	6601812	22	6602398	18	6700224	54	6701966	82

INDEX

Part No.	Page No.	Part No.	Page No.	Part No.	Page No.	Part No.	Page No.	Part No.	Page No.
6701972	7	6702186	7	7010096	27	7230296	48	7420240	51
6701972	9	6702186	9	7010097	23	7230297	48	7420241	51
6701974	9	6702186	81	7010097	27	7230298	48	7420244	25
6701974	10	6702187	7	7010098	22	7230299	48	7420244	27
6701974	33	6702187	9	7010098	25	7230299	48	7420250	15
6701974	35	6702188	10	7010099	22	7230300	48	7420251	15
6701976	7	6702191	8	7010099	25	7230301	48	7420252	15
6701976	8	6702191	10	7010100	22	7230302	48	7420255	22
6701976	9	6702192	8	7010100	25	7230303	66	7420255	23
6701976	10	6702192	10	7010101	22	7230304	66	7420255	25
6701976	11	6702193	8	7010101	25	7230320	43	7420255	27
6701976	79	6702193	10	7215139	69	7230320	44	7420276	37
6701976	80	6702193	80	7215169	33	7230331	41	7420278	37
6701980	8	6702194	8	7215169	35	7230331	41	7420278	37
6701980	10	6702194	10	7215169	51	7230359	15	7420279	37
6702000	11	6702195	8	7215169	52	7230372	74	7420279	37
6702000	79	6702195	10	7215275	41	7230377	35	7420283	51
6702014	54	6702195	80	7220028	74	7230378	35	7420284	51
6702014	82	6702196	8	7220056	74	7230379	35	7520016	7
6702033	7	6702196	10	7230219	33	7230384	37	7520017	8
6702033	9	6702197	8	7230219	35	7230384	37	7520018	9
6702033	10	6702197	10	7230219	37	7230385	37	7520019	10
6702033	11	6702198	8	7230224	33	7230386	37	7520020	11
6702033	80	6702198	10	7230225	33	7230387	37	7530034	51
6702038	11	6702199	7	7230230	35	7230388	37	7530034	52
6702038	80	6702199	8	7230231	35	7230389	37	7530050	12
6702072	8	6702199	10	7230238	18	7230390	37	7600003	40
6702072	9	6702199	11	7230241	74	7230391	37	7700024	62
6702072	10	6702200	80	7230242	74	7230392	37	7700025	60
6702075	7	6702201	80	7230243	74	7230393	37	7700046	62
6702075	8	6702202	80	7230244	74	7230394	37	7700047	62
6702075	9	6702204	80	7230245	74	7230395	37	7700048	62
6702075	10	6702205	80	7230246	74	7230396	37	7700050	62
6702076	7	6702206	80	7230247	74	7230397	37	7700056	51
6702076	8	6702208	80	7230248	74	7230398	37	7700056	62
6702076	9	6702209	80	7230249	74	7310028	47	7700057	62
6702076	10	6702214	80	7230250	74	7400004	74	7700058	62
6702077	7	6702216	80	7230251	74	7400004	74	7700060	62
6702077	8	6702225	75	7230252	74	7420042	25	7700062	62
6702077	9	6702251	80	7230253	74	7420042	27	7700065	62
6702077	10	6702460	54	7230254	74	7420219	25	7700086	62
6702082	80	6702461	54	7230255	18	7420219	27	7700089	62
6702094	7	6702464	74	7230256	15	7420220	33	7700090	62
6702094	8	6702478	13	7230256	19	7420225	52	7700091	62
6702094	9	7000262	15	7230257	64	7420230	39	7700092	62
6702094	10	7000265	15	7230258	46	7420230	41	7710008	53
6702094	79	7000310	20	7230258	47	7420230	41	7720001	55
6702135	7	7010092	23	7230259	46	7420231	33	7720001	56
6702135	9	7010092	27	7230259	47	7420231	35	7720008	59
6702135	81	7010093	22	7230291	48	7420231	51	7720011	56
6702140	7	7010093	25	7230292	48	7420231	52	7720011	59
6702140	9	7010095	22	7230293	48	7420232	37	7720014	55
6702140	81	7010095	25	7230294	48	7420238	51	7720014	56
6702144	81	7010096	23	7230295	48	7420239	51	7720014	57

INDEX

Part No.	Page No.	Part No.	Page No.	Part No.	Page No.	Part No.	Page No.	Part No.	Page No.
7720014	59	9410218	25	9414000	71				
7720017	59	9410233	23	9414000	73				
7720018	55	9410233	27	9414283	40				
7720018	56	9410278	25	9416509	19				
7720018	59	9410278	27	9416894	16				
7720018	60	9410278	42	9420421	13				
7720020	59	9410278	48	9422850	57				
7720021	59	9410281	22	9426128	67				
7720022	59	9410281	23						
7720023	59	9410281	25						
7720043	59	9410281	27						
7720045	56	9410281	27						
7720046	61	9410285	23						
7720055	59	9410285	27						
7720059	59	9410304	42						
7720061	59	9410346	33						
7720062	57	9410356	42						
7720063	57	9410979	22						
7720064	57	9410979	23						
7720065	57	9410979	25						
7720066	57	9410979	27						
7730001	53	9411027	33						
9250610	22	9411027	35						
9250610	23	9411417	43						
9250610	25	9411638	35						
9250610	27	9411638	37						
9250610	28	9411727	15						
9250611	22	9411727	40						
9250611	23	9411727	43						
9250611	25	9411727	57						
9250611	27	9411727	64						
9250611	28	9411727	65						
9250612	22	9411727	71						
9250612	23	9413946	9						
9250612	25	9413946	10						
9250612	27	9413946	12						
9250612	48	9413946	15						
9250617	28	9413946	19						
9250618	28	9413946	35						
9250619	28	9413946	37						
9250620	28	9413946	43						
9250621	28	9413946	44						
9250622	28	9413946	51						
9301215	23	9413946	52						
9301275	22	9413946	54						
9301336	64	9413946	62						
9402708	53	9413947	13						
9402828	25	9413947	18						
9402828	27	9413947	33						
9403257	28	9413947	33						
9410200	42	9413948	16						
9410200	48	9413948	17						
9410203	48	9413948	41						
9410205	28	9413948	57						

Provided for Free by Trenchwell.com
Shop Aftermarket Parts