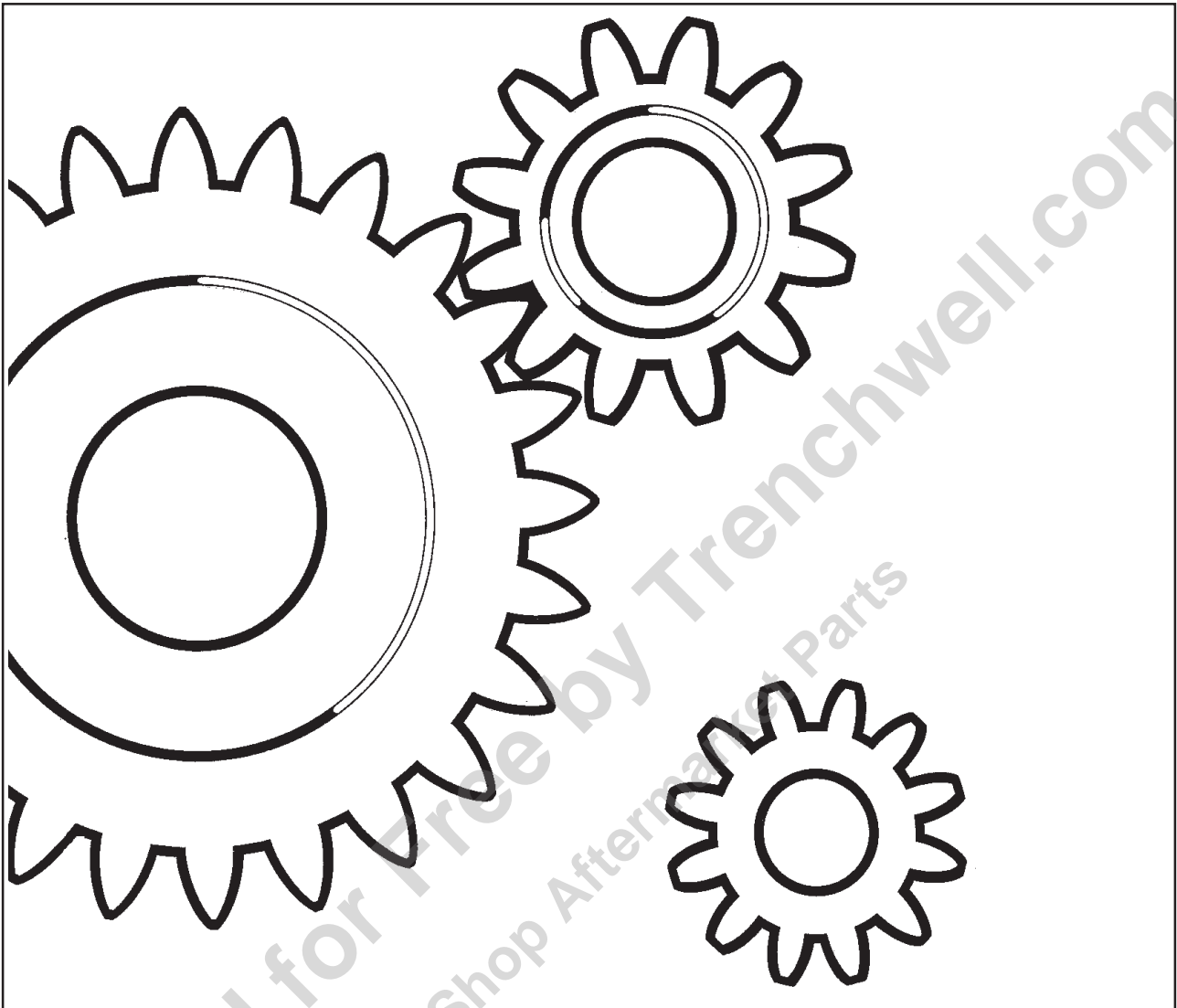


DYNAPAC CA150D SPARE PARTS CATALOGUE

SCA150D-3EN2



DYNAPAC

Part of the Atlas Copco Group

Box 504, SE-371 23 Karlskrona, Sweden

Phone: +46 455 30 60 00, Fax: +46 455 30 60 10

www.dynapac.com

Provided for Free by Trenchwell.com
Shop Aftermarket Parts

Vibratory Roller CA150D

Spare Parts Catalogue

SCA150D-3EN2

Valid from roller serial number:

**73221000*-*

Diesel engines:

CUMMINS QSB 3.3

Published catalogue issues valid for these rollers:

<i>Catalogue</i>	<i>Issue date</i>	<i>Valid for serial numbers</i>
SCA150D-3EN1	2008-06	Replaced by SCA150D-3EN2
SCA150D-3EN2	2009-04	*73221000*-



RESERVDLSBESTÄLLNING

Följande uppgifter ska lämnas vid beställning av reservdelar för att undvika leveransfel:

1. Maskintyp.
2. Vältens serienummer.
3. Antal av önskad reservdel.
4. Reserdelens artikelnummer.
5. Reservdelens benämning.
6. Måttuppgifter vid beställning av metervara.

ORDERING SPARE PARTS

To avoid errors in delivery, please give the following information when ordering spare parts:

1. Type of machine.
2. Roller serial number.
3. Quantity required.
4. Part number.
5. Parts denomination.
6. Dimensions when ordering per length.

ERSATZTEILBESTELLUNG

Zur Vermeidung von Fehllieferungen sind bei der Bestellung von Ersatzteilen folgende Angaben zu machen:

1. Maschinentyp.
2. Herstellungsnummer.
3. Bestellmenge. (Quantity)
4. Ersatzteilnummer. (Part N°)
5. Ersatzteilbenennung. (Denomination)
6. Massangaben bei Bestellung von Meterware.

ORDINI DI RICAMBI

Per evitare errori nelle consegne di ricambi, Vi preghiamo di comunicarci le seguenti informazioni al momento dell'ordinazione:

1. Tipo di macchina.
2. Numero di serie della macchina.
3. Quantità dei pezzi desiderati. (Quantity)
4. Numero di codice del pezzo. (Part N°)
5. Descrizione del pezzo di ricambio. (Denomination)
6. Misura, in caso di ordine per metro.

PEDIDO DE RECAMBIOS

Para evitar errores en las entregas, deberán indicarse los siguientes datos al hacer un pedido de recambios:

1. Tipo de máquina.
2. Número de serie.
3. Cantidad de piezas deseadas. (Quantity)
4. Número de artículo de la pieza de recambio. (Part N°)
5. Denominación de la pieza. (Denomination)
6. Indíquese la medida al solicitar un artículo que se expide por metros.

COMMANDE DE PIECES DE RECHANGE

Les indications suivantes doivent être fournies lors de la commande de pièces de rechange, afin d'éviter toute erreur de livraison:

1. Type de machine.
2. Numéro de série.
3. Quantité désirée de pièce de rechange. (Quantity)
4. Numéro de la pièce de rechange. (Part N°)
5. Dénomination de la pièce de rechange. (Denomination)
6. Longueur en cas de commande au mètre.

YOUR AGENT/DEALER:

Provided for Free by www.ironchisel.com
Shop Aftermarket Parts

Text pages

The text pages is structured as the picture on the right.

1. This is the remarks for specific items and the descriptions of the remarks is at the bottom of the parts list.

2. Parts indicated by a dot and moved to the right are included when buying the assembled unit above.

3. Spare parts and service code for a specific part, mainly for internal use at Dynapac. "A" = Service part, "B" = Fast moving part, "C" = Suggested exchanged part and "D" = Regular spare part.

DYNAPAC				Metso Dynapac AB	
Cooling system					
Ref. No.	Part No.	Rem.	Qty	Description	Code
1	223047		1	Water cooler	③ C
2	935852		1	Radiator cap	D
3	935851	①	1	Cock	
4	373263	A	1	Radiator hose	D
5	313009		6	Clamp	
6	205058	B	1XL	Rubber cloth	
7	373261	C	1	Radiator hose	D
8			1	Oil cooler	D
9	223289		1	Plate	
10	902166	D	1XL	Edge trim	
11	223287	E	1	Holder	
12	223288	F	1	Holder	
13	908168		1	Fan guard	
14	908170		1	Fan shroud	
15	908171		2	Mounting bar	
16	908169		1	Fan guard	
17	500021		14	Screw	
18	902286		14	Nut	
19	600006		14	Washer	
20	313102		2	Cable strap	

A) Upper
 B) L=060MM
 C) Lower
 D) L=2280MM
 E) Left
 F) Right

Changes

PARTS INFO	SERVICE INFO	GROUP	PAGE	NOTES

Notes

Provided for Free by Trenchwell.com
Shop Aftermarket Parts

PÄRMETIKETT

För att undvika fel vid reservdelsbeställning finns här nedan två etiketter som passar i fickorna på pärmarnas ryggar. På dessa kan man se från vilket vältnummer av aktuell maskin reservdelskatalogen gäller. Gör så här:

1. Tag denna sida ur pärmen.
2. Klipp ut etiketten till **VÄNSTER** (1) och sätt in den i fickan på **DENNA** pärmens rygg.
3. Finns det en etikett till **HÖGER** (2), kan denna användas på pärmen för **FÖREGÅENDE** utgåva av denna katalog.
4. Kasta detta papper.

KATALOG-BESCHRIFTUNG

Zur Vermeidung von Fehlern bei der Ersatzteilbestellung benutzen Sie bitte die unteren Beschriftungen, um die Kataloge auf der Rückseite zu kennzeichnen. Auf der Beschriftung ist angegeben, für welche Maschinennummern der jeweilige Katalog gültig ist. Ablauf:

1. Nehmen Sie dieses Blatt aus dem Katalog.
2. Schneiden Sie die **LINKE** Beschriftung (1) aus. Schieben Sie die Beschriftung in die tasche auf **DEM** Katalogrücke.
3. Sollte die Beschriftung unten **RECHTS** (2) mitgeliefert werden, kennzeichnen Sie damit bitte die **ÄLTERE** Ausführung dieses Kataloges.
4. Den Rest dieses Blattes bitte vernichten.

ETIQUETA PARA LA CARPETA

Para evitar errores al pedir repuestos utilicen las etiquetas abajo descritas para identificar los catálogos en la parte trasera de la carpeta. En la etiqueta se ven los números de referencia de la serie para la cual es válido el catálogo. Instrucciones:

1. Quitar esta página de la carpeta.
2. Corta la etiqueta **IZQUIERDA** (1) y ponerla en **ESTA** carpeta en la parte trasera.
3. Si hay una etiqueta en la parte **DERECHA** (2) se puede utilizar en la carpeta para el catálogo que **PRECEDE** a esta.
4. Tirar esta hoja.

BINDER LABEL

To avoid errors when ordering spare parts use the labels below to identify the catalogues on the back of the binder. The label contain the serial number range for which the catalogue is valid. Do like this:

1. Remove this page from the binder.
2. Cut out the **LEFT** label (1) and put it on **THIS** binders back.
3. If there is a label to the **RIGHT** (2), it can be used on the binder for **PRECEDING** issue of this catalogue.
4. Throw away this paper.

ETICHETTA POSTA SUL RACCOGLITORE

Per evitare errori quando ordinate pezzi di ricambio, usate le etichette in calce che servono ad identificare i cataloghi sul retro del raccoglitore. L'etichetta indica il numero di matricola delle macchine prese in considerazione nel catalogo.

1. Rimuovete questa pagina dal raccoglitore.
2. Ritagliate l'etichetta posta a **SINISTRA** (1) e ponetela sul retro **DEL** raccoglitore.
3. Se trovate anche un'etichetta sulla **DESTRA** (2), ritagliatela e ponetela sul raccoglitore relativo alla **PRECEDENTE** edizione del catalogo.
4. Distruggete questo foglio.

ETIQUETAGE DU CATALOGUE

Afin d'éviter des erreurs lors de commandes de pièces de rechange, nous vous conseillons d'apposer les marquages ci-dessous à l'arrière du classeur, pour identifier les catalogues. Ce marquage indique les numéros de série pour lesquels le catalogue est adapté. Il convient de procéder de la façon suivante:

1. Retirez cette page du classeur.
2. Découpez l'étiquette de **GAUCHE** (1), et apposez-la à l'arrière de **CE** catalogue.
3. Si il y a une étiquette à **DROITE** (2), vous pourrez l'apposer sur le classeur de l'edition **PRECEDENTE** du catalogue.
4. Détruire cette feuille.

1.



Provided for Free by Trenchwell.com
Shop Aftermarket Parts

CA150D SN 73221000 -	2
Service kits	4
Service kits	6
4700950400 Service kit 50 h	8
4700939076 Service kit 250 / 750 h	10
4700950401 Service kit 500 h	12
4700950403 Service kit 1000 h	14
Repair kits	16
4700938558 Steering hitch kit	18
4700938898 Eccentric shaft kit	20
4700938891 Drum rotation kit	22
4700938876 Shock absorber kit, drum	24
Frame	26
Frames	28
Scraper	30
Scrapers urethan rubber Option	32
Scrapers spring steel Option	34
Hitch	36
Structure	38
Drum	40
Drum	42
Engine	44
Engine Cummins QSB3.3	46
Cooling system	48
Combustion air system	52
Fuel system	54
Exhaust system	56
Transmission	58
Rear axle and wheels	60
4700384789 Rear axle	62
Housing	64
Differential with limited slip	66
Brakes	68
Planet gear	70
Hydraulic system	72
Propulsion system, Front	74
Propulsion system, Rear	76
4700380829 Propulsion pump	78
4700384598 Hydraulic motor	84
Vibration system	86
4700384751 Vibration pump	88
4700380144 Hydraulic motor, vibration	90
Steering system	92
Hydraulic oil tank	94
4700392002 Steering cylinder	96
4700385957 Pilot valve	98
Brake system	100
Hydraulic oil tank	94
Variable rear axle motor Option	102
4700380829 Propulsion pump	78

TABLE OF CONTENTS

Page

4700383855	Rear axle Limited Slip	104
	Housing	106
	Differential with limited slip	108
	Brakes	110
	Planet gear	112
	Central test panel hydraulic Option	114
	Electrical equipment	116
	Electric system	118
	Control panel Up to 73X21009	120
	Control panel From 73X21010	122
	Working lights Option	124
	Rotating beacon Option	126
	Back-up alarm Option	128
	Compaction meter Option	130
	Drivers platform	132
	Drivers platform	134
	Control panel	136
	Forward and reverse control	138
	Forward and reverse control handle	140
	Steering column	142
	Canopy Option	144
	Rops and fops	146
	Cab mounting	148
	Cab 392479	150
	Cab Screens	152
	Cab Door, left side	156
	Cab Interior rear mirror	158
	Wiper arm with blade, front	160
	Cab Electric	162
	Decals	164
	Decals	166
	Decals	168
	Standard equipment	170
	Standard equipment	172
	Optional equipment	174
	Tool equipment	176
	Pad shell	178
	Scraper	180
	Dy-Mic	182
	Heater, Simple cab	184
4700379394	Heater box	186

Provided for Free by Trenchwell.com
Shop Aftermarket Parts



CA150D SN 73221000 -

Item	Part No	Rem Qty	Description	Code
1			Service kits (Page 4)	
2			Repair kits (Page 16)	
10			Frame (Page 26)	
20			Drum (Page 40)	
30			Engine (Page 44)	
40			Transmission (Page 58)	
50			Hydraulic system (Page 72)	
60			Electrical equipment (Page 116)	
70			Drivers platform (Page 132)	
80			Decals (Page 164)	
90			Standard equipment (Page 170)	
91			Optional equipment (Page 174)	

Provided for Free by Trenchwell.com
Shop Aftermarket Parts

Provided for Free by Trenchwell.com
Shop Aftermarket Parts

Service kits

Item	Part No	Rem Qty	Description	Code
-1			Service kits (Page 6)	
1	4700950400		Service kit (Page 8)	50 h
2	4700939076		Service kit (Page 10)	250 / 750 h
3	4700950401		Service kit (Page 12)	500 h
4	4700950403		Service kit (Page 14)	1000 h

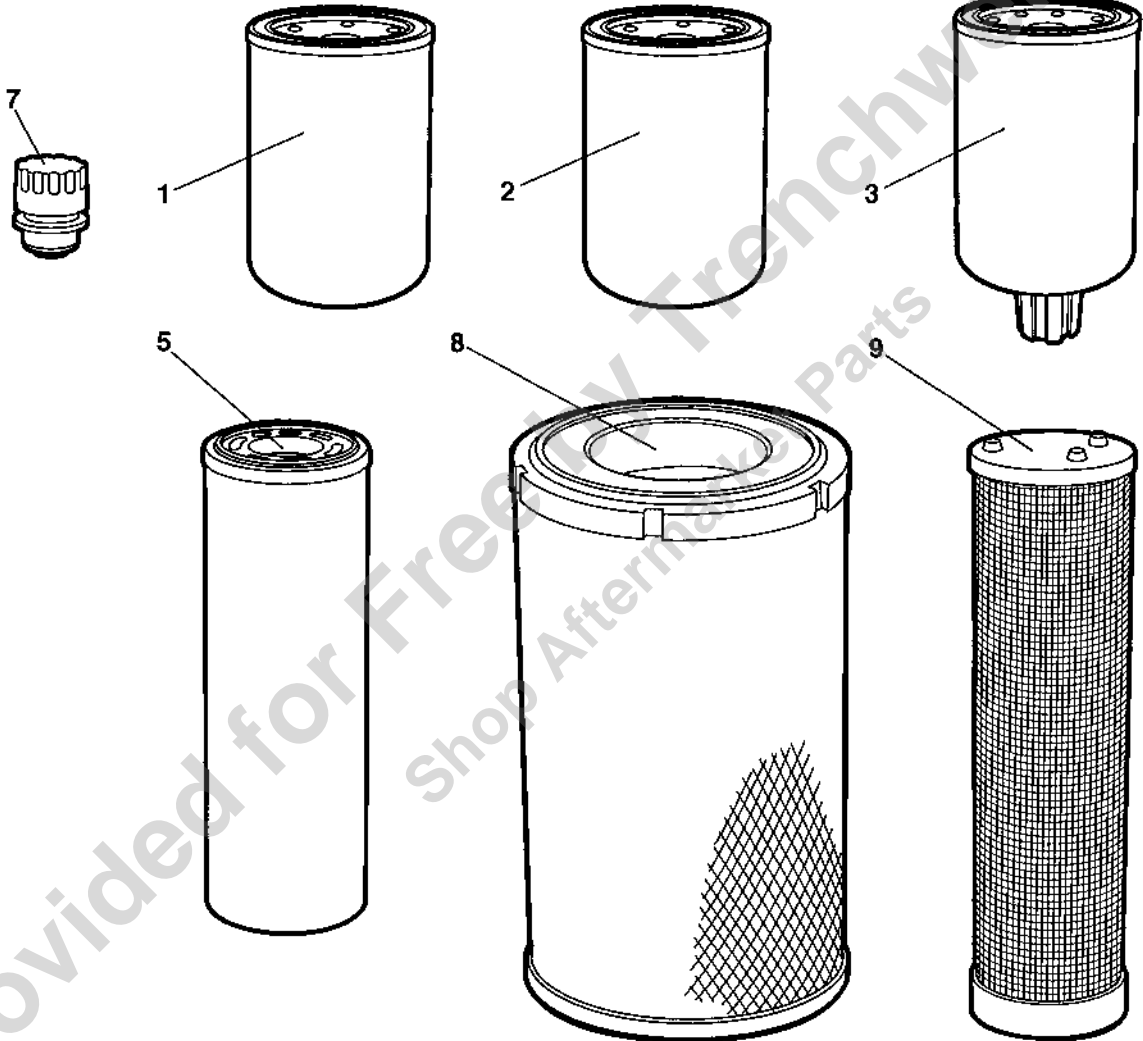
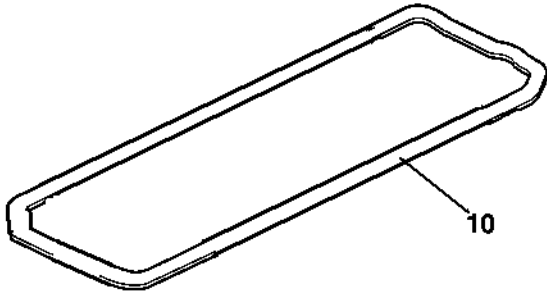
Provided for Free by Trenchwell.com
Shop Aftermarket Parts

Provided for Free by Trenchwell.com
Shop Aftermarket Parts

Service kits

Item	Part No	Rem Qty	Description	Code
1	4700950400		Service kit (Page 8)	50 h
2	4700939076		Service kit (Page 10)	250 / 750 h
3	4700950401		Service kit (Page 12)	500 h
4	4700950403		Service kit (Page 14)	1000 h

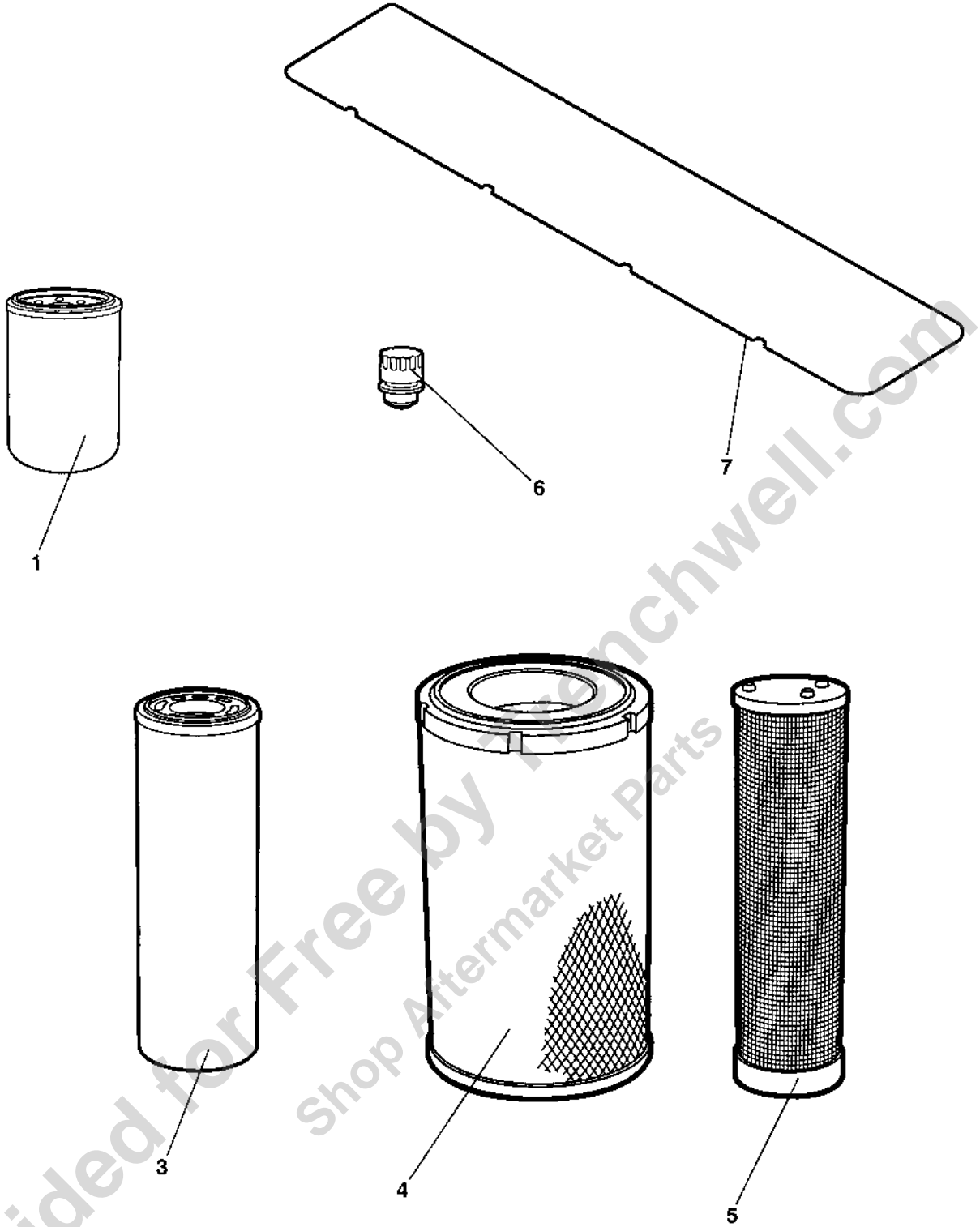
Provided for Free by Trenchwell.com
Shop Aftermarket Parts



4700950400 Service kit 50 h

Item	Part No	Rem Qty	Description	Code
	4700950400		Service kit (Page 8)	50 h
1	4700939068	1	Oil filter element	A
2	4700950302	1	Fuel filter element	A
3	4700950301	1	Pre-fuel filter element	A
5	4700372229	1	Hydraulic oil filter element	A

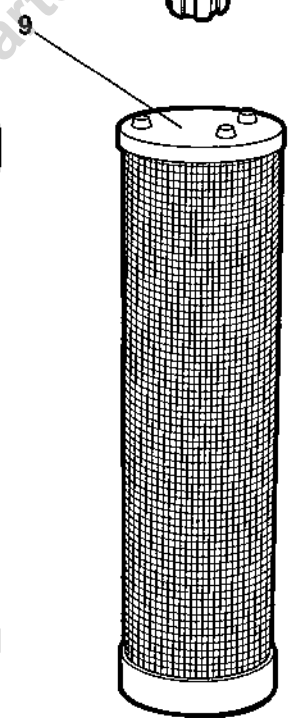
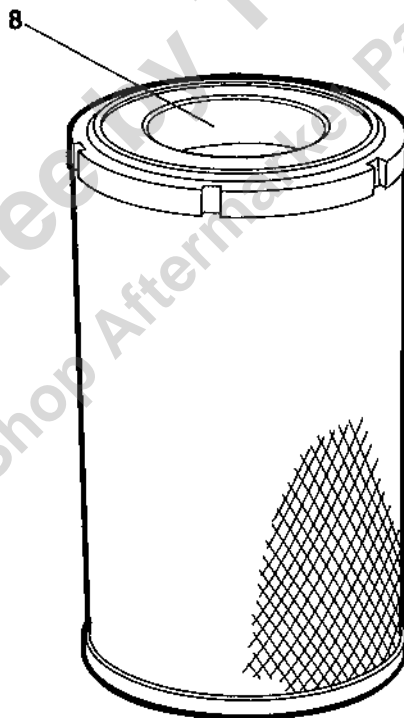
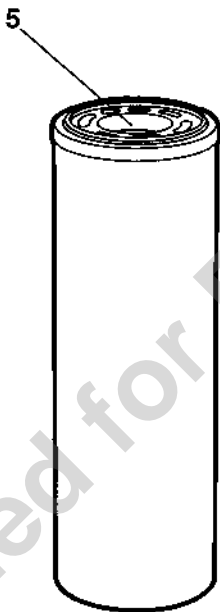
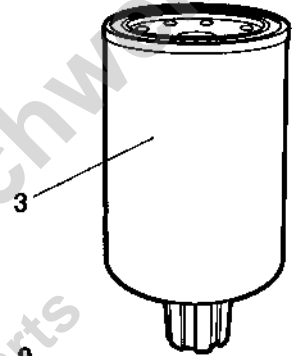
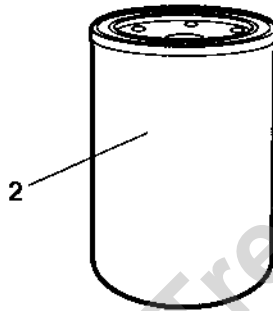
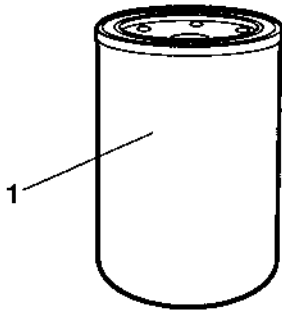
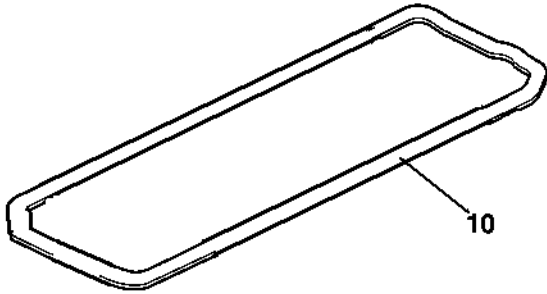
Provided for Free by Trenchwell.com
Shop Aftermarket Parts



4700939076 Service kit 250 / 750 h

Item	Part No	Rem Qty	Description		Code
	4700939076		Service kit (Page 10)	250 / 750 h	
1	4700939068	1	Oil filter element		A

Provided for Free by Trenchwell.com
Shop Aftermarket Parts

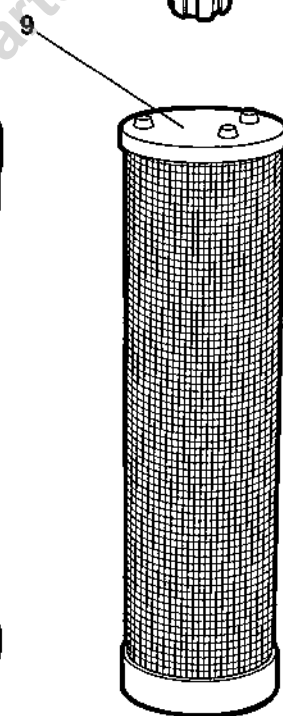
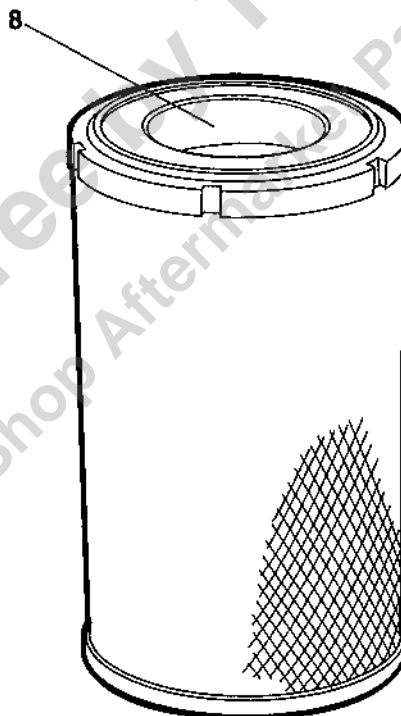
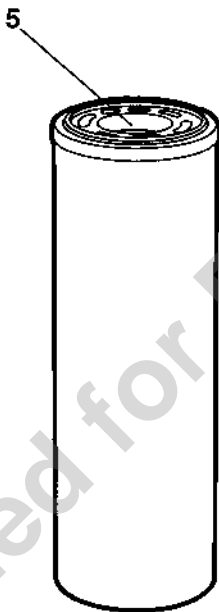
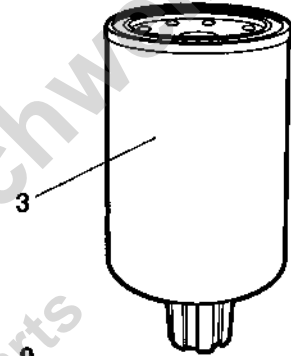
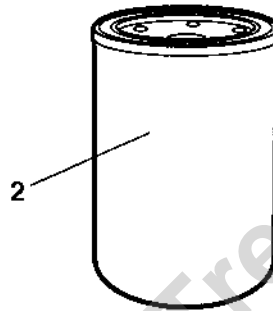
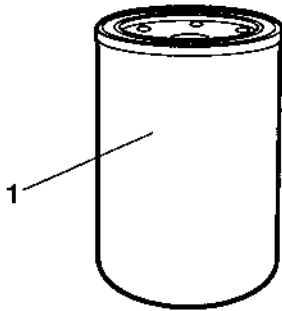
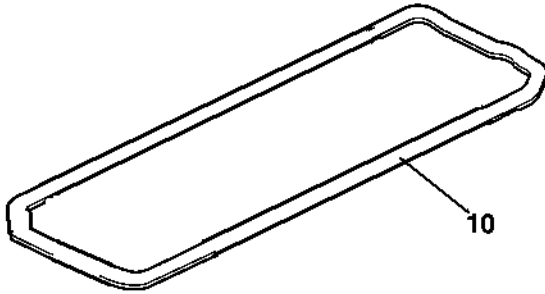


Provided for Free by Trenchwall.com
Shop Aftermarket Parts

4700950401 Service kit 500 h

Item	Part No	Rem Qty	Description	Code
	4700950401		Service kit (Page 12)	500 h
1	4700939068	1	Oil filter element	A
2	4700950302	1	Fuel filter element	A
3	4700950301	1	Pre-fuel filter element	A
8	4700394686	1	Air filter element, main	A

Provided for Free by Trenchwell.com
Shop Aftermarket Parts



Provided for Free by Trenchwall.com
Shop Aftermarket Parts

4700950403 Service kit 1000 h

Item	Part No	Rem Qty	Description	Code
	4700950403		Service kit (Page 14)	1000 h
1	4700939068	1	Oil filter element	A
2	4700950302	1	Fuel filter element	A
3	4700950301	1	Pre-fuel filter element	A
5	4700372229	1	Hydraulic oil filter element	A
7	4700357138	1	Ventilating filter	A
8	4700394686	1	Air filter element, main	A
9	4700394687	1	Air filter element, safety	A
10	4700939070	1	Gasket, valve cover	B

Provided for Free by Trenchwell.com
Shop Aftermarket Parts

Provided for Free by Trenchwell.com
Shop Aftermarket Parts

Repair kits

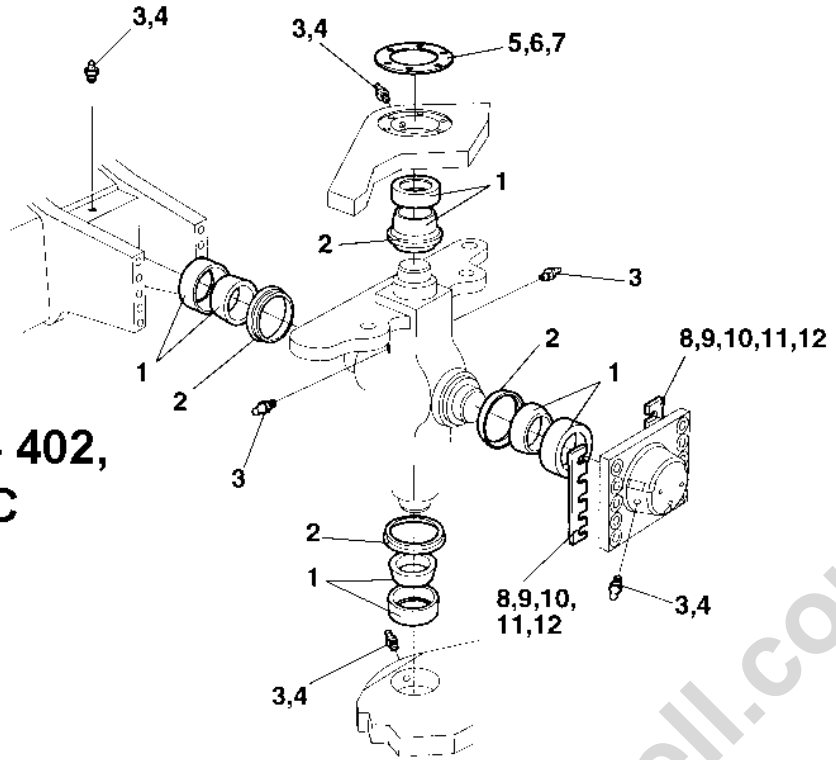
Item	Part No	Rem Qty	Description	Code
5	4700938558	0	Steering hitch kit (Page 18)	
10	4700938898	0	Eccentric shaft kit (Page 20)	
20	4700938891	0	Drum rotation kit (Page 22)	
30	4700938876	0	Shock absorber kit, drum (Page 24)	

Provided for Free by Trenchwell.com
Shop Aftermarket Parts

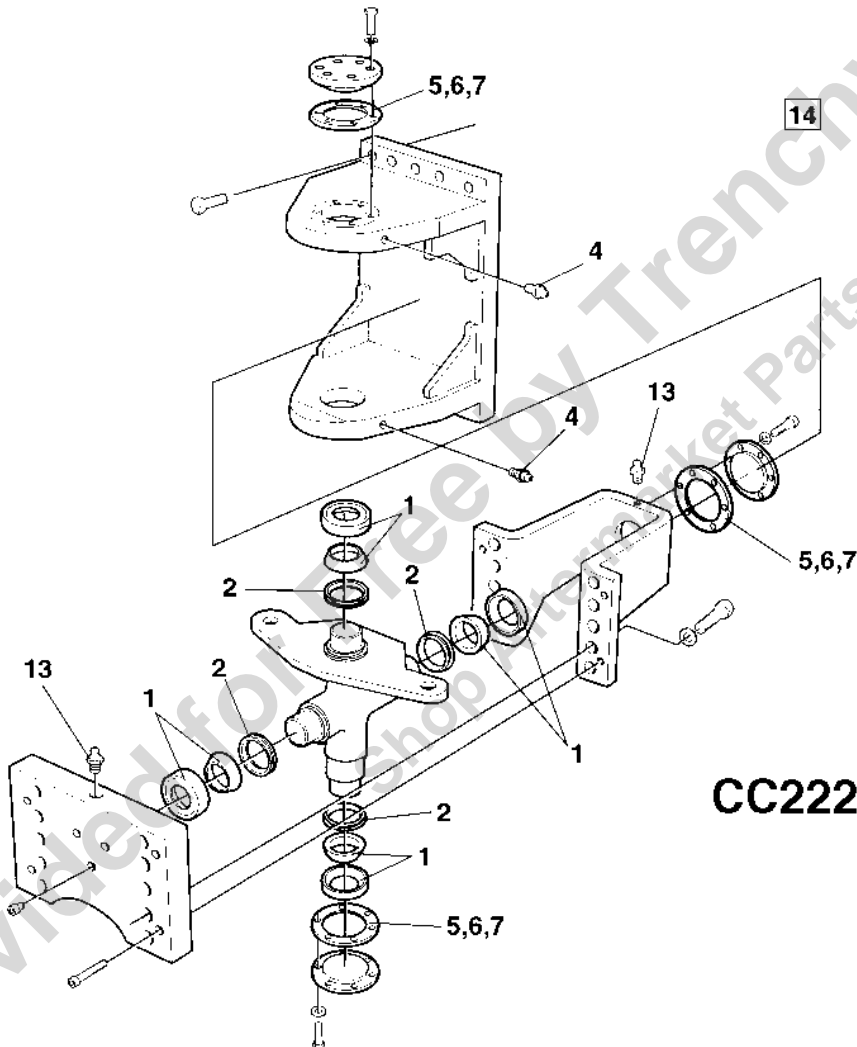
4700938558 Steering hitch kit

938558

**CA150 - 402,
CC501/C**



CC222-622/C



4700938558 Steering hitch kit

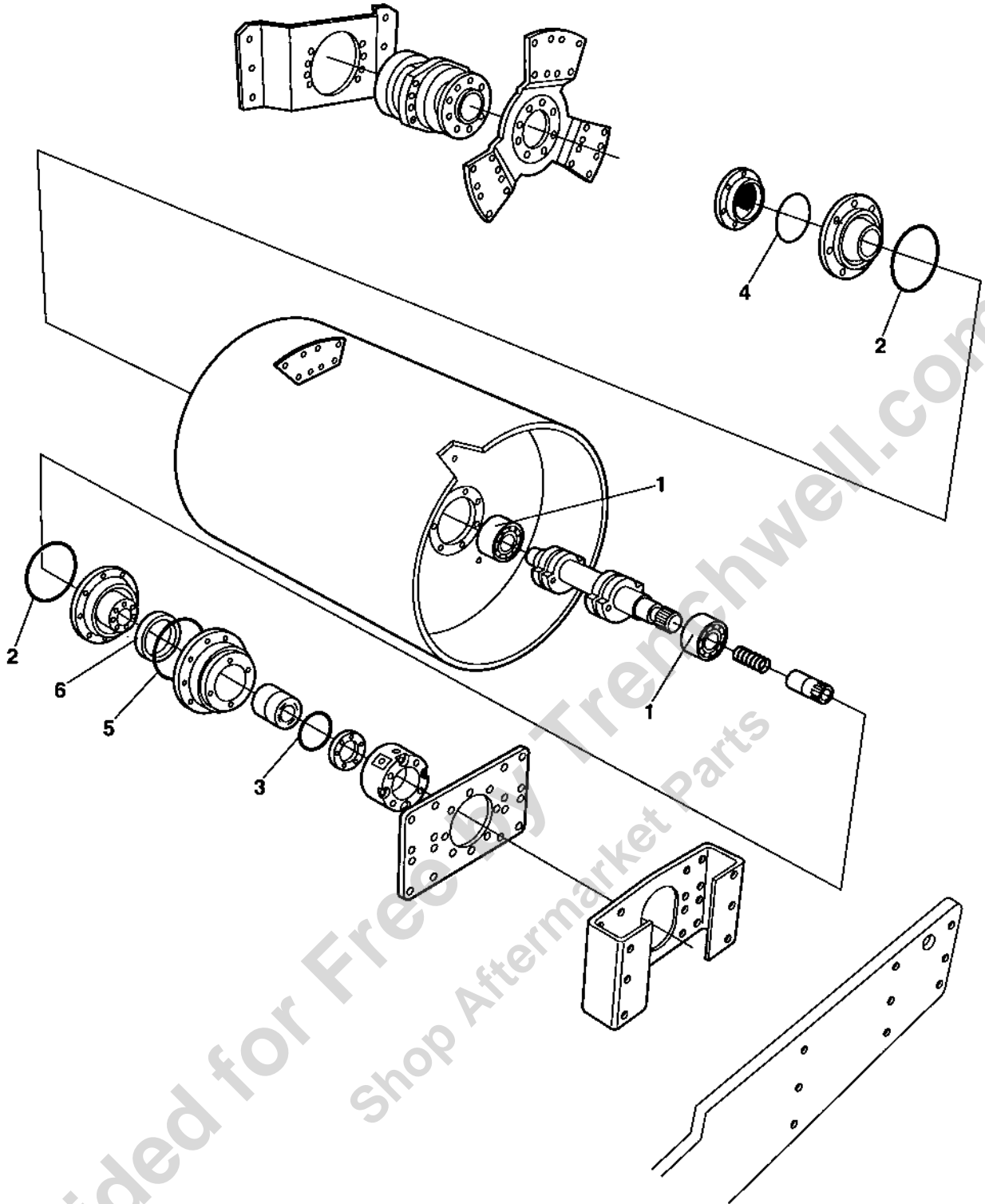
Item	Part No	Rem Qty	Description	Code
	4700938558		Steering hitch kit (Page 18)	
1	4700100040	4	Axial ball bearing	D
2	4700167032	4	Lip-type oil seal	D
3	4700310008	2 3	Grease nipple	D
4	4700926214	2	Grease fitting	D
5	4700337045	3	Shim	D
6	4700345874	3	Shim	D
7	4700345875	3	Shim	D
8	4700345871	1 2	Shim	D
9	4700345872	1 2	Shim	D
10	4700345873	1 2	Shim	D
11	4700380993	1 2	Shim	D
12	4700384498	1 2	Shim	D
13	4700929863	3 1	Grease nipple	D
14	4700904663	1	Lube grease	" DYNAPAC special approved "
15		1	Instructions	

- 1) Valid for CA150-402 and CC501/C
- 2) Valid for CC501/C
- 3) Valid for CC222/232/322/422/432/522/622/C

Provided for Free by Trenchwell.com
Shop Aftermarket Parts

4700938898 Eccentric shaft kit

VALS2



Provided for Free by Freshwell.com
Shop Aftermarket Parts

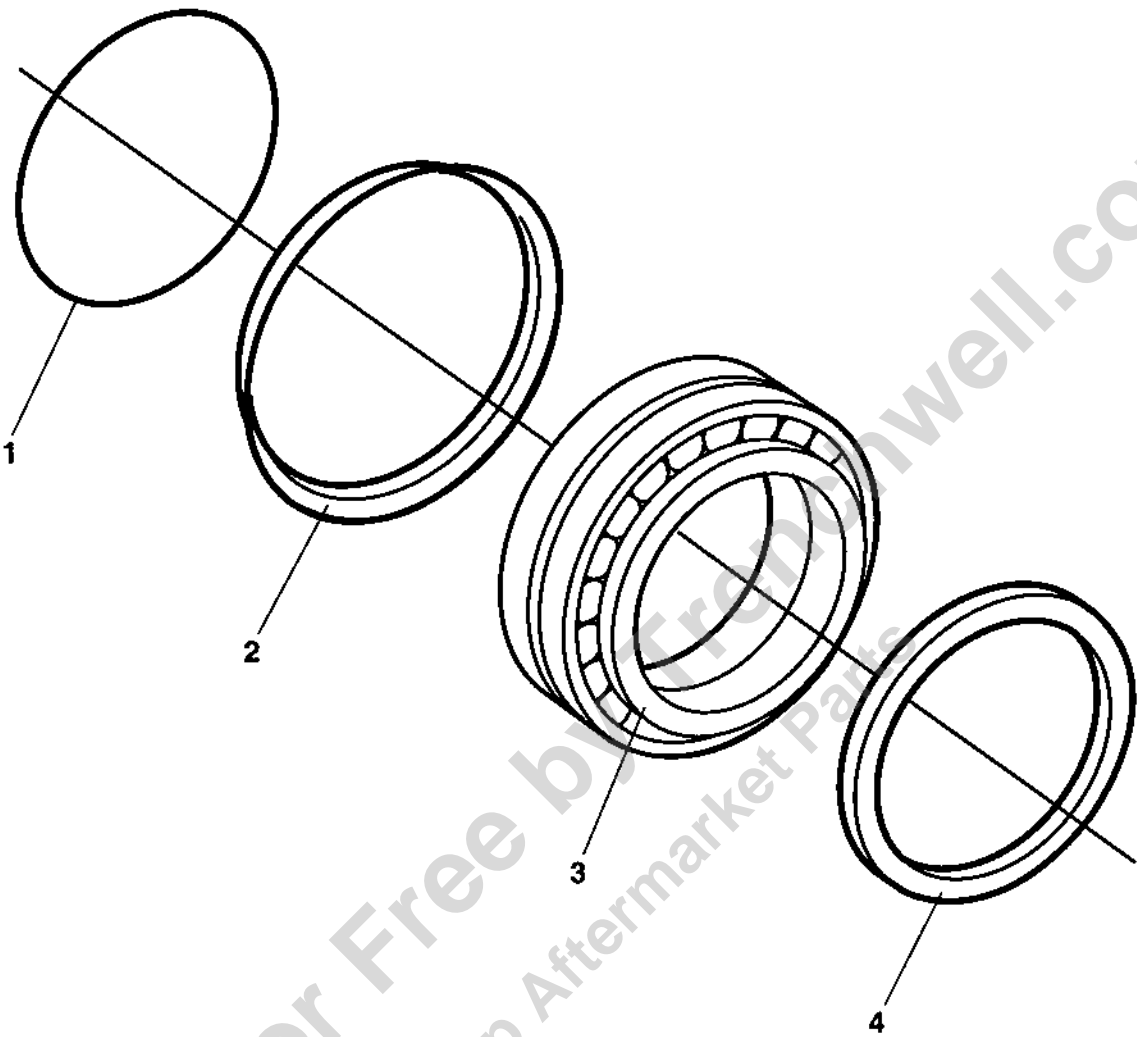
4700938898 Eccentric shaft kit

Item	Part No	Rem Qty	Description	Code
	4700938898		Eccentric shaft kit (Page 20)	
1	4700114036	2	Spherical roller bearing	D
2	4700160344	2	O-ring 70	D
3	4700160105	1	O-ring 70	D
4	4700160362	1	O-ring	
5	4700929447	1	V-ring	D
6	4700167023	1	Seal ring	D

Provided for Free by Trenchwell.com
Shop Aftermarket Parts

4700938891 Drum rotation kit

RAMLAGER



Provided for Free by www.ShopAftermarketParts.com

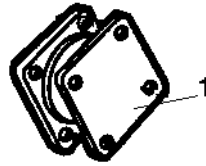
4700938891 Drum rotation kit

Item	Part No	Rem Qty	Description	Code
	4700938891		Drum rotation kit (Page 22)	
1	4700160105	1	O-ring 70	D
2	4700929447	1	V-ring	D
3	4700116041	1	Taper roller bearing	D
4	4700386272	1	Sealing	D

Provided for Free by Trenchwell.com
Shop Aftermarket Parts

4700938876 Shock absorber kit, drum

SHOCK ABSORB.



Provided for Free by Trenchwell.com
Shop Aftermarket Parts

4700938876 Shock absorber kit, drum

Item	Part No	Rem Qty	Description	Code
	4700938876		Shock absorber kit, drum (Page 24)	
1	4700336742	10	Shock absorber	B

Provided for Free by Trenchwell.com
Shop Aftermarket Parts

Provided for Free by Trenchwell.com
Shop Aftermarket Parts

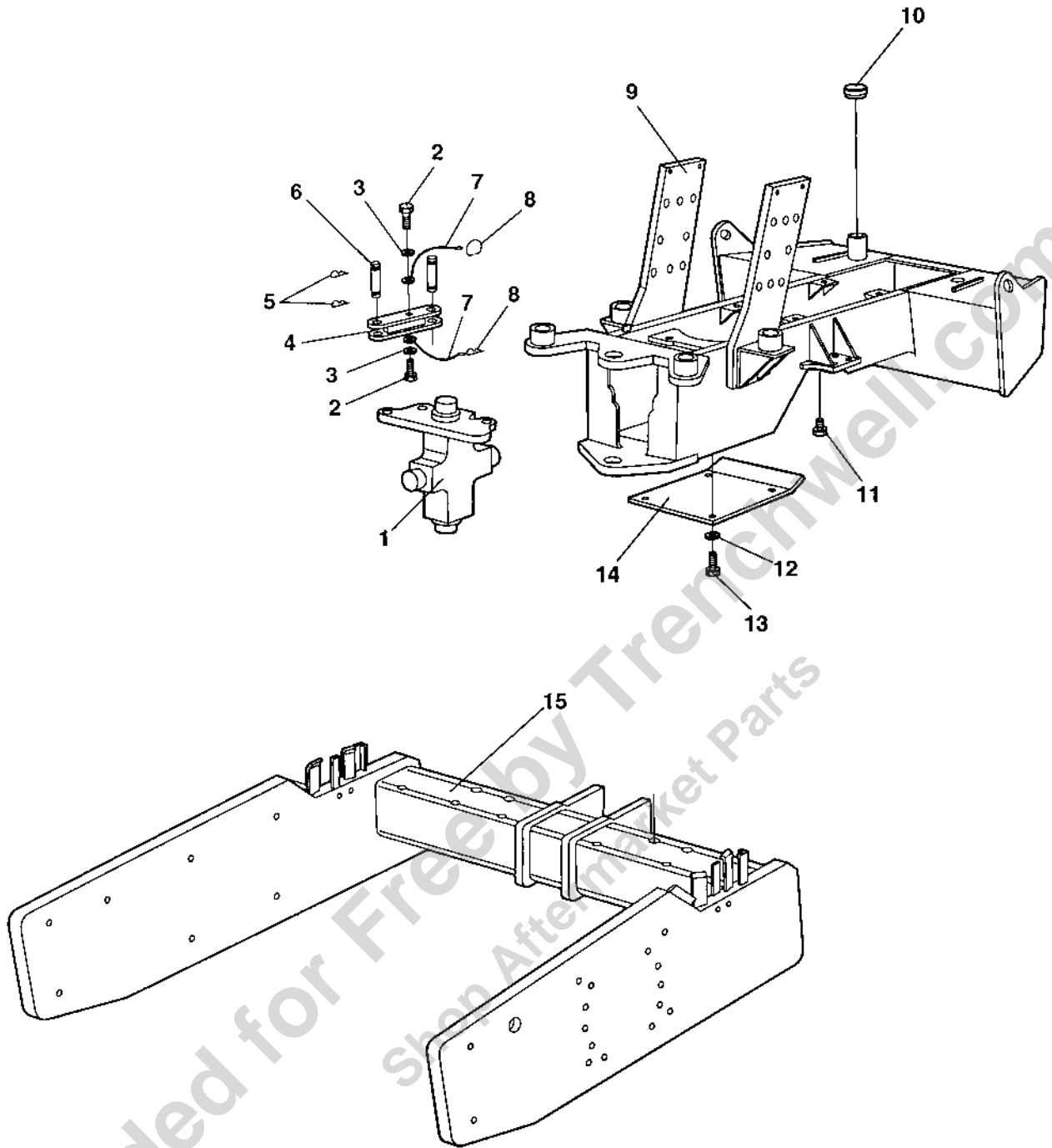
Frame

Item	Part No	Rem Qty	Description	Code
10			Frames (Page 28)	
20			Scraper (Page 30)	
26			Scrapers urethan rubber (Page 32)	Option
30			Scrapers spring steel (Page 34)	Option
40			Hitch (Page 36)	
50			Structure (Page 38)	

Provided for Free by Trenchwell.com
Shop Aftermarket Parts

Frames

17417



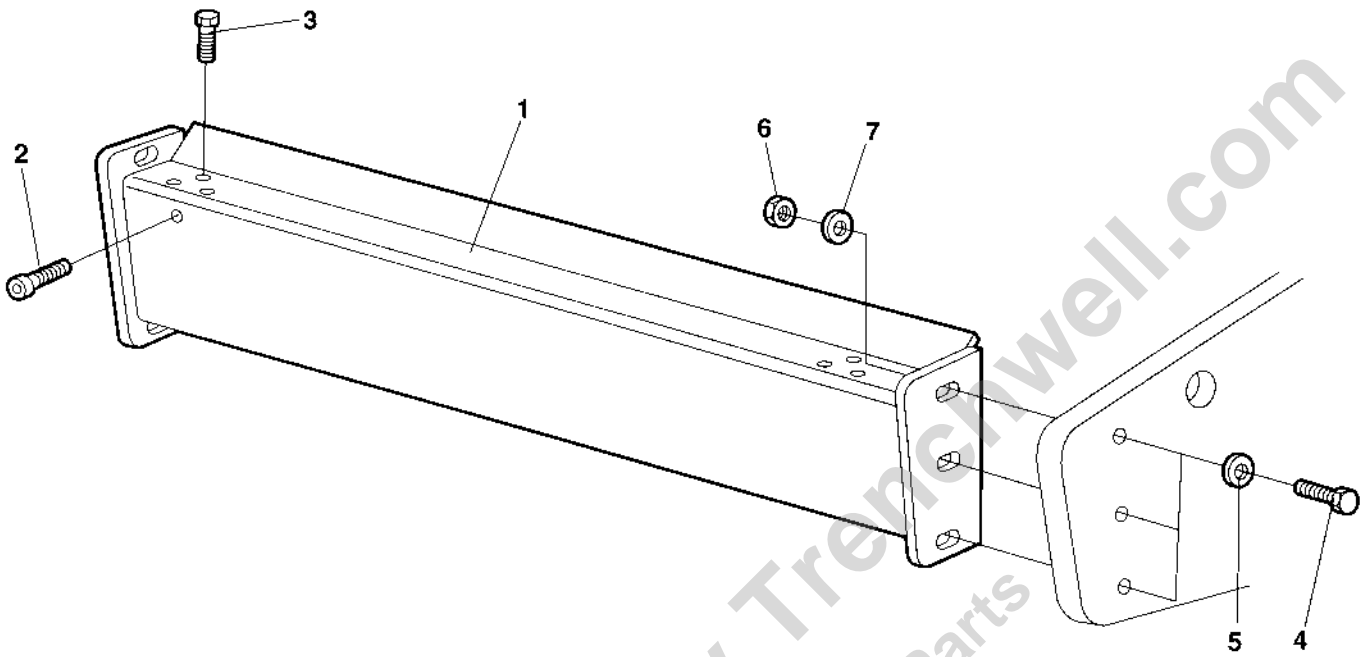
Frames

Item	Part No	Rem Qty	Description	Code
1		1	Hitch (Page 36)	
2	4700500043	2	Screw	M10x16H 8,8
3	4700904230	2	Washer	
4	4700374869	1	Safety rod	
5	4700635061	3	Hair clip	D
6	4700347119	2	Shaft	D
7	4700343775	2	Wire	
8	4700357488	1	Spring	
9	4700394604	1	Tractor frame	D
10	4700373460	1	Fuel cap	D
11	4700813391	1	Magnetic plug	D
12	4700904557	4	Washer	
13	4700500029	4	Screw	
14	4700372479	1	Protecting plate	
15	4700384443	1	Drum frame	

Provided for Free by Trenchwell.com
Shop Aftermarket Parts

Scraper

17234



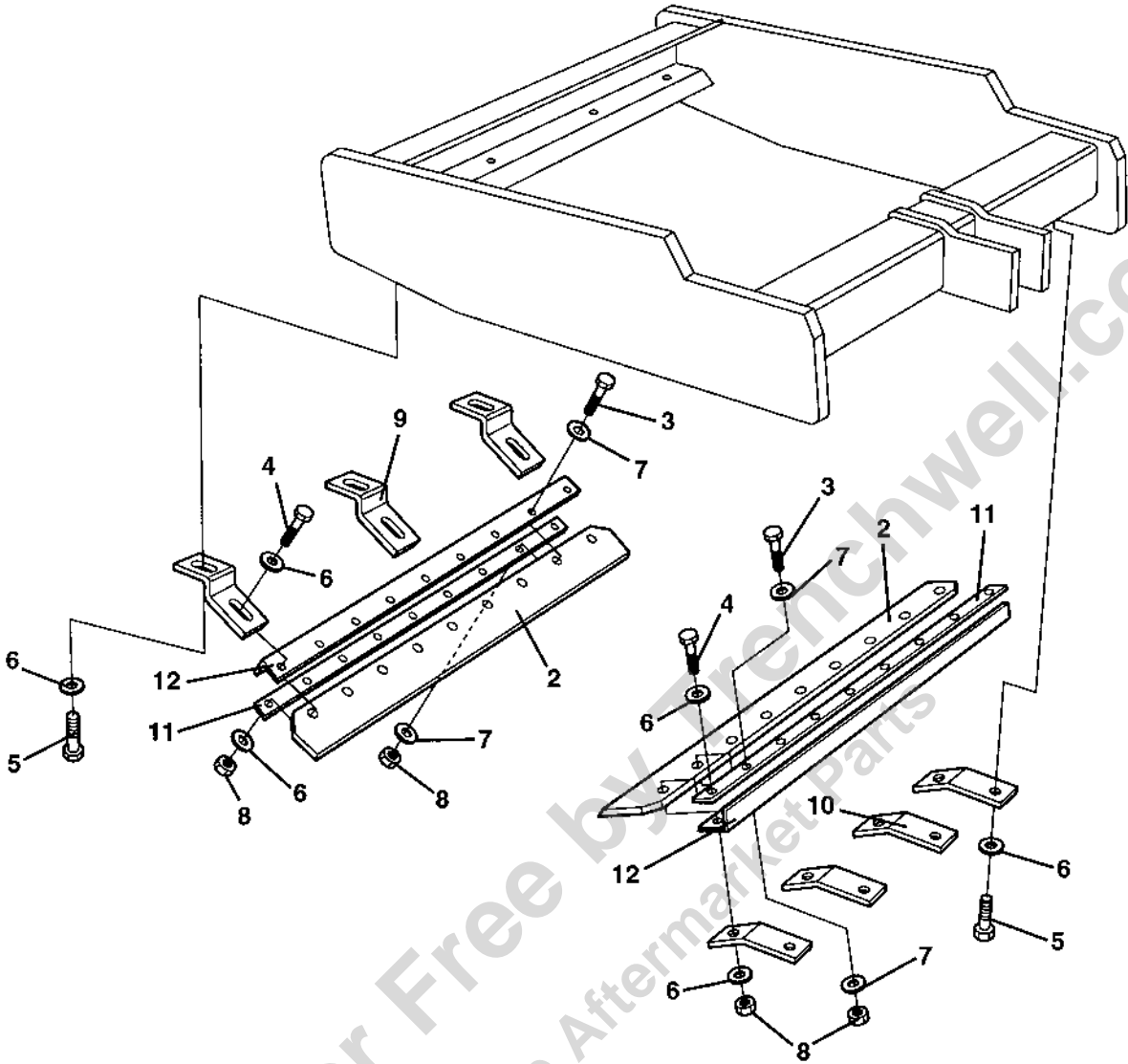
Scraper

Item	Part No	Rem Qty	Description	Code
1	4700373758	1	Scraper beam	
2	4700232041	1	.Filter plug	D
3	4700500048	6	.Screw	M10-1,5x20 8,8
4	4700500209	4	Screw	M20-2,5x90 8,8
5	4700904233	4	Washer	21x36x3
6	4700570015	4	Nut	M20
7	4700903290	4	Washer	21x36x6

Provided for Free by Trenchwell.com
Shop Aftermarket Parts

Scrapers urethan rubber Option

17536



Provided for Free by [merchwell.com](http://www.merchwell.com)
Shop Aftermarket Parts

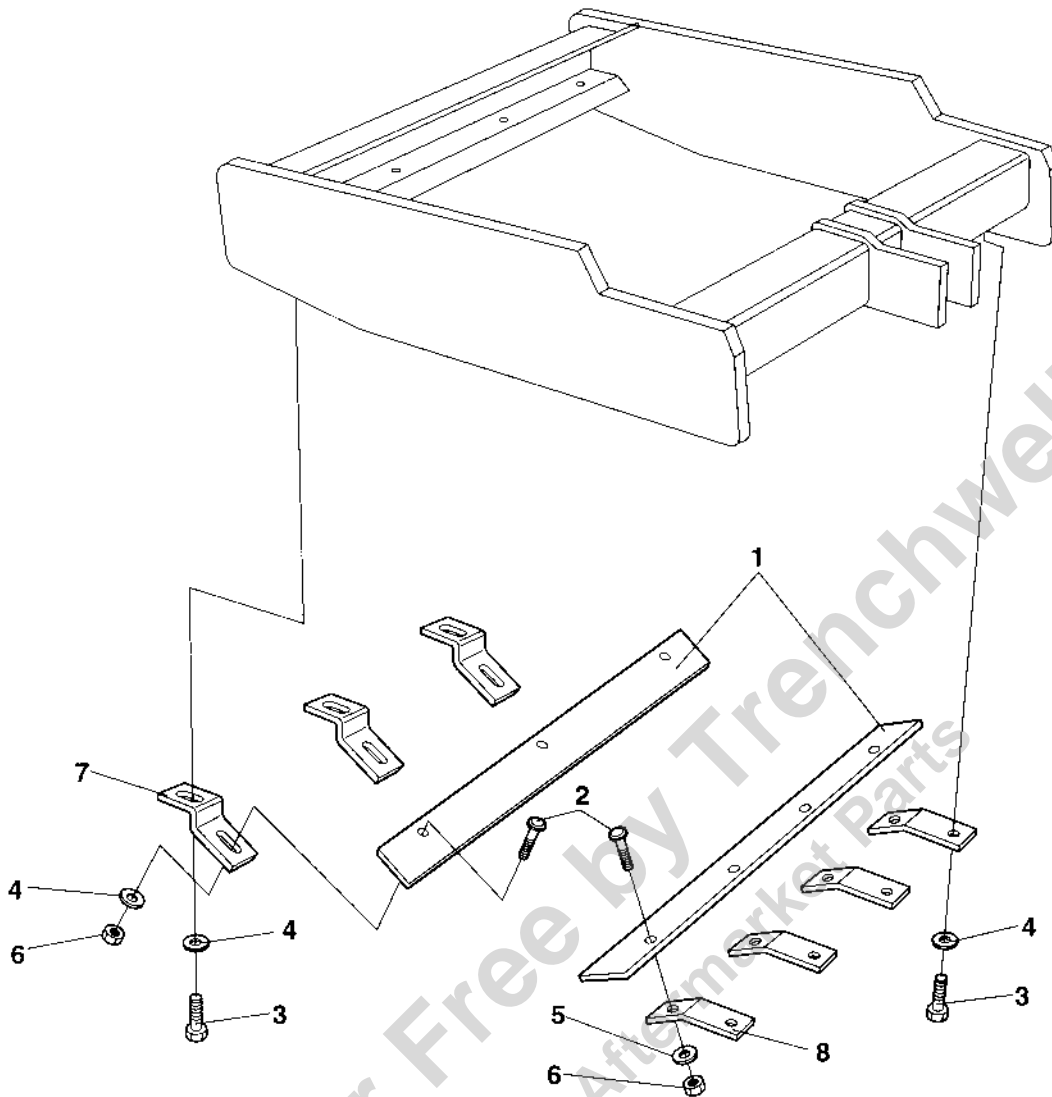
Scrapers urethan rubber Option

Item	Part No	Rem Qty	Description	Code
2	4700374362	2	Scraper	B
3	4700500056	11	Screw	
4	4700500049	7	Screw	
5	4700500046	14	Screw	
6	4700904213	28	Washer	
7	4700904231	22	Washer	13x24x2 300 HV
8	4700586019	18	Lock nut	
9	4700358025	3	Scraper bracket	
10	4700358026	4	Scraper bracket	
11	4700370100	2	Scraper bracket	
12	4700370101	2	Scraper bracket	

Provided for Free by Trenchwell.com
Shop Aftermarket Parts

Scrapers spring steel Option

17237



Provided for Free by Trenchwell.com
Shop Aftermarket Parts

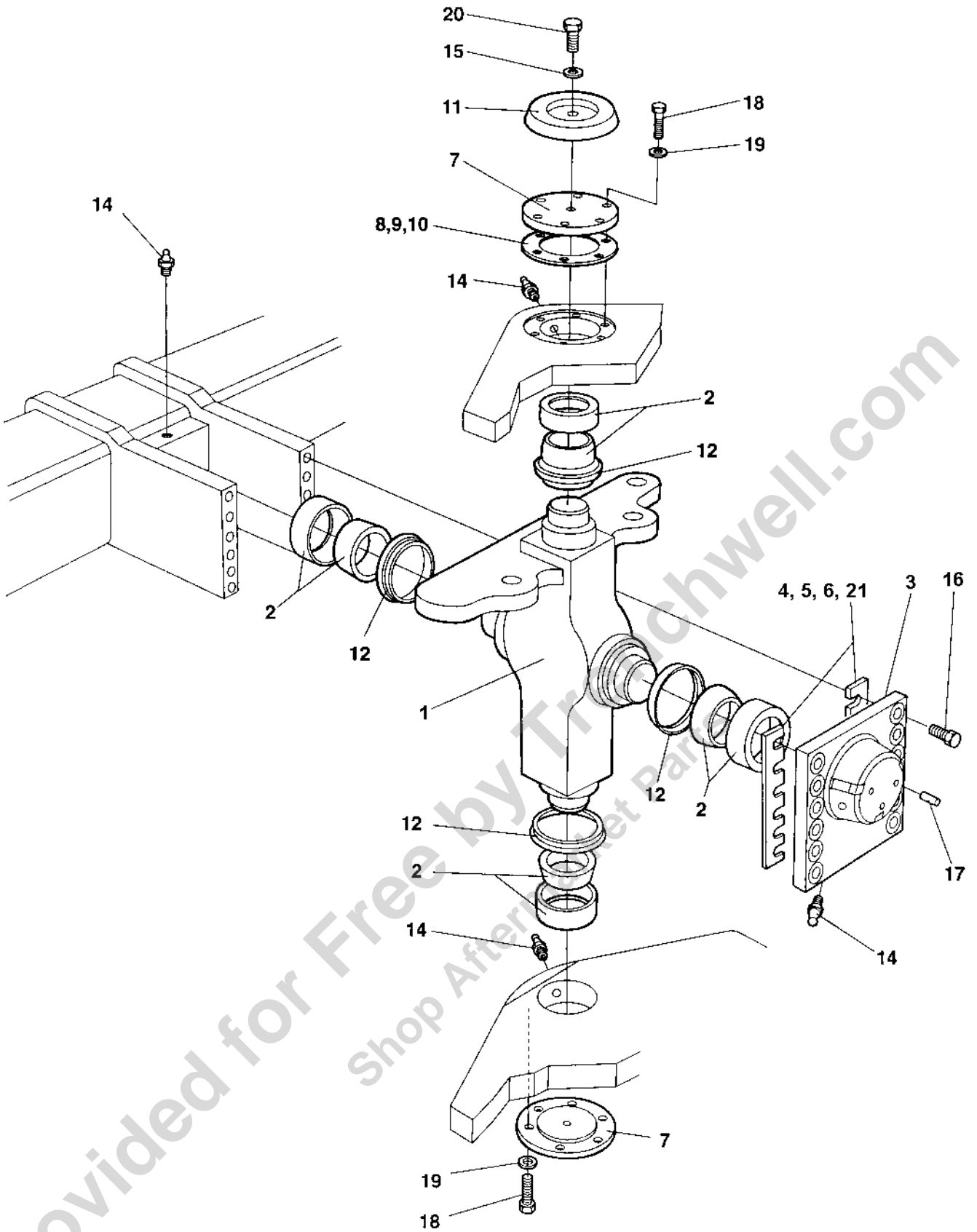
Scrapers spring steel Option

Item	Part No	Rem Qty	Description	Code
1	4700358031	2	Scraper	B
2	4700904342	7	Screw	M12x45
3	4700500037	14	Screw	
4	4700904213	17	Washer	
5	4700904231	4	Washer	13x24x2 300 HV
6	4700586019	7	Lock nut	
7	4700358025	3	Scraper bracket	
8	4700358026	4	Scraper bracket	

Provided for Free by Trenchwell.com
Shop Aftermarket Parts

Hitch

16083



Provided for Free by TractorParts.com
Shop Aftermarket Parts

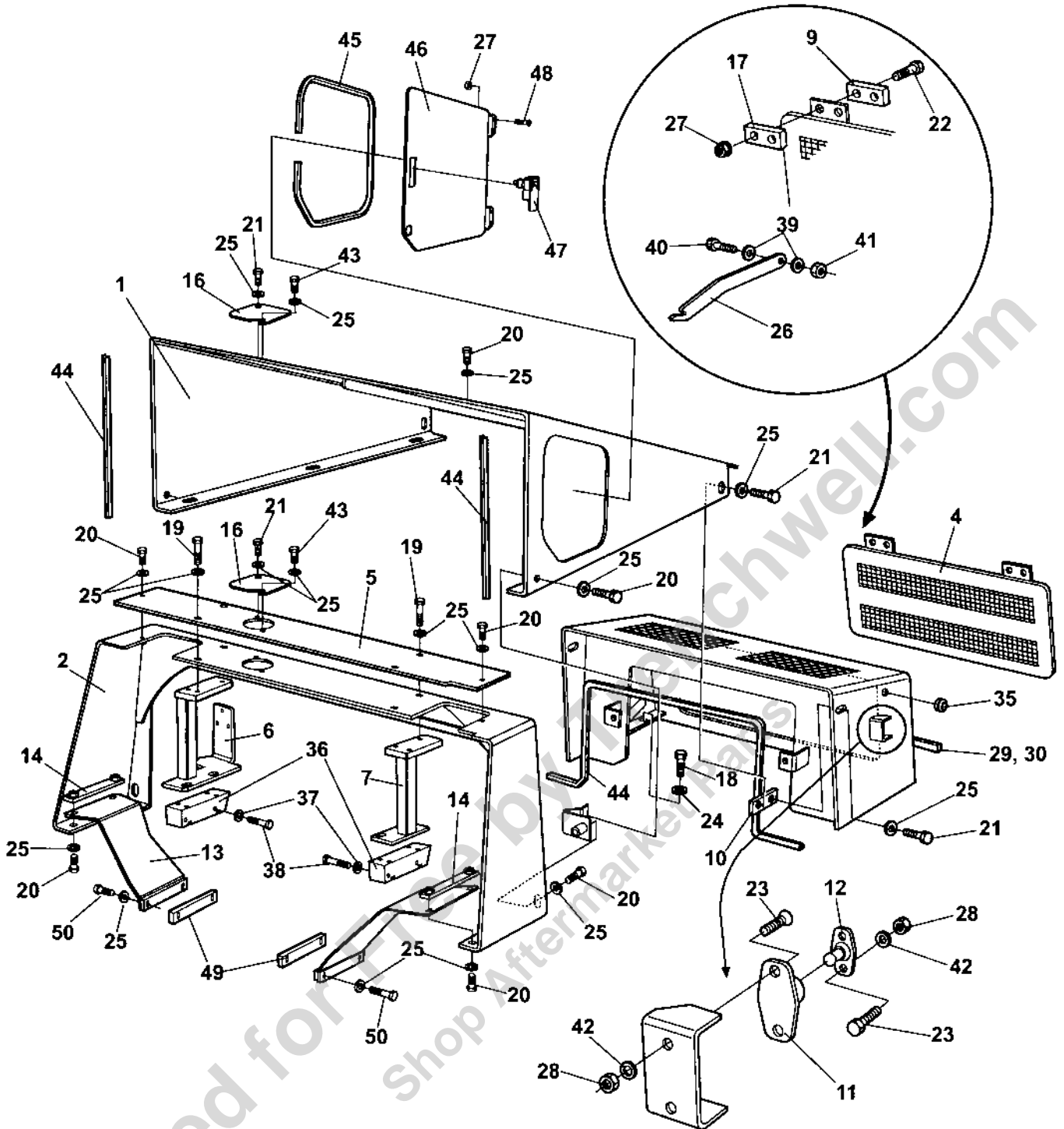
Hitch

Item	Part No	Rem Qty	Description	Code
1	4700374900	1	Hitch	
2	4700100040	4	Axial ball bearing	D
3	4700373421	1	Bearing cover	
4	4700345871	N	Shim	T=1,0 mm D
5	4700345872	N	Shim	T=0,35 mm D
6	4700345873	N	Shim	T=0,10 mm D
7	4700337042	2	Bearing cover	
8	4700337045	N	Shim	T=1,0 mm D
9	4700345874	N	Shim	T=0,35 mm D
10	4700345875	N	Shim	T=0,10 mm D
11	4700343159	1	Cover	
12	4700167032	4	Lip-type oil seal	D
14	4700926214	4	Grease fitting	D
15	4700904229	1	Washer	8,4x16x1,5
16	4700500287	12	Screw	M20x80 10,9
17	4700910995	3	Stop screw	
18	4700500037	12	Screw	
19	4700904231	12	Washer	13x24x2 300 HV
20	4700500018	1	Screw	M8-1,25x12 8,8
21	4700380993	N	Shim	T = 2,0 mm D
	4700384498	N	Shim	T = 0,15 mm D

Provided for Free by Trenchwell.com
Shop Aftermarket Parts

Structure

18485-2



Structure

Item	Part No	Rem	Qty	Description	Code
1	4700394500		1	Hood	
2	4700376340		1	Protecting cover	
3	4700394878		1	Hood	
4	4700382406		1	Rear cover	
5	4700376354		1	Cover	
6	4700392786		1	Holder, right	
7	4700376349		1	Holder, left	
8	4700376366		2	Holder	
9	4700380755		2	Holder	
10	4700380109		2	Holder	
11	4700450066		2	Door bumper	D
12	4700450067		2	Door bumper	D
13	4700381348		1	Holder	
14	4700381330		2	Holder	
15	4700381347		1	Holder	
16	4700381297		2	Cover	
17	4700380012		2	Holder	
18	4700500031		4	Screw	
19	4700500047		4	Screw	
20	4700500022		19	Screw	M8x30H 8.8 A2K
21	4700500053		6	Screw	M8x20H 8.8
22	4700924875		4	Screw	
23	4700904504		8	Screw	M5 x 18
24	4700904567		4	Washer	10,5x28x6 HB305
25	4700904640		34	Washer	8,4x22x3
26	4700382411		1	Hook	
27	4700902285		8	Lock nut	M6
28	4700586001		8	Lock nut	
29	4700902379	B	1XL	Edge trim	
30	4700902379	C	1XL	Edge trim	
35	4700791475	A	2	Grommet	
36	4700381989		2	Holder	
37	4700904231		4	Washer	13x24x2 300 HV
38	4700500133		4	Screw	
39	4700904228		2	Washer	6,4x12x1,5
40	4700500040		1	Screw	M6-1x20 8,8
41	4700586002		1	Lock nut	M6 -8
42	4700904281		8	Washer	5,3x10x1 300HV
43	4700500505		2	Screw	M8x20 8.8
44	4700902166	E	1XL	Edge trim	
45	4700202028	D	1XL	Edge trim	
46	4700394457		1	Cover	
47	4700792549		1	Lock	
48	4700513012		4	Screw	M6x20 10,9
49	4700384776		2	Spacer	
50	4700500023		4	Screw	M8-1,25x40 8,8

- A) With membrane
- B) L=0,330M
- C) L=0,550M
- D) L=1,060M
- E) L=2,062M

Provided for Free by Trenchwell.com
Shop Aftermarket Parts

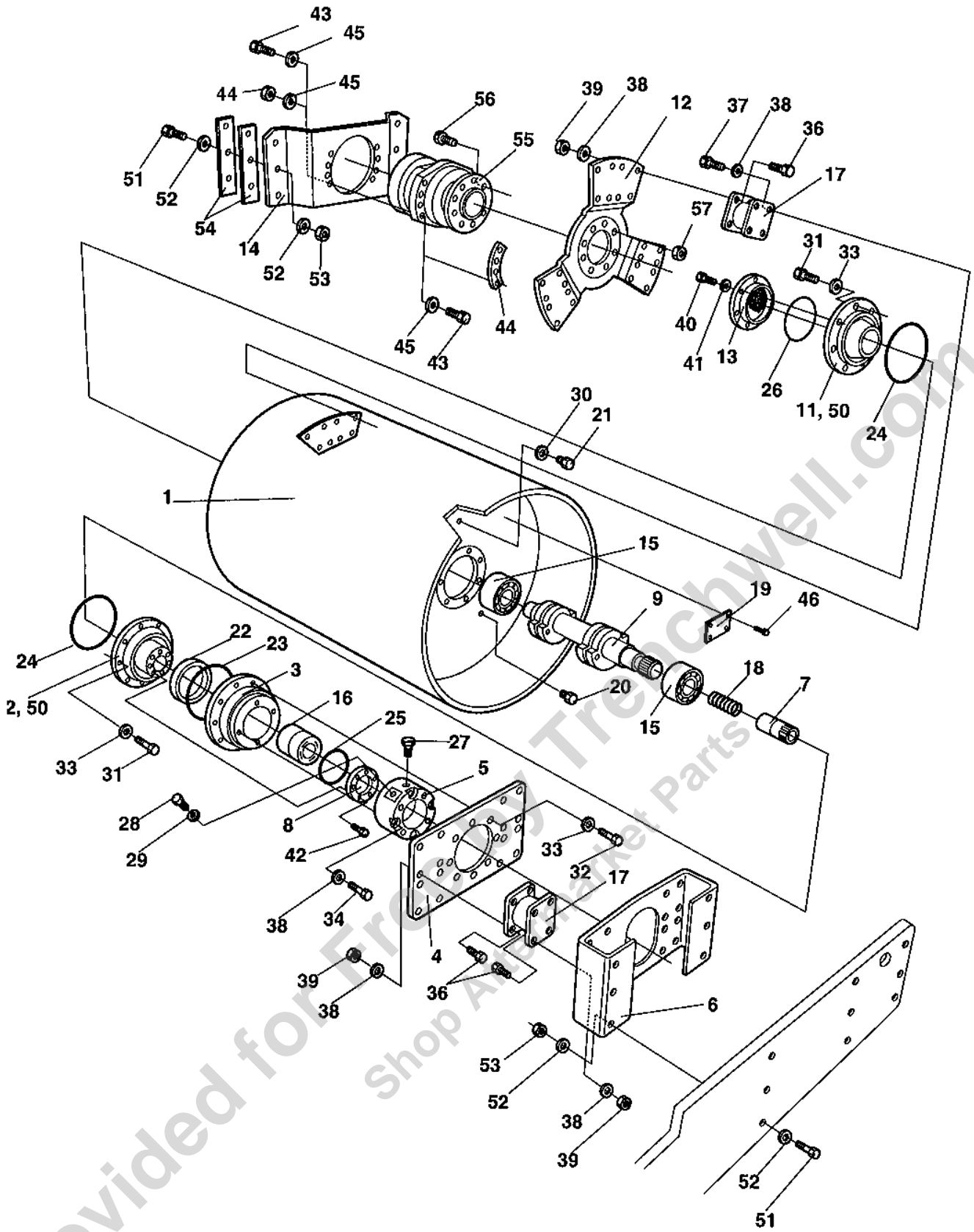
Drum

Item	Part No	Rem Qty	Description	Code
10			Drum (Page 42)	

Provided for Free by Trenchwell.com
Shop Aftermarket Parts

Drum

17254-1



Drum

Item	Part No	Rem	Qty	Description	Code
1	4700372634	1		Drum	
2	4700374836	1		Bearing housing	
3	4700343318	1		Bearing housing	D
4	4700343322	1		Holder plate	
5	4700343561	1		Motor adapter	
6	4700372641	1		Holder plate	
7	4700370365	1		Splined sleeve	
8	4700343462	1		Bearing cover	
9	4700372640	1		Eccentric	
11	4700374907	1		Bearing housing	
12	4700386286	1		Drive disc	
13	4700343907	1		Bearing cover	
14	4700372639	1		Holder plate	
15	4700114036	2		Spherical roller bearing	D
16	4700116041	1		Taper roller bearing	D
17	4700336742	10		Shock absorber	B
18	4700349715	1		Spring	
19	4700343801	1		Sign plate	
20	4700922552	1		Oil level glass	
21	4700343744	1		Magnetic plug	D
22	4700167023	1		Seal ring	D
23	4700929447	1		V-ring	D
24	4700160344	2		O-ring 70	D
25	4700160105	1		O-ring 70	D
26	4700160362	1		O-ring	
27	4700926736	1		Breather	B
28	4700370231	1		Plug	
29	4700162018	1		Sealing	D
30	4700162017	1		Seal ring	D
31	4700500076	16		Screw	M16x55
32	4700500076	8		Screw	M16x55
33	4700904232	24		Washer	
34	4700500133	4		Screw	
36	4700500194	56		Screw	
37	4700500046	24		Screw	
38	4700904231	84		Washer	13x24x2 300 HV
39	4700570007	56		Hexagon nut	M12
40	4700500028	6		Screw	
41	4700904230	6		Washer	
42	4700508019	8		Screw	M8x25
43	4700500208	8		Screw	M20x80
44	4700570015	8		Nut	M20
	4700385720	2	2	Mounting plate	
45	4700904233	16		Washer	21x36x3
46	4700527002	4		Drive screw	
50	4700900775	6		Plug	
51	4700500209	12		Screw	M20-2,5x90 8,8
52	4700904233	24		Washer	21x36x3
53	4700586022	12		Lock nut	M20-8
54	4700815056	N		Shim	
55		1	1	Hydraulic motor	
56		1	10	.Bolt	
57		1	10	.Nut	

- 1) See Hydraulic pages - Propulsion system, Front.
- 2) Replaces 8 pcs of nuts P/N 4700570015.

Provided for Free by Trenchwell.com
Shop Aftermarket Parts

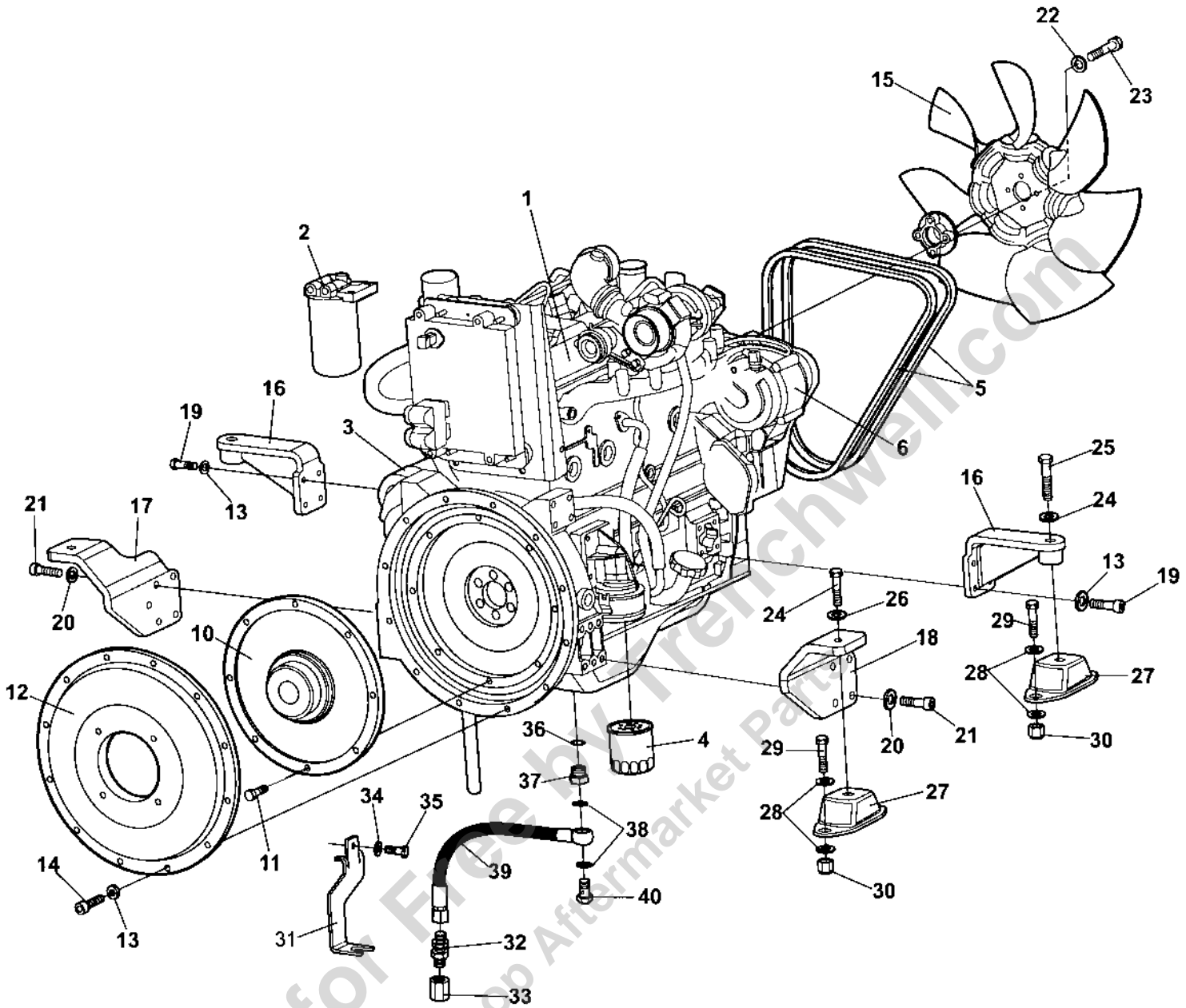
Engine

Item	Part No	Rem Qty	Description	Code
10			Engine (Page 46)	Cummins QSB3.3
20			Cooling system (Page 48)	
30			Combustion air system (Page 52)	
40			Fuel system (Page 54)	
50			Exhaust system (Page 56)	

Provided for Free by Trenchwell.com
Shop Aftermarket Parts

Engine Cummins QSB3.3

18718

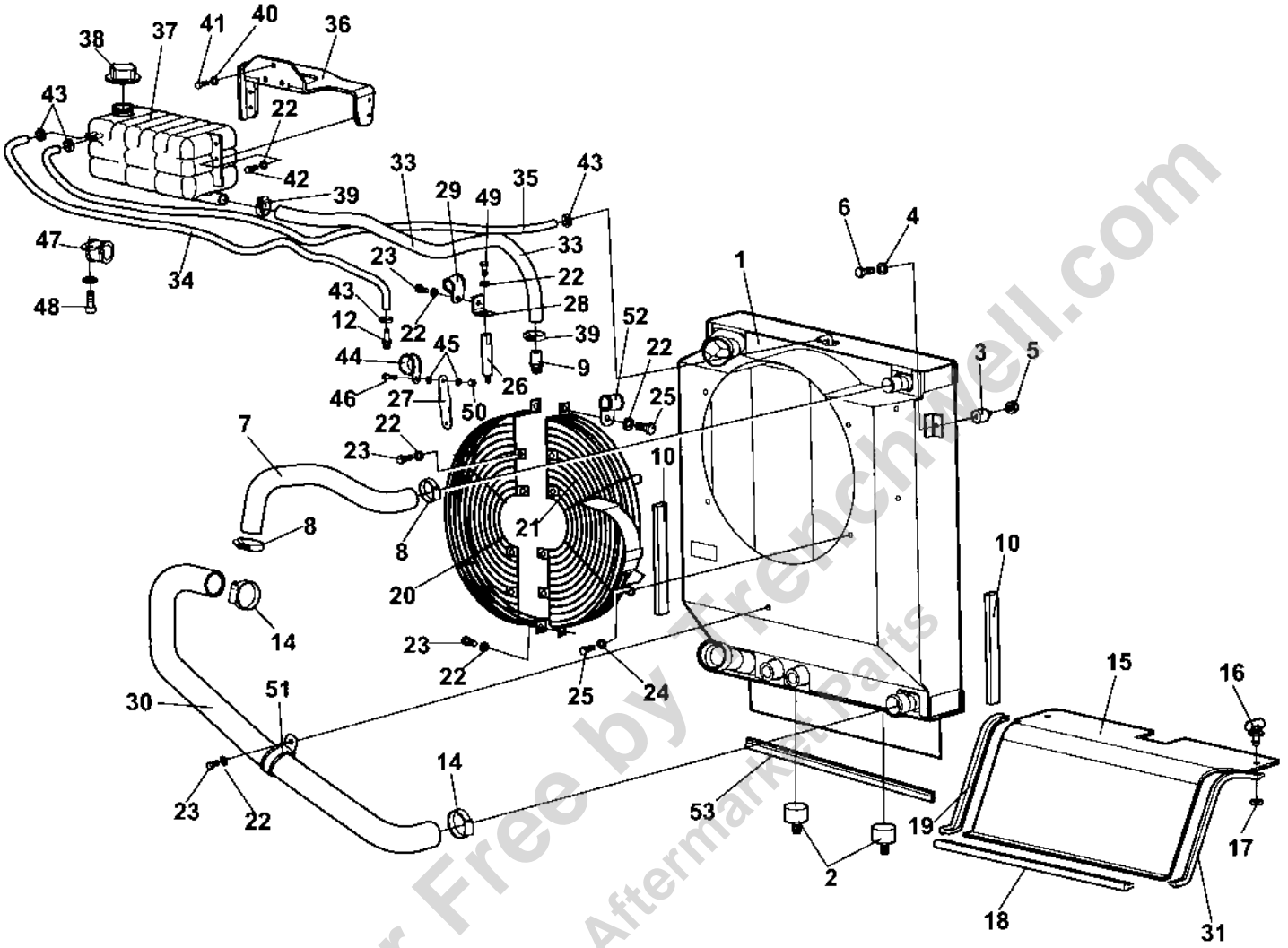


Engine Cummins QSB3.3

Item	Part No	Rem Qty	Description	Code
1	4700394346	1	Engine	Cummins QSB3.3
2	4700950302	1	.Fuel filter element	A
3	4700950303	1	.Starter	C
4	4700939068	1	.Oil filter element	A
5	4700950315	1	.V-belt	B
6	4700950304	1	.Alternator	C
10	4700370229	1	Coupling, cpl	
11	4700500030	8	Screw	
12	4700359403	1	Pump bracket	
13	4700904637	20	Washer	
14	4700508029	12	Screw	M10-1,5x30H 8,8
15	4700395957	1	Fan	
16	4700394610	2	Engine bracket	
17	4700394611	1	Engine bracket	
18	4700394612	1	Engine bracket	
19	4700500029	8	Screw	
20	4700904638	8	Washer	12x22x2
21	4700508079	8	Screw	M12-1,75x35H 8,8
22	4700904229	4	Washer	8,4x16x1,5
23	4700500025	4	Screw	M8-1,25x50 8,8
24	4700904232	4	Washer	
25	4700500165	2	Screw	M16-2,0x75 8,8
26	4700500076	2	Screw	M16x55
27	4700387129	4	Shock absorber	D
28	4700904703	16	Washer	
29	4700500194	8	Screw	
30	4700586019	8	Lock nut	
31	4700384721	1	Bracket	
32	4700230515	1	Connector	
33	4700330383	1	Cap hydraulic	
34	4700904640	1	Washer	8,4x22x3
35	4700500100	1	Screw	
36	4700330333	1	Copper washer	D
37	4700379480	1	Reducer	
38	4700330331	2	Washer	18,2x23,9x1,5
39	4700393116	1	Hose	
40	4700904292	1	Hollow screw	

Cooling system

18760



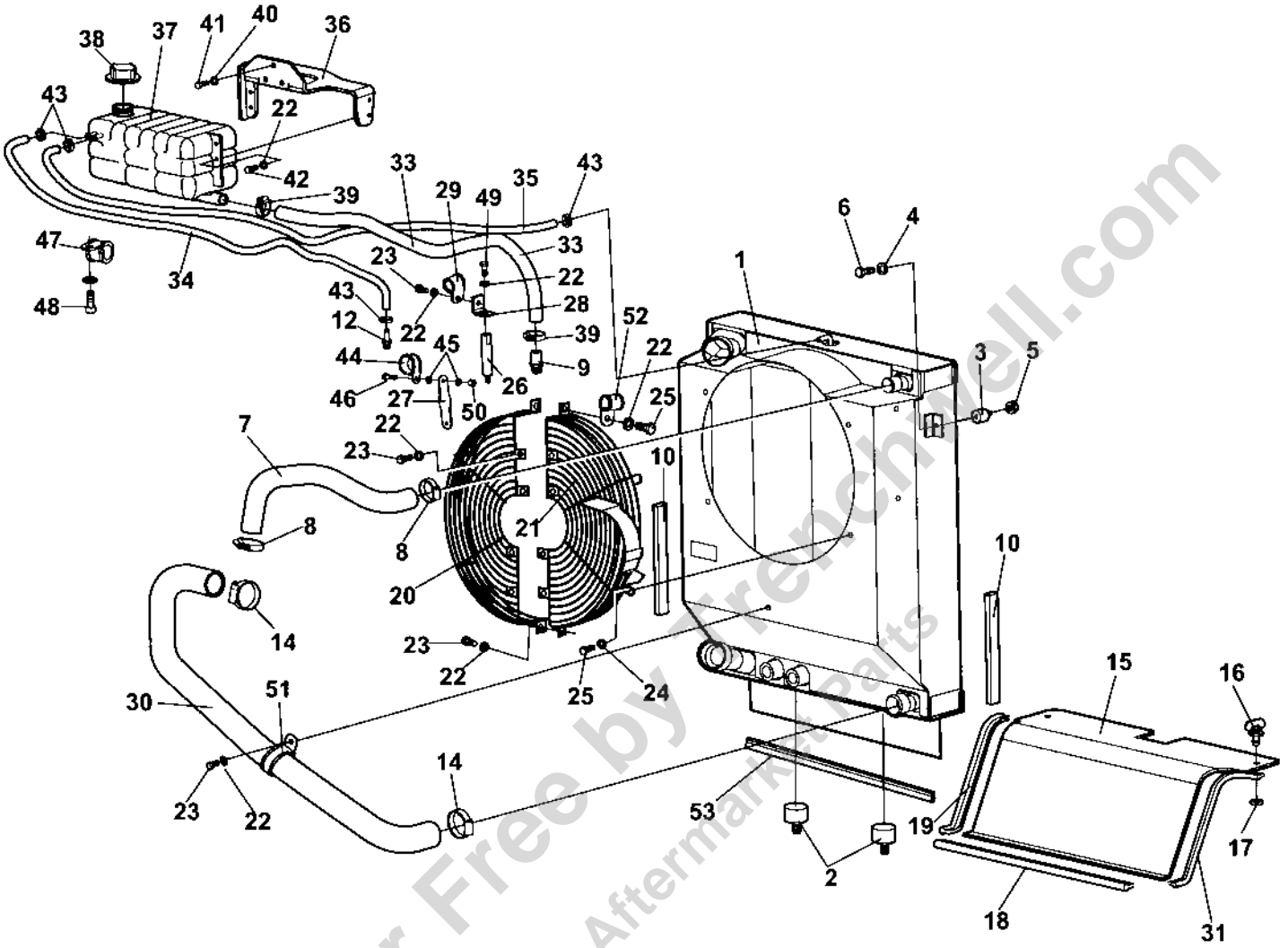
Cooling system

Item	Part No	Rem Qty	Description	Code
1	4700394497	1	Radiator	
	4700950334	1	.Water cooler	
	4700950335	1	.Oil cooler	
	4700950336	1	.Combustion air cooler	
	4700950337	1	.Fan housing	
2	4700904551	2	Shock absorber	
3	4700371774	2	Shock absorber	
4	4700904639	2	Washer	6,7x14x1,5
5	4700902285	2	Lock nut	M6
6	4700500012	2	Screw	M6x12
7	4700394620	1	Hose	
8	4700313008	2	Hose clamp	
9	4700384821	1	Connector	D
10	4700202043	A 2XL	Rubber strip	
12	4700792544	1	Connector	
14	4700313010	2	Hose clamp	
15	4700394863	1	Air inlet	
16	4700904486	2	Quick lock	
17	4700926985	2	Quick lock washer	
18	4700902166	B 1XL	Edge trim	
19	4700902166	C 1XL	Edge trim	
20	4700384814	1	Fan guard	
21	4700385306	1	Fan guard	
22	4700904229	14	Washer	8,4x16x1,5
23	4700500018	7	Screw	M8-1,25x12 8,8
24	4700904556	4	Washer	8,4x16x3,0
25	4700500019	5	Screw	M8x16H 8.8 A2K
26	4700393855	1	Distance screw	
27	4700394633	1	Holder	
28	4700908136	1	Bracket	
29	4700921050	1	Clamp	
30	4700394621	1	Hose	
31	4700904076	D 1XL	Edge trim	
33	4700205027	E 1XL	Coolant hose	
34	4700246069	F 1XL	Fuel hose	3/8"
35	4700246069	G 1XL	Fuel hose	3/8"
36	4700392170	1	Holder	
37	4700392313	1	Expansion tank	
38	4700903714	1	Cap	
39	4700313006	2	Hose clamp	
40	4700904230	3	Washer	
41	4700500028	3	Screw	
42	4700500021	4	Screw	M8-1,25x25 8.8
43	4700313075	4	Hose clamp	
44	4700921084	1	Pipe clamp	
45	4700904228	2	Washer	6,4x12x1,5
46	4700500040	1	Screw	M6-1x20 8,8
47	4700921031	1	Clamp	
48	4700500013	1	Screw	M6-1x16 8,8
49	4700500053	1	Screw	M8x20H 8.8
50	4700586002	1	Lock nut	M6 -8
51	4700904352	1	Clamp	

- A) L=0,280M
- B) L=0,620M
- C) L=0,330M
- D) L=0,580M
- E) L=1,200M
- F) L=1,600M
- G) L=1,700M

Cooling system

18760

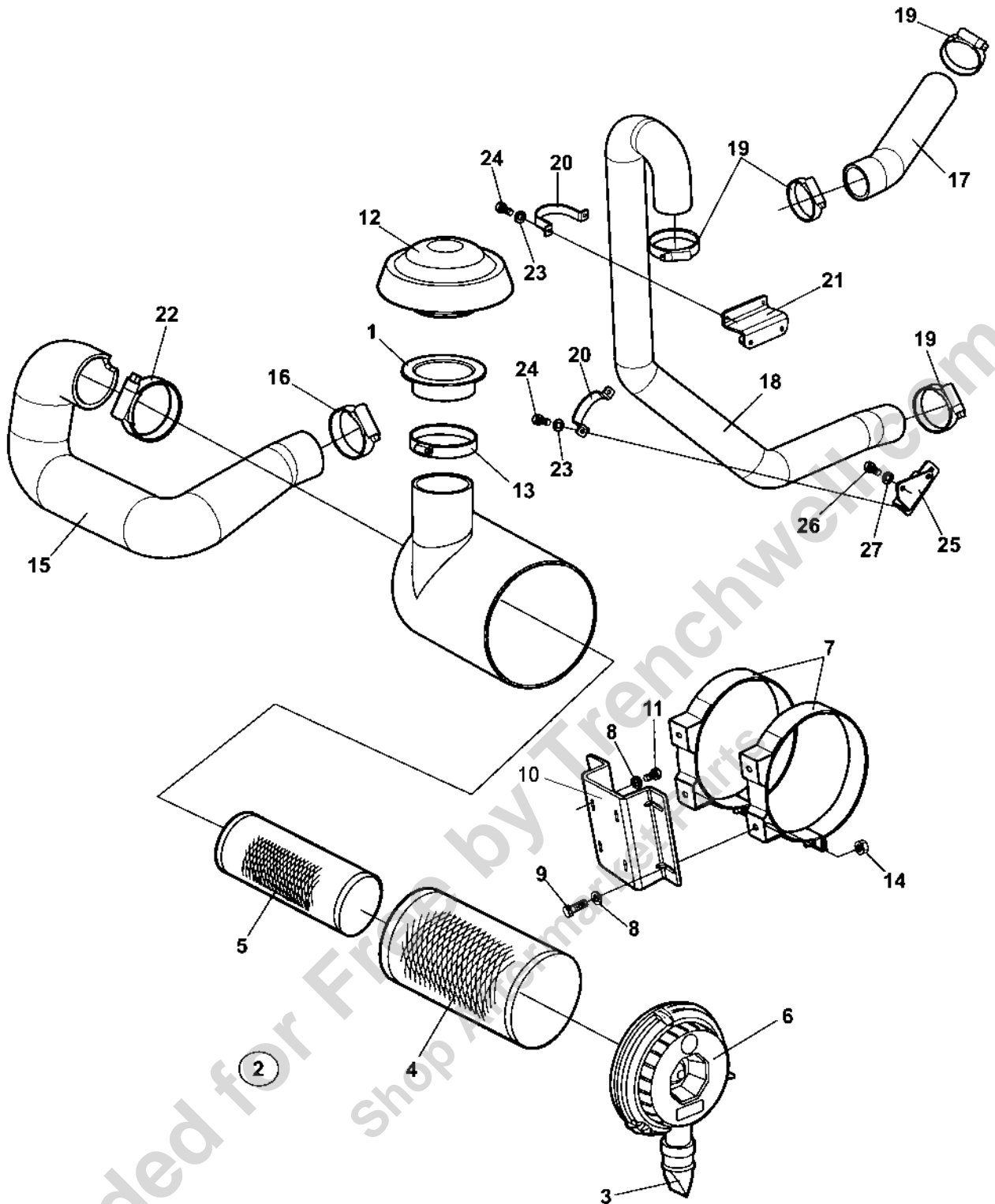


Provided for Free by www.FrenchParts.com
Shop Aftermarket Parts

Cooling system

Item	Part No	Rem	Qty	Description	Code
52	4700904346		1	Clamp	
53	4700904076	H	1XL	Edge trim	
H)	L=0,495M				

Provided for Free by Trenchwell.com
Shop Aftermarket Parts



Combustion air system

Item	Part No	Rem Qty	Description	Code
1	4700348309	1	Rubber bushing	
2	4700394680	1	Air cleaner Cpl	
3	4700908399	1	.Vacuator valve	D
4	4700394686	1	.Air filter element, main	A
5	4700394687	1	.Air filter element, safety	A
6	4700395022	1	.Cover	
7	4700813791	2	Mounting band	
8	4700904556	8	Washer	8,4x16x3,0
9	4700500053	4	Screw	M8x20H 8.8
10	4700393085	1	Filter bracket	
11	4700500021	4	Screw	M8-1,25x25 8.8
12	4700499266	1	Protection cover	
13	4700904060	1	Hose clamp	
14	4700586003	4	Lock nut	M8
15	4700394614	1	Air inlet hose	
16	4700392810	1	Hose clamp	
17	4700394615	1	Charge air hose	
18	4700394616	1	Charge air hose	
19	4700386966	4	Hose clamp	2.3/4"-3.5/8"
20	4700393097	2	Clamp	
21	4700394918	1	Bracket	
22	4700389600	1	Hose clamp	
23	4700904228	4	Washer	6,4x12x1,5
24	4700500040	4	Screw	M6-1x20 8,8
25	4700394921	1	Bracket	
26	4700500048	2	Screw	M10-1,5x20 8,8
27	4700904230	2	Washer	

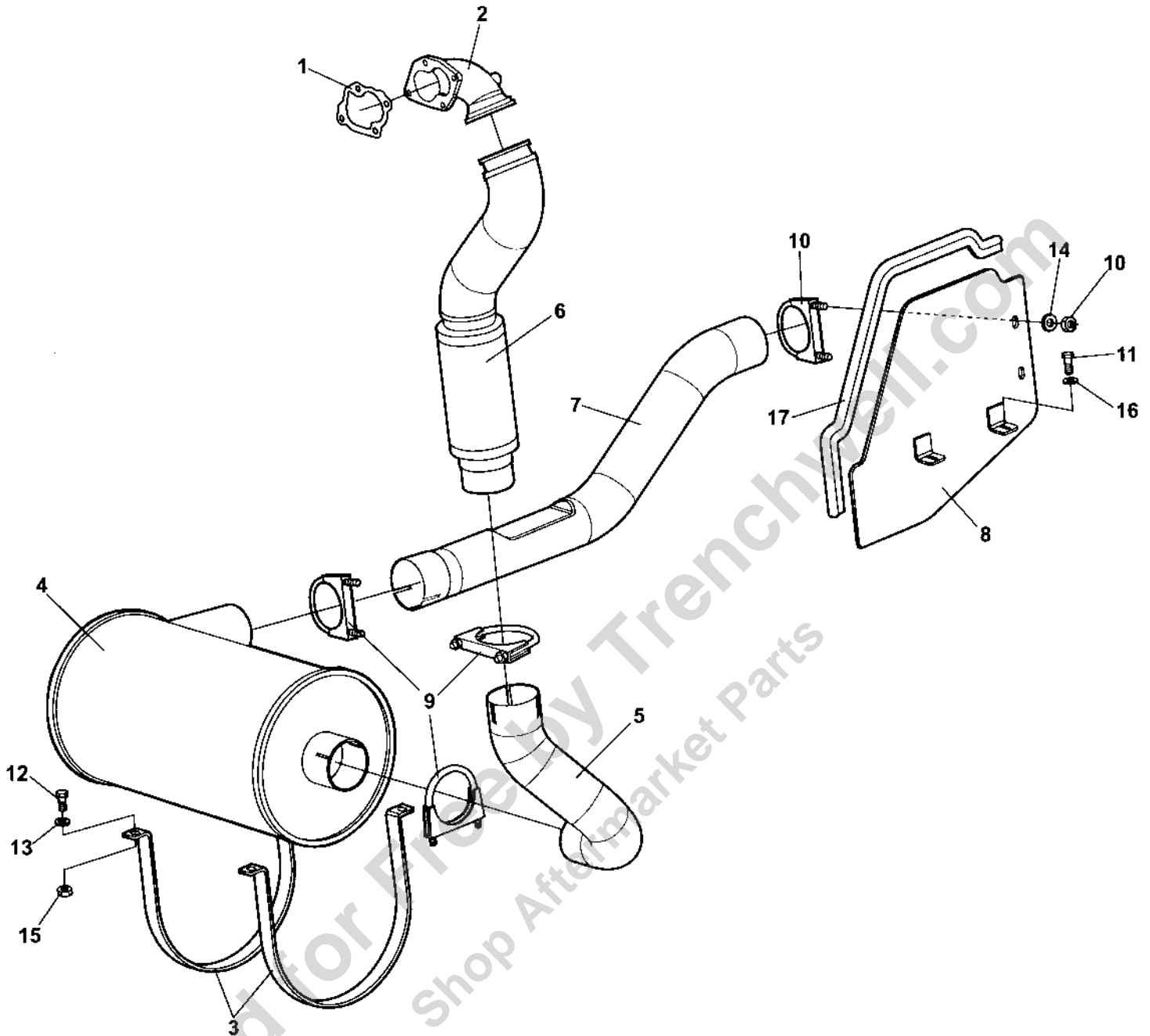
Provided for Free by Trenchwell.com
Shop Aftermarket Parts

Fuel system

Item	Part No	Rem	Qty	Description	Code
1	4700373460		1	Fuel cap	D
2	4700904695		1	Fuel level sender	D
	4700945777		1	Gasket	
3	4700747282		8	Copper washer	
4	4700330171		3	Hollow screw	
5	4700373574		2	Hose connection	
6	4700244054	A	1XL	Hose reinforced	
7	4700313002		2	Hose clamp	13-20 mm
8	4700904281		5	Washer	5,3x10x1 300HV
9	4700500006		5	Screw	M5x16
10	4700904230		2	Washer	
11	4700500029		2	Screw	
12	4700330170		4	Banjo nipple	
13	4700234919		1	Screw	M12-1,5-24-3
14	4700904985	B	1XL	Fuel hose	D
15	4700904985	C	1XL	Fuel hose	D
16	4700923008		1	Clamp	
17	4700313001		6	Hose clamp	
18	4700313041		1	Cable ties	
19	4700904985	D	1XL	Fuel hose	D
20	4700904637		1	Washer	
21	4700500029		1	Screw	
30	4700950301		1	Pre-fuel filter element	A

- A) L=0,650M
- B) L=2,050M
- C) L=1,700M
- D) L=0,500M

Provided for Free by Trenchwell.com
Shop Aftermarket Parts



Provided for Free by TrencherWell.com
Shop Aftermarket Parts

Exhaust system

Item	Part No	Rem Qty	Description	Code
1	4700395108	1	Gasket	
2	4700391962	1	Exhaust pipe	
3	4700373625	2	Clamp	
4	4700373624	1	Muffler	D
5	4700394793	1	Exhaust pipe	
6	4700394618	1	Exhaust pipe	
7	4700394794	1	Exhaust pipe	
8	4700394883	1	Bracket	
9	4700313094	3	Pipe clamp	
10	4700313093	1	Pipe clamp	
11	4700500053	2	Screw	M8x20H 8.8
12	4700500031	4	Screw	
13	4700904230	4	Washer	
14	4700904640	2	Washer	8,4x22x3
15	4700902287	4	Nut	
16	4700904556	2	Washer	8,4x16x3,0
17	4700902166	A 1XL	Edge trim	

A) L=0,600M

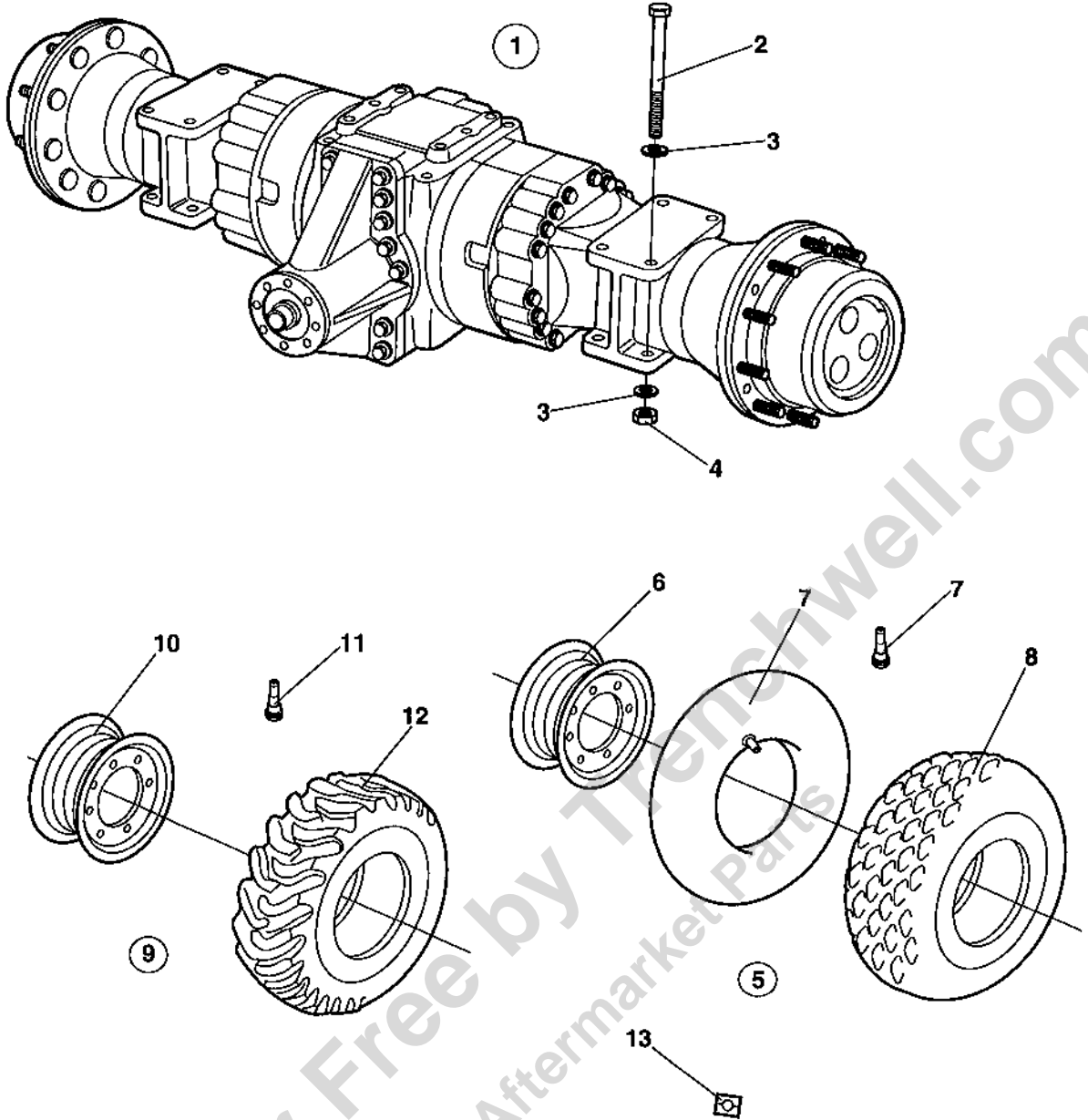
Provided for Free by Trenchwell.com
Shop Aftermarket Parts

Provided for Free by Trenchwell.com
Shop Aftermarket Parts

Transmission

Item	Part No	Rem Qty	Description	Code
10			Rear axle and wheels (Page 60)	
20	4700384789		Rear axle (Page 62)	

Provided for Free by Trenchwell.com
Shop Aftermarket Parts

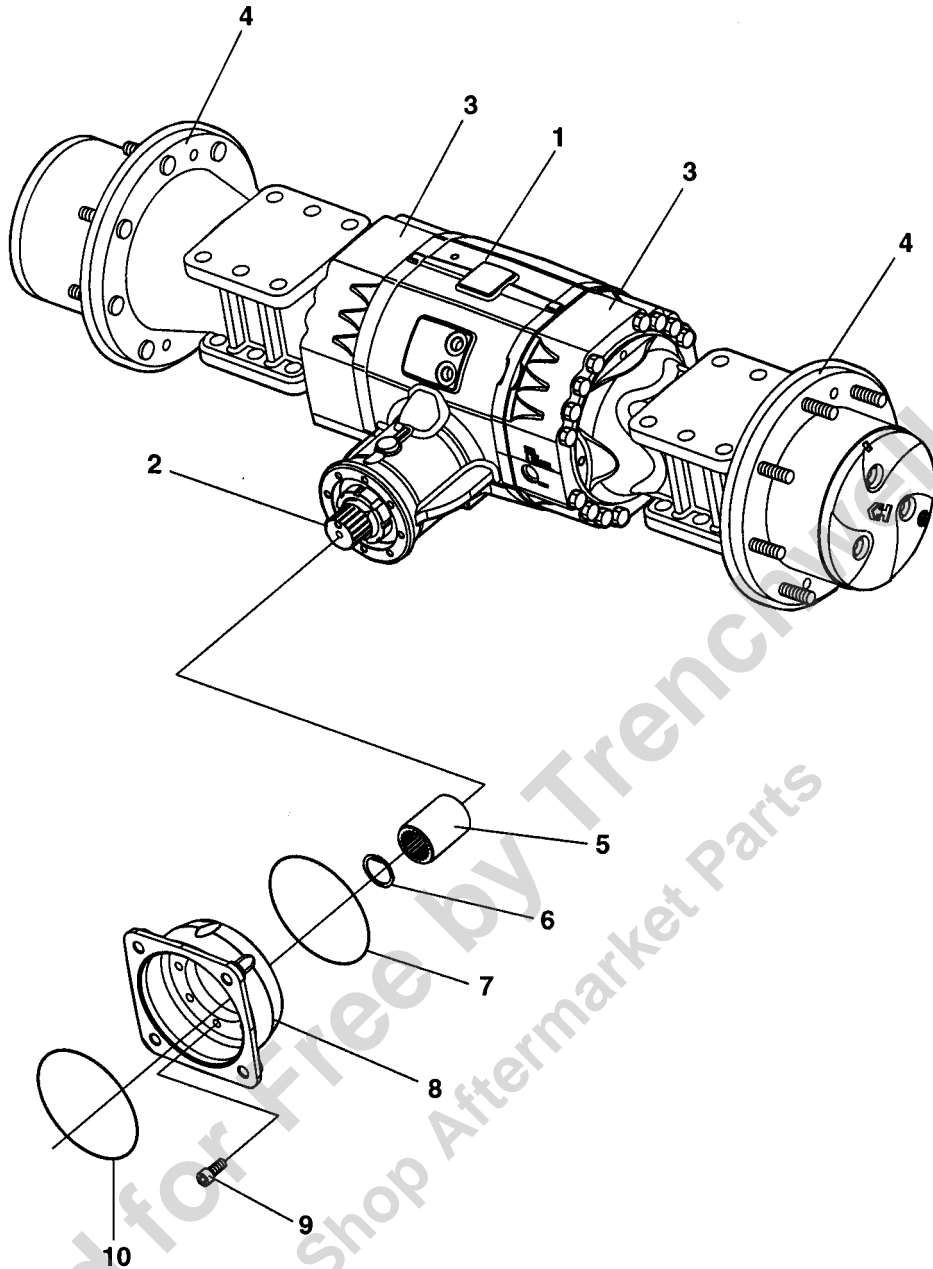


Rear axle and wheels

Item	Part No	Rem	Qty	Description	Code
1	4700384789		1	Rear axle (Page 62)	
2	4700500295		8	Screw	M20x240
3	4700904233		16	Washer	21x36x3
4	4700901145		8	Lock nut	M20-10
5	4700379545	G	2	Wheel, cpl	
	4700379548	A,G	1	Wheel, cpl	
6	4700371594		1	.Rim	
7	4700792261	H	1	.Air charging valve	Straight
8	4700379531		1	.Tyre	
9	4700379546	B,G	1	Tractor tyre, cpl	
	4700379547	C,G	1	Tractor tyre, cpl	
	4700379549	D,G	1	Tractor tyre, cpl	
	4700379550	E,G	1	Tractor tyre, cpl	
10	4700371594		1	.Rim	
11	4700792261		1	.Air charging valve	Straight
12	4700379532		1	.Tyre	
13	4700903985	F	2	Decal "SAFETY", "TYRE IN BALLAST"	

- A) Liquidfilled, option
- B) Left, option
- C) Right, option
- D) Liquid filled, left, option
- E) Liquid filled, right, option
- F) Used with Liquid filled tyres.
- G) Tubeless tyre.
- H) Used with tubeless Wheel cpl.

Provided for Free by Trenchwell.com
Shop Aftermarket Parts



Provided for Free by Trench.com
Shop Aftermarket Parts

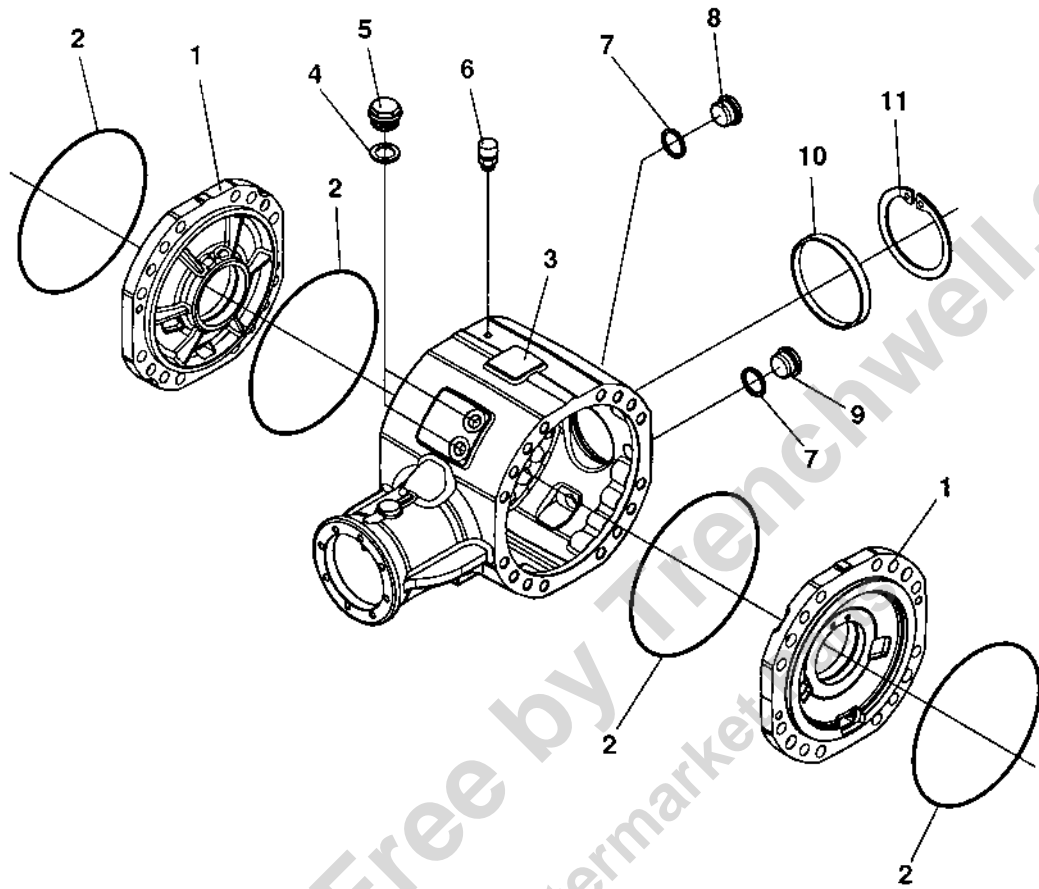
4700384789 Rear axle

Item	Part No	Rem Qty	Description	Code
1		1	Housing (Page 64)	
2		2	Differential with limited slip (Page 66)	
3		1	Brakes (Page 68)	
4		2	Planet gear (Page 70)	
5	4700901833	1	Splined sleeve	
6	4700909632	1	Snap ring	
7	4700929648	1	O-ring	D
8	4700909631	1	Flange	
9	4700929712	8	Screw	
10	4700909630	1	O-ring	D

Provided for Free by Trenchwell.com
Shop Aftermarket Parts

Housing

17490



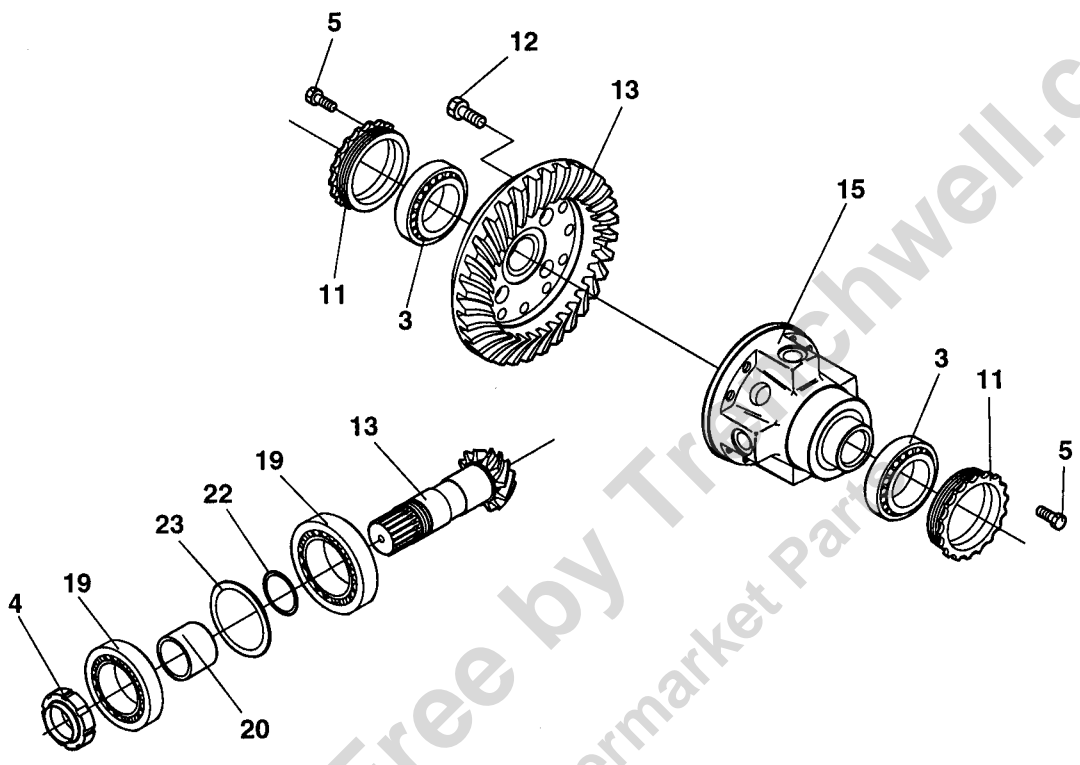
Housing

Item	Part No	Rem Qty	Description	Code
1	4700938980	2	Cover	
2	4700938981	4	O-ring	
3	4700938982	1	Housing	
4	4700938983	2	Sealing washer	
5	4700909544	4	Screw	
6	4700938984	1	Vent nipple	
7	4700909607	2	Seal	D
8	4700938985	1	Magnetic plug	
9	4700909596	1	Plug	
10	4700938986	1	Plug	
11	4700938987	1	Circlip	

Provided for Free by Trenchwell.com
Shop Aftermarket Parts

Differential with limited slip

17491



Provided for Free by Trackedwell.com
Shop Aftermarket Parts

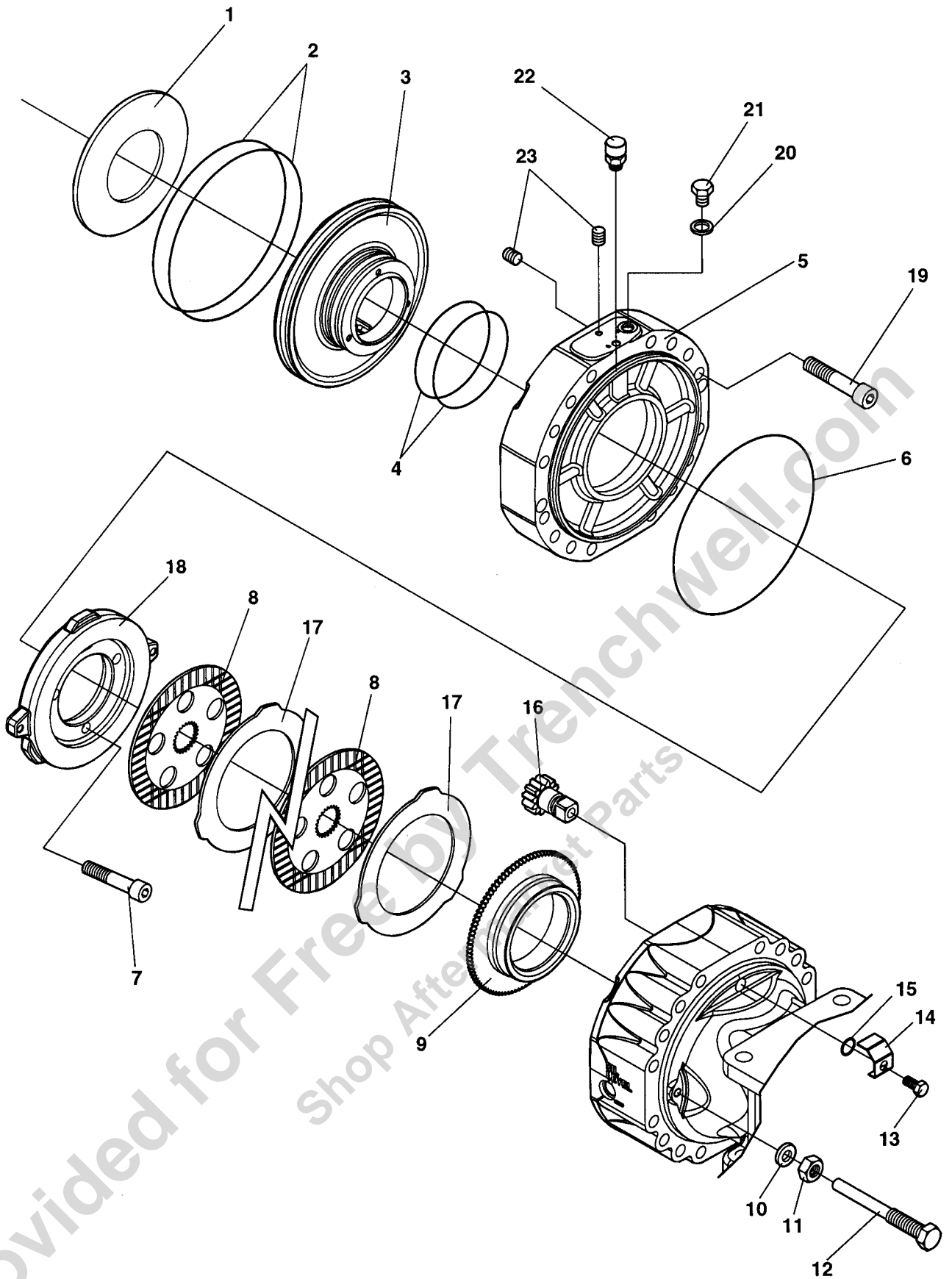
Differential with limited slip

Item	Part No	Rem Qty	Description	Code
3	4700936023	2	Bearing	
4	4700938988	1	Ring nut	
5	4700938989	2	Screw	
11	4700938990	2	Ring nut	
12	4700938991	12	Screw	
13	4700938992	1	Gear set	
15	4700938994	1	Limited slip disc	
19	4700926116	2	Bearing	
20	4700938995	1	Spacer	
22	4700936053	1	Shim	0.15mm
	4700936054	1	Shim	0.20mm
	4700936055	1	Shim	0.40mm
	4700936056	1	Shim	0.50mm
23	4700938996	1	Shim	0,20 mm
	4700938997	1	Shim	0,30 mm
	4700938998	1	Shim	0,15 mm
	4700938999	1	Shim	0,10 mm

Provided for Free by Trenchwell.com
Shop Aftermarket Parts

Brakes

17494



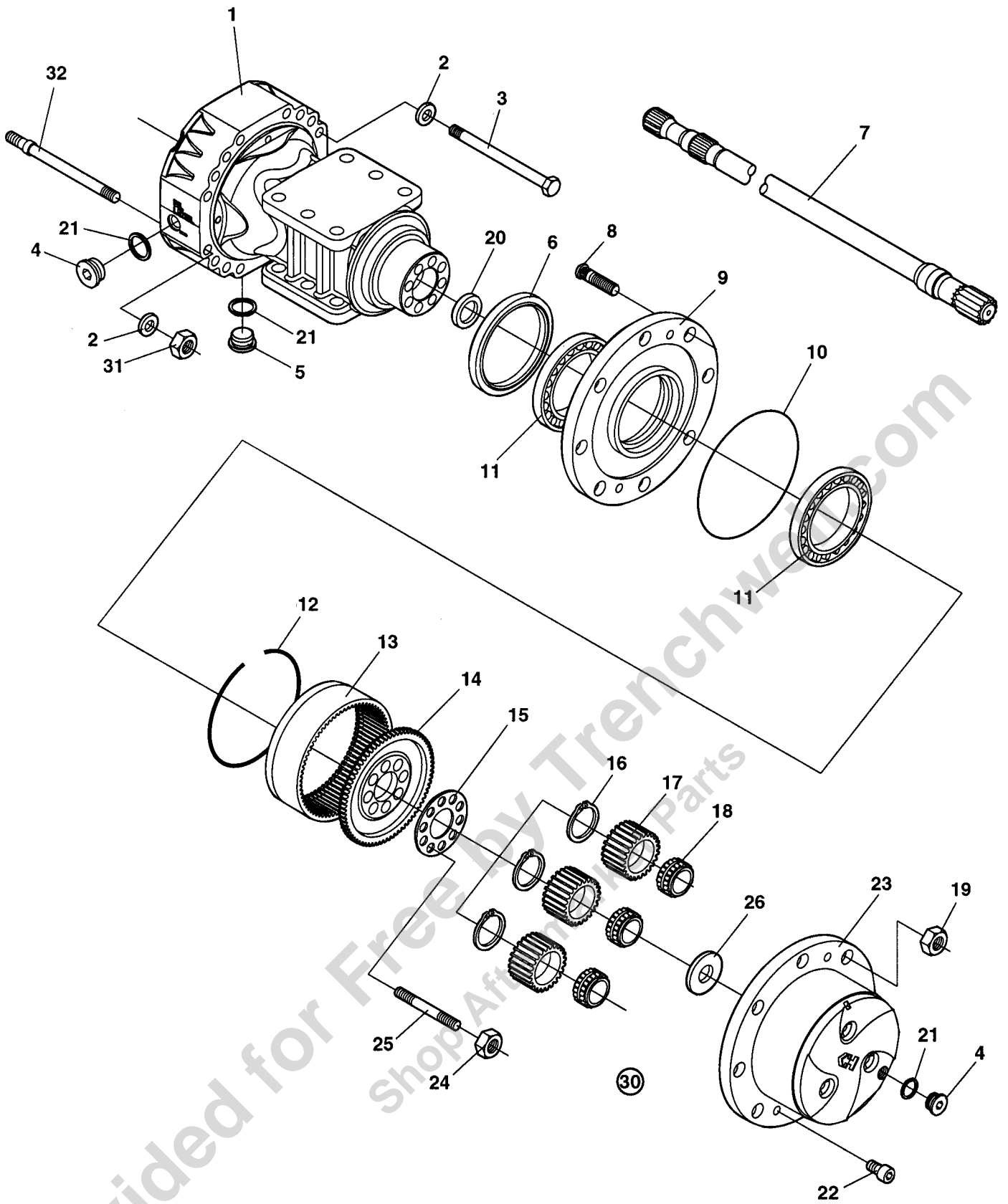
Brakes

Item	Part No	Rem Qty	Description	Code
1	4700909616	2	Spring	
2	4700939021	4	O-ring	
3	4700939022	2	Piston	
4	4700939023	4	O-ring	
5	4700939024	2	Cover	
6	4700939025	2	O-ring	
7	4700939026	6	Screw	
8	4700939027	8	Brake disc	
9	4700939028	2	Ring	
10	4700939029	4	Lock washer	
11	4700900957	4	Nut	
12	4700939030	4	Adjusting bolt	
13	4700909547	2	Screw	
14	4700939031	2	Plate	
15	4700939032	2	O-ring	
16	4700936097	2	Pinion	
17	4700939033	8	Brake disc	
18	4700939034	2	Disc	
19	4700939035	4	Screw	
20	4700939036	2	Sealing washer	
21	4700939037	2	Screw	
22	4700939038	2	Vent nipple	
23	4700939039	4	Stop screw	

Provided for Free by Trenchwell.com
Shop Aftermarket Parts

Planet gear

17493



Planet gear

Item	Part No	Rem Qty	Description	Code
1	4700939002	1	Housing	
2	4700939003	16	Spring washer	
3	4700939004	12	Screw	
4	4700909596	2	Plug	
5	4700939005	1	Magnetic plug	
6	4700939006	1	Seal	
7	4700939007	1	Shaft	
8	4700926781	8	Wheel screw	
9	4700939008	1	Wheel hub	
10	4700936020	1	O-ring	D
11	4700939009	2	Bearing	
		1	1	
		1	1	
		1	1	
15	4700939010	1	Lock plate	
16	4700939011	1	3 Circlip	
17	4700939012	1	3 Planet gear	
18	4700939013	1	3 Bearing	
19	4700901987	8	Wheel nut	
20	4700939014	1	Seal	
21	4700909607	3	Seal	D
22	4700939015	2	Screw	
		1	1	
24	4700939016	8	Nut	
25	4700939017	8	Stud	
		1	1	
30	4700939018	1	Planet gear carrier Cpl.	
31	4700939019	4	Nut	
32	4700939020	4	Stud	
1)	Included in ref. 30			

Provided for Free by Trenchwell.com
Shop Aftermarket Parts

Provided for Free by Trenchwell.com
Shop Aftermarket Parts

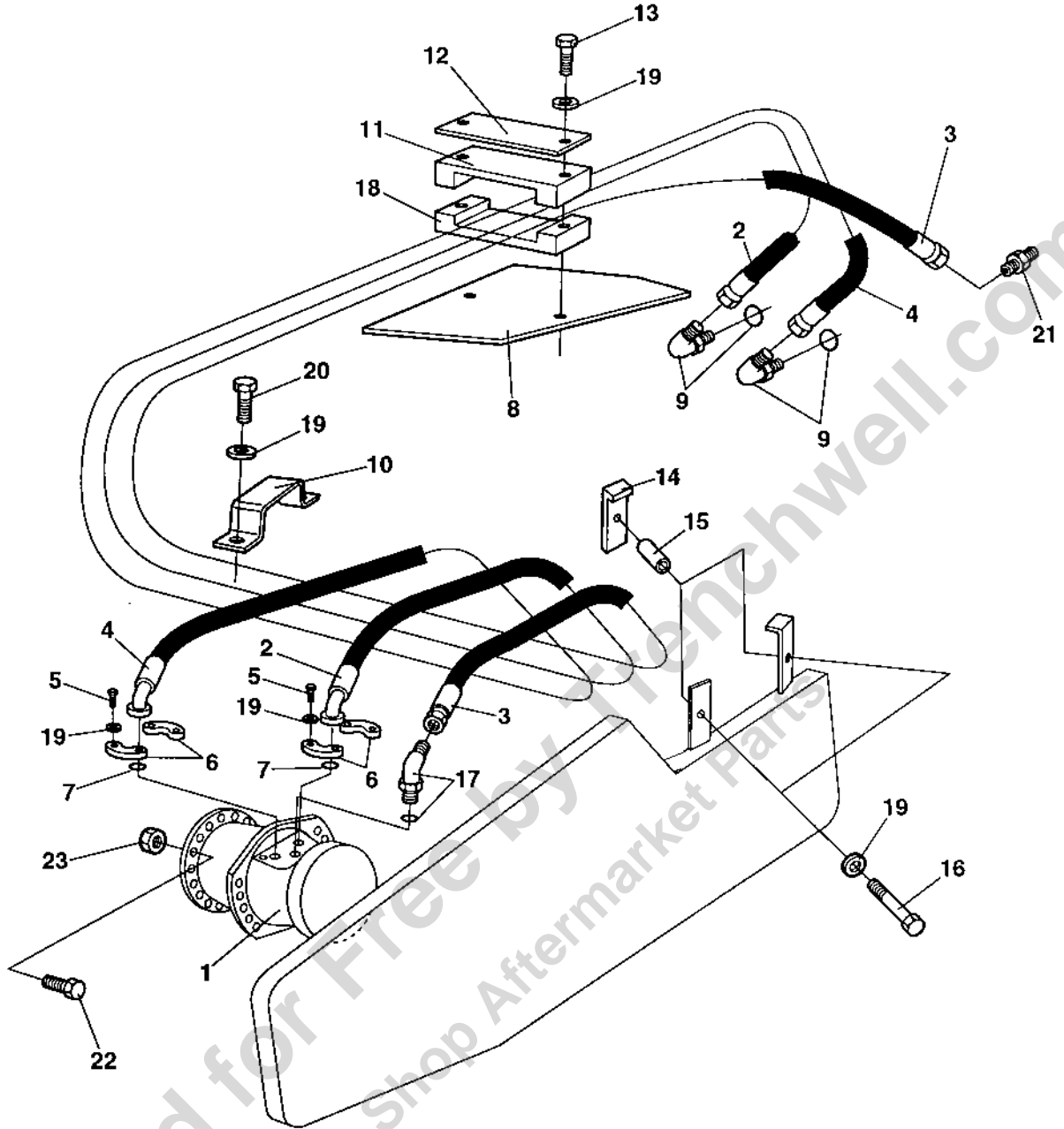
Hydraulic system

Item	Part No	Rem Qty	Description	Code
5			Propulsion system, Front (Page 74)	
10			Propulsion system, Rear (Page 76)	
15	4700384598		Hydraulic motor (Page 84)	
20			Vibration system (Page 86)	
30			Steering system (Page 92)	
40			Brake system (Page 100)	
45			Hydraulic oil tank (Page 94)	
50			Variable rear axle motor (Page 102)	Option
60	4700383855		Rear axle (Page 104)	Limited Slip
70			Central test panel hydraulic (Page 114)	Option

Provided for Free by Trenchwell.com
Shop Aftermarket Parts

Propulsion system, Front

17431



Provided for Free by [Frenchwell.com](http://www.Frenchwell.com)
Shop Aftermarket Parts

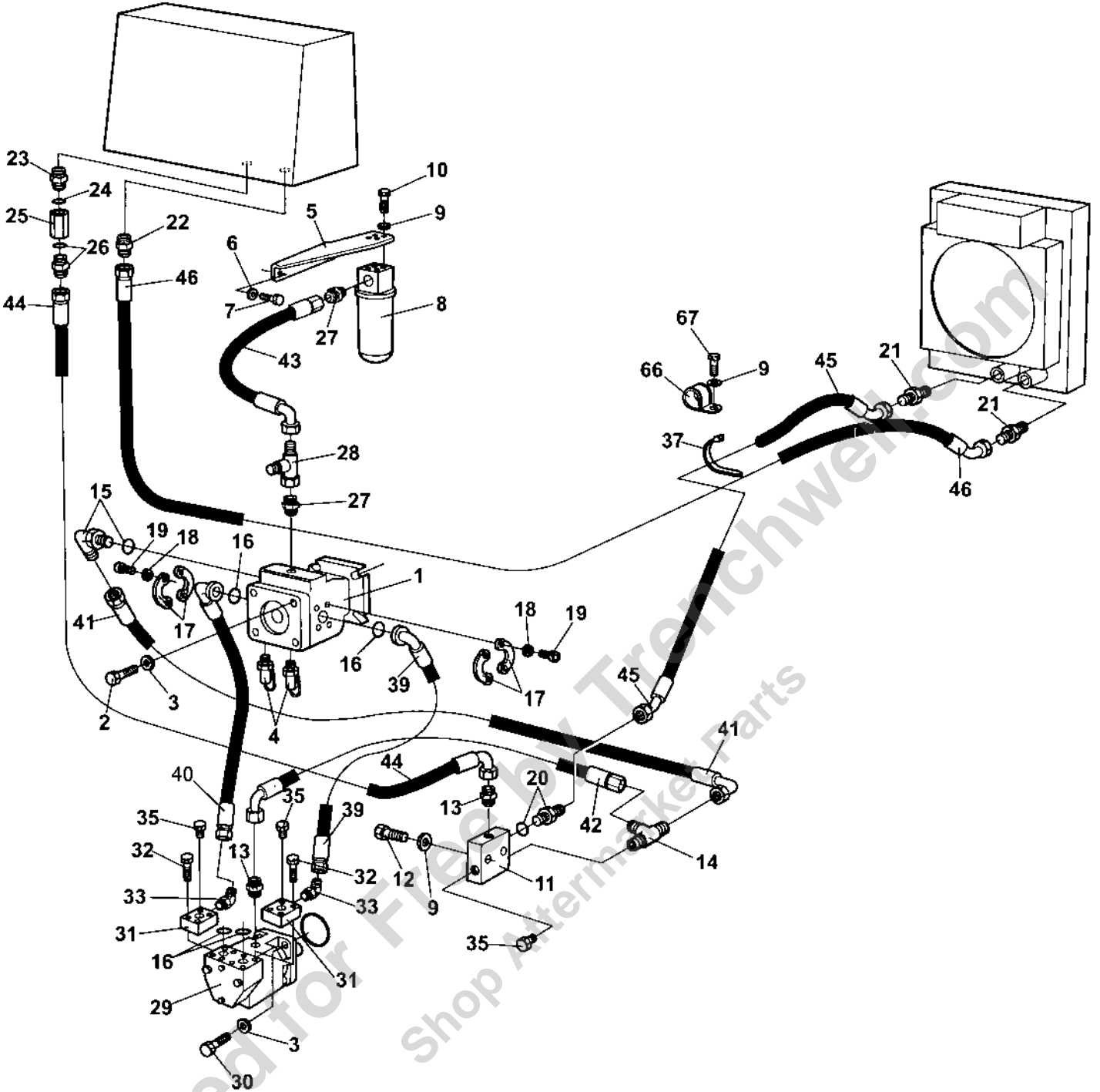
Propulsion system, Front

Item	Part No	Rem Qty	Description	Code
1	4700384790	1	Propulsion motor	C
2	4700483553	1	Hydraulic hose	
3	4700483133	1	Hydraulic hose	
4	4700483554	1	Hydraulic hose	
5	4700500030	8	Screw	
6	4700929226	4	Flange half	
7	4700904004	2	O-ring	D
8	4700349211	1	Hose protection	
9	4700791231	2	Elbow 90	D
10	4700373395	1	Hose clamp	
11	4700343732	1	Hose clamp	
12	4700335914	1	Cover plate	
13	4700500077	2	Screw	
14	4700373270	2	Hose clamp	
15	4700373423	2	Spacer	
16	4700500033	2	Screw	M10-1,5x60 8,8
17	4700813500	1	Elbow 45, O-ring	
18	4700343872	1	Hose clamp	D
19	4700904637	14	Washer	
20	4700500028	2	Screw	
21	4700334122	1	Adapter	
22	4700936727	10	Stud	M22
23	4700936728	10	Nut	M22

Provided for Free by Trenchwell.com
Shop Aftermarket Parts

Propulsion system, Rear

18727

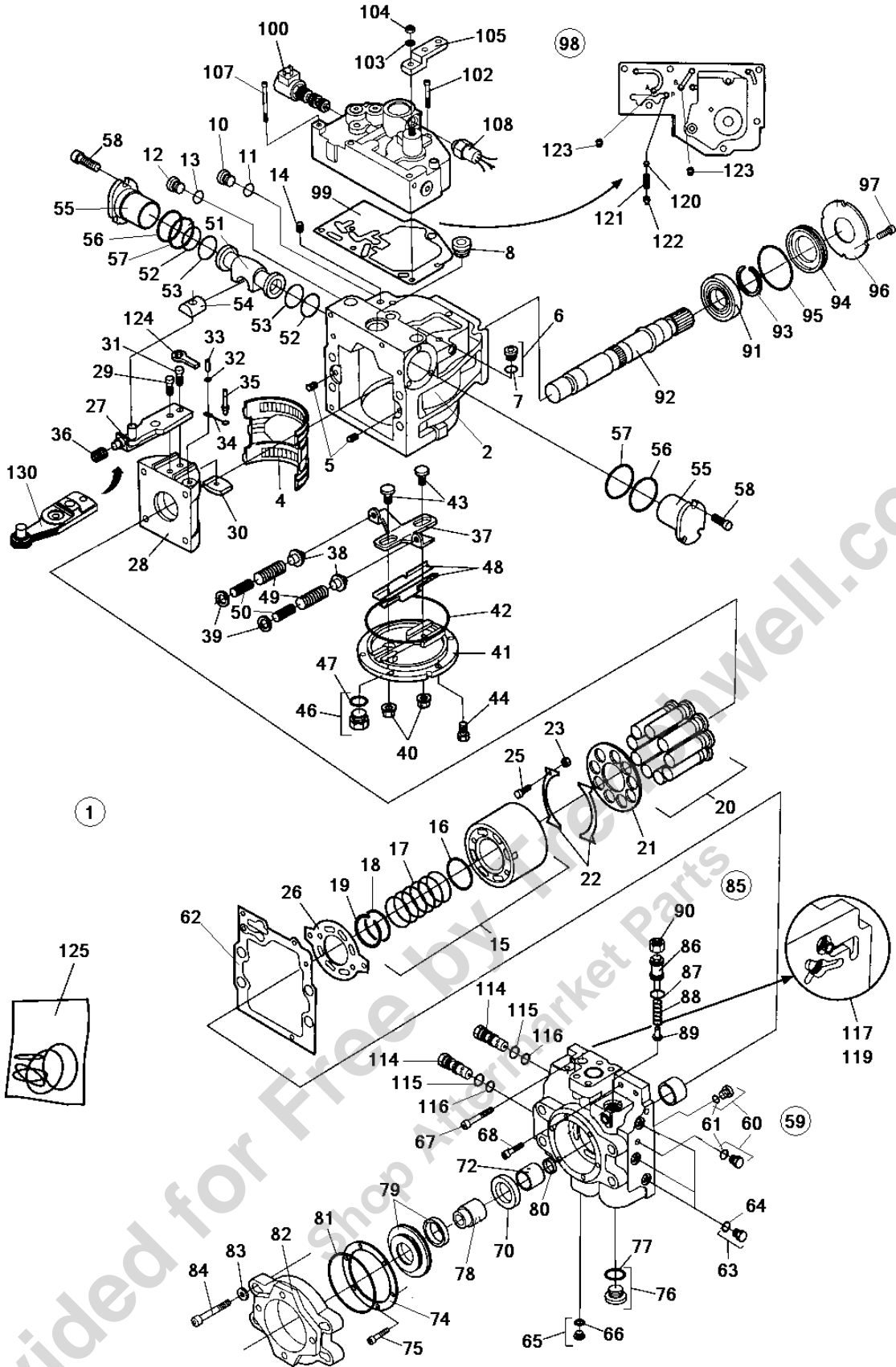


Propulsion system, Rear

Item	Part No	Rem Qty	Description	Code
1	4700380829	1	Propulsion pump (Page 78)	C
2	4700500046	4	Screw	
3	4700904213	8	Washer	
4	4700900229	2	Measuring nipple	D
5	4700379482	1	Filter bracket	
6	4700904229	2	Washer	8,4x16x1,5
7	4700500021	2	Screw	M8-1,25x25 8.8
8	4700359550	1	Hydraulic oil filter, cpl	
	4700359551	1	.Filter head	
	4700359552	1	.Cleaning filter element	Maximum 50 hours use
	4700372229	1	.Hydraulic oil filter element	A
9	4700904230	7	Washer	
10	4700500028	4	Screw	
11	4700345243	1	Connection block	
12	4700500109	2	Screw	M10-1,5x65 8,8
13	4700334138	2	Adapter	
14	4700234875	1	Tee-connector o-ring	
15	4700813499	1	Elbow 90, O-ring	
16	4700904005	4	O-ring	
17	4700923384	4	Flange half	
18	4700904638	8	Washer	12x22x2
19	4700502132	8	Screw	UNC 7/16" x 22
20	4700334140	1	Adapter	
21	4700234958	2	Connector	
22	4700234909	1	Straight connector	
23	4700904282	1	Adapter	
24	4700162008	1	Seal washer	
25	4700374059	1	Check valve	
26	4700923371	1	Adapter	
27	4700334468	2	Adapter	
28	4700234243	1	T-connector	
29	4700384598	1	Hydraulic motor (Page 84)	
30	4700500056	4	Screw	
31	4700384784	2	Flange coupling	
32	4700900806	8	Screw	
33	4700791212	2	Elbow 45	
35			Not used on this model	
37	4700313102		Cable ties	
39	4700483526	1	Hydraulic hose	
40	4700483526	1	Hydraulic hose	
41	4700482010	1	Hydraulic hose	D
42	4700482182	1	Hydraulic hose	D
43	4700482391	1	Hydraulic hose	
44	4700482182	1	Hydraulic hose	D
45	4700483610	1	Hydraulic hose	
46	4700483673	1	Hydraulic hose	
66	4700904352	1	Clamp	
67	4700500027	1	Screw	M10-1,55x22 8.8

4700380829 Propulsion pump

18881



4700380829 Propulsion pump

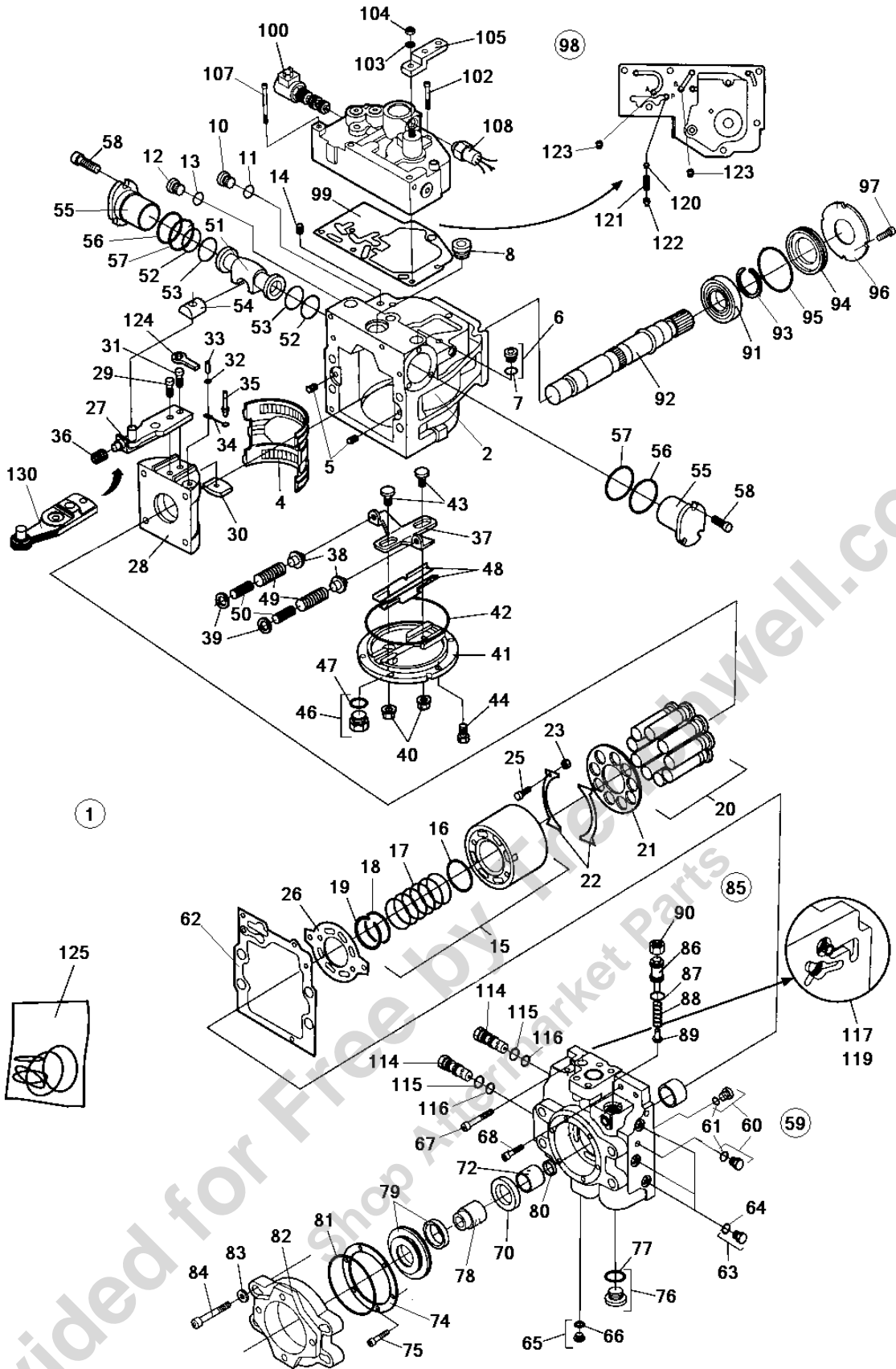
Item	Part No	Rem	Qty	Description	Code
1			1	Propulsion pump , Cpl	
2	4700909373		1	.Housing	
		2	1	Housing	
4	4700901718		1	.Bearing	D
		2	1	Bearing	D
5	4700813822		2	.Pin	
6	4700909375		2	.Plug, cpl	
7	4700909349	1	2	..O-ring	
8	4700902928		1	.Plug	
10	4700908432		1	.Plug	
11	4700923087	1	1	..O-ring	D
12	4700908432		1	.Plug	
13	4700923087	1	1	..O-ring	D
14	4700901454		1	.Filter element	D
15	4700212353		1	.Rotating group, cpl	D
16	4700909376		1	..Spacer	
17	4700909377		1	..Spring	
18	4700909378		1	..Spring retainer	
19	4700909379		1	..Retaining ring	
20	4700909239		9	.Piston, cpl	
21	4700901721		1	.Pressure plate	D
22	4700901722		2	.Retainer guide	D
23			4	.Spacer	D
25	4700937830		4	.Screw	
26	4700937136		1	.Valve plate	
27	4700909384		1	.Servo arm, cpl	
28	4700909385		1	.Swash plate	
		2	1	Swash plate	
29	4700909386		1	.Screw	
		2	1	Screw	
30	4700909387		1	.Guide	
31	4700909388		1	.Screw	
32	4700909389		1	.Washer	
33	4700909390		1	.Pin	
34			1	.Link	
35			1	.Pin	
36			1	.Spring	
37	4700909395		1	.Lever	
38	4700909396		2	.Spring retainer	
39	4700908378		2	.Washer	
40	4700909398	1	2	.Seal lock nut	
41	4700937138		1	.Cover	
		2	1	Cover	
42	4700909399	1	1	.O-ring	
43	4700936552		2	.Guide post	
44	4700936553		6	.Screw	
46	4700902928		1	.Plug	
47	4700901453	1	1	..O-ring	
48	4700937139		1	.Guide assy.	
49	4700909402		2	.Spring	
50	4700909403		2	.Spring	
51	4700937140		1	.Piston, cpl	
52	4700909405	1	2	.O-ring	
53	4700909406	1	2	.Piston ring	
54			1	.Guide	
55			2	.Servo sleeve	

1) Includes in seal kit, item 125

2) Valid with item 130

4700380829 Propulsion pump

18881



4700380829 Propulsion pump

Item	Part No	Rem	Qty	Description	Code
56	4700909409		2	.O-ring	
57	4700909410		2	.O-ring	
58			6	.Screw	
59	4700937141		1	.End cap, cpl	
60	4700909375		2	.Plug, cpl	
61	4700909349	1	2	..O-ring	
62	4700937142	1	1	.Gasket	
63	4700358388		3	.Plug	
64	4700923087	1	3	..O-ring	D
65	4700908432		1	.Plug	
66	4700923087	1	1	..O-ring	D
67	4700937143		1	.Screw	
68			1	.Screw	
70	4700937145		1	.Spacer	
72			1	.Shaft	
74	4700935857		1	.Retaining plate	
75	4700909411		6	.Screw	
76	4700936567		1	.Plug, cpl	
77	4700936568	1	1	..O-ring	
78	4700937149		1	.Coupling sleeve	
79	4700908217		1	.Cover assembly	
80	4700903052	1	1	.Bushing	
81	4700909399	1	1	.O-ring	
82			1	.Adapter	
83			4	.Washer	
84	4700937153		4	.Screw	
85	4700950565		1	.Pressure relief valve, cpl	
86		A	1	..Screw	
87	4700926658	1	1	..O-ring	D
88			1	..Spring	D
89			1	..Valve cone	D
90			1	..Nut	D
91	4700901725		1	.Bearing	D
92	4700937159		1	.Shaft	
93	4700901727		1	.Snap ring	D
94	4700212346		1	.Shaft seal	D
			2	Shaft seal	D
95	4700909257	1	1	.O-ring	
96	4700901728		1	.Carrier seal	D
97	4700908773		3	.Screw	
98	4700938251		1	.Control valve, cpl	
99	4700938755	1	1	..Gasket	
100	4700938252		1	..Solenoid valve	
102			1	...Screw	
103	4700909428		1	..Washer	
104	4700909429		1	..O-ring	
105	4700909432		1	..Control lever	
107	4700937857		5	.Screw	
108	4700938253		1	..Neutral start switch	
114	4700945951		2	.Valve	D
115	4700907163	1	2	.O-ring	
116	4700936579	1	2	.O-ring	
117	4700901475		2	.Valve	D
119	4700813828		2	.Plug	D
120	4700901482		1	.Orifice	D
121	4700909436		1	.Spring	

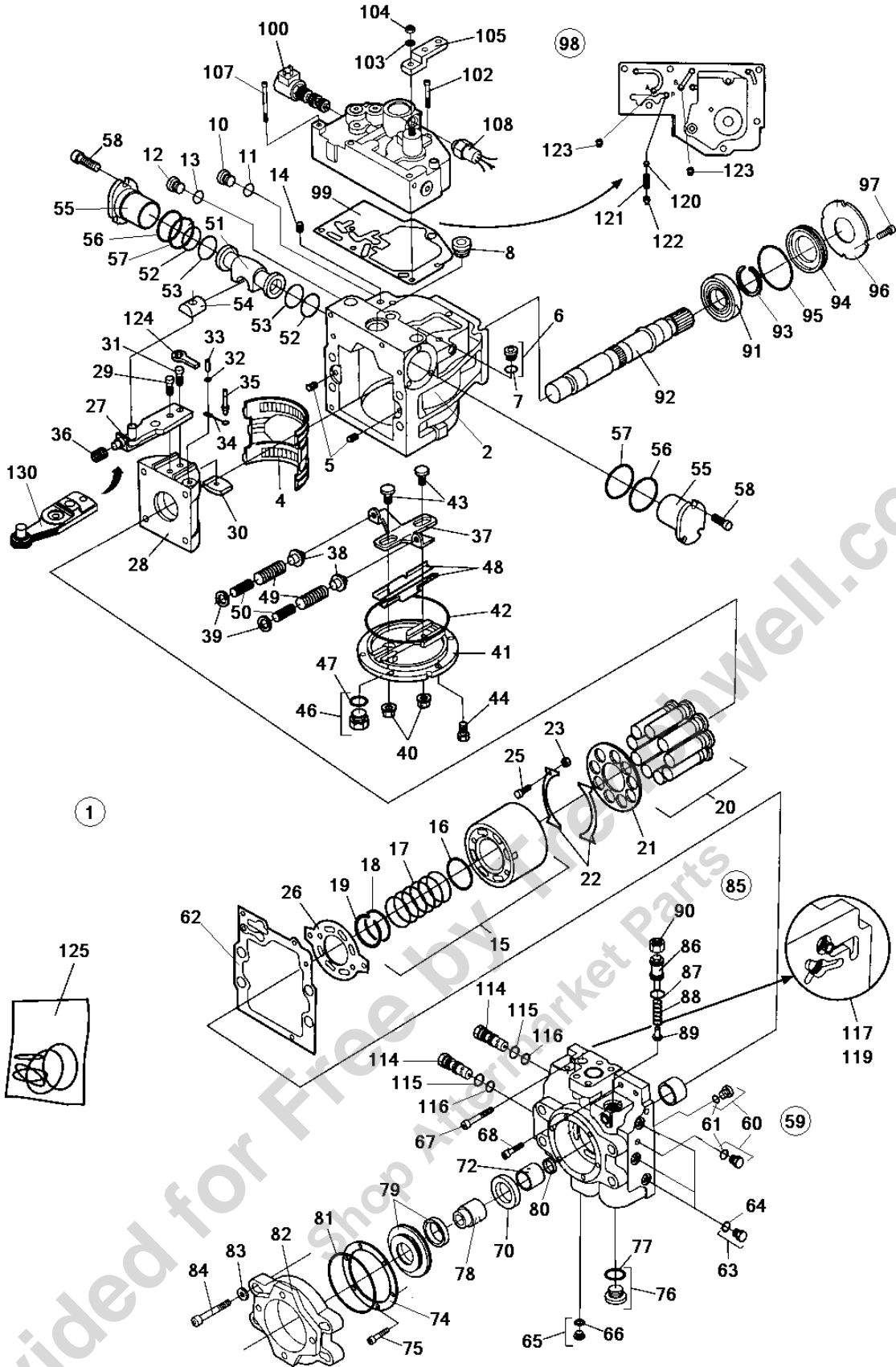
1) Includes in seal kit, item 125

2) Valid with item 130

A) Not sold separately. Replaced by PN 4700936583.

4700380829 Propulsion pump

18881



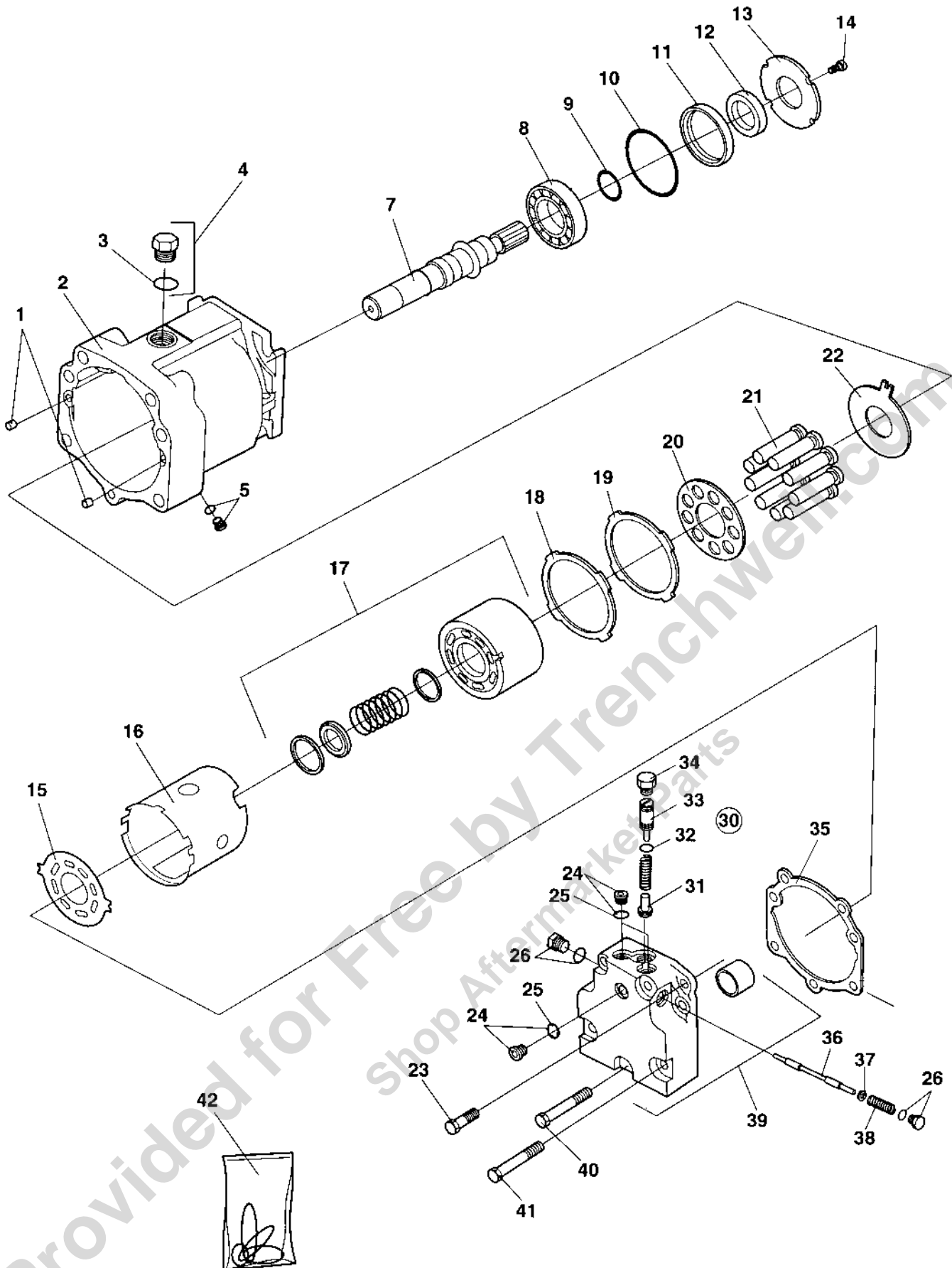
4700380829 Propulsion pump

Item	Part No	Rem Qty	Description	Code
122	4700908448	1	.Spring retainer	
123	4700908439	2	.Orifice	D
124		1	.Link	D
125	4700945906	1	Seal kit	D
130		1	Servo arm	D

Provided for Free by Trenchwell.com
Shop Aftermarket Parts

4700384598 Hydraulic motor

17501



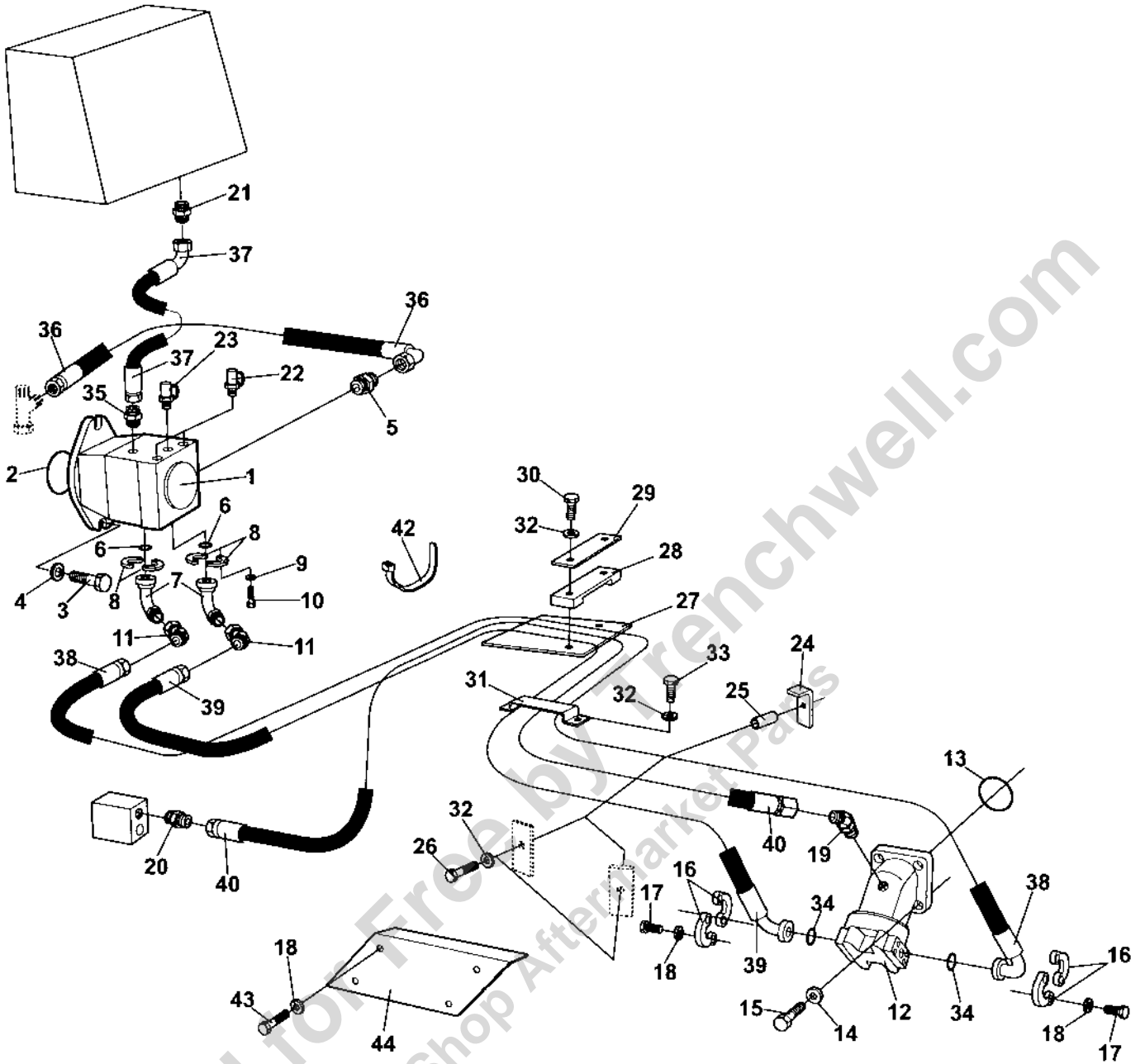
4700384598 Hydraulic motor

Item	Part No	Rem	Qty	Description	Code
1	4700813822		2	Pin	
2	4700935618		1	Housing	
3	4700901453	A	2	O-ring	
4	4700902928		2	Plug	
5	4700908432		1	Plug	
7	4700939242		1	Shaft	
8	4700901465		1	Bearing	
9	4700901467		1	Ring	
10	4700935633	A	1	O-ring	D
11	4700903575		1	Seal carrier	
12	4700935632	A	1	Seal	D
13	4700935634		1	Retaining plate	
14	4700908773		3	Screw	
15	4700935626		1	Valve plate	
16	4700935625		1	Holder	
17	4700901455		1	Cylinder block, cpl	
18	4700935624		1	Shim	
19	4700935623		1	Retainer guide	
20	4700903571		1	Pressure plate	D
21	4700903570		9	Piston	D
22	4700935627		1	Thrust plate	
23	4700909253		2	Screw	
24	4700358388		3	Plug	
25		A	3	O-ring	
26	4700935741		2	Plug, cpl	
30	4700939238		1	Valve, cpl	
31	4700939240		1	.Spring collar	
32		A	2	.O-ring	
33	4700939239		1	.Adapter	
34	4700939241		1	.Plug	
35	4700935629	A	1	Gasket	D
36	4700935533		1	Spool	
37	4700939236		2	Spring washer	
38	4700939237		2	Spring	
39	4700937280		1	End cap, cpl	
40	4700935630		1	Screw	
41	4700909252		4	Screw	
42	4700935617		1	Seal kit	D

A) Included in item 42

Vibration system

18712



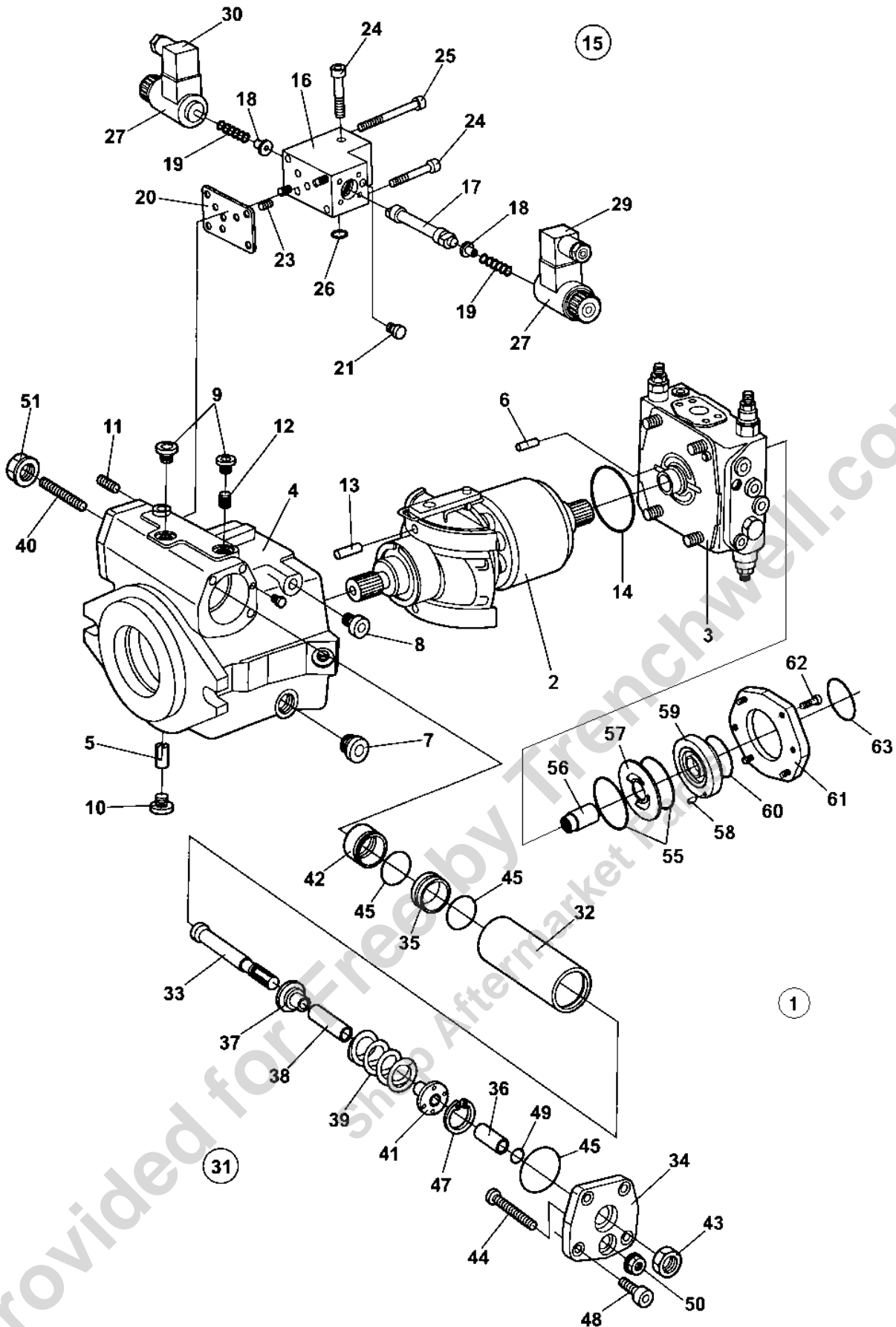
Provided for Free by Frenchwell.com
Shop Aftermarket Parts

Vibration system

Item	Part No	Rem Qty	Description	Code
1	4700384751	1	Vibration pump (Page 88)	C
2	4700160279	1	O-ring	D
3	4700502059	2	Screw	
4	4700904703	2	Washer	
5	4700234382	1	Adapter	
6	4700904773	2	O-ring	
7	4700904767	2	Flange adapter	
8	4700929226	4	Flange half	
9	4700904637	8	Washer	
10	4700500030	8	Screw	
11	4700904781	2	Adapter	
12	4700380144	1	Hydraulic motor, vibration (Page 90)	C
13	4700160157	1	O-ring	D
14	4700904231	4	Washer	
15	4700500194	4	Screw	
16	4700900430	4	Flange half	
17	4700502019	8	Screw	
18	4700904229	12	Washer	
19	4700813500	1	Elbow 45, O-ring	
20	4700334122	1	Adapter	
21	4700334205	1	Straight connector	
22	4700901157	2	Measuring nipple	D
23	4700373774	1	Measuring nipple	D
24	4700373270	2	Hose clamp	
25	4700373507	2	Spacer	
26	4700500091	2	Screw	
27	4700349211	1	Hose protection	
28	4700343732	1	Hose clamp	
29	4700335914	1	Cover plate	
30	4700500033	2	Screw	
31	4700373396	1	Hose clamp	
32	4700904230	6	Washer	
33	4700500028	2	Screw	
34	4700904774	2	O-ring	
35	4700903925	1	Connector	
36	4700483131	1	Hydraulic hose	
37	4700482727	1	Hydraulic hose	
38	4700484131	1	Hydraulic hose	
39	4700483350	1	Hydraulic hose	
40	4700482766	1	Hydraulic hose	D
42	4700313102		Cable ties	
43	4700500019	4	Screw	
44	4700373134	1	Cover	

4700384751 Vibration pump

18915



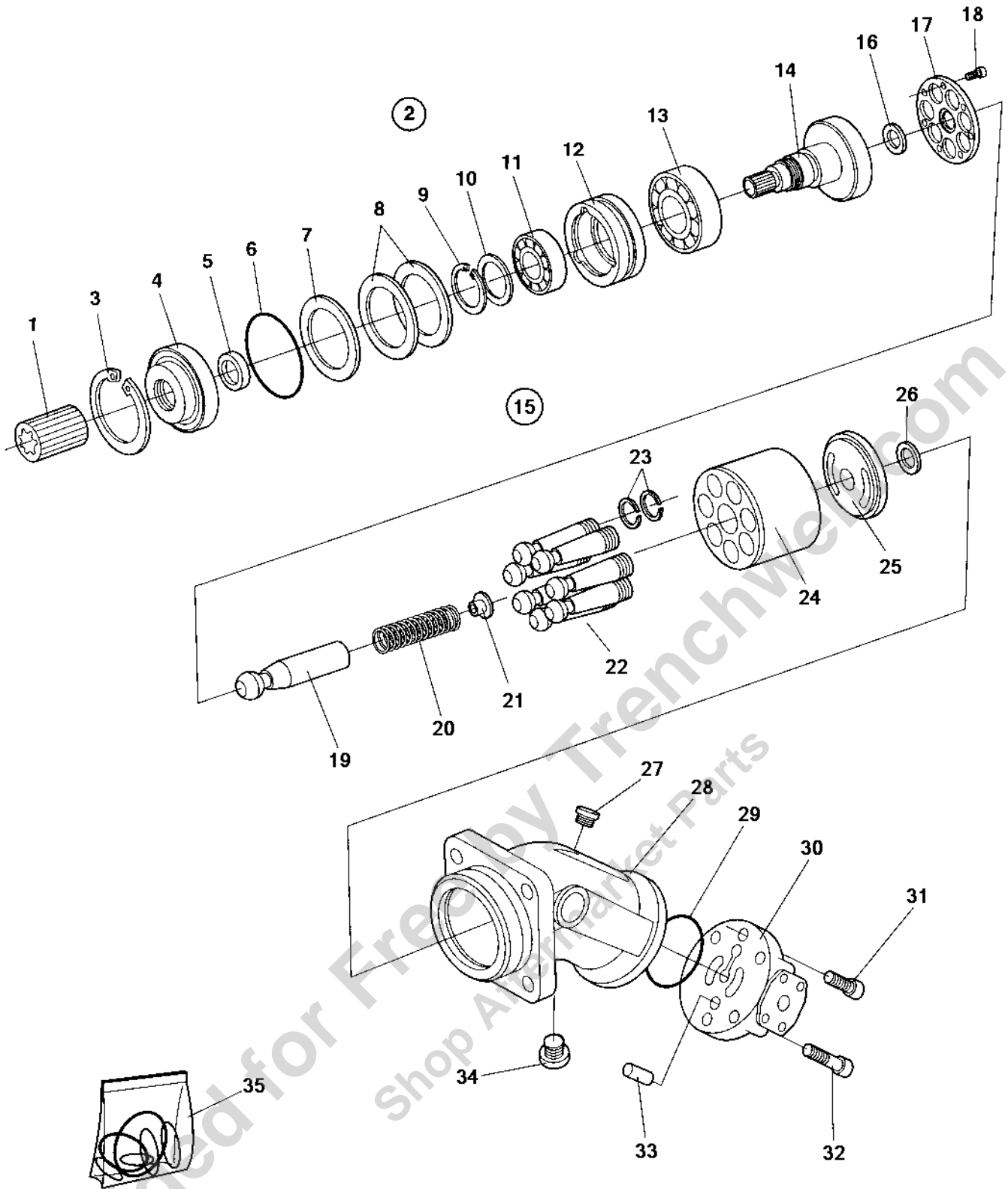
4700384751 Vibration pump

Item	Part No	Rem	Qty	Description	Code
1			1	Hydraulic motor, vibration	
	4700940674		1	.Seal kit	
2			1	.Rotary group, cpl	
3	4700937211		1	.Valve block, cpl	
4			1	.Housing	
5	4700935158		1	.Pin	
6	4700937215		1	.Pin	
7	4700935219	1	1	.Plug	
8	4700902724	1	1	.Plug	
9	4700936803	1	3	.Plug	
10	4700902624	1	1	.Screw	
11	4700909514		1	.Pin	
12	4700936308		2	.Orifice	
13	4700902792		2	.Pin	
14	4700935159	1	1	.O-ring	
15	4700940506		1	.Control valve, cpl	
16			1	..Housing	
17			1	..Piston	
18	4700945776		2	..Spring collar	
19	4700936686		2	..Spring	
20		1	1	..Gasket	
21			2	..Pin	
23	4700936307		1	..Double break-off pin	D
24	4700927358		3	..Screw	
25	4700908383		2	..Screw	
26		1	1	..O-ring	
27	4700940505		2	..Solenoid	
29			1	..Socket	
30			1	..Socket	
31			1	.Hydraulic control, cpl	
32			1	..Piston	
33	4700937218		1	..Rod	
34	4700937219		1	..Cover	
35			1	..Guide ring	
36			1	..Ring	
37			1	..Spring collar	
38			1	..Bush	
39	4700937232		1	..Spring	
40	4700937233		1	..Pin	
41			1	..Spring collar	
42			1	..Guide ring	
43	4700937236		1	..Nut	
44	4700937237		1	..Pin	
45	4700902642	1	3	..O-ring	D
47			1	..Retaining ring	D
48	4700902688		4	..Screw	
49	4700936394	1	1	..O-ring	
50	4700936421	1	1	..Seal lock nut	
51	4700936393	1	1	..Seal lock nut	
55	4700935192	1	2	.O-ring	
56			1	.Coupling	
57	4700935187		1	.Wear plate	
58	4700935190		1	.Cylindrical pin	
59		1	1	.Seal ring	
60		1	1	.O-ring	
61			1	.Flange	
62			4	.Screw	
63	4700939168	1	1	.O-ring	

1) Included in seal kit, see item 1.

4700380144 Hydraulic motor, vibration

16978



Provided for Free by Trenchworks.com
Shop Any Market Parts

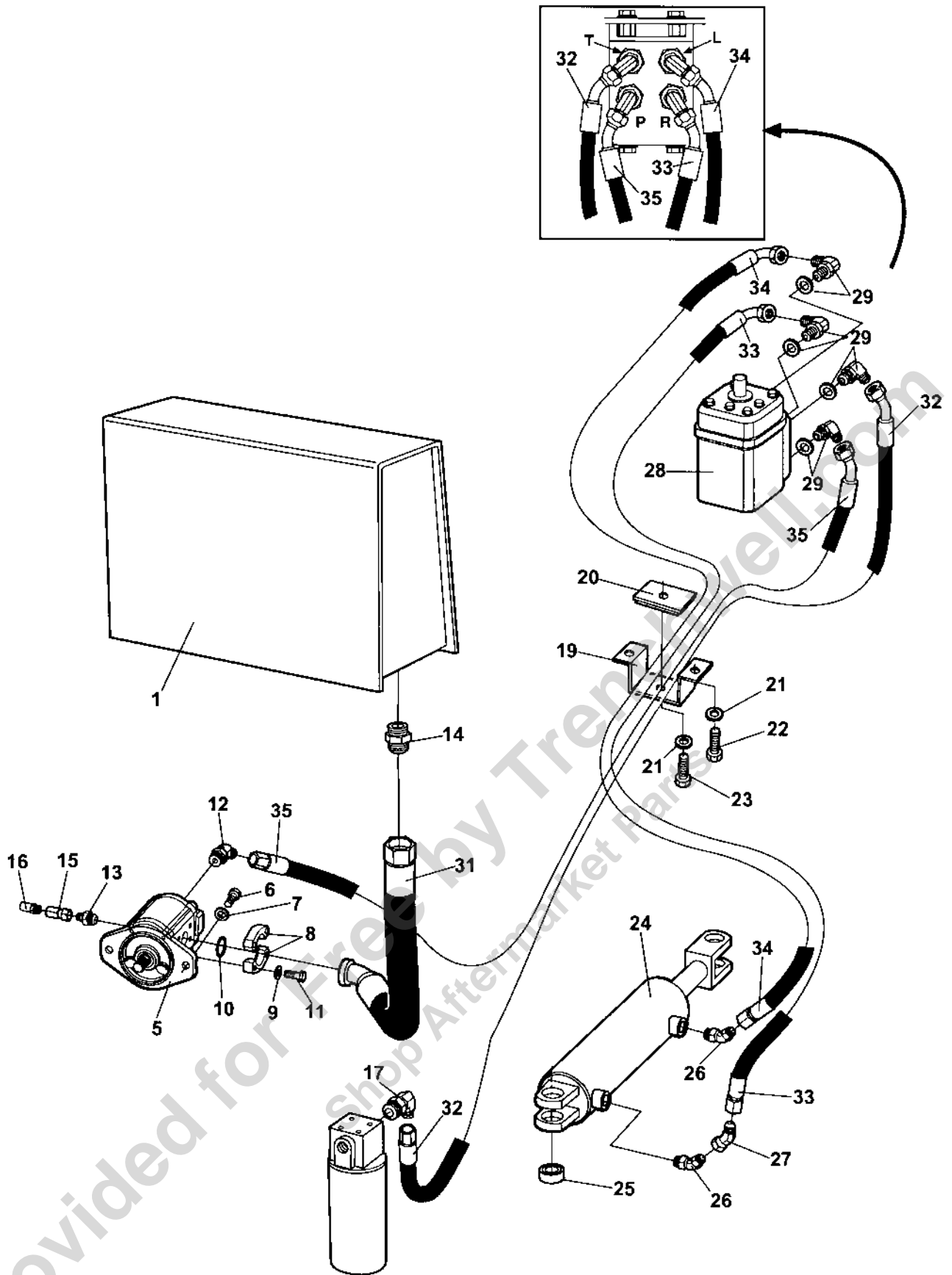
4700380144 Hydraulic motor, vibration

Item	Part No	Rem	Qty	Description	Code
			1	Hydraulic motor, vibration	
1	4700340863		1	..Splined sleeve	D
2	4700380077		1	..Hydraulic motor, vibration	
3	4700901387		1	..Snap ring	
4	4700937261		1	..Cover	
5	4700937264	1	1	..Seal ring	
6	4700937265	1	1	..O-ring	
7	4700901390		1	..Shim	T=0,3 mm
8	4700901389		2	..Shim	T=0,1 mm
9	4700938042		1	..Retaining ring	
10	4700938041		1	..Back-up plate	
11	4700901386		1	..Bearing	
12	4700937260		1	..Bearing ring	
13	4700901385		1	..Bearing	
14	4700938040		1	..Shaft	
15			1	..Rotary group, hydr.section	
16			1	..Washer	
17			1	..Retaining plate	
18			7	..Screw	
19			1	..Pin	
20			1	..Spring	
21			1	..Spring collar	
22			7	..Piston	
			1	...Piston	
23			2	...Sealing ring	
24			1	..Cylinder	
25			1	..Pressure plate	
26			1	..Washer	
27	4700937995		1	..Screw	
28	4700937256		1	..Housing	
29	4700937258	1	1	..O-ring	
30	4700937257		1	..Plate	
31	4700902655		2	..Screw	
32	4700927350		4	..Screw	
33	4700937993		1	..Pin	
34	4700937259	1	1	..Screw	
35	4700937673		1	..Seal kit	

1) Included in seal kit, item 34

Steering system

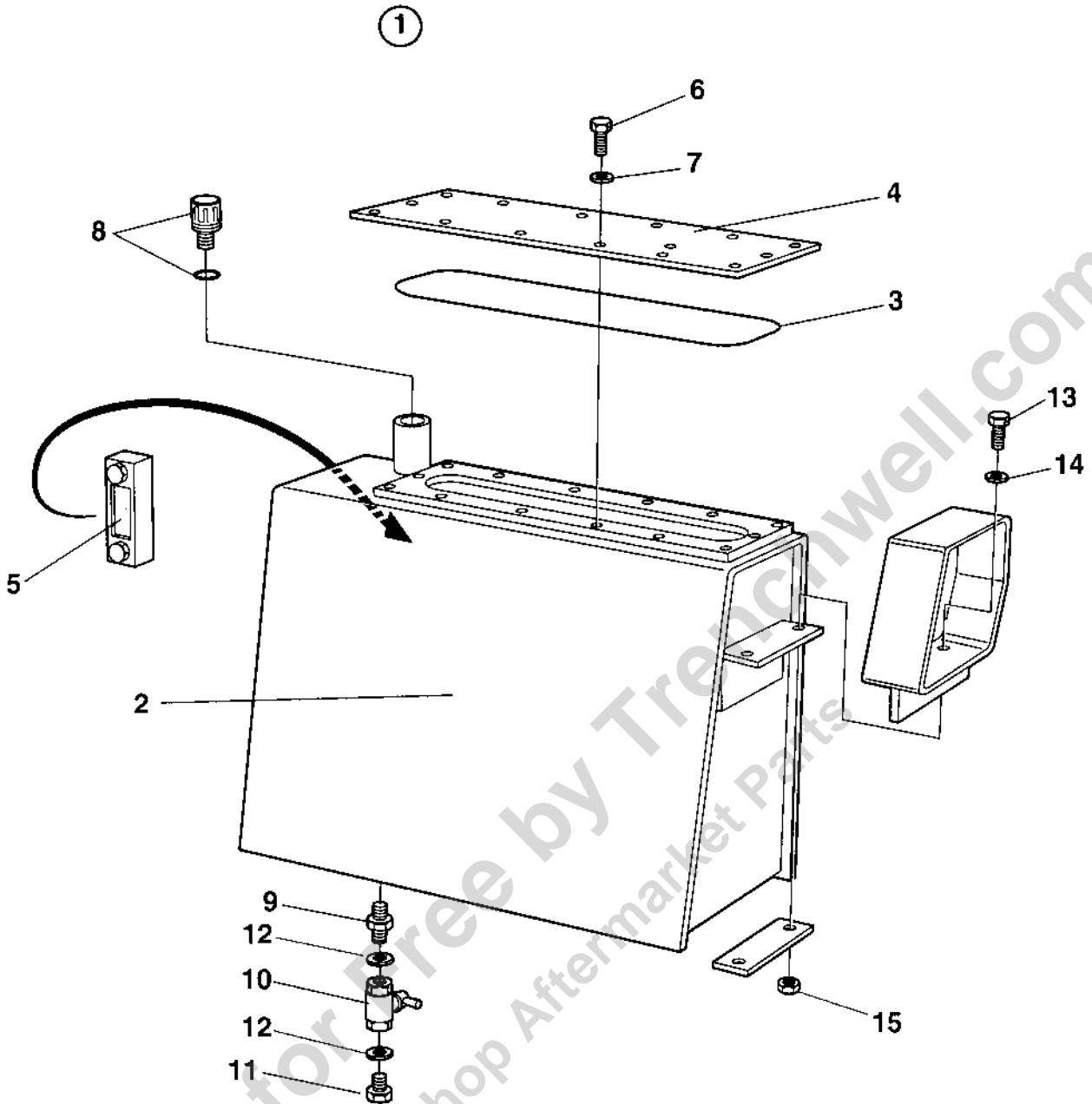
18728



Provided for free by TrendyMarket.com

Steering system

Item	Part No	Rem Qty	Description	Code
1			Hydraulic oil tank (Page 94)	
5	4700394903	1	Steering pump	
6	4700500051	2	Screw	M12x25H 8.8 A3K
7	4700904231	2	Washer	13x24x2 300 HV
8	4700232097	2	Flange half	D
9	4700904637	4	Washer	
10	4700904005	1	O-ring	
11	4700500029	4	Screw	
12	4700801244	1	Adapter	
13	4700334199	1	Straight o-ring connector	
14	4700234626	1	Adapter	
15	4700338304	1	Connector	
16	4700910161	1	Measuring nipple	D
17	4700929123	1	Elbow 90, O-ring	
19	4700372513	1	Hose clamp	
20	4700372514	1	Hose clamp	
21	4700904229	3	Washer	8,4x16x1,5
22	4700500019	2	Screw	M8x16H 8.8 A2K
23	4700904241	1	Screw	
24	4700392002	1	Steering cylinder (Page 96)	C
25	4700379630	2	Radial spherical plain bearing	
26	4700813500	2	Elbow 45, O-ring	
27	4700234662	1	Elbow 45	
28	4700385957	1	Pilot valve (Page 98)	
29	4700813444	4	Elbow 90, O-ring	
31	4700483528	1	Hydraulic hose	
32	4700483498	1	Hydraulic hose	
33	4700482898	1	Hydraulic hose	
34	4700483505	1	Hydraulic hose	
35	4700482889	1	Hydraulic hose	



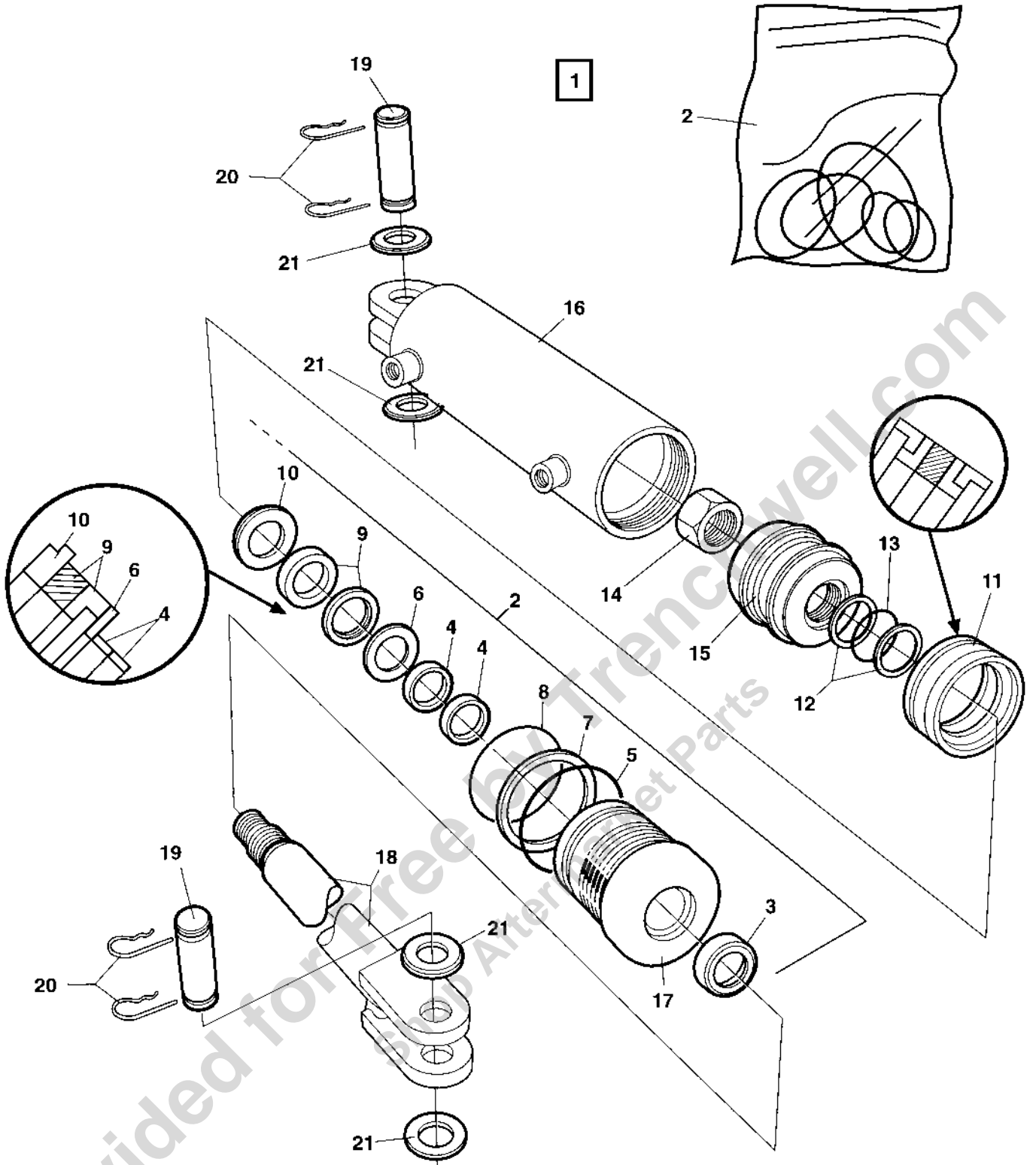
Hydraulic oil tank

Item	Part No	Rem Qty	Description	Code
1	4700372044	1	Hydraulic oil tank, cpl	
2	4700372029	1	.Hydraulic oil tank	
3	4700349880	1	.O-ring	
4	4700349879	1	.Cover	
5	4700989151	1	.Oil level glass	D
6	4700500019	14	.Screw	M8x16H 8.8 A2K
7	4700904229	14	.Washer	8,4x16x1,5
8	4700357138	1	.Ventilating filter	A
9	4700791119	1	.Adapter	G3/4
10	4700233304	1	.Ball valve	
11	4700232039	1	.Plug	G3/4
12	4700791120	2	.Sealing washer	
13	4700500192	4	Screw	M10x80
14	4700904567	4	Washer	10,5x28x6 HB305
16	4700570006	4	Nut	

Provided for Free by Trenchwell.com
Shop Aftermarket Parts

4700392002 Steering cylinder

16490

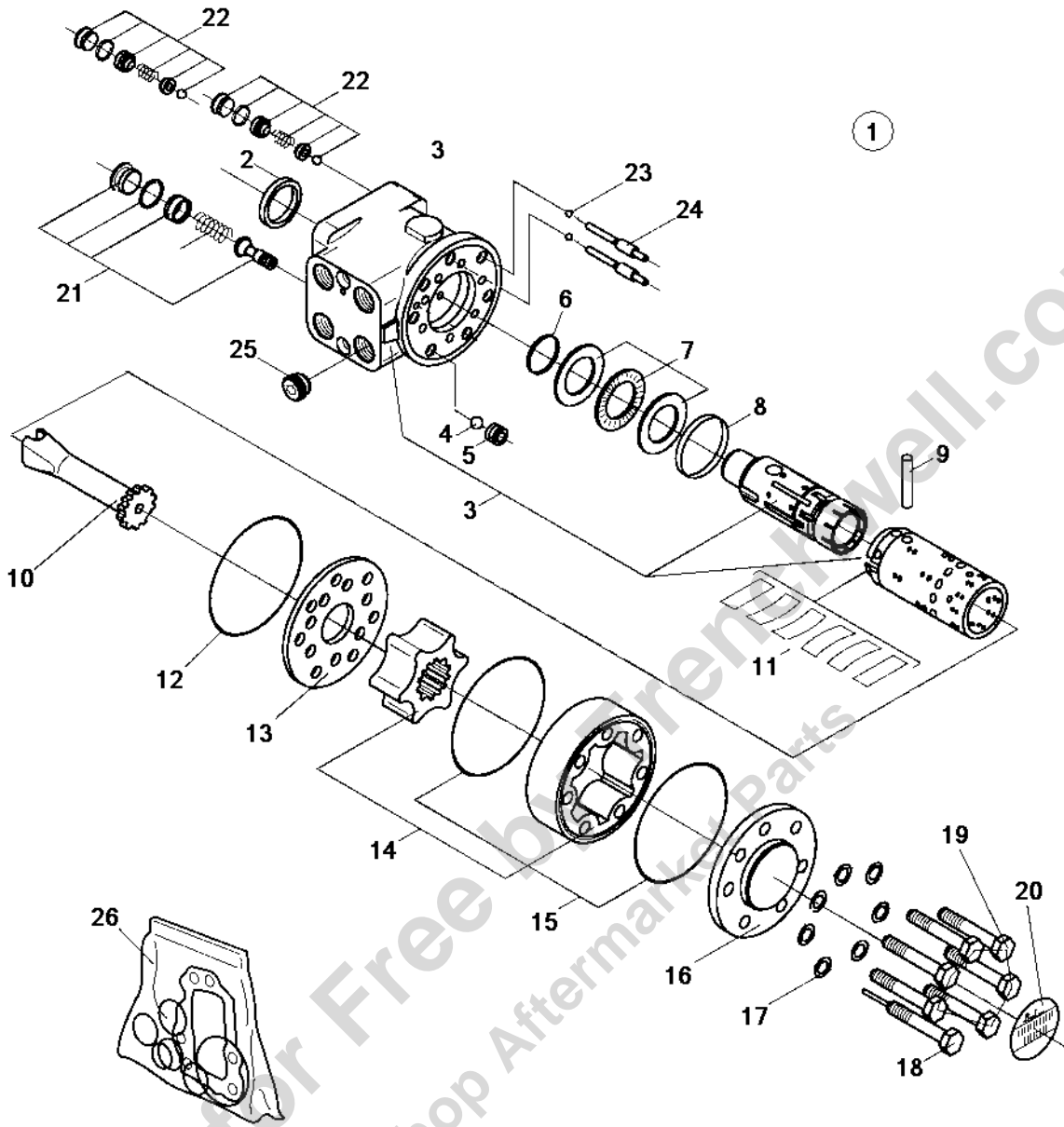


4700392002 Steering cylinder

Item	Part No	Rem Qty	Description	Code
1	4700392002	1	Steering cylinder (Page 96)	C
2	4700392100	1	.Seal kit	
3		1	..Seal	
4		2	..Seal	
5		1	..O-ring	
6		1	..Back-up ring	
7		1	..Back-up ring	
8		1	..O-ring	
9		1	..Seal	
10		1	..Retaining ring	
11		1	..Seal	
12		2	..Back-up ring	
13		1	..O-ring	
14		1	..Lock nut	
15		1	.Piston block	
16		1	.Cylinder	
17		1	.Steering	
18	4700392105	1	.Piston rod	
19	4700392103	2	.Shaft	D
20	4700635061	4	.Hair clip	D
21	4700600016	4	.Washer	

26x45x4

Provided for Free by Trenchwell.com
Shop Aftermarket Parts



4700385957 Pilot valve

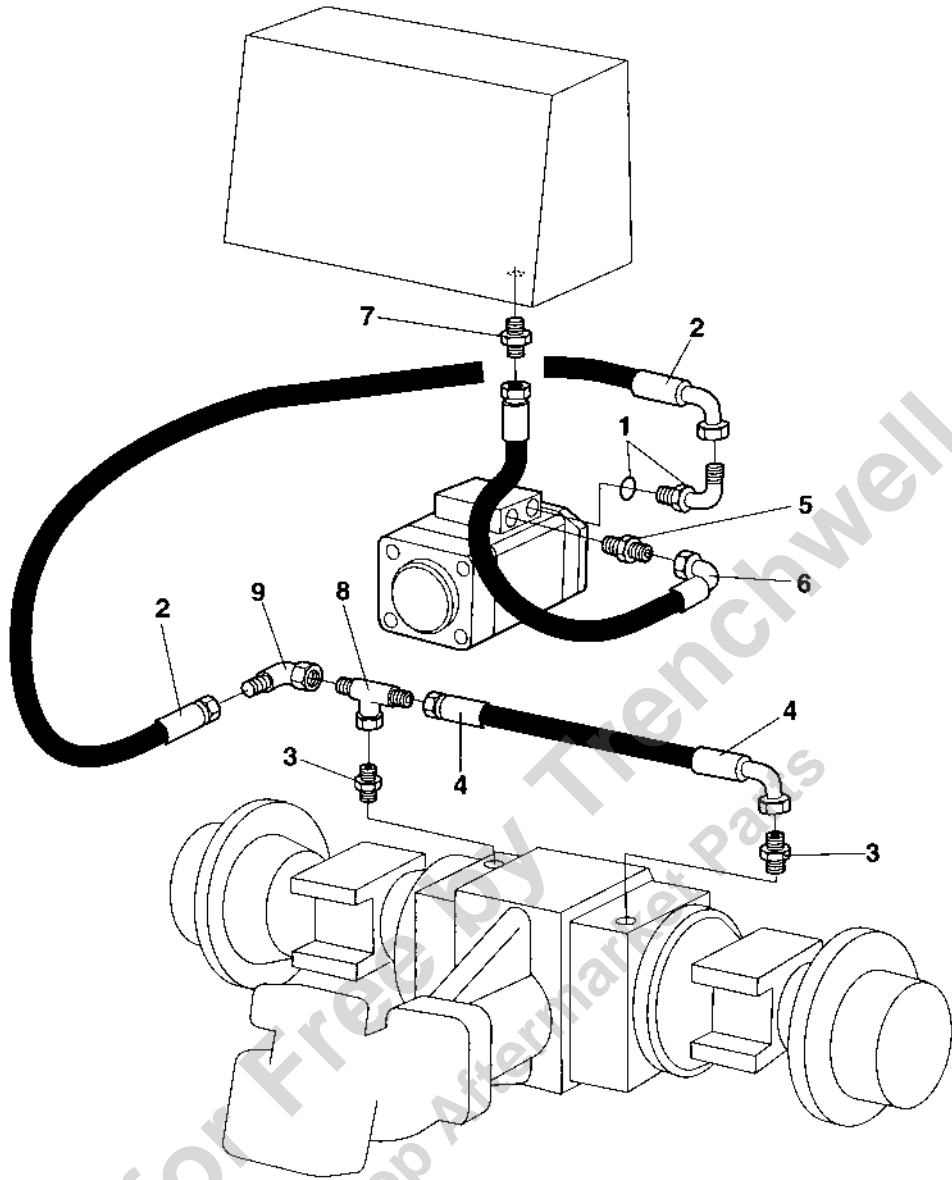
Item	Part No	Rem	Qty	Description	Code
1			1	Pilot valve, cpl	
2		A	1	.Seal ring	
3			1	.Housing, seats and spool	
4			1	.Ball	
5			1	.Threaded bushing	
6		A	1	.O-ring	
7			1	.Bearing assembly	
8			1	.Ring	
9			1	.Cross pin	
10			1	.Cardan shaft	
11			1	.Set off springs	
12		A	1	.O-ring	
13			1	.Distributor plate	
14			1	.Gear wheel set	
15		A	2	.O-ring	
16			1	.End cover	
17		A	7	.Washer	
18			1	.Screw with pin	
19			6	.Screw	
20			1	.Name plate	
21			1	.Pilote relief valve	
22			2	.Shock valve	
23			2	.Ball	
24			2	.Bushing with pin	
25			1	.Check valve	
26	4700935429		1	.Seal kit	

A) Included in seal kit, item 26

Provided for Free by Trenchwell.com
Shop Aftermarket Parts

Brake system

16627



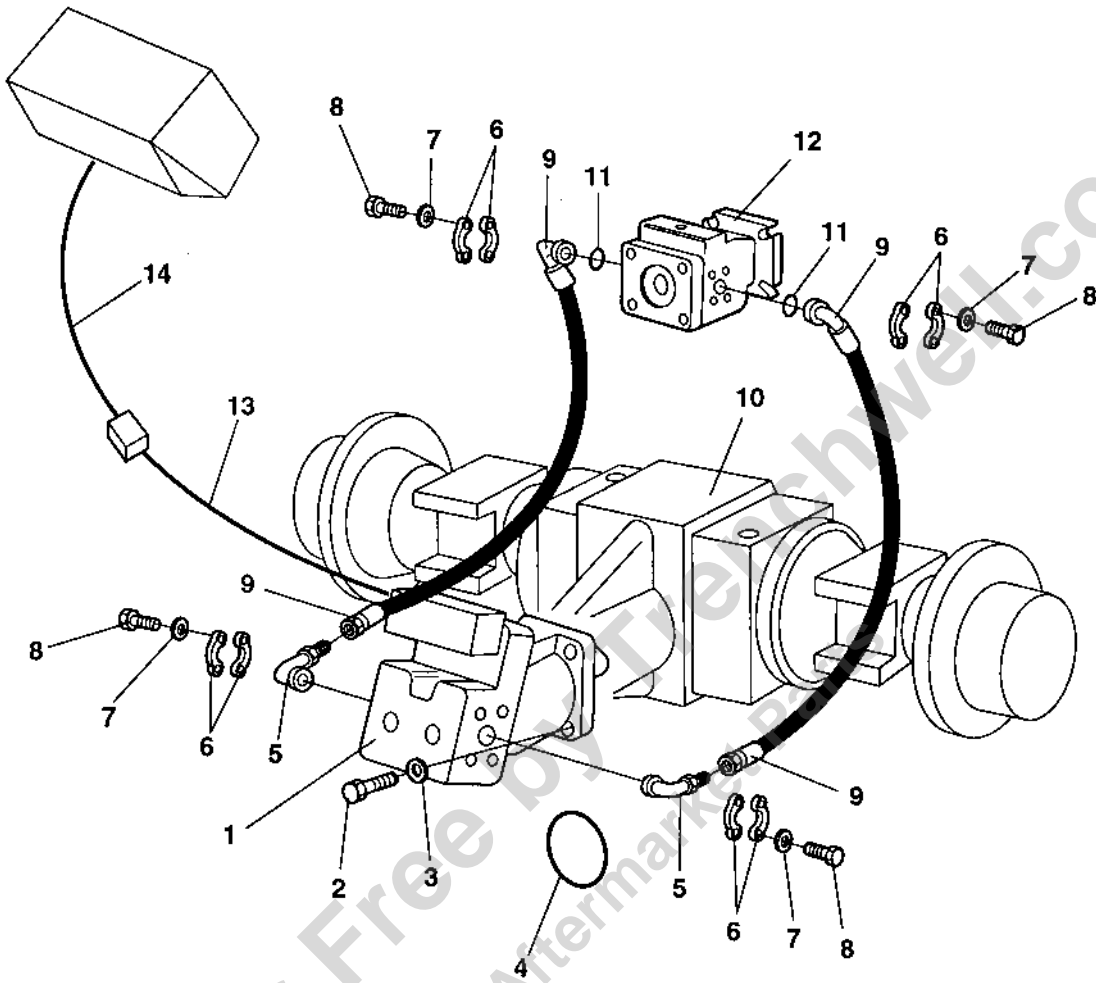
Brake system

Item	Part No	Rem Qty	Description	Code
1	4700334389	1	Connector	
2	4700482543	1	Hydraulic hose	
3	4700900552	2	Adapter	
4	4700482399	1	Hydraulic hose	
5	4700234843	1	Adapter	
6	4700482516	1	Hydraulic hose	
7	4700334205	1	Straight connector	
8	4700234888	1	Tee-connector	
9	4700334524	2	Connector	

Provided for Free by Trenchwell.com
Shop Aftermarket Parts

Variable rear axle motor Option

17463



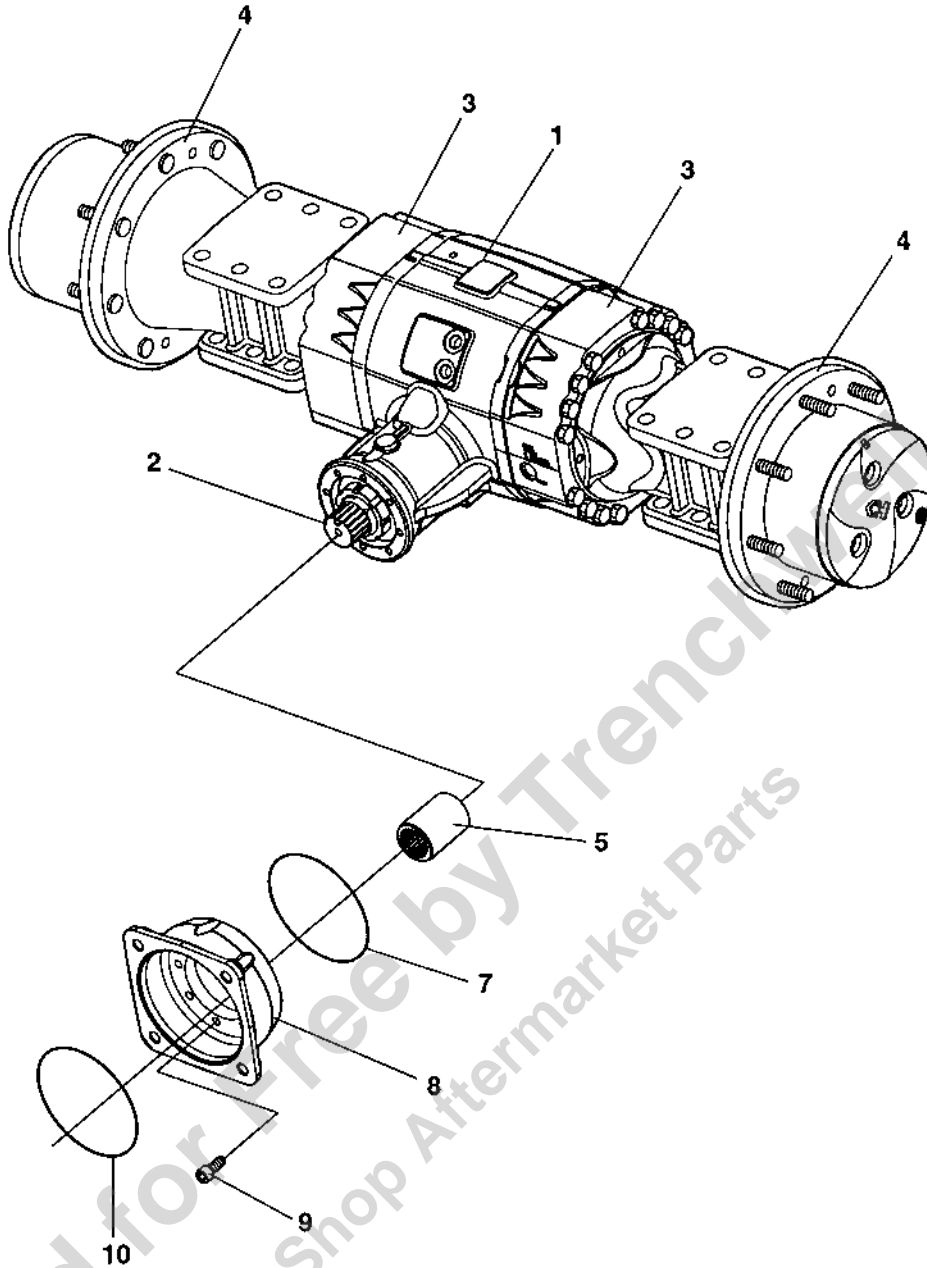
Variable rear axle motor Option

Item	Part No	Rem Qty	Description	Code
1	4700383973	1	Propulsion motor	
2	4700500263	4	Screw	M18x60
3	4700904793	4	Washer	19x34x3
4	4700160157	1	O-ring Model Kontroleras	D
5	4700791213	2	Flange fitting 90	
6	4700923384	8	Flange half	
7	4700904638	16	Washer	12x22x2
8	4700502132	16	Screw	UNC 7/16" x 22
9	4700483551	2	Hydraulic hose	
10	4700383855	1	Rear axle (Page 104)	Limited Slip
11	4700904005	2	O-ring	
12	4700380829	1	Propulsion pump (Page 78)	C
13	4700380577	1	Cable harness	
14	4700380700	1	Cable harness	

Provided for Free by Trenchwell.com
Shop Aftermarket Parts

4700383855 Rear axle Limited Slip

17503



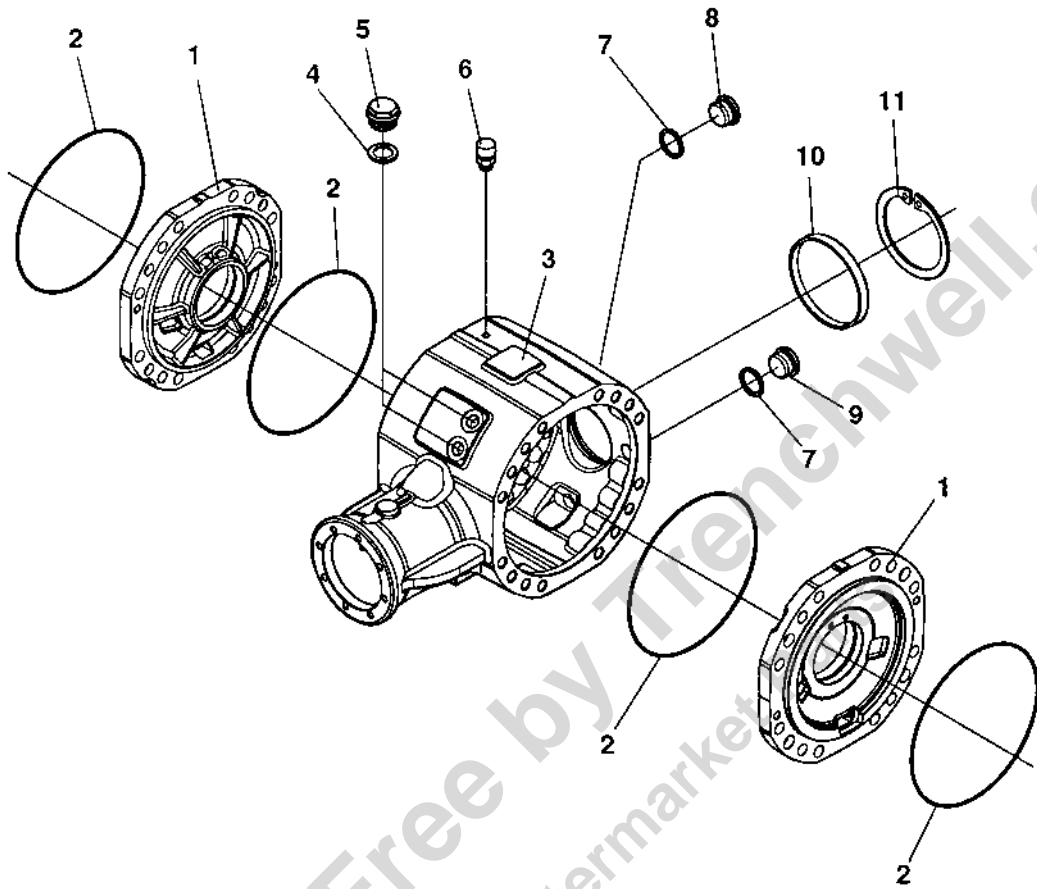
4700383855 Rear axle Limited Slip

Item	Part No	Rem Qty	Description	Code
1		1	Housing (Page 106)	
2		2	Differential with limited slip (Page 108)	
3		1	Brakes (Page 110)	
4		2	Planet gear (Page 112)	
5	4700901834	1	Splined sleeve	
7	4700929648	1	O-ring	D
8	4700909583	1	Flange	
9	4700909582	8	Screw	
10	4700909584	1	O-ring	D

Provided for Free by Trenchwell.com
Shop Aftermarket Parts

Housing

17490



Provided for Free by Trenchwell.com
Shop Aftermarket

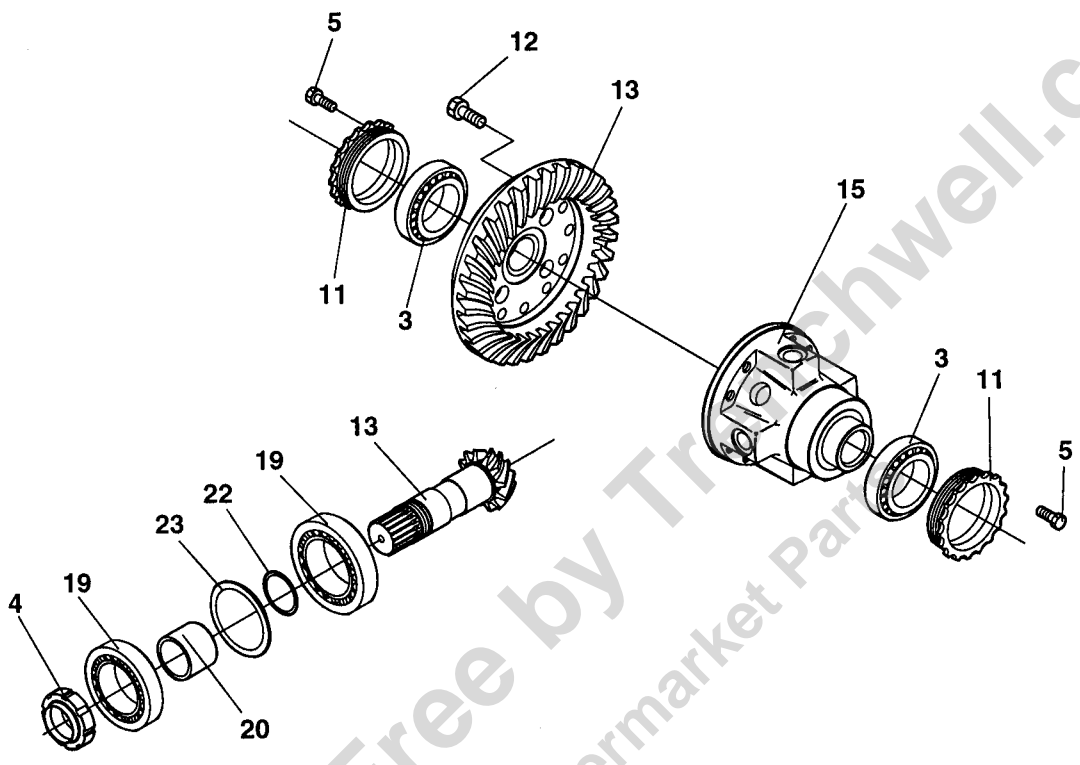
Housing

Item	Part No	Rem Qty	Description	Code
1	4700938980	2	Cover	
2	4700938981	4	O-ring	
3	4700938982	1	Housing	
4	4700938983	2	Sealing washer	
5	4700909544	4	Screw	
6	4700938984	1	Vent nipple	
7	4700909607	2	Seal	D
8	4700938985	1	Magnetic plug	
9	4700909596	1	Plug	
10	4700938986	1	Plug	
11	4700938987	1	Circlip	

Provided for Free by Trenchwell.com
Shop Aftermarket Parts

Differential with limited slip

17491



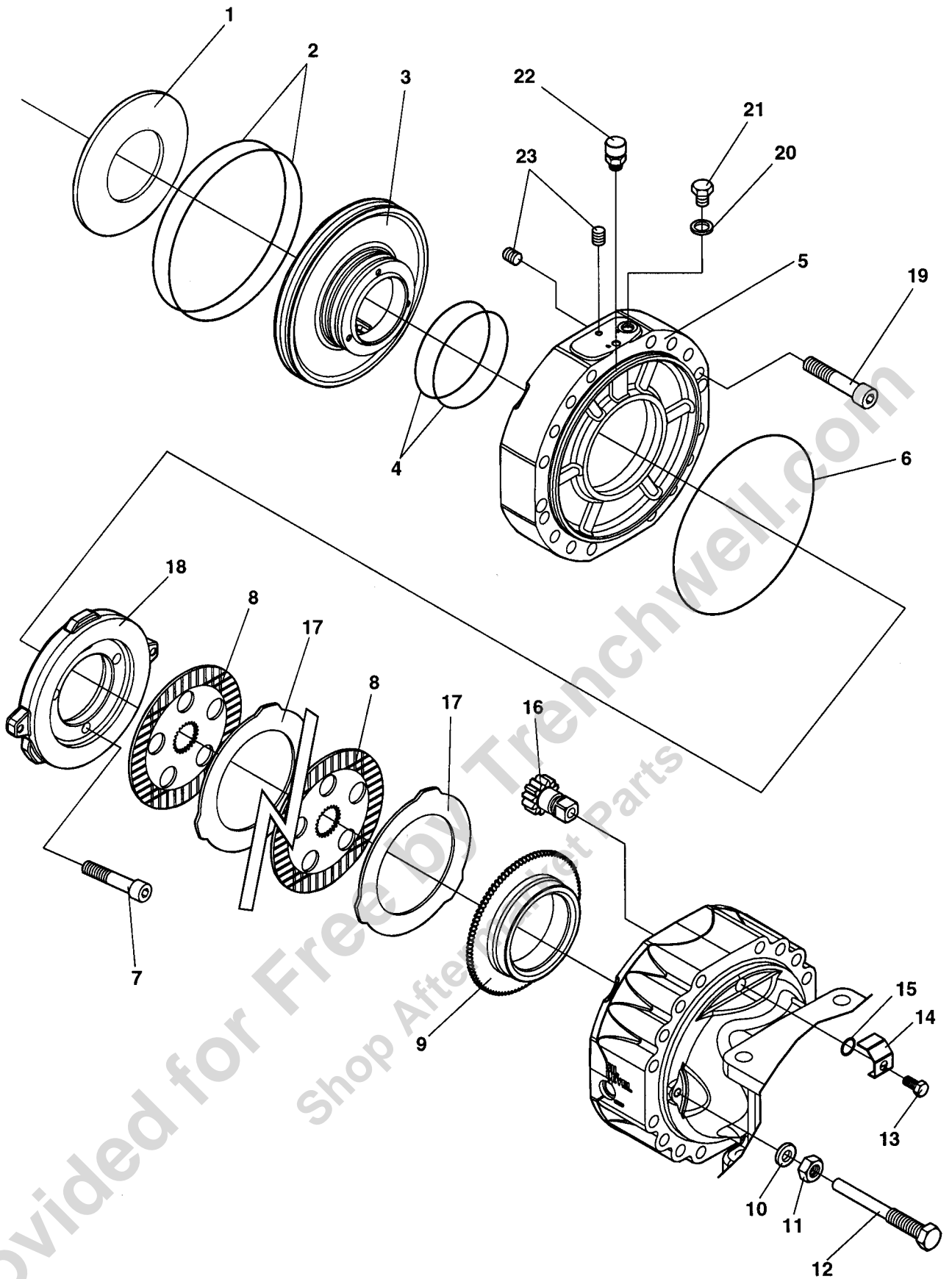
Differential with limited slip

Item	Part No	Rem Qty	Description	Code
3	4700936023	2	Bearing	
4	4700938988	1	Ring nut	
5	4700938989	2	Screw	
11	4700938990	2	Ring nut	
12	4700938991	12	Screw	
13	4700938992	1	Gear set	
15	4700938994	1	Limited slip disc	
19	4700926116	2	Bearing	
20	4700938995	1	Spacer	
22	4700936052	N	Shim	0.10mm
	4700936053	N	Shim	0.15mm
	4700936054	N	Shim	0.20mm
	4700936055	N	Shim	0.40mm
	4700936056	N	Shim	0.50mm
23	4700938996	N	Shim	0,20 mm
	4700938997	N	Shim	0,30 mm
	4700938998	N	Shim	0,15 mm
	4700938999	N	Shim	0,10 mm

Provided for Free by Trenchwell.com
Shop Aftermarket Parts

Brakes

17494



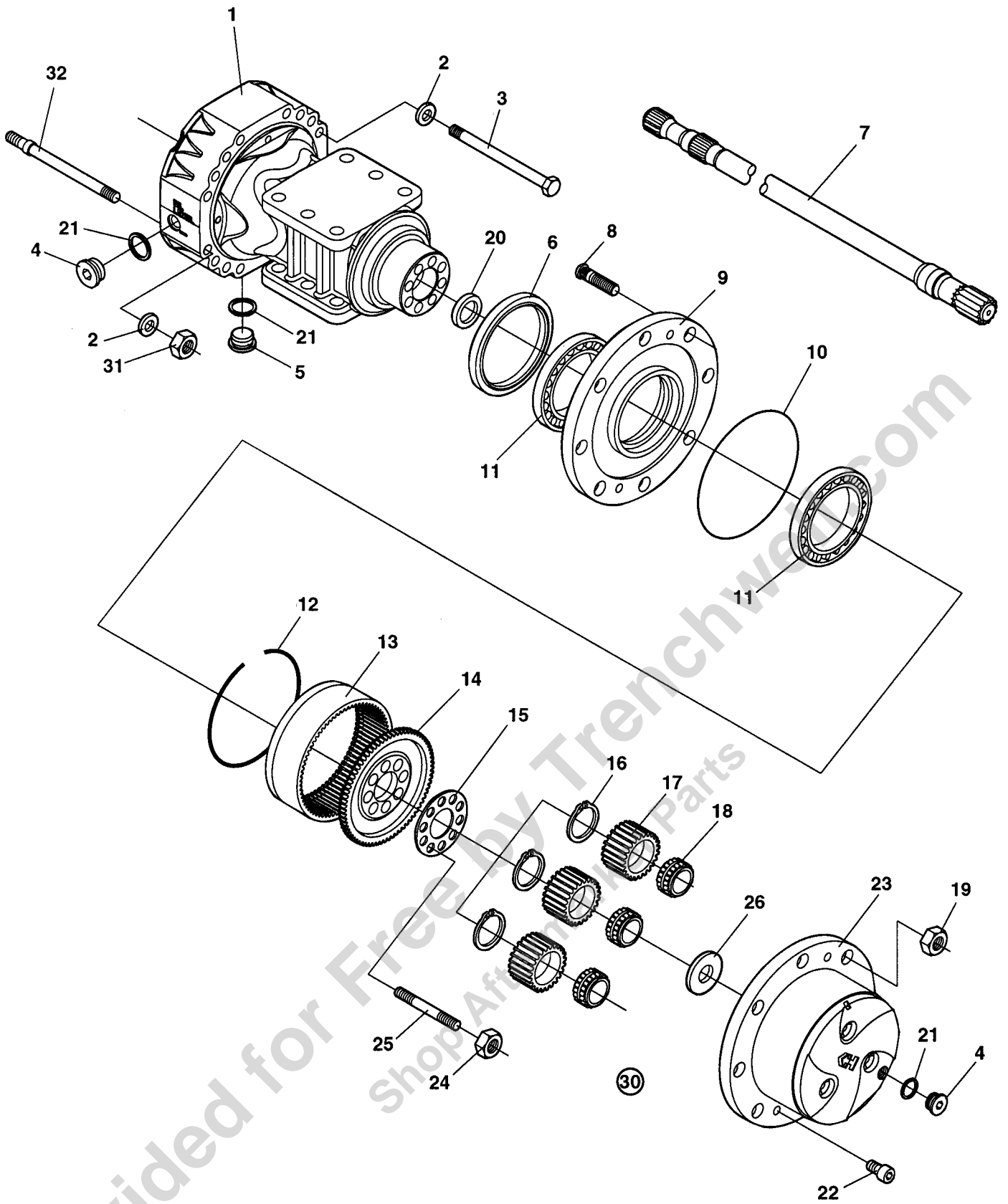
Brakes

Item	Part No	Rem Qty	Description	Code
1	4700909616	2	Spring	
2	4700939021	4	O-ring	
3	4700939022	2	Piston	
4	4700939023	4	O-ring	
5	4700939024	2	Cover	
6	4700939025	2	O-ring	
7	4700939026	6	Screw	
8	4700939027	8	Brake disc	
9	4700939028	2	Ring	
10	4700939029	4	Lock washer	
11	4700900957	4	Nut	
12	4700939030	4	Adjusting bolt	
13	4700909547	2	Screw	
14	4700939031	2	Plate	
15	4700939032	2	O-ring	
16	4700936097	2	Pinion	
17	4700939033	8	Brake disc	
18	4700939034	2	Disc	
19	4700939035	4	Screw	
20	4700939036	2	Sealing washer	
21	4700939037	2	Screw	
22	4700939038	2	Vent nipple	
23	4700939039	4	Stop screw	

Provided for Free by Trenchwell.com
Shop Aftermarket Parts

Planet gear

17493



Planet gear

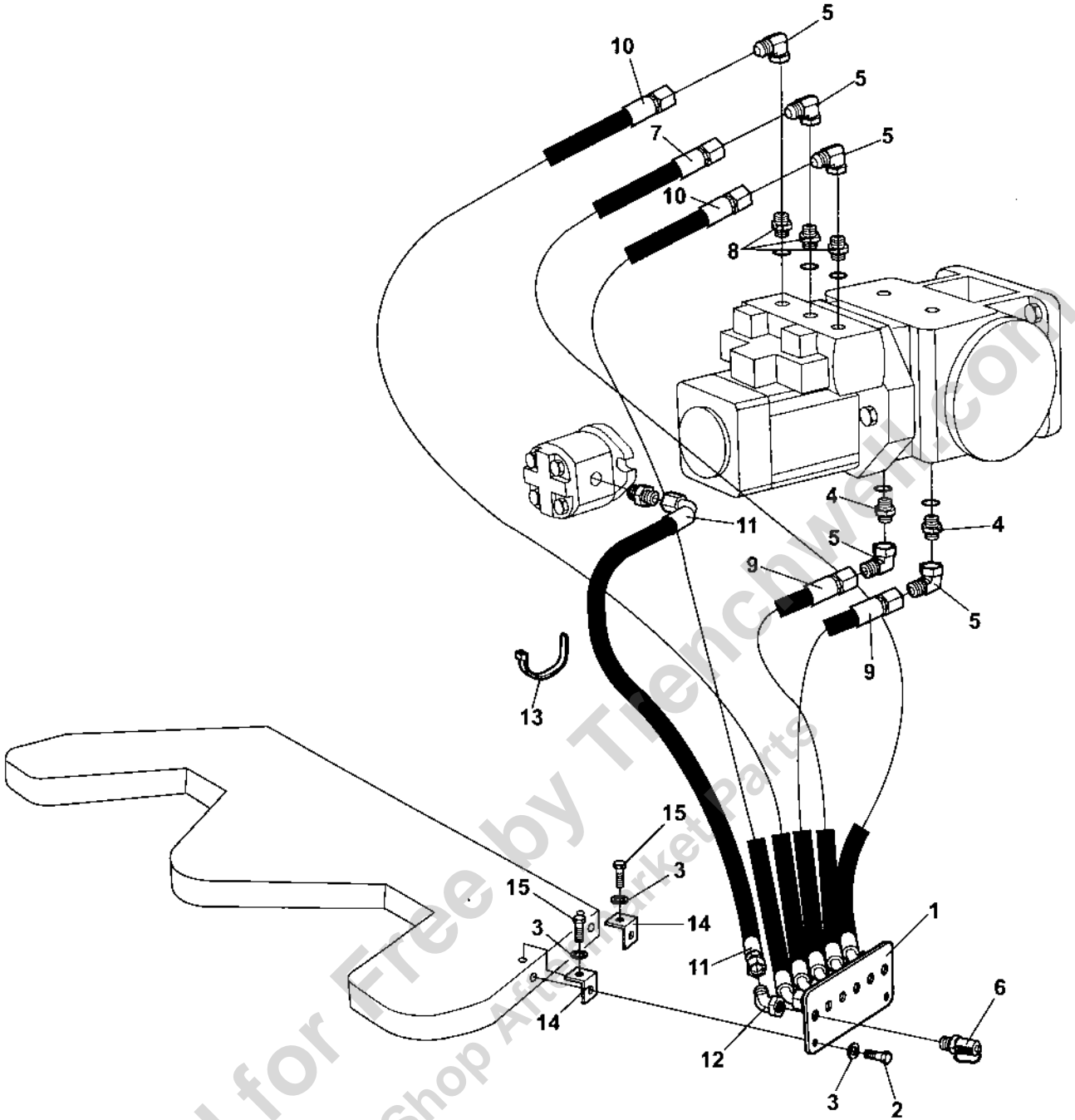
Item	Part No	Rem Qty	Description	Code
1	4700939002	2	Housing	
2	4700939003	32	Spring washer	
3	4700939004	24	Screw	
4	4700909596	4	Plug	
5	4700938985	2	Magnetic plug	
6	4700939006	2	Seal	
7	4700939007	2	Shaft	
8	4700926781	16	Wheel screw	
9	4700939008	2	Wheel hub	
10	4700936020	2	O-ring	D
11	4700939009	4	Bearing	
12	4700939384	1 2	Circlip	
13	4700939385	1 2	Ring gear	
14	4700939386	1 2	Ring gear support	
15	4700939010	2	Lock plate	
16	4700939011	1 6	Circlip	
17	4700939012	1 6	Planet gear	
18	4700939013	1 6	Bearing	
19	4700901987	16	Wheel nut	
20	4700939014	2	Seal	
21	4700330333	6	Copper washer	D
22	4700939015	4	Screw	
23	4700939387	1 2	Planet gear carrier	
24	4700939016	16	Nut	
25	4700939017	16	Stud	
26	4700939270	1 2	Washer	
30	4700939018	2	Planet gear carrier Cpl.	
31	4700939019	8	Nut	
32	4700939020	8	Stud	

1) Included in ref. 30

Provided for Free by Trenchwell.com
Shop Aftermarket Parts

Central test panel hydraulic Option

17470



Central test panel hydraulic Option

Item	Part No	Rem Qty	Description	Code
1	4700374028	1	Test panel	
2	4700500053	2	Screw	M8x20H 8.8
3	4700904229	4	Washer	8,4x16x1,5
4	4700234388	2	Connector	
5	4700334196	5	Elbow 90	
6	4700356348	6	Measuring nipple	D
7	4700482342	1	Hydraulic hose	
8	4700902125	3	Connector	
9	4700483188	2	Hydraulic hose	
10	4700483445	2	Hydraulic hose	
11	4700483547	1	Hydraulic hose	
12	4700234622	1	Elbow 45	
13	4700313102		Cable ties	
14	4700908136	2	Bracket	
15	4700500018	2	Screw	M8-1,25x12 8,8

Provided for Free by Trenchwell.com
Shop Aftermarket Parts

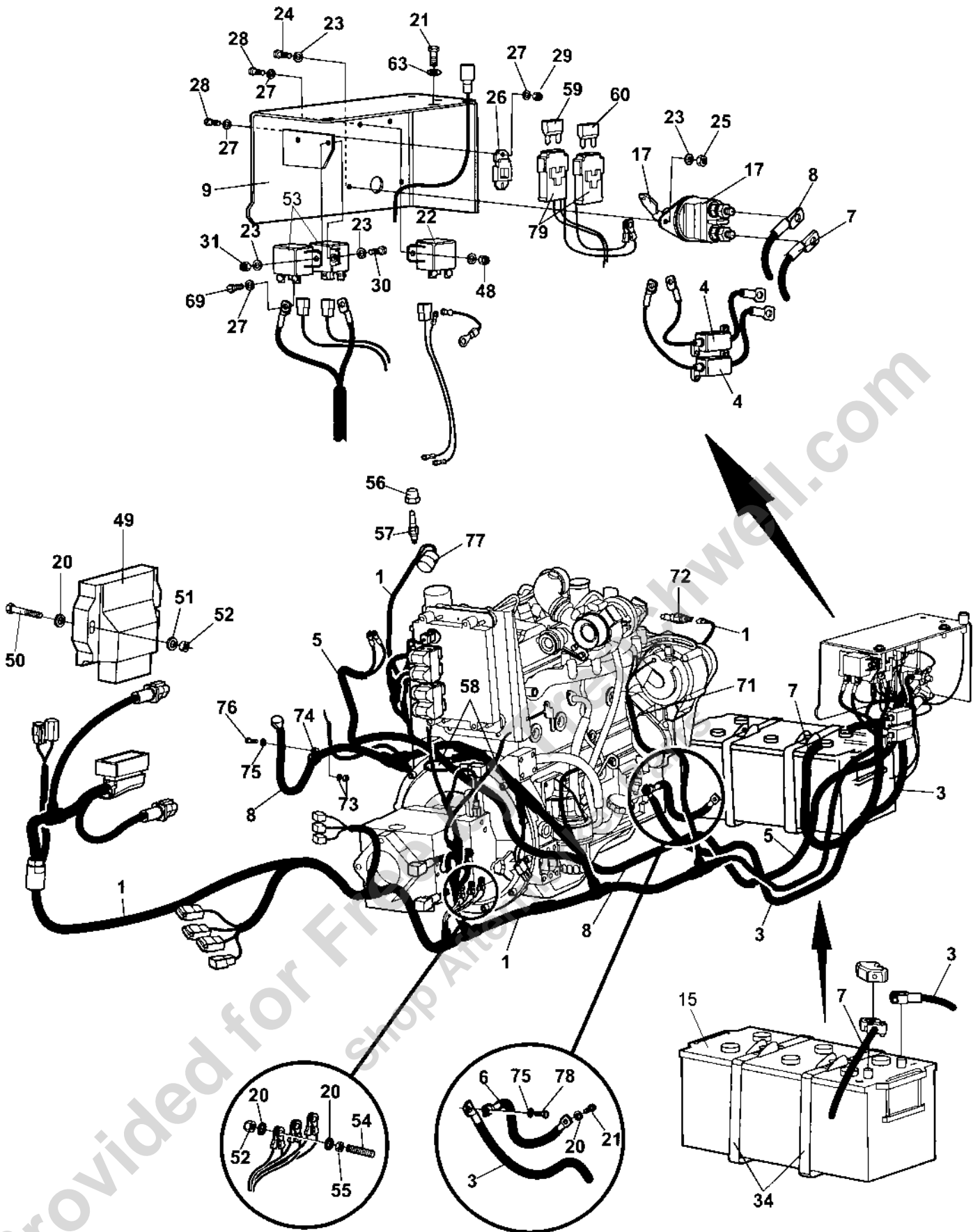
Provided for Free by Trenchwell.com
Shop Aftermarket Parts

Item	Part No	Rem Qty	Description	Code
10			Electric system (Page 118)	
20			Control panel Up to 73X21009 (Page 120)	
25			Control panel From 73X21010 (Page 122)	
40			Working lights (Page 124)	Option
70			Rotating beacon (Page 126)	Option
85			Back-up alarm (Page 128)	Option
90			Compaction meter (Page 130)	Option

Provided for Free by Trenchwell.com
Shop Aftermarket Parts

Electric system

18757



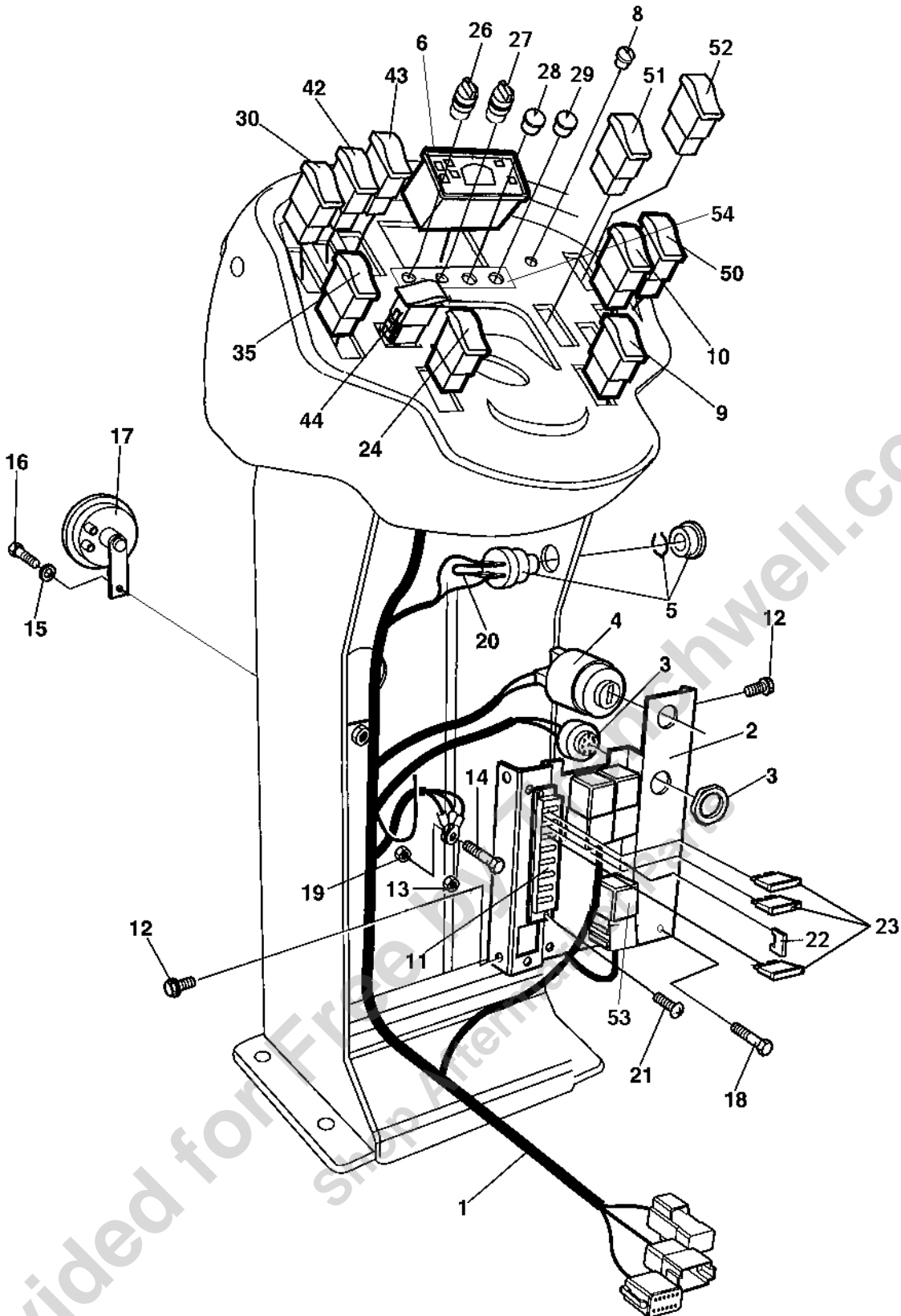
Electric system

Item	Part No	Rem Qty	Description	Code
1	4700394561	1	Cable harness	
3	4700792677	1	Battery cable	
4	4700387427	1	Cable harness	
5	4700392937	1	Cable harness	
6	4700791525	1	Connection cable, coarse	
7	4700791503	1	Battery cable	
8	4700791141	1	Battery cable	
9	4700394713	1	Cover	
15	4700792682	1	Battery	
17	4700903640	1	Battery switch	D
	4700903641	1	Key	D
20	4700904229	9	Washer	8,4x16x1,5
21	4700500053	3	Screw	M8x20H 8.8
22	4700791183	A 1	Relay	D
23	4700904228	8	Washer	6,4x12x1,5
24	4700500013	2	Screw	M6-1x16 8,8
25	4700570004	2	Nut	M6X1,00 -8 A2K
26	4700904036	1	Fuse holder	
27	4700904281	10	Washer	5,3x10x1 300HV
28	4700500060	4	Screw	M5-0,8x20 8.8
29	4700586001	2	Lock nut	
30	4700500075	1	Screw	M6-1,0x25 8.8
31	4700586002	2	Lock nut	M6 -8
34	4700389662	2	Strap	
48	4700902284	2	Nut	M5
49	4700378745	1	Control unit, ECU	
50	4700500025	2	Screw	M8-1,25x50 8,8
51	4700904556	2	Washer	8,4x16x3,0
52	4700586003	5	Lock nut	M8
53	4700791183	2	Relay	D
54	4700903768	3	Threaded stud	
55	4700570005	3	Nut	M8
56	4700813434	1	Reducer	
57	4700903631	1	Temperature sensor	Hydraulic oil
58	4700960727	4	Clamp	
59	4700904038	1	Fuse	40A
60	4700904037	1	Fuse	30A
63	4700904230	2	Washer	
65	4700313041		Cable ties	
69	4700500004	4	Screw	M5 0,8x12 8,8
71	4700921080	1	Clamp	
72	4700903632	1	Temperature sensor	Engine
73	4700904557	2	Washer	
74	4700921104	1	Clamp	
75	4700904637	2	Washer	
76	4700500030	1	Screw	
77	4700929023	1	Indicator	D
78	4700500029	1	Screw	
79	4700904032	2	Fuse holder	

A) Replaces P/N 4700904448 as Start relay from January 2009.

Control panel

18492-1



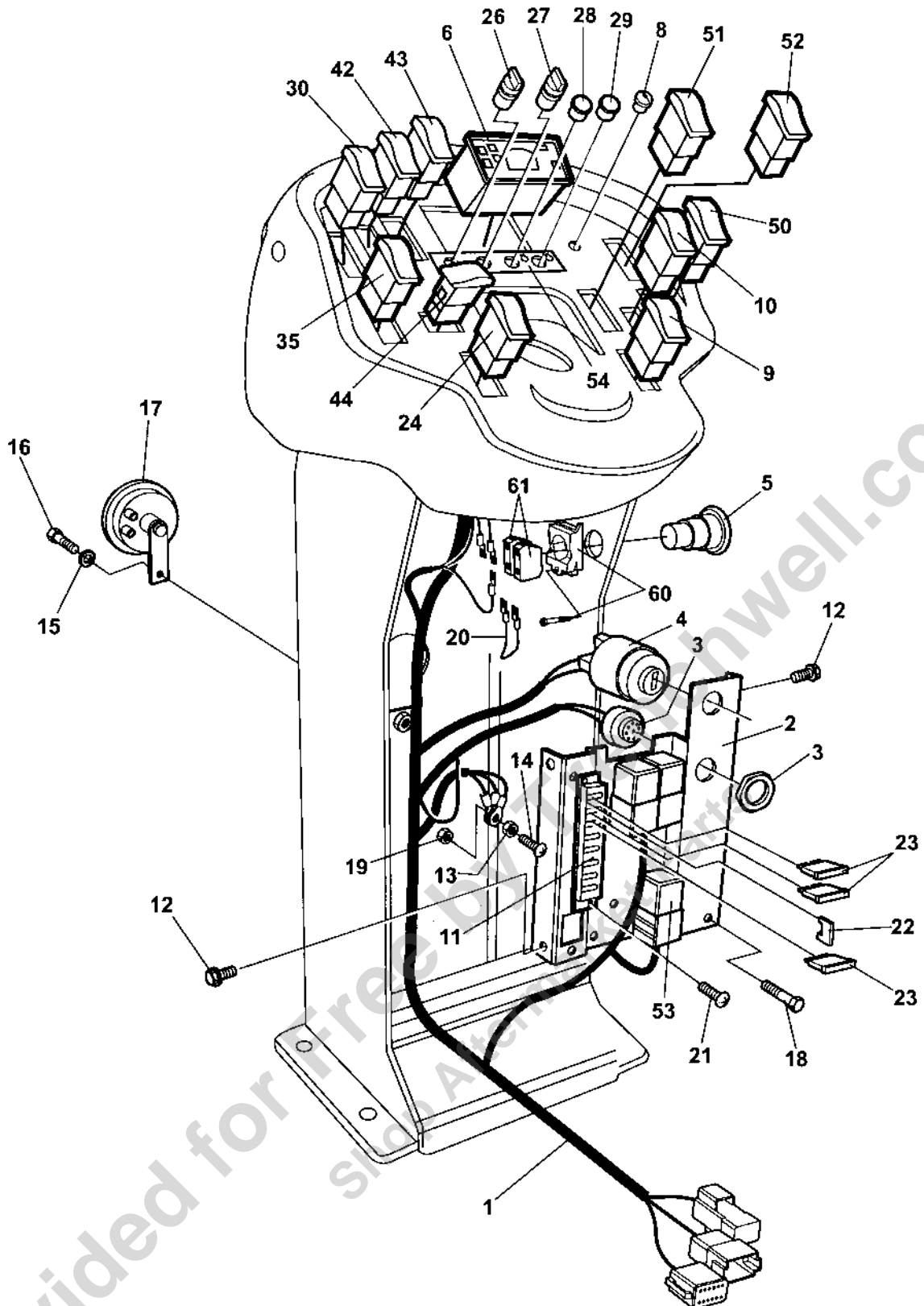
Control panel

Item	Part No	Rem	Qty	Description	Code	
1	4700392507	B	1	Cable harness		
2	4700387683		1	Distribution control plate		
3	4700385599		1	Buzzer		
4	4700238158		1	Ignition switch		
	4700940451		1	.Key		
5	4700791647		1	Emergency stop		
6	4700392996		1	Control panel		
8	4700792083	N		Plug		
9	4700792414		1	Switch, RPM		
10	4700792461		1	Switch, vibration		
11	4700791185		1	Fuse box		
12	4700903782		4	Screw	M5x12	
13	4700570004		3	Nut	M6X1,00 -8 A2K	
14	4700500075		1	Screw	M6-1,0x25 8.8	
15	4700904229		1	Washer	8,4x16x1,5	
16	4700500053		1	Screw	M8x20H 8.8	
17	4700999027		1	Horn		D
18	4700500075		1	Screw	M6-1,0x25 8.8	
19	4700586002		1	Lock nut	M6 -8	
20	4700791517		1	Connection cable		
21	4700901767		2	Screw	ST3,5x9,5 Black	
22	4700791211	N		Contact bridge		
23	4700901228	N		Fuse	15A	
	4700901227	N		Fuse	10A	B
	4700901225	N		Fuse	5A	B
24	4700791582		1	Switch, parking brake		
26	4700792317		1	Switch		
27	4700792318		1	Switch		
28	4700792435		1	Pilot lamp	Red	
	4700792432		1	Illuminated block red		
29	4700792319		1	Pilot lamp	Yellow	
	4700792315		1	Illuminated block yellow		
30	4700791587	A	1	Switch, working light		
35	4700791585	A	1	Switch, rotating beacon		
42	4700791583	A	1	Switch, driving light		
43	4700791584	A	1	Switch, hazard flashers		
44	4700792413	A	1	Switch, drive direction		
50	4700791588		1	Panel plug		
	4700792463	A	1	Switch, Power distribution		
51	4700791578		1	Switch, horn		
52	4700792462	A	1	Switch, TC & TM		
	4700791657		1	Switch, Hi-Lo Speed		
53	4700903956	A	1	Relay		D
54	4700394061		1	Decal		

- A) Option
- B) Control panel

Control panel

18887



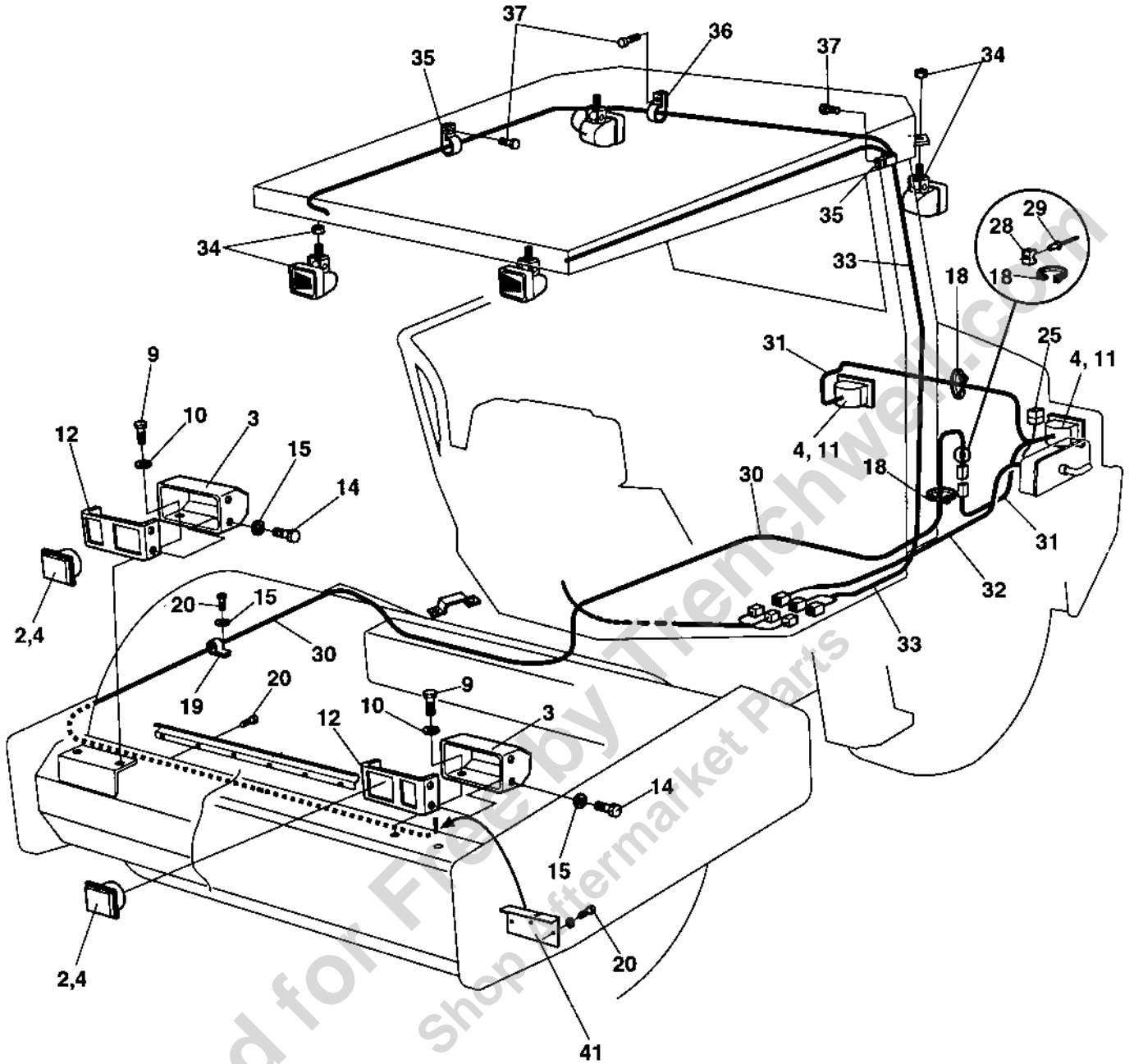
Control panel

Item	Part No	Rem	Qty	Description	Code	
1	4700396968	B	1	Cable harness		
2	4700387683		1	Distribution control plate		
3	4700385599		1	Buzzer		
4	4700238158		1	Ignition switch		
	4700940451		1	.Key		
5	4700791739		1	Emergency stop		
6	4700392996		1	Control panel		
8	4700792083	N		Plug		
9	4700792414		1	Switch, RPM		
10	4700792461		1	Switch, vibration		
11	4700791185		1	Fuse box		
12	4700903782		4	Screw	M5x12	
13	4700570004		3	Nut	M6X1,00 -8 A2K	
14	4700500075		1	Screw	M6-1,0x25 8.8	
15	4700904229		1	Washer	8,4x16x1,5	
16	4700500053		1	Screw	M8x20H 8.8	
17	4700999027		1	Horn		D
18	4700500075		1	Screw	M6-1,0x25 8.8	
19	4700586002		1	Lock nut	M6 -8	
20	4700343550		1	Connection cable		
21	4700901767		2	Screw	ST3,5x9,5 Black	
22	4700791211	N		Contact bridge		
23	4700901228	N		Fuse	15A	
	4700901227	N		Fuse	10A	B
	4700901225	N		Fuse	5A	B
24	4700791582		1	Switch, parking brake		
26	4700792317		1	Switch		
27	4700792318		1	Switch		
28	4700792435		1	Pilot lamp	Red	
	4700792432		1	Illuminated block red		
29	4700792319		1	Pilot lamp	Yellow	
	4700792315		1	Illuminated block yellow		
30	4700791587	A	1	Switch, working light		
35	4700791585	A	1	Switch, rotating beacon		
42	4700791583	A	1	Switch, driving light		
43	4700791584	A	1	Switch, hazard flashers		
44	4700792413	A	1	Switch, drive direction		
50	4700791588		1	Panel plug		
	4700792463	A	1	Switch, Power distribution		
51	4700791578		1	Switch, horn		
52	4700792462	A	1	Switch, TC & TM		
	4700791657		1	Switch, Hi-Lo Speed		
53	4700903956	A	1	Relay		D
54	4700394061		1	Decal		
60	4700791733		1	Fixing collar		
61	4700791723		2	Connector		

- A) Option
- B) Control panel

Working lights Option

18490



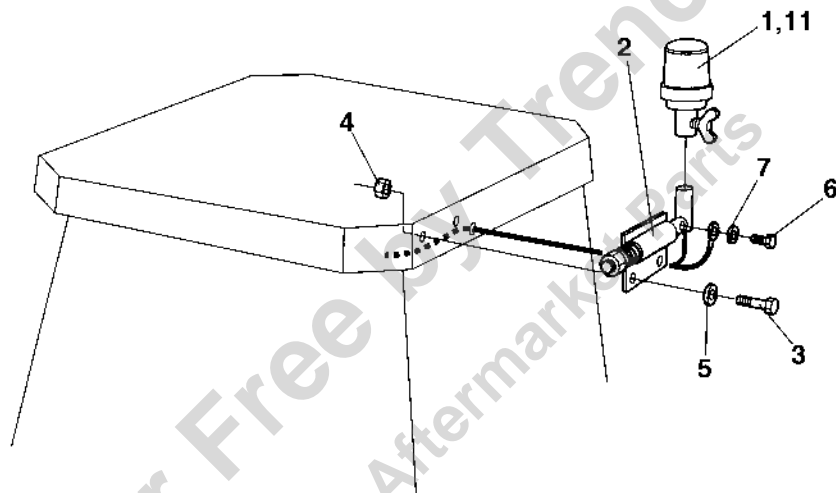
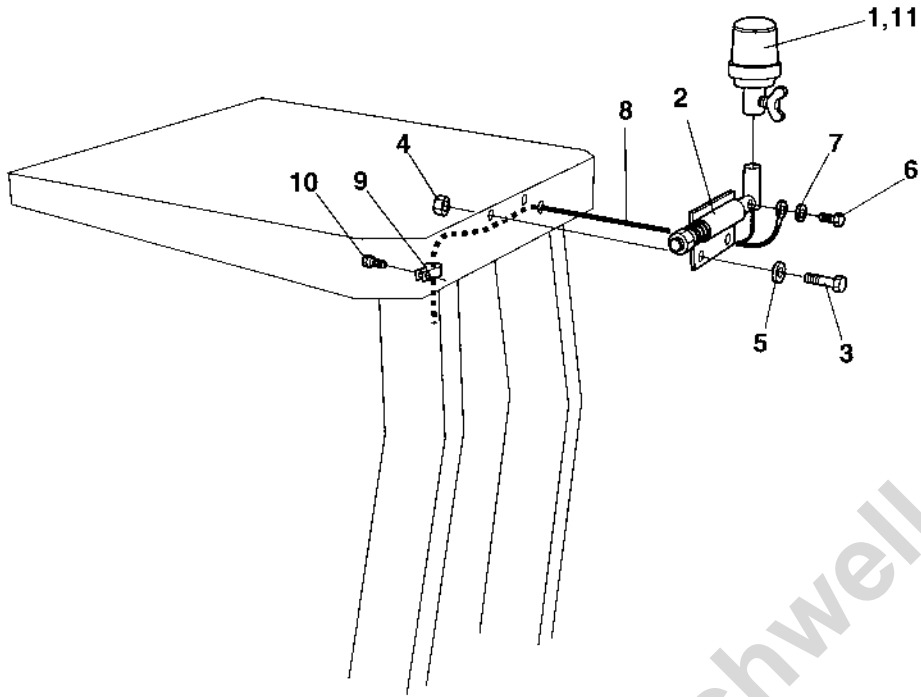
Working lights Option

Item	Part No	Rem Qty	Description	Code
2	4700902227	2	Work light	
3	4700374029	2	Lamp shield	
4	4700901369	4	Bulb	B
9	4700500053	6	Screw	55w H3
10	4700904640	6	Washer	M8x20H 8.8
11	4700904314	2	Work lamp	8,4x22x3
12	4700374030	2	Bracket	
14	4700500040	8	Screw	M6-1x20 8,8
15	4700904228	11	Washer	6,4x12x1,5
18	4700925802	7	Cable ties	L=142 mm
19	4700921039	8	Pipe clamp	
20	4700500012	3	Screw	M6x12
25	4700904038	1	Fuse	40A
28	4700904543	7	Cable tie holder	D
29	4700903436	7	Blind rivet	
30	4700392771	1	Cable harness	
31	4700392856	1	Cable harness	
32	4700373184	1	Cable harness	
33	4700392772	1	Cable harness	
34	4812110216	4	Work lamp	
	4700904230	4	Washer	
	4700586018	4	Lock nut	
35	4700921039	2	Pipe clamp	
36	4700791341	9	Clamp	
37	4700541702	11	Screw	M6x12
41	4700384163	2	Protection	

Provided for Free by Trenchwell.com
Shop Aftermarket Parts

Rotating beacon Option

16981



Provided for Free by Trenchwell.com
Shop Aftermarket Parts

Rotating beacon Option

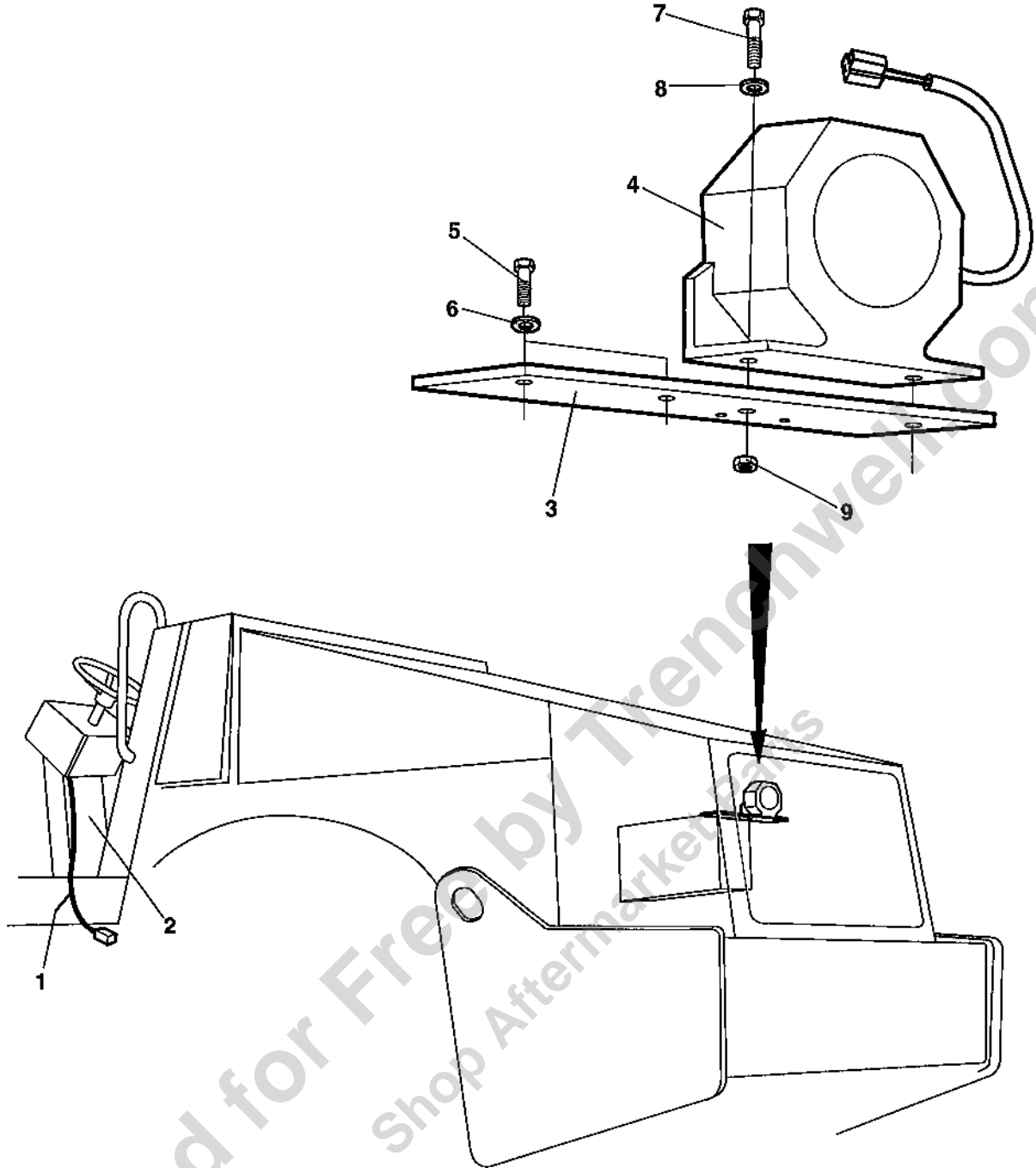
Item	Part No	Rem	Qty	Description	Code
1	4700999011	1	1	Rotating beacon	D
2	4700358452		1	Lamp holder	
3	4700500021		2	Screw	M8-1,25x25 8.8
4	4700586003		2	Lock nut	M8
5	4700904229		2	Washer	8,4x16x1,5
6	4700500013		1	Screw	M6-1x16 8,8
7	4700904228		1	Washer	6,4x12x1,5
8	4700374398		1	Cable harness	
9	4700921039		1	Pipe clamp	
10	4700541702		1	Screw	M6x12
11	4700389577	2	1	Rotating beacon	D

- 1) Is replaced by item 11, P/N 4700389577
- 2) Replaces item 1, P/N 4700999011

Provided for Free by Trenchwell.com
Shop Aftermarket Parts

Back-up alarm Option

17984



Back-up alarm Option

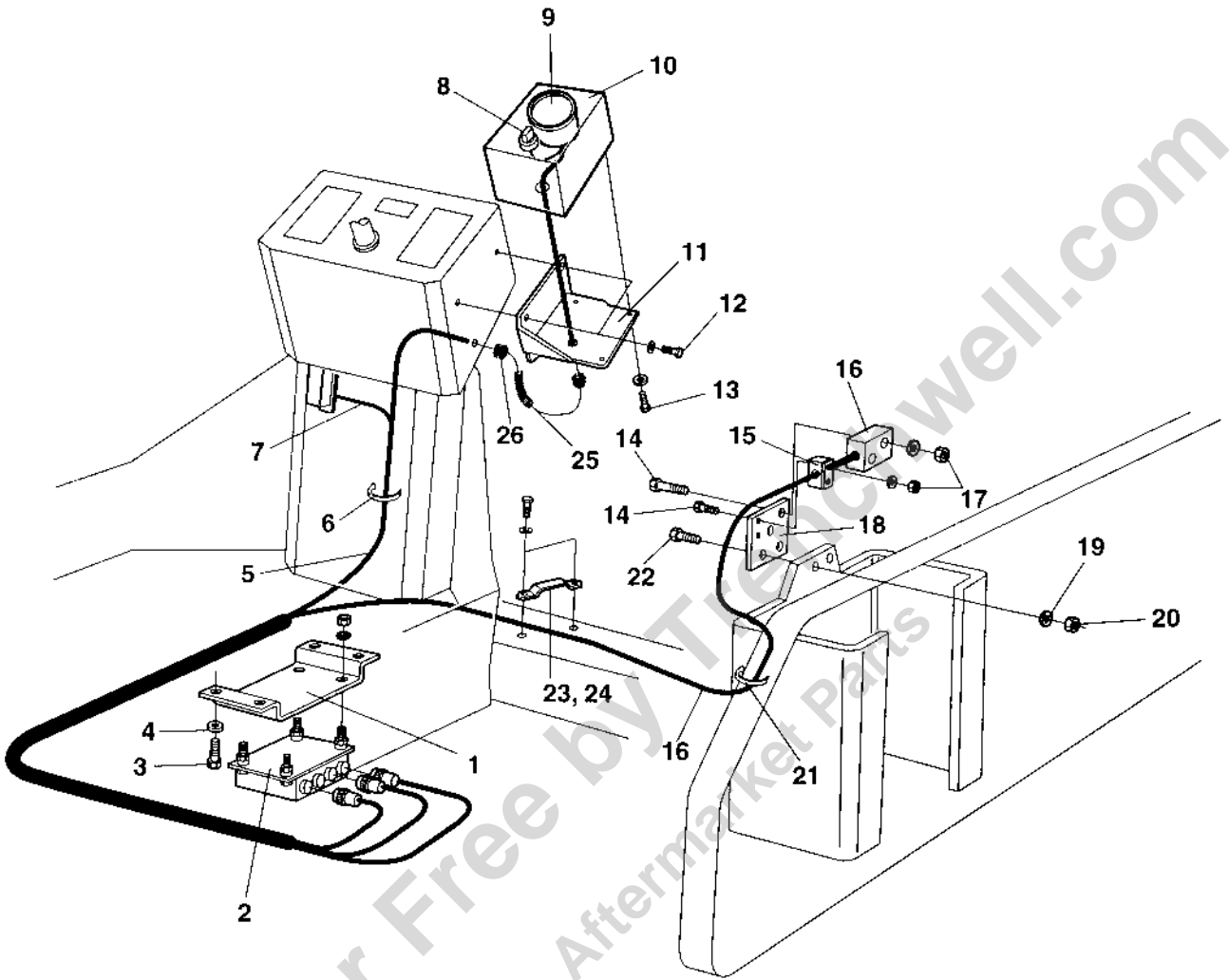
Item	Part No	Rem	Qty	Description	Code
1	4700380798	A	1	Cable harness	
2	4700901224	B	1	Fuse	3A
3	4700377071		1	Bracket	
4	4700904910		1	Back-up alarm	
5	4700500053		2	Screw	M8x20H 8.8
6	4700904229		2	Washer	8,4x16x1,5
7	4700500040		2	Screw	M6-1x20 8,8
8	4700904228		2	Washer	6,4x12x1,5
9	4700586002		2	Lock nut	M6 -8

- A) Is connected to the main wiring harness.
B) Located in the fusebox on the control panel.

Provided for Free by Trenchwell.com
Shop Aftermarket Parts

Compaction meter Option

17358



Provided for Free by www.TruckParts.com
Shop Aftermarket Parts

Compaction meter Option

Item	Part No	Rem Qty	Description	Code
1	4700372836	1	Bracket	
2	4700388210	1	Processor comp.meter	
3	4700500053	4	Screw	M8x20H 8.8
4	4700904229	4	Washer	8,4x16x1,5
5	4700372784	1	Cable harness	
6	4700313102	N	Cable ties	
7	4700381351	1	Cable harness	
8	4700930151	1	Switch	D
9	4700383452	1	Compaction meter	
10	4700373096	1	Instrument box	
11	4700383326	1	Bracket	
12	4700904206	3	Screw	
13	4700541526	4	Screw	
14	4700500079	4	Screw	M6-1x50 8,8
15	4700902496	1	Clamp	
16	4700348213	1	Sensor, cpl	
17	4700902285	7	Lock nut	M6
18	4700373140	1	Bracket	
19	4700904231	2	Washer	13x24x2 300 HV
20	4700902288	2	Nut	M12
21	4700313041	N	Cable ties	
22	4700500194	2	Screw	
23	4700373016	1	Hose clamp	
24	4700349435	1	Rubber part	
25	4700901190	A	Conduit	
26	4700903192	2	Grommet	

A) L=230mm

Provided for Free by Trenchwell.com
Shop Aftermarket Parts

Provided for Free by Trenchwell.com
Shop Aftermarket Parts

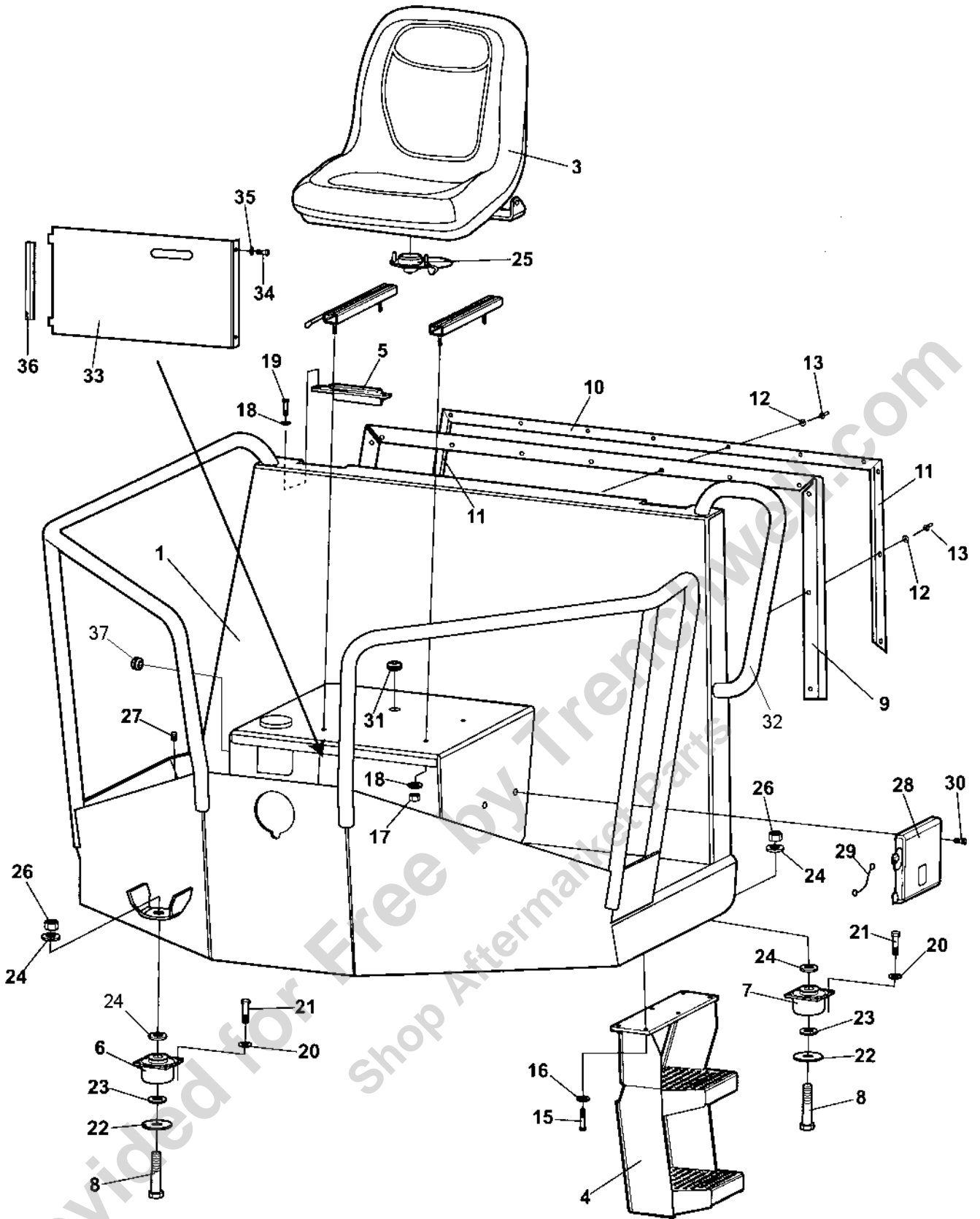
Drivers platform

Item	Part No	Rem Qty	Description	Code
10			Drivers platform (Page 134)	
20			Control panel (Page 136)	
40			Forward and reverse control (Page 138)	
50			Steering column (Page 142)	
80			Canopy (Page 144)	Option
90			Rops and fops (Page 146)	
100			Cab mounting (Page 148)	
120			Cab (Page 150)	392479

Provided for Free by Trenchwell.com
Shop Aftermarket Parts

Drivers platform

18726



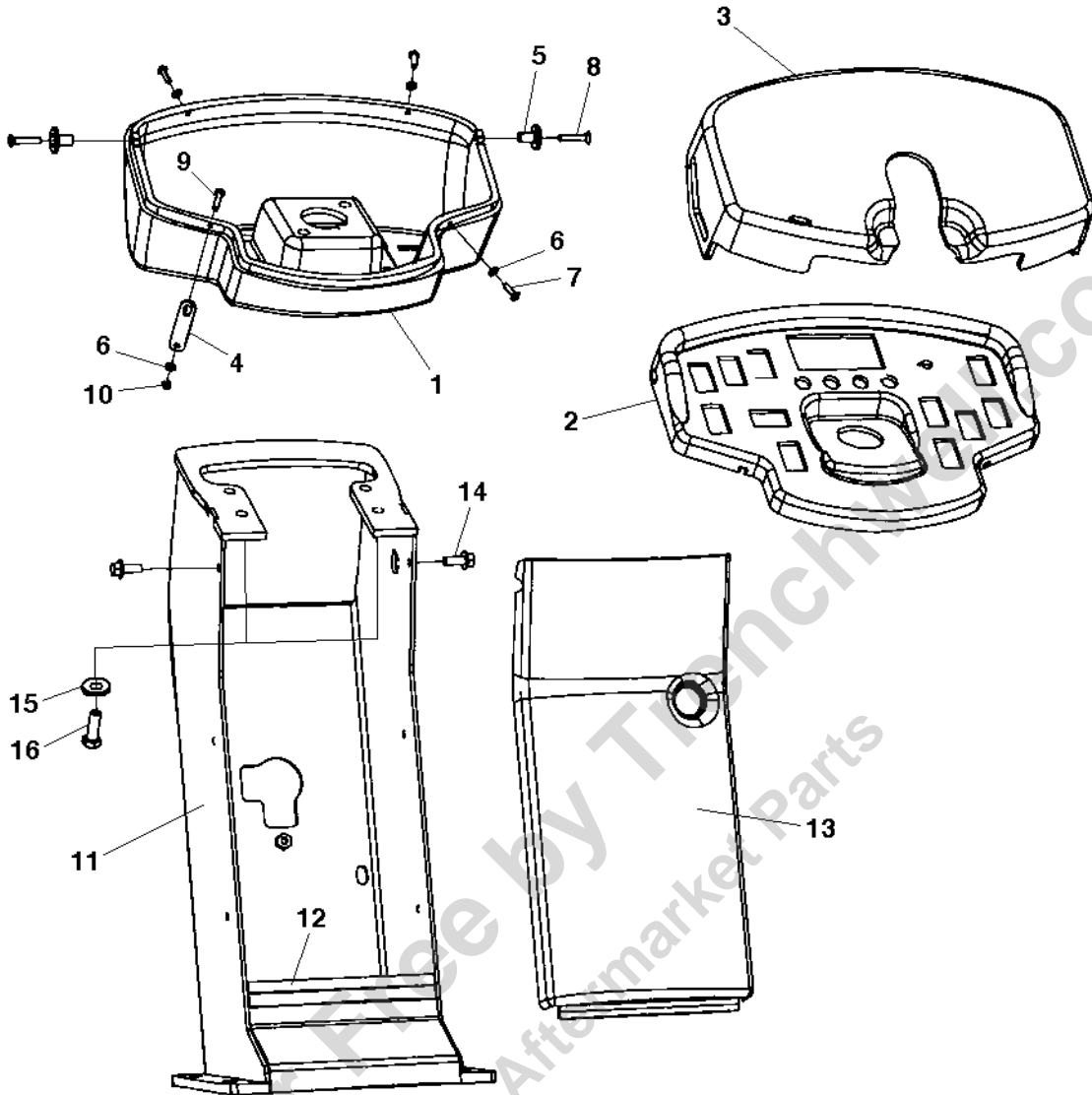
Drivers platform

Item	Part No	Rem	Qty	Description	Code
1	4700392394		1	Platform	
3	4700377556		1	Seat	
4	4700376255		1	Step	
5	4700380727		2	Cover	
6	4700372757		2	Shock absorber	D
7	4700373400		2	Shock absorber	D
8	4700500210		4	Screw	M20-2,5x100 8.8
9	4700372494	A	1XL	Rubber strip	
10	4700372785		1	List	
11	4700382582		2	List	
12	4700927974		13	Washer	
13	4700904433		13	Blind rivet	
15	4700500029		4	Screw	
16	4700904230		4	Washer	
17	4700586003		4	Lock nut	M8
18	4700904229		8	Washer	8,4x16x1,5
19	4700500053		4	Screw	M8x20H 8.8
20	4700904231		16	Washer	13x24x2 300 HV
21	4700500195		16	Screw	
22	4700347512		4	Washer	
23	4700903290		4	Washer	21x36x6
24	4700904233		8	Washer	21x36x3
25	4700379636	C	1	Seat switch	
	4812155075	D	1	Seat switch	
26	4700901145		4	Lock nut	M20-10
27	4700902203		2	Plug	
28	4700383705		1	Instruction book holder	
29	4700357643		1	Wire	
30	4700791226		4	Screw	
31	4700903192		1	Grommet	
32	4700380123		1	Grab handle	
33	4700392875		1	Cover	
34	4700500013		2	Screw	M6-1x16 8,8
35	4700904228		2	Washer	6,4x12x1,5
36	4700902166	B	1XL	Edge trim	
37	4700903727		1	Plug	

- A) L=2,400M
- B) L=0,210M
- C) With bayonet fitting.
- D) With screws.

Control panel

18487



Control panel

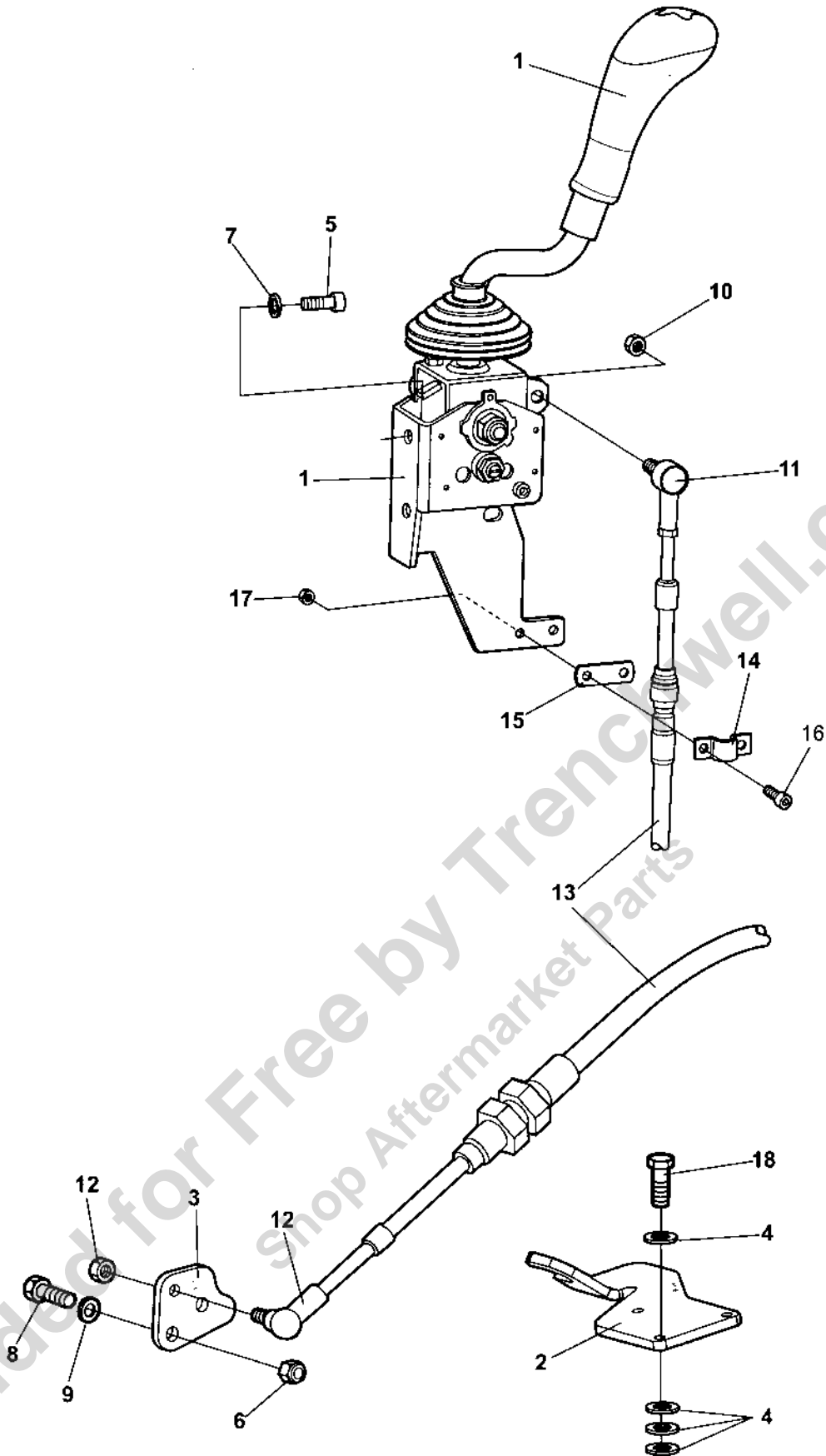
Item	Part No	Rem Qty	Description	Code
1	4700387720	1	Control panel holder	
2	4700391784	1	Control panel	
3	4700387227	1	Control panel cover	
4	4700387545	1	Latch	
5	4700357855	2	Bushing	
6	4700904281	4	Washer	5,3x10x1 300HV
7	4700904653	3	Screw	M5x16 A2-70
8	4700513017	2	Screw	M6x30H 10,9
9	4700500007	1	Screw	M5-0,8x22H 8,8
10	4700791476	1	Nut	M5 -8
11	4700378335	1	Control panel column	
12	4700902166	A 1XL	Edge trim	
13	4700387226	1	Column cover	
14	4700500505	2	Screw	M8x20 8.8
15	4700904230	4	Washer	
16	4700500029	4	Screw	

A) L=0,190 m

Provided for Free by Trenchwell.com
Shop Aftermarket Parts

Forward and reverse control

18762



Forward and reverse control

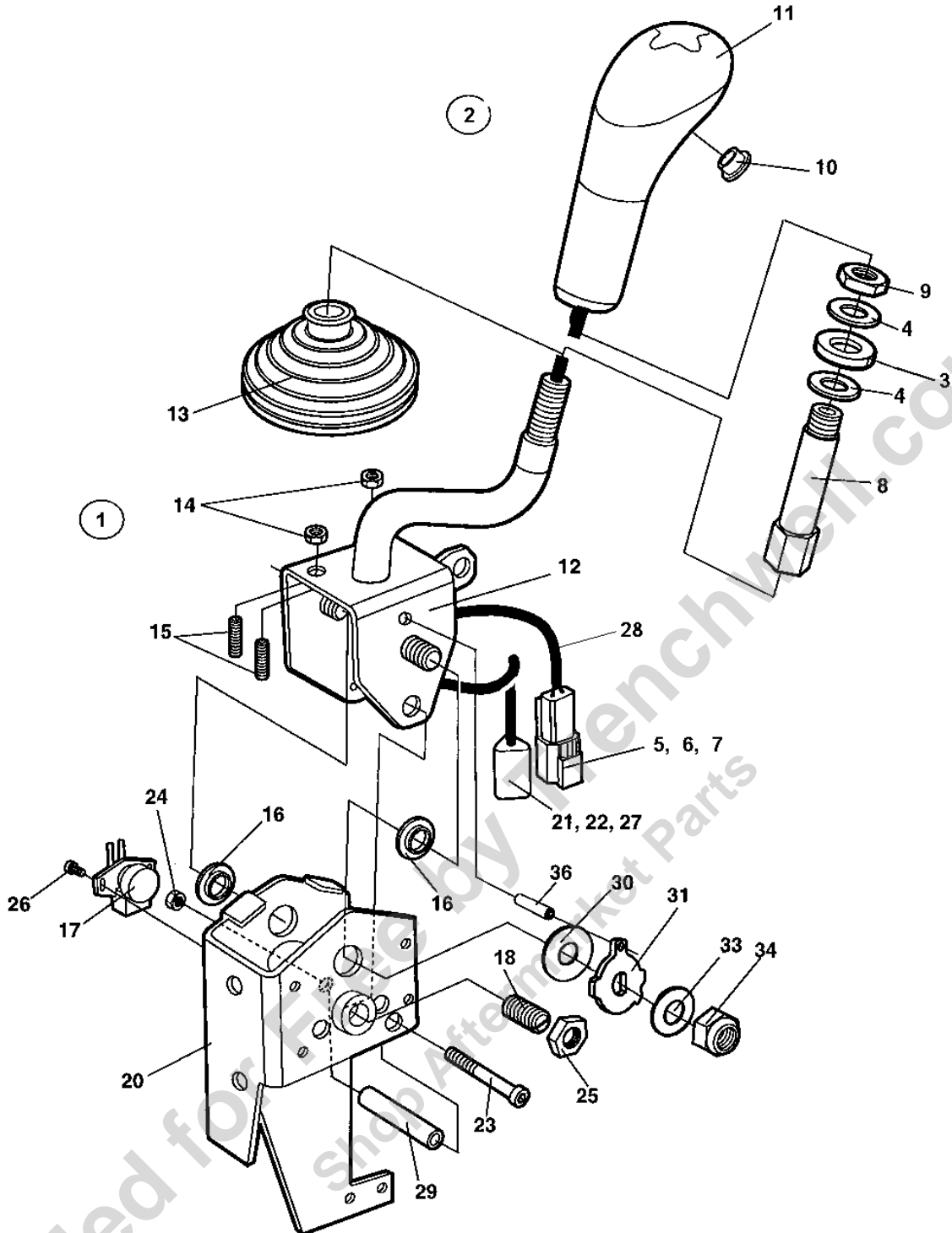
Item	Part No	Rem	Qty	Description	Code
1			1	Forward and reverse control handle (Page 140)	
2	4700384888		1	Bracket	
3	4700380366		1	Control bracket	
4	4700904228		12	Washer	6,4x12x1,5
5	4700508092		2	Screw	
6	4700586003		2	Lock nut	M8
7	4700904556		2	Washer	8,4x16x3,0
8	4700500021		2	Screw	M8-1,25x25 8.8
9	4700904229		2	Washer	8,4x16x1,5
10	4700586003		1	Lock nut	M8
11	4700377019		1	Ball joint	
12	4700416034		1	Ball joint	
13	4700377024	A	1	Cable	Forward/Reverse
14	4700377020		1	Clamp	
15	4700377021		1	Spacer	
16	4700926537		2	Screw	M5-0,8x16H 8,8
17	4700586001		1	Lock nut	
18	4700791110		3	Screw	M6x25

A) L=1,900M

Provided for Free by Trenchwell.com
Shop Aftermarket Parts

Forward and reverse control handle

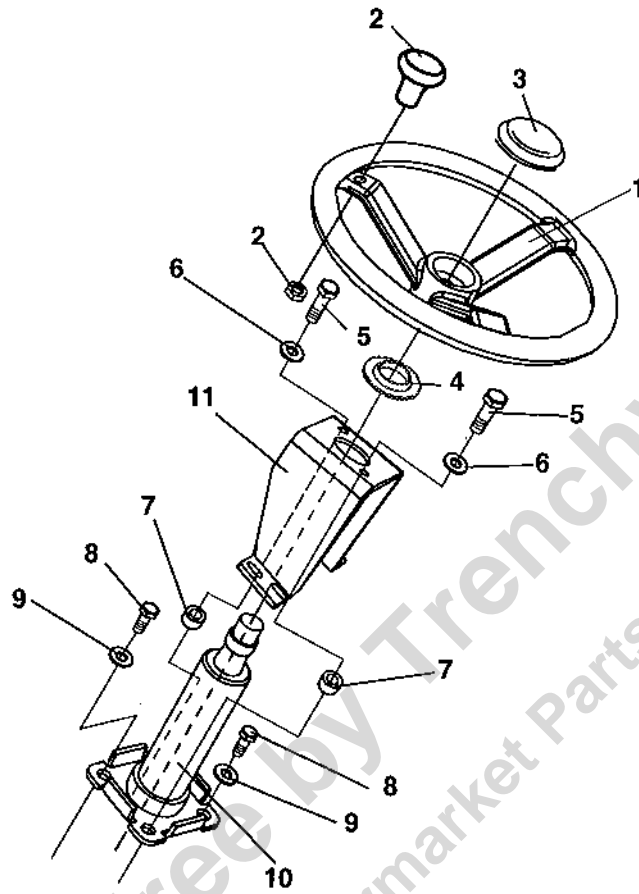
18071-2



Forward and reverse control handle

Item	Part No	Rem	Qty	Description	Code
1	4700945407		1	Lever, cpl	
2	4700940374		1	.Handle kit, cpl	
			1	..Handle	
	4700945729		1	...Push-button switch	
			1	...Cable	
			1	..Lockfluid	
			1	..Service information	
3			1	..Washer	
4			2	..Washer	
5			1	..Connector, receptable	
6			1	..Lock wedge	
7			2	..Pin	
8			1	..Rod	
9			1	..Nut	
10	4700377018		1	..Protection plug	
11	4700378759		1	..Handle top	
12	4700391379		1	.Lever	
13	4700377009		1	.Bellows	
14	4700570004		2	.Nut	M6X1,00 -8 A2K
15	4700377015		2	.Set screw	
16	4700391381		1	Bushing	
17	4700391382		1	Potentiometer with cable	
18	4700377016		1	Spring loaded pin	
20	4700377010		1	Bracket	
21	4700903945		1	Connector, plug	
22	4700903946		1	Lock wedge	
23	4700508068		1	Screw	
24	4700904563		1	Lock nut	M6
25	4700927233		1	Nut	
26	4700391383		1	Screw	
27	4700903947		3	Pin	
28		B	1	Cable	
29	4700377011		1	Spacer	
30	4700377012		1	Friction washer	
31	4700391380		1	Cam washer	
33	4700377014		1	Spring washer	
34	4700586019		1	Lock nut	
36	4700391386		1	Spirol pin	

B) Included in potentiometer Pos 17



Steering column

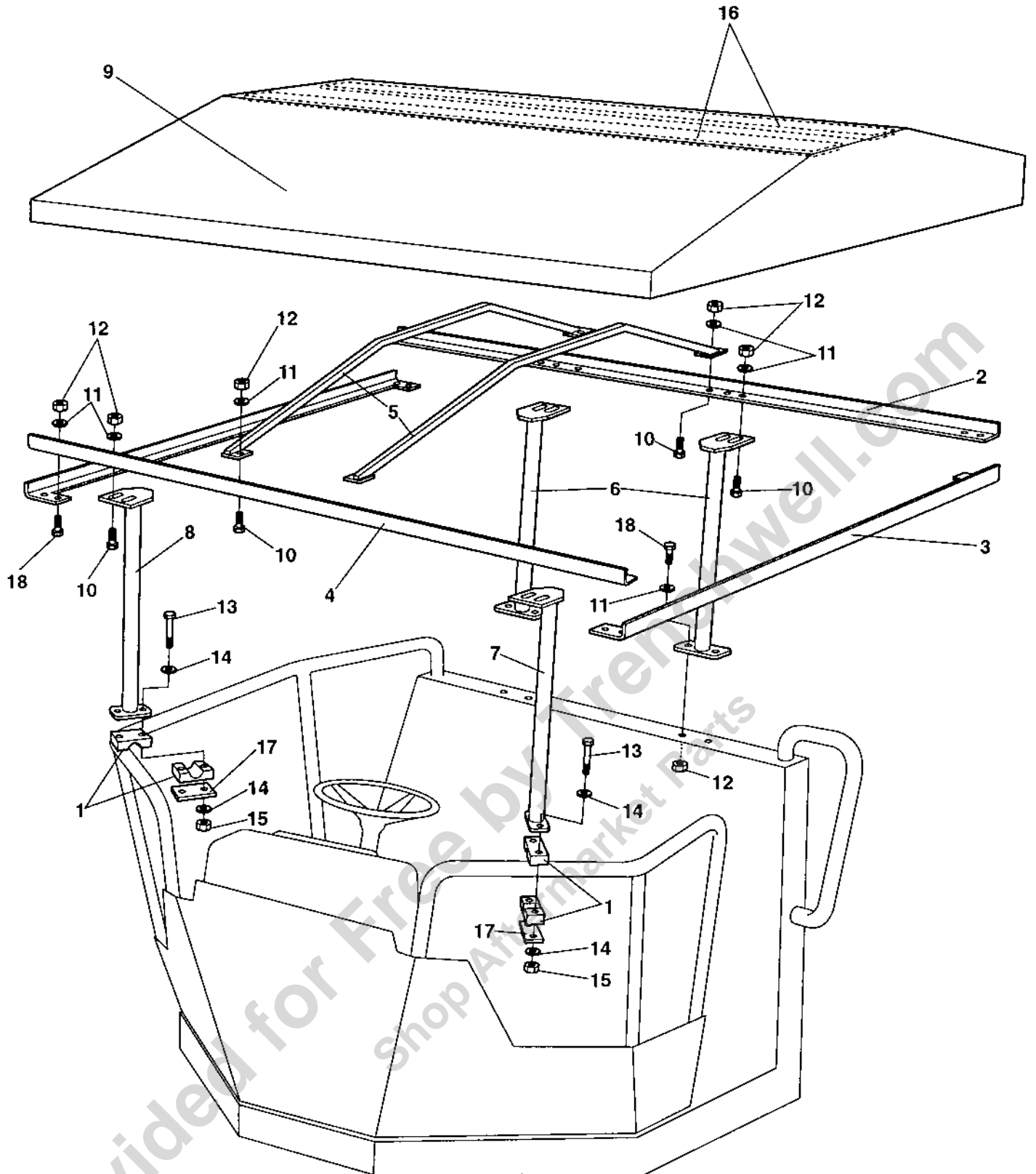
Item	Part No	Rem	Qty	Description	Code
1	4700372964		1	Steering wheel, cpl	
2	4700935614		1	.Turning knob	D
3	4700935613		1	.Cover	
4	4700928830		1	Rubber washer	
5	4700500030		2	Screw	
6	4700904230		2	Washer	
7	4700355869		2	Spacer sleeve	
8	4700500048		2	Screw	M10-1,5x20 8,8
9	4700904230		4	Washer	
10	4700902123		1	Steering column	
11		A	1	Bracket	

A) Included in control panel

Provided for Free by Trenchwell.com
Shop Aftermarket Parts

Canopy Option

17483



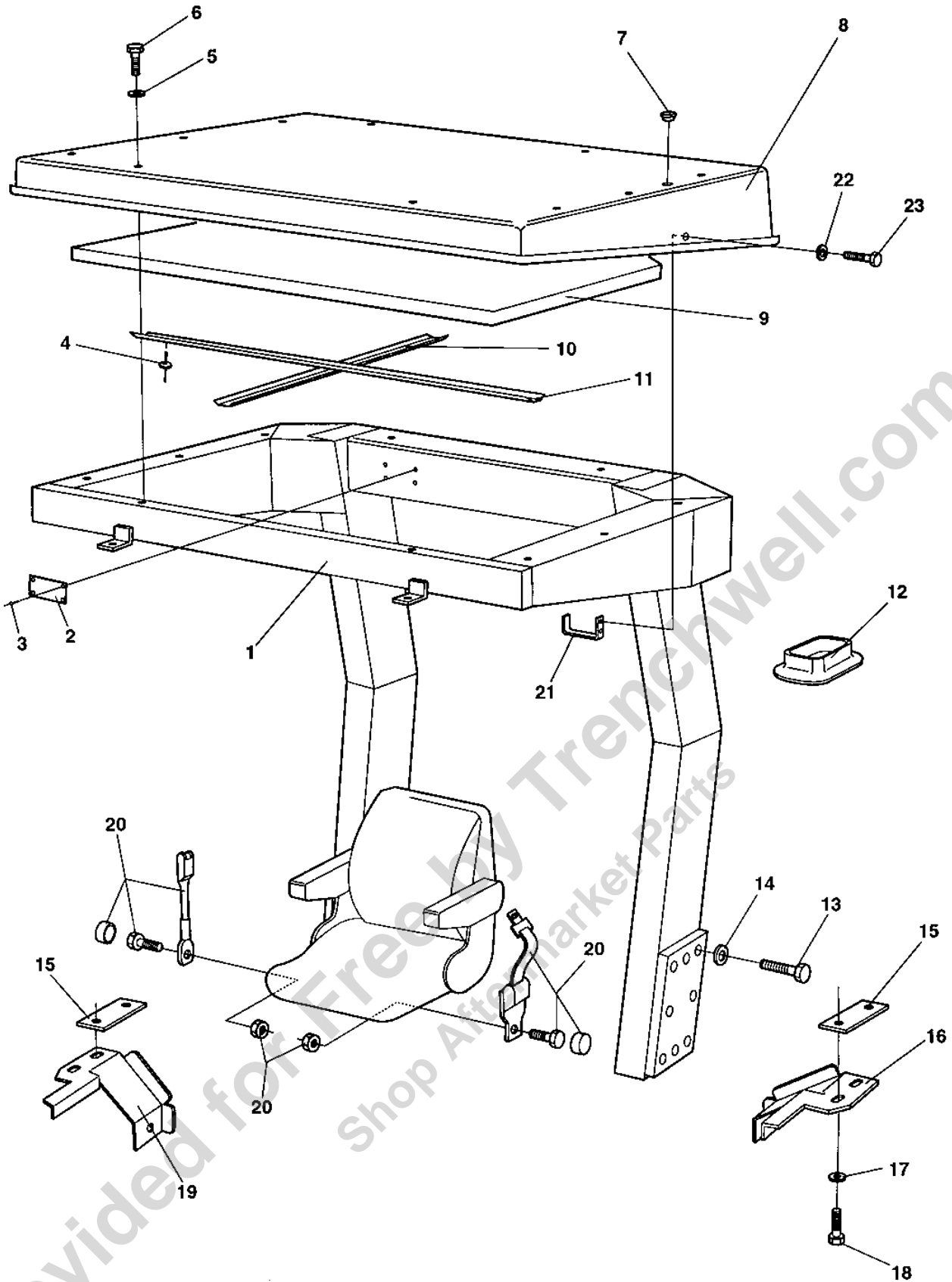
Canopy Option

Item	Part No	Rem Qty	Description	Code
1	4700904340	2	Pipe clamp	
2	4700373746	1	Canopy profile	
3	4700373747	2	Canopy profile	
4	4700373748	1	Canopy profile	
5	4700373749	4	Canopy rib	
6	4700373750	2	Canopy anchor	
7	4700380963	1	Canopy anchor	
8	4700380964	1	Canopy anchor	
9	4700373906	1	Roof	
10	4700500021	16	Screw	M8-1,25x25 8.8
11	4700904229	44	Washer	8,4x16x1,5
12	4700586003	22	Lock nut	M8
13	4700500153	4	Screw	
14	4700904228	8	Washer	6,4x12x1,5
15	4700586002	4	Lock nut	M6 -8
16	4700373907	2	Lath	
17	4700924791	2	Cover plate	
18	4700500022	8	Screw	M8x30H 8.8 A2K

Provided for Free by Trenchwell.com
Shop Aftermarket Parts

Rops and fops

17526



Rops and fops

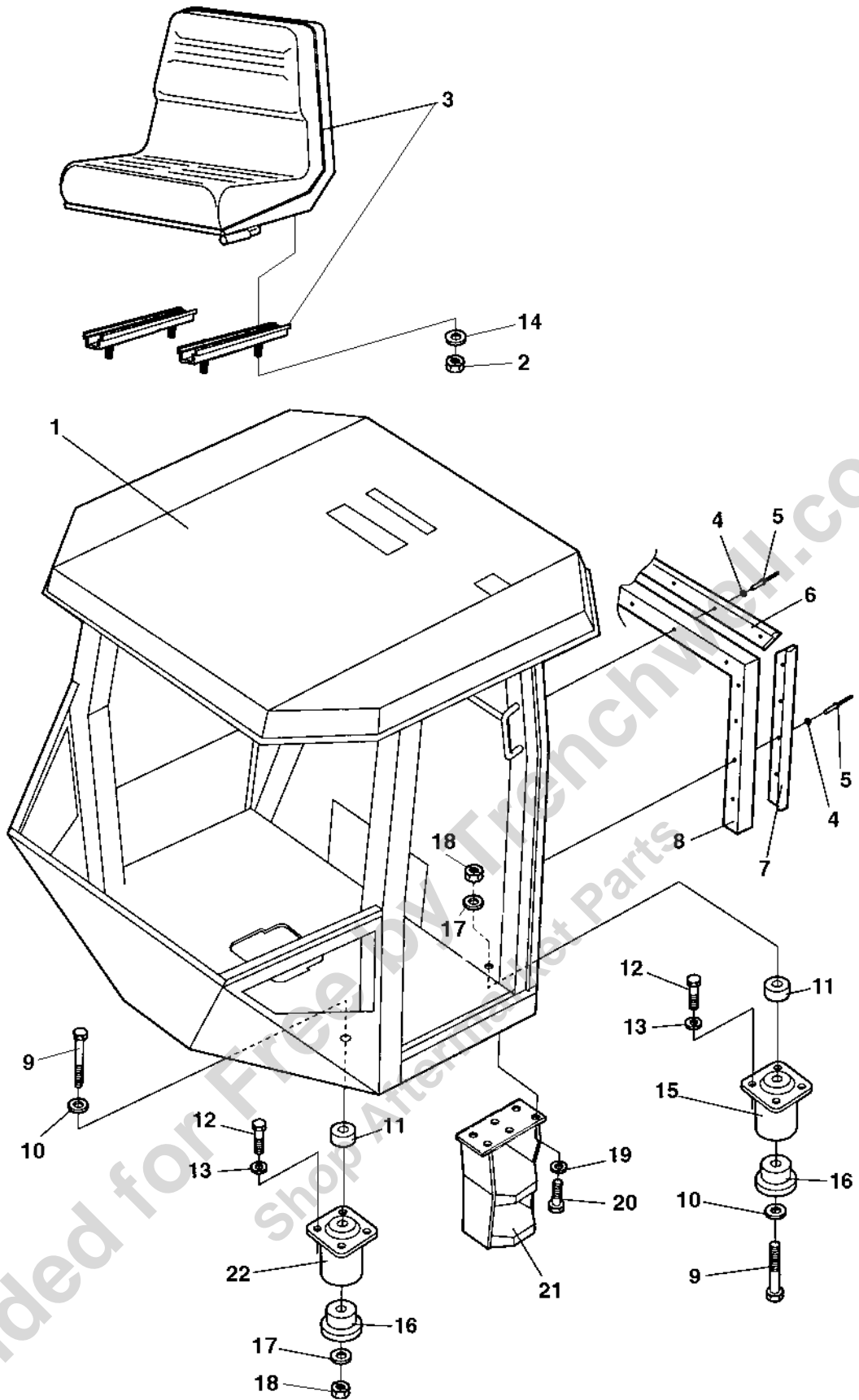
Item	Part No	Rem Qty	Description	Code
1	4700373943	1	Rops	
2	4700370803	1	.Sign, rops	
3	4700624016	4	.Blind rivet	
4	4700904619	12	Blind rivet	
5	4700904734	19	Washer	8,4x26x4
6	4700500239	19	Screw	
7	4700904180	4	Plug	
8	4700372745	1	Fops roof	
	4700370792	1	.Sign, fops	
	4700624016	4	.Blind rivet	
9	4700372678	1	Absorbent	
10	4700376489	1	Absorbent holder	
11	4700376488	1	Absorbent holder	
12	4700372489	2	Rubber seal	
13	4700500226	12	Screw	M20-2.5x180 8,8
14	4700904233	12	Washer	21x36x3
15	4700381330	2	Holder	
16	4700381353	1	Holder plate	
17	4700904640	8	Washer	8,4x22x3
18	4700500022	8	Screw	M8x30H 8.8 A2K
19	4700381352	1	Holder plate	
20	4700377677	1	Seat belt	2"
	4700379637	A 1	Seat belt	3"
21	4700383225	2	Hook	
22	4700904734	4	Washer	8,4x26x4
23	4700500100	4	Screw	

A) Option 3"

Provided for Free by Trenchwell.com
Shop Aftermarket Parts

Cab mounting

18429



Cab mounting

Item	Part No	Rem	Qty	Description		Code
1				Cab (Page 150)	392479	
2	4700570005		4	Nut	M8	
3	4700377556		1	Seat		
	4700377518	D	1	Drivers seat, cpl		
4	4700927974		13	Washer		
5	4700904433		13	Blind rivet		
6	4700372785		1	List		
7	4700382582		2	List		
8	4700372494	A	N	Rubber strip		
9	4700791218		4	Screw	M20x200	
10	4700904233		4	Washer	21x36x3	
11	4700384759		4	Spacer		
12	4700500195		16	Screw		
13	4700904231		16	Washer	13x24x2 300 HV	
14	4700904229		4	Washer	8,4x16x1,5	
15	4700374606	B	2	Shock absorber	Green	D
16	4700372457		4	Back-up ring		
17	4700903290		4	Washer	21x36x6	
18	4700901145		4	Lock nut	M20-10	
19	4700904230		6	Washer		
20	4700500029		6	Screw		
21	4700376255		1	Step		
22	4700374607	C	2	Shock absorber	Yellow	D
23	4700382397		2	Spacer		

- A) L=2400 mm
- B) Rear
- C) Front
- D) Option

Provided for Free by Trenchwell.com
Shop Aftermarket Parts

Provided for Free by Trenchwell.com
Shop Aftermarket Parts

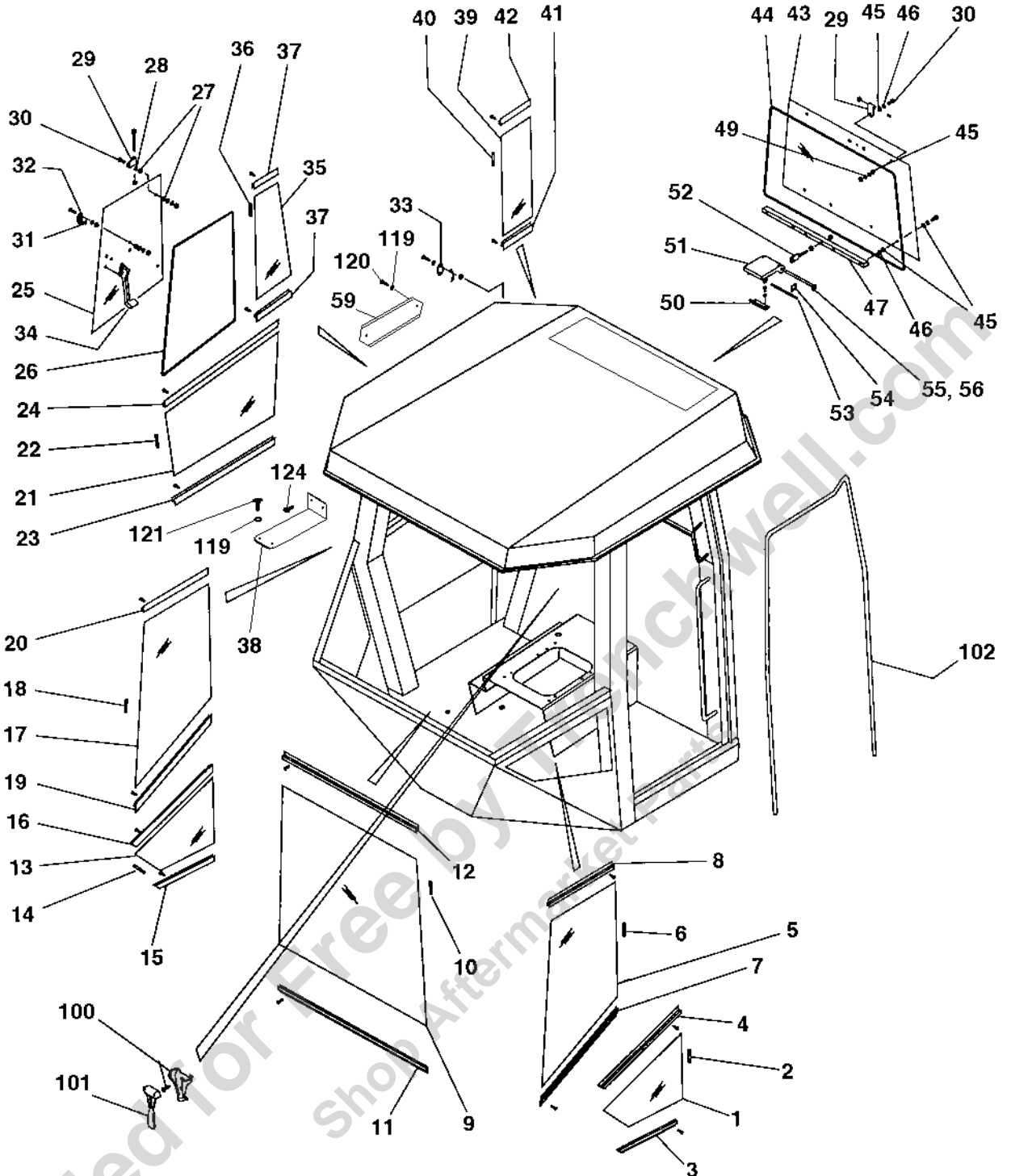
Cab 392479

Item	Part No	Rem Qty	Description	Code
130			Cab (Page 152)	Screens
140			Cab (Page 156)	Door, left side
150			Cab (Page 158)	Interior rear mirror
170			Wiper arm with blade, front (Page 160)	
180			Cab (Page 162)	Electric

Provided for Free by Trenchwell.com
Shop Aftermarket Parts

Cab Screens

18431



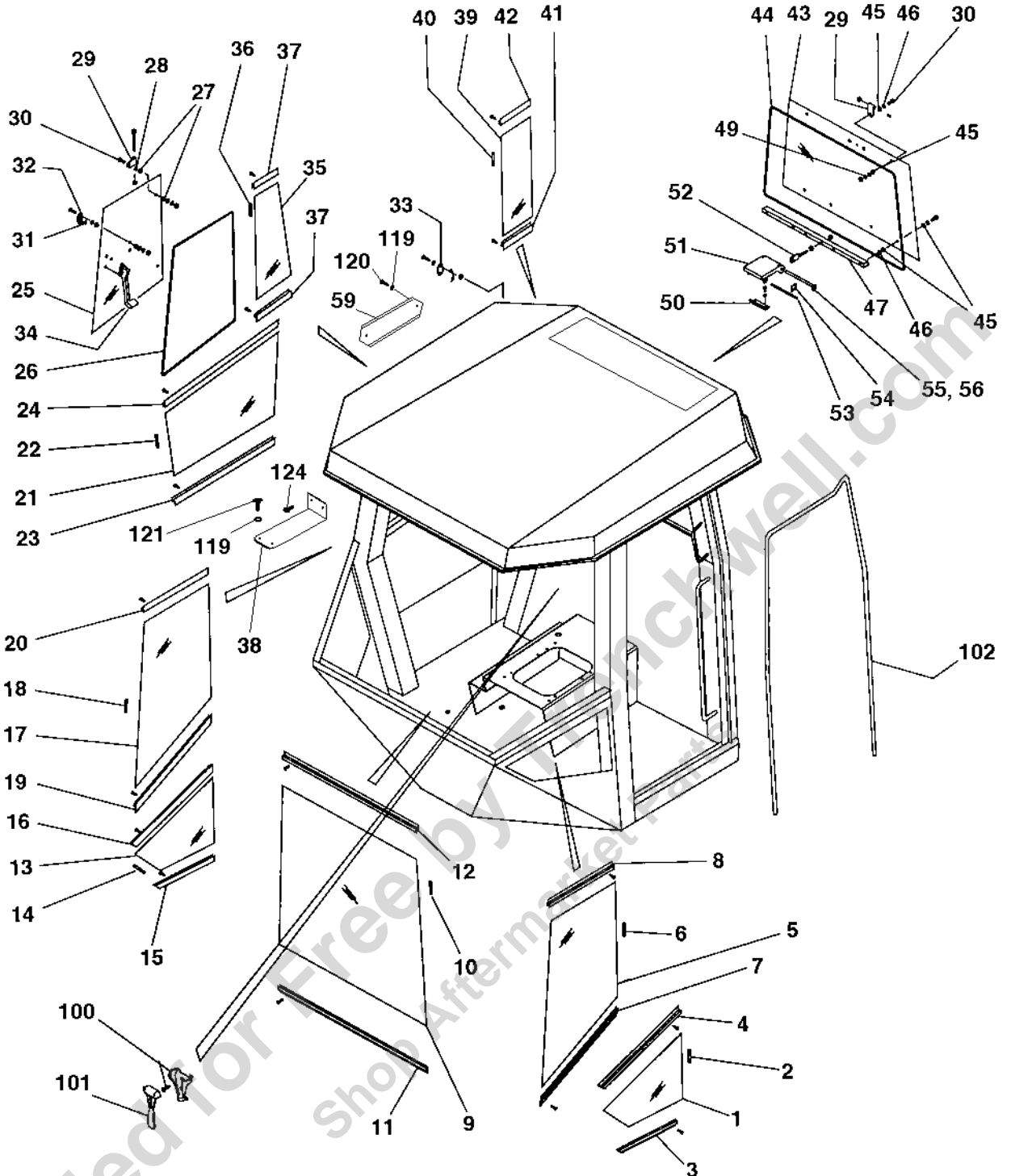
Cab Screens

Item	Part No	Rem	Qty	Description	Code
1	4700937380		1	Screen	
2	4700908545		XL	Seal list	
3	4700935278		1	List	
4	4700935279		1	List	
5	4700937381		1	Screen, left	
6	4700908545		XL	Seal list	
7	4700935280		1	List	
8	4700935281		1	List	
9	4700937382		1	Screen	
10	4700908545	D	1	Seal list	
11	4700935282		1	List	
12	4700935283		1	List	
13	4700937383		1	Screen	
14	4700908545		XL	Seal list	
15	4700935284		1	List	
16	4700935285		1	List	
17	4700937384		1	Screen	
18	4700908545	C	1	Seal list	
19	4700935286		1	List	
20	4700935287		1	List	
21	4700937385		1	Screen	
22	4700908545	A	1	Seal list	
23	4700935288		1	List	
24	4700935289		1	List	
25	4700938290		1	Screen	
26	4700908499	E	1	Rubber list	
27	4700935271		8	Washer, Flexible rubber	
28	4700935272		8	Washer, Black	
29	4700935273		4	Hinge	
30	4700935274		4	Screw	
31	4700935275		1	Rubber washer	
32	4700935276		1	Bracket	
33	4700935277		1	Lock pin	
34	4700935290		1	Window lock, right	
35	4700938291		1	Screen	
36	4700908545	B	1	Seal list	
37	4700935291		1	List	
38	4700379608		1	Cover	
39	4700938292		1	Screen	
40	4700908545	B	1	Seal list	
41	4700935293		1	List	
42	4700938659		1	List	
43	4700937389		1	Screen	
44	4700908499	F	1	Rubber list	
45	4700935271		12	Washer, Flexible rubber	
46	4700935272		12	Washer, Black	
47	4700935295		1	Screen holder	
49	4700935296		2	Washer	
50	4700935297		1	Bracket	
51	4700935298		2	Bracket	
52	4700935299		1	Bolt	
53	4700935300		1	Shaft	
54	4700935301		2	Lock	

- A) L=1100 mm
- B) L=1400 mm
- C) L=1900 mm
- D) L=2100 mm
- E) L=2700 mm
- F) L=3300 mm

Cab Screens

18431



Cab Screens

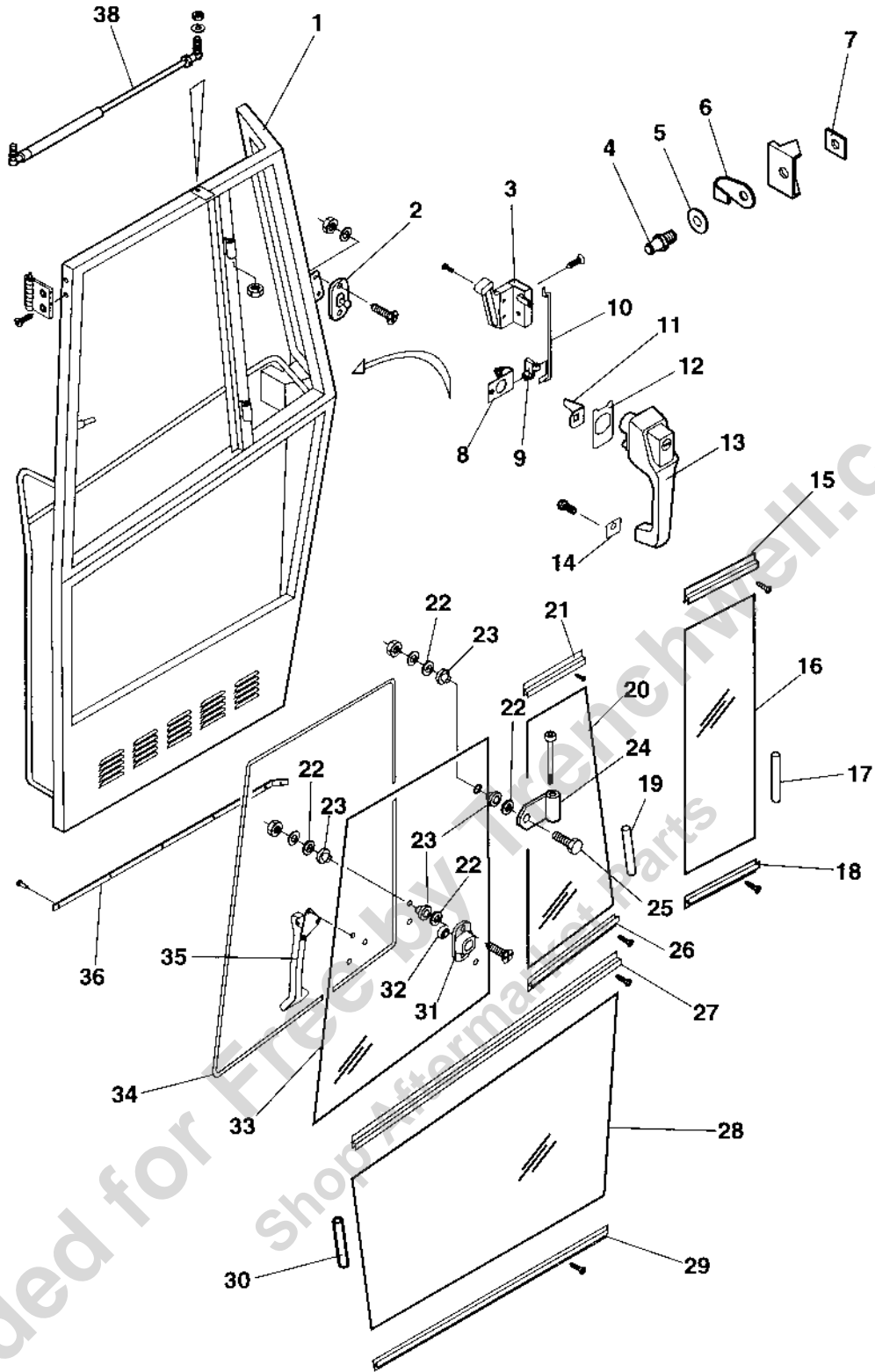
Item	Part No	Rem Qty	Description	Code
55	4700935302	1	Rod	
56	4700935303	1	Ring	
59	4700379236	1	Cover	
100	4700908506	1	Holder	
101	4700908507	1	Emergency hammer	
102	4700908499	G 1	Rubber list	
119	4700904229	16	Washer	8,4x16x1,5
120	4700500019	14	Screw	M8x16H 8.8 A2K
121	4700500053	2	Screw	M8x20H 8.8
124	4700903782	2	Screw	M5x12

G) L=5 m

Provided for Free by Trenchwell.com
Shop Aftermarket Parts

Cab Door, left side

16967-1



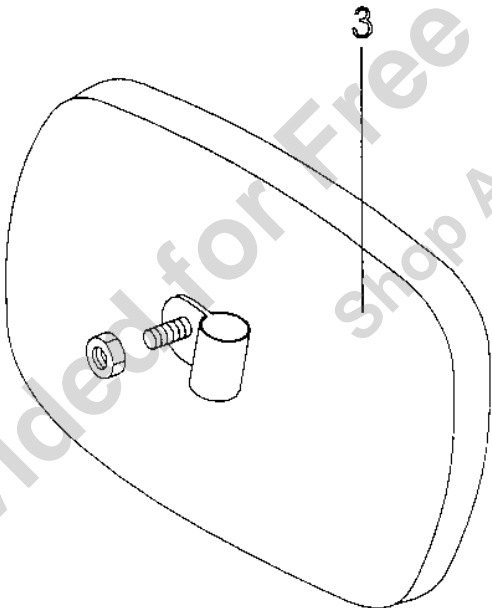
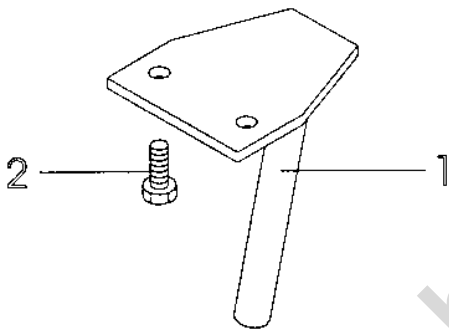
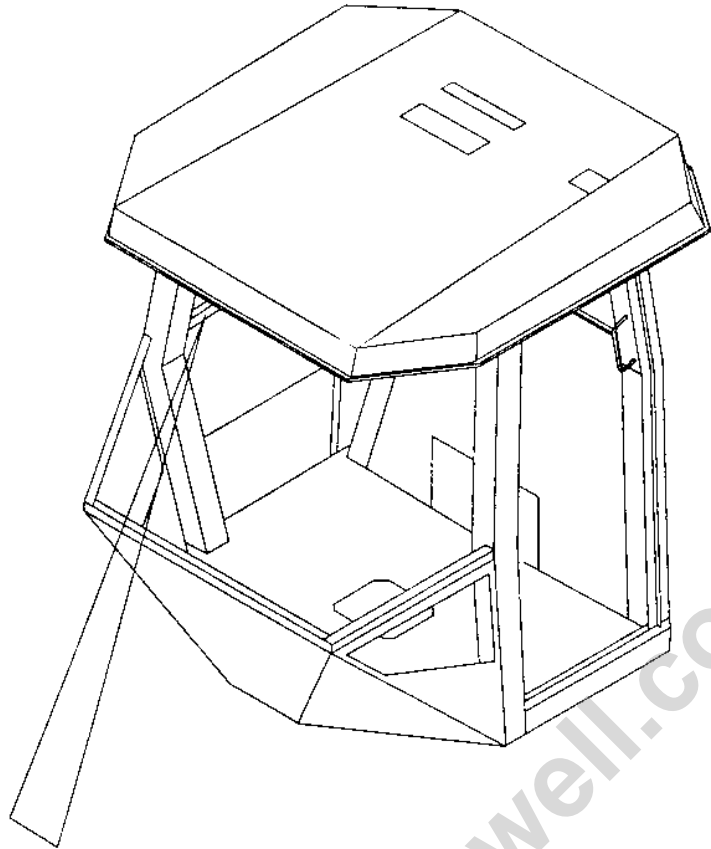
Cab Door, left side

Item	Part No	Rem	Qty	Description	Code
	4700940678		1	Door, cpl	
1	4700390927		1	.Door frame	
2	4700935277		1	.Lock pin	
3	4700938017		1	.Lock	
4	4700908580		1	.Lock pin	
5	4700908581		1	.Washer	
6	4700908582		1	.Cover	
7	4700908583		1	.Bracket	
8	4700935248		1	.Turning mechanism	
9	4700935249		1	.Retainer	
10	4700935250		1	.Rod	
11	4700935247		1	.Leader	
12	4700935246		1	.Seal	
13	4700935244		1	.Door handle with key	
14	4700935245		1	.Seal	
15	4700935268		1	.List	
16	4700937391		1	.Screen	
17	4700908545	A	1	.Seal list	
18	4700935267		1	.List	
19	4700908545	A	1	.Seal list	
20	4700937392		1	.Screen	
21	4700935270		1	.List	
22	4700935272		8	.Washer, Black	
23	4700935271		8	.Washer, Flexible rubber	
24	4700935273		2	.Hinge	
25	4700935274		2	.Screw	
26	4700935269		1	.List	
27	4700935266		1	.List	
28	4700937390		1	.Screen	
29	4700935265		1	.List	
30	4700908545	B	1	.Seal list	
31	4700935276		1	.Bracket	
32	4700935275		1	.Rubber washer	
33	4700937393		1	.Screen	
34	4700908499	C	1	.Rubber list	
35	4700935253		1	.Lock	
36	4700938101		XL	.Brush profile	
38	4700938018		1	.Gas spring	

- A) L=1400 mm
- B) L=1100 mm
- C) L=2700 mm

Cab Interior rear mirror

16008



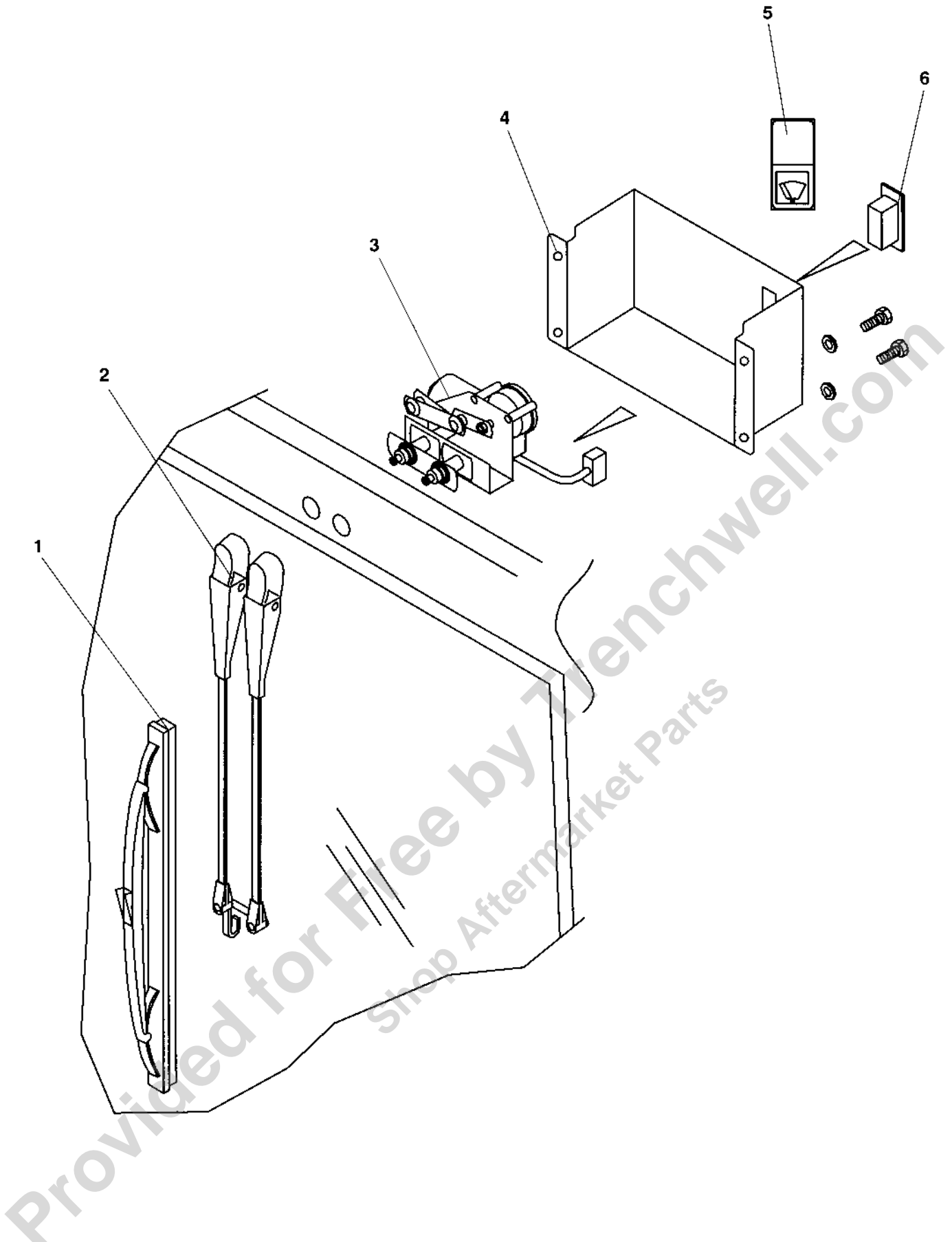
Cab Interior rear mirror

Item	Part No	Rem Qty	Description	Code
1	4700908623	1	Bracket	
2	4700535005	2	Screw	M5x12
3	4700908624	1	Rear mirror	

Provided for Free by Trenchwell.com
Shop Aftermarket Parts

Wiper arm with blade, front

16968



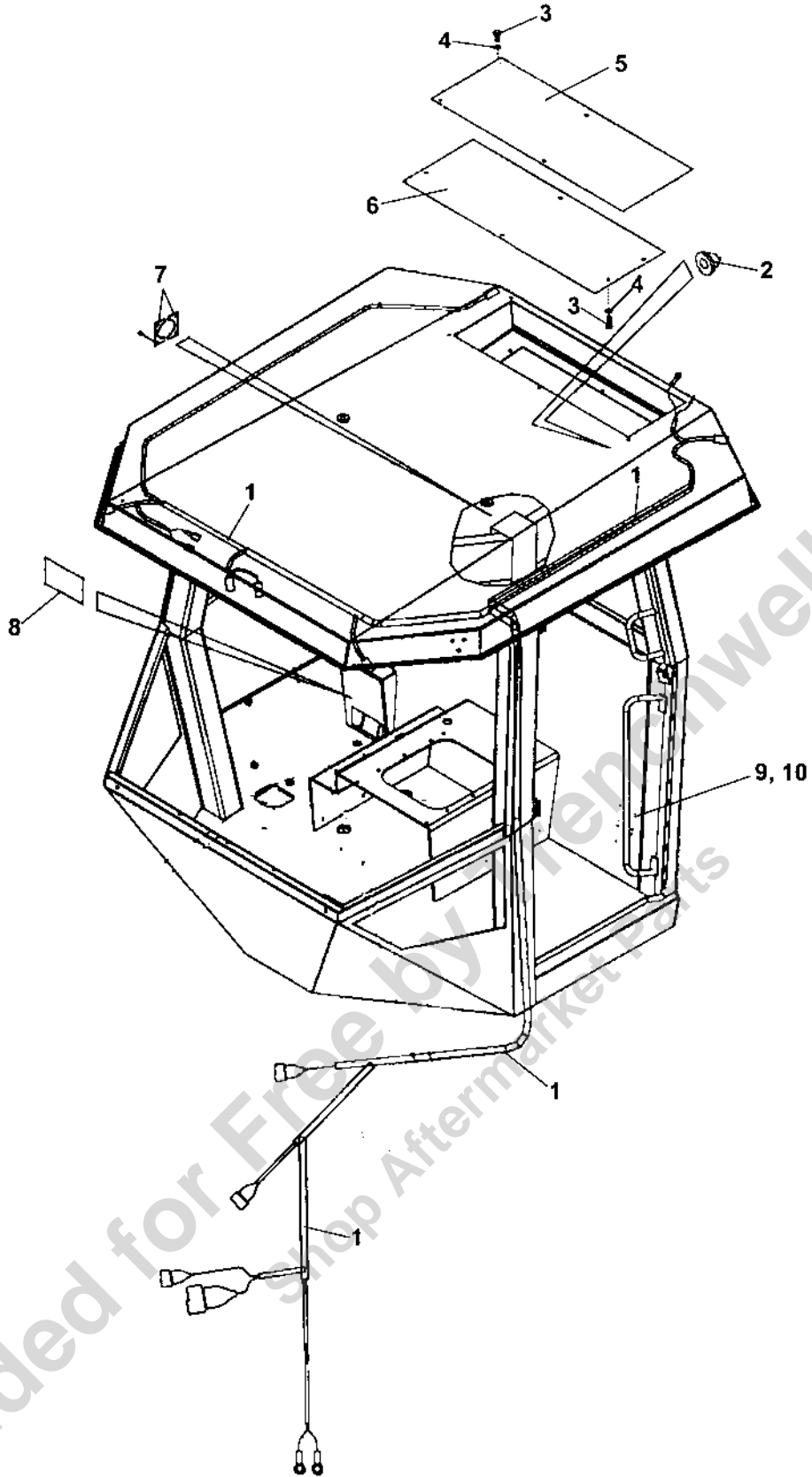
Wiper arm with blade, front

Item	Part No	Rem Qty	Description	Code
1	4700905306	1	Wiper blade	
2	4700905305	1	Wiper arm	
3	4700905304	1	Wiper motor	
4	4700937871	1	Cover	
5	4700908605	1	Symbol, wiper	
6	4700908617	1	Switch	

Provided for Free by Trenchwell.com
Shop Aftermarket Parts

Cab Electric

18780



Cab Electric

Item	Part No	Rem Qty	Description	Code
1	4700937870	1	Cable harness	
2	4700791378	2	Grommet	
3	4700500019	12	Screw	M8x16H 8.8 A2K
4	4700904229	12	Washer	8,4x16x1,5
5	4700938678	1	Cover	
6	4700938679	1	Cover	
7	4700935580	2	Bracket	
8	4700391219	1	Gasket	
9		1	Sign, rops	
10		1	Sign, fops	

Provided for Free by Trenchwell.com
Shop Aftermarket Parts

Provided for Free by Trenchwell.com
Shop Aftermarket Parts

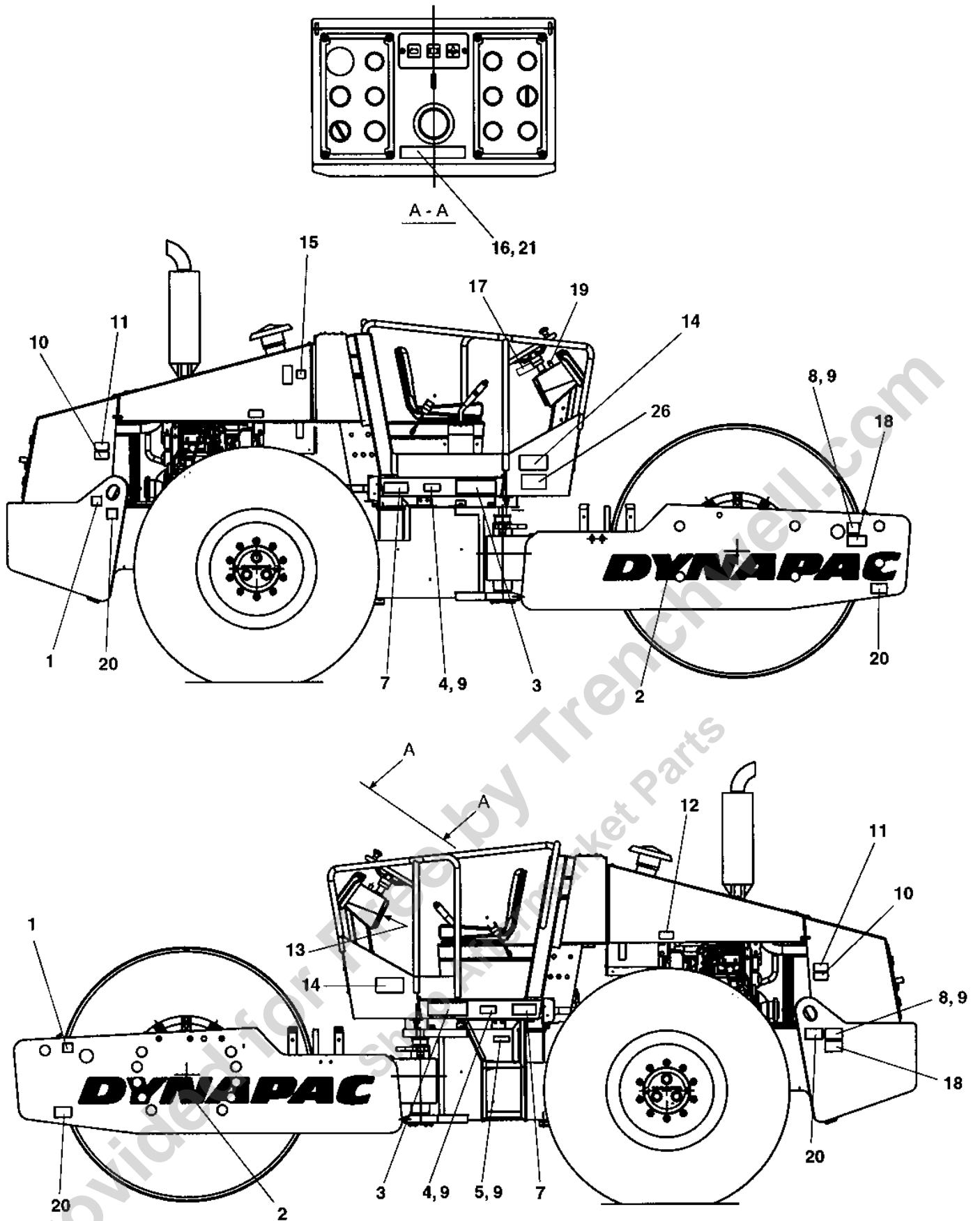
Decals

Item	Part No	Rem Qty	Description	Code
10			Decals (Page 166)	
20			Decals (Page 168)	

Provided for Free by Trenchwell.com
Shop Aftermarket Parts

Decals

16956-1

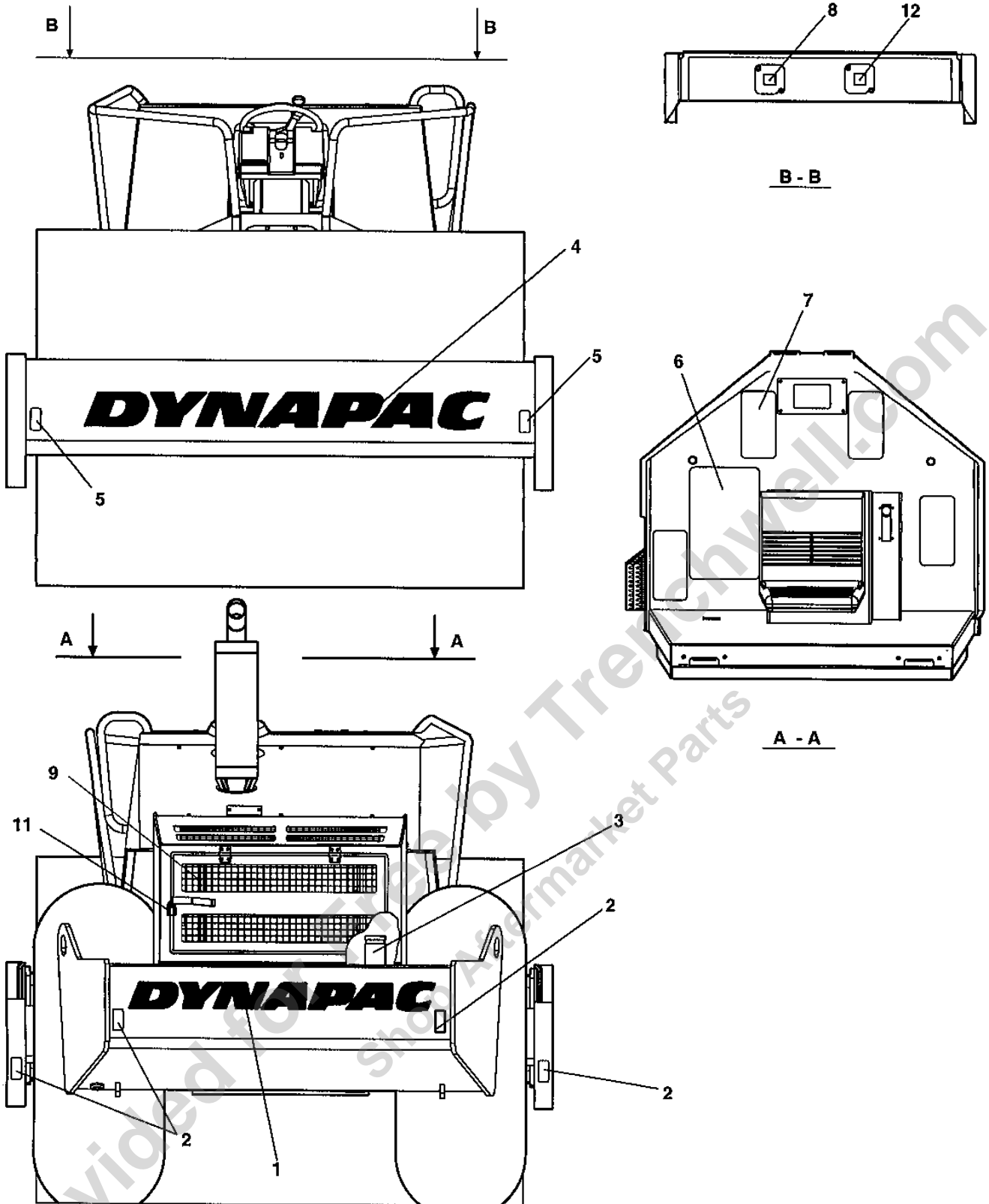


Decals

Item	Part No	Rem Qty	Description	Code
1	4700588176	2	Decal "LIFT POINT"	
2	4700904098	2	Decal "DYNAPAC"	L=1350 mm
3	4700791161	2	Decal "MODEL CODE"	
4	4700377744	2	Reflector, yellow	B
5		1	Product identification plate	B
		A,C	Product identification plate CE	B
		B,C	Product identification plate	B
7	4700903459	2	Decal "SAFETY"	
8	4700904870	2	Lifting sign	
9	4700624005	12	Blind rivet	3,2x6,1
10	4700903424	2	Decal "HOT SURFACE"	
11	4700903423	2	Decal "SAFETY"	
12	4700385080	2	Decal "TYRE PRESSURE"	150-170kPa/21-24psi
13	4700903425	1	Decal "SAFETY MANUAL"	
14	4700903422	2	Decal "SAFETY"	
15	4700272373	1	Decal "HYDRAULIC OIL"	
16	47386084SE	1	Warning plate	Swedish
	47386084EN	1	Warning plate	English
	47386084DE	1	Warning plate	German
	47386084IT	1	Warning plate	Italian
	47386084ES	1	Warning plate	Spanish
	47386084FR	1	Warning plate	French
	47386084NO	1	Warning plate	Norwegian
	47386084DK	1	Warning plate	Danish
	47386084FI	1	Warning plate	Finnish
	47386084PT	1	Warning plate	Portuguese
	47386084NL	1	Warning plate	Dutch
	47386084GR	1	Warning plate	Greek
	47386084IS	1	Warning plate	Icelandic
	47386084CN	1	Warning plate	Chinese
	47386084BR	1	Warning plate	Brazil
17	4700384159	1	Instructions	Loading-Unloading
18	4700908229	2	Safety decal	
19	4700358881	1	Pad lock	
20	4700382751	4	Decal "TIE DOWN POINT"	
21	4700624017	4	Blind rivet	
22	4700791277	1	Decal "Sound power level"	107dB
	4700791276	1	Decal "Sound power level"	106dB
25	4700791642	1	Decal "WARNING"	Use of starting fluid prohib.

- A) With CE-Mark
- B) With "Year of Mfg"
- C) Not available as sparepart

Decals
16957-2



Decals

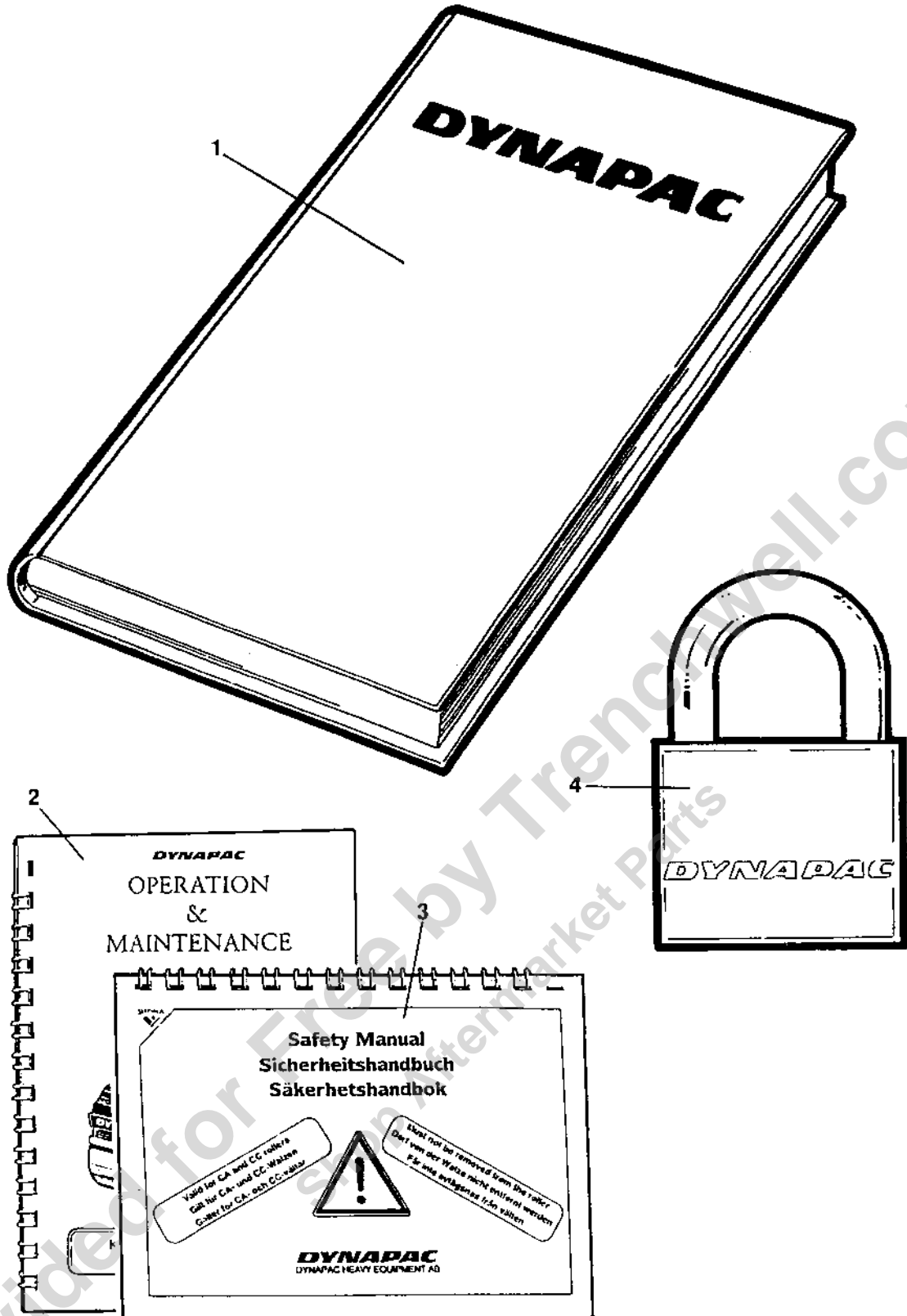
Item	Part No	Rem Qty	Description	Code
1	4700904093	1	Decal "DYNAPAC" L=1010 mm	
2	4700377742	4	Reflector, red	B
3	4700991658	1	Decal "FUEL"	
4	4700904098	1	Decal "DYNAPAC" L=1350 mm	
5	4700377743	2	Reflector, white	B
6	4700373364	1	Slip protection	
7	4700373363	4	Slip protection	
8	4700272372	1	Decal "HYDRAULIC OIL"	
9	4700904835	1	Decal "BATTERY POWER"	
11	4700358881	1	Pad lock	
12	4700388449	1	Decal "Engine coolant fill"	

Provided for Free by Trenchwell.com
Shop Aftermarket Parts

Provided for Free by Trenchwell.com
Shop Aftermarket Parts

Item	Part No	Rem Qty	Description	Code
10			Standard equipment (Page 172)	

Provided for Free by Trenchwell.com
Shop Aftermarket Parts



Item	Part No	Rem Qty	Description	Code
1		1	Documentation	ISCA150D
		1	.Warranty registration card	
		1	.Spare parts catalogue	SCA150D
		1	.Instruction manual	Cummins QSB 3.3
2		1	.Operation / maintenance instruction	ICA150
3		1	.Safety manual	RSAFE
4	4700358881	1	Pad lock	

Provided for Free by Trenchwell.com
Shop Aftermarket Parts

Provided for Free by Trenchwell.com
Shop Aftermarket Parts

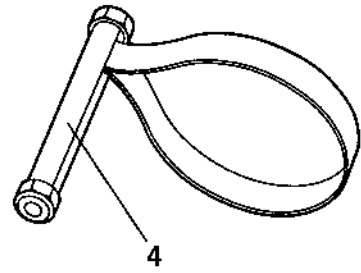
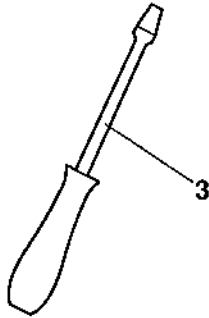
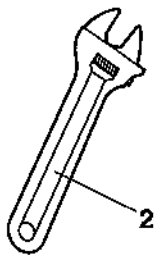
Optional equipment

Item	Part No	Rem Qty	Description	Code
10			Tool equipment (Page 176)	
20			Pad shell (Page 178)	
30			Scraper (Page 180)	
110			Dy-Mic (Page 182)	
120			Heater, Simple cab (Page 184)	

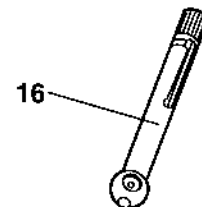
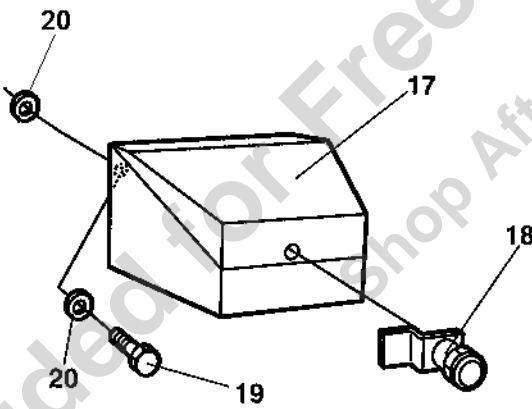
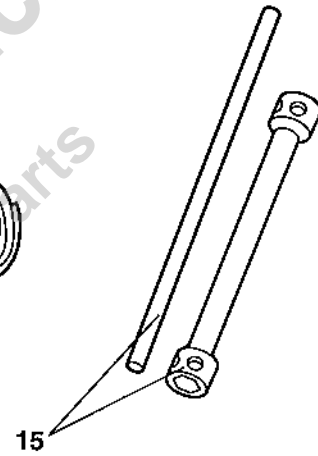
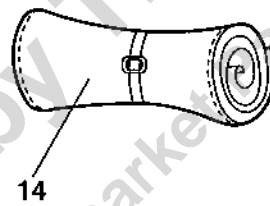
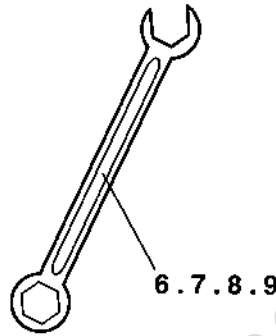
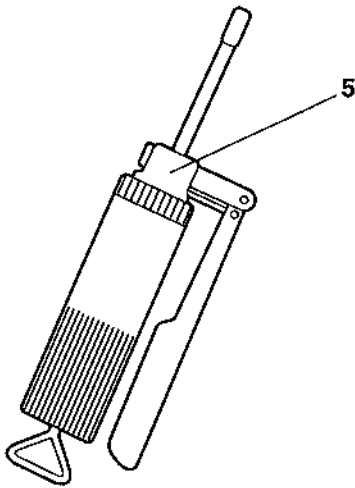
Provided for Free by Trenchwell.com
Shop Aftermarket Parts

Tool equipment

17111-1



1



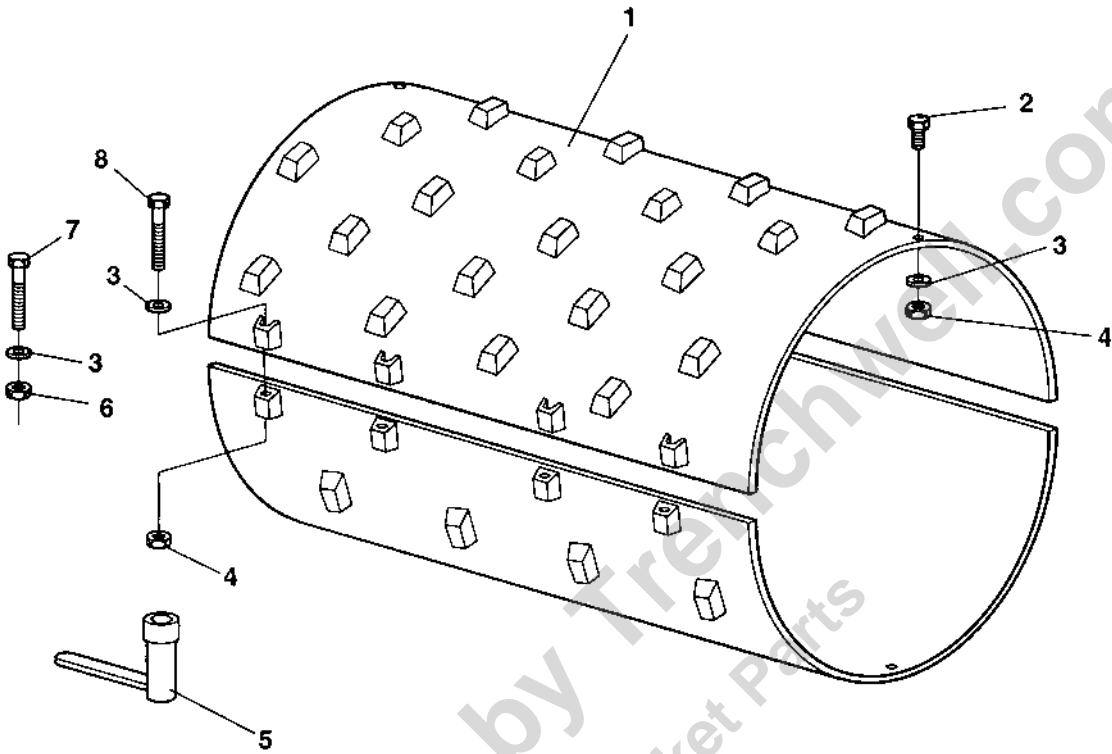
Tool equipment

Item	Part No	Rem Qty	Description	Code
1	4700355890	1	Tool set Cpl	
2		1	.Adjustable wrench	
3		1	.Screw driver	
4	4700902610	1	.Belt pliers	
5	4700311016	1	.Grease gun	
6		1	.Open end spanner	10mm
7		1	.Open end spanner	13mm
8		1	.Open end spanner	16mm
9		1	.Open end spanner	18mm
10		1	.Allen wrench	10mm
11		1	.Allen wrench	12mm
12		1	.Allen wrench	6mm
13		1	.Allen wrench	8mm
14		1	.Tool bag	
15		1	.Wheel nut key	30/32mm
16	4700901220	1	.Pressure gauge	
17	4700372837	1	Tool box	
18	4700372658	1	.Lock	
19	4700500021	3	Screw	M8-1,25x25 8.8
20	4700904640	6	Washer	8,4x22x3

Provided for Free by Trenchwell.com
Shop Aftermarket Parts

Pad shell

17506



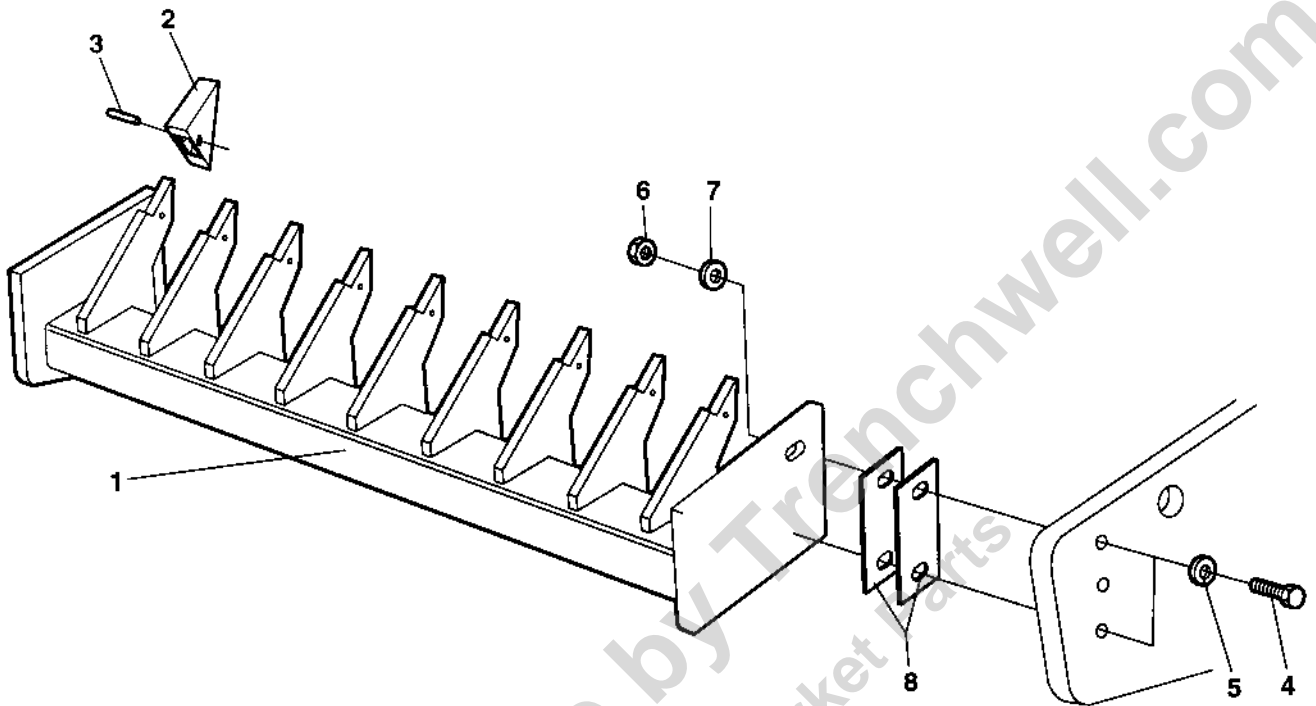
Pad shell

Item	Part No	Rem Qty	Description	Code
1	4700385346	2	Pad shell	
2	4700500134	4	Screw	
3	4700904232	16	Washer	
4	4700586021	12	Nut	M16
5	4700385504	1	Hexagon sleeve	
6	4700570008	4	Nut	M16 -8
7	4700385505	4	Mounting screw	
8	4700500094	8	Screw	

Provided for Free by Trenchwell.com
Shop Aftermarket Parts

Scraper

17235-1



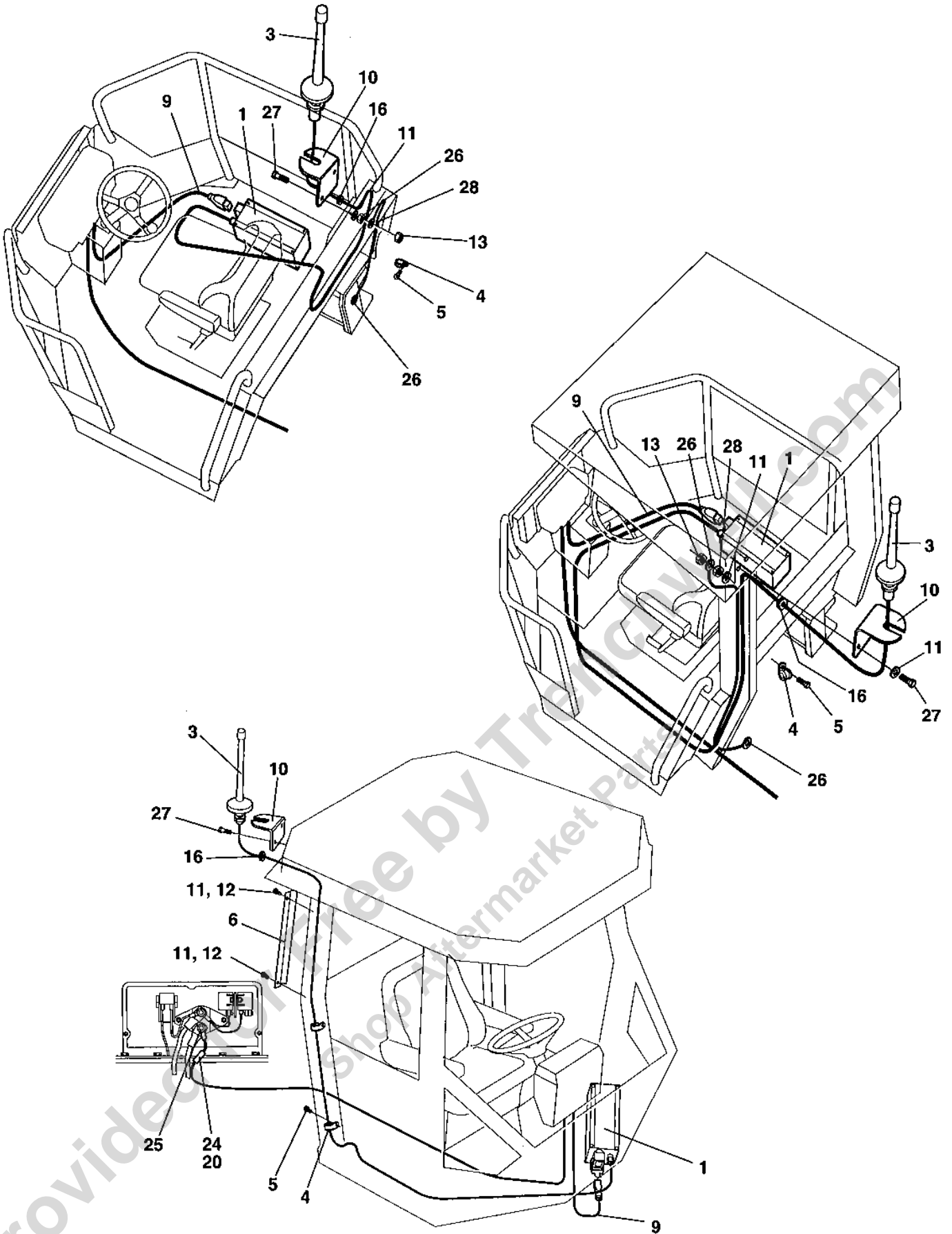
Provided for Free by Trenchwell.com
Shop Aftermarket Parts

Scraper

Item	Part No	Rem Qty	Description	Code
1	4700815680	1	Scraper	
2	4700385441	20	Tooth	
3	4700801631	20	Flexible pin	B
4	4700500210	4	Screw	56,5x40
5	4700904233	4	Washer	M20-2,5x100 8.8
6	4700586022	4	Lock nut	21x36x3
7	4700903290	4	Washer	M20-8
8	4700815681	4	Shim	21x36x6
				T=3 mm

Provided for Free by Trenchwell.com
Shop Aftermarket Parts

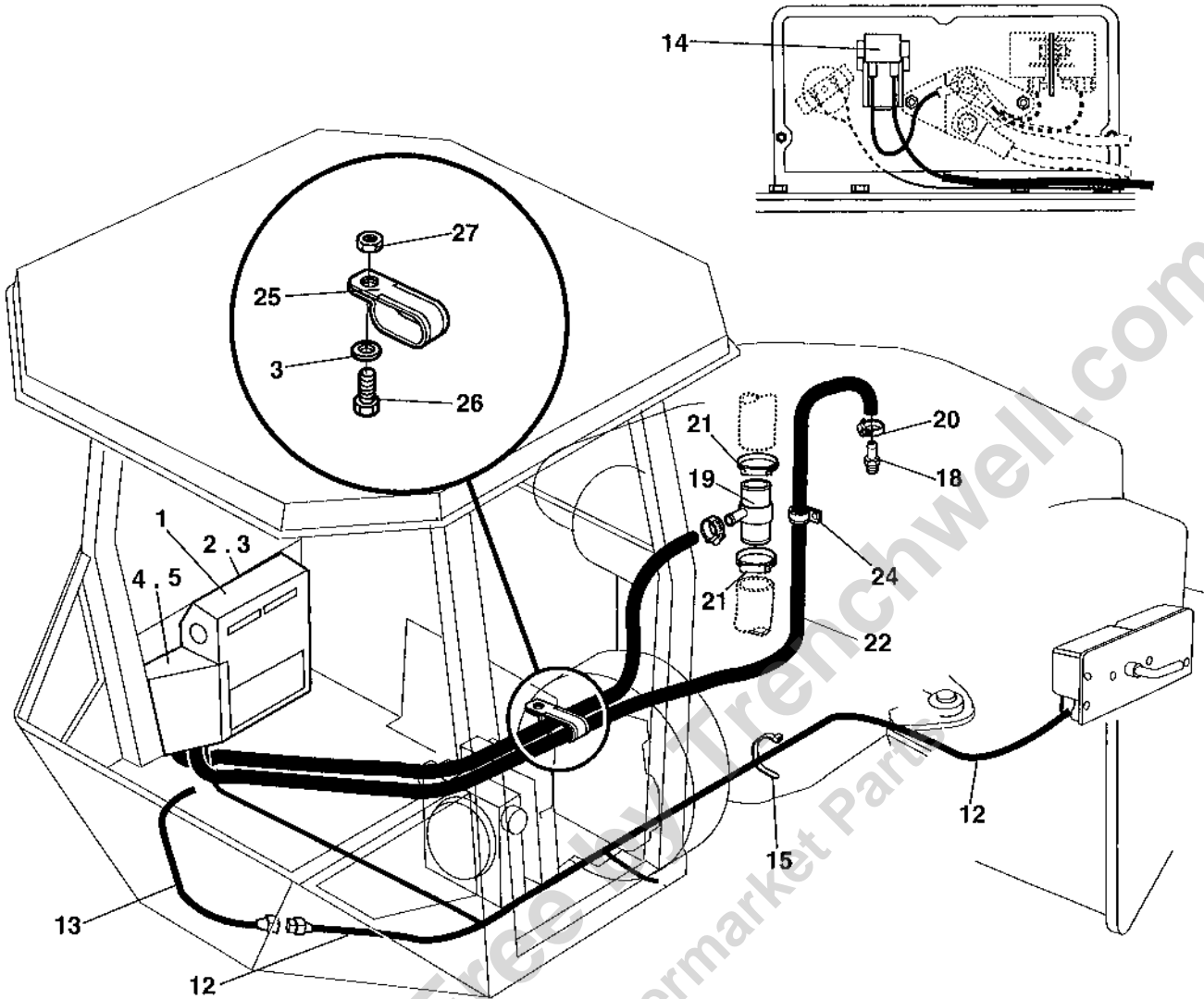
Dy-Mic
17823-1



Dy-Mic

Item	Part No	Rem Qty	Description	Code
1	4700386390	1	Communicator box	
	4700508002	4	Screw	
3	4700386391	1	Antenna	Cpl
4	4700921039	4	Pipe clamp	
5	4700904415	4	Screw	
6	4700386512	1	Cable holder	
9	4700386392	1	Cable harness	
10	4700386506	1	Antenna holder	
11	4700904228	2	Washer	6,4x12x1,5
12	4700500040	2	Screw	M6-1x20 8,8
13	4700586002	4	Lock nut	M6 -8
16	4700909122	1	Grommet	
17	4700313102	N	Cable ties	
18	4700313041	N	Cable ties	
20	4700901224	1	Fuse	3A
24	4700904015	1	Fuse holder	D
25	4700960067	1	Cable clip	
26	4700387797	1	Ground cable	
27	4700541702	2	Screw	M6x12
28	4700570004	1	Nut	M6X1,00 -8 A2K

Provided for Free by Trenchwell.com
Shop Aftermarket Parts



Heater, Simple cab

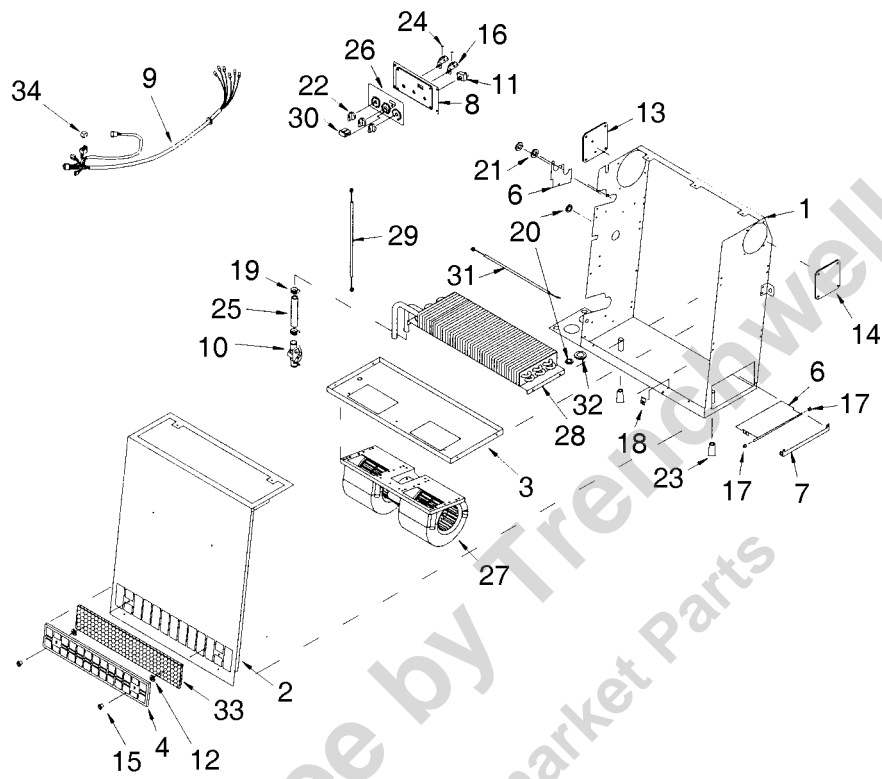
Item	Part No	Rem Qty	Description	Code
1	4700379394	1	Heater box (Page 186)	
2	4700500019	4	Screw	M8x16H 8.8 A2K
3	4700904229	5	Washer	8,4x16x1,5
12	4700387466	1	Cable harness	
13	4700387467	1	Cable harness	
14	4700904039	1	Fuse	50A Red High
15	4700313102	N	Cable ties	D
18	4700386693	1	Adapter	
19	4700379609	1	T-connector	
20	4700313004	4	Hose clamp	
21	4700313010	2	Hose clamp	
22	4700937737	A 2XL	Hose	
24	4700921132	1	Clamp	
25	4700283711	1	Hose clamp	
26	4700500021	1	Screw	M8-1,25x25 8.8
27	4700904556	1	Washer	8,4x16x3,0

A) L=3600 mm

Provided for Free by Trenchwell.com
Shop Aftermarket Parts

4700379394 Heater box

18432



Provided for Free by Trenchwell.com
Shop Aftermarket Parts

4700379394 Heater box

Item	Part No	Rem	Qty	Description	Code
10	4700939693		1	.Heater control valve	
11	4700938622		1	.Switch	
16	4700938621		2	.Rotary control	
19	4700313003		2	.Hose clamp	D
24	4700385134		2	.Lock washer	
25	4700384881	A	1	.Hose	
27	4700938638		1	.Fan	
28	4700938639		1	.Heater coil	
29	4700938645		1	.Bowden cable	
31	4700384762		1	.Wire	
33	4700384761		1	.Air filter element	
34	4700287597		1	.Relay	D

A) L=200 mm

Provided for Free by Trenchwell.com
Shop Aftermarket Parts

Provided for Free by Trenchwell.com
Shop Aftermarket Parts

NUMERICAL INDEX

Part Number	Page	Part Number	Page	Part Number	Page
4700100040	19,37	4700334122	75,87	4700370231	43
4700114036	21,43	4700334138	77	4700370365	43
4700116041	23,43	4700334140	77	4700370792	147
4700160105	21,23,43	4700334196	115	4700370803	147
4700160157	87,103	4700334199	93	4700371594	61
4700160279	87	4700334205	87,101	4700371774	49
4700160344	21,43	4700334389	101	4700372029	95
4700160362	21,43	4700334468	77	4700372044	95
4700162008	77	4700334524	101	4700372229	9,15,77
4700162017	43	4700335914	75,87	4700372457	149
4700162018	43	4700336742	25,43	4700372479	29
4700167023	21,43	4700337042	37	4700372489	147
4700167032	19,37	4700337045	19,37	4700372494	135,149
4700202028	39	4700338304	93	4700372513	93
4700202043	49	4700340863	91	4700372514	93
4700205027	49	4700343159	37	4700372634	43
4700212346	81	4700343318	43	4700372639	43
4700212353	79	4700343322	43	4700372640	43
4700230515	47	4700343462	43	4700372641	43
4700232039	95	4700343550	123	4700372658	177
4700232041	31	4700343561	43	4700372678	147
4700232097	93	4700343732	75,87	4700372745	147
4700233304	95	4700343744	43	4700372757	135
4700234243	77	4700343775	29	4700372784	131
4700234382	87	4700343801	43	4700372785	135,149
4700234388	115	4700343872	75	4700372836	131
4700234622	115	4700343907	43	4700372837	177
4700234626	93	4700345243	77	4700372964	143
4700234662	93	4700345871	19,37	4700373016	131
4700234843	101	4700345872	19,37	4700373096	131
4700234875	77	4700345873	19,37	4700373134	87
4700234888	101	4700345874	19,37	4700373140	131
4700234909	77	4700345875	19,37	4700373184	125
4700234919	55	4700347119	29	4700373270	75,87
4700234958	77	4700347512	135	4700373363	169
4700238158	121,123	4700348213	131	4700373364	169
4700244054	55	4700348309	53	4700373395	75
4700246069	49	4700349211	75,87	4700373396	87
4700272372	169	4700349435	131	4700373400	135
4700272373	167	4700349715	43	4700373421	37
4700283711	185	4700349879	95	4700373423	75
4700287597	187	4700349880	95	4700373460	29,55
4700310008	19	4700355869	143	4700373507	87
4700311016	177	4700355890	177	4700373574	55
4700313001	55	4700356348	115	4700373624	57
4700313002	55	4700357138	15,95	4700373625	57
4700313003	187	4700357488	29	4700373746	145
4700313004	185	4700357643	135	4700373747	145
4700313006	49	4700357855	137	4700373748	145
4700313008	49	4700358025	33,35	4700373749	145
4700313010	49,185	4700358026	33,35	4700373750	145
4700313041	55,119,131,183	4700358031	35	4700373758	31
4700313075	49	4700358388	81,85	4700373774	87
4700313093	57	4700358452	127	4700373906	145
4700313094	57	4700358881	167,169,173	4700373907	145
4700313102	77,87,115,131 183,185	4700359403	47	4700373943	147
4700330170	55	4700359550	77	4700374028	115
4700330171	55	4700359551	77	4700374029	125
4700330331	47	4700359552	77	4700374030	125
4700330333	47,113	4700370100	33	4700374059	77
4700330383	47	4700370101	33	4700374362	33
		4700370229	47	4700374398	127

NUMERICAL INDEX

Part Number	Page	Part Number	Page	Part Number	Page
4700374606	149	4700380798	129	4700387226	137
4700374607	149	4700380829	77,79,81,83,103	4700387227	137
4700374836	43	4700380963	145	4700387427	119
4700374869	29	4700380964	145	4700387466	185
4700374900	37	4700380993	19,37	4700387467	185
4700374907	43	4700381297	39	4700387545	137
4700376255	135,149	4700381330	39,147	4700387683	121,123
4700376340	39	4700381347	39	4700387720	137
4700376349	39	4700381348	39	4700387797	183
4700376354	39	4700381351	131	4700388210	131
4700376366	39	4700381352	147	4700388449	169
4700376488	147	4700381353	147	4700389577	127
4700376489	147	4700381989	39	4700389600	53
4700377009	141	4700382397	149	4700389662	119
4700377010	141	4700382406	39	4700390927	157
4700377011	141	4700382411	39	4700391219	163
4700377012	141	4700382582	135,149	4700391379	141
4700377014	141	4700382751	167	4700391380	141
4700377015	141	4700383225	147	4700391381	141
4700377016	141	4700383326	131	4700391382	141
4700377018	141	4700383452	131	4700391383	141
4700377019	139	4700383705	135	4700391386	141
4700377020	139	4700383855	73,103,105	4700391784	137
4700377021	139	4700383973	103	4700391962	57
4700377024	139	4700384159	167	4700392002	93,97
4700377071	129	4700384163	125	4700392100	97
4700377518	149	4700384443	29	4700392103	97
4700377556	135,149	4700384498	19,37	4700392105	97
4700377677	147	4700384598	73,77,85	4700392170	49
4700377742	169	4700384721	47	4700392313	49
4700377743	169	4700384751	87,89	4700392394	135
4700377744	167	4700384759	149	4700392507	121
4700378335	137	4700384761	187	4700392771	125
4700378745	119	4700384762	187	4700392772	125
4700378759	141	4700384776	39	4700392786	39
4700379236	155	4700384784	77	4700392810	53
4700379394	185,187	4700384789	59,61,63	4700392856	125
4700379480	47	4700384790	75	4700392875	135
4700379482	77	4700384814	49	4700392937	119
4700379531	61	4700384821	49	4700392996	121,123
4700379532	61	4700384881	187	4700393085	53
4700379545	61	4700384888	139	4700393097	53
4700379546	61	4700385080	167	4700393116	47
4700379547	61	4700385134	187	4700393855	49
4700379548	61	4700385306	49	4700394061	121,123
4700379549	61	4700385346	179	4700394346	47
4700379550	61	4700385441	181	4700394457	39
4700379608	153	4700385504	179	4700394497	49
4700379609	185	4700385505	179	4700394500	39
4700379630	93	4700385599	121,123	4700394561	119
4700379636	135	4700385720	43	4700394604	29
4700379637	147	4700385957	93,99	4700394610	47
4700380012	39	4700386272	23	4700394611	47
4700380077	91	4700386286	43	4700394612	47
4700380109	39	4700386390	183	4700394614	53
4700380123	135	4700386391	183	4700394615	53
4700380144	87,91	4700386392	183	4700394616	53
4700380366	139	4700386506	183	4700394618	57
4700380577	103	4700386512	183	4700394620	49
4700380700	103	4700386693	185	4700394621	49
4700380727	135	4700386966	53	4700394633	49
4700380755	39	4700387129	47	4700394680	53

NUMERICAL INDEX

Part Number	Page	Part Number	Page	Part Number	Page
4700394686	13,15,53	4700500029	135,137,149	4700570008	179
4700394687	15,53	4700500030	47,75,87,119,143	4700570015	31,43
4700394713	119	4700500031	39,57	4700586001	39,119,139
4700394793	57	4700500033	75,87	4700586002	39,49,119,121
4700394794	57	4700500037	35,37		123,129,145,183
4700394863	49	4700500040	39,49,53,125,129	4700586003	53,119,127,135
4700394878	39		183		139,145
4700394883	57	4700500043	29	4700586018	125
4700394903	93	4700500046	33,43,77	4700586019	33,35,47,141
4700394918	53	4700500047	39	4700586021	179
4700394921	53	4700500048	31,53,143	4700586022	43,181
4700395022	53	4700500049	33	4700588176	167
4700395108	57	4700500051	93	4700600016	97
4700395957	47	4700500053	39,49,53,57,115	4700624005	167
4700396968	123		119,121,123,125	4700624016	147
4700416034	139		129,131,135,155	4700624017	167
4700450066	39	4700500056	33,77	4700635061	29,97
4700450067	39	4700500060	119	4700747282	55
4700482010	77	4700500075	119,121,123	4700791110	139
4700482182	77	4700500076	43,47	4700791119	95
4700482342	115	4700500077	75	4700791120	95
4700482391	77	4700500079	131	4700791141	119
4700482399	101	4700500091	87	4700791161	167
4700482516	101	4700500094	179	4700791183	119
4700482543	101	4700500100	47,147	4700791185	121,123
4700482727	87	4700500109	77	4700791211	121,123
4700482766	87	4700500133	39,43	4700791212	77
4700482889	93	4700500134	179	4700791213	103
4700482898	93	4700500153	145	4700791218	149
4700483131	87	4700500165	47	4700791226	135
4700483133	75	4700500192	95	4700791231	75
4700483188	115	4700500194	43,47,87,131	4700791276	167
4700483350	87	4700500195	135,149	4700791277	167
4700483445	115	4700500208	43	4700791341	125
4700483498	93	4700500209	31,43	4700791378	163
4700483505	93	4700500210	135,181	4700791475	39
4700483526	77	4700500226	147	4700791476	137
4700483528	93	4700500239	147	4700791503	119
4700483547	115	4700500263	103	4700791517	121
4700483551	103	4700500287	37	4700791525	119
4700483553	75	4700500295	61	4700791578	121,123
4700483554	75	4700500505	39,137	4700791582	121,123
4700483610	77	4700502019	87	4700791583	121,123
4700483673	77	4700502059	87	4700791584	121,123
4700484131	87	4700502132	77,103	4700791585	121,123
4700499266	53	4700508002	183	4700791587	121,123
4700500004	119	4700508019	43	4700791588	121,123
4700500006	55	4700508029	47	4700791642	167
4700500007	137	4700508068	141	4700791647	121
4700500012	49,125	4700508079	47	4700791657	121,123
4700500013	49,119,127,135	4700508092	139	4700791723	123
4700500018	37,49,115	4700513012	39	4700791733	123
4700500019	49,87,93,95,155	4700513017	137	4700791739	123
	163,185	4700527002	43	4700792083	121,123
4700500021	49,53,77,127,139	4700535005	159	4700792261	61
	145,177,185	4700541526	131	4700792315	121,123
4700500022	39,145,147	4700541702	125,127,183	4700792317	121,123
4700500023	39	4700570004	119,121,123,141	4700792318	121,123
4700500025	47,119		183	4700792319	121,123
4700500027	77	4700570005	119,149	4700792413	121,123
4700500028	43,49,75,77,87	4700570006	95	4700792414	121,123
4700500029	29,47,55,93,119	4700570007	43	4700792432	121,123

NUMERICAL INDEX

Part Number	Page	Part Number	Page	Part Number	Page
4700792435	121,123	4700902227	125	4700904229	131,135,139,145
4700792461	121,123	4700902284	119		149,155,163,185
4700792462	121,123	4700902285	39,49,131	4700904230	29,43,49,53,55
4700792463	121,123	4700902287	57		57,77,87,119,125
4700792544	49	4700902288	131		135,137,143,149
4700792549	39	4700902379	39	4700904231	33,35,37,39,43
4700792677	119	4700902496	131		87,93,131,135
4700792682	119	4700902610	177		149
4700801244	93	4700902624	89	4700904232	43,47,179
4700801631	181	4700902642	89	4700904233	31,43,61,135,147
4700813391	29	4700902655	91		149,181
4700813434	119	4700902688	89	4700904241	93
4700813444	93	4700902724	89	4700904281	39,55,119,137
4700813499	77	4700902792	89	4700904282	77
4700813500	75,87,93	4700902928	79,85	4700904292	47
4700813791	53	4700903052	81	4700904314	125
4700813822	79,85	4700903192	131,135	4700904340	145
4700813828	81	4700903290	31,135,149,181	4700904342	35
4700815056	43	4700903422	167	4700904346	49
4700815680	181	4700903423	167	4700904352	49,77
4700815681	181	4700903424	167	4700904415	183
4700900229	77	4700903425	167	4700904433	135,149
4700900430	87	4700903436	125	4700904486	49
4700900552	101	4700903459	167	4700904504	39
4700900775	43	4700903570	85	4700904543	125
4700900806	77	4700903571	85	4700904551	49
4700900957	69,111	4700903575	85	4700904556	49,53,57,119,139
4700901145	61,135,149	4700903631	119		185
4700901157	87	4700903632	119	4700904557	29,119
4700901190	131	4700903640	119	4700904563	141
4700901220	177	4700903641	119	4700904567	39,95
4700901224	129,183	4700903714	49	4700904619	147
4700901225	121,123	4700903727	135	4700904637	47,55,75,87,93
4700901227	121,123	4700903768	119		119
4700901228	121,123	4700903782	121,123,155	4700904638	47,77,103
4700901369	125	4700903925	87	4700904639	49
4700901385	91	4700903945	141	4700904640	39,47,57,125,147
4700901386	91	4700903946	141		177
4700901387	91	4700903947	141	4700904653	137
4700901389	91	4700903956	121,123	4700904663	19
4700901390	91	4700903985	61	4700904695	55
4700901453	79,85	4700904004	75	4700904703	47,87
4700901454	79	4700904005	77,93,103	4700904734	147
4700901455	85	4700904015	183	4700904767	87
4700901465	85	4700904032	119	4700904773	87
4700901467	85	4700904036	119	4700904774	87
4700901475	81	4700904037	119	4700904781	87
4700901482	81	4700904038	119,125	4700904793	103
4700901718	79	4700904039	185	4700904835	169
4700901721	79	4700904060	53	4700904870	167
4700901722	79	4700904076	49,51	4700904910	129
4700901725	81	4700904093	169	4700904985	55
4700901727	81	4700904098	167,169	4700905304	161
4700901728	81	4700904180	147	4700905305	161
4700901767	121,123	4700904206	131	4700905306	161
4700901833	63	4700904213	33,35,77	4700907163	81
4700901834	105	4700904228	39,49,53,119,125	4700908136	49,115
4700901987	71,113		127,129,135,139	4700908217	81
4700902123	143		145,183	4700908229	167
4700902125	115	4700904229	37,47,49,77,87	4700908378	79
4700902166	39,49,57,135,137		93,95,115,119	4700908383	89
4700902203	135		121,123,127,129	4700908399	53

NUMERICAL INDEX

Part Number	Page	Part Number	Page	Part Number	Page
4700908432	79,81,85	4700910161	93	4700935276	153,157
4700908439	81	4700910995	37	4700935277	153,157
4700908448	81	4700921031	49	4700935278	153
4700908499	153,155,157	4700921039	125,127,183	4700935279	153
4700908506	155	4700921050	49	4700935280	153
4700908507	155	4700921080	119	4700935281	153
4700908545	153,157	4700921084	49	4700935282	153
4700908580	157	4700921104	119	4700935283	153
4700908581	157	4700921132	185	4700935284	153
4700908582	157	4700922552	43	4700935285	153
4700908583	157	4700923008	55	4700935286	153
4700908605	161	4700923087	79,81	4700935287	153
4700908617	161	4700923371	77	4700935288	153
4700908623	159	4700923384	77,103	4700935289	153
4700908624	159	4700924791	145	4700935290	153
4700908773	81,85	4700924875	39	4700935291	153
4700909122	183	4700925802	125	4700935293	153
4700909239	79	4700926116	67,109	4700935295	153
4700909252	85	4700926214	19,37	4700935296	153
4700909253	85	4700926537	139	4700935297	153
4700909257	81	4700926658	81	4700935298	153
4700909349	79,81	4700926736	43	4700935299	153
4700909373	79	4700926781	71,113	4700935300	153
4700909375	79,81	4700926985	49	4700935301	153
4700909376	79	4700927233	141	4700935302	153
4700909377	79	4700927350	91	4700935303	155
4700909378	79	4700927358	89	4700935429	99
4700909379	79	4700927974	135,149	4700935533	85
4700909384	79	4700928830	143	4700935580	163
4700909385	79	4700929023	119	4700935613	143
4700909386	79	4700929123	93	4700935614	143
4700909387	79	4700929226	75,87	4700935617	85
4700909388	79	4700929447	21,23,43	4700935618	85
4700909389	79	4700929648	63,105	4700935623	85
4700909390	79	4700929712	63	4700935624	85
4700909395	79	4700929863	19	4700935625	85
4700909396	79	4700930151	131	4700935626	85
4700909398	79	4700935158	89	4700935627	85
4700909399	79,81	4700935159	89	4700935629	85
4700909402	79	4700935187	89	4700935630	85
4700909403	79	4700935190	89	4700935632	85
4700909405	79	4700935192	89	4700935633	85
4700909406	79	4700935219	89	4700935634	85
4700909409	79	4700935244	157	4700935741	85
4700909410	81	4700935245	157	4700935857	81
4700909411	81	4700935246	157	4700936020	71,113
4700909428	81	4700935247	157	4700936023	67,109
4700909429	81	4700935248	157	4700936052	109
4700909432	81	4700935249	157	4700936053	67,109
4700909436	81	4700935250	157	4700936054	67,109
4700909514	89	4700935253	157	4700936055	67,109
4700909544	65,107	4700935265	157	4700936056	67,109
4700909547	69,111	4700935266	157	4700936097	69,111
4700909582	105	4700935267	157	4700936307	89
4700909583	105	4700935268	157	4700936308	89
4700909584	105	4700935269	157	4700936393	89
4700909596	65,71,107,113	4700935270	157	4700936394	89
4700909607	65,71,107	4700935271	153,157	4700936421	89
4700909616	69,111	4700935272	153,157	4700936552	79
4700909630	63	4700935273	153,157	4700936553	79
4700909631	63	4700935274	153,157	4700936567	81
4700909632	63	4700935275	153,157	4700936568	81

NUMERICAL INDEX

Part Number	Page	Part Number	Page	Part Number	Page
4700936579	81	4700938291	153	4700939030	69,111
4700936686	89	4700938292	153	4700939031	69,111
4700936727	75	4700938558	17,19	4700939032	69,111
4700936728	75	4700938621	187	4700939033	69,111
4700936803	89	4700938622	187	4700939034	69,111
4700937136	79	4700938638	187	4700939035	69,111
4700937138	79	4700938639	187	4700939036	69,111
4700937139	79	4700938645	187	4700939037	69,111
4700937140	79	4700938659	153	4700939038	69,111
4700937141	81	4700938678	163	4700939039	69,111
4700937142	81	4700938679	163	4700939068	9,11,13,15,47
4700937143	81	4700938755	81	4700939070	15
4700937145	81	4700938876	17,25	4700939076	5,7,11
4700937149	81	4700938891	17,23	4700939168	89
4700937153	81	4700938898	17,21	4700939236	85
4700937159	81	4700938980	65,107	4700939237	85
4700937211	89	4700938981	65,107	4700939238	85
4700937215	89	4700938982	65,107	4700939239	85
4700937218	89	4700938983	65,107	4700939240	85
4700937219	89	4700938984	65,107	4700939241	85
4700937232	89	4700938985	65,107,113	4700939242	85
4700937233	89	4700938986	65,107	4700939270	113
4700937236	89	4700938987	65,107	4700939384	113
4700937237	89	4700938988	67,109	4700939385	113
4700937256	91	4700938989	67,109	4700939386	113
4700937257	91	4700938990	67,109	4700939387	113
4700937258	91	4700938991	67,109	4700939693	187
4700937259	91	4700938992	67,109	4700940374	141
4700937260	91	4700938994	67,109	4700940451	121,123
4700937261	91	4700938995	67,109	4700940505	89
4700937264	91	4700938996	67,109	4700940506	89
4700937265	91	4700938997	67,109	4700940674	89
4700937280	85	4700938998	67,109	4700940678	157
4700937380	153	4700938999	67,109	4700945407	141
4700937381	153	4700939002	71,113	4700945729	141
4700937382	153	4700939003	71,113	4700945776	89
4700937383	153	4700939004	71,113	4700945777	55
4700937384	153	4700939005	71	4700945906	83
4700937385	153	4700939006	71,113	4700945951	81
4700937389	153	4700939007	71,113	4700950301	9,13,15,55
4700937390	157	4700939008	71,113	4700950302	9,13,15,47
4700937391	157	4700939009	71,113	4700950303	47
4700937392	157	4700939010	71,113	4700950304	47
4700937393	157	4700939011	71,113	4700950315	47
4700937673	91	4700939012	71,113	4700950334	49
4700937737	185	4700939013	71,113	4700950335	49
4700937830	79	4700939014	71,113	4700950336	49
4700937857	81	4700939015	71,113	4700950337	49
4700937870	163	4700939016	71,113	4700950400	5,7,9
4700937871	161	4700939017	71,113	4700950401	5,7,13
4700937993	91	4700939018	71,113	4700950403	5,7,15
4700937995	91	4700939019	71,113	4700950565	81
4700938017	157	4700939020	71,113	4700960067	183
4700938018	157	4700939021	69,111	4700960727	119
4700938040	91	4700939022	69,111	4700989151	95
4700938041	91	4700939023	69,111	4700991658	169
4700938042	91	4700939024	69,111	4700999011	127
4700938101	157	4700939025	69,111	4700999027	121,123
4700938251	81	4700939026	69,111	47386084BR	167
4700938252	81	4700939027	69,111	47386084CN	167
4700938253	81	4700939028	69,111	47386084DE	167
4700938290	153	4700939029	69,111	47386084DK	167

NUMERICAL INDEX

Part Number	Page	Part Number	Page	Part Number	Page
47386084EN	167				
47386084ES	167				
47386084FI	167				
47386084FR	167				
47386084GR	167				
47386084IS	167				
47386084IT	167				
47386084NL	167				
47386084NO	167				
47386084PT	167				
47386084SE	167				
4812110216	125				
4812155075	135				

Provided for Free by Trenchwell.com
Shop Aftermarket Parts