



Operation and Maintenance Manual

320D Excavator

A6F 1-Up (320D)
BZP 1-Up (320D)
FAL 1-Up (320D)
JPD 1-Up (320D)
KHN 1-Up (320D)
KLM 1-Up (320D)
MCH 1-Up (320D)
KTF 1-Up (320D GC)
PCM 1-Up (320D GC)
A8F 1-Up (320D L)
A9F 1-Up (320D L)
GDP 1-Up (320D L)
KGF 1-Up (320D L)
PHX 1-Up (320D L)
SPN 1-Up (320D L)
TDH 1-Up (320D L)
PCX 1-Up (320D LN)
WBN 1-Up (320D LN)

Language: Original instructions



Scan to find and purchase genuine Cat® parts and related service information.



Important Safety Information

Most accidents that involve product operation, maintenance and repair are caused by failure to observe basic safety rules or precautions. An accident can often be avoided by recognizing potentially hazardous situations before an accident occurs. A person must be alert to potential hazards, including human factors that can affect safety. This person should also have the necessary training, skills and tools to perform these functions properly.

Improper operation, lubrication, maintenance or repair of this product can be dangerous and could result in injury or death.

Do not operate or perform any lubrication, maintenance or repair on this product, until you verify that you are authorized to perform this work, and have read and understood the operation, lubrication, maintenance and repair information.

Safety precautions and warnings are provided in this manual and on the product. If these hazard warnings are not heeded, bodily injury or death could occur to you or to other persons.

The hazards are identified by the "Safety Alert Symbol" and followed by a "Signal Word" such as "DANGER", "WARNING" or "CAUTION". The Safety Alert "WARNING" label is shown below.



The meaning of this safety alert symbol is as follows:

Attention! Become Alert! Your Safety is Involved.

The message that appears under the warning explains the hazard and can be either written or pictorially presented.

A non-exhaustive list of operations that may cause product damage are identified by "NOTICE" labels on the product and in this publication.

Caterpillar cannot anticipate every possible circumstance that might involve a potential hazard. The warnings in this publication and on the product are, therefore, not all inclusive. You must not use this product in any manner different from that considered by this manual without first satisfying yourself that you have considered all safety rules and precautions applicable to the operation of the product in the location of use, including site-specific rules and precautions applicable to the worksite. If a tool, procedure, work method or operating technique that is not specifically recommended by Caterpillar is used, you must satisfy yourself that it is safe for you and for others. You should also ensure that you are authorized to perform this work, and that the product will not be damaged or become unsafe by the operation, lubrication, maintenance or repair procedures that you intend to use.

The information, specifications, and illustrations in this publication are on the basis of information that was available at the time that the publication was written. The specifications, torques, pressures, measurements, adjustments, illustrations, and other items can change at any time. These changes can affect the service that is given to the product. Obtain the complete and most current information before you start any job. Cat dealers have the most current information available.



When replacement parts are required for this product Caterpillar recommends using Cat replacement parts.

Failure to follow this warning may lead to premature failures, product damage, personal injury or death.

In the United States, the maintenance, replacement, or repair of the emission control devices and systems may be performed by any repair establishment or individual of the owner's choosing.

Table of Contents

Foreword	4	Guards (Operator Protection)	38
Safety Section		Product Information Section	
Safety Messages	6	General Information	40
Additional Messages	15	Identification Information	82
General Hazard Information	22	Operation Section	
Crushing Prevention and Cutting Prevention ..	24	Before Operation	85
Burn Prevention	25	Machine Operation	88
Fire Prevention and Explosion Prevention	26	Engine Starting	156
Fire Safety	28	Operation	160
Fire Extinguisher Location	29	Operating Techniques	164
Track Information	29	Parking	187
Electrical Storm Injury Prevention	29	Transportation Information	191
Before Starting Engine	30	Towing Information	197
Engine Starting	30	Engine Starting (Alternate Methods)	200
Before Operation	30	Maintenance Section	
Work Tools	30	Maintenance Access	203
Visibility Information	31	Lubricant Viscosities and Refill Capacities ...	204
Operation	31	Maintenance Support	211
Engine Stopping	33	Maintenance Interval Schedule	215
Lifting Objects	33	Warranty Section	
Parking	33	Warranty Information	285
Slope Operation	34	Reference Information Section	
Equipment Lowering with Engine Stopped	35	Reference Materials	286
Sound Information and Vibration Information .	35	Index Section	
Operator Station	38	Index	288

Foreword

California Proposition 65 Warning

Diesel engine exhaust and some of its constituents are known to the State of California to cause cancer, birth defects, and other reproductive harm.



WARNING – This product can expose you to chemicals including ethylene glycol, which is known to the State of California to cause birth defects or other reproductive harm. For more information go to:

www.P65Warnings.ca.gov

Do not ingest this chemical. Wash hands after handling to avoid incidental ingestion.



WARNING – This product can expose you to chemicals including lead and lead compounds, which are known to the State of California to cause cancer, birth defects, or other reproductive harm. For more information go to:

www.P65Warnings.ca.gov

Wash hands after handling components that may contain lead.

Literature Information

This manual should be stored in the operator's compartment in the literature holder or seat back literature storage area.

This manual contains safety information, operation instructions, transportation information, lubrication information, and maintenance information.

Some photographs or illustrations in this publication show details or attachments that can be different from your machine. Guards and covers might have been removed for illustrative purposes.

Continuing improvement and advancement of product design might have caused changes to your machine which are not included in this publication. Read, study, and keep this manual with the machine.

Whenever a question arises regarding your machine, or this publication, please consult your Cat dealer for the latest available information.

Safety

The safety section lists basic safety precautions. In addition, this section identifies the text and locations of warning signs and labels used on the machine.

Read and understand the basic precautions listed in the safety section before operating or performing lubrication, maintenance, and repair on this machine.

Operation

The operation section is a reference for the new operator and a refresher for the experienced operator. This section includes a discussion of gauges, switches, machine controls, attachment controls, transportation, and towing information.

Photographs and illustrations guide the operator through correct procedures of checking, starting, operating, and stopping the machine.

Operating techniques outlined in this publication are basic. Skill and techniques develop as the operator gains knowledge of the machine and its capabilities.

Maintenance

The maintenance section is a guide to equipment care. The Maintenance Interval Schedule (MIS) lists the items to be maintained at a specific service interval. Items without specific intervals are listed under the "When Required" service interval. The Maintenance Interval Schedule lists the page number for the step-by-step instructions required to accomplish the scheduled maintenance. Use the Maintenance Interval Schedule as an index or "one safe source" for all maintenance procedures.

Maintenance Intervals

Use the service hour meter to determine servicing intervals. Calendar intervals shown (daily, weekly, monthly, etc.) can be used instead of service hour meter intervals if the calendar intervals provide more convenient servicing schedules and approximate the indicated service hour meter reading. Perform the recommended service at the interval that occurs first.

Under severe, dusty, or wet operating conditions, more frequent lubrication than is specified in the maintenance intervals chart might be necessary.

Perform service on items at multiples of the original requirement. For example, at every 500 service hours or 3 months, also service those items listed under every 250 service hours or monthly and every 10 service hours or daily.

Certified Engine Maintenance

Proper maintenance and repair are essential to keep the engine and machine systems operating correctly. As the heavy-duty off-road diesel engine owner, you are responsible for the performance of the required maintenance listed in the Owner Manual, Operation and Maintenance Manual, and Service Manual.

It is prohibited for any person engaged in the business of repairing, servicing, selling, leasing, or trading engines or machines to remove, alter, or to render inoperative, any emission-related device or element of design installed on or in an engine or machine that is in compliance with all applicable regulations of the intended country to which it has been shipped. Certain elements of the machine and engine such as the exhaust system, fuel system, electrical system, intake air system, and cooling system may be emission-related and should not be altered unless approved by Caterpillar.

Machine Capacity

Additional attachments or modifications may exceed machine design capacity which can adversely affect performance characteristics. Included would be stability and system certifications such as brakes, steering, and rollover protective structures (ROPS). Contact your Cat dealer for further information.

Product Identification Number

Effective First Quarter 2001 the Product Identification Number (PIN) has changed from 8 to 17 characters. To provide uniform equipment identification, construction equipment manufacturers are moving to comply with the latest version of the product identification numbering standard. Non-road machine PINs are defined by ISO 10261. The new PIN format will apply to all machines and generator sets. The PIN plates and frame marking will display the 17 character PIN. The new format will look like the following:

***XXX 0789BG 6SL12345 ***

Illustration 1

g03891925

Where:

1. World Manufacturing Code (characters 1-3)

2. Machine Descriptor (characters 4-8)

3. Check Character (character 9)

4. Machine Indicator Section (MIS) or Product Sequence Number (characters 10-17). These were previously referred to as the Serial Number.

Machines and generator sets produced before First Quarter 2001 will maintain their 8 character PIN format.

Components such as engines, transmissions, axles, and work tools will continue to use an 8 character Serial Number (S/N).

Safety Section

i05831532

Safety Messages

SMCS Code: 7000; 7405

There are several specific safety messages on this machine. The exact location of the hazards and the description of the hazards are reviewed in this section. Please become familiarized with all safety messages.

Make sure that all of the safety messages are legible. Clean the safety messages or replace the safety messages if you cannot read the words. Replace the illustrations if the illustrations are not visible. When you clean the safety messages, use a cloth, water, and soap. Do not use solvent, gasoline, or other harsh chemicals to clean the safety messages. Solvents, gasoline, or harsh chemicals could loosen the adhesive that secures the safety message. Loose adhesive will allow the safety message to fall.

Replace any safety message that is damaged, or missing. If a safety message is attached to a part that is replaced, install a safety message on the replacement part. Any Caterpillar dealer can provide new safety messages.

Provided for Free by Trenchwell.com
Shop Aftermarket Parts

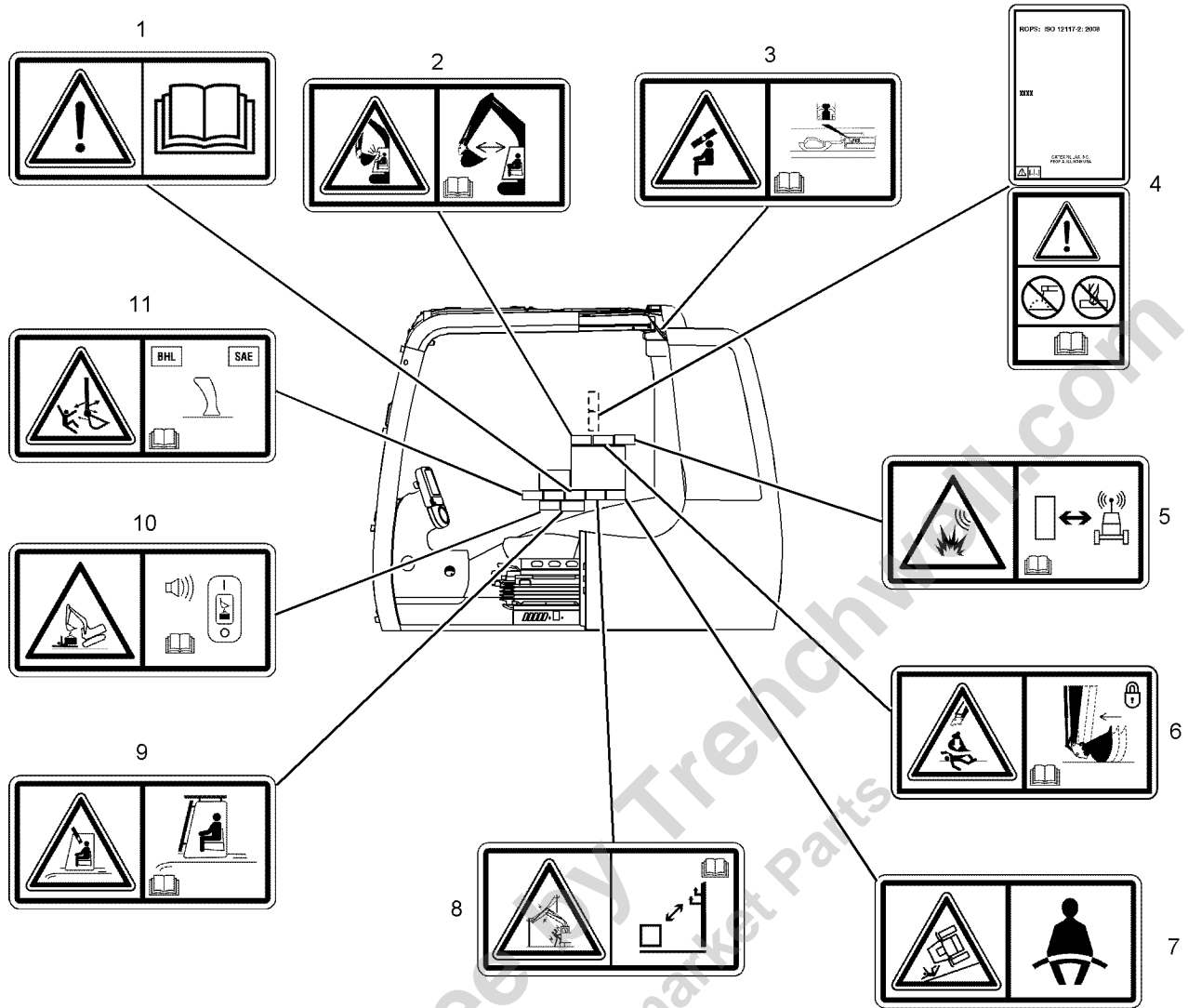


Illustration 2

g01970635

Provided for Free by TrenchParts.com
Shop Aftermarket Parts

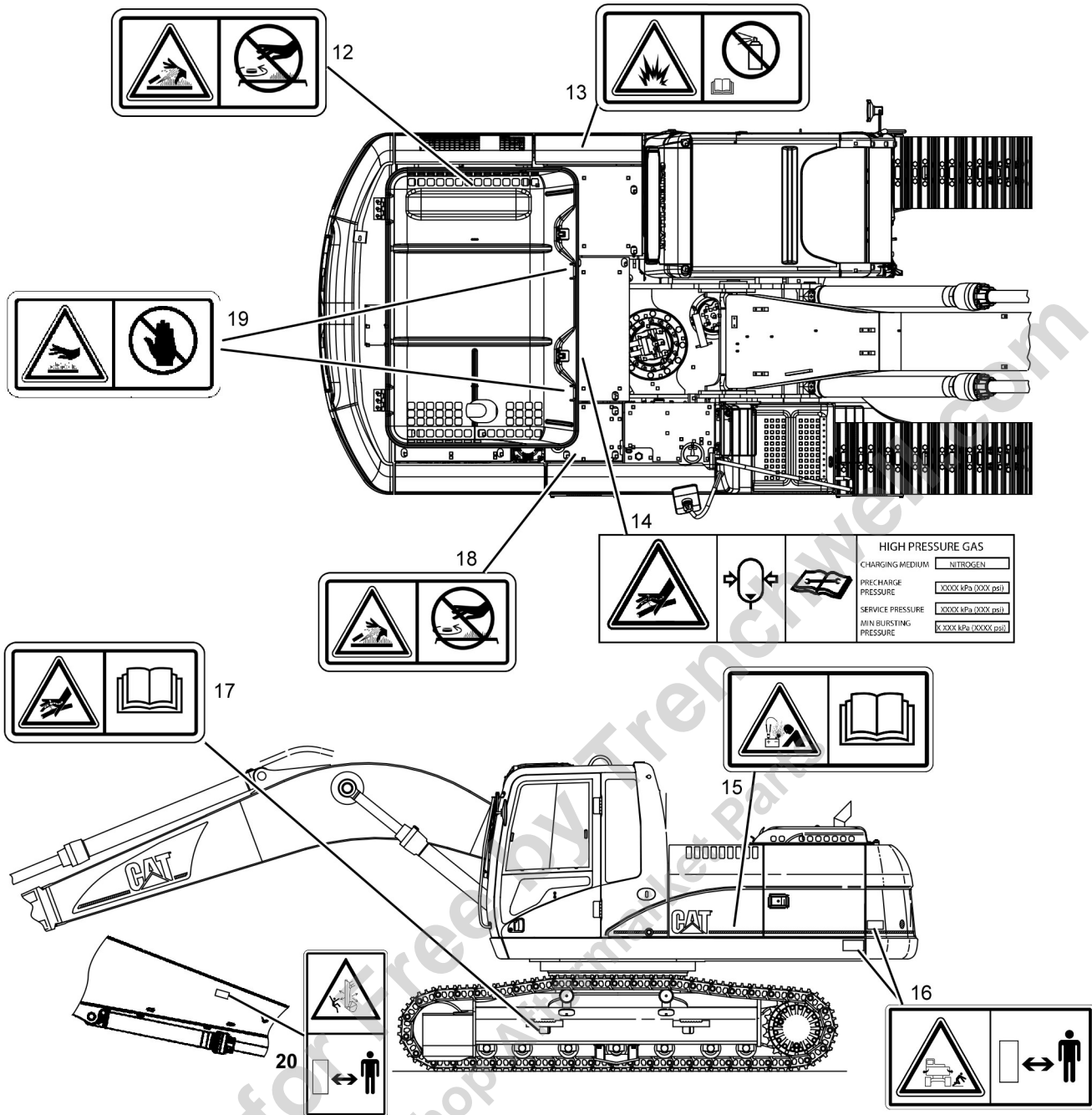


Illustration 3

g02152353

Do Not Operate (1)

This safety message is located in the cab.



Illustration 4

g01370904

! WARNING

Do not operate or work on this equipment unless you have read and understand the instructions and warnings in the Operation and Maintenance Manual. Failure to follow the instructions or heed the warnings could result in injury or death. Contact any Cat dealer for replacement manuals. Proper care is your responsibility.

Crushing Hazard (2)

This safety message is located in the cab on the right side window.

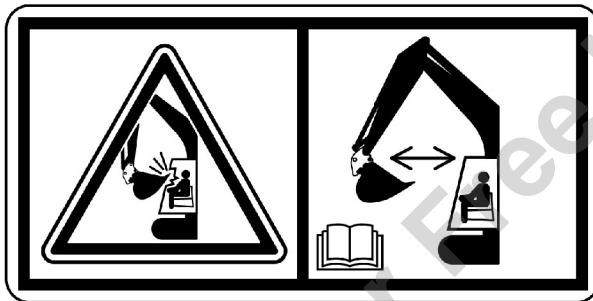


Illustration 5

g01373971

! WARNING

Crushing Hazard! Certain machine front linkage combinations (boom, stick, quick coupler, work tool) may require keeping the work tool away from the cab during operation. Personal injury or death may result if the work tool contacts the cab during operation.

Refer to Operation and Maintenance Manual, "Operating Technique Information" for further information.

Crushing Hazard (3)

This safety message is located in the cab.



Illustration 6

g01373978

! WARNING

Personal injury can result if the window is not latched in the overhead position; ensure the auto lock is engaged.

Do Not Weld or Drill on ROPS (4)



Illustration 7

g01970802

If equipped, this safety message is located on the left side pillar in the cab.

⚠ WARNING

Structural damage, an overturn, modification, alteration, or improper repair, can impair this structure's protective capability thereby voiding this certification. Do not weld on or drill holes in the structure. Consult a Caterpillar dealer to determine this structure's limitations without voiding its certification.

This machine has been certified to the standards that are listed on the certification plate. The maximum mass of the machine, which includes the operator and the attachments without a payload, should not exceed the mass on the certification plate.

Refer to Operation and Maintenance Manual, "Guards (Operator Protection)" for more information.

Product Link (5)

If equipped, this safety message is positioned in the cab on the left side door post.

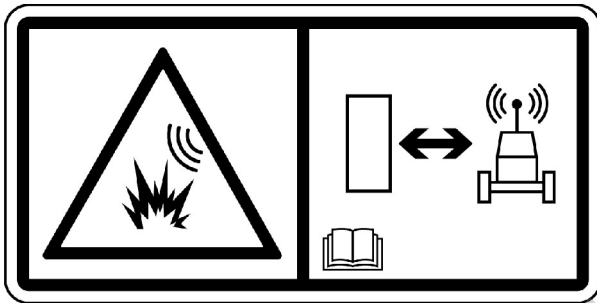


Illustration 8

g01370917

⚠ WARNING

This machine is equipped with a Caterpillar Product Link communication device. When electric detonators are used, this communication device should be deactivated within 12 m (40 ft) of a blast site for satellite-based systems and within 3 m (10 ft) of a blast site for cellular based systems, or within the distance mandated under applicable legal requirements. Failure to do so could cause interference with blasting operations and result in serious injury or death.

In cases where the type of Product Link module cannot be identified, Caterpillar recommends that the device be disabled no less than 12 m (40 ft) from the blast perimeter.

Refer to Operation and Maintenance Manual , "Product Link" for further information.

Crushing Injury (6)

If equipped, this safety message is located in the cab on the right side window.



Illustration 9

g01374035

⚠ WARNING

Crush injury. Could cause serious injury or death. Always confirm that the quick coupler is engaged onto the pins. Read the Operator's Manual.

Refer to Operation and Maintenance Manual, "Quick Coupler Operation" for further information.

Seat Belt (7)

This safety message is located in the cab.

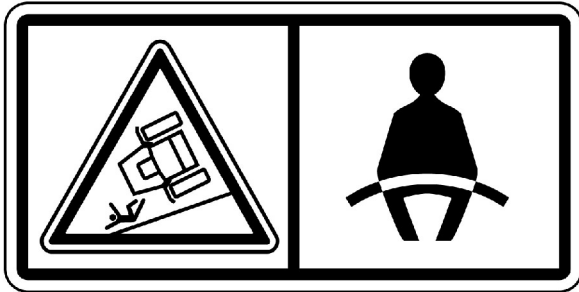


Illustration 10

g01370908

⚠ WARNING

A seat belt should be worn at all times during machine operation to prevent serious injury or death in the event of an accident or machine overturn. Failure to wear a seat belt during machine operation may result in serious injury or death.

Electrical Power Lines (8)

This safety message is located in the cab.

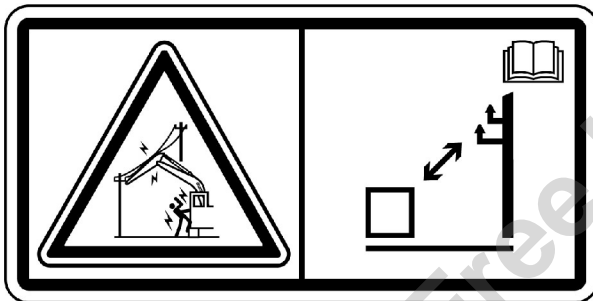


Illustration 11

g01374045

⚠ DANGER

Electrocution Hazard! Keep the machine and attachments a safe distance from electrical power. Stay clear 3 m (10 ft) plus twice the line insulator length. Read and understand the instructions and warnings in the Operation and Maintenance Manual. Failure to follow the instructions and warnings will cause serious injury or death

Crushing Hazard (9)

This safety message is located in the cab.

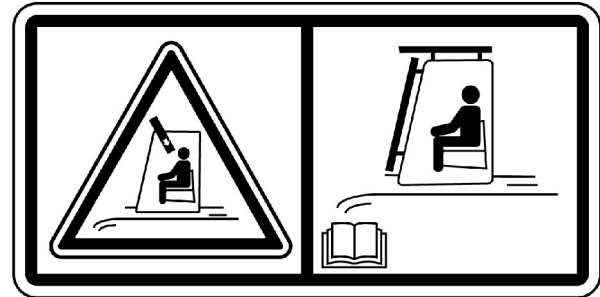


Illustration 12

g01374048

⚠ WARNING

The impact from objects that strike the front of the cab or the top of the cab could result in a crushing hazard with the potential for personal injury or death.

The front guard and the top guard should be installed on the cab for applications where the hazard of falling objects exist. Read the Operation and Maintenance Manual.

Refer to Operation and Maintenance Manual, "Guards" for further information.

Overload Warning Device (10)

If equipped, this safety message is located in the cab on the right side window.

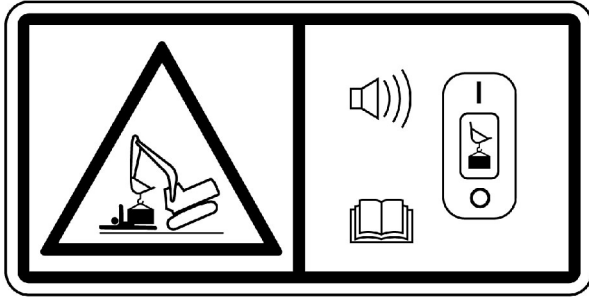


Illustration 13

g01602013

! WARNING

Overloading the machine could impact the machine's stability which could result in a tipover hazard. A tipover hazard could result in serious injury or death. Always activate the overload warning device before you handle or lift objects.

Refer to Operation and Maintenance Manual, "Operator Controls" for further information.

Joystick Controls Alternate Patterns (11)

If equipped, this safety message is located in the cab on the right side window.



Illustration 14

g01374050

! WARNING

Crush Hazard. Improper joystick setting could cause possible unexpected movement of the boom, stick, or worktool which could result in serious injury or death. Confirm that the joystick settings are properly configured before you operate the machine. Read the Operation and Maintenance Manual.

Refer to Operation and Maintenance Manual, "Joystick Controls Alternate Patterns" for further information.

Pressurized System (12)

This safety message is located on top of the radiator, next to the filler cap.



Illustration 15

g01371640

! WARNING

Pressurized system! Hot coolant can cause serious burns, injury or death. To open the cooling system filler cap, stop the engine and wait until the cooling system components are cool. Loosen the cooling system pressure cap slowly in order to relieve the pressure. Read and understand the Operation and Maintenance Manual before performing any cooling system maintenance.

Aerosol Starting Aid (13)

This safety message is located inside the left front compartment on the engine air filter.



Illustration 16

g01372254

WARNING

Explosion hazard! Do not use ether! This machine is equipped with an air inlet heater. Using ether can create explosions or fires that can cause personal injury or death. Read and follow the starting procedure in the Operation and Maintenance Manual.

Refer to Operation and Maintenance Manual, "Engine Starting" for further information.

High Pressure Gas (14)

This safety message is located on the accumulator in the right back compartment.

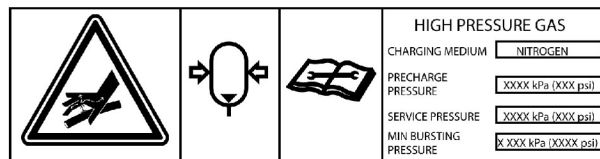


Illustration 17

g01374065

WARNING

Pressurized System!

Hydraulic accumulators contain gas and oil under high pressure. DO NOT disconnect lines or disassemble any component of a pressurized accumulator. All gas pre-charge must be removed from the accumulator as instructed by the service manual before servicing the accumulator or any accumulator component.

Failure to follow the instructions and warnings could result in personal injury or death.

Only use dry nitrogen gas to recharge accumulators. See your Cat dealer for special equipment and detailed information for accumulator service and charging.

Refer to Operation and Maintenance Manual, "Equipment Lowering with Engine Stopped" for further information.

Jump Start Cables (15)

This safety message is located inside the left front compartment.

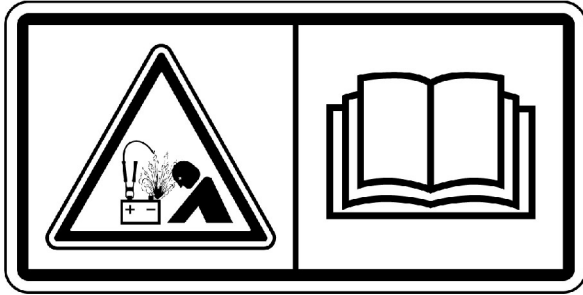


Illustration 18

g01370909

! WARNING

Explosion Hazard! Improper jumper cable connections can cause an explosion resulting in serious injury or death. Batteries may be located in separate compartments. Refer to the Operation and Maintenance Manual for the correct jump starting procedure.

Refer to Operation and Maintenance Manual, "Engine Starting with Jump Start Cables" for further information.

Crushing Hazard (16)

This safety message is located on both sides of the back end of the machine.

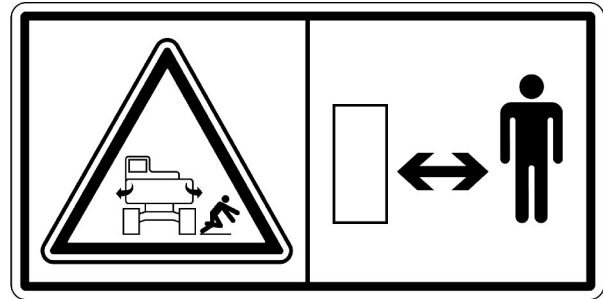


Illustration 19

g01374060

! WARNING

Machine swings. Stay back. Crushing hazard could cause serious injury or death.

High Pressure Cylinder (17)

This safety message is located on the track adjuster.

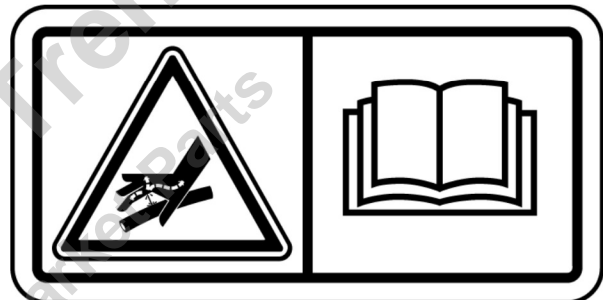


Illustration 20

g01371642

! WARNING

High Pressure Cylinder. Do not remove any parts from the cylinder until all of the pressure has been relieved. This will prevent possible personal injury or death.

Refer to Operation and Maintenance Manual, "Track Adjustment - Adjust" for the proper service procedure.

Relieve Hydraulic Tank Pressure (18)

This safety message is located on top of the hydraulic tank.



Illustration 21

g01371640

! WARNING

HYDRAULIC TANK

RELIEVE TANK PRESSURE WITH ENGINE OFF BY REMOVING CAP SLOWLY TO PREVENT BURNS FROM HOT OIL.

Hot Surface (19)

This safety message is located in two locations on the engine hood.



Illustration 22

g00921005

! WARNING

Hot parts or hot components can cause burns or personal injury. Do not allow hot parts or components to contact your skin. Use protective clothing or protective equipment to protect your skin.

Crushing Hazard (20)

This safety message is located on both sides of the stick.

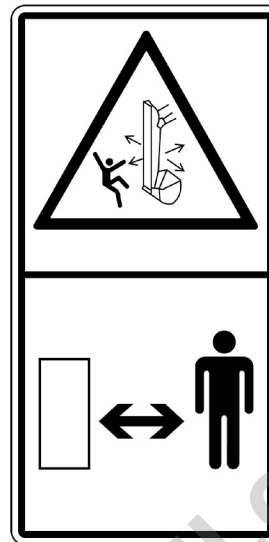


Illustration 23

g01385579

! WARNING

A crushing hazard exists when the stick and boom are in motion and when the machine is being used in object handling applications. Failure to stay clear of the stick and boom when the machine is in operation can result in personal injury or death. Stay clear of the stick and boom when the machine is in operation.

i03230487

Additional Messages

SMCS Code: 7000; 7405

There are several specific messages on this machine. The exact location of the messages and the description of the information are reviewed in this section. Please become familiar with all messages.

Make sure that all of the messages are legible. Clean the messages or replace the messages if you cannot read the words. Replace the illustrations if the illustrations are not legible. When you clean the messages, use a cloth, water, and soap. Do not use solvent, gasoline, or other harsh chemicals to clean the messages. Solvents, gasoline, or harsh chemicals could loosen the adhesive that secures the messages. Loose adhesive will allow the messages to fall.

Replace any message that is damaged, or missing. If a message is attached to a part that is replaced, install a message on the replacement part. Any Caterpillar dealer can provide new messages.

Safety Section
Additional Messages

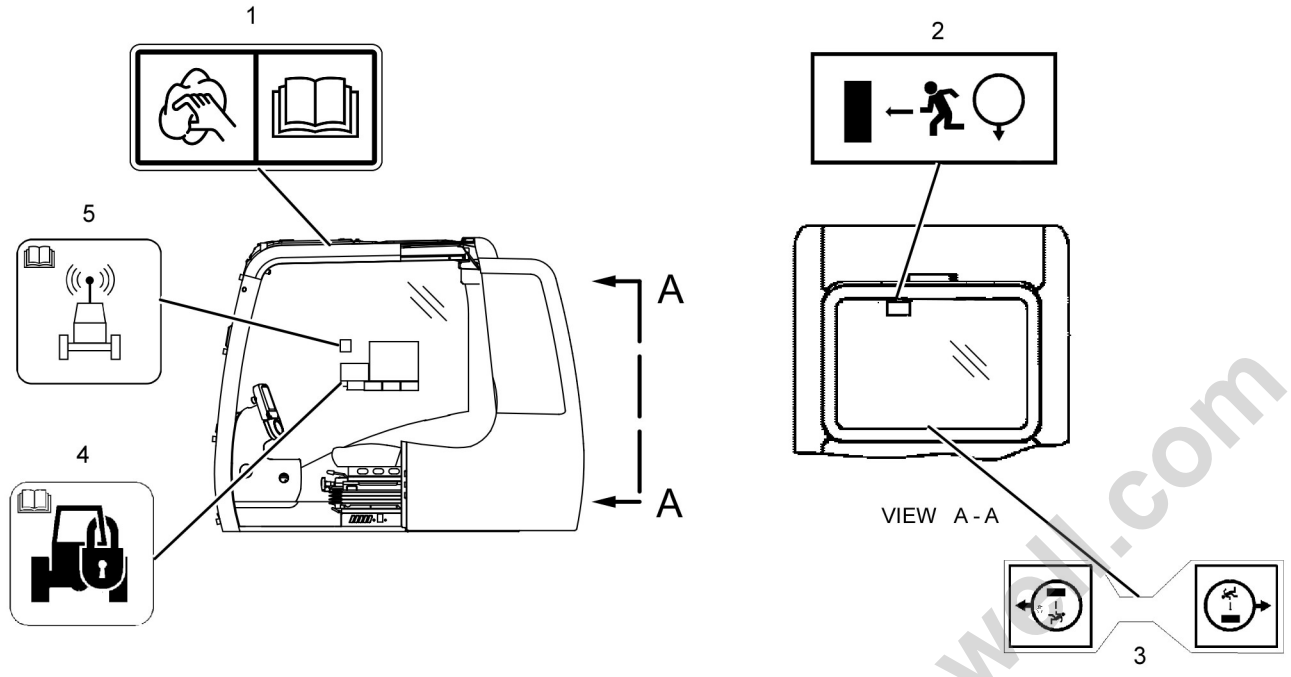


Illustration 24
Additional messages inside cab (if equipped)

g01432559

Provided for Free by Trenchworks.com
Shop Aftermarket Parts

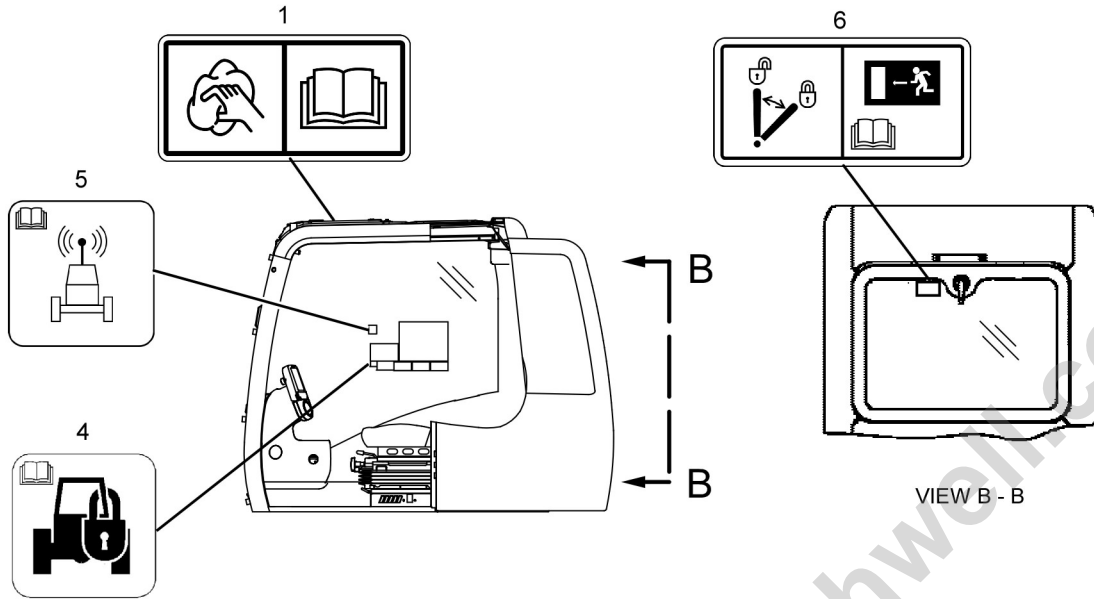


Illustration 25

Additional messages inside cab (if equipped)

g01432564

Provided for Free by Trenchworks.com
Shop Aftermarket Parts

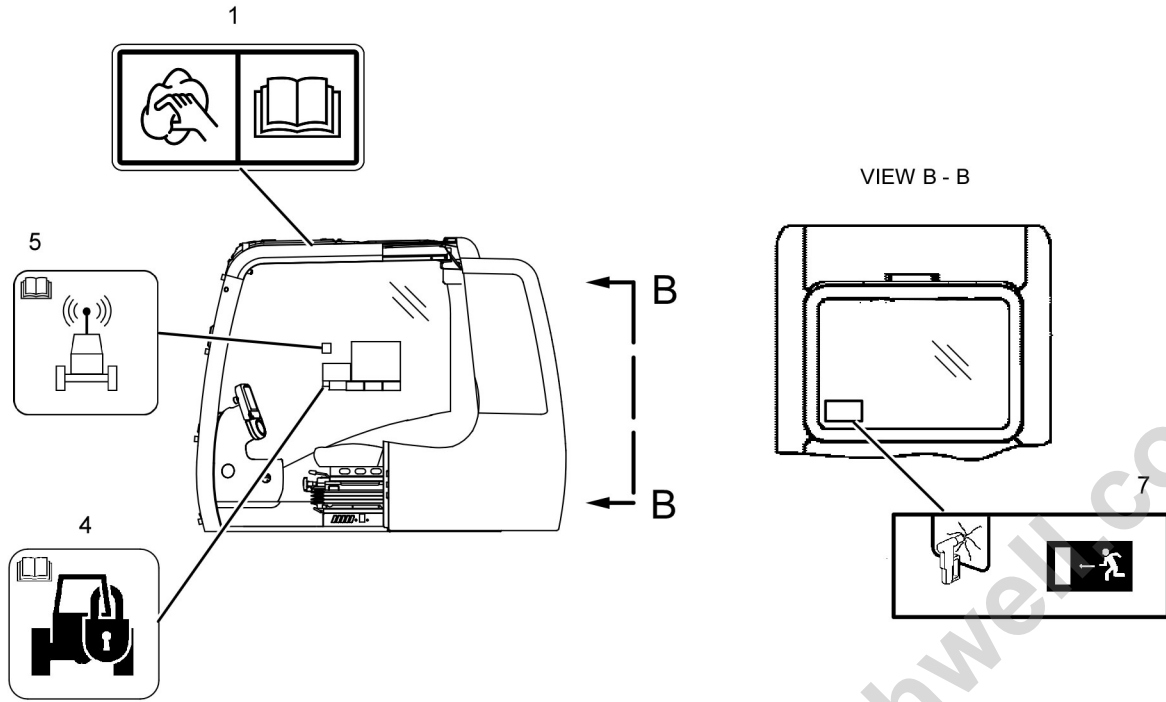


Illustration 26

g01642254

Provided for Free by Trenchwell.com
Shop Aftermarket Parts

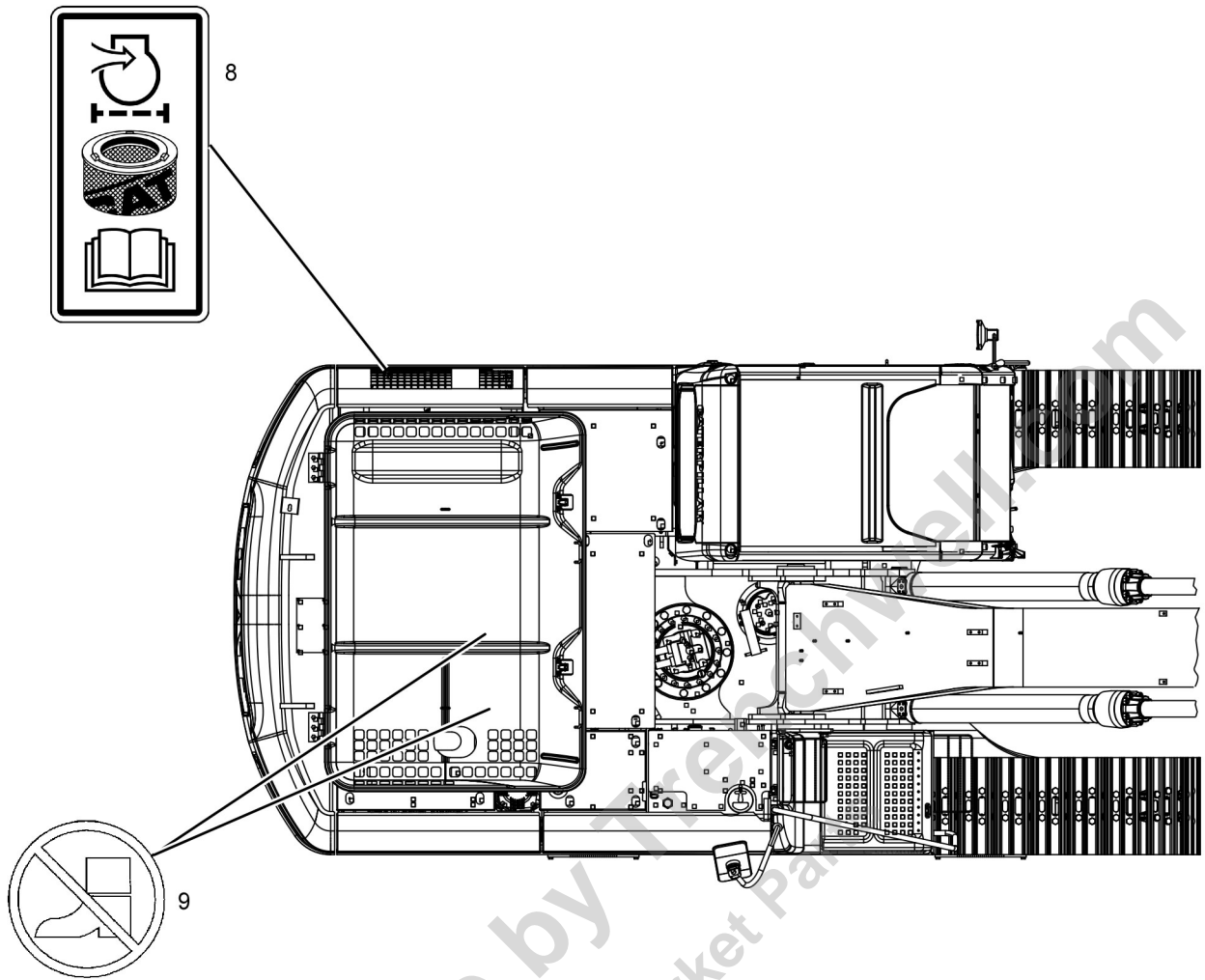


Illustration 27

g01642255

Cleaning Windows (1)

This message is located in three places on the cab windows.

Provided for Free by [FreeShopAftermarketParts.com](#)

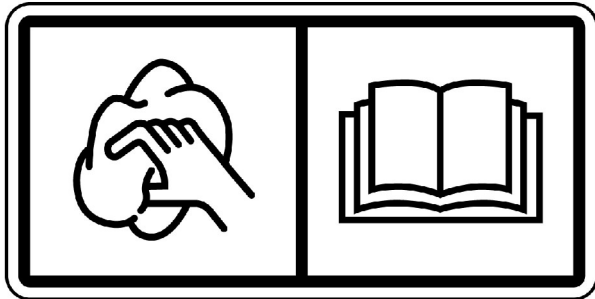


Illustration 28

g01134495

NOTICE

Clean windows with a wet cloth or sponge. Dry cloth or sponge may scratch window material.

Alternate Exit (2)

If equipped, this message is located in the upper right corner of the rear window.

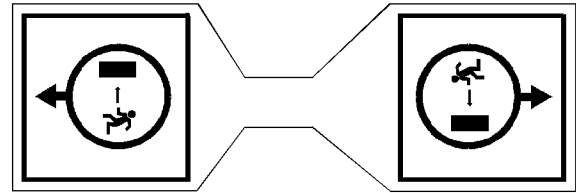


Illustration 30

g01396259

Pull the ring in order to open the alternate exit. Exit the machine through the window opening.

For more information, refer to Operation and Maintenance Manual, "Alternate Exit".

Machine Security System (4)

This message is located on the window on the right side of the cab.

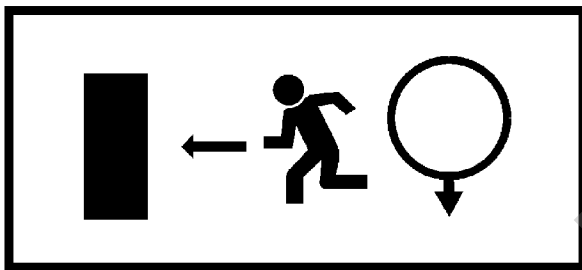


Illustration 29

g01396255

If the Primary exits are blocked, pull the ring in order to open the rear window. Exit the machine through the window opening.

For more information, refer to Operation and Maintenance Manual, "Alternate Exit".

Ring for the Alternate Exit (3)

If equipped, this message is located on the ring for the alternate exit.

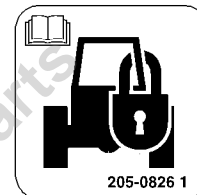


Illustration 31

g00951606

This machine may be equipped with a security system. Read the Operation and Maintenance Manual before you operate the machine.

Refer to Operation and Maintenance Manual, "Machine Security System" for more information.

Data Privacy (5)

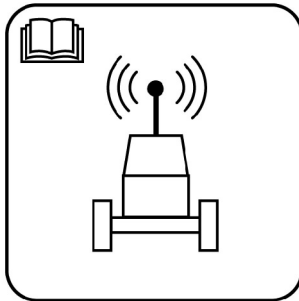


Illustration 32

g01418953

The Product Link System is a satellite communication device that transmits information regarding the machine back to Caterpillar and Caterpillar dealers and customers. All logged events and diagnostic codes that are available to the Caterpillar Electronic Technician (ET) on the CAT data link can be sent to the satellite. Information can also be sent to the Product Link System. The information is used to improve Caterpillar products and Caterpillar services.

Refer to Operation and Maintenance Manual, "Product Link" for more information.

Alternate Exit Lock/Unlock (6)

If equipped, this message is located on the rear window in the cab.

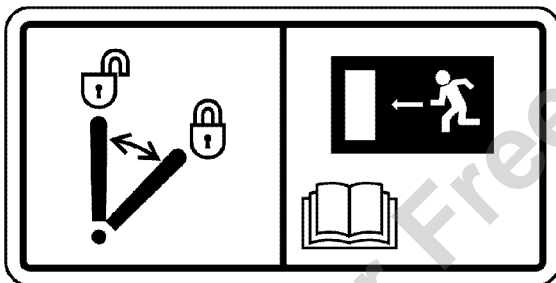


Illustration 33

g01353053

NOTICE
Unlock alternate exit window during machine operations.

Move the lever to the left to the UNLOCK position. Move the lever to the right to the LOCK position. Exit through rear window.

For more information, refer to Operation and Maintenance Manual, "Alternate Exit".

Alternate Exit (7)

If equipped, this message is located on the back window of the cab in the lower left hand corner.

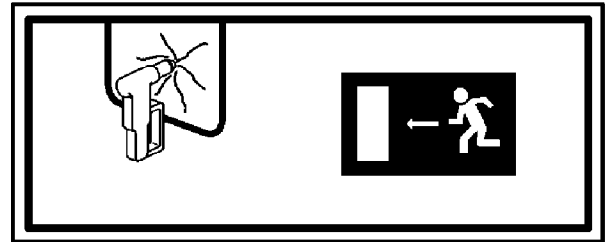


Illustration 34

g01069768

Break glass in order to exit.

Refer to Operation and Maintenance Manual, "Alternate Exit" for further information.

Radial Seal Air Filters (8)

This message is located on the air cleaner.

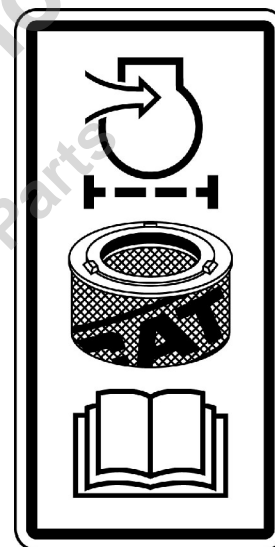


Illustration 35

g01134494

To avoid engine damage, use only Caterpillar radial seal air filters. Other filters will not seal properly. Read the operation and maintenance manual.

Refer to Operation and Maintenance Manual, "Engine Air Filter Primary Element - Clean/Replace".

No Step (9)

This message is located on the engine hood on the top of the machine. This message is also located on the cover plate under the engine hood.

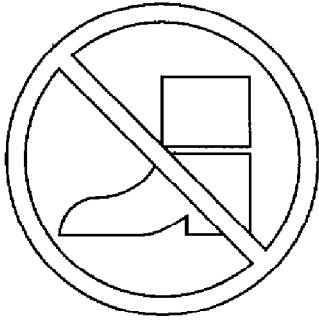


Illustration 36

g00911158

Do not step in this area.

i07500894

General Hazard Information

SMCS Code: 7000

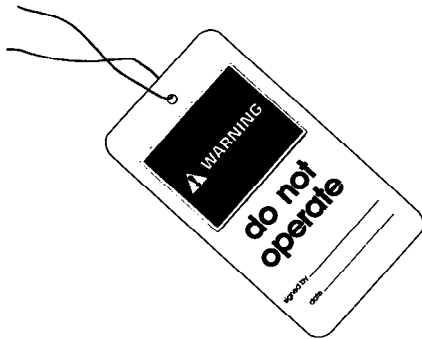


Illustration 37

g00104545

Typical example

Attach a “Do Not Operate” warning tag or a similar warning tag to the start switch or to the controls. Attach the warning tag before you service the equipment or before you repair the equipment. Warning tag SEHS7332 is available from your Cat dealer.

WARNING

Operating the machine while distracted can result in the loss of machine control. Use extreme caution when using any device while operating the machine. Operating the machine while distracted can result in personal injury or death.

Know the width of your equipment in order to maintain proper clearance when you operate the equipment near fences or near boundary obstacles.

Be aware of high voltage power lines and power cables that are buried. If the machine comes in contact with these hazards, serious injury or death may occur from electrocution.

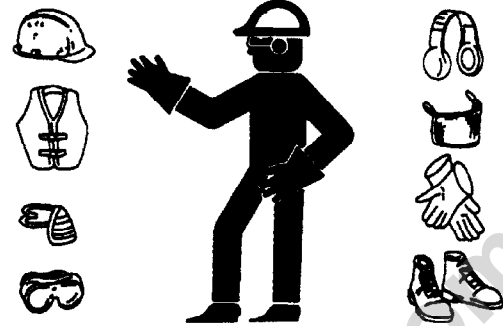


Illustration 38

g00702020

Wear a hard hat, protective glasses, and other protective equipment, as required.

Do not wear loose clothing or jewelry that can snag on controls or on other parts of the equipment.

Make sure that all protective guards and all covers are secured in place on the equipment.

Keep the equipment free from foreign material. Remove debris, oil, tools, and other items from the deck, from walkways, and from steps.

Secure all loose items such as lunch boxes, tools, and other items that are not a part of the equipment.

Know the appropriate work site hand signals and the personnel that are authorized to give the hand signals. Accept hand signals from one person only.

Do not smoke when you service an air conditioner. Also, do not smoke if refrigerant gas may be present. Inhaling the fumes that are released from a flame that contacts air conditioner refrigerant can cause bodily harm or death. Inhaling gas from air conditioner refrigerant through a lighted cigarette can cause bodily harm or death.

Never put maintenance fluids into glass containers. Drain all liquids into a suitable container.

Obey all local regulations for the disposal of liquids.

Use all cleaning solutions with care. Report all necessary repairs.

Do not allow unauthorized personnel on the equipment.

Unless you are instructed otherwise, perform maintenance with the equipment in the servicing position. Refer to Operation and Maintenance Manual for the procedure for placing the equipment in the servicing position.

When you perform maintenance above ground level, use appropriate devices such as ladders or man lift machines. If equipped, use the machine anchorage points and use approved fall arrest harnesses and lanyards.

Pressurized Air and Water

Pressurized air and/or water can cause debris and/or hot water to be blown out. The debris and/or hot water could result in personal injury.

When pressurized air and/or pressurized water is used for cleaning, wear protective clothing, protective shoes, and eye protection. Eye protection includes goggles or a protective face shield.

The maximum air pressure for cleaning purposes must be reduced to 205 kPa (30 psi) when the nozzle is deadheaded and the nozzle is used with an effective chip deflector and personal protective equipment. The maximum water pressure for cleaning purposes must be below 275 kPa (40 psi).

Avoid direct spraying of water on electrical connectors, connections, and components. When using air for cleaning, allow the machine to cool to reduce the possibility of fine debris igniting when re-deposited on hot surfaces.

Trapped Pressure

Pressure can be trapped in a hydraulic system. Releasing trapped pressure can cause sudden machine movement or attachment movement. Use caution if you disconnect hydraulic lines or fittings. High-pressure oil that is released can cause a hose to whip. High-pressure oil that is released can cause oil to spray. Fluid penetration can cause serious injury and possible death.

Fluid Penetration

Pressure can be trapped in the hydraulic circuit long after the machine has been stopped. The pressure can cause hydraulic fluid or items such as pipe plugs to escape rapidly if the pressure is not relieved correctly.

Do not remove any hydraulic components or parts until pressure has been relieved or personal injury may occur. Do not disassemble any hydraulic components or parts until pressure has been relieved or personal injury may occur. Refer to the Service Manual for any procedures that are required to relieve the hydraulic pressure.

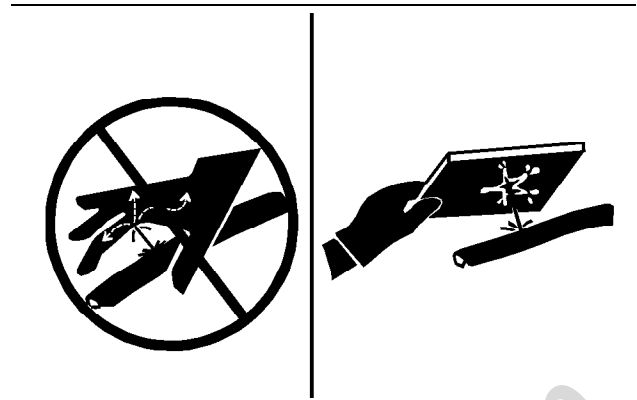


Illustration 39

g00687600

Always use a board or cardboard when you check for a leak. Leaking fluid that is under pressure can penetrate body tissue. Fluid penetration can cause serious injury and possible death. A pin hole leak can cause severe injury. If fluid is injected into your skin, you must get treatment immediately. Seek treatment from a doctor that is familiar with this type of injury.

Containing Fluid Spillage

Care must be taken in order to ensure that fluids are contained during performance of inspection, maintenance, testing, adjusting, and repair of the equipment. Prepare to collect the fluid with suitable containers before opening any compartment or disassembling any component that contains fluids.

Refer to Special Publication, NENG2500, "Cat dealer Service Tool Catalog" for the following items:

- Tools that are suitable for collecting fluids and equipment that is suitable for collecting fluids
- Tools that are suitable for containing fluids and equipment that is suitable for containing fluids

Obey all local regulations for the disposal of liquids.

Inhalation

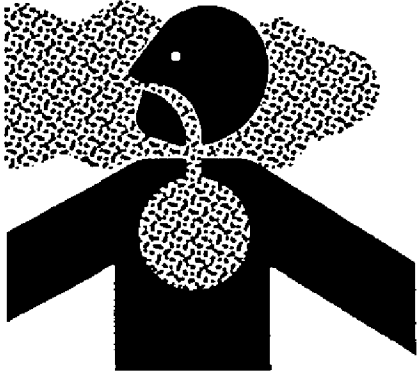


Illustration 40

g02159053

Exhaust

Use caution. Exhaust fumes can be hazardous to your health. If you operate the machine in an enclosed area, adequate ventilation is necessary.

Asbestos Information

Cat equipment and replacement parts that are shipped from Caterpillar are asbestos free. Caterpillar recommends the use of only genuine Cat replacement parts. Use the following guidelines when you handle any replacement parts that contain asbestos or when you handle asbestos debris.

Use caution. Avoid inhaling dust that might be generated when you handle components that contain asbestos fibers. Inhaling this dust can be hazardous to your health. The components that may contain asbestos fibers are brake pads, brake bands, lining material, clutch plates, and some gaskets. The asbestos that is used in these components is bound in a resin or sealed in some way. Normal handling is not hazardous unless airborne dust that contains asbestos is generated.

If dust that may contain asbestos is present, there are several guidelines that should be followed:

- Never use compressed air for cleaning.
- Avoid brushing materials that contain asbestos.
- Avoid grinding materials that contain asbestos.
- Use a wet method in order to clean up asbestos materials.
- A vacuum cleaner that is equipped with a high efficiency particulate air filter (HEPA) can also be used.

- Use exhaust ventilation on permanent machining jobs.
- Wear an approved respirator if there is no other way to control the dust.
- Comply with applicable rules and regulations for the work place. In the United States, use Occupational Safety and Health Administration (OSHA) requirements. These OSHA requirements can be found in "29 CFR 1910.1001". In Japan, use the requirements found in the "Ordinance on Prevention of Health Impairment due to Asbestos" in addition to the requirements of the Industrial Safety and Health Act.
- Obey environmental regulations for the disposal of asbestos.
- Stay away from areas that might have asbestos particles in the air.

Dispose of Waste Properly

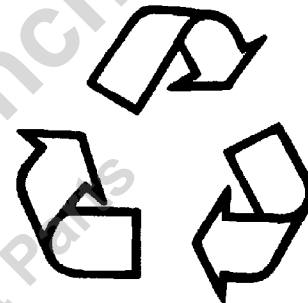


Illustration 41

g00706404

Improperly disposing of waste can threaten the environment. Potentially harmful fluids should be disposed of according to local regulations.

Always use leakproof containers when you drain fluids. Do not pour waste onto the ground, down a drain, or into any source of water.

i01359664

Crushing Prevention and Cutting Prevention

SMCS Code: 7000

Support the equipment properly before you perform any work or maintenance beneath that equipment. Do not depend on the hydraulic cylinders to hold up the equipment. Equipment can fall if a control is moved, or if a hydraulic line breaks.

Do not work beneath the cab of the machine unless the cab is properly supported.

Unless you are instructed otherwise, never attempt adjustments while the machine is moving or while the engine is running.

Never jump across the starter solenoid terminals in order to start the engine. Unexpected machine movement could result.

Whenever there are equipment control linkages the clearance in the linkage area will change with the movement of the equipment or the machine. Stay clear of areas that may have a sudden change in clearance with machine movement or equipment movement.

Stay clear of all rotating and moving parts.

If it is necessary to remove guards in order to perform maintenance, always install the guards after the maintenance is performed.

Keep objects away from moving fan blades. The fan blade will throw objects or cut objects.

Do not use a kinked wire cable or a frayed wire cable. Wear gloves when you handle wire cable.

When you strike a retainer pin with force, the retainer pin can fly out. The loose retainer pin can injure personnel. Make sure that the area is clear of people when you strike a retainer pin. To avoid injury to your eyes, wear protective glasses when you strike a retainer pin.

Chips or other debris can fly off an object when you strike the object. Make sure that no one can be injured by flying debris before striking any object.

i04760300

Burn Prevention

SMCS Code: 7000

Do not touch any part of an operating engine. Allow the engine to cool before any maintenance is performed on the engine. Relieve all pressure in the air system, in the oil system, in the lubrication system, in the fuel system, or in the cooling system before any lines, fittings, or related items are disconnected.

Coolant

When the engine is at operating temperature, the engine coolant is hot. The coolant is also under pressure. The radiator and all lines to the heaters or to the engine contain hot coolant.

Any contact with hot coolant or with steam can cause severe burns. Allow cooling system components to cool before the cooling system is drained.

Check the coolant level only after the engine has been stopped.

Ensure that the filler cap is cool before removing the filler cap. The filler cap must be cool enough to touch with a bare hand. Remove the filler cap slowly in order to relieve pressure.

Cooling system conditioner contains alkali. Alkali can cause personal injury. Do not allow alkali to contact the skin, the eyes, or the mouth.

Oils

Hot oil and hot components can cause personal injury. Do not allow hot oil to contact the skin. Also, do not allow hot components to contact the skin.

Remove the hydraulic tank filler cap only after the engine has been stopped. The filler cap must be cool enough to touch with a bare hand. Follow the standard procedure in this manual in order to remove the hydraulic tank filler cap.

Batteries

The liquid in a battery is an electrolyte. Electrolyte is an acid that can cause personal injury. Do not allow electrolyte to contact the skin or the eyes.

Do not smoke while checking the battery electrolyte levels. Batteries give off flammable fumes which can explode.

Always wear protective glasses when you work with batteries. Wash hands after touching batteries. The use of gloves is recommended.

i06180998

Fire Prevention and Explosion Prevention

SMCS Code: 7000



Illustration 42

g00704000

General

All fuels, most lubricants, and some coolant mixtures are flammable.

To minimize the risk of fire or explosion, Caterpillar recommends the following actions.

Always perform a Walk-Around Inspection, which may help you identify a fire hazard. Do not operate a machine when a fire hazard exists. Contact your Cat dealer for service.

Understand the use of the primary exit and alternative exit on the machine. Refer to Operation and Maintenance Manual, "Alternative Exit".

Do not operate a machine with a fluid leak. Repair leaks and clean up fluids before resuming machine operation. Fluids that are leaking or spilled onto hot surfaces or onto electrical components can cause a fire. A fire may cause personal injury or death.

Remove flammable material such as leaves, twigs, papers, trash, and so on. These items may accumulate in the engine compartment or around other hot areas and hot parts on the machine.

Keep the access doors to major machine compartments closed and access doors in working condition in order to permit the use of fire suppression equipment, in case a fire should occur.

Clean all accumulations of flammable materials such as fuel, oil, and debris from the machine.

Do not operate the machine near any flame.

Keep shields in place. Exhaust shields (if equipped) protect hot exhaust components from oil spray or fuel spray in case of a break in a line, in a hose, or in a seal. Exhaust shields must be installed correctly.

Do not weld or flame cut on tanks or lines that contain flammable fluids or flammable material. Empty and purge the lines and tanks. Then clean the lines and tanks with a nonflammable solvent prior to welding or flame cutting. Ensure that the components are properly grounded in order to avoid unwanted arcs.

Dust that is generated from repairing nonmetallic hoods or fenders may be flammable and/or explosive. Repair such components in a well ventilated area away from open flames or sparks. Use suitable Personal Protection Equipment (PPE).

Inspect all lines and hoses for wear or deterioration. Replace damaged lines and hoses. The lines and the hoses should have adequate support and secure clamps. Tighten all connections to the recommended torque. Damage to the protective cover or insulation may provide fuel for fires.

Store fuels and lubricants in properly marked containers away from unauthorized personnel. Store oily rags and flammable materials in protective containers. Do not smoke in areas that are used for storing flammable materials.



Illustration 43

g03839130

Use caution when you are fueling a machine. Do not smoke while you are fueling a machine. Do not fuel a machine near open flames or sparks. Do not use cell phones or other electronic devices while you are refueling. Always stop the engine before fueling. Fill the fuel tank outdoors. Properly clean areas of spillage.

Avoid static electricity risk when fueling. Ultra low sulfur diesel (ULSD) poses a greater static ignition hazard than earlier diesel formulations with a higher sulfur content. Avoid death or serious injury from fire or explosion. Consult with your fuel or fuel system supplier to ensure that the delivery system is in compliance with fueling standards for proper grounding and bonding practices.

Never store flammable fluids in the operator compartment of the machine.

Battery and Battery Cables

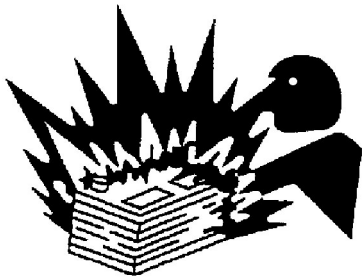


Illustration 44

g03839133

Caterpillar recommends the following in order to minimize the risk of fire or an explosion related to the battery.

Do not operate a machine if battery cables or related parts show signs of wear or damage. Contact your Cat dealer for service.

Follow safe procedures for engine starting with jump-start cables. Improper jumper cable connections can cause an explosion that may result in injury. Refer to Operation and Maintenance Manual, "Engine Starting with Jump Start Cables" for specific instructions.

Do not charge a frozen battery. This may cause an explosion.

Gases from a battery can explode. Keep any open flames or sparks away from the top of a battery. Do not smoke in battery charging areas. Do not use cell phones or other electronic devices in battery charging areas.

Never check the battery charge by placing a metal object across the terminal posts. Use a voltmeter in order to check the battery charge.

Daily inspect battery cables that are in areas that are visible. Inspect cables, clips, straps, and other restraints for damage. Replace any damaged parts. Check for signs of the following, which can occur over time due to use and environmental factors:

- Fraying
- Abrasion
- Cracking
- Discoloration
- Cuts on the insulation of the cable
- Fouling
- Corroded terminals, damaged terminals, and loose terminals

Replace damaged battery cable(s) and replace any related parts. Eliminate any fouling, which may have caused insulation failure or related component damage or wear. Ensure that all components are reinstalled correctly.

An exposed wire on the battery cable may cause a short to ground if the exposed area comes into contact with a grounded surface. A battery cable short produces heat from the battery current, which may be a fire hazard.

An exposed wire on the ground cable between the battery and the disconnect switch may cause the disconnect switch to be bypassed if the exposed area comes into contact with a grounded surface. This may result in an unsafe condition for servicing the machine. Repair components or replace components before servicing the machine.

WARNING

Fire on a machine can result in personal injury or death. Exposed battery cables that come into contact with a grounded connection can result in fires. Replace cables and related parts that show signs of wear or damage. Contact your Cat dealer.

Wiring

Check electrical wires daily. If any of the following conditions exist, replace parts before you operate the machine.

- Fraying
- Signs of abrasion or wear
- Cracking
- Discoloration

- Cuts on insulation
- Other damage

Make sure that all clamps, guards, clips, and straps are reinstalled correctly. This will help to prevent vibration, rubbing against other parts, and excessive heat during machine operation.

Attaching electrical wiring to hoses and tubes that contain flammable fluids or combustible fluids should be avoided.

Consult your Cat dealer for repair or for replacement parts.

Keep wiring and electrical connections free of debris.

Lines, Tubes, and Hoses

Do not bend high-pressure lines. Do not strike high-pressure lines. Do not install any lines that are bent or damaged. Use the appropriate backup wrenches in order to tighten all connections to the recommended torque.

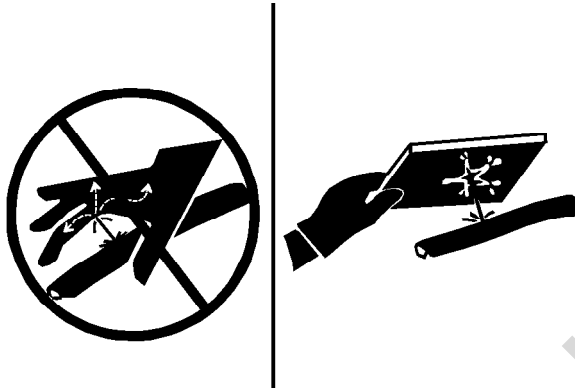


Illustration 45

g00687600

Check lines, tubes, and hoses carefully. Wear Personal Protection Equipment (PPE) in order to check for leaks. Always use a board or cardboard when you check for a leak. Leaking fluid that is under pressure can penetrate body tissue. Fluid penetration can cause serious injury and possible death. A pin hole leak can cause severe injury. If fluid is injected into your skin, you must get treatment immediately. Seek treatment from a doctor that is familiar with this type of injury.

Replace the affected parts if any of the following conditions are present:

- End fittings are damaged or leaking.
- Outer coverings are chafed or cut.
- Wires are exposed.
- Outer coverings are swelling or ballooning.
- Flexible parts of the hoses are kinked.

- Outer covers have exposed embedded armoring.
- End fittings are displaced.

Make sure that all clamps, guards, and heat shields are installed correctly. During machine operation, this will help to prevent vibration, rubbing against other parts, excessive heat, and failure of lines, tubes, and hoses.

Do not operate a machine when a fire hazard exists. Repair any lines that are corroded, loose, or damaged. Leaks may provide fuel for fires. Consult your Cat dealer for repair or for replacement parts. Use genuine Cat parts or the equivalent, for capabilities of both the pressure limit and temperature limit.

Ether

Ether (if equipped) is commonly used in cold-weather applications. Ether is flammable and poisonous.

Only use approved Ether canisters for the Ether dispensing system fitted to your machine, do not spray Ether manually into an engine, follow the correct cold engine starting procedures. Refer to the section in the Operation and Maintenance Manual with the label "Engine Starting" .

Use ether in ventilated areas. Do not smoke while you are replacing an ether cylinder.

Do not store ether cylinders in living areas or in the operator compartment of a machine. Do not store ether cylinders in direct sunlight or in temperatures above 49° C (120.2° F). Keep ether cylinders away from open flames or sparks.

Dispose of used ether cylinders properly. Do not puncture an ether cylinder. Keep ether cylinders away from unauthorized personnel.

Fire Extinguisher

As an additional safety measure, keep a fire extinguisher on the machine.

Be familiar with the operation of the fire extinguisher. Inspect the fire extinguisher and service the fire extinguisher regularly. Follow the recommendations on the instruction plate.

Consider installation of an aftermarket Fire Suppression System, if the application and working conditions warrant the installation.

i07041871

Fire Safety

SMCS Code: 7000

Note: Locate secondary exits and how to use the secondary exits before you operate the machine.

Note: Locate fire extinguishers and how to use a fire extinguisher before you operate the machine.

i01932259

If you find that you are involved in a machine fire, your safety and that of others on site are the top priority. The following actions should only be performed if the actions do not present a danger or risk to you and any nearby people. Assess the risk of personal injury and move away to a safe distance as soon as you feel unsafe.

Move the machine away from nearby combustible material such as fuel/oil stations, structures, trash, mulch, and timber.

Lower any implements and turn off the engine as soon as possible. If you leave the engine running, the engine will continue to feed a fire. The fire will be fed from any damaged hoses that are attached to the engine or pumps.

If possible, turn the battery disconnect switch to the OFF position. Disconnecting the battery will remove the ignition source in the event of an electrical short. Disconnecting the battery will eliminate a second ignition source if electrical wiring is damaged by the fire, resulting in a short circuit.

Notify emergency personnel of the fire and your location.

If your machine is equipped with a fire suppression system, follow the manufacturers procedure for activating the system.

Note: Fire suppression systems need to be regularly inspected by qualified personnel. You must be trained to operate the fire suppression system.

If you are unable to do anything else, shut off the machine before exiting. By shutting off the machine, fuels will not continue to be pumped into the fire.

If the fire grows out of control, be aware of the following risks:

- Tires on wheeled machines pose a risk of explosion as tires burn. Hot shrapnel and debris can be thrown great distances in an explosion.
- Tanks, accumulators, hoses, and fittings can rupture in a fire, spraying fuels and shrapnel over a large area.
- Remember that nearly all the fluids on the machine are flammable, including coolant and oils. Additionally, plastics, rubbers, fabrics, and resins in fiberglass panels are also flammable.

Fire Extinguisher Location

SMCS Code: 7000; 7419

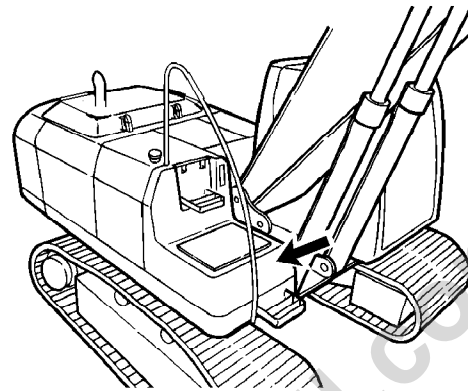


Illustration 46

g01005330

Make sure that a fire extinguisher is available. Be familiar with the operation of the fire extinguisher. Inspect the fire extinguisher and service the fire extinguisher regularly. Obey the recommendations on the instruction plate.

The recommended location for mounting the fire extinguisher is in the storage box.

i01329108

Track Information

SMCS Code: 4170; 7000

Track adjusting systems use either grease or oil under high pressure to keep the track under tension.

Grease or oil under high pressure coming out of the relief valve can penetrate the body causing injury or death. Do not watch the relief valve to see if grease or oil is escaping. Watch the track or track adjustment cylinder to see if the track is being loosened.

The pins and bushings in a dry track pin joint can become very hot. It is possible to burn the fingers if there is more than brief contact with these components.

i01122596

Electrical Storm Injury Prevention

SMCS Code: 7000

When lightning is striking in the vicinity of the machine, the operator should never attempt the following procedures:

- Mount the machine.

- Dismount the machine.

i01340061

If you are in the operator's station during an electrical storm, stay in the operator's station. If you are on the ground during an electrical storm, stay away from the vicinity of the machine.

i00771840

Before Starting Engine

SMCS Code: 1000; 7000

Start the engine only from the operator compartment. Never short across the starter terminals or across the batteries. Shorting could damage the electrical system by bypassing the engine neutral start system.

Inspect the condition of the seat belt and of the mounting hardware. Replace any parts that are worn or damaged. Regardless of appearance, replace the seat belt after three years of use. Do not use a seat belt extension on a retractable seat belt.

Adjust the seat so that full pedal travel can be achieved with the operator's back against the back of the seat.

Make sure that the machine is equipped with a lighting system that is adequate for the job conditions. Make sure that all machine lights are working properly.

Before you start the engine and before you move the machine, make sure that no one is underneath the machine, around the machine, or on the machine. Make sure that the area is free of personnel.

i03562260

Engine Starting

SMCS Code: 1000; 7000

If a warning tag is attached to the engine start switch or to the controls, do not start the engine. Also, do not move any controls.

Make sure that you are seated before you start the engine.

Move all hydraulic controls to the HOLD position before you start the engine. Move the hydraulic lockout control to the LOCKED position. For further details on this procedure, refer to Operation and Maintenance Manual, "Operator Controls".

Diesel engine exhaust contains products of combustion which can be harmful to your health. Always run the engine in a well ventilated area. If you are in an enclosed area, vent the exhaust to the outside.

Briefly sound the horn before you start the engine.

Before Operation

SMCS Code: 7000

Clear all personnel from the machine and from the area.

Clear all obstacles from the machine's path. Beware of hazards (wires, ditches, etc).

Be sure that all windows are clean. Secure the doors and the windows in the open position or in the shut position.

Adjust the rearview mirrors (if equipped) for the best visibility close to the machine. Make sure that the horn, the travel alarm (if equipped), and all other warning devices are working properly.

Fasten the seat belt securely.

Warm up the engine and the hydraulic oil before operating the machine.

Before moving the machine, check the position of the undercarriage. The normal travel position is with the idler wheels to the front under the cab and the drive sprockets to the rear. When the undercarriage is in the reversed position, the directional controls must be operated in opposite directions.

i04159629

Work Tools

SMCS Code: 6700

Only use work tools that are recommended by Caterpillar for use on Cat machines.

Use of work tools, including buckets, which are outside of Caterpillar's recommendations or specifications for weight, dimensions, flows, pressures, and so on, may result in less-than-optimal vehicle performance, including but not limited to reductions in production, stability, reliability, and component durability. Caterpillar recommends appropriate work tools for our machines to maximize the value our customers receive from our products. Caterpillar understands that special circumstances may lead a customer to use tools outside of our specifications. In these cases, customers must be aware that such choices can reduce vehicle performance and will affect their ability to claim warranty in the event of what a customer may perceive as a premature failure.

Work tools and work tool control systems, that are compatible with your Cat machine, are required for safe machine operation and/or reliable machine operation. If you are in doubt about the compatibility of a particular work tool with your machine, consult your Cat dealer.

Make sure that all necessary guarding is in place on the host machine and on the work tool.

Keep all windows and doors closed on the host machine. A polycarbonate shield must be used when the host machine is not equipped with windows and when a work tool could throw debris.

Do not exceed the maximum operating weight that is listed on the ROPS certification.

If your machine is equipped with an extendable stick, install the transport pin when you are using the following work tools: hydraulic hammers, augers and compactors

Always wear protective glasses. Always wear the protective equipment that is recommended in the operation manual for the work tool. Wear any other protective equipment that is required for the operating environment.

To prevent personnel from being struck by flying objects, ensure that all personnel are out of the work area.

While you are performing any maintenance, any testing, or any adjustments to the work tool stay clear of the following areas: cutting edges, pinching surfaces and crushing surfaces.

Never use the work tool for a work platform.

i04862936

Visibility Information

SMCS Code: 7000

Before you start the machine, perform a walk-around inspection in order to ensure that there are no hazards around the machine.

While the machine is in operation, constantly survey the area around the machine in order to identify potential hazards as hazards become visible around the machine.

Your machine may be equipped with visual aids. Some examples of visual aids are Closed Circuit Television (CCTV) and mirrors. Before operating the machine, ensure that the visual aids are in proper working condition and that the visual aids are clean. Adjust the visual aids using the procedures that are located in this Operation and Maintenance Manual. If equipped, the Work Area Vision System shall be adjusted according to Operation and Maintenance Manual, SEBU8157, "Work Area Vision System". If equipped, the Cat Detect Object Detection shall be adjusted according to the Operation and Maintenance Manual, "Cat Detect Object Detection" for your machine.

It may not be possible to provide direct visibility on large machines to all areas around the machine. Appropriate job site organization is required in order to minimize hazards that are caused by restricted visibility. Job site organization is a collection of rules and procedures that coordinates machines and people that work together in the same area. Examples of job site organization include the following:

- Safety instructions
- Controlled patterns of machine movement and vehicle movement
- Workers that direct safe movement of traffic
- Restricted areas
- Operator training
- Warning symbols or warning signs on machines or on vehicles
- A system of communication
- Communication between workers and operators prior to approaching the machine

Modifications of the machine configuration by the user that result in a restriction of visibility shall be evaluated.

i07450108

Operation

SMCS Code: 7000

Machine Operating Temperature Range

The machine must function satisfactorily in the anticipated ambient temperature limits that are encountered during operation. The standard machine configuration is intended for use within an ambient temperature range of -18°C (0°F) to 43°C (109°F). Special configurations for different ambient temperatures may be available. Consult your Cat dealer for additional information on special configurations of your machine.

Limiting Conditions and Criteria

Limiting conditions are immediate issues with this machine that must be addressed prior to continuing operation.

The Safety Section of the Operation and Maintenance Manual describes limiting condition criteria for replacing items such as safety messages, seat belt and mounting hardware, lines, tubes, hoses, battery cables and related parts, electrical wires, and repairing any fluid leak.

The Maintenance Interval Schedule in the Operation and Maintenance Manual describes limiting condition criteria that require repair or replacement for items (if equipped) such as alarms, horns, braking system, steering system, and rollover protective structures.

The Monitoring System (if equipped) described in the Operation Section of the Operation and Maintenance Manual provides information on limiting condition criteria, including a warning level that requires immediate shutdown of the machine.

Machine Operation

Only operate the machine while you are in a seat. The seat belt must be fastened while you operate the machine. Only operate the controls while the engine is running.

Check for proper operation of all controls and of all protective devices while you operate the machine slowly in an open area.

When the machine is moving watch the clearance of the boom. Uneven ground can cause the boom to move in all directions.

Make sure that no personnel will be endangered before you move the machine. Do not allow riders on the machine unless the machine has an additional seat with a seat belt.

Report any machine damage that was noted during machine operation. Make any necessary repairs.

Never use the work tool for a work platform.

Hold attachments approximately 40 cm (15 inches) above ground level while you drive the machine. Do not drive the machine close to an overhang, to the edge of a cliff, or to the edge of an excavation.

If the machine begins to sideslip on a grade, immediately dump the load and turn the machine downhill.

Be careful to avoid any ground condition which could cause the machine to tip. Tipping can occur when you work on hills, on banks, or on slopes. Tipping can also occur when you cross ditches, ridges, or other unexpected obstructions.

When possible, operate the machine up slopes and down slopes with the final drive sprockets facing down the slope. Avoid operating the machine across the slope. Place the heaviest end of the machine uphill when you are working on an incline.

Keep the machine under control. Do not overload the machine beyond capacity.

Avoid changing the direction of travel on a slope. Changing the direction of travel on a slope could result in tipping or side slipping of the machine.

Bring the load close to the machine before traveling any distances.

Bring the load close to the machine before swinging the load.

Lifting capacity decreases as the load is moved further from the machine.

Make sure that the towing eyes and the towing devices are adequate for your needs.

Only connect trailing equipment to a drawbar or to a hitch.

Never straddle a wire cable. Never allow other personnel to straddle a wire cable.

When you maneuver in order to connect the equipment, make sure that no personnel are between the machine and trailing equipment. Block up the hitch of the trailing equipment in order to align the equipment with the drawbar.

Check the local regulations, state codes, and/or directives of the job site for a specific minimum distance from obstacles.

Before you operate the machine, check with local utilities for the locations of underground pipes and for the locations of buried cables.

Know the maximum dimensions of your machine.

Watch the load at all times.

Do not operate the machine without the counterweight. The machine can tip when the boom is over the side.

The clamshell, the grapple, or the magnet can swing in all directions. Move the joysticks in a continuous motion. Failure to move the joysticks in a continuous motion can cause the clamshell, the grapple, or the magnet to swing into the cab or into a person in the work area. This will result in personal injury.

Certain machine front linkage combinations (boom, stick, quick coupler, work tool) can allow the work tool to contact the machine undercarriage, swing frame, boom, boom hydraulic cylinder and or the cab. Be aware of the position of the work tool while you operate the machine.

Shut down the machine until damaged or non-functioning visibility aid(s) is repaired (if applicable) or until appropriate job site organization is used to minimize hazards that are caused by any resulting restricted visibility.

Machine Operation when the Machine is not Completely Assembled

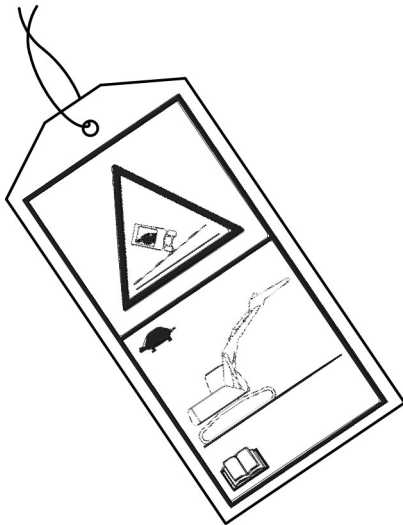


Illustration 47

g02202544

Attach the tag to the controls of the machine. When the tag is attached to the controls, operate the machine as described below.

If the machine needs to be operated without the boom, stick, and/or counterweight being installed, the machine should be operated slowly on flat, stable ground or pavement by qualified operators. Avoid any machine operations which could affect machine stability, including the swing function. The ROPS structural certification depends on the support of the boom, stick, and counterweight in the event of a machine tip over or a machine rollover incident.

i06299648

Engine Stopping

SMCS Code: 1000; 7000

Do not stop the engine immediately after the machine has been operated under load. Stopping the engine immediately can cause overheating and accelerated wear of engine components.

After the machine is parked and the parking brake is engaged, allow the engine to run at low idle for 5 minutes before shutdown. Running the engine allows hot areas of the engine to cool gradually.

i07262981

Lifting Objects

SMCS Code: 7000

There may be local regulations and/or government regulations that govern the use of machines which lift heavy objects. Obey all local and government regulations.

If this machine is used to lift objects within an area that is controlled by the European Directive "2006/42/EC", the machine must be equipped with a boom lowering control valve, a stick lowering control valve, and an overload warning device.

i06781973

Parking

SMCS Code: 7000

The hydraulic system controls remain pressurized if the accumulator is charged. This condition is true even when the engine is not running. The hydraulic control system pressure should decrease in a short time (approximately 1 minute). While the hydraulic controls maintain a charge, the hydraulic work tools and machine controls remain functional.

There can be residual pressure within the hydraulic system even when the accumulator is empty. Refer to this Operation and Maintenance Manual, "System Pressure Release" before any service is performed to the hydraulic system.

Machine movement that is sudden and unexpected will occur if any of the controls are moved. Machine movement that is sudden and unexpected, can cause personal injury or death.

Always move the hydraulic lockout control to the LOCKED position before you shut off the engine or immediately after the engine stops running.

Park the machine on a level surface. If you must park on a grade, chock the wheels of the machine.

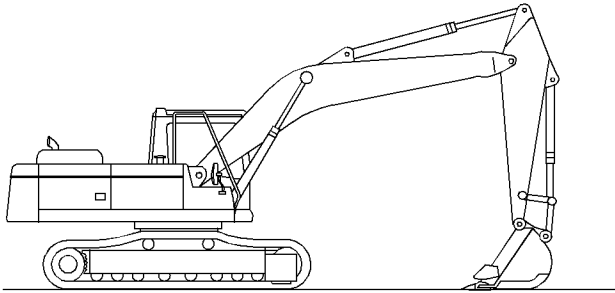


Illustration 48

g02154493

Place the machine in the servicing position.

Note: Make sure that all work tools are in the recommended servicing position before servicing the machine.

Move the hydraulic lockout control to the LOCKED position.

Stop the engine.

Turn the engine start switch to the OFF position and remove the engine start switch key.

Turn the battery disconnect switch to the OFF position.

Remove the disconnect switch key if you do not operate the machine for an extended period. This will prevent drainage of the battery. A battery short circuit, any current draw from certain components, and vandalism can cause drainage of the battery.

Install barriers or lighting as required to prevent interference in road traffic.

Select places free of danger by flooding and other water damage.

i07378239

Slope Operation

SMCS Code: 7000

Machines that are operating safely in various applications depend on these criteria: the machine model, configuration, machine maintenance, operating speed of the machine, conditions of the terrain, fluid levels, and tire inflation pressures. The most important criteria are the skill and judgment of the operator.

A well trained operator that follows the instructions in the Operation and Maintenance Manual has the greatest impact on stability. Operator training provides a person with the following abilities: observation of working and environmental conditions, feel for the machine, identification of potential hazards and operating the machine safely by making appropriate decisions.

When you work on side hills and when you work on slopes, consider the following important points:

Speed of travel – At higher speeds, forces of inertia tend to make the machine less stable.

Roughness of terrain or surface – The machine may be less stable with uneven terrain.

Direction of travel – Avoid operating the machine across the slope. When possible, operate the machine up the slopes and operate the machine down the slopes. Place the heaviest end of the machine uphill when you are working on an incline.

Mounted equipment – Balance of the machine may be impeded by the following components: equipment that is mounted on the machine, machine configuration, weights, and counterweights.

Nature of surface – Ground that has been newly filled with earth may collapse from the weight of the machine.

Surface material – Rocks and moisture of the surface material may drastically affect the machine's traction and machine's stability. Rocky surfaces may promote side slipping of the machine.

Slippage due to excessive loads – This may cause downhill tracks or downhill tires to dig into the ground, which will increase the angle of the machine.

Width of tracks or tires – Narrower tracks or narrower tires further increase the digging into the ground which causes the machine to be less stable.

Implements attached to the drawbar – This may decrease the weight on the uphill tracks. This may also decrease the weight on the uphill tires. The decreased weight will cause the machine to be less stable.

Height of the working load of the machine – When the working loads are in higher positions, the stability of the machine is reduced.

Operated equipment – Be aware of performance features of the equipment in operation and the effects on machine stability.

Operating techniques – Keep all attachments or pulled loads low to the ground for optimum stability.

Machine systems have limitations on slopes – Slopes can affect the proper function and operation of the various machine systems. These machine systems are needed for machine control.

Note: Operators with lots of experience and proper equipment for specific applications are also required. Safe operation on steep slopes may also require special machine maintenance. Refer to Lubricant Viscosities and Refill Capacities in this manual for the proper fluid level requirements and intended machine use. Fluids must be at the correct levels to ensure that systems will operate properly on a slope.

i01329161

Equipment Lowering with Engine Stopped

SMCS Code: 7000-II

Before lowering any equipment with the engine stopped, clear the area around the equipment of all personnel. The procedure to use will vary with the type of equipment to be lowered. Keep in mind most systems use a high pressure fluid or air to raise or lower equipment. The procedure will cause high pressure air, hydraulic, or some other media to be released in order to lower the equipment. Wear appropriate personal protective equipment and follow the established procedure in the Operation and Maintenance Manual, "Equipment Lowering with Engine Stopped" in the Operation Section of the manual.

i06845844

Sound Information and Vibration Information

SMCS Code: 7000

Sound Level Information

The declared dynamic operator sound pressure level is 76 dB(A) when "ISO 6396: 2008" is used to measure the value for an enclosed cab. The measurement was conducted at 70% of the maximum engine cooling fan speed. The sound level may vary at different engine cooling fan speeds. The measurement was conducted with the cab doors and the cab windows closed. The cab was properly installed and maintained.

Hearing protection may be needed when the machine is operated with an open operator station for extended periods or in a noisy environment. Hearing protection may be needed when the machine is operated with a cab that is not properly maintained, or when the doors and windows are open for extended periods or in a noisy environment.

Sound Level Information for Machines in European Union Countries and in Countries that Adopt the "EU Directives"

The declared exterior sound power level L_{WA} is 102 dB(A) when the value is measured according to the dynamic test procedures and conditions that are specified in "ISO 6395:2008". The measurement was conducted at 70% of the maximum engine cooling fan speed. The sound level may vary at different engine cooling fan speeds.

The declared dynamic operator sound pressure level is 76 dB(A) when "ISO 6396: 2008" is used to measure the value for an enclosed cab. The measurement was conducted at 70% of the maximum engine cooling fan speed. The sound level may vary at different engine cooling fan speeds. The measurement was conducted with the cab doors and the cab windows closed. The cab was properly installed and maintained.

Sound Level Information for Machines in Eurasian Economic Union Countries

The declared dynamic operator sound pressure level is 76 dB(A) when "ISO 6396:2008" is used to measure the value for an enclosed cab. The measurement was conducted at 70 % of the maximum engine cooling fan speed. The sound level may vary at different engine cooling fan speeds. The measurement was conducted with the cab doors and the cab windows closed.

The declared exterior sound power level (LWA) is 102 dB(A) when the value is measured according to the dynamic test procedures and the conditions that are specified in "ISO 6395:2008". The measurement was conducted at 70 % of the maximum engine cooling fan speed. The sound level may vary at different engine cooling fan speeds.

“The European Union Physical Agents (Vibration) Directive 2002/44/EC”

Vibration Data for Track Type Excavator

Information Concerning Hand/Arm Vibration Level

When the machine is operated according to the intended use, the hand/arm vibration of this machine is below 2.5 meter per second squared.

Information Concerning Whole Body Vibration Level

This section provides vibration data and a method for estimating the vibration level for track type excavators.

Note: Vibration levels are influenced by many different parameters. Many items are listed below.

- Operator training, behavior, mode and stress
- Job site organization, preparation, environment, weather and material
- Machine type, quality of the seat, quality of the suspension system, attachments and condition of the equipment

It is not possible to get precise vibration levels for this machine. The expected vibration levels can be estimated with the information in Table 1 in order to calculate the daily vibration exposure. A simple evaluation of the machine application can be used.

Estimate the vibration levels for the three vibration directions. For typical operating conditions, use the average vibration levels as the estimated level. With an experienced operator and smooth terrain, subtract the Scenario Factors from the average vibration level in order to obtain the estimated vibration level. For aggressive operations and severe terrain, add the Scenario Factors to the average vibration level in order to obtain the estimated vibration level.

Note: All vibration levels are in meter per second squared.

Table 1

"ISO Reference Table A - Equivalent vibration levels of whole body vibration emission for earthmoving equipment."							
Machine Type	Typical Operating Activity	Vibration Levels			Scenario Factors		
		X axis	Y axis	Z axis	X axis	Y axis	Z axis
Track Type Excavators	excavating	0,44	0,27	0,30	0,24	0,16	0,17
	hydraulic breaker application	0,53	0,31	0,55	0,30	0,18	0,28
	mining application	0,65	0,42	0,61	0,21	0,15	0,32
	transfer	0,48	0,32	0,79	0,19	0,20	0,23

Note: Refer to "ISO/TR 25398 Mechanical Vibration - Guideline for the assessment of exposure to whole body vibration of ride on operated earthmoving machines" for more information about vibration. This publication uses data that is measured by international institutes, organizations and manufacturers. This document provides information about the whole body exposure of operators of earthmoving equipment. Refer to Operation and Maintenance Manual, SEBU8257, "The European Union Physical Agents (Vibration) Directive 2002/44/EC" for more information about machine vibration levels.

The Caterpillar suspension seat meets the criteria of "ISO 7096". This represents vertical vibration level under severe operating conditions.

Guidelines for Reducing Vibration Levels on Earthmoving Equipment

Properly adjust machines. Properly maintain machines. Operate machines smoothly. Maintain the conditions of the terrain. The following guidelines can help reduce the whole body vibration level:

1. Use the right type and size of machine, equipment, and attachments.
2. Maintain machines according to the manufacturer's recommendations.
 - a. Tire pressures
 - b. Brake and steering systems
 - c. Controls, hydraulic system and linkages
3. Keep the terrain in good condition.
 - a. Remove any large rocks or obstacles.
 - b. Fill any ditches and holes.
 - c. Provide machines and schedule time in order to maintain the conditions of the terrain.
4. Use a seat that meets "ISO 7096". Keep the seat maintained and adjusted.
 - a. Adjust the seat and suspension for the weight and the size of the operator.

- b. Inspect and maintain the seat suspension and adjustment mechanisms.

5. Perform the following operations smoothly.

- a. Steer
- b. Brake
- c. Accelerate.
- d. Shift the gears.

6. Move the attachments smoothly.

7. Adjust the machine speed and the route in order to minimize the vibration level.

- a. Drive around obstacles and rough terrain.
- b. Slow down when it is necessary to go over rough terrain.

8. Minimize vibrations for a long work cycle or a long travel distance.

- a. Use machines that are equipped with suspension systems.
- b. Use the ride control system on track type excavators.
- c. If no ride control system is available, reduce speed in order to prevent bounce.
- d. Haul the machines between workplaces.

9. Less operator comfort may be caused by other risk factors. The following guidelines can be effective in order to provide better operator comfort:

- a. Adjust the seat and adjust the controls in order to achieve good posture.
- b. Adjust the mirrors in order to minimize twisted posture.
- c. Provide breaks in order to reduce long periods of sitting.
- d. Avoid jumping from the cab.
- e. Minimize repeated handling of loads and lifting of loads.

- f. Minimize any shocks and impacts during sports and leisure activities.

i07349154

Sources

The vibration information and the calculation procedure is based on "ISO/TR 25398 Mechanical Vibration - Guideline for the assessment of exposure to whole body vibration of ride on operated earthmoving machines". Harmonized data is measured by international institutes, organizations and manufacturers.

This literature provides information about assessing the whole body vibration exposure of operators of earthmoving equipment. The method is based on measured vibration emission under real working conditions for all machines.

You should check the original directive. This document summarizes part of the content of the applicable law. This document is not meant to substitute the original sources. Other parts of these documents are based on information from the United Kingdom Health and Safety Executive.

Refer to Operation and Maintenance Manual, SEBU8257, "The European Union Physical Agents (Vibration) Directive 2002/44/EC" for more information about vibration.

Consult your local Caterpillar dealer for more information about machine features that minimize vibration levels. Consult your local Caterpillar dealer about safe machine operation.

Use the following web site in order to find your local dealer:

Caterpillar, Inc.
www.cat.com

i07199012

Operator Station

SMCS Code: 7300; 7301; 7325

Any modifications to the inside of the operator station should not project into the operator space or into the space for the companion seat (if equipped). The addition of a radio, fire extinguisher, and other equipment must be installed so that the defined operator space and the space for the companion seat (if equipped) is maintained. Any item that is brought into the cab should not project into the defined operator space or the space for the companion seat (if equipped). A lunch box or other loose items must be secured. Objects must not pose an impact hazard in rough terrain or in the event of a rollover.

Guards (Operator Protection)

SMCS Code: 7000; 7150

There are different types of guards that are used to protect the operator. The machine and the machine application determine the type of guard that should be used.

A daily inspection of the guards is required in order to check for structures that are bent, cracked or loose. Never operate a machine with a damaged structure.

The operator becomes exposed to a hazardous situation if the machine is used improperly or if poor operating techniques are used. This situation can occur even though a machine is equipped with an appropriate protective guard. Follow the established operating procedures that are recommended for your machine.

Rollover Protective Structure (ROPS), Falling Object Protective Structure (FOPS) or Tip Over Protection Structure (TOPS)

The ROPS/FOPS Structure (if equipped) on your machine is specifically designed, tested and certified for that machine. Any alteration or any modification to the ROPS/FOPS Structure could weaken the structure. This places the operator into an unprotected environment. Modifications or attachments that cause the machine to exceed the weight that is stamped on the certification plate also place the operator into an unprotected environment. Excessive weight may inhibit the brake performance, the steering performance and the ROPS. The protection that is offered by the ROPS/FOPS Structure will be impaired if the ROPS/FOPS Structure has structural damage. Damage to the structure can be caused by an overturn, a falling object, a collision, etc.

Do not mount items (fire extinguishers, first aid kits, work lights, etc) by welding brackets to the ROPS/FOPS Structure or by drilling holes in the ROPS/FOPS Structure. Welding brackets or drilling holes in the ROPS/FOPS Structures can weaken the structures. Consult your Cat dealer for mounting guidelines.

The Tip Over Protection Structure (TOPS) is another type of guard that is used on mini hydraulic excavators. This structure protects the operator in the event of a tipover. The same guidelines for the inspection, the maintenance and the modification of the ROPS/FOPS Structure are required for the Tip Over Protection Structure.

Other Guards (If Equipped)

Protection from flying objects and/or falling objects is required for special applications. Logging applications and demolition applications are two examples that require special protection.

A front guard needs to be installed when a work tool that creates flying objects is used. Mesh front guards that are approved by Caterpillar or polycarbonate front guards that are approved by Caterpillar are available for machines with a cab or an open canopy. On machines that are equipped with cabs, the windows should also be closed. Safety glasses are recommended when flying hazards exist for machines with cabs and machines with open canopies.

If the work material extends above the cab, top guards and front guards should be used. Typical examples of this type of application are listed below:

- Demolition applications
- Rock quarries
- Forestry products

Additional guards may be required for specific applications or work tools. The Operation and Maintenance Manual for your machine or your work tool will provide specific requirements for the guards. Refer to Operation Maintenance manual, "Demolition" for additional information. Consult your Cat dealer for additional information.

Provided for Free by Trenchwell.com
Shop Aftermarket Parts

Product Information Section

General Information

i03680471

Specifications

SMCS Code: 7000

Intended Use

The intended use of this machine is for excavating with a bucket or working with approved work tools. The machine should be operated with the undercarriage in a stationary position since the upper structure is normally capable of 360 degree swing with mounted equipment. This machine can be used in object handling applications that are within the lift capacity of the machine. When this machine is used in object handling applications, ensure that the machine is properly configured and operated properly. Obey any local governmental regulations and regional governmental regulations. Only lift objects from approved lifting points and with approved lifting devices.

Specification Data

Provided for Free by Trenchwell.com
Shop Aftermarket Parts

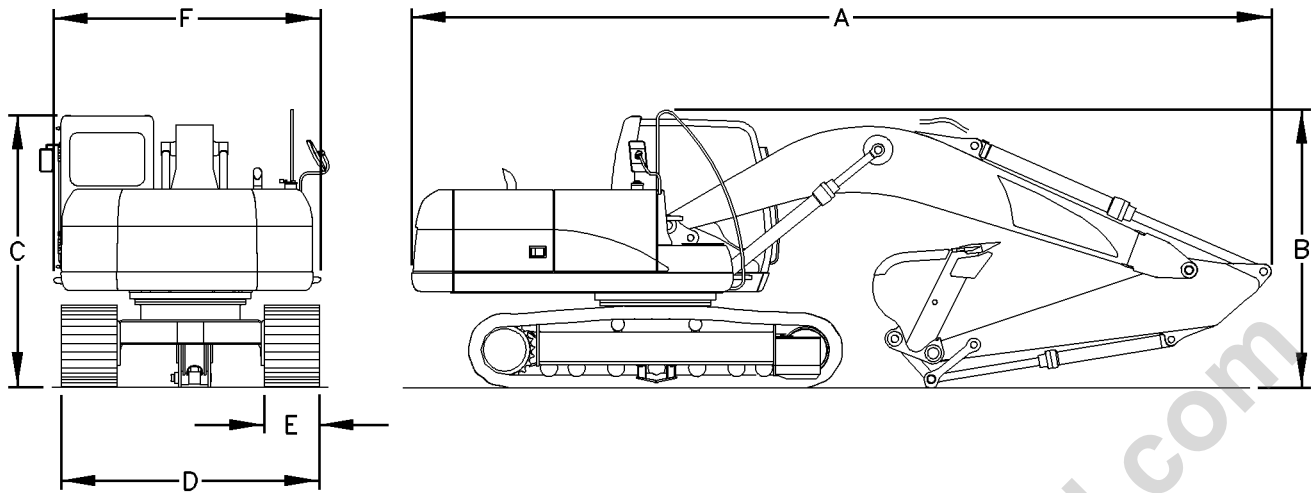


Illustration 49

g00683588

Table 2

320D Excavator ⁽¹⁾		
Approximate Weight		20210 kg (44560 lb)
Overall Length (A) ⁽²⁾	Serial Number Range	
	FAL1-566 A6F1-up	9340 mm (30 ft 8 inch)
	MCH1-up	9440 mm (31 ft)
Overall Height (B)	Serial Number Range	
	FAL1-566 A6F1-up	3740 mm (12 ft 3 inch) ⁽³⁾
	MCH1-up	3440 mm (11 ft 4 inch)
Height of Cab (C)		2950 mm (9 ft 8 inch)
Overall Width (D)		2800 mm (9 ft 2 inch)
Track Shoe Width (E)		600 mm (2 ft)
Width of Upper Structure (F)		2740 mm (9 ft)

⁽¹⁾ These specifications are for a machine that has a 5.7 m (18 ft 8 inch) boom, a 3.9 m (12 ft 10 inch) stick, a 0.8 m³ (1.0 yd³) bucket, and a 10 percent full fuel tank.

⁽²⁾ The overall length of the machine is 9470 mm (31 ft 1 inch) when all of the work tools are removed.

⁽³⁾ The height of the boom can be reduced to 3390 mm (11 ft 1 inch) when the bucket and the quick coupler (if equipped) are removed.

Table 3

320D Excavator ⁽¹⁾	
Approximate Weight	19960 kg (44000 lb)
Overall Length (A)	9460 mm (31 ft)
Overall Height (B)	3030 mm (9 ft 11 inch)
Height of Cab (C)	2950 mm (9 ft 8 inch)
Overall Width (D)	2800 mm (9 ft 2 inch)
Track Shoe Width (E)	600 mm (2 ft)
Width of Upper Structure (F)	2740 mm (9 ft)

⁽¹⁾ These specifications are for a machine that has a 5.7 m (18 ft 8 inch) reach boom, a 2.9 m (9 ft 7 inch) stick, a 0.8 m³ (1.0 yd³) bucket, and a 10 percent full fuel tank.

Table 4

320D Excavator ⁽¹⁾	
Approximate Weight	19980 kg (44050 lb)
Overall Length (A)	9460 mm (31 ft)
Overall Height (B)	3050 mm (10 ft)
Height of Cab (C)	2950 mm (9 ft 8 inch)
Overall Width (D)	2800 mm (9 ft 2 inch)
Track Shoe Width (E)	600 mm (2 ft)
Width of Upper Structure (F)	2740 mm (9 ft)

⁽¹⁾ These specifications are for a machine that has a 5.7 m (18 ft 8 inch) reach boom, a 2.5 m (8 ft 2 inch) stick, a 0.9 m³ (1.2 yd³) bucket, and a 10 percent full fuel tank.

Product Information Section
Specifications

Table 5

320D Excavator⁽¹⁾	
Approximate Weight	20480 kg (45150 lb)
Overall Length (A)	9710 mm (31 ft 10 inch)
Overall Height (B)	3100 mm (10 ft 2 inch)
Height of Cab (C)	2950 mm (9 ft 8 inch)
Overall Width (D)	2800 mm (9 ft 2 inch)
Track Shoe Width (E)	600 mm (2 ft)
Width of Upper Structure (F)	2740 mm (9 ft)

(1) These specifications are for a machine that has a 5.7 m (18 ft 8 inch) reach boom, a 1.9 m (6 ft 3 inch) stick, a 1.1 m³ (1.4 yd³) bucket, and a 10 percent full fuel tank.

Table 6

320D Excavator⁽¹⁾	
Approximate Weight	20540 kg (45280 lb)
Overall Length (A)	9050 mm (29 ft 8 inch)
Overall Height (B)	3280 mm (10 ft 9 inch)
Height of Cab (C)	2950 mm (9 ft 8 inch)
Overall Width (D)	2800 mm (9 ft 2 inch)
Track Shoe Width (E)	600 mm (2 ft)
Width of Upper Structure (F)	2740 mm (9 ft)

(1) These specifications are for a machine that has a 5.2 m (17 ft 1 inch) mass boom, a 2.4 m (7 ft 10 inch) stick, a 1.1 m³ (1.4 yd³) bucket, and a 10 percent full fuel tank.

Table 7

320D L Excavator⁽¹⁾		
Approximate Weight		21410 kg (47200 lb)
Overall Length (A) ⁽²⁾	Serial Number Range	
	PHX1-1265 A8F1-up A9F1-up	9340 mm (30 ft 8 inch)
	PHX1266-up	9440 mm (31 ft)
Overall Height (B)	Serial Number Range	
	PHX1-1265 A8F1-up A9F1-up	3740 mm (12 ft 3 inch) ⁽³⁾
	PHX1266-up	3440 mm (11 ft 4 inch)
Height of Cab (C)		2950 mm (9 ft 8 inch)

(Table 7, contd)

320D L Excavator⁽¹⁾	
Overall Width (D)	3170 mm (10 ft 5 inch)
Track Shoe Width (E)	790 mm (2 ft 7 inch)
Width of Upper Structure (F)	2740 mm (9 ft)

- (1) These specifications are for a machine that has a 5.7 m (18 ft 8 inch) boom, a 3.9 m (12 ft 10 inch) stick, a 0.8 m³ (1.0 yd³) bucket, and a 10 percent full fuel tank.
 (2) The overall length of the machine is 9470 mm (31 ft 1 inch) when all of the work tools are removed.
 (3) The height of the boom can be reduced to 3390 mm (11 ft 1 inch) when the bucket and the quick coupler (if equipped) are removed.

Table 8

320D L Excavator⁽¹⁾	
Approximate Weight	21200 kg (46740 lb)
Overall Length (A)	9460 mm (31 ft)
Overall Height (B)	3030 mm (9 ft 11 inch)
Height of Cab (C)	2950 mm (9 ft 8 inch)
Overall Width (D)	3170 mm (10 ft 5 inch)
Track Shoe Width (E)	790 mm (2 ft 7 inch)
Width of Upper Structure (F)	2740 mm (9 ft)

(1) These specifications are for a machine that has a 5.7 m (18 ft 8 inch) reach boom, a 2.9 m (9 ft 7 inch) stick, a 0.9 m³ (1.2 yd³) bucket, and a 10 percent full fuel tank.

Table 9

320D L Excavator⁽¹⁾	
Approximate Weight	21220 kg (46780 lb)
Overall Length (A)	9460 mm (31 ft)
Overall Height (B)	3050 mm (10 ft)
Height of Cab (C)	2950 mm (9 ft 8 inch)
Overall Width (D)	3170 mm (10 ft 5 inch)
Track Shoe Width (E)	790 mm (2 ft 7 inch)
Width of Upper Structure (F)	2740 mm (9 ft)

(1) These specifications are for a machine that has a 5.7 m (18 ft 8 inch) reach boom, a 2.5 m (8 ft 2 inch) stick, a 1.0 m³ (1.3 yd³) bucket, and a 10 percent full fuel tank.

(continued)

Table 10

320D L Excavator⁽¹⁾	
Approximate Weight	21690 kg (47820 lb)
Overall Length (A)	9710 mm (31 ft 10 inch)
Overall Height (B)	3100 mm (10 ft 2 inch)
Height of Cab (C)	2950 mm (9 ft 8 inch)
Overall Width (D)	3170 mm (10 ft 5 inch)
Track Shoe Width (E)	790 mm (2 ft 7 inch)
Width of Upper Structure (F)	2740 mm (9 ft)

⁽¹⁾ These specifications are for a machine that has a 5.7 m (18 ft 8 inch) reach boom, a 1.9 m (6 ft 3 inch) stick, a 1.1 m³ (1.4 yd³) bucket, and a 10 percent full fuel tank.

Table 11

320D L Excavator⁽¹⁾	
Approximate Weight	21780 kg (48020 lb)
Overall Length (A)	9050 mm (29 ft 8 inch)
Overall Height (B)	3280 mm (10 ft 9 inch)
Height of Cab (C)	2950 mm (9 ft 8 inch)
Overall Width (D)	3170 mm (10 ft 5 inch)
Track Shoe Width (E)	790 mm (2 ft 7 inch)
Width of Upper Structure (F)	2740 mm (9 ft)

⁽¹⁾ These specifications are for a machine that has a 5.2 m (17 ft 1 inch) mass boom, a 2.4 m (7 ft 10 inch) stick, a 1.2 m³ (1.6 yd³) bucket, and a 10 percent full fuel tank.

Table 12

320D LN Excavator⁽¹⁾ S/N: WBN	
Approximate Weight	21200 kg (46738 lb)
Overall Length (A)	9490 mm (31 ft 2 inch)
Overall Height (B)	3030 mm (9 ft 11 inch)
Height of Cab (C)	2950 mm (9 ft 8 inch)
Overall Width (D)	2520 mm (8 ft 3 inch)
Track Shoe Width (E)	500 mm (1 ft 8 inch)
Width of Upper Structure (F)	2520 mm (8 ft 3 inch)

(continued)

(Table 12, contd)

- (1) These specifications are for a machine that has a 5.7 m (18 ft 8 inch) reach boom, a 2.9 m (9 ft 6 inch) stick, a 0.8 m³ (1.05 yd³) bucket, and a 10 percent full fuel tank.

Working Ranges

Provided for Free by Trenchwell.com
Shop Aftermarket Parts

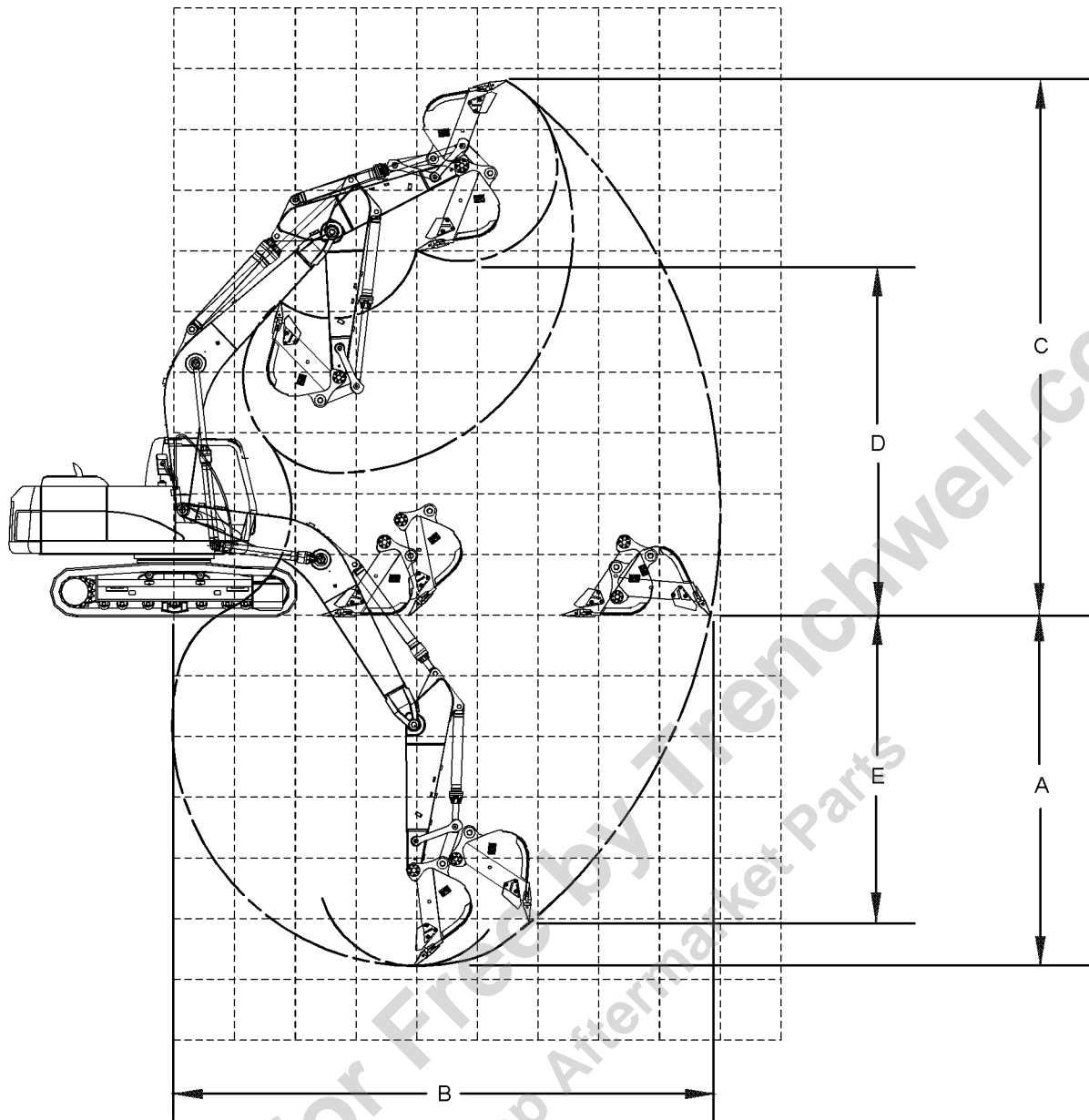


Illustration 50

g01977180

Table 13

Reach Boom	5.7 m (18 ft 7 inch)
Stick	3.9 m (12 ft 8 inch)
Bucket	1.0 m ³ (1.31 yd ³)
Maximum Digging Depth (A)	7660 mm (25 ft 2 inch)

(Table 13, contd)

Maximum Reach at Ground Level (B)	10760 mm (35 ft 4 inch)
Maximum Cutting Height (C)	9940 mm (32 ft 7 inch)
Maximum Loading Height (D)	6940 mm (22 ft 9 inch)
Maximum Digging Depth (Vertical Wall) (E)	6970 mm (22 ft 10 inch)

(continued)

Product Information Section
Specifications

Table 14

Reach Boom	5.7 m (18 ft 7 inch)
Stick	2.9 m (9 ft 7 inch)
Bucket	1.0 m ³ (1.31 yd ³)
Maximum Digging Depth (A)	6720 mm (22 ft 1 inch)
Maximum Reach at Ground Level (B)	9860 mm (32 ft 4 inch)
Maximum Cutting Height (C)	9490 mm (31 ft 2 inch)
Maximum Loading Height (D)	6490 mm (21 ft 4 inch)
Maximum Digging Depth (Vertical Wall) (E)	6060 mm (19 ft 11 inch)

Table 15

Reach Boom	5.7 m (18 ft 7 inch)
Stick	2.5 m (8 ft 2 inch)
Bucket	1.0 m ³ (1.31 yd ³)
Maximum Digging Depth (A)	6300 mm (20 ft 8 inch)
Maximum Reach at Ground Level (B)	9460 mm (31 ft)
Maximum Cutting Height (C)	9290 mm (30 ft 6 inch)
Maximum Loading Height (D)	6290 mm (20 ft 8 inch)
Maximum Digging Depth (Vertical Wall) (E)	5650 mm (18 ft 6 inch)

Table 16

Reach Boom	5.7 m (18 ft 7 inch)
Stick	2.9 m (9 ft 7 inch)
Hydraulic Pin Grabber Quick Coupler with a Bucket	1.0 m ³ (1.31 yd ³)
Maximum Digging Depth (A)	6980 mm (22 ft 11 inch)
Maximum Reach at Ground Level (B)	10120 mm (33 ft 2 inch)
Maximum Cutting Height (C)	9720 mm (31 ft 11 inch)
Maximum Loading Height (D)	6230 mm (20 ft 5 inch)
Maximum Digging Depth (Vertical Wall) (E)	5380 mm (17 ft 8 inch)

Table 17

Reach Boom	5.7 m (18 ft 7 inch)
Stick	2.5 m (8 ft 2 inch)
Hydraulic Pin Grabber Quick Coupler with a Bucket	1.0 m ³ (1.31 yd ³)

(Table 17, contd)

Maximum Digging Depth (A)	6560 mm (21 ft 6 inch)
Maximum Reach at Ground Level (B)	9730 mm (31 ft 11 inch)
Maximum Cutting Height (C)	9520 mm (31 ft)
Maximum Loading Height (D)	6030 mm (19 ft 9 inch)
Maximum Digging Depth (Vertical Wall) (E)	4990 mm (16 ft 4 inch)

Table 18

Mass Boom	5.2 m (17 ft 1 inch)
Stick	2.4 m (7 ft 10 inch)
Bucket	1.35 m ³ (1.77 yd ³)
Maximum Digging Depth (A)	5890 mm (19 ft 4 inch)
Maximum Reach at Ground Level (B)	8960 mm (29 ft 5 inch)
Maximum Cutting Height (C)	8930 mm (29 ft 4 inch)

(continued)

(continued)

(Table 18, contd)

Maximum Loading Height (D)	5720 mm (18 ft 9 inch)
Maximum Digging Depth (Vertical Wall) (E)	5360 mm (17 ft 7 inch)

Super Long Reach

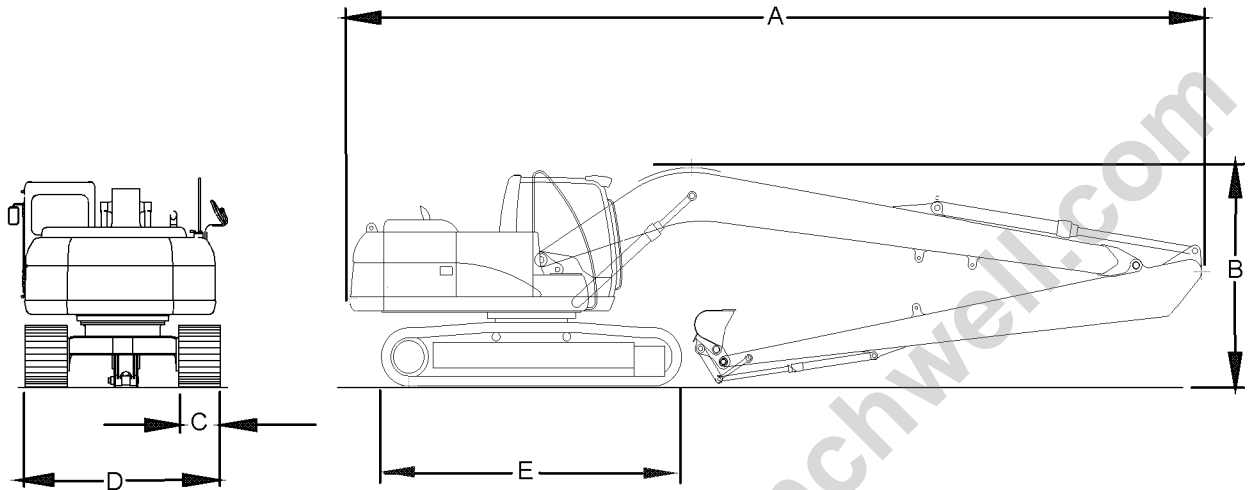


Illustration 51

g01255437

Table 19

320D L Excavator⁽¹⁾	
Approximate Weight	21690 kg (47820 lb)
Overall Length (A)	12680 mm (41 ft 7 inch)
Overall Height (B)	3190 mm (10 ft 6 inch)
Track Shoe Width (C)	790 mm (2 ft 7 inch)
Overall Width (D)	2980 mm (9 ft 9 inch)
Length of Track (E)	4455 mm (14 ft 7 inch)

⁽¹⁾ These specifications are for a machine that has a 8.85 m (29 ft 1 inch) super long reach boom, a 6.28 m (29 ft 1 inch) stick, a 0.46 m³ (0.80 yd³) bucket, and a 10 percent full fuel tank.

Provided by Trenchwell.com
Shop Aftermarket Parts

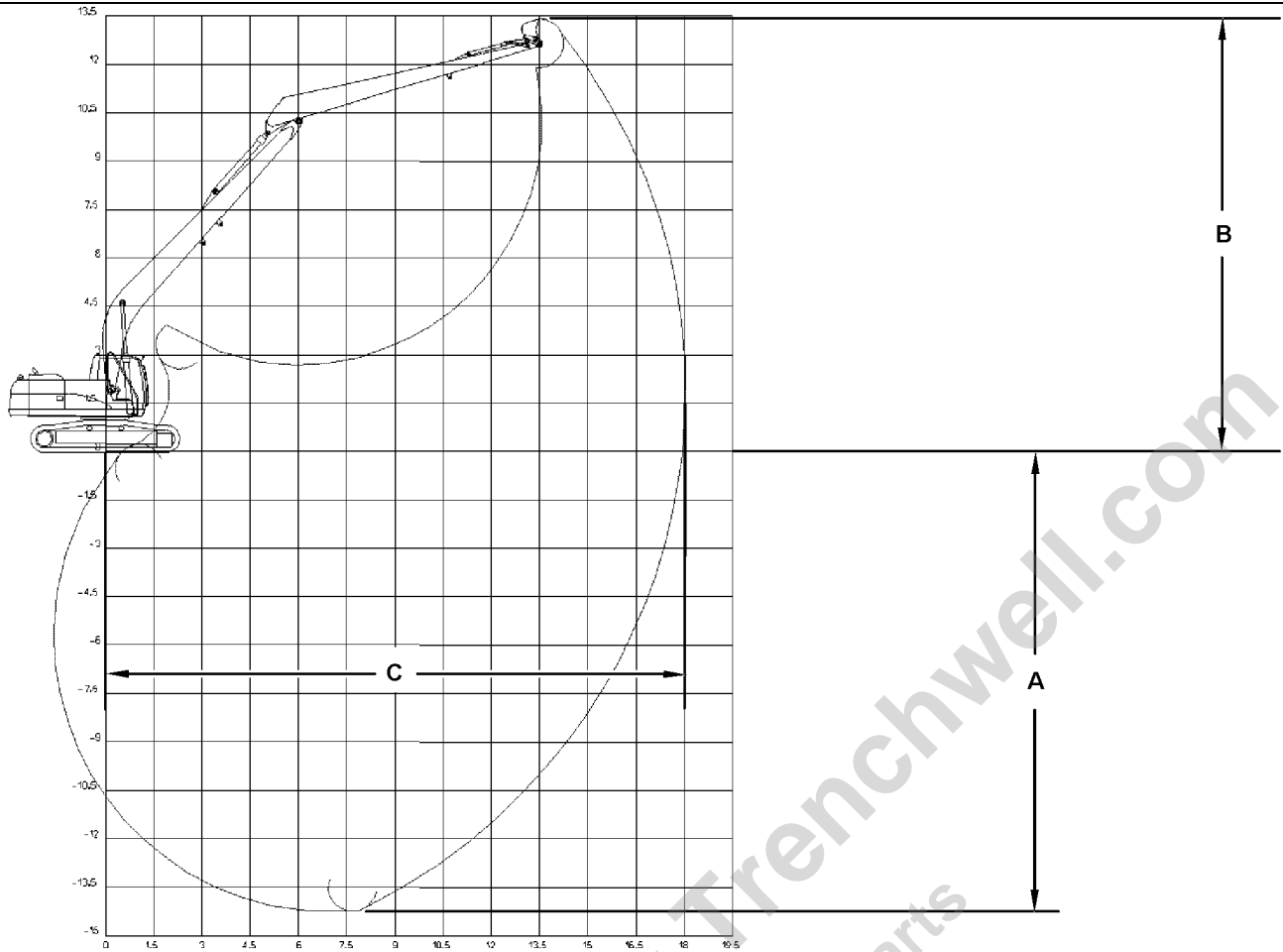


Illustration 52

g01365529

Table 20

Super Long Reach Boom	8.85 m (29 ft 1 inch)
Stick	6.28 m (20 ft 7 inch)
Bucket	0.46 m ³ (0.60 yd ³)
Maximum Digging Depth (A)	11740 mm (38 ft 6 inch)
Maximum Cutting Height (B)	13240 mm (43 ft 5 inch)
Maximum Reach at Ground Level (C)	15590 mm (51 ft 2 inch)

Buckets are grouped into families (B and C) according to the capacity of the bucket. Generally, use a bucket with a smaller capacity when you are using a longer stick and/or a longer boom. Conversely, use a bucket with a larger capacity when you are using a shorter stick and/or a shorter boom. This rule ensures better machine stability and protection against structural machine damage.

Each stick is designed to match a specific family of buckets. It is not possible to attach buckets of a different family to a given stick.

The following tables show various compatible boom-stick-bucket combinations. Select an optimum combination according to the working conditions and according to the type of work that is being done.

i03681741

Boom/Stick/Bucket Combinations

SMCS Code: 6000; 6700

This machine can be equipped with a large variety of boom-stick-bucket combinations in order to meet the needs of various applications.

Table 21

320D Excavator					
SAE Capacity of Bucket	Weight of Bucket	Width of Bucket	Track Shoe Width	Counterweight	Boom
					5.2 m (17 ft 1 inch)
0.80 m ³ (1.05 yd ³)	810 kg (1785 lb)	920 mm (36 inch)	600 mm (24 inch)	3860 kg (8510 lb)	2.4 m (7 ft 10 inch) Stick
					(1)

(1) 1800 kg/m³ (3400 lb/yd³) is the maximum density of material.

Table 22

320D L Excavator					
SAE Capacity of Bucket	Weight of Bucket	Width of Bucket	Track Shoe Width	Counterweight	Boom
					5.2 m (17 ft 1 inch)
1.2 m ³ (1.6 yd ³)	1095 kg (2415 lb)	1220 mm (48 inch)	600 mm (24 inch)	3860 kg (8510 lb)	2.4 m (7 ft 10 inch) Stick
0.80 m ³ (1.05 yd ³)	810 kg (1785 lb)	920 mm (36 inch)	800 mm (32 inch)	3860 kg (8510 lb)	(1)
					(1)

(1) 1800 kg/m³ (3400 lb/yd³) is the maximum density of material.

Table 23

320D L Excavator					
SAE Capacity of Bucket	Weight of Bucket	Width of Bucket	Track Shoe Width	Counterweight	Super Long Reach Boom
					8.85 m (29 ft 1 inch)
0.60 m ³ (1.05 yd ³)	290 kg (640 lb)	920 mm (36 inch)	800 mm (32 inch)	4830 kg (10650 lb)	6.28 m (20 ft 7 inch) Stick
					(1)

(1) 1200 kg/m³ (2000 lb/yd³) is the maximum density of material.

For more information, consult your Caterpillar Dealer.

- cab
- 75 kg (165 lb) operator

i03660595

Lifting Capacities

SMCS Code: 7000

WARNING

Failure to comply to the rated load can cause possible personal injury or property damage. Review the rated load of a particular work tool before performing any operation. Make adjustments to the rated load as necessary for non-standard configurations.

Note: Lifting capacities are based upon a standard machine with the following conditions:

- Lubricants
- full fuel tank
- Steel track

Lifting capacities will vary with different work tools and attachments. Consult your Caterpillar dealer regarding the lifting capacities for specific work tools and attachments.

Note: Lifting capacities should be used as a guide. Work tools, uneven ground conditions, soft ground conditions, or poor ground conditions have effects on lifting capacities. The operator is responsible for being aware of these effects.

Special hazards (toxic gases, ground conditions, etc) require special precautions. The operator must determine whether special hazards exist in each application. The operator shall perform the appropriate steps in order to eliminate the hazard. The operator shall perform the appropriate steps in order to reduce the hazard.

Product Information Section
Lifting Capacities

For North American applications and European applications, the lifting capacities are defined by “ISO 10567 2007”. The lifting capacities are defined as the lower value of 75% of the static tipping capacity or 87% of the hydraulic lift capacity.

The lifting capacities were calculated with a machine that was equipped with a standard bucket. The difference between the weight of a work tool attachment and the standard bucket must be subtracted.

This machine may be equipped with a variety of sticks. Lifting capacities may vary between the different sticks. Measure the distance on the stick between the boom hinge pin and the work tool hinge pin. This distance will inform you of the size of the stick that is equipped on the machine.

Note: In European countries, regulations require a load sensing indicator and a boom lowering control device if more than 1000 kg (2200 lb) is lifted during object handling applications. Regulations also require a load sensing indicator and a boom lowering control device if a force that is greater than 40000 N·m (29500 lb ft) is created during object handling applications. Even if the hydraulic lift capacity is capable, do not exceed a load of 1000 kg (2200 lb). Do not exceed a force of 40000 N·m (29500 lb ft) in European object handling applications.



Illustration 53

g01055537

(H) Height
(F) Lifting capacity over the front or rear of the machine

(S) Lifting capacity over the side of the machine
(R) Reach

Table 24

320D LN Excavator with a reach boom, a 2.5 m (8 ft 2 inch) stick, a 0.66 m ³ (0.9 yd ³) bucket, and 500 mm (1 ft 8 inch) triple grouser track shoes															
All lifting capacities are in kilograms.															
H	R														
	1.5 m		3.0 m		4.5 m		6.0 m		7.5 m		Maximum Reach				
	F	S	F	S	F	S	F	S	F	S	F	S	m		
7.5 m													3200 ⁽¹⁾	6.29	
6.0 m							4400 ⁽¹⁾	4250					3150 ⁽¹⁾	2950	7.32
4.5 m							5000 ⁽¹⁾	4100	4550 ⁽¹⁾	2750			3100 ⁽¹⁾	2400	8.02
3.0 m					8150 ⁽¹⁾	5850	5900 ⁽¹⁾	3850	4950 ⁽¹⁾	2650			3150 ⁽¹⁾	2150	8.42

(continued)

(Table 24, contd)

1.5 m					9850 ⁽¹⁾	5450	6800 ⁽¹⁾	3600	5100	2550	3350 ⁽¹⁾	2050	8.52
0.0 m					9550 ⁽¹⁾	5300	7100	3450	5000	2450	3750 ⁽¹⁾	2100	8.32
-1.5 m			7950 ⁽¹⁾	7950 ⁽¹⁾	9800 ⁽¹⁾	5300	7050	3400	4950	2450	4400 ⁽¹⁾	2300	7.81
-3.0 m			9300 ⁽¹⁾	9300 ⁽¹⁾	8750 ⁽¹⁾	5400	6550 ⁽¹⁾	3500			5300 ⁽¹⁾	2850	6.92
-4.5 m					6350 ⁽¹⁾	5650					4950 ⁽¹⁾	4250	5.44

(1) Capacity is limited by hydraulics rather than by a tipping load. Lift capacities are based on "ISO 10567" standards. The listed capacities do not exceed 87 percent of the hydraulic lifting capacity or 75 percent of the tipping capacity. Weight of all lifting accessories must be subtracted from the lifting capacities. Lifting capacities are measured when the machine is working on an flat surface.

Table 25

320D LN Excavator with a reach boom, a 2.5 m (8 ft 2 inch) stick, a 0.66 m ³ (0.9 yd ³) bucket, and 500 mm (1 ft 8 inch) triple grouser track shoes														
All lifting capacities are in kilograms. Heavy lift is ON.														
H	R													
	1.5 m		3.0 m		4.5 m		6.0 m		7.5 m		Maximum Reach			
	F	S	F	S	F	S	F	S	F	S	F	S	m	
7.5 m													3350 ⁽¹⁾	6.29
6.0 m							4600 ⁽¹⁾	4250			3250 ⁽¹⁾	2950		7.32
4.5 m							5200 ⁽¹⁾	4100	4750 ⁽¹⁾	2750	3200 ⁽¹⁾	2400		8.02
3.0 m					8450 ⁽¹⁾	5850	6100 ⁽¹⁾	3850	5150 ⁽¹⁾	2650	3250 ⁽¹⁾	2150		8.42
1.5 m					10200 ⁽¹⁾	5450	7050 ⁽¹⁾	3600	5100	2550	3450 ⁽¹⁾	2050		8.52
0.0 m					9850 ⁽¹⁾	5300	7100	3450	5000	2450	3850 ⁽¹⁾	2100		8.32
-1.5 m			8200 ⁽¹⁾	8200 ⁽¹⁾	10200 ⁽¹⁾	5300	7050	3400	4950	2450	4550 ⁽¹⁾	2300		7.81
-3.0 m			9600 ⁽¹⁾	9600 ⁽¹⁾	9050 ⁽¹⁾	5400	6800 ⁽¹⁾	3500			5500 ⁽¹⁾	2850		6.92
-4.5 m					6600 ⁽¹⁾	5650					5150 ⁽¹⁾	4250		5.44

(1) Capacity is limited by hydraulics rather than by a tipping load. Lift capacities are based on "ISO 10567" standards. The listed capacities do not exceed 87 percent of the hydraulic lifting capacity or 75 percent of the tipping capacity. Weight of all lifting accessories must be subtracted from the lifting capacities. Lifting capacities are measured when the machine is working on an flat surface.

Table 26

320D LN Excavator with a reach boom, a 2.5 m (8 ft 2 inch) stick, a 0.66 m ³ (0.9 yd ³) bucket, and 600 mm (1 ft 11 inch) triple grouser track shoes														
All lifting capacities are in kilograms.														
H	R													
	1.5 m		3.0 m		4.5 m		6.0 m		7.5 m		Maximum Reach			
	F	S	F	S	F	S	F	S	F	S	F	S	m	
7.5 m													3200 ⁽¹⁾	6.29
6.0 m							4400 ⁽¹⁾	4300			3150 ⁽¹⁾	2950		7.32
4.5 m							5000 ⁽¹⁾	4100	4550 ⁽¹⁾	2800	3100 ⁽¹⁾	2450		8.02
3.0 m					8150 ⁽¹⁾	5950	5900 ⁽¹⁾	3850	4950 ⁽¹⁾	2700	3150 ⁽¹⁾	2200		8.42
1.5 m					9850 ⁽¹⁾	5500	6800 ⁽¹⁾	3650	5150	2550	3350 ⁽¹⁾	2050		8.52
0.0 m					9550 ⁽¹⁾	5350	7150	3500	5050	2500	3750 ⁽¹⁾	2100		8.32

(continued)

Product Information Section
Lifting Capacities

(Table 26, contd)

-1.5 m			7950 ⁽¹⁾	7950 ⁽¹⁾	9800 ⁽¹⁾	5350	7100	3450	5050	2500	4400 ⁽¹⁾	2350	7.81
-3.0 m			9300 ⁽¹⁾	9300 ⁽¹⁾	8750 ⁽¹⁾	5450	6550 ⁽¹⁾	3550			5300 ⁽¹⁾	2850	6.92
-4.5 m					6350 ⁽¹⁾	5700					4950 ⁽¹⁾	4300	5.44

⁽¹⁾ Capacity is limited by hydraulics rather than by a tipping load. Lift capacities are based on "ISO 10567" standards. The listed capacities do not exceed 87 percent of the hydraulic lifting capacity or 75 percent of the tipping capacity. Weight of all lifting accessories must be subtracted from the lifting capacities. Lifting capacities are measured when the machine is working on an flat surface.

Table 27

320D LN Excavator with a reach boom, a 2.5 m (8 ft 2 inch) stick, a 0.66 m ³ (0.9 yd ³) bucket, and 600 mm (1 ft 11 inch) triple grouser track shoes															
All lifting capacities are in kilograms. Heavy lift is ON.															
H	R														
	1.5 m		3.0 m		4.5 m		6.0 m		7.5 m		Maximum Reach				
	F	S	F	S	F	S	F	S	F	S	F	S	m		
7.5 m													3350 ⁽¹⁾	6.29	
6.0 m							4600 ⁽¹⁾	4300					3250 ⁽¹⁾	2950	7.32
4.5 m							5200 ⁽¹⁾	4100	4750 ⁽¹⁾	2800			3200 ⁽¹⁾	2450	8.02
3.0 m					8450 ⁽¹⁾	5950	6100 ⁽¹⁾	3850	5150 ⁽¹⁾	2700			3250 ⁽¹⁾	2200	8.42
1.5 m					10200 ⁽¹⁾	5500	7050 ⁽¹⁾	3650	5150	2550			3450 ⁽¹⁾	2050	8.52
0.0 m					9850 ⁽¹⁾	5350	7150	3500	5050	2500			3850 ⁽¹⁾	2100	8.32
-1.5 m			8200 ⁽¹⁾	8200 ⁽¹⁾	10200 ⁽¹⁾	5350	7100	3450	5050	2500			4550 ⁽¹⁾	2350	7.81
-3.0 m			9600 ⁽¹⁾	9600 ⁽¹⁾	9050 ⁽¹⁾	5450	6800 ⁽¹⁾	3550					5500 ⁽¹⁾	2850	6.92
-4.5 m					6600 ⁽¹⁾	5700							5150 ⁽¹⁾	4300	5.44

⁽¹⁾ Capacity is limited by hydraulics rather than by a tipping load. Lift capacities are based on "ISO 10567" standards. The listed capacities do not exceed 87 percent of the hydraulic lifting capacity or 75 percent of the tipping capacity. Weight of all lifting accessories must be subtracted from the lifting capacities. Lifting capacities are measured when the machine is working on an flat surface.

Table 28

320D LN Excavator with a reach boom, a 2.9 m (9 ft 6 inch) stick, a 0.58 m ³ (0.8 yd ³) bucket, and 500 mm (1 ft 8 inch) triple grouser track shoes															
All lifting capacities are in kilograms.															
H	R														
	1.5 m (5 ft)		3 m (10 ft)		4.5 m (15 ft)		6 m (20 ft)		7.5 m (25 ft)		Maximum Reach				
	F	S	F	S	F	S	F	S	F	S	F	S	m		
7.5 m													2700 ⁽¹⁾ 2700 ⁽¹⁾	6.81	
6.0 m									3550 ⁽¹⁾	2900			2600 ⁽¹⁾	2600 ⁽¹⁾	7.77
4.5 m (15 ft)							4650 ⁽¹⁾	4150	4300 ⁽¹⁾	2850			2600 ⁽¹⁾	2250	8.43
3.0 m (10 ft)					7550 ⁽¹⁾	6050	5600 ⁽¹⁾	3900	4750 ⁽¹⁾	2700			2650 ⁽¹⁾	2000	8.82
1.5 m					9450 ⁽¹⁾	5550	6550 ⁽¹⁾	3650	5100	2600			2800 ⁽¹⁾	1900	8.91
0.0 m					10200 ⁽¹⁾	5350	7100	3500	5000	2500			3100 ⁽¹⁾	1950	8.72

(continued)

(Table 28, contd)

-1.5 m			8500 ⁽¹⁾	8500 ⁽¹⁾	10050 ⁽¹⁾	5300	7050	3450	4950	2450	3600 ⁽¹⁾	2150	8.24
-3.0 m			9050 ⁽¹⁾	9050 ⁽¹⁾	9200 ⁽¹⁾	5350	6850 ⁽¹⁾	3450			4550 ⁽¹⁾	2550	7.4
-4.5 m					7300 ⁽¹⁾	5550					5000 ⁽¹⁾	3600	6.05

⁽¹⁾ The load is limited by the hydraulic lifting capacity rather than the tipping load. The loads are in compliance with the hydraulic excavator lift capacity standard "ISO 10567:2007". The listed capacities do not exceed 87 percent of the hydraulic lifting capacity or 75 percent of the tipping load. Weight of all lifting accessories must be subtracted from the lifting capacities. Lifting capacities are based on the machine standing on a firm, uniform supporting surface.

Table 29

320D LN Excavator with a reach boom, a 2.9 m (9 ft 6 inch) stick, a 0.58 m ³ (0.8 yd ³) bucket, and 500 mm (1 ft 8 inch) triple grouser track shoes													
All lifting capacities are in kilograms. Heavy lift is ON.													
H	R												
	1.5 m		3.0 m		4.5 m		6.0 m		7.5 m		Maximum Reach		
	F	S	F	S	F	S	F	S	F	S	F	S	m
7.5 m											2800 ⁽¹⁾ 2800 ⁽¹⁾		6.81
6.0 m									3700 ⁽¹⁾	2900	2700 ⁽¹⁾	2700	7.77
4.5 m							4850 ⁽¹⁾	4150	4500 ⁽¹⁾	2850	2700 ⁽¹⁾	2250	8.43
3.0 m					7800 ⁽¹⁾	6050	5800 ⁽¹⁾	3900	4950 ⁽¹⁾	2700	2750 ⁽¹⁾	2000	8.82
1.5 m					9800 ⁽¹⁾	5550	6800 ⁽¹⁾	3650	5100	2600	2900 ⁽¹⁾	1900	8.91
0.0 m					10550 ⁽¹⁾	5300	7100	3500	5000	2500	3200 ⁽¹⁾	1950	8.72
-1.5 m			8750 ⁽¹⁾	8750 ⁽¹⁾	10400 ⁽¹⁾	5300	7050	3450	4950	2450	3750 ⁽¹⁾	2150	8.24
-3.0 m			9300 ⁽¹⁾	9300 ⁽¹⁾	9550 ⁽¹⁾	5350	7100	3450			4700 ⁽¹⁾	2550	7.4
-4.5 m					7550 ⁽¹⁾	5550					5200 ⁽¹⁾	3600	6.05

⁽¹⁾ The load is limited by the hydraulic lifting capacity rather than the tipping load. The loads are in compliance with the hydraulic excavator lift capacity standard "ISO 10567:2007". The listed capacities do not exceed 87 percent of the hydraulic lifting capacity or 75 percent of the tipping load. Weight of all lifting accessories must be subtracted from the lifting capacities. Lifting capacities are based on the machine standing on a firm, uniform supporting surface.

Table 30

320D LN Excavator with a reach boom, a 2.9 m (9 ft 6 inch) stick, a 0.58 m ³ (0.8 yd ³) bucket, and 600 mm (1 ft 11 inch) triple grouser track shoes													
All lifting capacities are in kilograms.													
H	R												
	1.5 m		3.0 m		4.5 m		6.0 m		7.5 m		Maximum Reach		
	F	S	F	S	F	S	F	S	F	S	F	S	m
7.5 m											2700 ⁽¹⁾ 2700 ⁽¹⁾		6.81
6.0 m									3550 ⁽¹⁾	2900	2600 ⁽¹⁾	2600	7.77
4.5 m							4650 ⁽¹⁾	4200	4300 ⁽¹⁾	2850	2600 ⁽¹⁾	2300	8.43
3.0 m					7550 ⁽¹⁾	6100	5600 ⁽¹⁾	3950	4750 ⁽¹⁾	2750	2650 ⁽¹⁾	2050	8.82
1.5 m					9450 ⁽¹⁾	5600	6550 ⁽¹⁾	3700	5200	2600	2800 ⁽¹⁾	1950	8.91
0.0 m					10200 ⁽¹⁾	5400	7200	3550	5100	2500	3100 ⁽¹⁾	1950	8.72

(continued)

Product Information Section
Lifting Capacities

(Table 30, contd)

-1.5 m			8500 ⁽¹⁾	8500 ⁽¹⁾	10050 ⁽¹⁾	5350	7150	3500	5050	2500	3600 ⁽¹⁾	2150	8.24
-3.0 m			9050 ⁽¹⁾	9050 ⁽¹⁾	9200 ⁽¹⁾	5450	6850 ⁽¹⁾	3500			4550 ⁽¹⁾	2600	7.4
-4.5 m					7300 ⁽¹⁾	5600					5000 ⁽¹⁾	3650	6.05

⁽¹⁾ The load is limited by the hydraulic lifting capacity rather than the tipping load. The loads are in compliance with the hydraulic excavator lift capacity standard "ISO 10567:2007". The listed capacities do not exceed 87 percent of the hydraulic lifting capacity or 75 percent of the tipping load. Weight of all lifting accessories must be subtracted from the lifting capacities. Lifting capacities are based on the machine standing on a firm, uniform supporting surface.

Table 31

320D LN Excavator with a reach boom, a 2.9 m (9 ft 6 inch) stick, a 0.58 m ³ (0.8 yd ³) bucket, and 600 mm (1 ft 11 inch) triple grouser track shoes													
All lifting capacities are in kilograms. Heavy lift is ON.													
H	R												
	1.5 m		3.0 m		4.5 m		6.0 m		7.5 m		Maximum Reach		
	F	S	F	S	F	S	F	S	F	S	F	S	m
7.5 m												2800 ⁽¹⁾ 2800	6.81
6.0 m									3700 ⁽¹⁾	2900	2700 ⁽¹⁾	2700	7.77
4.5 m							4850 ⁽¹⁾	4200	4500 ⁽¹⁾	2850	2700 ⁽¹⁾	2300	8.43
3.0 m					7800 ⁽¹⁾	6100	5800 ⁽¹⁾	3950	4950 ⁽¹⁾	2750	2750 ⁽¹⁾	2050	8.82
1.5 m					9800 ⁽¹⁾	5600	6800 ⁽¹⁾	3700	5200	2600	2900 ⁽¹⁾	1950	8.91
0.0 m					10550 ⁽¹⁾	5400	7200	3550	5100	2500	3200 ⁽¹⁾	1950	8.72
-1.5 m			8750 ⁽¹⁾	8750 ⁽¹⁾	10400 ⁽¹⁾	5350	7150	3500	5050	2500	3750 ⁽¹⁾	2150	8.24
-3.0 m			9300 ⁽¹⁾	9300 ⁽¹⁾	9550 ⁽¹⁾	5450	7150 ⁽¹⁾	3550			4700 ⁽¹⁾	2600	7.4
-4.5 m					7550 ⁽¹⁾	5600					5200 ⁽¹⁾	3650	6.05

⁽¹⁾ The load is limited by the hydraulic lifting capacity rather than the tipping load. The loads are in compliance with the hydraulic excavator lift capacity standard "ISO 10567:2007". The listed capacities do not exceed 87 percent of the hydraulic lifting capacity or 75 percent of the tipping load. Weight of all lifting accessories must be subtracted from the lifting capacities. Lifting capacities are based on the machine standing on a firm, uniform supporting surface.

Table 32

320D Excavator with a mass boom, a 2.4 m (7 ft 10 inch) stick, a 0.79 m ³ (1.03 yd ³) bucket, and 600 mm (1 ft 11 inch) triple grouser track shoes													
All lifting capacities are in kilograms.													
H	R												
	1.5 m		3.0 m		4.5 m		6.0 m		7.5 m		Maximum Reach		
	F	S	F	S	F	S	F	S	F	S	F	S	m
7.5 m												4350 ⁽¹⁾	5.4
6.0 m							4550 ⁽¹⁾	4000			4300 ⁽¹⁾	3300	6.51
4.5 m							4900 ⁽¹⁾	3850			4050	2500	7.42
3.0 m					7650 ⁽¹⁾	5800	5700 ⁽¹⁾	3600	3850	2350	3500	2150	7.86
1.5 m					8800	5300	5450	3350	3750	2250	3350	2000	7.96
0.0 m					8600	5100	5300	3200	3650	2150	3450	2050	7.75

(continued)

(Table 32, contd)

-1.5 m			11900 ⁽¹⁾	10550	8600	5100	5250	3150			3950	2350	7.18
-3.0 m			10500 ⁽¹⁾	10500 ⁽¹⁾	7950 ⁽¹⁾	5250	5350	3250			5150	3150	6.17
-4.5 m													

⁽¹⁾ Capacity is limited by hydraulics rather than by a tipping load. Lift capacities are based on "ISO 10567" standards. The listed capacities do not exceed 87 percent of the hydraulic lifting capacity or 75 percent of the tipping capacity. Weight of all lifting accessories must be subtracted from the lifting capacities. Lifting capacities are measured when the machine is working on an flat surface.

Table 33

320D Excavator with a mass boom, a 2.4 m (7 ft 10 inch) stick, a 0.79 m ³ (1.03 yd ³) bucket, and 600 mm (1 ft 11 inch) triple grouser track shoes															
All lifting capacities are in kilograms. Heavy lift is ON.															
H	R														
	1.5 m		3.0 m		4.5 m		6.0 m		7.5 m		Maximum Reach				
	F	S	F	S	F	S	F	S	F	S	F	S	m		
7.5 m													4500 ⁽¹⁾	5.4	
6.0 m							4700 ⁽¹⁾	4000					4450 ⁽¹⁾	3300	6.51
4.5 m							5050 ⁽¹⁾	3850					4050	2500	7.42
3.0 m					7950 ⁽¹⁾	5800	5700	3600	3850	2350	3500	2150		7.86	
1.5 m					8800	5300	5450	3350	3750	2250	3350	2000		7.96	
0.0 m					8600	5100	5300	3200	3650	2150	3450	2050		7.75	
-1.5 m			12300 ⁽¹⁾	10550	8600	5100	5250	3150			3950	2350		7.18	
-3.0 m			10900 ⁽¹⁾	10750 ⁽¹⁾	8250 ⁽¹⁾	5250	5350	3250			5150	3150		6.17	
-4.5 m															

⁽¹⁾ Capacity is limited by hydraulics rather than by a tipping load. Lift capacities are based on "ISO 10567" standards. The listed capacities do not exceed 87 percent of the hydraulic lifting capacity or 75 percent of the tipping capacity. Weight of all lifting accessories must be subtracted from the lifting capacities. Lifting capacities are measured when the machine is working on an flat surface.

Table 34

320D Excavator with a mass boom, a 2.4 m (7 ft 10 inch) stick, a 0.79 m ³ (1.03 yd ³) bucket, and 700 mm (2 ft 4 inch) triple grouser track shoes															
All lifting capacities are in kilograms.															
H	R														
	1.5 m		3.0 m		4.5 m		6.0 m		7.5 m		Maximum Reach				
	F	S	F	S	F	S	F	S	F	S	F	S	m		
7.5 m													4350 ⁽¹⁾	5.4	
6.0 m							4550 ⁽¹⁾	4050					4300 ⁽¹⁾	3400	6.51
4.5 m							4900 ⁽¹⁾	3900					4050 ⁽¹⁾	2550	7.42
3.0 m					7650 ⁽¹⁾	5900	5700 ⁽¹⁾	3650	3900	2400	3600	2200		7.86	
1.5 m					8950	5400	5550	3400	3800	2300	3400	2050		7.96	
0.0 m					8750	5200	5400	3250	3700	2200	3550	2100		7.75	
-1.5 m			11900 ⁽¹⁾	10750	8750	5200	5350	3200			4000	2400		7.18	

(continued)

Product Information Section
Lifting Capacities

(Table 34, contd)

-3.0 m			10500 ⁽¹⁾	10500 ⁽¹⁾	7950 ⁽¹⁾	5300	5450	3350			5250	3200	6.17
-4.5 m													

⁽¹⁾ Capacity is limited by hydraulics rather than by a tipping load. Lift capacities are based on "ISO 10567" standards. The listed capacities do not exceed 87 percent of the hydraulic lifting capacity or 75 percent of the tipping capacity. Weight of all lifting accessories must be subtracted from the lifting capacities. Lifting capacities are measured when the machine is working on an flat surface.

Table 35

320D Excavator with a mass boom, a 2.4 m (7 ft 10 inch) stick, a 0.79 m ³ (1.03 yd ³) bucket, and 700 mm (2 ft 4 inch) triple grouser track shoes															
All lifting capacities are in kilograms.															
Heavy Lift is ON.															
H	R														
	1.5 m		3.0 m		4.5 m		6.0 m		7.5 m		Maximum Reach				
	F	S	F	S	F	S	F	S	F	S	F	S	m		
7.5 m													4500 ⁽¹⁾	5.4	
6.0 m							4700 ⁽¹⁾	4050					4450 ⁽¹⁾	3400	6.51
4.5 m							5050 ⁽¹⁾	3900					4100	2550	7.42
3.0 m					7650 ⁽¹⁾	5900	5800 ⁽¹⁾	3650	3900	2400	3600	2200			7.86
1.5 m					8950	5400	5550	3400	3800	2300	3400	2050			7.96
0.0 m					8750	5200	5400	3250	3700	2200	3550	2100			7.75
-1.5 m			12300 ⁽¹⁾	10750	8750	5200	5350	3200			4000	2400			7.18
-3.0 m			10900 ⁽¹⁾	10900	8250 ⁽¹⁾	5300	5450	3350			5250	3200			6.17
-4.5 m															

⁽¹⁾ Capacity is limited by hydraulics rather than by a tipping load. Lift capacities are based on "ISO 10567" standards. The listed capacities do not exceed 87 percent of the hydraulic lifting capacity or 75 percent of the tipping capacity. Weight of all lifting accessories must be subtracted from the lifting capacities. Lifting capacities are measured when the machine is working on an flat surface.

Table 36

320D Excavator with a mass boom, a 2.4 m (7 ft 10 inch) stick, a 0.79 m ³ (1.03 yd ³) bucket, and 790 mm (2 ft 7 inch) triple grouser track shoes															
All lifting capacities are in kilograms.															
H	R														
	1.5 m		3.0 m		4.5 m		6.0 m		7.5 m		Maximum Reach				
	F	S	F	S	F	S	F	S	F	S	F	S	m		
7.5 m													4350 ⁽¹⁾	5.4	
6.0 m							4550 ⁽¹⁾	4100					4300 ⁽¹⁾	3400	6.51
4.5 m							4900 ⁽¹⁾	3950					4050 ⁽¹⁾	2600	7.42
3.0 m					7650 ⁽¹⁾	5950	5700 ⁽¹⁾	3700	3950	2450	3650	2200			7.86
1.5 m					9050	5450	5600	3450	3850	2300	3450	2050			7.96
0.0 m					8850	5250	5450	3300	3750	2250	3600	2150			7.75
-1.5 m			11900 ⁽¹⁾	10850	8850	5250	5400	3250			4050	2450			7.18
-3.0 m			10500 ⁽¹⁾	10500 ⁽¹⁾	7950 ⁽¹⁾	5400	5550	3350			5300	3250			6.17
-4.5 m															

⁽¹⁾ Capacity is limited by hydraulics rather than by a tipping load. Lift capacities are based on "ISO 10567" standards. The listed capacities do not exceed 87 percent of the hydraulic lifting capacity or 75 percent of the tipping capacity. Weight of all lifting accessories must be subtracted from the lifting capacities. Lifting capacities are measured when the machine is working on an flat surface.

Table 37

320D Excavator with a mass boom, a 2.4 m (7 ft 10 inch) stick, a 0.79 m ³ (1.03 yd ³) bucket, and 790 mm (2 ft 7 inch) triple grouser track shoes															
All lifting capacities are in kilograms. Heavy Lift is ON.															
H	R														
	1.5 m		3.0 m		4.5 m		6.0 m		7.5 m		Maximum Reach				
	F	S	F	S	F	S	F	S	F	S	F	S	m		
7.5 m													4500 ⁽¹⁾	5.4	
6.0 m							4700 ⁽¹⁾	4100					4450 ⁽¹⁾	3400	6.51
4.5 m							5050 ⁽¹⁾	3950					4150	2600	7.42
3.0 m					7950 ⁽¹⁾	5950	5900	3700	3950	2450			3650	2200	7.86
1.5 m					9050	5450	5600	3450	3850	2300			3450	2050	7.96
0.0 m					8850	5250	5450	3300	3750	2250			3600	2150	7.75
-1.5 m			12300 ⁽¹⁾	10850	8850	5250	5400	3250					4050	2450	7.18
-3.0 m			10900 ⁽¹⁾	10900 ⁽¹⁾	8250 ⁽¹⁾	5400	5550	3350					5300	3250	6.17
-4.5 m															

⁽¹⁾ Capacity is limited by hydraulics rather than by a tipping load. Lift capacities are based on "ISO 10567" standards. The listed capacities do not exceed 87 percent of the hydraulic lifting capacity or 75 percent of the tipping capacity. Weight of all lifting accessories must be subtracted from the lifting capacities. Lifting capacities are measured when the machine is working on an flat surface.

Table 38

320D Excavator with a reach boom, a 2.5 m (8 ft 2 inch) stick, a 0.66 m ³ (0.9 yd ³) bucket, and 600 mm (1 ft 11 inch) triple grouser track shoes															
All lifting capacities are in kilograms.															
H	R														
	1.5 m		3.0 m		4.5 m		6.0 m		7.5 m		Maximum Reach				
	F	S	F	S	F	S	F	S	F	S	F	S	m		
7.5 m													3200 ⁽¹⁾	6.29	
6.0 m							4400 ⁽¹⁾	4250					3150 ⁽¹⁾	2950	7.32
4.5 m							5000 ⁽¹⁾	4100	4250	2750			3100 ⁽¹⁾	2400	8.02
3.0 m					8150 ⁽¹⁾	5950	5900 ⁽¹⁾	3850	4150	2650			3150 ⁽¹⁾	2150	8.42
1.5 m					9000	5500	5700	3600	4000	2550			3250	2050	8.52
0.0 m					8800	5350	5550	3450	3900	2450			3350	2050	8.32
-1.5 m			7950 ⁽¹⁾	7950 ⁽¹⁾	8850	5350	5500	3450	3900	2450			3700	2300	7.81
-3.0 m			9300 ⁽¹⁾	9300 ⁽¹⁾	8750 ⁽¹⁾	5450	5550	3500					4500	2850	6.92
-4.5 m					6350 ⁽¹⁾	5700							4950 ⁽¹⁾	4300	5.44

⁽¹⁾ Capacity is limited by hydraulics rather than by a tipping load. Lift capacities are based on "ISO 10567" standards. The listed capacities do not exceed 87 percent of the hydraulic lifting capacity or 75 percent of the tipping capacity. Weight of all lifting accessories must be subtracted from the lifting capacities. Lifting capacities are measured when the machine is working on an flat surface.

Product Information Section
Lifting Capacities

Table 39

320D Excavator with a reach boom, a 2.5 m (8 ft 2 inch) stick, a 0.66 m ³ (0.9 yd ³) bucket, and 600 mm (1 ft 11 inch) triple grouser track shoes															
All lifting capacities are in kilograms. Heavy Lift is ON.															
H	R														
	1.5 m		3.0 m		4.5 m		6.0 m		7.5 m		Maximum Reach				
	F	S	F	S	F	S	F	S	F	S	F	S	m		
7.5 m													3350 ⁽¹⁾	6.29	
6.0 m							4600 ⁽¹⁾	4250					3250 ⁽¹⁾	2950	7.32
4.5 m							5200 ⁽¹⁾	4100	4250	2750			3200 ⁽¹⁾	2400	8.02
3.0 m					8450 ⁽¹⁾	5950	5950	3850	4150	2650			3250 ⁽¹⁾	2150	8.42
1.5 m					9000	5500	5700	3600	4000	2550			3250	2050	8.52
0.0 m					8800	5350	5550	3450	3900	2450			3350	2050	8.32
-1.5 m			8200 ⁽¹⁾	8200 ⁽¹⁾	8850	5350	5500	3450	3900	2450			3700	2300	7.81
-3.0 m			9600 ⁽¹⁾	9600 ⁽¹⁾	8950 ⁽¹⁾	5450	5550	3500					4500	2850	6.92
-4.5 m					6600 ⁽¹⁾	5700							5150 ⁽¹⁾	4300	5.44

⁽¹⁾ Capacity is limited by hydraulics rather than by a tipping load. Lift capacities are based on "ISO 10567" standards. The listed capacities do not exceed 87 percent of the hydraulic lifting capacity or 75 percent of the tipping capacity. Weight of all lifting accessories must be subtracted from the lifting capacities. Lifting capacities are measured when the machine is working on an flat surface.

Table 40

320D Excavator with a reach boom, a 2.5 m (8 ft 2 inch) stick, a 0.66 m ³ (0.9 yd ³) bucket, and 700 mm (2 ft 4 inch) triple grouser track shoes															
All lifting capacities are in kilograms.															
H	R														
	1.5 m		3.0 m		4.5 m		6.0 m		7.5 m		Maximum Reach				
	F	S	F	S	F	S	F	S	F	S	F	S	m		
7.5 m													3200 ⁽¹⁾	6.29	
6.0 m							4400 ⁽¹⁾	4350					3150 ⁽¹⁾	3000	7.32
4.5 m							5000 ⁽¹⁾	4150	4300	2800			3100 ⁽¹⁾	2450	8.02
3.0 m					8150 ⁽¹⁾	6050	5900 ⁽¹⁾	3900	4200	2700			3150 ⁽¹⁾	2150	8.42
1.5 m					9150	5600	5800	3650	4100	2600			3300	2050	8.52
0.0 m					8950	5450	5650	3550	4000	2500			3400	2100	8.32
-1.5 m			7950 ⁽¹⁾	7950 ⁽¹⁾	9000	5450	5600	3500	4000	2500			3750	2350	7.81
-3.0 m			9300 ⁽¹⁾	9300 ⁽¹⁾	8750 ⁽¹⁾	5550	5650	3550					4550	2900	6.92
-4.5 m					6350 ⁽¹⁾	5800							4950 ⁽¹⁾	4350	5.44

⁽¹⁾ Capacity is limited by hydraulics rather than by a tipping load. Lift capacities are based on "ISO 10567" standards. The listed capacities do not exceed 87 percent of the hydraulic lifting capacity or 75 percent of the tipping capacity. Weight of all lifting accessories must be subtracted from the lifting capacities. Lifting capacities are measured when the machine is working on an flat surface.

Table 41

320D Excavator with a reach boom, a 2.5 m (8 ft 2 inch) stick, a 0.66 m ³ (0.9 yd ³) bucket, and 700 mm (2 ft 4 inch) triple grouser track shoes															
All lifting capacities are in kilograms. Heavy Lift is ON.															
H	R														
	1.5 m		3.0 m		4.5 m		6.0 m		7.5 m		Maximum Reach				
	F	S	F	S	F	S	F	S	F	S	F	S	m		
7.5 m													3350 ⁽¹⁾	6.29	
6.0 m							4600 ⁽¹⁾	4350					3250 ⁽¹⁾	3000	7.32
4.5 m							5200 ⁽¹⁾	4150	4300	2800			3200 ⁽¹⁾	2450	8.02
3.0 m					8450 ⁽¹⁾	6050	6050	3900	4200	2700			3250 ⁽¹⁾	2150	8.42
1.5 m					9150	5600	5800	3650	4100	2600			3300	2050	8.52
0.0 m					8950	5450	5650	3550	4000	2500			3400	2100	8.32
-1.5 m			8200 ⁽¹⁾	8200 ⁽¹⁾	9000	5450	5600	3500	4000	2500			3750	2350	7.81
-3.0 m			9600 ⁽¹⁾	9600 ⁽¹⁾	9050 ⁽¹⁾	5550	5650	3550					4550	2900	6.92
-4.5 m					6600 ⁽¹⁾	5800							5150 ⁽¹⁾	4350	5.44

⁽¹⁾ Capacity is limited by hydraulics rather than by a tipping load. Lift capacities are based on "ISO 10567" standards. The listed capacities do not exceed 87 percent of the hydraulic lifting capacity or 75 percent of the tipping capacity. Weight of all lifting accessories must be subtracted from the lifting capacities. Lifting capacities are measured when the machine is working on an flat surface.

Table 42

320D Excavator with a reach boom, a 2.5 m (8 ft 2 inch) stick, a 0.66 m ³ (0.9 yd ³) bucket, and 790 mm (2 ft 7 inch) triple grouser track shoes															
All lifting capacities are in kilograms.															
H	R														
	1.5 m		3.0 m		4.5 m		6.0 m		7.5 m		Maximum Reach				
	F	S	F	S	F	S	F	S	F	S	F	S	m		
7.5 m													3200 ⁽¹⁾	6.29	
6.0 m							4400 ⁽¹⁾	4400					3150 ⁽¹⁾	3000	7.32
4.5 m							5000 ⁽¹⁾	4200	4350	2850			3100 ⁽¹⁾	2500	8.02
3.0 m					8150 ⁽¹⁾	6100	5900 ⁽¹⁾	3950	4250	2750			3150 ⁽¹⁾	2200	8.42
1.5 m					9250	5650	5850	3700	4150	2600			3350 ⁽¹⁾	2100	8.52
0.0 m					9050	5500	5700	3550	4050	2550			3450	2150	8.32
-1.5 m			7950 ⁽¹⁾	7950 ⁽¹⁾	9100	5500	5650	3550	4000	2500			3800	2350	7.81
-3.0 m			9300 ⁽¹⁾	9300 ⁽¹⁾	8750 ⁽¹⁾	5600	5750	3600					4650	2900	6.92
-4.5 m					6350 ⁽¹⁾	5850							4950 ⁽¹⁾	4400	5.44

⁽¹⁾ Capacity is limited by hydraulics rather than by a tipping load. Lift capacities are based on "ISO 10567" standards. The listed capacities do not exceed 87 percent of the hydraulic lifting capacity or 75 percent of the tipping capacity. Weight of all lifting accessories must be subtracted from the lifting capacities. Lifting capacities are measured when the machine is working on an flat surface.

Product Information Section
Lifting Capacities

Table 43

320D Excavator with a reach boom, a 2.5 m (8 ft 2 inch) stick, a 0.66 m ³ (0.9 yd ³) bucket, and 790 mm (2 ft 7 inch) triple grouser track shoes															
All lifting capacities are in kilograms. Heavy Lift is ON.															
H	R														
	1.5 m		3.0 m		4.5 m		6.0 m		7.5 m		Maximum Reach				
	F	S	F	S	F	S	F	S	F	S	F	S	m		
7.5 m													3350 ⁽¹⁾	6.29	
6.0 m							4600 ⁽¹⁾	4400					3250 ⁽¹⁾	3000	7.32
4.5 m							5200 ⁽¹⁾	4200	4350	2850			3200 ⁽¹⁾	2500	8.02
3.0 m					8450 ⁽¹⁾	6100	6100 ⁽¹⁾	3950	4250	2750			3250 ⁽¹⁾	2200	8.42
1.5 m					9250	5650	5850	3700	4150	2600			3350	2100	8.52
0.0 m					9050	5500	5700	3550	4050	2550			3450	2150	8.32
-1.5 m			8200 ⁽¹⁾	8200 ⁽¹⁾	9100	5500	5650	3550	4000	2500			3800	2350	7.81
-3.0 m			9600 ⁽¹⁾	9600 ⁽¹⁾	9050 ⁽¹⁾	5600	5750	3600					4650	2900	6.92
-4.5 m					6600 ⁽¹⁾	5850							5150 ⁽¹⁾	4400	5.44

⁽¹⁾ Capacity is limited by hydraulics rather than by a tipping load. Lift capacities are based on "ISO 10567" standards. The listed capacities do not exceed 87 percent of the hydraulic lifting capacity or 75 percent of the tipping capacity. Weight of all lifting accessories must be subtracted from the lifting capacities. Lifting capacities are measured when the machine is working on an flat surface.

Table 44

320D Excavator with a reach boom, a 2.9 m (9 ft 6 inch) stick, a 0.58 m ³ (0.8 yd ³) bucket, and 600 mm (1 ft 11 inch) triple grouser track shoes															
All lifting capacities are in kilograms.															
H	R														
	1.5 m		3.0 m		4.5 m		6.0 m		7.5 m		Maximum Reach				
	F	S	F	S	F	S	F	S	F	S	F	S	m		
7.5 m													2700 ⁽¹⁾	6.81	
6.0 m									3550 ⁽¹⁾	2900			2600 ⁽¹⁾	7.77	
4.5 m							4650 ⁽¹⁾	4200	4300 ⁽¹⁾	2800			2600 ⁽¹⁾	2250	8.43
3.0 m					7550 ⁽¹⁾	6150	5600 ⁽¹⁾	3950	4200	2700			2650 ⁽¹⁾	2000	8.82
1.5 m					9100	5600	5750	3650	4050	2550			2800 ⁽¹⁾	1900	8.91
0.0 m					8850	5400	5600	3500	3950	2450			3100 ⁽¹⁾	1950	8.72
-1.5 m			8500 ⁽¹⁾	8500 ⁽¹⁾	8850	5350	5500	3450	3900	2450			3400	2100	8.24
-3.0 m			9050 ⁽¹⁾	9050 ⁽¹⁾	8900	5450	5550	3450					4050	2550	7.4
-4.5 m					7300 ⁽¹⁾	5650							5000 ⁽¹⁾	3600	6.05

⁽¹⁾ Capacity is limited by hydraulics rather than by a tipping load. Lift capacities are based on "ISO 10567" standards. The listed capacities do not exceed 87 percent of the hydraulic lifting capacity or 75 percent of the tipping capacity. Weight of all lifting accessories must be subtracted from the lifting capacities. Lifting capacities are measured when the machine is working on an flat surface.

Table 45

320D Excavator with a reach boom, a 2.9 m (9 ft 6 inch) stick, a 0.58 m ³ (0.8 yd ³) bucket, and 600 mm (1 ft 11 inch) triple grouser track shoes													
All lifting capacities are in kilograms. Heavy Lift is ON.													
H	R												
	1.5 m		3.0 m		4.5 m		6.0 m		7.5 m		Maximum Reach		
	F	S	F	S	F	S	F	S	F	S	F	S	m
7.5 m											2800 ⁽¹⁾		6.81
6.0 m									3700 ⁽¹⁾	2900	2700 ⁽¹⁾	2650	7.77
4.5 m							4850 ⁽¹⁾	4200	4300	2800	2700 ⁽¹⁾	2250	8.43
3.0 m					7800 ⁽¹⁾	6150	5800 ⁽¹⁾	3950	4200	2700	2750 ⁽¹⁾	2000	8.82
1.5 m					9100	5600	5750	3650	4050	2550	2900 ⁽¹⁾	1900	8.91
0.0 m					8850	5400	5600	3500	3950	2450	3100	1950	8.72
-1.5 m			8750 ⁽¹⁾	8750 ⁽¹⁾	8850	5350	5500	3450	3900	2450	3400	2100	8.24
-3.0 m			9300 ⁽¹⁾	9300 ⁽¹⁾	8900	5450	5550	3450			4050	2550	7.4
-4.5 m					7550 ⁽¹⁾	5650					5200 ⁽¹⁾	3600	6.05

⁽¹⁾ Capacity is limited by hydraulics rather than by a tipping load. Lift capacities are based on "ISO 10567" standards. The listed capacities do not exceed 87 percent of the hydraulic lifting capacity or 75 percent of the tipping capacity. Weight of all lifting accessories must be subtracted from the lifting capacities. Lifting capacities are measured when the machine is working on an flat surface.

Table 46

320D Excavator with a reach boom, a 2.9 m (9 ft 6 inch) stick, a 0.58 m ³ (0.8 yd ³) bucket, and 700 mm (2 ft 4 inch) triple grouser track shoes													
All lifting capacities are in kilograms.													
H	R												
	1.5 m		3.0 m		4.5 m		6.0 m		7.5 m		Maximum Reach		
	F	S	F	S	F	S	F	S	F	S	F	S	m
7.5 m											2700 ⁽¹⁾		6.81
6.0 m									3550 ⁽¹⁾	2950	2600 ⁽¹⁾		7.77
4.5 m							4650 ⁽¹⁾	4250	4300 ⁽¹⁾	2850	2600 ⁽¹⁾	2250	8.43
3.0 m					7550 ⁽¹⁾	6250	5600 ⁽¹⁾	4000	4250	2750	2650 ⁽¹⁾	2050	8.82
1.5 m					9250	5700	5850	3750	4100	2600	2800 ⁽¹⁾	1950	8.91
0.0 m					9000	5500	5700	3550	4000	2500	3100 ⁽¹⁾	1950	8.72
-1.5 m			8500 ⁽¹⁾	8500 ⁽¹⁾	9000	5450	5600	3500	4000	2500	3450	2150	8.24
-3.0 m			9050 ⁽¹⁾	9050 ⁽¹⁾	9050	5550	5650	3550			4100	2600	7.4
-4.5 m					7300 ⁽¹⁾	5700					5000 ⁽¹⁾	3650	6.05

⁽¹⁾ Capacity is limited by hydraulics rather than by a tipping load. Lift capacities are based on "ISO 10567" standards. The listed capacities do not exceed 87 percent of the hydraulic lifting capacity or 75 percent of the tipping capacity. Weight of all lifting accessories must be subtracted from the lifting capacities. Lifting capacities are measured when the machine is working on an flat surface.

Product Information Section
Lifting Capacities

Table 47

320D Excavator with a reach boom, a 2.9 m (9 ft 6 inch) stick, a 0.58 m ³ (0.8 yd ³) bucket, and 700 mm (2 ft 4 inch) triple grouser track shoes														
All lifting capacities are in kilograms. Heavy Lift is ON.														
H	R													
	1.5 m		3.0 m		4.5 m		6.0 m		7.5 m		Maximum Reach			
	F	S	F	S	F	S	F	S	F	S	F	S	m	
7.5 m													2800 ⁽¹⁾	6.81
6.0 m									3700 ⁽¹⁾	2950			2700 ⁽¹⁾	7.77
4.5 m							4850 ⁽¹⁾	4250	4400	2850	2700 ⁽¹⁾	2250		8.43
3.0 m					7800 ⁽¹⁾	6250	5800 ⁽¹⁾	4000	4250	2750	2750 ⁽¹⁾	2050		8.82
1.5 m					9250	5700	5850	3750	4100	2600	2900 ⁽¹⁾	1950		8.91
0.0 m					9000	5500	5700	3550	4000	2500	3150	1950		8.72
-1.5 m			8750 ⁽¹⁾	8750 ⁽¹⁾	9000	5450	5600	3500	4000	2500	3450	2150		8.24
-3.0 m			9300 ⁽¹⁾	9300 ⁽¹⁾	9050	5550	5650	3550			4100	2600		7.4
-4.5 m					7550 ⁽¹⁾	5700					5200 ⁽¹⁾	3650		6.05

⁽¹⁾ Capacity is limited by hydraulics rather than by a tipping load. Lift capacities are based on "ISO 10567" standards. The listed capacities do not exceed 87 percent of the hydraulic lifting capacity or 75 percent of the tipping capacity. Weight of all lifting accessories must be subtracted from the lifting capacities. Lifting capacities are measured when the machine is working on an flat surface.

Table 48

320D Excavator with a reach boom, a 2.9 m (9 ft 6 inch) stick, a 0.58 m ³ (0.8 yd ³) bucket, and 790 mm (2 ft 7 inch) triple grouser track shoes														
All lifting capacities are in kilograms.														
H	R													
	1.5 m		3.0 m		4.5 m		6.0 m		7.5 m		Maximum Reach			
	F	S	F	S	F	S	F	S	F	S	F	S	m	
7.5 m													2700 ⁽¹⁾	6.81
6.0 m									3550 ⁽¹⁾	2950			2600 ⁽¹⁾	7.77
4.5 m							4650 ⁽¹⁾	4300	4300 ⁽¹⁾	2900	2600 ⁽¹⁾	2300		8.43
3.0 m					7550 ⁽¹⁾	6300	5600 ⁽¹⁾	4050	4300	2800	2650 ⁽¹⁾	2050		8.82
1.5 m					9400	5750	5950	3800	4150	2650	2800 ⁽¹⁾	1950		8.91
0.0 m					9100	5550	5750	3600	4050	2550	3100 ⁽¹⁾	2000		8.72
-1.5 m			8500 ⁽¹⁾	8500 ⁽¹⁾	9100	5500	5700	3550	4050	2500	3500	2200		8.24
-3.0 m			9050 ⁽¹⁾	9050 ⁽¹⁾	9150	5600	5700	3600			4150	2600		7.4
-4.5 m					7300 ⁽¹⁾	5800					5000 ⁽¹⁾	3700		6.05

⁽¹⁾ Capacity is limited by hydraulics rather than by a tipping load. Lift capacities are based on "ISO 10567" standards. The listed capacities do not exceed 87 percent of the hydraulic lifting capacity or 75 percent of the tipping capacity. Weight of all lifting accessories must be subtracted from the lifting capacities. Lifting capacities are measured when the machine is working on an flat surface.

Table 49

320D Excavator with a reach boom, a 2.9 m (9 ft 6 inch) stick, a 0.58 m ³ (0.8 yd ³) bucket, and 790 mm (2 ft 7 inch) triple grouser track shoes														
All lifting capacities are in kilograms. Heavy Lift is ON.														
H	R													
	1.5 m		3.0 m		4.5 m		6.0 m		7.5 m		Maximum Reach			
	F	S	F	S	F	S	F	S	F	S	F	S	m	
7.5 m													2800 ⁽¹⁾	6.81
6.0 m									3700 ⁽¹⁾	2950			2700 ⁽¹⁾	7.77
4.5 m							4850 ⁽¹⁾	4300	4450	2900	2700 ⁽¹⁾	2300		8.43
3.0 m					7800 ⁽¹⁾	6300	5800 ⁽¹⁾	4050	4300	2800	2750 ⁽¹⁾	2050		8.82
1.5 m					9400	5750	5950	3800	4150	2650	2900 ⁽¹⁾	1950		8.91
0.0 m					9100	5550	5750	3600	4050	2550	3200 ⁽¹⁾	2000		8.72
-1.5 m			8750 ⁽¹⁾	8750 ⁽¹⁾	9100	5500	5700	3550	4050	2500	3500	2200		8.24
-3.0 m			9300 ⁽¹⁾	9300 ⁽¹⁾	9150	5600	5700	3600			4150	2600		7.4
-4.5 m					7550 ⁽¹⁾	5800					5200 ⁽¹⁾	3700		6.05

⁽¹⁾ Capacity is limited by hydraulics rather than by a tipping load. Lift capacities are based on "ISO 10567" standards. The listed capacities do not exceed 87 percent of the hydraulic lifting capacity or 75 percent of the tipping capacity. Weight of all lifting accessories must be subtracted from the lifting capacities. Lifting capacities are measured when the machine is working on an flat surface.

Table 50

320D Excavator with a reach boom, a 3.9 m (12 ft 10 inch) stick, a 0.58 m ³ (0.8 yd ³) bucket, and 600 mm (1 ft 11 inch) triple grouser track shoes																
All lifting capacities are in kilograms.																
H	R															
	1.5 m		3.0 m		4.5 m		6.0 m		7.5 m		9.0		Maximum Reach			
	F	S	F	S	F	S	F	S	F	S	F	S	F	S	m	
9.0 m															2150 ⁽¹⁾	7.14
7.5 m										2900 ⁽¹⁾					2100 ⁽¹⁾	7.92
6.0 m									3250 ⁽¹⁾	2950					2000 ⁽¹⁾	8.77
4.5 m									3550 ⁽¹⁾	2850	3000 ⁽¹⁾	1950	2000 ⁽¹⁾	1750		9.36
3.0 m					5900 ⁽¹⁾	4650 ⁽¹⁾	4000	4100 ⁽¹⁾	2700	3000	1850	2000 ⁽¹⁾	1550			9.71
1.5 m					8100 ⁽¹⁾	5750	5750 ⁽¹⁾	3650	4000	2500	2900	1800	2100 ⁽¹⁾	1500		9.79
0.0 m					8800	5300	5500	3400	3850	2400	2850	1700	2350 ⁽¹⁾	1500		9.63
-1.5 m	4100 ⁽¹⁾		8050 ⁽¹⁾		8600	5150	5350	3300	3750	2300	2800	1650	2650 ⁽¹⁾	1600		9.19
-3.0 m	8300 ⁽¹⁾		10200 ⁽¹⁾		8600	5150	5350	3250	3750	2300			3100	1900		8.45
-4.5 m			12000 ⁽¹⁾	10600	8500 ⁽¹⁾	5300	5400	3350					4000	2450		7.32

⁽¹⁾ Capacity is limited by hydraulics rather than by a tipping load. Lift capacities are based on "ISO 10567" standards. The listed capacities do not exceed 87 percent of the hydraulic lifting capacity or 75 percent of the tipping capacity. Weight of all lifting accessories must be subtracted from the lifting capacities. Lifting capacities are measured when the machine is working on an flat surface.

Product Information Section
Lifting Capacities

Table 51

320D Excavator with a reach boom, a 3.9 m (12 ft 10 inch) stick, a 0.58 m ³ (0.8 yd ³) bucket, and 600 mm (1 ft 11 inch) triple grouser track shoes															
All lifting capacities are in kilograms. Heavy Lift is ON.															
H	R														
	1.5 m		3.0 m		4.5 m		6.0 m		7.5 m		9.0		Maximum Reach		
	F	S	F	S	F	S	F	S	F	S	F	S	F	S	m
9.0 m														2200 ⁽¹⁾	7.14
7.5 m									3000 ⁽¹⁾	2950				2200 ⁽¹⁾	7.92
6.0 m									3400 ⁽¹⁾	2950				2100 ⁽¹⁾	8.77
4.5 m									3700 ⁽¹⁾	2850	3100	1950	2050 ⁽¹⁾	1750	9.36
3.0 m					6100 ⁽¹⁾		4850 ⁽¹⁾	4000	4200	2700	3000	1850	2100 ⁽¹⁾	1550	9.71
1.5 m					8400 ⁽¹⁾	5750	5800	3650	4000	2500	2900	1800	2200 ⁽¹⁾	1500	9.79
0.0 m					8800	5300	5500	3400	3850	2400	2850	1700	2400 ⁽¹⁾	1500	9.63
-1.5 m	4250 ⁽¹⁾		8300 ⁽¹⁾		8600	5150	5350	3300	3750	2300	2800	1650	2700	1600	9.19
-3.0 m	8550 ⁽¹⁾		10500 ⁽¹⁾	10300	8600	5150	5350	3250	3750	2300			3100	1900	8.45
-4.5 m			12450 ⁽¹⁾	10600	8750	5300	5400	3350					4000	2450	7.32

⁽¹⁾ Capacity is limited by hydraulics rather than by a tipping load. Lift capacities are based on "ISO 10567" standards. The listed capacities do not exceed 87 percent of the hydraulic lifting capacity or 75 percent of the tipping capacity. Weight of all lifting accessories must be subtracted from the lifting capacities. Lifting capacities are measured when the machine is working on an flat surface.

Table 52

320D Excavator with a reach boom, a 3.9 m (12 ft 10 inch) stick, a 0.58 m ³ (0.8 yd ³) bucket, and 700 mm (2 ft 4 inch) triple grouser track shoes															
All lifting capacities are in kilograms.															
H	R														
	1.5 m		3.0 m		4.5 m		6.0 m		7.5 m		9.0		Maximum Reach		
	F	S	F	S	F	S	F	S	F	S	F	S	F	S	m
9.0 m														2150 ⁽¹⁾	7.14
7.5 m									2900 ⁽¹⁾					2100 ⁽¹⁾	7.92
6.0 m									3250 ⁽¹⁾	3000				2000 ⁽¹⁾	8.77
4.5 m									3550 ⁽¹⁾	2900	3000 ⁽¹⁾	1950	2000 ⁽¹⁾	1800	9.36
3.0 m					5900 ⁽¹⁾		4650 ⁽¹⁾	4050	4100 ⁽¹⁾	2750	3050	1900	2000 ⁽¹⁾	1600	9.71
1.5 m					8100 ⁽¹⁾	5850	5750 ⁽¹⁾	3750	4100	2550	3000	1800	2100 ⁽¹⁾	1500	9.79
0.0 m					8950	5400	5600	3500	3950	2400	2900	1750	2350 ⁽¹⁾	1550	9.63
-1.5 m	4100 ⁽¹⁾		8050 ⁽¹⁾		8750	5250	5450	3350	3850	2350	2850	1700	2650 ⁽¹⁾	1650	9.19
-3.0 m	8300 ⁽¹⁾		10200 ⁽¹⁾		8750	5250	5450	3300	3800	2350			3200	1950	8.45
-4.5 m			12000 ⁽¹⁾	10750	8500 ⁽¹⁾	5350	5500	3400					4050	2500	7.32

⁽¹⁾ Capacity is limited by hydraulics rather than by a tipping load. Lift capacities are based on "ISO 10567" standards. The listed capacities do not exceed 87 percent of the hydraulic lifting capacity or 75 percent of the tipping capacity. Weight of all lifting accessories must be subtracted from the lifting capacities. Lifting capacities are measured when the machine is working on an flat surface.

Table 53

320D Excavator with a reach boom, a 3.9 m (12 ft 10 inch) stick, a 0.58 m ³ (0.8 yd ³) bucket, and 700 mm (2 ft 4 inch) triple grouser track shoes															
All lifting capacities are in kilograms. Heavy Lift is ON.															
H	R														
	1.5 m		3.0 m		4.5 m		6.0 m		7.5 m		9.0		Maximum Reach		
	F	S	F	S	F	S	F	S	F	S	F	S	F	S	m
9.0 m														2200 ⁽¹⁾	7.14
7.5 m										3000 ⁽¹⁾				2200 ⁽¹⁾	7.92
6.0 m									3400 ⁽¹⁾	3000				2100 ⁽¹⁾	8.77
4.5 m									3700 ⁽¹⁾	2900	3100 ⁽¹⁾	1950	2050 ⁽¹⁾	1800	9.36
3.0 m					6100 ⁽¹⁾		4850 ⁽¹⁾	4050	4250 ⁽¹⁾	2750	3050	1900	2100 ⁽¹⁾	1600	9.71
1.5 m					8400 ⁽¹⁾	5850	5900	3750	4100	2550	3000	1800	2200 ⁽¹⁾	1500	9.79
0.0 m					8950	5400	5600	3500	3950	2400	2900	1750	2400 ⁽¹⁾	1550	9.63
-1.5 m	4250 ⁽¹⁾		8300 ⁽¹⁾		8750	5250	5450	3350	3850	2350	2850	1700	2750	1650	9.19
-3.0 m	8550 ⁽¹⁾		10500 ⁽¹⁾	10450	8750	5250	5450	3300	3800	2350			3200	1950	8.45
-4.5 m			12450 ⁽¹⁾	10750	8850 ⁽¹⁾	5350	5500	3400					4050	2500	7.32

(1) Capacity is limited by hydraulics rather than by a tipping load. Lift capacities are based on "ISO 10567" standards. The listed capacities do not exceed 87 percent of the hydraulic lifting capacity or 75 percent of the tipping capacity. Weight of all lifting accessories must be subtracted from the lifting capacities. Lifting capacities are measured when the machine is working on an flat surface.

Table 54

320D Excavator with a reach boom, a 3.9 m (12 ft 10 inch) stick, a 0.58 m ³ (0.8 yd ³) bucket, and 790 mm (2 ft 7 inch) triple grouser track shoes															
All lifting capacities are in kilograms.															
H	R														
	1.5 m		3.0 m		4.5 m		6.0 m		7.5 m		9.0		Maximum Reach		
	F	S	F	S	F	S	F	S	F	S	F	S	F	S	m
9.0 m														2150 ⁽¹⁾	7.14
7.5 m										2900 ⁽¹⁾				2100 ⁽¹⁾	7.92
6.0 m									3250 ⁽¹⁾	3000				2000 ⁽¹⁾	8.77
4.5 m									3550 ⁽¹⁾	2900	3000 ⁽¹⁾	2000	2000 ⁽¹⁾	1800	9.36
3.0 m					5900 ⁽¹⁾		4650 ⁽¹⁾	4100	4100 ⁽¹⁾	2750	3100	1950	2000 ⁽¹⁾	1650	9.71
1.5 m					8100 ⁽¹⁾	5900	5750 ⁽¹⁾	3800	4150	2600	3000	1850	2100 ⁽¹⁾	1550	9.79
0.0 m					9050	5450	5700	3550	4000	2450	2950	1750	2350 ⁽¹⁾	1550	9.63
-1.5 m	4100 ⁽¹⁾		8050 ⁽¹⁾		8850	5300	5550	3400	3900	2350	2900	1750	2650 ⁽¹⁾	1700	9.19
-3.0 m	8300 ⁽¹⁾		10200 ⁽¹⁾		8850	5300	5500	3350	3850	2350			3250	1950	8.45
-4.5 m			12000 ⁽¹⁾	10850	8500 ⁽¹⁾	5450	5600	3450					4100	2550	7.32

(1) Capacity is limited by hydraulics rather than by a tipping load. Lift capacities are based on "ISO 10567" standards. The listed capacities do not exceed 87 percent of the hydraulic lifting capacity or 75 percent of the tipping capacity. Weight of all lifting accessories must be subtracted from the lifting capacities. Lifting capacities are measured when the machine is working on an flat surface.

Product Information Section
Lifting Capacities

Table 55

320D Excavator with a reach boom, a 3.9 m (12 ft 10 inch) stick, a 0.58 m ³ (0.8 yd ³) bucket, and 790 mm (2 ft 7 inch) triple grouser track shoes															
All lifting capacities are in kilograms. Heavy Lift is ON.															
H	R														
	1.5 m		3.0 m		4.5 m		6.0 m		7.5 m		9.0		Maximum Reach		
	F	S	F	S	F	S	F	S	F	S	F	S	F	S	m
9.0 m														2200 ⁽¹⁾	7.14
7.5 m										3000 ⁽¹⁾				2200 ⁽¹⁾	7.92
6.0 m									3400 ⁽¹⁾	3000				2100 ⁽¹⁾	8.77
4.5 m									3700 ⁽¹⁾	2900	3100 ⁽¹⁾	2000	2050 ⁽¹⁾	1800	9.36
3.0 m					6100 ⁽¹⁾		4850 ⁽¹⁾	4100	4250 ⁽¹⁾	2750	3100	1950	2100 ⁽¹⁾	1650	9.71
1.5 m					8400 ⁽¹⁾	5900	5950	3800	4150	2600	3000	1850	2200 ⁽¹⁾	1550	9.79
0.0 m					9050	5450	5700	3550	4000	2450	2950	1750	2400 ⁽¹⁾	1550	9.63
-1.5 m	4250 ⁽¹⁾		8300 ⁽¹⁾		8850	5300	5550	3400	3900	2350	2900	1750	2800 ⁽¹⁾	1700	9.19
-3.0 m	8550 ⁽¹⁾		10500 ⁽¹⁾		8850	5300	5500	3350	3850	2350			3250	1950	8.45
-4.5 m			12450 ⁽¹⁾	10850	8850 ⁽¹⁾	5450	5600	3450					4100	2550	7.32

(1) Capacity is limited by hydraulics rather than by a tipping load. Lift capacities are based on "ISO 10567" standards. The listed capacities do not exceed 87 percent of the hydraulic lifting capacity or 75 percent of the tipping capacity. Weight of all lifting accessories must be subtracted from the lifting capacities. Lifting capacities are measured when the machine is working on a flat surface.

Table 56

320D Excavator with a reach boom, a 3.9 m (12 ft 10 inch) stick, a 0.58 m ³ (0.8 yd ³) bucket, and 600 mm (1 ft 11 inch) triple grouser track shoes															
All lifting capacities are in kilograms.															
H	R														
	1.5 m		3.0 m		4.5 m		6.0 m		7.5 m		9.0		Maximum Reach		
	F	S	F	S	F	S	F	S	F	S	F	S	F	S	m
9.0 m														2150 ⁽¹⁾	7.14
7.5 m										2900 ⁽¹⁾				2100 ⁽¹⁾	7.92
6.0 m									3250 ⁽¹⁾	2950				2000 ⁽¹⁾	8.77
4.5 m									3550 ⁽¹⁾	2850	3000 ⁽¹⁾	1950	2000 ⁽¹⁾	1750	9.36
3.0 m					5900 ⁽¹⁾		4650 ⁽¹⁾	4000	4100 ⁽¹⁾	2700	3000	1850	2000 ⁽¹⁾	1550	9.71
1.5 m					8100 ⁽¹⁾	5750	5750 ⁽¹⁾	3650	4000	2500	2900	1800	2100 ⁽¹⁾	1500	9.79
0.0 m					8800	5300	5500	3400	3850	2400	2850	1700	2350 ⁽¹⁾	1500	9.63
-1.5 m	4100 ⁽¹⁾		8050 ⁽¹⁾		8600	5150	5350	3300	3750	2300	2800	1650	2650 ⁽¹⁾	1600	9.19
-3.0 m	8300 ⁽¹⁾		10200 ⁽¹⁾		8600	5150	5350	3250	3750	2300			3100	1900	8.45
-4.5 m			12000 ⁽¹⁾	10600	8500 ⁽¹⁾	5300	5400	3350					4000	2450	7.32

(1) The load is limited by the hydraulic lifting capacity rather than the tipping load. The loads are in compliance with the hydraulic excavator lift capacity standard "ISO 10567:2007". The listed capacities do not exceed 87 percent of the hydraulic lifting capacity or 75 percent of the tipping load. Weight of all lifting accessories must be subtracted from the lifting capacities. Lifting capacities are based on the machine standing on a firm, uniform supporting surface.

Table 57

320D Excavator with a reach boom, a 3.9 m (12 ft 10 inch) stick, a 0.58 m ³ (0.8 yd ³) bucket, and 600 mm (1 ft 11 inch) triple grouser track shoes															
All lifting capacities are in kilograms. Heavy Lift is ON.															
H	R														
	1.5 m		3.0 m		4.5 m		6.0 m		7.5 m		9.0		Maximum Reach		
	F	S	F	S	F	S	F	S	F	S	F	S	F	S	m
9.0 m														2200 ⁽¹⁾	7.14
7.5 m									3000 ⁽¹⁾	2950				2200 ⁽¹⁾	7.92
6.0 m									3400 ⁽¹⁾	2950				2100 ⁽¹⁾	8.77
4.5 m									3700 ⁽¹⁾	2850	3100	1950	2050 ⁽¹⁾	1750	9.36
3.0 m					6100 ⁽¹⁾		4850 ⁽¹⁾	4000	4200	2700	3000	1850	2100 ⁽¹⁾	1550	9.71
1.5 m					8400 ⁽¹⁾	5750	5800	3650	4000	2500	2900	1800	2200 ⁽¹⁾	1500	9.79
0.0 m					8800	5300	5500	3400	3850	2400	2850	1700	2400 ⁽¹⁾	1500	9.63
-1.5 m	4250 ⁽¹⁾		8300 ⁽¹⁾		8600	5150	5350	3300	3750	2300	2800	1650	2700	1600	9.19
-3.0 m	8550 ⁽¹⁾		10500 ⁽¹⁾	10300	8600	5150	5350	3250	3750	2300			3100	1900	8.45
-4.5 m			12450 ⁽¹⁾	10600	8750	5300	5400	3350					4000	2450	7.32

⁽¹⁾ The load is limited by the hydraulic lifting capacity rather than the tipping load. The loads are in compliance with the hydraulic excavator lift capacity standard "ISO 10567:2007". The listed capacities do not exceed 87 percent of the hydraulic lifting capacity or 75 percent of the tipping load. Weight of all lifting accessories must be subtracted from the lifting capacities. Lifting capacities are based on the machine standing on a firm, uniform supporting surface.

Table 58

320D Excavator with a reach boom, a 3.9 m (12 ft 10 inch) stick, a 0.58 m ³ (0.8 yd ³) bucket, and 700 mm (2 ft 4 inch) triple grouser track shoes															
All lifting capacities are in kilograms.															
H	R														
	1.5 m		3.0 m		4.5 m		6.0 m		7.5 m		9.0		Maximum Reach		
	F	S	F	S	F	S	F	S	F	S	F	S	F	S	m
9.0 m														2150 ⁽¹⁾	7.14
7.5 m									2900 ⁽¹⁾					2100 ⁽¹⁾	7.92
6.0 m									3250 ⁽¹⁾	3000				2000 ⁽¹⁾	8.77
4.5 m									3550 ⁽¹⁾	2900	3000 ⁽¹⁾	1950	2000 ⁽¹⁾	1800	9.36
3.0 m					5900 ⁽¹⁾		4650 ⁽¹⁾	4050	4100 ⁽¹⁾	2750	3050	1900	2000 ⁽¹⁾	1600	9.71
1.5 m					8100 ⁽¹⁾	5850	5750 ⁽¹⁾	3750	4100	2550	3000	1800	2100 ⁽¹⁾	1500	9.79
0.0 m					8950	5400	5600	3500	3950	2400	2900	1750	2350 ⁽¹⁾	1550	9.63
-1.5 m	4100 ⁽¹⁾		8050 ⁽¹⁾		8750	5250	5450	3350	3850	2350	2850	1700	2650 ⁽¹⁾	1650	9.19
-3.0 m	8300 ⁽¹⁾		10200 ⁽¹⁾		8750	5250	5450	3300	3800	2350			3200	1950	8.45
-4.5 m			12000 ⁽¹⁾	10750	8500 ⁽¹⁾	5350	5500	3400					4050	2500	7.32

⁽¹⁾ The load is limited by the hydraulic lifting capacity rather than the tipping load. The loads are in compliance with the hydraulic excavator lift capacity standard "ISO 10567:2007". The listed capacities do not exceed 87 percent of the hydraulic lifting capacity or 75 percent of the tipping load. Weight of all lifting accessories must be subtracted from the lifting capacities. Lifting capacities are based on the machine standing on a firm, uniform supporting surface.

Product Information Section
Lifting Capacities

Table 59

320D Excavator with a reach boom, a 3.9 m (12 ft 10 inch) stick, a 0.58 m ³ (0.8 yd ³) bucket, and 700 mm (2 ft 4 inch) triple grouser track shoes															
All lifting capacities are in kilograms. Heavy Lift is ON.															
H	R														
	1.5 m		3.0 m		4.5 m		6.0 m		7.5 m		9.0		Maximum Reach		
	F	S	F	S	F	S	F	S	F	S	F	S	F	S	m
9.0 m														2200 ⁽¹⁾	7.14
7.5 m										3000 ⁽¹⁾				2200 ⁽¹⁾	7.92
6.0 m									3400 ⁽¹⁾	3000				2100 ⁽¹⁾	8.77
4.5 m									3700 ⁽¹⁾	2900	3100 ⁽¹⁾	1950	2050 ⁽¹⁾	1800	9.36
3.0 m					6100 ⁽¹⁾		4850 ⁽¹⁾	4050	4250 ⁽¹⁾	2750	3050	1900	2100 ⁽¹⁾	1600	9.71
1.5 m					8400 ⁽¹⁾	5850	5900	3750	4100	2550	3000	1800	2200 ⁽¹⁾	1500	9.79
0.0 m					8950	5400	5600	3500	3950	2400	2900	1750	2400 ⁽¹⁾	1550	9.63
-1.5 m	4250 ⁽¹⁾		8300 ⁽¹⁾		8750	5250	5450	3350	3850	2350	2850	1700	2750	1650	9.19
-3.0 m	8550 ⁽¹⁾		10500 ⁽¹⁾	10450	8750	5250	5450	3300	3800	2350			3200	1950	8.45
-4.5 m			12450 ⁽¹⁾	10750	8850 ⁽¹⁾	5350	5500	3400					4050	2500	7.32

(1) The load is limited by the hydraulic lifting capacity rather than the tipping load. The loads are in compliance with the hydraulic excavator lift capacity standard "ISO 10567:2007". The listed capacities do not exceed 87 percent of the hydraulic lifting capacity or 75 percent of the tipping load. Weight of all lifting accessories must be subtracted from the lifting capacities. Lifting capacities are based on the machine standing on a firm, uniform supporting surface.

Table 60

320D Excavator with a reach boom, a 3.9 m (12 ft 10 inch) stick, a 0.58 m ³ (0.8 yd ³) bucket, and 790 mm (2 ft 7 inch) triple grouser track shoes															
All lifting capacities are in kilograms.															
H	R														
	1.5 m		3.0 m		4.5 m		6.0 m		7.5 m		9.0		Maximum Reach		
	F	S	F	S	F	S	F	S	F	S	F	S	F	S	m
9.0 m														2150 ⁽¹⁾	7.14
7.5 m										2900 ⁽¹⁾				2100 ⁽¹⁾	7.92
6.0 m									3250 ⁽¹⁾	3000				2000 ⁽¹⁾	8.77
4.5 m									3550 ⁽¹⁾	2900	3000 ⁽¹⁾	2000	2000 ⁽¹⁾	1800	9.36
3.0 m					5900 ⁽¹⁾		4650 ⁽¹⁾	4100	4100 ⁽¹⁾	2750	3100	1950	2000 ⁽¹⁾	1650	9.71
1.5 m					8100 ⁽¹⁾	5900	5750 ⁽¹⁾	3800	4150	2600	3000	1850	2100 ⁽¹⁾	1550	9.79
0.0 m					9050	5450	5700	3550	4000	2450	2950	1750	2350 ⁽¹⁾	1550	9.63
-1.5 m	4100 ⁽¹⁾		8050 ⁽¹⁾		8850	5300	5550	3400	3900	2350	2900	1750	2650 ⁽¹⁾	1700	9.19
-3.0 m	8300 ⁽¹⁾		10200 ⁽¹⁾		8850	5300	5500	3350	3850	2350			3250	1950	8.45
-4.5 m			12000 ⁽¹⁾	10850	8500 ⁽¹⁾	5450	5600	3450					4100	2550	7.32

(1) The load is limited by the hydraulic lifting capacity rather than the tipping load. The loads are in compliance with the hydraulic excavator lift capacity standard "ISO 10567:2007". The listed capacities do not exceed 87 percent of the hydraulic lifting capacity or 75 percent of the tipping load. Weight of all lifting accessories must be subtracted from the lifting capacities. Lifting capacities are based on the machine standing on a firm, uniform supporting surface.

Table 61

320D Excavator with a reach boom, a 3.9 m (12 ft 10 inch) stick, a 0.58 m ³ (0.8 yd ³) bucket, and 790 mm (2 ft 7 inch) triple grouser track shoes															
All lifting capacities are in kilograms. Heavy Lift is ON.															
H	R														
	1.5 m		3.0 m		4.5 m		6.0 m		7.5 m		9.0		Maximum Reach		
	F	S	F	S	F	S	F	S	F	S	F	S	F	S	m
9.0 m														2200 ⁽¹⁾	7.14
7.5 m									3000 ⁽¹⁾					2200 ⁽¹⁾	7.92
6.0 m									3400 ⁽¹⁾	3000				2100 ⁽¹⁾	8.77
4.5 m									3700 ⁽¹⁾	2900	3100 ⁽¹⁾	2000	2050 ⁽¹⁾	1800	9.36
3.0 m					6100 ⁽¹⁾		4850 ⁽¹⁾	4100	4250 ⁽¹⁾	2750	3100	1950	2100 ⁽¹⁾	1650	9.71
1.5 m					8400 ⁽¹⁾	5900	5950	3800	4150	2600	3000	1850	2200 ⁽¹⁾	1550	9.79
0.0 m					9050	5450	5700	3550	4000	2450	2950	1750	2400 ⁽¹⁾	1550	9.63
-1.5 m		4250 ⁽¹⁾	8300 ⁽¹⁾		8850	5300	5550	3400	3900	2350	2900	1750	2800 ⁽¹⁾	1700	9.19
-3.0 m		8550 ⁽¹⁾	10500 ⁽¹⁾		8850	5300	5500	3350	3850	2350			3250	1950	8.45
-4.5 m			12450 ⁽¹⁾	10850	8850 ⁽¹⁾	5450	5600	3450					4100	2550	7.32

(1) The load is limited by the hydraulic lifting capacity rather than the tipping load. The loads are in compliance with the hydraulic excavator lift capacity standard "ISO 10567:2007". The listed capacities do not exceed 87 percent of the hydraulic lifting capacity or 75 percent of the tipping load. Weight of all lifting accessories must be subtracted from the lifting capacities. Lifting capacities are based on the machine standing on a firm, uniform supporting surface.

Table 62

320D L Excavator with a reach boom, a 2.9 m (9 ft 6 inch) stick, a 0.66 m ³ (0.90 yd ³) bucket, and 790 mm (2 ft 7 inch) triple grouser track shoes															
All lifting capacities are in kilograms.															
H	R														
	1.5 m		3.0 m		4.5 m		6.0 m		7.5 m		Maximum Reach				
	F	S	F	S	F	S	F	S	F	S	F	S	F	S	m
7.5 m														2700 ⁽¹⁾	6.81
6.0 m									3550 ⁽¹⁾	3300				2600 ⁽¹⁾	7.77
4.5 m								4650 ⁽¹⁾		4300 ⁽¹⁾	3250			2550 ⁽¹⁾	8.43
3.0 m					7500 ⁽¹⁾	7050	5600 ⁽¹⁾	4500	4700 ⁽¹⁾	3100	2600 ⁽¹⁾	2300			8.82
1.5 m					9400 ⁽¹⁾	6500	6550 ⁽¹⁾	4250	4950	3000	2750 ⁽¹⁾	2200			8.91
0.0 m					10150 ⁽¹⁾	6300	6900	4050	4850	2900	3050 ⁽¹⁾	2250			8.72
-1.5 m			8450 ⁽¹⁾		10050 ⁽¹⁾	6250	6850	4000	4800	2850	3600 ⁽¹⁾	2450			8.24
-3.0 m			9050 ⁽¹⁾		9200 ⁽¹⁾	6350	6850 ⁽¹⁾	4050			4550 ⁽¹⁾	2950			7.4
-4.5 m					7250 ⁽¹⁾	6550					4950 ⁽¹⁾	4150			6.05

(1) Capacity is limited by hydraulics rather than by a tipping load. Lift capacities are based on "ISO 10567" standards. The listed capacities do not exceed 87 percent of the hydraulic lifting capacity or 75 percent of the tipping capacity. Weight of all lifting accessories must be subtracted from the lifting capacities. Lifting capacities are measured when the machine is working on a flat surface.

Product Information Section
Lifting Capacities

Table 63

320D L Excavator with a reach boom, a 2.9 m (9 ft 6 inch) stick, a 0.66 m ³ (0.90 yd ³) bucket, and 790 mm (2 ft 7 inch) triple grouser track shoes														
All lifting capacities are in kilograms. Heavy lift is ON.														
H	R													
	1.5 m		3.0 m		4.5 m		6.0 m		7.5 m		Maximum Reach			
	F	S	F	S	F	S	F	S	F	S	F	S	m	
7.5 m													2800 ⁽¹⁾	6.81
6.0 m									3650 ⁽¹⁾	3300			2700 ⁽¹⁾	7.77
4.5 m							4800 ⁽¹⁾	4750	4450 ⁽¹⁾	3250	2650 ⁽¹⁾	2600		8.43
3.0 m					7800 ⁽¹⁾	7050	5800 ⁽¹⁾	4500	4900 ⁽¹⁾	3100	2700 ⁽¹⁾	2300		8.82
1.5 m					9750 ⁽¹⁾	6500	6800 ⁽¹⁾	4250	4950	3000	2900 ⁽¹⁾	2200		8.91
0.0 m					10550 ⁽¹⁾	6300	6900	4050	4850	2900	3200 ⁽¹⁾	2250		8.72
-1.5 m				8750 ⁽¹⁾	10400 ⁽¹⁾	6250	6850	4000	4800	2850	3700 ⁽¹⁾	2450		8.24
-3.0 m				9300 ⁽¹⁾	9500 ⁽¹⁾	6350	6850	4050			4700 ⁽¹⁾	2950		7.4
-4.5 m					7550 ⁽¹⁾	6550					5150 ⁽¹⁾	4150		6.05

⁽¹⁾ Capacity is limited by hydraulics rather than by a tipping load. Lift capacities are based on "ISO 10567" standards. The listed capacities do not exceed 87 percent of the hydraulic lifting capacity or 75 percent of the tipping capacity. Weight of all lifting accessories must be subtracted from the lifting capacities. Lifting capacities are measured when the machine is working on an flat surface.

Table 64

320D L Excavator with a reach boom, a 2.9 m (9 ft 6 inch) stick, a 0.66 m ³ (0.90 yd ³) bucket, and 700 mm (2 ft 4 inch) triple grouser track shoes														
All lifting capacities are in kilograms.														
H	R													
	1.5 m		3.0 m		4.5 m		6.0 m		7.5 m		Maximum Reach			
	F	S	F	S	F	S	F	S	F	S	F	S	m	
7.5 m													2700 ⁽¹⁾	6.81
6.0 m									3550 ⁽¹⁾	3250			2600 ⁽¹⁾	7.77
4.5 m							4650 ⁽¹⁾		4300 ⁽¹⁾	3200	2550 ⁽¹⁾	2550		8.43
3.0 m					7500 ⁽¹⁾	7000	5600 ⁽¹⁾	4450	4700 ⁽¹⁾	3050	2600 ⁽¹⁾	2300		8.82
1.5 m					9400 ⁽¹⁾	6450	6550 ⁽¹⁾	4200	4900	2950	2750 ⁽¹⁾	2200		8.91
0.0 m					10150 ⁽¹⁾	6200	6850	4000	4800	2850	3050 ⁽¹⁾	2250		8.72
-1.5 m				8450 ⁽¹⁾	10050 ⁽¹⁾	6200	6750	3950	4750	2800	3600 ⁽¹⁾	2450		8.24
-3.0 m				9050 ⁽¹⁾	9200 ⁽¹⁾	6250	6800	4000			4550 ⁽¹⁾	2900		7.4
-4.5 m					7250 ⁽¹⁾	6450					4950 ⁽¹⁾	4100		6.05

⁽¹⁾ Capacity is limited by hydraulics rather than by a tipping load. Lift capacities are based on "ISO 10567" standards. The listed capacities do not exceed 87 percent of the hydraulic lifting capacity or 75 percent of the tipping capacity. Weight of all lifting accessories must be subtracted from the lifting capacities. Lifting capacities are measured when the machine is working on an flat surface.

Table 65

320D L Excavator with a reach boom, a 2.9 m (9 ft 6 inch) stick, a 0.66 m ³ (0.90 yd ³) bucket, and 700 mm (2 ft 4 inch) triple grouser track shoes														
All lifting capacities are in kilograms. Heavy lift is ON.														
H	R													
	1.5 m		3.0 m		4.5 m		6.0 m		7.5 m		Maximum Reach			
	F	S	F	S	F	S	F	S	F	S	F	S	m	
7.5 m													2800 ⁽¹⁾	6.81
6.0 m									3650 ⁽¹⁾	3250			2700 ⁽¹⁾	7.77
4.5 m							4800 ⁽¹⁾	4700	4450 ⁽¹⁾	3200	2650 ⁽¹⁾	2550		8.43
3.0 m					7800 ⁽¹⁾	7000	5800 ⁽¹⁾	4450	4900 ⁽¹⁾	3050	2700 ⁽¹⁾	2300		8.82
1.5 m					9750 ⁽¹⁾	6450	6800 ⁽¹⁾	4200	4900	2950	2900 ⁽¹⁾	2200		8.91
0.0 m					10550 ⁽¹⁾	6200	6850	4000	4800	2850	3200 ⁽¹⁾	2250		8.72
-1.5 m				8750 ⁽¹⁾	10400 ⁽¹⁾	6200	6750	3950	4750	2800	3700 ⁽¹⁾	2450		8.24
-3.0 m				9300 ⁽¹⁾	9500 ⁽¹⁾	6250	6800	4000			4700 ⁽¹⁾	2900		7.4
-4.5 m					7550 ⁽¹⁾	6450					5150 ⁽¹⁾	4100		6.05

⁽¹⁾ Capacity is limited by hydraulics rather than by a tipping load. Lift capacities are based on "ISO 10567" standards. The listed capacities do not exceed 87 percent of the hydraulic lifting capacity or 75 percent of the tipping capacity. Weight of all lifting accessories must be subtracted from the lifting capacities. Lifting capacities are measured when the machine is working on an flat surface.

Table 66

320D L Excavator with a reach boom, a 2.9 m (9 ft 6 inch) stick, a 0.66 m ³ (0.90 yd ³) bucket, and 600 mm (1 ft 11 inch) triple grouser track shoes														
All lifting capacities are in kilograms.														
H	R													
	1.5 m		3.0 m		4.5 m		6.0 m		7.5 m		Maximum Reach			
	F	S	F	S	F	S	F	S	F	S	F	S	m	
7.5 m													2700 ⁽¹⁾	6.81
6.0 m									3550 ⁽¹⁾	3200			2600 ⁽¹⁾	7.77
4.5 m							4650 ⁽¹⁾		4300 ⁽¹⁾	3150	2550 ⁽¹⁾	2500		8.43
3.0 m					7500 ⁽¹⁾	6900	5600 ⁽¹⁾	4400	4700 ⁽¹⁾	3000	2600 ⁽¹⁾	2250		8.82
1.5 m					9400 ⁽¹⁾	6350	6550 ⁽¹⁾	4100	4800	2900	2750 ⁽¹⁾	2150		8.91
0.0 m					10150 ⁽¹⁾	6100	6700	3950	4700	2800	3050 ⁽¹⁾	2200		8.72
-1.5 m				8450 ⁽¹⁾	10050 ⁽¹⁾	6050	6650	3900	4650	2750	3600 ⁽¹⁾	2400		8.24
-3.0 m				9050 ⁽¹⁾	9200 ⁽¹⁾	6150	6650	3900			4550 ⁽¹⁾	2850		7.4
-4.5 m					7250 ⁽¹⁾	6350					4950 ⁽¹⁾	4050		6.05

⁽¹⁾ Capacity is limited by hydraulics rather than by a tipping load. Lift capacities are based on "ISO 10567" standards. The listed capacities do not exceed 87 percent of the hydraulic lifting capacity or 75 percent of the tipping capacity. Weight of all lifting accessories must be subtracted from the lifting capacities. Lifting capacities are measured when the machine is working on an flat surface.

Product Information Section
Lifting Capacities

Table 67

320D L Excavator with a reach boom, a 2.9 m (9 ft 6 inch) stick, a 0.66 m ³ (0.90 yd ³) bucket, and 600 mm (1 ft 11 inch) triple grouser track shoes														
All lifting capacities are in kilograms. Heavy lift is ON.														
H	R													
	1.5 m		3.0 m		4.5 m		6.0 m		7.5 m		Maximum Reach			
	F	S	F	S	F	S	F	S	F	S	F	S	m	
7.5 m													2800 ⁽¹⁾	6.81
6.0 m									3650 ⁽¹⁾	3200			2700 ⁽¹⁾	7.77
4.5 m							4800 ⁽¹⁾	4650	4450 ⁽¹⁾	3150	2650 ⁽¹⁾	2500		8.43
3.0 m					7800 ⁽¹⁾	6900	5800 ⁽¹⁾	4400	4900 ⁽¹⁾	3000	2700 ⁽¹⁾	2250		8.82
1.5 m					9750 ⁽¹⁾	6350	6800 ⁽¹⁾	4100	4800	2900	2900 ⁽¹⁾	2150		8.91
0.0 m					10550 ⁽¹⁾	6100	6700	3950	4700	2800	3200 ⁽¹⁾	2200		8.72
-1.5 m				8750 ⁽¹⁾	10400 ⁽¹⁾	6050	6650	3900	4650	2750	3700 ⁽¹⁾	2400		8.24
-3.0 m				9300 ⁽¹⁾	9500 ⁽¹⁾	6150	6650	3900			4700 ⁽¹⁾	2850		7.4
-4.5 m					7550 ⁽¹⁾	6350					5150 ⁽¹⁾	4050		6.05

⁽¹⁾ Capacity is limited by hydraulics rather than by a tipping load. Lift capacities are based on "ISO 10567" standards. The listed capacities do not exceed 87 percent of the hydraulic lifting capacity or 75 percent of the tipping capacity. Weight of all lifting accessories must be subtracted from the lifting capacities. Lifting capacities are measured when the machine is working on an flat surface.

Table 68

320D L Excavator with a reach boom, a 2.5 m (8 ft 2 inch) stick, a 0.71 m ³ (0.93 yd ³) bucket, and 790 mm (2 ft 7 inch) triple grouser track shoes														
All lifting capacities are in kilograms.														
H	R													
	1.5 m		3.0 m		4.5 m		6.0 m		7.5 m		Maximum Reach			
	F	S	F	S	F	S	F	S	F	S	F	S	m	
7.5 m													3200 ⁽¹⁾	6.29
6.0 m								4400 ⁽¹⁾					3100 ⁽¹⁾	7.32
4.5 m							4950 ⁽¹⁾	4650	4550 ⁽¹⁾	3150	3100 ⁽¹⁾	2800		8.02
3.0 m					8150 ⁽¹⁾	6850	5850 ⁽¹⁾	4400	4900 ⁽¹⁾	3050	3150 ⁽¹⁾	2500		8.42
1.5 m					9800 ⁽¹⁾	6400	6750 ⁽¹⁾	4200	4900	2950	3350 ⁽¹⁾	2350		8.52
0.0 m					9550 ⁽¹⁾	6250	6850	4050	4850	2850	3700 ⁽¹⁾	2450		8.32
-1.5 m				7900 ⁽¹⁾	9800 ⁽¹⁾	6250	6850	4000	4800	2850	4350 ⁽¹⁾	2700		7.81
-3.0 m				9300 ⁽¹⁾	8700 ⁽¹⁾	6350	6550 ⁽¹⁾	4050			5250 ⁽¹⁾	3300		6.92
-4.5 m					6350 ⁽¹⁾						4900 ⁽¹⁾			5.44

⁽¹⁾ Capacity is limited by hydraulics rather than by a tipping load. Lift capacities are based on "ISO 10567" standards. The listed capacities do not exceed 87 percent of the hydraulic lifting capacity or 75 percent of the tipping capacity. Weight of all lifting accessories must be subtracted from the lifting capacities. Lifting capacities are measured when the machine is working on an flat surface.

Table 69

320D L Excavator with a reach boom, a 2.5 m (8 ft 2 inch) stick, a 0.71 m ³ (0.93 yd ³) bucket, and 790 mm (2 ft 7 inch) triple grouser track shoes														
All lifting capacities are in kilograms. Heavy lift is ON.														
H	R													
	1.5 m		3.0 m		4.5 m		6.0 m		7.5 m		Maximum Reach			
	F	S	F	S	F	S	F	S	F	S	F	S	m	
7.5 m													3300 ⁽¹⁾	6.29
6.0 m							4550 ⁽¹⁾						3200 ⁽¹⁾	7.32
4.5 m							5150 ⁽¹⁾	4650	4700 ⁽¹⁾	3150	3200 ⁽¹⁾	2800		8.02
3.0 m					8450 ⁽¹⁾	6850	6100 ⁽¹⁾	4400	5050	3050	3250 ⁽¹⁾	2500		8.42
1.5 m					10150 ⁽¹⁾	6400	7000 ⁽¹⁾	4200	4900	2950	3450 ⁽¹⁾	2350		8.52
0.0 m					9800 ⁽¹⁾	6250	6850	4050	4850	2850	3850 ⁽¹⁾	2450		8.32
-1.5 m			8150 ⁽¹⁾		10150 ⁽¹⁾	6250	6850	4000	4800	2850	4500 ⁽¹⁾	2700		7.81
-3.0 m			9600 ⁽¹⁾		9050 ⁽¹⁾	6350	6800 ⁽¹⁾	4050			5450 ⁽¹⁾	3300		6.92
-4.5 m					6600 ⁽¹⁾						5100 ⁽¹⁾	4950		5.44

⁽¹⁾ Capacity is limited by hydraulics rather than by a tipping load. Lift capacities are based on "ISO 10567" standards. The listed capacities do not exceed 87 percent of the hydraulic lifting capacity or 75 percent of the tipping capacity. Weight of all lifting accessories must be subtracted from the lifting capacities. Lifting capacities are measured when the machine is working on an flat surface.

Table 70

320D L Excavator with a reach boom, a 2.5 m (8 ft 2 inch) stick, a 0.71 m ³ (0.93 yd ³) bucket, and 700 mm (2 ft 4 inch) triple grouser track shoes														
All lifting capacities are in kilograms.														
H	R													
	1.5 m		3.0 m		4.5 m		6.0 m		7.5 m		Maximum Reach			
	F	S	F	S	F	S	F	S	F	S	F	S	m	
7.5 m													3200 ⁽¹⁾	6.29
6.0 m							4400 ⁽¹⁾						3100 ⁽¹⁾	7.32
4.5 m							4950 ⁽¹⁾	4600	4550 ⁽¹⁾	3150	3100 ⁽¹⁾	2750		8.02
3.0 m					8150 ⁽¹⁾	6800	5850 ⁽¹⁾	4350	4900 ⁽¹⁾	3000	3150 ⁽¹⁾	2450		8.42
1.5 m					9800 ⁽¹⁾	6300	6750 ⁽¹⁾	4150	4850	2900	3350 ⁽¹⁾	2350		8.52
0.0 m					9550 ⁽¹⁾	6150	6800	4000	4750	2800	3700 ⁽¹⁾	2400		8.32
-1.5 m			7900 ⁽¹⁾		9800 ⁽¹⁾	6200	6750	3950	4750	2800	4350 ⁽¹⁾	2650		7.81
-3.0 m			9300 ⁽¹⁾		8700 ⁽¹⁾	6300	6550 ⁽¹⁾	4000			5250 ⁽¹⁾	3250		6.92
-4.5 m					6350 ⁽¹⁾						4900 ⁽¹⁾	4900		5.44

⁽¹⁾ Capacity is limited by hydraulics rather than by a tipping load. Lift capacities are based on "ISO 10567" standards. The listed capacities do not exceed 87 percent of the hydraulic lifting capacity or 75 percent of the tipping capacity. Weight of all lifting accessories must be subtracted from the lifting capacities. Lifting capacities are measured when the machine is working on an flat surface.

Product Information Section
Lifting Capacities

Table 71

320D L Excavator with a reach boom, a 2.5 m (8 ft 2 inch) stick, a 0.71 m ³ (0.93 yd ³) bucket, and 700 mm (2 ft 4 inch) triple grouser track shoes														
All lifting capacities are in kilograms. Heavy lift is ON.														
H	R													
	1.5 m		3.0 m		4.5 m		6.0 m		7.5 m		Maximum Reach			
	F	S	F	S	F	S	F	S	F	S	F	S	m	
7.5 m													3300 ⁽¹⁾	6.29
6.0 m							4550 ⁽¹⁾						3200 ⁽¹⁾	7.32
4.5 m							5150 ⁽¹⁾	4600	4700 ⁽¹⁾	3150	3200 ⁽¹⁾	2750	8.02	
3.0 m					8450 ⁽¹⁾	6800	6100 ⁽¹⁾	4350	5000	3000	3250 ⁽¹⁾	2450	8.42	
1.5 m					10150 ⁽¹⁾	6300	6950	4150	4850	2900	3450 ⁽¹⁾	2350	8.52	
0.0 m					9800 ⁽¹⁾	6150	6800	4000	4750	2800	3850 ⁽¹⁾	2400	8.32	
-1.5 m			8150 ⁽¹⁾		10150 ⁽¹⁾	6200	6750	3950	4750	2800	4500	2650	7.81	
-3.0 m			9600 ⁽¹⁾		9050 ⁽¹⁾	6300	6800 ⁽¹⁾	4000			5450 ⁽¹⁾	3250	6.92	
-4.5 m					6600 ⁽¹⁾	6550					5100 ⁽¹⁾	4900	5.44	

⁽¹⁾ Capacity is limited by hydraulics rather than by a tipping load. Lift capacities are based on "ISO 10567" standards. The listed capacities do not exceed 87 percent of the hydraulic lifting capacity or 75 percent of the tipping capacity. Weight of all lifting accessories must be subtracted from the lifting capacities. Lifting capacities are measured when the machine is working on an flat surface.

Table 72

320D L Excavator with a reach boom, a 2.5 m (8 ft 2 inch) stick, a 0.71 m ³ (0.93 yd ³) bucket, and 600 mm (1 ft 11 inch) triple grouser track shoes														
All lifting capacities are in kilograms.														
H	R													
	1.5 m		3.0 m		4.5 m		6.0 m		7.5 m		Maximum Reach			
	F	S	F	S	F	S	F	S	F	S	F	S	m	
7.5 m													3200 ⁽¹⁾	6.29
6.0 m							4400 ⁽¹⁾						3100 ⁽¹⁾	7.32
4.5 m							4950 ⁽¹⁾	4550	4550 ⁽¹⁾	3050	3100 ⁽¹⁾	2700	8.02	
3.0 m					8150 ⁽¹⁾	6700	5850 ⁽¹⁾	4300	4900	2950	3150 ⁽¹⁾	2400	8.42	
1.5 m					9800 ⁽¹⁾	6200	6750 ⁽¹⁾	4050	4750	2850	3350 ⁽¹⁾	2300	8.52	
0.0 m					9550 ⁽¹⁾	6050	6650	3900	4700	2750	3700 ⁽¹⁾	2350	8.32	
-1.5 m			7900 ⁽¹⁾		9800 ⁽¹⁾	6050	6600	3850	4650	2750	4350 ⁽¹⁾	2600	7.81	
-3.0 m			9300 ⁽¹⁾		8700 ⁽¹⁾	6200	6550 ⁽¹⁾	3950			5250 ⁽¹⁾	3200	6.92	
-4.5 m					6350 ⁽¹⁾						4900 ⁽¹⁾	4800	5.44	

⁽¹⁾ Capacity is limited by hydraulics rather than by a tipping load. Lift capacities are based on "ISO 10567" standards. The listed capacities do not exceed 87 percent of the hydraulic lifting capacity or 75 percent of the tipping capacity. Weight of all lifting accessories must be subtracted from the lifting capacities. Lifting capacities are measured when the machine is working on an flat surface.

Table 73

320D L Excavator with a reach boom, a 2.5 m (8 ft 2 inch) stick, a 0.71m ³ (0.93 yd ³) bucket, and 600 mm (1 ft 11 inch) triple grouser track shoes														
All lifting capacities are in kilograms. Heavy lift is ON.														
H	R													
	1.5 m		3.0 m		4.5 m		6.0 m		7.5 m		Maximum Reach			
	F	S	F	S	F	S	F	S	F	S	F	S	m	
7.5 m													3300 ⁽¹⁾	6.29
6.0 m													3200 ⁽¹⁾	7.32
4.5 m							5150 ⁽¹⁾	4550	4700 ⁽¹⁾	3050	3200 ⁽¹⁾	2700	8.02	
3.0 m					8450 ⁽¹⁾	6700	6100 ⁽¹⁾	4300	4900	2950	3250 ⁽¹⁾	2400	8.42	
1.5 m					10150 ⁽¹⁾	6200	6850	4050	4750	2850	3450 ⁽¹⁾	2300	8.52	
0.0 m					9800 ⁽¹⁾	6050	6650	3900	4700	2750	3850 ⁽¹⁾	2350	8.32	
-1.5 m				8150 ⁽¹⁾	10150 ⁽¹⁾	6050	6600	3850	4650	2750	4400 ⁽¹⁾	2600	7.81	
-3.0 m				9600 ⁽¹⁾	9050 ⁽¹⁾	6200	6700	3950			5350 ⁽¹⁾	3200	6.92	
-4.5 m					6600 ⁽¹⁾	6450					5100 ⁽¹⁾	4800	5.44	

⁽¹⁾ Capacity is limited by hydraulics rather than by a tipping load. Lift capacities are based on "ISO 10567" standards. The listed capacities do not exceed 87 percent of the hydraulic lifting capacity or 75 percent of the tipping capacity. Weight of all lifting accessories must be subtracted from the lifting capacities. Lifting capacities are measured when the machine is working on an flat surface.

Table 74

320D L Excavator with a mass boom, a 2.4 m (7 ft 10 inch) stick, a 0.86 m ³ (1.1 yd ³) bucket, and 790 mm (2 ft 7 inch) triple grouser track shoes															
All lifting capacities are in kilograms.															
H	R														
	1.5 m		3.0 m		4.5 m		6.0 m		7.5 m		Maximum Reach				
	F	S	F	S	F	S	F	S	F	S	F	S	m		
7.5 m													4350 ⁽¹⁾	5.4	
6.0 m													4250 ⁽¹⁾	3850	6.51
4.5 m							4850 ⁽¹⁾	4400					4000 ⁽¹⁾	2900	7.42
3.0 m					7650 ⁽¹⁾	6700	5650 ⁽¹⁾	4150	4750	2750	4100 ⁽¹⁾	2500 ⁽¹⁾	7.86		
1.5 m					9350 ⁽¹⁾	6200	6500 ⁽¹⁾	3900	4650	2650	4200	2350	7.96		
0.0 m					9850 ⁽¹⁾	6000	6600	3750	4550	2600	4350	2450	7.75		
-1.5 m				11850 ⁽¹⁾	9400 ⁽¹⁾	6000	6600	3750			4900	2800	7.18		
-3.0 m				10500 ⁽¹⁾	7900 ⁽¹⁾	6150	5600 ⁽¹⁾	3850			5250 ⁽¹⁾	3700	6.17		
-4.5 m															

⁽¹⁾ The load is limited by the hydraulic lifting capacity rather than the tipping load. The loads are in compliance with the hydraulic excavator lift capacity standard "ISO 10567:2007". The listed capacities do not exceed 87 percent of the hydraulic lifting capacity or 75 percent of the tipping load. Weight of all lifting accessories must be subtracted from the lifting capacities. Lifting capacities are based on the machine standing on a firm, uniform supporting surface.

Product Information Section
Lifting Capacities

Table 75

320D L Excavator with a mass boom, a 2.4 m (7 ft 10 inch) stick, a 0.86 m ³ (1.1 yd ³) bucket, and 790 mm (2 ft 7 inch) triple grouser track shoes														
All lifting capacities are in kilograms. Heavy lift is ON.														
H	R													
	1.5 m		3.0 m		4.5 m		6.0 m		7.5 m		Maximum Reach			
	F	S	F	S	F	S	F	S	F	S	F	S	m	
7.5 m													4450 ⁽¹⁾	5.4
6.0 m							4650 ⁽¹⁾	4550				4400 ⁽¹⁾	3850	6.51
4.5 m							5050 ⁽¹⁾	4400				4150 ⁽¹⁾	2900	7.42
3.0 m					7900 ⁽¹⁾	6700	5900 ⁽¹⁾	4150	4750	2750	4250 ⁽¹⁾	2500		7.86
1.5 m					9700 ⁽¹⁾	6200	6750 ⁽¹⁾	3900	4650	2650	4200	2350		7.96
0.0 m					10200 ⁽¹⁾	6000	6600	3750	4550	2600	4350	2450		7.75
-1.5 m				12250 ⁽¹⁾	9750 ⁽¹⁾	6000	6600	3750			4900	2800		7.18
-3.0 m				10900 ⁽¹⁾	8200 ⁽¹⁾	6150	5800 ⁽¹⁾	3850			5500	3700		6.17
-4.5 m														

(1) The load is limited by the hydraulic lifting capacity rather than the tipping load. The loads are in compliance with the hydraulic excavator lift capacity standard "ISO 10567:2007". The listed capacities do not exceed 87 percent of the hydraulic lifting capacity or 75 percent of the tipping load. Weight of all lifting accessories must be subtracted from the lifting capacities. Lifting capacities are based on the machine standing on a firm, uniform supporting surface.

Table 76

320D L Excavator with a mass boom, a 2.4 m (7 ft 10 inch) stick, a 0.86 m ³ (1.1 yd ³) bucket, and 700 mm (2 ft 4 inch) triple grouser track shoes														
All lifting capacities are in kilograms.														
H	R													
	1.5 m		3.0 m		4.5 m		6.0 m		7.5 m		Maximum Reach			
	F	S	F	S	F	S	F	S	F	S	F	S	m	
7.5 m													4350 ⁽¹⁾	5.4
6.0 m							4500 ⁽¹⁾					4250 ⁽¹⁾	3800	6.51
4.5 m							4850 ⁽¹⁾	4350				4000 ⁽¹⁾	2900	7.42
3.0 m					7650 ⁽¹⁾	6650	5650 ⁽¹⁾	4100	4700	2750	4100 ⁽¹⁾	2500		7.86
1.5 m					9350 ⁽¹⁾	6100	6500 ⁽¹⁾	3850	4600	2600	4150	2350		7.96
0.0 m					9850 ⁽¹⁾	5900	6550	3700	4500	2550	4250	2400		7.75
-1.5 m				11850 ⁽¹⁾	9400 ⁽¹⁾	5900	6500	3650			4850	2750		7.18
-3.0 m				10500 ⁽¹⁾	7900 ⁽¹⁾	6050	5600 ⁽¹⁾	3800			5250 ⁽¹⁾	3650		6.17
-4.5 m														

(1) The load is limited by the hydraulic lifting capacity rather than the tipping load. The loads are in compliance with the hydraulic excavator lift capacity standard "ISO 10567:2007". The listed capacities do not exceed 87 percent of the hydraulic lifting capacity or 75 percent of the tipping load. Weight of all lifting accessories must be subtracted from the lifting capacities. Lifting capacities are based on the machine standing on a firm, uniform supporting surface.

Table 77

320D L Excavator with a mass boom, a 2.4 m (7 ft 10 inch) stick, a 0.86 m ³ (1.1 yd ³) bucket, and 700 mm (2 ft 4 inch) triple grouser track shoes														
All lifting capacities are in kilograms. Heavy lift is ON.														
H	R													
	1.5 m		3.0 m		4.5 m		6.0 m		7.5 m		Maximum Reach			
	F	S	F	S	F	S	F	S	F	S	F	S	m	
7.5 m													4450 ⁽¹⁾	5.4
6.0 m							4650 ⁽¹⁾	4500				4400 ⁽¹⁾	3800	6.51
4.5 m							5050 ⁽¹⁾	4350				4150 ⁽¹⁾	2900	7.42
3.0 m					7900 ⁽¹⁾	6650	5900 ⁽¹⁾	4100 ⁽¹⁾	4700	2750	4250 ⁽¹⁾	2500		7.86
1.5 m					9700 ⁽¹⁾	6100	6700	3850	4600	2600	4150	2350		7.96
0.0 m					10200 ⁽¹⁾	5900	6550	3700	4500	2550	4250	2400		7.75
-1.5 m				12250 ⁽¹⁾	9750 ⁽¹⁾	5900	6500	3650			4850	2750		7.18
-3.0 m				10900 ⁽¹⁾	8200 ⁽¹⁾	6050	5800 ⁽¹⁾	3800			5500 ⁽¹⁾	3650		6.17
-4.5 m														

(1) The load is limited by the hydraulic lifting capacity rather than the tipping load. The loads are in compliance with the hydraulic excavator lift capacity standard "ISO 10567:2007". The listed capacities do not exceed 87 percent of the hydraulic lifting capacity or 75 percent of the tipping load. Weight of all lifting accessories must be subtracted from the lifting capacities. Lifting capacities are based on the machine standing on a firm, uniform supporting surface.

Table 78

320D L Excavator with a mass boom, a 2.4 m (7 ft 10 inch) stick, a 0.86 m ³ (1.1 yd ³) bucket, and 600 mm (1 ft 11 inch) triple grouser track shoes														
All lifting capacities are in kilograms.														
H	R													
	1.5 m		3.0 m		4.5 m		6.0 m		7.5 m		Maximum Reach			
	F	S	F	S	F	S	F	S	F	S	F	S	m	
7.5 m													4350 ⁽¹⁾	5.4
6.0 m							4500 ⁽¹⁾	4450				4250 ⁽¹⁾	3700	6.51
4.5 m							4850 ⁽¹⁾	4300				4000 ⁽¹⁾	2800	7.42
3.0 m					7650 ⁽¹⁾	6550	5650 ⁽¹⁾	4050	4600	2650	4100 ⁽¹⁾	2400		7.86
1.5 m					9350 ⁽¹⁾	6000	6500 ⁽¹⁾	3800	4500	2550	4050	2300		7.96
0.0 m					9850 ⁽¹⁾	5800	6400	3650	4400	2500	4200	2350		7.75
-1.5 m				11850 ⁽¹⁾	9400 ⁽¹⁾	5800	6350	3600			4750	2700		7.18
-3.0 m				10500 ⁽¹⁾	7900 ⁽¹⁾	5950	5600 ⁽¹⁾	3700			5250 ⁽¹⁾	3550		6.17
-4.5 m														

(1) The load is limited by the hydraulic lifting capacity rather than the tipping load. The loads are in compliance with the hydraulic excavator lift capacity standard "ISO 10567:2007". The listed capacities do not exceed 87 percent of the hydraulic lifting capacity or 75 percent of the tipping load. Weight of all lifting accessories must be subtracted from the lifting capacities. Lifting capacities are based on the machine standing on a firm, uniform supporting surface.

Product Information Section
Lifting Capacities

Table 79

320D L Excavator with a mass boom, a 2.4 m (7 ft 10 inch) stick, a 0.86 m ³ (1.1 yd ³) bucket, and 600 mm (1 ft 11 inch) triple grouser track shoes														
All lifting capacities are in kilograms. Heavy lift is ON.														
H	R													
	1.5 m		3.0 m		4.5 m		6.0 m		7.5 m		Maximum Reach			
	F	S	F	S	F	S	F	S	F	S	F	S	m	
7.5 m													4450 ⁽¹⁾	5.4
6.0 m							4650 ⁽¹⁾	4450				4400 ⁽¹⁾	3700	6.51
4.5 m							5050 ⁽¹⁾	4300				4150 ⁽¹⁾	2800	7.42
3.0 m					7900 ⁽¹⁾	6650	5900 ⁽¹⁾	4050	4600	2650	4250	2400		7.86
1.5 m					9700 ⁽¹⁾	6000	6600	3800	4500	2550	4050	2300		7.96
0.0 m					10200 ⁽¹⁾	5800	6400	3650	4400	2500	4200	2350		7.75
-1.5 m			12250 ⁽¹⁾	12200	9750 ⁽¹⁾	5800	6350	3600			4750	2700		7.18
-3.0 m				10900 ⁽¹⁾	8200 ⁽¹⁾	5950	5800 ⁽¹⁾	3700			5500 ⁽¹⁾	3550		6.17
-4.5 m														

⁽¹⁾ The load is limited by the hydraulic lifting capacity rather than the tipping load. The loads are in compliance with the hydraulic excavator lift capacity standard "ISO 10567:2007". The listed capacities do not exceed 87 percent of the hydraulic lifting capacity or 75 percent of the tipping load. Weight of all lifting accessories must be subtracted from the lifting capacities. Lifting capacities are based on the machine standing on a firm, uniform supporting surface.

Table 80

320D L Excavator with a reach boom, a 3.9 m (12 ft 10 inch) stick, a 0.58 m ³ (0.8 yd ³) bucket, and 790 mm (2 ft 7 inch) triple grouser track shoes															
All lifting capacities are in kilograms.															
H	R														
	1.5 m		3.0 m		4.5 m		6.0 m		7.5 m		9.0		Maximum Reach		
	F	S	F	S	F	S	F	S	F	S	F	S	F	S	m
9.0 m														2150 ⁽¹⁾	7.14
7.5 m									2900 ⁽¹⁾					2100 ⁽¹⁾	7.92
6.0 m									3250 ⁽¹⁾					2000 ⁽¹⁾	8.77
4.5 m									3550 ⁽¹⁾	3300	3000 ⁽¹⁾	2300		2000 ⁽¹⁾	9.36
3.0 m					5900 ⁽¹⁾	4650 ⁽¹⁾	4600	4100 ⁽¹⁾	3100	3750	2200	2000 ⁽¹⁾	1900		9.71
1.5 m					8100 ⁽¹⁾	6650	5750 ⁽¹⁾	4250	4650 ⁽¹⁾	2950	3650	2100	2100 ⁽¹⁾	1800	9.79
0.0 m					9500 ⁽¹⁾	6250	6650 ⁽¹⁾	4000	4800	2800	3550	2050	2350 ⁽¹⁾	1800	9.63
-1.5 m	4100 ⁽¹⁾		8050 ⁽¹⁾	10000 ⁽¹⁾	6050	6700	3900	4700	2750	3500	2000	2650 ⁽¹⁾	1950		9.19
-3.0 m	8300 ⁽¹⁾		10200 ⁽¹⁾	9650 ⁽¹⁾	6050	6700	3850	4700	2700			3300 ⁽¹⁾	2250		8.45
-4.5 m			12000 ⁽¹⁾	8500 ⁽¹⁾	6200	6250 ⁽¹⁾	3950					4450 ⁽¹⁾	2900		7.32

⁽¹⁾ Capacity is limited by hydraulics rather than by a tipping load. Lift capacities are based on "ISO 10567" standards. The listed capacities do not exceed 87 percent of the hydraulic lifting capacity or 75 percent of the tipping capacity. Weight of all lifting accessories must be subtracted from the lifting capacities. Lifting capacities are measured when the machine is working on a flat surface.

Table 81

320D L Excavator with a reach boom, a 3.9 m (12 ft 10 inch) stick, a 0.58 m ³ (0.8 yd ³) bucket, and 790 mm (2 ft 7 inch) triple grouser track shoes															
All lifting capacities are in kilograms. Heavy lift is ON.															
H	R														
	1.5 m		3.0 m		4.5 m		6.0 m		7.5 m		9.0		Maximum Reach		
	F	S	F	S	F	S	F	S	F	S	F	S	F	S	m
9.0 m														2200 ⁽¹⁾	7.14
7.5 m									3000 ⁽¹⁾				2200 ⁽¹⁾	7.92	
6.0 m									3400 ⁽¹⁾				2100 ⁽¹⁾	8.77	
4.5 m									3700 ⁽¹⁾	3300	3100 ⁽¹⁾	2300	2050 ⁽¹⁾	9.36	
3.0 m					6100 ⁽¹⁾		4850 ⁽¹⁾	4600	4250 ⁽¹⁾	3100	3750	2200	2100 ⁽¹⁾	1900	9.71
1.5 m					8400 ⁽¹⁾	6650	6000 ⁽¹⁾	4250	4850 ⁽¹⁾	2950	3650	2100	2200 ⁽¹⁾	1800	9.79
0.0 m					9850 ⁽¹⁾	6250	6850	4000	4800	2800	3550	2050	2400 ⁽¹⁾	1800	9.63
-1.5 m	4250 ⁽¹⁾		8300 ⁽¹⁾		10350 ⁽¹⁾	6050	6700	3900	4700	2750	3500	2000	2800 ⁽¹⁾	1950	9.19
-3.0 m	8550 ⁽¹⁾		10500 ⁽¹⁾		10000 ⁽¹⁾	6050	6700	3850	4700	2700			3400 ⁽¹⁾	2250	8.45
-4.5 m			12450 ⁽¹⁾		8850 ⁽¹⁾	6200	6500 ⁽¹⁾	3950					4600 ⁽¹⁾	2900	7.32

(1) Capacity is limited by hydraulics rather than by a tipping load. Lift capacities are based on "ISO 10567" standards. The listed capacities do not exceed 87 percent of the hydraulic lifting capacity or 75 percent of the tipping capacity. Weight of all lifting accessories must be subtracted from the lifting capacities. Lifting capacities are measured when the machine is working on a flat surface.

Table 82

320D L Excavator with a reach boom, a 3.9 m (12 ft 10 inch) stick, a 0.58 m ³ (0.8 yd ³) bucket, and 700 mm (2 ft 4 inch) triple grouser track shoes															
All lifting capacities are in kilograms.															
H	R														
	1.5 m		3.0 m		4.5 m		6.0 m		7.5 m		9.0		Maximum Reach		
	F	S	F	S	F	S	F	S	F	S	F	S	F	S	m
9.0 m														2150 ⁽¹⁾	7.14
7.5 m									2900 ⁽¹⁾				2100 ⁽¹⁾	7.92	
6.0 m									3250 ⁽¹⁾				2000 ⁽¹⁾	8.77	
4.5 m									3550 ⁽¹⁾	3250	3000 ⁽¹⁾	2250	2000 ⁽¹⁾	9.36	
3.0 m					5900 ⁽¹⁾		4650 ⁽¹⁾	4550	4100 ⁽¹⁾	3100	3700	2200	2000 ⁽¹⁾	1850	9.71
1.5 m					8100 ⁽¹⁾	6600	5750 ⁽¹⁾	4200	4650 ⁽¹⁾	2900	3600	2100	2100 ⁽¹⁾	1750	9.79
0.0 m					9500 ⁽¹⁾	6150	6650 ⁽¹⁾	3950	4750	2750	3500	2000	2350 ⁽¹⁾	1800	9.63
-1.5 m	4100 ⁽¹⁾		8050 ⁽¹⁾		10000 ⁽¹⁾	6000	6650	3850	4650	2700	3450	2000	2650 ⁽¹⁾	1900	9.19
-3.0 m	8300 ⁽¹⁾		10200 ⁽¹⁾		9650 ⁽¹⁾	6000	6600	3800	4600	2650			3300 ⁽¹⁾	2200	8.45
-4.5 m			12000 ⁽¹⁾		8500 ⁽¹⁾	6100	6250 ⁽¹⁾	3900					4450 ⁽¹⁾	2900	7.32

(1) Capacity is limited by hydraulics rather than by a tipping load. Lift capacities are based on "ISO 10567" standards. The listed capacities do not exceed 87 percent of the hydraulic lifting capacity or 75 percent of the tipping capacity. Weight of all lifting accessories must be subtracted from the lifting capacities. Lifting capacities are measured when the machine is working on a flat surface.

Product Information Section
Lifting Capacities

Table 83

320D L Excavator with a reach boom, a 3.9 m (12 ft 10 inch) stick, a 0.58 m ³ (0.8 yd ³) bucket, and 700 mm (2 ft 4 inch) triple grouser track shoes																
All lifting capacities are in kilograms.																
H	R															
	1.5 m		3.0 m		4.5 m		6.0 m		7.5 m		9.0		Maximum Reach			
	F	S	F	S	F	S	F	S	F	S	F	S	F	S	m	
9.0 m															2200 ⁽¹⁾	7.14
7.5 m										3000 ⁽¹⁾				2200 ⁽¹⁾	7.92	
6.0 m									3400 ⁽¹⁾	3350				2100 ⁽¹⁾	8.77	
4.5 m									3700 ⁽¹⁾	3250	3100 ⁽¹⁾	2250	2050 ⁽¹⁾	2050	9.36	
3.0 m					6100 ⁽¹⁾		4850 ⁽¹⁾	4550	4250 ⁽¹⁾	3100	3700	2200	2100 ⁽¹⁾	1850	9.71	
1.5 m					8400 ⁽¹⁾	6600	6000 ⁽¹⁾	4200	4850 ⁽¹⁾	2900	3600	2100	2200 ⁽¹⁾	1750	9.79	
0.0 m					9850 ⁽¹⁾	6150	6800	3950	4750	2750	3500	2000	2400 ⁽¹⁾	1800	9.63	
-1.5 m	4250 ⁽¹⁾		8300 ⁽¹⁾		10350 ⁽¹⁾	6000	6650	3850	4650	2700	3450	2000	2800 ⁽¹⁾	1900	9.19	
-3.0 m	8550 ⁽¹⁾		10500 ⁽¹⁾		10000 ⁽¹⁾	6000	6600	3800	4600	2650			3400 ⁽¹⁾	2200	8.45	
-4.5 m			12450 ⁽¹⁾	12450	8850 ⁽¹⁾	6100	6500 ⁽¹⁾	3900					4600 ⁽¹⁾	2900	7.32	

⁽¹⁾ Capacity is limited by hydraulics rather than by a tipping load. Lift capacities are based on "ISO 10567" standards. The listed capacities do not exceed 87 percent of the hydraulic lifting capacity or 75 percent of the tipping capacity. Weight of all lifting accessories must be subtracted from the lifting capacities. Lifting capacities are measured when the machine is working on an flat surface.

Table 84

320D L Excavator with a reach boom, a 3.9 m (12 ft 10 inch) stick, a 0.58 m ³ (0.8 yd ³) bucket, and 600 mm (1 ft 11 inch) triple grouser track shoes																
All lifting capacities are in kilograms.																
H	R															
	1.5 m		3.0 m		4.5 m		6.0 m		7.5 m		9.0		Maximum Reach			
	F	S	F	S	F	S	F	S	F	S	F	S	F	S	m	
9.0 m															2150 ⁽¹⁾	7.14
7.5 m									2900 ⁽¹⁾					2100 ⁽¹⁾	7.92	
6.0 m									3250 ⁽¹⁾					2000 ⁽¹⁾	8.77	
4.5 m									3550 ⁽¹⁾	3200	3000 ⁽¹⁾	2200	2000 ⁽¹⁾		9.36	
3.0 m					5900 ⁽¹⁾		4650 ⁽¹⁾	4450	4100 ⁽¹⁾	3050	3600	2150	2000 ⁽¹⁾	1800	9.71	
1.5 m					8100 ⁽¹⁾	6500	5750 ⁽¹⁾	4150	4650 ⁽¹⁾	2850	3500	2050	2100 ⁽¹⁾	1750	9.79	
0.0 m					9500 ⁽¹⁾	6050	6650 ⁽¹⁾	3900	4650	2700	3450	1950	2350 ⁽¹⁾	1750	9.63	
-1.5 m	4100 ⁽¹⁾		8050 ⁽¹⁾		10000 ⁽¹⁾	5900	6500	3750	4550	2650	3400	1950	2650 ⁽¹⁾	1850	9.19	
-3.0 m	8300 ⁽¹⁾		10200 ⁽¹⁾		9650 ⁽¹⁾	5900	6450	3700	4550	2600			3300 ⁽¹⁾	2150	8.45	
-4.5 m			12000 ⁽¹⁾		8500 ⁽¹⁾	6000	6250 ⁽¹⁾	3800					4450 ⁽¹⁾	2800	7.32	

⁽¹⁾ Capacity is limited by hydraulics rather than by a tipping load. Lift capacities are based on "ISO 10567" standards. The listed capacities do not exceed 87 percent of the hydraulic lifting capacity or 75 percent of the tipping capacity. Weight of all lifting accessories must be subtracted from the lifting capacities. Lifting capacities are measured when the machine is working on an flat surface.

Table 85

320D L Excavator with a reach boom, a 3.9 m (12 ft 10 inch) stick, a 0.58 m ³ (0.8 yd ³) bucket, and 600 mm (1 ft 11 inch) triple grouser track shoes																
All lifting capacities are in kilograms.																
H	R															
	1.5 m		3.0 m		4.5 m		6.0 m		7.5 m		9.0		Maximum Reach			
	F	S	F	S	F	S	F	S	F	S	F	S	F	S	m	
9.0 m															2200 ⁽¹⁾	7.14
7.5 m										3000 ⁽¹⁾				2200 ⁽¹⁾	7.92	
6.0 m									3400 ⁽¹⁾	3300				2100 ⁽¹⁾	8.77	
4.5 m									3700 ⁽¹⁾	3200	3100 ⁽¹⁾	2200	2050 ⁽¹⁾	2000	9.36	
3.0 m					6100 ⁽¹⁾		4850 ⁽¹⁾	4450	4250 ⁽¹⁾	3050	3600	2150	2100 ⁽¹⁾	1800	9.71	
1.5 m					8400 ⁽¹⁾	6500	6000 ⁽¹⁾	4150	4800	2850	3500	2050	2200 ⁽¹⁾	1750	9.79	
0.0 m					9850 ⁽¹⁾	6050	6650	3900	4650	2700	3450	1950	2400 ⁽¹⁾	1750	9.63	
-1.5 m	4250 ⁽¹⁾		8300 ⁽¹⁾		10350 ⁽¹⁾	5900	6500	3750	4550	2650	3400	1950	2800 ⁽¹⁾	1850	9.19	
-3.0 m	8550 ⁽¹⁾		10500 ⁽¹⁾		10000 ⁽¹⁾	5900	6450	3700	4550	2600			3400 ⁽¹⁾	2150	8.45	
-4.5 m			12450 ⁽¹⁾	12250	8850 ⁽¹⁾	6000	6500 ⁽¹⁾	3800					4600 ⁽¹⁾	2800	7.32	

⁽¹⁾ Capacity is limited by hydraulics rather than by a tipping load. Lift capacities are based on "ISO 10567" standards. The listed capacities do not exceed 87 percent of the hydraulic lifting capacity or 75 percent of the tipping capacity. Weight of all lifting accessories must be subtracted from the lifting capacities. Lifting capacities are measured when the machine is working on an flat surface.

Provided for Free by Tremco
Shop Aftermarket Parts

Identification Information

i04195693

Plate Locations and Film Locations

SMCS Code: 1000; 7000

The Product Identification Number (PIN) will be used to identify a powered machine that is designed for an operator to ride.

Caterpillar products such as engines, transmissions, and major attachments that are not designed for an operator to ride are identified by Serial Numbers.

For quick reference, record the identification numbers in the spaces that are provided below the illustration.

Product Identification Number (PIN) and CE Plate

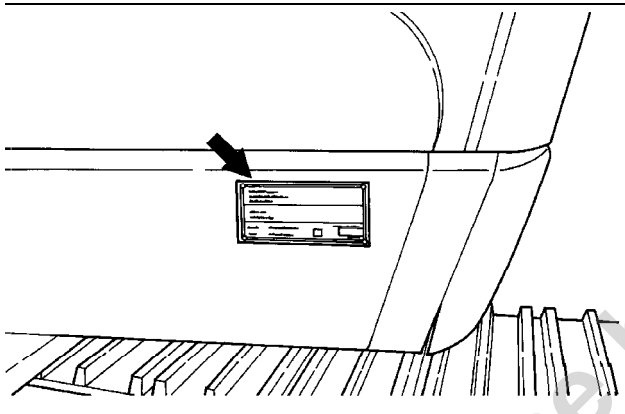


Illustration 54

g00675011

The PIN plate is positioned on the front of the machine, close to the operator compartment.

- Model _____
 - PIN _____
- Year Of Manufacture (YOM) _____

CE Plate

Note: The CE plate is on machines that are going into the European Union.

Note: The CE plate is on machines that are certified to the European Union requirements that were effective at that time.

If the machine is equipped with the plate for the European Union, this plate will be attached to the PIN plate. Several pieces of information are stamped onto the "CE" plate.

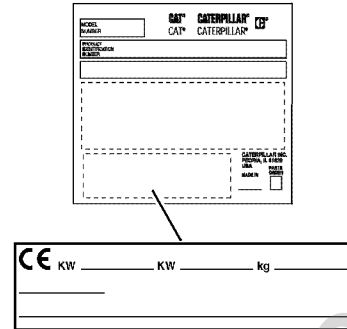


Illustration 55

g01883459

For machines that are compliant to "2006/42/EC", the following information is stamped onto the CE plate. For quick reference, record this information in the spaces that are provided.

- Primary Engine Power (kW) _____
- Additional Engine Power (kW) _____
- Typical Machine Weight (kg) _____
- Year of Construction _____
- Machine Type _____

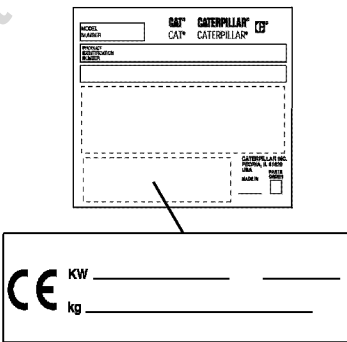


Illustration 56

g01120192

For machines that are compliant to "1998/42/EC", the following information is stamped onto the CE plate. For quick reference, record this information in the spaces that are provided below.

- Primary Engine Power (kW) _____
- Typical Machine Weight (kg) _____
- Year of Construction _____

For the name, the address and the country of origin for the manufacturer, see the PIN plate.

Engine Serial Number

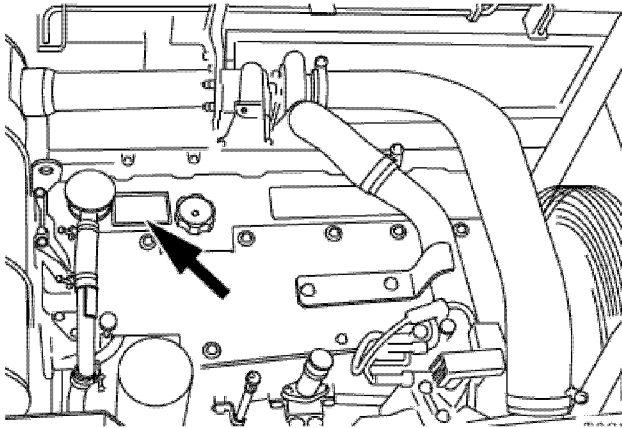


Illustration 57

g01344117

Engine Serial Number _____

Sound Certification Film

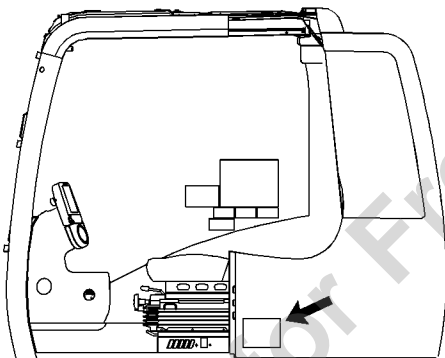


Illustration 58

g01221131

If equipped, this label is located on the inside of the cab door.

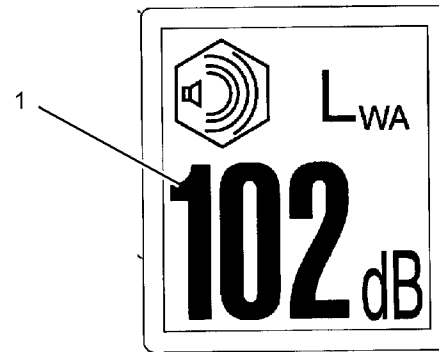


Illustration 59

g01221132

Typical example

If equipped, the certification label is used to verify the environmental sound certification of the machine to the requirements of the European Union. The value (1) that is listed on the label indicates the guaranteed exterior sound power level L_{WA} at the time of manufacture for the conditions that are specified in "2000/14/EC".

i04019095

Emissions Certification Film

SMCS Code: 1000; 7000; 7405

Note: This information is pertinent in the United States, in Canada and in Europe.

Consult your Cat dealer for an Emission Control Warranty Statement.

This label is located on the engine.

Operation Section

Before Operation

i04021647

Mounting and Dismounting

SMCS Code: 6700; 7000

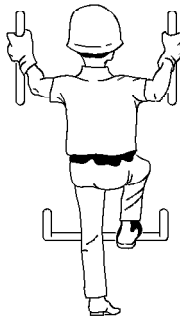


Illustration 60

g00037860

Typical example

Mount the machine and dismount the machine only at locations that have steps and/or handholds. Before you mount the machine, clean the steps and the handholds. Inspect the steps and handholds. Make all necessary repairs.

Face the machine whenever you get on the machine and whenever you get off the machine.

Maintain a three-point contact with the steps and with the handholds.

Note: Three-point contact can be two feet and one hand. Three-point contact can also be one foot and two hands.

Do not mount a moving machine. Do not dismount a moving machine. Never jump off the machine. Do not carry tools or supplies when you try to mount the machine or when you try to dismount the machine. Use a hand line to pull equipment onto the platform. Do not use any controls as handholds when you enter the operator compartment or when you exit the operator compartment.

Machine Access System Specifications

The machine access system has been designed to meet the intent of the technical requirements in "ISO 2867 Earth-moving Machinery – Access Systems". The access system provides for operator access to the operator station and to conduct the maintenance procedures described in Maintenance section.

Alternate Exit

Machines that are equipped with cabs have alternate exits. For additional information, see Operation and Maintenance Manual, "Alternate Exit".

i01944940

Daily Inspection

SMCS Code: 1000; 6319; 6700; 7000

! WARNING

Hot oil and hot components can cause personal injury. Do not allow hot oil or hot components to contact skin.

At operating temperature, the engine coolant is hot and under pressure.

Steam can cause personal injury.

Check the coolant level only after the engine has been stopped and the cooling system pressure cap is cool enough to touch with your bare hand.

Remove the cooling system pressure cap slowly to relieve pressure.

Cooling system conditioner contains alkali. Avoid contact with the skin and eyes to prevent personal injury.

NOTICE

Accumulated grease and oil on a machine is a fire hazard. Remove this debris with steam cleaning or high pressure water, at least every 1000 hours or each time any significant quantity of oil is spilled on a machine.

For maximum service life of the machine, perform a thorough daily inspection before you mount the machine and before you start the engine.

First 100 Hours

Daily, perform the procedures that are applicable to your machine:

Operation Section
Daily Inspection

- Operation and Maintenance Manual, “Boom Cylinder Head (Long Reach Configuration) -Lubricate”
- Operation and Maintenance Manual, “Boom and Stick Linkage - Lubricate”
- Operation and Maintenance Manual, “Boom, Stick and Bucket Linkage (Long Reach Configuration) -Lubricate”
- Operation and Maintenance Manual, “ Bucket Linkage - Lubricate”

Severe Applications

Daily, perform the procedures that are applicable to your machine:

- Operation and Maintenance Manual, “Boom, Stick and Bucket Linkage (Long Reach Configuration) -Lubricate”
- Operation and Maintenance Manual, “ Bucket Linkage - Lubricate”

Daily Basis

Daily, perform the procedures that are applicable to your machine:

- Operation and Maintenance Manual, “Cooling System Level - Check”
- Operation and Maintenance Manual, “Engine Oil Level - Check”
- Operation and Maintenance Manual, “Fuel System Water Separator - Drain”
- Operation and Maintenance Manual, “Fuel Tank Water and Sediment - Drain”
- Operation and Maintenance Manual, “Hydraulic System Oil Level - Check”
- Operation and Maintenance Manual, “Indicators and Gauges - Test”
- Operation and Maintenance Manual, “Seat Belt - Inspect”
- Operation and Maintenance Manual, “Track Adjustment - inspect”
- Operation and Maintenance Manual, “Travel Alarm - Test”
- Operation and Maintenance Manual, “Undercarriage - Check”

Refer to the Maintenance Section for the detailed procedures. Refer to the Maintenance Interval Schedule for a complete list of scheduled maintenance.

Note: Watch closely for leaks. If you observe a leak, find the source of the leak and correct the leak. If you suspect a leak or you observe a leak, check the fluid levels more frequently.

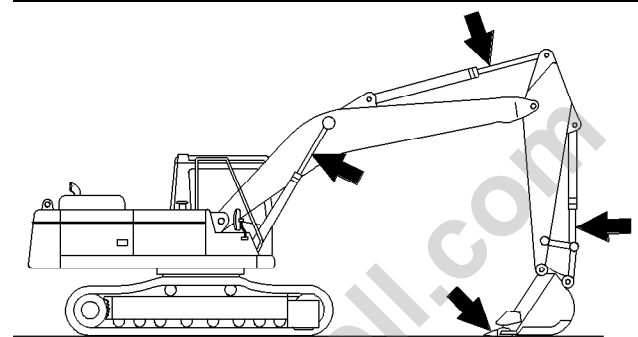


Illustration 61

g00101867

Inspect the attachment control linkage, attachment cylinders, and attachment for damage or excessive wear. Make any necessary repairs.

Inspect the lights for broken bulbs and for broken lenses. Replace any broken bulbs and any broken lenses.

Inspect the engine compartment for any trash buildup. Remove any trash buildup from the engine compartment.

Inspect the cooling system for any leaks, for faulty hoses and for any trash buildup. Correct any leaks. Remove any trash from the radiator.

Inspect all of the belts for the engine attachments. Replace any belts that are worn, frayed, or broken.

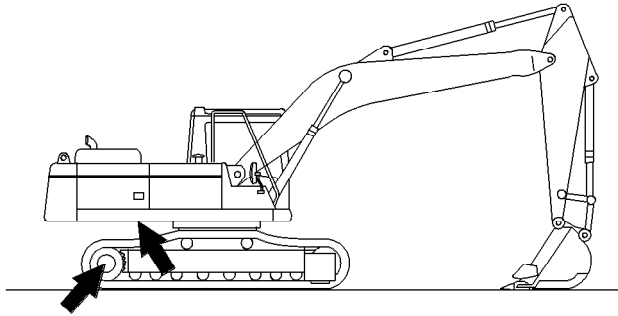


Illustration 62

g00101870

Inspect the hydraulic system for leaks. Inspect the tank, cylinder rod seals, hoses, tubes, plugs, connections, and fittings. Correct any leaks in the hydraulic system.

Inspect the differential and the final drives for leaks. Make any necessary repairs.

Inspect the swing drive for leaks.

Make sure that all covers and guards are securely attached. Inspect the covers and the guards for damage.

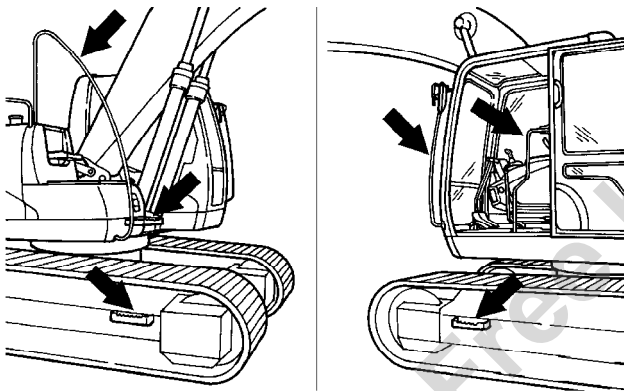


Illustration 63

g00688177

Inspect the steps, the walkways, and the handholds. Clean the steps, the walkways, and the handholds. Make any necessary repairs.

Inspect the operator compartment for trash buildup. Check for trash buildup under the floorplate and on the crankcase guard. Keep these areas clean.

Adjust the mirrors in order to achieve the best visibility.

Machine Operation

i02719725

Alternate Exit

SMCS Code: 7310

Rear Window with Ring Seal (If Equipped)

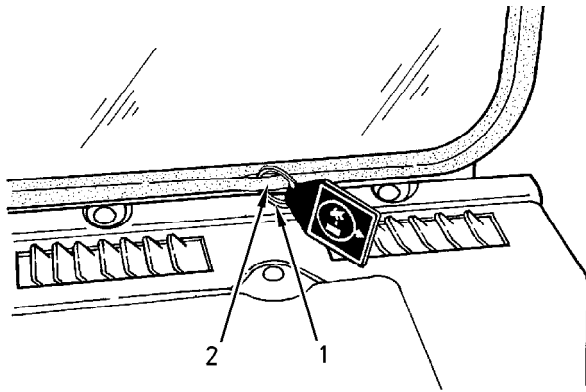


Illustration 64

g00681020

- (1) Ring
- (2) O-ring seal

The rear window serves as an alternate exit.

To remove the rear window, pull ring (1) and push out the glass.

Completely remove O-ring seal (2) from the seal that supports the glazing support seal. This will provide enough clearance so that the seal can hinge and the glazing can pass outward.

Hammer

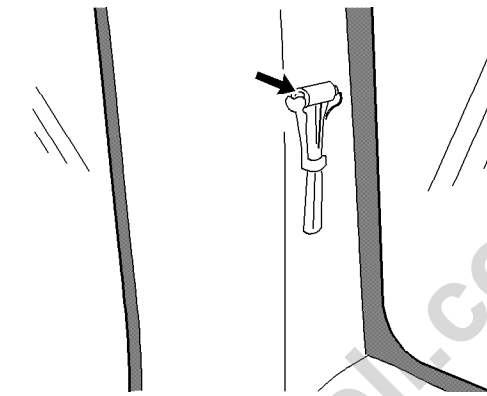


Illustration 65

g00748659



Alternate Exit – The rear window serves as an alternate exit.



Break Glass – Perform the following procedure in order to exit through the rear window. A hammer is mounted on the left side of the cab. Strike the rear window with the hammer in order to break the glass. Climb through the opening of the rear window in order to exit the cab.

Rear Window with Lever (If Equipped)

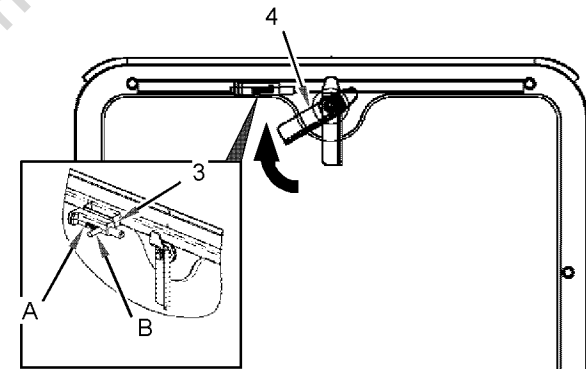


Illustration 66

g01137161

- (3) Lock pin
- (4) Lever
- (A) Unlocked position
- (B) Locked position

The rear window serves as an alternate exit. The rear window can be removed from the inside of the cab or from the outside of the cab.

Note: When lock pin (3) is in the locked position (B), the rear window cannot be removed. When you operate the machine, place lock pin (3) in unlocked position (A).

Removing Rear Window from the Inside

1. Place lock pin (3) in unlocked position (A).
2. Grip the lever (4). Fully turn the lever in the direction of the arrow and push the rear window outward.

Removing Rear Window from the Outside

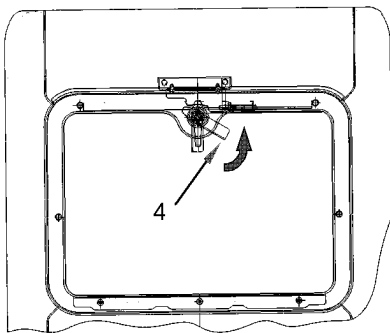


Illustration 67

g01137162

1. Make sure that lock pin (3) is in the unlocked position (A).
2. Grip lever (4). Fully turn the lever in the direction of the arrow and pull backward in order to remove the window.

i03210934

Seat

SMCS Code: 5258-025; 7312-025; 7324; 7327

Early Type

Put the hydraulic lockout control in the LOCKED position. For further details on this procedure, refer to Operation and Maintenance Manual, "Operator Controls". Do this procedure before you adjust the seat and the console. This will prevent any possibility of unexpected movement of the machine.

Adjust the seat at the beginning of each work period and adjust the seat when you change operators.

Always use the seat belt when you operate the machine. For further details on this procedure, refer to Operation and Maintenance Manual, "Seat Belt".

The seat should be adjusted so that full pedal travel is allowed.

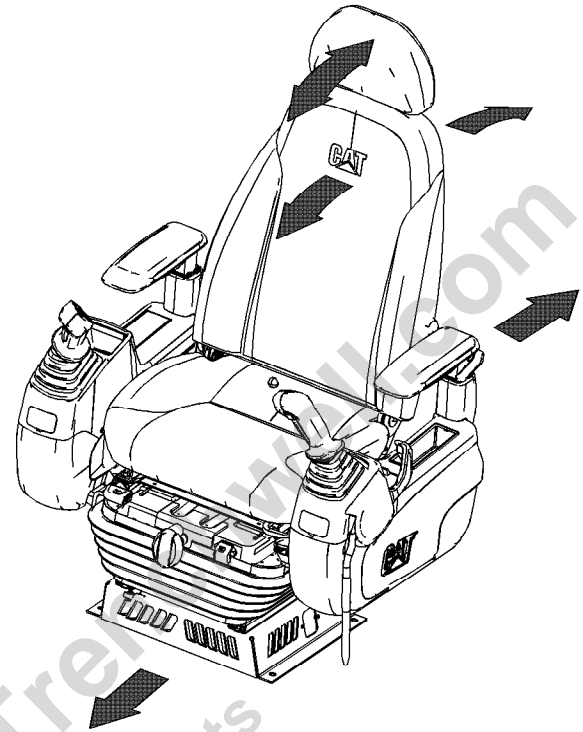


Illustration 68

g01098275

The operator can adjust the seat position forward or backward. The operator may also adjust the seat back tilt. Select the desired position in order to allow full pedal travel and full lever travel.

The seat and the consoles can also slide as one unit.

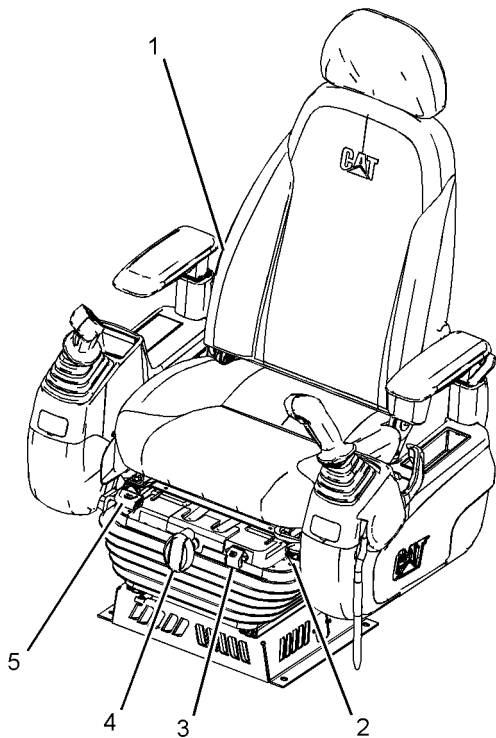


Illustration 69

g01120894

To adjust the seat back tilt, move lever (1) and move the seat back to the desired position.

Pull up lever (2) in order to change the angle of the seat. Hold the seat in the desired position. Release the lever.

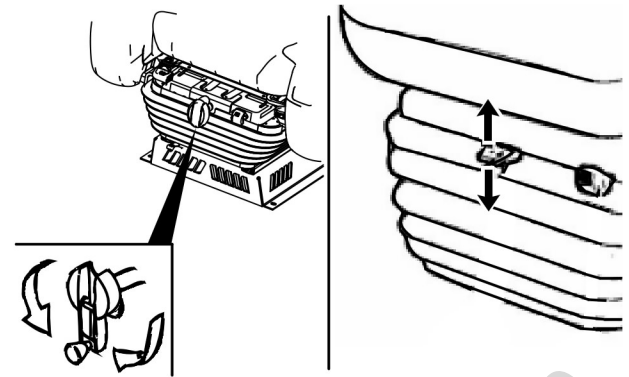


Illustration 70

g01120901

Use handle (4) in order to adjust the height of the seat. Place the handle in the operating position. Turning the handle clockwise increases the height of the seat. Turning the handle counterclockwise decreases the height of the seat. If your machine is equipped with an air ride suspension, the seat will be equipped with a lever. Pull up the lever in order to raise the height of the seat. Push down on the lever in order to lower the seat. If the adjustment is correct, indicator (3) will turn green. If the indicator shows red, further adjustment is required.

To adjust the seat forward or backward, pull up lever (5) and hold the lever. Move the seat to the desired position. To lock the seat in the selected position, release the lever.

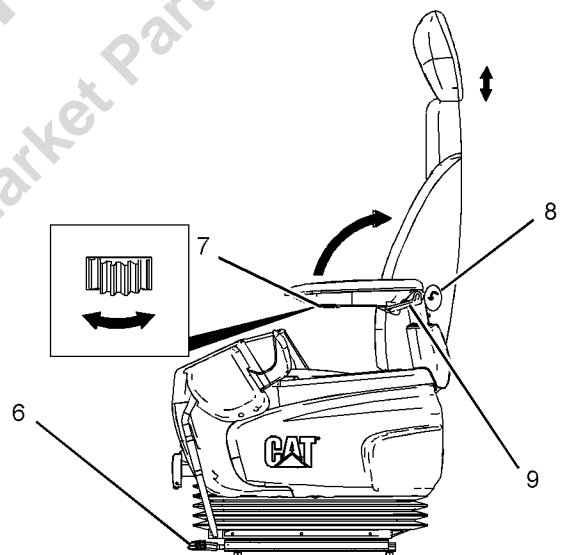


Illustration 71

g01120893

To move the seat, the left console, and the right console forward or backward as one unit, pull up lever (6) and hold the lever. Hold the seat in the desired position. Release the lever in order to lock the seat, the left console, and the right console.

To adjust the angle of the armrest, operate dial (7). A dial is on the bottom of each armrest. Place the armrests in the upright position when you enter the machine or when you exit the machine.

The lumbar support is located in the back of the seat. Turn knob (8) (if equipped) counterclockwise in order to increase the force of the lumbar support. In order to decrease the lumbar support, continue to turn the knob counterclockwise.

The height of the armrest can be adjusted. Squeeze lever (9) in order to adjust the height of the armrest. Move the armrest upward or move the armrest downward. Release the lever when the armrest is in the desired position.

The operator can adjust the height of headrest (if equipped). To adjust the headrest, hold the headrest with both hands. Move the headrest up and down. Release the headrest when the desired position is attained. The headrest will remain in the desired position.

Later Type

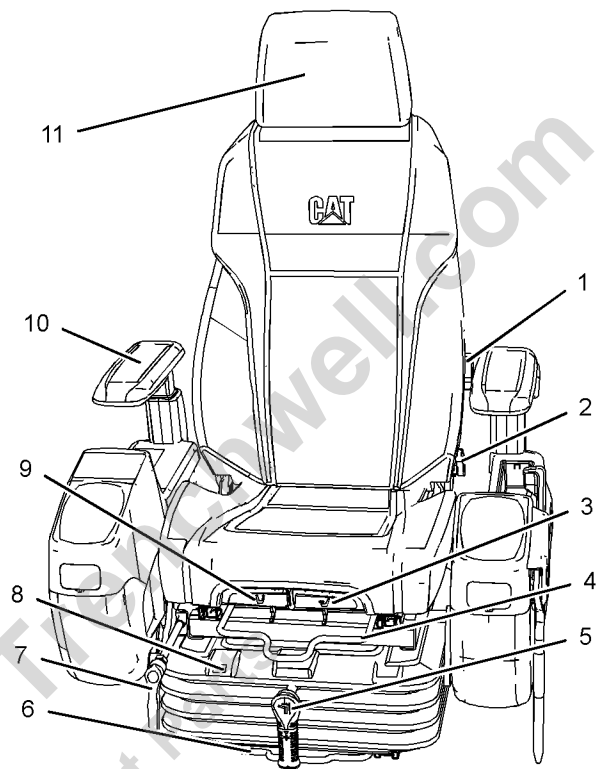


Illustration 72

g01636841

- (1) Adjustment lever for the lumbar support
- (2) Adjustment lever for reclining the seat
- (3) Lever for the seat cushion adjustment
- (4) Seat fore and aft adjustment.
- (5) Seat height adjustment
- (6) Fore and aft seat and console adjustment
- (7) Console adjustment
- (8) Indicator
- (9) Seat angle lever
- (10) Armrest
- (11) Headrest

The lumbar support is located in the back of the seat. Turn knob (1) (if equipped) counterclockwise in order to increase the force of the lumbar support. In order to decrease the lumbar support, continue to turn the knob counterclockwise.

Pull up lever (2) in order to change the angle of the seat. Hold the seat back in the desired position. Release the lever.

Push in lever (3) in order to adjust the length of the cushion.

Operation Section Seat Belt

To adjust the seat forward or backward, pull up lever (4) and hold the lever. Move the seat to the desired position. To lock the seat in the selected position, release the lever.

Note: Before adjusting the seat forward or backward, make sure that the lever for the seat height adjustment (5) is in the downward position.

Turn lever (5) in order to adjust the seat and the console to the desired height. In order to raise the seat height, pull the grip downward and rotate the grip with the plus sign outward. In order to lower the seat height, pull the grip downward and rotate the grip with the minus sign outward. Release grip in order to return to the original position.

Pull lever (6) in order to adjust the seat and the console forward and backward.

Use handle (7) in order to adjust the height of the console. When the lever is pulled forward, a gear is released. The operator can rotate the lever freely. Release the lever in order to return to the original position.

Push the lever (9) in order to adjust the tilt angle of the seat.

The operator can adjust the height of headrest (11). To adjust the headrest, hold the headrest with both hands. Move the headrest up and down. Release the headrest when the desired position is attained. The headrest will remain in the desired position.

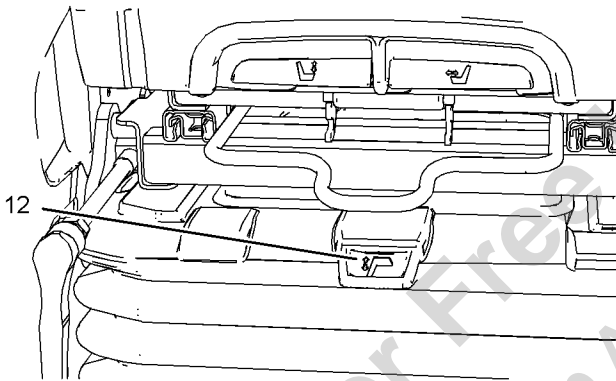


Illustration 73

g01637296

If your machine is equipped with an air ride suspension, the seat will be equipped with a lever (12). Pull up the lever in order to raise the height of the seat. Push down on the lever in order to lower the seat. If the adjustment is correct, indicator (8) will turn green. If the indicator shows red, further adjustment is required.

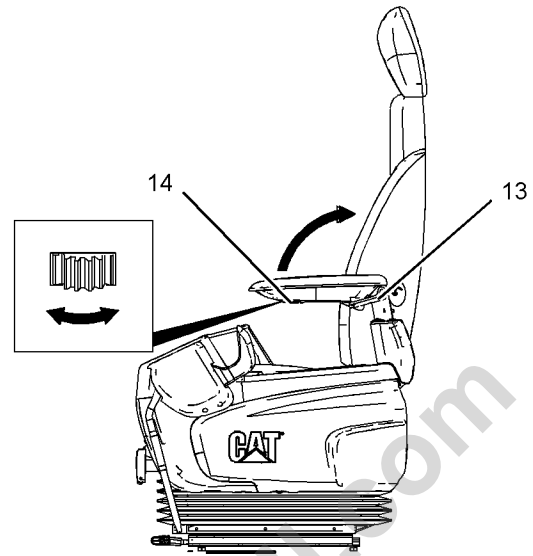


Illustration 74

g01636977

(13) Armrest adjustment knob
(14) Armrest height adjustment

The height of the armrest can be adjusted. Squeeze lever (13) in order to adjust the height of the armrest. Move the armrest upward or move the armrest downward. Release the lever when the armrest is in the desired position.

To adjust the angle of the armrest (10), operate dial (14). A dial is on the bottom of each armrest. Place the armrests in the upright position when you enter the machine or when you exit the machine.

i04200349

Seat Belt

SMCS Code: 7327

Note: This machine was equipped with a seat belt when the machine was shipped from Caterpillar. At the time of installation, the seat belt and the instructions for installation of the seat belt meet the SAE J386 and ISO 6683 standards. Consult your Cat dealer for all replacement parts.

Always check the condition of the seat belt and the condition of the mounting hardware before you operate the machine.

Seat Belt Adjustment for Non-Retractable Seat Belts

Adjust both ends of the seat belt. The seat belt should be snug but comfortable.

Lengthening the Seat Belt

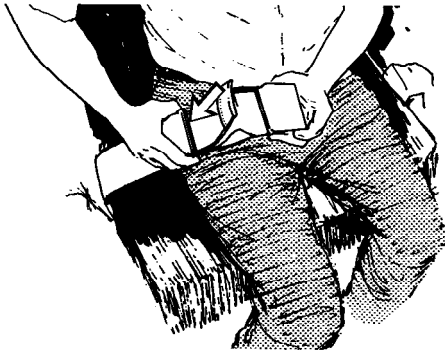


Illustration 75

g00100709

1. Unfasten the seat belt.

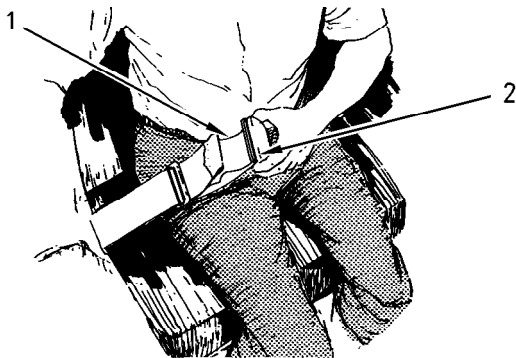


Illustration 76

g00932817

2. To remove the slack in outer loop (1), rotate buckle (2). This will free the lock bar. This permits the seat belt to move through the buckle.
3. Remove the slack from the outer belt loop by pulling on the buckle.
4. Loosen the other half of the seat belt in the same manner. If the seat belt does not fit snugly with the buckle in the center, readjust the seat belt.

Shortening the Seat Belt

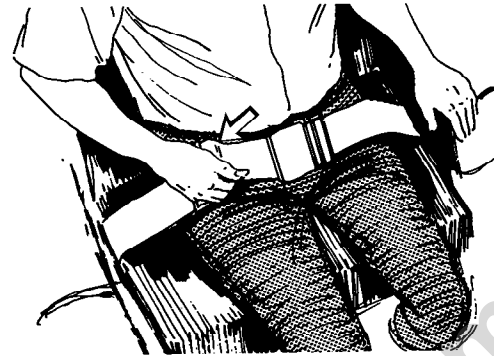


Illustration 77

g00100713

1. Fasten the seat belt. Pull out on the outer belt loop in order to tighten the seat belt.
2. Adjust the other half of the seat belt in the same manner.
3. If the seat belt does not fit snugly with the buckle in the center, readjust the seat belt.

Fastening The Seat Belt

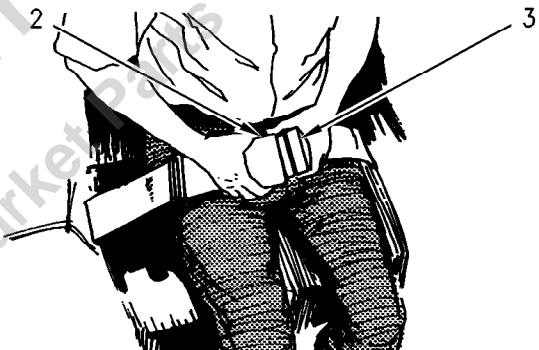


Illustration 78

g00932818

Fasten the seat belt catch (3) into the buckle (2). Make sure that the seat belt is placed low across the lap of the operator.

Releasing The Seat Belt

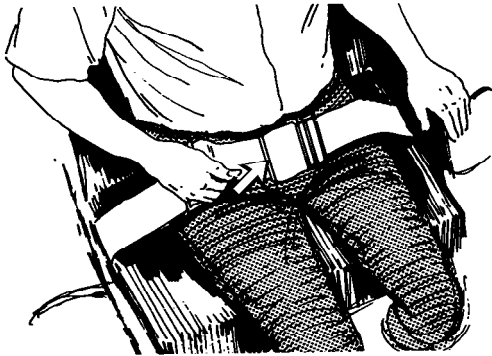


Illustration 79

g00100717

Pull up on the release lever. This will release the seat belt.

Seat Belt Adjustment for Retractable Seat Belts

Fastening The Seat Belt

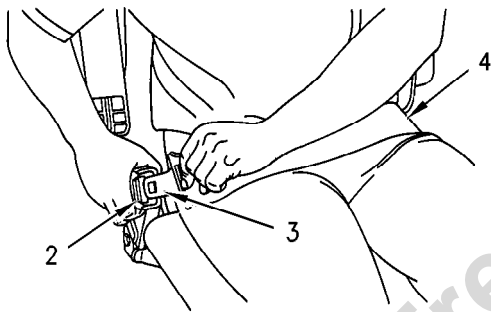


Illustration 80

g00867598

Pull seat belt (4) out of the retractor in a continuous motion.

Fasten seat belt catch (3) into buckle (2). Make sure that the seat belt is placed low across the lap of the operator.

The retractor will adjust the belt length and the retractor will lock in place. The comfort ride sleeve will allow the operator to have limited movement.

Releasing The Seat Belt

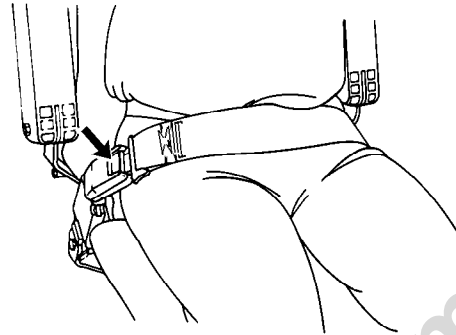


Illustration 81

g00039113

Push the release button on the buckle in order to release the seat belt. The seat belt will automatically retract into the retractor.

Extension of the Seat Belt

WARNING

When using retractable seat belts, do not use seat belt extensions, or personal injury or death can result.

The retractor system may or may not lock up depending on the length of the extension and the size of the person. If the retractor does not lock up, the seat belt will not retain the person.

Longer, non-retractable seat belts and extensions for the non-retractable seat belts are available.

Caterpillar requires only non-retractable seat belts to be used with a seat belt extension.

Consult your Cat dealer for longer seat belts and for information on extending the seat belts.

i05782287

Operator Controls

SMCS Code: 7300; 7301; 7451

Note: Your machine may not be equipped with all of the controls that are described in this topic.

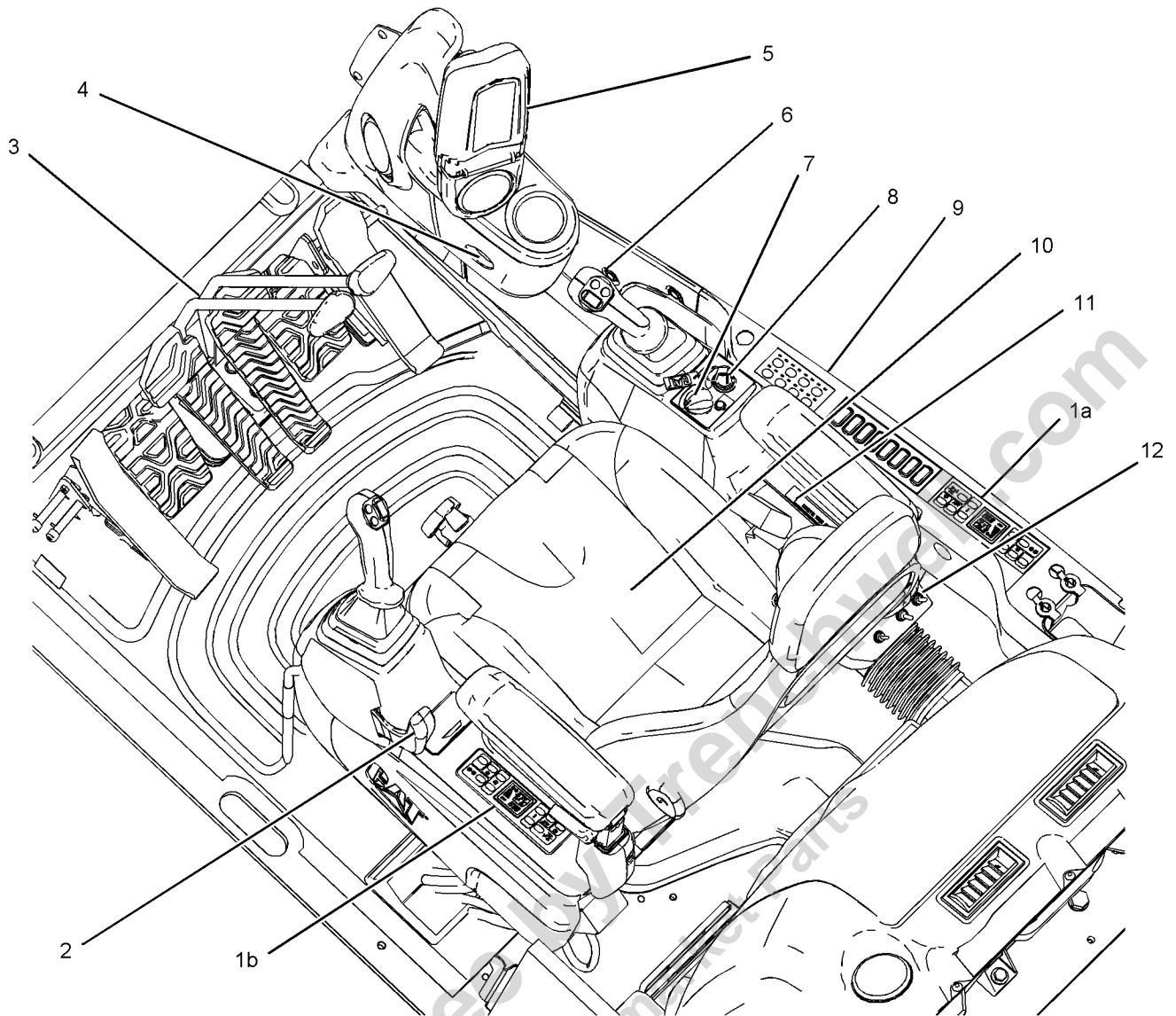


Illustration 82

g03654245

- (1a) Air Conditioning and Heater Control
(Early type and location)
- (1b) Air Conditioning and Heater Control
(Later type and location)
- (2) Hydraulic Lockout Control

- (3) Travel Controls
- (4) Service Hour Meter
- (5) Monitor
- (6) Joystick Controls
- (7) Engine Speed Control

- (8) Engine Start Switch
- (9) Right Side Control Panel
- (10) Operator's Seat
- (11) Radio
- (12) Backup Controls (If Equipped)

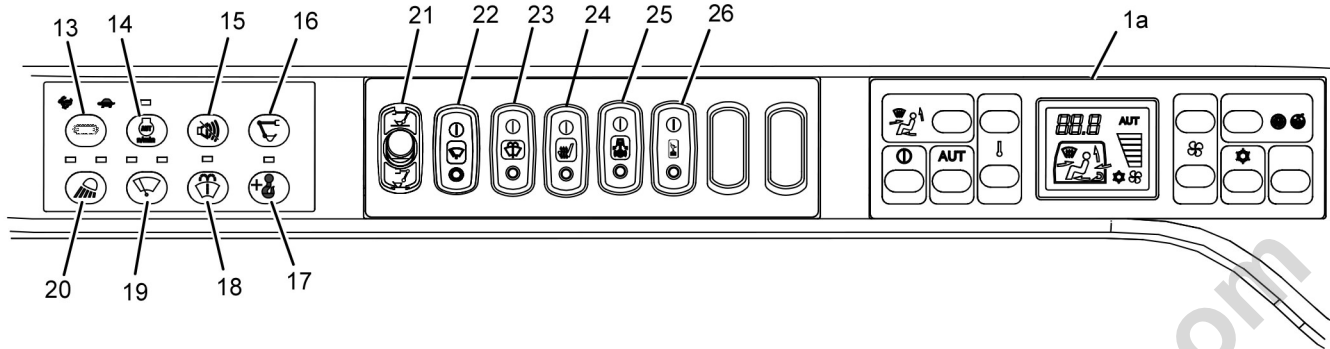


Illustration 83

g03666599

Right Side Control Panel

- | | | |
|---|----------------------------|------------------------------|
| (1a) Air Conditioning and Heater Control
(Early type and location) | (17) Heavy Lift Control | (23) Lower Window Washer |
| (13) Travel Speed Control | (18) Upper Window Washer | (24) Seat heater |
| (14) Automatic Engine Speed Control (AEC) | (19) Upper Window Wiper | (25) Fine Swing Control |
| (15) Travel Alarm Cancel Switch | (20) Light Switch | (26) Overload Warning Device |
| (16) Work Tool Control | (21) Quick Coupler Control | |
| | (22) Lower Window Wiper | |

Air Conditioning and Heating Control (1a - 1b)

The heater/air conditioner provides comfort for the operator that is working under various temperature conditions. For more information on the air conditioning and heating controls, refer to Operation and Maintenance Manual, "Air Conditioning and Heating Control".

Hydraulic Lockout Control (2)

The lever for the hydraulic lockout control is located at the left side of the left console.



Locked – Move the travel levers/pedals and move the joysticks to the **HOLD** (center) position. Move the lever for the hydraulic lockout control backward to the **LOCKED** position. This makes all of the factory installed hydraulic controls inoperable.

Note: Make sure that the lever for the hydraulic lockout control is in the LOCKED position before attempting to start the engine. If the lever is in the UNLOCKED position, the engine start switch will not function.



Unlocked – Move the lever for the hydraulic lockout control forward to the **UNLOCKED** position. This makes all of the factory installed hydraulic controls operable.

Travel Controls (3)

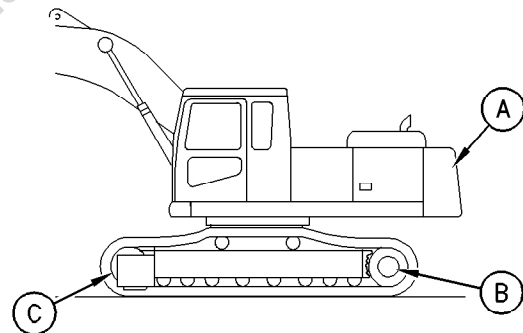


Illustration 84

g00753277

Position for normal travel

- (A) Rear of machine
- (B) Final drive
- (C) Idler

When you travel, make sure that final drive sprockets (B) are under the rear of the machine.

Stop – Release the travel levers/pedals in order to stop the machine. When you release the travel levers/pedals from any position, the travel levers/pedals will return to the CENTER position. This applies the travel brakes.

Move both of the travel levers or both of the travel pedals equally in the same direction in order to travel straight.

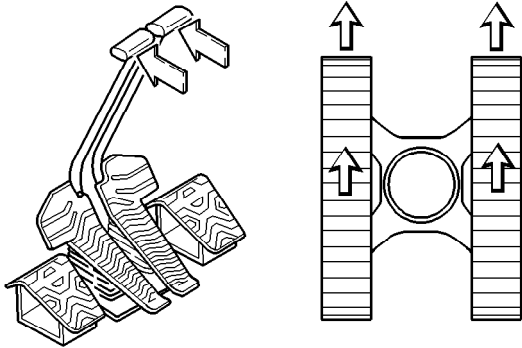


Illustration 85
Forward Travel
g00731542

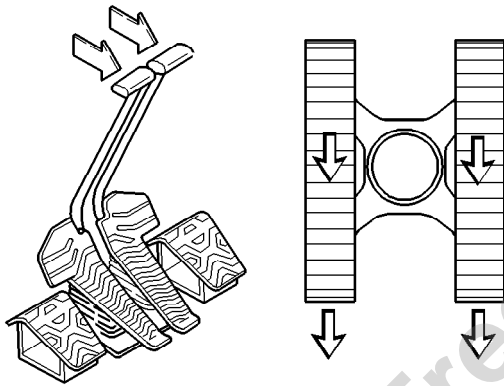


Illustration 86
Reverse Travel
g00731543

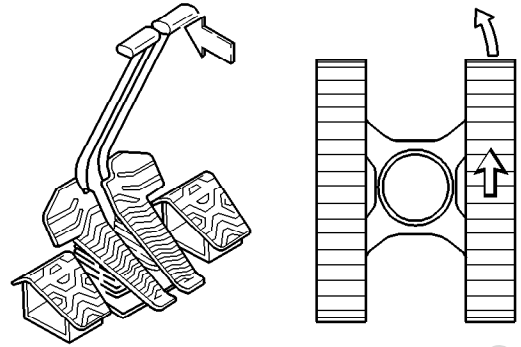


Illustration 87
Pivot Left Turn (Forward)
g00731472

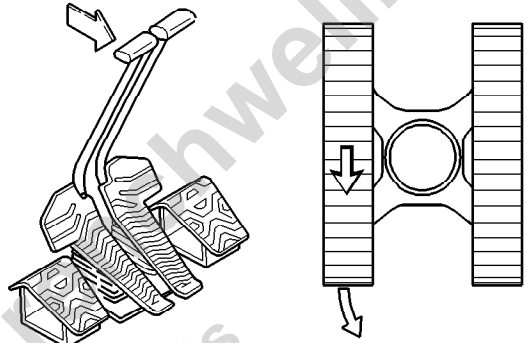


Illustration 88
Pivot Left Turn (Reverse)
g00731478

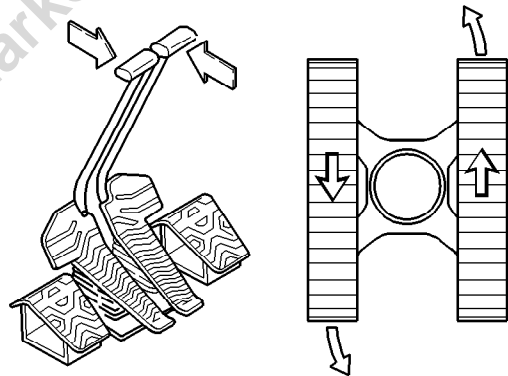


Illustration 89
Counterrotate Turn (Left)
g00731476

Provided for Free by [TruckParts.com](http://www.TruckParts.com)
Shop Aftermarket Parts

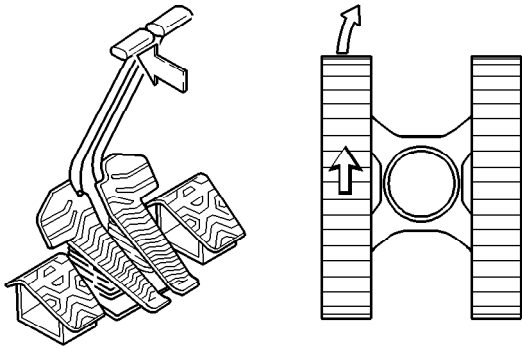


Illustration 90

g00731471

Pivot Right Turn (Forward)

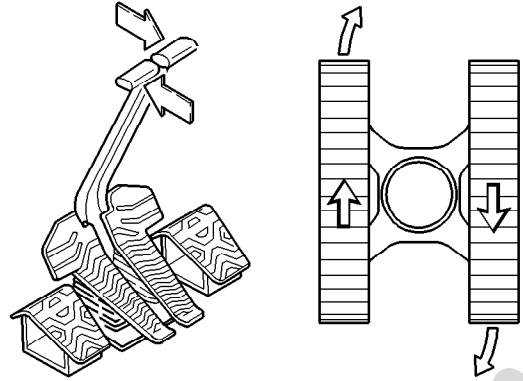


Illustration 92

g00731477

Counterrotate Turn (Right)

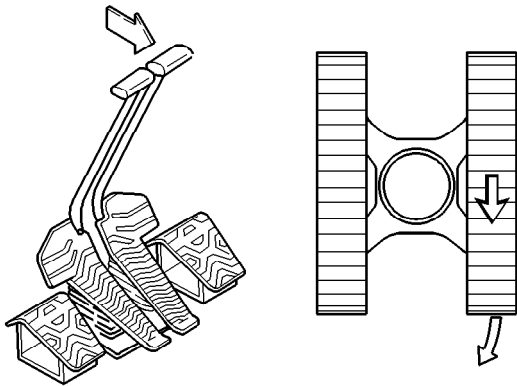


Illustration 91

g00731479

Pivot Right Turn (Reverse)

Service Hour Meter (4)



Service Hour Meter – This display indicates the total operating hours of the engine. Use the display to determine the service hour maintenance intervals.

Monitor (5)

The monitor is used in order to display various operating information of the machine. For more information on the operation of the monitor, refer to Operation and Maintenance Manual, "Monitoring System".

Joystick Controls (6)

The joystick control is used to control the functions of the work tools. For more information on the individual functions of the joysticks, refer to Operation and Maintenance Manual, "Joystick Controls".

Engine Speed Control (7)



Engine Speed – Turn the engine speed dial in order to control the engine speed (engine rpm). Select the desired position from the ten available positions. The selected position of the engine speed panel is indicated on the electronic monitor panel.



Decrease – Turn the engine speed dial counterclockwise in order to decrease the engine speed (engine rpm).



Increase – Turn the engine speed dial clockwise in order to increase the engine speed (engine rpm).

Back up Method for Controlling Engine Speed

If the control system does not work due to a malfunction and the engine speed cannot be adjusted by the engine speed dial, the following method will allow you to adjust the engine speed temporarily. Make repairs as soon as possible.

Check the message display for any error messages. If the error message "ECM ERROR" is displayed, there is a problem in the electronic controller. See "Backup Controls (12) (If Equipped)".

If the engine speed cannot be adjusted by the engine speed dial and the indicator for the electronic controller does not come on, see "Backup Controls (12) (If Equipped)".

Note: Even if you cannot control the engine speed, you can turn the engine on and off with the engine start switch.

Engine Start Switch (8)

NOTICE

The engine start switch must be in the ON position and the engine must be running in order to maintain electrical functions and hydraulic functions. This procedure must be followed in order to prevent serious machine damage.



OFF – Insert the engine start switch key only while the start switch is in the OFF position. Remove the engine start switch key only while the engine start switch is in the OFF position. Turn the engine start switch to the OFF position before you attempt to restart the engine. Turn the engine start switch to the OFF position in order to stop the engine.



ON – Turn the engine start switch clockwise to the ON position in order to activate all cab circuits.



START – Turn the engine start switch clockwise to the START position in order to crank the engine. Release the engine start switch key after the engine starts. The start switch will return to the ON position.

Note: If the engine does not start after 30 seconds, return the engine start switch to the OFF position. Wait for 2 minutes before you return the engine start switch to the START position.

To start the engine, the battery disconnect switch must be on and the hydraulic lockout control must be in the locked position. For details, see the Operation and Maintenance Manual, "Engine Starting".

Operator's Seat (10)

The operator's seat and the console has various adjustments in order to meet a wide range of operators. For more information, refer to Operation and Maintenance Manual, "Seat".

Radio (11)

This machine may be equipped with a radio. For more information, refer to Operation and Maintenance Manual, "Radio".

Backup Controls (12) (If Equipped)

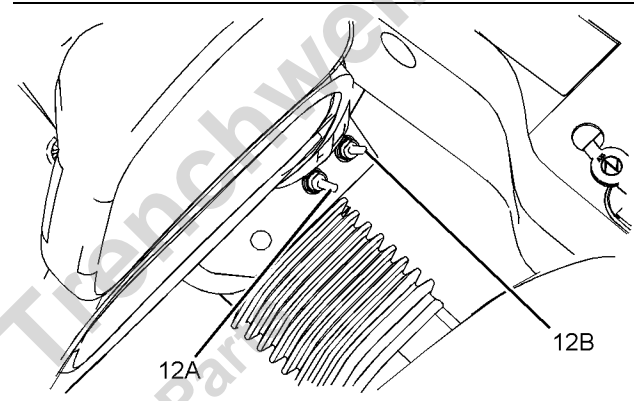


Illustration 93

g03661499

The backup switches are located under the right armrest.



Engine Speed Control – By utilizing these switches, the engine speed can be controlled manually by the operator or the engine speed can be controlled automatically by the electronic controller.



Automatic – When the electronic control system is functioning properly, backup switch (12A) should be in this position.



Manual – If a problem occurs in the electronic control system, move backup switch (12A) to this position in order to disconnect the controller circuit of the electronic controller system. In this condition, the machine can be operated at a reduced ratio of pump output on a temporary basis. "LIMITED MOBILITY MODE" will appear on the message display.



Fast Engine Speed – Move backup switch (12B) to this position in order to increase the engine speed. This backup switch will not operate if backup switch (12A) is not in the **MANUAL** position. When the switch is released the switch returns to the **NEUTRAL** position and the machine will maintain the engine speed. This switch overrides the function of the engine speed dial.



Slow Engine Speed – Move backup switch (12B) to this position in order to decrease the engine speed. This backup switch will not operate if backup switch (12A) is not in the **MANUAL** position. When the switch is released the switch returns to the **NEUTRAL** position and the machine will maintain the engine speed. This switch overrides the function of the engine speed dial.

Travel Speed Control (13)

WARNING

Do not change the setting of the travel speed control switch while you travel. Machine stability may be adversely affected.

Personal injury can result from sudden changes in machine stability.



Travel Speed Control Switch – Press the travel speed control switch in order to select automatic travel speed or low travel speed. When the engine start switch is on, the travel speed control switch is always set at the **LOW SPEED** position. Whenever the travel speed control switch is pressed, the travel speed changes.



LOW SPEED – Select the **LOW SPEED** position if you travel on rough surfaces or on soft surfaces or if you require a great drawbar pull. Also, select the **LOW SPEED** position if you are loading a machine onto a trailer or you are unloading a machine from a trailer.



AUTOMATIC – If you travel on a hard, level surface at a fast speed, select the **AUTO** position.

Note: Continuous driving at high speed should be limited to 2 hours. If you need to continue driving at high speed for more than 2 hours, stop the machine for 10 minutes. This will cool down the travel drives before you resume driving.

Automatic Engine Speed Control (14)

The Automatic Engine Speed Control (AEC) automatically reduces engine speed when the machine is inactive. The AEC system is designed to reduce fuel consumption and noise. Lower engine speeds can also increase engine life.

The AEC system will be inoperable while the backup switch of the electronic controller system is in the **MAN** position.

The engine rpm will recover automatically to the setting of the engine speed dial when any hydraulic function is activated. The AEC system operates in three modes. Refer to Table 87 for a description of each mode.



Automatic Engine Speed Control (AEC) – The Automatic Engine Speed Control switch is activated when the engine start switch is turned to the **ON** position. The indicator lamp will turn on. When you press the AEC switch, the function of the AEC switch changes from **ON** to **OFF**, and vice versa. The operator can choose from three possible modes for automatic engine speed control. Refer to Table 87 for more details.

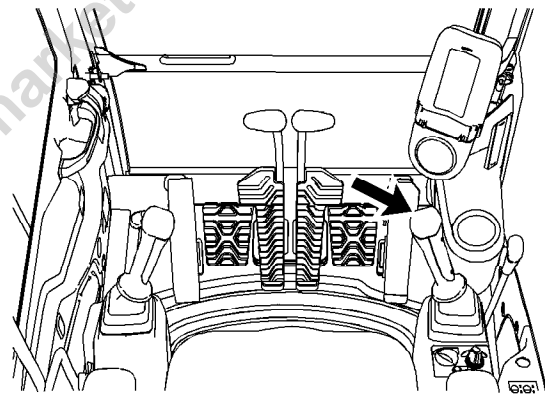


Illustration 94

g01077282

The switch for manual low idle is on the right joystick.

Manual Low Idle – Activate the manual low idle in order to reduce the engine speed to approximately 1020 rpm. Pressing the switch again will allow the engine speed to return to the original setting of the engine speed dial.

The manual low idle allows the operator to easily reduce the rpm without touching the engine speed dial. This is useful when the operator wants to reduce the engine speed in order to talk to someone or while the operator is waiting for a truck.

Operation of the automatic engine speed control depends on the position of the AEC switch and of the switch for manual low idle. The engine rpm will recover automatically to the setting of the engine speed dial when any hydraulic function is activated.

Table 87

AEC Mode	Position of AEC Switch	Setting of Engine Speed Dial	Position of Manual Low Idle Switch	Description of Mode
First stage	OFF	5 to 10	OFF	The electronic controller automatically reduces engine speed by 100 rpm after there has been no hydraulic demand for approximately 3 seconds.
Second stage	ON	5 to 10	OFF	The AEC system in the electronic controller will automatically reduce the engine rpm to approximately 1300 rpm after there has been no hydraulic demand for approximately 3 seconds.
Manual low Idle	ON or OFF	3 to 10	ON	The engine speed is reduced to approximately 1020 rpm.

Travel Alarm Cancel Switch (15)



Travel Alarm Cancel Switch – This switch is used to stop the travel alarm from sounding. Press the switch in order to stop the alarm. The indicator lamp will turn on.

Note: The travel alarm is located under the hydraulic tank. The travel alarm will sound when the travel lever or the travel pedal is activated.

Work Tool Control (16)



Work Tool Control (Switch) – Press this switch in order to display the selected work tool on the monitor display. Press the switch repeatedly in order to change the selected work tool.

Heavy Lift Control (17)

Push this button in order to activate heavy lift mode. Also push this button in order to deactivate heavy lift mode.



Heavy Lift Mode – This work mode increases the relief pressure in the hydraulic circuit, which increases the hydraulic force that is available for lifting operations. The cylinder speed is slower when this mode is selected.

Note: During normal excavation work, the heavy lift control must be in the OFF position.

NOTICE

If this machine is used to lift objects within an area that is controlled by the European Directive “2006/42/EC”, the machine must be equipped with a boom lowering control valve, a stick lowering control valve, and an overload warning device.

Upper Window Wiper and Window Washer (18-19)



Window Washer (18) – Push the switch in order to activate the window washer. While the switch is depressed, the indicator light will come on and washer fluid will spray from the nozzle. The window wiper will also operate while the switch is depressed. After the switch is released for approximately 3 seconds, the window wiper will stop.



Window Wiper (19) – Push the switch in order to activate the window wiper. Whenever the switch is depressed, the mode of the window wiper will change according to the indicator light that is illuminated.

Six Second Delay – When the window wiper switch is depressed one time, the first indicator light will turn on. The window wiper will operate intermittently at six second intervals.

Three Second Delay – When the window wiper switch is depressed two times, the second indicator light will turn on. The window wiper will operate intermittently at three second intervals.

Continuous Operation – When the window wiper switch is depressed three times, the first indicator light and the second indicator light will turn on. The window wiper will operate continuously.

OFF – When the window wiper switch is depressed four times, the indicator lights will turn off. The window wiper stops.

NOTICE

If the wiper does not operate with the switch in the ON position, turn the switch off immediately. Check the cause. If the switch remains on, motor failure can result.

NOTICE

If the washer is used continuously for more than 20 seconds or used when no washer solution comes out, motor failure can result.

Light Switch (20)

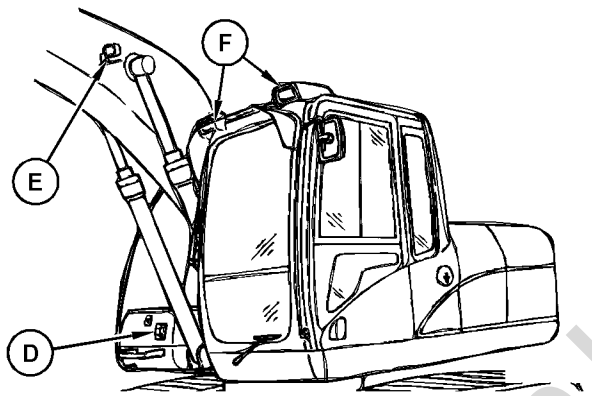


Illustration 95

g01172131



Light Switch – Push the switch in order to turn on the work lights.

Whenever you push the switch, you change the pattern of the work lights that are turned on. The indicator lights in the cab indicate the pattern of the work lights.

Pattern 1 – When you press the light switch once, the first indicator light turns on. When the first indicator light is on, the following work lights are turned on: work light (D), which is mounted on the chassis, and work lights (F), which are mounted on the cab.

Pattern 2 – When you press the light switch twice, the first indicator light and the second indicator light turn on. When the first indicator light and the second indicator lights are on, the following work lights are turned on: work light (D), which is mounted on the

chassis, work lights (F), which are mounted on the cab, and work lights (E), which are mounted on the boom.

OFF – When both of the indicator lights are off, all of the work lights are off.

Note: Your machine may be equipped with a lighting system that has a time delay. When this system is installed, cab lights (F) will not turn off for a predetermined amount of time after the engine start key has been turned to the OFF position. The time delay can vary from 0 seconds to 90 seconds. For further details, consult your Caterpillar dealer.

Quick Coupler Control (21)



LOCK – Move the switch to this position in order to engage the quick coupler onto the work

tool.



UNLOCKED – Move the switch to this position in order to disengage the coupler from the

work tool.

Note: An alarm will sound whenever the switch is in the UNLOCKED position.

For further details, see Operation and Maintenance Manual, “Quick Coupler Operation”.

Lower Window Wiper and Window Washer (22-23)



Lower Window Wiper (22) – Push down on the top of the switch in order to turn on the lower window wiper. Push down the bottom portion of the switch in order to turn off the lower window wiper.



Lower Window Washer (23) – Push down on the top of the switch and keep the switch depressed in order to activate the lower window washer. While the switch is depressed, the washer fluid will spray from the nozzle.

NOTICE

If the wiper does not operate with the switch in the ON position, turn the switch off immediately. Check the cause. If the switch remains on, motor failure can result.

NOTICE

If the washer is used continuously for more than 20 seconds or used when no washer solution comes out, motor failure can result.

Seat Heater (24)**WARNING**

Preexisting skin conditions can be aggravated by continued use of the seat heater. If skin condition worsens, discontinue use of the seat heater.



Seat Heater – In cold weather, the seat heater can be activated in order to improve operator comfort.



ON – Push down on the top of the seat heater switch in order to activate the seat heater.



OFF – Push down on the bottom of the seat heater switch in order to deactivate the seat heater.

NOTICE

Do not leave any heavy item or object with a sharp point on the seat.

Do not cover the seat or seat back with a blanket, seat cushion or any other similar covering. The seat heater can be over heated. Be sure to remove any spills on the seat and thoroughly dry the spill.

Note: The thermostat in the seat heater deactivates when the temperature in the cab is above 10°C (50°F). The seat heater will not operate when the thermostat is deactivated.

Fine Swing Control (25) (If Equipped)**WARNING**

The Fine Swing Control delays the engagement of the swing parking brake.

If the machine is operating on a slope with the Fine Swing Control in the ON position, the swing motion may become uncontrollable which could result in property damage, personal injury or death.

Turn the Fine Swing Control to the OFF position when the machine is operating on a slope.



Fine Swing Control – Push down on the top of the switch in order to activate the fine swing control. This improves swing control during deceleration of a swing.

When the fine swing control is ON, the swing parking brake will not activate until 6.5 seconds after the joystick control for the swing function returns to the neutral position. This improves swing control during deceleration of a swing because this will allow the swing to drift instead of stopping the swing abruptly. This combination of drift and the delay of the engagement of the swing parking brake may be helpful during certain types of lifting operations.

Push down on the bottom of the switch in order to turn off the fine swing control. Operate the machine with the switch in the OFF position when great swing forces are required. For example, digging on a sidewall requires great swing force. Operate the machine with the switch in the OFF position in order to control the motion with the swing brake.

Overload Warning Device (26) (If Equipped)

The switch for the overload warning device is located on the right console.

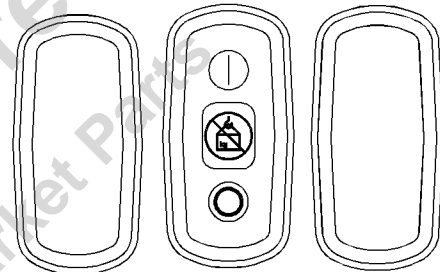


Illustration 96
Early Type

g01615354

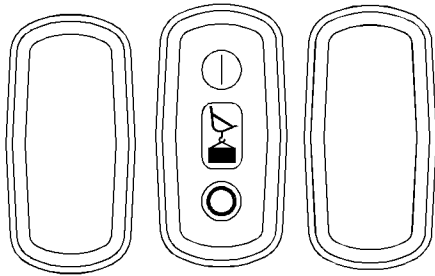


Illustration 97

g01615363

Later Type



Overload Warning Device – In lifting applications, the overload warning device

activates a buzzer when there is an unstable load condition. When this occurs, the bucket load should be reduced or the stick should be moved inward.



ON – Push the right side of the switch in order to activate the overload warning device.



OFF – Push the left side of the switch in order to deactivate the overload warning device.

Service Port

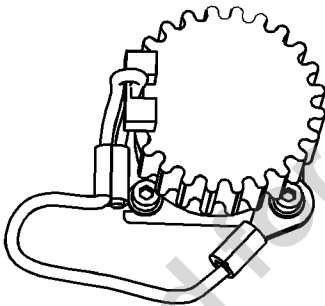


Illustration 98

g03320855

Electronic Technician service port

An Electronic Technician (ET) service port is located on the right side of the cab. This service port allows service personnel to connect a laptop computer that is equipped with Electronic Technician. Service personnel can use electronic technician in order to diagnose machine and engine systems.

Contact your Cat dealer for additional information.

i05039774

Battery Disconnect Switch

SMCS Code: 1411-B11

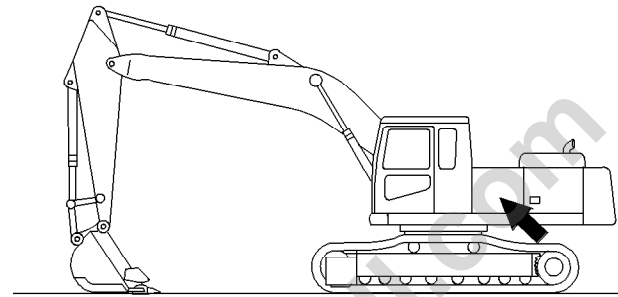


Illustration 99

g00100862

The battery disconnect switch is on the left side of the machine behind the front access door.

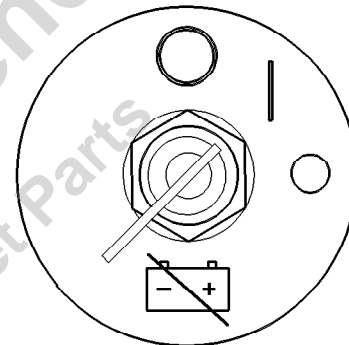


Illustration 100

g00406959



ON – To activate the electrical system, insert the disconnect switch key and turn the battery disconnect switch clockwise. The battery disconnect switch must be turned to the ON position before you start the engine.



OFF – To deactivate the electrical system, turn the battery disconnect switch counterclockwise to the OFF position.

The battery disconnect switch operates differently than the engine start switch. When the battery disconnect switch is in the OFF position, the electrical system is disabled. When the engine start switch is turned to the OFF position and the battery disconnect switch is turned to the ON position, the battery remains connected to the entire electrical system.

Turn the battery disconnect switch to the OFF position and remove the disconnect switch key when you service the electrical system or other components on the machine.

Turn the battery disconnect switch to the OFF position and remove the disconnect switch key if you do not operate the machine for an extended period of a month or more. This will prevent drainage of the battery.

NOTICE

Never move the battery disconnect switch to the OFF position while the engine is operating. Serious damage to the electrical system could result.

To ensure that no damage to the engine occurs, verify that the engine is fully operational before cranking the engine. Do not crank an engine that is not fully operational.

Perform the following procedure in order to check the battery disconnect switch for proper operation:

1. With the battery disconnect switch in the ON position, verify that electrical components in the operator compartment are functioning. Verify that the hour meter is displaying information. Verify that the engine will crank.
2. Turn the battery disconnect switch to the OFF position.
3. Verify that the following items are not functioning: electrical components in the operator compartment, hour meter and engine cranking. If any of the items continue to function with the battery disconnect switch in the OFF position, consult your Cat dealer.

i07233032

Product Link

SMCS Code: 7490; 7606

Note: Your machine may be equipped with the Cat® Product Link™ system.

The Cat Product Link communication device utilizes cellular and/or satellite technology to communicate equipment information. This information is communicated to Caterpillar, Cat dealers, and Caterpillar customers. The Cat Product Link communication device uses Global Positioning System (GPS) satellite receivers.

The capability of two-way communication between the equipment and a remote user is available with the Cat Product Link communication device. The remote user can be a dealer or a customer.

Data Broadcasts

Data concerning this machine, the condition of the machine, and the operation of the machine is being transmitted by Cat Product Link to Caterpillar and/or Cat dealers. The data is used to serve the customer better and to improve upon Cat products and services. The information transmitted may include: machine serial number, machine location, and operational data, including but not limited to: fault codes, emissions data, fuel usage, service meter hours, software, and hardware version numbers and installed attachments.

Caterpillar and/or Cat dealers may use this information for various purposes. Refer to the following list for possible uses:

- Providing services to the customer and/or the machine
- Checking or maintaining Cat Product Link equipment
- Monitoring the health of the machine or performance
- Helping maintain the machine and/or improve the efficiency of the machine
- Evaluating or improving Cat products and services
- Complying with legal requirements and valid court orders
- Performing market research
- Offering the customer new products and services

Caterpillar may share some or all the collected information with Caterpillar affiliated companies, dealers, and authorized representatives. Caterpillar will not sell or rent collected information to any other third party and will exercise reasonable efforts to keep the information secure. Caterpillar recognizes and respects customer privacy. For more information, please contact your local Cat dealer.

Operation in a Blast Site for Product Link Radios

WARNING

This equipment is equipped with a Cat® Product Link communication device. When electric detonators are being used for blasting operations, radio frequency devices can cause interference with electric detonators for blasting operations which can result in serious injury or death. The Product Link communication device should be deactivated within the distance mandated under all applicable national or local regulatory requirements. In the absence of any regulatory requirements Caterpillar recommends the end user perform their own risk assessment to determine safe operating distance.

Refer to your products Operation and Maintenance Manual Supplement, "Regulatory Compliance Information" for more information.

For information regarding the methods to disable the Cat Product Link communication device, please refer to your specific Cat Product Link manual listed below:

- Operation and Maintenance Manual, SEBU8142, "Product Link - 121SR/321SR/420/421/522/523"
- Operation and Maintenance Manual, SEBU8832, "Product Link PLE601, PL641, PL631, PL542, PL240, PL241, PL141, PL131, PL161, and G0100 Systems"

Note: If no radio disable switch is installed and the equipment will be operating near a blast zone, a Product Link radio disable switch may be installed on the equipment. The switch will allow the Cat Product Link communication device to be shut off by the operator from the equipment control panel. For more details and installation procedures, refer to the following:

- Special Instruction, "Installation Procedure for Product Link PLE640 Systems" REHS7339
- Special Instruction, "Installation Procedure for the Elite Product Link PLE601, PLE641, and PLE631 Systems" REHS8850
- Special Instruction, "Installation Procedure for the Product Link PL131, PL141, and PL161 Systems" SEHS0377

- Special Instruction, "Installation Procedure for the Pro Product Link PL641 and PL631 Systems" REHS9111

i02793352

Power Receptacle (If Equipped)

SMCS Code: 1436; 7451

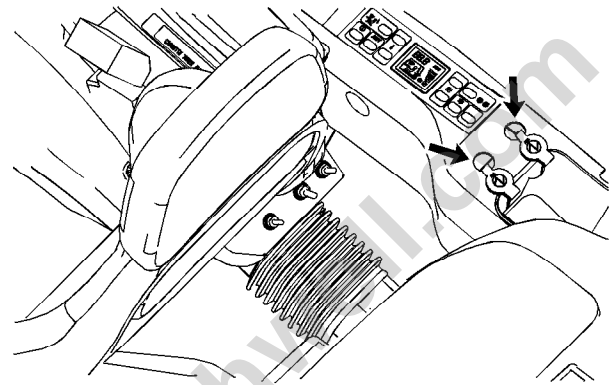


Illustration 101

g01073919

Power Receptacle – A twelve volt power receptacle is located on the right side console. This power receptacle can be used for powering automotive electrical equipment or accessories. Remove the cap before use. This machine can be equipped with one power receptacle or with two power receptacles.

i07037877

Machine Security System (If Equipped)

SMCS Code: 7631

Operation Section

NOTICE

This machine is equipped with a Caterpillar Machine Security System (MSS) and may not start under certain conditions. Read the following information and know your machine's settings. Your Caterpillar dealer can identify your machine settings.



Machine Security System (MSS) – Machines that are equipped with a Caterpillar Machine Security System (MSS) can be identified by a decal in the operator station. The MSS is a theft deterrent and will prevent the unauthorized operation of the machine.

Basic Operation

MSS may be programmed to use a standard Caterpillar key or an electronic key. The electronic key contains an electronic chip within the plastic housing for the key. Each key emits a unique signal to the MSS. The keys can be identified by a gray housing or a yellow housing. MSS may have programmed settings that require an electronic key for starting during certain periods of time. The MSS may also have programmed settings that allow a standard Caterpillar key to start the machine during certain periods of time.

Note: Ensure that you have only one electronic key near the engine start switch when you are attempting to start the machine. If there is more than one electronic key near the engine start switch the MSS may not be able to read the key in the engine start switch and the machine will not start.

When the engine start switch is turned to the ON position, the ECM will read the unique ID that is stored in the electronic key. The ECM will then compare this ID to the list of authorized keys. The status of the key will be displayed on the monitor. If the key is not authorized for the machine, "UNAUTHORIZED KEY" will be displayed on the monitor.

Note: MSS will not shut down the machine after the machine has started.

Security Management

MSS allows you to program the system to automatically activate at different time periods with different keys. The MSS can also be programmed to reject a specific electronic key after a selected date and time. When you turn the key to the OFF position and the MSS is active, you have a 30 second interval to restart the machine. Also if the machine stalls, there is a 30 second interval for restarting the machine. This 30 second interval is counted from the time of turning the key to the OFF position.

Note: Know your machine's settings because the use of an electronic key is no guarantee that the machine can be restarted.

An expiration date can be set for each electronic key that is contained in the list of keys for the machine. The key will no longer start the machine when the internal clock in the security system passes the expiration date. Each entry in the list of keys can have a different expiration date.

Spare keys are available from your dealer. Before a key can operate the machine, the MSS must be set to accept that particular key. Contact your Caterpillar dealer for information on additional features of the MSS.

Regulatory Compliance Section

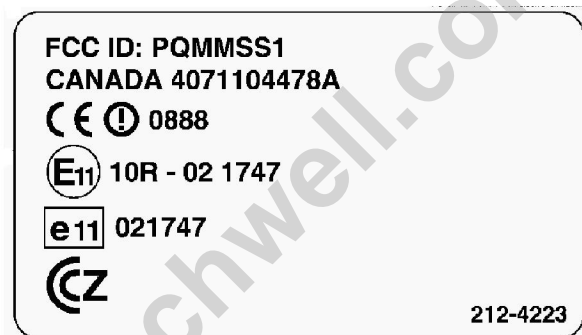



Illustration 102

g00832427

Consult your Caterpillar Dealer with any questions that concern the operation of the MSS in a specific country.



**EC DECLARATION OF CONFORMITY IN RESPECT OF TYPE-APPROVED,
TYPE-EXAMINED OR SELF-CERTIFICATION CONSTRUCTION PLANT
AND EQUIPMENT**

I, the undersigned, Mark Pfeleider, hereby certify that the construction equipment component specified hereunder

1. Category	C. COMPONENT
2. Make	CATERPILLAR INC.
3. Type	MACHINE SECURITY SYSTEM (MSS)
4. Type-serial number of equipment	B GZ
5. Year of manufacture	Beginning 2001

has been manufactured in conformity with

-- EC type-examination (1)

-- EC self-certification (2)

as shown in the table below

In the case of EC type-examination/self-examination:

Directives	No.	Date	Approved Body
99/5/EC	MSS TCF 7-13-01.DOC	2001-05-21	(1) MIRA
73/23/EEC	MSS TCF 7-13-01.DOC	2001-07-13	(2)
89/336/EEC	MSS TCF 7-13-01.DOC	2001-05-29	(1) MIRA
00/02/EC	MSS TCF 7-13-01.DOC	2001-05-29	(1) MIRA

6. Special Provisions...

Done at
Caterpillar Inc.
100 N.E. Adams St.
Peoria, IL 61629-AC6430

Date
2001-10-03

Signature
Mark Pfeleider

Mark Pfeleider
Administrative

Illustration 103

g00822256

i06584083

Camera

SMCS Code: 7347; 7348

Rear View Camera (If Equipped)

The rear view camera system consists of a camera that is located in the middle of the top of the counterweight and a "VIDEO MODE SETTING" menu on the monitor.

Note: The rear view camera system has been set up by the factory or by a Cat dealer to provide views which comply with specified guidelines. Consult your Cat dealer before any adjustments are made to the system.

For more information refer to Operation and Maintenance Manual, "Monitoring System".

i01438682

Overload Warning Device

SMCS Code: 5258

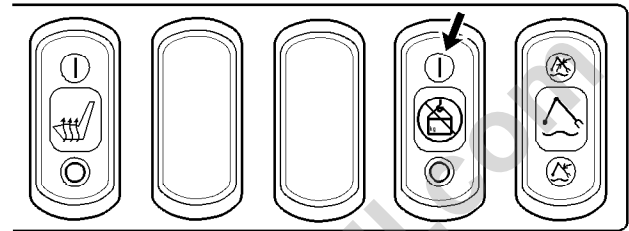


Illustration 104

g00753668

The rocker switch that cancels the alarm for the overload warning device is located on the right side instrument panel.

In lifting applications, the overload warning device activates a buzzer when there is an unstable load condition. When this occurs, the bucket load should be reduced or the stick should be moved inward.



Overload Warning Device (Alarm Cancel Switch) – Press the top of the rocker switch in order to stop the buzzer from the overload warning device from sounding.

i06733387

Monitoring System

SMCS Code: 7451; 7490

NOTICE

When the monitor provides a warning, immediately check the monitor and perform the required action or maintenance as indicated by the monitor.

The monitor indicator does not guarantee that the machine is in a good condition. Do not use the monitor panel as the only method of inspection. Maintenance and inspection of the machine must be performed on a regular basis. See the Maintenance Section of this Operation and Maintenance Manual.

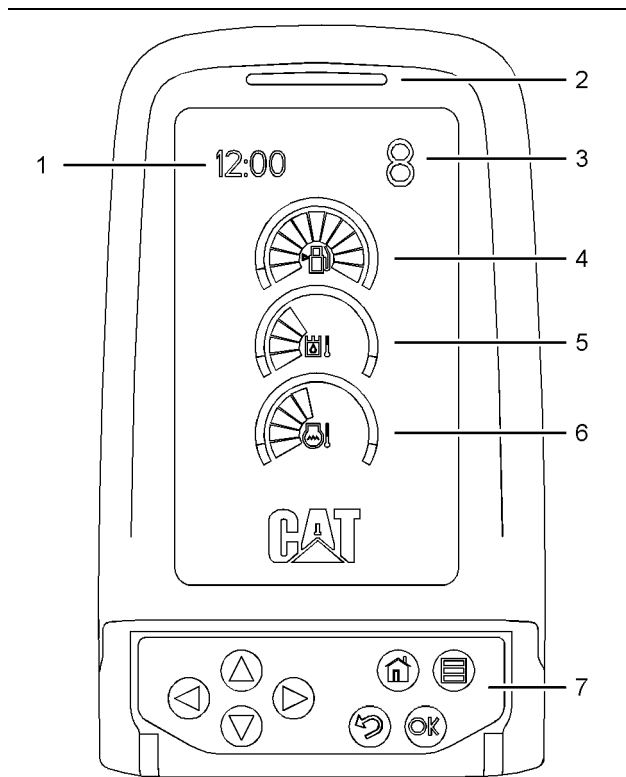


Illustration 105

g01105763

- (1) Clock
- (2) Alert indicator
- (3) Engine speed dial indicator
- (4) Fuel level
- (5) Hydraulic oil temperature
- (6) Engine coolant temperature
- (7) Keypad

Engine Speed Dial Indicator – This digital display indicates the current position of the engine speed dial. For more information on the engine speed dial, refer to Operation and Maintenance Manual, “Operator Controls”.



Fuel Level – This gauge indicates the amount of fuel that is remaining in the fuel tank. When the fuel gauge indicates that the fuel level is in the red range, add fuel immediately.



Hydraulic Oil Temperature – This gauge indicates the temperature of the hydraulic oil. The normal operating range is the green range. If the gauge reaches the red range, reduce the load on the system. If the gauge stays in the red range, stop the machine and investigate the cause of the problem.



Engine Coolant Temperature – This gauge indicates the temperature of the engine coolant. The normal operating range is the green range. If the gauge reaches the red range, stop the machine and investigate the cause of the problem.

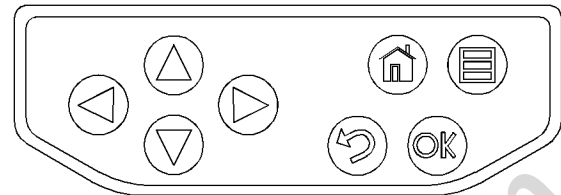


Illustration 106

g01105768

Keypad

The keypad has eight keys that are used to input information into the electronic monitoring system.



Up Key – Press the up key to move the cursor upward. Also press the up key to increase values.



Down Key – Press the down key to move the cursor downward. Also press the down key to decrease values.



Left Key – Press the left key to move the cursor to the left. Also press the left key to decrease values.



Right Key – Press the right key to move the cursor to the right. Also press the right key to increase values.



Home Key – Press the home key to return to the default display at any time.



Menu Key – Press the menu key to access the main menu. For more information, refer to “Main Menu”.



OK Key – Press the OK key to select a menu option. Also press the OK key to set values.



Back Key – Press the back key to reject a menu option or a setting value. Also, press the back key to return to the previous display.

Prestart Monitoring Function

Turn the engine start switch to the ON position.

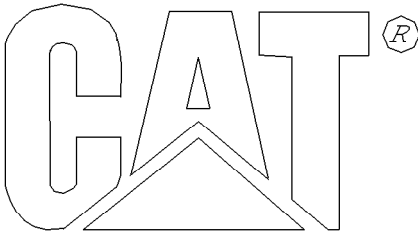


Illustration 107

g00928810

After approximately one second, Illustration 107 appears in the display and the alert indicator turns on.

The coolant temperature, the hydraulic oil temperature, the fuel level, and the position of the engine speed dial are now indicated.

The monitoring system checks the level of the engine coolant, the engine oil, and the hydraulic oil before the engine starts.

If the fluid level check detects a low fluid level, the appropriate message will be displayed and a pictograph will be shown to indicate the fluid level that is low.

Note: If more than one fluid level is low, the symbols for the right key and the left key are indicated in the bottom right area of warning message. Press the right key or the left key to check the other warning message. The low fluid level indicators will disappear within 5 seconds after the engine is started.

Note: The machine cannot perform an accurate fluid level check when the machine is on a slope. Perform the fluid level check on level ground.

If the engine is started during the fluid level check, the monitor will cancel these checks.

The service hours for the filters are checked first. Then, the service hours for the fluids are checked. If a filter or a fluid is over the recommended change interval, "CHECK FLTR/FLUID INFO" appears on the display. Refer to "Main Menu" for more information. This message will disappear after 5 seconds.

Machine Warnings

The monitoring system provides three warning categories.

- The first warning category requires only operator awareness. This type of warning will be indicated by a message on the display screen.

- The second warning category requires a change to the machine operation or a change to the maintenance of the machine. This type of warning will be indicated by a message on the display screen and by a blinking of the Alert Indicator.
- The third warning category requires immediate shutdown of the engine. This type of warning will be indicated by a message on the display screen, by a blinking of the Alert Indicator, and by a buzzer.

If multiple warnings are present in the system, the most important problem is shown first. Press the right key or press the left key to view all of the warnings that are present in the machine. If no keys are pressed within 5 seconds, the display will return to the most important problem.

Note: The menu is still functional by pressing the menu key.

Warning Category 1

In this category, only a warning will be shown in the display screen. This category alerts the operator that the machine system needs attention. Failure of these systems will not endanger the operator. Failure of these systems will not cause serious damage to the machine components.



"UNAUTHORIZED KEY" – This machine is equipped with a Machine Security System. The key that is currently in the ignition switch is not an authorized key. Remove the key and insert an authorized key.



"BATTERY VOLTAGE IRREGULAR" – The electrical charging system is malfunctioning. Check the electrical components of the charging circuit immediately. Perform any necessary repairs.



"HYD RETURN FLTR PLUGGED" – The hydraulic return filter is restricted. This will cause hydraulic components to malfunction. Turn the engine start switch to the OFF position and then turn the engine start switch to the ON position. If the warning disappears, the filter is good. Operate the machine on flat ground for at least 10 minutes. If the warning reappears, replace the return filter cartridge. Refer to Operation and Maintenance Manual, "Hydraulic System Oil Filter (Return) - Replace".

Note: The warning for the restricted hydraulic return filter will disappear from the display after 3 minutes.



“ATT FLTR PLUGGED” – The hydraulic filter is restricted. This will cause hydraulic components to malfunction.

Turn the engine start switch to the OFF position and then turn the engine start switch to the ON position. If the warning disappears, the filter is good. Operate the machine on flat ground for at least 10 minutes. If the warning reappears, replace the filter.



“INTAKE AIR FLTR PLUGGED” – The air filter is restricted. Engine output will be decreased. Immediately inspect the air filter.

Clean the air filter. Inspect the condition of the air filter. Replace the air filter, if necessary. Perform any necessary repairs. Refer to Operation and Maintenance Manual, “Engine Air Filter Primary Element - Clean/Replace”.



“FUEL FLTR PLUGGED” – The fuel filter is restricted. Engine output will be decreased. Immediately inspect the fuel filter.

Replace the fuel filter, if necessary. Perform any necessary repairs. Refer to Operation and Maintenance Manual, “Fuel System Primary Filter (Water Separator) Element - Replace”.



“WATER SEPARATOR FULL” – The water separator is full. Drain the water from the water separator as soon as possible.

Refer to Operation and Maintenance Manual, “Fuel System Water Separator - Drain”.



“FUEL LEVEL LOW” – The fuel in the tank is low on fuel. Refill the fuel tank.



“LUBE LEVEL LOW” – The reservoir for the automatic lubrication system is low on grease. Refill the reservoir.



“AUTOLUBE ERROR” – The automatic lubrication system is malfunctioning. Stop using the system and check the system for the cause of the malfunction.

Warning Category 2



“INLET AIR TEMP HIGH” – The inlet air temperature is too high. Stop the machine and investigate the cause of the fault.



“COOLANT TEMP HIGH” – The coolant temperature is too high. Stop operating the machine and run the engine at low idle until the coolant temperature decreases to the correct level.

If the warning stays on during low idle, stop the engine. Check the coolant level and check the radiator for debris. Refer to Operation and Maintenance Manual, “Cooling System Coolant Level - Check”. Check the fan drive belts for the water pump. Refer to Operation and Maintenance Manual, “Belts - Inspect/Adjust/Replace”. Make any necessary repairs.



“ENGINE SHUTDOWN ACTIVATING” – An error has occurred with the engine and the engine is shutting down.

Contact your Caterpillar Dealer.



“ENG OVERSPEED WARNING” – The engine speed is too fast. Change the operating technique. If the situation continues, contact your Caterpillar Dealer.



“HYD OIL TEMP HIGH” – The hydraulic oil temperature is too high. Stop operating the machine and run the engine at low idle until the hydraulic oil temperature decreases to the correct level.

If the warning stays on during low idle, stop the engine. Check the hydraulic oil level and check the hydraulic oil cooler for debris. Perform any necessary repairs as soon as possible.



“HYD OIL TEMP HIGH (TOOL)” – The hydraulic oil temperature is too high.

Stop operating the machine and run the engine at low idle until the hydraulic oil temperature decreases to the correct level. If the warning stays on during low idle, stop the engine. Check the hydraulic oil level and check the hydraulic oil cooler for debris. Perform any necessary repairs as soon as possible.



“FUEL PRESS HIGH” – The fuel pressure is too high. Contact your Caterpillar Dealer.



“ECM ERROR” – The ECM has malfunctioned. Contact your Caterpillar Dealer.



“ENGINE ECM ERROR” – The engine ECM has malfunctioned. Contact your Caterpillar Dealer.



“MONITOR ERROR” – The monitor has malfunctioned. Contact your Caterpillar Dealer.



“SERVICE REQUIRED” – The machine has detected a malfunction. Contact your Caterpillar Dealer.



“TOOL CONTROL MALFUNCTION” – The work tool has malfunctioned. Stop the machine and inspect the work tool.

Warning Category 3



“LIFT OVERLOAD WARNING” – The load on the machine is too heavy. The machine is in danger of tipping. Reduce the load immediately. Refer to Operation and Maintenance Manual, “Lifting Capacities” for more information.



“ENG OIL PRESS LOW” – The engine oil pressure is too low. Stop the machine immediately. Stop the engine and investigate the cause of the problem. Do not operate the machine until the cause of the problem has been corrected.

Other Messages

Prestart



CHECK SERVICE PARTS INFORMATION – One of the machines filters has exceeded the recommended change interval. Replace the filter and reset the hours for the filter.



“COOLANT LEVEL LOW” – The coolant level is too low. Stop the machine immediately. Stop the engine and investigate the cause of the fault.



“ENG OIL LEVEL LOW” – The engine oil level is too low. Stop the machine immediately. Stop the engine and investigate the cause of the fault.



“HYD OIL LEVEL LOW” – The hydraulic oil level is too low. Stop the machine immediately. Stop the engine and investigate the cause of the fault.



“CHECK FILTER FLUID INFO” – One of the machine's filters has exceeded the recommended change interval. Replace the filter and reset the hours for the filter.

Miscellaneous



“LUBE STARTING” – The automatic lubrication system is lubricating the machine's bearings.



“LEVER IS NOT NEUTRAL” – The lever is not in the NEUTRAL position. Move the lever to the NEUTRAL position.



“COUNTERWEIGHT REMOVAL” – The counterweight has been removed. Do not operate the machine until the counterweight has been reinstalled.



“NOT CONFIGURED” – This is a general warning that indicates that a machine component needs to be configured.



“NOT CALIBRATED” – This is a general warning that indicates that a machine component needs to be calibrated.



“CYCLE THE LOCK LEVER” – An error has occurred with the lock lever. Cycle the lock lever.



AIR INLET HEATER (If Equipped) – If the engine coolant temperature is too low, the air inlet heater will be activated. This indicator will appear in the message display when the engine start switch is in the ON position. The engine can be started after the indicator disappears from the message display.

Adjusting the Monitor

Follow this procedure to adjust the position of the monitor.

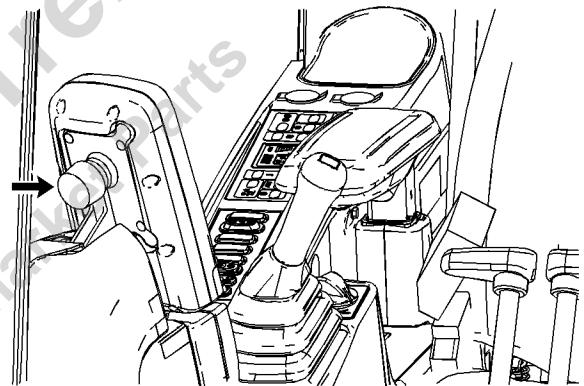


Illustration 108

g01105770

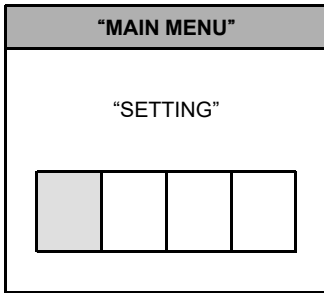
1. Loosen the knob that is on the back of the monitor.
2. Adjust the monitor to the desired position.
3. Tighten the knob.

Main Menu

The “MAIN MENU” allows the operator to view information concerning the machine. This menu also allows the operator to change information concerning the machine.

1. Push the menu key when the default display is active.

Table 88



2. The "MAIN MENU" will be displayed with four new menu options: setting, maintenance information, performance, and service. For more information on these menus, refer to the respective descriptions below.
3. Press the right key or the left key to highlight the desired menu. Press the OK key to open the desired menu.

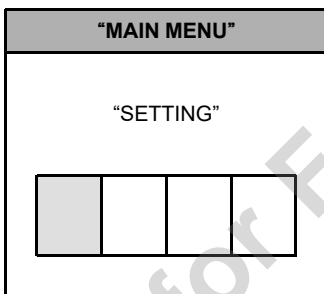
Note: Press the back key or the home key to exit this menu and return to the default display.

Setting

The "SETTING" menu allows the operator to change the various machine settings.

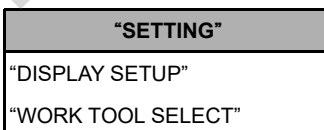
1. Press the menu key.

Table 89



2. Press the right key or the left key to highlight the "SETTING" menu. Press the OK key.

Table 90



(continued)

(Table 90, contd)



3. The "SETTING" menu will be displayed with two new menu options. For more information on these menus, refer to the respective descriptions below.
4. Press the up key or the down key to highlight the desired menu. Press the OK key to open the desired menu.

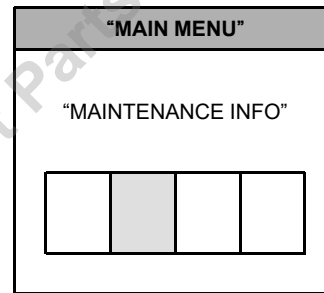
Note: Press the home key to return to the default display.

Maintenance Information

The "MAINTENANCE INFO" menu allows the operator to view the current hours of use and the recommended change intervals for various system components.

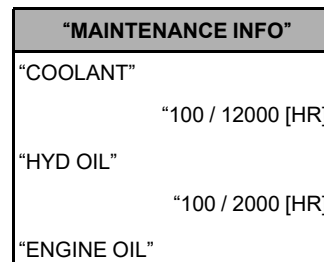
1. Press the menu key.

Table 91



2. Press the right key or the left key to highlight the "MAINTENANCE INFO" menu. Press the OK key.

Table 92



(continued)

(Table 92, contd)

"100 / 500 [HR]"

- A list of system components will be displayed. Press the up key or the down key to scroll through the list. For each of the system components, the current hours of use will be displayed. If the component has a recommended change interval, the recommended interval will be displayed to the right of the current hours of use.

Note: Press the home key to return to the default display.

Performance

The "PERFORMANCE" menu allows the operator to view measurements of various system components. The following components are a few examples of the components that can be viewed through the "PERFORMANCE" menu: battery voltage, engine speed, and pump pressure.

- Press the menu key.

Table 93

"MAIN MENU"	
"PERFORMANCE"	

- Press the right key or the left key to highlight the "PERFORMANCE" menu. Press the OK key.

Table 94

"PERFORMANCE"	
"BATTERY VOLTAGE"	"26.0 [V]"
"ENGINE SPEED"	"1300 [RPM]"
"COOLANT TEMP"	"20 [°C]"

- The "PERFORMANCE" menu will be displayed with a list of system components and measurements. Press the up key or the down key to scroll through the list.

Note: Press the home key to return to the default display.

Service

The "SERVICE" menu allows the operator to change the password and the accumulated hours for the machine's filters and fluids.

- Press the menu key.

Table 95

"MAIN MENU"	
"SERVICE"	

- Press the right key or the left key to highlight the "SERVICE" menu. Press the OK key.

Note: You will be prompted to enter a password. Refer to "Password Entry" for information on entering a password.

Table 96

"SERVICE"	
"MAINTENANCE"	
"PASSWORD CHANGE"	

- After the password has been entered successfully, the "SERVICE" menu will be displayed with two new menu options. For more information on these menus, refer to the respective descriptions below.

Note: Press the home key to return to the default display.

Password Entry

When you try to access certain menus, you will be prompted to enter a password. Follow this procedure to enter the password.

Table 97



1. Press the right key or the left key to select the desired character.

Note: The password is alphanumeric. You may choose from "0" to "9". You may also choose from "A" to "F".

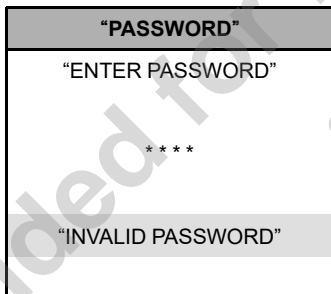
Note: When the machine leaves the factory, the password is initially set as 0001.

2. Press the OK key to enter the character.

Note: Press the back key to delete the last character that was entered.

3. After you enter four characters, the monitoring system checks the password. If the password is correct, you will have access to the menu.

Table 98



4. If the password is incorrect, "INVALID PASSWORD" will be displayed. Press the OK key to retry the password or press the back key to return to the previous menu.

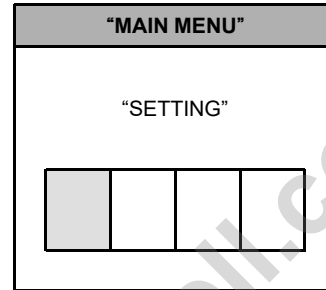
Note: Consult your Caterpillar dealer if you forget your password.

Display Setup

The "DISPLAY SETUP" menu allows the operator to change the various display settings of the monitor.

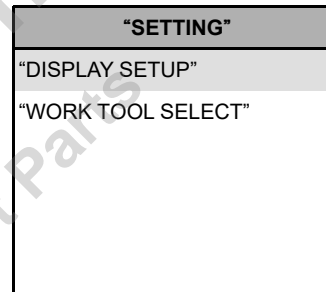
1. Press the menu key.

Table 99



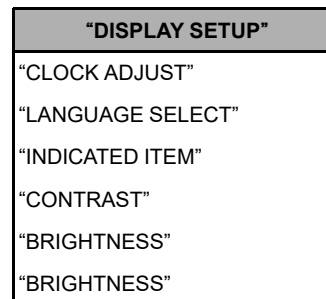
2. Press the right key or the left key to highlight the "SETTING" menu. Press the OK key.

Table 100



3. Press the up key or the down key to highlight the "DISPLAY SETUP" menu. Press the OK key.

Table 101



4. The "DISPLAY SETUP" menu will be displayed with various options for the monitor. For more information on these menus, refer to the respective descriptions below.
5. Press the up key or the down key to highlight the desired menu. Press the OK key to open the desired menu.

Note: Press the home key to return to the default display.

Selecting the Work Tool

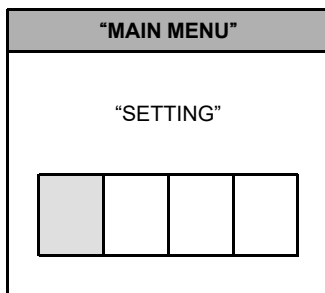
The "WORK TOOL SELECT" menu allows the operator to change the settings for the work tool.

Note: Make sure that the hydraulic lockout control is in the LOCKED position before you change the settings for the work tool.

Note: If a bucket is installed on the machine, or no work tool is installed, select "Bucket/No Tool" in the menu.

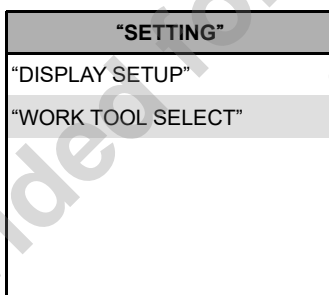
1. Press the menu key.

Table 102



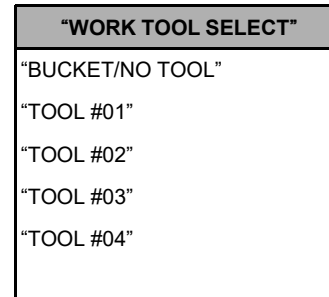
2. Press the right key or the left key to highlight the "SETTING" menu. Press the OK key.

Table 103



3. Press the up key or the down key to highlight the "WORK TOOL SELECT" menu. Press the OK key.

Table 104



Note: If the work tools have been configured through the Electronic Technician (ET), the names of the work tools will be displayed instead of the numbers.

4. The "WORK TOOL SELECT" menu will be displayed with the current options for work tools. Press the up key or the down key to highlight the desired work tool. Press the OK key to select the new work tool.

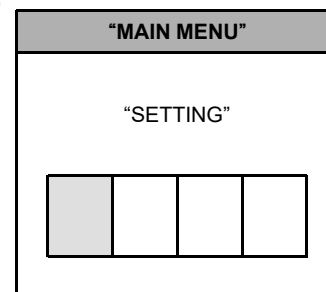
Note: Press the home key to return to the default display.

Adjusting the Clock

The "CLOCK ADJUST" menu allows the operator to change the time on the clock.

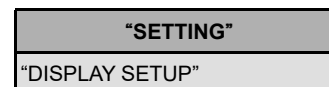
1. Press the menu key.

Table 105



2. Press the right key or press the left key to highlight the "SETTING" menu. Press the OK key.

Table 106



(continued)

(Table 106, contd)

"WORK TOOL SELECT"

3. Press the up key or press the down key to highlight the "DISPLAY SETUP" menu. Press the OK key.

Table 107

"DISPLAY SETUP"
"CLOCK ADJUST"
"LANGUAGE SELECT"
"INDICATED ITEM"
"CONTRAST"
"BRIGHTNESS"
"BRIGHTNESS"

4. Press the up key or press the down key to highlight the "CLOCK ADJUST" menu. Press the OK key.

Table 108

"CLOCK ADJUST"
"12 : 00"

5. The "CLOCK ADJUST" menu will be displayed with the current time. Press the left key or the right key to select the hour or the minute. Press the up key to increase the value. Press the down key to decrease the value.

6. When the clock is set to the desired time, press the OK key to save the new time in memory.

Note: Press the back key to return to the previous display without saving.

Note: Press the home key to return to the default display.

Language Selection

The "LANGUAGE SELECT" menu allows the operator to change the language settings.

1. Press the menu key.

Table 109

"MAIN MENU"				
"SETTING"				
<table border="1" style="width: 100%;"> <tr> <td style="width: 25%;"></td> <td style="width: 25%;"></td> <td style="width: 25%;"></td> <td style="width: 25%;"></td> </tr> </table>				

2. Press the right key or the left key to highlight the "SETTING" menu. Press the OK key.

Table 110

"SETTING"
"DISPLAY SETUP"
"WORK TOOL SELECT"

3. Press the up key or the down key to highlight the "DISPLAY SETUP" menu. Press the OK key.

Table 111

"DISPLAY SETUP"
"CLOCK ADJUST"
"LANGUAGE SELECT"
"INDICATED ITEM"
"CONTRAST"
"BRIGHTNESS"
"BRIGHTNESS"

4. Press the up key or the down key to highlight the "LANGUAGE SELECT" menu. Press the OK key.

Table 112

"LANGUAGE SELECT"
"ENGLISH"
"DANISH"
"FINNISH"
"ICELANDIC"
"NORWEGIAN"
"SWEDISH"

5. The "LANGUAGE SELECT" menu will be displayed with a list of available languages. Press the up key or the down key to scroll through the available languages. Press the set key to select the desired language.

Note: Press the home key to return to the default display.

Indicated Item

The "INDICATED ITEM" menu allows the operator to display the name of the current work tool and/or the service hours for the machine on the default display. This procedure is also used to remove these items from the default display.

1. Press the menu key.

Table 113

"MAIN MENU"				
"SETTING"				
<table border="1" style="width: 100%; height: 20px;"> <tr> <td style="width: 25%;"></td> <td style="width: 25%;"></td> <td style="width: 25%;"></td> <td style="width: 25%;"></td> </tr> </table>				

2. Press the right key or the left key to highlight the "SETTING" menu. Press the OK key.

Table 114

"SETTING"
"DISPLAY SETUP"
"WORK TOOL SELECT"

(Table 114, contd)

--	--

3. Press the up key or the down key to highlight the "DISPLAY SETUP" menu. Press the OK key.

Table 115

"DISPLAY SETUP"
"CLOCK ADJUST"
"LANGUAGE SELECT"
"INDICATED ITEM"
"CONTRAST"
"BRIGHTNESS"
"BRIGHTNESS"

4. Press the up key or the down key to highlight the "INDICATED ITEM" menu. Press the OK key.

Note: You will be prompted to enter a password. Refer to "Password Entry" for information on entering a password.

Table 116

"INDICATED ITEM"
"TOOL NAME"
"SERVICE HR METER"

5. The "INDICATED ITEM" menu will be displayed with two items. Press the up key or the down key to highlight the desired item. Press the OK key to enable the item. Also, press the OK key to disable the item. By choosing to enable the item, that item will be shown on the default display. By choosing to disable the item, that item will be removed from the default display.

(continued)

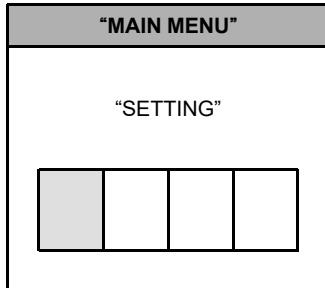
Note: Press the home key to return to the default display.

Adjusting the Contrast

The "CONTRAST" menu allows the operator to change the contrast of the monitor.

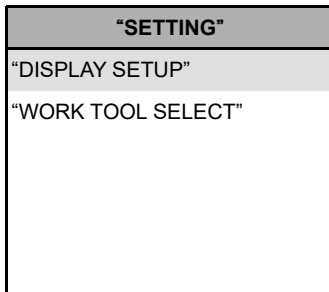
1. Press the menu key.

Table 117



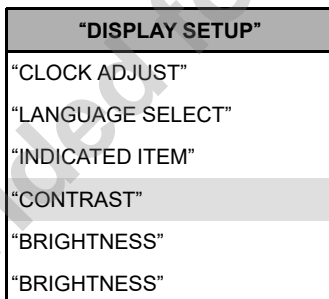
2. Press the right key or the left key to highlight the "SETTING" menu. Press the OK key.

Table 118



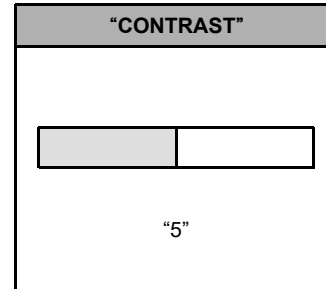
3. Press the up key or the down key to highlight the "DISPLAY SETUP" menu. Press the OK key.

Table 119



4. Press the up key or the down key to highlight the "CONTRAST" menu. Press the OK key.

Table 120



5. The contrast can be set between 1 and 10. Press the right key to increase the contrast. Press the left key to decrease the contrast.

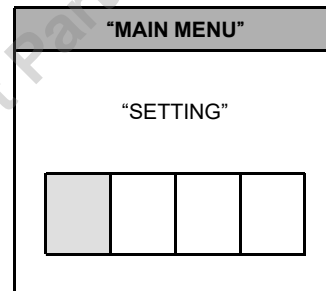
Note: Press the home key to return to the default display.

Adjusting the Brightness

The "BRIGHTNESS" menu allows the operator to change the brightness of the monitor.

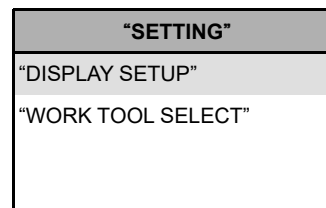
1. Press the menu key.

Table 121



2. Press the right key or the left key to highlight the "SETTING" menu. Press the OK key.

Table 122



(Table 122, contd)



3. Press the up key or the down key to highlight the "DISPLAY SETUP" menu. Press the OK key.

Table 123

"DISPLAY SETUP"
"CLOCK ADJUST"
"LANGUAGE SELECT"
"INDICATED ITEM"
"CONTRAST"
"BRIGHTNESS"
"BRIGHTNESS"

4. Press the up key or the down key to highlight the desired "BRIGHTNESS" menu. Press the OK key.

Note: There are two "BRIGHTNESS" menus. The first menu is used for machine operation during the day. The second menu is used for machine operation at night.

Table 124

"BRIGHTNESS"		
<table border="1"> <tr> <td style="width: 50%;"></td> <td style="width: 50%;"></td> </tr> </table>		
"5"		

5. The brightness can be set between 1 and 10. Press the right key to increase the brightness. Press the left key to decrease the brightness.

Note: Press the home key to return to the default display.

Maintenance

The "MAINTENANCE" menu allows the operator to change the accumulated hours for the machine's filters and fluids.

1. Press the menu key.

Table 125

"MAIN MENU"				
"SERVICE"				
<table border="1"> <tr> <td style="width: 25%;"></td> <td style="width: 25%;"></td> <td style="width: 25%;"></td> <td style="width: 25%;"></td> </tr> </table>				

2. Press the right key or the left key to highlight the "SERVICE" menu. Press the OK key.

Note: You will be prompted to enter a password. Refer to "Password Entry" for information on entering a password.

Table 126

SERVICE
"MAINTENANCE"
"PASSWORD CHANGE"

3. After the password has been entered successfully, press the up key or the down key to highlight the "MAINTENANCE" menu. Press the OK key.

Table 127

"MAINTENANCE"
"FLTR/FLUID INFO"

4. The "MAINTENANCE" menu will be displayed with two new menu options. For more information on these menus, refer to the respective descriptions below.

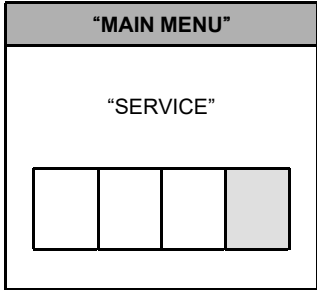
Note: Press the home key to return to the default display.

Changing the Password

The "PASSWORD CHANGE" menu allows the operator to change the password.

1. Press the menu key.

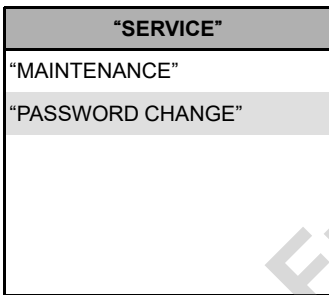
Table 128



2. Press the right key or the left key to highlight the "SERVICE" menu. Press the OK key.

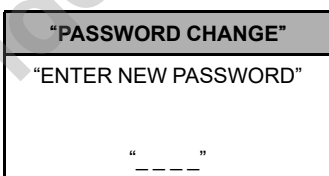
Note: You will be prompted to enter a password. Refer to "Password Entry" for information on entering a password.

Table 129



3. After the password has been entered successfully, press the up key or the down key to highlight the "PASSWORD CHANGE" menu. Press the OK key.

Table 130



(Table 130, contd)



4. Press the right key or the left key to select the desired character.

Note: The password is alphanumeric. You may choose from "0" to "9". You may also choose from "A" to "F".

Note: When the machine leaves the factory, the password is initially set as 0001.

5. Press the OK key to enter the character.

Note: Press the back key to delete the last character that was entered.

Table 131



6. After you enter 4 characters, you will be asked to confirm your selection. Press the OK key to save the password in memory and return to the "SERVICE" menu. Press the back key to return to the "SERVICE" menu without saving the password.

Note: Press the home key to return to the default display.

Filter and Fluid Information

The "FLTR/FLUID INFO" menu allows the operator to change the accumulated hours for the machine's filters and fluids.

1. Press the menu key.

Table 132



(continued)

(continued)

(Table 132, contd)

"SERVICE"				
<table border="1" style="width: 100%;"> <tr> <td style="width: 25%;"></td> <td style="width: 25%;"></td> <td style="width: 25%;"></td> <td style="width: 25%;"></td> </tr> </table>				

2. Press the right key or press the left key to highlight the "SERVICE" menu. Press the OK key.

Note: You will be prompted to enter a password. Refer to "Password Entry" for information on entering a password.

Table 133

"SERVICE"
"MAINTENANCE"
"PASSWORD CHANGE"

3. After the password has been entered successfully, press the up key or the down key to highlight the "MAINTENANCE" menu. Press the OK key.

Table 134

"MAINTENANCE"
"FLTR/FLUID INFO"

4. Press the up key or the down key to highlight the "FLTR/FLUID INFO" menu. Press the OK key.

Table 135

"FLTR/FLUID INFO"

(continued)

(Table 135, contd)

"ENGINE OIL FILTER"
"00000 / 00000 [HR]"
"HYD OIL RET FILTER"
"00000 / 00000 [HR]"
"PILOT OIL FILTER"
"00000 / 00000 [HR]"

5. A list of filters and fluids will be displayed. For each item, the current hours of use will be displayed on the left. The recommended change interval will be displayed on the right. Press the up key or the down key to highlight the desired filter or fluid. Press the OK key.

6. Press the left key to reset the accumulated hours for the selected item.

7. Press the OK key to save the new hours in memory.

Note: Press the back key to return to the previous display without saving the value.

Note: Press the home key to return to the default display.

Economy Mode Select (If Equipped)

Table 136

"SETTING"
"DISPLAY SETUP"
"WORK TOOL SELECT"
"ECONO MODE SELECT"
"POWER MODE SELECT"
"VIDEO MODE SETTING"

From the "SETTING" menu, press the up key or press the down key to highlight the "ECONOMY MODE SELECT" menu. Then press the "OK" key.

Press the up key or the down key to highlight "ECONO MODE ON" or highlight "ECONO MODE OFF". Press the "OK" key to confirm the desired selection.

When "ECONO MODE ON" is selected, the symbol for economy mode will appear at the top of the screen on the monitor.

Note: If “STD HYD POWER” is selected from the “MAIN MENU/SETTING/POWER MODE SELECT” menu, then the standard power mode symbol will appear at the top of the screen on the monitor and “ECONO MODE SELECT” will not be available.

Note: If “ECONOMY MODE FIX” is selected from the “MAIN MENU/SETTING/DISPLAY SETUP/INDICATED ITEM” menu, then “ECONO MODE SELECT” will not be available.

Note: When the “ECONOMY MODE ON” is selected, a work tool cannot be used. Once a work tool is enabled, economy mode is temporarily disabled and the “ECONOMY MODE” symbol will not appear on the monitor display. When the “BUCKET NO TOOL” option is selected again, the “ECONOMY MODE” will appear. Economy mode will automatically resume.

Note: The machine may be set to “ECONOMY MODE ON” as a default setting and “ECONOMY MODE” reset function. Once you turn off the key at “STD HYD POWER ON” mode or “HIGH HYD POWER ON” mode and then turn on the key, the mode should be reset to “ECONOMY MODE ON” . Consult your local CAT dealer if disabling these functions.

Power Mode Select(If Equipped)

Table 137

“SETTING”
“DISPLAY SETUP”
“WORK TOOL SELECT”
“ECONO MODE SELECT”
“POWER MODE SELECT”
“VIDEO MODE SETTING”

From the “SETTING” menu, press the up key or press the down key to highlight the “POWER MODE SELECT” menu. Then press the “OK” key .

Press the up key or the down key to highlight “STD HYD POWER” or highlight “HIGH HYD POWER” . Press the “OK” key to confirm the desired selection.

Note: When “STD HYD POWER” is selected, the symbol for standard power mode will appear at the top of the screen on the monitor.

Note: The machine may be set to “ECONOMY MODE ON” as a default setting and “ECONOMY MODE” reset function. Once you turn off the key at “STD HYD POWER ON” mode or “HIGH HYD POWER ON” mode and then turn on the key, the mode should be reset to “ECONOMY MODE ON” . Consult your local CAT dealer if disabling these functions.

Rear View Camera System (If Equipped)

The rear view camera system consists of a camera that is located in the middle of the top of the counterweight and a “VIDEO MODE SETTING” menu on the monitor.

Note: The rear view camera system has been set up by the factory or by a Caterpillar dealer to provide views which comply with specified guidelines. Consult your Caterpillar dealer before any adjustments are made to the system.

Video Mode Setting

The “VIDEO MODE SETTING” menu allows the operator to change the various settings for the rear view camera.

1. Push the menu key.

Table 138

“MAIN MENU”				
“SETTING”				
<table border="1"> <tr> <td></td> <td></td> <td></td> <td></td> </tr> </table>				

2. Press the right key or the left key to highlight the “SETTING” menu. Press the OK key.

Table 139

“SETTING”
“DISPLAY SETUP”
“WORK TOOL SELECT”
“VIDEO MODE SETTING”

(Table 139, contd)

--

3. Press the up key or the down key to highlight the "VIDEO MODE SETTING" menu. Press the OK key.

Table 140

"VIDEO MODE SETTING"	
"VIDEO MODE"	"ON"
"SIGNAL TYPE"	"NTSC"
"VERTICAL DIRECTION"	"NORMAL"

4. The "VIDEO MODE SETTING" menu will be displayed with a list of settings for the rear view camera. Press the up key or the down key to scroll through the list.

Note: Press the home key to return to the default display.

Note: The image from the rear view camera can be viewed from the "VIDEO MODE SETTING" menu by holding the left key. Press the up key or the down key to change the setting while the image in the rear view camera is being viewed.

The following options are available within the "VIDEO MODE SETTING" menu:

Video Mode

The "VIDEO MODE" menu allows the operator to activate the rear view camera. The rear view camera is only available when "ON" is selected.

Table 141

"VIDEO MODE SETTING"	
"VIDEO MODE"	"ON"
"SIGNAL TYPE"	"NTSC"
"VERTICAL DIRECTION"	"NORMAL"

1. Press the up key or the down key to highlight the "VIDEO MODE" menu. Press the OK key.

Table 142

"VIDEO MODE SETTING"	
"VIDEO MODE"	"ON"
"SIGNAL TYPE"	"NTSC"
"VERTICAL DIRECTION"	"NORMAL"

2. Press the up key or the down key to select "ON" or "OFF" .

3. Press the OK key.

Signal Type

The "SIGNAL TYPE" menu allows the operator to select the signal type for the rear view camera.

Table 143

"VIDEO MODE SETTING"	
"VIDEO MODE"	"ON"
"SIGNAL TYPE"	"NTSC"
"VERTICAL DIRECTION"	"NORMAL"

1. Press the up key or the down key to highlight the "SIGNAL TYPE" menu. Press the OK key.

Table 144

"VIDEO MODE SETTING"	
"VIDEO MODE"	"ON"
"SIGNAL TYPE"	"NTSC"
"VERTICAL DIRECTION"	"NORMAL"

2. Press the up key or the down key to select either "NTSC" or "PAL" as the signal type for the rear view camera.
3. Press the OK key.

Vertical Direction

The "VERTICAL DIRECTION" menu allows the operator to reverse up and down of the image that is shown by the rear view camera.

Table 145

"VIDEO MODE SETTING"	
"VIDEO MODE"	"ON"
"SIGNAL TYPE"	"NTSC"
"VERTICAL DIRECTION"	"NORMAL"

1. Press the up key or the down key to highlight the "VERTICAL DIRECTION" menu. Press the OK key.

Table 146

"VIDEO MODE SETTING"	
"VIDEO MODE"	"ON"
"SIGNAL TYPE"	"NTSC"
"VERTICAL DIRECTION"	"NORMAL"

2. Press the up key or the down key to select either "NORMAL" or "REVERSE" for the image that is shown by the rear view camera.
3. Press the OK key.

Horizontal Direct

The "HORIZONTAL DIRECT" menu allows the operator to reverse right and left of the image that is shown by the rear view camera.

Table 147

"VIDEO MODE SETTING"	
"HORIZONTAL DIRECT"	"NORMAL"
"TINT"	"7"
"COLOR"	"7"

1. Press the up key or the down key to highlight the "HORIZONTAL DIRECT" menu. Press the OK key.

Table 148

"VIDEO MODE SETTING"	
"HORIZONTAL DIRECT"	"NORMAL"
"TINT"	"7"
"COLOR"	"7"

2. Press the up key or the down key to select either "NORMAL" or "REVERSE" for the image that is shown by the rear view camera.

NORMAL – When "NORMAL" is selected in the "HORIZONTAL DIRECT" menu, the right side of the monitor display is the left side of the machine and the left side of the monitor display is the right side of the machine.

REVERSE – When "REVERSE" is selected in the "HORIZONTAL DIRECT" menu, the right side of the monitor display is the right side of the machine and the left side of the monitor display is the left side of the machine.

3. Press the OK key.

Tint

The "TINT" menu allows the operator to adjust the tint of the image that is shown by the rear view camera.

Table 149

"VIDEO MODE SETTING"	
----------------------	--

(Table 149, contd)

"HORIZONTAL DIRECT"	
	"NORMAL"
"TINT"	
	"7"
"COLOR"	
	"7"

1. Press the up key or the down key to highlight the "TINT" menu. Press the OK key.

Table 150

"VIDEO MODE SETTING"	
"HORIZONTAL DIRECT"	
	"NORMAL"
"TINT"	
	"7"
"COLOR"	
	"7"

2. Press the up key or the down key to set the tint of the image that is shown by the rear view camera between "0" and "15" .
3. Press the OK key.

Color

The "COLOR" menu allows the operator to adjust the color of the image that is shown by the rear view camera.

Table 151

"VIDEO MODE SETTING"	
"HORIZONTAL DIRECT"	
	"NORMAL"
"TINT"	
	"7"
"COLOR"	
	"7"

1. Press the up key or the down key to highlight the "COLOR" menu. Press the OK key.

Table 152

"VIDEO MODE SETTING"	
"HORIZONTAL DIRECT"	
	"NORMAL"
"TINT"	
	"7"
"COLOR"	
	"7"

2. Press the up key or the down key to set the color of the image that is shown by the rear view camera between "0" and "15" .
3. Press the OK key.

Brightness

The "BRIGHTNESS" menu allows the operator to adjust the brightness of the image that is shown by the rear view camera.

Table 153

"VIDEO MODE SETTING"	
"BRIGHTNESS"	
	"22"
"BRIGHTNESS (NIGHT)"	
	"22"
"CONTRAST"	
	"7"

1. Press the up key or the down key to highlight the "BRIGHTNESS" menu. Press the OK key.

Table 154

"VIDEO MODE SETTING"	
"BRIGHTNESS"	
	"22"
"BRIGHTNESS (NIGHT)"	
	"22"
"CONTRAST"	
	"7"

2. Press the up key or the down key to set the brightness of the image that is shown by the rear view camera between "0" and "22" .

3. Press the OK key.

"Brightness (Night)"

The "BRIGHTNESS (NIGHT)" menu allows the operator to adjust the brightness of the image that is shown by the rear view camera for viewing at night.

Table 155

"VIDEO MODE SETTING"	
"BRIGHTNESS"	"22"
"BRIGHTNESS (NIGHT)"	"22"
"CONTRAST"	"7"

1. Press the up key or the down key to highlight the "BRIGHTNESS (NIGHT)" menu. Press the OK key.

Table 156

"VIDEO MODE SETTING"	
"BRIGHTNESS"	"22"
"BRIGHTNESS (NIGHT)"	"22"
"CONTRAST"	"7"

2. Press the up key or the down key to set the brightness of the image that is shown by the rear view camera for viewing at night between "0" and "22" .

3. Press the OK key.

Contrast

The "CONTRAST" menu allows the operator to adjust the contrast of the image that is shown by the rear view camera.

Table 157

"VIDEO MODE SETTING"	
"BRIGHTNESS"	"22"
"BRIGHTNESS (NIGHT)"	"22"
"CONTRAST"	"7"

1. Press the up key or the down key to highlight the "CONTRAST" menu. Press the OK key.

Table 158

"VIDEO MODE SETTING"	
"BRIGHTNESS"	"22"
"BRIGHTNESS (NIGHT)"	"22"
"CONTRAST"	"7"

2. Press the up key or the down key to set the contrast of the image that is shown by the rear view camera between "0" and "15" .

3. Press the OK key.

Monitor Starting, Switching, and Termination

Monitor Starting

If "VIDEO MODE" is set to "ON" the image that is shown by the rear view camera is displayed when the engine starts.

Note: If a warning is detected, the image that is shown by the rear view camera will not be displayed when the engine starts.

Monitor Switching From the Rear View Camera Image to the Default Screen

Press any key to return to the default display from the image that is shown by the rear view camera.

If any of the following conditions are found, the monitor will return to the default display automatically:

- New warning is found.
- The engine coolant temperature gauge reaches level 10.
- The hydraulic oil temperature gauge reaches level 10.
- The fuel level gauge reaches level 10.

Note: When the crane system is active the image that is shown by the rear view camera cannot be displayed continuously. Press the OK key to display the image from the rear view camera.

Monitor Switching From the Default Screen to the Rear View Camera Image

To display the image from the rear view camera from the default display, press the OK key.

Note: This operation is only valid when the default screen is displayed.

Monitor Termination

If the rear view camera is displayed and the engine start switch is turned to the "OFF" position, the monitor will terminate after the default display is shown for 3 seconds.

If the default display is shown and the engine start switch is turned to the "OFF" position, the monitor will terminate immediately.

i03720083

Storage Box (If Equipped)

SMCS Code: 7268

Interior Storage Box

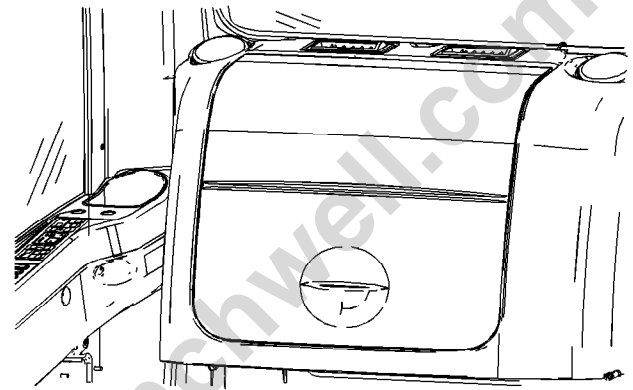


Illustration 109

g01096952

The storage box is used to store miscellaneous items such as a first aid kit or a lunch box.

Exterior Storage Box

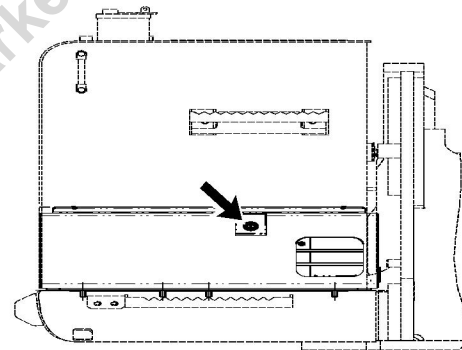


Illustration 110

g01096953

Open the storage box by pressing the push button. The storage box is used to store the refueling pump. The storage box is also used to store miscellaneous tools.

i05192538

Storage and Literature Compartment (If Equipped)

SMCS Code: 7268

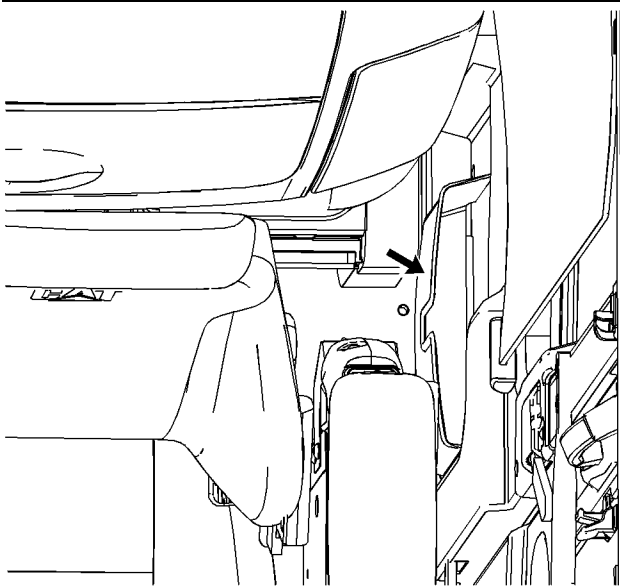


Illustration 111

g01160959

A storage compartment is located inside the cab on the left side. Use the compartment to store the literature for the machine.

Note: Do not store tools in the storage compartment. Tools stored in the compartment could damage the compartment.

i02397282

Fuel Transfer Pump (Refueling) (If Equipped)

SMCS Code: 1256

Use the following procedure to pump fuel and store hose.

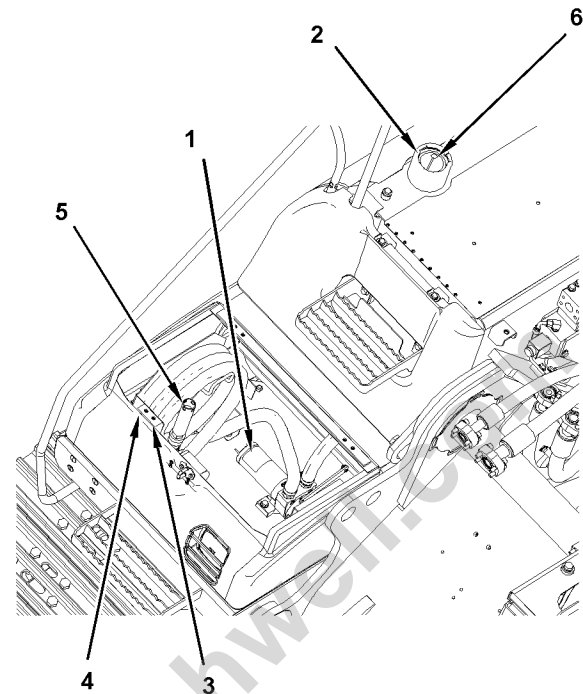


Illustration 112

g01197302

Open the cover of the storage box that is located on the right side in front of the fuel tank.

The electric refueling pump (1) pumps fuel into the fuel tank.

NOTICE

Do not continuously operate the refueling pump for more than 30 minutes. Do not operate the refueling pump more than a few seconds without fuel. Pump damage can result.



On – Push switch (3) in order to activate the refueling pump.



Off – Push switch (4) in order to deactivate the refueling pump.

1. Remove cap (2) from the fuel tank.
2. Properly insert the free end of suction hose (5) into a container of fuel.
3. Push switch (3) in order to supply the fuel to the tank. When the tank is full, the pump stops refueling.

Note: Look at level gauge (6) in order to determine the fuel level.

4. After refueling, install cap (2) to the fuel tank.

5. Make sure that excess fuel is drained from suction hose (5) before storing the suction hose.
6. When you store suction hose (5), wind the hose on the bar. Secure the hose end in place.

NOTICE

To prevent hose damage, do not coil the hose in a tight radius.

7. Close the cover of the storage box.

Excavator with Demolition Cab (If Equipped)

A special washer reservoir is installed when a demolition cab is used.

Provided for Free by Trenchwell.com
Shop Aftermarket Parts

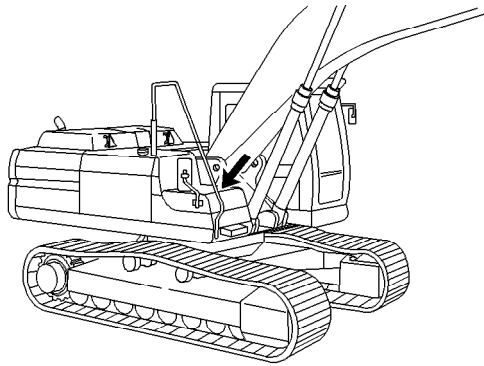


Illustration 113

g00464509

When a machine is equipped with a refueling pump and a demolition cab, the refueling pump is relocated under the exterior storage box.

i03911690

Radio (If Equipped)

SMCS Code: 7338

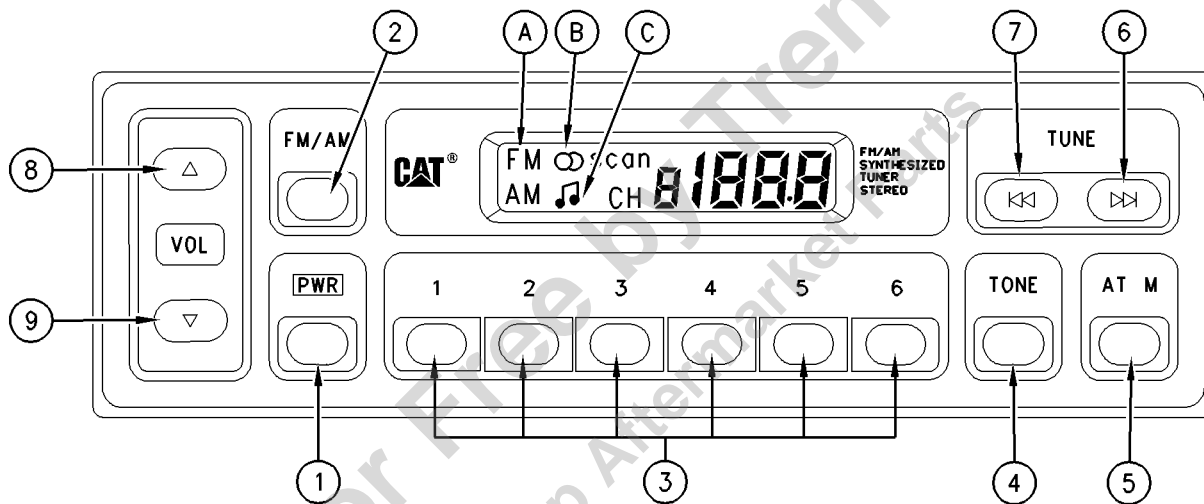


Illustration 114

g00729076

- | | | |
|-------------------------|--|--------------------|
| (A) Display panel | (3) Preset buttons | (7) "Tune" button |
| (B) Display (Stereo) | (4) "Tone" control | (8) Volume control |
| (C) Display (Music) | (5) Button for scan and auto memory function | (9) Volume control |
| (1) Power switch | (6) "Tune" button | |
| (2) AM/FM band selector | | |

Note: When the machine is in operation, turn down the volume of the radio.

Note: When a button is pushed, a beep will occur.

Note: The radio can be used only when the battery disconnect switch and the engine start switch are in the ON position.

(1) Power Switch – Push the power switch in order to turn on the radio. Push the power switch again in order to turn off the radio.

(2) AM/FM Band Selector – After you push the AM/FM band selector, the selected radio band appears on display panel (A).

(3) Preset Buttons – The circuitry in the memory system allows you to preset six radio stations. To preset any of the “preset” buttons, follow the “Later Type” procedure.

(4) Tone Control – Music is optimized by pressing the tone control so that display (C) will show “MUSIC”

(5) Scan and Auto Memory – Press button (5) for less than 0.5 seconds in order to listen to 5 seconds of each preset radio station. Press button (5) at least 1.5 seconds in order to store the radio stations with the six strongest signals.

(6) and (7) “Tune” Buttons – Push the “tune” buttons in order to select a radio station. Pressing “tune” button (7) will decrease the frequency. Pressing “tune” button (6) will increase the frequency. Pressing the “tune” button for less than 0.5 seconds changes the radio station one at a time. Pressing the “tune” buttons for more than 0.5 seconds will change the frequency automatically until a radio station is found.

(8) and (9) Volume Control – Push the volume control in order to control the volume. Push the upper volume control in order to increase the sound level and push the lower volume control in order to decrease the sound level.

Presetting Radio Stations

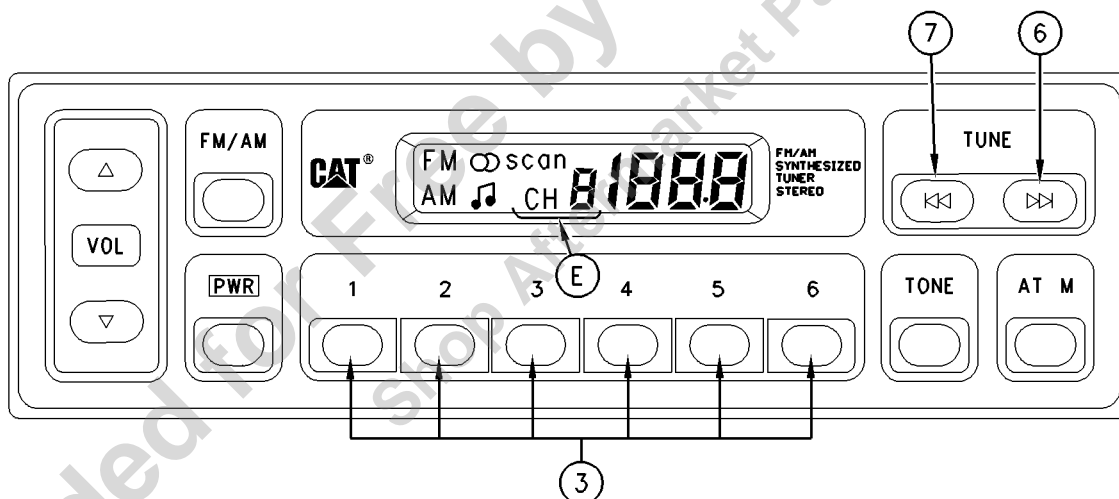


Illustration 115

g00729101

(E) Display
(3) Preset buttons

(6) “Tune” button
(7) “Tune” button

1. Turn on the radio. Select the AM band or the FM band.

2. Select the first radio station by using tuning switch (6) or tuning switch (7).

3. Depress one of preset buttons (3) for more than 1.5 seconds. The radio station is stored on display (E).
4. Push preset button (3) in order to tune in the radio station.
5. Repeat the same procedure for the remaining preset switches.

Note: When the preset station is faint, use the “tune” buttons to locate a stronger signal.

Scan and Auto Memory

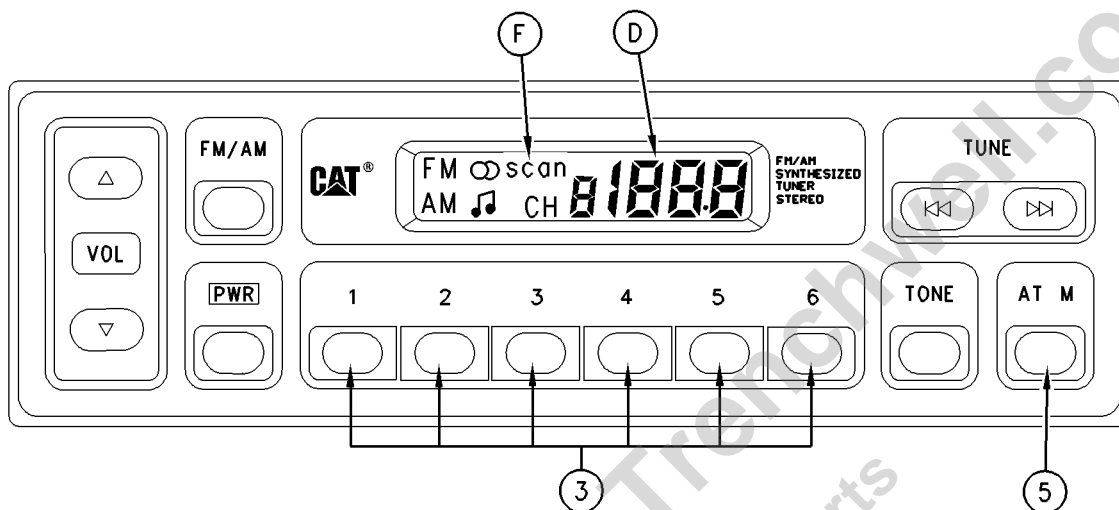


Illustration 116

g00729102

(D) Display (Frequency)
(F) Display (Scan)

(3) Preset buttons

(5) Button for scan and auto memory
function

Scan – Press button (5) for less than 0.5 seconds in order to listen for 5 seconds to each of the preset radio stations. Press button (5) again in order to stop scanning through the preset stations and keep listening to the current station. When this function is used, “SCAN” is shown on the display. The frequency of the radio station is also shown on the display.

Auto Memory – Press button (5) for more than 1.5 seconds in order to store the radio stations that have the strongest signal. The radio stations are stored in the six presets (3). Stations that are already stored in the memory will be erased.

Loss of Memory

The memory system is erased after a few days if the battery is disconnected.

Radio Reception

The area of reception can be set two different ways. Use the method that corresponds to the radio that is installed in your machine.

Early Type

Move the “area switch” according to the following table:

Operation Section
Air Conditioning and Heating Control

Table 159

AREA	Switch Position	
	1	2
North America		X
Central and South America		X
European Union	X	
Asia / Oceania	X	

Use the following procedure in order to set the desired area.

1. Turn off the radio.
2. Press preset button "1", preset button "4" and button (5) at the same time. Hold until "EU" or "US" is displayed on the display panel.

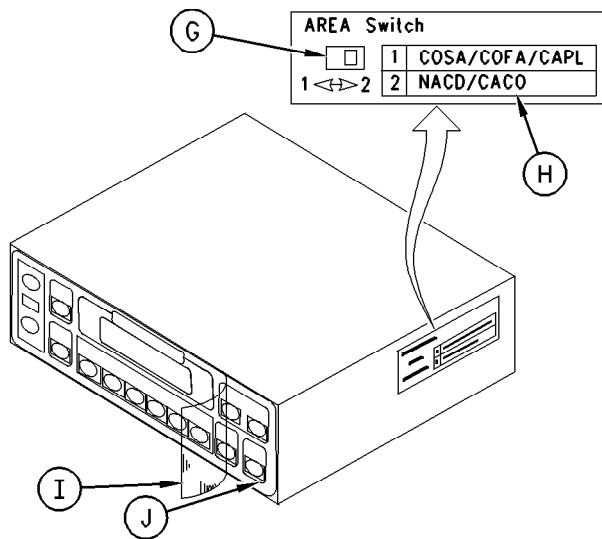


Illustration 117

g00729104

- (G) "Area switch"
(H) Selection table
(I) Protective film
(J) Control panel

Note: Remove the film from the radio. Remove the vinyl from the operator seat. The film and vinyl may cause noise interference in the radio.

Later Type

Note: The radio must be connected to a power source in order to set the area of reception.

Set the area of reception according to the following table:

Table 160

AREA	Display Setting	
	EU	US
North America		X
Central and South America		X
European Union	X	
Asia / Oceania	X	

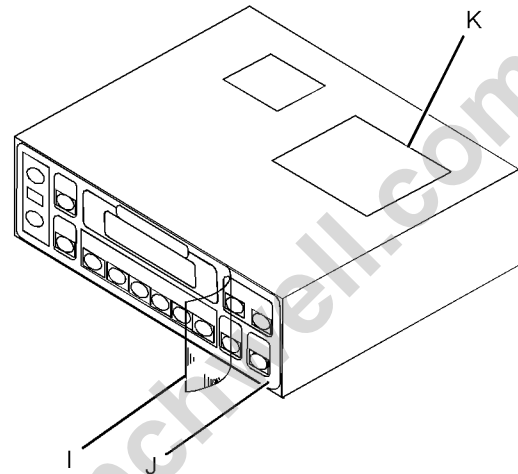


Illustration 118

g01566514

- (I) Protective film
(J) Control panel
(K) Method of selection

Note: Remove the film from the radio. Remove the vinyl from the operator seat. The film and vinyl may cause noise interference in the radio.

i02998725

Air Conditioning and Heating Control

SMCS Code: 7304; 7320; 7337

All machines are equipped with a heater. Only certain machines are equipped with an air conditioner. Those machines that are not equipped with an air conditioner also are not equipped with a compressor switch.

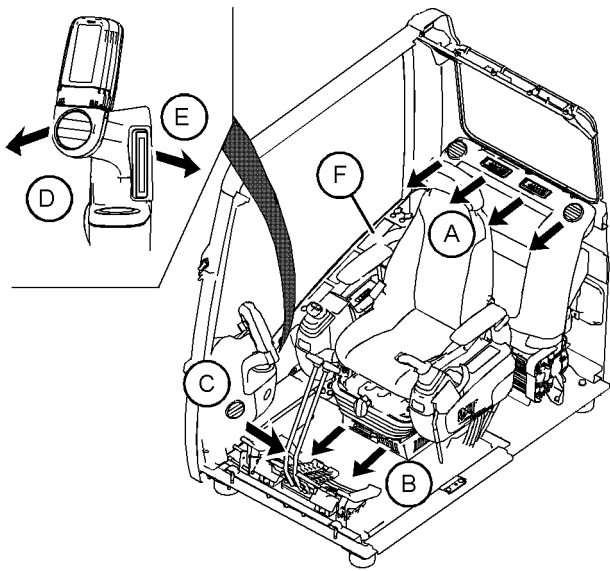


Illustration 119

g01122088

- (A) Vent for upper body
- (B) Floor vent
- (C) Defroster vent
- (D) Defroster Vent
- (E) Vent for upper body
- (F) Control panel

Redirect the louvers for air outlets (A), (C), (D), and (E) by hand to the desired direction. The louvers for air outlet (B) cannot be redirected.

The climate control panel is located under the right window inside the cab:

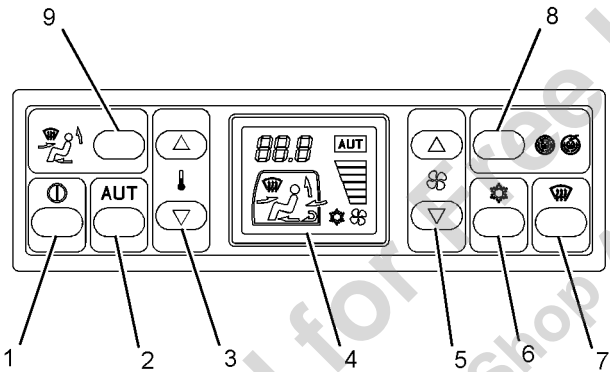


Illustration 120

g01106999

- (1) On/Off switch
- (2) Automatic control switch
- (3) Temperature switch
- (4) LCD panel
- (5) Fan switch
- (6) Compressor switch
- (7) Defrost mode
- (8) Air inlet select switch
- (9) Air outlet select switch



Main Power ON/OFF Switch (1) – Push the ON/OFF switch in order to power on the system. Push the switch again in order to power off the system.



Automatic Control Switch (2) – In order to enter the full “AUT” mode for automatic climate control, push this switch. However, if you push the switch again, you cannot turn off the air conditioning. When the system is in full “AUT” mode, you can manually change specific functions by pushing another switch. If you manually change a specific function, “AUT” does not appear in the display, but the unchanged functions will remain in “AUT” mode. Even on a day that is sunny, a climate control system with only a heater can cool the cab in full “AUT” mode if the ambient temperature is no more than 20 °C (68 °F).

The climate control unit provides excellent operator comfort in the full “AUT” setting. Press the “AUT” switch for full “AUT” mode. Push temperature switch (3) in order to set the desired temperature. The temperature is only shown in metric values. All other functions of climate control will be handled automatically.

In order to take advantage of the full “AUT” setting of the climate control system, always keep the sunlight sensor clean. Do not obstruct the sunlight sensor. If the climate control system is in the full “AUT” setting at engine start-up and the temperature inside the cab is too warm or too cool, the damper for fresh air ventilation may automatically close for a few minutes. This will help to bring the air temperature to the preset temperature more quickly.



Temperature Switch (3) – These switches control the temperature of the air that is coming from the air outlets in order to achieve the preset temperature. This preset temperature appears on LCD panel (4). If the heating and air conditioning system is in the automatic mode, pushing these switches changes the preset temperature.



Increase – Push this switch in order to increase the temperature of the air that is coming out of the air outlets or push this switch in order to increase the preset temperature.



Decrease – Push this switch in order to decrease the temperature of the air that is coming out of the air outlets or push this switch in order to decrease the preset temperature.



Fan Switch (5) – The fan switch directly controls the fan speed. If the climate control system is operating in the automatic mode, pushing this switch overrides the automatically selected fan speed.



Increase – Push this switch in order to increase the fan speed.



Decrease – Push this switch in order to decrease the fan speed.



Compressor Switch (6) – Push the switch in order to turn on the compressor or push the switch in order to turn off the compressor. In humid conditions, the compressor may be used to remove moisture from the air in the cab. In cool weather, operate the compressor weekly in order to prevent leakage of the refrigerant gas. This will also help to maintain the compressor in optimum working order.



Defrost (7) – Depressing this switch will defog the windows. The air will also be dehumidified while the compressor is running. This selection directs air flow out of air outlet (C) and air outlet (D).

Air Inlet Select Switch (8) – This switch selects the position of the air inlet.



Recirculate – When this position is selected, the air inlet is closed. The air will recirculate inside the cab.



Fresh Air – When this position is selected, the air inlet is open. Fresh air will circulate into the cab.

Air Outlet Select Switch (9) – This switch selects the position of each air outlet. Each switch controls a different air outlet.



Upper Body – Selecting this switch will open air outlet (A) and air outlet (D).



Upper Body and Floor – Selecting this switch will open air outlet (A), air outlet (B) and air outlet (D).



Floor – Selecting this switch will open air outlet (B).



Floor and Defroster – Selecting this switch will open air outlet (B) and air outlets (C) and (D).

Consult with your Caterpillar dealer for periodic maintenance of the heating and air conditioning system.

English Versus Metric Toggle

In order to convert the temperature reading from Degrees Celsius to Degrees Fahrenheit, depress both keys of the fan switch at the same time for five seconds. The same action is used for converting the temperature reading from Degrees Fahrenheit to Degrees Celsius.

i05197649

Air Conditioning and Heating Control

SMCS Code: 7304; 7320; 7337

S/N: KGF1–Up

S/N: TDH1–Up

S/N: FAL1–Up

S/N: KLM1–Up

S/N: SPN1–Up

S/N: GDP1–Up

All machines are equipped with a heater. Only certain machines are equipped with an air conditioner. Those machines that are not equipped with an air conditioner also are not equipped with a compressor switch.

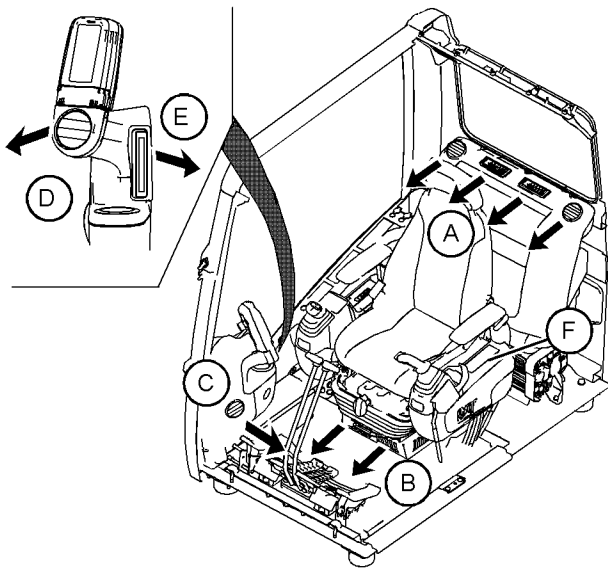


Illustration 121

g03330500

- (A) Vent for upper body
- (B) Floor vent
- (C) Defroster vent
- (D) Defroster vent
- (E) Vent for upper body
- (F) Control panel

Redirect the louvers for air outlets (A), (C), (D), and (E) by hand to the desired direction. The louvers for air outlet (B) cannot be redirected.

The climate control panel is located under the right window inside the cab:

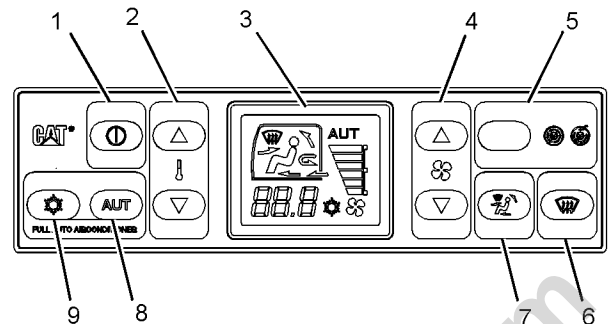


Illustration 122

g03330502

- (1) On/Off switch
- (2) Temperature switch
- (3) LCD panel
- (4) Fan switch
- (5) Air inlet select switch
- (6) Defrost mode
- (7) Air outlet select switch
- (8) Automatic control switch
- (9) Compressor switch



Main Power ON/OFF Switch (1) – Push the ON/OFF switch in order to power on the system. Push the switch again in order to power off the system.



Temperature Switch (2) – These switches control the temperature of the air that is coming from the air outlets in order to achieve the preset temperature. This preset temperature appears on LCD panel (3). If the heating and air conditioning system is in the automatic mode, pushing these switches changes the preset temperature.



Increase – Push this switch in order to increase the temperature of the air that is coming out of the air outlets or push this switch in order to increase the preset temperature.



Decrease – Push this switch in order to decrease the temperature of the air that is coming out of the air outlets or push this switch in order to decrease the preset temperature.



Fan Switch (4) – The fan switch directly controls the fan speed. If the climate control system is operating in the automatic mode, pushing this switch overrides the automatically selected fan speed.



Increase – Push this switch in order to increase the fan speed.



Decrease – Push this switch in order to decrease the fan speed.

Air Inlet Select Switch (5) – This switch selects the position of the air inlet.



Recirculate – When this position is selected, the air inlet is closed. The air will recirculate inside the cab.



Fresh Air – When this position is selected, the air inlet is open. Fresh air will circulate into the cab.



Defrost (6) – Depressing this switch will defog the windows. The air will also be dehumidified while the compressor is running. This selection directs air flow out of air outlet (C) and air outlet (D).

Air Outlet Select Switch (7) – This switch selects the position of each air outlet. Each switch controls a different air outlet.



Upper Body – Selecting this switch will open air outlet (A) and air outlet (D).



Upper Body and Floor – Selecting this switch will open air outlet (A), air outlet (B) and air outlet (D).



Floor – Selecting this switch will open air outlet (B).



Floor and Defroster – Selecting this switch will open air outlet (B) and air outlets (C) and (D).



Automatic Control Switch (8) – In order to enter the full “AUT” mode for automatic climate control, push this switch. However, if you push the switch again, you cannot turn off the air conditioning. When the system is in full “AUT” mode, you can manually change specific functions by pushing another switch. If you manually change a specific function, “AUT” does not appear in the display, but the unchanged functions will remain in “AUT” mode. Even on a day that is sunny, a climate control system with only a heater can cool the cab in full “AUT” mode if the ambient temperature is no more than 20 °C (68 °F).

The climate control unit provides excellent operator comfort in the full “AUT” setting. Press the “AUT” switch for full “AUT” mode. Push temperature switch (2) in order to set the desired temperature. The temperature is only shown in metric values. All other functions of climate control will be handled automatically.

In order to take advantage of the full “AUT” setting of the climate control system, always keep the sunlight sensor clean. Do not obstruct the sunlight sensor. If the climate control system is in the full “AUT” setting at engine start-up and the temperature inside the cab is too warm or too cool, the damper for fresh air ventilation may automatically close for a few minutes. This will help to bring the air temperature to the preset temperature more quickly.



Compressor Switch (9) – Push the switch in order to turn on the compressor or push the switch in order to turn off the compressor. In humid conditions, the compressor may be used to remove moisture from the air in the cab. In cool weather, operate the compressor weekly in order to prevent leakage of the refrigerant gas. This will also help to maintain the compressor in optimum working order.

Consult with your Caterpillar dealer for periodic maintenance of the heating and air conditioning system.

English Versus Metric Toggle

In order to convert the temperature reading from Degrees Celsius to Degrees Fahrenheit, depress both keys of the fan switch at the same time for five seconds. The same action is used for converting the temperature reading from Degrees Fahrenheit to Degrees Celsius.

i02747553

Window (Front)

SMCS Code: 7310-FR

Note: The cab visor (if equipped) must be down before the front window is raised. The front window will not lock in the overhead storage position with the cab visor in the raised position.

To provide full ventilation inside the cab, the upper window and the lower window can be fully opened.

WARNING

When opening or closing the windows, be extra careful to prevent any personal injury. The hydraulic lockout control must be in the LOCKED position in order to prevent any possibility of sudden movement of the machine due to inadvertent contact with the hydraulic control(s).

Do not change the position of the window until the following items have been done:

- Park the machine on a level surface.
- Lower the work tool to the ground.
- Move the hydraulic lockout control to the LOCKED position.
- Stop the engine.

Perform Step 1 through Step 3 in order to open the upper window.

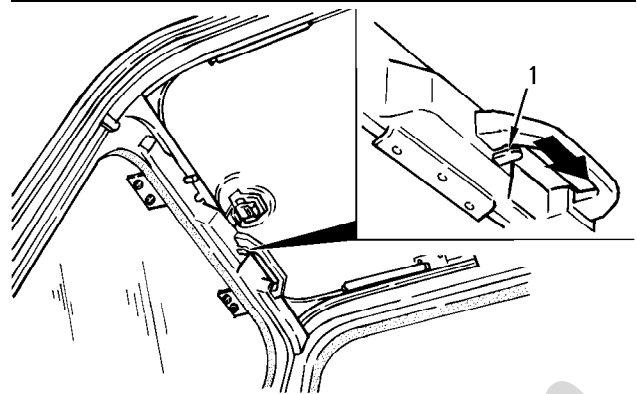


Illustration 123

g00680494

(1) Lever

1. Release the auto-lock latch by moving lever (1) to the right.



Illustration 124

g00680495

2. Hold both grips that are located at the bottom of the window frame and at the top of the auto-lock latch. Push the window upward.

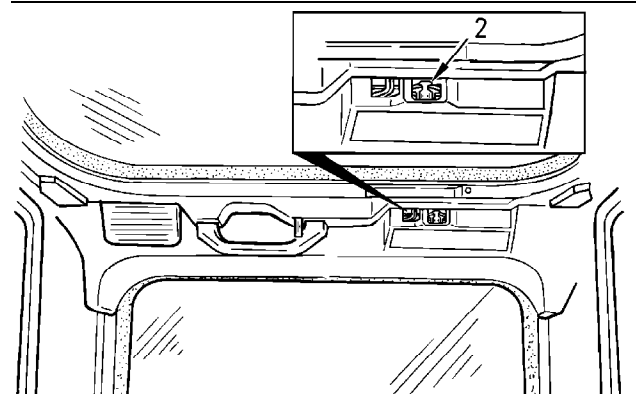


Illustration 125

g00680498

(2) Auto-lock latch

3. Hold both grips that are provided on the window frame and move the window into the STORAGE position until auto-lock latch (2) is engaged.

Perform Steps 4 through 5 in order to close the upper window.

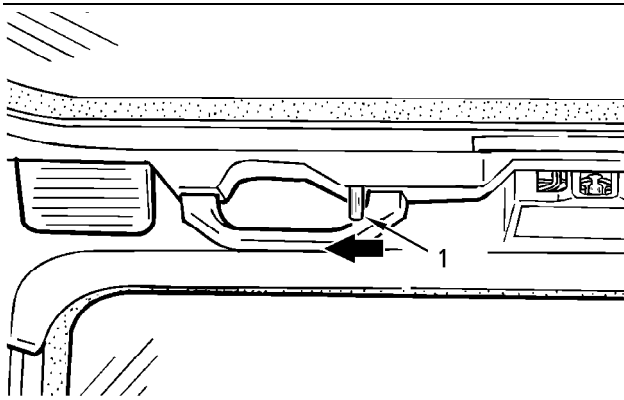


Illustration 126

g00680499

(1) Lever

4. Move the lever of the auto-lock latch (1) in the direction of the arrow in order to release the auto-lock latch.
5. Reverse Steps 1 through 3 in order to close the upper window.

Perform Steps 6 through 8 in order to open the lower window and close the lower window.

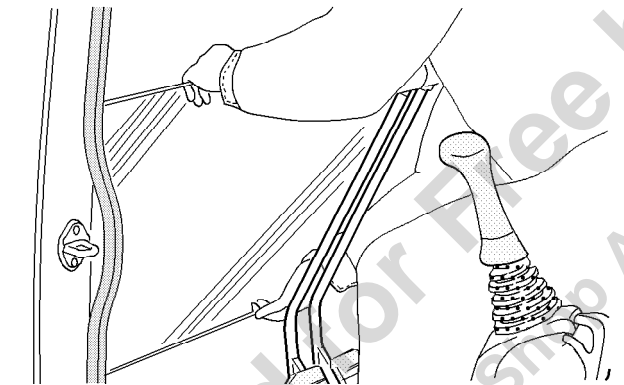


Illustration 127

g00103837

6. Raise the lower window out of the window frame.

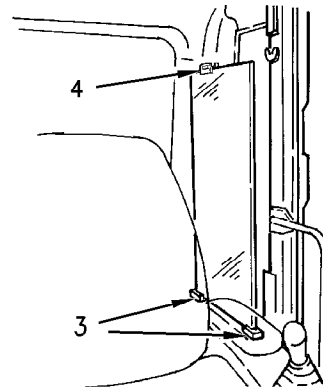


Illustration 128

g00680500

(3) Brackets
(4) Catch

7. Store the lower window in the holder that is located in the rear of the left side cab frame. To store the lower window, locate one end of the lower window into brackets (3). Secure the opposite end of the lower window with catch (4).

8. To close the lower window, reverse the procedure that is used for opening the lower window.

Note: The lower window is curved. The lower window can only be positioned one way in the holders.

i03199465

Mirror (If Equipped)

SMCS Code: 7319

⚠ WARNING

Adjust all mirrors as specified in the Operation and Maintenance Manual. Failure to heed this warning can lead to personal injury or death.

⚠ WARNING

Slips and falls can result in personal injury. Use the machines access systems when adjusting the mirrors. If the mirrors cannot be reached using the machine access systems follow the instructions found within the Operation and Maintenance Manual, "Mirror" in order to access the mirrors.

Note: Your machine may not be equipped with all of the mirrors that are described in this topic.

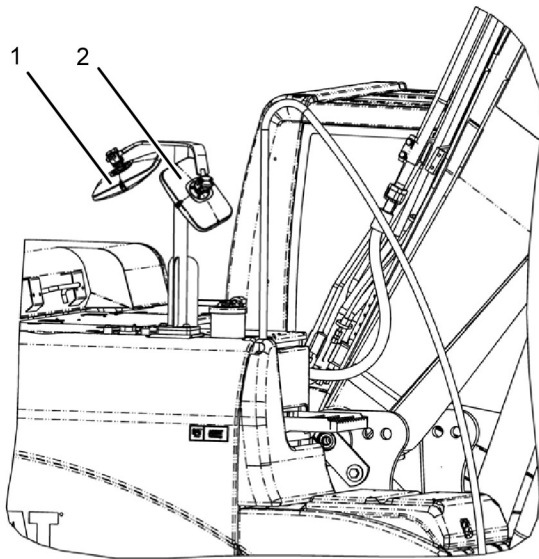


Illustration 129

g01624771

- (1) Rear Mirror on the Tank
(2) Front Mirror on the Tank

Mirror Adjustment

- Park the machine on a level surface.
- Lower the work tool to the ground.
- Move the hydraulic lockout control to the LOCKED position. For further details on this procedure, refer to Operation and Maintenance Manual, "Operator Controls"
- Stop the engine.
- Adjust rear view mirrors in order to provide visibility behind the machine at a maximum distance of 30 m (98 ft) from the rear corners of the machine.

Note: Hand tools may be needed in order to adjust the mirrors. Refer to Specifications, SENR3130, "Torque Specifications" for the recommended torque.

Rear Mirror on the Tank (1)

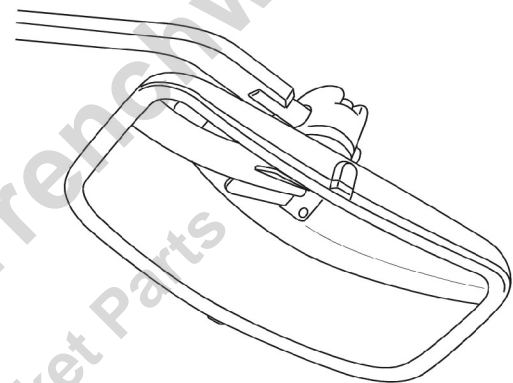


Illustration 131

g01631173

If equipped, adjust the rear mirror on the tank, so the right side of fuel tank and the hydraulic tank can be seen from the operator seat. A view of at least 1 m (3.3 ft) from the side of the machine should be seen from the operator seat.

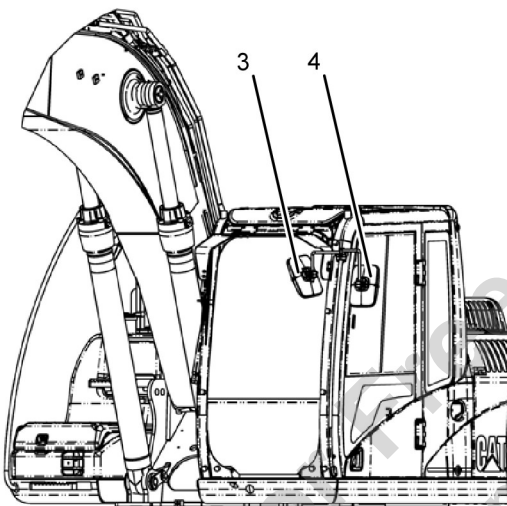


Illustration 130

g01624808

- (3) Front Mirror on the Cab
(4) Left Mirror on the Cab

Mirrors provide additional visibility around your machine. Make sure that the mirrors are in proper working condition and that the mirrors are clean. Adjust all mirrors at the beginning of each work period and adjust the mirrors when you change operators.

Modified Machines or machines that have additional equipment or attachments may influence your visibility.

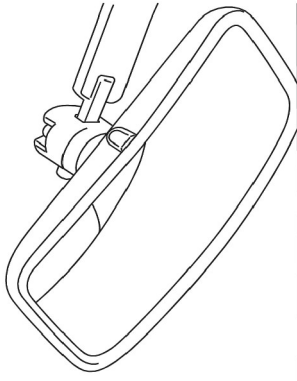
Front Mirror on the Tank (2)

Illustration 132

g01631174

If equipped, adjust the front mirror on the tank (2) so the right access door and the counterweight can be seen from the operator seat. A view of at least 1 m (3.3 ft) from the side of the machine should be seen from the operator seat. Additionally, provide as much visibility to the rear as possible.

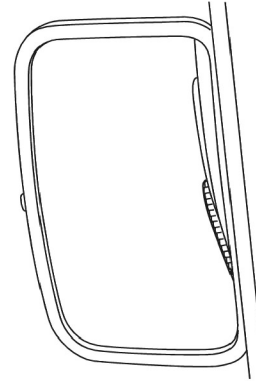
Left Mirror on the Cab (4)

Illustration 134

g01631175

If equipped, adjust the left mirror on the cab (4) so the left side of the cab, access door and rear of left track can be seen from the operator seat. A view of at least 1 m (3.3 ft) from the side of the machine should be seen from the operator seat. Additionally, provide as much visibility to the rear as possible.

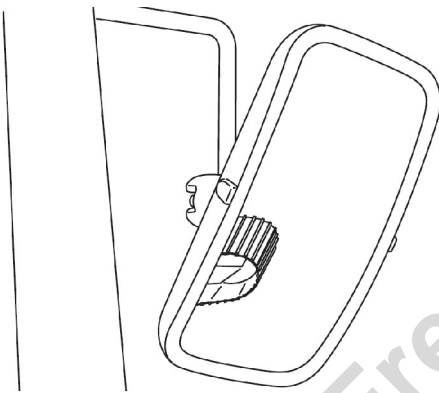
Front Mirror on the Cab (3)

Illustration 133

g01626960

If equipped, adjust the front mirror on the cab (1) so the front of the right track can be seen from the operator seat. A view of at least 1 m (3.3 ft) from the right front of the machine should be seen from the operator seat.

**Cab Visor
(If Equipped)**

SMCS Code: 7301-ZZ

i01523337

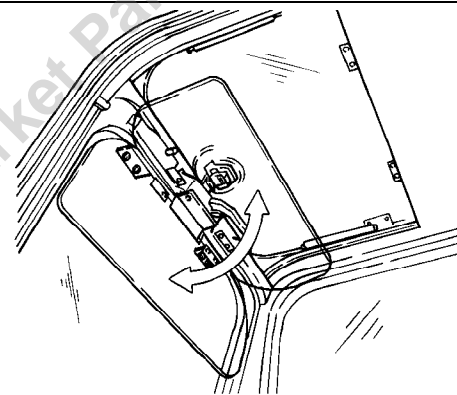


Illustration 135

g00681071

The cab visor is used to shade the sunlight that is coming in through the sun roof or coming in through the front windshields. Attach the cab visor to the top of the front windshield and tilt the cab visor to the desired angle.

Note: The cab visor cannot be attached to a power window.

i01463742

Roof Hatch

SMCS Code: 7303

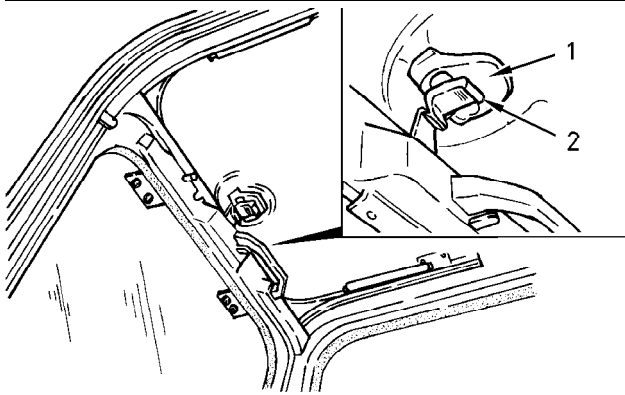


Illustration 136

g00681034

- (1) Grip
- (2) Lock

In order to open the roof hatch, release lock (2). Hold grip (1) and push the roof hatch backward.

To close the roof hatch, hold grip (1) and pull the roof hatch forward. Engage lock (2) securely.

i02325795

Cab Door

SMCS Code: 7308

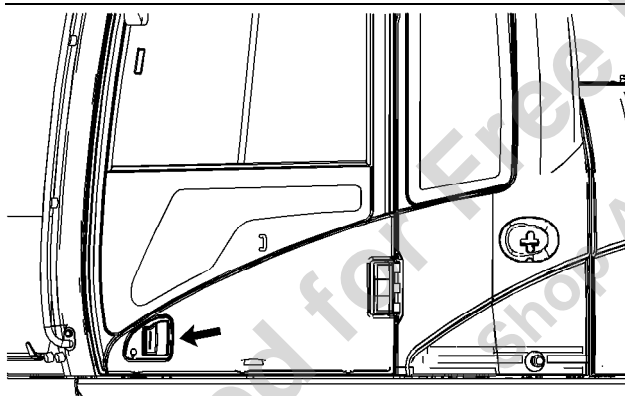


Illustration 137

g01096558

In order to open the cab door from the outside of the cab, pull outward on the door handle.

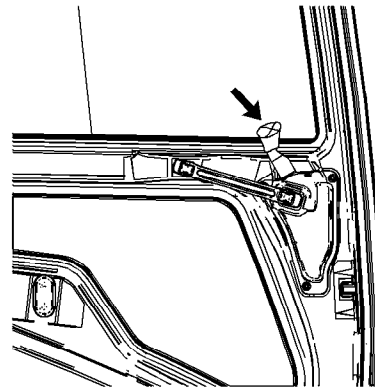


Illustration 138

g01095780

In order to open the cab door from the inside of the cab, push forward on the lever for the cab door latch.

For additional ventilation, open the cab door all the way in order to engage the catch on the exterior wall of the cab.

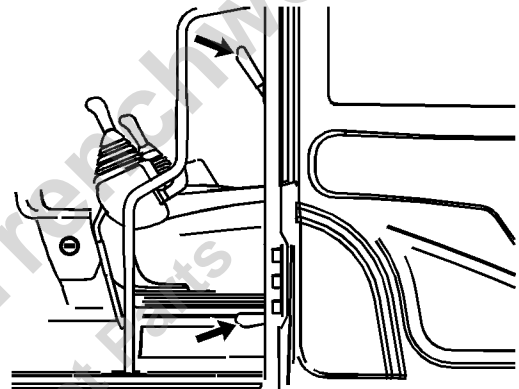


Illustration 139

g01121189

In order to release the cab door from the catch, pull downward on one of the two cab door release levers.

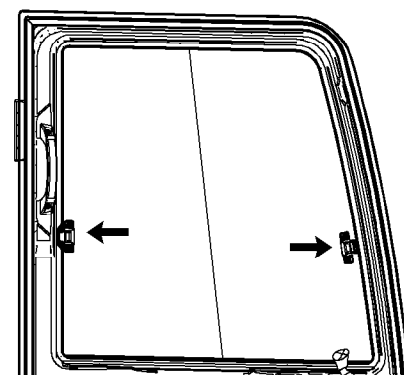


Illustration 140

g01096005

In order to open a window, release the window latch, and then slide the window to the desired position.

i01447292

Travel Control (Straight Travel Pedal (If Equipped))

SMCS Code: 5462

WARNING

With certain attachment combinations, the third pedal can have different functions. Always check for third pedal function before using the third pedal. Improper operation of the third pedal could result in serious injury or death.

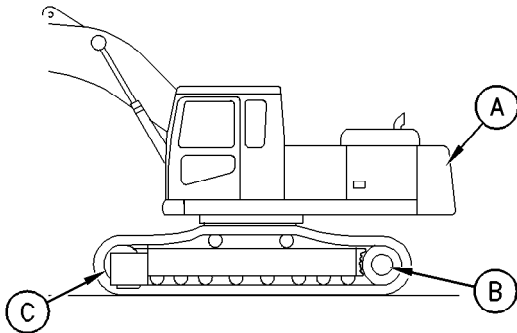


Illustration 141

g00753277

Position for normal travel

- (A) Rear of machine
- (B) Final drive
- (C) Idler

When you travel, make sure that final drive sprockets (B) are under the rear of the machine.

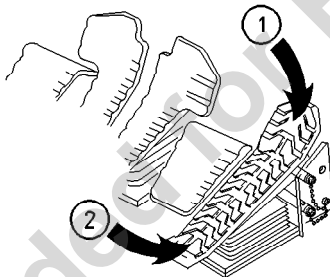


Illustration 142

g00757775

- (1) Forward Travel
- (2) Reverse Travel

The third pedal is to the right of the right travel pedal.
The third pedal controls the forward and backward movement of the machine.

Note: If the third pedal is depressed and a travel pedal or a travel lever is operated, the machine will turn accordingly.

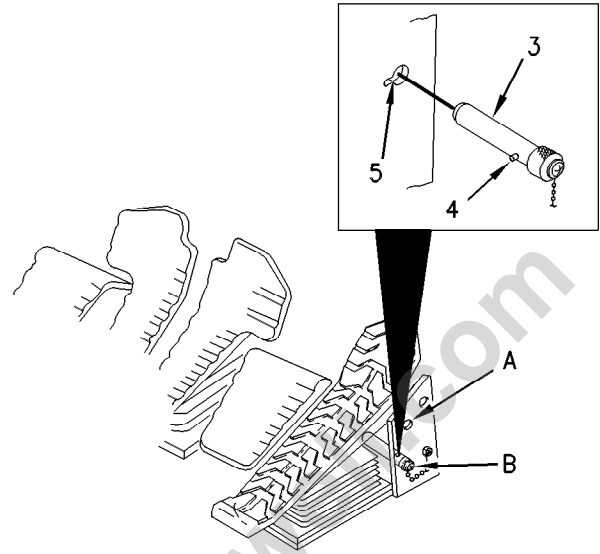


Illustration 143

g00555934

- (3) Lock pin
- (4) Pin
- (5) Notch
- (A) LOCKED position
- (B) UNLOCKED position (STORAGE position)

When the machine is not operated with the third pedal, install lock pin (3) at the LOCKED position in order to prevent accidental operation.

Note: To prevent lock pin (3) from being pulled out, insert pin (4) through notch (5) and turn lock pin (3) counterclockwise by 1/4 turn.

i03764090

Joystick Controls (Medium Pressure (If Equipped))

SMCS Code: 5705

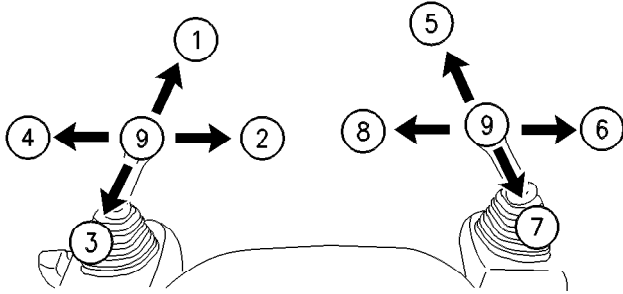


Illustration 144

g00559405

- (1) STICK OUT
- (2) SWING RIGHT
- (3) STICK IN
- (4) SWING LEFT
- (5) BOOM LOWER
- (6) TOOL OPEN
- (7) BOOM RAISE
- (8) TOOL CLOSE
- (9) HOLD

WARNING

The Fine Swing Control delays the engagement of the swing parking brake.

If the machine is operating on a slope with the Fine Swing Control in the ON position, the swing motion may become uncontrollable which could result in property damage, personal injury or death.

Turn the Fine Swing Control to the OFF position when the machine is operating on a slope.

When you release the joysticks from any position, the joysticks will return to HOLD position (9). Movement of the upper structure will stop unless the fine swing control (if equipped) is ON. When the fine swing control is ON, the swing parking brake will not activate until 6.5 seconds after the joystick control for the swing function returns to the HOLD position.

The machine control pattern is initially set at the factory to the SAE system, as shown. The pattern on the left pertains to the left joystick and the pattern on the right pertains to the right joystick.

The machine control pattern can be varied. Refer to Operation and Maintenance Manual, "Joystick Controls Alternate Patterns" for more information.

Two functions may be performed at the same time by moving a joystick diagonally.

Rotating Tool Control

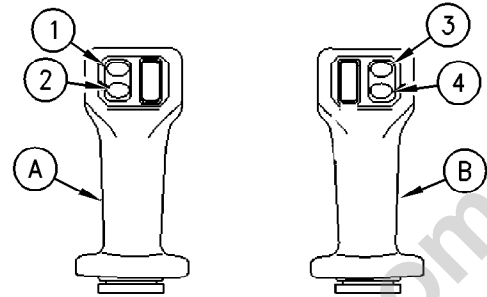


Illustration 145

g00875108

- (A) Left joystick
- (B) Right joystick
- (1) Medium pressure switch
- (2) Horn switch
- (3) Medium pressure switch
- (4) AEC switch



Rotate Clockwise – Press the medium pressure switch (1) on the left joystick in order to rotate the tool clockwise.



Horn – Press the horn switch (2) on the left joystick in order to activate the horn.



Rotate Counterclockwise – Press the medium pressure switch (3) on the right joystick in order to rotate the tool counterclockwise.



AEC Switch – Press the AEC switch (4) on the right joystick in order to activate low engine speed. Press the switch again in order to activate high engine speed.

i04036189

Joystick Controls

SMCS Code: 5705

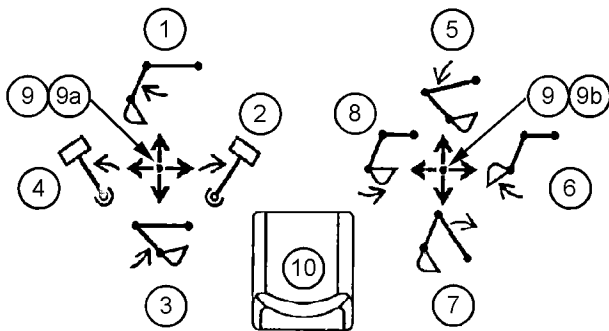


Illustration 146

g02233473

- (1) STICK OUT
- (2) SWING RIGHT
- (3) STICK IN
- (4) SWING LEFT
- (5) BOOM LOWER
- (6) BUCKET DUMP
- (7) BOOM RAISE
- (8) BUCKET CLOSE
- (9) HOLD
- (9a) HORN (IF EQUIPPED)
- (9b) AUTOMATIC ENGINE SPEED CONTROL SWITCH (IF EQUIPPED)
- (10) Seat

WARNING

The Fine Swing Control delays the engagement of the swing parking brake.

If the machine is operating on a slope with the Fine Swing Control in the ON position, the swing motion may become uncontrollable which could result in property damage, personal injury or death.

Turn the Fine Swing Control to the OFF position when the machine is operating on a slope.

When you release the joysticks from any position, the joysticks will return to HOLD position (9). Movement of the upper structure will stop unless the fine swing control (if equipped) is ON. When the fine swing control is ON, the swing parking brake will not activate until 6.5 seconds after the joystick control for the swing function returns to the HOLD position.

Two functions may be performed at the same time by moving a joystick diagonally.

The machine control pattern is initially set at the factory to the SAE system, as shown. The pattern on the left pertains to the left joystick and the pattern on the right pertains to the right joystick.

The machine control pattern can be varied. Refer to Operation and Maintenance Manual, "Joystick Controls Alternate Patterns" for more information.

i01499640

Work Tool Control (One-Way Flow)

(Electric Joystick (If Equipped))

SMCS Code: 6700

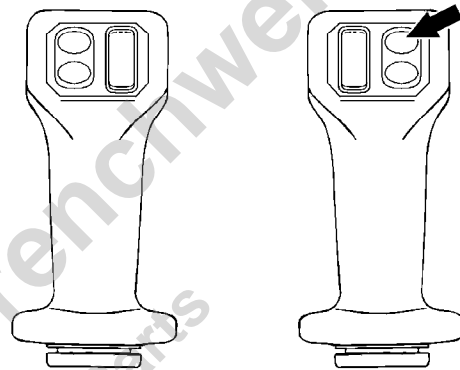


Illustration 147

g00690352

Hydraulic Hammer ON – Push the top right switch on the right joystick in order to activate the hydraulic hammer.

Hydraulic Hammer OFF – Release the switch in order to deactivate the hydraulic hammer.

i04477973

Work Tool Control (One-Way Flow)

(If Equipped)

SMCS Code: 6700

The following information pertains to work tools that require hydraulic oil flow in one direction. Hydraulic hammers are an example of work tools that require hydraulic oil flow in one direction.

Note: For information that pertains to work tools that require hydraulic oil flow in two directions, refer to Operation and Maintenance Manual, "Work Tool Control (Two-Way Flow)".

Joystick

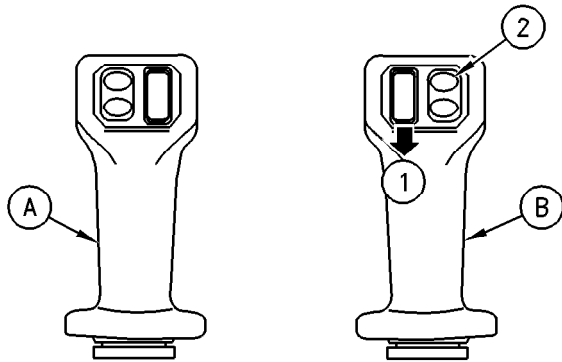


Illustration 148

g00769298

- (A) Left joystick
- (B) Right joystick



(1) Variable Speed – Move the thumb wheel downward in order to activate the work tool. Move the thumb wheel further in order to increase the speed of the work tool.



(2) On/Off – Push this switch in order to activate the work tool at a constant rate. Push this switch again in order to turn off the work tool.

Work Tool Pedal

WARNING

With certain attachment combinations, the work tool pedal can have different functions. Always check for work tool pedal function before using the work tool pedal. Improper operation of the work tool pedal could result in serious injury or death.

The work tool pedal can be located on either side of the travel pedals. The work tool pedal allows the operator to modulate the speed of the work tool.

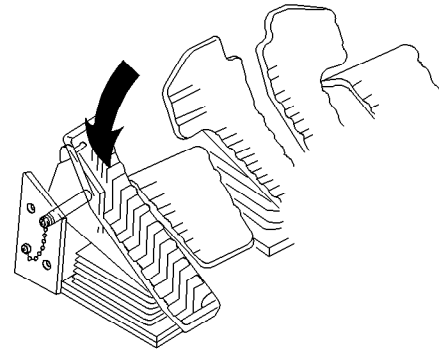


Illustration 149

g00756717



Variable Speed – Push down on the front of the pedal in order to activate the work tool. Move the pedal further in order to increase the speed of the work tool. Release the pedal in order to turn off the work tool.

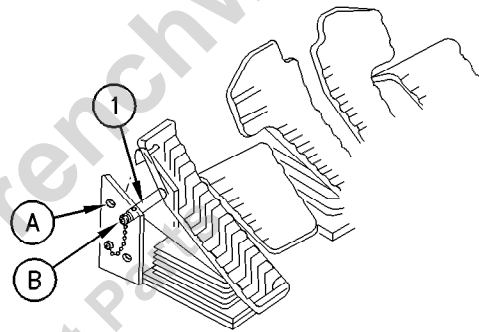
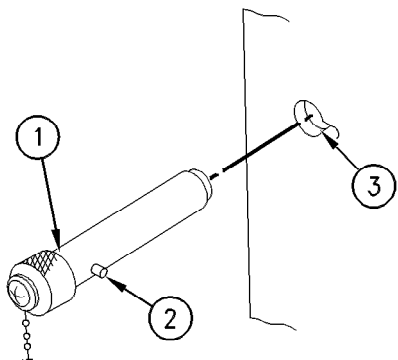


Illustration 150

g00291764

- (1) Lock pin
- (A) UNLOCKED position
- (B) LOCKED position

When you are not using the work tool, put the lock pin (1) in LOCKED position (B). This will lock the work tool pedal in order to prevent any unexpected operation of the work tool.



i04477990

Work Tool Control (Two-Way Flow) (If Equipped)

SMCS Code: 6700

The following information pertains to work tools that require hydraulic oil flow in two directions. These work tools can also be equipped with a rotate circuit. Hydraulic shears, pulverizers, crushers, and grapples are examples of work tools that require hydraulic oil flow in two directions.

Note: For information that pertains to hydraulic hammers, refer to Operation and Maintenance Manual, "Work Tool Control (One-Way)".

Illustration 151

g00291805

- (1) Lock pin
- (2) Pin
- (3) Notch

Note: To prevent lock pin (1) from being accidentally pulled out, insert pin (2) through notch (3) and turn lock pin (1) counterclockwise by 1/4 turn.

Foot Switch

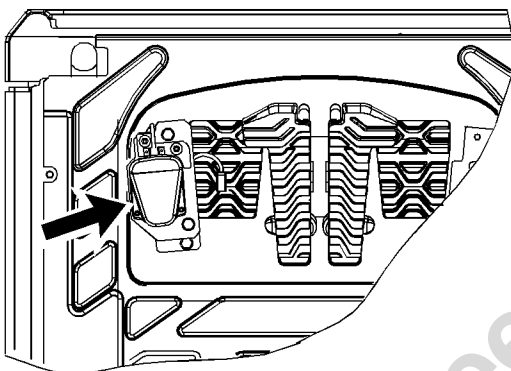


Illustration 152

g02368316

Hydraulic Hammer ON – Push down on the foot switch in order to activate the hydraulic hammer.

Hydraulic Hammer OFF – Release the switch in order to deactivate the hydraulic hammer.

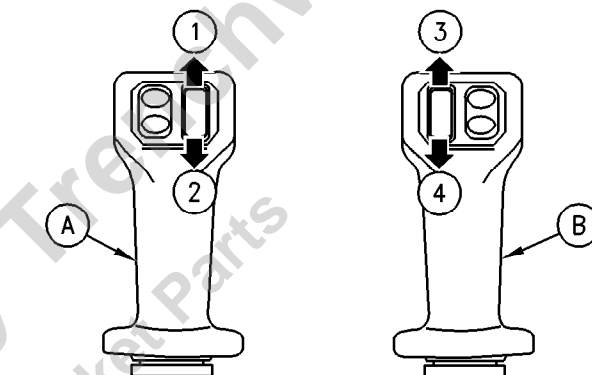


Illustration 153

g00731659

- (A) Left joystick
- (B) Right joystick



(1) ROTATE CLOCKWISE – Move the thumb wheel upward in order to rotate the work tool clockwise.



(2) ROTATE COUNTERCLOCKWISE – Move the thumb wheel downward in order to rotate the work tool counterclockwise.



(3) CLOSE – Move the thumb wheel upward in order to close the work tool.



(4) OPEN – Move the thumb wheel downward in order to open the work tool.

Work Tool Pedal

⚠ WARNING

With certain attachment combinations, the work tool pedal can have different functions. Always check for work tool pedal function before using the work tool pedal. Improper operation of the work tool pedal could result in serious injury or death.

The work tool pedal can be located on either side of the travel pedals. The work tool pedal allows the operator to vary the speed of the work tool.

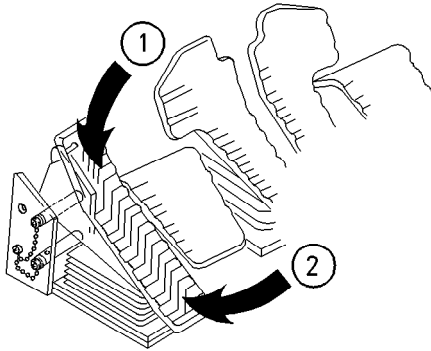


Illustration 154

g00756810



(1) CLOSE – Push down on the front of the pedal in order to close the work tool.



(2) OPEN – Push down on the rear of the pedal in order to open the work tool.

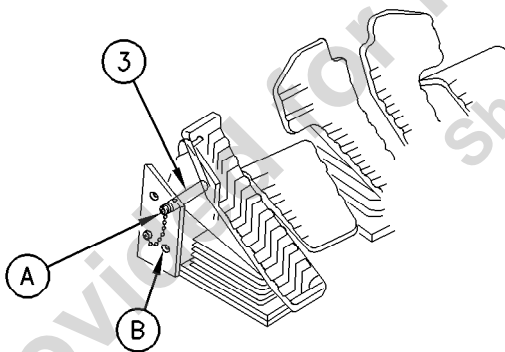


Illustration 155

g00756813

- (3) Lock pin
- (A) LOCKED position
- (B) UNLOCKED position

When you are not using the work tool, put the lock pin (3) in LOCKED position (A). This will lock the work tool pedal in order to prevent any unexpected operation of the work tool.

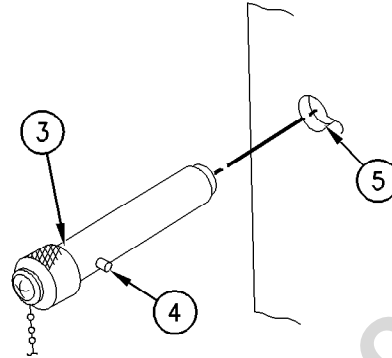


Illustration 156

g00756811

- (3) Lock pin
- (4) Pin
- (5) Notch

Note: To prevent lock pin (3) from being accidentally pulled out, insert pin (4) through notch (5) and turn lock pin (3) by 1/4 turn.

i03063611

Joystick Controls Alternate Patterns

SMCS Code: 5059; 5137

Changing Machine Control Pattern By Four-Way Valve (If Equipped)

⚠ WARNING

Whenever a change is made to the machine control pattern, also exchange the pattern card in the cab to match the new pattern.

Check the machine control pattern for conformance to the pattern on the card in the cab. If the pattern does not match, change the card to match the machine control pattern before you operate the machine. Failure to do so could result in personal injury.

If the machine is equipped with a four-way valve, the machine control pattern can easily be changed. The machine control pattern can be changed to the SAE system, MHI system, KOB system or the former SCM system by changing the four-way valve position. To change the four-way valve position, use the following procedure.

Operation Section
Joystick Controls Alternate Patterns

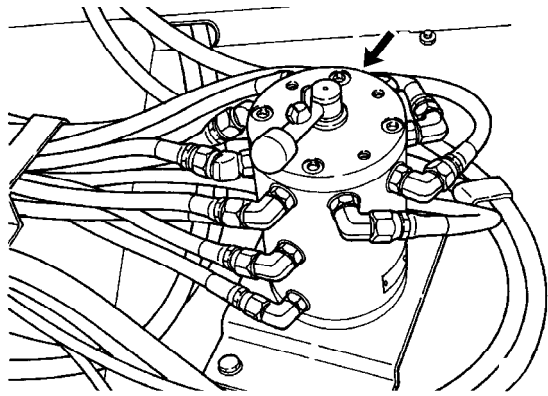


Illustration 157 g00682736

The four-way valve (if equipped) is located in front of the radiator.

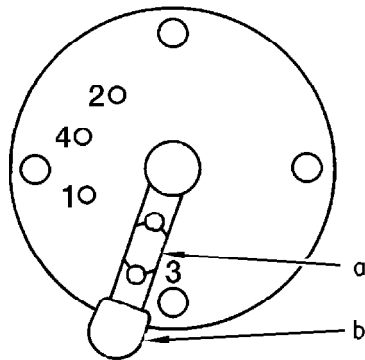


Illustration 158 g00682737

- (a) Bolt
- (b) Lever
- (1) MHI machine control pattern
- (2) KOB machine control pattern
- (3) SAE machine control pattern
- (4) Former SCM machine control pattern

1. Loosen bolt (a) and move lever (b) to the desired position. The lever can be moved to position (1), (2), (3), or (4).

Position (1) will change the machine control pattern to the MHI system. Position (2) will change the machine control pattern to the KOB system. Position (3) will change the machine control pattern to the SAE pattern. Position (4) will change the machine control pattern to the former SCM pattern.

2. After the pattern is set, tighten the bolt in order to secure the lever.

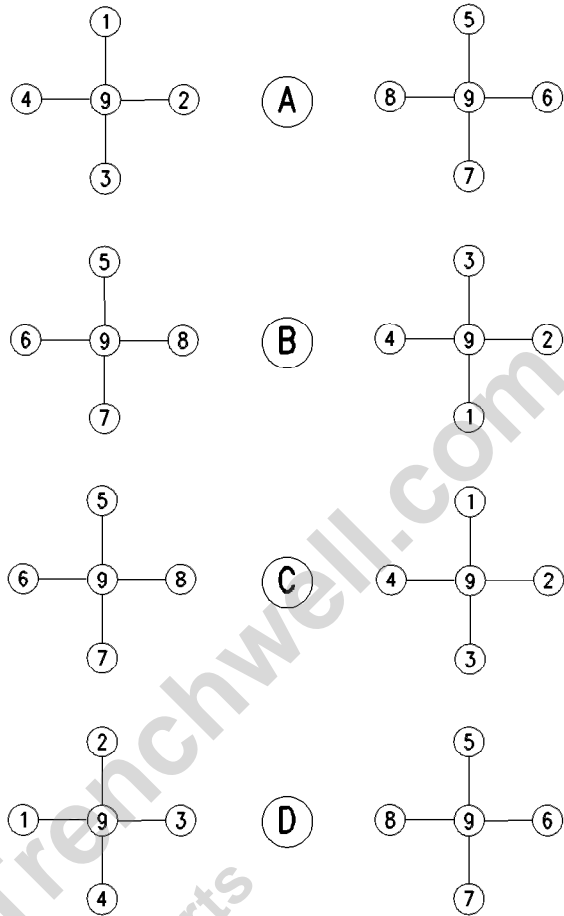


Illustration 159 g00102959

- (A) SAE machine control pattern
- (B) MHI machine control pattern
- (C) KOB machine control pattern
- (D) Former SCM machine control pattern

The patterns on the left side of the illustration show the possible configurations for the left control lever. The patterns on the right side of the illustration show the possible configurations for the right control lever.



STICK OUT (1) – Move the control lever to this position in order to move the stick outward.



SWING RIGHT (2) – Move the control lever to this position in order to swing the upper structure to the right.



STICK IN (3) – Move the control lever to this position in order to move the stick inward.



SWING LEFT (4) – Move the control lever to this position in order to swing the upper structure to the left.



BOOM LOWER (5) – Move the control lever to this position in order to lower the boom.



BUCKET DUMP (6) – Move the control lever to this position in order to dump the bucket.



BOOM RAISE (7) – Move the control lever to this position in order to raise the boom.



BUCKET CLOSE (8) – Move the control lever to this position in order to close the bucket.

HOLD (9) – When the control lever is released from any position, the control lever will return to the HOLD position. Movement of the upper structure will stop.

Two functions may be performed at the same time by moving a control lever diagonally.

If the machine is equipped with a hydraulic hammer, the function of position (6) and of position (8) is different.

HYDRAULIC HAMMER RAISE (6) – Move the control lever to this position in order to raise the hydraulic hammer.

HYDRAULIC HAMMER LOWER (8) – Move the control lever to this position in order to lower the hydraulic hammer.

Changing Machine Control Pattern by Two-Way Valve (If Equipped)

WARNING

Whenever a change is made to the machine control pattern, also exchange the pattern card in the cab to match the new pattern.

Check the machine control pattern for conformance to the pattern on the card in the cab. If the pattern does not match, change the card to match the machine control pattern before you operate the machine. Failure to do so could result in personal injury.

The machine control pattern can easily be changed to the SAE system or to the standard backhoe loader hydraulic system (BHL) by changing the position of the two-way valve (if equipped). Use the following procedure to change the position of the two-way valve.

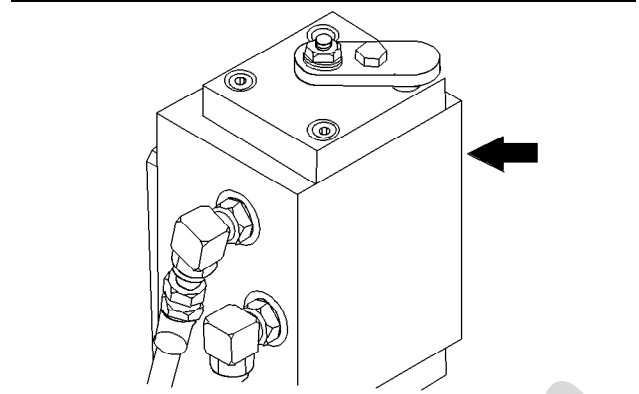


Illustration 160

g00102962

The two-way valve is located in the front of the radiator.

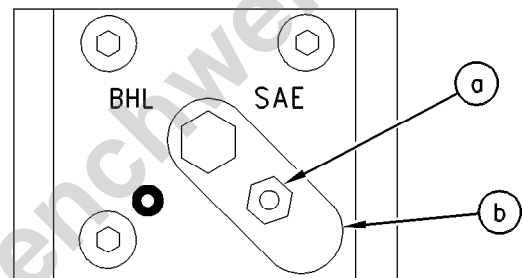


Illustration 161

g00104103

(a) Bolt
(b) Lever

1. Loosen bolt (a) and move lever (b) to the SAE position or to the BHL position.

Note: Illustration 161 shows that the two-way valve is in the SAE position.

2. After you set the machine control pattern, tighten bolt (a) in order to secure lever (b).

Operation Section
Joystick Controls Alternate Patterns

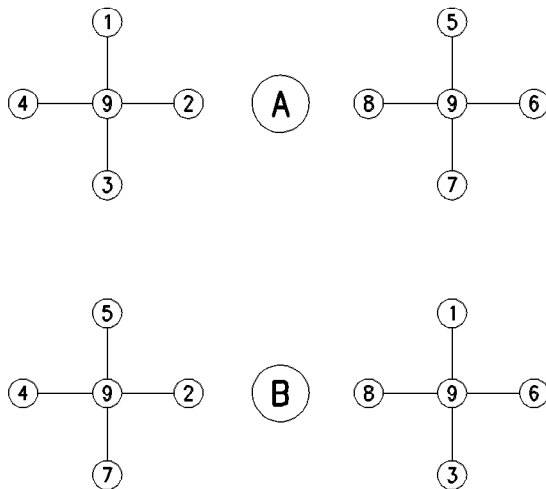


Illustration 162

g00102966

(A) SAE machine control pattern

(B) BHL machine control pattern for standard backhoe

The patterns on the left side of the illustration show the possible configurations for the left control lever. The patterns on the right side of the illustration show the possible configurations for the right control lever.



STICK OUT (1) – Move the control lever to this position in order to move the stick outward.



SWING RIGHT (2) – Move the control lever to this position in order to swing the upper structure to the right.



STICK IN (3) – Move the control lever to this position in order to move the stick inward.



SWING LEFT (4) – Move the control lever to this position in order to swing the upper structure to the left.



BOOM LOWER (5) – Move the control lever to this position in order to lower the boom.



BUCKET DUMP (6) – Move the control lever to this position in order to dump the bucket.



BOOM RAISE (7) – Move the control lever to this position in order to raise the boom.



BUCKET CLOSE (8) – Move the control lever to this position in order to close the bucket.

HOLD (9) – When the control lever is released from any position, the control lever will return to the HOLD position. Movement of the upper structure will stop.

Two functions may be performed at the same time by moving a control lever diagonally.

If the machine is equipped with a hydraulic hammer, the function of position (6) and of position (8) is different.

HYDRAULIC HAMMER RAISE (6) – Move the control lever to this position in order to raise the hydraulic hammer.

HYDRAULIC HAMMER LOWER (8) – Move the control lever to this position in order to lower the hydraulic hammer.

i03924334

Joystick Controls Alternate Patterns

SMCS Code: 5059; 5137

Changing Machine Control Pattern By Four-Way Valve (If Equipped)

WARNING

Whenever a change is made to the machine control pattern, also exchange the pattern card in the cab to match the new pattern.

Check the machine control pattern for conformance to the pattern on the card in the cab. If the pattern does not match, change the card to match the machine control pattern before you operate the machine. Failure to do so could result in personal injury.

If the machine is equipped with a four-way valve, the machine control pattern can easily be changed. The machine control pattern can be changed to the SAE system, MHI system, KOB system, or the former SCM system by changing the valve position. To change the four-way valve position, use the following procedure.

The four-way valve (if equipped) is located in front of the radiator.

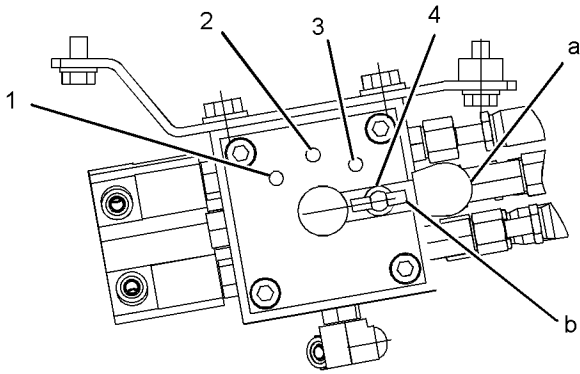


Illustration 163

g02042133

- (a) Lever
- (b) Bolt
- (1) MHI machine control pattern
- (2) CJL machine control pattern
- (3) KOB machine control pattern
- (4) SAE machine control pattern

1. Loosen bolt (a) and move lever (b) to the desired position. The lever can be moved to position (1), (2), (3), or (4).

Position (1) will change the machine control pattern to the MHI system. Position (2) will change the machine control pattern to the CJL pattern. Position (3) will change the machine control pattern to the KOB system. Position (4) will change the machine control pattern to the SAE pattern.

2. After the pattern is set, tighten the bolt in order to secure the lever.

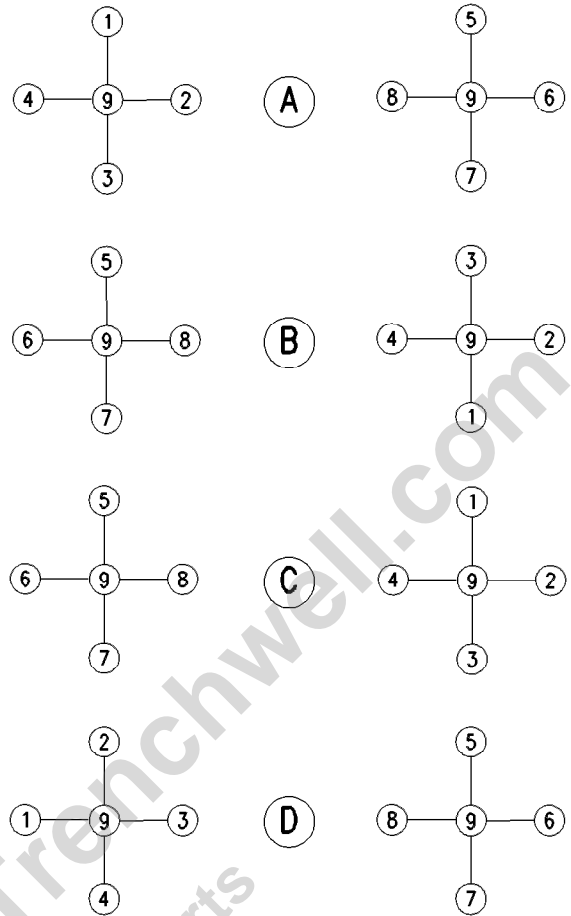


Illustration 164

g00102959

- (A) SAE machine control pattern
- (B) MHI machine control pattern
- (C) KOB machine control pattern
- (D) Former SCM machine control pattern

The patterns on the left side of the illustration show the possible configurations for the left control lever. The patterns on the right side of the illustration show the possible configurations for the right control lever.



STICK OUT (1) – Move the control lever to this position in order to move the stick outward.



SWING RIGHT (2) – Move the control lever to this position in order to swing the upper structure to the right.



STICK IN (3) – Move the control lever to this position in order to move the stick inward.



SWING LEFT (4) – Move the control lever to this position in order to swing the upper structure to the left.



BOOM LOWER (5) – Move the control lever to this position in order to lower the boom.



BUCKET DUMP (6) – Move the control lever to this position in order to dump the bucket.



BOOM RAISE (7) – Move the control lever to this position in order to raise the boom.



BUCKET CLOSE (8) – Move the control lever to this position in order to close the bucket.

HOLD (9) – When the control lever is released from any position, the control lever will return to the HOLD position. Movement of the upper structure will stop.

Two functions may be performed at the same time by moving a control lever diagonally.

If the machine is equipped with a hydraulic hammer, the function of position (6) and of position (8) is different.

HYDRAULIC HAMMER RAISE (6) – Move the control lever to this position in order to raise the hydraulic hammer.

HYDRAULIC HAMMER LOWER (8) – Move the control lever to this position in order to lower the hydraulic hammer.

Changing Machine Control Pattern by Two-Way Valve (If Equipped)

WARNING

Whenever a change is made to the machine control pattern, also exchange the pattern card in the cab to match the new pattern.

Check the machine control pattern for conformance to the pattern on the card in the cab. If the pattern does not match, change the card to match the machine control pattern before you operate the machine. Failure to do so could result in personal injury.

The machine control pattern can be changed to the SAE system by changing the position of the two-way valve (if equipped). The machine control pattern can also be changed to the standard backhoe loader hydraulic system (BHL) by changing the valve position. Use the following procedure to change the position of the two-way valve.

The two-way valve is located in front of the radiator.

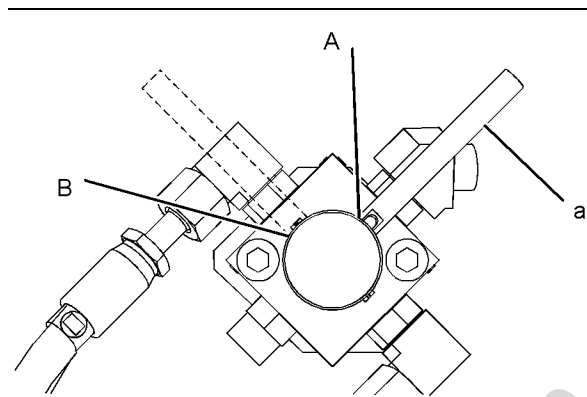


Illustration 165

g02042557

(a) Lever
(A) SAE machine control pattern
(B) BHL machine control pattern

1. Pull up on lever (a) and turn the lever to the SAE position or to the BHL position.

Note: Illustration 165 shows that the two-way valve is in the SAE position.

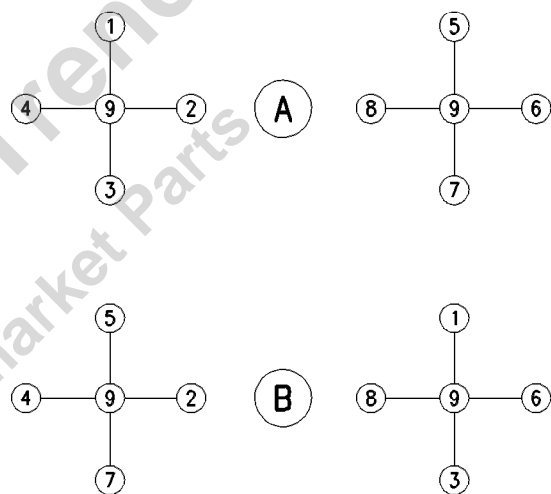


Illustration 166

g00102966

(A) SAE machine control pattern
(B) BHL machine control pattern for standard backhoe

The patterns on the left side of the illustration show the possible configurations for the left control lever. The patterns on the right side of the illustration show the possible configurations for the right control lever.



STICK OUT (1) – Move the control lever to this position in order to move the stick outward.



SWING RIGHT (2) – Move the control lever to this position in order to swing the upper structure to the right.



STICK IN (3) – Move the control lever to this position in order to move the stick inward.



SWING LEFT (4) – Move the control lever to this position in order to swing the upper structure to the left.



BOOM LOWER (5) – Move the control lever to this position in order to lower the boom.



BUCKET DUMP (6) – Move the control lever to this position in order to dump the bucket.



BOOM RAISE (7) – Move the control lever to this position in order to raise the boom.



BUCKET CLOSE (8) – Move the control lever to this position in order to close the bucket.

HOLD (9) – When the control lever is released from any position, the control lever will return to the HOLD position. Movement of the upper structure will stop.

Two functions may be performed at the same time by moving a control lever diagonally.

If the machine is equipped with a hydraulic hammer, the function of position (6) and of position (8) is different.

HYDRAULIC HAMMER RAISE (6) – Move the control lever to this position in order to raise the hydraulic hammer.

HYDRAULIC HAMMER LOWER (8) – Move the control lever to this position in order to lower the hydraulic hammer.

i06089585

Fuel Tank Shutoff and Drain Control

SMCS Code: 1273

The fuel tank drain valve is located under the main hydraulic pump. The fuel shutoff valve is located underneath the fuel tank.

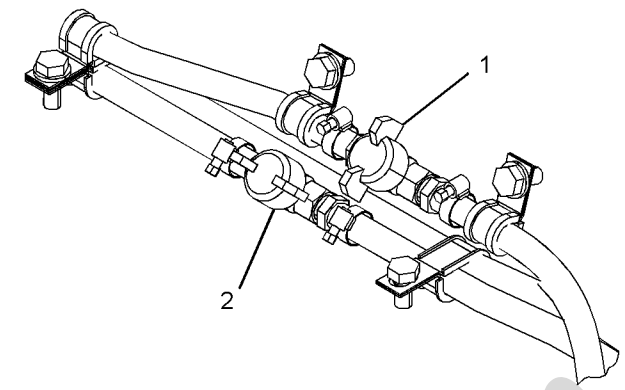


Illustration 167

g03803783

- (1) Fuel Tank Drain Valve
- (2) Fuel shutoff valve

Fuel Tank Drain Valve (1) – To drain the water and sediment from the fuel tank, turn the fuel drain valve counterclockwise. To close the fuel tank drain valve, turn the drain valve clockwise.

Fuel Shutoff Valve (2) – To shut off the fuel supply, turn the fuel shutoff valve clockwise. To turn on the fuel supply, turn the fuel shutoff valve counterclockwise.

Note: For more detailed information that pertains to draining the water and sediment from the fuel tank, refer to Operation and Maintenance Manual, “Fuel Tank Water and Sediment - Drain”.

Engine Starting

i04947338

Engine Starting

SMCS Code: 1000; 1090; 1456; 7000

WARNING

Explosion hazard! This machine is equipped with an air inlet heater. Do not spray aerosol starting aids such as ether manually into the intake. The use of ether without an ether attachment could result in an explosion or fires that could cause personal injury or death.

NOTICE

The engine start switch must be in the ON position and the engine must be running in order to maintain electrical functions and hydraulic functions. This procedure must be followed in order to prevent serious machine damage.

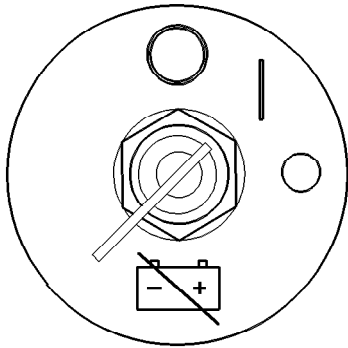


Illustration 168

g00406959

1. Turn the battery disconnect switch to the ON position.
2. Make sure that the reset button for the circuit breaker remains depressed. Refer to Operation and Maintenance Manual, "Circuit Breakers - Reset".

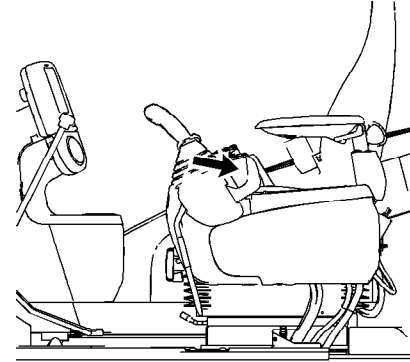


Illustration 169

g01075262

3. Move the hydraulic lockout control to the LOCKED position.

This machine is equipped with an engine neutral start system. The system only allows the engine to start when the lever for the hydraulic lockout control is in the LOCKED position.

4. Move the joysticks to the HOLD position.
5. Before you start the engine, check for the presence of bystanders or maintenance personnel. Ensure that all personnel are clear of the machine. Briefly sound the horn before you start the engine.

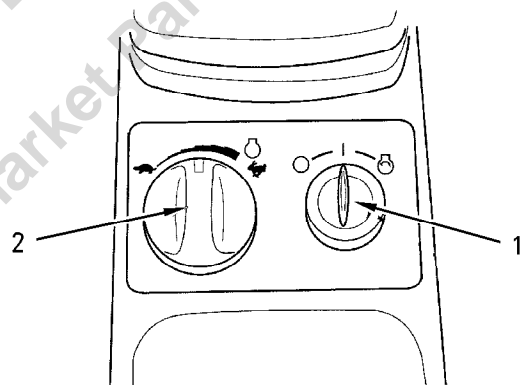


Illustration 170

g00682776

- (1) Engine start switch
(2) Engine speed dial

6. Turn engine start switch (1) to the ON position.
7. The monitoring system starts.

Note: For more information on the monitoring system, refer to Operation and Maintenance Manual, "Monitoring System".

8. If the engine start switch is held in the ON position for two seconds or more, the prestart check of the monitoring system will be activated. If any fluid levels are low, the low fluid level will be shown on the message display. Refer to Operation and Maintenance Manual, "Monitoring System" for more information on the prestart monitoring function.

If the fluid level is too low, add the corresponding fluid to the specified level. Add the fluid before you start the engine.

9. Make sure that "INTAKE AIR HEATER ON" is not shown on the message display. If this message is shown on the message display, the temperature of the engine coolant is too low, and the engine cannot start correctly. **If "INTAKE AIR HEATER ON" is shown on the message display, the intake air heater has activated. While the intake air heater is being activated, wait until the message "INTAKE AIR HEATER ON" is no longer visible on the message display.**

Note: Do not start the engine at this time.

10. Turn engine speed dial (2) to speed position "1" .

NOTICE

Do not crank the engine for more than 30 seconds. If the engine does not start, allow the starter to cool for two minutes before cranking again. The engine start switch must be turned to the OFF position before trying to restart.

11. Turn engine start switch (1) to the START position.

12. Release the engine start switch key after the engine starts.

This machine's engine with standard specifications can start in areas that have temperatures as low as -18°C (0°F). For areas that are cooler, a starting kit for cold weather is available.

i03545993

Engine and Machine Warm-Up

SMCS Code: 1000; 7000

S/N: A6F1–Up

S/N: A8F1–Up

S/N: A9F1–Up

S/N: KGF1–Up

S/N: KTF1–Up

S/N: MCH1–Up

S/N: TDH1–Up

S/N: FAL1–Up

S/N: KLM1–Up

S/N: PCM1–Up

S/N: KHN1–Up

S/N: SPN1–Up

S/N: WBN1–Up

S/N: BZP1–Up

S/N: GDP1–Up

S/N: PCX1–Up

S/N: PHX1–Up

NOTICE

Keep the engine speed slow until the indicator light for the engine oil pressure goes out.

If the light does not go out within ten seconds, stop the engine and investigate the cause before starting the engine again. Failure to correct the problem can cause engine damage.

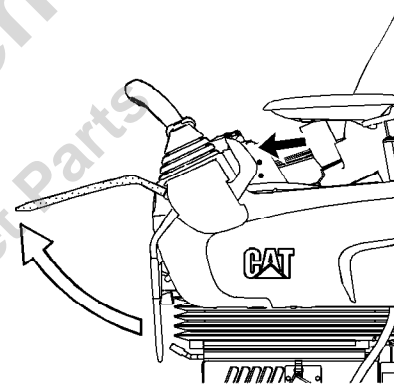


Illustration 171

g01077703

Note: The hydraulic lockout control must be in the UNLOCKED position before the hydraulic controls will function.

1. Allow the engine to warm up at low idle for at least five minutes. Engage the joystick controls and disengage the joystick controls. This will speed up the warm-up of the hydraulic components.

When you idle the machine for warm-up, observe the following recommendations:

- If the temperature is greater than 0°C (32°F), warm up the engine for approximately 15 minutes.

Operation Section
Engine and Machine Warm-Up

- If the temperature is less than 0°C (32°F), warm up the engine for approximately 30 minutes.
- If the temperature is less than – 18°C (0°F) or if hydraulic functions are sluggish, additional time may be required.

2. To warm up the hydraulic oil, turn the engine speed dial to the medium engine speed. Run the engine for approximately five minutes and move the joystick intermittently from the BUCKET DUMP position to the HOLD position. Do not hold the joystick in the BUCKET DUMP position with the bucket cylinder fully extended for more than 10 seconds.

3. Turn the engine speed dial to the maximum engine speed and repeat Step 2.

This allows the oil to attain relief pressure, which causes the oil to warm up more rapidly.

4. Cycle all controls in order to circulate warm oil through all hydraulic cylinders and all hydraulic lines, and through the swing motor and travel motors.

WARNING

When you cycle the machine controls, the machine can move suddenly. Contact between the machine and external objects or ground personnel can result in serious injury or death. Before you cycle the machine controls, the machine should be located in an unobstructed, hazard-free work area that is away from external objects and ground personnel.

5. Observe the gauges and the indicators frequently during the operation.

i07011934

Engine and Machine Warm-Up

SMCS Code: 1000; 7000

S/N: JPD1-Up

NOTICE

Keep engine speed low and do not operate until the message "Warm-Up Mode Power Derate" on the monitor goes out. If it does not go out within thirty seconds, stop the engine and investigate the cause before starting again. Failure to do so, can cause engine damage.

NOTICE

Always run the engine at low idle for at least ten minutes before performing any other operations in cold conditions or each time the engine oil and oil filter are changed in order to protect your engine and hydraulic components.

NOTICE

Depending on the ambient temperature, in order to prevent the machine operation with high speed without sufficient lubrication at the turbo bearing, the engine speed may be set to low speed and the hydraulic power minimized for a pre-determined time after the engine starts. Refer to turbo protection feature.

The engine may automatically change speeds when the machine is stationary and idling in cold ambient temperature for an extended time.

Hydraulic System

WARNING

When you cycle the machine controls, the machine can move suddenly. Contact between the machine and external objects or ground personnel can result in serious injury or death. Before you cycle the machine controls, the machine should be located in an unobstructed, hazard-free work area that is away from external objects and ground personnel.

1. Make sure that the area is clear of personnel and equipment.

Note: The hydraulic lockout control must be in the UNLOCKED position before the hydraulic controls will function.

2. Allow the engine to warmup at low idle for at least 5 minutes. Engage the work tool controls and disengage the work tool controls. This will speed up the warmup of the hydraulic components.

When you idle the machine for warmup, observe the following recommendations:

- If the temperature is greater than 0°C (32°F), warm up the engine for approximately 15 minutes.
- If the temperature is less than 0°C (32°F), warm up the engine for approximately 30 minutes.
- If the temperature is less than – 18°C (0°F) or if hydraulic functions are sluggish, additional time may be required.

NOTICE

The hydraulic oil temperature should be higher than 25 °C (77 °F) before performing work with the machine. Make sure that the warm-up procedure is performed.

If the hydraulic oil temperature is less than 25 °C (77 °F) and the machine is operated abruptly, serious damage to the hydraulic components may occur.

Note: The recommended operating temperature of the hydraulic fluid for this machine is 55 °C (131 °F).

3. To warmup the hydraulic oil, turn the engine speed dial to the medium engine speed.
4. Run the engine for approximately 5 minutes and move the joystick intermittently from the BUCKET DUMP position to the HOLD position. Do not hold the joystick in the BUCKET DUMP position with the bucket cylinder fully extended for more than 10 seconds.

This allows the oil to attain relief pressure, which causes the oil to warmup more rapidly.

5. Turn the engine speed dial to the maximum engine speed and repeat Step 4.
6. Cycle all controls to circulate warm oil through all hydraulic cylinders and all hydraulic lines, and through the swing motor and travel motors.
7. Observe the gauges and the indicators frequently during the operation.

Turbo Protection



Turbo Protection Power Derate – After an engine start, the engine speed will be set to low speed and the hydraulic power limited for a time period . During this period, the monitor displays the message "Warm-Up Mode Power Derate". (Maximum is around 30 seconds). After the turbo bearing lubrication is sufficient, the engine speed goes to the setting dial speed and the monitor stops to display the message.

Operation

i03933151

Operation Information

SMCS Code: 7000

Note: Operating Temperature Range for the Machine The machine must function satisfactorily in the anticipated ambient temperature limits that are encountered during operation. The standard machine configuration is intended for use within an ambient temperature range of -18°C (0°F) to 43°C (109°F). Special configurations for different ambient temperatures may be available. Consult your Caterpillar dealer for additional information on special configurations of your machine.

Make sure that no personnel are on the machine or near the machine in order to prevent any personal injury. Keep the machine under control at all times in order to prevent injury.

Reduce the engine speed when you maneuver the machine in tight quarters and when you drive over an incline.

Select the necessary travel speed range before you drive downgrade. Do not change the travel speed range while you drive downhill.

Use the same travel speed on a downgrade and on an upgrade.

When you travel for any distance, keep the stick inward and carry the boom in a low position.

When you drive up a steep grade, keep the boom as close to the ground as possible.

When you travel uphill or you travel downhill, keep the boom on the uphill side of the machine.

1. Adjust the operator seat.
2. Fasten the seat belt.

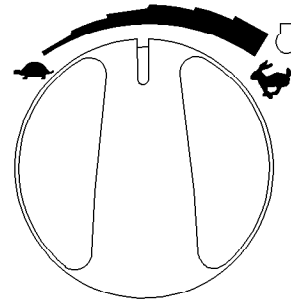


Illustration 172

g00732198

3. Turn the engine speed dial to the operating range.
4. Move the hydraulic lockout control to the UNLOCKED position.

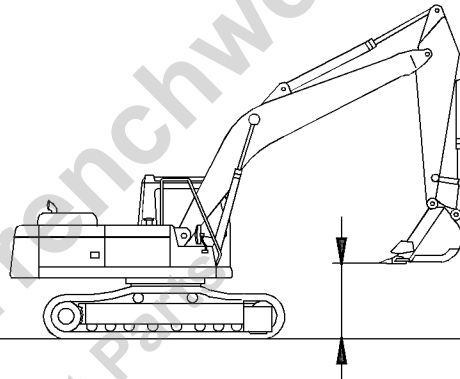


Illustration 173

g02154513

5. Raise the boom enough in order to provide sufficient ground clearance.

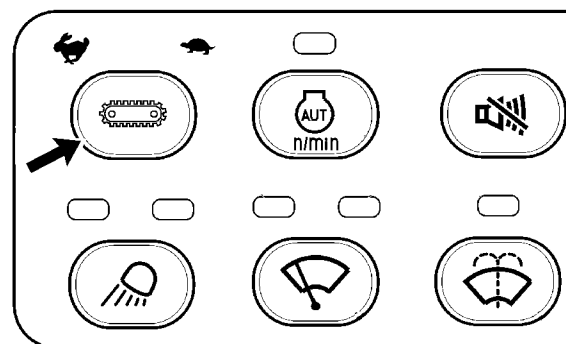


Illustration 174

g01113024

6. Select the desired travel speed by operating the travel speed control switch.

7. Make sure that the position of the upper structure and of the undercarriage is known before you move the machine. The drive sprockets should be at the rear of the machine.

Note: The directional steering controls will operate normally if the drive sprockets are at the rear of the machine. The idlers should be at the front of the machine and under the cab. When the sprockets are under the cab, the travel controls will operate backward.

8. Turn the engine speed dial in order to increase the engine speed (rpm) to the desired speed.
9. Push both travel levers forward at the same time in order to travel forward. If both travel levers are pushed farther, the travel speed at the selected engine speed (rpm) will be faster.

Note: If the machine does not operate or if the machine does not travel in a straight line, consult your Caterpillar dealer.

10. See Operation and Maintenance Manual, "Operator Controls" for information about spot turning and about pivot turns.
11. When you make turns in soft material, travel in a forward direction occasionally in order to clear the tracks.
12. Slowly move both of the travel levers or both of the travel pedals to the CENTER position in order to stop the machine.

Lifting Objects

If the machine is equipped with the CE plate per requirements for the European Union, used to lift objects, then the machine must be equipped with the optional boom lowering control valve and an overload warning device.

A fit for purpose test was completed in order to confirm that a properly equipped machine meets the requirements of the European Union Machinery Directive "2006/42/EC" for lifting objects.

The overload warning device (if equipped) must be adjusted for the bucket linkage and bucket size that is installed on the machine. Adjust the overload warning device for proper operation.

The setting for the overload warning device (if equipped) should be checked by an authorized dealer.

i00059294

Frozen Ground Conditions

SMCS Code: 7000

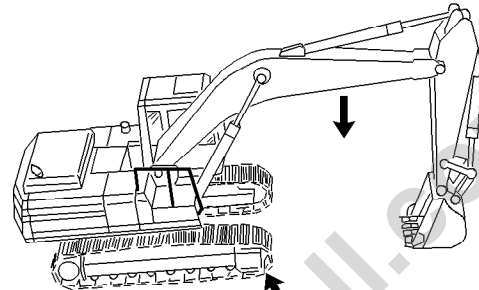


Illustration 175

g00101468

To free the tracks from frozen ground, swing the boom to the front of the machine. Use boom down pressure to free the idler end of the machine.

Swing the boom to the rear of the machine. Use boom down pressure to free the sprocket end of the machine.

i02825193

Equipment Lowering with Engine Stopped

SMCS Code: 7000

To lower the boom, place the hydraulic lockout lever in the UNLOCKED position. Move the joystick to the BOOM LOWER position. If the accumulator is still charged, the boom will lower.

If the boom does not lower, the accumulator is empty. Use one of the following methods to lower the boom.

Machine without a Boom Lowering Control Valve

WARNING

Be sure no one is under or near the work tools before manually lowering the boom. Keep all personnel away from the boom drop area when lowering the boom with the engine stopped in order to avoid possible personal injury.

Operation Section
Equipment Lowering with Engine Stopped

When you must manually lower the boom due to engine shutdown, use the following procedure.

Relieve the pressure in the hydraulic system before manually lowering the boom. Move the hydraulic lockout lever to the UNLOCKED position. Move the travel levers/pedals forward and backward in order to relieve the pressure.

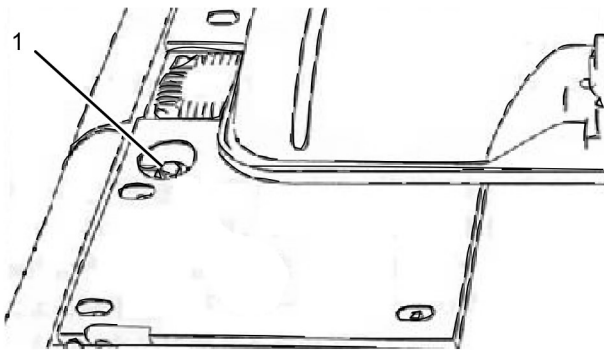


Illustration 176

g01220939

(1) Fill/vent plug

1. Slowly loosen fill/vent plug (1) on the top of the hydraulic tank until internal pressure in the hydraulic tank has been completely relieved. Remove fill/vent plug (1).
2. Open the engine hood.

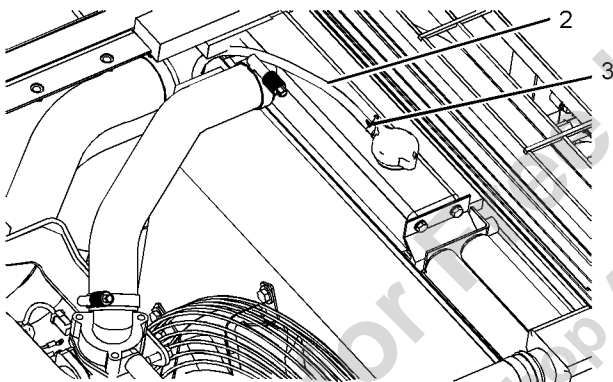


Illustration 177

g01220929

(2) Hose
(3) Clamp

3. Loosen clamp (3) and disconnect hose (2) from the radiator.

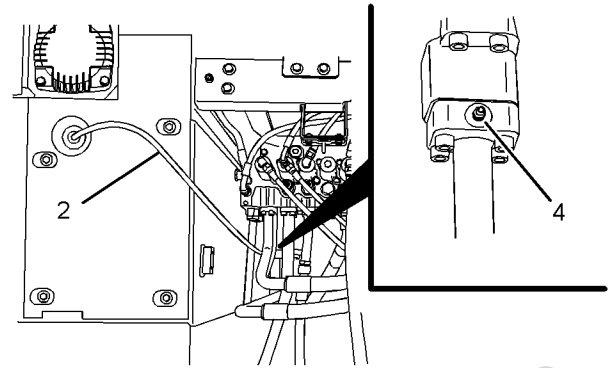


Illustration 178

g01408999

(2) Hose
(4) Screw

4. Connect an end of hose (2) to screw (4). Put the other end of hose (2) into the filler plug opening.
5. Slowly loosen screw (4) by a maximum of 1/2 turn. This allows the hydraulic oil in the boom circuit to drain into the hydraulic tank. The boom will now start to lower.
6. Make sure that the work tool has lowered all the way to the ground. Tighten screw (4) to a torque of $13 \pm 2 \text{ N}\cdot\text{m}$ ($9 \pm 1 \text{ lb ft}$).
7. Disconnect hose (2) from screw (4). Do not allow the oil that is contained in hose (5) to spill. Drain the oil into a suitable container.
8. Connect hose (2) to the original position on the radiator and install fill/vent plug (1) securely.
9. Close the engine hood.

After completion of the manual boom lowering, make necessary repairs before you operate the machine again.

Machine with a Boom Lowering Control Valve

! WARNING

Boom load may cause cylinder oil pressure to reach relief pressure of the boom lowering control device when the boom is supported by one cylinder. Boom can lower suddenly, causing possible injury or death.

To avoid possible injury or death, be sure no one is under or near the work tool before manually lowering the boom.

Keep all personnel away from the boom drop area when lowering the boom with the engine stopped.

If the engine is shut down or the hydraulic system is disabled, the operator can still lower the boom. Use the following procedure if the machine is equipped with a boom lowering control valve.

2. Slowly turn check valve (6) counterclockwise until the check valve stops. The boom will lower to the ground.
3. Make sure that the work tool has been completely lowered onto the ground. Tighten check valve (6).
4. Tighten locknut (5) to a torque of 2.25 ± 0.25 N·m (1.66 ± 0.18 lb ft).
5. Before operating the machine, make any necessary repairs.

For additional information, consult your Caterpillar dealer.

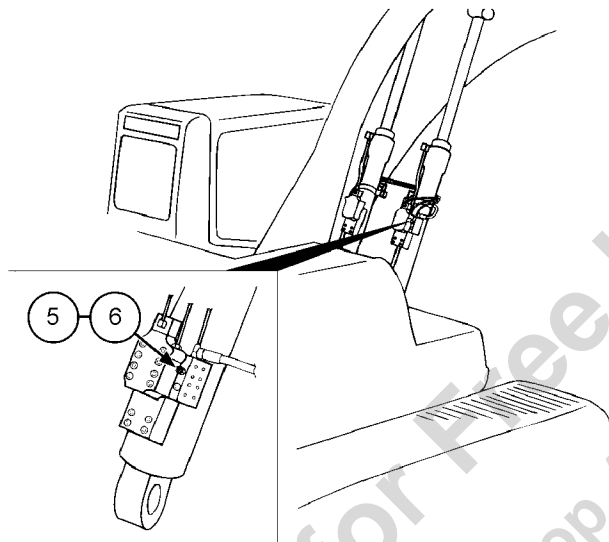


Illustration 179

g01221008

- (5) Locknut
(6) Check valve

The boom lowering control valve (if equipped) is installed on each of the boom cylinders. The boom lowering control valve allows the operator to manually lower the boom if the engine is stopped. The boom lowering control valve also prevents the sudden descent of the boom if there is an oil leak in the hydraulic line of the boom.

1. Loosen locknut (5) of the boom lowering check valve.

Operating Techniques

i05125989

Operating Technique Information

SMCS Code: 7000

WARNING

Know the maximum height and the maximum reach of your machine. Serious injury or death by electrocution can occur if the machine or the work tools are not kept a safe distance from electrical power lines. Keep a distance of at least 3000 mm (118 inch) plus an additional 10 mm (0.4 inch) for each 1000 volts over 50000 volts.

For safety, one of the following may require a greater distance:

- Local codes
- State codes
- Requirements of the job site

NOTICE

When swinging into a ditch, do not use the ditch to stop the swinging motion. Inspect the machine for damage if the boom is swung into a bank or an object.

Repeated stopping by an object can cause structural damage if the boom is swung into a bank or an object.

With certain boom-stick-bucket combinations, the bucket or worktool can hit the cab and/or the front structure of the machine. Always check for interference when first operating a new bucket or a new work tool. Keep the bucket or work tool away from the cab and away from the front structure during operation.

Whenever the tracks of the machine raise off the ground while digging, lower the machine back to the ground smoothly. **DO NOT DROP OR CATCH IT WITH THE HYDRAULICS.** Damage to the machine can result.

With certain combinations of work tools, the third pedal can have different functions. Always check the function of the third pedal before you use the third pedal.

Know the location of any buried cables. Mark the locations clearly before you dig.

Consult your Caterpillar dealer for special work tool tips that are available for use in severe applications.

Move the machine whenever the position for operating the machine is not efficient. The machine can be moved forward or backward during the operating cycle.

When you operate the machine in close places, utilize the bucket or the other work tool in order to perform the following functions:

- Pushing the machine
- Pulling the machine
- Lifting the tracks

Use a comfortable travel speed while you operate the machine.

Operating efficiency can be increased by using more than one machine control to perform a task.

Never swing a load over a truck cab or workers.

Position the truck so that material can be loaded from the rear of the truck or from the side of the truck. Load the truck evenly so that the rear axles are not overloaded.

An oversize bucket or a bucket that is equipped with side cutters should not be used in rocky material. These types of buckets slow down the cycle. Damage to the bucket and to other machine components could result.

Restricted Operation

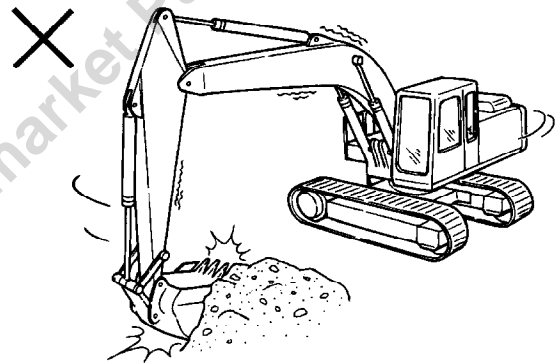


Illustration 180

g00529436

Do not use the swing force to perform the following operations:

- Soil compaction
- Ground breaking
- Demolition

Do not swing the machine while the bucket tips are in the soil.

These operations will damage the boom, the stick, and the work tool and the operations will reduce the life of the equipment.

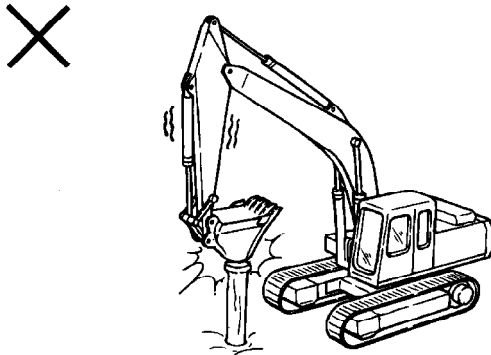


Illustration 181

g00529457

Do not use the dropping force of the bucket or work tool as a hammer. This will bring excessive force on the rear of the machine. Possible damage to the machine could result.

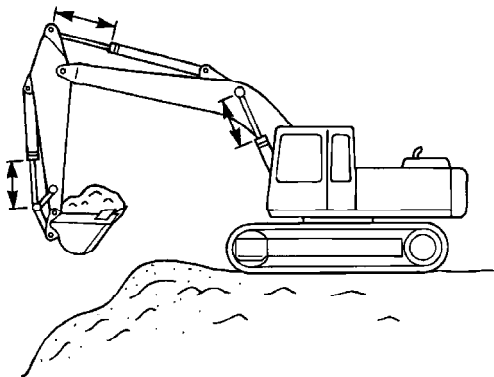


Illustration 182

g00529458

If the cylinder is operated at the end of the stroke during operations, excessive force will occur on the stopper on the inside of the cylinder. This will reduce the life of the cylinder and structures. To avoid this problem, always leave a small margin of play when the cylinder is operated.

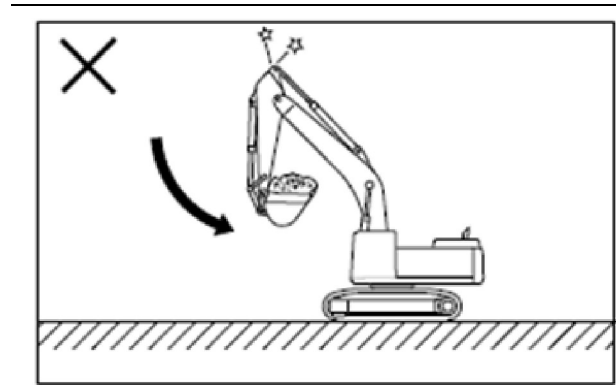


Illustration 183

g03286378

If the stick IN function is operated at full speed with a fully loaded bucket or heavy work tool attachment to the end of the cylinder stroke, excessive force will occur inside the stick cylinder. This action will reduce the life of the stick cylinder. To avoid this problem, always operate a stick IN function with moderate speed towards the end of cylinder stroke.

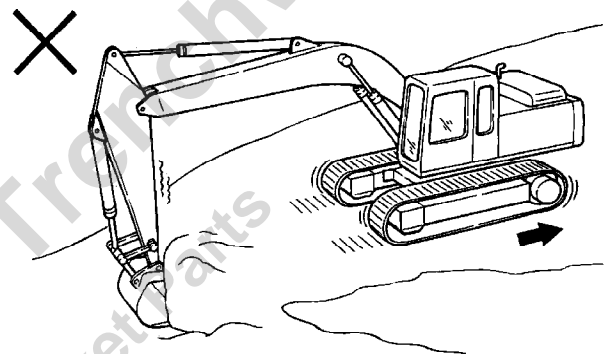


Illustration 184

g00529459

While the bucket is in the ground, do not use the travel force for any excavation. This operation will cause excessive force on the rear of the machine.

Provided for use by Trencher.com
Shop Aftermarketparts

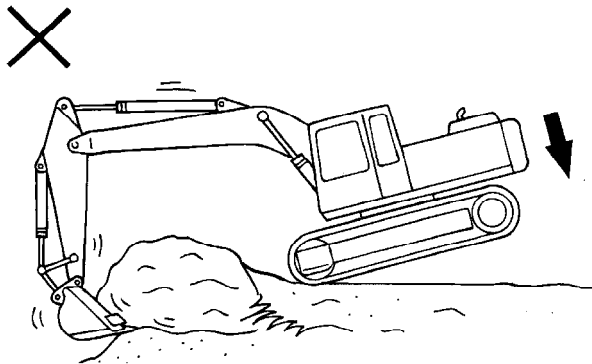


Illustration 185

g00529460

Do not use the dropping force of the rear of the machine for excavation. This operation will damage the machine.

Operating Precaution

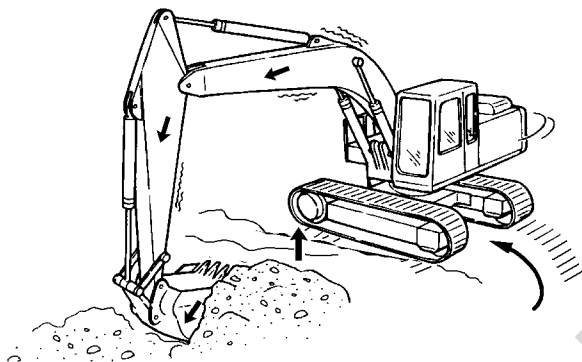


Illustration 186

g01250228

NOTICE

Do not allow the machine to swing from the force of traveling when you use the bucket, the stick, or the boom to assist in travel. If the force from traveling causes the machine to swing, damage may occur to the swing motor and to the swing drive.

Do not use the force of the bucket, the stick, or the boom to assist in turning the machine while the machine is traveling. This technique is referred to as "jump steering". This technique will damage the swing motor and the swing brake.

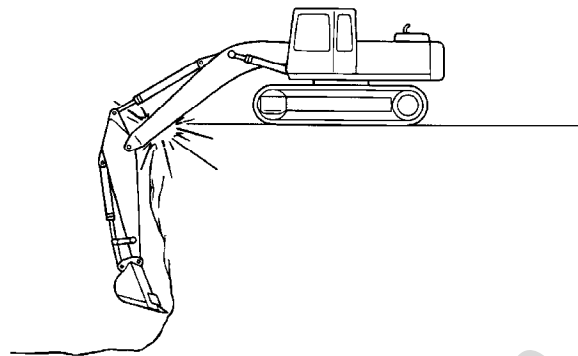


Illustration 187

g00529462

When deep holes are dug, do not lower the boom so that the bottom side of the boom touches the ground.

When deep holes are dug, do not allow the boom to interfere with the tracks.

i05032265

Travel in Water and Mud

SMCS Code: 7000-V6

NOTICE

When working in or around any body of water, around a stream or river, or in conditions of heavy mud, be careful that the swing bearing, the swing drive gear, and the swivel joint do not dip into water, mud, sand, or gravel. If the swing bearing dips into water, mud, sand, or gravel, immediately grease the swing bearing until the used grease leaks from the outer circle of the swing bearing. Failure to carry out this procedure may cause premature wear in the swing bearing.

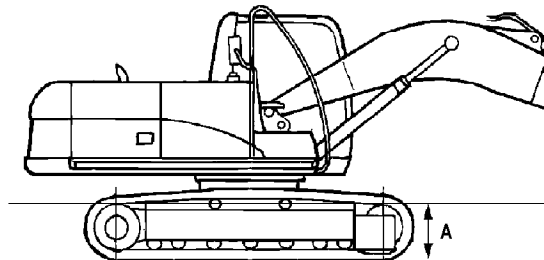


Illustration 188

g00807842

Depth of water to the center of the track carrier roller

The following guidelines pertain to travel across water and travel through mud, sand, or gravel.

The machine can travel across a river only under the following conditions:

- The bed of the river is flat.
- The flow of the river is slow.
- The machine dips into the water only to the center of the track carrier roller (dimension A).

NOTICE

Do not allow the fan on the engine to contact the water while the machine travels through the water. Do not allow the fan on the engine to contact the water during a swing while the machine is in the water. Damage to the fan may occur if the fan contacts the water.

While you cross the river, carefully confirm the depth of the water with the bucket. Do not move the machine into an area that has a water depth that is greater than Dimension A.

The machine may sink gradually on soft ground. Therefore, you should frequently check the height of the undercarriage from ground level and the depth of water on the ground.

Check the swing gear by looking through the port for inspection that is on the upper frame. If there is water in the swing gear, contact your Cat dealer for the required maintenance on the swing gear.

After you travel through water, carefully clean the machine in order to remove any salt, sand, or other foreign matter.

Procedure for Removing the Machine from Water or Mud

NOTICE

Do not allow the machine to swing from the force of traveling when you use the bucket, the stick, or the boom to assist in travel. If the force from traveling causes the machine to swing, damage may occur to the swing motor and to the swing drive.

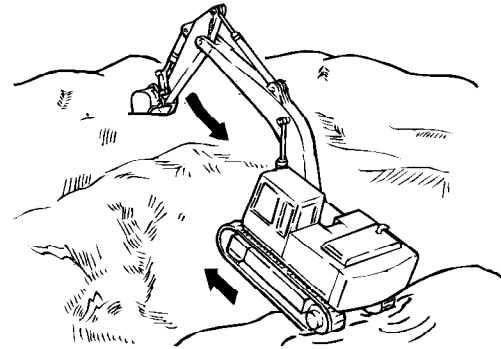


Illustration 189

g00808148

1. You may not be able to move the machine by using the travel controls only. In this case use both the travel control levers/pedals and the stick to pull the machine out of the water or ground.

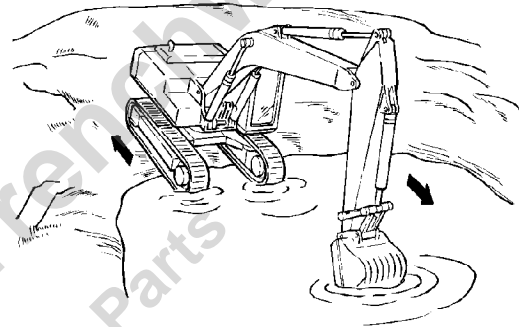


Illustration 190

g00808151

2. The machine may slip because of a steep slope. The procedure in Step 1 may not work. In this case, first rotate the upper structure by 180°. Then use both the travel control levers/pedals and the stick to move the machine up the slope.

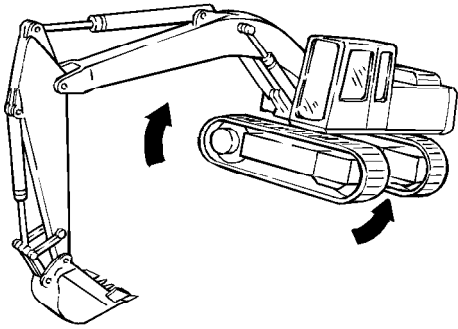


Illustration 191

g00808152

3. It may be impossible to travel because the bottom of the frame comes into contact with the ground or the undercarriage is clogged with mud or gravel. In this case, operate the boom and the stick together. Raise the track and rotate the track forward and backward in order to remove the mud and the gravel.

i05945994

Boom, Stick and Bucket Operation

SMCS Code: 7000

Digging

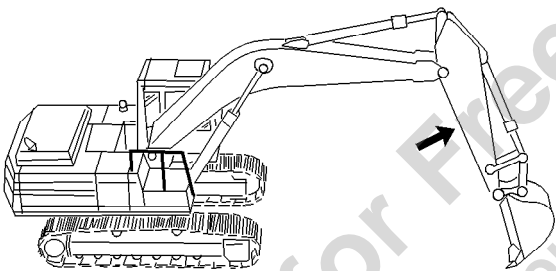


Illustration 192

g00101523

1. Position the stick at a 70 degree angle to the ground.

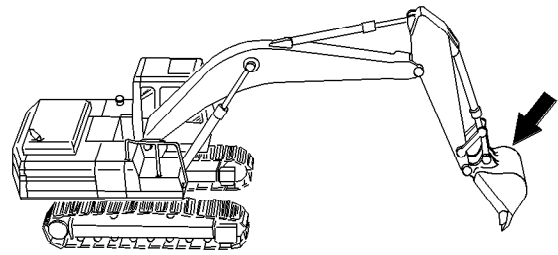


Illustration 193

g00101525

2. Position the bucket cutting edge at a 120 degree angle to the ground. Maximum breakout force can now be exerted with the bucket.

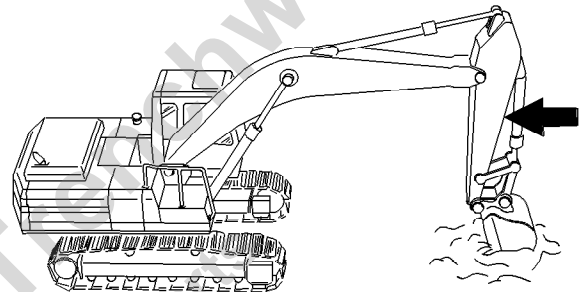


Illustration 194

g00101526

3. Move the stick toward the cab and keep the bucket parallel to the ground.

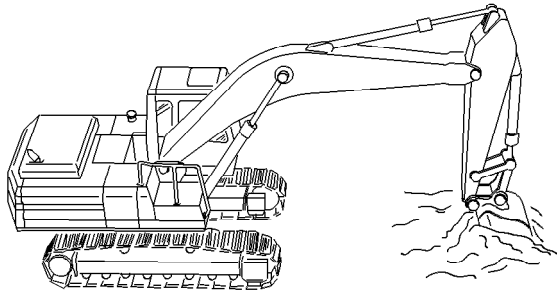


Illustration 195

g00101527

4. If the stick stops due to the load, raise the boom and/or perform a curl in order to adjust the depth of the cut.
5. To apply the greatest force at the cutting edge, decrease the down pressure as you move the stick toward the cab.
6. Maintain a bucket attitude that ensures a continuous flow of material into the bucket.
7. Continue the pass in a horizontal direction so that material peels into the bucket.

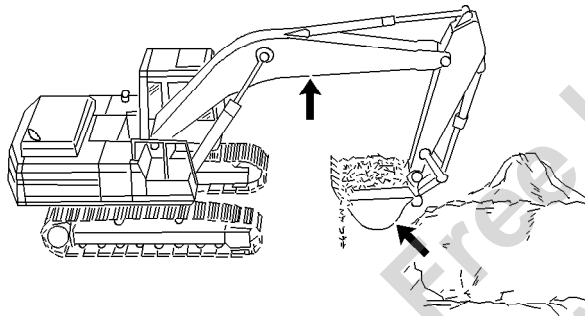


Illustration 196

g00101528

8. Close the bucket and raise the boom when the pass has been completed.

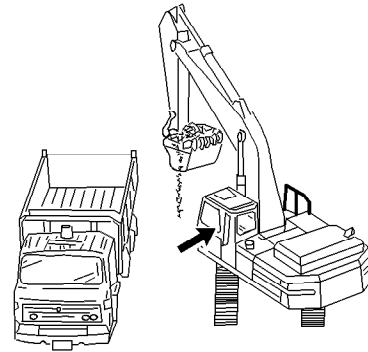


Illustration 197

g00101529

9. Engage the swing control when the bucket is clear of the excavation.

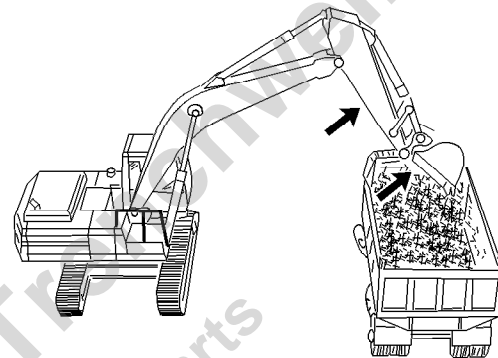


Illustration 198

g00101530

10. To dump a load, move the stick outward and open the bucket in a smooth motion.

Lifting Objects

WARNING

To prevent injury, do not exceed the rated load capacity of the machine. If the machine is not on level ground, load capacities will vary.

NOTICE

Damage to bucket cylinder, bucket or linkage could result if slings are placed incorrectly.

There may be local regulations and/or government regulations that govern the use of machines which lift heavy objects. Obey all local and government regulations.

Short slings will prevent excessive load swing.

Operation Section
Quick Coupler Operation

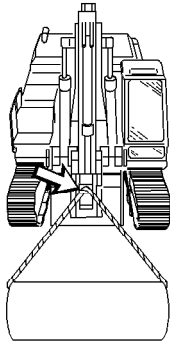


Illustration 199

g00101531

Use the lifting eye that is provided on the linkage to lift objects.

If the lifting eye is used, the connection must be made with a sling or with a shackle.

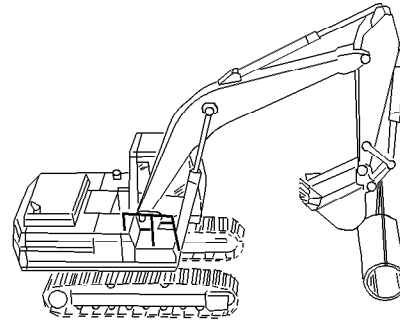


Illustration 202

g00101534

For the best stability, carry a load close to the machine and to the ground.

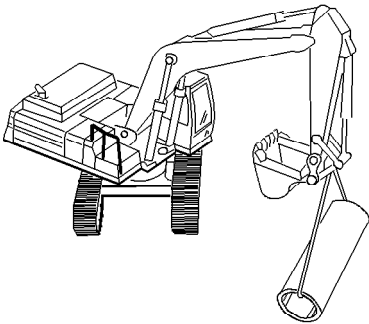


Illustration 200

g00101532

An unstable condition can exist if a load exceeds the machine load rating or if a heavy load is swung over an end or over a side.

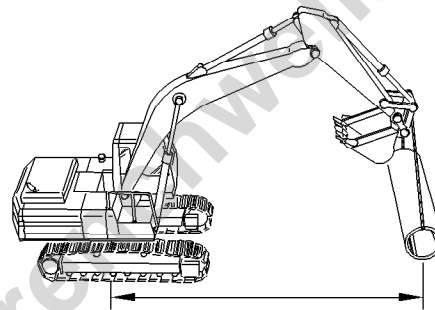


Illustration 203

g00101535

Lift capacity decreases as the distance from the swing centerline is increased.

i07175212

Quick Coupler Operation (Hydraulic Pin Grabber Quick Coupler (If Equipped))

SMCS Code: 6129; 6522; 7000

NOTICE

The Caterpillar Quick Coupler (Hydraulic Pin Grabber) is not designed to be used in applications where there is long exposure to excessive vibration. The vibration caused by extensive use of a hydraulic hammer as well as the added weight of certain demolition tools such as shears, crushers, and pulverizers may cause premature wear and decreased service life of the coupler.

Be sure to carefully inspect the coupler daily for cracks, bent components, wear, distressed welds, etc. when operating with any of the above work tools.

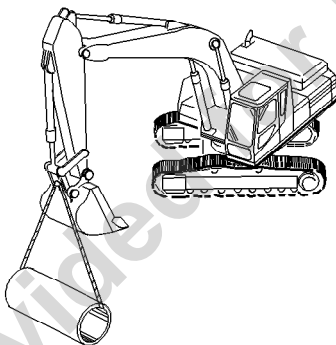


Illustration 201

g00101533

The most stable lifting position is over a corner of the machine.

General Operation

The quick coupler is used to quickly change work tools while the operator remains in the cab. The quick coupler can be used with a broad range of buckets and work tools. Each work tool must have a set of pins in order for the quick coupler to work properly.

The work tools are held onto the quick coupler by hydraulic pressure. If pressure is lost, a check valve in the hydraulic cylinder traps oil in the cylinder. In addition to the check valve, a blocking bar locks the work tools to the quick coupler. Ensure that the hydraulic system and the blocking bar are working properly before using the quick coupler.

A lifting eye is included on the quick coupler. Release the work tool from the quick coupler to use the lifting eye to pick up loads. To lift a load with the lifting eye, extend the bucket cylinder until the quick coupler is in a VERTICAL position. Do not exceed the rated load for the machine.

NOTICE

Once the work tool has been properly attached to the coupler, no loosening of the work tool should occur. Refer to the "Quick Coupler Installation and Removal" section of the quick coupler Operation and Maintenance Manual for additional information. If at any point after the proper attachment and back drag testing of the work tool, should the work tool then become loose or if the rear pin of the work tool detaches from the movable hook, stop work immediately and safely ground and detach the work tool. Consult your Cat dealer to inspect the coupler prior to putting the coupler back into service. This situation could indicate potential coupler damage that may not be readily visible to the customer or operator of the machine and coupler.

NOTICE

Inspection of the Center-Lock coupler is required after a failure of the primary engaging system or a miscoupling of the tool, causing the work tool to swing by the secondary lock. Contact your Cat dealer.

Refer to Special Instruction, REHS5676, "The Inspection Procedure for the Center-Lock Coupler" for the proper procedure.

Note: Machines operating hydromechanical work tools equipped with a Center-Lock Pin Grabber Coupler, the addition of a Hydromechanical Conversion Kit may also be required. Refer to the Operation and Maintenance Manual for the quick coupler for more information or consult your Cat dealer.

Quick Coupler Operation

Description of the Instruction Film

An instruction film is included with the quick coupler. The instruction film illustrates the operation of the quick coupler.

Note: For detailed instructions on the operation of the quick coupler, refer to "Coupling the Work Tool" and "Uncoupling the Work Tool".

The instruction film should be legible at all times. Clean the film or replace the film if the film is not legible. When you clean the film, use a cloth, water, and soap. Do not use solvent, gasoline, or harsh chemicals to clean the film. Solvents, gasoline, or harsh chemicals could loosen the adhesive that secures the film. Loose adhesive will allow the film to fall. If the film is damaged or the film is missing, replace the film. For more information, consult your Cat dealer.

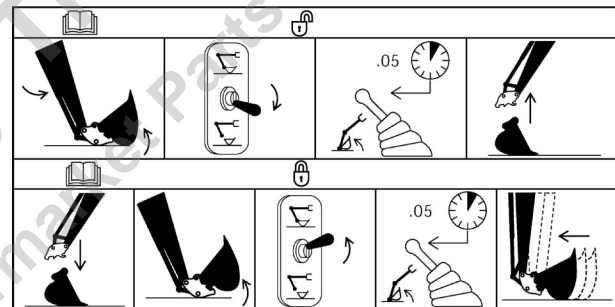


Illustration 204

Instruction film

g01231702

Description of the Top Frame on the Film (Uncoupling the Work Tool)

1. Extend the stick cylinder and extend the bucket cylinder until the work tool is curled past a vertical position.
2. Move the electric switch to the UNLOCK position.
3. Hold the control lever for the bucket cylinder in the EXTEND position for 5 seconds after the electric switch has been unlocked.

Operation Section
Hydraulic Pin Grabber Quick Coupler (If Equipped)

- Place the work tool in the storage position close to the ground. Retract the bucket cylinder until the tool is disengaged from the quick coupler.

Description of the Bottom Frame on the Film (Coupling the Work Tool)

- Engage the quick coupler onto the work tool.
- Extend the stick cylinder and extend the bucket cylinder until the work tool is curled past a vertical position.
- Move the electric switch to the LOCK position.
- Hold the control lever for the bucket cylinder in the EXTEND position for 5 seconds after the electric switch has been locked.
- Make sure that the quick coupler pins are engaged. Retract the bucket cylinder and drag the attachment on the ground. This method will ensure that the quick coupler pins are engaged.
- Visually confirm positive indication of the ISO Engagement Indicator, if equipped.

WARNING

Crush injury. Could cause serious injury or death. Always confirm that the quick coupler is engaged onto the pins. Read the Operator's Manual.

NOTICE

Back drag the work tool on the ground to ensure the quick coupler is properly locked.

Do Not strike the work tool on the ground to ensure the quick coupler is properly locked. Striking the work tool on the ground will result in damage to the coupler cylinder.

Electric Switch Operation

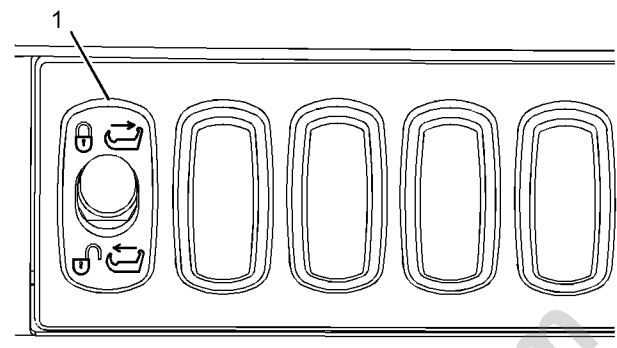


Illustration 205

g01354191

Early type

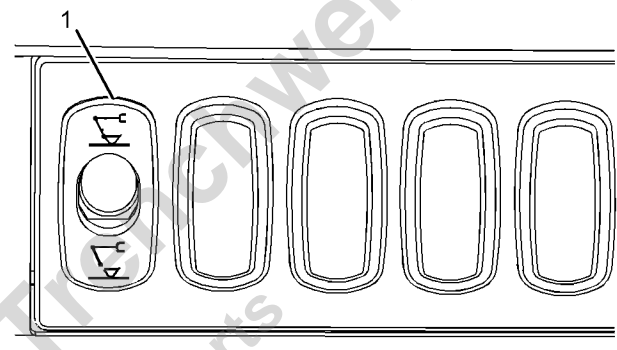


Illustration 206

g01354192

Later type

The electric switch (1) is located inside the cab. The electric switch has two positions that are used for coupling the work tool and uncoupling the work tool. Examples of the early switch type and the later switch type have been shown above. Refer to this Operation and Maintenance Manual, "Operator Controls" for the location of the electric switch.



UNLOCK – To unlock the coupler, extend the stick cylinder and extend the bucket

cylinder until the bucket is fully curled under the stick. Pull the switch outward and move the switch toward the UNLOCK position. A buzzer will sound. Hold the control lever for the bucket cylinder in the EXTEND position for 5 seconds after the electric switch has been unlocked. The switch must remain in the UNLOCK position until another work tool is attached. The switch must remain in the UNLOCK position to prevent the blocking bar from jamming.



LOCK – To lock the coupler, engage the quick coupler onto the work tool. Extend the stick cylinder and extend the bucket cylinder until the bucket is fully curled under the stick. Pull the switch outward and move the switch toward the LOCK position. The buzzer will not sound when the switch is in the LOCK position. The buzzer does not sound when the switch is in the LOCK position. This does not indicate that the coupler is engaged. Hold the control lever for the bucket cylinder in the EXTEND position for 5 seconds after the electric switch has been locked. Make sure that the quick coupler is engaged onto the pins. Retract the bucket cylinder and drag the attachment on the ground. This method will ensure that the quick coupler is engaged onto the pins. Visually confirm positive indication of the ISO Engagement Indicator, if equipped.

Coupling the Work Tool

WARNING

Place the work tool or bucket in a safe position before engaging the quick coupler. Ensure that the work tool or bucket is not carrying a load.

Serious injury or death may result from engaging the work tool or bucket when it is in an unstable position or carrying a load.

WARNING

Inspect the quick coupler engagement before operating the machine.

Serious injury or death may result from improperly engaged coupler.

WARNING

Crush injury. Could cause serious injury or death. Always confirm that the quick coupler is engaged onto the pins. Read the Operator's Manual.

NOTICE

The buzzer will not sound when the switch is in the lock position. The position of the switch does not confirm that the quick coupler locking system is properly engaged with the attachment pins. Visually confirm positive indication of the ISO Engagement Indicator, if equipped. A physical test is required by dragging the work tool on the ground to confirm that the coupler pins are engaged.

NOTICE

Always confirm that the buzzer sounds when the switch is in the unlock position. If no sound is heard while in this condition, ensure that the work tool is placed in a stable and safe position. Turn off the engine. Consult your Cat dealer.

NOTICE

With certain work tool combinations, including quick couplers, the work tool can hit the cab or the front of the machine. Always check for interference when first operating a new work tool.

1. Position the bucket or the work tool on a level surface.
2. Make sure that the pins are in the bucket or the work tool. Make sure that the pin keepers are installed correctly.

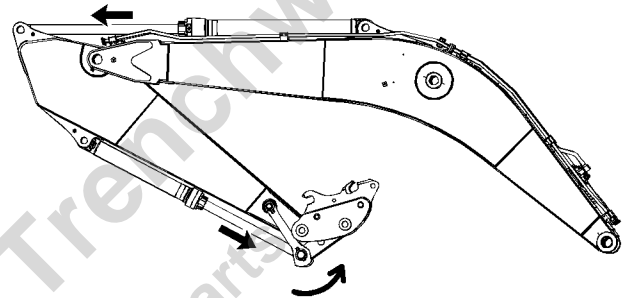


Illustration 207

g01231266

3. To prevent the blocking bar from jamming, the quick coupler must be curled past a vertical position before you move the switch from the LOCK position to the UNLOCK position. Extend the stick cylinder and extend the bucket cylinder until the quick coupler is curled past a vertical position.
4. Pull the switch outward and move the switch to the UNLOCK position. A buzzer will sound.

Operation Section
Hydraulic Pin Grabber Quick Coupler (If Equipped)

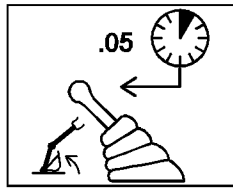


Illustration 208

g01231447

5. Hold the control lever for the bucket cylinder in the EXTEND position for 5 seconds after the electric switch has been unlocked. The switch must remain in the UNLOCK position until the work tool is attached to prevent the blocking bar from jamming. The buzzer will continue to sound until the switch is moved to the LOCK position.

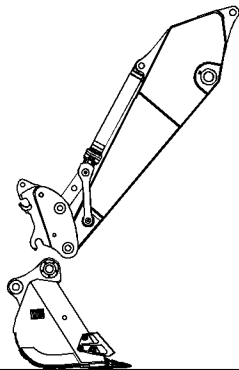


Illustration 209

g01231316

6. Align the quick coupler with the work tool.

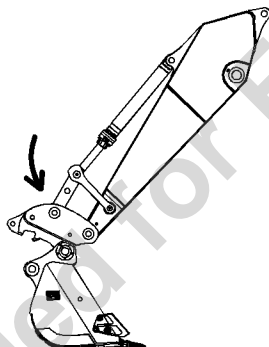


Illustration 210

g01231317

7. Rotate the quick coupler to grab the top pin.

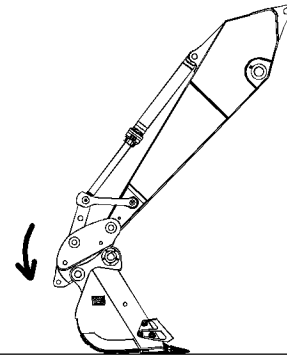


Illustration 211

g01231320

8. Rotate the quick coupler downward to grab the bottom pin.

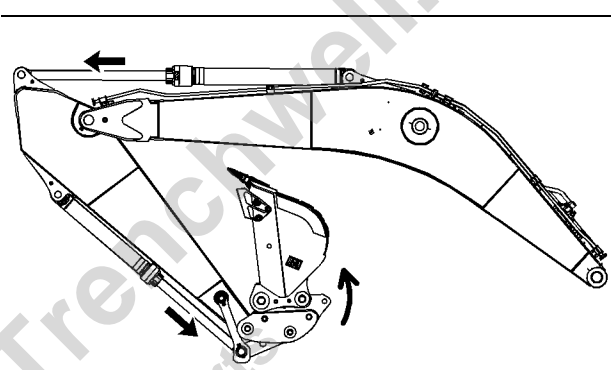


Illustration 212

g01231322

9. Extend the stick cylinder and extend the bucket cylinder until the work tool is curled past a vertical position. This must be performed before you move the switch from the UNLOCK position to the LOCK position.

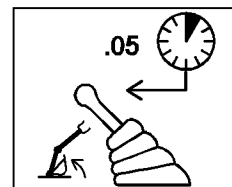


Illustration 213

g01231447

NOTICE

Hold the bucket cylinder control lever in the EXTEND position while the switch is moved into the LOCK position. Failure to do so may result in unwanted movement of the worktool.

10. Move the switch to the LOCK position. The buzzer will no longer sound. Hold the control lever for the bucket cylinder in the EXTEND position for 5 seconds to lock the hook.

⚠ WARNING

Crush injury. Could cause serious injury or death. Always confirm that the quick coupler is engaged onto the pins. Read the Operator's Manual.

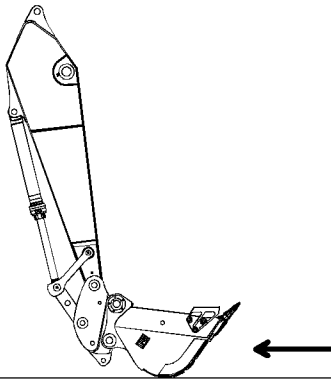


Illustration 214

g01231327

⚠ WARNING

Inspect the quick coupler engagement before operating the machine.

Verify that the quick coupler is engaged per the procedure in the Operation and Maintenance Manual. Verify prior to operating the machine, after every engine start, and after an extended time of inactivity.

Serious injury or death may result from improperly engaged coupler.

11. Verify that the quick coupler and the work tool are locked together.

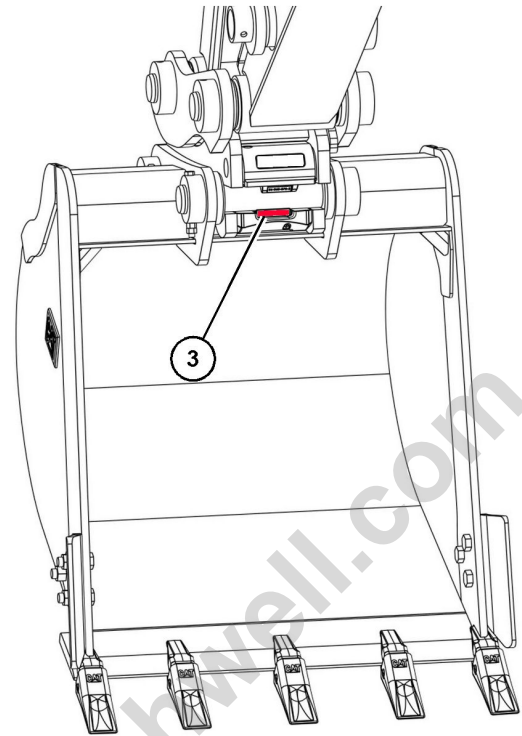


Illustration 215

g06222081

- Visually confirm the engagement of the work tool. Ensure that both the front and rear pin locking mechanisms for the work tool are locked and secure the work tool to the quick coupler.
- Visually confirm positive indication of the ISO Engagement Indicator (3), if equipped.
- Retract the bucket cylinder and drag the work tool on the ground.
- Visually confirm that there is no movement between the work tool and the quick coupler.

NOTICE

Back drag the work tool on the ground to ensure the quick coupler is properly locked.

Do Not strike the work tool on the ground to ensure the quick coupler is properly locked. Striking the work tool on the ground will result in damage to the coupler cylinder.

Uncoupling the Work Tool

WARNING

Place the work tool or bucket in a safe position before disengaging the coupler. Disengaging the coupler will release the work tool or bucket from control of the operator.

Serious injury or death may result from disengaging the work tool or bucket when it is in an unstable position or carrying a load.

NOTICE

Auxiliary hoses for work tools must be disconnected before the Hydraulic Quick Coupler is disengaged.

Pulling the work tool with the auxiliary hoses could result in damage to the host machine or the work tool.

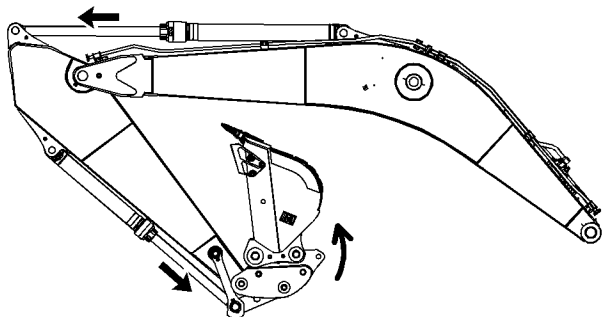


Illustration 216

g01231322

1. Extend the stick cylinder and extend the bucket cylinder until the work tool is curled past a vertical position. This must be performed before you move the switch from the LOCK position to the UNLOCK position.
2. Pull the switch outward and move the switch to the UNLOCK position.

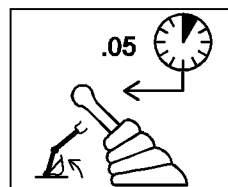


Illustration 217

g01231447

3. Hold the control lever for the bucket cylinder in the EXTEND position for 5 seconds to unlock the hook. A buzzer will sound until the switch is moved to the LOCK position. To lift objects with the lifting eye of the quick coupler, refer to "Coupler Lifting Eye Operation without Bucket".

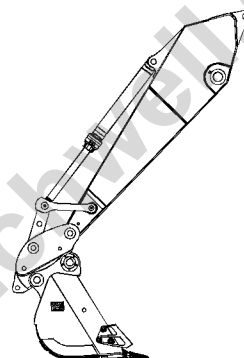


Illustration 218

g01231426

4. Move the boom and the stick until the tool or the bucket is in the storage position. Keep the tool close to the ground.

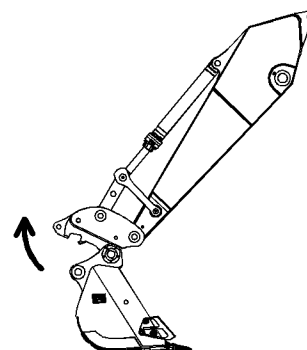


Illustration 219

g01231430

5. Rotate the quick coupler upward to release the bottom pin.

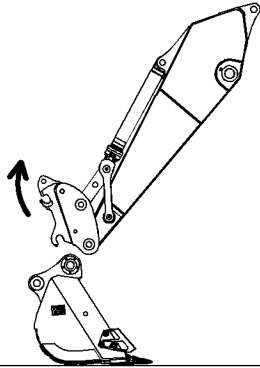


Illustration 220

g01231432

6. Continue to rotate the quick coupler upward to release the top pin and completely release the work tool from the quick coupler.
7. Move the stick to a position that is clear of the work tool.

Note: To lift objects with the lifting eye of the quick coupler, refer to "Coupler Lifting Eye Operation without Bucket".

Coupling a Bucket that is Reversed

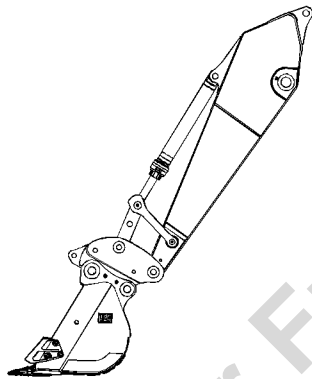


Illustration 221

g01231682

1. When you use a hydraulic pin grabber quick coupler, you can connect to a bucket that is in a reversed position. Refer to Illustration 221 for an example of connecting to a bucket that is in a reversed position.

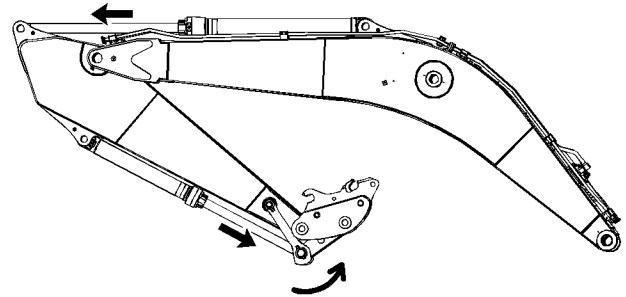


Illustration 222

g01231266

2. To prevent the blocking bar from jamming, the quick coupler must be curled past a vertical position before you move the switch from the LOCK position to the UNLOCK position. Extend the stick cylinder and extend the bucket cylinder until the quick coupler is curled past a vertical position.
3. Follow the same steps for coupling the work tool to couple the host machine to a bucket that is reversed. Refer to "Coupling the Work Tool" for the proper procedure.

NOTICE

When some Caterpillar buckets are used in the reverse position, it can be more difficult to couple the bucket and uncouple the bucket than in the normal position.

Care must be taken to ensure that the position of the boom, stick, and bucket are aligned to ensure smooth coupling. The coupler must be in position between the bucket bosses.

If the bucket is not fully engaged in the jaw of the coupler, the quick coupler can become snagged on the bucket bosses. The full weight of the bucket is then carried by the quick coupler sideplates, which can cause damage to the quick coupler.

Operation Section
Hydraulic Pin Grabber Quick Coupler (If Equipped)

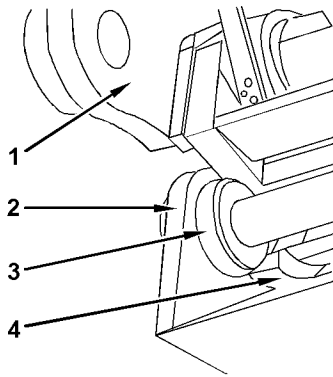


Illustration 223

g01231689

- (1) Quick coupler
- (2) Bucket
- (3) Boss
- (4) Hook

Coupler Lifting Eye Operation without Bucket

1. Remove the work tool. Refer to "Uncoupling the Work Tool" for the proper procedure.

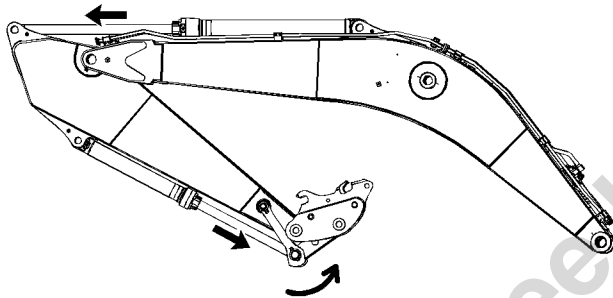


Illustration 224

g01231266

2. To prevent the blocking bar from jamming, the quick coupler must be curled past a vertical position before you move the switch from the UNLOCK position to the LOCK position. Extend the stick cylinder and extend the bucket cylinder until the quick coupler is curled past a vertical position.
3. Pull the switch outward and move the switch to the LOCK position. The buzzer will no longer sound.

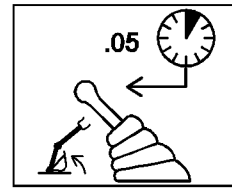


Illustration 225

g01231447

4. Hold the control lever for the bucket cylinder in the EXTEND position for 5 seconds after the electric switch has been locked.

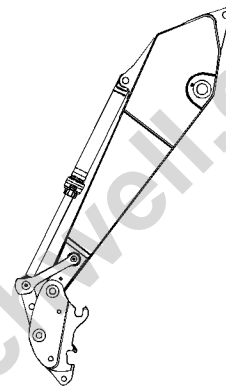


Illustration 226

g01231666

5. Rotate the quick coupler downward and move the stick to a position that is clear of the work tool.

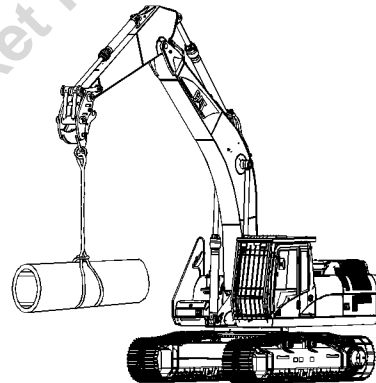


Illustration 227

g01187716

6. Use the lifting eye of the quick coupler, as needed.

7. To reinstall the bucket or the work tool, refer to "Coupling the Work Tool" for the proper procedure.

i06139647

Bucket - Remove and Install

SMCS Code: 6001; 6001-012; 6001-011; 6101; 6102; 6523

Captured Flag

WARNING

Failure to follow the instruction below for the installation of a work tool may result in personal injury or death. Special care must be taken if more than one person is installing the work tool.

- Confirm the verbal communication and the hand signals that will be used during the installation.
- Be alert for sudden movement of the front linkage and the work tool.
- Do not insert fingers into the bores of the support pins when the support pins and the bores are being aligned.

NOTICE

To facilitate removal of the bucket pins without causing damage to the pins, the bearings, and/or the O-ring seals put the bucket on the floor and the stick in a vertical position, as shown.

Removal Procedure

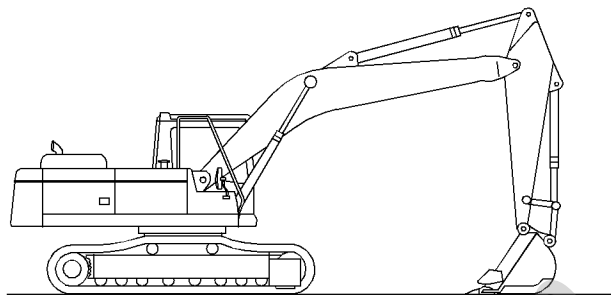


Illustration 228

g02154493

1. Start the engine. Park the machine on a hard, level surface. Position the bucket, the stick, and the bucket control linkage, as shown. Shut off the engine.

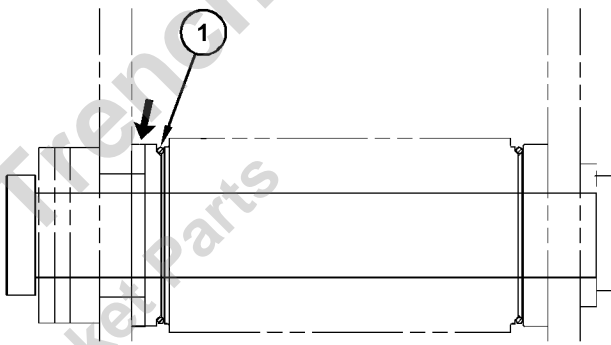


Illustration 229

g03822729

2. Slide O-ring seals (1) off the pin joints and onto the flanges of the bucket.

WARNING

When the pin assembly is removed, the linkage assembly may swing out of the bucket. To prevent possible personal injury, do not stand in front of the linkage assembly when the pin assembly is being removed.

Note: Removing the support pin may be difficult due to excessive pressure on the support pin. Remove the pressure on the support pin by adjusting the front linkage.

Operation Section
Bucket - Remove and Install

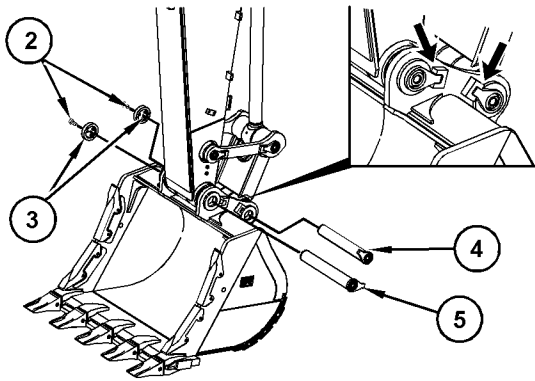


Illustration 230

g03822731

3. Remove bolts (2) and retaining plates (3). Then remove support pin (4) and support pin (5).
4. Start the engine and raise the stick out of the bucket.
5. Remove the O-ring seals (1) from the flanges on the bucket.

Note: After the support pins have been removed, make sure that the support pins do not become contaminated with sand or dirt. Make sure that the seals on the end of the stick and the seals on the end of the link do not become damaged.

Installation Procedure

1. Clean each pin and each pin bore. Lubricate each pin bore with molybdenum grease.

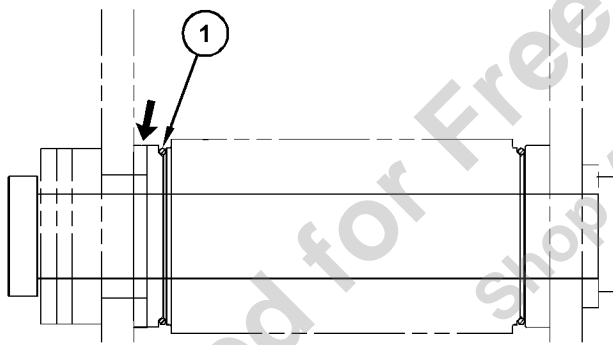


Illustration 231

g03822729

2. Position the O-ring seals (1) onto the flanges of the bucket.
3. Start the engine and lower the stick into the bucket until the pin bores are in alignment with each other. Stop the engine.

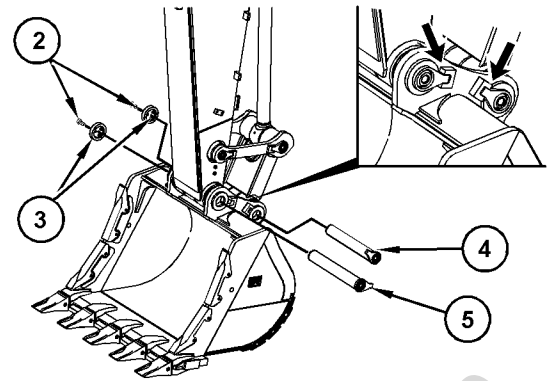


Illustration 232

g03822731

4. Insert support pin (5) into the pin bore. Make sure that the flange of the support pin rest inside the support on the side of the bucket.
5. Refer to Operation and Maintenance Manual, "Bucket Linkage - Inspect/Adjust" in order to adjust the bucket clearance.
6. Install retaining plate (3). Install bolts (2). Tighten bolts (2) evenly.
7. Slide O-ring seals (1) in position over the pin joints between the bucket and the stick.
8. Start the engine and position the bucket linkage into the bucket until the pin bores are in alignment with each other. Stop the engine.
9. Insert support pin (4) into the pin bore. Make sure that the flange of the support pin rest inside the support on the side of the bucket.
10. Install retaining plate (3). Install bolts (2). Tighten bolts (2) evenly.
11. Slide the O-ring seals (1) over the pin joints between the bucket and the link assembly.

12. Lubricate the bucket pins. Refer to Operation and Maintenance Manual, "Bucket Linkage - Lubricate" or Operation and Maintenance Manual, "Boom, Stick, and Bucket Linkage - Lubricate".

Bolted Flag

WARNING

Failure to follow the instruction below for the installation of a work tool may result in personal injury or death. Special care must be taken if more than one person is installing the work tool.

- Confirm the verbal communication and the hand signals that will be used during the installation.
- Be alert for sudden movement of the front linkage and the work tool.
- Do not insert fingers into the bores of the support pins when the support pins and the bores are being aligned.

NOTICE

To facilitate removal of the bucket pins without causing damage to the pins, the bearings, and/or the O-ring seals put the bucket on the floor and the stick in a vertical position, as shown.

Removal Procedure

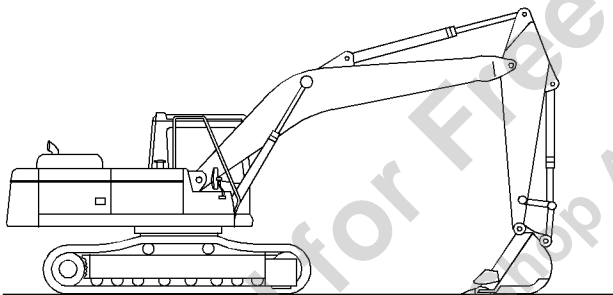


Illustration 233

g02154493

1. Start the engine. Park the machine on a hard, level surface. Position the bucket, the stick, and the bucket control linkage, as shown. Shut off the engine.

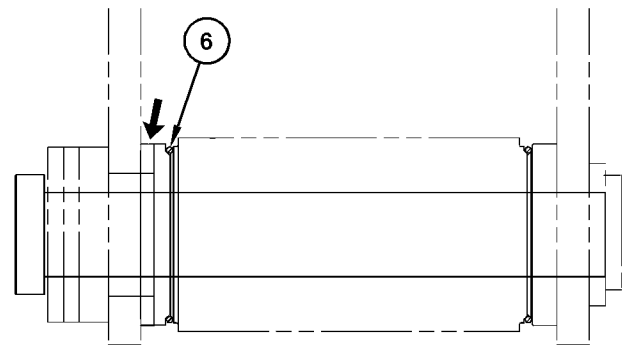


Illustration 234

g03822734

2. Slide O-ring seals (6) off the pin joints and onto the flanges of the bucket.

WARNING

When the pin assembly is removed, the linkage assembly may swing out of the bucket. To prevent possible personal injury, do not stand in front of the linkage assembly when the pin assembly is being removed.

Note: Removing the support pin may be difficult due to excessive pressure on the support pin. Remove the pressure on the support pin by adjusting the front linkage.

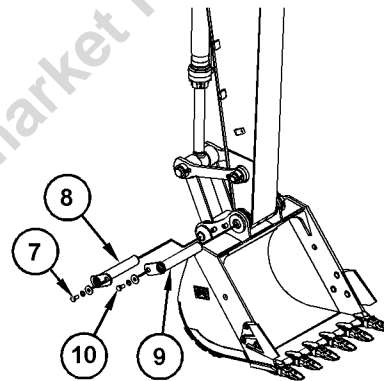


Illustration 235

g03822736

3. Remove bolt (7). Remove support pin (8).
4. Remove bolt (10). Remove support pin (9).
5. Start the engine and raise the stick out of the bucket.
6. Remove the O-ring seals (6) from the flanges on the bucket.

Operation Section
Bucket - Remove and Install

Note: After the support pins have been removed, make sure that the support pins do not become contaminated with sand or dirt. Make sure that the seals on the end of the stick and the seals on the end of the link do not become damaged.

Installation Procedure

1. Clean each pin and each pin bore. Lubricate each pin bore with molybdenum grease.

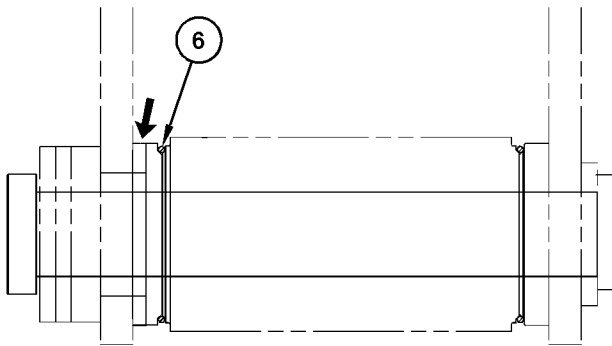


Illustration 236

g03822734

2. Position the O-ring seals (6) onto the flanges of the bucket.

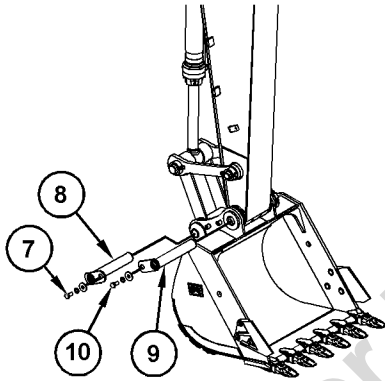


Illustration 237

g03822736

3. Start the engine and lower the stick into the bucket until the pin bores are in alignment with each other. Stop the engine.
4. Install support pin (9) into the pin bore.
5. Install bolt (10).
6. Refer to Operation and Maintenance Manual, "Bucket Linkage - Inspect/Adjust" in order to adjust the bucket clearance.
7. Slide O-ring seals (6) in position over the pin joints between the bucket and the stick.

8. Start the engine and position the bucket linkage into the bucket until the pin bores are in alignment with each other. Stop the engine.

9. Install support pin (8) into the pin bore.

10. Install Bolt (7).

11. Slide the O-ring seals (6) over the pin joints between the bucket and the link assembly.

12. Lubricate the bucket pins. Refer to Operation and Maintenance Manual, "Bucket Linkage - Lubricate" or Operation and Maintenance Manual, "Boom, Stick, and Bucket Linkage - Lubricate".

Crossbolt

⚠ WARNING

Failure to follow the instruction below for the installation of a work tool may result in personal injury or death. Special care must be taken if more than one person is installing the work tool.

- Confirm the verbal communication and the hand signals that will be used during the installation.
- Be alert for sudden movement of the front linkage and the work tool.
- Do not insert fingers into the bores of the support pins when the support pins and the bores are being aligned.

NOTICE

To facilitate removal of the bucket pins without causing damage to the pins, the bearings, and/or the O-ring seals put the bucket on the floor and the stick in a vertical position, as shown.

Removal Procedure

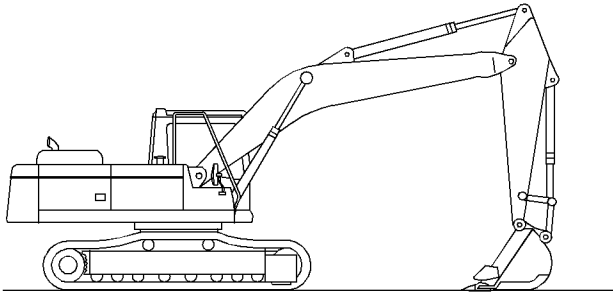


Illustration 238

g02154493

1. Start the engine. Park the machine on a hard, level surface. Position the bucket, the stick, and the bucket control linkage, as shown. Shut off the engine.

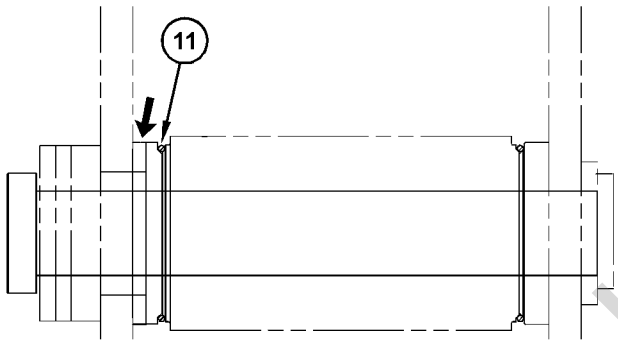


Illustration 239

g03822738

2. Slide O-ring seals (11) off the pin joints and onto the flanges of the bucket.

WARNING

When the pin assembly is removed, the linkage assembly may swing out of the bucket. To prevent possible personal injury, do not stand in front of the linkage assembly when the pin assembly is being removed.

Note: Removing the support pin may be difficult due to excessive pressure on the support pin. Remove the pressure on the support pin by adjusting the front linkage.

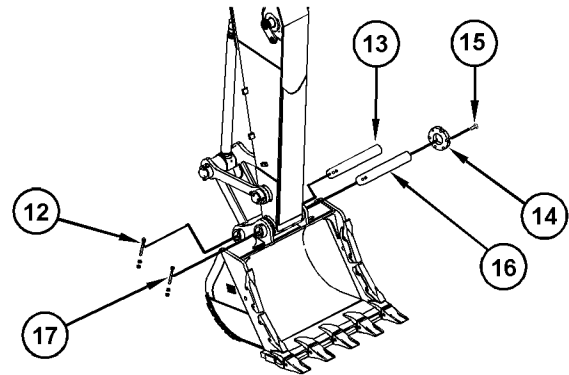


Illustration 240

g03822739

3. Remove nuts and retaining bolt (12) from support pin (13). Remove support pin (13).
4. Remove bolts (15) and adapter plate (14). Remove the shims.
5. Remove nuts and retaining bolt (17) from support pin (16). Remove support pin (16).
6. Start the engine and raise the stick out of the bucket.
7. Remove the O-ring seals (11) from the flanges on the bucket.

Note: After the support pins have been removed, make sure that the support pins do not become contaminated with sand or dirt. Make sure that the seals on the end of the stick and the seals on the end of the link do not become damaged.

Installation Procedure

1. Clean each pin and each pin bore. Lubricate each pin bore with molybdenum grease.

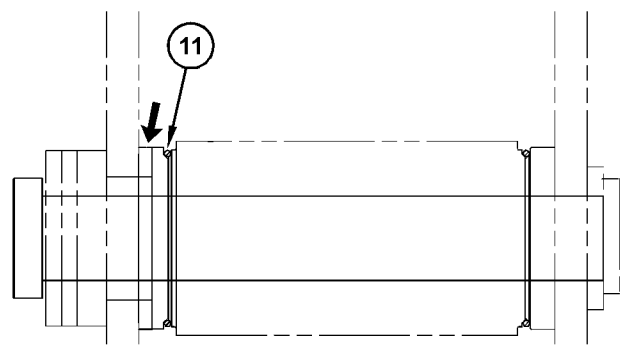


Illustration 241

g03822738

2. Position the O-ring seals (11) onto the flanges of the bucket.

Operation Section
Work Tool Changing

3. Start the engine and lower the stick into the bucket until the pin bores are in alignment with each other. Stop the engine.

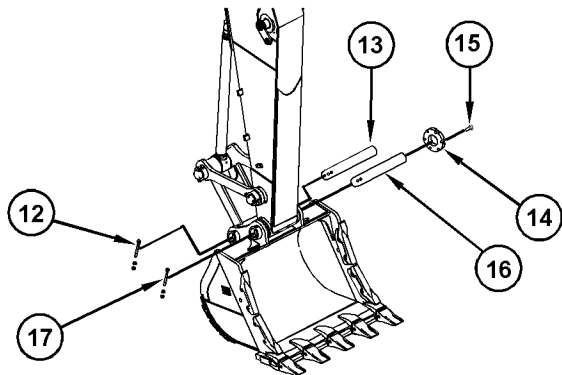


Illustration 242

g03822739

4. Install support pin (16). Put the retaining bolt hole that is in support pin (16) in alignment with the retaining bolt hole that is in the bucket.
5. Install the retaining bolt and nuts (17). Install adapter plate (14) without the shims, and without bolts (15) that hold adapter plate (14).
6. Refer to Operation and Maintenance Manual, "Bucket Linkage - Inspect/Adjust" in order to adjust the bucket clearance.
7. Slide O-ring seals (11) in position over the pin joints between the bucket and the stick.
8. Start the engine and position the bucket linkage into the bucket until the pin bores are in alignment with each other. Stop the engine.
9. Install support pin (13). Put the retaining bolt hole that is in the bucket pin in alignment with the retaining bolt hole that is in the bucket.
10. Install the retaining bolt and nuts (12).
11. Slide the O-ring seals (11) over the pin joints between the bucket and the link assembly.

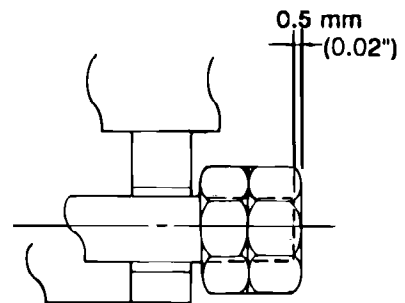


Illustration 243

g00510030

12. Tighten retaining nuts (12) and (17). Position the outside nut even with the end of the retaining bolt or 0.5 mm (0.02 inch) beyond the end of the retaining bolt. Tighten the inside nut against the outside nut.
13. Lubricate the bucket pins. Refer to Operation and Maintenance Manual, "Bucket Linkage - Lubricate" or Operation and Maintenance Manual, "Boom, Stick, and Bucket Linkage - Lubricate".

i02282808

Work Tool Changing

SMCS Code: 6129; 6522; 6700

Only certain machines are equipped with the Versa-Link.

Position the stick in a VERTICAL position. Rotate the work tool so that the links and wedges are in a VERTICAL position. Lower the work tool close to the ground but not touching the ground.

Once the positions have been found, perform the following procedure.

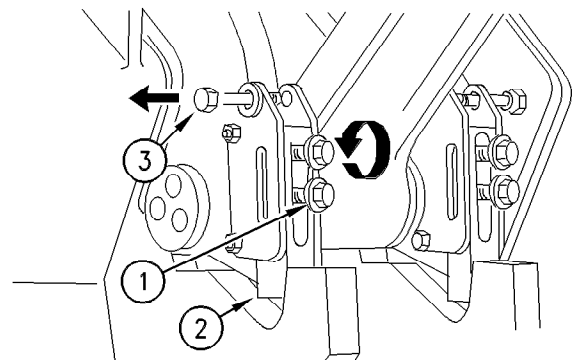


Illustration 244

g00103353

(1) Bolts. (2) Sliding Wedge Locks. (3) Retainer Bolts.

1. Turn four bolts (1) in the counterclockwise direction until the bolts are loose. The bolts hold the sliding wedge locks (2) in place.
2. Remove retainer bolts (3).
3. Retract the sliding wedge locks (2) and reinstall the retainer bolts.
4. Move the machine to the new work tool and engage the new work tool.

i03548680

Hammer Operation (If Equipped)

SMCS Code: 5705-WTL

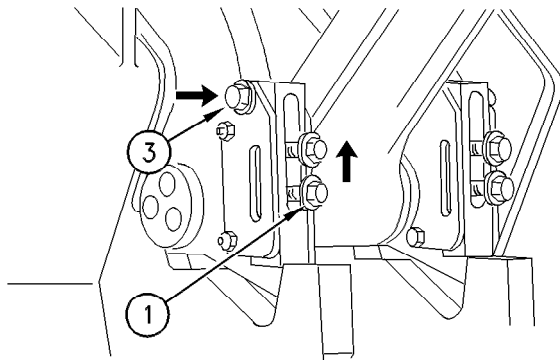


Illustration 245

g00103357

(1) Bolts. (3) Retainer Bolts.

5. Remove retainer bolts (3). Move sliding wedges (2) downward.
6. Tighten four bolts (1) and reinstall retainer bolts (3).

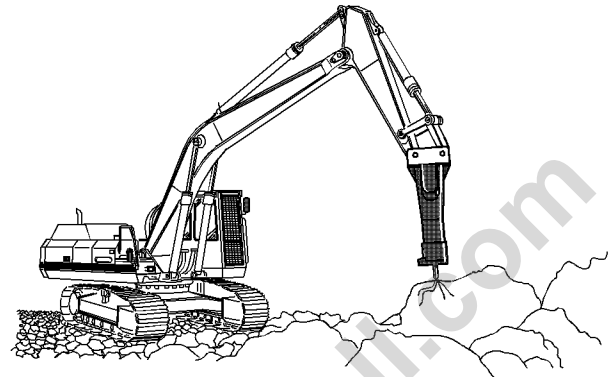


Illustration 246

g01876560

NOTICE

Use only a hydraulic hammer that is recommended by Caterpillar. The use of a hydraulic hammer that is not recommended by Caterpillar could damage your machine. Consult your Caterpillar dealer for information on recommended hydraulic hammers.

Only use the hydraulic hammer to break rocks, concrete, and other hard objects. Before you start hydraulic hammer operation, place the machine on a level, stable surface.

Before you start hydraulic hammer operation, close the front window. Caterpillar recommends the installation of a window guard on the front window for protection from flying debris.

NOTICE

In order to avoid structural damage to the host machine or the hydraulic hammer, comply with the following:

Do not attempt to break rocks or concrete by burying the hammer tool completely into the rocks or concrete.

Do not apply a prying force to the hammer tool in order to remove the hammer tool from the material.

Do not allow the hydraulic hammer to continuously operate at one location and for more than 15 seconds. Change the location of the hydraulic hammer and repeat the procedure. Failure to change the location of the hydraulic hammer could cause the hydraulic oil to overheat. Overheated hydraulic oil could cause damage to the accumulator.

Stop the hydraulic hammer immediately if the jumper lines are pulsating violently. This indicates that the accumulator nitrogen charge is lost. Consult your Caterpillar dealer for the necessary repair.

NOTICE

Do not use the dropping force of the hydraulic hammer to break rocks or other hard objects. This could cause structural damage to the machine.

Do not use the sides or back of the hydraulic hammer to move rocks or other hard objects. Doing this could cause damage not only to the hammer but to stick or boom cylinder.

Do not operate the hydraulic hammer with any of the cylinders fully retracted or extended. Doing this could cause structural damage to the machine, resulting in reduced machine life.

Do not use the hydraulic hammer to lift an object.

Do not operate the hydraulic hammer while the stick is vertical to the ground. This could allow the stick cylinder to vibrate excessively.

Operate the attachment control levers carefully in order to keep the hydraulic hammer's tool from hitting the boom.

Do not operate the hydraulic hammer under water unless the hydraulic hammer is properly equipped. Operating the hydraulic hammer under water could cause serious damage to the machine hydraulic system. Consult your Caterpillar dealer for information on underwater operation.

Do not operate the hydraulic hammer with the upper structure sideways to the undercarriage. Before you start hydraulic hammer operation, place the upper structure in the recommended positions that are shown in illustration 247. Any other operating positions could make the machine unstable. Any other operating positions could place excessive loads on the undercarriage.

Refer to the following for any additional questions about the operation and care of your Caterpillar hydraulic hammer: Operation and Maintenance Manual, SEBU7346, "Hydraulic Hammers", Operation and Maintenance Manual, HEPU9000, "Hydraulic Hammers" and Decal, SMEU7397, "Hammer Operation/Maintenance".

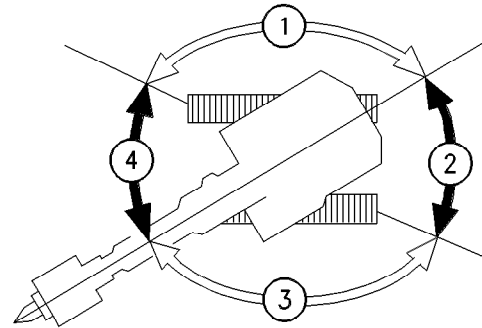


Illustration 247

g00101503

- (1) Incorrect working position
- (2) Correct working position
- (3) Incorrect working position
- (4) Correct working position

Provided by Trenchwell.com
Shop Aftermarket Parts

Parking

i02111770

Stopping the Machine

SMCS Code: 7000

Park on a level surface. If it is necessary to park on a grade, chock the tracks securely.

Note: The swing parking brake is automatically applied when the machine is stopped. The swing parking brake is released when the engine is running and the joystick is activated.

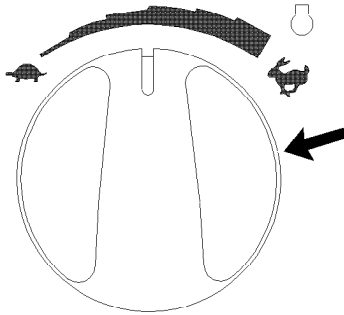


Illustration 248

g01075261

1. Turn the engine speed dial counterclockwise in order to reduce engine speed.

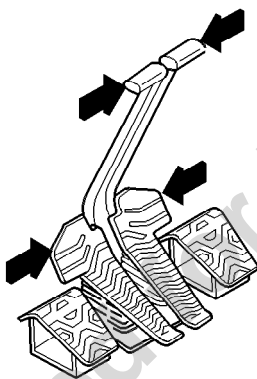


Illustration 249

g00560313

2. Release the travel levers/pedals in order to stop the machine.
3. Lower the work tool to the ground. Apply a slight downward pressure.

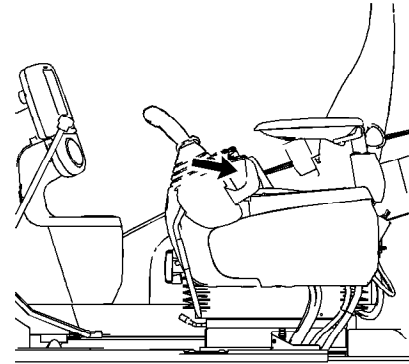


Illustration 250

g01075262

4. Move the hydraulic lockout control to the LOCKED position.

i01871055

Freezing Conditions

SMCS Code: 7000

If freezing temperatures are expected, remove the mud and the dirt from each track roller frame. Park the machine on wood planks. Use the following procedure to clean each track roller frame.

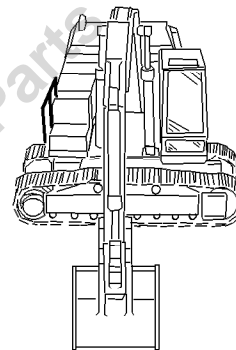


Illustration 251

g00101644

1. Position the boom over one side of the machine.
2. Use boom down pressure in order to lift the track on one side off the ground. Operate the track in the forward direction. Then operate the track in reverse. Continue this procedure until the maximum amount of material is thrown off the track.
3. Lower the track onto the wood planks.
4. Repeat the procedure for the other track.
5. Clean the area around the carrier rollers and around the track rollers.

- Lower the work tool onto a wood plank in order to prevent the work tool from touching the ground.

i06089591

Stopping the Engine

SMCS Code: 1000; 7000

NOTICE

Stopping the engine immediately after it has been working under load can result in overheating and accelerated wear of engine components.

Refer to the following procedure to allow the engine to cool and to prevent excessive temperatures in the turbocharger housing, which could cause oil coking problems.

- Stop the machine and run the engine at low idle for five minutes.

NOTICE

Never turn the battery disconnect switch to the OFF position while the engine is running. Serious damage to the electrical system may result.

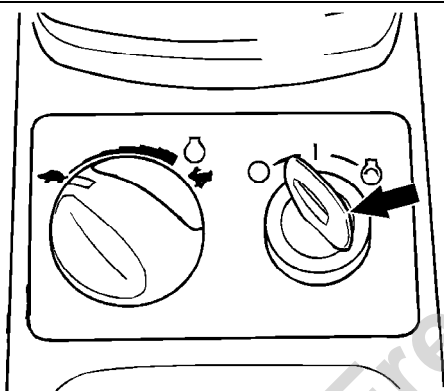


Illustration 252

g00683306

- Turn the engine start switch to the OFF position and remove the engine start switch key.

Engine Stop Control

Turn the engine start switch to the OFF position. If the engine does not stop, perform the following procedure.

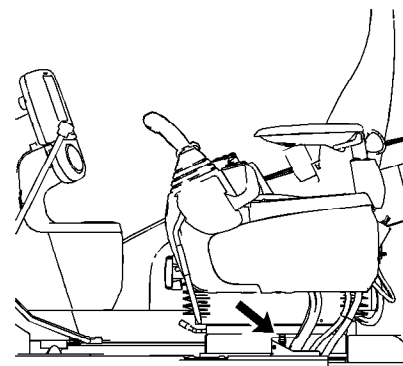


Illustration 253

g01073837

- The switch is located below the left side of the operator seat.

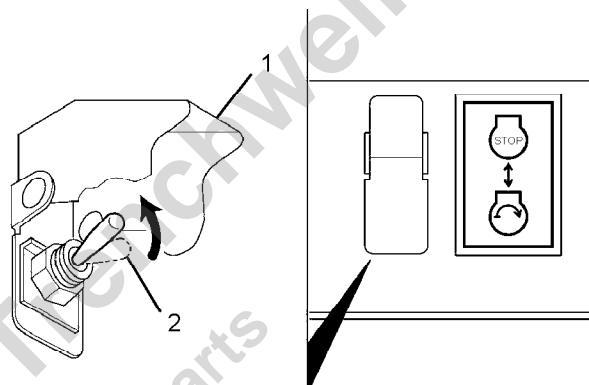


Illustration 254

g01048511

- Lift cover (1).
- Push switch (2) upward. This should stop the engine.

Note: Use the engine start switch to stop the engine first. Use the engine stop control as an alternate method to stop the engine.

- Return the switch to the original position. The engine will be enabled to start.

Note: Do not operate the machine again until the malfunction has been corrected.

- Use the method that follows if the previous steps do not stop the engine.

Stop the Engine if an Electrical Malfunction Occurs

Turn the engine start switch to the OFF position. If the engine does not stop, perform the procedure that follows.

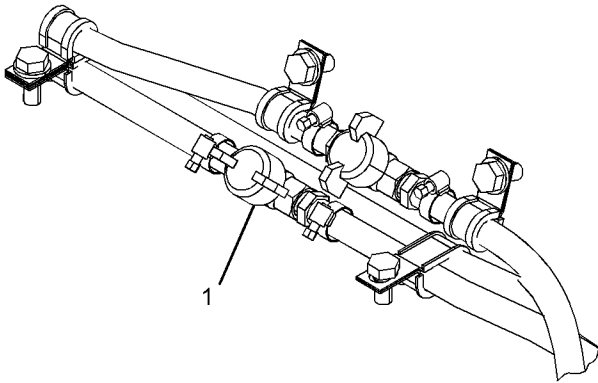


Illustration 255

g03811560

(1) Fuel shutoff valve

Shut off the fuel supply by turning the fuel shutoff valve (1) clockwise. The engine will stop after consuming the fuel in the fuel line. The engine may continue to run for a few minutes.

Repair the engine before you restart the engine. The fuel system may need to be primed. See Operation and Maintenance Manual, "Fuel System - Prime" for instructions.

Note: For more detailed information that pertains to draining the water and sediment from the fuel tank, refer to Operation and Maintenance Manual, "Fuel Tank Water and Sediment - Drain".

i06305056

Leaving the Machine

SMCS Code: 7000

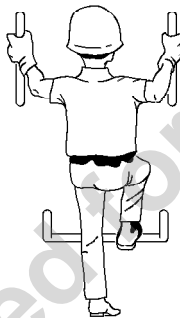


Illustration 256

g00037860

1. Use the steps and the handholds when you dismount. When you dismount, face the machine and use both hands.
2. Inspect the engine compartment for debris. Clean out any debris in order to avoid a fire hazard.

3. Remove all flammable debris from the front bottom guard through the access doors in order to reduce a fire hazard. Discard the debris properly.
4. Turn the key for the battery disconnect switch to the OFF position. When the machine is left for an extended period of one month or longer, you should remove the key. This will help to prevent a battery short circuit. Removing the key will also help to protect the battery from vandalism and from the current draw that is made by certain components.
5. Lock all vandalism covers (if equipped) and all compartments.

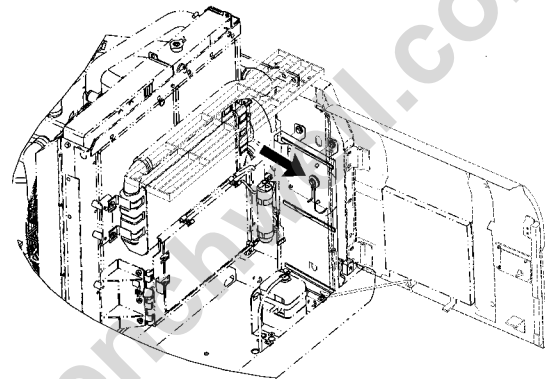


Illustration 257

g01365188

If equipped

6. Remove the bolt that holds the vandalism guards in place. Remove the vandalism guards from the storage area.

Operation Section
Leaving the Machine

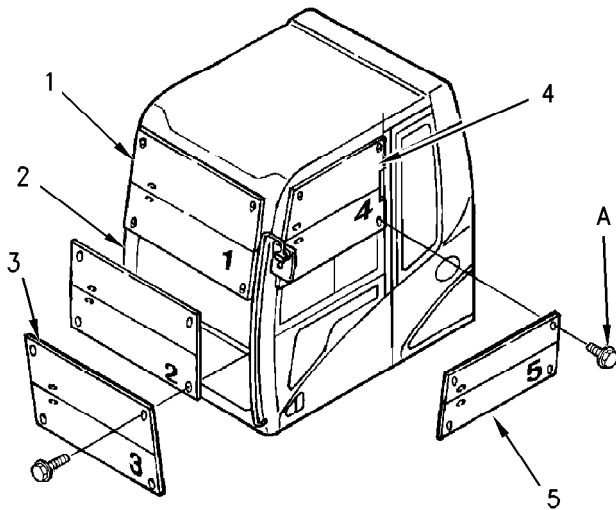


Illustration 258

g00683466

If equipped

7. Install the vandalism guards on the front window and on the cab door. An identification number is stamped on each of the vandalism guards. Install the vandalism guards in the correct sequence. Use bolts (A) only for vandalism guard (3) and for vandalism guard (5).

Note: When you are storing the vandalism guards, make sure that you place the guards in the storage area in sequential order. The vandalism guards will only fit in the storage area in this manner.

Provided for Free by Trenchwell.com
Shop Aftermarket Parts

Transportation Information

i07200040

Shipping the Machine

SMCS Code: 7000; 7500

WARNING

Automatic Engine Speed Control (AEC) will increase engine speed automatically when you operate the control levers and/or travel pedals with AEC switch on.

When loading and unloading the machine from the truck or working in close quarters always turn AEC switch off to prevent any possibility of sudden movement of machine, which could result in serious injury or death.

Set the travel speed control switch to LOW before loading the machine. Never operate this switch when loading the machine on a trailer.

Investigate the travel route for overpass clearances. Make sure that there will be adequate clearance for the machine.

Remove ice, snow, or other slippery material from the loading dock and from the truck bed before you load the machine onto the transport machine. Removing ice, snow, or other slippery material will help to prevent the machine from slipping in transit.

Note: Obey all laws that govern the characteristics of a load (height, weight, width, and length). Observe all regulations that govern wide loads.

Choose the flattest ground when you load the machine or when you unload the machine.

1. Before you load the machine, chock the trailer wheels or the rail car wheels.
2. When you use loading ramps, make sure that the loading ramps have adequate length, adequate width, adequate strength, and an adequate slope.
3. Maintain the slope of the loading ramps within 15 degrees of the ground.
4. Position the machine so that the machine can drive straight up the loading ramps. The final drives should be toward the rear of the machine. Do not operate the control levers while the machine is on the loading ramps.
5. When you drive over the loading ramp joint areas, maintain the balance point of the machine.
6. Lower the work tool to the bed or to the floor of the transport machine.

7. To prevent rolling of the machine or sudden movement of the machine, perform the following items:

- Chock both tracks.
- Install sufficient tie-downs at several locations.
- Fasten wire cables.

NOTICE

Do not allow the chrome surface of the bucket cylinder rod to touch any part of the trailer. Damage to the rod can occur from impact with the trailer during transport.

Note: Refer to Operation and Maintenance Manual, "Specifications".

Shipping a Machine that is not Completely Assembled

If the machine must be shipped when the boom, stick, or counterweight is not assembled on the machine, follow the instructions in Operation and Maintenance Manual, "Operation".

WARNING

The ROPS structural certification depends on the support of the boom, stick, and counterweight in the event of a machine tip over or a machine roll-over incident.

When the machine needs to be moved without the boom, stick, or counterweight being installed, avoid any machine operations which could affect machine stability as a machine tip over or a machine rollover incident could result in serious injury or death.

The machine should be operated slowly on flat, stable ground or pavement by qualified operators.

i03671893

Securing the Machine

SMCS Code: 7000

NOTICE

Never transport the machine with the engine running. If the fine swing control is left ON with the engine running, the swing parking brake will stay disengaged.

Comply with any laws that govern the characteristics of a load (length, width, height, and weight).

Operation Section
Securing the Machine

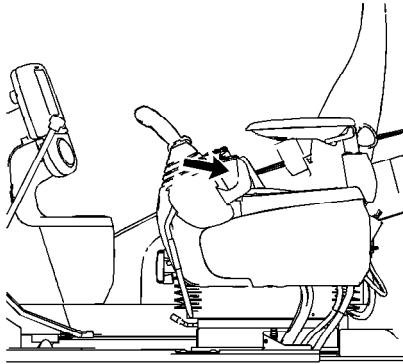


Illustration 259

g01075262

1. Move the hydraulic lockout control to the LOCKED position.
2. Turn the engine start switch to the OFF position in order to stop the engine. Remove the engine start switch key.
3. Turn the battery disconnect switch to the OFF position and remove the disconnect switch key.
4. Lock the door and the access covers. Attach any vandalism protection.
5. The Product Link antenna (if equipped) may be repositioned in order to meet the regulations regarding height of some locations. The Product Link antenna is located on top of the cab. Perform the following procedure in order to move the Product Link antenna to the transport position.

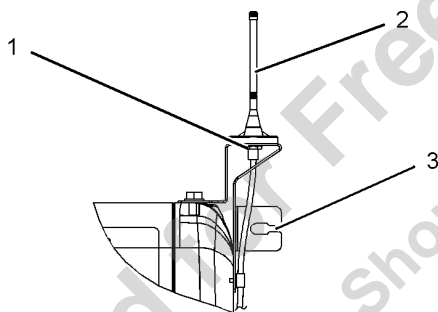


Illustration 260

g01438598

- a. Loosen nut (1).
- b. Remove antenna (2) and place the antenna in hole (3).
- c. Tighten nut (1).

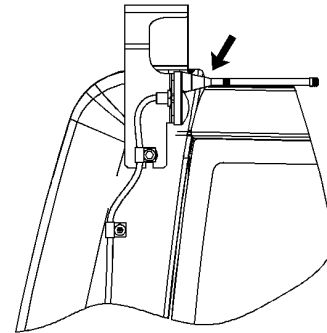


Illustration 261

g01438821

Antenna for Product Link in transport position

- d. Return the antenna to the operational position before operating the machine.

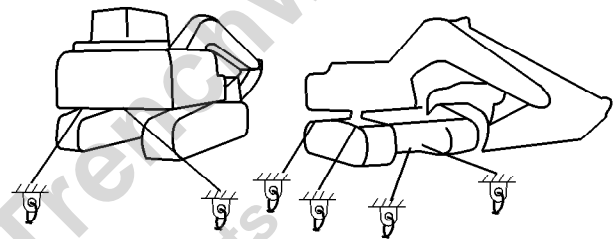


Illustration 262

g00102439

6. Chock the tracks and secure the machine with tie-downs. Make sure that you use the proper rated wire cable.

Use the front towing eyes on the lower frame, the rear towing eyes on the lower frame, and the rear towing eye that is on the upper frame.

Securely fasten all loose parts and all removed parts to the trailer or to the rail car.

When the engine is stopped, the swing parking brake is automatically applied. This prevents the upper structure from swinging.

NOTICE

In freezing weather, protect the cooling system with antifreeze, to the lowest outside expected temperature on the travel route. Or, drain the cooling system completely.

Transportation Hints for Machines that are Equipped with a Long Reach Configuration

For any additional information, refer to the Operation and Maintenance, "Securing the Machine".

i01438164

Mirror Installation

SMCS Code: 7319

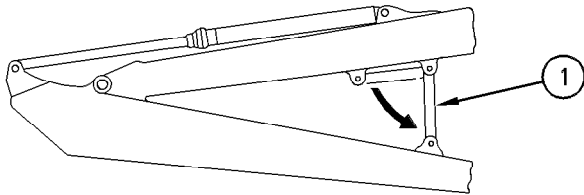


Illustration 263

g00109959

1. Extend the stick cylinder until the hole in stay (1) on the boom is in alignment with the hole in the stay bracket on the stick.
2. Use the bolt and the nuts to lock the stay. This will secure the stick to the boom.

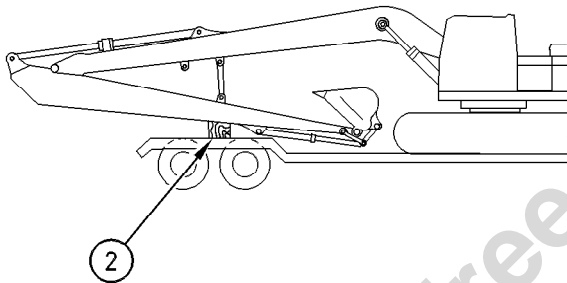


Illustration 264

g00109960

3. After the machine is loaded on a trailer, secure the tracks.
4. Secure the front units with wood block (2).

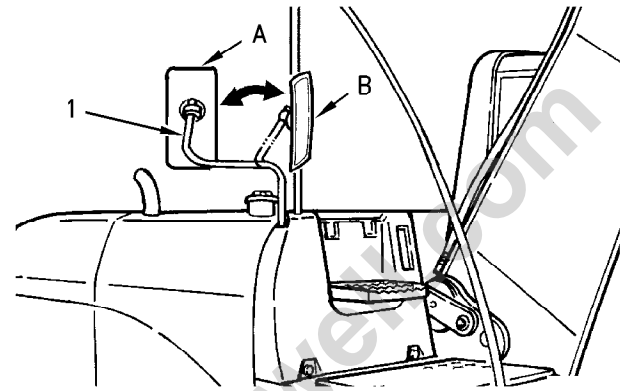


Illustration 265

g00683723

- (1) Bar
(A) Working position
(B) Position for transportation

Note: Before you transport the machine, move the rearview mirror inward.

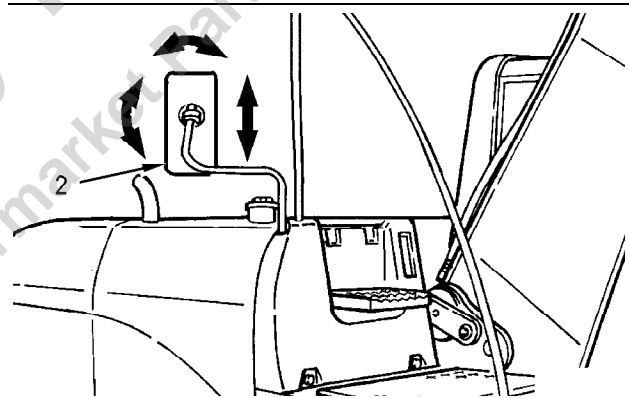


Illustration 266

g00683724

- (2) Rearview mirror

After you transport the machine, return the rearview mirror to the proper position.

i03998268

Lifting and Tying Down the Machine

SMCS Code: 7000; 7500

Preferred Method

Spreader Bar

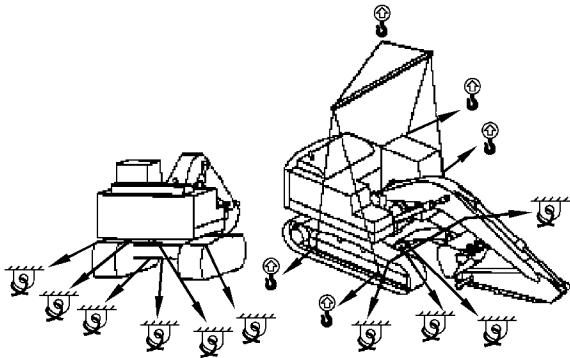


Illustration 267

g02175782

⚠ WARNING

Improper lifting and improper tie-downs can allow the load to shift or fail and cause injury or damage. Use only properly rated cables and slings with lift and tie down points provided.

Follow the instructions in Operation and Maintenance Manual, "Lifting and Tying Down the Machine" for the proper technique for securing the machine. Refer to Operation and Maintenance Manual, "Specifications" for specific weight information.

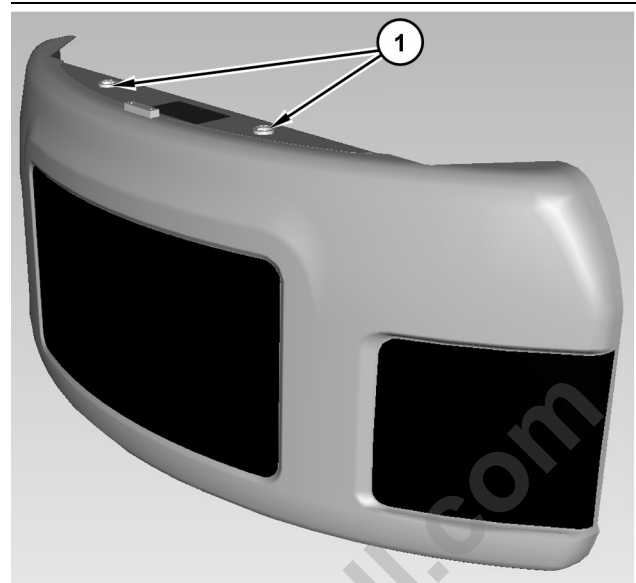


Illustration 268

g02161694

This lifting method is the preferred method to be used for all machines. This method is the only method acceptable on machines that are equipped with threaded bosses (1) located on the counterweight.

Note: The threaded bosses must only be used to remove the counterweight. These bosses will not support the weight of the machine.

Note: The shipping weight that is listed is the weight of the most common configuration of the machine. If attachments have been installed on your machine, the weight of your machine and the center of gravity of your machine may vary.

Refer to the Operation and Maintenance Manual, "Specifications" for specific weight information.

1. Use correctly rated cables and slings for lifting. The crane should be positioned so that the machine is lifted parallel to the ground.
2. To prevent contact with the machine, lifting cables should have sufficient length.
3. The width of the spreader bar and the strength of the spreader bar should be sufficient to prevent contact with the machine.

When the wire cables are lifted, the wire cables should slide to front track rollers and to the rear track rollers.

4. Move the lever for the hydraulic lockout control to the LOCKED position.

Note: Never use the step as a lifting point for lifting the machine.

Additional Method (If Equipped)

Rear Eyes and Front Eyes

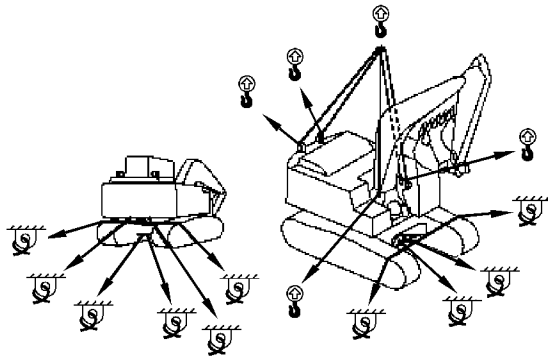


Illustration 269

g02175805

WARNING

Improper lifting and improper tie-downs can allow the load to shift or fail and cause injury or damage. Use only properly rated cables and slings with lift and tie down points provided.

Follow the instructions in Operation and Maintenance Manual, "Lifting and Tying Down the Machine" for the proper technique for securing the machine. Refer to Operation and Maintenance Manual, "Specifications" for specific weight information.

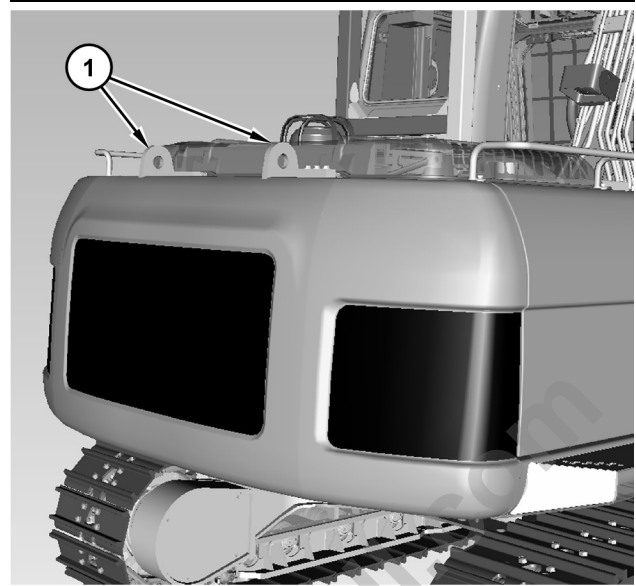


Illustration 270

g02161689

This lifting method can only be used as an alternative on machines that are equipped with lifting eyes (1) located on the counterweight.

Note: The shipping weight that is listed is the weight of the most common configuration of the machine. If attachments have been installed on your machine, the weight of your machine and the center of gravity of your machine may vary.

Refer to the Operation and Maintenance, "Specifications" for specific weight information.

1. Use proper rated cables and slings for lifting. The crane should be positioned so that the machine is lifted parallel to the ground.
2. To prevent contact with the machine, lifting cables should have sufficient length.
3. Use the rear eyes and the front eyes that are provided on the lower frame to fasten tie-downs. Use corner protectors for sharp corners.

4. Move the hydraulic lockout control to the LOCKED position.

Lifting the Machine Segments

Bucket

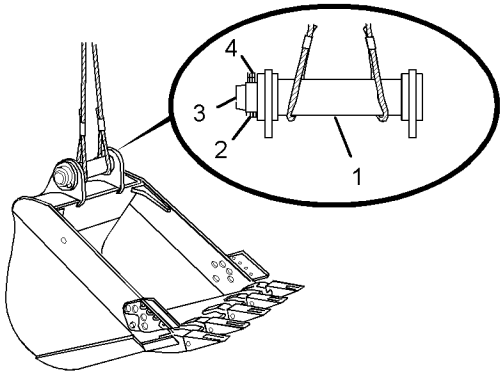


Illustration 271

g01587173

- (1) Sleeve
- (2) Bolts
- (3) Pin
- (4) Nuts

Install pin (3) and install sleeve (1) in the brackets of the bucket. The previous illustration indicates the method to secure pin (3) with bolts (2) and nuts (4). Fasten two proper rated wire cables to pin (3).

Note: Never use the step as a lifting point for lifting the machine.

Towing Information

i05662590

Towing the Machine

SMCS Code: 7000

WARNING

Personal injury or death could result when towing a disabled machine incorrectly.

Block the machine to prevent movement before final drives are disengaged. The machine can roll free if it is not blocked. With final drives disengaged, the machine cannot be stopped or steered.

Follow the recommendations below, to properly perform the towing procedure.

Relieve the hydraulic tank and line pressure before any disassembly.

Even after the machine has been turned off, the hydraulic oil can still be hot enough to burn. Allow the hydraulic oil to cool before draining.

NOTICE

To tow the machine, both final drives must be disengaged.

Do not operate the travel motors with the final drives disengaged. Damage could result.

These towing instructions are for moving a disabled machine for a short distance at low speed. Move the machine at a speed of 2 km/h (1.2 mph) or less to a convenient location for repair. Always haul the machine if long distance moving is required.

Shields must be provided on both machines. This will protect the operator if the tow line or the tow bar breaks.

Do not allow an operator to be on the machine that is being towed.

Before you tow the machine, make sure that the tow line or the tow bar is in good condition. Do not use a wire rope that is kinked, twisted, or damaged. Make sure that the tow line or the tow bar has enough strength for the towing procedure that is involved. The strength of the tow line or of the tow bar should be at least 150 percent of the gross weight of the towed machine. This requirement is for a disabled machine that is stuck in the mud and for being towed on a grade.

Do not use a chain for pulling a disabled machine. A chain link can break. This may cause personal injury. Use a wire rope with ends that have loops or rings. Put an observer in a safe position in order to watch the pulling procedure. The observer can stop the procedure if the wire rope starts to break. Stop pulling whenever the towing machine moves without moving the towed machine.

During towing, do not allow anyone to step between the towing and the towed machines.

Do not allow the wire rope to be straddled while the machine is being towed.

Keep the tow line angle to a minimum. Do not exceed a 30 degree angle from the straight ahead position.

Avoid towing the machine on a slope.

Quick machine movement could overload the tow line or the tow bar. This could cause the tow line or the tow bar to break. Gradual, steady machine movement will be more effective.

Prior to releasing the brake of the final drive, firmly lock both tracks in order to prevent the machine from moving suddenly. When the machine is ready to be towed, release the brake of the final drive. Refer to Operation and Maintenance Manual, "Final Drive Ring Gear Removal".

Normally, the towing machine should be as large as the disabled machine. Make sure that the towing machine has enough brake capacity, enough weight, and enough power. The towing machine must be able to control both machines for the grade that is involved and for the distance that is involved.

You must provide sufficient control and sufficient braking when you are moving a disabled machine downhill. This may require a larger towing machine or additional machines that are connected to the rear of the disabled machine. This will prevent the machine from rolling away out of control.

All situation requirements cannot be listed. Minimal towing machine capacity is required on smooth, level surfaces. Maximum towing machine capacity is required on an incline or on a surface that is in poor condition.

Do not tow a loaded machine.

Consult your Cat dealer for the equipment that is necessary for towing a disabled machine.

Retrieval and Towing of Machine

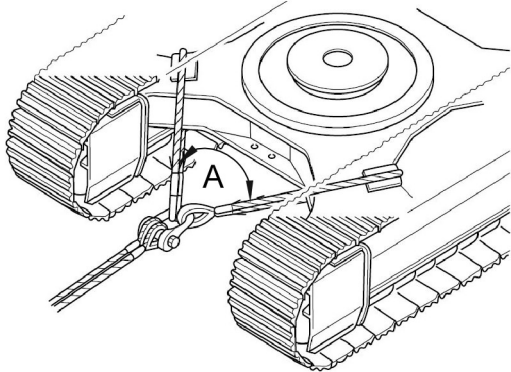


Illustration 272

g02533437

Note: Shackles must be used for towing the machine. The wire rope should be horizontal and straight to the track frame.

Install a properly rated wire rope to the lower frame of the towing machine and the lower frame of the towed machine. The permissible force for the lower frame is 100 percent of the gross weight of the towed machine.

Note: In order to prevent damage to the wire rope or the lower frame of the machines, use protective sleeves on the corners of the lower frame.

Retrieve the disabled machine carefully. The applied load for each wire rope should be equal. The angle (A) between each wire rope should be 60 degree maximum. Operate the machine at a low speed.

Lightweight Towing

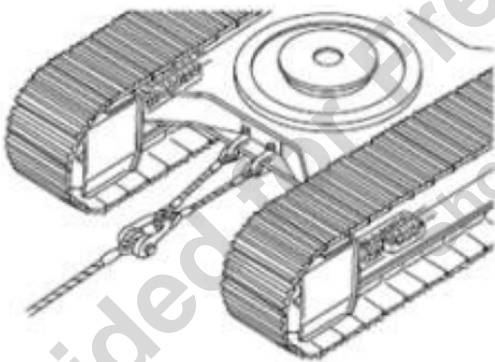


Illustration 273

g03589894

The maximum load for lightweight towing is 57000 N·m (42041 lb ft).

Shackles must be used for towing the machine. The wire rope should be horizontal and straight to the track frame.

Install a properly rated wire rope to the lower frame of the towing machine and the lower frame of the towed machine. Operate the machine at a low speed.

i02359491

Final Drive Ring Gear Removal

SMCS Code: 4050

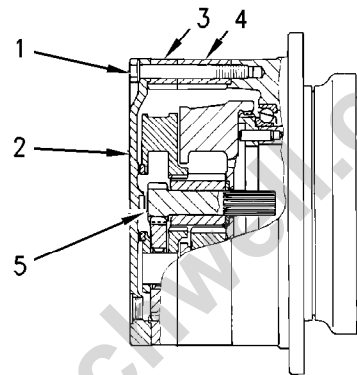


Illustration 274

g01178742

- (1) Bolt
- (2) Final drive cover
- (3) Ring gear
- (4) Ring gear
- (5) Sun gear

⚠ WARNING

Without the ring gear in place, the brakes are ineffective. Personal injury or death could result. Provide other means to hold or stop the machine.

1. Thoroughly clean the area around the final drive. Make sure that you also clean the track shoes that are positioned above the final drive.

Note: Refer to Operation and Maintenance Manual, "General Hazard Information" for information that pertains to Containing Fluid Spillage.

2. Drain the final drive oil into a suitable container. See Operation and Maintenance Manual, "Final Drive Oil - Change" for the procedure.
3. Remove fourteen of sixteen cover bolts (1) from final drive cover (2). Do not leave a bolt in the top hole of the cover.

4. Insert an alignment dowel through the top hole of the cover and into the threads in the final drive housing. This is necessary in order to support ring gear (3) and ring gear (4) while you are removing the final drive cover.
5. Remove one track shoe in order to allow access to the face between final drive cover (2) and ring gear (3).
6. Loosen remaining two cover bolts (1).
7. Use a hammer and a wedge to separate final drive cover (2) and ring gear (3). Make sure that ring gear (3) and ring gear (4) stays in place.
8. Remove remaining two cover bolts (1) and final drive cover (2).
9. Remove sun gear (5) from final drive.
10. Install final drive cover (2) and all sixteen cover bolts (1).
11. Fill the final drive with new oil. See Operation and Maintenance Manual, "Final Drive Oil - Change" for the procedure.
12. Repeat steps 1 through 11 for the other final drive.
13. Refer to the Service Manual for information on the installation of the final drive ring gear.

Provided for Free by Trenchwell.com
Shop Aftermarket Parts

Engine Starting (Alternate Methods)

i05974849

Engine Starting with Jump Start Cables (If Equipped)

SMCS Code: 1000; 7000

WARNING

Failure to properly service the batteries may cause personal injury.

Prevent sparks near the batteries. They could cause vapors to explode. Do not allow the jump start cable ends to contact each other or the machine.

Do not smoke when checking battery electrolyte levels.

Electrolyte is an acid and can cause personal injury if it contacts skin or eyes.

Always wear eye protection when starting a machine with jump start cables.

Improper jump start procedures can cause an explosion resulting in personal injury.

Always connect the battery positive (+) to battery positive (+) and the battery negative (-) to battery negative (-).

Jump start only with an energy source with the same voltage as the stalled machine.

Turn off all lights and accessories on the stalled machine. Otherwise, they will operate when the energy source is connected.

NOTICE

To prevent damage to engine bearings and to electrical circuits when you jump-start a machine, do not allow the stalled machine to touch the machine that is used as the electrical source.

Turn on (close) the battery disconnect switch prior to the boost connection to prevent damage to electrical components on the stalled machine.

Use only equal voltage for starting. Check the battery and starter voltage rating of your machine. Use only the same voltage for jump starting. Use of a welder or higher voltage will damage the electrical system.

Severely discharged maintenance free batteries do not fully recharge from the alternator after jump starting. The batteries must be charged to proper voltage with a battery charger. Many batteries thought to be unusable are still rechargeable.

Refer to Special Instruction, SEHS7633, "Battery Test Procedure" for complete testing and charging information. This publication is available from your Cat dealer.

When the auxiliary start receptacles are not available, use the following procedure.

1. Lower the equipment to the ground. Move all controls to the HOLD position. Move the hydraulic lockout control to the LOCKED position.
2. Turn the start switch on the stalled machine to the OFF position. Turn off all accessories.
3. Turn the battery disconnect switch on the stalled machine to the ON position.
4. Move the machine that is being used as an electrical source near the stalled machine so that the jump-start cables reach the stalled machine.
Do not allow the machines to contact each other.
5. Stop the engine of the machine that is being used as an electrical source. If you are using an auxiliary power source, turn off the charging system.
6. Ensure that battery caps on both machines are tight and correctly placed. Ensure that batteries in the stalled machine are not frozen. Make sure that the batteries have enough electrolyte.

Note: The positive terminal of the 24 V system of the source and the negative terminal of the 24 V system of the source must be identified correctly before the jumper cables are connected. The positive terminal of the 24 V system of the discharged battery must be identified correctly before the jumper cables are connected.

7. The positive ends of the jump-start cable are red. Connect one positive end of the jump-start cable to the positive cable terminal of the discharged battery. Some machines have battery sets.

Note: Batteries that are in series may be in separate compartments. Use the terminal that is connected to the starter solenoid. This battery or battery set is normally on the same side of the machine as the starter.

Do not allow the positive cable clamps to contact any metal except for the battery terminals.

11. Start the engine of the machine that is being used as an electrical source or energize the charging system on the auxiliary power source.
12. Wait at least two minutes before you attempt to start the stalled machine. This will allow the batteries in the stalled machine to partially charge.
13. Attempt to start the stalled engine. See Operation and Maintenance Manual, "Engine Starting" for the correct starting procedure.
14. Immediately after you start the stalled engine, disconnect the jump-start cables in reverse order.

i06697121

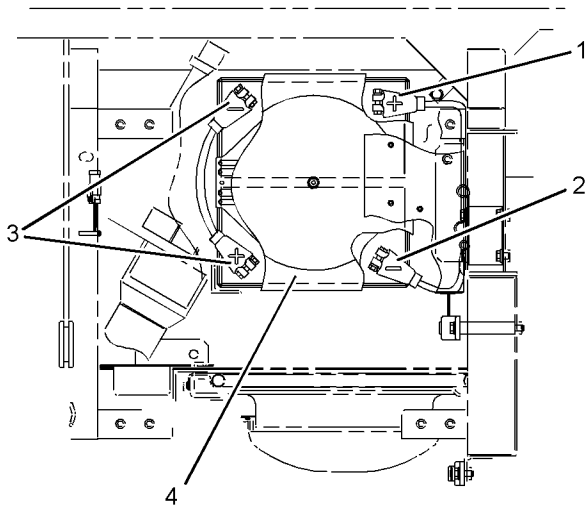


Illustration 275

g01226420

Typical example of the location of the batteries in an excavator

- (1) Red positive post to starter
 (2) The black negative post connects to the battery disconnect switch.
 (3) Do not use these two connections for jump starting. The red positive post is connected in series to the black negative post.
 (4) Cover
8. Connect the other positive end of the jump-start cable to the positive cable terminal of the electrical source.
9. Connect one negative end of the jump-start cable to the negative cable terminal of the electrical source.
10. Finally, connect the other negative end of the jump-start cable to the frame of the stalled machine. Do not connect the jump-start cable to the battery post. Do not allow the jump-start cables to contact the battery cables, the fuel lines, the hydraulic lines, or any moving parts.

Engine Starting with Auxiliary Start Receptacle (If Equipped)

SMCS Code: 1000; 7000

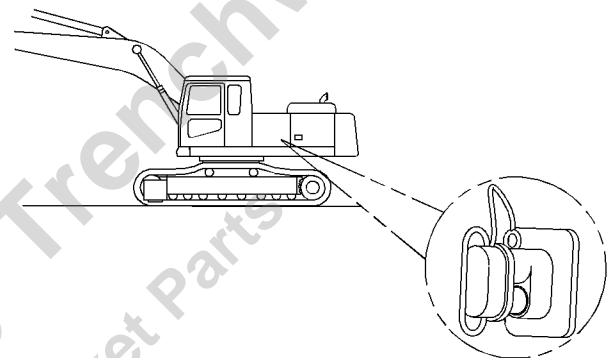


Illustration 276

g01122769

Typical location

Some Caterpillar products may be equipped with an auxiliary start receptacle as a standard part. If your machine is not equipped with an auxiliary start receptacle, the machine can be equipped with an auxiliary start receptacle from parts service. This will ensure that a permanent receptacle is always available to jump-start the machine.

There are two cable assemblies that can be used to jump-start the stalled machine. You can jump-start the stalled machine from another machine that is equipped with an auxiliary start receptacle or with an auxiliary power pack. Your Caterpillar dealer can provide the correct cable lengths for your application.

1. Determine the reason that the engine will not start.

Reference: Refer to Special Instruction, SEHS7633, "Battery Test Procedure" for more information.

Operation Section
If Equipped

2. Ensure that the travel control levers on the stalled machine are in the CENTER position. Engage the hydraulic lockout control. Lower all work tools to the ground. Move all controls to HOLD.
3. Turn the engine start switch key on the stalled machine to the OFF position. Turn off all accessories.
4. Turn the battery disconnect switch on the stalled machine to ON.
5. Move the machine that is being used as a power source close to the stalled machine. The jump-start cables should reach the batteries on both machines. **DO NOT ALLOW THE MACHINES TO CONTACT EACH OTHER.**
6. Stop the engine on the machine that is being used as a power source. If you use an auxiliary power source, turn off the charging system.
7. Connect the appropriate jump-start cable to the auxiliary start receptacle on the stalled machine.
8. Connect the other end of the jump-start cable to the auxiliary start receptacle of the machine that is being used as a power source.
9. Start the engine on the machine that is being used as a power source or energize the charging system on the auxiliary power source.
10. Wait for a minimum of 2 minutes while the batteries in the stalled machine partially charge.
11. Attempt to start the stalled engine.
12. Immediately after the stalled engine starts, disconnect the jump-start cable from the power source.
13. Disconnect the other end of the jump-start cable from the stalled machine.
14. Conclude the failure analysis on the starting charging system of the stalled machine, as required. Check the machine while the engine is running and the charging system is in operation.

Maintenance Section

Maintenance Access

i01440847

Access Door and Cover Locations

SMCS Code: 726A-CH

Engine Hood

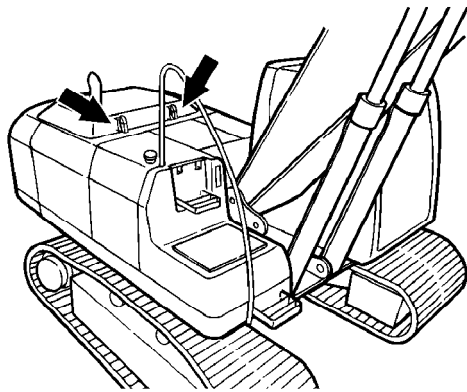


Illustration 277

g00754693

Left Rear Access Door

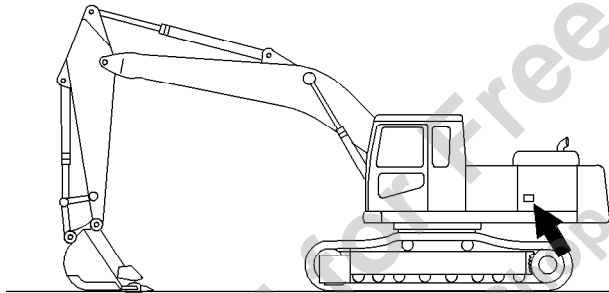


Illustration 278

g00101813

Left Front Access Door

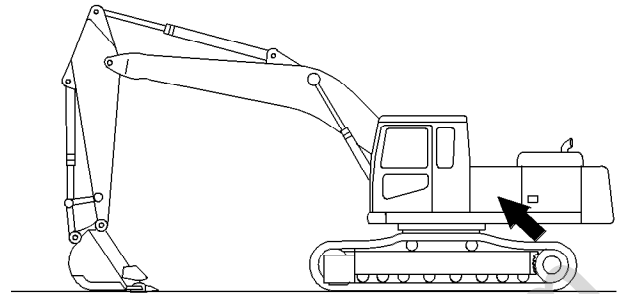


Illustration 279

g00101423

Right Access Door

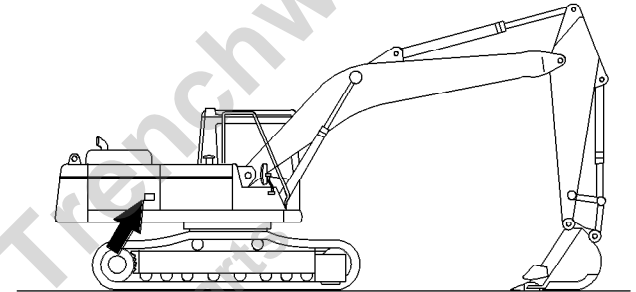


Illustration 280

g00101497

Provided Free by Trenchwell.com
Spare Aftermarket Parts

Lubricant Viscosities and Refill Capacities

i07279193

Lubricant Viscosities (Fluids Recommendations)

SMCS Code: 7581

General Information for Lubricants

When you are operating the machine in temperatures below -20°C (-4°F), refer to Special Publication, SEBU5898, "Cold Weather Recommendations". This publication is available from your Cat dealer.

Refer to the "Lubricant Information" section in the latest revision of the Special Publication, SEBU6250, "Caterpillar Machine Fluids Recommendations" for a list of Cat engine oils and for detailed information. This manual may be found on the web at Safety.Cat.com.

The footnotes are a key part of the tables. Read ALL footnotes that pertain to the machine compartment in question.

Selecting the Viscosity

To select the proper oil for each machine compartment, refer to the "Lubricant Viscosity for Ambient Temperature" table. Use the oil type AND oil viscosity for the specific compartment at the proper ambient temperature.

The proper oil viscosity grade is determined by the minimum ambient temperature (the air in the immediate vicinity of the machine). Measure the temperature when the machine is started and while the machine is operated. To determine the proper oil viscosity grade, refer to the "Min" column in the table. This information reflects the coldest ambient temperature condition for starting a cold machine and for operating a cold machine. Refer to the "Max" column in the table for operating the machine at the highest temperature that is anticipated. Unless specified otherwise in the "Lubricant Viscosities for Ambient Temperatures" tables, use the highest oil viscosity that is allowed for the ambient temperature.

Machines that are operated continuously should use oils that have the higher oil viscosity. The oils that have the higher oil viscosity will maintain the highest possible oil film thickness. Refer to "General Information for Lubricants" article, "Lubricant Viscosities" tables, and any associated footnotes. Consult your Cat dealer if additional information is needed.

NOTICE

Not following the recommendations found in this manual can lead to reduced performance and compartment failure.

Engine Oil

Cat oils have been developed and tested in order to provide the full performance and life that has been designed and built into Cat engines.

Cat DEO-ULS multigrade and Cat DEO multigrade oils are formulated with the correct amounts of detergents, dispersants, and alkalinity in order to provide superior performance in Cat diesel engines where recommended for use.

Note: SAE 10W-30 is the preferred viscosity grade for the 3116, 3126, C7, C-9, and C9 diesel engines when the ambient temperature is between -18°C (0°F) and 40°C (104°F).

Table 161

Lubricant Viscosities for Ambient Temperatures						
Compartment or System	Oil Type and Performance Requirements	Oil Viscosities	°C		°F	
			Min	Max	Min	Max
Engine Crankcase	Cat DEO-ULS Cold Weather	SAE 0W-40	-40	40	-40	104
	Cat DEO-ULS SYN Cat DEO SYN	SAE 5W-40	-30	50	-22	122
	Cat DEO-ULS Cat DEO	SAE 10W-30	-18	40	0	104
	Cat DEO-ULS Cat DEO	SAE 15W-40	-9.5	50	15	122
Pump Coupling (If Equipped)	Cat DEO-ULS Cat DEO	SAE 10W-30	-18	40	0	104

Note: API engine oil categories are backwards compatible. Cat DEO-ULS (API CK-4) oil can be used in all engines with some restrictions related to fuel sulfur level. Cat DEO (API CI-4/API CI-4 PLUS) can be used in engines that are Tier 3 emissions certified and prior, and in engines that do not use aftertreatment devices.

Hydraulic Systems

Refer to the "Lubricant Information" section in the latest revision of the Special Publication, SEBU6250, "Caterpillar Machine Fluids Recommendations" for detailed information. This manual may be found on the web at Safety.Cat.com.

The following are the preferred oils for use in most Cat machine hydraulic systems:

- Cat HYDO Advanced 10 SAE 10W
- Cat HYDO Advanced 30 SAE 30W
- Cat BIO HYDO Advanced

Cat HYDO Advanced oils allow 6000 hours or higher oil drain intervals for most applications. S·O·S Services oil analysis is recommended when the oil drain interval is increased to 6000 hours or higher. In comparison, non-Cat commercial hydraulic oils (second choice oils) allow 2000 hours oil drain interval. It is recommended to follow the maintenance interval schedule for oil filter changes and for oil sampling that is stated in the Operation and Maintenance Manual for your particular machine. Consult your Cat dealer for details. When switching to Cat HYDO Advanced fluids, cross contamination with the previous oil should be kept to less than 10%.

Second choice oils are listed below.

- Cat MTO
- Cat DEO
- Cat DEO-ULS

- Cat TDTO
- Cat TDTO Cold Weather
- Cat TDTO-TMS
- Cat DEO-ULS SYN
- Cat DEO SYN
- Cat DEO-ULS Cold Weather

Note: Oil drain intervals of the oils listed above are less than those of Cat HYDO Advanced oils. The oil drain interval of these oils is typically 2000 hours and up to a maximum of 4000 hours. An exception is Cat TDTO Cold Weather oil which allows 6000 hours or higher oil drain interval. S·O·S Services oil analysis is required when the oils listed above are used in Cat hydraulic system components and hydrostatic transmissions.

Maintenance Section
Fluids Recommendations

Table 162

Lubricant Viscosities for Ambient Temperatures						
Compartment or System	Oil Type and Performance Requirements	Oil Viscosities	°C		°F	
			Min	Max	Min	Max
Hydraulic System	Cat HYDO Advanced 10 Cat TDTO	SAE 10W	-20	40	-4	104
	Cat HYDO Advanced 30 Cat TDTO	SAE 30	10	50	50	122
	Cat BIO HYDO Advanced	"ISO 46" Multi-Grade	-30	50	-22	122
	Cat MTO Cat DEO-ULS Cat DEO	SAE10W-30	-20	40	-4	104
	Cat DEO-ULS Cat DEO	SAE15W-40	-15	50	5	122
	Cat TDTO-TMS	Multi-Grade	-15	50	5	122
	Cat DEO-ULS SYN Cat DEO SYN	SAE 5W-40	-30	40	-22	104
	Cat DEO-ULS Cold Weather	SAE0W-40	-40	40	-40	104
	Cat TDTO Cold Weather	SAE 0W-20	-40	40	-40	104

Other Fluid Applications

Table 163

Excavators, Front Shovels, Mass Excavators, Demolition Excavators, and Track Material Handlers Lubricant Viscosities for Ambient Temperatures						
Compartment or System	Oil Type and Performance Requirements	Oil Viscosity Grade	°C		°F	
			Min	Max	Min	Max
Final Drives and Swing Drives	Cat TDTO Cat TDTO-TMS Cat TDTO SYN Cold Weather commercial TO-4	SAE 0W-20	-40	0	-40	32
		SAE 0W-30	-40	10	-40	50
		SAE 5W-30	-30	10	-22	50
		SAE 10W	-30	0	-22	32
		SAE 30	-25	25	-13	77
		SAE 50	-15	50	5	122
		Cat TDTO-TMS	-30	25	-22	77
Track Roller Frame Recoil Spring and Pivot Shaft Bearings	Cat TDTO Cat TDTO-TMS Cat TDTO SYN Cold Weather commercial TO-4	SAE 0W-20	-40	0	-40	32
		SAE 0W-30	-40	10	-40	50
		SAE 5W-30	-35	0	-31	32
		SAE 10W	-30	0	-22	32
		SAE 30	-20	25	-4	77
		SAE 40	-10	40	14	104
		SAE 50	0	50	32	122
		Cat TDTO-TMS	-25	25	-13	77

(continued)

(Table 163, contd)

Excavators, Front Shovels, Mass Excavators, Demolition Excavators, and Track Material Handlers Lubricant Viscosities for Ambient Temperatures						
Compartment or System	Oil Type and Performance Requirements	Oil Viscosity Grade	°C		°F	
			Min	Max	Min	Max
Track Idlers and Track Rollers	Cat DEO (single grade) Cat DEO SYN	SAE 30	-20	25	-4	77
	Cat DEO-ULS SYN Cat ECF-1-a Cat ECF-2 Cat ECF-3 API CF	SAE 5W-40	-35	40	-31	104

Table 164

Excavators, Front Shovels, Mass Excavators, Demolition Excavators, and Track Material Handlers Lubricant Viscosities for Ambient Temperatures						
Compartment or System	Oil Type and Performance Requirements	Oil Viscosity Grade	°C		°F	
			Min	Max	Min	Max
Variable Pitch Flexxaire Fan (If Equipped)	Cat Full Synthetic Multi-grade DEO commercial Full Synthetic Multigrade Diesel Engine Oil meeting either Cat ECF-1 or API CG-4	SAE 0W40 ⁽¹⁾	-40	50	-40	122
		SAE 5W40 ⁽¹⁾	-40	50	-40	122
	Caterpillar Non-Synthetic TO-4	SAE 30 ⁽²⁾	-15	25	-5	77
		SAE 50 ⁽²⁾	-10	50	14	122

(1) This is the first choice. Full synthetic oils are recommended. Synthetic oils may provide longer service life for the fan. Synthetic oils allow for increased service intervals over non-synthetic oils.

(2) This is the second choice. Caterpillar TDTO is acceptable. Commercial oils that meet the TO-4 specification are also acceptable. TDTO is non-synthetic. Commercial TO-4 oils are typically non-synthetic.

Special Lubricants

Grease

To use a non-Cat grease, the supplier must certify that the lubricant is compatible with Cat grease.

Each pin joint should be flushed with the new grease. Ensure that all old grease is removed. Failure to meet this requirement may lead to failure of a pin joint.

Table 165

Recommended Grease						
Compartment or System	Grease Type	NLGI Grade	°C		°F	
			Min	Max	Min	Max
External Lubrication Points	Cat Prime Application Grease	NLGI Grade 2	-20	140	-4	284
	Cat Extreme Application Grease	NLGI Grade 1	-20	140	-4	284
		NLGI Grade 2	-15	140	+5	284

(continued)

(Table 165, contd)

Recommended Grease						
Compartment or System	Grease Type	NLGI Grade	°C		°F	
			Min	Max	Min	Max
	Cat Extreme Application Grease-Artic	NLGI Grade 0.5	-50	130	-58	266
	Cat Extreme Application Grease-Desert	NLGI Grade 2	-10	140	+14	284
	Cat Utility Grease	NLGI Grade 2	-20	140	-4	284
	Cat Ball Bearing Grease	NLGI Grade 2	-20	160	-4	320

Grease for the Autolube System (if Equipped)

The grease used with the automatic lubrication system must not contain any graphite or PTFE.

Note: Pumpability is based on “US Steel Mobility and Lincoln Ventmeter Tests”. Performance may vary depending on lubrication equipment and the length of the lines.

Reference: Refer to Special Publication, SEBU6250, “Caterpillar Machine Fluids Recommendations” for additional information about grease. This manual may be found on the web at Safety.Cat.com.

Table 166

Recommended Grease for the Autolube System						
Compartment or System	Grease Type	NLGI Grade	°C		°F	
			Min	Max	Min	Max
Cat Autolube System	Cat Extreme Application Grease	NLGI Grade 1	-35	40	-31	104
		NLGI Grade 2	-30	50	-22	122

Diesel Fuel Recommendations

Diesel fuel must meet “Caterpillar Specification for Distillate Fuel” and the latest versions of “ASTM D975” or “EN 590” to ensure optimum engine performance. Refer to Special Publication, SEBU6250, “Caterpillar Machine Fluids Recommendations” for the latest fuel information and for Cat fuel specification. This manual may be found on the web at Safety.Cat.com.

The preferred fuels are distillate fuels. These fuels are commonly called diesel fuel, furnace oil, gas oil, or kerosene. These fuels must meet the “Caterpillar Specification for Distillate Diesel Fuel for Off-Highway Diesel Engines”. Diesel Fuels that meet the Caterpillar specification will help provide maximum engine service life and performance.

Misfueling with fuels of high sulfur level can have the following negative effects:

- Reduce engine efficiency and durability

- Increase the wear
- Increase the corrosion
- Increase the deposits
- Lower fuel economy
- Shorten the time period between oil drain intervals (more frequent oil drain intervals)
- Increase overall operating costs
- Negatively impact engine emissions

Failures that result from the use of improper fuels are not Caterpillar factory defects. Therefore the cost of repairs would not be covered by a Caterpillar warranty.

Caterpillar does not require the use of ULSD in off road and machine applications that are not Tier 4/ Stage IIIB certified engines. ULSD is not required in engines that are not equipped with after treatment devices.

Follow operating instructions and fuel tank inlet labels, if available, to ensure that the correct fuels are used.

Refer to Special Publication, SEBU6250, "Caterpillar Machine Fluids Recommendations" for more details about fuels and lubricants. This manual may be found on the web at Safety.Cat.com.

Fuel Additives

Cat Diesel Fuel Conditioner and Cat Fuel System Cleaner are available for use when needed. These products are applicable to diesel and biodiesel fuels. Consult your Cat dealer for availability.

Biodiesel

Biodiesel is a fuel that can be made from various renewable resources that include vegetable oils, animal fat, and waste cooking oil. Soybean oil and rapeseed oil are the primary vegetable oil sources. To use any of these oils or fats as fuel, the oils or fats are chemically processed (esterified). The water and contaminants are removed.

U.S. distillate diesel fuel specification "ASTM D975-09a" includes up to B5 (5 percent) biodiesel. Currently, any diesel fuel in the U.S. may contain up to B5 biodiesel fuel.

European distillate diesel fuel specification "EN 590" includes up to B5 (5 percent) and in some regions up to B7 (7 percent) biodiesel. Any diesel fuel in Europe may contain up to B5 or in some regions up to B7 biodiesel fuel.

When biodiesel fuel is used, certain guidelines must be followed. Biodiesel fuel can influence the engine oil, aftertreatment devices, non-metallic, fuel system components, and others. Biodiesel fuel has limited storage life and has limited oxidation stability. Follow the guidelines and requirements for engines that are seasonally operated and for standby power generation engines.

To reduce the risks associated with the use of biodiesel, the final biodiesel blend and the biodiesel fuel used must meet specific blending requirements.

Capacities (Refill)

SMCS Code: 1000; 7000

All the guidelines and requirements are provided in the latest revision of Special Publication, SEBU6250, "Caterpillar Machine Fluids Recommendations". This manual may be found on the web at Safety.Cat.com.

Coolant Information

The information provided in this "Coolant Recommendation" section should be used with the "Lubricants Information" provided in the latest revision of Special Publication, SEBU6250, "Caterpillar Machine Fluids Recommendations". This manual may be found on the web at Safety.Cat.com.

The following two types of coolants may be used in Cat diesel engines:

Preferred – Cat ELC (Extended Life Coolant)

Acceptable – Cat DEAC (Diesel Engine Antifreeze/ Coolant)

NOTICE

Never use water alone as a coolant. Water alone is corrosive at engine operating temperatures. In addition, water alone does not provide adequate protection against boiling or freezing.

Table 167

Approximate Capacities (Refill)				
Component or System	Liters	US gal	Imp gal	Recommended Type
Cooling System	25	7	6	Cat ELC (Extended Life Coolant)
Coolant Reservoir	1.5	0.4	0.3	
Fuel Tank	410	108	90	No. 1 Diesel Fuel or No. 2 Diesel Fuel
Fuel Tank (320D LN)	310	81.9	68.2	
Optional Fuel Tank (Right Front Corner)	410	108	90	
Engine Crankcase with Filter	30	7.9	6.6	Refer to Operation and Maintenance Manual, "Lubricant Viscosities".
Hydraulic System ⁽¹⁾	138	37	30	
Swing Drive	8	2	1.76	
Each Final Drive	8	2	1.76	
Swing Gear	22	6	5	Multipurpose Lithium Grease NLGI Grade 2

⁽¹⁾ The amount of hydraulic fluid that is needed to refill the hydraulic system after performing Operation and Maintenance Manual, "Hydraulic System Oil - Change"

i07445339

S·O·S Information

SMCS Code: 1000; 1348; 3080; 4050; 5050; 7000; 7542-008

S·O·S Services is a highly recommended process for Cat customers to use in order to minimize owning and operating cost. Customers provide oil samples, coolant samples, and other machine information. The dealer uses the data in order to provide the customer with recommendations for management of the equipment. In addition, S·O·S Services can help determine the cause of an existing product problem.

Refer to Special Publication, SEBU6250, "Caterpillar Machine Fluid Recommendations" for detailed information concerning S·O·S Services.

The effectiveness of S·O·S Services is dependent on timely submission of the sample to the laboratory at recommended intervals.

Refer to the Operation and Maintenance Manual, "Maintenance Interval Schedule" for a specific sampling location and a service hour maintenance interval.

Consult your Cat dealer for complete information and assistance in establishing an S·O·S program for your equipment.

Maintenance Support

i04037490

Service Interval Chart

SMCS Code: 7000

S/N: JPD1-Up
S/N: A6F1-Up
S/N: A8F1-Up
S/N: A9F1-Up
S/N: KGF1-Up
S/N: KTF1-Up
S/N: MCH1-Up
S/N: TDH1-Up
S/N: FAL1-Up
S/N: KLM1-Up
S/N: PCM1-Up
S/N: SPN1-Up
S/N: WBN1-Up
S/N: BZP1-Up
S/N: GDP1-Up
S/N: PCX1-Up
S/N: PHX1-Up

If equipped, the service interval chart is located on the cab door.

Refer to this Operation and Maintenance Manual, "Maintenance Interval Schedule" for the correct maintenance intervals and procedures that are specific to your machine.

Provided for Free by Trenchwell.com
Shop Aftermarket Parts

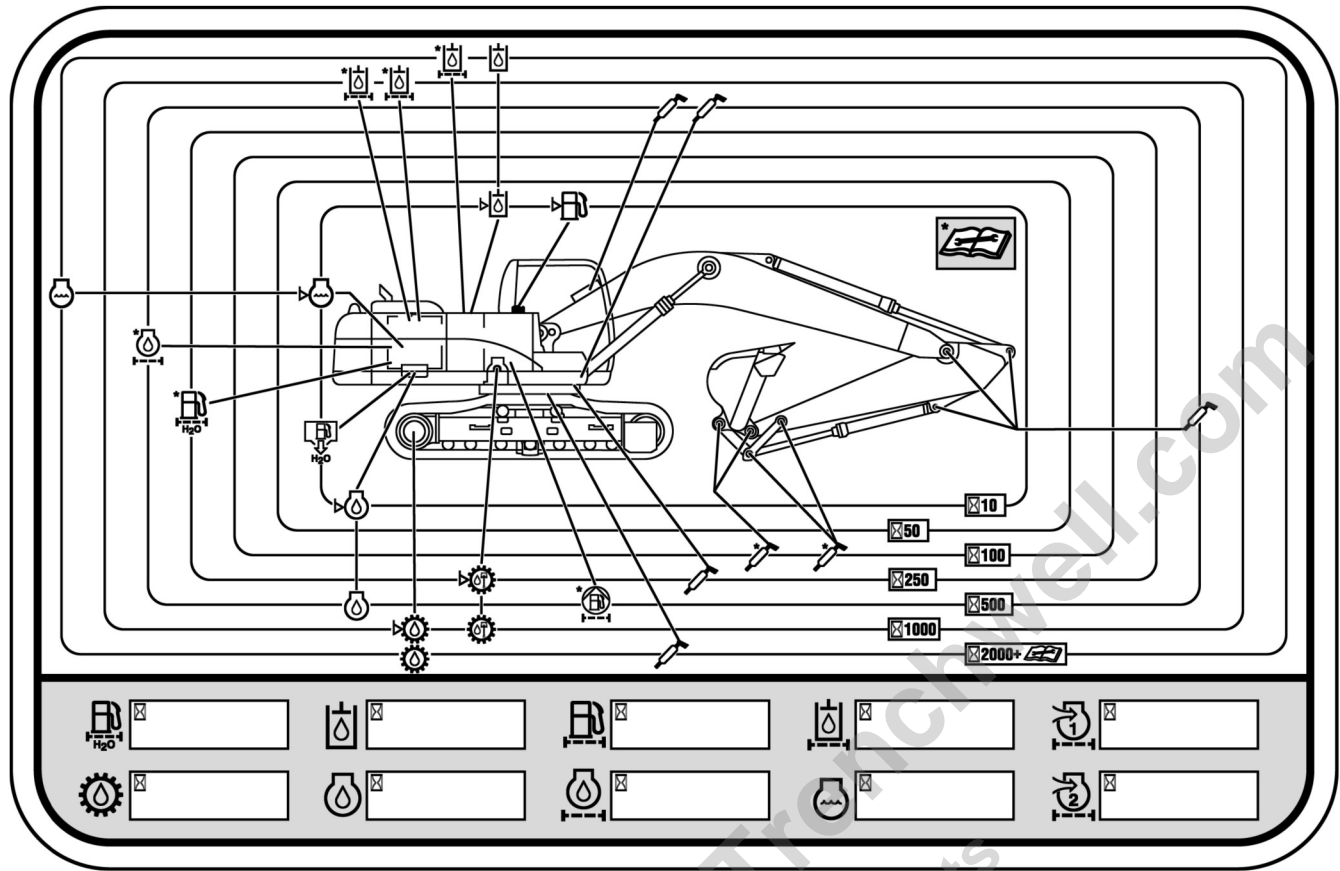














Illustration 281

g02192373

Typical example of a service interval chart

- | | | | |
|---|--|---|---|
|  | Service hour interval – Hourly interval in which a maintenance procedure should be performed. |  | Engine oil – Change the engine oil. |
|  | Coolant level – Check the coolant level. |  | Engine oil filter – Change the engine oil filter. |
|  | Cooling system coolant – Change the ELC (Extended Life Coolant) . |  | Final drive oil level – Check the final drive oil level. |
|  | Engine air filter primary element – Clean or replace the primary air filter element. |  | Final drive oil – Change the final drive oil. |
|  | Engine air filter secondary element – Replace the secondary air filter element. |  | Fuel level – Check the fuel level. |
|  | Engine oil level – Check the engine oil level. |  | Fuel system filter – Replace the fuel system filters. |



Fuel system water separator – Drain the water separator.



Fuel system water separator element – Replace the fuel system water separator element.



Grease zerk – Lubricate the designated locations.



Hydraulic oil level – Check the hydraulic oil level.



Hydraulic oil – Change the hydraulic oil.



Hydraulic oil filter – Change the hydraulic oil filter.



Swing drive oil level – Check the swing drive oil level.



Swing drive oil – Change the swing drive oil level.

i03019299

System Pressure Release

SMCS Code: 1250-553-PX; 1300-553-PX; 1350-553-PX; 5050-553-PX; 6700-553-PX; 7540-553-PX

WARNING

Personal injury or death can result from sudden machine movement.

Sudden movement of the machine can cause injury to persons on or near the machine.

To prevent injury or death, make sure that the area around the machine is clear of personnel and obstructions before operating the machine.

Coolant System

WARNING

Pressurized system: Hot coolant can cause serious burn. To open cap, stop engine, wait until radiator is cool. Then loosen cap slowly to relieve the pressure.

To relieve the pressure from the coolant system, turn off the machine. Allow the cooling system pressure cap to cool. Remove the cooling system pressure cap slowly in order to relieve pressure.

Hydraulic System

WARNING

Personal injury can result from hydraulic oil pressure and hot oil.

Hydraulic oil pressure can remain in the hydraulic system after the engine has been stopped. Serious injury can be caused if this pressure is not released before any service is done on the hydraulic system.

Make sure all of the attachments have been lowered, oil is cool before removing any components or lines. Remove the oil filler cap only when the engine is stopped, and the filler cap is cool enough to touch with your bare hand.

1. Lower the work tools to the ground.
2. Shut off the engine.
3. Turn the key to the ON position before moving the joysticks.
4. Move the joysticks through the full range of travel. This will relieve any pressure that may be present in the hydraulic system.
5. Slowly loosen the filler cap in order to release the pressure in the hydraulic tank.
6. Tighten the filler cap.
7. The pressure in the hydraulic system has been released. Lines and components can be removed.

i07382254

Welding on Machines and Engines with Electronic Controls

SMCS Code: 1000; 7000

Do not weld on any protective structure. If it is necessary to repair a protective structure, contact your Cat dealer.

Proper welding procedures are necessary in order to avoid damage to the electronic controls and to the bearings. When possible, remove the component that must be welded from the machine or the engine and then weld the component. If you must weld near an electronic control on the machine or the engine, temporarily remove the electronic control in order to prevent heat related damage. The following steps should be followed in order to weld on a machine or an engine with electronic controls.

1. Turn off the engine. Place the engine start switch in the OFF position.
2. If equipped, turn the battery disconnect switch to the OFF position. If there is no battery disconnect switch, remove the negative battery cable at the battery.

NOTICE

Do NOT use electrical components (ECM or sensors) or electronic component grounding points for grounding the welder.

3. Clamp the ground cable from the welder to the component that will be welded. Place the clamp as close as possible to the weld. Make sure that the electrical path from the ground cable to the component does not go through any bearing. Use this procedure in order to reduce the possibility of damage to the following components:
 - Bearings of the drive train
 - Hydraulic components
 - Electrical components
 - Other components of the machine
4. Protect any wiring harnesses and components from the debris and the spatter which is created from welding.
5. Use standard welding procedures in order to weld the materials together.

i07503308

Maintenance Interval Schedule

SMCS Code: 7000

Ensure that all safety information, warnings, and instructions are read and understood before any operation or any maintenance procedures are performed.

The user is responsible for the performance of maintenance. All adjustments, the use of proper lubricants, fluids, filters, and the replacement of components due to normal wear and aging are included. Failure to adhere to proper maintenance intervals and procedures may result in diminished performance of the product and/or accelerated wear of components.

Use mileage, fuel consumption, service hours, or calendar time, WHICH EVER OCCURS FIRST, to determine the maintenance intervals. Products that operate in severe operating conditions may require more frequent maintenance. Refer to the maintenance procedure for any other exceptions that may change the maintenance intervals.

Note: Before each consecutive interval is performed, all maintenance from the previous interval must be performed.

Note: If Cat HYDO Advanced hydraulic oil is used, the hydraulic oil change interval is 6000 service hours. S·O·S services after 3000 service hours is strongly recommended.

If Cat HYDO Advanced hydraulic oil is not used, the normal interval of 6000 hours is decreased to 2000 service hours or 1 year.

Consult your Cat dealer for details.

When Required

“ Air Conditioner/Cab Heater Filter (Recirculation) - Inspect/Replace”	218
“ Battery - Recycle”	218
“ Battery or Battery Cable - Inspect/Replace”	219
“ Bucket Linkage - Inspect/Adjust”	222
“ Bucket Tips - Inspect/Replace”	223
“ Bucket Tips - Inspect/Replace”	227
“ Cab Air Filter (Fresh Air) - Clean/Replace”	231
“ Cab Air Filter (Fresh Air) - Clean/Replace”	230
“ Camera - Clean/Adjust”	232
“ Circuit Breakers - Reset”	233

“ Engine Air Filter Primary Element - Clean/Replace”	239
“ Engine Air Filter Secondary Element - Replace”	241
“ Fuel System - Prime”	248
“ Fuses - Replace”	254
“ High Intensity Discharge Lamp (HID) - Replace”	256
“ Oil Filter - Inspect”	273
“ Radiator Core - Clean”	273
“ Receiver Dryer (Refrigerant) - Replace”	274
“ Track Adjustment - Adjust”	280
“ Window Washer Reservoir - Fill”	283
“ Window Wiper - Inspect/Replace”	283
“ Windows - Clean”	283

Every 10 Service Hours or Daily for First 100 Hours

“ Boom and Stick Linkage - Lubricate”	221
“ Bucket Linkage - Lubricate”	223

Every 10 Service Hours or Daily

“ Cooling System Coolant Level - Check”	237
“ Engine Oil Level - Check”	242
“ Fuel System Water Separator - Drain”	252
“ Fuel Tank Water and Sediment - Drain”	253
“ Hydraulic System Oil Level - Check ”	268
“ Indicators and Gauges - Test”	271
“ Seat Belt - Inspect”	275
“ Track Adjustment - Inspect”	282
“ Travel Alarm - Test”	282

"Undercarriage - Check" 283

Every 10 Service Hours or Daily for Machines Used in Severe Applications

"Bucket Linkage - Lubricate" 223

Every 50 Service Hours or Weekly

"Boom and Stick Linkage - Lubricate" 221

"Bucket Linkage - Inspect/Adjust" 222

"Quick Coupler - Lubricate" 273

Every 100 Service Hours or 2 Weeks

"Bucket Linkage - Lubricate" 223

Every 100 Service Hours of Continuous Hammer Use

"Oil Filter (Hydraulic Hammer) - Replace" 271

Initial 250 Service Hours

"Engine Valve Lash - Check" 246

"Final Drive Oil - Change" 246

"Hydraulic System Oil Filter (Case Drain) - Replace" 261

"Hydraulic System Oil Filter (Pilot) - Replace" 262

"Hydraulic System Oil Filter (Return) - Replace" 264

"Swing Drive Oil - Change" 276

Every 250 Service Hours

"Engine Oil Sample - Obtain" 244

"Final Drive Oil Sample - Obtain" 247

Every 250 Service Hours for Machines Used in Severe Applications

"Fuel System Primary Filter (Water Separator) Element - Replace" 249

"Fuel System Secondary Filter - Replace" 251

Every 250 Service Hours or Monthly

"Belt - Inspect/Adjust/Replace" 219

"Condenser (Refrigerant) - Clean" 233

"Final Drive Oil Level - Check" 246

"Swing Bearing - Lubricate" 276

"Swing Drive Oil Level - Check" 278

Every 250 Service Hours of Partial Hammer Use (50% of Service Hours)

"Hydraulic System Oil Filter (Case Drain) - Replace" 261

"Hydraulic System Oil Filter (Pilot) - Replace" 262

"Oil Filter (Hydraulic Hammer) - Replace" 271

Every 250 Service Hours of Continuous Hammer Use

"Hydraulic System Oil Filter (Case Drain) - Replace" 261

"Hydraulic System Oil Filter (Pilot) - Replace" 262

"Hydraulic System Oil Filter (Return) - Replace" 264

Initial 500 Hours (for New Systems, Refilled Systems, and Converted Systems)

"Cooling System Coolant Sample (Level 2) - Obtain" 239

Every 500 Service Hours

"Cooling System Coolant Sample (Level 1) - Obtain" 238

"Hydraulic System Oil Sample - Obtain" 269

"Swing Drive Oil Sample - Obtain" 278

Every 500 Service Hours or 3 Months

"Boom and Stick Linkage - Lubricate" 221

"Engine Crankcase Breather - Clean" 242

“ Engine Oil and Filter - Change”	244
“ Fuel System Primary Filter (Water Separator) Element - Replace”	249
“ Fuel System Secondary Filter - Replace”	251
“ Fuel System Third Filter - Replace”	252
“ Fuel System Fourth Filter - Replace”	248
“ Fuel Tank Cap and Strainer - Clean”	253

Every 500 Service Hours of Partial Hammer Use (50% of Service Hours)

“ Hydraulic System Oil Filter (Case Drain) - Replace”	261
“ Hydraulic System Oil Filter (Pilot) - Replace”	262
“ Hydraulic System Oil Filter (Return) - Replace”	264

Every 600 Service Hours of Continuous Hammer Use

“ Hydraulic System Oil - Change”	256
“ Hydraulic System Oil Filter (Return) - Replace”	264

Every 1000 Service Hours or 6 Months

“ Battery - Clean”	218
“ Battery Electrolyte Level - Check”	218
“ Battery Hold-Down - Tighten”	219
“ Engine Valve Lash - Check”	246
“ Final Drive Oil Level - Check”	246
“ Hydraulic System Oil Filter (Case Drain) - Replace”	261
“ Hydraulic System Oil Filter (Pilot) - Replace”	262
“ Rollover Protective Structure (ROPS) - Inspect”	275
“ Swing Drive Oil - Change”	276

Every 1000 Service Hours of Partial Hammer Use (50% of Service Hours)

“ Hydraulic System Oil - Change”	256
--	-----

“ Hydraulic System Oil Filter (Return) - Replace”	264
---	-----

Every 2000 Service Hours or 1 Year

“ Final Drive Oil - Change”	246
“ Hydraulic System Oil Filter (Return) - Replace”	264
“ Hydraulic Tank Screen - Clean”	269
“ Receiver Dryer (Refrigerant) - Replace”	274
“ Swing Gear - Lubricate”	279

Every Year

“Cooling System Coolant Sample (Level 2) - Obtain”	239
--	-----

Every 3 Years After Date of Installation or Every 5 Years After Date of Manufacture

“ Seat Belt - Replace”	275
----------------------------------	-----

Every 6000 Service Hours or 3 Years

“ Cooling System Coolant Extender (ELC) - Add”	236
“ Hydraulic System Oil - Change”	256

Every 12 000 Service Hours or 6 Years

“ Cooling System Coolant (ELC) - Change”	234
--	-----

i06553710

i00934864

Air Conditioner/Cab Heater Filter (Recirculation) - Inspect/Replace

SMCS Code: 1054-040-A/C; 1054-510-A/C

NOTICE

An air recirculation filter element plugged with dust will result in decreased performance and service life to the air conditioner or cab heater.

To prevent decreased performance, clean the filter element, as required.

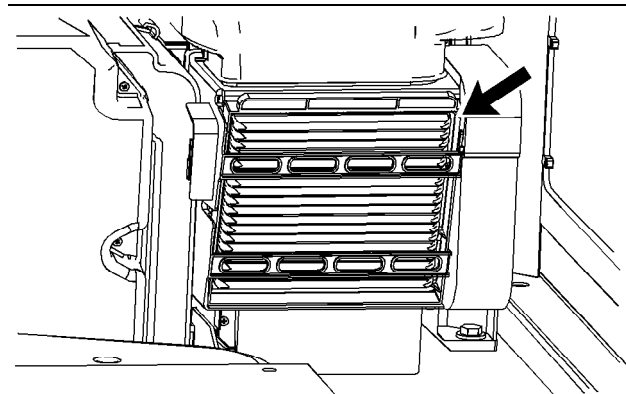


Illustration 282

g01100988

The air conditioner filter is located on the lower left side of the cab behind the seat.

1. Slide the operator seat forward.
2. Slide the filter element upward.
3. Tap the air filter against the palm of one's hand in order to remove the dirt. Do not use compressed air to clean the filter.
4. After you clean the filter element, inspect the filter element. If the filter element is damaged or badly contaminated, use a new filter element. Make sure that the filter element is dry.

Note: Ensure that the grating is at the rear of filter when installing the air filter.

5. Install the filter element.

NOTICE

Failure to reinstall the filter element for the air conditioning system will contaminate and damage the system components.

Battery - Clean

SMCS Code: 1401-070

Clean the battery surface with a clean cloth. Keep the terminals clean and keep the terminals coated with petroleum jelly. Install the post cover after you coat the terminal post with petroleum jelly.

i06543763

Battery - Recycle

SMCS Code: 1401-561

Always recycle a battery. Never discard a battery.

Always return used batteries to one of the following locations:

- A battery supplier
- An authorized battery collection facility
- Recycling facility

i06019968

Battery Electrolyte Level - Check

SMCS Code: 1401-535; 1401; 1401-535-FLV

S/N: JPD1-Up

WARNING

All lead-acid batteries contain sulfuric acid which can burn the skin and clothing. Always wear a face shield and protective clothing when working on or near batteries.

Note: If the machine is operated in extreme temperatures, check the electrolyte level Every 500 Service Hours or 3 months.

When the engine is not run for long periods of time or when the engine is run for short periods, the batteries may not fully recharge. Ensure a full charge in order to help prevent the battery from freezing.

1. Clean the battery surface with a clean cloth. Clean the terminals and the cable clamps. Coat the clamps and the terminals with silicone lubricant or petroleum jelly. Install the post cover.
2. Inspect the electrolyte level in each battery cell. Maintain the electrolyte level to the bottom of the filler openings. Use distilled water. If distilled water is not available, use clean drinking water.

i00934872

i07161672

Battery Hold-Down - Tighten

SMCS Code: 7257

Tighten the hold-downs for the battery in order to prevent the batteries from moving during machine operation.

i04064489

Battery or Battery Cable - Inspect/Replace

SMCS Code: 1401; 1401-040; 1401-510; 1401-561; 1402-040; 1402-510

WARNING

Personal injury can result from battery fumes or explosion.

Batteries give off flammable fumes that can explode. Electrolyte is an acid and can cause personal injury if it contacts the skin or eyes.

Prevent sparks near the batteries. Sparks could cause vapors to explode. Do not allow jumper cable ends to contact each other or the engine. Improper jumper cable connections can cause an explosion.

Always wear protective glasses when working with batteries.

1. Turn all of the switches to the OFF position. Turn the engine start switch key to the OFF position.
2. Turn the battery disconnect switch to the OFF position. Remove the key.
3. Disconnect the negative battery cable at the battery.
4. Disconnect the positive battery cable at the battery.
5. Disconnect the battery cables at the battery disconnect switch. The battery disconnect switch is connected to the machine frame.
6. Make necessary repairs or replace the battery.
7. Connect the battery cable at the battery disconnect switch.
8. Connect the positive battery cable of the battery.
9. Connect the negative battery cable of the battery.
10. Install the key and turn the battery disconnect switch to the ON position.

Belt - Inspect/Adjust/Replace

SMCS Code: 1357-510; 1357-025; 1357-040; 1397-040; 1397-025; 1397-510

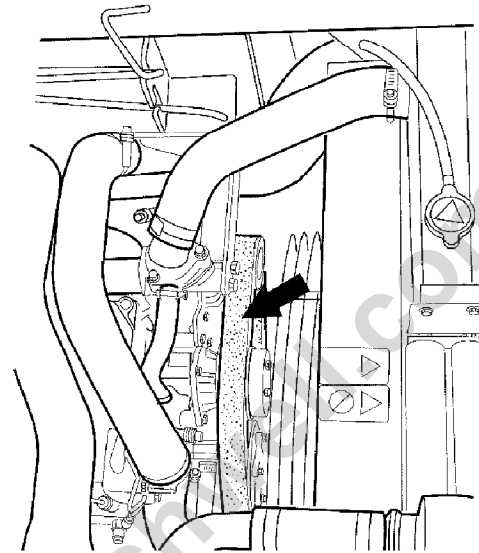


Illustration 283

g00937676

Your engine is equipped with a water pump, with a fan drive, and with an alternator. Your engine can also be equipped with an air conditioner belt. For maximum engine performance and maximum utilization of your engine, inspect the belts for wear and for cracking. Check the belt tension. Adjust the belt tension in order to minimize belt slippage. Belt slippage will decrease the belt life. Belt slippage will also cause poor performance of the alternator and of any driven equipment.

If new belts are installed, recheck the belt adjustment after 30 minutes of operation. If two belts or more are required for an application, replace the belts in belt sets. If only one belt of a matched set is replaced, the new belt will carry more load. This is due to the fact that the older belts are stretched. The additional load on the new belt could cause the new belt to break.

Water Pump Belt, Fan Drive Belt, and Alternator Belt

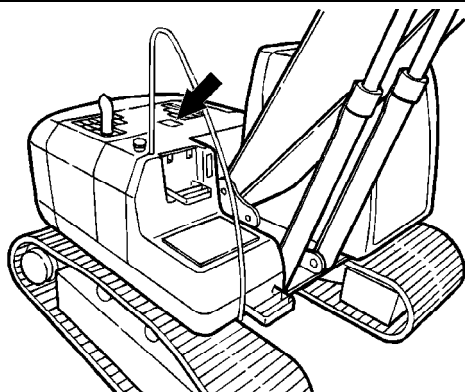


Illustration 284

g00686313

1. Open the engine hood.

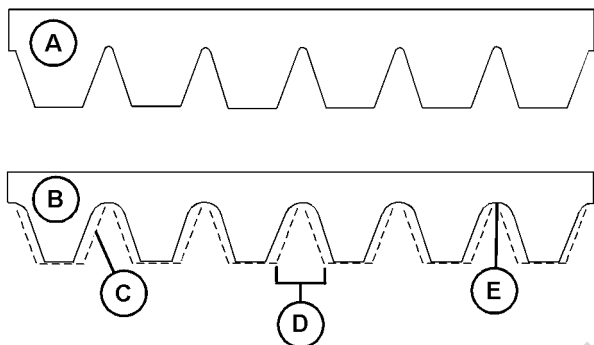


Illustration 285

g06114636

- (A) New belt
(B) Worn belt

2. Inspect the condition of the serpentine belt. Over time the belt ribs will lose material (C). The space between the ribs will increase (D). The loss of material will cause the pulley sheave to contact the belt valley. This will lead to belt slippage and accelerated wear (E). Replace the belt if the belt is worn or frayed.

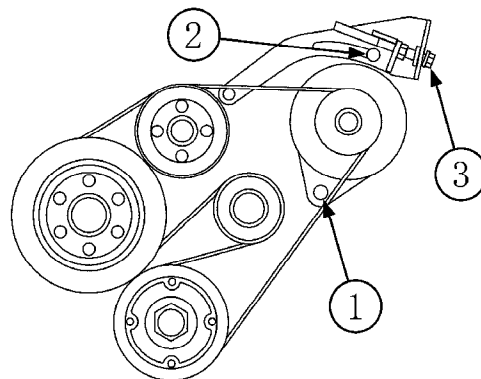


Illustration 286

g00937677

3. Apply approximately 98 N (22 lb) force midway between the pulleys.
4. Measure the deflection of the belt. The belt should deflect 10 to 12 mm (0.4 to 0.5 inch).
5. If the deflection is not correct, loosen alternator mounting bolt (1) and bracket bolt (2). Turn adjusting bolt (3) in order to adjust the belt tension.
6. When the adjustment is correct, tighten bolt (1) and bolt (2).
7. Check the deflection of the belt again.
8. If a new belt is installed, run the engine at rated speed for thirty minutes. Check the belt adjustment. Readjust the belt, if necessary.

Air Conditioner Belt (If Equipped)

NOTICE

The V-belt must be tensioned correctly. Failure to tension the belt properly could cause damage to the belt and/or to the air conditioner compressor.

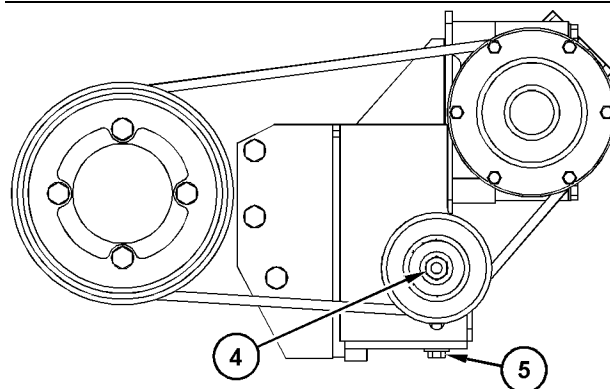


Illustration 287

g01162234

- (4) Nut
(5) Adjusting Bolt

1. Apply approximately 100 N (22 lb) force midway between the pulleys.
2. Measure the deflection of the belt. The belt should deflect 7 to 10 mm (0.3 to 0.4 inch).
3. If the deflection is not correct, loosen nut (4). Turn adjusting bolt (5) in order to adjust the belt tension.
4. When the adjustment is correct, tighten nut (4) to a torque of $38 \pm 7 \text{ N}\cdot\text{m}$ ($28 \pm 5 \text{ lb ft}$).
5. Check the deflection again.

Note: If a new belt is installed, check the belt adjustment again after 30 minutes of engine operation at the rated engine speed.

6. Close the engine hood.

i01933858

Boom and Stick Linkage - Lubricate

SMCS Code: 6501-086; 6502-086

Note: Caterpillar recommends the use of 5% molybdenum grease for lubricating the boom, stick and bucket control linkage. Refer to Special Publication, SEBU6250, "Caterpillar Machine Fluids Recommendations" for more information on molybdenum grease.

Apply lubricant through all fittings after operation under water.

Wipe all fittings before you apply lubricant.

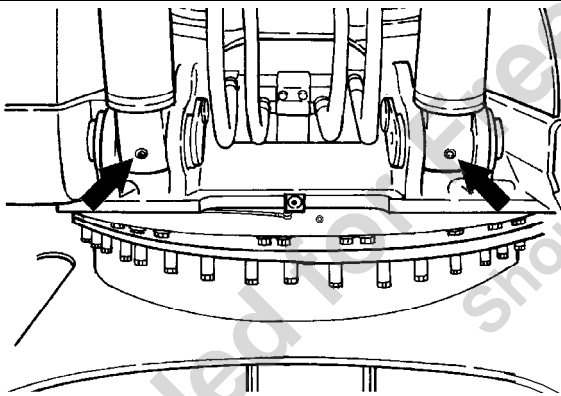


Illustration 288

g00685797

1. Apply lubricant through the fitting at the base of each boom cylinder.

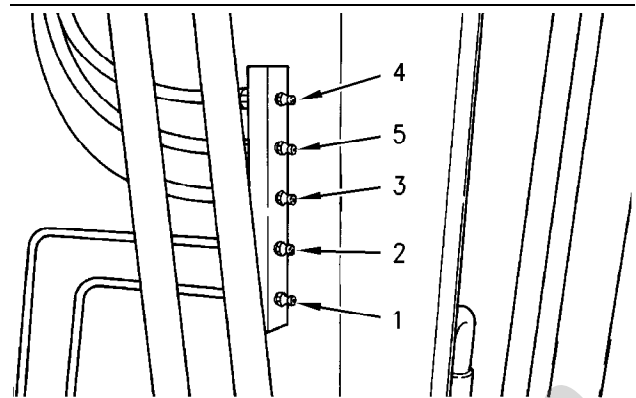


Illustration 289

g00685798

2. The fittings are at the base of the boom. The fittings can be serviced from the platform on top of the storage box. To lubricate the lower boom bearings, apply lubricant through fittings (1) and (2).
3. Apply lubricant through fittings (3) and (4) for the boom cylinder rod.
4. Apply lubricant through fitting (5) for the stick cylinder head.

Note: To ensure proper lubrication of the lower boom bearings and of the boom cylinder rod end bearings, lubricant should be applied through fittings (1), (2), (3), and (4). Apply lubricant first when the boom is raised and any attachment is suspended. Then apply lubricant when the boom is lowered and the attachment is rested on the ground with a slight downward pressure.

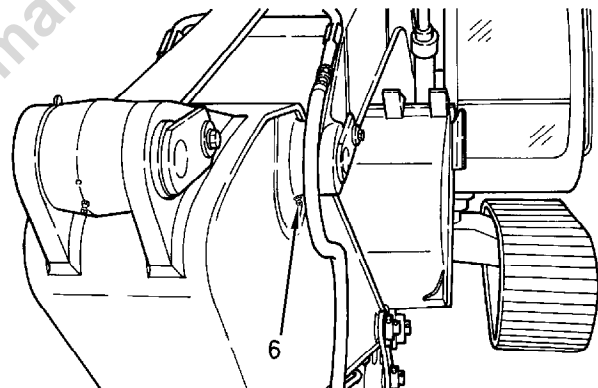


Illustration 290

g00685799

5. Apply lubricant through fitting (6). Fitting (6) is at the connection point of the boom and of the stick.

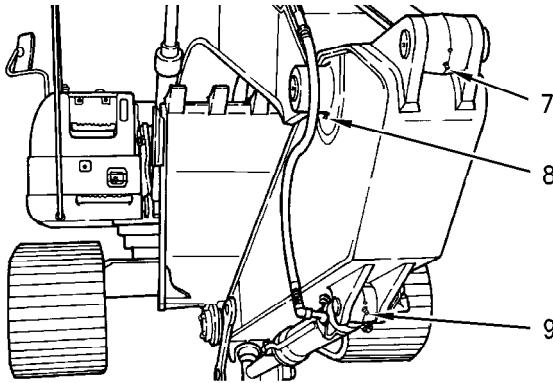


Illustration 291

g00685800

6. Apply lubricant through fitting (7) on the stick cylinder rod, fitting (8) at the connection point of the boom and of the stick, and fitting (9) at the bucket cylinder head end.

i02168785

Bucket Linkage - Inspect/ Adjust

SMCS Code: 6513-025; 6513-040

WARNING

Unexpected machine movement can cause injury or death.

To avoid possible machine movement, move the hydraulic lockout control to the LOCKED position and attach a Special Instruction, SEHS7332, "Do Not Operate" or similar warning tag to the hydraulic lockout control.

NOTICE

Improperly adjusted bucket clearance could cause galling on the contact surfaces of the bucket and stick, resulting in excessive noise and/or damaged O-ring seals.

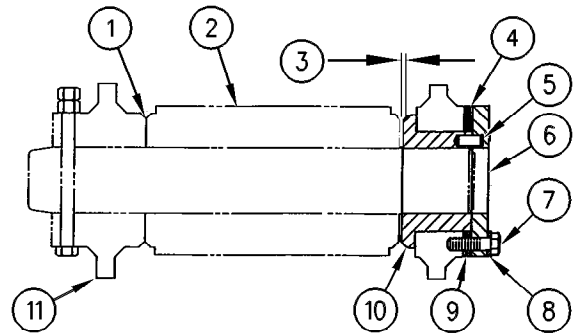


Illustration 292

g00101687

- (1) No gap
- (2) Stick boss
- (3) Bucket clearance
- (4) Shims
- (5) Pin
- (6) Plate
- (7) Bolts
- (8) Washers
- (9) Location
- (10) Flange
- (11) Bucket boss

The clearance of the bucket control linkage on this machine can be adjusted by shimming. If the gap between the bucket and the stick becomes excessive, adjust bucket clearance (3) to 0.5 to 1 mm (.02 to .04 inch).

Two shims of different thickness are used at location (9). The thicknesses of the shims are 0.5 mm (0.02 inch) and 1.0 mm (0.04 inch).

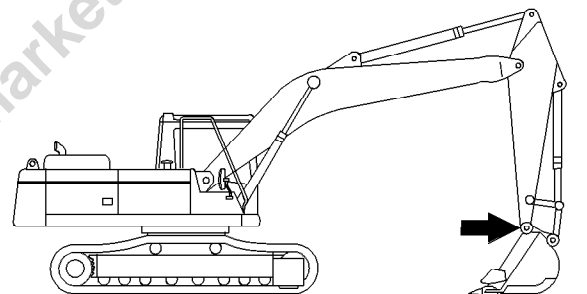


Illustration 293

g00102146

Area for linkage adjustment

1. Position the machine on a level surface and lower the bucket to the ground.
2. Slowly operate the swing control lever until stick boss (2) and the bucket boss (11) are in full face contact at no gap (1). This will help to determine the total clearance of the connection point of the stick and of the bucket.

3. Place the hydraulic lockout control in the LOCKED position and stop the engine.
4. Measure bucket clearance (3), which is the existing total clearance.
5. Determine the number of shims that need to be removed from shims (4) by using the following calculation:
Subtract 0.5 mm (0.02 inch) or 1.0 mm (0.04 inch) from bucket clearance (3).
6. Remove the appropriate number of shims at location (9) in order to meet the above thickness. Make sure that you use a minimum of three 0.5 mm (0.02 inch) shims. To remove the shims, remove bolts (7), washers (8), and plate (6).
7. After the correct number of shims has been removed and pin (5) is aligned with the pin hole, install plate (6), washers (8), and bolts (7). Tighten bolts (7) to a torque of 240 ± 40 N·m (175 ± 30 lb ft).
8. After installation, make sure that bucket clearance (3) is still correct.

i01942324

Bucket Linkage - Lubricate

SMCS Code: 6513-086

Note: Caterpillar recommends the use of 5% molybdenum grease for lubricating the bucket linkage. Refer to Special Publication, SEBU6250, "Caterpillar Machine Fluids Recommendations" for more information on grease.

Wipe all fittings before you apply lubricant.

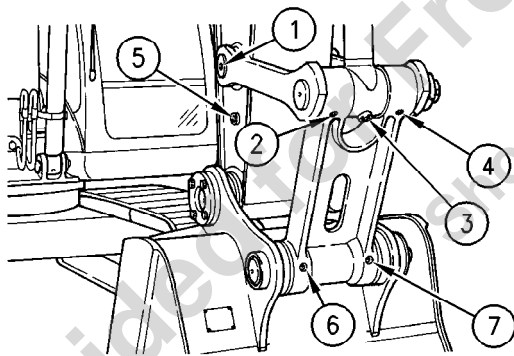


Illustration 294

g00682908

Note: Completely fill all cavities of the bucket control linkage with grease when you initially install a bucket.

1. Apply lubricant through fittings for the linkages (1), (2), (3), and (4).
2. Apply lubricant through fittings for the bucket (5), (6), and (7).

Note: Service the above fittings after you operate the bucket under water.

i03450548

Bucket Tips - Inspect/Replace (Drive-through System)

SMCS Code: 6805-510; 6805-040

WARNING

Personal injury or death can result from bucket falling.

Block the bucket before changing bucket tips or side cutters.

Bucket Tips

Note: In order to maximize the life of the bucket tip and the penetration of the bucket tip, the bucket tip can be rotated.



Illustration 295

g01055179

Acceptable wear



Illustration 296

g01055196

Replace this bucket tip.

Check the bucket tips for wear. If the bucket tip has a hole, replace the bucket tip.

Removal Procedure

⚠ WARNING

Retainer pin, when struck with force, can fly out and cause injury to nearby people.

Make sure the area is clear of people when driving retainer pins.

To avoid injury to your eyes, wear protective glasses when striking a retainer pin.

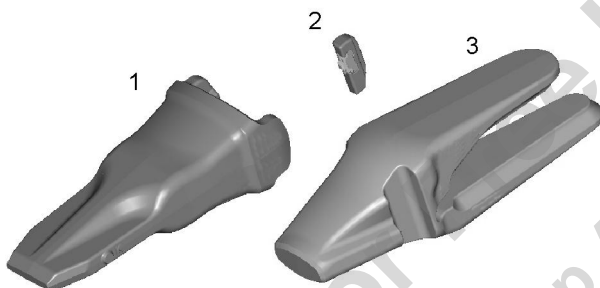


Illustration 297

g01053737

- (1) Bucket tip
- (2) Retainer
- (3) Adapter

Note: Retainers are often damaged during the removal process. Caterpillar recommends the installation of a new retainer when bucket tips are rotated or replaced.

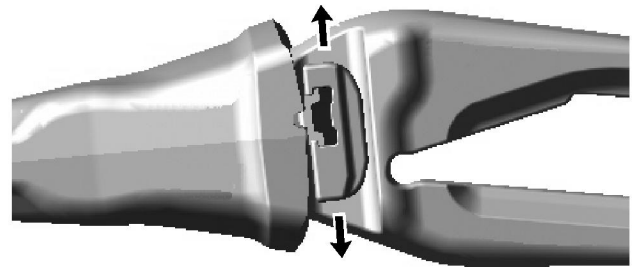


Illustration 298

g01054386

Internal view

1. Use a hammer and a punch in order to drive out the retainer. The retainer can be removed from the top of the bucket tip or from the bottom of the bucket tip.
2. Remove the bucket tip from the adapter with a slight counterclockwise rotation.

Installation Procedure

1. Clean the adapter, if necessary.
2. Install the new bucket tip or the rotated bucket tip onto the adapter with a slight clockwise rotation.

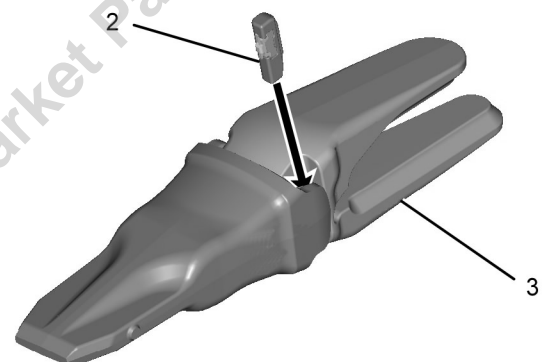


Illustration 299

g01498093

Proper location for installing the retainer

3. The retainer can be installed from the top of the bucket tip or from the bottom of the bucket tip. Use a hammer and a 1 inch X 1 inch X 8 inch steel bar stock in order to drive retainer (2) into adapter (3).

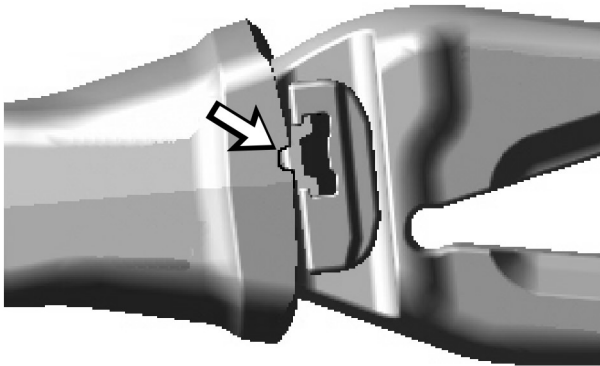


Illustration 300

g01492733

Internal View

The latch of the retainer is properly seated in the recess of the bucket tip.

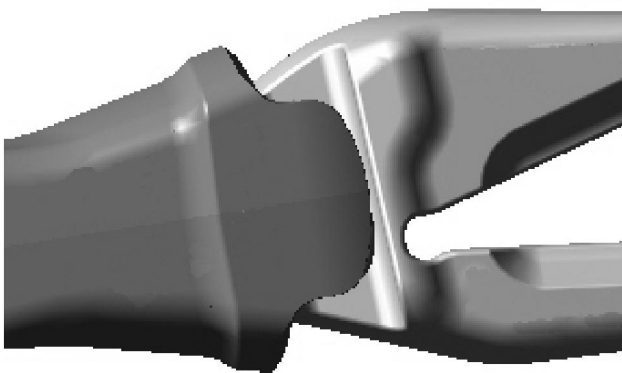


Illustration 301

g01054753

A properly installed retainer does not extend beyond the ear of the bucket tip.

- The retainer is properly seated if the retainer can be moved slightly by the technician's hand. If the retainer cannot be moved, adjust the retainer, as needed. The ends of the retainer should not extend beyond the ear of the bucket tip.

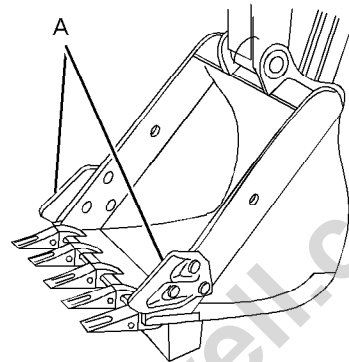
Side Cutters (If Equipped)

Illustration 302

g01092808

Bucket with side cutters

(A) Side cutters

- Remove the mounting bolts and the side cutters.
- Clean the mounting surface of the side plate on the bucket and of the side cutter. Remove any burrs or protrusions on the mating surfaces.

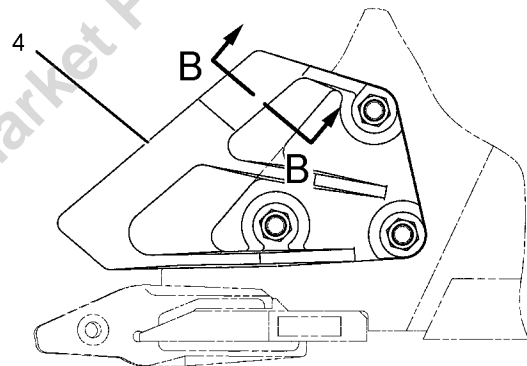


Illustration 303

g01389435

(4) Side cutter

Note: Some side cutters may be rotated for additional wear.

- Install the side cutter.

Note: Certain bolts may require thread compound.

- Hand tighten the bolts.

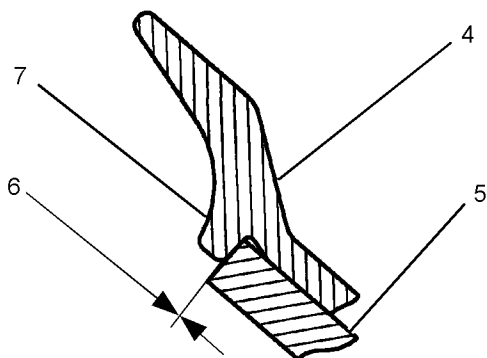


Illustration 304

g01389433

Section B-B From Illustration 303

- (4) Side cutter
- (5) Side plate on a bucket
- (6) 0.0 mm (0.0 inch)
- (7) Shear ledge on a side cutter

5. Make sure that there is not a gap between the side plate on the bucket and the shear ledge on the side cutter.

6. Torque the mounting bolts to the correct specification.

Side Protectors (If Equipped)

Inspect the wear of the side protector. When too much wear is present, replace the protector.

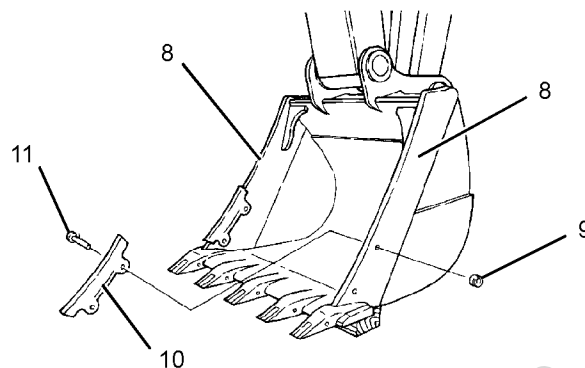


Illustration 305

g01389452

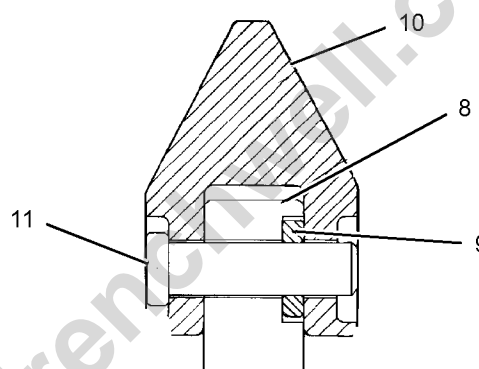


Illustration 306

g01389453

- (8) Side plate
- (9) Retainer
- (10) Side protector
- (11) Pin

1. Hit pin (11) from the retainer side of the bucket in order to remove side protector (10) from side plate (8).

2. Clean side protector (10), pin (11), retainer (9) and side plate (8) before installation.

Note: Lateral clearance between the side plate and the side protector should not exceed 1 mm (0.04 inch). Shims may be required in order to decrease the lateral clearance which will decrease movement. Install the shims between the side plate and the side protector on the opposite side of the retainer.

3. Put retainer (9) in side plate (8).

4. Align two pin holes of the new protector and the side plate. Hit the pin from the side of the bucket without the retainer.

Note: If the pin and/or the retainer are worn, replace the pin and/or the retainer.

i03574842

Bucket Tips - Inspect/Replace

SMCS Code: 6805-510; 6805-040

WARNING

Block the bucket before changing the bucket teeth.

To prevent possible injury to the eyes, wear a protective face shield when striking the pin.

The pin, when struck, can fly out and cause injury to nearby personnel.

Bucket Tips

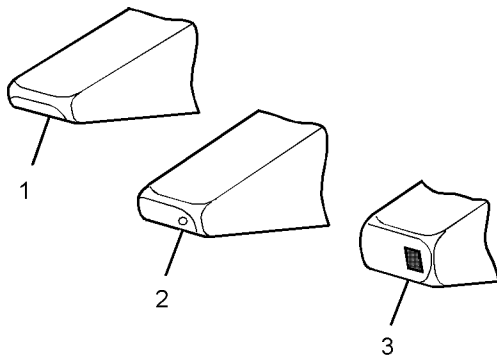


Illustration 307

g01577934

- (1) Usable tip
(2) Replaceable bucket tip
(3) Overworn tip

Check the bucket tips for wear. If the bucket tip has a hole, replace the bucket tip.

1. Remove the pin from the bucket tip. The pin can be removed by one of the following methods.

- Use a hammer and a punch from the retainer side of the bucket to drive out the pin.
- Use a Pin-Master. Follow Step 1a through Step 1c for the procedure.

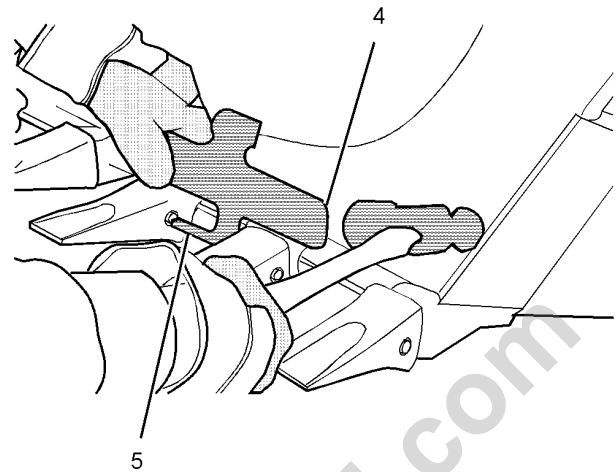


Illustration 308

g01577993

- (4) Back of Pin-Master
(5) Extractor

- Place the Pin-Master on the bucket tip.
- Align extractor (5) with the pin.
- Strike the Pin-Master at the back of the tool (4) and remove the pin.

Note: Discard the old pin and the retainer assembly. When you change tips, use a new pin and a new retainer assembly. Refer to the appropriate parts manual for your machine.

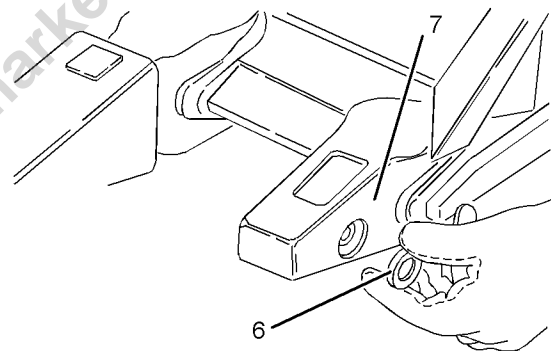


Illustration 309

g01577913

- (6) Retainer assembly
(7) Adapter

2. Clean the adapter and the pin.

3. Fit retainer assembly (6) into the counterbore that is in the side of adapter (7). Make sure that the face of the retainer assembly with the marking "OUTSIDE" is visible.

Maintenance Section
Bucket Tips - Inspect/Replace

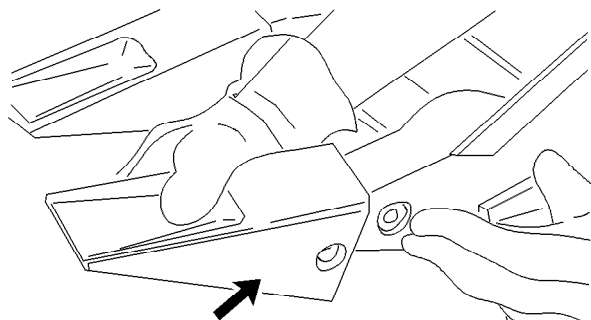


Illustration 310

g00101359

4. Install the new bucket tip onto the adapter.

Note: The bucket tips can be rotated by 180 degrees in order to allow the tip to wear evenly. You may also move the tips from the outside teeth to the inside teeth. Check the tips often. If wear is present on the tips, rotate the tips. The outside teeth generate the most wear.

5. Drive the pin through the bucket tip. The pin can be installed by using one of the following methods:

- From the same side of the retainer, drive the pin through the bucket tip, the retainer assembly, and the adapter.
- Use a Pin-Master. Follow Step 5a through Step 5e for the procedure.

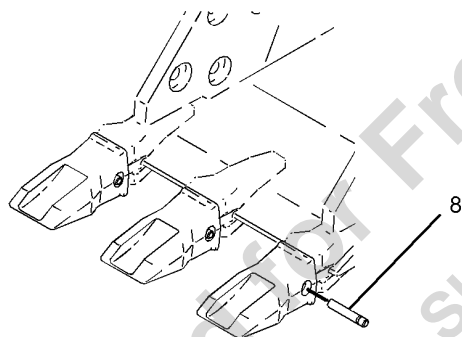


Illustration 311

g01578233

(8) Pin

a. Insert pin (8) through the bucket tip.

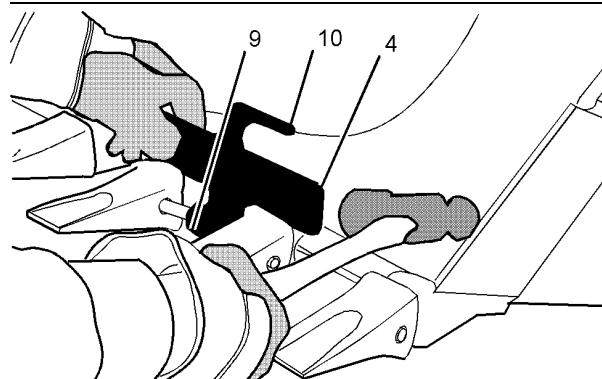


Illustration 312

g01578342

- Place the Pin-Master over the bucket tips so that the pin will fit into the counterbore of the pin holder (9).
- Strike the Pin-Master with a hammer at the back of the tool (4) in order to insert the pin.
- Slide pin holder (9) away from the pin and rotate the tool slightly in order to align pin setter (10) with the pin.

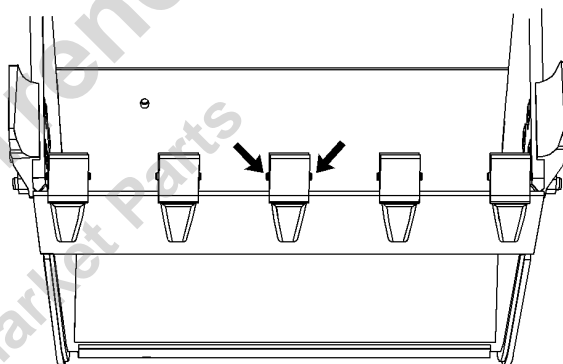


Illustration 313

g01209159

Final assembly of pin into bucket tip

- e. Strike the end of the tool until the pin is fully inserted.

Side Cutters

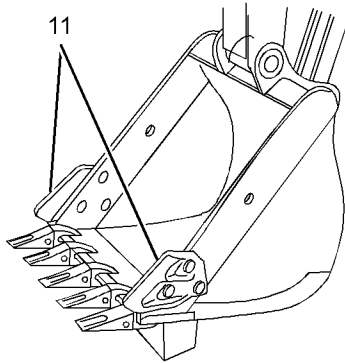


Illustration 314

g01579693

Bucket With Side Cutters

1. Remove the mounting bolts and the side cutters (11).
2. Clean the mounting surface of the side plate on the bucket and of the side cutter. Remove any burrs or protrusions on the mating surfaces.

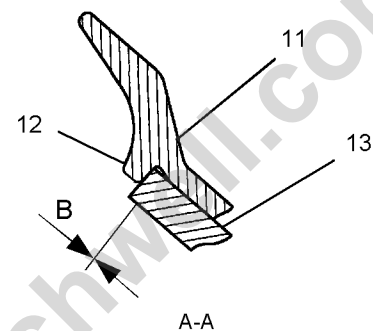
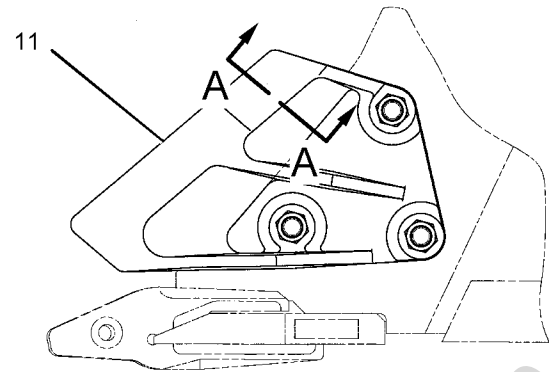


Illustration 315

g01579713

- (12) Shear ledge on a side cutter
(13) Side plate on a bucket
(B) 0.0 mm (0.0 inch)

Note: Some side cutters may be rotated for additional wear.

3. Install the side cutter.

Note: Certain bolts may require thread compound.

4. Hand tighten the bolts.
5. Make sure that there is not a gap between the side plate on the bucket and the shear ledge on the side cutter.
6. Torque the mounting bolts to the correct specification.

Side Protectors (If Equipped)

Inspect the wear of the side protector. When too much wear is present, replace the protector.

Maintenance Section
Cab Air Filter (Fresh Air) - Clean/Replace

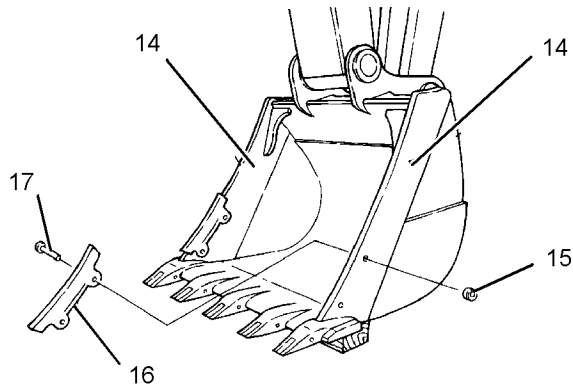


Illustration 316

g01592996

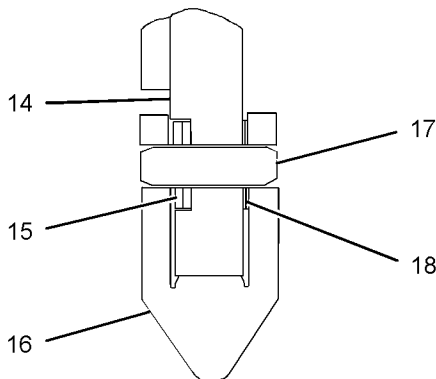


Illustration 317

g01903678

- (14) Side plate
- (15) Retainer
- (16) Side protector
- (17) Pin
- (18) Shim

1. Hit pin (17) from the side of the bucket without the retainer in order to remove side protector (16) from side plate (14).
2. Clean side protector (16), pin (17), retainer (15) and side plate (14) before installation.

Note: Lateral clearance between the side plate and the side protector should not exceed 1 mm (0.04 inch). Shims (18) may be required in order to decrease the lateral clearance which will decrease movement. Install the shims (18) between the side plate and the side protector on the opposite side of the retainer.

3. Put retainer (15) in side plate (14).

4. Align two pin holes of the new protector and the side plate. Hit the pin from the retainer side of the bucket.

Note: If the pin and/or the retainer are worn, replace the pin and/or the retainer.

i03901495

Cab Air Filter (Fresh Air) - Clean/Replace

SMCS Code: 7342-510; 7342-070

S/N: JPD1-Up

S/N: KTF1-Up

S/N: TDH1-Up

S/N: KLM1-Up

S/N: PCM1-Up

S/N: KHN1-Up

S/N: SPN1-Up

S/N: GDP1-Up

S/N: PCX1-Up

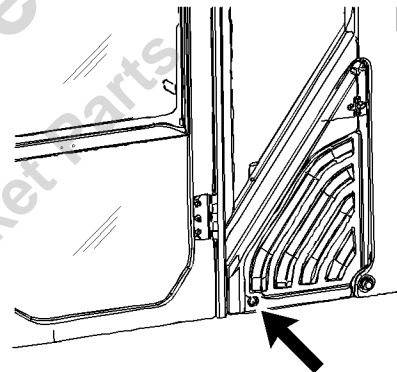


Illustration 318

g01973174

The cab air filter is located on the left side of the cab.

1. Use the ignition key in order to open the access panel.

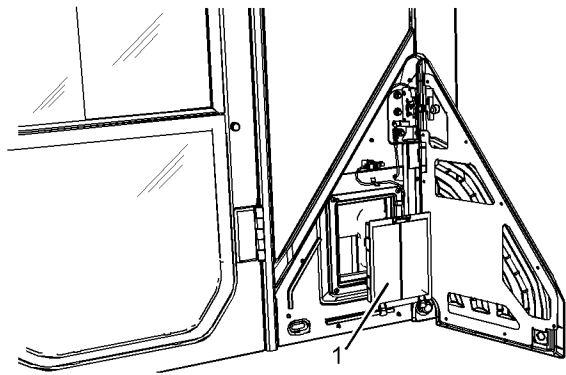


Illustration 319

g02144326

(1) Air filter

2. Remove air filter (1).
3. Clean the air filter with a maximum of 200 kPa (30 psi) pressure air.
4. After you clean the air filter, inspect the air filter. If the air filter is damaged or badly contaminated, use a new air filter.
5. Install the air filter and the filter cover.

i06890844

Cab Air Filter (Fresh Air) - Clean/Replace

SMCS Code: 7342-510; 7342-070

S/N: JPD1-Up

S/N: A6F1-Up

S/N: A8F1-Up

S/N: A9F1-Up

S/N: KGF1-Up

S/N: KTF1-Up

S/N: MCH1-Up

S/N: FAL1-Up

S/N: PCM1-Up

S/N: KHN1-Up

S/N: WBN1-Up

S/N: BZP1-Up

S/N: PHX1-Up

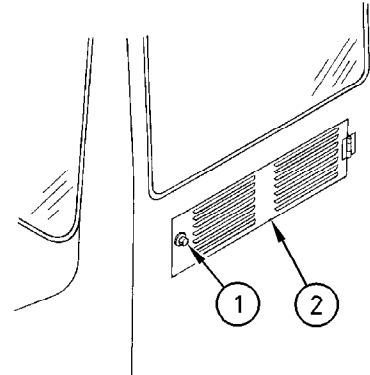


Illustration 320

g00730030

(1) Bolt
(2) Filter cover

The cab air filter is behind the cab.

1. Loosen bolt (1) and open filter cover (2).

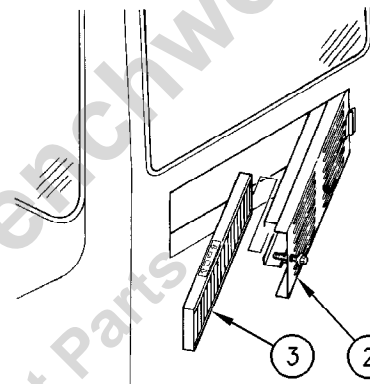


Illustration 321

g00730032

(2) Filter cover
(3) Air filter

2. Remove air filter (3) from filter cover (2).
3. Clean the air filter with a maximum of 200 kPa (30 psi) pressure air.
4. After you clean the air filter, inspect the air filter. If the air filter is damaged or badly contaminated, use a new air filter.
5. Install the air filter and the filter cover.

Note: Make sure that the arrow on top of the air filter is facing forward.

i06890848

Camera - Clean/Adjust

SMCS Code: 7348

WARNING

Failure to use an appropriate external ladder or an appropriate platform for direct access to the rear view camera could result in slipping and falling which could result in personal injury or death. Be sure to use an appropriate external ladder or an appropriate platform for direct access to the rear view camera.

The machine's counterweight and the engine hood are not approved as a maintenance platforms.

WARNING

Unexpected machine movement can cause injury or death.

In order to avoid possible machine movement, move the hydraulic lockout control to the LOCKED position and attach a Special Instruction, SEHS7332, "Do Not Operate" or similar warning tag to the hydraulic lockout control.

When the rear view camera requires maintenance or service, use the following steps.

1. Park the machine on a level surface.
2. Place the work tool on the level surface.
3. Move the hydraulic lockout control to the LOCKED position.
4. Turn the engine start switch to the OFF position and remove the engine start switch key.
5. Turn the battery disconnect switch to the OFF position and remove the battery disconnect switch key.

Clean Camera Lens

If necessary, clean the camera lens before you operate the machine. Use a soft cloth for cleaning.

Adjust the Area of Visibility

If the camera displays an undesired view, adjust the area of the visibility.

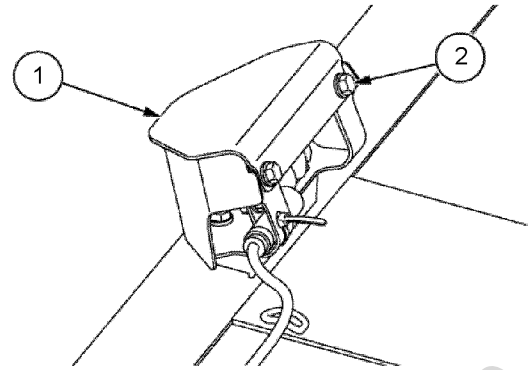


Illustration 322

g01598213

- (1) Cover
- (2) Bolt

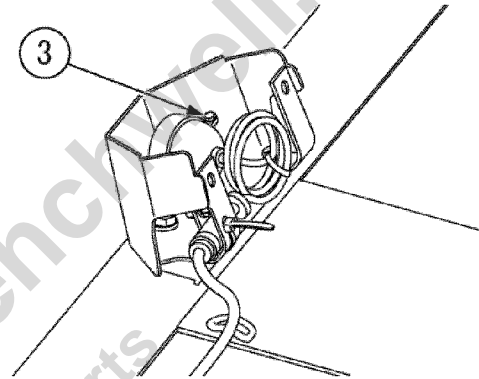


Illustration 323

g01598214

- (3) Bolt

1. Remove the two bolts (2) to remove the cover (1).
2. Unfasten the two bolts (3).



Illustration 324

g03678521

3. Adjust the area of the visibility of the camera so that a 1.5 m (5 ft 11 inch) tall obstacle which is 1 m (3 ft) behind the counterweight can be seen.
4. Tighten the two bolts (3) to a torque of $0.5 \pm 0.05 \text{ N}\cdot\text{m}$ ($4 \pm 0.4 \text{ lb in}$).
5. Tighten the two bolts (2) to a torque of $55 \pm 10 \text{ N}\cdot\text{m}$ ($40 \pm 7 \text{ lb ft}$) to fix the cover (1).

i02465602

Circuit Breakers - Reset

SMCS Code: 1420-529

Open the access door on the left side of the machine.

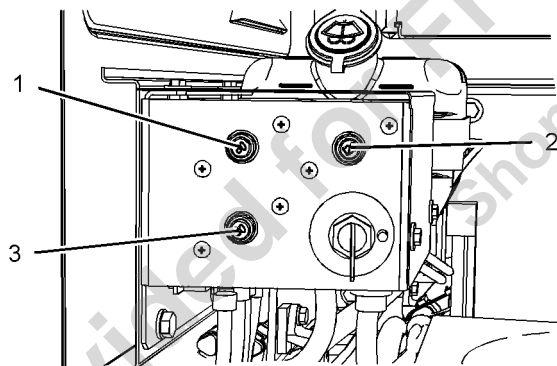


Illustration 325

g01120975

Main Breaker (1) – This circuit breaker is designed to protect the electrical system. The circuit breaker has a capacity of 80 Amp.

Air Inlet Heater Circuit (2) – This circuit breaker is designed to protect the air inlet heater. The circuit breaker has a capacity of 120 Amp.

Alternator Circuit (3) – This circuit breaker is designed to protect the alternator. If the batteries are installed with reversed polarity, the circuit breaker would prevent the alternator from damaging the rectifier. The circuit breaker has a capacity of 60 Amp.

Circuit Breaker Reset – Push in the button in order to reset the circuit breaker. If the electrical system is working properly, the button will remain depressed. If the button does not remain depressed, check the appropriate electrical circuit. Repair the electrical circuit, if necessary.

i01041005

Condenser (Refrigerant) - Clean

SMCS Code: 1805-070

NOTICE

If excessively dirty, clean condenser with a brush. To prevent damage or bending of the fins, do not use a stiff brush.

Repair the fins if found defective.

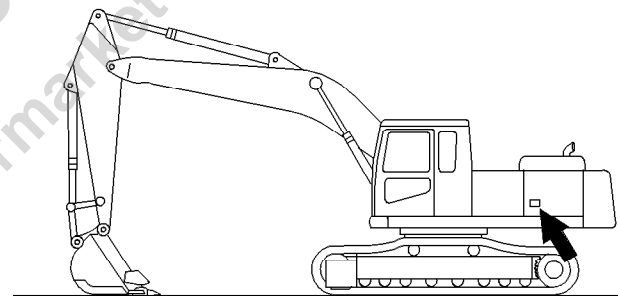


Illustration 326

g00102191

1. Open the access door on the left side of the machine.

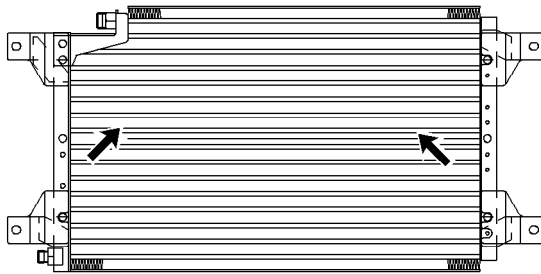


Illustration 327

g00537515

Typical example

2. Inspect the condenser for debris. Clean the condenser, if necessary.
3. Use clean water to wash off all dust and dirt from the condenser.
4. Close the access door.

i02582005

Cooling System Coolant (ELC) - Change

SMCS Code: 1350-044

WARNING

Personal injury can result from hot coolant, steam and alkali.

At operating temperature, engine coolant is hot and under pressure. The radiator and all lines to heaters or the engine contain hot coolant or steam. Any contact can cause severe burns.

Remove cooling system pressure cap slowly to relieve pressure only when engine is stopped and cooling system pressure cap is cool enough to touch with your bare hand.

Do not attempt to tighten hose connections when the coolant is hot, the hose can come off causing burns.

Cooling System Coolant Additive contains alkali. Avoid contact with skin and eyes.

NOTICE

Do not change the coolant until you read and understand the cooling system information in Special Publication, SEBU6250, "Caterpillar Machine Fluids Recommendations".

Failure to do so could result in damage to the cooling system components.

NOTICE

Mixing ELC with other products will reduce the effectiveness of the coolant.

This could result in damage to cooling system components.

If Caterpillar products are not available and commercial products must be used, make sure they have passed the Caterpillar EC-1 specification for pre-mixed or concentrate coolants and Caterpillar Extender.

Note: This machine was filled at the factory with Caterpillar Extended Life Coolant.

If the coolant in the machine is changed to Extended Life Coolant from another type of coolant, see Special Publication, SEBU6250, "Caterpillar Machine Fluids Recommendations".

1. Unlatch the engine hood and raise the engine hood.

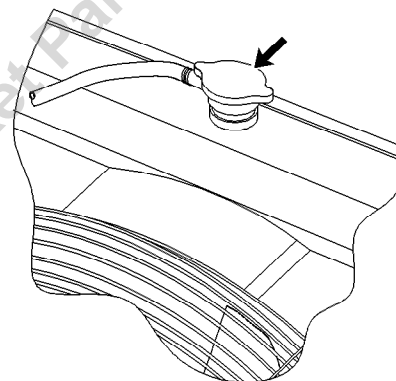


Illustration 328

g00544510

2. Slowly loosen the pressure cap that is on the radiator in order to release pressure from the cooling system.
3. Remove the pressure cap.

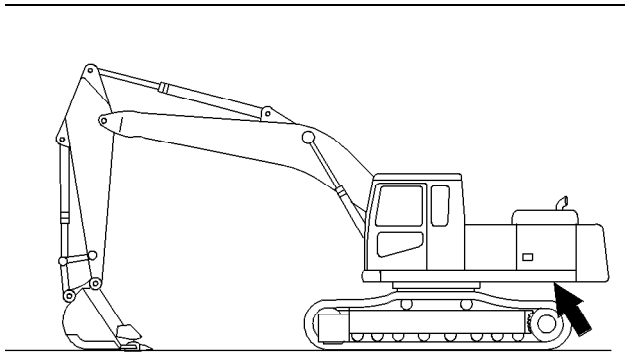


Illustration 329

g00544378

Note: Refer to Operation and Maintenance Manual, “General Hazard Information” for information that pertains to containing fluid spillage.

4. Remove the access cover that is underneath the radiator.
5. Open the drain valve and allow the coolant to drain into a suitable container. The drain valve is located on the bottom of the radiator.
6. Flush the cooling system. Follow Step 6a through Step 6h in order to properly flush the cooling system.
 - a. Close the drain valve.
 - b. Fill the cooling system with clean water.
 - c. Install the pressure cap.
 - d. Start the engine and run the engine until the engine reaches operating temperature.
 - e. Stop the engine and allow the engine to cool.
 - f. Loosen the pressure cap slowly in order to relieve any pressure in the cooling system.
 - g. Open the drain valve that is underneath the radiator and allow the coolant to drain into a suitable container.
 - h. Flush the radiator with clean water until the draining water is transparent.
7. Close the drain valve and install the access cover underneath the radiator.
8. Add the Extended Life Coolant. Refer to the following topics:
 - Special Publication, SEBU6250, “Caterpillar Machine Fluids Recommendations”
 - Operation and Maintenance Manual, “Capacities (Refill)”

9. Start the engine. Operate the engine without the cooling system pressure cap until the water temperature regulator opens and the coolant level stabilizes.
10. Maintain the coolant level within 13 mm (.5 inches) of the bottom of the filler pipe.
11. Inspect the gasket of the cooling system pressure cap. If the gasket is damaged, replace the pressure cap.
12. Install the cooling system pressure cap.
13. Stop the engine.
14. Open the left access door.

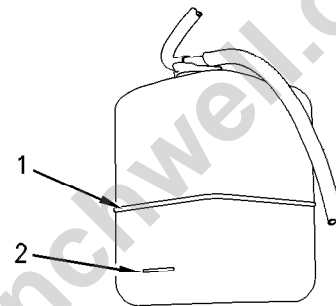


Illustration 330

g00545226

- (1) “FULL”
- (2) “LOW”
15. Check the coolant reservoir. Maintain the coolant level between “FULL” mark (1) and “LOW” mark (2).
16. If additional coolant is necessary, remove the reservoir cap and add the appropriate coolant solution.
17. Install the reservoir cap.
18. Close the engine hood and latch the engine hood. Close the left access door.

i02586600

Cooling System Coolant Extender (ELC) - Add

SMCS Code: 1352; 1353; 1395

WARNING

Personal injury can result from hot coolant, steam and alkali.

At operating temperature, engine coolant is hot and under pressure. The radiator and all lines to heaters or the engine contain hot coolant or steam. Any contact can cause severe burns.

Remove cooling system pressure cap slowly to relieve pressure only when engine is stopped and cooling system pressure cap is cool enough to touch with your bare hand.

Do not attempt to tighten hose connections when the coolant is hot, the hose can come off causing burns.

Cooling System Coolant Additive contains alkali. Avoid contact with skin and eyes.

Use Caterpillar Extended Life Coolant (ELC) when you add coolant to the cooling system. See Special Publication, SEBU6250, "Caterpillar Machine Fluids Recommendations" for all cooling system requirements.

Use a Coolant Conditioner Test Kit in order to check the concentration of the coolant.

NOTICE

Mixing ELC with other products will reduce the effectiveness of the coolant.

This could result in damage to cooling system components.

If Caterpillar products are not available and commercial products must be used, make sure they have passed the Caterpillar EC-1 specification for pre-mixed or concentrate coolants and Caterpillar Extender.

Note: This machine was filled at the factory with Caterpillar Extended Life Coolant.

1. Park the machine on level ground.
2. Stop the engine.
3. Unlatch the engine hood and raise the engine hood.

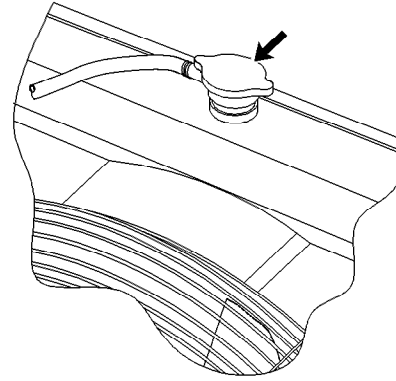


Illustration 331

g00544510

4. Make sure that the cooling system has cooled down. Loosen the cooling system pressure cap slowly in order to relieve system pressure. Remove the pressure cap.

Note: Refer to Operation and Maintenance Manual, "General Hazard Information" for information on containing fluid spillage.

5. It may be necessary to drain some coolant from the radiator so that Caterpillar Extender can be added to the cooling system.

Note: Always discard drained fluids according to local regulations.

6. Add Caterpillar Extended Life Coolant (ELC) to the cooling system. Refer to the following topics for the proper amount of Caterpillar Extender:

- Special Publication, SEBU6250, "Caterpillar Machine Fluids Recommendations"
- Operation and Maintenance Manual, "Capacities (Refill)"

7. Inspect the gasket of the cooling system pressure cap. If the gasket is damaged, replace the pressure cap.
8. Install the cooling system pressure cap.
9. Close the engine hood and latch the engine hood.

i02580035

Cooling System Coolant Level - Check

SMCS Code: 1350-040; 1350-535-FLV; 1395-535-FLV

WARNING

Personal injury can result from hot coolant, steam and alkali.

At operating temperature, engine coolant is hot and under pressure. The radiator and all lines to heaters or the engine contain hot coolant or steam. Any contact can cause severe burns.

Remove cooling system pressure cap slowly to relieve pressure only when engine is stopped and cooling system pressure cap is cool enough to touch with your bare hand.

Do not attempt to tighten hose connections when the coolant is hot, the hose can come off causing burns.

Cooling System Coolant Additive contains alkali. Avoid contact with skin and eyes.

1. Open the left rear access door.

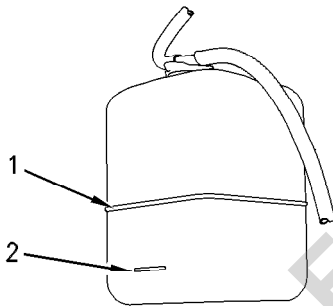


Illustration 332

g00545226

- (1) "FULL" level
- (2) "LOW" level

2. Check the coolant level of the coolant reservoir. Maintain the coolant level between the "FULL" mark and the "LOW" mark. If the coolant reservoir is empty, follow Steps 2a through 2i.

- a. Unlatch the engine hood and raise the engine hood.

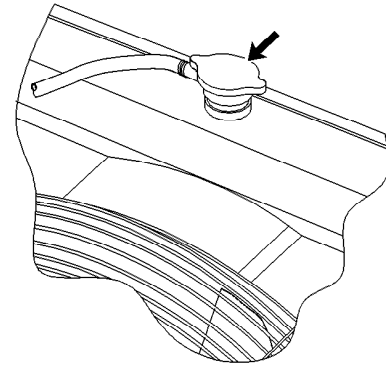


Illustration 333

g00544510

- b. Slowly loosen the cooling system pressure cap in order to relieve system pressure. Remove the pressure cap.

Note: Refer to Operation and Maintenance Manual, "General Hazard Information" for information on containing fluid spillage.

- c. Add the appropriate coolant solution to the cooling system. Refer to the following topics:

- Special Publication, SEBU6250, "Caterpillar Machine Fluids Recommendations"
- Operation and Maintenance Manual, "Capacities (Refill)"

- d. Start the engine. Operate the engine without the cooling system pressure cap until the water temperature regulator opens and the coolant level stabilizes.
- e. Maintain the coolant level within 13 mm (0.5 inch) of the bottom of the filler pipe.
- f. Inspect the condition of the gasket on the pressure cap. If the gasket is damaged, replace the pressure cap.
- g. Install the cooling system pressure cap.
- h. Stop the engine.
- i. Close the engine hood and latch the engine hood.

Note: Refer to Operation and Maintenance Manual, "General Hazard Information" for information on containing fluid spillage.

3. If additional coolant is necessary, remove the reservoir cap and add the appropriate coolant solution.

4. Install the reservoir cap.

5. Close the left access door.

i02250847

Cooling System Coolant Sample (Level 1) - Obtain

SMCS Code: 1395-008; 1395-554; 7542

Note: It is not necessary to obtain a Coolant Sample (Level 1) if the cooling system is filled with Cat ELC (Extended Life Coolant). Cooling systems that are filled with Cat ELC should have a Coolant Sample (Level 2) that is obtained at the recommended interval that is stated in the Maintenance Interval Schedule.

Note: Obtain a Coolant Sample (Level 1) if the cooling system is filled with any other coolant instead of Cat ELC. This includes the following types of coolants.

- Commercial long life coolants that meet the Caterpillar Engine Coolant Specification -1 (Caterpillar EC-1)
- Cat Diesel Engine Antifreeze/Coolant (DEAC)
- Commercial heavy-duty coolant/antifreeze

NOTICE

Always use a designated pump for oil sampling, and use a separate designated pump for coolant sampling. Using the same pump for both types of samples may contaminate the samples that are being drawn. This contaminate may cause a false analysis and an incorrect interpretation that could lead to concerns by both dealers and customers.

Note: Level 1 results may indicate a need for Level 2 Analysis.

NOTICE

Care must be taken to ensure that fluids are contained during performance of inspection, maintenance, testing, adjusting and repair of the product. Be prepared to collect the fluid with suitable containers before opening any compartment or disassembling any component containing fluids.

Refer to Special Publication, NENG2500, "Caterpillar Tools and Shop Products Guide" for tools and supplies suitable to collect and contain fluids on Caterpillar products.

Dispose of all fluids according to local regulations and mandates.

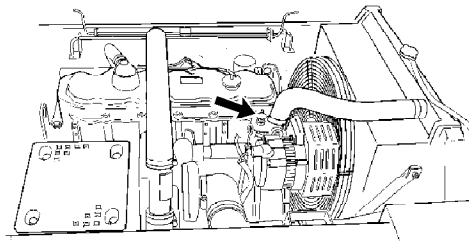


Illustration 334

g00811362

A typical example is shown.

Obtain the sample of the coolant as close as possible to the recommended sampling interval. In order to receive the full effect of S·O·S analysis, you must establish a consistent trend of data. In order to establish a pertinent history of data, perform consistent samplings that are evenly spaced. Supplies for collecting samples can be obtained from your Caterpillar dealer.

Use the following guidelines for proper sampling of the coolant:

- Complete the information on the label for the sampling bottle before you begin to take the samples.
- Keep the unused sampling bottles stored in plastic bags.
- Obtain coolant samples directly from the coolant sample port. You should not obtain the samples from any other location.
- Keep the lids on empty sampling bottles until you are ready to collect the sample.
- Place the sample in the mailing tube immediately after obtaining the sample in order to avoid contamination.
- Never collect samples from expansion bottles.
- Never collect samples from the drain for a system.

Submit the sample for Level 1 analysis.

For additional information about coolant analysis, see Special Publication, SEBU6250, "Caterpillar Machine Fluids Recommendations" or consult your Caterpillar dealer.

i07349178

Cooling System Coolant Sample (Level 2) - Obtain

SMCS Code: 1395-554; 1395-008; 7542

Reference: Refer to Operation and Maintenance Manual, "Cooling System Coolant Sample (Level 1) - Obtain" for the guidelines for proper sampling of the coolant.

Obtain the sample of the coolant as close as possible to the recommended sampling interval. Supplies for collecting samples can be obtained from your Cat dealer.

Submit the sample for Level 2 analysis.

Reference: For additional information about coolant analysis, refer to Special Publication, SEBU6250, "Caterpillar Machine Fluids Recommendations" or consult your Cat dealer.

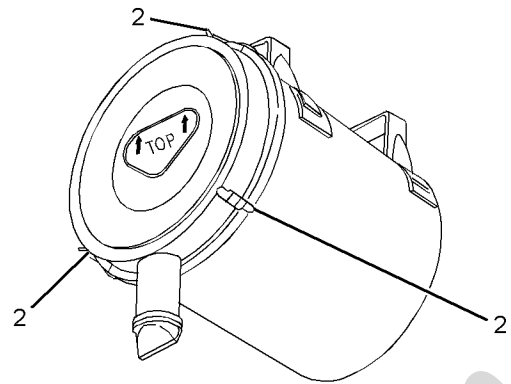


Illustration 336

g01266486

- Loosen the cover latches (2) and remove the air cleaner cover.

i02530911

Engine Air Filter Primary Element - Clean/Replace

SMCS Code: 1054-510; 1054-070

If a warning and a pictograph is displayed on the message display or if the exhaust is black, check the primary filter.

- Open both access doors on the left side of the machine.

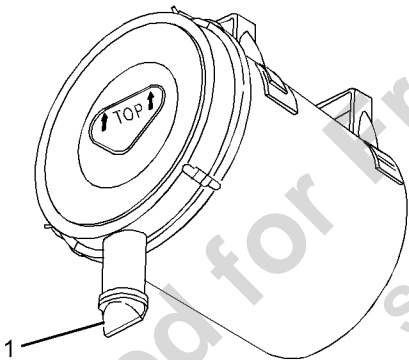


Illustration 335

g01266485

- Squeeze the outlet tube (1) slightly in order to purge the dirt from the outlet tube.

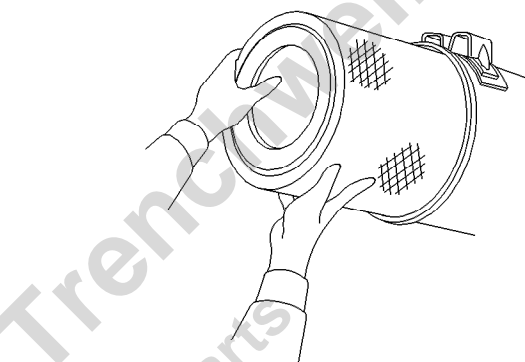


Illustration 337

g00101415

- Remove the primary filter element from the air cleaner housing.
- Clean the air cleaner cover and the inside of the air cleaner housing.
- Inspect the O-ring seal on the air cleaner cover. Replace the O-ring seal if the O-ring seal is worn or damaged.
- Install the clean primary filter.

Note: Refer to "Cleaning Primary Air Filter Elements".

- Install the air cleaner cover and close the latches securely.



Illustration 338

g00101416

Note: Install the air cleaner cover properly. The arrows must point upward.

9. Change the filter if any of the following conditions occurs:

- Restricted Air Filter indicator on the monitor panel still comes on.
- Exhaust smoke is still black after the installation of a primary filter.

10. Close the access doors.

Cleaning Primary Air Filter Elements

NOTICE

Caterpillar recommends certified air filter cleaning services available at participating Caterpillar dealers. The Caterpillar cleaning process uses proven procedures to assure consistent quality and sufficient filter life.

Observe the following guidelines if you attempt to clean the filter element:

Do not tap or strike the filter element in order to remove dust.

Do not wash the filter element.

Use low pressure compressed air in order to remove the dust from the filter element. Air pressure must not exceed 207 kPa (30 psi). Direct the air flow up the pleats and down the pleats from the inside of the filter element. Take extreme care in order to avoid damage to the pleats.

Do not use air filters with damaged pleats, gaskets, or seals. Dirt entering the engine will cause damage to engine components.

When the primary air filter element is cleaned, check for rips or tears in the filter material. Replace the primary air filter element after the primary air filter element has been cleaned six times. The primary air filter element should be replaced at least one time per year. This replacement should be performed regardless of the number of cleanings.

NOTICE

Do not clean the air filter elements by bumping or tapping. This could damage the seals. Do not use elements with damaged pleats, gaskets, or seals. Damaged elements will allow dirt to pass through. Engine damage could result.

Visually inspect the primary air filter elements before cleaning. Inspect the air filter elements for damage to the seal, the gaskets, and the outer cover. Discard any damaged air filter elements.

There are two common methods that are used to clean primary air filter elements:

- Pressurized air
- Vacuum cleaning

Pressurized Air

Pressurized air can be used to clean primary air filter elements that have not been cleaned more than two times. Pressurized air will not remove deposits of carbon and oil. Use filtered, dry air with a maximum pressure of 207 kPa (30 psi).

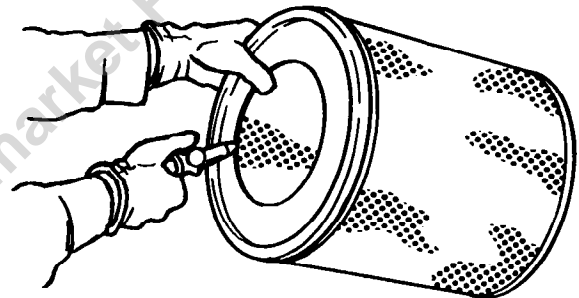


Illustration 339

g00281692

Note: When the primary air filter elements are cleaned, always begin with the clean side (inside) in order to force dirt particles toward the dirty side (outside).

Aim the hose so that the air flows inside the element along the length of the filter in order to help prevent damage to the paper pleats. Do not aim the stream of air directly at the primary air filter element. Dirt could be forced further into the pleats.

Vacuum Cleaning

Vacuum cleaning is another method for cleaning primary air filter elements which require daily cleaning because of a dry, dusty environment. Cleaning with pressurized air is recommended prior to vacuum cleaning. Vacuum cleaning will not remove deposits of carbon and oil.

Inspecting the Primary Air Filter Elements

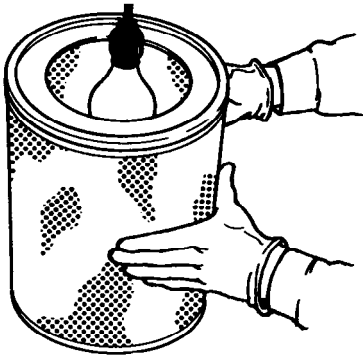


Illustration 340

g00281693

Inspect the clean, dry primary air filter element. Use a 60 watt blue light in a dark room or in a similar facility. Place the blue light in the primary air filter element. Rotate the primary air filter element. Inspect the primary air filter element for tears and/or holes. Inspect the primary air filter element for light that may show through the filter material. If it is necessary in order to confirm the result, compare the primary air filter element to a new primary air filter element that has the same part number.

Do not use a primary air filter element that has any tears and/or holes in the filter material. Do not use a primary air filter element with damaged pleats, gaskets or seals. Discard damaged primary air filter elements.

Storing Primary Air Filter Elements

If a primary air filter element that passes inspection will not be used, the primary air filter element can be stored for future use.

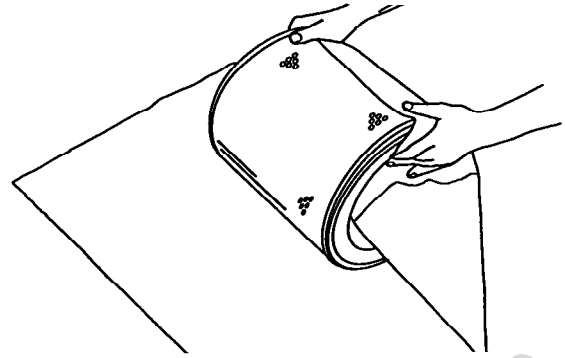


Illustration 341

g00281694

Do not use paint, a waterproof cover, or plastic as a protective covering for storage. An air flow restriction may result. To protect against dirt and damage, wrap the primary air filter elements in Volatile Corrosion Inhibited (VCI) paper.

Place the primary air filter element into a box for storage. For identification, mark the outside of the box and mark the primary air filter element. Include the following information:

- Date of cleaning
- Number of cleanings

Store the box in a dry location.

i05770379

Engine Air Filter Secondary Element - Replace

SMCS Code: 1054-510

NOTICE

Always replace the secondary filter element. Never attempt to reuse the secondary filter element by cleaning the element.

When the primary filter element is replaced, the secondary filter element should be replaced.

The secondary filter element should also be replaced if the air filter restriction warning appears on the message display after the installation of a clean primary filter element.

1. Open the access door on the front left side of the machine.
2. See Operation and Maintenance Manual, "Engine Air Filter Primary Element - Clean/Replace". Remove the air cleaner cover from the air cleaner housing. Remove the primary filter element from the air cleaner housing.

Maintenance Section
Engine Crankcase Breather - Clean

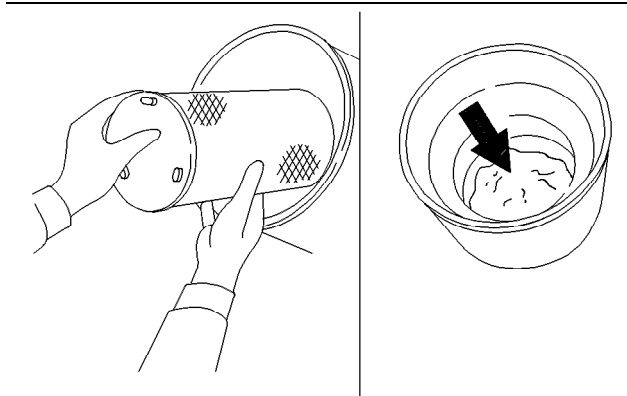


Illustration 342

g00101451

3. Remove the secondary filter element.
4. Cover the air inlet opening. Clean the inside of the air cleaner housing.
5. Remove the cover from the air inlet opening.
6. Install the new secondary filter element.
7. Install the primary filter element.
8. Install the air cleaner cover and close the latches securely.
9. Close the access door.

i01584904

Engine Crankcase Breather - Clean

SMCS Code: 1317-070-DJ

1. Open the engine hood.

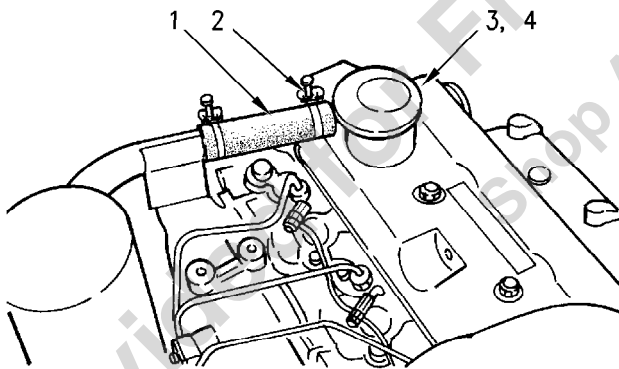


Illustration 343

g00824179

2. Loosen hose clamp (2) and disconnect outlet hose (1) from breather (3).
3. Remove breather (3) and O-ring seal (4).

4. Wash breather (3) in clean, nonflammable solvent.
5. Inspect O-ring seal (4). If the seal is damaged, install a new seal.
6. Install O-ring seal (4) and clean breather (3).
7. Slide outlet hose (1) on breather (3). Tighten hose clamp (2).
8. Close the engine hood.

i02865726

Engine Oil Level - Check

SMCS Code: 1000-535

WARNING

Hot oil and hot components can cause personal injury. Do not allow hot oil or hot components to contact skin.

NOTICE

Do not overfill the crankcase. Engine damage can result.

Note: This machine is equipped with both an automated function for checking fluid levels and a dipstick. Refer to Operation and Maintenance Manual, "Monitoring System" regarding the automated system. If the machine is on an incline or the engine has been stopped only for a short time, then the engine oil does not return to the crankcase and the fluid level cannot be properly checked by either method. Park the machine on level ground and check the oil level after the engine has been stopped for at least 30 minutes.

Check the oil level while the engine is stopped. Do not check the oil level while the engine is running.

1. Open the hood.

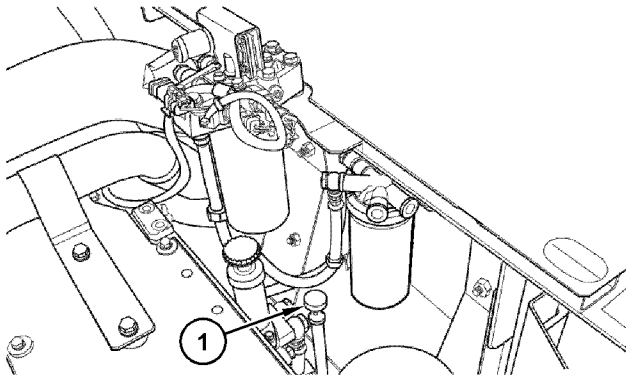


Illustration 344

g01365881

2. Remove the dipstick (1). Wipe the oil off the dipstick (1) and insert the dipstick (1).

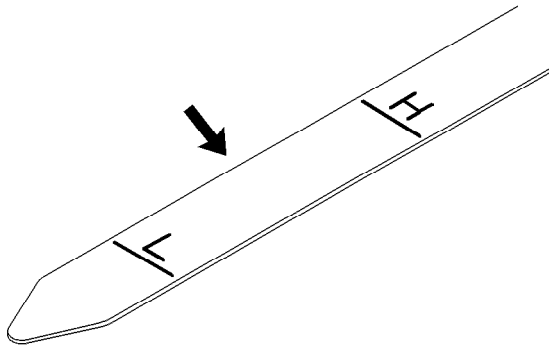


Illustration 345

g00824185

3. Remove the dipstick (1) and check the dipstick (1). The oil level should be between the "H" mark and the "L" mark.

NOTICE

Operating your engine when the oil level is above the "H" mark could cause the crankshaft to dip into the oil. This could lead to excessively high oil temperatures which can reduce the lubricating characteristics of the oil, lead to bearing damage, and could result in loss of engine power.

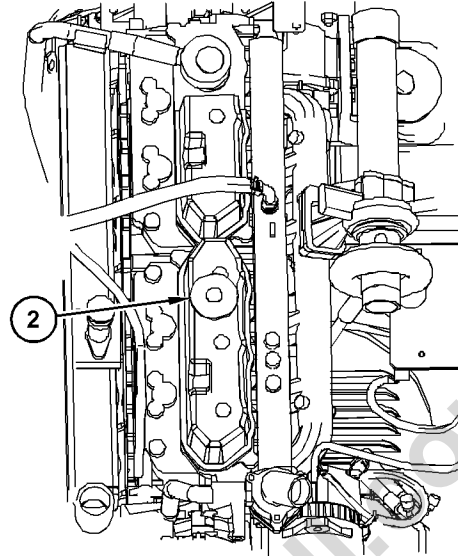


Illustration 346

g01365841

Note: Refer to Operation and Maintenance Manual, "General Hazard Information" for information on Containing Fluid Spillage.

4. Remove the oil filler plug (2) in order to add oil, if necessary. See Operation and Maintenance Manual, "Lubrication Viscosity".

Note: If the oil is deteriorated or badly contaminated, change the oil regardless of the maintenance interval.

5. Clean the oil filler plug (2). Install the oil filler plug (2).
6. Close the hood.

i05784857

Engine Oil Sample - Obtain

SMCS Code: 1000-008; 1000; 1348-008; 1348-554-SM; 7542-554-SM; 7542-554-OC; 7542-008

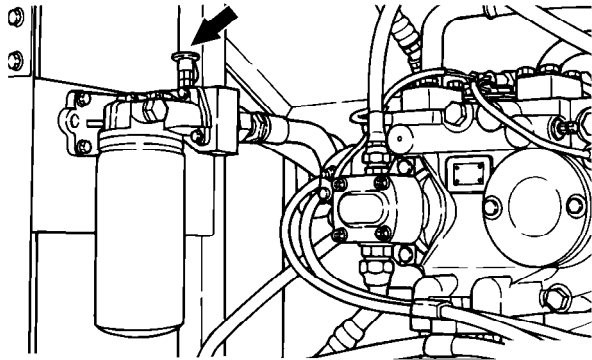


Illustration 347

g00750336

Obtain a sample of the engine oil from the engine oil sampling valve that is located on the engine oil filter housing. Refer to Special Publication, SEBU6250, "S·O·S Oil Analysis" for information that pertains to obtaining a sample of the engine oil. Refer to Special Publication, PEGJ0047, "How To Take A Good Oil Sample" for more information about obtaining a sample of the engine oil.

i02720183

Engine Oil and Filter - Change

SMCS Code: 1318-510

WARNING

Hot oil and hot components can cause personal injury. Do not allow hot oil or hot components to contact skin.

Note: If the sulfur content in the fuel is greater than 1.5% by weight, use an oil that has a TBN of 30 and reduce the oil change interval by one-half.

Park the machine on a level surface and engage the parking brake. Stop the engine.

Note: Drain the crankcase while the oil is warm. This allows waste particles that are suspended in the oil to drain. As the oil cools, the waste particles will settle to the bottom of the crankcase. The particles will not be removed by draining the oil and the particles will recirculate in the engine lubrication system with the new oil.

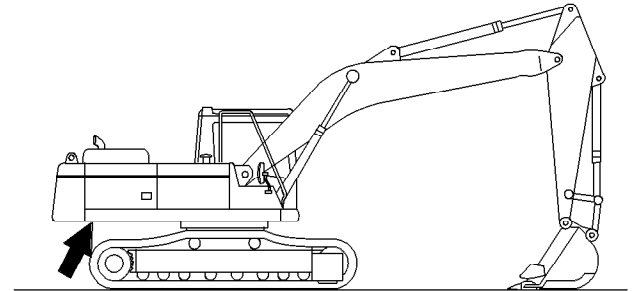


Illustration 348

g00101627

1. The drain valve for the engine crankcase oil is located under the rear of the upper structure.

Note: Refer to Operation and Maintenance Manual, "General Hazard Information" for information on Containing Fluid Spillage.

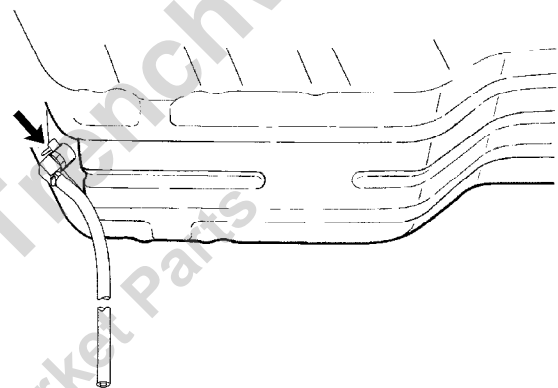


Illustration 349

g00937651

2. Open the crankcase drain valve. Allow the oil to drain into a suitable container.

Note: Discard any drained fluids according to local regulations.

3. Close the drain valve.
4. Open the access door on the right side of the machine.

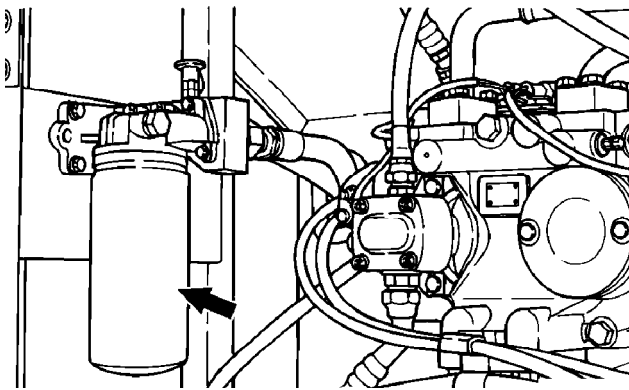


Illustration 350

g01365879

5. Remove the oil filter. See Operation and Maintenance Manual, "Oil Filter - Inspect". Discard the used oil filter properly.
6. Clean the filter housing base. Make sure that all of the former filter gasket is removed.
7. Apply a thin coat of engine oil to the gasket of the new filter.
8. Install the new oil filter by hand.

Instructions for the installation of the filter are printed on the side of each Caterpillar spin-on filter. For non-Caterpillar filters, refer to the installation instructions that are provided by the supplier of the filter.

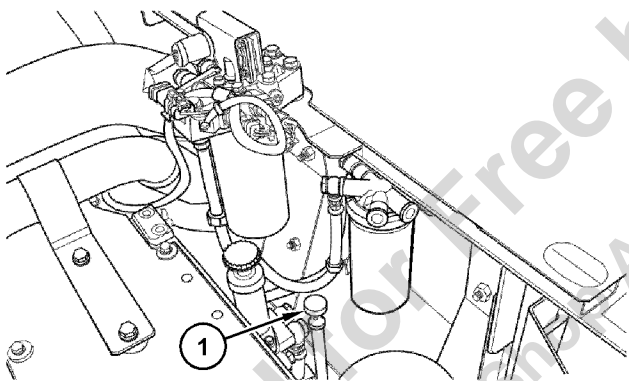


Illustration 351

g01365881

(1) Dipstick

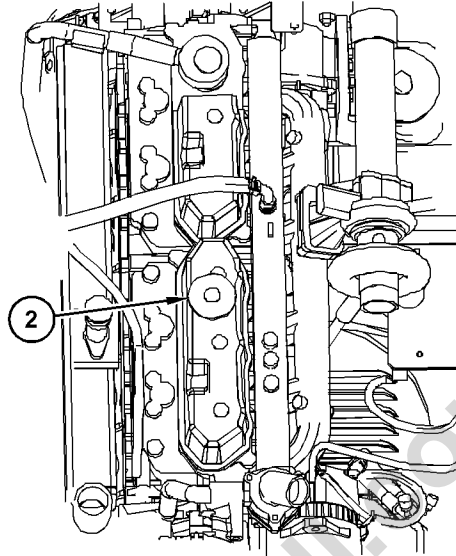


Illustration 352

g01365841

(2) Oil filler plug

9. Remove oil filler plug (2). Fill the crankcase with new oil. See Operation and Maintenance Manual, "Capacities (Refill)" and Operation and Maintenance Manual, "Lubricant Viscosities". Clean the oil filler plug and install the oil filler plug.

NOTICE

Do not under fill or overfill engine crankcase with oil. Either condition can cause engine damage.

10. Start the engine and allow the oil to warm. Check the engine for leaks. Stop the engine.

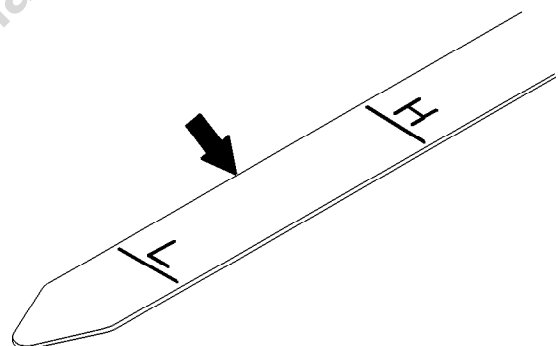


Illustration 353

g00104116

11. Wait for 30 minutes in order to allow the oil to drain back into the crankcase. Check the oil level with dipstick (1). Maintain the oil between the "H" and "L" marks on the dipstick. If necessary, add oil.

12. Close the access door.

i01747875

Engine Valve Lash - Check

SMCS Code: 1102-082; 1102; 1102-535; 1105-025; 1105-535; 1121-535; 1209-535; 1209; 1209-082; 7527

Refer to Engine Systems Operation/Testing and Adjusting in order to perform the complete procedure for the valve lash adjustment.

i06882903

Final Drive Oil - Change

SMCS Code: 4050-044-FLV

WARNING

Hot oil and hot components can cause personal injury. Do not allow hot oil or hot components to contact skin.

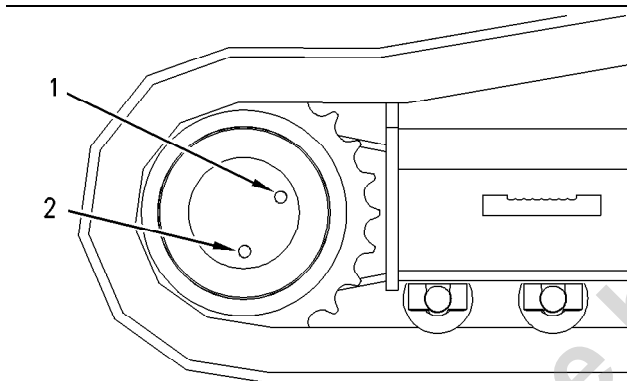


Illustration 354

g00822278

- (1) Oil level plug
 (2) Oil drain plug

1. Position one final drive so that oil drain plug (2) is at the bottom.

Note: Refer to Operation and Maintenance Manual, "General Hazard Information" for information on Containing Fluid Spillage.

2. Remove drain plug (2) and level plug (1). Allow the oil to drain into a suitable container.
3. Clean the plugs and inspect the O-ring seals. If wear or damage is evident, replace the drain plug, the level plug, and/or the O-ring seals.
4. Install drain plug (2).

5. Fill the final drive to the bottom of the opening on level plug (1). See Operation and Maintenance Manual, "Lubricant Viscosities" and Operation and Maintenance Manual, "Capacities (Refill)".

Note: If the oil fills slowly, the fill hole may be blocked by the planetary gear. Rotate the final drive to move the planetary gear away from the fill hole.

Note: Overfilling the final drive will cause the seals on the travel motor to allow hydraulic oil or water to enter the final drive. The final drive may become contaminated.

6. Install level plug (1).

7. Perform Step 1 to Step 6 on the other final drive. Use a different container for the oil so that the oil samples from the final drives will be separate.

8. Completely remove the oil that has spilled onto surfaces.

9. Start the machine and allow the final drives to run through several cycles.

10. Stop the machine. Check the oil level.

11. Check the drained oil for metal chips or for particles. If there are any chips or particles, consult your Cat dealer.

12. Properly dispose of the drained material. Obey local regulations for the disposal of the material.

i03914051

Final Drive Oil Level - Check

SMCS Code: 4050-535-FLV

WARNING

Hot oil and hot components can cause personal injury. Do not allow hot oil or hot components to contact skin.

i03756611

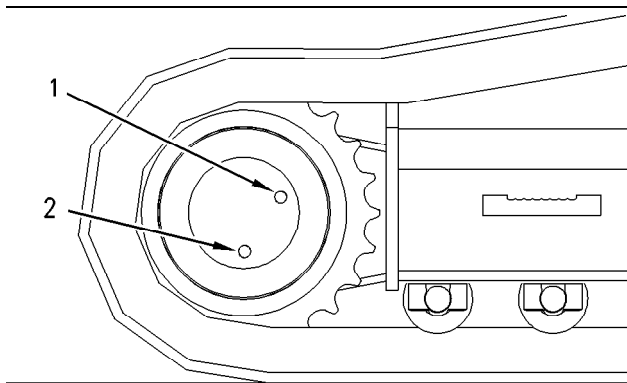


Illustration 355

g00822278

- (1) Oil level plug
(2) Oil drain plug

1. Position one final drive so that oil drain plug (2) is at the bottom.

Note: Refer to Operation and Maintenance Manual, "General Hazard Information" for information on Containing Fluid Spillage.

2. Remove oil level plug (1).
3. Check the oil level. The oil should be near the bottom of the level plug opening.
4. Add oil through the level plug opening, if necessary. See Operation and Maintenance, "Lubricant Viscosities".

Note: If the oil fills slowly, the fill hole may be blocked by the planetary gear. Rotate the final drive in order to move the planetary gear away from the fill hole.

Note: Overfilling the final drive will cause the seals on the travel motor to allow hydraulic oil or water to enter the final drive. The final drive may become contaminated.

5. Clean oil level plug (1). Inspect the O-ring seal. Replace the O-ring seal if the O-ring seal is worn or damaged.
6. Install oil level plug (1).
7. Repeat the procedure for the other final drive.

Final Drive Oil Sample - Obtain

SMCS Code: 4011-008; 4050-SM; 4050-008; 7542-008

WARNING

Hot oil and hot components can cause personal injury. Do not allow hot oil or hot components to contact skin.

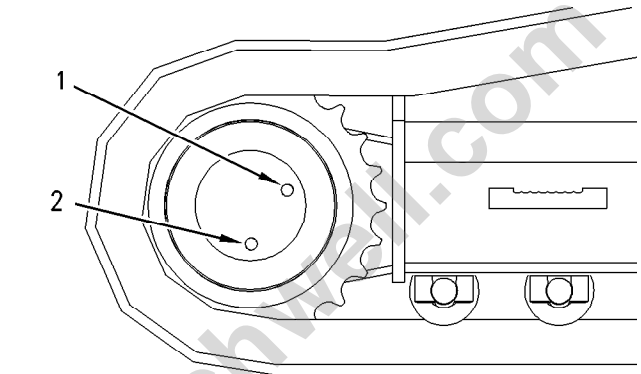


Illustration 356

g00822278

- (1) Oil level plug
(2) Oil drain plug

1. Position the final drive so that oil drain plug (2) is at the bottom.

Note: Refer to Operation and Maintenance Manual, "General Hazard Information" for information on Containing Fluid Spillage.

2. Remove oil level plug (1).
3. Obtain a sample of the final drive oil through the hole for the oil level plug.
4. Install oil level plug (1).

Refer to Special Publication, SEBU6250, "Caterpillar Machine Fluids Recommendations" "S·O·S Oil Analysis" for more information on obtaining a sample of the final drive oil. For additional information about taking an oil sample, refer to Special Publication, PEGJ0047, "How To Take A Good Oil Sample".

i02674917

Fuel System - Prime

SMCS Code: 1250-548

WARNING

Personal injury or death may result from failure to adhere to the following procedures.

Fuel leaked or spilled onto hot surfaces or electrical components can cause a fire.

Clean up all leaked or spilled fuel. Do not smoke while working on the fuel system.

Turn the disconnect switch OFF or disconnect the battery when changing fuel filters.

1. Open the engine hood.

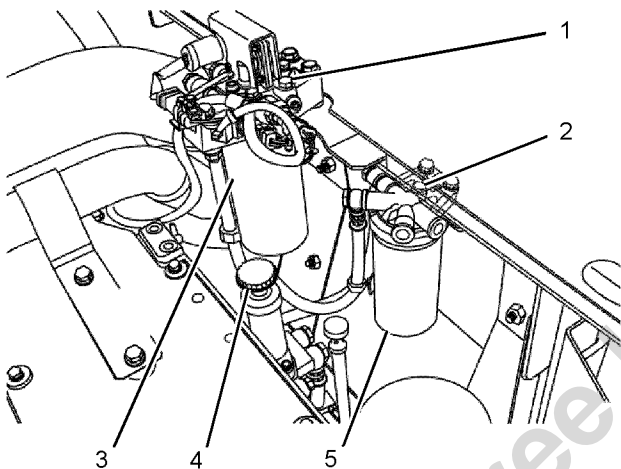


Illustration 357

g01344046

- (1) Air vent
- (2) Air vent
- (3) Secondary fuel filter
- (4) Priming pump plunger
- (5) Third fuel filter

Note: Refer to Operation and Maintenance Manual, "General Hazard Information" for information on containing fluid spillage.

2. Loosen air vent (1) on the secondary fuel filter (3).
3. Rotate priming pump plunger (4) in a counterclockwise rotation. Rotate the plunger until the plunger becomes unlocked. Operate the priming pump plunger.

4. Tighten air vent (1) when the fuel flow is free of air bubbles.
5. Loosen air vent (2) on the third fuel filter (5).
6. Operate priming pump plunger (4).
7. Tighten air vent (2) when the fuel flow is free of air bubbles.
8. Push the plunger (4) inward and rotate the plunger clockwise.

i03927249

Fuel System Fourth Filter - Replace (If Equipped)

SMCS Code: 1261-510

WARNING

Personal injury or death may result from failure to adhere to the following procedures.

Fuel leaked or spilled onto hot surfaces or electrical components can cause a fire.

Clean up all leaked or spilled fuel. Do not smoke while working on the fuel system.

Turn the disconnect switch OFF or disconnect the battery when changing fuel filters.

NOTICE

Turn the disconnect switch OFF or disconnect the battery when changing fuel filters.

Do not fill fuel filters with fuel before installing them. Contaminated fuel will cause accelerated wear to fuel systems parts.

1. Open the engine hood.

Note: Refer to Operation and Maintenance Manual, "General Hazard Information" for information on containing fluid spillage.

i03016220

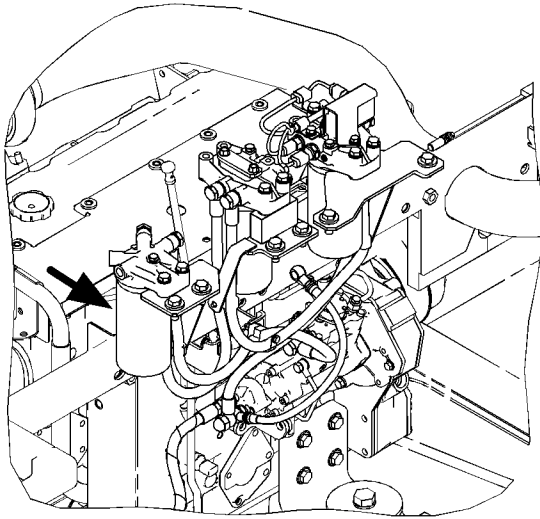


Illustration 358

g02153158

2. Remove the filter.

Note: Always discard used filters according to local regulations.

3. Clean the filter mounting base. Make sure that all of the old filter seal is removed.
4. Apply clean diesel fuel to the seal of the new fuel filter.
5. Install the new fuel filter hand tight until the seal of the fuel filter contacts the filter mounting base.

Note: Instructions for the installation of the filter are printed on the side of each Caterpillar spin-on filter. For non-Caterpillar filters, refer to the installation instructions that are provided by the supplier of the filter.

Note: You may need to use a Caterpillar strap wrench, or another suitable tool, to turn the filter to the amount required for final installation. Make sure that the installation tool does not damage the filter.

6. Prime the fuel system. See Operation and Maintenance Manual, "Fuel System - Prime" for instructions.
7. Close the engine hood.

Fuel System Primary Filter (Water Separator) Element - Replace

SMCS Code: 1263-510-FQ

Note: The replacement interval for this filter is recommended at every 250 service hours or monthly for machines that meet the following conditions for severe applications:

- Poor fuel storage or poor refueling procedures
- Poor fuel cleanliness or low fuel quality
- Dusty conditions

Machines that are operated in normal applications should follow the replacement interval of every 500 service hours or 3 months.

WARNING

Personal injury or death may result from failure to adhere to the following procedures.

Fuel leaked or spilled onto hot surfaces or electrical components can cause a fire.

Clean up all leaked or spilled fuel. Do not smoke while working on the fuel system.

Turn the disconnect switch OFF or disconnect the battery when changing fuel filters.

NOTICE

Do not fill the fuel filters with fuel before installing the fuel filters. The fuel will not be filtered and could be contaminated. Contaminated fuel will cause accelerated wear to fuel system parts.

The primary filter/water separator is located behind the left rear access door.

1. Open the rear access door on the left side of the machine.

Maintenance Section
 Fuel System Primary Filter (Water Separator) Element - Replace

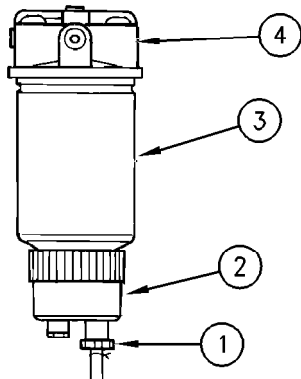


Illustration 359

g00752052

- (1) Drain valve
- (2) Bowl
- (3) Filter
- (4) Filter base

2. Turn drain valve (1) counterclockwise in order to open. The drain valve is located on the bottom of the water separator.

Note: Refer to Operation and Maintenance Manual, "General Hazard Information" for information that pertains to containing fluid spillage.

3. Drain the water and the sediment into a suitable container.

Note: Dispose of used fluids according to local regulations.

4. Close the drain valve (1).

5. Remove filter (3) from filter base (4). A filter wrench may be used to loosen the filter.

6. Remove filter (3) from bowl (2). Discard the used filter.

7. Clean the inside surfaces of filter base (4) and bowl (2).

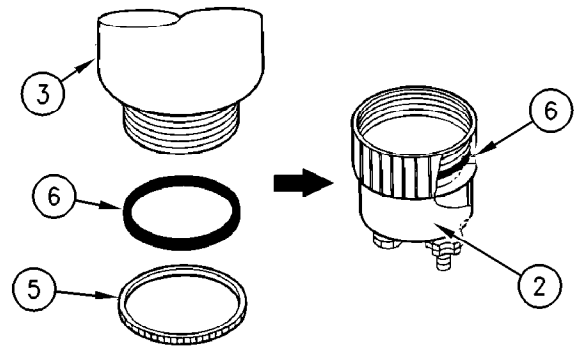


Illustration 360

g00752055

- (2) Bowl
- (3) Filter
- (5) Cap
- (6) Seal

8. Remove cap (5) from the bottom of new filter (3). Remove seal (6) from cap (5).

9. Install seal (6) in a groove of bowl (2).

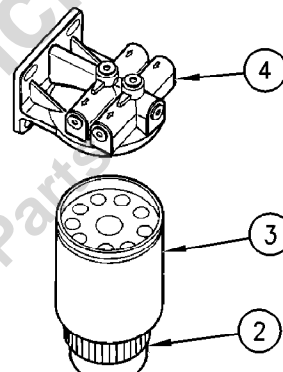


Illustration 361

g00752056

- (2) Bowl
- (3) Filter
- (4) Filter base

10. Install bowl (2) to a new filter (3). Securely tighten bowl (2) to filter (3).

11. Install filter (3) in filter base (4). Securely tighten filter (3) to filter base (4).

Instructions for the installation of the filter are printed on the side of each Caterpillar spin-on filter. For non-Caterpillar filters, refer to the installation instructions that are provided by the supplier of the filter.

Note: Do not start the engine until all service to the fuel system is complete. For instructions about priming the fuel system, refer to Operation and Maintenance Manual, "Fuel System - Prime".

12. Close the access door.

i03017492

Fuel System Secondary Filter - Replace

SMCS Code: 1261-510

Note: The replacement interval for this filter is recommended at every 250 service hours or monthly for machines that meet the following conditions for severe applications:

- Poor fuel storage or poor refueling procedures
- Poor fuel cleanliness or low fuel quality
- Dusty conditions

Machines that are operated in normal applications should follow the replacement interval of every 500 service hours or 3 months.

WARNING

Personal injury or death may result from failure to adhere to the following procedures.

Fuel leaked or spilled onto hot surfaces or electrical components can cause a fire.

Clean up all leaked or spilled fuel. Do not smoke while working on the fuel system.

Turn the disconnect switch OFF or disconnect the battery when changing fuel filters.

NOTICE

Turn the disconnect switch OFF or disconnect the battery when changing fuel filters.

Do not fill fuel filters with fuel before installing them. Contaminated fuel will cause accelerated wear to fuel systems parts.

1. Open the engine hood.

Note: Refer to Operation and Maintenance Manual, "General Hazard Information" for information on containing fluid spillage.

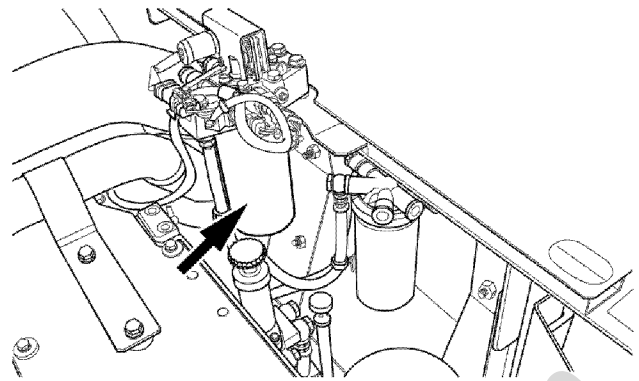


Illustration 362

g01354318

2. Remove the filter.

Note: Always discard used filters according to local regulations.

3. Clean the filter mounting base. Make sure that all of the old filter seal is removed.

4. Apply clean diesel fuel to the seal of the new fuel filter.

5. Install the new fuel filter hand tight until the seal of the fuel filter contacts the filter mounting base.

Note: Instructions for the installation of the filter are printed on the side of each Caterpillar spin-on filter. For non-Caterpillar filters, refer to the installation instructions that are provided by the supplier of the filter.

Note: You may need to use a Caterpillar strap wrench, or another suitable tool, in order to turn the filter to the amount that is required for final installation. Make sure that the installation tool does not damage the filter.

6. Prime the fuel system. See Operation and Maintenance Manual, "Fuel System - Prime" for instructions.

7. Close the engine hood.

i02700131

Fuel System Third Filter - Replace

SMCS Code: 1261-510

WARNING

Personal injury or death may result from failure to adhere to the following procedures.

Fuel leaked or spilled onto hot surfaces or electrical components can cause a fire.

Clean up all leaked or spilled fuel. Do not smoke while working on the fuel system.

Turn the disconnect switch OFF or disconnect the battery when changing fuel filters.

NOTICE

Turn the disconnect switch OFF or disconnect the battery when changing fuel filters.

Do not fill fuel filters with fuel before installing them. Contaminated fuel will cause accelerated wear to fuel systems parts.

1. Open the engine hood.

Note: Refer to Operation and Maintenance Manual, "General Hazard Information" for information on containing fluid spillage.

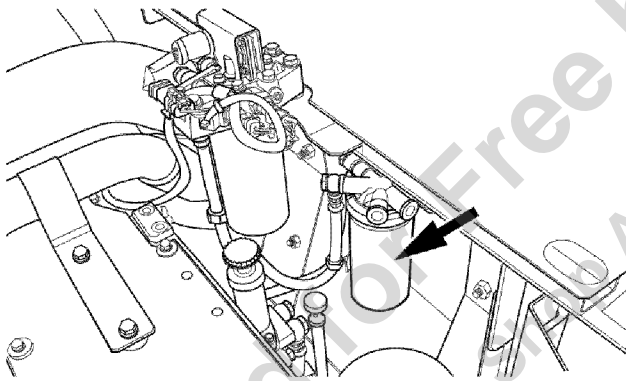


Illustration 363

g01354352

2. Remove the filter.

Note: Always discard used filters according to local regulations.

3. Clean the filter mounting base. Make sure that all of the old filter seal is removed.

4. Apply clean diesel fuel to the seal of the new fuel filter.
5. Install the new fuel filter hand tight until the seal of the fuel filter contacts the filter mounting base.

Note: Instructions for the installation of the filter are printed on the side of each Caterpillar spin-on filter. For non-Caterpillar filters, refer to the installation instructions that are provided by the supplier of the filter.

Note: You may need to use a Caterpillar strap wrench, or another suitable tool, in order to turn the filter to the amount that is required for final installation. Make sure that the installation tool does not damage the filter.

6. Prime the fuel system. See Operation and Maintenance Manual, "Fuel System - Prime" for instructions.

7. Close the engine hood.

i02529331

Fuel System Water Separator - Drain

SMCS Code: 1263

1. Open the rear access door on the left side of the machine.
2. Provide a suitable container for used fluid.

Note: Refer to Operation and Maintenance Manual, "General Hazard Information" for information on Containing Fluid Spillage.

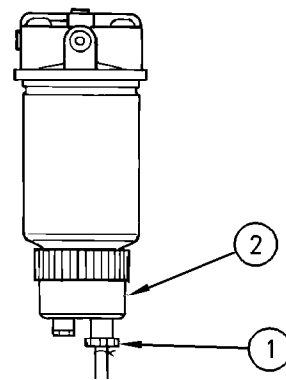


Illustration 364

g00751973

- (1) Drain valve
- (2) Bowl

3. Check bowl (2) in the bottom of the water separator. Open drain valve (1). Drain the water and sediment in the bowl.

Note: Dispose of used fluids according to local regulations.

4. Close drain valve (1).
5. Close the rear access door.

i01589598

Fuel Tank Cap and Strainer - Clean

SMCS Code: 1273-070-STR

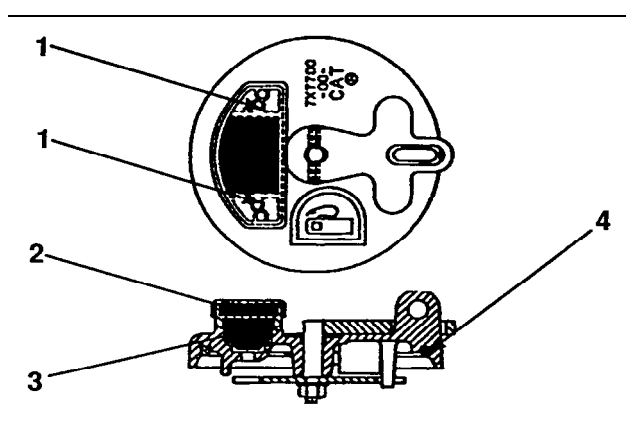


Illustration 365

g00824193

1. Remove the fuel cap.
2. Inspect seal (4) for damage. Replace the seal, if necessary.
3. Remove screws (1), filter assembly (2), drain valve (3) and the gaskets.

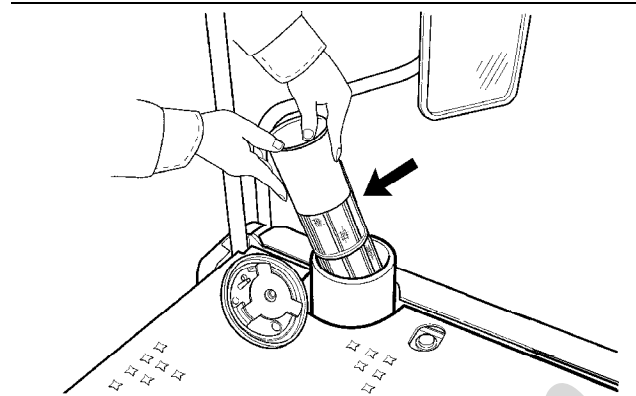


Illustration 366

g00824196

Note: Refer to Operation and Maintenance Manual, "General Hazard Information" for information on Containing Fluid Spillage.

4. Remove the strainer that is located in the filler opening.
5. Wash the strainer and the fuel tank cap in a clean, nonflammable solvent.
6. Install a new cap filter kit. Install the gaskets, drain valve (3), filter assembly (2), and screws (1).
7. Install the strainer into the filler opening.
8. Install the fuel tank cap.

i04363385

Fuel Tank Water and Sediment - Drain

SMCS Code: 1273-543

Refer to this Operation and Maintenance Manual, "Fuel Tank Shutoff and Drain Control" for the exact location of the fuel tank drain valve

Note: Refer to Operation and Maintenance Manual, "General Hazard Information" for information on containing fluid spillage.

Provided for Free by [TruckPartsWell.com](http://www.TruckPartsWell.com)
Shop Aftermarket Parts

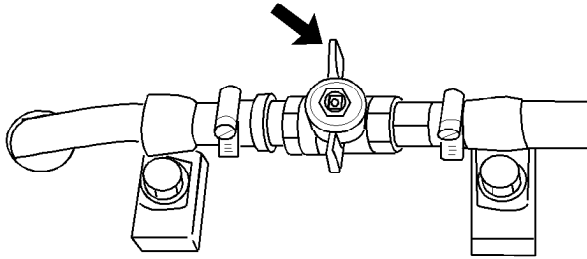


Illustration 367 g01043694
Typical example

1. Open the drain valve by turning the valve counterclockwise. Allow the water and the sediment to drain into a suitable container.

Note: Dispose of drained fluids according to local regulations.

2. Close the drain valve by turning the valve clockwise.

i03479840

Fuses - Replace

SMCS Code: 1417-510

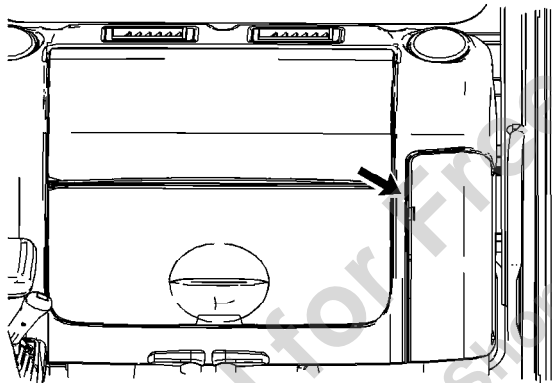


Illustration 368 g01101038

The fuse panel is located on the left side of the interior storage box. Remove the cover in order to access the fuses.



Fuses – Fuses protect the electrical system from damage that is caused by overloaded circuits. Change a fuse if the element separates. If the element of a new fuse separates, check the circuit and/or repair the circuit.

NOTICE

Always replace fuses with the same type and capacity fuse that was removed. Otherwise, electrical damage could result.

NOTICE

If it is necessary to replace fuses frequently, an electrical problem may exist.

Contact your Caterpillar dealer.

To replace a fuse, use the puller that is stored in the fuse panel. Two fuses of 5 Amperes, three fuses of 10 Amperes, two fuses of 15 Amperes, and one fuse of 30 Amperes are contained in the fuse panel as spare fuses.

The following list identifies the circuits that are protected by each fuse. The amperage for each fuse is included with each circuit.

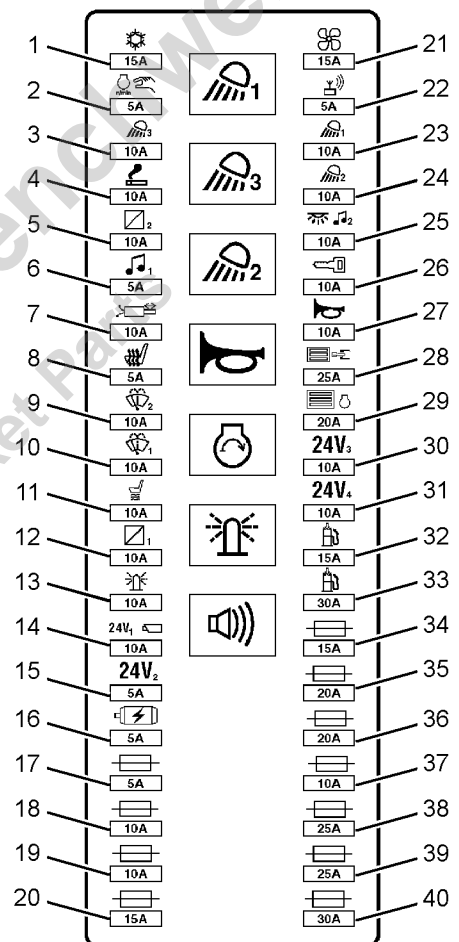


Illustration 369

g01818554

(1) Air Conditioner – 15 Amp

(2) Automatic Engine Speed Control (AEC) – 5 Amp

- (3) Chassis Light – 10 Amp
- (4) Cigar Lighter – 10 Amp
- (5) 12 Volt 7 Amp Converter – 10 Amp
- (6) Switch Panel And Radio – 5 Amp
- (7) Attachment Solenoid – 10 Amp
- (8) Seat Heater – 5 Amp
- (9) Window Wiper and Window Washer 2 – 10 Amp
- (10) Window Wiper and Window Washer 1 – 10 Amp
- (11) Air Suspension Seat – 10 Amp
- (12) 12 Volt 7 Amp Converter – 10 Amp
- (13) Beacon – 10 Amp
- (14) Inspection Lamp 1 and Camera – 10 Amp
- (15) Inspection Lamp 2 – 5 Amp
- (16) Alternator Regulator – 5 Amp
- (17) Spare – 5 Amp
- (18) Spare – 10 Amp
- (19) Spare – 10 Amp
- (20) Spare – 15 Amp
- (21) Heater and Air Conditioner Blower Fan – 15 Amp
- (22) Product Link – 5 Amp
- (23) Boom Light – 10 Amp
- (24) Cab Light – 10 Amp
- (25) Cab Dome Light and Radio Memory – 10 Amp
- (26) Engine Start Switch – 10 Amp
- (27) Horn – 10 Amp
- (28) Machine Control Module – 25 Amp
- (29) Engine Control Module (ECM) – 20 Amp
- (30) Inspection Lamp 3 – 10 Amp
- (31) Inspection Lamp 4 – 10 Amp
- (32) Electric Refueling Pump – 15 Amp
- (33) Electric Refueling Pump – 30 Amp
- (34) Spare – 15 Amp
- (35) Spare – 20 Amp
- (36) Spare – 20 Amp
- (37) Spare – 10 Amp

- (38) Spare – 25 Amp
- (39) Spare – 25 Amp
- (40) Spare – 30 Amp

Relays

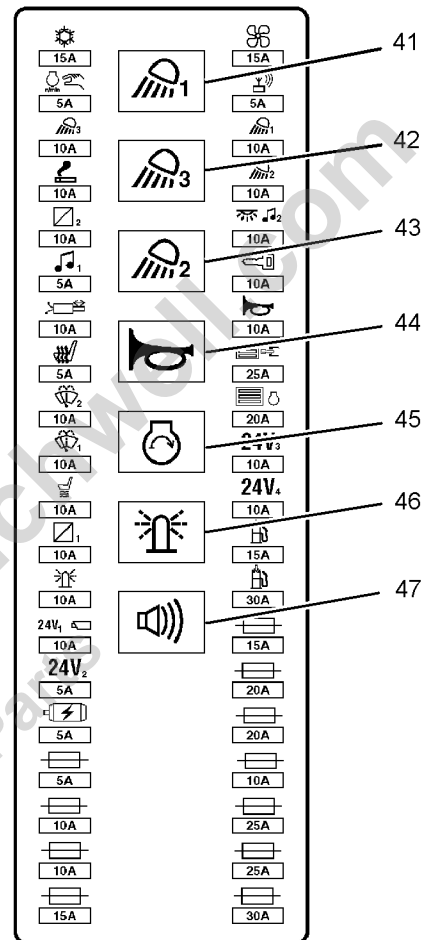


Illustration 370

g01818556

- (41) Boom Light – Relay
- (42) Chassis Lamp – Relay
- (43) Cab Lamp – Relay
- (44) Horn – Relay
- (45) Neutral Start – Relay
- (46) Beacon – Relay
- (47) Travel Alarm – Relay

i07349182

High Intensity Discharge Lamp (HID) - Replace (If Equipped)

SMCS Code: 1434-510

WARNING

HID lamps operate at very high voltages. To avoid electrical shock and personal injury, disconnect power before servicing HID lamps.

WARNING

HID bulbs become very hot during operation. Before servicing, remove power from lamp for at least five minutes to ensure lamp is cool.

NOTICE

Although HID bulb materials may change over time, HID bulbs produced at the time of the printing of this manual contain mercury. When disposing of this component, or any waste that contains mercury, please use caution and comply with any applicable laws.

1. Remove the electrical power from the high intensity discharge lamp (HID). The electrical power must be removed from the HID lamp for at least five minutes, in order to ensure that the bulb is cool.
2. Disassemble the housing for the HID lamp in order to have access to the bulb.

Note: On some HID lamps, the bulb is an integral part of the lens assembly. The bulb is not removed separately from the lens assembly. Replace the entire lens assembly on these HID lamps.

3. Remove the bulb from the HID lamp.
4. Install the replacement bulb in the HID lamp.

If the bulb is an integral part of the lens assembly, install the replacement lens assembly in the HID lamp.

Note: In order to avoid failure to the bulb that is premature, avoid touching the bulb's surface with your bare hands. Clean any fingerprints from the bulb with alcohol prior to operation.

5. Reassemble the housing for the HID lamp. Ensure that any printing on the lens is oriented correctly with respect to the HID lamp's mounting position on the machine.

6. Reattach the electrical power to the HID lamp.

7. Check the HID lamp for proper operation.

Note: Consult your Cat dealer for additional information on HID lamps.

i06890861

Hydraulic System Oil - Change

SMCS Code: 5056-044

Cat HYDO Advanced Oil Change Interval

The standard Cat HYDO Advanced oil change interval is every 6000 service hours or 3 years.

The 6000 service hour or 3 year maintenance interval for hydraulic oil (change) is strongly recommended with S·O·S monitoring of the hydraulic oil after 3000 service hours. The interval for S·O·S monitoring is every 500 hours. An oil change is strongly recommended when the oil deterioration or contamination is detected. The maintenance interval for the hydraulic oil filter is not changed.

Machines with hammers are not included in the 6000 service hour or 3 year maintenance interval. Machines with hammers must use the intervals that are listed in the Maintenance Interval Schedule. Machines that are used in severe conditions are not included in the 6000 service hour or 3 year maintenance interval. Machines that are used in severe conditions must use the 3000 service hour or 3 year maintenance interval.

Note: If Cat HYDO Advanced hydraulic oil is not used, the normal interval of 6000 hours is decreased to 2000 service hours or 1 year.

Consult your Cat dealer for details.

Procedure to Change the Hydraulic Oil

WARNING

Hot oil and hot components can cause personal injury. Do not allow hot oil or hot components to contact skin.

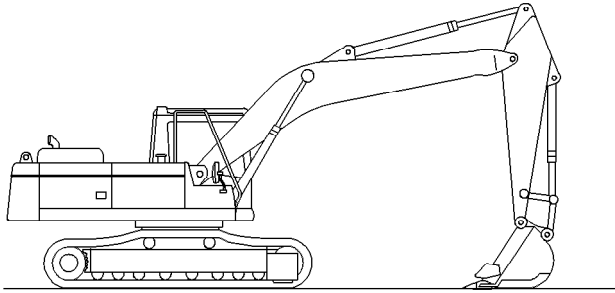


Illustration 371

g00101435

1. Park the machine on level ground. Lower the bucket to the ground so that the stick is vertical.
2. Open the engine access cover.

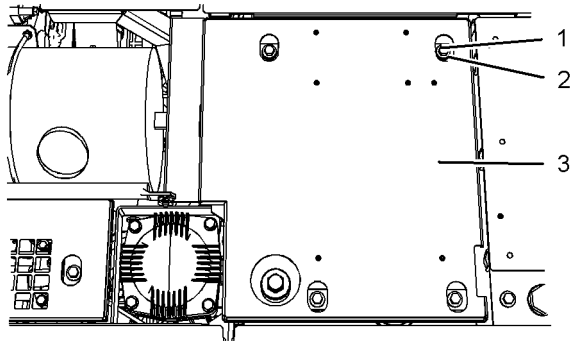


Illustration 372

g01121186

3. Remove bolts (1), washers (2), and cover (3) from the top of the hydraulic tank.

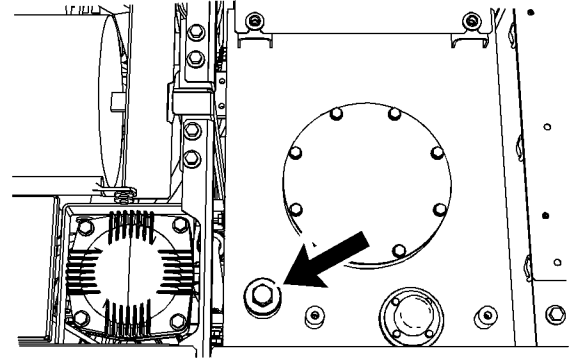


Illustration 373

g01121188

4. Clean the area thoroughly in order to keep dirt out of the screen cover. Clean the area thoroughly in order to keep dirt out of the fill/vent plug.
5. Relieve the internal pressure from the hydraulic tank by loosening the fill/vent plug. After the pressure is relieved, remove the fill/vent plug.

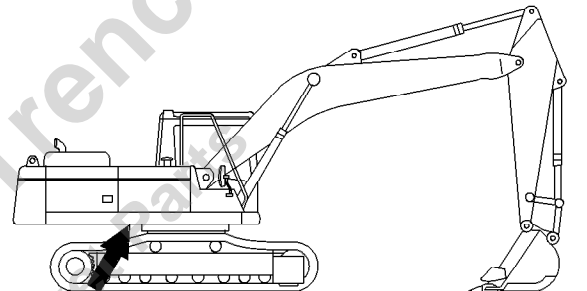


Illustration 374

g00101446

The oil drain valve is located under the hydraulic tank.

6. Remove the hydraulic tank access cover that is located under the upper structure. This will allow access to the drain valve.

Maintenance Section
Hydraulic System Oil - Change

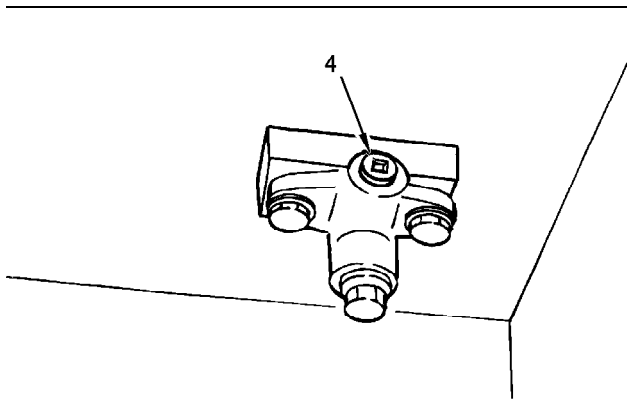


Illustration 375

g00687273

(4) Plug

Note: Refer to Operation and Maintenance Manual, "General Hazard Information" for information that pertains to containing fluid spillage.

7. Remove plug (4).

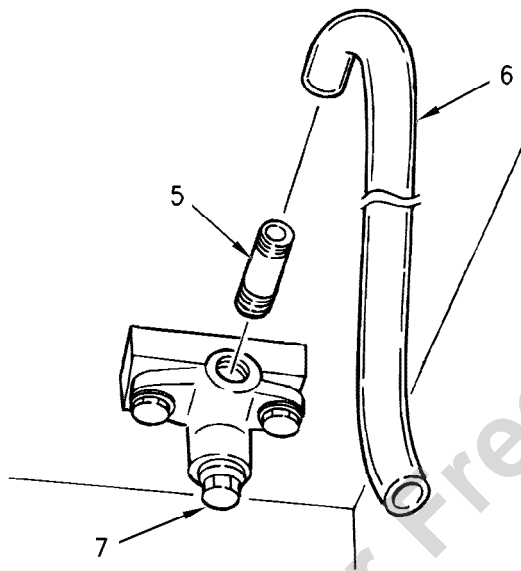


Illustration 376

g00687274

(5) Pipe Nipple
(6) Hose
(7) Drain plug

8. Replace plug (4) with a 3B-7271 Pipe Nipple (5) and hose (6).

9. Loosen drain plug (7) in order to drain the oil.

10. Drain the oil into a suitable container.

11. After the oil has been drained, tighten drain plug (7) to a torque of $110 \pm 15 \text{ N}\cdot\text{m}$ ($81 \pm 11 \text{ lb ft}$).

12. Remove Pipe Nipple (5) and hose (6).

13. Clean plug (4) and install the plug. Tighten the plug to a torque of $75 \pm 5 \text{ N}\cdot\text{m}$ ($55 \pm 48 \text{ lb ft}$).

14. Open the access door on the right side of the machine.

15. Clean the pump, the hydraulic lines, and the hydraulic tank.

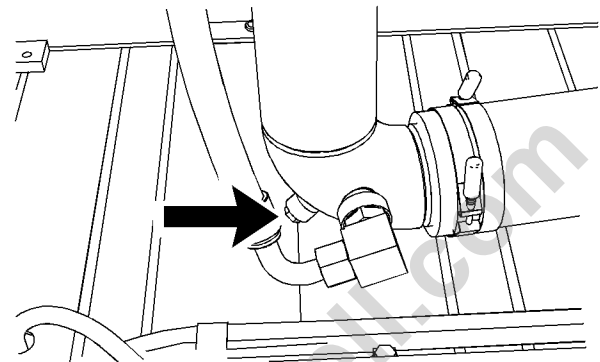


Illustration 377

g01121218

16. Remove the plug from the tube. Allow the oil to drain into a container.

Note: Dispose of used filters and used fluids according to local regulations.

17. Inspect the O-ring. Replace the O-ring if wear or damage is evident.

18. Clean the plug. Install the plug and the O-ring into the drain port.

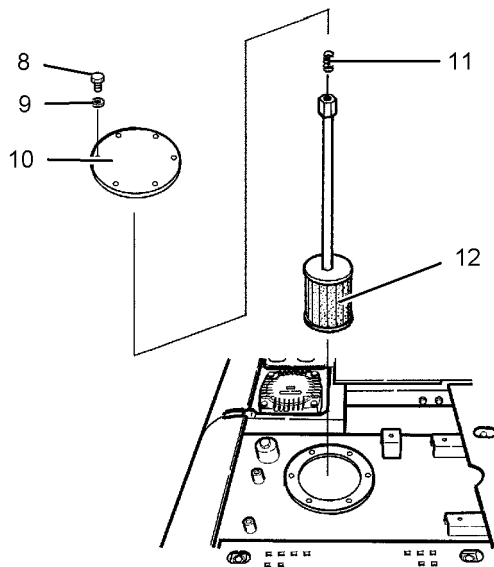


Illustration 378

g01121224

- (8) Bolts
- (9) Washers
- (10) Cover
- (11) Spring
- (12) Screen

19. Remove bolts (8), washers (9) and cover (10).

Note: Dispose of used filters and used fluids according to local regulations.

Note: Do not allow spring (11) to fall back into the tank.

20. Remove spring (11) and screen (12).

Note: Refer to Operation and Maintenance Manual, "General Hazard Information" for information on containing fluid spillage.

21. Wash the screen in a clean nonflammable solvent. Allow the screen to dry. Inspect the screen. Replace the screen, if the screen is damaged.

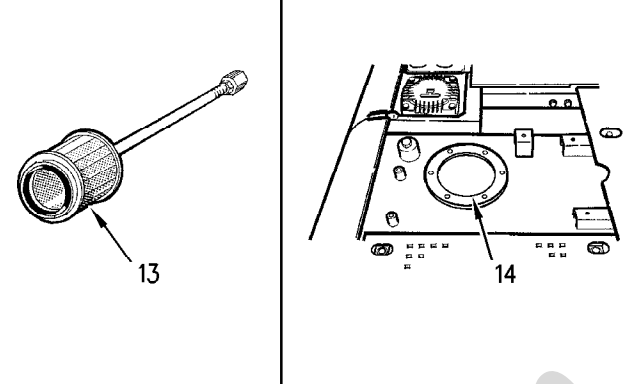


Illustration 379

g00687278

- (13) O-ring seal
- (14) O-ring seal

22. Remove O-ring seal (13) from the screen.

23. Inspect O-ring seals (13) and (14). Replace the O-ring seals if wear or damage is evident.

24. Install O-ring seal (13) on screen (12).

25. Install screen (12) and spring (11). Then install cover (10), washers (9), and bolts (8).

Note: Make sure that the O-ring seals and the spring are properly positioned during installation.

26. Fill the hydraulic system oil tank. Refer to Operation and Maintenance Manual, "Capacities (Refill)".

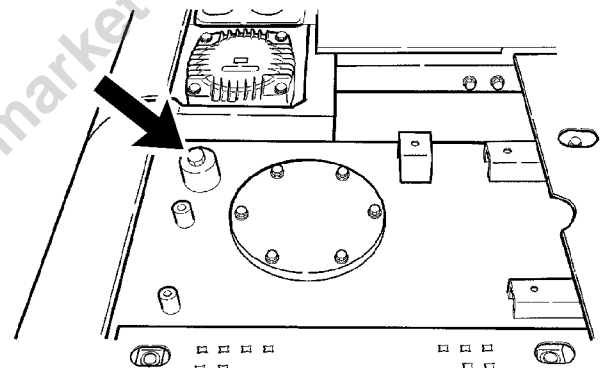


Illustration 380

g01121239

27. Inspect the O-ring seal on the filler plug for damage. Replace the O-ring, if necessary. Clean the filler plug. Install the filler plug.

Maintenance Section
Hydraulic System Oil - Change

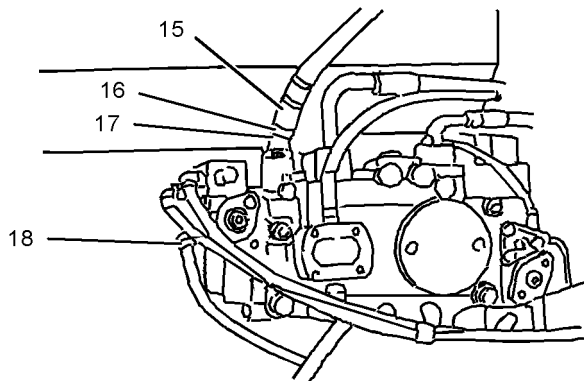


Illustration 381

g01121430

- (15) Drain hose
- (16) Connector
- (17) Seal
- (18) Negative flow control hose

Note: Make no attempt to start the engine until the pump has been filled with hydraulic oil. Serious damage to the hydraulic components can result.

28. When the hydraulic oil has been replaced, the air must be removed from the hydraulic oil system. To remove the air from the hydraulic oil system, follow Step 28a through Step 28g.

- a. While the engine is stopped, remove drain hose (15), connector(16) and seal (17) from the top of the pump. Add hydraulic oil through the opening.
- b. Check the condition of seal (17). If the seal is damaged, replace the seal.
- c. After the pump has been filled with oil, install drain hose (15), connector(16) and seal (17) to the original locations.
- d. Start the engine. When the engine is at low idle, fully raise the boom. Hold the boom in this position.
- e. Slowly loosen negative flow control hose (18) until the air has been released from the pump.
- f. Tighten negative flow control hose (18).
- g. Stop the engine. Slowly lower the boom until the bucket is on the ground. This pressurizes the hydraulic tank.

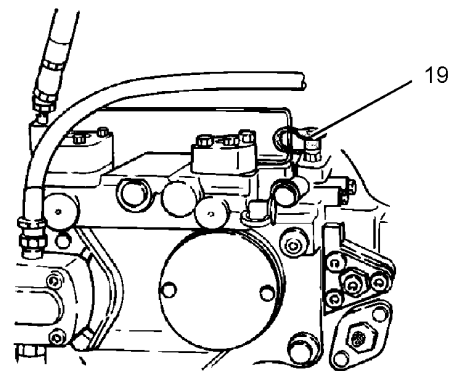


Illustration 382

g01121273

- (19) Fitting

h. Slowly loosen fitting (19) until the hydraulic oil flows out of the opening. This indicates that the air has been released from the pump.

- i. Tighten fitting (19).

29. Start the engine. Operate the engine at idling speed for five minutes.

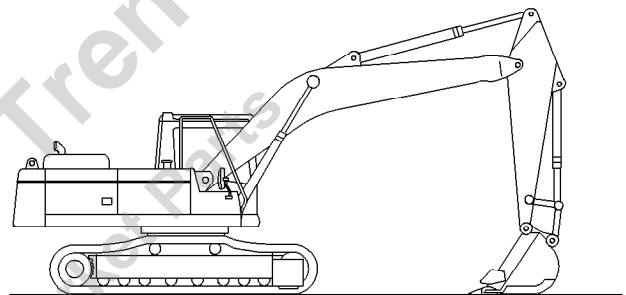


Illustration 383

g00101435

30. Operate the joysticks in order to circulate the hydraulic oil. Lower the bucket to the ground so that the stick is vertical to the ground. Stop the engine.

31. Check the hydraulic oil level.

Reference: For the correct procedure, refer to Operation and Maintenance Manual, "Hydraulic System Oil Level - Check".

32. Close the access door.

33. Close the engine hood and latch the engine hood.

i02581934

Hydraulic System Oil Filter (Case Drain) - Replace

SMCS Code: 5068-510; 5091-510

WARNING

Hot oil and hot components can cause personal injury. Do not allow hot oil or hot components to contact skin.

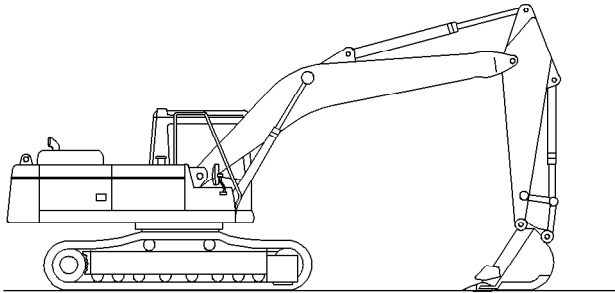


Illustration 384

g00101435

1. Park the machine on level ground. Lower the bucket to the ground so that the stick is vertical.
2. Move the hydraulic lockout control to the UNLOCKED position.
3. Turn the engine start switch to the ON position.
4. Move the joysticks and the travel levers/pedals to the full stroke positions in order to relieve the pressure in the pilot lines.
5. Turn the engine start switch to the OFF position and return the lever for the hydraulic lockout control to the LOCKED position.

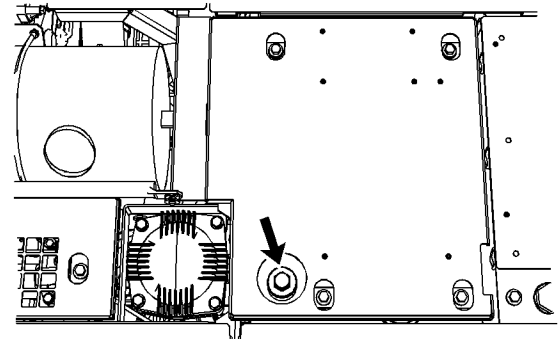


Illustration 385

g01208340

6. Slowly loosen the fill/vent plug on top of the hydraulic tank in order to relieve the internal pressure of the hydraulic tank.
7. After the pressure is relieved, tighten the fill/vent plug.

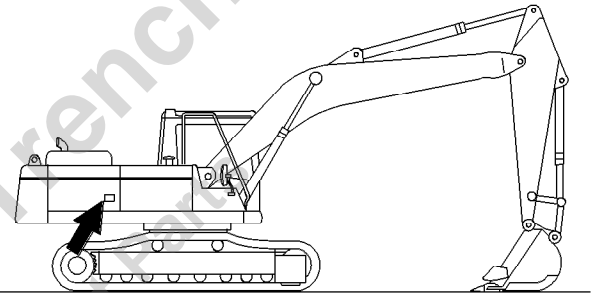


Illustration 386

g00101497

8. Open the access door on the right side of the machine.

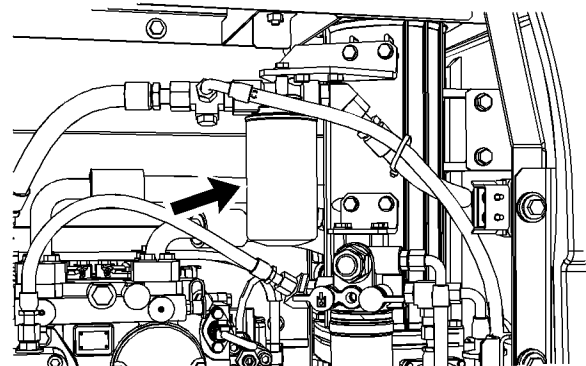


Illustration 387

g01121031

The case drain filter is located near the pilot oil filter.

Maintenance Section
Hydraulic System Oil Filter (Pilot) - Replace

9. Clean the area in order to keep dirt out of the filter base.

Note: Refer to Operation and Maintenance Manual, "General Hazard Information" for information on containing fluid spillage.

10. Remove the used case drain filter from the filter base.

Note: Used filters should always be disposed of according to local regulations.

11. Clean the filter base.

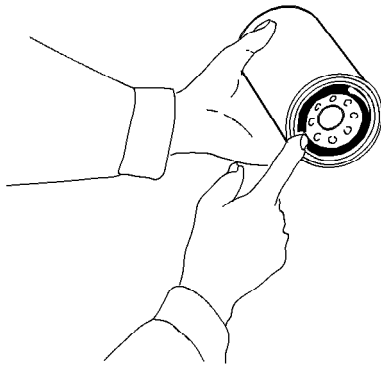


Illustration 388

g00101502

12. Coat the seal of a new case drain filter with clean hydraulic oil.

13. Install the new oil filter by hand.

Instructions for the installation of the filter are printed on the side of each Caterpillar spin-on filter. For non-Caterpillar filters, refer to the installation instructions that are provided by the supplier of the filter.

14. Start the engine and operate the machine slowly for 10 to 15 minutes. Move each cylinder evenly through several cycles.

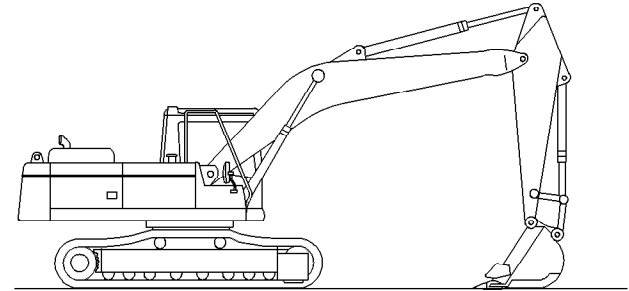


Illustration 389

g00101508

15. Return the machine to the position that is shown in Illustration 389. Check the machine for oil leaks.

16. Stop the engine.

17. Check the hydraulic oil level.

Reference: For the correct procedure, refer to Operation and Maintenance Manual, "Hydraulic System Oil Level - Check".

18. Close the access door.

i02581929

Hydraulic System Oil Filter (Pilot) - Replace

SMCS Code: 5068-510; 5068-510-PS; 5092-510

WARNING

Hot oil and hot components can cause personal injury. Do not allow hot oil or hot components to contact skin.

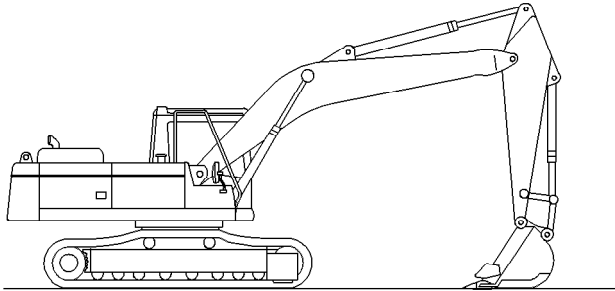


Illustration 390

g00101435

1. Park the machine on level ground. Lower the bucket to the ground so that the stick is vertical.
2. Move the hydraulic lockout control to the UNLOCKED position.
3. Turn the engine start switch to the ON position.
4. Move the joysticks and the travel levers/pedals to the full stroke positions in order to relieve the pressure in the pilot lines.
5. Turn the engine start switch to the OFF position and return the lever for the hydraulic lockout control to the LOCKED position.

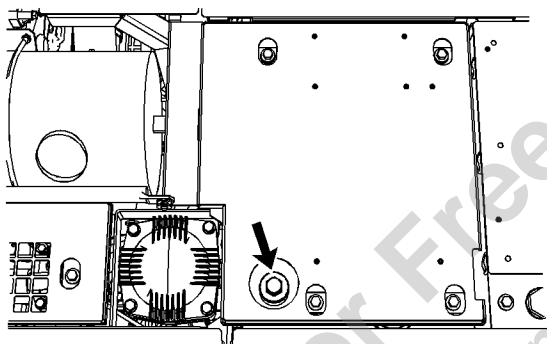


Illustration 391

g01208340

6. Slowly loosen the fill/vent plug on top of the hydraulic tank in order to relieve the internal pressure of the hydraulic tank.
7. After the pressure is relieved, tighten the fill/vent plug.

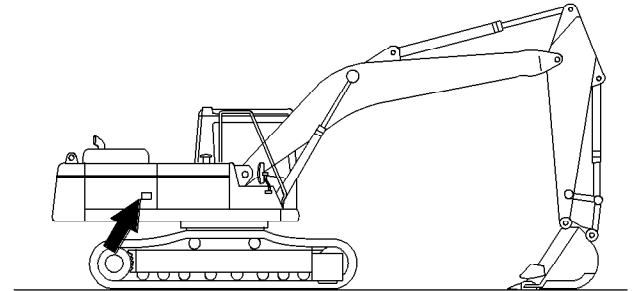


Illustration 392

g00101497

8. Open the access door on the right side of the machine.

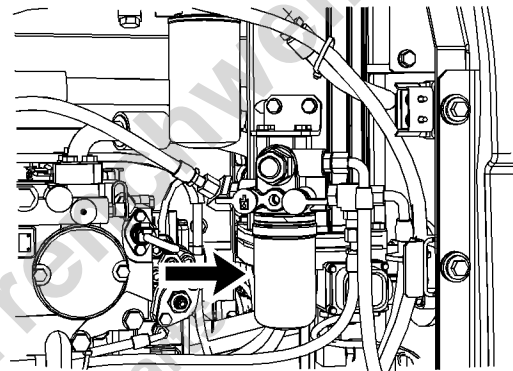


Illustration 393

g01121062

9. Clean the area in order to keep dirt out of the filter base.

Note: Refer to Operation and Maintenance Manual, "General Hazard Information" for information on containing fluid spillage.

10. Remove the used pilot filter element from the filter base.

Note: Used filters should always be disposed of according to local regulations.

11. Clean the filter base.

Maintenance Section
Hydraulic System Oil Filter (Return) - Replace

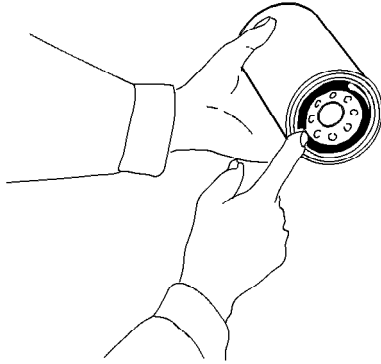


Illustration 394

g00101502

12. Coat the seal of a new pilot filter with clean hydraulic oil.

13. Install the new oil filter by hand.

Instructions for the installation of the filter are printed on the side of each Caterpillar spin-on filter. For non-Caterpillar filters, refer to the installation instructions that are provided by the supplier of the filter.

14. Check the hydraulic oil level.

Reference: For the correct procedure, refer to Operation and Maintenance Manual, "Hydraulic System Oil Level - Check".

15. Close the access door.

i02580552

Hydraulic System Oil Filter (Return) - Replace

SMCS Code: 5068-510-RJ

WARNING

Hot oil and hot components can cause personal injury. Do not allow hot oil or hot components to contact skin.

The return filter is a cartridge type filter. The amount of foreign material that enters the hydraulic system is reduced when the filter element is replaced.

Two different filters are available for the return filter. One filter is used for standard applications such as digging and normal use of a hammer. The second filter is used for an application such as demolishing a ceiling in a tunnel with a hammer.

Note: If the message display shows that the hydraulic return filter is plugged, turn off the machine. After you make sure that the warning has disappeared, start the machine and run the machine on level ground for approximately 10 minutes. If the warning still appears in the message display, inspect the filter and replace the filter, if necessary.

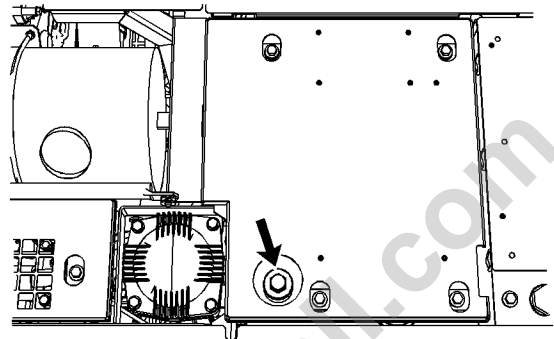


Illustration 395

g01220269

1. Loosen the fill/vent plug in order to relieve the hydraulic tank pressure. Tighten the fill/vent plug after the hydraulic tank pressure is relieved.

Note: The return filter cartridge is located on the side of the hydraulic tank.

2. Remove the filter cartridge. Perform Step 2a through Step 2f in order to remove the filter cartridge.

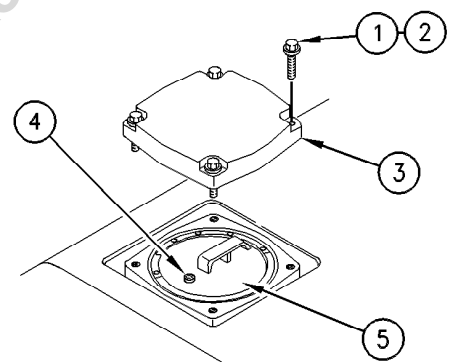


Illustration 396

g00102211

- (1) Bolts
- (2) Washers
- (3) Cover
- (4) Plug
- (5) Filter cartridge

a. Remove bolts (1), washers (2), and cover (3).

Note: Refer to Operation and Maintenance Manual, "General Hazard Information" for information on containing fluid spillage.

- b. Remove plug (4) in order to release the pressure in filter cartridge (5).

Note: When plug (4) is removed the oil level in the return filter drops to the level of the hydraulic tank.

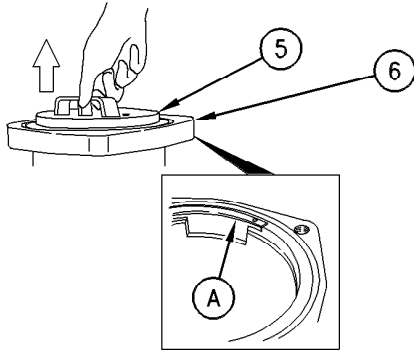


Illustration 397

g00102212

- (5) Filter cartridge
(6) Filter case
(A) Guide

- c. Pull up the handle at the top of filter cartridge (5) until the filter cartridge contacts guide (A) on filter case (6).

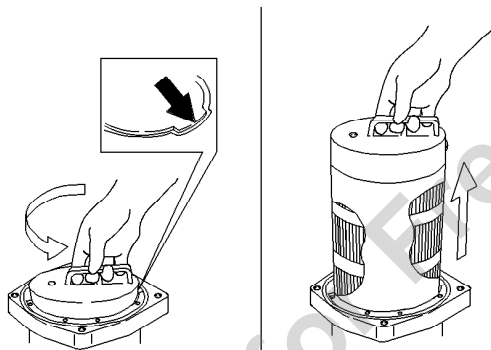


Illustration 398

g00102214

- d. Turn the filter cartridge counterclockwise by 180 degrees in order to align the projection of the filter cartridge with the notch of the filter case. Pull out the filter cartridge.

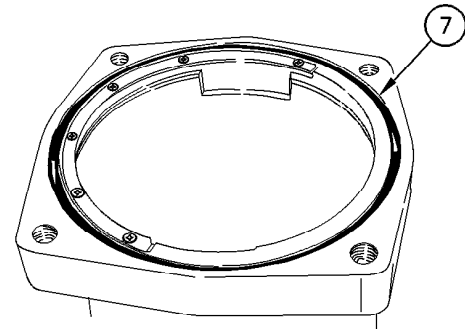


Illustration 399

g00102219

- (7) O-ring

- e. Inspect the cover and O-ring (7). If either part is damaged, replace the part.
f. Inspect the filter cartridge for debris and for damage. If necessary, replace the filter cartridge.

3. Remove the filter element. Perform Step 3a through Step 3f in order to remove the filter element.

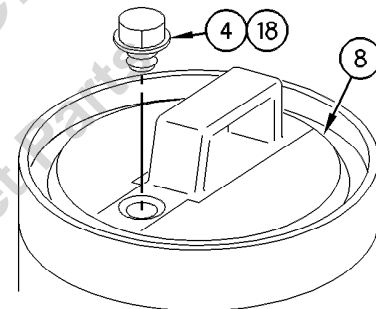


Illustration 400

g00104507

- (4) Plug
(8) Plate
(18) O-ring

- a. Make sure that plug (4) is removed. Make sure that all of O-ring (18) is removed from plate (8).

Maintenance Section
Hydraulic System Oil Filter (Return) - Replace

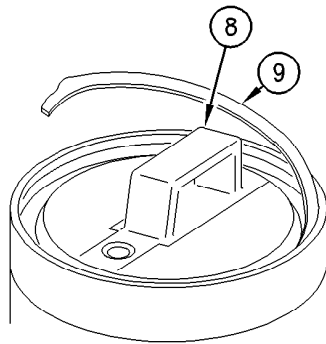


Illustration 401 g00918893

- (8) Plate
(9) Spiral retaining ring

b. Remove spiral retaining ring (9).

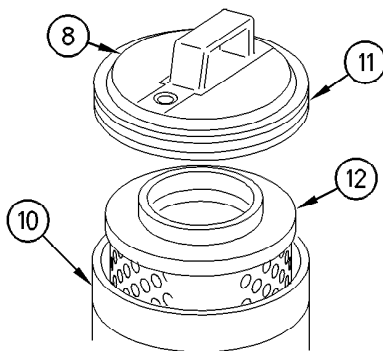


Illustration 402 g00104510

- (8) Plate
(10) Shell
(11) O-ring
(12) Filter element

- c. Hold the filter cartridge with one hand. Grasp the grip of plate (8) with your other hand. Lift plate (8) in order to separate plate (8) from the filter cartridge.
d. Remove O-ring (11) from plate (8).
e. Lift filter element (12) from shell (10).
f. Pour the remaining oil into a suitable container.

Note: Dispose of used oil according to local regulations.

- g. Repeat Step 3a through Step 3f for the other filter groups.

4. Clean the shell of the filter cartridge. Perform Step 4a through Step 4d in order to clean the shell of the filter cartridge.

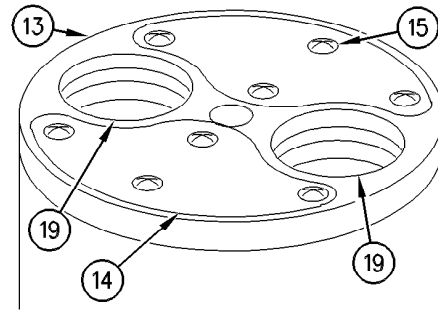


Illustration 403 g00104511

- (13) Slide plate
(14) Pads
(15) Screws
(19) Port

- a. Turn shell (10) upside-down.
b. Remove screws (15).
c. Remove Pads (14) from slide plate (13).
d. Wash the following parts in a clean nonflammable solvent: plug (4), plate (8), spiral retaining ring (9), shell (10) and Pads (14). Dry the parts.

5. Install the filter elements. Perform Step 5a through Step 5k in order to install the filter elements.

Note: Consult a Caterpillar dealer for the Service Kit that is needed to install the filter element and the filter cartridge.

- a. Apply spray type oil to the inside of shell (10) in order to prevent rust.
b. Apply grease to a new O-ring (11).
c. Plate (8) will contact the inside of shell (10). Apply grease to this point.
d. Apply grease to O-rings inside ports (19) at the bottom of shell (10).
e. Install new Pads (14). Tighten the screws to a torque of 0.4 N·m (3.5 lb in).
f. Apply spray type oil into the clearance between shell (10) and slide plate (13).

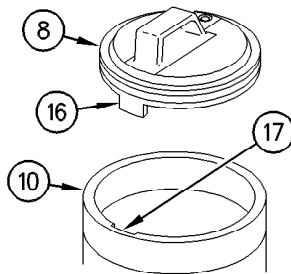


Illustration 404

g00104512

- (8) Plate
- (10) Shell
- (16) Boss
- (17) Notch

- g. Turn over shell (10). Apply grease to the two O-rings on new element (12). Install element (12) into shell (10).
 - h. Move boss (16) in alignment with notch (17). Install plate (8) into shell (10).
 - i. Install spiral retaining ring (9) into the groove in shell (10).
 - j. Apply grease to new O-ring (18). Install O-ring (18) on plug (4).
 - k. Install plug (4) into plate (8).
6. Install the filter cartridge. Perform Step 6a through Step 6e in order to install the filter cartridge.

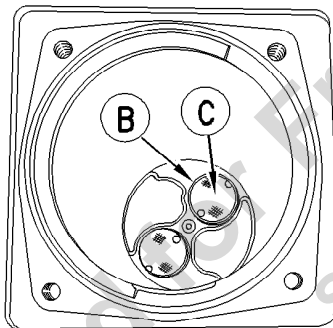


Illustration 405

g00102220

- (B) Port
- (C) Slide plate

- a. Check that ports (B) at the bottom of the filter case are closed.

Note: If the ports are open, rotate slide plate (C) counterclockwise to the stopper in order to fully close the ports. When the ports are fully closed, any remaining oil in the filter case should be completely removed.

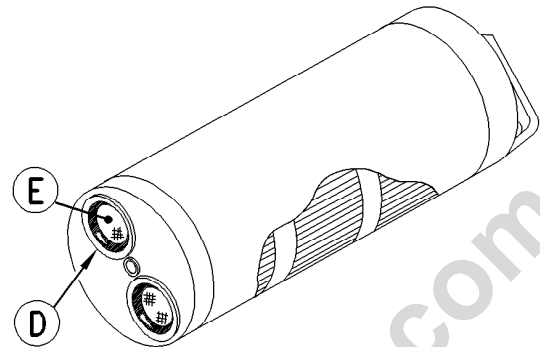


Illustration 406

g00102221

- (E) Slide plate
- (D) Port

- b. Check that ports (D) of the filter cartridge are fully closed.

Note: The filter cartridge cannot be installed unless the ports are fully closed. If the ports are open, rotate slide plate (E) counterclockwise to the stopper in order to fully close the ports.

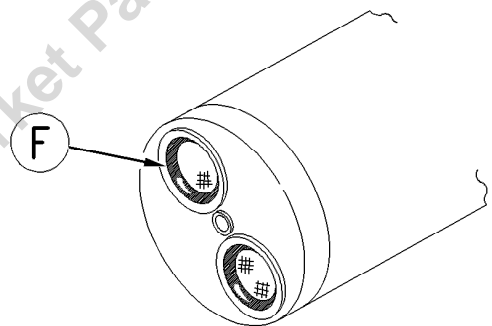


Illustration 407

g00102222

- (F) O-rings

- c. Check that O-rings (F) have been installed and that oil has been applied to O-rings (F).

Maintenance Section
Hydraulic System Oil Level - Check

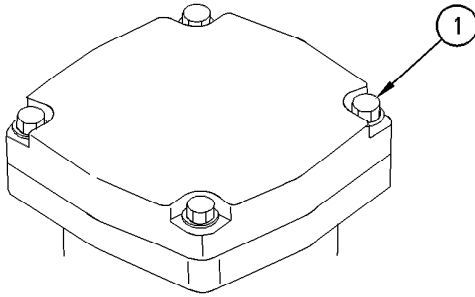


Illustration 408

g00102225

(1) Bolts

- d. Install the filter cartridge into the filter case. Turn the filter cartridge clockwise by 180 degrees and push down the filter cartridge when the filter cartridge contacts guide (A).
- e. Install plug (4), cover (3), washers (2), and bolts (1). Tighten bolts (1) to a torque of $29 \pm 5 \text{ N}\cdot\text{m}$ ($22 \pm 4 \text{ lb ft}$).

7. Check the hydraulic system oil level.

Reference: For the correct procedure, refer to Operation and Maintenance Manual, "Hydraulic System Oil Level - Check".

i02581923

Hydraulic System Oil Level - Check

SMCS Code: 5050-535

WARNING

Hot oil and hot components can cause personal injury. Do not allow hot oil or hot components to contact skin.

NOTICE

Never remove the fill/vent plug from the hydraulic tank if the oil is hot.

Air can enter the system and cause pump damage.

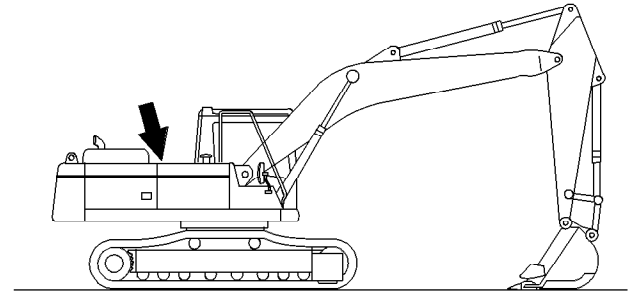


Illustration 409

g00102817

The hydraulic oil tank is on the right side of the machine.

1. Park the machine on level ground. Lower the bucket to the ground with the stick in a vertical position, as shown.

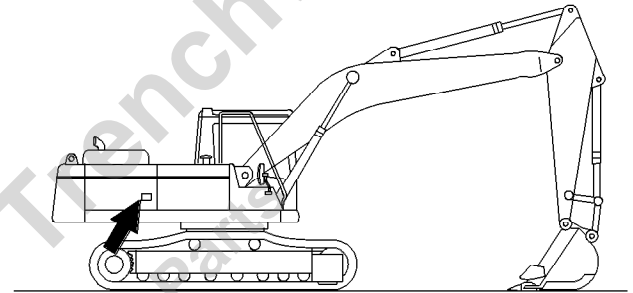


Illustration 410

g00102818

2. Open the access door on the right side of the machine.

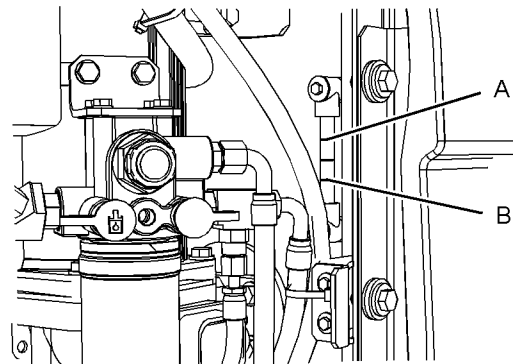


Illustration 411

g01121278

- (A) High temperature range
(B) Low temperature range

3. For a cold machine, maintain the hydraulic oil level in the low temperature range (B). For a machine that is at normal operating temperature, maintain the hydraulic oil level in the high temperature range (A).
4. Close the access door.

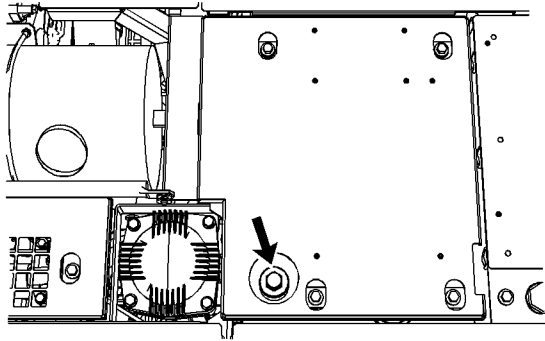


Illustration 412

g01208340

Note: Refer to Operation and Maintenance Manual, "General Hazard Information" for information that pertains to Containing Fluid Spillage.

Note: Perform Step 5 through Step 7 if the oil level is low.

5. Slowly loosen the fill/vent plug in order to relieve any pressure. Add oil, if necessary. See Operation and Maintenance, "Lubricant Viscosities".
6. Check the O-ring seal of the fill/vent plug. Replace the O-ring seal if the O-ring seal is damaged.
7. Clean the fill/vent plug and install the fill/vent plug.

i06057625

Hydraulic System Oil Sample - Obtain

SMCS Code: 5050-008-OC; 5095-008; 5095-SM; 7542-008; 7542

Note: If Cat HYDO Advanced hydraulic oils are used, the hydraulic oil change interval is extended to 6000 hours. S·O·S services after 3,000 hours is strongly Recommended. Consult your Cat dealer for details.

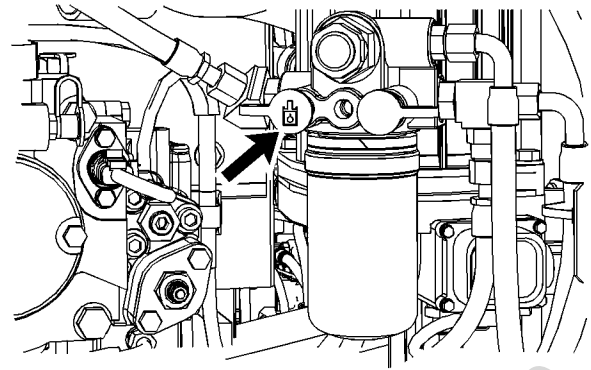


Illustration 413

g01121279

The hydraulic oil sampling valve is near the pilot filter. Obtain a sample of the hydraulic oil from the hydraulic oil sampling valve that is located on the hydraulic oil filter housing. Refer to Special Publication, SEBU6250, "S·O·S Oil Analysis" for information that pertains to obtaining a sample of the hydraulic oil. Refer to Special Publication, PEGJ0047, "How To Take A Good Oil Sample" for more information about obtaining a sample of the hydraulic oil.

i02581915

Hydraulic Tank Screen - Clean

SMCS Code: 5056-070-Z3

WARNING

Hot oil and hot components can cause personal injury. Do not allow hot oil or hot components to contact skin.

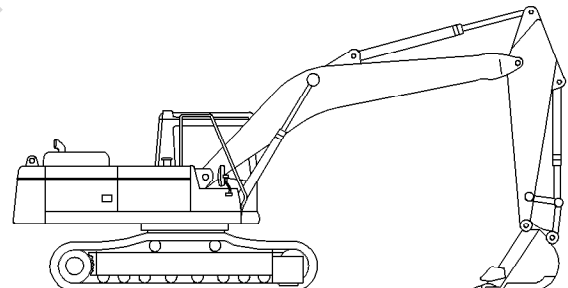


Illustration 414

g00101435

1. Park the machine on level ground. Lower the bucket to the ground so that the stick is vertical.
2. Unlatch the engine hood and raise the engine hood.

Maintenance Section
Hydraulic Tank Screen - Clean

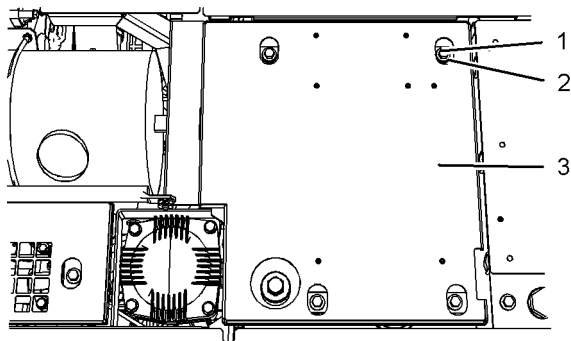


Illustration 415

g01121186

- (1) Bolts
- (2) Washers
- (3) Cover

3. Remove bolts (1), washers (2) and cover (3) from the top of the hydraulic tank.

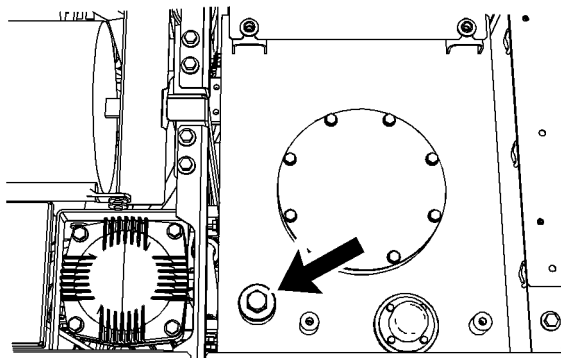


Illustration 416

g01121188

4. Clean the area thoroughly in order to keep dirt out of the screen cover. Clean the area thoroughly in order to keep dirt out of the fill/vent plug.
5. Relieve the internal pressure from the hydraulic tank by loosening the fill/vent plug. After the pressure is relieved, remove the fill/vent plug.

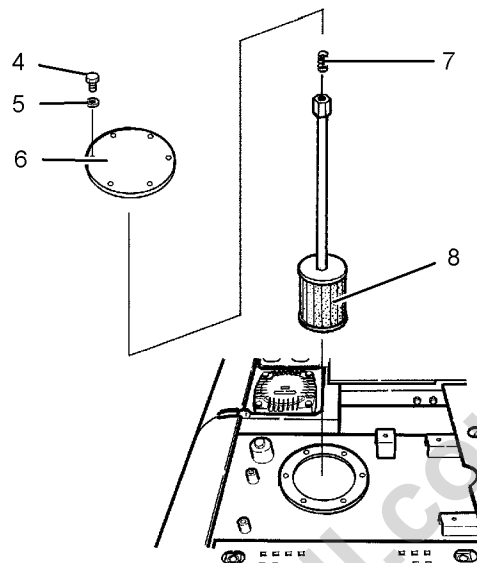


Illustration 417

g01121280

- (4) Bolts
- (5) Washers
- (6) Cover
- (7) Spring
- (8) Screen

6. Remove bolts (4), washers (5) and cover (6).

Note: Do not allow spring (7) to fall into the tank.

7. Remove spring (7) and screen (8).

Note: Refer to Operation and Maintenance, "General Hazard Information" for information on containing fluid spillage.

8. Wash the screen in a clean nonflammable solvent. Allow the screen to dry. Inspect the screen. Replace the screen, if the screen is damaged.

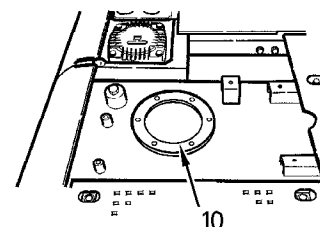
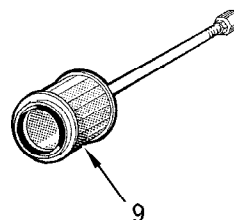


Illustration 418

g00691204

- (9) O-ring seal
- (10) O-ring seal

9. Remove O-ring seal (9) from screen (12).
10. Inspect O-ring seals (9) and (10). Replace the O-ring seals if wear or damage is evident.
11. Install O-ring seal (9) on screen (12).
12. Install screen (8) and spring (7). Then install cover (6), washers (5), and bolts (4).

Note: Make sure that the O-ring seals and the spring are properly positioned during installation.

13. Inspect the O-ring seal on the filler plug for damage. Replace the O-ring, if necessary. Clean the filler plug. Install the filler plug.
14. Install cover (3) with bolts (1) and washers (2).
15. Close the engine hood and latch the engine hood.

i02116248

Indicators and Gauges - Test

SMCS Code: 7450-081; 7490-081

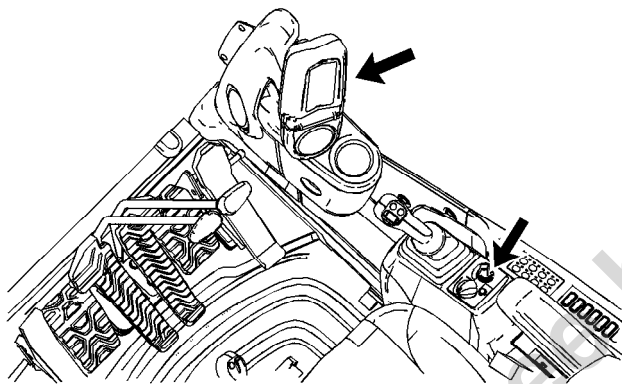


Illustration 419

g01077750

1. Look for broken lenses on the gauges, broken indicator lights, broken switches, and other broken components in the cab.
2. Start the engine.
3. Look for inoperative gauges.
4. Turn on all machine lights. Check for proper operation.
5. Move the machine forward. Release the travel levers and the travel pedals. The machine should stop.
6. Stop the engine.
7. Make any repairs that are required before operating the machine.

i05955190

Oil Filter (Hydraulic Hammer) - Replace (If equipped)

SMCS Code: 5068-510

WARNING

Hot oil and hot components can cause personal injury. Do not allow hot oil or hot components to contact skin.

1. Park the machine on level ground in the service position.
2. Move the hydraulic lockout control to the UNLOCKED position.
3. Turn the engine start switch to the ON position.
4. Move the joysticks and the travel levers/pedals to the full stroke positions in order to relieve the pressure in the hydraulic lines.
5. Turn the engine start switch to the OFF position and return the lever for the hydraulic lockout control to the LOCKED position.

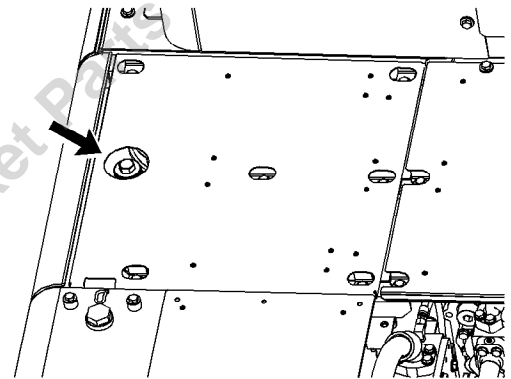


Illustration 420

g01097883

6. Loosen the filler plug in order to relieve the hydraulic tank pressure. Tighten the filler plug after the hydraulic tank pressure is relieved.
7. The oil filter for the hammer is located near the base of the boom.

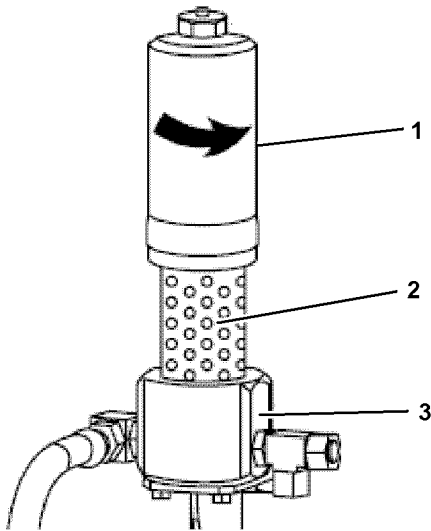


Illustration 421

g02902799

- (1) Filter case
- (2) Filter element
- (3) Filter base

8. Position a suitable container in order to contain the oil.

Note: Refer to Operation and Maintenance Manual, "General Hazard Information" for information on containing fluid spillage.

9. Loosen filter case (1).

10. Lift filter case (1) in order to remove filter element (2).

11. Remove the used filter element from filter base (3).

Note: The element cannot be reused.

Note: Used filter elements should always be disposed of according to local regulations.

12. Clean filter case (1) and inspect the O-ring for damage. Replace the O-ring if necessary.

13. Install the new filter element.

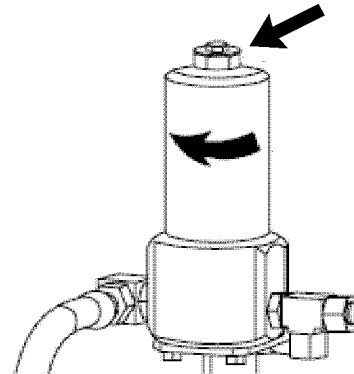


Illustration 422

g02909599

14. Assemble filter case (1). Tighten the nut on the filter case to a torque of $100 \pm 10 \text{ N}\cdot\text{m}$ ($74 \pm 7 \text{ lb ft}$).

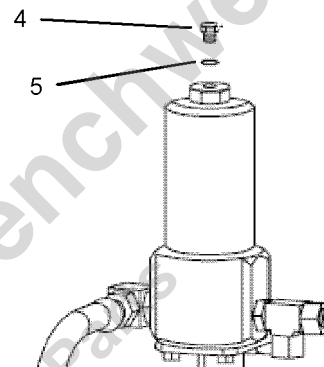


Illustration 423

g02909737

15. Remove plug (4) and inspect O-ring (5) for damage. Replace the O-ring if necessary. Tighten plug (4) to a torque of $60 \pm 5 \text{ N}\cdot\text{m}$ ($44 \pm 3.5 \text{ lb ft}$)

16. Start the engine and operate the machine slowly for 10 to 15 minutes. Move each cylinder evenly through several cycles and operate the hammer.

17. Return the machine to the service position. Check the machine for oil leaks.

18. Stop the engine.

19. Check the hydraulic oil level.

Reference: For the correct procedure, refer to Operation and Maintenance Manual, "Hydraulic System Oil Level - Check".

i02106227

Oil Filter - Inspect

SMCS Code: 1308-507; 5068-507

Inspect a Used Filter for Debris

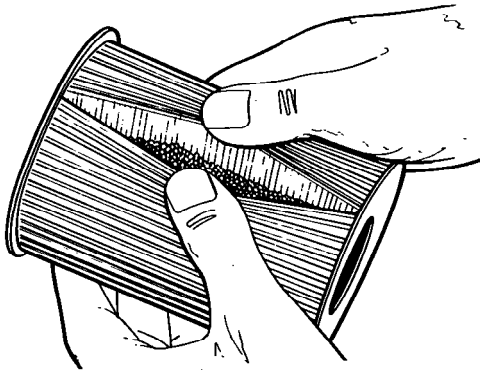


Illustration 424

g00100013

The element is shown with debris.

Use a filter cutter to cut the filter element open. Spread apart the pleats and inspect the element for metal and for other debris. An excessive amount of debris in the filter element can indicate a possible failure.

If metals are found in the filter element, a magnet can be used to differentiate between ferrous metals and nonferrous metals.

Ferrous metals can indicate wear on steel parts and on cast iron parts.

Nonferrous metals can indicate wear on the aluminum parts of the engine such as main bearings, rod bearings, or turbocharger bearings.

Small amounts of debris may be found in the filter element. This could be caused by friction and by normal wear. Consult your Caterpillar dealer in order to arrange for further analysis if an excessive amount of debris is found.

Using an oil filter element that is not recommended by Caterpillar can result in severe engine damage to engine bearings, to the crankshaft, and to other parts. This can result in larger particles in unfiltered oil. The particles could enter the lubricating system and the particles could cause damage.

i02461929

Quick Coupler - Lubricate (If Equipped)

SMCS Code: 6129-086

Note: Caterpillar recommends the use of 5% molybdenum grease. Refer to Special Publication, SEBU6250, "Caterpillar Machine Fluids Recommendations" for more information on molybdenum grease.

Wipe all fittings before you apply lubricant.

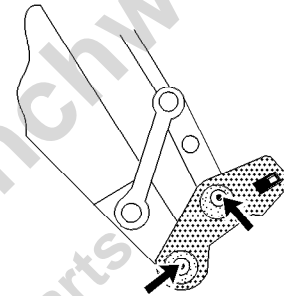


Illustration 425

g00104878

Typical Example

Apply lubricant through the four fittings on the quick coupler. The quick coupler has two fittings on each side.

Note: Do not lubricate the wedge and the wear plates. Friction is needed in order to hold the wedge in place during backfilling.

i02332977

Radiator Core - Clean

SMCS Code: 1353-070

1. Open the rear access door on the left side of the machine.

Maintenance Section
Receiver Dryer (Refrigerant) - Replace

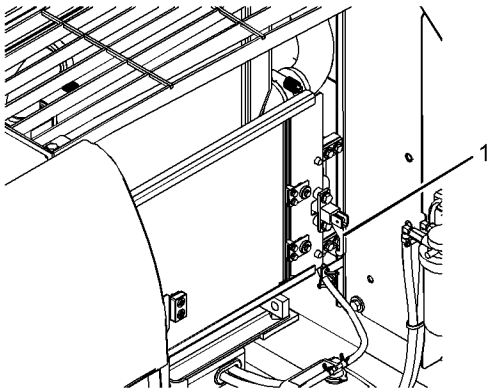


Illustration 426

g01164503

2. Lift latch (1) in order to release the latch.
3. Swing the hydraulic oil cooler outward.

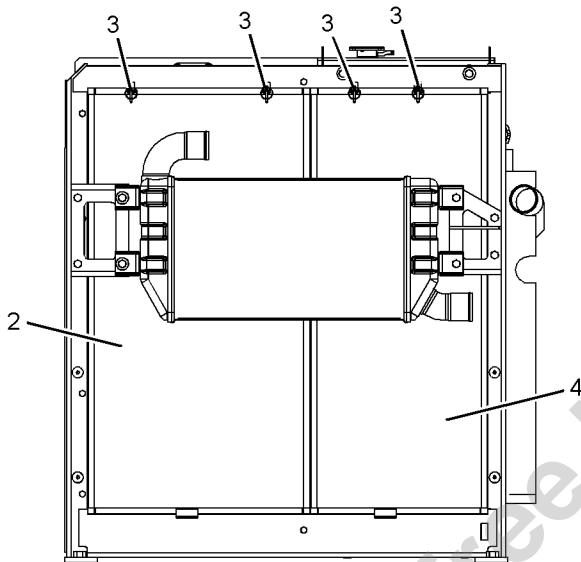


Illustration 427

g01164506

4. Remove four pins (3).
5. Remove screens (2) and (4).
6. Check all of the core fins for debris.
7. Remove dust and debris from all of the core fins and from the screens.

Compressed air is preferred, but high pressure water or steam can be used to remove dust and general debris from a core.

See Special Publication, SEBD0518, "Know Your Cooling System" for more detailed information about cleaning core fins.

8. Install screens (2) and (4) with pins (3).

9. Close and latch the hydraulic oil cooler.
10. Close the rear access door on the left side of the machine.

i05805860

Receiver Dryer (Refrigerant) - Replace

SMCS Code: 7322-510; 7322-710

⚠ WARNING

Personal injury can result from contact with refrigerant.

Contact with refrigerant can cause frost bite. Keep face and hands away to help prevent injury.

Protective goggles must always be worn when refrigerant lines are opened, even if the gauges indicate the system is empty of refrigerant.

Always use precaution when a fitting is removed. Slowly loosen the fitting. If the system is still under pressure, release it slowly in a well ventilated area.

Personal injury or death can result from inhaling refrigerant through a lit cigarette.

Inhaling air conditioner refrigerant gas through a lit cigarette or other smoking method or inhaling fumes released from a flame contacting air conditioner refrigerant gas, can cause bodily harm or death.

Do not smoke when servicing air conditioners or wherever refrigerant gas may be present.

Use a certified recovery and recycling cart to properly remove the refrigerant from the air conditioning system.

NOTICE

If the refrigerant system has been open to the outside air (without being plugged) for more than 30 minutes, the receiver-dryer must be replaced. Moisture will enter an open refrigerant system and cause corrosion which will lead to component failure.

Refer to Service Manual, "Air Conditioning and Heating R-134a for All Caterpillar Machines" for the proper procedure to change the receiver-dryer assembly and for the procedure to reclaim the refrigerant gas.

i05252974

Rollover Protective Structure (ROPS) - Inspect

SMCS Code: 7323-040; 7325-040

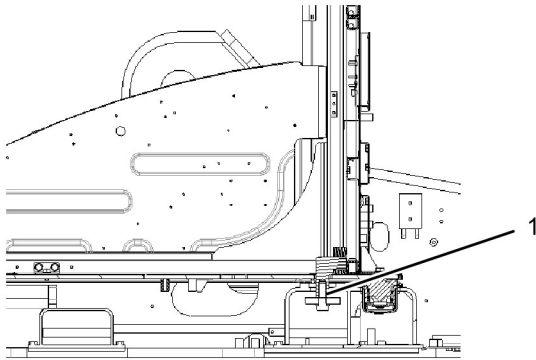


Illustration 428

g01973183

Consult your Caterpillar dealer for repair of any cracks in the ROPS.

Inspect the ROPS for loose bolts or for damaged bolts. Replace any damaged bolts or missing bolts with original equipment parts only. Tighten the M24 bolt (1) to $425 \pm 50 \text{ N}\cdot\text{m}$ ($315 \pm 40 \text{ lb ft}$).

Note: Apply oil to all ROPS bolt threads before you install the bolts. Failure to apply oil to the bolt threads can result in improper bolt torque.

Do not straighten the ROPS. Do not repair the ROPS by welding reinforcement plates to the ROPS.

Consult your Cat dealer for inspection of any potential damage or repair of any damage to any operator protective structure. (Including ROPS, FOPS, TOPS, OPS, and OPG) Refer to Special Instruction, SEHS6929, "Inspection, Maintenance, and Repair of Operator Protective Structures (OPS) and Attachment Installation Guidelines for All Earthmoving Machinery"

i04423622

Seat Belt - Inspect

SMCS Code: 7327-040

Always inspect the condition of the seat belt and the condition of the seat belt mounting hardware before you operate the machine. Replace any parts that are damaged or worn before you operate the machine.

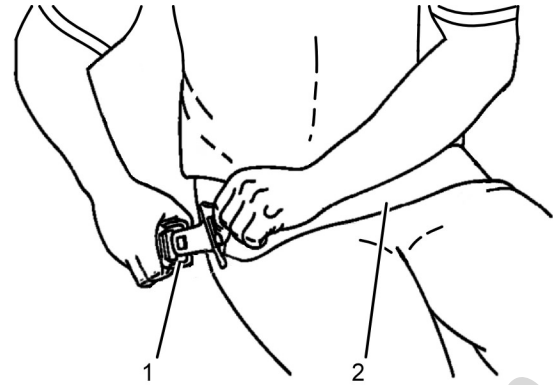


Illustration 429

g02620101

Typical example

Inspect buckle (1) for wear or for damage. If the buckle is worn or damaged, replace the seat belt.

Inspect seat belt (2) for webbing that is worn or frayed. Replace the seat belt if the webbing is worn or frayed.

Inspect all seat belt mounting hardware for wear or for damage. Replace any mounting hardware that is worn or damaged. Make sure that the mounting bolts are tight.

If your machine is equipped with a seat belt extension, also perform this inspection procedure for the seat belt extension.

Contact your Cat dealer for the replacement of the seat belt and the mounting hardware.

Note: The seat belt should be replaced within 3 years of the date of installation. A date of installation label is attached to the seat belt retractor and buckle. If the date of installation label is missing, replace belt within 3 years from the year of manufacture as indicated on belt webbing label, buckle housing, or installation tags (non-retractable belts).

i06891605

Seat Belt - Replace

SMCS Code: 7327-510

The seat belt should be replaced within 3 years of the date of installation. A date of installation label is attached to the seat belt retractor and buckle. If the date of installation label is missing, replace belt within 3 years from the year of manufacture as indicated on belt webbing label, buckle housing, or installation tags (non-retractable belts).

Maintenance Section
Swing Bearing - Lubricate

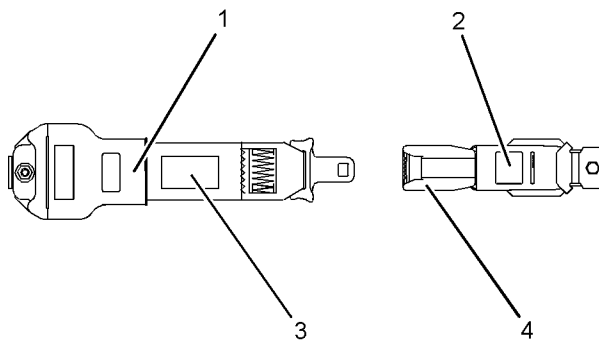


Illustration 430

g01152685

Typical Example

- (1) Date of installation (retractor)
- (2) Date of installation (buckle)
- (3) Year of manufacture (tag) (fully extended web)
- (4) Year of manufacture (underside) (buckle)

Consult your Cat dealer for the replacement of the seat belt and the mounting hardware.

Determine age of new seat belt before installing on seat. A manufacture label is on belt webbing and imprinted on belt buckle. Do not exceed install by date on label.

Complete seat belt system should be installed with new mounting hardware.

Date of installation labels should be marked and affixed to the seat belt retractor and buckle.

Note: Date of installation labels should be permanently marked by punch (retractable belt) or stamp (non-retractable belt).

If your machine is equipped with a seat belt extension, also perform this replacement procedure for the seat belt extension.

i02378698

Swing Bearing - Lubricate

SMCS Code: 7063-086

Note: Refer to Special Publication, SEBU6250, "Caterpillar Machine Fluids Recommendations" for more information on grease.

Note: Do not overgrease the swing bearings. Do not grease more than the recommended maintenance interval. Refer to Operation and Maintenance Manual, "Maintenance Interval Schedule" for more information.

Wipe the fittings before you lubricate the swing bearing.

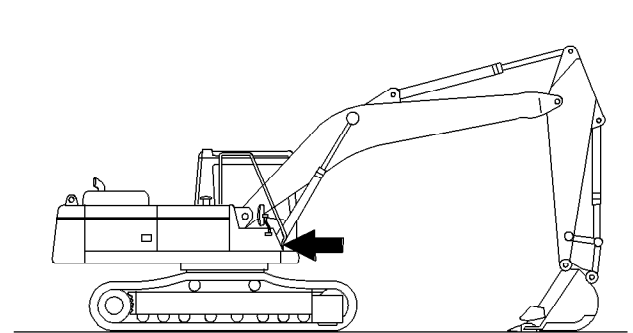


Illustration 431

g00101569

The swing bearing is located under the base of the boom.

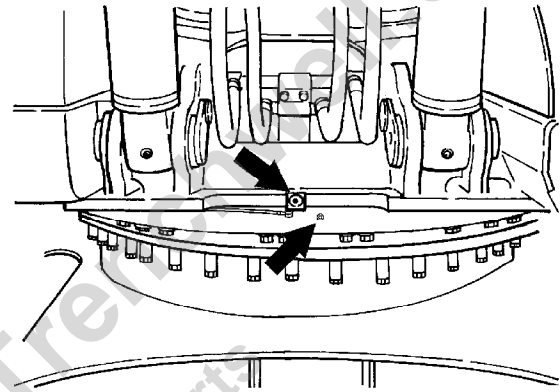


Illustration 432

g00687903

Apply lubricant through the fittings until the lubricant overflows the bearing seals.

i02582097

Swing Drive Oil - Change

SMCS Code: 5459-044

WARNING

Hot oil and hot components can cause personal injury. Do not allow hot oil or hot components to contact skin.

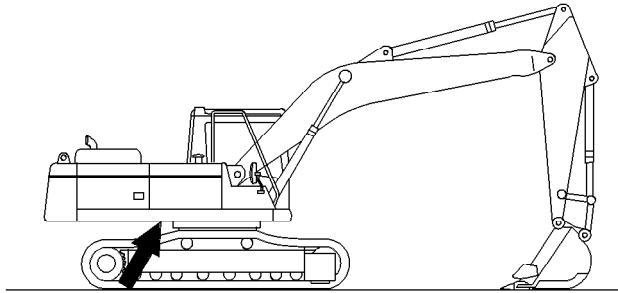


Illustration 433

g00101586

The oil drain hose is under the center of the upper structure.

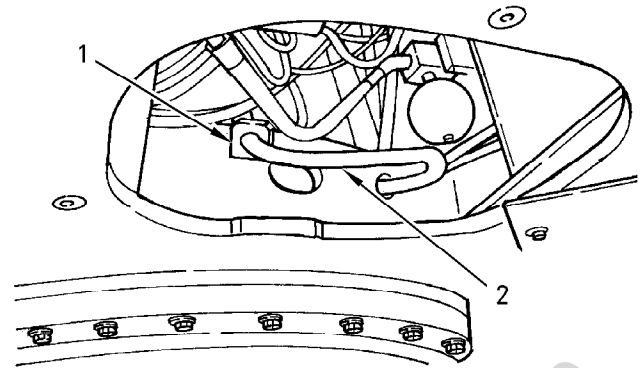


Illustration 435

g00687982

3. Tighten the drain valve. Hook the drain hose (2) to the holder (1). Make sure that the end of the hose is facing upward.

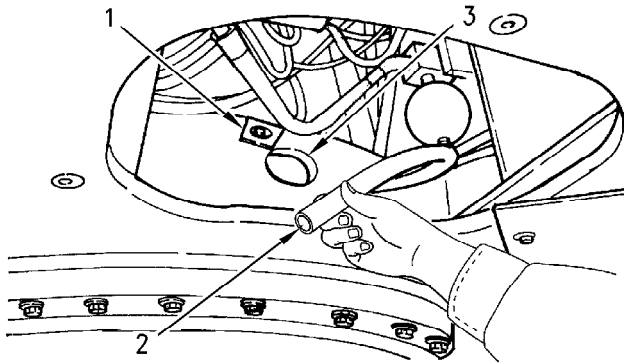


Illustration 434

g00687981

Note: Refer to Operation and Maintenance Manual, "General Hazard Information" for information that pertains to Containing Fluid Spillage.

1. Remove drain hose (2) from holder (1) on the upper frame. Face the end of the hose toward the container.
2. Use a universal joint with a socket extension to loosen the drain valve in hole (3). Drain the oil into a suitable container.

Note: Drained fluids should always be disposed of according to local regulations.

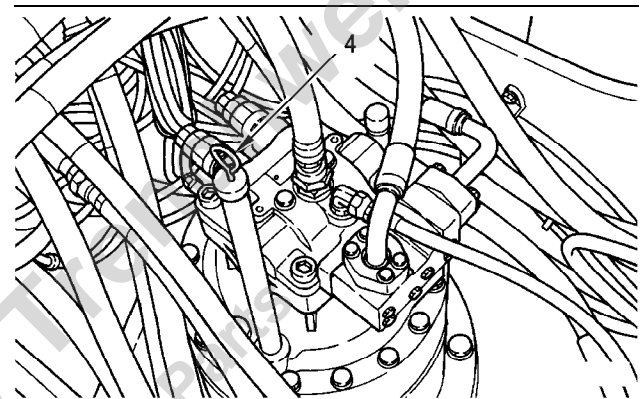


Illustration 436

g00687983

4. Remove dipstick (4).
5. Add the specified quantity of oil through the dipstick tube. See Operation and Maintenance, "Capacities (Refill)".
6. Check the oil level. Refer to Operation and Maintenance Manual, "Swing Drive Oil Level - Check" for the procedure.
7. Check the oil that has been drained for metal chips or metal particles. Consult your Caterpillar dealer if any metal chips or metal particles are found.
8. Drained materials should always be disposed of according to local regulations.

i02582101

Swing Drive Oil Level - Check

SMCS Code: 5459-535-FLV

WARNING

Hot oil and hot components can cause personal injury. Do not allow hot oil or hot components to contact skin.

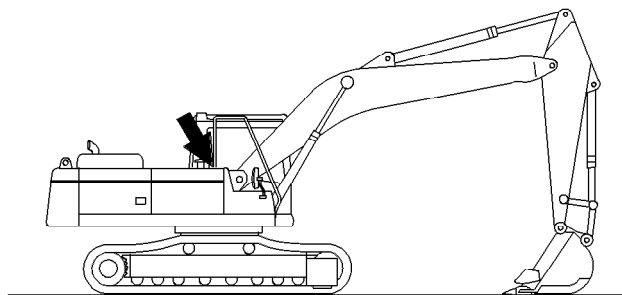


Illustration 437

g00101622

The dipstick for the swing drive oil is on the swing drive at the rear base of the boom.

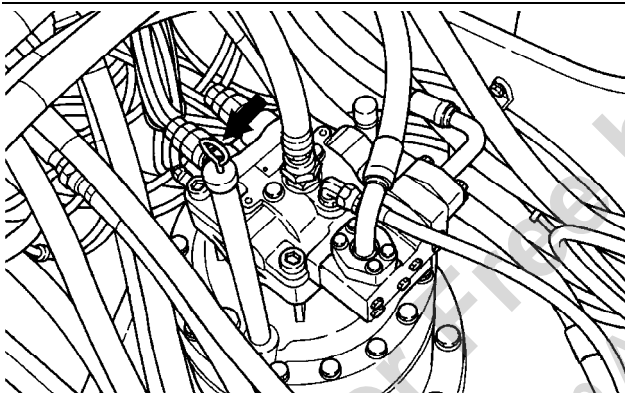


Illustration 438

g00684917

1. Remove the dipstick.



Illustration 439

g01049757

Note: Refer to Operation and Maintenance Manual, "General Hazard Information" for information that pertains to Containing Fluid Spillage.

2. Check the dipstick. Maintain the oil level between the marks on the dipstick. Add oil through the dipstick tube, if necessary. Refer to Operation and Maintenance Manual, "Lubricant Viscosities" when you select an oil. If the oil level is above the "FULL" line, then remove oil from the system. Restore the oil to the correct level position.
3. Insert the dipstick.

i03954073

Swing Drive Oil Sample - Obtain

SMCS Code: 5459-OC; 5459-554-OC; 5459-008;
 5459-008-OC; 7542-008

WARNING

Hot oil and hot components can cause personal injury. Do not allow hot oil or hot components to contact skin.

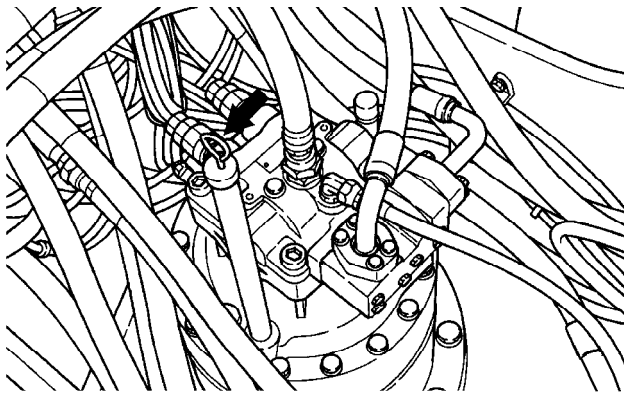


Illustration 440

g00684917

Obtain an oil sample of the swing drive oil through the opening for the dipstick. Refer to Special Publication, SEBU6250, "S-O-S Oil Analysis" for information that pertains to obtaining an oil sample from the swing drive housing. Refer to Special Publication, PEGJ0047, "How To Take A Good Oil Sample" for more information about obtaining an oil sample from the swing drive housing.

i04607289

Swing Gear - Lubricate

SMCS Code: 7063-086

Note: Refer to Special Publication, SEBU6250, "Caterpillar Machine Fluids Recommendations" for more information on grease.

NOTICE

Improper lubrication can cause damage to machine components.

To avoid damage, make sure that the proper amount of grease is applied to the swing drive.

When the amount of grease in the compartment becomes too large, the agitation loss becomes large, thereby accelerating grease deterioration.

Grease deterioration can cause damage to the pinion gear of the swing drive and swing internal gear.

Not enough grease will result in poor gear lubrication.

Remove the inspection cover that is located near the boom base. Inspect the grease.

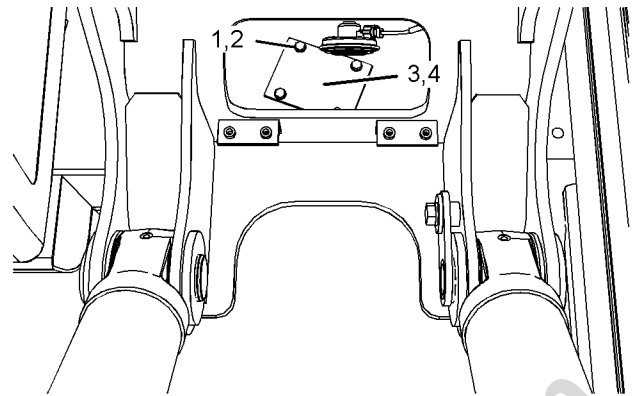


Illustration 441

g02723118

Typical example

- (1) Bolts
- (2) Washers
- (3) Cover
- (4) Gasket

1. Remove bolts (1) and washers (2). Remove cover (3) and gasket (4).
2. Inspect gasket (4). Replace the gasket if damage is evident.

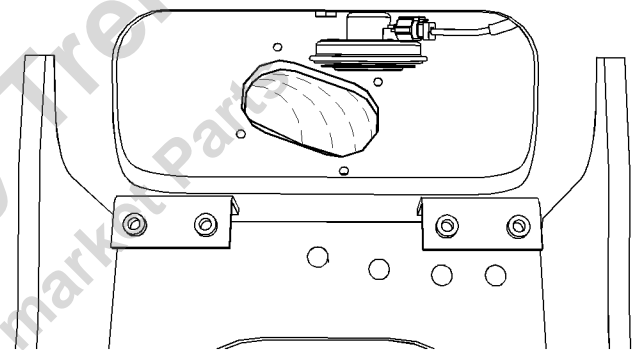


Illustration 442

g02723116

Typical example

3. Check the level of grease. The level of grease is correct when:
 - Waves of grease are present from the rotating swing drive pinion.
 - The grease is evenly distributed on the floor of the pan.

Note: Smearred or waveless areas are evidence for a lack of grease.

Maintenance Section
Track Adjustment - Adjust

Note: Add grease, as needed. Remove grease, as needed. Too much grease will result in the deterioration of the grease because of excessive movement of the grease. Too little grease will result in poor lubrication of the swing gear.

Refer to Operation and Maintenance Manual, "Capacities (Refill)" for the size of the pan.

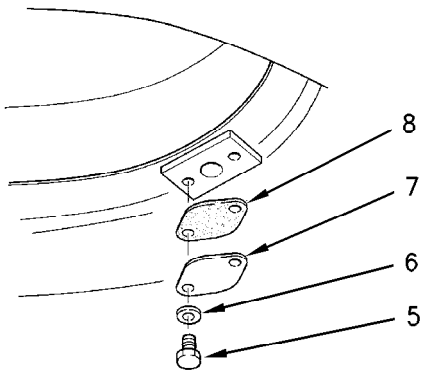


Illustration 443

g00688063

- (5) Bolts
- (6) Washers
- (7) Cover
- (8) Gasket

4. Check for contamination and for discolored grease.
5. If the grease is contaminated or discolored with water, change the grease. Remove bolts (5), washers (6), cover (7), and gasket (8) in order to allow the water to drain. When you reinstall cover (7), inspect gasket (8). Replace the gasket if damage is evident.

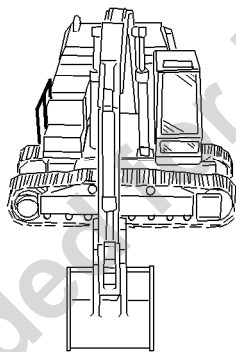


Illustration 444

g00101644

6. Raise the boom and turn the upper structure by 1/4 turn. Lower the bucket to the ground.

7. Repeat Step 6 at every 1/4 turn in four places. Add grease, as needed.
8. Install gasket (4), cover (3), washers (2), and bolts (1).

i05647259

Track Adjustment - Adjust

SMCS Code: 4170-025

WARNING

Personal injury or death can result from grease under pressure.

Grease coming out of the relief valve under pressure can penetrate the body causing injury or death.

Do not watch the relief valve to see if grease is escaping. Watch the track or track adjustment cylinder to see if the track is being loosened.

Loosen the relief valve one turn only.

If track does not loosen, close the relief valve and contact your Caterpillar dealer.

NOTICE

Keeping the track properly adjusted will increase the service life of the track and drive components.

Note: The track tension must be adjusted according to the current operating conditions. Keep the track as slack as possible if the soil is heavy.

Measuring Track Tension

1. Operate the machine in the direction of the idlers.

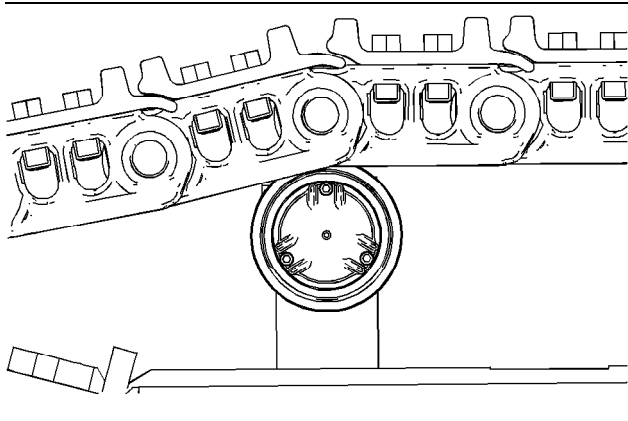


Illustration 445

g01103855

2. Stop with one track pin directly over the front carrier roller. Park the machine and turn off the engine.

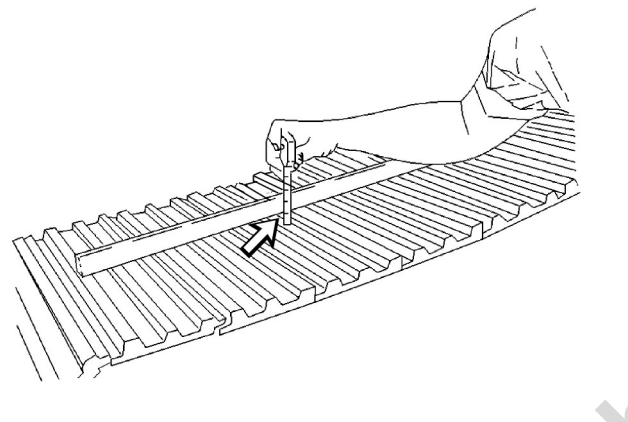


Illustration 446

g03472827

3. Place a straight edge on top of the track grousers between the front carrier roller and the idler. The straight edge should be long enough to reach from the front carrier roller to the idler.

Note: If your machine is equipped with three carrier rollers, place a straight edge on the tracks between the carrier rollers. The straight edge should be long enough to reach from one carrier roller to another carrier roller.

4. Measure the maximum amount of sag in the track. The sag is measured from the highest point of the track grouser to the bottom of the straight edge. A track that is properly adjusted will have a sag of 40.0 to 55.0 mm (1.57 to 2.17 inch).

5. If the track is too tight, or if the track is too loose, adjust the track tension according to the appropriate procedure below.

Adjusting Track Tension

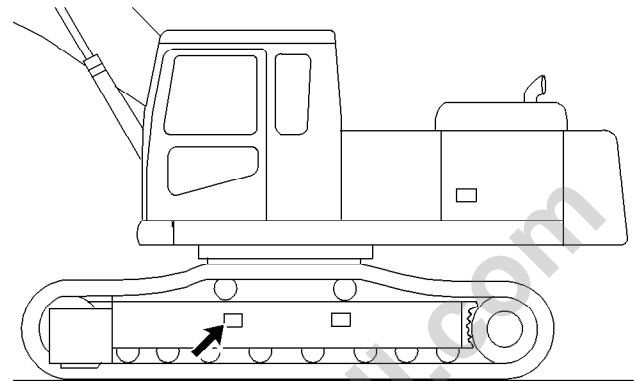


Illustration 447

g00270405

Typical example

The track adjuster is located on the track frame.

Tightening the Track

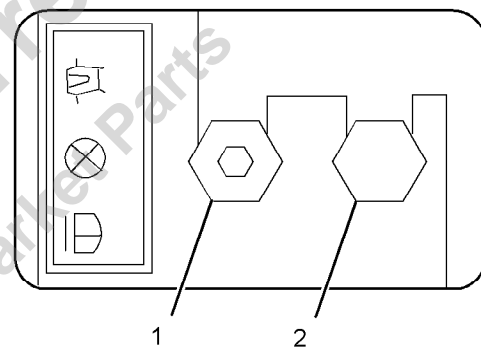


Illustration 448

g01091134

- (1) Grease fitting
- (2) Relief valve

Wipe the fitting before you add grease.

1. Add grease through grease fitting (1) until the correct track tension is reached.
2. Operate the machine back and forth in order to equalize the pressure.
3. Check the amount of sag. Adjust the track, as needed.

Loosening the Track

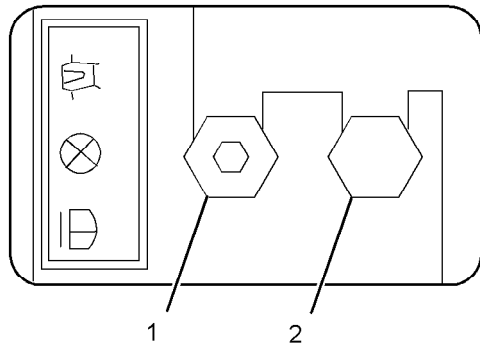


Illustration 449

g01091134

- (1) Grease fitting
(2) Relief valve

1. Loosen relief valve (2) carefully until the track begins to loosen. One turn should be the maximum.
2. Tighten relief valve (2) to $34 \pm 5 \text{ N}\cdot\text{m}$ ($25 \pm 4 \text{ lb ft}$) when the desired track tension is reached.
3. Operate the machine back and forth in order to equalize the pressure.
4. Check the amount of sag. Adjust the track, as needed.

i01590290

Track Adjustment - Inspect

SMCS Code: 4170-040

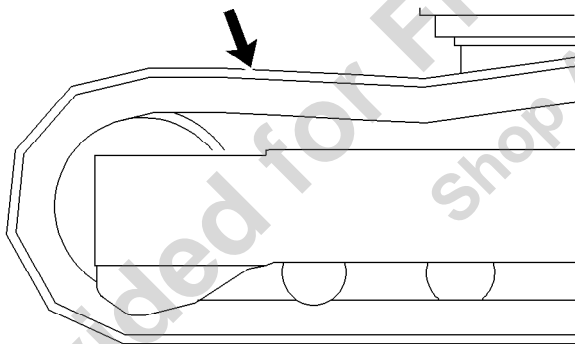


Illustration 450

g00824541

Check the track adjustment. Check the track for wear and for excessive dirt buildup.

If the track appears to be too tight or too loose, refer to Operation and Maintenance Manual, "Track Adjustment - Adjust".

i05182562

Travel Alarm - Test (If Equipped)

SMCS Code: 7429-081

You must move the machine in order to test the travel alarm.

1. Start the engine. Move the hydraulic lockout control to the UNLOCKED position.
2. Raise the work tool in order to avoid any obstacles. Make sure that there is adequate overhead clearance.

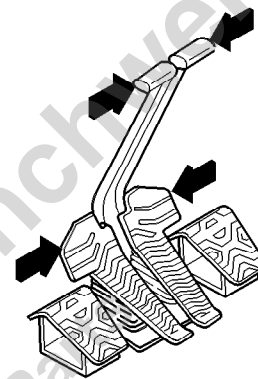


Illustration 451

g00560313

3. Use the travel levers or the travel pedals to move the machine forward. The travel alarm should sound.
4. Release the travel levers and the travel pedals in order to stop the machine.
5. Use the travel levers and the travel pedals to move the machine backward. The travel alarm should sound.

i01458697

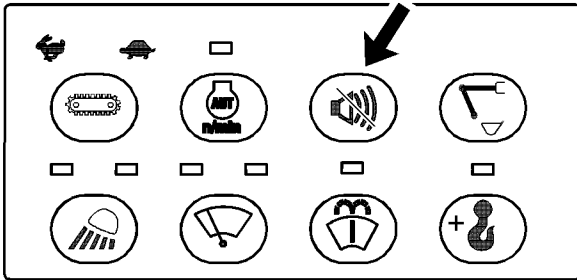


Illustration 452

g03322920

6. Push the alarm cancel switch. The travel alarm should shut off.
7. Stop the machine. Lower the work tool to the ground. Move the Hydraulic lockout control to the LOCKED position. Stop the engine.

i03934011

Undercarriage - Check

SMCS Code: 4150-535

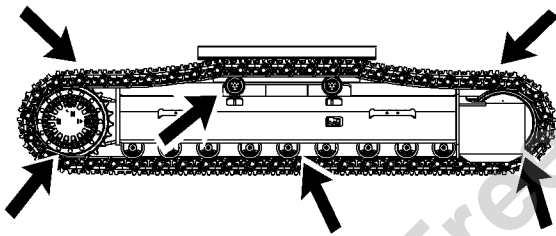


Illustration 453

g02154815

1. Check the carrier rollers, the track rollers, and the idler wheels for possible leakage.
2. Check the surface of the track, the carrier rollers, the track rollers, the idler wheels, the track shoes, and the drive sprockets. Look for signs of wear and loose mounting bolts.
3. Listen for any abnormal noises while you are moving slowly in an open area.
4. If abnormal wear exists or abnormal noises or leaks are found, consult your Caterpillar dealer.

Window Washer Reservoir - Fill

SMCS Code: 7306-544-KE

NOTICE

When operating in freezing temperatures, use Caterpillar or any commercially available nonfreezing window washer solvent.

1. Open the access door on the left side of the machine.

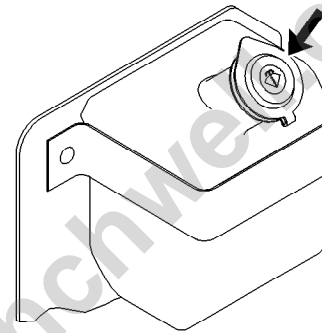


Illustration 454

g00688996

2. Remove the filler cap.
3. Fill the window washer reservoir with washer fluid through the filler opening.
4. Install the filler cap.
5. Close the access door.

i01258249

Window Wiper - Inspect/ Replace

SMCS Code: 7305-040; 7305-510

Inspect the condition of the wiper blades. Replace the wiper blades if the wiper blades are worn or damaged or if streaking occurs.

i03912371

Windows - Clean

SMCS Code: 7310-070; 7340-070

Clean the outside of the windows from the ground, unless handholds are available.

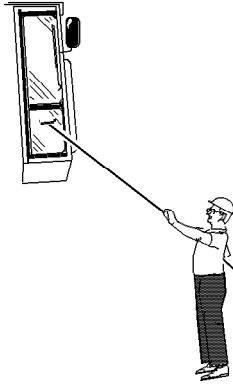


Illustration 455

g00566124

Typical example

Cleaning Methods

Aircraft Window Cleaner

Apply the cleaner with a soft cloth. Rub the window with moderate pressure until all the dirt is removed. Allow the cleaner to dry. Wipe off the cleaner with a clean soft cloth.

Soap and Water

Use a clean sponge or a soft cloth. Wash the windows with a mild soap or with a mild detergent. Also use plenty of lukewarm water. Rinse the windows thoroughly. Dry the windows with a moist chamois or with a moist cellulose sponge.

Stubborn Dirt and Grease

Wash the windows with a good grade of naphtha, of isopropyl alcohol, or of Butyl Cellosolve. Then, wash the windows with soap and with water.

Polycarbonate Windows (If equipped)

Wash polycarbonate windows with a mild soap or detergent. Never use a cleaning solvent on polycarbonate windows.

Wash polycarbonate windows with warm water and a soft sponge, or damp cloth. Never use a dry cloth or paper towels on polycarbonate windows.

Rinse the windows with a sufficient amount of clean water.

Warranty Section

Warranty Information

i06044323

Emissions Warranty Information

SMCS Code: 1000

The certifying engine manufacturer warrants to the ultimate purchaser and each subsequent purchaser that:

1. New non-road diesel engines and stationary diesel engines less than 10 liters per cylinder (including Tier 1 and Tier 2 marine engines < 37 kW, but excluding locomotive and other marine engines) operated and serviced in the United States and Canada, including all parts of their emission control systems ("emission related components"), are:
 - a. Designed, built, and equipped so as to conform, at the time of sale, with applicable emission standards prescribed by the United States Environmental Protection Agency (EPA) by way of regulation.
 - b. Free from defects in materials and workmanship in emission-related components that can cause the engine to fail to conform to applicable emission standards for the warranty period.
2. New non-road diesel engines (including Tier 1 and Tier 2 marine propulsion engines < 37 kW and Tier 1 through Tier 4 marine auxiliary engines < 37 kW, but excluding locomotive and other marine engines) operated and serviced in the state of California, including all parts of their emission control systems ("emission related components"), are:
 - a. Designed, built, and equipped so as to conform, at the time of sale, to all applicable regulations adopted by the California Air Resources Board (ARB).
 - b. Free from defects in materials and workmanship which cause the failure of an emission-related component to be identical in all material respects to the component as described in the engine manufacturer's application for certification for the warranty period.

3. New non-road diesel engines installed in construction machines conforming to the South Korean regulations for construction machines manufactured after January 1, 2015, and operated and serviced in South Korea, including all parts of their emission control systems ("emission related components"), are:
 - a. Designed, built, and equipped so as to conform, at the time of sale, with applicable emission standards prescribed in the Enforcement Rule of the Clean Air Conservation Act promulgated by South Korea MOE.
 - b. Free from defects in materials and workmanship in emission-related components that can cause the engine to fail to conform to applicable emission standards for the warranty period.

The aftertreatment system can be expected to function properly for the lifetime of the engine (emissions durability period) subject to prescribed maintenance requirements being followed.

A detailed explanation of the Emission Control Warranty that is applicable to new non-road and stationary diesel engines, including the components covered and the warranty period, is found in a supplemental Special Publication. Consult your authorized Cat dealer to determine if your engine is subject to an Emission Control Warranty and to obtain a copy of the applicable Special Publication.

Reference Information Section

Reference Materials

i05805863

Reference Material

SMCS Code: 1000; 7000

Caterpillar Reference Material

The following literature can be obtained from any Cat dealer:

Special Publication, PEGJ0046, "Understanding S·O·S Services Test"

Special Publication, PEGJ0047, "How to Take a Good Oil Sample"

Special Publication, SEBD0640, "Oil and Your Engine"

Special Publication, PEHJ0191, "S·O·S Fluid Analysis"

Service Magazine, PEHJ0192, "Optimizing Oil Change Intervals"

Special Publication, PMEP5027, "Extended Life Coolant/Antifreeze Label"

Special Publication, SEBD0518, "Know Your Cooling System"

Special Publication, SEBD0970, "Coolant and Your Engine"

Special Publication, SEBD0717, "Diesel Fuels and Your Engine"

Special Publication, SEBU6250, "Caterpillar Machine Fluids Recommendations"

Special Publication, PEWJ0074, "Caterpillar Filter and Fluid Application Guide"

Special Publication, SELF9001, "Federal Emission Control Warranty and Emission Control Warranty for California"

Special Publication, NENG2500, "Caterpillar Dealer Service Tool Catalog"

Special Instruction, SEHS7633, "Battery Test Procedure"

Special Instruction, SEHS9031, "Storage Procedure for Caterpillar Products"

Special Instruction, SEHS7332, "Warning Tag - Danger Do Not Operate"

Specifications, SENR3130, "Torque Specifications"

Special Instruction, REHS2365, "An Installation Guide for the Product Link PL121SR and for the PL300"

System Operation, Troubleshooting, Testing and Adjusting, RENR7911, "Product Link 121SR/321SR"

System Operation, RENR8068, "D Series Monitor"

Service Parts, PECP9067, "One Safe Source"

Service Magazine, SEHS6929, "Inspection, Maintenance, and Repair of ROPS and Attachment Installation Guidelines"

Service Manual, UENR4125, "Air Conditioning and Heating R-134a for All Caterpillar Machines"

Service Manual, SENR5664, "Air Conditioning and Heating R-134a for All Caterpillar Machines"

Operation and Maintenance Manual, SEBU5898, "Cold Weather Recommendations for all Caterpillar Machines"

Systems Operation, Troubleshooting, Testing and Adjusting, RENR8143, "Product Link - PL522/523"

Special Instruction, REHS2368, "Installation Procedure For Product Link PL522/523 (Cellular)"

Operation and Maintenance Manual, SEBU8142, "Product Link - 121SR/522/523"

Operation and Maintenance Manual, SEBU8257, "The European Union Physical Agents (Vibration) Directive 2002/44/EC"

Special Instruction, REHS0354, "Charging System Troubleshooting"

Special Instruction, REHS2348, "Product Link PL121SR System"

Operation and Maintenance Decal, SMEU7397, "Hydraulic Hammer"

Operation and Maintenance Manuals are available in other languages. Consult your Cat dealer for information about obtaining these Operation and Maintenance Manuals.

Additional Reference Material

ASTM D2896, "TBN Measurements" This can normally be obtained from your local technological society, from your local library, or from your local college.

SAE J183, "Classification" This can normally be found in the SAE handbook.

SAE J313, "Diesel Fuels" This publication can be found in the SAE handbook. This publication can also be obtained from your local technological society, from your local library, or from your local college.

SAE J754, "Nomenclature" This can normally be found in the SAE handbook.

Engine Manufacturers Association, "Engine Fluids Data Book"

Engine Manufacturers Association
Two North LaSalle Street, Suite 2200
Chicago, IL, USA 60602
E-mail: ema@enginemanufacturers.org
(312) 827-8700
Facsimile: (312) 827-8737

i03989612

Decommissioning and Disposal

SMCS Code: 1000; 7000

When the product is removed from service, local regulations for the product decommissioning will vary. Disposal of the product will vary with local regulations. Consult the nearest Cat dealer for additional information.

Provided for Free by Trenchwell.com
Shop Aftermarket Parts

Index

A

Access Door and Cover Locations.....	203
Engine Hood.....	203
Left Front Access Door.....	203
Left Rear Access Door.....	203
Right Access Door.....	203
Additional Messages.....	15
Air Conditioner/Cab Heater Filter (Recirculation) - Inspect/Replace.....	218
Air Conditioning and Heating Control....	134, 136
English Versus Metric Toggle.....	136, 139
Alternate Exit.....	88
Hammer.....	88
Rear Window with Lever (If Equipped).....	88
Rear Window with Ring Seal (If Equipped).....	88

B

Battery - Clean.....	218
Battery - Recycle.....	218
Battery Disconnect Switch.....	104
Battery Electrolyte Level - Check.....	218
Battery Hold-Down - Tighten.....	219
Battery or Battery Cable - Inspect/Replace...	219
Before Operation.....	30, 85
Before Starting Engine.....	30
Belt - Inspect/Adjust/Replace.....	219
Air Conditioner Belt (If Equipped).....	220
Water Pump Belt, Fan Drive Belt, and Alternator Belt.....	220
Boom and Stick Linkage - Lubricate.....	221
Boom, Stick and Bucket Operation.....	168
Digging.....	168
Lifting Objects.....	169
Boom/Stick/Bucket Combinations.....	48
Bucket - Remove and Install.....	179
Bolted Flag.....	181
Captured Flag.....	179
Crossbolt.....	182
Bucket Linkage - Inspect/Adjust.....	222
Bucket Linkage - Lubricate.....	223
Bucket Tips - Inspect/Replace.....	227
Bucket Tips.....	227
Side Cutters.....	229
Side Protectors (If Equipped).....	229
Bucket Tips - Inspect/Replace (Drive- through System).....	223

Bucket Tips.....	223
Side Cutters (If Equipped).....	225
Side Protectors (If Equipped).....	226
Burn Prevention.....	25
Batteries.....	25
Coolant.....	25
Oils.....	25

C

Cab Air Filter (Fresh Air) - Clean/Replace ..	230– 231
Cab Door.....	143
Cab Visor (If Equipped).....	142
Camera.....	108
Rear View Camera (If Equipped).....	108
Camera - Clean/Adjust.....	232
Adjust the Area of Visibility.....	232
Clean Camera Lens.....	232
Capacities (Refill).....	209
Circuit Breakers - Reset.....	233
Condenser (Refrigerant) - Clean.....	233
Cooling System Coolant (ELC) - Change.....	234
Cooling System Coolant Extender (ELC) - Add.....	236
Cooling System Coolant Level - Check.....	237
Cooling System Coolant Sample (Level 1) - Obtain.....	238
Cooling System Coolant Sample (Level 2) - Obtain.....	239
Crushing Prevention and Cutting Prevention..	24

D

Daily Inspection.....	85
Daily Basis.....	86
First 100 Hours.....	85
Severe Applications.....	86
Declaration of Conformity.....	84
Decommissioning and Disposal.....	287

E

Electrical Storm Injury Prevention.....	29
Emissions Certification Film.....	83
Emissions Warranty Information.....	285
Engine Air Filter Primary Element - Clean/ Replace.....	239
Cleaning Primary Air Filter Elements.....	240

Inspecting the Primary Air Filter Elements	241	Fuel System - Prime	248
Engine Air Filter Secondary Element - Replace	241	Fuel System Fourth Filter - Replace (If Equipped)	248
Engine and Machine Warm-Up	157–158	Fuel System Primary Filter (Water Separator) Element - Replace	249
Hydraulic System	158	Fuel System Secondary Filter - Replace	251
Turbo Protection	159	Fuel System Third Filter - Replace	252
Engine Crankcase Breather - Clean	242	Fuel System Water Separator - Drain	252
Engine Oil and Filter - Change	244	Fuel Tank Cap and Strainer - Clean	253
Engine Oil Level - Check	242	Fuel Tank Shutoff and Drain Control	155
Engine Oil Sample - Obtain	244	Fuel Tank Water and Sediment - Drain	253
Engine Starting	30, 156	Fuel Transfer Pump (Refueling) (If Equipped)	129
Engine Starting (Alternate Methods)	200	Excavator with Demolition Cab (If Equipped)	130
Engine Starting with Auxiliary Start Receptacle (If Equipped)	201	Fuses - Replace	254
Engine Starting with Jump Start Cables (If Equipped)	200	Relays	255
Engine Stopping	33		
Engine Valve Lash - Check	246	G	
Equipment Lowering with Engine Stopped	35, 161	General Hazard Information	22
Machine with a Boom Lowering Control Valve	163	Containing Fluid Spillage	23
Machine without a Boom Lowering Control Valve	161	Dispose of Waste Properly	24
		Fluid Penetration	23
		Inhalation	24
		Pressurized Air and Water	23
		Trapped Pressure	23
F		General Information	40
Final Drive Oil - Change	246	Guards	38
Final Drive Oil Level - Check	246	Guards (Operator Protection)	
Final Drive Oil Sample - Obtain	247	Other Guards (If Equipped)	39
Final Drive Ring Gear Removal	198	Rollover Protective Structure (ROPS), Falling Object Protective Structure (FOPS) or Tip Over Protection Structure (TOPS)	38
Fire Extinguisher Location	29		
Fire Prevention and Explosion Prevention	26	H	
Battery and Battery Cables	27	Hammer Operation (If Equipped)	185
Ether	28	High Intensity Discharge Lamp (HID) - Replace (If Equipped)	256
Fire Extinguisher	28	Hydraulic System Oil - Change	256
General	26	Cat HYDO Advanced Oil Change Interval	256
Lines, Tubes, and Hoses	28	Procedure to Change the Hydraulic Oil	256
Wiring	27	Hydraulic System Oil Filter (Case Drain) - Replace	261
Fire Safety	28	Hydraulic System Oil Filter (Pilot) - Replace	262
Foreword	4	Hydraulic System Oil Filter (Return) - Replace	264
California Proposition 65 Warning	4	Hydraulic System Oil Level - Check	268
Certified Engine Maintenance	5	Hydraulic System Oil Sample - Obtain	269
Literature Information	4		
Machine Capacity	5		
Maintenance	4		
Operation	4		
Product Identification Number	5		
Safety	4		
Freezing Conditions	187		
Frozen Ground Conditions	161		

Hydraulic Tank Screen - Clean.....	269	Maintenance Interval Schedule.....	215
I		Every 10 Service Hours or Daily.....	215
Identification Information.....	82	Every 10 Service Hours or Daily for First 100 Hours.....	215
Important Safety Information.....	2	Every 10 Service Hours or Daily for Machines Used in Severe Applications.....	216
Indicators and Gauges - Test.....	271	Every 100 Service Hours of Continuous Hammer Use.....	216
J		Every 100 Service Hours or 2 Weeks.....	216
Joystick Controls.....	146	Every 1000 Service Hours of Partial Hammer Use (50% of Service Hours).....	217
Joystick Controls (Medium Pressure (If Equipped)).....	145	Every 1000 Service Hours or 6 Months.....	217
Rotating Tool Control.....	145	Every 12 000 Service Hours or 6 Years.....	217
Joystick Controls Alternate Patterns.....	149, 152	Every 2000 Service Hours or 1 Year.....	217
Changing Machine Control Pattern By Four- Way Valve (If Equipped).....	149, 152	Every 250 Service Hours.....	216
Changing Machine Control Pattern by Two- Way Valve (If Equipped).....	151, 154	Every 250 Service Hours for Machines Used in Severe Applications.....	216
L		Every 250 Service Hours of Continuous Hammer Use.....	216
Leaving the Machine.....	189	Every 250 Service Hours of Partial Hammer Use (50% of Service Hours).....	216
Lifting and Tying Down the Machine.....	194	Every 250 Service Hours or Monthly.....	216
Additional Method (If Equipped).....	195	Every 3 Years After Date of Installation or Every 5 Years After Date of Manufacture.....	217
Lifting the Machine Segments.....	196	Every 50 Service Hours or Weekly.....	216
Preferred Method.....	194	Every 500 Service Hours.....	216
Lifting Capacities.....	49	Every 500 Service Hours of Partial Hammer Use (50% of Service Hours).....	217
Lifting Objects.....	33	Every 500 Service Hours or 3 Months.....	216
Lubricant Viscosities (Fluids Recommendations).....	204	Every 600 Service Hours of Continuous Hammer Use.....	217
Biodiesel.....	209	Every 6000 Service Hours or 3 Years.....	217
Coolant Information.....	209	Every Year.....	217
Diesel Fuel Recommendations.....	208	Initial 250 Service Hours.....	216
Engine Oil.....	204	Initial 500 Hours (for New Systems, Refilled Systems, and Converted Systems).....	216
Fuel Additives.....	209	When Required.....	215
General Information for Lubricants.....	204	Maintenance Section.....	203
Hydraulic Systems.....	205	Maintenance Support.....	211
Other Fluid Applications.....	206	Mirror (If Equipped).....	140
Selecting the Viscosity.....	204	Mirror Adjustment.....	141
Special Lubricants.....	207	Mirror Installation.....	193
Lubricant Viscosities and Refill Capacities ...	204	Monitoring System.....	108
M		Adjusting the Brightness.....	119
Machine Operation.....	88	Adjusting the Clock.....	116
Machine Security System (If Equipped).....	106	Adjusting the Contrast.....	119
Basic Operation.....	107	Adjusting the Monitor.....	112
Operation Section.....	106	Changing the Password.....	121
Regulatory Compliance Section.....	107	Display Setup.....	115
Security Management.....	107	Economy Mode Select (If Equipped).....	122
Maintenance Access.....	203		

Filter and Fluid Information.....	121	Light Switch (20).....	102
Indicated Item.....	118	Lower Window Wiper and Window Washer (22-23).....	102
Language Selection.....	117	Monitor (5).....	98
Machine Warnings.....	110	Operator's Seat (10).....	99
Main Menu.....	112	Overload Warning Device (26) (If Equipped).....	103
Maintenance.....	120	Quick Coupler Control (21).....	102
Maintenance Information.....	113	Radio (11).....	99
Other Messages.....	112	Seat Heater (24).....	103
Password Entry.....	115	Service Hour Meter (4).....	98
Performance.....	114	Service Port.....	104
Power Mode Select(If Equipped).....	123	Travel Alarm Cancel Switch (15).....	101
Prestart Monitoring Function.....	109	Travel Controls (3).....	96
Rear View Camera System (If Equipped).....	123	Travel Speed Control (13).....	100
Selecting the Work Tool.....	116	Upper Window Wiper and Window Washer (18-19).....	101
Service.....	114	Work Tool Control (16).....	101
Setting.....	113	Operator Station.....	38
Mounting and Dismounting.....	85	Overload Warning Device.....	108
Alternate Exit.....	85		
Machine Access System Specifications.....	85		
O		P	
Oil Filter - Inspect.....	273	Parking.....	33, 187
Inspect a Used Filter for Debris.....	273	Plate Locations and Film Locations.....	82
Oil Filter (Hydraulic Hammer) - Replace (If equipped).....	271	Engine Serial Number.....	83
Operating Technique Information.....	164	Product Identification Number (PIN) and CE Plate.....	82
Operating Precaution.....	166	Sound Certification Film.....	83
Restricted Operation.....	164	Power Receptacle (If Equipped).....	106
Operating Techniques.....	164	Product Information Section.....	40
Operation.....	31, 160	Product Link.....	105
Limiting Conditions and Criteria.....	31	Data Broadcasts.....	105
Machine Operating Temperature Range.....	31	Operation in a Blast Site for Product Link Radios.....	106
Machine Operation.....	32		
Machine Operation when the Machine is not Completely Assembled.....	33	Q	
Operation Information.....	160	Quick Coupler - Lubricate (If Equipped).....	273
Lifting Objects.....	161	Quick Coupler Operation (Hydraulic Pin Grabber Quick Coupler (If Equipped)).....	170
Operation Section.....	85	General Operation.....	171
Operator Controls.....	94	Quick Coupler Operation.....	171
Air Conditioning and Heating Control (1a - 1b).....	96	R	
Automatic Engine Speed Control (14).....	100	Radiator Core - Clean.....	273
Backup Controls (12) (If Equipped).....	99	Radio (If Equipped).....	131
Engine Speed Control (7).....	98	Loss of Memory.....	133
Engine Start Switch (8).....	99	Presetting Radio Stations.....	132
Fine Swing Control (25) (If Equipped).....	103	Radio Reception.....	133
Heavy Lift Control (17).....	101	Scan and Auto Memory.....	133
Hydraulic Lockout Control (2).....	96		
Joystick Controls (6).....	98		

Receiver Dryer (Refrigerant) - Replace	274	Shipping the Machine.....	191
Reference Information Section	286	Shipping a Machine that is not Completely	
Reference Material	286	Assembled	191
Additional Reference Material	286	Slope Operation	34
Caterpillar Reference Material.....	286	Sound Information and Vibration	
Reference Materials	286	Information.....	35
Rollover Protective Structure (ROPS) -		Sound Level Information.....	35
Inspect	275	Sound Level Information for Machines in	
Roof Hatch.....	143	Eurasian Economic Union Countries.....	35
S		Sound Level Information for Machines in	
S·O·S Information	210	European Union Countries and in Countries	
Safety Messages.....	6	that Adopt the “EU Directives”	35
Aerosol Starting Aid (13)	12	Sources.....	38
Crushing Hazard (16)	14	“The European Union Physical Agents	
Crushing Hazard (2)	9	(Vibration) Directive 2002/44/EC”.....	36
Crushing Hazard (20)	15	Specifications	40
Crushing Hazard (3)	9	Intended Use	40
Crushing Hazard (9)	11	Specification Data.....	40
Crushing Injury (6)	10	Super Long Reach.....	47
Do Not Operate (1)	8	Working Ranges	44
Do Not Weld or Drill on ROPS (4)	9	Stopping the Engine	188
Electrical Power Lines (8).....	11	Engine Stop Control	188
High Pressure Cylinder (17)	14	Stop the Engine if an Electrical Malfunction	
High Pressure Gas (14).....	13	Occurs.....	188
Hot Surface (19)	15	Stopping the Machine.....	187
Joystick Controls Alternate Patterns (11)	12	Storage and Literature Compartment (If	
Jump Start Cables (15).....	13	Equipped)	129
Overload Warning Device (10)	11	Storage Box (If Equipped).....	128
Pressurized System (12)	12	Exterior Storage Box	128
Product Link (5)	10	Interior Storage Box.....	128
Relieve Hydraulic Tank Pressure (18).....	14	Swing Bearing - Lubricate	276
Seat Belt (7)	10	Swing Drive Oil - Change	276
Safety Section	6	Swing Drive Oil Level - Check.....	278
Seat	89	Swing Drive Oil Sample - Obtain.....	278
Early Type.....	89	Swing Gear - Lubricate.....	279
Later Type.....	91	System Pressure Release.....	213
Seat Belt.....	92	Coolant System	213
Extension of the Seat Belt	94	Hydraulic System.....	213
Seat Belt Adjustment for Non-Retractable		T	
Seat Belts.....	92	Table of Contents	3
Seat Belt Adjustment for Retractable Seat		Towing Information	197
Belts	94	Towing the Machine.....	197
Seat Belt - Inspect	275	Lightweight Towing	198
Seat Belt - Replace	275	Retrieval and Towing of Machine	198
Securing the Machine.....	191	Track Adjustment - Adjust	280
Transportation Hints for Machines that are		Adjusting Track Tension	281
Equipped with a Long Reach		Measuring Track Tension	280
Configuration	193	Track Adjustment - Inspect.....	282
Service Interval Chart.....	211	Track Information	29
		Transportation Information	191

Travel Alarm - Test (If Equipped).....	282
Travel Control (Straight Travel Pedal (If Equipped))	144
Travel in Water and Mud	166
Procedure for Removing the Machine from Water or Mud	167

U

Undercarriage - Check	283
-----------------------------	-----

V

Visibility Information	31
------------------------------	----

W

Warranty Information.....	285
Warranty Section.....	285
Welding on Machines and Engines with Electronic Controls	213
Window (Front).....	139
Window Washer Reservoir - Fill	283
Window Wiper - Inspect/Replace	283
Windows - Clean	283
Cleaning Methods.....	284
Polycarbonate Windows (If equipped)	284
Work Tool Changing	184
Work Tool Control (One-Way Flow) (Electric Joystick (If Equipped)).....	146
Work Tool Control (One-Way Flow) (If Equipped)	146
Foot Switch	148
Joystick	147
Work Tool Pedal.....	147
Work Tool Control (Two-Way Flow) (If Equipped)	148
Joystick	148
Work Tool Pedal.....	149
Work Tools.....	30

Provided for Free by Trenchwell.com
Shop Aftermarket Parts

Product and Dealer Information

Note: For product identification plate locations, see the section "Product Identification Information" in the Operation and Maintenance Manual.

Delivery Date: _____

Product Information

Model: _____

Product Identification Number: _____

Engine Serial Number: _____

Transmission Serial Number: _____

Generator Serial Number: _____

Attachment Serial Numbers: _____

Attachment Information: _____

Customer Equipment Number: _____

Dealer Equipment Number: _____

Dealer Information

Name: _____ Branch: _____

Address: _____

Dealer Contact

Phone Number

Hours

Sales: _____

Parts: _____

Service: _____

Provided for Free by Trenchwell.com
Shop Aftermarket Parts

Provided for Free by Trenchwell.com
Shop Aftermarket Parts

SEBU8053
©2018 Caterpillar
All Rights Reserved

CAT, CATERPILLAR, LET'S DO THE WORK, their respective logos, "Caterpillar Corporate Yellow", the "Power Edge" and Cat "Modern Hex" trade dress as well as corporate and product identity used herein, are trademarks of Caterpillar and may not be used without permission.

